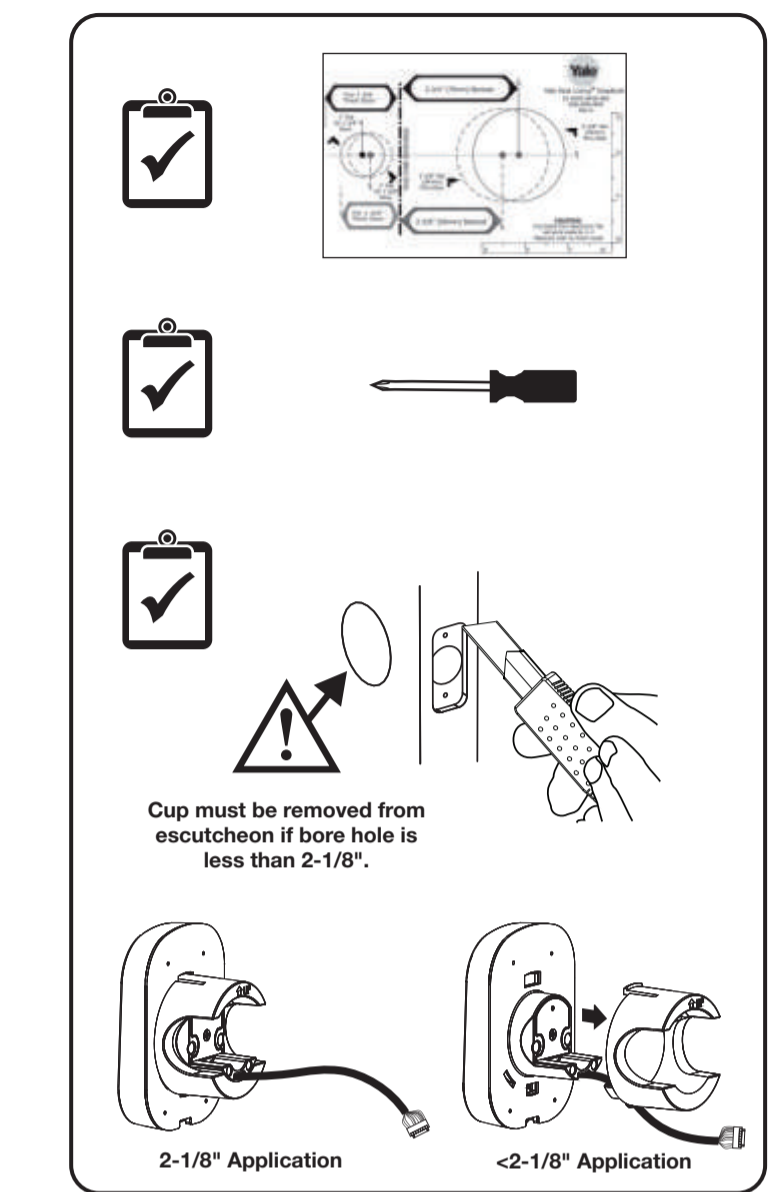
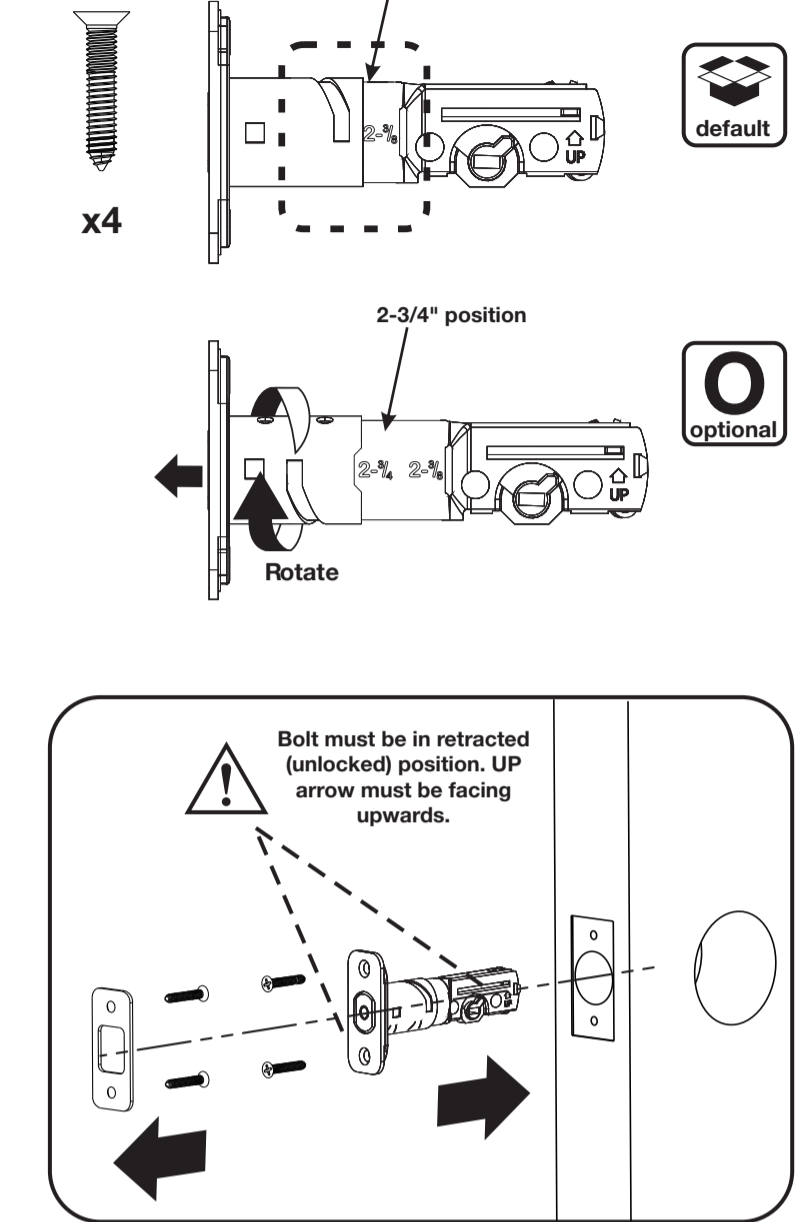


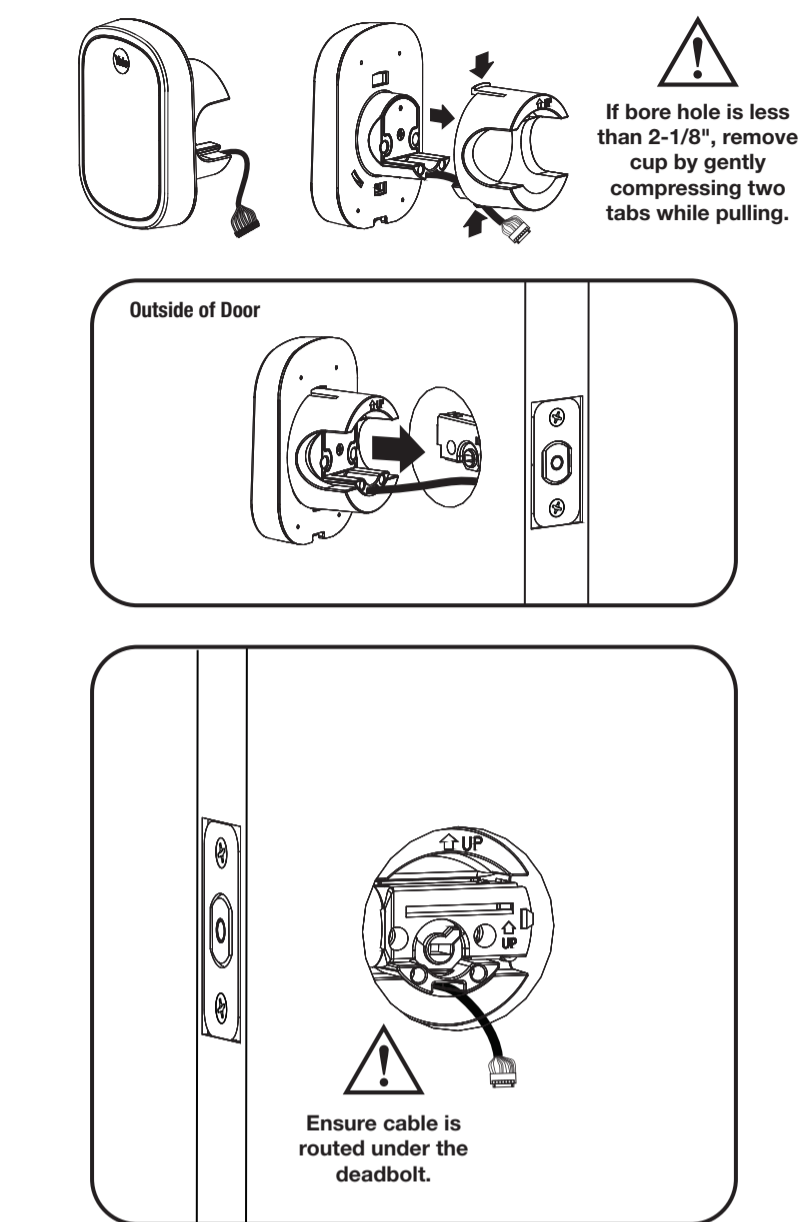
1 Preparing Door and Touchscreen Escutcheon



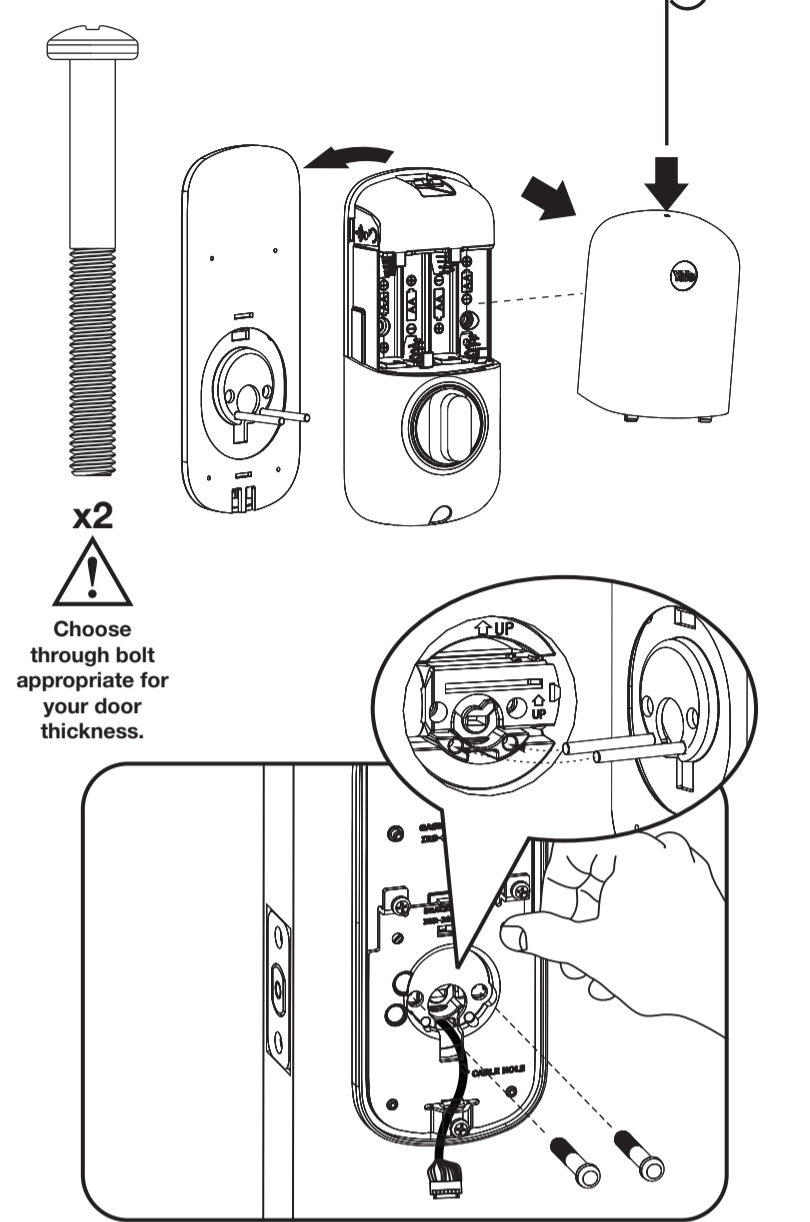
1 Installing Latch & Strike Plate



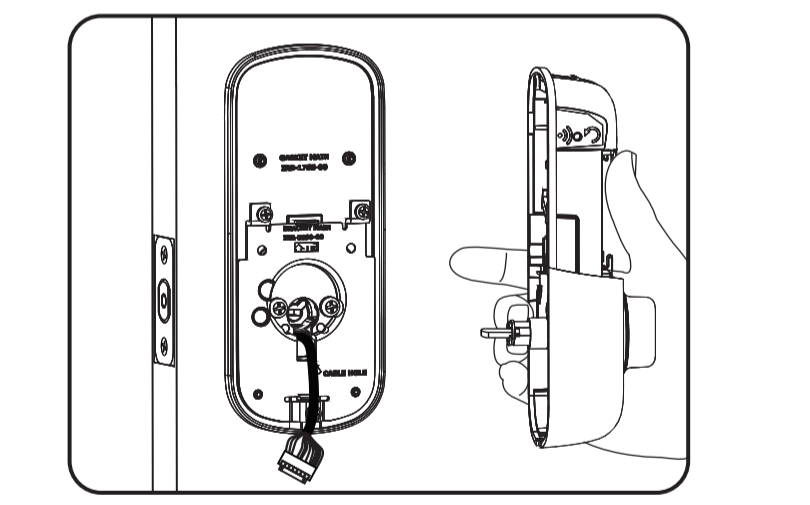
2 Installing Touchscreen Escutcheon



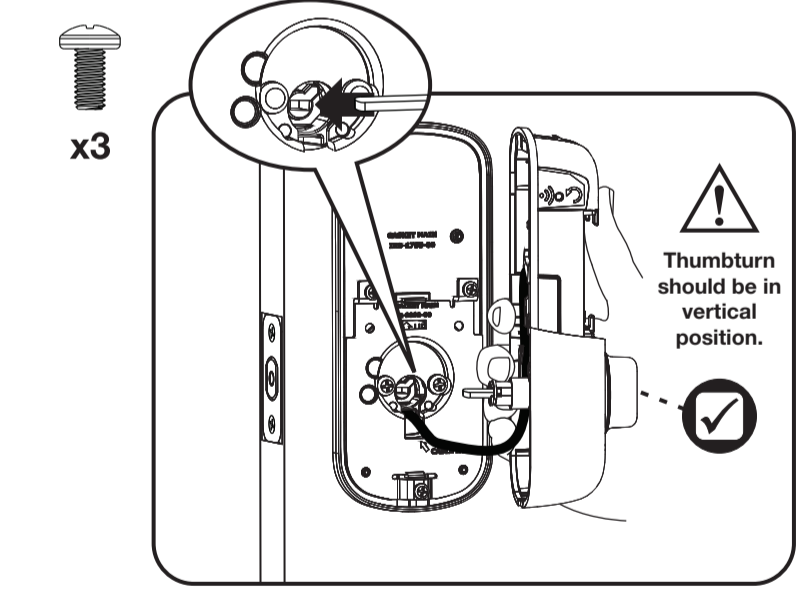
3 Installing Interior Mounting Plate



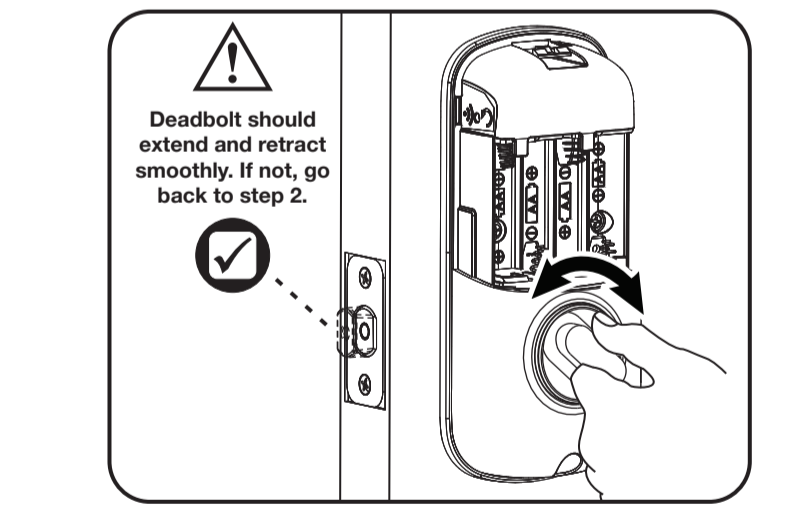
4 Attaching the Cable Assembly



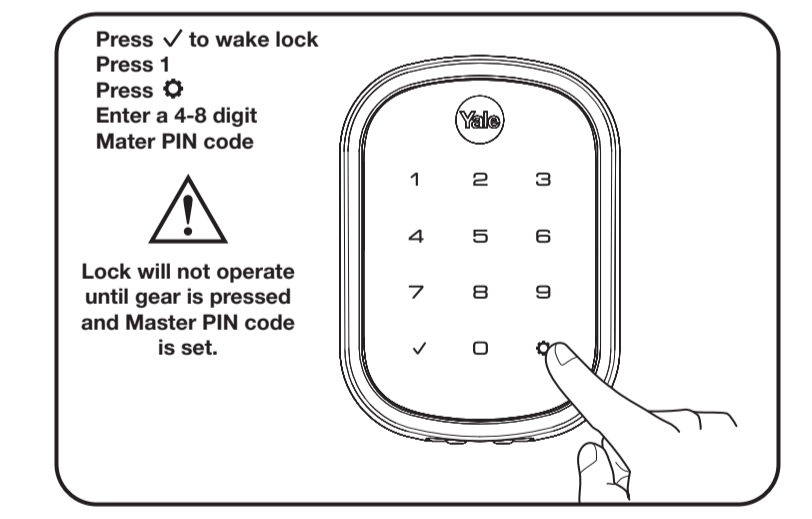
5 Installing Interior Escutcheon



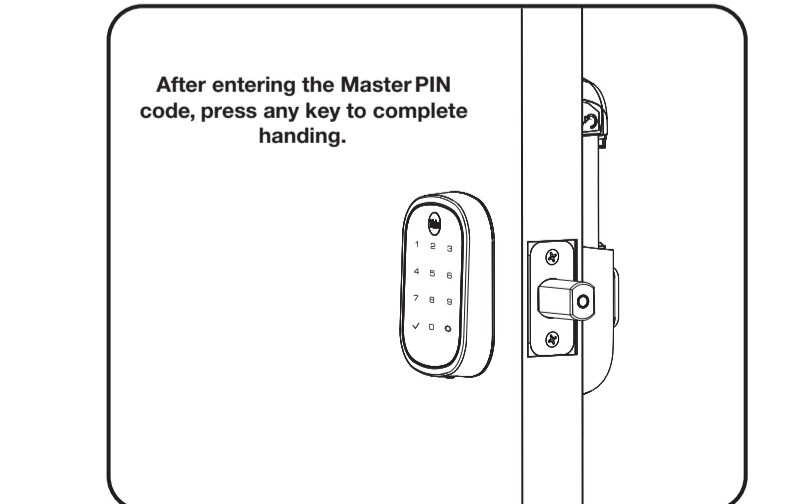
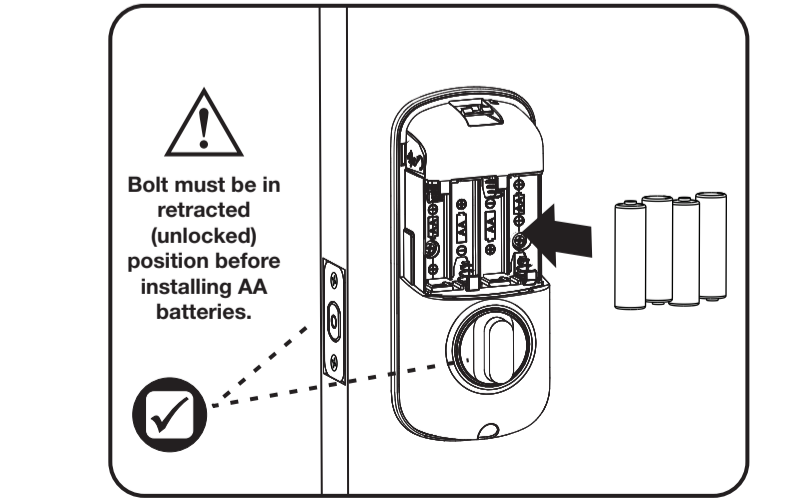
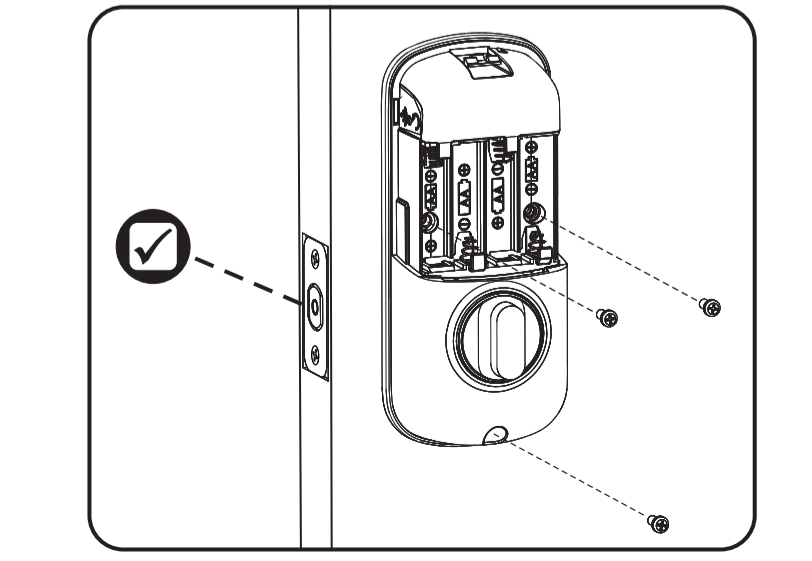
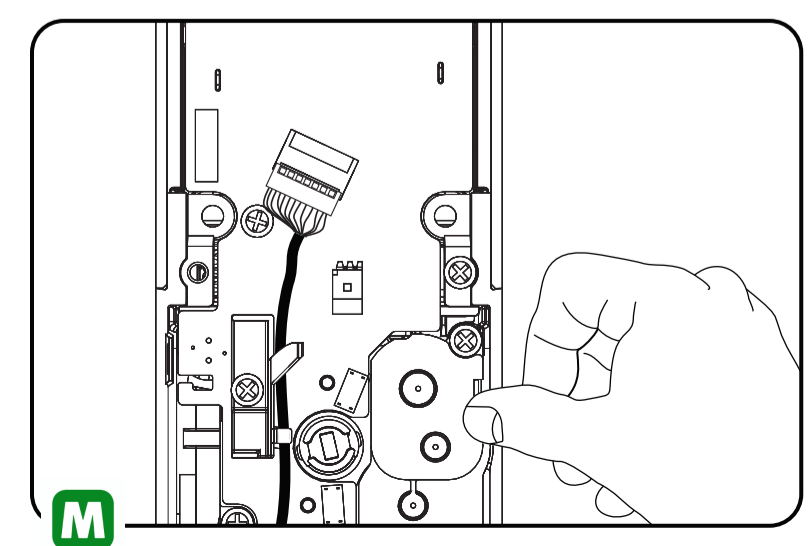
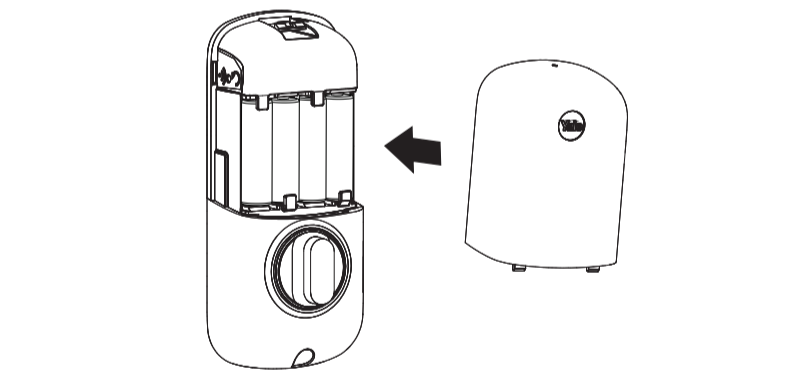
Testing Operation



Initial Programming



6 Installing Cover



Congratulations, you've installed the **Yale Code™ SL** Key-Free Touchscreen Deadbolt (YRD157)! Turn sheet over for Programming Instructions to customize your product.

