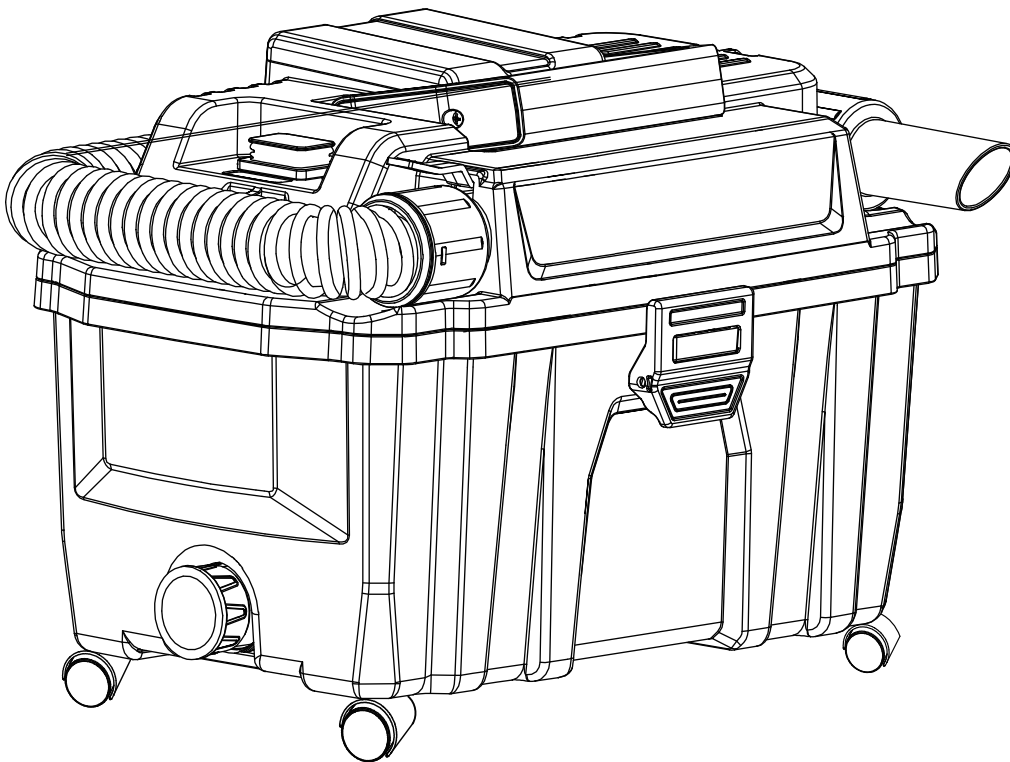


Wet & Dry Vacuum Cleaner User Manual

(Tool only)
Model: AKDW01



Thank you for purchasing this Wet & Dry Vacuum Cleaner. This manual will provide you with the information needed to use this tool safely and effectively.

[support@ecarketools.com]

Important Safety Warnings

1. This product is not intended for use by persons (including children) with reduced physical, sensory, or mental capabilities, or lack of experience and knowledge, unless they have been given supervision or instruction concerning use of the product by a person responsible for their safety. Children should be supervised to ensure that they do not play with the product.
2. The product is intended for household use only.
3. Never vacuum materials such as hot coals, cigarette butts, matches, etc.
4. Do not use without the filter in place.
5. Use extra care when using the product on stairs.
6. Do not use the product to pick up hard objects such as nails, screws, coins, etc. Damage or injury could result.

Safety in Dusty Conditions

1. Wear a face filter mask in dusty conditions to reduce the risk of injury associated with the inhalation of dust.
2. Do not point the blower nozzle in the direction of people or pets.
3. Never place objects inside the nozzle or hose.
4. Do not operate the product near open windows.
5. Slightly dampen surfaces in dusty conditions.
6. Do not place the product on or intake wet loose debris.
7. Do not use the product near roofing where it may cause damage.
8. Do not operate the product with a defective guard, enclosure, or shield.
9. Always be sure of your footing on slopes and walk, never run.
10. Do not touch moving hazardous parts until the product is switched off and all moving parts have come to a complete stop.
11. Always wear substantial footwear and long trousers while operating the product.
12. If the product is dropped, suffers heavy impact or begins to produce unusual noise or vibration, switch it off immediately. Inspect for damage or identify the cause of the vibration. Any damaged parts should be properly repaired or replaced by an authorised service centre.

Battery Safety

1. Always secure the battery cover and lock it in place before use. Do not expose the battery pack to rain or wet conditions.
2. Remove the battery when the product is not in use or before cleaning.
3. Rechargeable batteries are to be removed from the product before being charged.
4. Exhausted batteries are to be removed from the product and safely disposed of.
5. If the product is to be stored unused for a long period, the battery should be removed.
6. The supply terminals are not to be short-circuited.
7. To reduce the risk of fire, personal injury, and product damage, do not charge, use, modify, or store a damaged tool, battery pack, or charger in rain or allow a fluid to flow inside them. Certain liquids or chemicals, such as seawater, corrosive or conductive fluids, bleach, or bleach-containing products, etc., can cause a short circuit.
8. Li-ion batteries should be charged under an ambient temperature specified by the battery user instruction. An environment with a low (e.g., below 0 °C) or high (e.g., above 45 °C) temperature could cause serious battery safety problems.
9. When disposing of this product, remove the battery and dispose of it according to local regulations.

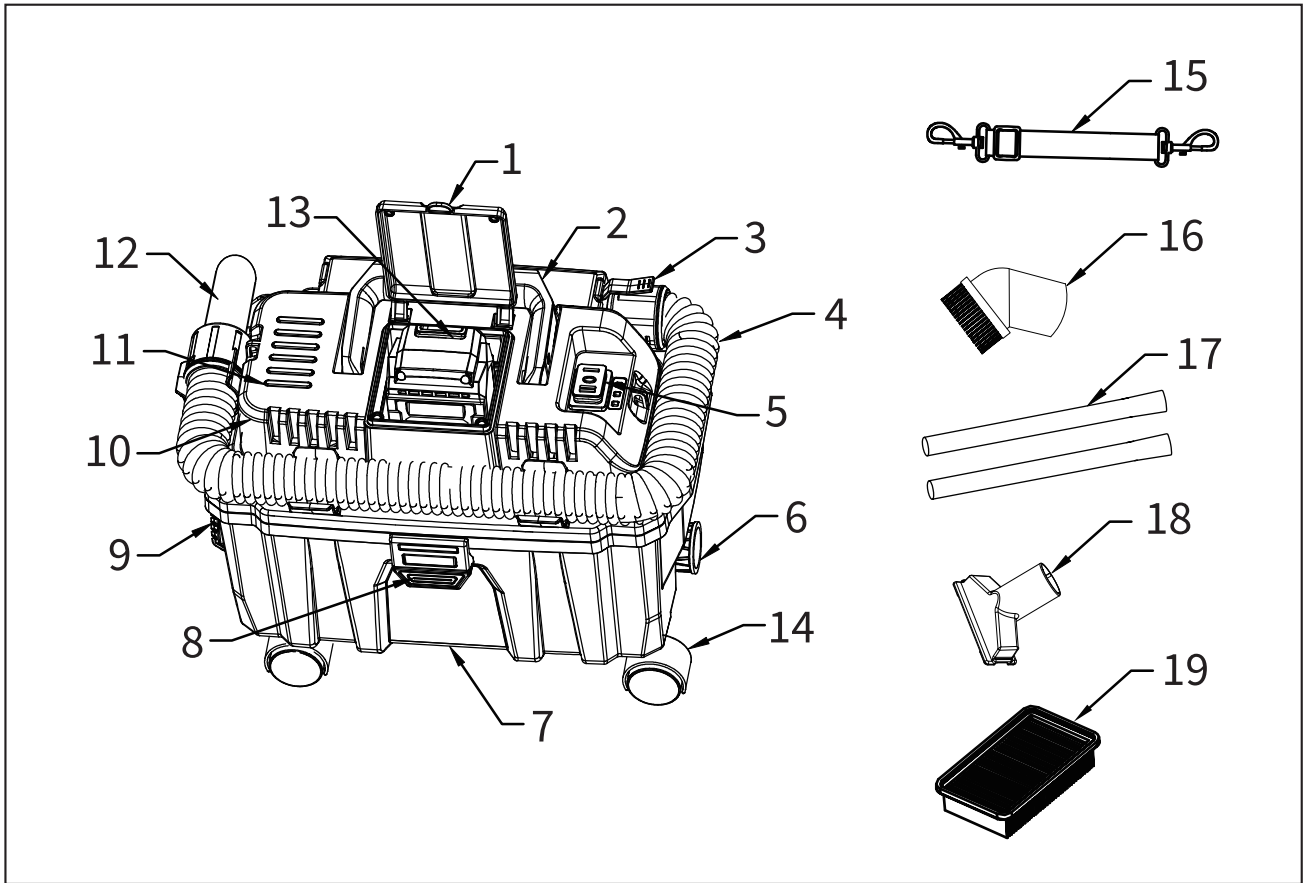
General Safety Instructions

1. For your safety, carefully read and understand all instructions. This appliance complies with mandatory safety regulations for electrical equipment. However, improper use will harm personal safety and property. Please read these instructions carefully before operating the appliance.
2. When using electrical appliances, follow basic precautions. Do not allow unattended operation.
3. Do not use the air outlet directly against people or animals.
4. The manufacturer cannot be liable for damages due to improper use or operation.
5. Do not inhale flammable, toxic liquids, such as gasoline, oil, acids or other volatile substances.
6. Do not inhale hot dust, ash or sharp objects.
7. Do not touch objects directly when blowing. Keep children away and wear safety goggles.
8. Do not reverse the vacuum cleaner, as this may cause motor damage.
9. The hose cannot be overly bent or forced to elongate; otherwise, it will be deformed or damaged.
10. Do not allow the lid part to be immersed in water or rinsed with water to prevent water from entering the electronic parts. In case of leakage, gently wipe the surface with a rag.
11. Do not use the appliance in a damp room.
12. Do not store the appliance directly at high temperatures such as hot stoves or heat sinks.
13. Do not use a cleaning agent or detergent containing solvent.
14. Unauthorized parts or third-party accessories may be dangerous and make the warranty invalid.
15. If you notice liquid leaking from your equipment, immediately turn it off.
16. Only relevant professionals can repair electrical equipment. Improper repairs pose considerable risk.

Product Technical Parameters

| Parameter | Specification |
|---------------|---|
| Product name | Wet & Dry Vacuum Cleaner |
| Model | AKDW01 |
| Rated voltage | DC 20V |
| Capacity | 10L (2.5 gal) |
| Running time | Approximately 40 mins at low power and 20 mins at high power |
| Vacuity | 9±1 KPa / 15±1 KPa |
| Remarks | Technical parameters are subject to the standard test environment |

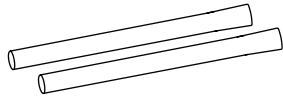

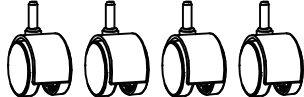

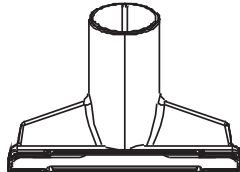
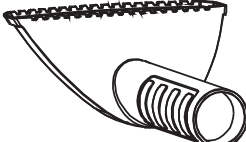
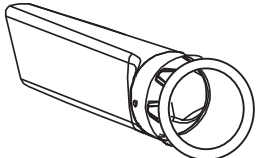
Product Parts Name



- | | | |
|-------------------|--|-----------------------|
| 1. Battery cover | 8. Buckle | 14. Wheels*4 |
| 2. Handle | 9. Utility nozzle | 15. Belt |
| 3. Main pipe | 10. Hose rack | 16. Round brush |
| 4. Hose | 11. Top cap | 17. Extension wands*2 |
| 5. Switch | 12. Air inlet connector | 18. Sofa nozzle |
| 6. Crevice nozzle | 13. Battery compartment (battery not include) | 19. HEPA filter |
| 7. Barrel | | |

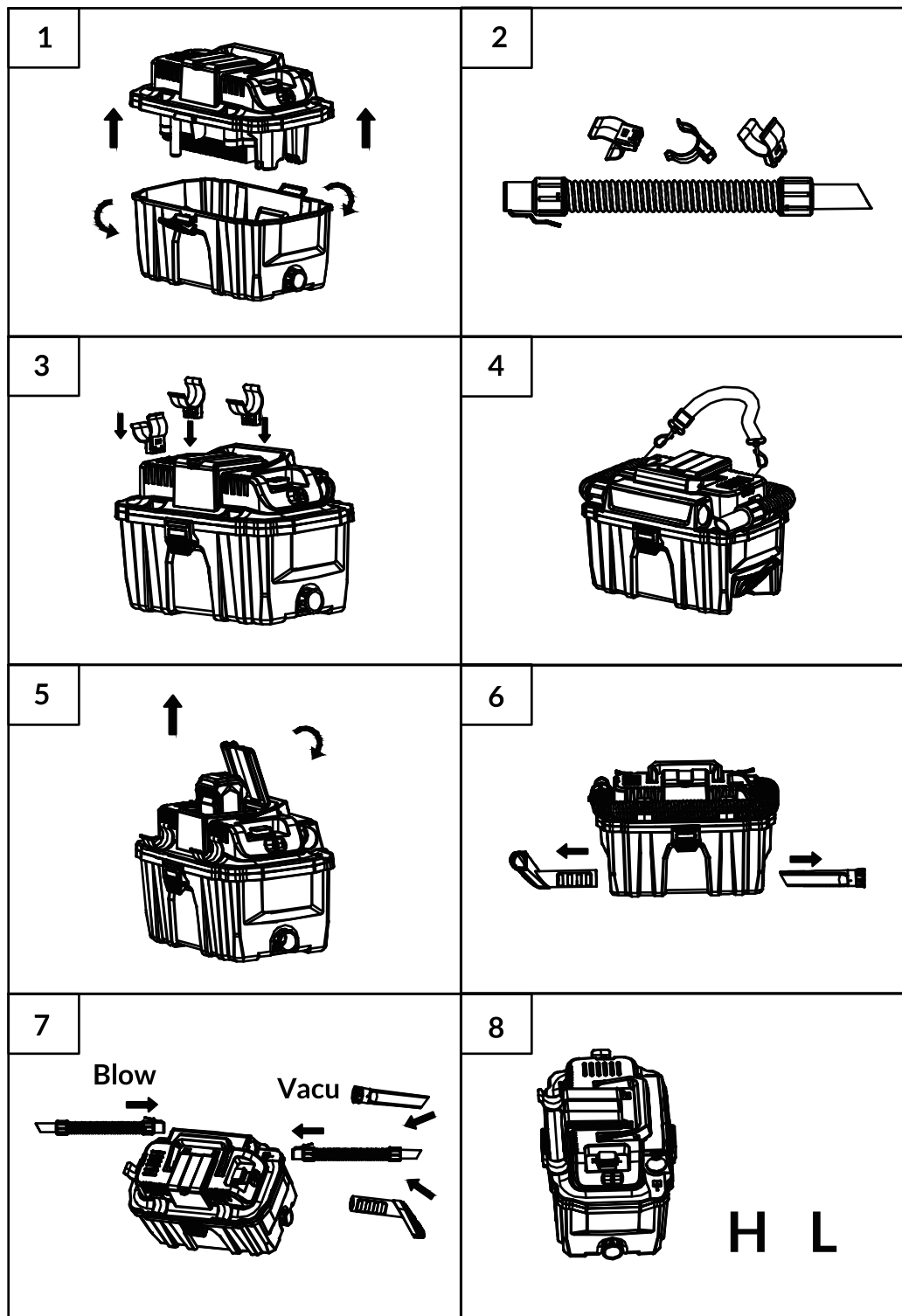


Accessory List

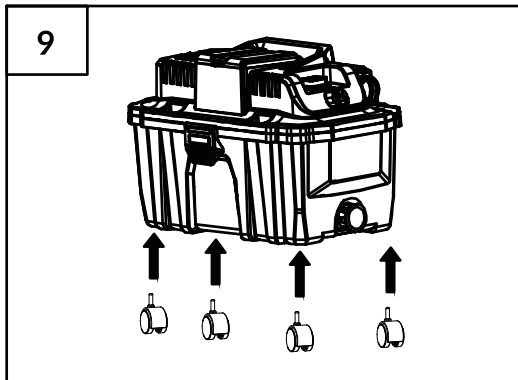
| Diagram | Name | Quantity |
|---|-----------------|----------|
|  | Extension wands | 2 |
|  | Belt | 1 |
|  | Wheels | 4 |
|  | Round brush | 1 |
|  | Sofa nozzle | 1 |
|  | Utility nozzle | 1 |
|  | Crevice nozzle | 1 |



Product Operating Instructions



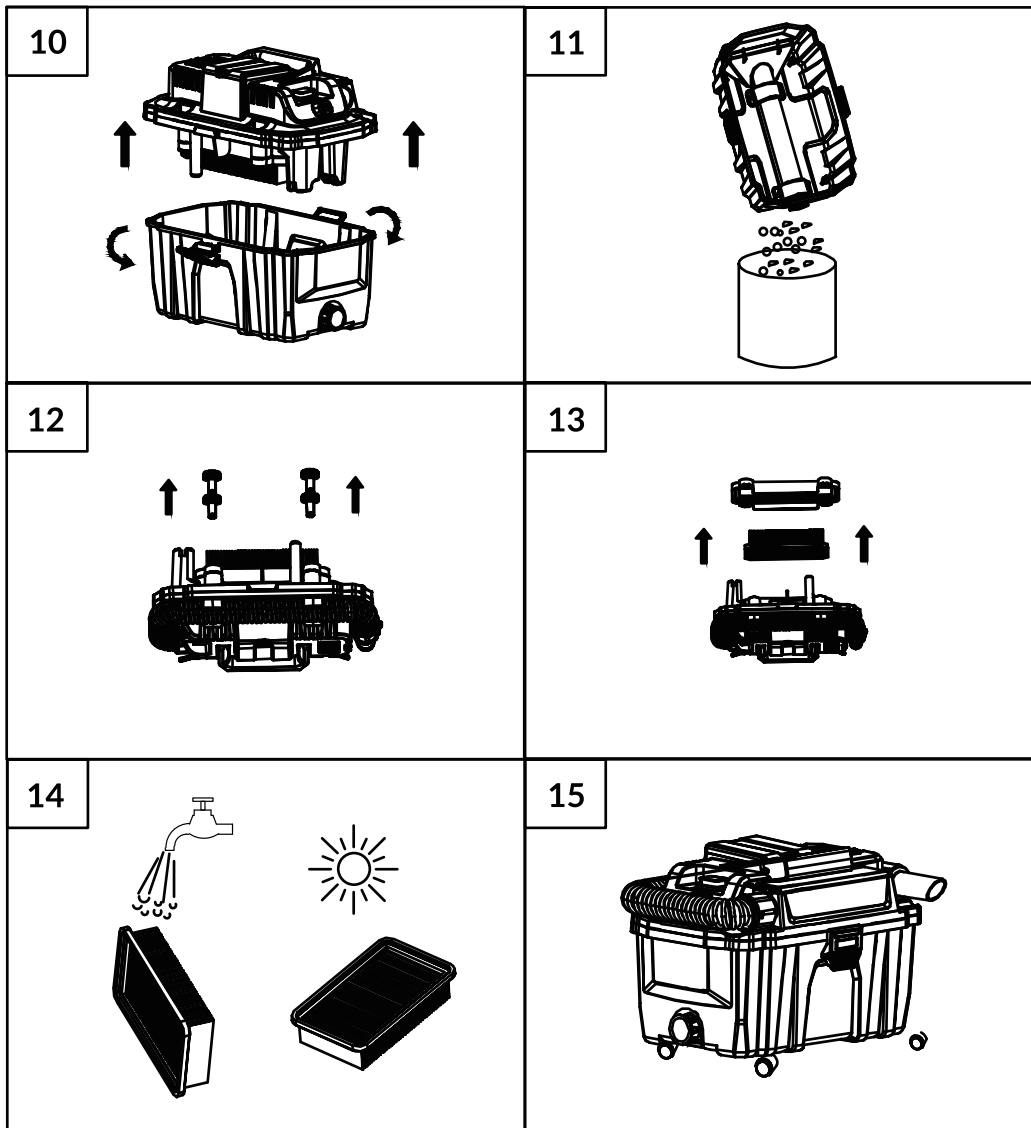
1. Open the buckle outward and lift the top cap.
2. Take out the accessory from the barrel.
3. Insert the hose rack into the socket of the top cap.
4. Hook the strap into place (optional).
5. Open the battery cover and insert the battery pack into place.
6. Pull out the flat suction nozzle and brush as required.
7. Draw in the hose assembly as required.
8. Press the switch. The H direction is high power; the L direction is low power.



9. Install the wheels onto the corresponding positions on the bottom of the machine, ensuring they are securely locked in place.

Cleaning Methods

Note: Please remove the battery pack before cleaning.



10. Open the buckle outward and lift the top cap.
11. Cleaning the barrel.
12. Turn the four locking buttons counterclockwise and pull them out.
13. Take out the HEPA filter.
14. Clean the HEPA filter with water and let it air dry.
15. Reassemble the machine.

Maintenance

- Use only original accessories and spare parts.
- Avoid using solvents when cleaning plastic parts. Most plastics are susceptible to various types of commercial solvents and may be damaged by their use. Use clean cloths to remove dirt, carbon dust, etc.
- Do not at any time let brake fluid, gasoline, petroleum-based products, penetrating oils, etc., come in contact with plastic parts. Chemicals can damage, weaken or destroy plastic which may result in serious personal injury.
- In order to lengthen the lifespan, clean the body, filter, and dust bag after each use. Wind the power cord neatly and place the accessories in the slot.
- Empty and clean the dirty water after use.
- Clean the surface of the vacuum cleaner with a dry cloth to prevent water from entering the vacuum cleaner, which could cause a short circuit or even burn the vacuum cleaner.

Additional Battery Safety Warnings

- To reduce the risk of fire, personal injury, and product damage due to a short circuit, never immerse your tool, battery pack, or charger in fluid or allow fluid to flow inside them. Corrosive or conductive fluids, such as seawater, certain industrial chemicals, and bleach or bleach-containing products, etc., can cause a short circuit.

Troubleshooting

Motor does not start / Vacuum not power on

- Possible cause: Battery not installed properly, battery discharged, battery cover not locked, battery not charged, or power not turned on.
- Solution: Ensure the battery is correctly installed and locked; charge the battery; verify the battery cover is fully closed and secured; ensure the vacuum is powered on.

Reduced / weak suction power

- Possible cause: Clogged filter, blocked hose or nozzle, top cover not properly seated, or top cap not properly secured.
- Solution: Clean the washable filter and allow it to dry (or replace the filter); check and clear any blockages in the hose or nozzle; ensure the top cover/top cap and locking latches are properly engaged/fixed.

Abnormal vibration or noise

- Possible cause: Foreign object lodged in the vacuum, loose components, or product has been dropped or damaged.
- Solution: Stop operation immediately and remove the battery; inspect and remove any foreign objects; if damage is found, contact an authorised service centre for repair.

Battery will not charge

- Possible cause: Damaged charger or battery, or charging temperature out of recommended range.
- Solution: Inspect for damage to the charger or battery; charge within the recommended temperature range (typically 0°C–45°C).

Overheating

- Possible cause: Continuous high-load operation, or blocked vents.
- Solution: Allow the product to cool down before further use; clean the vents to ensure proper airflow.

Liquid leakage

- Possible cause: Tank not properly installed, or damaged seal.
- Solution: Ensure the tank and seal are correctly installed; if the seal is damaged, contact an authorised service centre for replacement.

FCC Compliance Statement

This device complies with part 15 of the FCC Rules. Operation is subject to the following two conditions:

- (1) This device may not cause harmful interference, and
- (2) this device must accept any interference received, including interference that may cause undesired operation.

Caution: Changes or modifications to this unit not expressly approved by the party responsible for compliance could void the user's authority to operate the equipment.

NOTE: This equipment has been tested and found to comply with the limits for a Class B digital device, pursuant to part 15 of the FCC Rules. These limits are designed to provide reasonable protection against harmful interference in a residential installation. This equipment generates, uses and can radiate radio frequency energy and, if not installed and used in accordance with the instructions, may cause harmful interference to radio communications, however, there is no guarantee that interference will not occur in a particular installation. If this equipment does cause harmful interference to radio or television reception, which can be determined by turning the equipment off and on, the user is encouraged to try to correct the interference by one or more of the following measures:

- Reorient or relocate the receiving antenna.
- Increase the separation between the equipment and receiver.
- Connect the equipment into an outlet on a circuit different from that to which the receiver is connected.
- Consult the dealer or an experienced radio/TV technician for help.

This equipment must be installed and operated in accordance with provided instructions and the antenna(s) used for this transmitter must be installed to provide a separation distance of at least 20cm from all persons and must not be co-located or operating in conjunction with any other antenna or transmitter. End-users and installers must be provided with antenna installation instructions and transmitter operating conditions for satisfying RF exposure compliance.

Ecarke[®]

Tough Jobs, Easy Choice

Wet & Dry Vacuum Cleaner User Manual

(Tool only)



Made in China