

Amana®

Side-by-Side Refrigerator Owners Manual

English	2
Français	20
Sección de castellano	42

Keep these instructions for future reference. Be sure this manual stays with refrigerator

Contents

Electrical Requirements	2
Model Identification	3
Installation Information	3
Installation Checklist	6
Controls	
Fresh Food and Deepfreeze® Controls	7
Setting Controls	7
Fresh Food Features	
Fresh Food Shelves	7
Chiller Fresh™ System	8
Deli Fresh Drawer	8
Garden Fresh™ Crispers	8
Storage Rack	9
Covered Storage Bucket	9
Dairy Center	9
Temperature Controlled Fresh Food Door	9
Door Buckets	9
Door Shelves	10
Deepfreeze® Features	
Automatic Ice Maker	10
Deepfreeze® Rack	11
Stor-Mor® System	11
Door Dikes	11
Ice 'N' Water™ Dispenser	12
Care and Cleaning	
General	13
Odor Removal	13
Adhesives	13
Door Gaskets	13
Condenser Coils	13
Glass Shelves	14
Light Bulbs	14
Energy Tips	15
Vacation Tips	15
Normal Operating Sounds	16
Before Calling For Service	17
Factory Service Centers	18
Asure™ Service Plan	18
Warranty	19

Electrical Requirements



Recognize this symbol as a safety precaution.



WARNING

Electrical Grounding Instructions — This refrigerator is equipped with a three-prong (grounding) plug for protection against possible shock hazards. If a two-prong wall receptacle is encountered, contact a qualified electrician and have the two-prong wall receptacle replaced with a properly grounded three-prong wall receptacle in accordance with the National Electrical Code.

Refrigerator is designed to operate on a separate 103 to 126 volt, 15 amp., 60 cycle line.

Do not under any circumstances cut or remove the round grounding prong from the plug. Refrigerator must be grounded at all times. Do not remove warning tag from power cord.



WARNING

Do not use a two-prong adapter. Do not use an extension cord.

Model Identification

Thank you for purchasing this Amana® refrigerator. Please read this Owner's Manual thoroughly. This manual provides proper maintenance information. Any questions, call the Consumer Affairs Department at **1-800-843-0304** inside U.S.A. and **1-319-622-5511** outside U.S.A.

Complete registration card and promptly return. If registration card is missing, call the Consumer Affairs Department.

When contacting Amana Refrigeration, Inc., provide product information. Product information is on the serial plate, located on (upper left corner, ceiling) of Fresh Food section. Record the following information:

Model Number: _____
Manufacturing Number: _____
S/N or Serial Number: _____
Date of purchase: _____
Dealer's name and address: _____

Keep a copy of sales receipt for future reference.

Amana Refrigeration, Inc. also has a network of independent authorized technicians. Locate a Factory Service Center or independent authorized Amana® technician by calling **1-800-628-5782** inside U.S.A. and **1-319-622-5511** outside U.S.A. Warranty service must be performed by an **authorized** Amana® technician. Amana Refrigeration, Inc. also recommends contacting an **authorized** Amana® technician if service is required after warranty expires.

Amana Refrigeration, Inc. offers a complete line of appliances: cooktops, dishwashers, dryers, freezers, microwave ovens, ranges, wall ovens, and washers. Amana Refrigeration, Inc. also manufactures a complete selection of high efficiency gas furnaces plus both central and room air conditioners.

Enjoy this new Amana® refrigerator.

Installation Instructions

Proper installation will ensure that this refrigerator operates most efficiently. Amana Refrigeration, Inc. cannot be responsible for improper installation.

1. Remove doors if necessary.



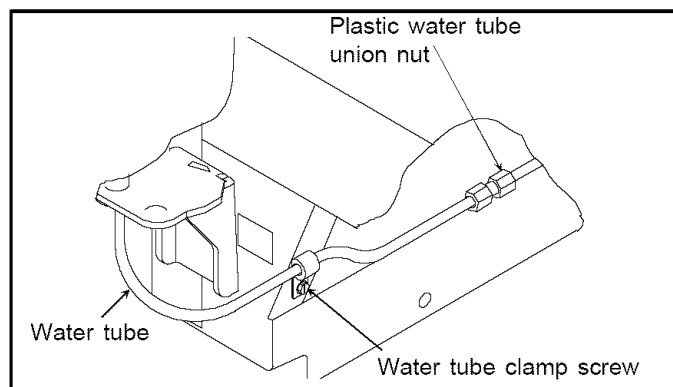
WARNING

To avoid electrical shock which can cause severe personal injury or death, disconnect power to refrigerator before removing doors. After replacing doors, connect power.

a. Remove toe grille.

b Dispenser Models

Loosen water tube clamp screw. Loosen plastic water tube union nut. Pull water tube away from union nut and through tube clamp.

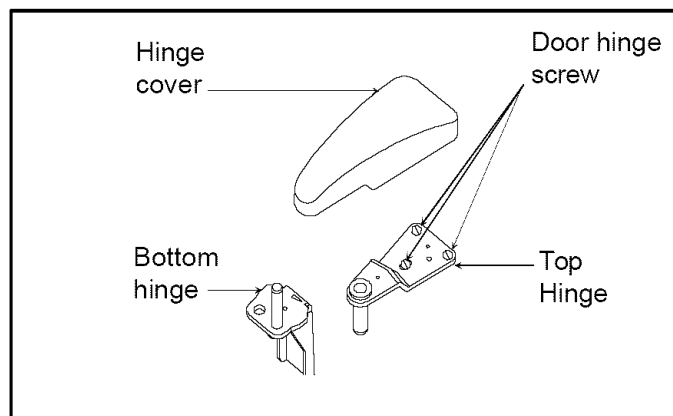


c. Remove top hinge covers.

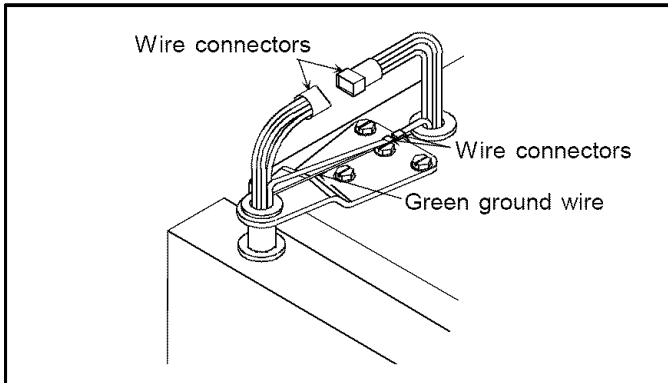


WARNING

To avoid electrical shock which can cause severe personal injury or death, green ground wire must remain attached to hinge.



- d. Unplug top hinge wire connectors. Do not remove green ground wire from hinge. Carefully lift and remove top hinges. Do not disturb position of hinge shims.



- e. Remove doors.



Caution

To avoid property damage, protect soft vinyl or other flooring with cardboard, rugs, or other protective material when moving refrigerator.

- f. Slide appliance cart under side of refrigerator. Wrap refrigerator with blanket or pad. Thread cart strap around refrigerator and tighten. Do not overtighten strap. Move refrigerator in front of final location.
- g. Rehang doors by reversing steps a-e. Use a penny at top of doors to space doors 3/4" (18 mm) from cabinet.

2. Connecting Water Supply



WARNING

To avoid electrical shock which can cause severe personal injury or death, disconnect power to refrigerator before connecting water supply. After connecting water supply, connect power.



Caution

To avoid property damage, observe the following:

- Confirm water pressure to water valve is between 20 and 100 pounds per square inch.
- Tighten adapter fitting and nut by hand to avoid cross threading. Finish tightening adaptor fitting and nut with pliers and wrenches. Do not overtighten.
- Check for water leaks and correct if necessary prior to returning refrigerator to normal location and 24 hours after connecting.

Important

- Before connecting water supply, contact a plumber to connect copper tubing to household plumbing in compliance with local codes and ordinances.
- Amana Refrigeration Inc. recommends using a saddle valve. **Do not use self-piercing valve.** Amana Refrigeration Inc. is not responsible for property damage due to improper water connection.

Important

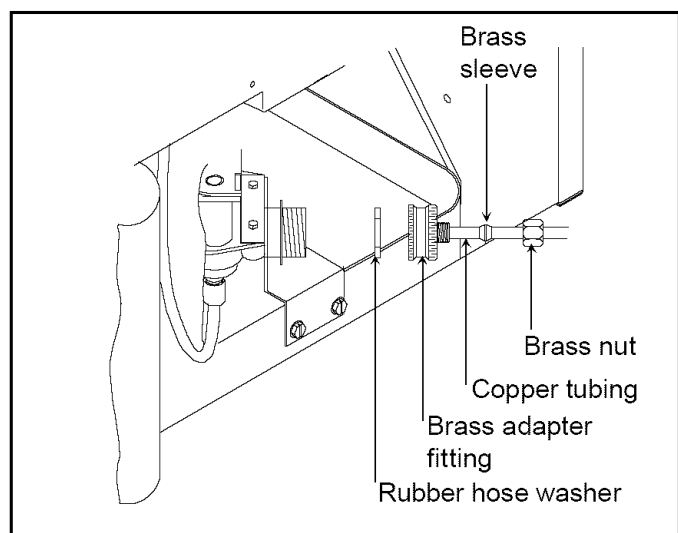
- Before connecting water supply, contact a plumber to connect copper tubing to household plumbing in compliance with local codes and ordinances.
- Amana Refrigeration, Inc. recommends using a saddle valve. **Do not use self-piercing valve.** Amana Refrigeration, Inc. is not responsible for property damage due to improper water connection.

Materials Required

1/4" (6 mm) flexible copper tubing. Length of copper tubing must reach from water supply connection plus an additional 8' (2 m) for service loop behind refrigerator.

Procedure

1. Remove fiberboard cover screws on right side (20, 22, 25, 27 cubic foot models) or on left side (19, 21 cubic foot models). Remove black plastic spacer (22, 25, 27 cubic foot models). Bend cover back.
2. Remove brass nut and sleeve from adapter fitting. Slide brass nut and sleeve over end of copper tubing. Insert copper tubing into adapter fitting. Confirm rubber hose washer is in place. Tighten adapter fitting on water valve by hand. Tighten an additional 1/2 turn with a pliers and wrenches. Connect nut on copper tubing to adapter fitting. Confirm copper tubing is secure by pulling on copper tubing



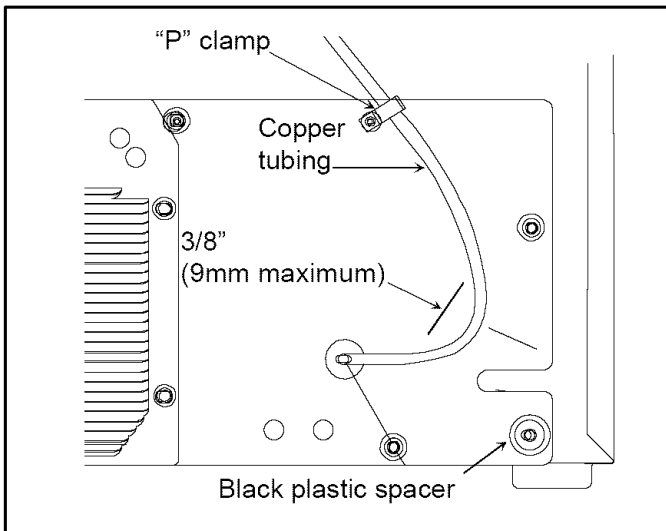
3. Turn on water supply to refrigerator and check for leaks. Correct any leaks.



WARNING

To avoid electrical shock which can cause severe personal injury or death, all back covers must be installed before connecting power to refrigerator.

4. Replace lower back cover screws and black plastic spacer.
5. Create service loop using extreme care to avoid kinks. **Secure copper tubing to refrigerator cabinet with a “P” clamp. Copper tubing must not extend 3/8” (9 mm) beyond back.**



3. Plug in power cord.

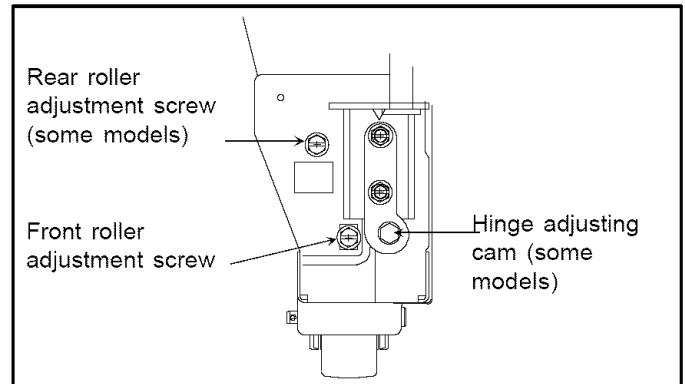
4. Move refrigerator into final location.

5. Level refrigerator and align doors.

- a. Remove toe grille.
- b. Turn roller adjustment screw to raise or lower refrigerator cabinet until refrigerator is stable. Some models have both front and rear adjustable rollers.

c. **Models with Hinge Adjusting Cam**

If tops of doors are not aligned after leveling, loosen refrigerator door hinge screws 1/2 turn. Turn cam clockwise 1 increment at a time until doors are aligned. Open and close doors. Tighten hinge screws.



6. Review “Installation Checklist” in Owner’s Manual with consumer.

Installation Checklist

This checklist is for personal records only.

Consumer Installer

Doors

Doors are aligned with each other. (After food has been added to refrigerator , consumer should check door alignment).

Doors seal completely to refrigerator cabinet.

Handles are solidly attached to doors.

Touchmatic™ Electronic and Ice 'N Water™ Dispenser Models (Some models)

If doors were removed to install refrigerator, top hinge wire connectors are reconnected.

Leveling

Refrigerator is stable.

Toe grille is properly attached to refrigerator.

Ice Maker

Water supply to refrigerator is turned on.

Water leaks are not present at connection between household water supply and refrigerator. (After 24 hours, consumer should check connection for water leaks.)

Ice maker arm is in on position for ice production. (It may take up to 24 hours for first harvest of ice.)

Product Literature

Owner's manual is reviewed including the following information.

- product registration card
- Fresh Food and Deepfreeze® controls
- Chiller Fresh™ system
- Garden Fresh™ crispers
- normal operating sounds

Notes _____

Consumer's Signature

Installer's Signature

Installer's Company Name/Phone Number

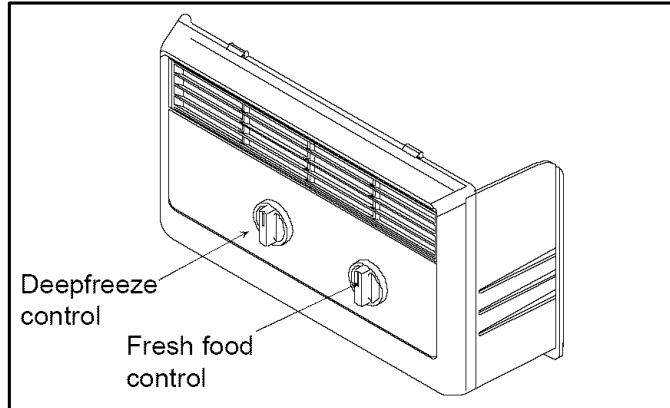
Date

Controls

This refrigerator is designed to operate at normal household temperatures of 55° to 110°F (13° to 43°C).

Fresh Food and Deepfreeze® Controls

Fresh Food and Deepfreeze® controls are located on upper rear wall of Fresh Food section.



When Deepfreeze® control is set to *off*, neither Fresh Food nor Deepfreeze® sections will cool. Initially, set both controls to 4. Wait 24 hours for Fresh Food and Deepfreeze® sections to reach desired temperatures. After 24 hours, adjust controls, one number at a time, as desired. 1 is warmest setting and 7 is coldest.

Setting Controls

Set controls with a household thermometer that includes temperatures between -5° to 50°F (-21° to 10°C).

Put thermometer snugly between frozen packages in Deepfreeze® section. Wait 5-8 hours. If Deepfreeze® temperature is not 0° to 2°F (-17° to -16°C), adjust control, 1 number at a time. Check again after 5-8 hours.

Put thermometer in a glass of water in middle of Fresh Food section. Wait 5-8 hours. If Fresh Food temperature is not 38° to 40°F (3° to 4°C), adjust control, 1 number at a time. Check again after 5-8 hours.

Fresh Food Features



Caution

To avoid property damage, confirm shelf is secure before placing items on shelf.

Fresh Food Shelves

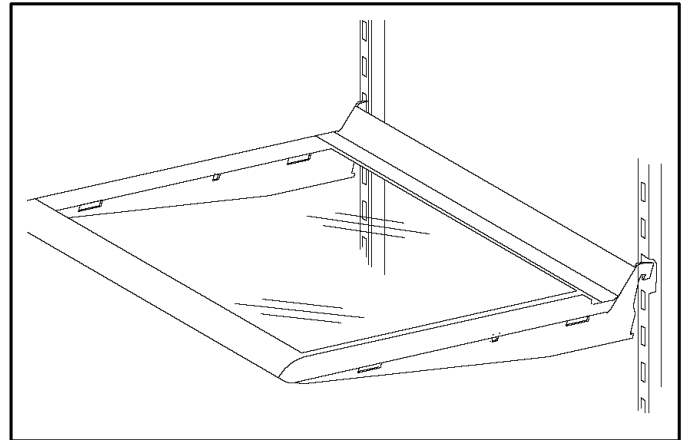
Models feature either glass or wire shelves. Shelves adjust up or down to meet individual storage needs. Some models feature Spillsaver™ shelves. Spillsaver™ shelves hold simple spills for easier cleaning.



Caution

To avoid personal injury or property damage, handle tempered glass shelves carefully. Shelves may break suddenly if nicked, scratched, or exposed to sudden temperature change.

- Remove shelves by lifting front, releasing hooks from metal track then pulling out.
- Replace shelves by inserting hooks into metal track and lowering front.

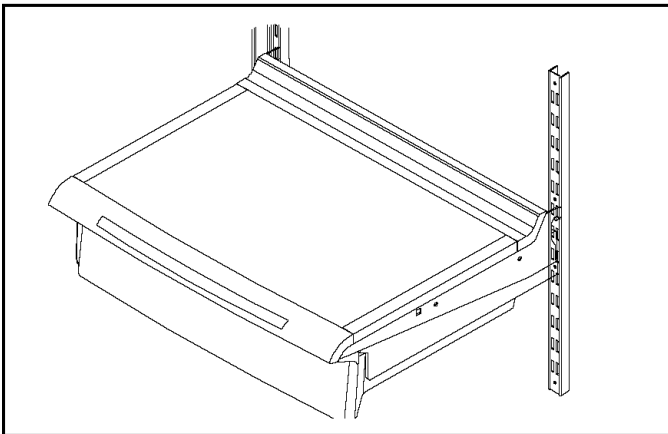


Chiller Fresh™ System (Some models)

Chiller Fresh™ system features a drawer inside a sleeve. Air circulates between drawer and sleeve. This system keeps food fresh longer and up to 5°F (3°C) colder than Fresh Food temperature.

Chiller Fresh™ control is located below front shelf trim. Control adjusts amount of air circulating around drawer. Control adjusts amount of air circulating around drawer. Slide control to *cold* for normal Fresh Food temperature and to *colest* for colder temperature. Ice crystals may form on drawer or food on *colest* setting. Cold air can decrease Fresh Food temperature. Fresh Food control may need to be adjusted.

- Remove drawer by lifting and pulling out. Remove shelf by lifting front, releasing hooks from metal track then pulling out.
- Replace shelf by inserting hooks into metal track and lowering front. Use slots 8 through 11 only. Replace drawer by sliding in. Confirm boot is over air inlet in side wall.
- Water droplets or frost appearing on chiller fresh system air boot is normal during periods of high humidity or repeated door openings. Chiller Fresh System air boot is located between the left side refrigerator wall and the Chiller Fresh sleeve.



Deli Fresh Drawer (Some models)

- Remove drawer by lifting and pulling out. Remove shelf by lifting front, releasing hooks from metal track then pulling out.
- Replace shelf by inserting hooks into metal track and lowering front. Replace drawer by sliding in.

Garden Fresh™ Crispers (some models)

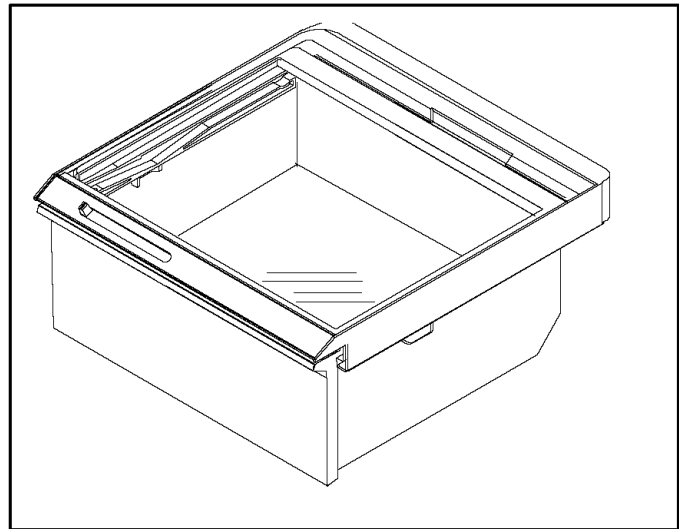
Garden Fresh™ crispers keep produce fresh longer. Wrap produce tightly. Do not wash produce before placing in crispers. Excess moisture could cause produce to spoil prematurely. Do not line crispers with paper towels. Paper towels will retain moisture.

Garden Fresh™ control is located below front shelf trim. Control adjusts humidity in crispers. Slide control to *high* for produce with leaves such as lettuce, spinach or cabbage. Slide control to *low* for produce with skins such as cauliflower, corn or tomatoes.



Caution

To avoid personal injury or property damage, handle tempered glass shelves carefully. Shelves may break suddenly if nicked, scratched, or exposed to sudden temperature change.



Remove shelf and garden fresh crispers by completing the following steps.

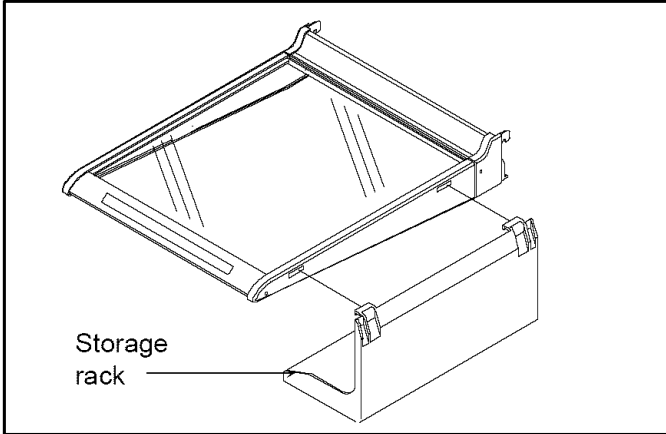
1. Open crisper.
2. Remove shelf by gently pushing up from underneath. Tilt one end up then pull out.
3. Remove crisper by lifting front while supporting underneath then pulling out.
4. Replace crispers and shelf by reversing steps 1-3.

Storage Rack (Some models)

Storage rack provides convenient storage for items such as a large bottle, eggs, etc.

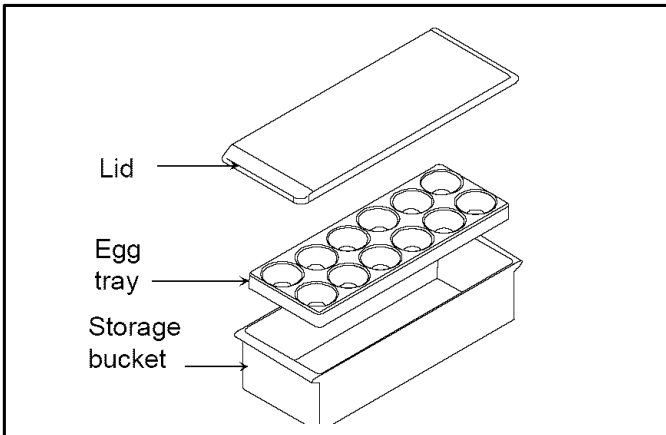
Depending on location of shelf, hang rack using 1 of the following methods. Rack cannot be installed next to lower Fresh Food section light bulb.

- Remove shelf by lifting front, releasing hooks from metal track then pulling out. Hang rack by inserting tabs into slots on side of shelf. Replace shelf by inserting hooks into metal track and lowering front.
- Slide rack along side of shelf until tabs are inserted into slots.



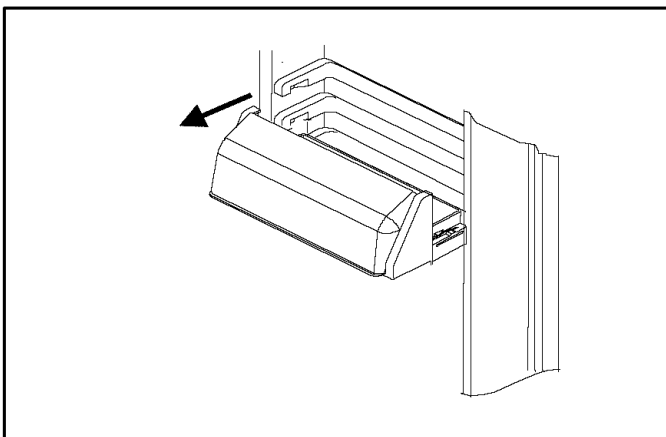
Covered Storage Bucket (Some models)

Storage bucket has a lid and removable egg tray. When tray is removed, bucket will accept items such as a standard egg carton, ice, etc.



Dairy Center (Some models)

Dairy center provides convenient storage for items such as butter, cheese, etc.

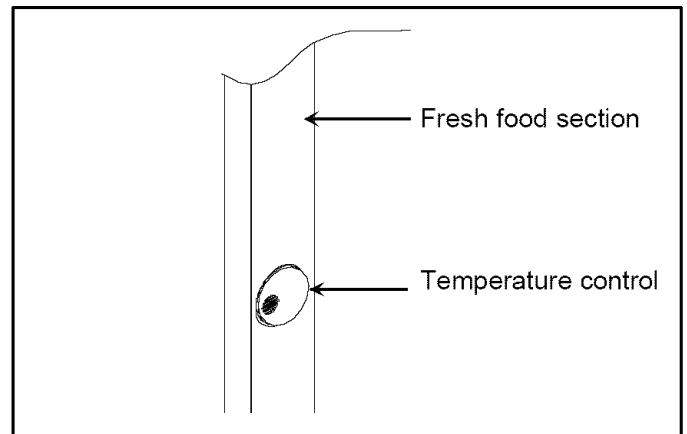


Temperature Controlled Fresh Food Door (Some models)

Temperature control allows adjustment of Fresh Food door temperatures. Air inlet allows air from Deepfreeze® section to pass to door shelves. Air inlet is located on interior wall of Fresh Food door.

Door control is located on left front wall of Fresh Food section. Control adjusts amount of air circulating around Fresh Food door. Turn control to *cold* for normal Fresh Food temperature and to *colder* for colder temperature.

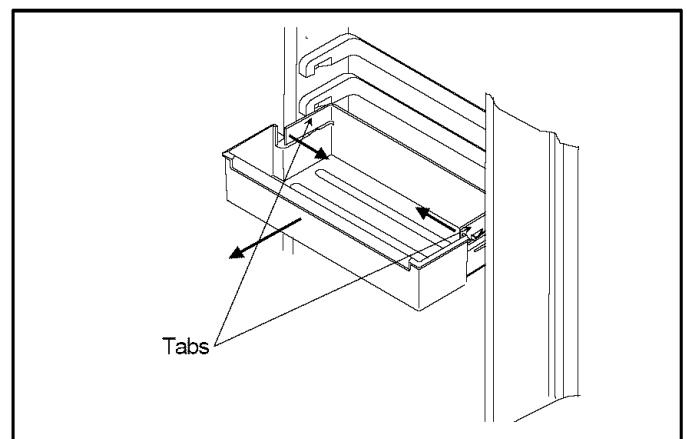
- Water droplets or frost appearing on beverage chiller is normal during periods of high humidity or after repeated door openings. Reduce water droplets or frost on beverage chiller control by turning control counterclockwise.



Door Buckets (Some models)

Door buckets adjust to meet individual storage needs.

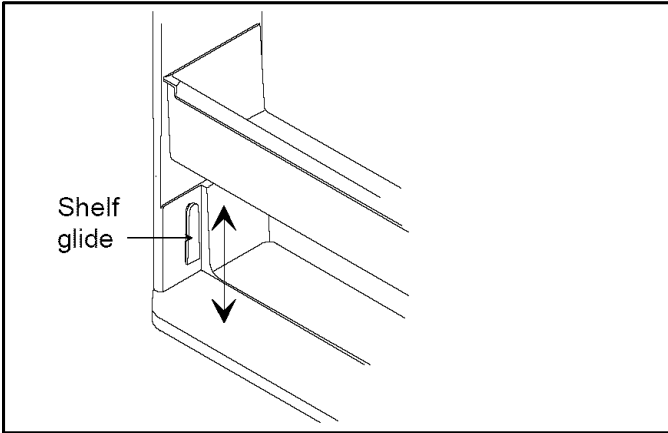
- Remove door buckets by pushing tabs toward center and pulling out.
- Replace door buckets by sliding in until tabs lock into place.



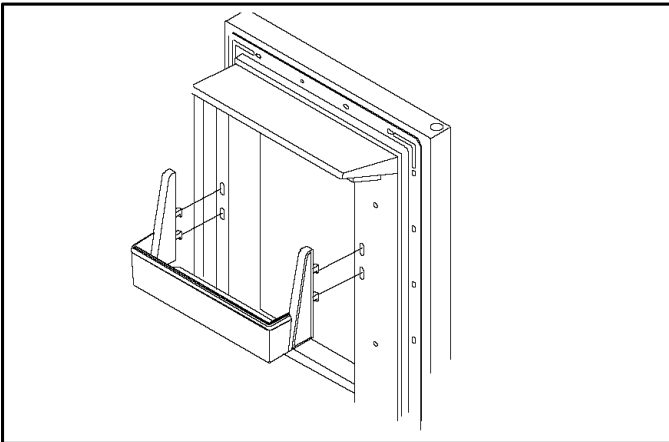
Deepfreeze® Features

Door Shelves (Some models)

- Remove slide-style door shelves by lifting both ends up and pulling out.
- Replace slide-style door shelves by placing shelf on glides and sliding down.



- Remove hook-style door shelves by lifting ends and releasing hooks on bottom of shelf.
- Replace hook-style shelves by inserting hooks and lowering bottom of shelf. Push down on ends.

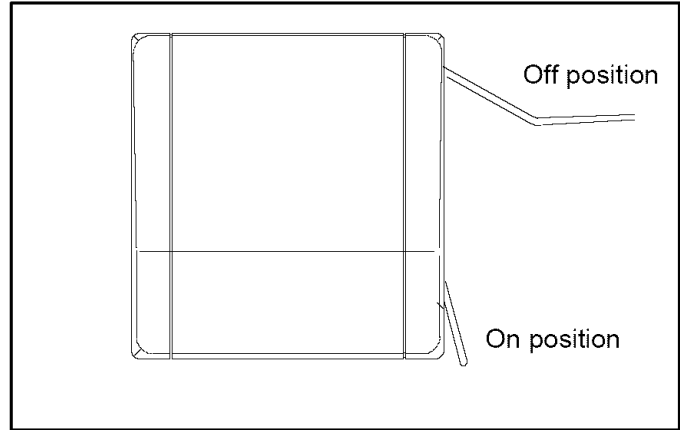


Caution

To avoid property damage, confirm shelf is secure before replacing items on shelf.

Automatic Ice Maker

- Confirm ice bucket is in place and ice maker arm is down.



- After Deepfreeze® section reaches normal temperature, ice maker fills with water and begins operating. Allow 24-48 hours after installation before first harvest of ice. Ice maker produces 7 to 9 harvests of ice in a 24-hour period under ideal conditions.
- After ice is formed, ice maker drops ice cubes into ice storage bucket. During ice production, ice maker arm raises and lowers. When ice storage bucket is full, ice maker arm turns ice maker off. Discard first 3 harvests of ice after initially connecting refrigerator to household water supply and after extended periods of non-use.
- Stop ice production by raising ice maker arm. A definite click is heard when proper position is reached. Ice maker arm will remain in off position until pushed down.



Caution

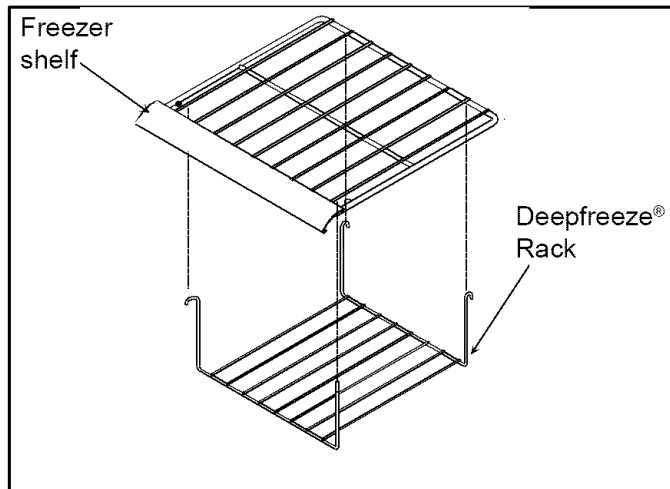
To avoid damage to ice maker, observe the following:

- Do not force ice maker arm down or up.
- Do not place or store anything in ice storage bucket.

Deepfreeze® Rack (Some models)

Deepfreeze® rack holds ice cube trays and provides additional storage.

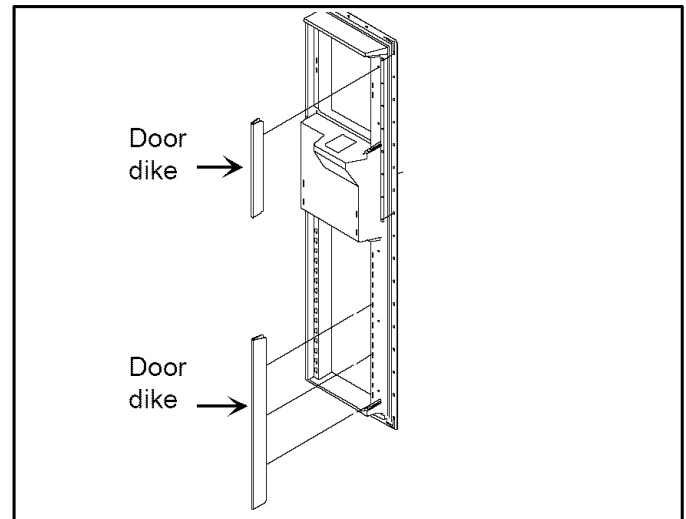
- Remove Deepfreeze® rack by lifting rack and pushing front hooks in to release hooks from shelf. Pull front of rack down. Push hooks in to release back hooks from shelf. Slide rack off shelf.
- Replace Deepfreeze® rack by pushing back hooks in and placing hooks over shelf. Push front hooks in and place hooks over shelf.



Door Dikes (Some models)

Door dikes snap out for easy removal of Deepfreeze® shelves and baskets.

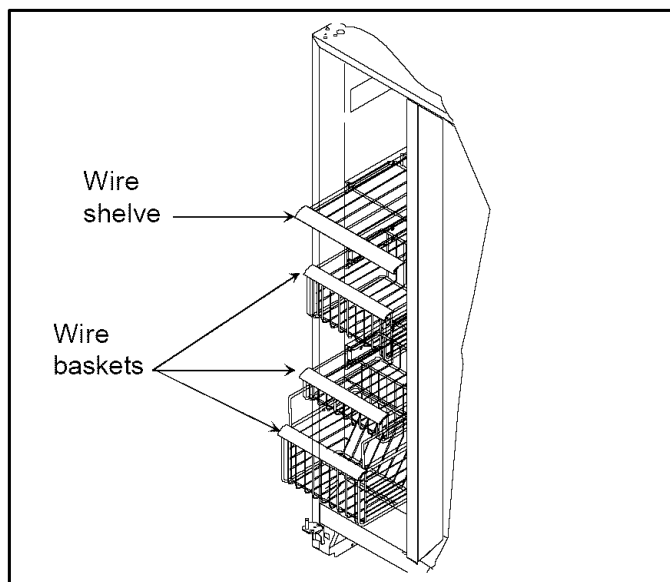
- Remove door dike by pulling out.
- Replace door dike by aligning dike with extrusions on Deepfreeze® door. Push until dike snaps in place.



Stor-Mor® System

Wire shelves and baskets slide out for easy access of items in back and can be rearranged to meet individual storage needs.

- Remove shelves and baskets by lifting and pulling out.
- Replace shelves and baskets by placing shelves and baskets on side rails. Slide shelves and baskets right and back until round knob is behind stop on rail.



Ice 'N' Water™ Dispenser (Some models)



Caution

To avoid personal injury or property damage, observe following instructions:

- Do not operate dispenser with Deepfreeze® door open.
- Do not put fingers, hands, or any foreign object into dispenser opening.
- Do not use sharp objects to break ice.

Water Dispenser Operation

It takes approximately 1 minute after initially connecting refrigerator to household water supply before water dispenses. Discard first 10 to 14 containers of water after initially connecting refrigerator to household water supply and after extended periods of non-use.

- Dispense water by pressing sturdy wide mouthed container against water dispenser bar.
- Stop water dispensing by releasing pressure on bar. A small amount of water may continue to fall. Spill shelf is not self-draining. Large spills should be wiped dry.

Ice Dispenser Operation



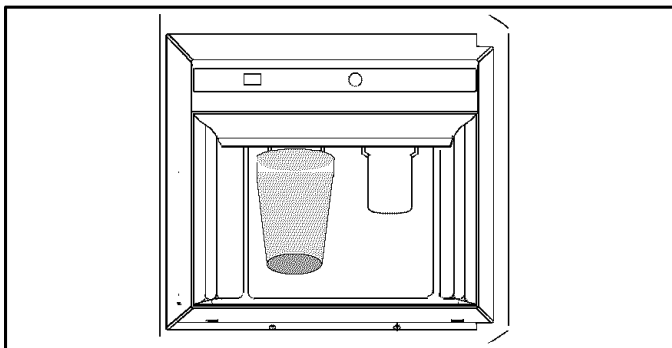
Caution

To avoid property damage, do not dispense ice directly into thin glass, fine china, or delicate crystal.

- Select cubed or crushed mode by sliding lever on dispenser panel. Dispense ice by pressing wide mouthed container against ice dispenser bar.

Important

Reduce spraying of crushed ice by holding wide mouthed container directly under ice chute and as high as possible in dispenser area.



- Stop ice dispensing by releasing pressure on bar before container is full. Some ice will continue to fall. Do not remove container until last of ice falls.

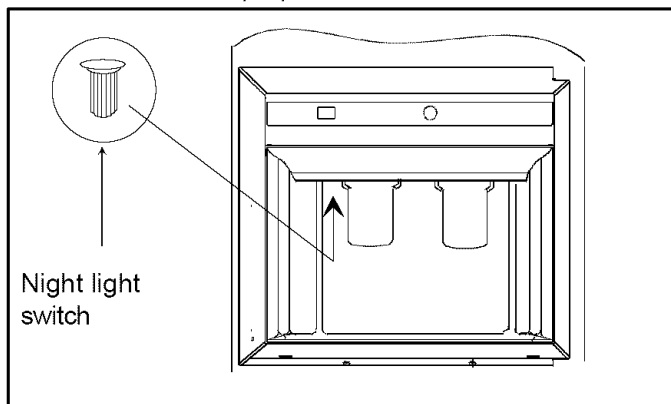
If dispensing ice continuously, dispenser motor is designed to shut off after 3 to 5 minutes. Motor resets after 3 minutes and dispensing can continue.

A slight delay occurs when switching between cubed and crushed modes. Pieces of crushed ice will vary in size and shape. "Snow" may form on door and ice chute when repeatedly dispensing crushed ice. Allow "snow" to evaporate or wipe dry.

Dispenser operates only with cubes of proper size and crescent shape. Do not add purchased ice cubes or other shaped cubes to ice bucket.

Removing Ice Bucket

- Remove ice bucket by lifting bucket and pulling out.
- Replace ice bucket by sliding in until bucket locks in place. Ice bucket must be locked in place for proper ice dispensing. If Deepfreeze® door does not close, bucket is not in proper location.



Dispenser Light (Some models)

A light is activated when dispensing ice or water. Some models feature a night light.

- Deactivate night light by pushing switch, located underneath dispenser and left of ice dispenser bar.

Taste and Odor

Observe the following to minimize taste and odor difficulties:

- Wrap foods in tightly sealed containers or moisture proof bags.
- Install water filter, part #R0183114, on water line.
- Contact local water treatment company for specialized help if difficulties persist.

Care and Cleaning



WARNING

To avoid electrical shock which can cause severe personal injury or death, disconnect power to refrigerator before cleaning. After cleaning, connect power.



Caution

To avoid personal injury or property damage, read and follow all cleaning product manufacturer's directions.

General

1. Wash surfaces with 4 tablespoons baking soda dissolved in 1 quart warm water and a soft, clean cloth.
 2. Rinse surfaces with warm water. Dry surfaces with a soft, clean cloth.
- Do not use the following items:
 - abrasive or harsh cleaners, ammonia, chlorine bleach, etc.
 - concentrated detergents or solvents
 - metal scouring padsThese items can scratch, crack and discolor surfaces.
 - Do not place buckets, shelves, etc. in dishwasher.

Odor Removal

1. Remove all food and disconnect power to refrigerator.
2. Clean all interior surfaces including ceiling, floor, and walls according to "General" instructions. Pay special attention to corners, crevices, and grooves. Include all drawers, shelves, and gaskets.
3. Connect power to refrigerator and return food to refrigerator. Wash and dry all bottles, containers and jars. Wrap foods in tightly sealed containers to prevent further odor. After 24 hours, check if odor was eliminated.

Complete the following steps if odor was not eliminated.

4. Complete steps 1-2.
5. Place garden fresh crispers on top shelf of Fresh Food section. Pack Fresh Food and Deepfreeze® sections including doors with crumpled sheets of black and white newspaper.
6. Place charcoal briquettes randomly throughout newspaper.
7. Close doors and let stand 24-48 hours.
8. Remove charcoal briquettes and newspapers.
9. Complete steps 2-3.

Contact Consumer Affairs Department if odor was still not eliminated.

Adhesives

1. Remove glue residue by rubbing toothpaste into adhesive with fingers until adhesive loosens.
2. Rinse surface with warm water. Dry surface with a soft, clean cloth.

Door Gaskets

1. Clean door gaskets every 3 months according to "General" instructions.
2. Apply a light film of petroleum jelly to keep gaskets pliable.

Condenser Coils

Clean condenser coil every 3 months to ensure maximum performance of refrigerator. Accumulated dust and lint may cause the following:

- reduced cooling performance
 - increased energy usage
 - premature compressor failure
1. Remove toe grille by holding ends and pulling forward.
 2. Clean front surface of condenser coil with a vacuum cleaner hose nozzle.
 3. Replace toe grille by inserting clips in holes and snapping in.



Caution

To avoid property damage, protect soft vinyl or other flooring with cardboard, rugs, or other protective material.

4. Pull refrigerator away from wall. Run a vacuum brush across condenser fan outlet grille on back of refrigerator.

Glass Shelves (Some models)



Caution

To avoid personal injury or property damage, handle tempered glass shelves carefully. Shelves may break suddenly if nicked, scratched, or exposed to sudden temperature change.

Remove shelf by lifting front, releasing hooks from metal track then pulling out. Place shelf on a towel. Allow shelf to adjust to room temperature before cleaning.

Clean crevices by completing the following steps:

1. Dilute mild detergent and brush solution into crevices using a plastic bristle brush. Let set for 5 minutes.
2. Spray warm water into crevices using faucet spray attachment.
3. Dry shelf thoroughly and replace shelf by inserting hooks into metal track and lowering front.

Light Bulbs



WARNING

To avoid electrical shock which can cause severe personal injury or death, disconnect power to refrigerator before replacing light bulb. After replacing light bulb, connect power.



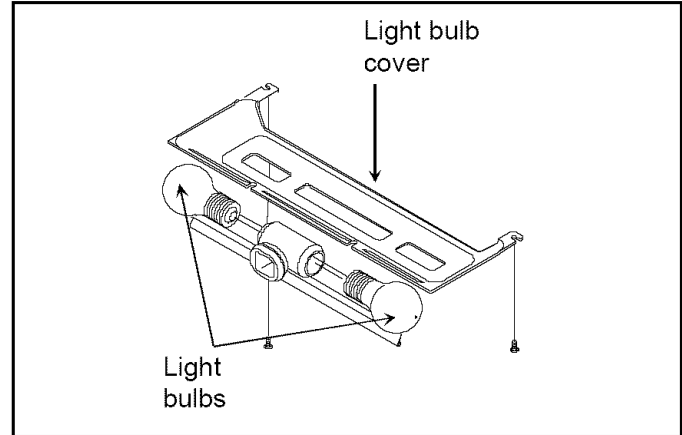
Caution

To avoid personal injury or property damage, observe the following:

- Allow light bulb to cool.
- Wear gloves when replacing light bulb.

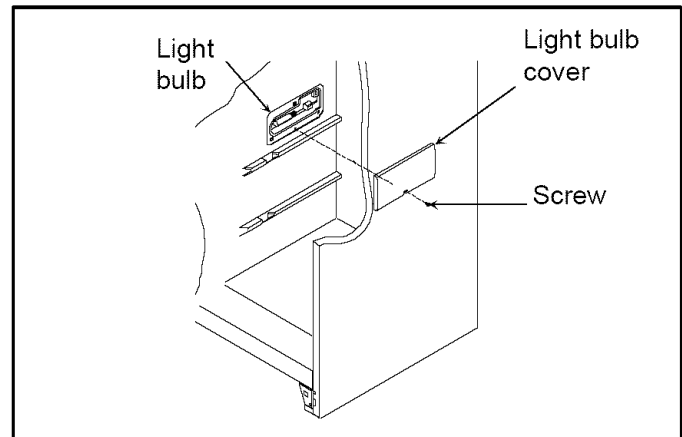
Upper Fresh Food Section

- Remove light bulb cover by pushing in on back corners then sliding off screws. Replace bulb(s) with 40-watt appliance bulb(s).
- Replace light bulb cover by pushing in on back corners then sliding on screws.



Lower Fresh Food Section (Some models)

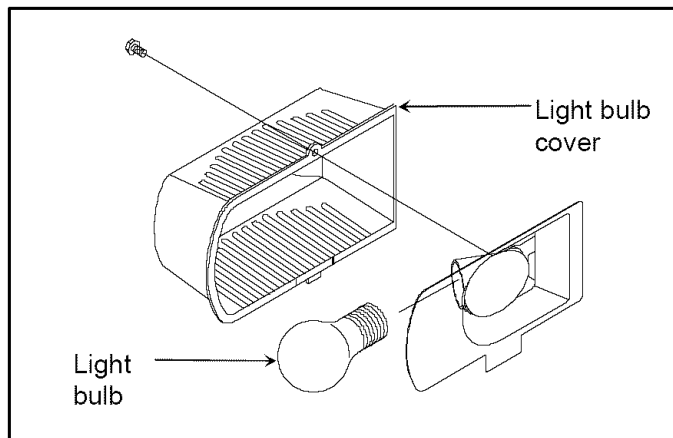
- Remove light bulb cover by removing screw. Replace bulb with 40-watt tubular bulb.
- Replace light bulb cover by placing cover over light bulb. Insert and tighten screw.



Energy Tips

Deepfreeze® Section

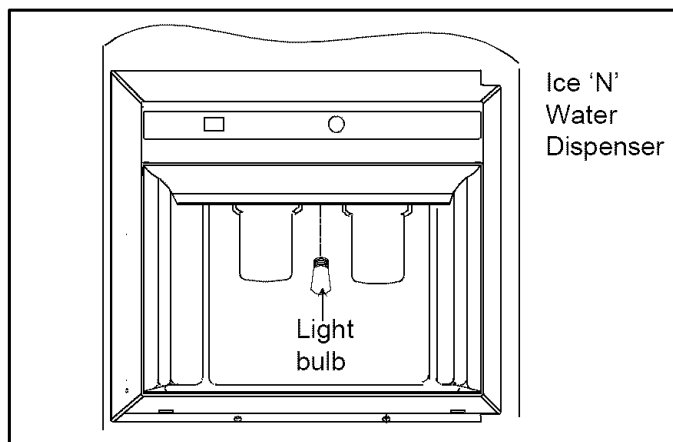
1. Remove ice bucket by lifting bucket and pulling out.
2. Remove light bulb cover by removing screw.
Replace bulb with 40-watt appliance bulb.
3. Replace light bulb cover by holding cover in place over light bulb. Insert and tighten screw.
4. Replace ice bucket by sliding in until bucket locks in place.



Ice 'N' Water™ Dispenser (Some models)

Light bulb is located between dispenser arms.

- Remove light bulb by unscrewing light bulb.
Replace light bulb with a 6-watt, 120-volt bulb.
- Replace light bulb by inserting and tightening bulb.



This refrigerator is designed to be one of the most energy efficient refrigerators available. Reduce energy use by observing the following.

- Operate in normal household temperatures of 55° to 110°F (13° to 43°C) away from heat sources and direct sunlight.
- Set Fresh Food, Deepfreeze®, and Chiller Fresh™ system controls no colder than necessary.
- Keep Deepfreeze® section full.
- Keep door gaskets clean and pliable. Replace gaskets if worn.
- Keep condenser coils clean.

Vacation Tips

Complete the following steps for short vacations.

1. Remove perishable foods. **Warranty does not cover food loss.** Check warranty certificate for specific coverage.
2. If an ice maker is installed, move ice maker arm up to off position.

Complete the following steps for long vacations.

1. Empty Fresh Food and Deepfreeze® sections.
2. Unplug refrigerator.
3. Clean refrigerator and door gaskets according to "General" instructions in "Care and Cleaning" section.
4. Prop doors open, so air can circulate inside.
5. If an ice maker is installed, turn water supply to refrigerator off and move ice maker arm up to off position.

Normal Operating Sounds

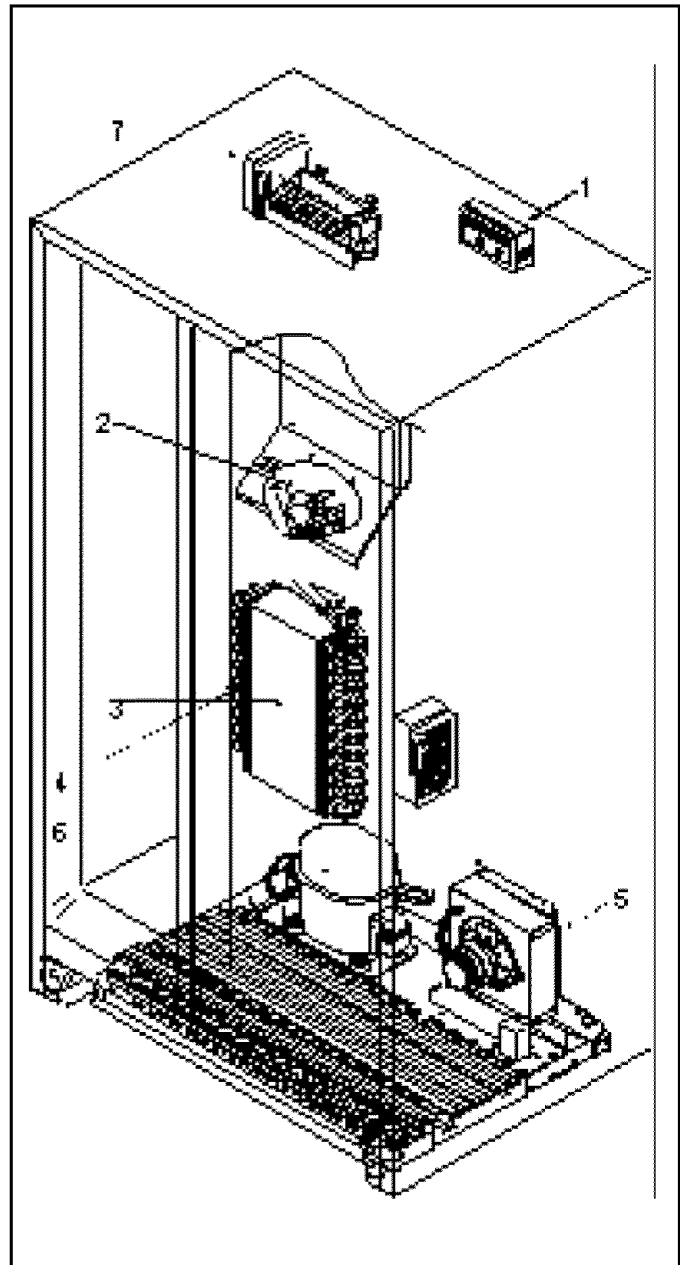
This new refrigerator may be replacing a differently designed, less efficient or smaller refrigerator. Today's refrigerators have new features and are more energy efficient. As a result, certain sounds may be unfamiliar. These sounds are normal and will soon become familiar. These sounds also indicate refrigerator is operating and performing as designed.

1. **Deepfreeze® control** clicks when starting or stopping compressor.
2. **Deepfreeze® fan** air rushes and whirs.
3. **Sealed system** (evaporator and heat exchanger) refrigerant flow gurgles, pops or sounds like boiling water.
4. **Defrost heater** sizzles, hisses or pops.
5. **Condenser fan** air rushes and whirs.
6. **Compressor** has a high pitched hum or pulsating sound.
7. **Ice cubes** from ice maker (some models) drop into ice bucket.

Ice auger (Ice 'N' Water™ Dispenser models) hums as auger agitates ice during dispensing. Ice auger is located in freezer door.

Ice maker water valve hookup (some models) buzzes when ice maker fills with water. This occurs whether or not refrigerator is connected to water supply. If refrigerator is not connected to water supply, stop sound by raising ice maker arm to off position. Water valve hook up is located in back, bottom, left hand corner.

Foam insulation is very energy efficient and has excellent insulating capabilities. However, foam insulation is not as sound absorbent as previously used fiberglass insulation.



Before Calling For Service

Refrigerator does not operate.

- Confirm Deepfreeze® control is on.
- Confirm refrigerator is plugged in.
- Check fuse or circuit breaker. Plug in another item at that wall outlet.
- Wait 40 minutes to see if refrigerator restarts. If Deepfreeze® control is on, lights work but 2 fans and compressor are not operating, refrigerator may be in defrost cycle.

Refrigerator still won't operate.

- Unplug refrigerator. Transfer food to another unit or place dry ice in Deepfreeze® section to preserve food. **Warranty does not cover food loss.** Check warranty certificate for specific coverage.
- Call **1-800-628-5782** inside U.S.A. and **1-319-622-5511** outside U.S.A. to locate an **authorized Amana®** technician.

Food temperature appears too warm.

- See above sections.
- Allow time for recently added warm food to reach Fresh Food or Deepfreeze® temperature.
- Check gaskets for proper seal.
- Clean condenser coils.
- Adjust Fresh Food and/or Deepfreeze® control.
- Confirm rear air grille is not blocked. Rear air grille is located behind left garden fresh crisper.

Chiller fresh system temperature is too warm.

- Slide control to colder setting.
- Adjust Deepfreeze® control to colder setting.

Food temperature is too cold.

- Clean condenser coils.
- Adjust Fresh Food control.
- Adjust Deepfreeze® control to warmer setting. Allow several hours for temperature to adjust.

Refrigerator runs too frequently.

- It may be normal to maintain constant temperature.
- Doors may have been opened frequently or for an extended period of time.
- Allow time for recently added warm food to reach Fresh Food or Deepfreeze® temperature.
- Clean condenser coils.
- Adjust Deepfreeze® control.
- Check gaskets for proper seal.

Water droplets form on inside of refrigerator.

- It is normal during high humidity periods or if doors have been opened frequently.

Water droplets or frost on Beverage Chiller Control.

- This is normal during periods of high humidity or if doors have been opened frequently. Reduce water droplets or frost on beverage chiller control by turning control counterclockwise.

Garden Fresh™ crispers or Chiller Fresh™ system does not close freely.

- Check for a package which may prevent drawer from closing properly.
- Confirm drawer is in proper position.
- Clean drawer channels with warm, soapy water. Rinse and dry thoroughly.
- Apply a thin layer of petroleum jelly to drawer channels.
- Confirm refrigerator is level.

Refrigerator has an odor.

- See "Odor Removal" instructions in "Care and Cleaning" section.

Refrigerator or ice maker make unfamiliar sounds or seems too loud.

- It may be normal. See "Normal Operating Sounds" section.

Ice maker is not producing ice.

- Confirm ice maker arm is down.
- Confirm household water supply is reaching water valve.
- Confirm ice maker wiring harness is completely inserted into proper holes.
- Check for kinks in copper or plastic tubing. Remove kinks or replace tubing.
- Check electrical connections to water valve coil and connector block on refrigerator cabinet.
- Confirm Deepfreeze® section is operating at proper temperature.

Ice cubes have an odor.

- See "Odor Removal" instructions in "Care and Cleaning" section.
- Discard ice and clean ice bucket or trays more frequently. Ice cubes are porous and absorb odors easily.

Ice cubes stick together or 'shrink'.

- Empty ice cube bucket or trays more frequently. If used infrequently, ice cubes may stick together or shrink.

Ice forms in inlet tube to ice maker.

- Check water pressure. Low water pressure will cause valve to leak. Self-piercing valves cause low water pressure. **Amana® recommends using copper tubing to connect household plumbing to refrigerator. Do not use self-piercing valve. Amana® is not responsible for property damage due to improper installation or water connection.**

Factory Service Centers

Listed below are Factory Service Centers which service most metropolitan and surrounding areas. Amana Refrigeration, Inc. also has a network of independent authorized technicians. Locate a Factory Service Center or independent authorized Amana technician by calling **1-800-628-5782** inside U.S.A. and **1-319-622-5511** outside U.S.A. When contacting Amana Refrigeration, Inc., provide product information. Product information is on the serial plate, located on (upper left corner, ceiling) of Fresh Food section. Warranty service must be performed by an **authorized** Amana technician. Amana Refrigeration, Inc. also recommends contacting an **authorized** Amana technician if service is required after warranty expires.

- **Amana Factory Service Center Arizona**
Also dispatches service in areas of Nevada
- **Amana Factory Service Center Southern California**
- **Amana Factory Service Center Colorado**
Also dispatches service in areas of Utah
- **Amana Factory Service Center Florida**
- **Amana Factory Service Center Georgia**
Also dispatches service in areas of Alabama, North Carolina, South Carolina, and Tennessee
- **Amana Factory Service Center Iowa**
Also dispatches service in areas of Kansas, Minnesota, Missouri, and Wisconsin
- **Amana Factory Service Center Illinois**
Also dispatches service in areas of Indiana and Kentucky
- **Amana Factory Service Center Massachusetts**
Also dispatches service in areas of New Hampshire and Rhode Island
- **Amana Factory Service Center Maryland**
Also dispatches service in areas of Pennsylvania, Virginia, and Washington D.C.
- **Amana Factory Service Center New York**
Also dispatches service in areas of Connecticut and New Jersey
- **Amana Factory Service Center Ohio**
Also dispatches service in areas of Michigan and Pennsylvania
- **Amana Factory Service Center Texas**

Asure™ Service Plan

Amana is pleased to offer long-term service protection on this new refrigerator. Asure™ Extended Service Plan is specially designed to supplement Amana's strong warranty. Asure™ provides budget-protecting coverage on refrigerator that includes parts, labor and travel charges. A participating Amana® dealer has details, or call Asure™ department at 1/800-528-2682.

Warranty

Full One Year Warranty Full Five Year Warranty on Sealed System Components and Food Compartment Liner

First Year

Amana Refrigeration, Inc. will repair or replace, free of charge, any part which is defective due to workmanship or materials.

Second through Fifth Year

Amana Refrigeration, Inc. will replace, free of charge, any sealed system component (compressor, condenser, evaporator and interconnecting tubing) and repair any food compartment liner (exclusive of door liner) which is defective due to workmanship or materials.

Warranty Limitations

- Begins at date of original purchase.
- Applies to product used within the United States or in Canada if product has Canadian Standards Association listing when shipped from the factory.
- Service must be performed by an **authorized** Amana® technician.

Warranty Is Void If

- Serial plate is defaced.
- Product is used on a commercial, rental or leased basis.
- Product has defect or damage due to product accident, alteration, connection to an improper electrical supply, fire, flood, lightning, shipping and handling, or other conditions beyond the control of Amana Refrigeration, Inc.
- Product is improperly installed or used.

Owner's Responsibilities

- Provide proof of purchase (sales receipt).
- Provide normal care and maintenance. Replace owner replaceable items where directions appear in Owner's Manual.
- Make product reasonably accessible for service.
- Pay premium service costs for service outside technician's normal business hours.
- Pay for service calls related to product installation.

In no event shall Amana Refrigeration, Inc. be liable for incidental or consequential damages including food loss*

*This warranty gives you specific legal rights and you may have others which vary from state to state. For example, some states do not allow the exclusion or limitation of incidental or consequential damages so this exclusion may not apply to you.

Table des matières

Normes électriques	20
Identification du modèle	21
Instructions d'installation	21
Liste de contrôle d'installation	24
Commandes	
Commandes Fresh Food et Deepfreeze®	25
Réglage des commandes	25
Caractéristiques Fresh Food	
Clayettes Fresh Food	25
Système Chiller Fresh™	26
Tiroir à Charcuterie (Certains modèles)	26
Bacs à légumes Garden Fresh™	26
Rayon de rangement	27
Compartiment de rangement couvert	27
Casier laitier	27
Indice température contrôlée Fresh Food porte (certains modèles)	27
Compartiments de porte	28
Clayettes de porte	28
Caractéristiques Deepfreeze®	
Appareil à glaçons automatique	29
Rayon Deepfreeze®	29
Système Stor-Mor®	29
Dispositifs de retenue des portes (certains modèles)	30
Distributeur Ice 'N' Water™	31
Nettoyage et entretien	
Général	32
Suppression des odeurs	32
Adhésifs	33
Joint de porte	33
Bobines de condensateur	33
Clayettes en verre	33
Ampoules électriques	33
Conseils pour économiser l'énergie	34
Conseils durant les vacances	34
Bruits de fonctionnement normaux	36
Avant d'appeler le technicien	37
Centres de service agréés	39
Programme d'entretien Asure™	40
Garantie (Modèles non électroniques)	41

Normes électriques



Ce symbole indique une mesure de sécurité



MISE EN GARDE

Instructions de mise à la terre - Ce réfrigérateur est muni d'une fiche à 3 broches pour prévenir le risque d'électrocution. Si une prise de courant à deux broches est présente, contacter un électricien qualifié et faire remplacer la prise de courant à deux broches par une prise de courant à trois broches correctement mise à la terre conformément aux normes du Code national de l'électricité.

Le réfrigérateur est conçu pour fonctionner sur une ligne de 60 Hz, 15 ampères, 103 à 126 volts.

Ne jamais couper ou enlever la broche ronde de mise à la terre de la fiche. Le réfrigérateur doit être mis à la terre en tout temps. Ne jamais enlever l'étiquette d'avertissement du cordon d'alimentation.



MISE EN GARDE

Ne jamais utiliser d'adaptateur à deux broches. Ne jamais utiliser de rallonge.

Identification du modèle

Merci d'avoir fait l'achat d'un réfrigérateur Amana®. Veuillez lire attentivement le manuel du propriétaire. Ce manuel renferme des renseignements sur l'entretien de l'appareil. Pour toute question, appeler le service à la clientèle au **1-800-843-0304** aux États-Unis et le **1-319-622-5511** à l'extérieur des États-Unis.

Remplir la carte d'enregistrement et la renvoyer promptement. Si aucune carte d'enregistrement n'est fournie, appeler le service à la clientèle.

Lorsque vous communiquez avec Amana, veuillez fournir les renseignements concernant l'appareil. Ces renseignements apparaissent sur la plaque du numéro de série située dans le coin supérieur gauche, plafond du compartiment Fresh Food. Veuillez noter les renseignements suivants :

Numéro de modèle : _____
Numéro de fabrication : _____
Numéro de série : _____
Date d'achat : _____
Nom et adresse du marchand : _____

Veillez conserver une copie de la facture pour référence future.

Amana possède également un réseau de techniciens indépendants agréés. Appeler le **1-800-628-5782** aux États-Unis ou le **1-319-622-5511** à l'extérieur des États-Unis pour connaître le centre de service agréé ou technicien indépendant agréé par Amana le plus près de chez vous. Les réparations sous garantie doivent être effectuées par un technicien **agréé** par Amana. Amana recommande également de contacter un technicien **agréé** par elle-même si l'appareil nécessite une réparation suite à l'expiration de la garantie.

Amana offre une gamme complète d'appareils ménagers : surfaces de cuisson, lave-vaisselle, sècheuses, congélateurs, four à micro-ondes, cuisinières, fours encastrés et laveuses. Amana fabrique également une vaste sélection de fourneaux à gaz et d'appareils de climatisation centrale et individuelle.

Nous espérons que vous apprécierez ce nouveau réfrigérateur Amana®.

Instructions d'installation

Une installation adéquate assurera le fonctionnement efficace de ce réfrigérateur. Amana® ne peut être tenue responsable en cas d'installation inadéquate.

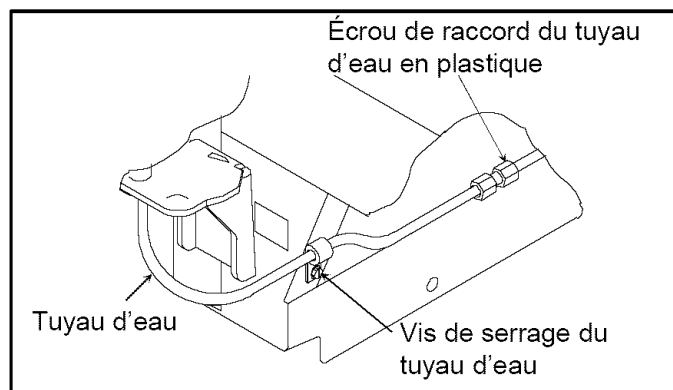
1. Enlever les portes si nécessaire.



MISE EN GARDE

Pour éviter tout risque d'électrocution pouvant causer des blessures graves, voire mortelles, toujours débrancher le réfrigérateur avant d'enlever les portes. Après avoir replacé les portes, brancher l'appareil.

- Enlever la grille.
- Modèles avec distributeur**
Desserrer la vis de serrage du tuyau d'eau.
Desserrer l'écrou de raccord du tuyau d'eau en plastique. Tirer le tuyau d'eau hors de l'écrou de raccord et à travers la bride de fixation du tuyau.

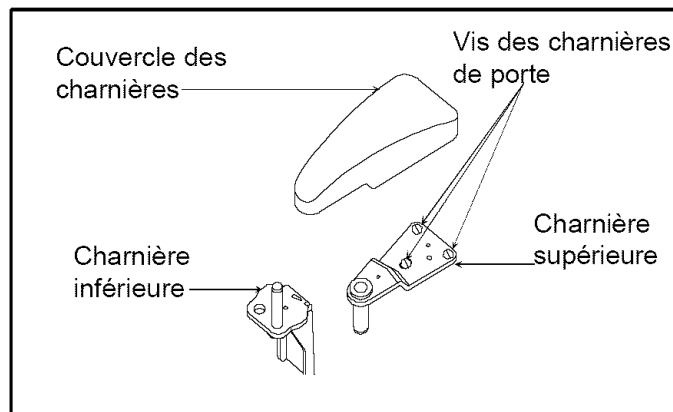


- Retirer les couvercles des charnières supérieures.



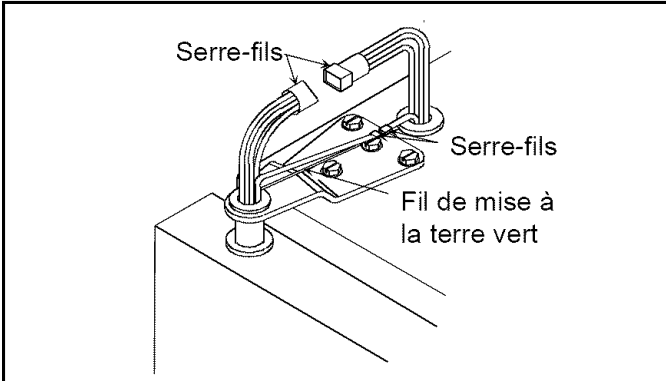
MISE EN GARDE

Pour éviter tout risque d'électrocution pouvant causer des blessures graves, voire mortelles, le fil de mise à la terre vert doit rester fixé à la charnière.



d. Modèles avec distributeur et modèles électroniques

Débrancher les serre-fils de la charnière supérieure. Soulevez et retirez avec précaution les charnières supérieures. Ne modifiez pas la position de leur cale.



e. Enlever les portes.



Attention

Pour éviter tous dégâts matériels, recouvrir les tuiles de vinyle ou autre type de plancher avec du carton, des tapis ou autre matériel de protection avant de déplacer le réfrigérateur.

f. Glisser le chariot servant à transporter l'appareil sous le côté du réfrigérateur. Recouvrir le réfrigérateur avec un coussin ou une couverture. Enfiler la courroie du chariot autour du réfrigérateur et serrer. Ne pas trop serrer la courroie. Déplacer le réfrigérateur devant l'endroit désiré.

g. Replacer les portes en procédant à l'inverse des étapes a-f. Utiliser une pièce d'un sou sur le dessus des portes pour créer un espace de 3/4 po (18 mm) entre la porte et l'appareil.

2. Raccordement de l'alimentation en eau



MISE EN GARDE

Pour éviter tout risque d'électrocution pouvant causer des blessures graves, voire mortelles, débrancher l'alimentation en électricité du réfrigérateur avant de raccorder l'alimentation en eau. Après avoir raccordé l'alimentation en eau, brancher le réfrigérateur.



Attention

Pour éviter tous dommages matériels, observer les recommandations suivantes:

- Vérifier que la pression d'eau est située entre 20 et 100 lb par pouce carré.
- Commencer à visser les écrous de la conduite à la main en veillant à ne pas fausser le filetage. Finir de les visser à l'aide d'une clé à molette et de pinces. Ne pas trop serrer.
- Vérifier qu'il n'y a pas de fuites avant de remettre le réfrigérateur à son emplacement normal. Bien s'assurer qu'il n'y a pas de fuites 24 heures après le raccordement.

Important

- Avant de brancher l'alimentation en eau, contacter un plombier pour raccorder la conduite en cuivre sur l'arrivée d'eau de la maison conformément aux codes et règlements locaux.
- **Ne pas utiliser de soupape autotaraudeuse.** Amana n'est pas responsable des dommages matériels causés par un raccord d'eau incorrect.

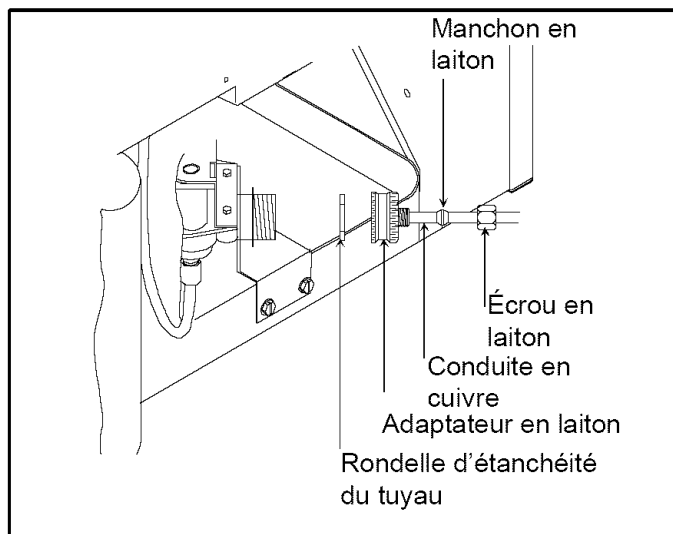
Matériel nécessaire

Conduite en cuivre flexible de 1/4 po (6 mm). La longueur de la conduite doit être suffisante pour couvrir la distance entre le réfrigérateur et le point de raccordement à l'alimentation en eau, additionné de 8 pi (2 m) pour former, à l'arrière du réfrigérateur, une boucle permettant le déplacement de celui-ci.

Procédure

1. Enlever les vis sur le panneau du tableau en fibre du côté droit (modèles de 20, 22, 25 et 27 pi³) ou du côté gauche (modèles de 19 et 21 pi³) Enlever l'entretoise en plastique noir (modèles de 22, 25 et 27 pi³). Plier le panneau à l'envers.

- Enlever l'écrou et le manchon en laiton de l'adaptateur. Les glisser ensuite sur l'extrémité de la conduite en cuivre. Insérer cette dernière à fond dans l'adaptateur. Vérifier que la rondelle d'étanchéité du tuyau est bien en place dans le raccord. Serrer l'adaptateur à la main sur la soupape d'eau. Serrer d'un demi-tour supplémentaire à l'aide d'une clé à molette et de pinces. Visser l'écrou de la conduite en cuivre sur l'adaptateur. Vérifier que la conduite en cuivre est bien en place en tirant dessus.



- Ouvrir l'arrivée d'eau du réfrigérateur et vérifier qu'il n'y a pas de fuite. Réparer toute fuite éventuelle.

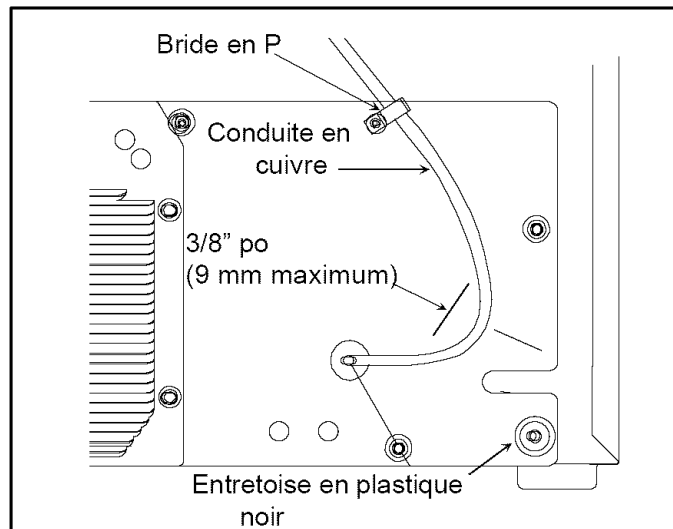


MISE EN GARDE

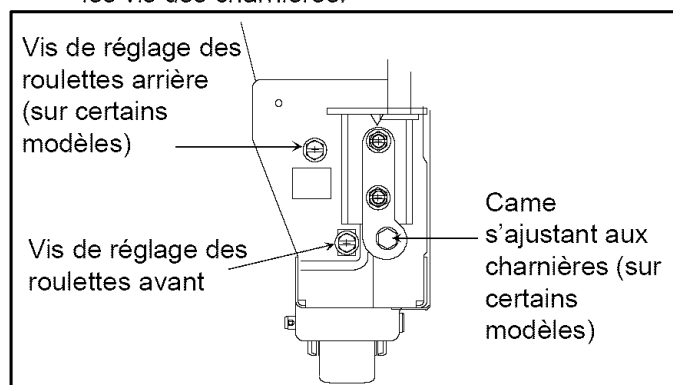
Pour éviter tout risque d'électrocution pouvant causer des blessures graves, voire mortelles, remettre tous les panneaux arrière en place avant de brancher le réfrigérateur.

- Replacer les vis du panneau enlevé précédemment dans la partie arrière inférieure et l'entretoise en plastique noir.

- Former des boucles dans la conduite prenant soin de ne pas créer des coques pour faciliter l'accès au réfrigérateur par la suite. **Fixer la conduite en cuivre au réfrigérateur à l'aide de la bride en P. La conduite en cuivre ne doit pas dépasser l'arrière de plus de 3/8 po (9 mm).**



- Brancher le cordon d'alimentation.
- Déplacer le réfrigérateur à l'endroit désiré.
- Mettre le réfrigérateur de niveau et aligner les portes.
 - Enlever la grille inférieure.
 - Tourner la vis de réglage du rouleau pour élever ou abaisser le réfrigérateur jusqu'à ce qu'il soit stable. Certains modèles sont équipés de roulettes réglables à l'arrière et à l'avant.
 - Modèles avec came s'ajustant aux charnières**
Si les parties supérieures des portes ne sont pas alignées suite à la mise à niveau, desserrer les vis des charnières de la porte du réfrigérateur d'un demi-tour. Tourner la came dans le sens horaire, un incrément à la fois, jusqu'à ce que les portes soient alignées. Ouvrir et fermer les portes. Serrer les vis des charnières.



- Vérifier la « Liste de contrôle d'installation » dans le manuel du propriétaire avec le client.

Liste de contrôle d'installation

Cette liste de contrôle d'installation est présentée pour usage personnel seulement.

Propriétaire Installateur

Portes

Les portes sont alignées les unes sur les autres. (Après avoir placé de la nourriture dans le réfrigérateur, le propriétaire devrait vérifier l'alignement des portes.)

Les portes sont bien scellées au meuble du réfrigérateur.

Les poignées sont solidement fixées aux portes.

Modèles avec distributeur Ice 'N' Water™ et modèles électroniques Touchmatic™

Si l'installation du réfrigérateur nécessite l'enlèvement des portes, les serre-fils des charnières supérieures sont branchés de nouveau.

Mise à niveau

Le réfrigérateur est stable.

La grille est bien fixée au réfrigérateur.

Appareil à glaçons

L'alimentation en eau du réfrigérateur fonctionne.

Aucune fuite n'est présente dans le raccord entre l'alimentation en eau de la maison et le réfrigérateur. (Après 24 heures, le propriétaire doit vérifier qu'il n'y a pas de fuite dans le raccord.)

Le bras de l'appareil à glaçons est en position « on » (marche). Celui-ci est donc prêt à fabriquer des glaçons. (La fabrication du premier lot de glace peut prendre jusqu'à 24 heures.)

Documentation concernant le produit

Le manuel du propriétaire doit comprendre les renseignements suivants :

- carte d'enregistrement de l'appareil,
- commandes Fresh Food et Deepfreeze®,
- système Chiller Fresh™,
- bacs à légumes Garden Fresh™,
- bruits de fonctionnement normaux.

Notes

Signature du propriétaire

Nom de l'entreprise de l'installateur

Signature de l'installateur Numéro de téléphone

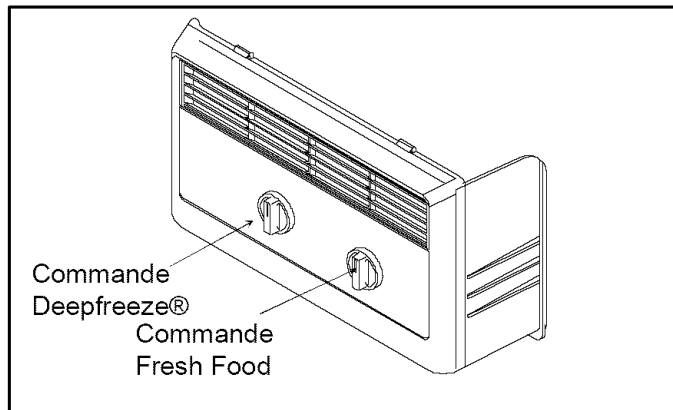
Date

Commandes

Ce réfrigérateur fonctionne de façon plus efficace lorsque la température ambiante se situe entre 55 et 110 °F (13 à 43 °C).

Commandes Deepfreeze® et Fresh Food

Les commandes Deepfreeze® et Fresh Food sont situées sur la partie arrière supérieure du compartiment Fresh Food®.



Lorsque la commande Deepfreeze® est en position « off » (arrêt), ni l'un ni l'autre des compartiments Fresh Food ou Deepfreeze® ne se refroidiront. Au départ, régler ces deux commandes sur 4. Attendre 24 heures avant que les compartiments Fresh Food et Deepfreeze® n'aient atteint les températures désirées. Après 24 heures, régler les commandes sur les valeurs désirées 1 chiffre à la fois. Le réglage le plus chaud est 1 tandis que 7 est le réglage le plus froid.

Réglage des commandes

Régler les commandes avec précision à l'aide d'un thermomètre domestique dont les températures se situent entre -5 et 50 °F (-21 et 10 °C).

Placer le thermomètre entre les emballages congelés dans le compartiment Deepfreeze®. Attendre 5 à 8 heures. Si la température Deepfreeze® ne se situe pas entre 0 et 2 °F (-17 et -16 °C), régler la commande, 1 chiffre à la fois. Vérifier de nouveau après 5 à 8 heures.

Placer le thermomètre dans un verre d'eau au milieu du compartiment Fresh Food. Attendre 5 à 8 heures. Si la température du compartiment Fresh Food ne se situe pas entre 38 et 40 °F (3 et 4 °C), régler la commande, 1 chiffre à la fois. Vérifier de nouveau après 5 à 8 heures.

Caractéristiques Fresh Food



Attention

Pour éviter tous dégâts matériels, s'assurer que la clayette est bien installée avant de placer des articles sur celle-ci.

Clayettes Fresh Food

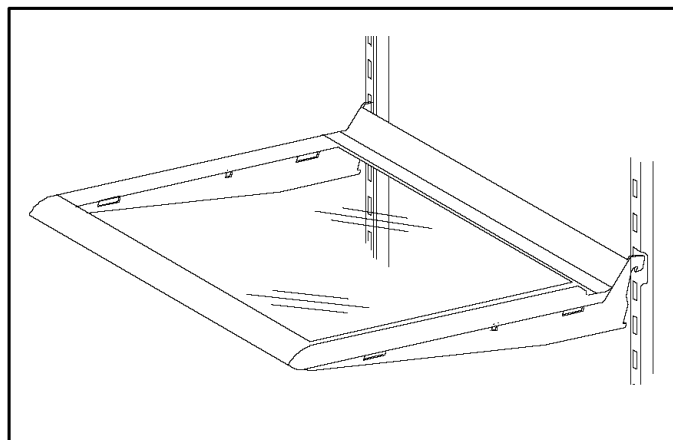
Les modèles comportent des clayettes en métal ou en verre qui s'ajustent vers le haut ou le bas pour satisfaire aux besoins individuels de rangement. Certains modèles sont équipés de clayettes Spillsaver™. Celles-ci sont conçues pour retenir les liquides renversés afin de faciliter le nettoyage.



Attention

Pour éviter tous dégâts matériels ou toutes blessures, manipuler les clayettes en verre trempé avec soin. Les clayettes peuvent se casser soudainement si elles sont entaillées, égratignées ou exposées à un changement soudain de température.

- Enlever les clayettes en soulevant le devant et en relâchant les crochets de la crémaillère métallique, puis en tirant.
- Replacer les clayettes en insérant les crochets dans la crémaillère métallique et en rabaisant le devant.



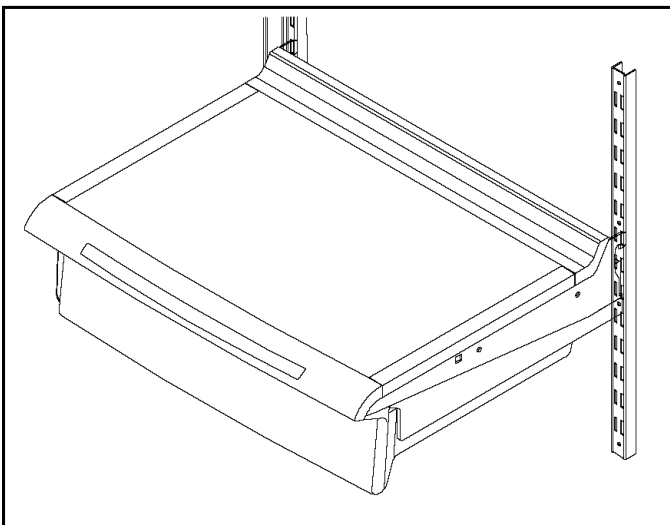
Système Chiller Fresh™ (sur certains modèles)

Le système Chiller Fresh™ se compose d'un tiroir entouré d'un manchon. De l'air circule entre le tiroir et le manchon, gardant ainsi les aliments frais plus longtemps et à une température jusqu'à 5 °F (3 °C) plus froide que dans le reste du compartiment Fresh Food.

Localiser, sous les moulures avant de la clayette, le réglage Chiller Fresh™ permettant de moduler la circulation de l'air du compartiment congélateur entre le tiroir et le manchon. Faire coulisser le thermostat sur « cold » (froid) pour obtenir une température similaire à celle du compartiment Fresh Food et sur « coldest » (le plus froid) pour une température plus froide. Des cristaux de glace peuvent se former dans le tiroir sur le réglage

« coldest ». L'air froid qui circule autour du tiroir peut légèrement faire baisser la température du compartiment Fresh Food, dont le thermostat peut devoir être modifié.

- Pour enlever le tiroir, le soulever et tirer. Pour enlever la clayette, en soulever l'avant et dégager les crochets de la crémaillère métallique, puis tirer vers soi.
- Pour remettre la clayette en place, insérer les crochets sur la crémaillère métallique et abaisser l'avant. Utiliser les encoches entre la 8^e et la 11^e incluses. Pour remettre le tiroir, le faire glisser en place. Vérifier que la gaine est bien ajustée sur l'arrivée d'air sur la paroi latérale.
- Il est normal que des gouttelettes d'eau ou du givre apparaissent sur la sortie d'air du système Chiller Fresh™ lorsqu'il fait très humide ou que la porte est fréquemment ouverte. La sortie d'air système Chiller Fresh™ se trouve entre la paroi gauche du réfrigérateur et la clayette Chiller Fresh™.



Tiroir à Charcuterie (Certains modèles)

- Retirez le tiroir en le soulevant et en tirant sur celui-ci. Retirez l'étagère en soulevant le devant de celle-ci, en dégageant les crochets des rails métalliques puis en tirant.
- Remplace l'étagère en insérant les crochets dans les rails métalliques et en abaissant le devant. Remettez le tiroir en place en le faisant glisser vers l'avant.

Bacs à légumes Garden Fresh™

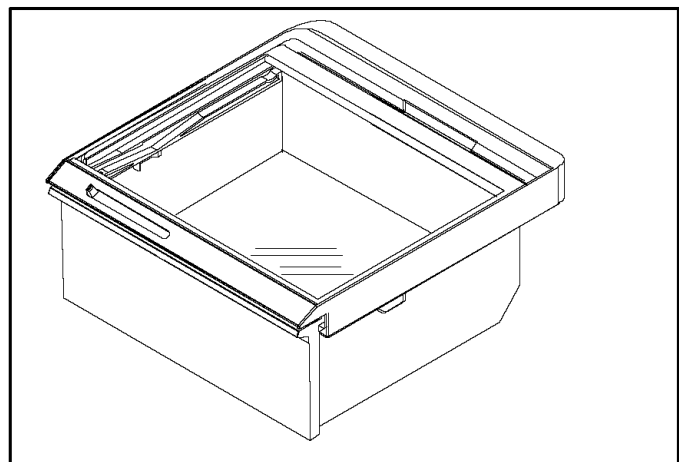
Les bacs à légumes Garden Fresh™ permettent de conserver la fraîcheur des aliments plus longtemps. Envelopper les aliments hermétiquement. Ne pas les laver avant de les placer dans les bacs. L'humidité excessive peut gâter les aliments prématurément. Ne pas étendre d'essuie-tout dans les tiroirs, car ce type de papier retient l'humidité.

La commande du bac à légumes Garden Fresh™ est située sous les moulures avant. La commande règle le taux d'humidité des bacs. La mettre sur « high » (élevé) pour les aliments feuillus tels que la laitue, les épinards ou le chou. La mettre sur « low » (faible) pour les aliments à peau tels que le chou-fleur, le maïs ou les tomates.



Attention

Pour éviter tous dégâts matériels ou toutes blessures graves, manipuler les clayettes en verre trempé avec soin. Les clayettes peuvent se casser soudainement si elles sont entaillées, égratignées ou exposées à un changement soudain de température.



Enlever la clayette et les bacs à légumes Garden Fresh™ en procédant de la façon suivante :

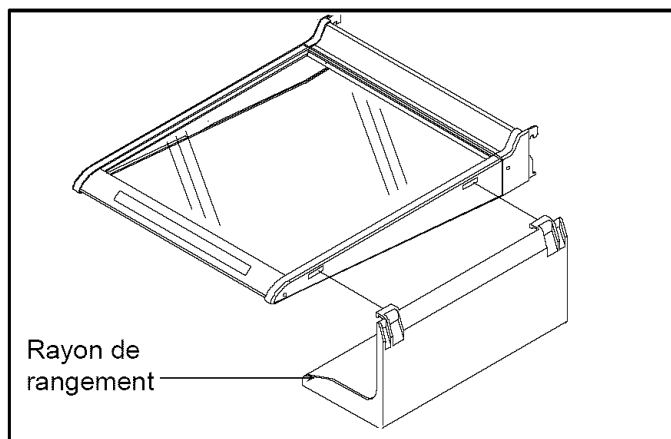
1. Ouvrir le bac à légumes.
2. Retirer la clayette en la soulevant doucement par en dessous. Incliner une extrémité en haut et tirer vers soi.
3. Retirer le bac à légumes en soulevant la partie avant tout en soutenant le dessous, puis tirer vers soi.
4. Replacer les bacs à légumes et la clayette en procédant à l'inverse des étapes 1 à 3.

Rayon de rangement (certains modèles)

Le rayon de rangement permet de ranger facilement des articles tels qu'une grosse bouteille, des oeufs, etc.

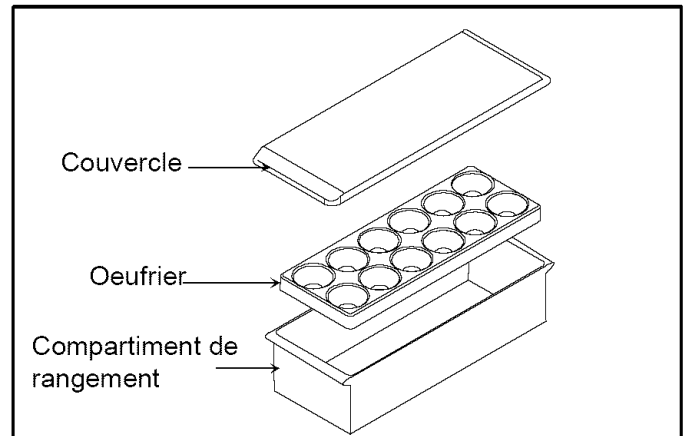
Selon l'emplacement de la clayette, suspendre le rayon en suivant l'une des méthodes suivantes. Le rayon ne peut être installé à côté de l'ampoule électrique du compartiment Fresh Food.

- Enlever la clayette en soulevant la partie avant et en relâchant les crochets de la crémaillère métallique, puis en tirant vers soi. Suspendre le rayon en insérant les attaches dans les ouvertures prévues à cet effet sur le côté de la clayette. Replacer celle-ci en insérant les crochets dans la crémaillère métallique et en abaissant la partie avant.
- Faire glisser le rayon le long de la clayette jusqu'à ce que les attaches soient insérées dans les ouvertures.



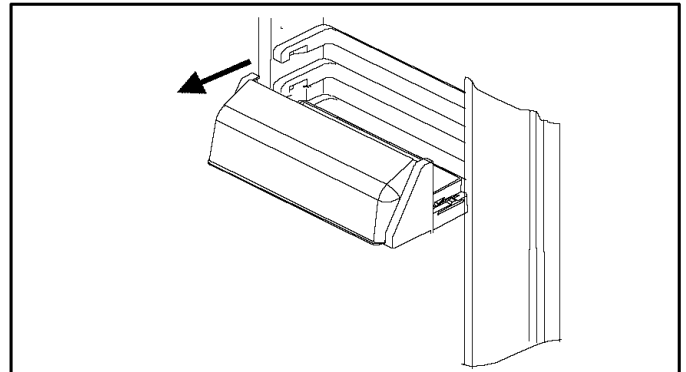
Compartiment de rangement couvert (certains modèles)

Le compartiment de rangement possède un couvercle et un oeufrier amovible. Lorsque l'oeufrier est enlevé, le compartiment peut contenir des articles tels qu'un carton d'oeufs standard, des glaçons, etc.



Casier laitier (certains modèles)

Le casier laitier offre un espace de rangement pour des articles tels que le beurre, le fromage, etc.

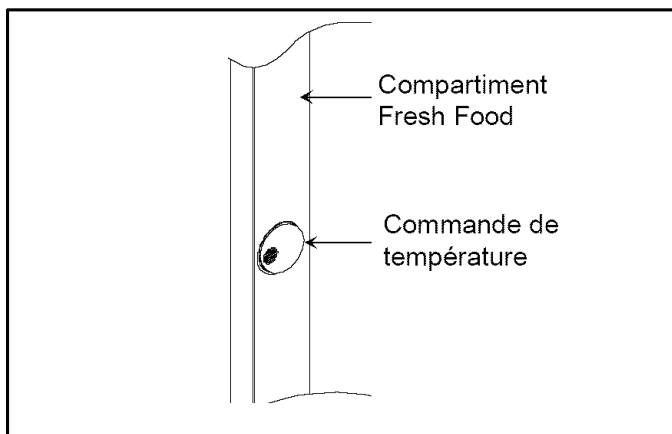


Température contrôlée Fresh Food porte (certains modèles)

L'entrée d'air permet à l'air du compartiment Deep-freeze® de circuler dans le refroidisseur de boissons. L'entrée d'air est située dans la paroi intérieure de la porte du compartiment Fresh Food.

Le refroidisseur de boissons est situé sur la paroi avant gauche du compartiment Fresh Food. La commande règle la quantité d'air circulant dans le refroidisseur de boissons. Tourner la commande sur « cold » (froid) pour obtenir la température normale du compartiment Fresh Food et sur « colder » (plus froid) pour une température plus froide.

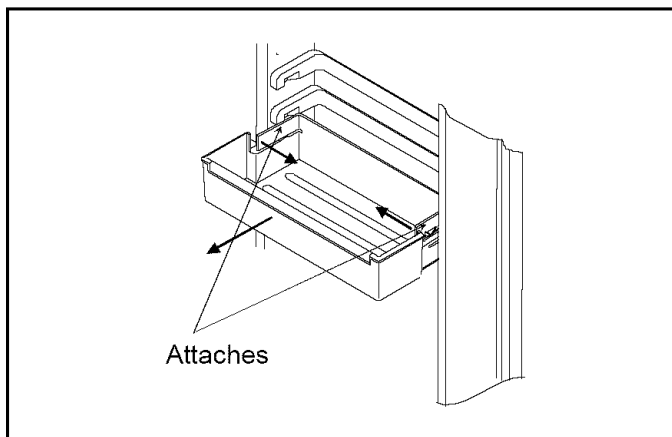
- Il est normal que des gouttelettes d'eau ou du givre apparaissent sur le système Beverage Chiller™ lorsqu'il fait très humide ou que la porte est fréquemment ouverte. Réduire les gouttelettes d'eau ou le givre en tournant la commande du système Beverage Chiller™ dans le sens inverse des aiguilles d'une montre.



Compartiments de porte

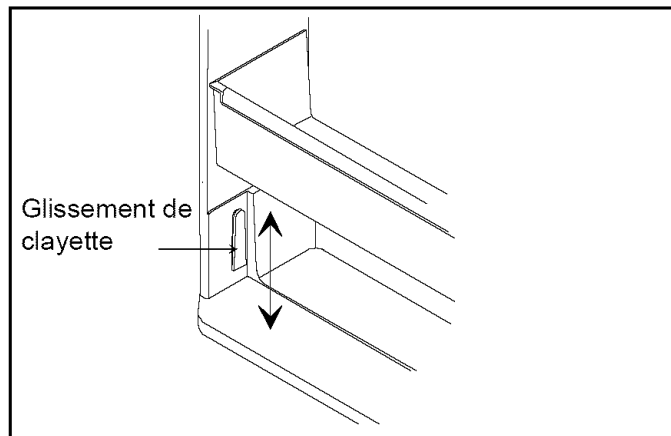
Les compartiments de porte sont ajustables pour s'adapter aux besoins de rangement.

- Enlever les compartiments de porte en poussant les attaches vers le centre et en tirant.
- Replacer les compartiments de porte en les faisant glisser jusqu'à ce que les attaches soient bien verrouillées.

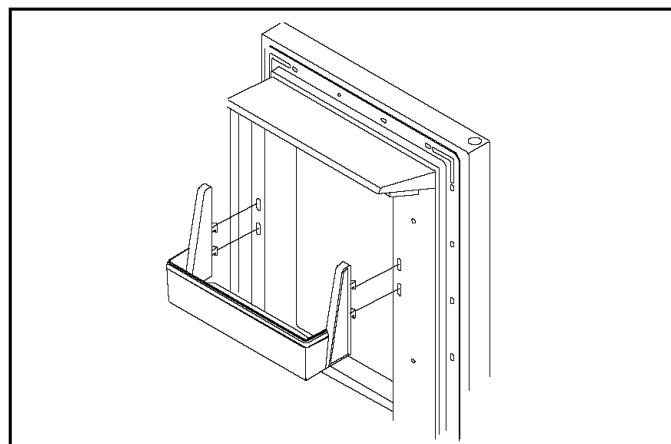


Clayettes de porte

- Enlever les clayettes de porte coulissantes en soulevant les extrémités et en tirant vers soi.
- Replacer les clayettes de porte coulissantes en plaçant la clayette sur les glissements et en la faisant glisser vers le bas.



- Enlever les clayettes de porte crochetées en soulevant les extrémités et en relâchant les crochets sur le dessous de la clayette.
- Replacer les clayettes de porte crochetées en insérant les crochets et en abaissant le dessous de la clayette. Pousser vers le bas sur les extrémités.



Attention

Pour éviter tous dégâts matériels, s'assurer que la clayette est bien fixée avant de placer des articles sur celle-ci.

Caractéristiques Deepfreeze®

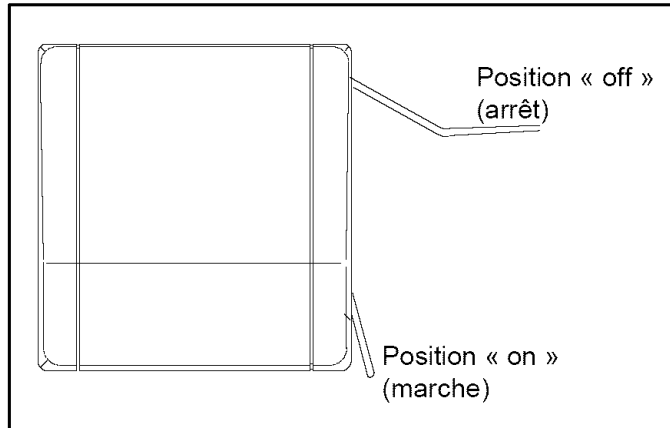


Attention

Pour éviter tous dégâts matériels, s'assurer que la clayette est bien fixée avant de replacer des articles sur celle-ci.

Appareil à glaçons automatique

- S'assurer que le seau est en place et que le bras de l'appareil est tourné vers le bas.



- Après que le compartiment Deepfreeze® a atteint une température normale, l'appareil à glaçons se remplit d'eau et commence à fonctionner. Attendre 24 à 48 heures suite à l'installation avant que le premier lot de glaçons ne soit fabriqué. L'appareil à glaçons fabrique de 7 à 9 lots de glaçons durant une période de 24 heures dans des conditions idéales.
- Après que la glace s'est formée, l'appareil à glaçons laisse tomber les glaçons dans le seau à glace. Durant la fabrication des glaçons, le bras de l'appareil à glaçons se lève et s'abaisse. Lorsque le seau à glace est plein, le bras de l'appareil à glaçons arrête celui-ci. Jeter les trois premiers lots de glaçons suite au branchement du réfrigérateur à l'alimentation en eau domestique et après une période prolongée d'inutilisation.
- Soulever le bras de l'appareil à glaçons pour cesser la fabrication de glaçons. Un déclic se fait entendre lorsque la position correcte est atteinte. Le bras de l'appareil à glaçons demeure en position « off » (arrêt) jusqu'à ce qu'il soit poussé vers le bas.



Attention

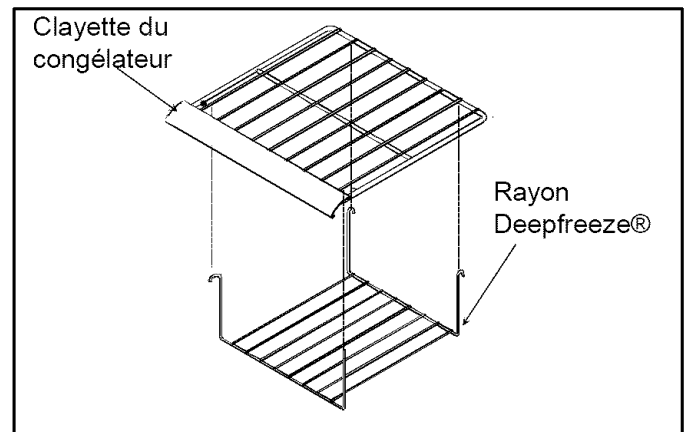
Pour éviter d'endommager l'appareil à glaçons, observer les consignes suivantes :

- Ne pas forcer le bras de l'appareil à glaçons vers le haut ou vers le bas.
- Ne jamais ranger quoi que ce soit dans le seau à glace.

Rayon Deepfreeze® (certains modèles)

Le rayon Deepfreeze® retient les bacs à glaçons et offre un espace de rangement supplémentaire.

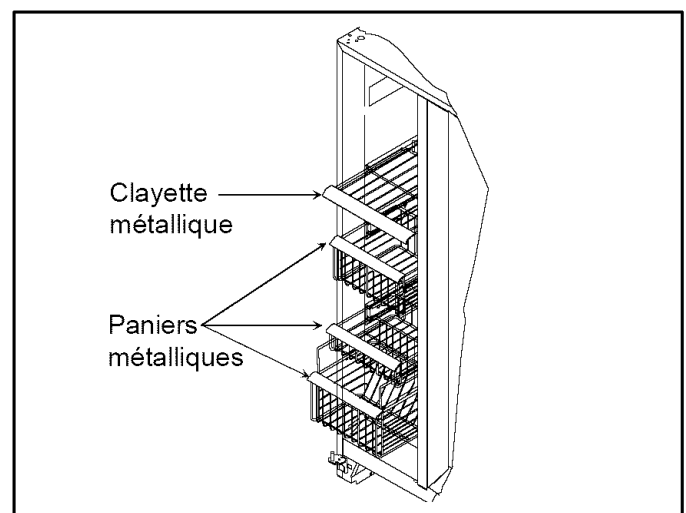
- Enlever le rayon Deepfreeze® en le soulevant et en poussant les crochets avant vers l'intérieur pour les retirer de la clayette. Tirer l'avant du rayon vers le bas. Pousser les crochets vers l'intérieur pour retirer les crochets arrière de la clayette. Faire glisser le rayon hors de la clayette.
- Replacer le rayon Deepfreeze® en poussant les crochets arrière vers l'intérieur et en plaçant les crochets par-dessus la clayette. Pousser les crochets avant vers l'intérieur et placer les crochets par-dessus la clayette.



Système Stor-Mor®

Les clayettes et les paniers métalliques peuvent coulisser vers l'avant pour faciliter l'accès aux articles rangés à l'arrière et peuvent être réglés de façon à satisfaire aux besoins individuels de rangement.

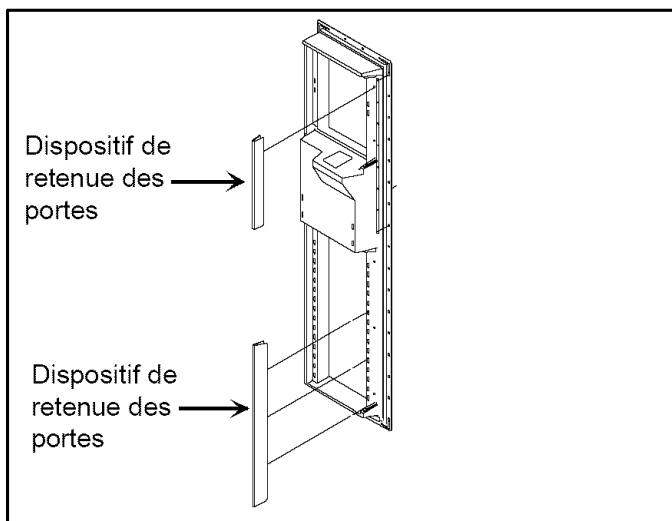
- Retirer les clayettes et les paniers en les soulevant et en tirant vers soi.
- Replacer les clayettes et les paniers en les installant sur les crémaillères latérales. Les faire glisser en ligne droite et vers l'arrière jusqu'à ce que le bouton rond soit derrière l'arrêt de la crémaillère.



Dispositifs de retenue des portes (certains modèles)

Les dispositifs de retenue des portes se détachent pour faciliter le retrait des paniers et clayettes Deepfreeze®.

- Enlever le dispositif de retenue des portes en le tirant vers soi.
- Replacer le dispositif de retenue en l'alignant sur les extrusions sur la porte du compartiment Deepfreeze®. Pousser jusqu'à ce que le dispositif de retenue soit bien en place.



Distributeur Ice 'N' Water™ (certains modèles)



Attention

Pour éviter tous dommages matériels ou blessures, procéder comme suit :

- Ne pas faire fonctionner le distributeur avec la porte du compartiment Deepfreeze® ouverte.
- Ne pas mettre les doigts, les mains ou un objet quelconque dans l'ouverture du distributeur.
- Ne pas utiliser d'objets pointus pour casser la glace.

Fonctionnement du distributeur d'eau

Allouer approximativement une minute après le raccordement du réfrigérateur à l'alimentation en eau avant que le distributeur d'eau se mette en marche. Jeter les 10 à 14 premiers récipients d'eau tirés après le raccordement du réfrigérateur à l'alimentation en eau ou lorsque le distributeur n'a pas fonctionné durant une certaine période de temps.

- Pour prendre de l'eau, pousser avec un récipient résistant à large ouverture sur le mécanisme.
- Pour fermer l'eau, cesser de pousser sur le mécanisme. Il se peut que l'eau continue de couler un peu. Le trop-plein n'a pas d'évacuation et si une quantité excessive d'eau s'y trouve renversée, il faut l'éponger et essuyer le trop-plein.

Fonctionnement du distributeur de glaçons



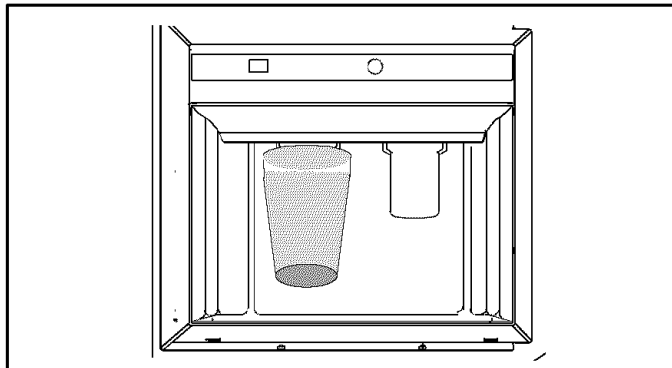
Attention

Pour éviter tous dommages matériels, ne pas mettre de glace directement dans des articles en verre, porcelaine ou cristal délicat.

- Sélectionner le mode glaçons ou glace pilée à l'aide du levier du distributeur. Pour prendre des glaçons, pousser avec un récipient à large ouverture sur le mécanisme.

Important

Tenir le récipient directement sous l'ouverture de l'appareil et aussi haut que possible pour éviter que les morceaux de glaçons n'éclaboussent.



- Pour arrêter la production de glace, cesser de pousser sur le mécanisme avant que le récipient ne soit plein. Un peu de glace va continuer à tomber. Ne pas retirer le récipient avant que la glace ait cessé de tomber.

Si de la glace est produite de façon continue, le moteur du distributeur s'arrête au bout de trois à cinq minutes. Il se remet en état de marche au bout de trois minutes et la production de glace peut recommencer.

Lorsqu'on passe du mode glaçons au mode glace pilée, l'appareil ne fonctionne pas immédiatement dans ce nouveau mode et les morceaux de glace pilée sont de tailles et formes différentes. De la « neige » peut se former sur la porte et sur l'ouverture du distributeur lors de la production répétée de glace pilée. Laisser cette « neige » s'évaporer ou l'essuyer.

Le distributeur fonctionne uniquement avec des glaçons de la taille et de la forme (en croissant) appropriée. Ne pas ajouter de glaçons du commerce ou autres.

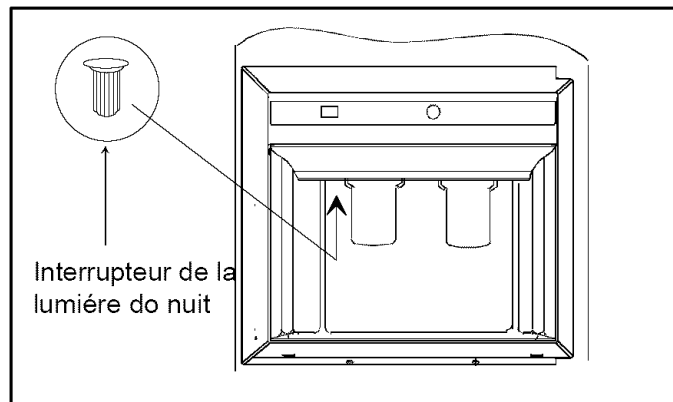
Retrait du bac à glace

- Pour retirer le bac à glace, le soulever et tirer vers l'avant.
- Pour remettre le bac à glace en place, le faire glisser jusqu'à ce qu'il s'enclenche en place afin que le distributeur de glace fonctionne correctement. Si la porte du compartiment Deepfreeze® ne ferme pas, le bac n'est pas au bon endroit.

Éclairage du distributeur (certains modèles)

Lorsqu'on prend de l'eau ou de la glace, une lumière s'allume au niveau du distributeur. Certains modèles comportent une lumière de nuit.

- Pour désactiver la lumière de nuit, appuyer sur l'interrupteur situé sous le distributeur et à gauche du mécanisme.



Entretien et nettoyage

Goût et odeur de l'eau

Procéder comme suit pour réduire au minimum les problèmes de goût et d'odeur :

- Placer la nourriture dans des récipients ou des sacs étanches et hermétiquement fermés.
- Poser un filtre à eau, pièce n° R0183114 sur la conduite d'eau.
- Contacter une société de traitement des eaux locales pour vous assurer l'assistance de spécialistes si vos difficultés persistent.



MISE EN GARDE

Pour éviter tout risque d'électrocution qui pourrait causer des blessures graves, voire mortelles, débrancher le courant du réfrigérateur avant de procéder au nettoyage. Après le nettoyage, brancher de nouveau le courant.



Attention

Pour éviter tous dégâts matériels ou toutes blessures corporelles, lire et suivre toutes les directives du fabricant des produits de nettoyage de l'appareil.

Général

1. Nettoyer les surfaces avec 4 c. à table de bicarbonate de soude dissout dans un litre d'eau tiède et un linge doux et propre.
2. Rincer les surfaces à l'eau tiède et les essuyer avec un linge doux et propre.

- Ne pas utiliser les articles suivants :
- produits nettoyants abrasifs ou décapants, ammoniacs, javellisants, etc.
- détergents ou solvants concentrés
- tampons à récurer métalliques

Ces articles peuvent égratigner, craqueler ou décolorer les surfaces.

- Ne pas placer les bacs, clayettes, etc. dans le lave-vaisselle

Suppression des odeurs

1. Enlever toute la nourriture et débrancher le courant du réfrigérateur.
2. Nettoyer toutes les surfaces intérieures, notamment la partie supérieure, la partie inférieure et les parois conformément aux instructions générales. Porter une attention spéciale aux coins, fissures et rainures, de même qu'aux tiroirs, clayettes et joints.
3. Brancher le courant du réfrigérateur et y replacer la nourriture. Nettoyer et essuyer toutes les bouteilles, tous les contenants et les pots. Emballer la nourriture dans des contenants scellés hermétiquement afin de prévenir l'émanation d'odeurs. Après 24 heures, vérifier si l'odeur persiste.

Si l'odeur persiste, procéder de la façon suivante:

4. Recommencer les étapes 1 et 2.
5. Placer les légumes croquants du jardin sur la clayette supérieure du compartiment Fresh Food. Recouvrir les compartiments Fresh Food et Deepfreeze®, y compris les portes, avec des feuilles de papier journal noir et blanc chiffonnées.

6. Disposer les briquettes de charbon de bois un peu partout sur le papier journal.
7. Fermer les portes et laisser en place durant 24 à 48 heures.
8. Enlever les briquettes de charbon de bois et les journaux.
9. Recommencer les étapes 2 et 3.

Contactez le service à la clientèle si l'odeur persiste. Voir la section "Identification du modèle" pour connaître le numéro de téléphone.

Adhésifs

1. Enlever les résidus de colle en frottant l'adhésif avec du dentifrice jusqu'à ce que celui-ci se décolle.
2. Rincer la surface à l'eau tiède. L'essuyer avec un linge doux et propre.

Joint de porte

1. Nettoyer les joints de porte tous les 3 mois conformément aux instructions générales.
2. Appliquer une mince couche de gelée de pétrole afin de maintenir la souplesse des joints.

Bobines de condensateur

Nettoyer la bobine de condensateur tous les 3 mois afin d'assurer un rendement maximum du réfrigérateur. La poussière accumulée et les peluches peuvent entraîner les problèmes suivants :

- refroidissement moins efficace
 - consommation d'énergie plus élevée
 - défaillance prématurée du compresseur
1. Enlever la grille en tenant les extrémités et en tirant vers l'avant.
 2. Nettoyer la surface avant de la bobine du condensateur avec le suceur d'un boyau d'aspirateur.
 3. Replacer la grille en insérant les attaches dans les trous et en les mettant en place avec un claquement.



Attention

Pour éviter tous dégâts matériels, recouvrir les tuiles de vinyle ou autre type plancher avec du carton, des tapis ou autre matériel de protection avant de déplacer le réfrigérateur.

4. Tirer le réfrigérateur loin du mur. Passer l'aspirateur sur la grille de sortie d'aération du condensateur à l'arrière du réfrigérateur.

Clayettes en verre



Attention

Pour éviter tous dégâts matériels ou toutes blessures corporelles, manipuler les clayettes en verre trempé avec soin. Celles-ci peuvent casser soudainement si elles sont entaillées, égratignées ou exposées à un changement soudain de température.

Enlever la clayette en soulevant le devant, en relâchant les crochets de la crémaillère en métal, puis en tirant. Placer la clayette sur une serviette. La laisser s'adapter à la température ambiante avant de procéder au nettoyage.

Nettoyer les fentes en suivant ces étapes :

1. Diluer un détergent doux et appliquer la solution à l'intérieur des fentes en brossant celles-ci à l'aide d'une brosse à poils en plastique. Laisser pénétrer durant 5 minutes.
2. Vaporiser de l'eau tiède à l'intérieur des fentes à l'aide d'un vaporisateur conçu à cet effet.
3. Bien essuyer la clayette et replacer celle-ci en insérant les crochets dans la crémaillère en métal et en rabaisant le devant.

Ampoules électriques



MISE EN GARDE

Pour éviter tout risque d'électrocution pouvant causer des blessures graves, voire mortelles, débrancher le courant du réfrigérateur avant de replacer l'ampoule. Après avoir remplacé l'ampoule, brancher de nouveau le courant.



Attention

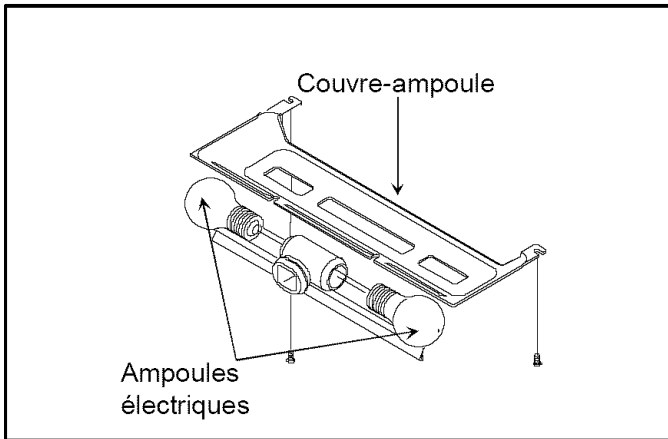
Pour éviter toutes blessures corporelles ou tous dégâts matériels, veuillez observer les consignes suivantes :

- Laisser l'ampoule refroidir.
- Porter des gants durant le remplacement de l'ampoule électrique.

Compartiments juxtaposés

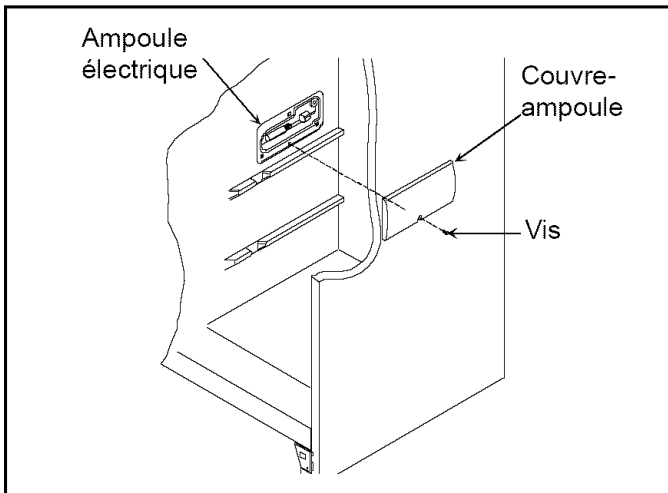
Partie supérieure du compartiment Fresh Food

- Retirer le couvre-ampoule en enlevant les écrous hexagonaux de 1/4 po. Remplacer l'ampoule par une autre de 40 watts conçue pour les appareils électroménagers.
- Remettre le couvre-ampoule en place en revissant les écrous hexagonaux de 1/4 po.



Partie inférieure du compartiment Fresh Food (certains modèles)

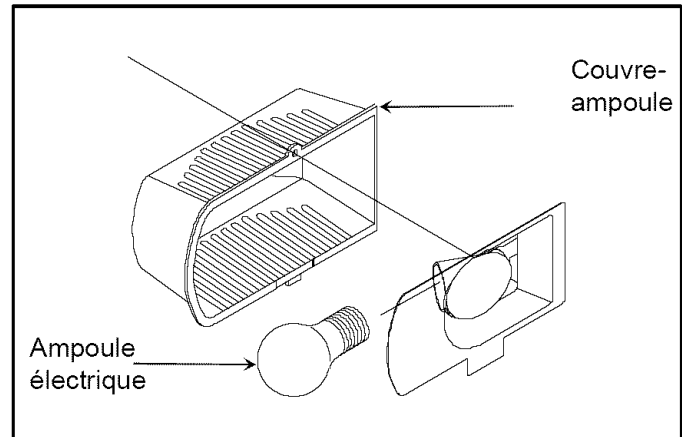
- Retirer le couvre-ampoule en enlevant la vis. Remplacer l'ampoule par une autre de type tubulaire de 40 watts.
- Remettre le couvre-ampoule en l'installant par-dessus l'ampoule. Insérer une vis.



Compartiment Deepfreeze®

1. Enlever le bac à glace. Pour cela, le soulever et le tirer vers l'avant.
2. Retirer le couvre-ampoule en enlevant la vis. Remplacer l'ampoule par une autre de 40 watts.
3. Remettre le couvre-ampoule en le tenant en place au-dessus de l'ampoule. Insérer une vis.

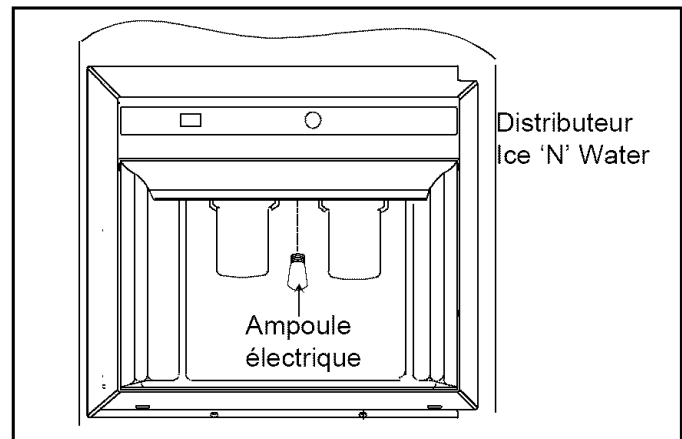
4. Pour remplacer le bac à glace, le faire glisser à l'intérieur jusqu'à ce qu'il soit bien en place.



Distributeur Ice 'N' Water™ (certains modèles)

L'ampoule se trouve entre les bras du distributeur.

- La dévisser et remplacer par une ampoule de 6 W et 120 V.
- Pour remplacer l'ampoule, insérer et serrer la nouvelle ampoule.



Conseils pour économiser l'énergie

Cet appareil est conçu pour être l'un des réfrigérateurs les plus économiques en matière d'énergie sur le marché actuel. La mise en pratique des conseils suivants permet de réduire la consommation d'énergie.

- Faire fonctionner à la température ambiante normale se situant entre 55 et 110 °F (13 à 43 °C) loin des sources de chaleur et du soleil.
- Ne pas régler les commandes des systèmes Fresh Food, Deepfreeze^{4,22} et Chiller FreshTM sur une température plus froide que nécessaire.
- Garder le compartiment Deepfreeze[®] toujours plein.
- Garder les joints de porte propres et flexibles. Remplacer les joints usés.
- Garder les bobines de condensateur propres.

Conseils pour les vacances

Procéder de la façon suivante avant de partir en vacances pour une courte durée.

1. Enlever les aliments périssables. **La garantie ne couvre pas la perte de nourriture.** Consulter le certificat de garantie pour connaître la couverture applicable.
2. Si un appareil à glaçons est installé, placer le bras de l'appareil à glaçons vers le haut en position arrêt.

Procéder de la façon suivante avant de partir en vacances pour une longue durée.

1. Vider les compartiments Fresh Food et Deepfreeze[®].
2. Débrancher le réfrigérateur.
3. Nettoyer le réfrigérateur et les joints de porte conformément aux instructions générales énoncées dans la section "Entretien et nettoyage".
4. Laisser les portes ouvertes afin que l'air circule librement à l'intérieur.
5. Si un appareil à glaçons est installé, fermer l'alimentation en eau du réfrigérateur et déplacer le bras de l'appareil à glaçons vers le haut en position arrêt.

Bruits de fonctionnement normaux

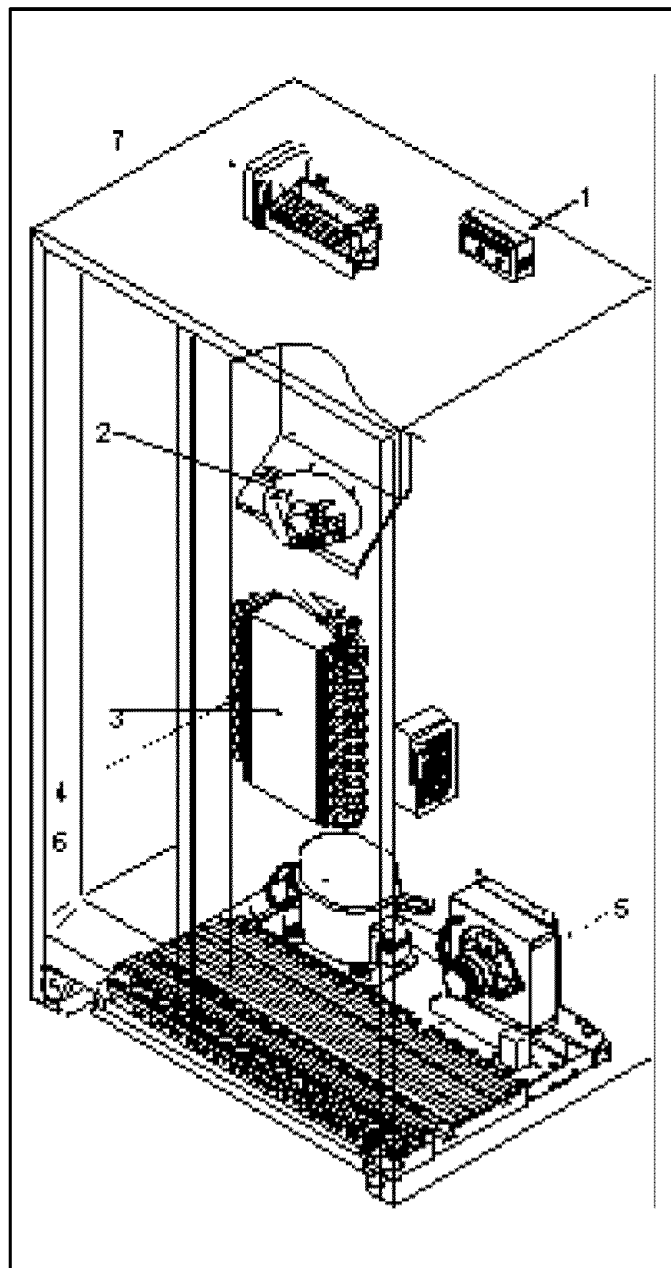
Ce nouveau réfrigérateur remplace probablement un réfrigérateur conçu de façon différente, plus petit ou moins efficace. Les réfrigérateurs modernes possèdent de nouvelles caractéristiques et utilisent l'énergie de façon plus efficace. Par conséquent, certains bruits ne seront pas familiers mais le deviendront bientôt car ils sont normaux. Ces bruits indiquent également que le réfrigérateur fonctionne bien et offre le rendement attendu.

1. **La commande Deepfreeze®** émet un déclic lorsque le compresseur se met en marche ou s'arrête.
2. **Le ventilateur Deepfreeze®** ronronne ou propulse l'air.
3. Le flux de réfrigérant du **système hermétique** (évaporateur et échangeur de chaleur) gargouille, éclate ou émet le son de l'eau qui bout.
4. **Le dégivreur** grésille, siffle ou éclate.
5. **Le ventilateur du condensateur** ronronne ou propulse l'air.
6. **Le compresseur** émet un son aigu ou un vrombissement.
7. **Les glaçons** fabriqués par l'appareil à glaçons (sur certains modèles) tombent dans le seau à glace.

Le broyeur à glaçons (sur les modèles comprenant un distributeur Ice 'N' Water™) émet un vrombissement lorsqu'il agite la glace pendant la distribution. Il est situé dans la porte du compartiment congélateur.

Le raccord de la soupape d'eau de l'appareil à glaçons (sur certains modèles) bourdonne lorsque l'appareil à glaçons se remplit d'eau. Cela se produit que le réfrigérateur soit branché ou non à l'alimentation en eau. S'il n'est pas branché, le bruit s'arrêtera lorsque le bras de l'appareil à glaçons est soulevé en position arrêt. Le raccord de la soupape d'eau est situé à l'arrière, dans le coin inférieur gauche.

L'isolant mousse permet d'économiser une grande quantité d'énergie et possède d'excellentes qualités isolantes. Cependant, il n'est pas aussi capable d'amortir le bruit que l'isolant en fibre de verre utilisé auparavant.



Avant d'appeler le technicien

Le réfrigérateur ne fonctionne pas.

- S'assurer que la commande Deepfreeze® est en position « on » (marche).
- S'assurer que le réfrigérateur est branché.
- Vérifier le fusible ou le disjoncteur. Brancher un autre appareil dans la prise de courant.
- Attendre 40 minutes pour vérifier si le réfrigérateur se remet en marche. Si la commande Deepfreeze® est en marche, et que les lumières fonctionnent, mais que les 2 ventilateurs et le compresseur ne fonctionnent pas, le réfrigérateur est probablement en cycle de dégivrage.

Le réfrigérateur ne fonctionne toujours pas.

- Débrancher le réfrigérateur. Transférer la nourriture dans un autre réfrigérateur ou verser de la neige carbonique dans le compartiment Deepfreeze® pour conserver les aliments. **La garantie ne couvre pas la perte de nourriture.** Consulter le certificat de garantie pour connaître la couverture applicable.
- Appeler le **1-800-628-5782** à partir des États-Unis et le **1-319-622-5511** à l'extérieur des États-Unis pour connaître le technicien agréé par Amana le plus proche.

La température de la nourriture semble trop élevée.

- Voir les sections précédentes.
- Laisser la nourriture récemment placée dans le réfrigérateur atteindre la température des compartiments Fresh Food ou Deepfreeze®.
- Vérifier si les joints sont hermétiques.
- Nettoyer les bobines de condensateur.
- Régler la commande Fresh Food et ou Deepfreeze®.
- S'assurer que la grille d'aération arrière n'est pas bloquée. Celle-ci est située à gauche derrière le bac à légumes.

La température du système Chiller Fresh™ est trop chaude.

- Régler la commande sur une position plus froide.
- Régler la commande Deepfreeze® sur une position plus froide.

La température de la nourriture est trop froide.

- Nettoyer les bobines du condensateur.
- Régler la commande Fresh Food.
- Régler la commande Deepfreeze® sur une température plus chaude. Attendre plusieurs heures afin que la température atteigne le niveau désiré.

Des gouttelettes d'eau ou du givre apparaissent sur la sortie d'air du système Chiller Fresh™.

- C'est normal lorsqu'il fait très humide ou que la porte est fréquemment ouverte.

Le réfrigérateur fonctionne trop souvent.

- Cela peut être normal afin de maintenir une température constante.
- Les portes ont peut-être été ouvertes trop fréquemment ou durant une période de temps prolongée.
- Laisser la nourriture récemment placée dans le réfrigérateur atteindre la température des compartiments Fresh Food ou Deepfreeze.
- Nettoyer les bobines de condensateur.
- Régler la commande Deepfreeze®.
- Vérifier si les joints sont hermétiques.

Des gouttelettes d'eau se forment à l'intérieur du réfrigérateur.

- Cela est normal durant les périodes d'humidité intense ou si les portes ont été ouvertes fréquemment.

Des gouttelettes d'eau se forment à l'extérieur du réfrigérateur.

- Vérifier si les joints de la porte sont fermés hermétiquement.

Les bacs à légumes Garden Fresh™ ou le système Chiller Fresh™ ne se ferment pas facilement.

- Vérifier si un emballage empêche le tiroir de fermer correctement.
- S'assurer que le tiroir est en place.
- Nettoyer les cannelures du tiroir avec de l'eau tiède savonneuse. Rincer et sécher à fond.
- Appliquer une mince couche de gelée de pétrole dans les cannelures du tiroir.
- S'assurer que le réfrigérateur est de niveau.

Une odeur persiste dans le réfrigérateur.

- Voir les instructions "Suppression des odeurs" dans la section "Entretien et nettoyage".

Le réfrigérateur ou l'appareil à glaçons émet des sons peu familiers ou trop bruyants.

- Cela peut être normal. Voir la section "Bruits de fonctionnement normaux".

Des gouttelettes d'eau ou du givre apparaissent sur la commande du système Beverage Chiller™.

- C'est normal lorsqu'il fait très humide ou que les portes sont fréquemment ouvertes. Réduire les gouttelettes d'eau ou le givre en tournant la commande du système Beverage Chiller™ dans le sens inverse des aiguilles d'une montre.

L'appareil à glaçons ne fabrique pas de glaçons.

- S'assurer que le bras de l'appareil à glaçons est tourné vers le bas.
- S'assurer que l'alimentation en eau domestique atteint la soupape d'eau.
- S'assurer que le faisceau de l'appareil à glaçons est complètement inséré dans les trous appropriés.
- Vérifier si le tuyau de plastique ou de cuivre comporte des entortillements. Les défaire ou remplacer le tuyau.
- Examiner les raccords électriques de la bobine de soupape d'eau et du bloc de raccordement sur le meuble du réfrigérateur.
- S'assurer que la section Deepfreeze fonctionne à la température appropriée.

Les glaçons dégagent une odeur.

- Voir les instructions "Suppression des odeurs" dans la section "Nettoyage et entretien".
- Jeter les glaçons et nettoyer le seau à glace ou les bacs à glaçons plus fréquemment. Les glaçons sont poreux et absorbent les odeurs facilement.

Les glaçons collent les uns aux autres ou "rétrécissent".

- Vider le seau à glace ou les bacs à glaçons plus fréquemment. Si on les laisse trop longtemps dans le congélateur, les glaçons collent les uns aux autres ou rétrécissent.

De la glace se forme dans le tuyau d'entrée de l'appareil à glaçons.

- Vérifier la pression d'eau. Une pression d'eau trop faible cause des fuites dans la soupape. Les soupapes autotaraudeuses font diminuer la pression d'eau. **Amana recommande l'usage d'un tuyau en cuivre pour raccorder la tuyauterie domestique au réfrigérateur. Ne pas utiliser de soupape autotaraudeuse. Amana n'est pas responsable des dommages matériels causés par une installation inadéquate ou un accordement d'eau défaillant.**

Centres de service après-vente agréés

Voici une liste des centres de service après-vente agréés qui desservent la plupart des régions métropolitaines et avoisinantes. Amana possède également un réseau de techniciens indépendants agréés. Appeler le **1-800-628-5782** des États-Unis ou le **1-319-622-5511** de l'étranger pour connaître le centre de service après-vente ou technicien indépendant agréé par Amana le plus près de chez vous. Lorsque vous communiquez avec Amana, veuillez fournir les renseignements concernant l'appareil. Ces renseignements apparaissent sur la plaque du numéro de série située dans le coin supérieur gauche, plafond du compartiment Fresh Food. Les réparations sous garantie doivent être effectuées par un technicien **agréé** par Amana. Cette dernière recommande également de contacter un technicien **agréé** par elle-même si l'appareil nécessite une réparation suite à l'expiration de la garantie.

Amana Factory Service Center Arizona

Offre également des services après-vente dans certaines régions du Nevada.

Amana Factory Service Center Southern California

Amana Factory Service Center Colorado

Offre également des services après-vente dans certaines régions de l'Utah.

Amana Factory Service Center Florida

Amana Factory Service Center Georgia

Offre également des services après-vente dans certaines régions de l'Alabama, de la Caroline du Nord, de la Caroline du Sud et du Tennessee.

Amana Factory Service Center Iowa

Offre également des services après-vente dans certaines régions du Kansas, du Minnesota, du Missouri et du Wisconsin.

Amana Factory Service Center Illinois

Offre également des services après-vente dans certaines régions de l'Indiana et du Kentucky.

Amana Factory Service Center Massachusetts

Offre également des services après-vente dans certaines régions du New Hampshire et du Rhode Island.

Amana Factory Service Center Maryland

Offre également des services après-vente dans certaines régions de la Pennsylvanie, de la Virginie et de Washington, D.C.

Amana Factory Service Center New York

Offre également des services après-vente dans certaines régions du Connecticut et du New Jersey.

Amana Factory Service Center Ohio

Offre également des services après-vente dans certaines régions du Michigan et de la Pennsylvanie.

Amana Factory Service Center Texas

Programme d'entretien Asure™

Amana est heureuse de vous offrir un programme d'entretien à long terme pour ce nouveau réfrigérateur. Ce programme Asure™ est spécialement conçu pour compléter l'excellente garantie d'Amana. Asure™ offre une couverture financière en cas de défaillance du réfrigérateur et comprend les pièces, la main-d'oeuvre et les frais de déplacement. Consulter un détaillant pour obtenir de plus amples renseignements ou appeler le service Asure™ au 1-800-528-2682.

Garantie (modèles non électroniques)

Garantie complète d'un an Garantie complète de cinq ans sur les composants du système hermétique et l'habillage du compartiment pour la nourriture

Première année

Amana Refrigeration, Inc. réparera ou remplacera, sans aucun frais, toute pièce s'avérant défectueuse en raison des matériaux ou de la main-d'oeuvre.

Deuxième à cinquième année incluse

Amana Refrigeration, Inc. remplacera, sans aucun frais, tout composant du système hermétique (compresseur, condensateur, évaporateur et tuyau d'interconnexion) et réparera tout habillage du compartiment pour la nourriture (à l'exception de l'habillage de la porte) venant à être défectueux en raison des matériaux ou de la main-d'oeuvre.

Limites de la garantie

- Commence à la date de l'achat original.
- S'applique à un appareil utilisé aux États-Unis ou au Canada si cet appareil est approuvé par l'Association canadienne de normalisation en quittant l'usine.
- Toute réparation doit être effectuée par un technicien **agréé** par Amana.

La garantie est nulle et non avenue si

- La plaque du numéro de série est illisible.
- L'appareil est utilisé à des fins commerciales ou locatives.
- L'appareil est défectueux ou endommagé en raison d'un accident, d'une altération, d'un raccord à une mauvaise alimentation, d'un incendie, d'une inondation, d'un orage, de l'expédition et de la manipulation, ou d'autres circonstances indépendantes de la volonté d'Amana Refrigeration, Inc.
- L'appareil est utilisé ou installé de façon incorrecte.

Responsabilités du propriétaire

- Fournir une preuve d'achat (récépissé de vente).
- Procéder à l'entretien normal. Remplacer les composants tel qu'indiqué dans le manuel du propriétaire.
- Faciliter l'accessibilité à l'appareil lors des réparations.
- Payer le supplément lorsque le technicien doit procéder à une réparation en dehors des heures d'ouverture normales.
- Payer les frais de visite relativement à l'installation de l'appareil.

En aucun cas Amana Refrigeration, Inc. n'est responsable des dommages indirects ou accessoires notamment la perte de nourriture*.

* Cette garantie vous donne des droits légaux spécifiques et vous pourriez bénéficier d'autres droits qui varient selon l'état ou la province où vous demeurez. Par exemple, certains états ou provinces ne permettant pas l'exclusion ou la limitation des dommages indirects ou accessoires, cette exclusion ne s'applique pas forcément à votre cas.

Requerimientos eléctricos	42
Identificación del modelo	43
Instrucciones para la instalación	43
Lista de verificación de la instalación	46
Controles	
Controles de las secciones Fresh Food y Deepfreeze®	47
Ajuste de los controles	47
Características de la sección Fresh Food	
Repisas de la sección Fresh Food	48
Sistema Chiller Fresh™	48
Cajón para embutidos (en algunos modelos)	48
Cajones para verduras Garden Fresh™	49
Compartimiento para el almacenamiento	49
Recipiente cubierto para el almacenamiento	49
Centro para productos lácteos	50
Temperatura controlada Fresh Food Puerta	50
Compartimientos de la puerta	50
Repisas de la puerta	50
Características del Deepfreeze®	
Máquina automática para hacer hielo	51
Rejilla del Deepfreeze®	52
Sistema Stor-Mor®	52
Diques de la puerta	52
Surtidor de agua y hielo Ice 'N' Water™	53
Cuidado y limpieza	
Generalidades	54
Eliminación de olores	54
Adhesivos	55
Empaques de la puerta	55
Serpentines del condensador	55
Repisas de vidrio	55
Focos	55
Sugerencias para conservar la energía	57
Sugerencias para las vacaciones	57
Ruidos del funcionamiento normal	58
Antes de llamar para solicitar servicio	59
Centros de servicio de fábrica	60
Plan de servicio Asure™	61
Garantía (Modelos que no son electrónicos)	62



Reconozca este símbolo como precaución de seguridad.



ADVERTENCIA

Instrucciones para conexión a tierra - Este refrigerador viene equipado con un enchufe de tres puntas (para conexión a tierra) para proveer protección contra posible riesgos de choques eléctricos. Si el tomacorrientes de pared tiene sólo dos orificios, pida a un electricista experto que reemplace este tomacorrientes de pared de dos orificios por otro de tres orificios correctamente conectado a tierra, de conformidad con el Código Eléctrico Nacional de los EE.UU.

Este refrigerador ha sido diseñado para funcionar conectado a una línea separada de 103 a 126 voltios, 15 amperios y 60 ciclos.

No corte ni elimine, bajo ninguna circunstancia, la punta redonda de conexión a tierra del enchufe. El refrigerador debe estar conectado a tierra en todo momento. No quite el rótulo de advertencia del cordón eléctrico.



ADVERTENCIA

No utilice un adaptador de dos puntas.
No utilice un cable de extensión.

Identificación del modelo

Gracias por haber comprado este refrigerador Amana®. Por favor lea todo el Manual del propietario. Este manual proporciona información sobre el mantenimiento adecuado. Si tiene alguna pregunta, sírvase llamar al Departamento de asuntos del consumidor al **1-800-843-0304** dentro de los EE.UU. y al **1-319-622-5511** fuera de los EE.UU.

Llene la tarjeta de registro y envíela lo más pronto posible. Si el refrigerador no incluye una tarjeta de registro, llame al Departamento de asuntos del consumidor.

Cuando se comunique con Amana, proporcione la información del producto. Esta información se encuentra en la placa del número de serie, ubicada en la esquina izquierda superior del techo de la sección Fresh Food. Anote la siguiente información:

Número de modelo: _____
Número de fabricación: _____
Número de serie (S/N): _____
Fecha de adquisición: _____
Nombre y dirección del distribuidor: _____

Guarde una copia del recibo para referencia en el futuro.

Amana cuenta con una red de técnicos autorizados, independientes. Para localizar un Centro de servicio de fábrica o un técnico de Amana autorizado independiente llame al **1-800-628-5782** dentro de los EE.UU. y al **1-319-622-5511** fuera de los EE.UU. El servicio bajo la garantía debe realizarlo un técnico de Amana **autorizado**. Amana también recomienda que se ponga en contacto con un técnico de Amana **autorizado** si se necesita servicio después de haberse vencido la garantía.

Amana ofrece una línea completa de electrodomésticos: parrillas, lavaplatos automáticos, secadoras, congeladores, hornos de microondas, hornillos, hornos de pared y lavadoras automáticas. Amana también fabrica una selección completa de calentadores de gas de alta eficiencia y unidades de aire acondicionado central e individual.

Disfrute de su nuevo refrigerador Amana®.

Instrucciones para la instalación

La instalación correcta del refrigerador asegurará el funcionamiento más eficiente. Amana® no se puede hacer responsable de una instalación incorrecta.

1. Quite las puertas si es necesario.



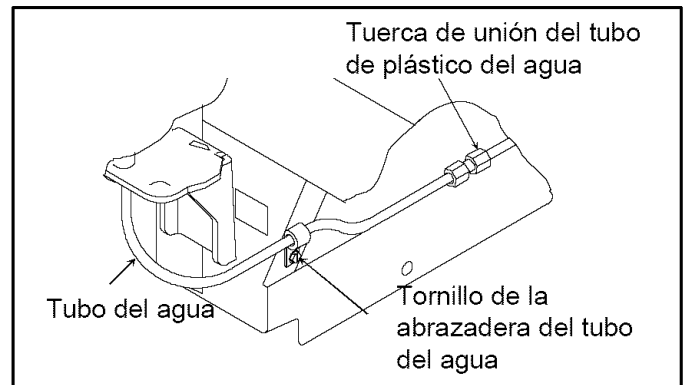
ADVERTENCIA

Para evitar choques eléctricos que podrían causar lesiones personales graves o la muerte, desconecte el suministro eléctrico al refrigerador antes de quitar las puertas. Después de colocar las puertas, vuelva a conectar el suministro eléctrico.

a. Quite la rejilla inferior superior.

b. Modelos surtidores

Afloje el tornillo de la abrazadera del tubo del agua. Afloje la tuerca de unión del tubo de plástico del agua. Separe el tubo del agua de la tuerca de unión y a través de la abrazadera del tubo.

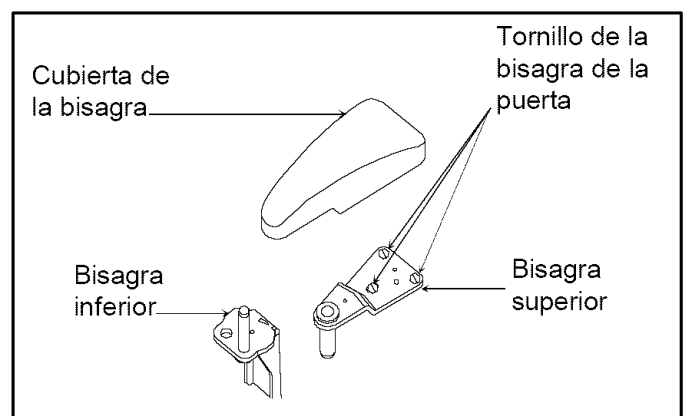


c. Quite las cubiertas de la bisagra superior.



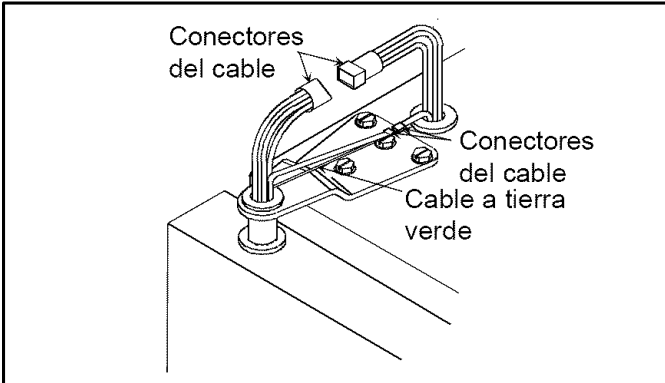
ADVERTENCIA

Para evitar choques eléctricos que podrían causar lesiones personales graves o la muerte, el cable a tierra verde debe permanecer unido a la bisagra.



d. Modelos electrónicos y surtidores

Desconecte los conectores del cable de la bisagra superior. Levante y quite cuidadosamente las bisagras superiores. No altere la posición de las cuñas de las bisagras.



e. Quite las puertas.



Precaución

Cuando mueva el refrigerador, proteja los pisos delicados de vinilo o de otra clase con cartones, tapetes u otros materiales de protección para evitar daños a la propiedad.

f. Deslice el diablo por debajo de un lado del refrigerador. Envuelva el refrigerador con una cobija o colcha. Amarre el refrigerador al diablo con la correa y apriételo. No apriete demasiado la correa. Coloque el refrigerador en frente de la ubicación final.

g. Vuelva a colocar las puertas repitiendo los pasos de la «a» a la «f» en orden inverso. Utilice una moneda en la parte superior para separar las puertas 3/4 de pulgada (18 mm) del gabinete.

2. Conexión del suministro de agua



ADVERTENCIA

Desconecte el suministro eléctrico al refrigerador antes de conectar el suministro de agua para evitar choques eléctricos que podrían causar lesiones graves o la muerte. Después de conectar el suministro de agua vuelva a conectar el suministro eléctrico.



Precaución

Para evitar daños a la propiedad, lleve a cabo lo siguiente:

- Verifique que la presión del agua a la válvula del agua sea entre 20 y 100 libras por pulgada cuadrada.
- Apriete el adaptador y la tuerca con la mano para evitar que se enrosquen mal. Termine apretándolas con una llave ajustable. No apriete demasiado.
- Compruebe que no haya fugas de agua y arréglelas si es necesario antes de volver a colocar el refrigerador en su ubicación normal. 24 horas después de la conexión vuelva a revisar para asegurarse de que no haya fugas de agua.

Importante

- Antes de conectar el suministro de agua, llame a un plomero para que conecte el tubo de cobre a la entrada de agua de la casa de acuerdo con los códigos y disposiciones locales.
- **No utilice válvulas auto perforadas.** Amana no se puede hacer responsable de los daños a la propiedad causados por la instalación incorrecta de la conexión de agua.

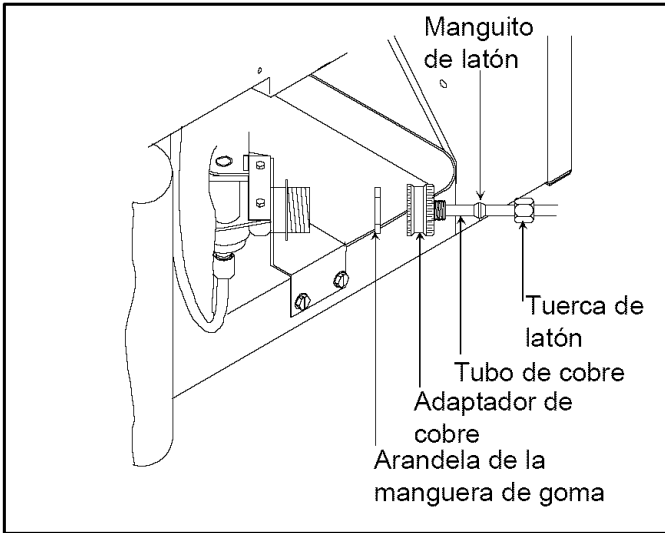
Materiales requeridos

Tubo de cobre flexible de un 1/4 de pulgada (6 milímetros). La longitud del tubo de cobre debe extenderse desde la toma de agua más una longitud extra de 8 pies (2 metros) para formar el espiral de servicio detrás del refrigerador.

Procedimiento

1. Quite los tornillos de la cubierta de cartón fibra del lado derecho (en los modelos de 20, 22, 25 y 27 pies cúbicos) o el lado izquierdo (en los modelos de 19 y 21 pies cúbicos). Quite el separador de plástico negro (en los modelos de 22, 25 y 27 pies cúbicos). Doble la cubierta hacia atrás.

2. Retire del adaptador la tuerca de latón y el manguito. Deslice la tuerca de latón y el manguito de latón sobre el extremo del tubo de cobre. Inserte el tubo de cobre dentro del adaptador. Asegúrese de que la arandela de la manguera de goma esté bien puesta. Apriete el adaptador en la válvula del agua con la mano. Apriete una media vuelta adicional con una llave y pinzas. Conecte la tuerca del tubo de cobre al adaptador. Jale el tubo de cobre para cerciorarse de que esté firmemente asegurado.



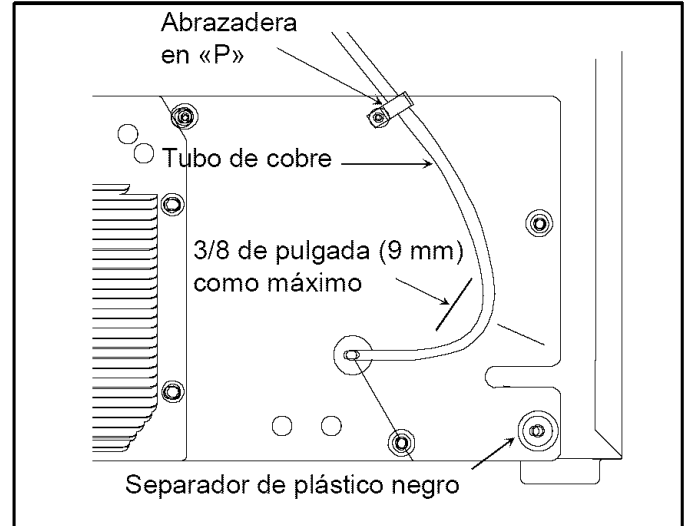
3. Abra el suministro de agua al refrigerador y cerciórese de que no haya fugas de agua. Arregle cualquier fuga de agua que encuentre.



ADVERTENCIA

Para evitar choques eléctricos que podrían causar lesiones personales graves o la muerte, se deben colocar todas las cubiertas traseras antes de enchufar el refrigerador.

4. Vuelva a poner los tornillos de la cubierta inferior trasera y el separador de plástico negro.
5. Forme el espiral de servicio teniendo sumo cuidado para evitar retorcimientos. **Asegure el tubo de cobre al gabinete del refrigerador usando una abrazadera en «P».** El tubo de cobre no debe extenderse 3/8 de pulgada (9 mm) más allá de la parte posterior.

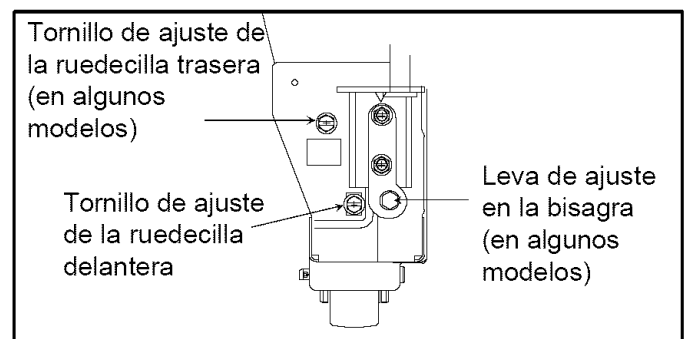


3. Enchufe el cordón eléctrico.

4. Coloque el refrigerador en la ubicación final.

5. Nivele el refrigerador y alinee las puertas.

- a. Quite la rejilla inferior
- b. Gire los tornillos de ajuste de las ruedecillas para elevar o bajar el gabinete del refrigerador hasta que el refrigerador quede firme sobre el piso. Algunos modelos vienen con ruedecillas delanteras y traseras.
- c. **Modelos con leva de ajuste en la bisagra**
Si la parte superior de las puertas no queda alineada después de haber nivelado el refrigerador, afloje media vuelta los tornillos de la bisagra de la puerta. Gire la leva en sentido de las manecillas del reloj, un incremento a la vez hasta que las puertas queden alineadas. Abra y cierre las puertas. Apriete los tornillos de la bisagra.



6. Revise con el consumidor la «Lista de verificación de la instalación» en el Manual del propietario.

Lista de verificación de la instalación

Esta lista de verificación sirve para llevar un registro personal exclusivamente.

Consumidor Instalador

- | | | |
|--------------------------|--------------------------|--|
| <input type="checkbox"/> | <input type="checkbox"/> | Puertas
Las puertas están alineadas entre sí. (Después de haber colocado productos en el refrigerador, el consumidor debería revisar la alineación de las puertas). |
| <input type="checkbox"/> | <input type="checkbox"/> | Las puertas se sellan completamente al gabinete del refrigerador. |
| <input type="checkbox"/> | <input type="checkbox"/> | Los tiradores están firmemente fijados a las puertas. |
| <input type="checkbox"/> | <input type="checkbox"/> | Modelos electrónicos con Touchmatic™ y con surtidor de agua y hielo Ice 'N' Water™
Si se quitaron las puertas para instalar el refrigerador, los conectores del cable de la bisagra superior se deben volver a conectar. |
| <input type="checkbox"/> | <input type="checkbox"/> | Nivelación
El refrigerador está bien colocado sobre el piso. |
| <input type="checkbox"/> | <input type="checkbox"/> | La rejilla inferior está unida correctamente al refrigerador. |
| <input type="checkbox"/> | <input type="checkbox"/> | Máquina para hacer hielo
La línea de suministro de agua al refrigerador está abierta. |
| <input type="checkbox"/> | <input type="checkbox"/> | No hay goteras en la conexión entre la línea de suministro de la casa y el refrigerador. (24 horas más tarde el consumidor debería revisar la conexión para ver si hay goteras). |
| <input type="checkbox"/> | <input type="checkbox"/> | El brazo de la máquina para hacer hielo está en la posición activada para producir hielo. (La producción del primer lote de hielo puede tardar hasta 24 horas). |
| <input type="checkbox"/> | <input type="checkbox"/> | Documentación del producto
El manual del propietario ha sido revisado e incluye la siguiente información: <ul style="list-style-type: none">• tarjeta de registro del producto• controles de las secciones Fresh Food y Deepfreeze®• sistema Chiller Fresh™• cajones para verduras Garden Fresh™• ruidos del funcionamiento normal |

Notas _____

Firma del consumidor _____

Firma del instalador _____

Nombre/Número de teléfono de
la compañía instaladora _____

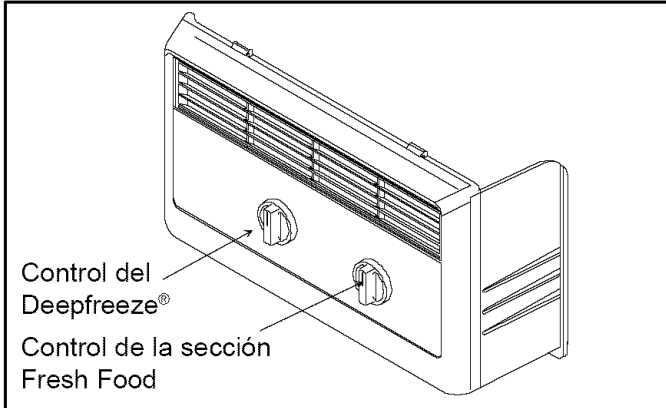
Fecha _____

Controles

Este refrigerador está diseñado para funcionar a temperaturas normales de casa, entre 55° y 110°F (13° y 43°C).

Controles de las secciones Fresh Food y Deepfreeze®

Los controles de la sección Fresh Food y Deepfreeze® están ubicados en la parte superior de la pared trasera de la sección Fresh Food®.



Cuando el control del Deepfreeze® está en la posición *desactivada (off)*, ni la sección Fresh Food ni el Deepfreeze® enfriarán. Inicialmente fije ambos controles en 4. Espere 24 horas hasta que las secciones Fresh Food y Deepfreeze® alcancen las temperaturas deseadas. Después de 24 horas, ajuste los controles, un solo número a la vez, según se desee. El 1 es el menos frío y el 7 el más frío.

Ajuste de los controles

Ajuste los controles utilizando un termómetro común que abarque temperaturas entre -5° y 50°F (-21° y 10°C).

Coloque el termómetro ceñidamente entre paquetes congelados en la sección Deepfreeze® y espere de 5 a 8 horas. Si la temperatura de la sección Deepfreeze® no se encuentra entre 0° y 2°F (-17° y -16°C), ajuste el control, un solo número a la vez. Compruebe nuevamente después de 5 a 8 horas.

Coloque el termómetro en un vaso de agua en medio de la sección Fresh Food y espere de 5 a 8 horas. Si la temperatura de la sección Fresh Food no se encuentra entre 38° y 40°F (3° y 4°C), ajuste el control, un solo número a la vez. Compruebe nuevamente después de 5 a 8 horas.

Características de la sección Fresh Food



Precaución

Para evitar daños a la propiedad, verifique que la repisa esté bien instalada antes de colocar artículos en la misma.

Repisas de la sección Fresh Food

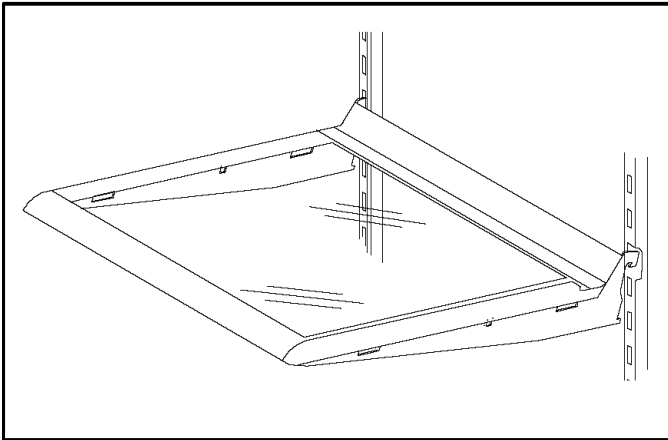
Los modelos vienen con repisas de vidrio o metálicas. Las repisas se ajustan hacia arriba o hacia abajo para satisfacer las necesidades individuales de almacenamiento. Algunos modelos vienen con repisas Spillsaver™. Las repisas Spillsaver™ contienen los derrames menores para facilitar la limpieza.



Precaución

Maneje con cuidado las repisas de vidrio templado para evitar lesiones personales o daños a la propiedad. Las repisas se pueden romper súbitamente si sufren raspaduras, golpes o se exponen a cambios repentinos de temperatura.

- Quite las repisas levantando la parte delantera y liberando los ganchos de la guía metálica.
- Vuelva a colocar las repisas insertando los ganchos en la guía y bajando la parte delantera de las mismas.



Sistema Chiller Fresh™ (en algunos modelos)

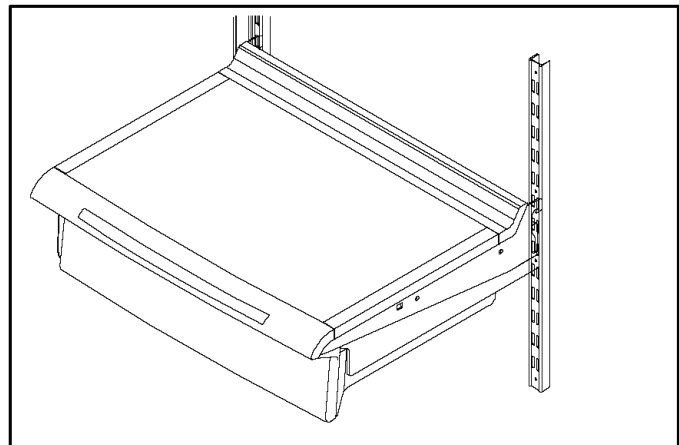
El sistema Chiller Fresh™ incluye un cajón con rieles dentro de un compartimiento aislante. El aire circula entre el cajón y el compartimiento aislante. Este sistema conserva frescos los alimentos por más tiempo y hasta 5°F (3°C) más fríos que la temperatura de la sección Fresh Food.

El control del Chiller Fresh™ está ubicado debajo del adorno de la repisa delantera. El control ajusta la cantidad de aire que circula alrededor del cajón. Deslice el control hacia *cold* (*frío*) para la temperatura normal de la sección Fresh Food y hacia *colest* (*frío máximo*) para la temperatura más fría. Es posible que se formen cristales de hielo en el cajón o en los alimentos en la posición *colest* (*frío máximo*). El aire frío puede disminuir la temperatura de la sección Fresh Food. Es posible que sea necesario ajustar el control de la sección Fresh Food.

- Saque el cajón levantándolo y jalándolo hacia afuera. Quite la repisa levantando desde la parte delantera y liberando los ganchos de la guía metálica y luego jale hacia afuera.
- Vuelva a colocar la repisa insertando los ganchos en la guía metálica y bajando la parte delantera. Use las ranuras de la 8 a la 11 solamente. Vuelva a colocar el cajón deslizando hacia adentro. Cerciórese de que el manguito aislador esté sobre la entrada de aire de la pared lateral.

Cajón para embutidos (en algunos modelos)

- Quite el cajón levantándolo y jalándolo hacia afuera. Quite la repisa levantando la parte delantera, liberando los ganchos de la guía metálica y después retirándola.
- Vuelva a colocar la repisa insertando los ganchos en la guía metálica y bajando la parte delantera. Vuelva a colocar el cajón deslizando hacia adentro.
- La aparición de gotas de agua o de escarcha en el compartimiento de aire del sistema Chiller Fresh™ es normal durante periodos de alta humedad o cuando se abre la puerta repetidamente. El compartimiento de air del sistema Chiller Fresh™ se localiza entre el lado izquierdo de la pared del refrigerador y el manguito aislante del sistema Chiller Fresh™.



Cajones para verduras Garden Fresh™

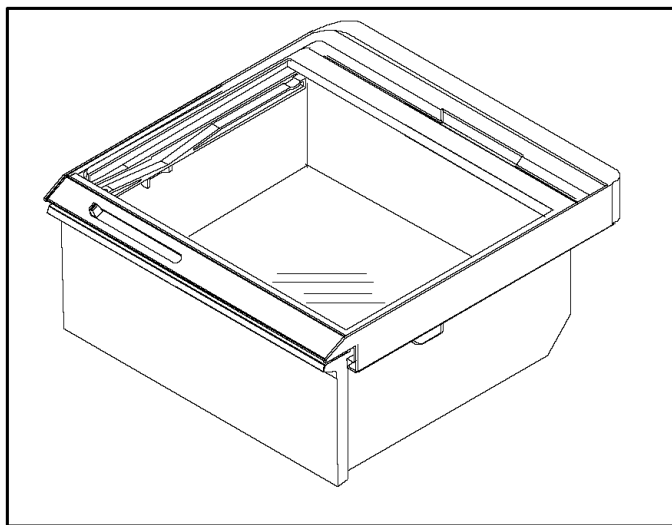
Los cajones para verduras Garden Fresh™ conservan frescas las verduras por más tiempo. Envuelva las verduras muy bien. No lave las verduras antes de colocarlas en los cajones. El exceso de humedad podría causar que se echen a perder prematuramente. No forre los cajones para verduras con toallas de papel. Las toallas de papel retienen la humedad.

El control de los cajones Garden Fresh™ están ubicado debajo del adorno de la repisa delantera. El control ajusta la humedad en los cajones. Deslice el control hacia *high* (alta) para productos que tienen hojas, como la lechuga, las espinacas o el repollo. Deslice el control *low* (baja) para productos que tienen cáscara, como la coliflor, los elotes o los jitomates.



Precaución

Maneje con cuidado las repisas de vidrio templado para evitar lesiones personales o daños a la propiedad. Las repisas se pueden romper súbitamente si sufren raspaduras, golpes o se exponen a cambios repentinos de temperatura.



Lleve a cabo los siguientes pasos para quitar la repisa y los cajones para verduras.

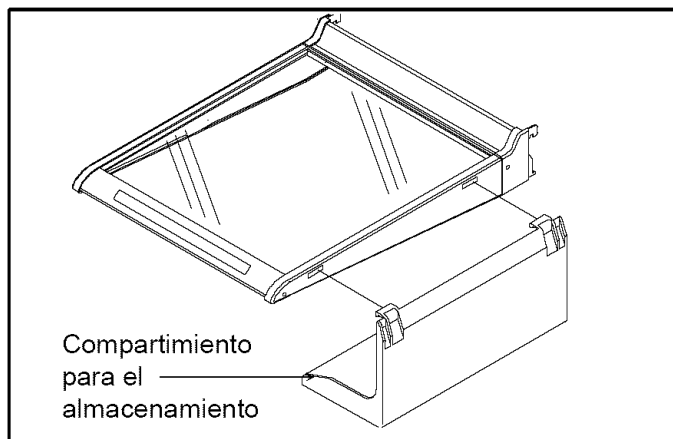
1. Abra el cajón para verduras.
2. Quite la repisa empujando suavemente hacia arriba desde abajo. Incline un extremo hacia arriba luego jálela.
3. Quite el cajón para verduras levantando la parte delantera mientras lo sostiene por debajo y luego jálelo hacia afuera.
4. Vuelva a colocar los cajones para verduras y la repisa repitiendo los pasos del 1 al 3 en orden inverso.

Compartimiento para el almacenamiento (en algunos modelos)

El compartimiento para el almacenamiento es un lugar conveniente para guardar artículos tales como botellas grandes, huevos, etc.

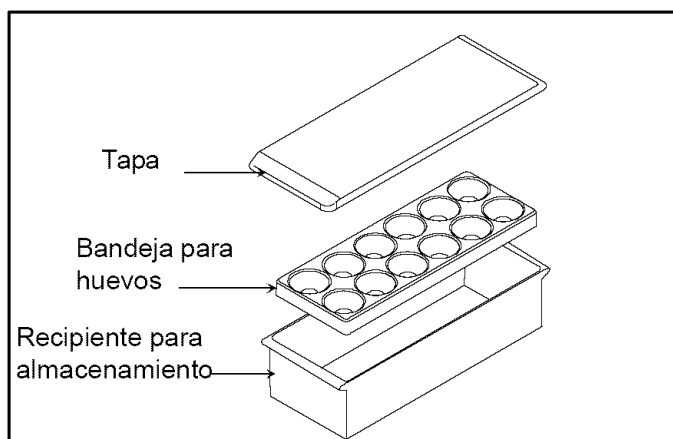
Dependiendo de la ubicación de la repisa, cuelgue este compartimiento utilizando uno de los métodos siguientes. El compartimiento no se puede instalar a un lado del foco de la sección inferior Fresh Food.

- Quite la repisa levantando la parte delantera de la misma, libere los ganchos de la guía metálica y luego jále hacia afuera. Cuelgue el compartimiento insertando las pestañas en los orificios que están a un lado de la repisa. Vuelva a colocar la repisa insertando los ganchos en la guía metálica y bajando la parte delantera.
- Deslice el compartimiento a lo largo del lado de la repisa hasta que las pestañas se inserten en los orificios.



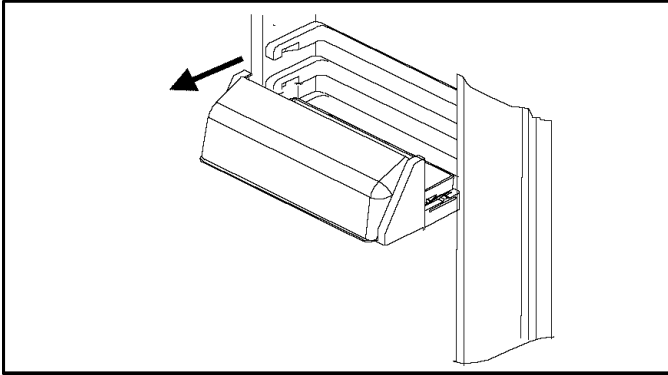
Recipiente cubierto para el almacenamiento (en algunos modelos)

Este recipiente tiene una tapa y una bandeja desmontable para huevos. Cuando se saca la bandeja, se pueden acomodar artículos tales como cajas regulares de huevos, hielo, etc.



Centro para productos lácteos (en algunos modelos)

El centro para productos lácteos es un lugar conveniente para guardar mantequilla, quesos, etc.

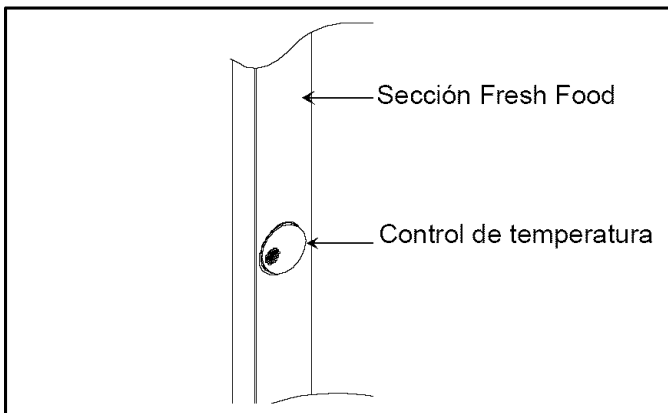


Temperatura controlada Fresh Food Puerta (en algunos modelos)

La entrada de aire permite que el aire de la sección del Deepfreeze® se pase al enfriador de bebidas. La entrada de aire está ubicada en la pared interior de la puerta de la sección Fresh Food.

El control del enfriador de bebidas se encuentra en la pared izquierda delantera de la sección Fresh Food. El control ajusta la cantidad de aire que circula en el enfriador de bebidas. Gire el control hacia *cold (frío)* para la temperatura normal de la sección Fresh Food y hacia *colder (más frío)* para la temperatura más fría.

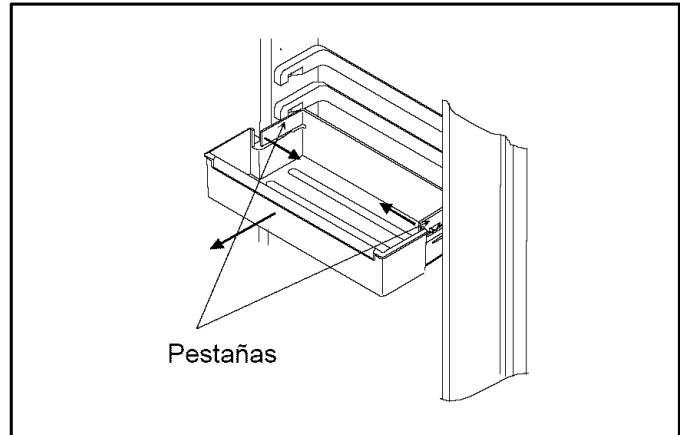
- La aparición de gotas de agua o de escarcha en el enfriador de bebidas es normal durante periodos de alta humedad o cuando se abre la puerta repetidamente. Reduzca la cantidad de gotas de agua o de escarcha en el control del enfriador de bebidas girando este control hacia la izquierda.



Compartimientos de la puerta (en algunos modelos)

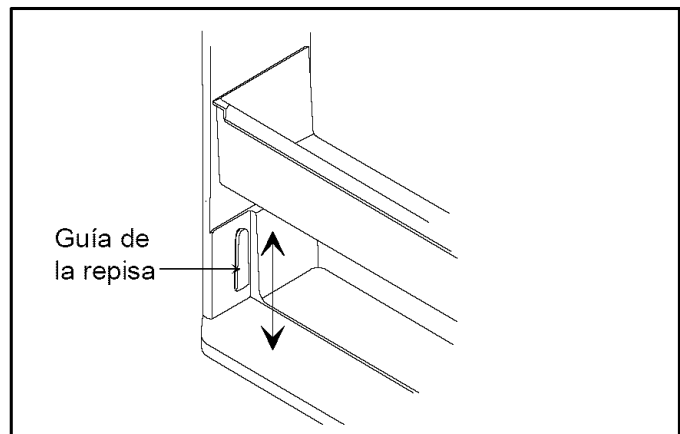
Los compartimientos de la puerta se ajustan para satisfacer las necesidades individuales de almacenamiento.

- Quite los compartimientos de la puerta empujando las pestañas hacia el centro y jalando hacia afuera.
- Vuelva a poner los compartimientos de la puerta deslizándolos hasta que las pestañas encajen en su sitio.

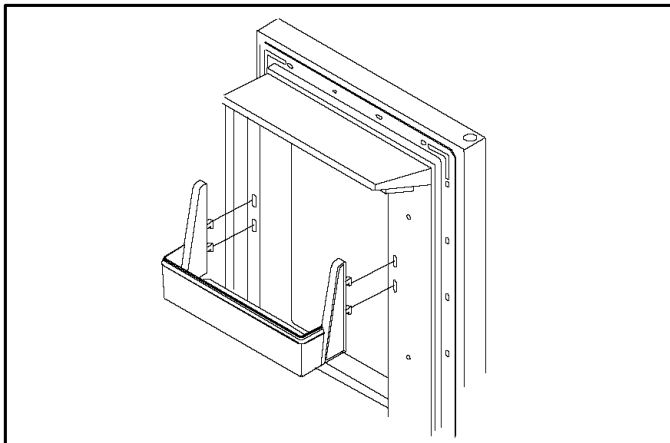


Repisas de la puerta (en algunos modelos)

- Quite las repisas de la puerta deslizables levantándolas por los extremos y jalando hacia afuera.
- Vuelva a colocar las repisas deslizables acomodándolas en las guías y deslizándolas hacia abajo.



- Quite las repisas de la puerta que vienen con ganchos levantándolas de los extremos y liberando los ganchos en la parte inferior de la repisa.
- Vuelva a colocar las repisas de la puerta que vienen con ganchos insertando los ganchos y bajando la parte inferior de la repisa. Empújela de los extremos hacia abajo.



Precaución

Para evitar daños a la propiedad, verifique que la repisa esté bien instalada antes de colocar artículos en la misma.

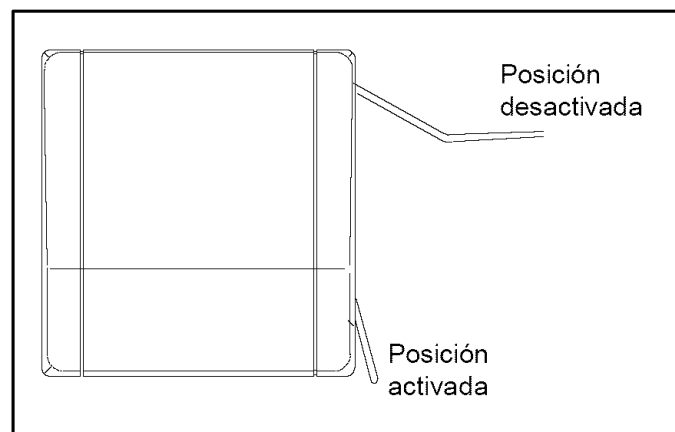


Precaución

Para evitar daños a la propiedad, verifique que la repisa esté bien instalada antes de volver a colocar artículos en la misma.

Máquina automática para hacer hielo

- Verifique que el recipiente para hielo esté en su sitio y que el brazo de la máquina para hacer hielo esté hacia abajo.



- Después de que la sección Deepfreeze® alcanza su temperatura normal, la máquina de hacer hielo se llena de agua y empieza a funcionar. Deje transcurrir de 24 a 48 horas después de la instalación antes de obtener el primer lote de hielo. Bajo condiciones ideales, la máquina produce de 7 a 9 lotes de hielo en un período de 24 horas.
- Después de que se forma el hielo, la máquina de hacer hielo deja caer los cubos de hielo en el recipiente para hielo. Durante la producción de hielo, el brazo de la máquina para hacer hielo sube y baja. Cuando el recipiente para hielo está lleno, el brazo desactiva la máquina para hacer hielo. Deseche los tres primeros lotes de hielo después de conectar inicialmente el refrigerador a la línea de suministro de agua de la casa, y después de no usar el refrigerador por períodos de tiempo prolongados.
- Detenga la producción de hielo levantando el brazo de la máquina para hacer hielo. Se escuchará un clic seco cuando se alcance la posición correcta. El brazo de la máquina de hacer hielo permanecerá en la posición desactivada hasta que se le empuje hacia abajo.



Precaución

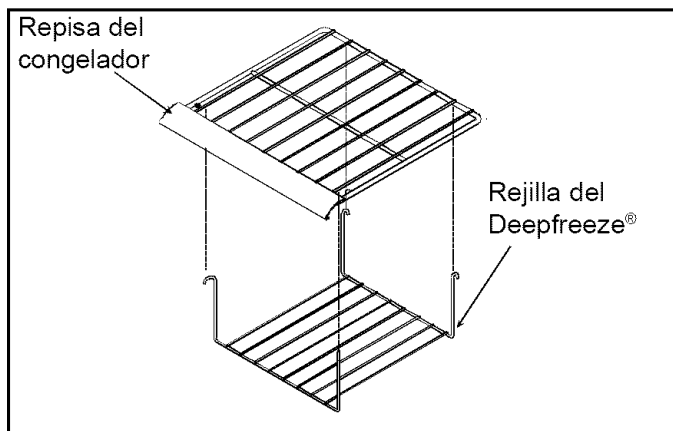
Para evitar dañar la máquina para hacer hielo, lleve a cabo lo siguiente:

- No fuerce el brazo de la máquina para hacer hielo hacia arriba o hacia abajo.
- No coloque ni almacene nada en el recipiente de almacenamiento de hielo.

Rejilla del Deepfreeze® (en algunos modelos)

Se pueden colocar bandejas de cubos de hielo en la rejilla del Deepfreeze®. Esta rejilla también proporciona almacenamiento adicional.

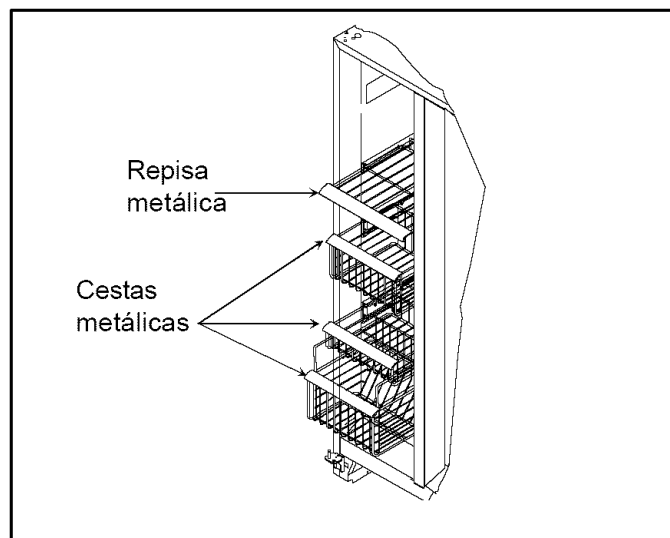
- Quite la rejilla del Deepfreeze® levantándola y empujando los ganchos de la parte delantera hacia adentro para liberar los ganchos de la repisa. Jale la parte delantera de la rejilla hacia abajo. Empuje los ganchos hacia adentro para liberar los ganchos traseros de la repisa. Deslice la rejilla fuera de la repisa.
- Vuelva a colocar la rejilla del Deepfreeze® empujando los ganchos traseros hacia adentro y colocando los ganchos sobre la repisa. Empuje los ganchos de la parte delantera hacia adentro y coloque los ganchos sobre la repisa.



Sistema Stor-Mor®

Las repisas y cestas metálicas se deslizan hacia afuera para facilitar el acceso a los artículos que se encuentran atrás y se pueden acomodar para satisfacer las necesidades individuales de almacenamiento.

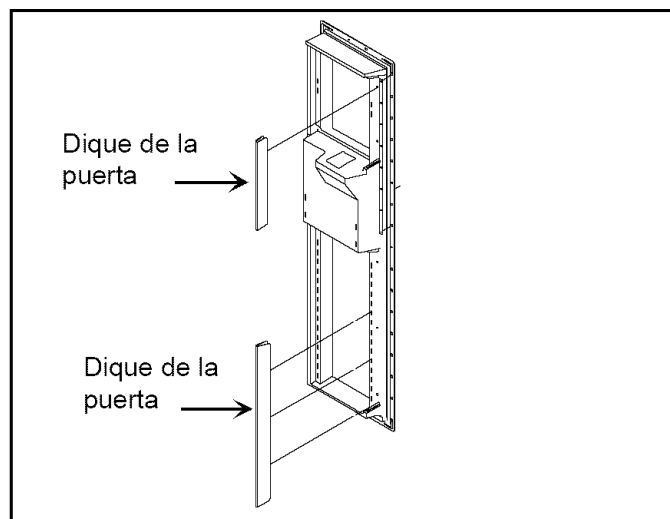
- Quite las repisas y cestas levantándolas y jalándolas hacia afuera.
- Vuelva a colocar las repisas y cestas acomodándolas en los carriles laterales. Deslice las repisas y cestas hacia la derecha y hacia atrás hasta que la manija redonda esté detrás del tope del carril.



Diques de la puerta (en algunos modelos)

Los diques se desprenden para facilitar el retiro de las repisas y cestas del Deepfreeze®.

- Quite el dique de la puerta jalándolo hacia afuera.
- Vuelva a colocar el dique de la puerta alineándolo con las extrusiones en la puerta del Deepfreeze®. Empuje hasta que el dique encaje en su sitio.



Surtidor de agua y hielo Ice 'N' Water™ (en algunos modelos)



Precaución

Para evitar lesiones personales o daños a la propiedad, cumpla con las siguientes recomendaciones:

- No opere el surtidor cuando la puerta del Deepfreeze® esté abierta.
- No coloque los dedos, manos u objetos extraños dentro del orificio del surtidor.
- No utilice objetos puntiagudos para quebrar el hielo.

Funcionamiento del surtidor de agua

Se tarda aproximadamente un minuto después de haber conectado inicialmente el refrigerador al suministro de agua de la casa antes de que salga agua. Deseche los primeros 10 a 14 recipientes con agua después de haber conectado inicialmente el refrigerador al suministro de agua de la casa y después de períodos prolongados de no usarse el refrigerador.

- Surta el agua presionando un recipiente resistente de boca ancha contra la barra del surtidor de agua.
- Detenga el surtido de agua dejando de ejercer presión en la barra. Es posible que continúe cayendo un poco de agua. La repisa para contener derrames no tiene su propio desaguadero. Los derrames grandes deben secarse.

Funcionamiento del surtidor de hielo



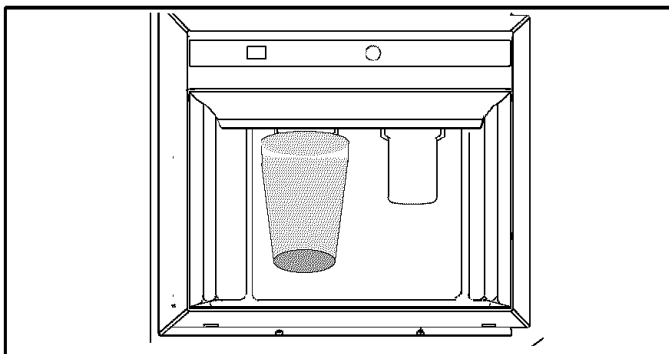
Precaución

Para evitar daños a la propiedad, no surta hielo directamente en vasos de vidrio delgado, loza fina o cristal delicado.

- Seleccione el modo cubos o hielo triturado, deslizando la palanca en el panel del surtidor. Surta hielo presionando un recipiente de boca ancha contra la barra del surtidor de hielo.

Importante

Para minimizar los derrames de hielo triturado, mantenga el recipiente directamente debajo de la tolva de descarga y lo más alto posible en el área de surtido.



- Detenga el surtido de hielo dejando de ejercer presión en la barra antes de que se llene el recipiente. Continuará cayendo algo de hielo. No quite el recipiente hasta que haya caído el último cubo de hielo.

Si se surte hielo de manera continua, el motor del surtidor se apagará después de 3 a 5 minutos. El motor volverá a funcionar después de tres minutos y el surtido de hielo podrá continuar.

Cuando se cambia de los modos cubo y hielo triturado habrá una pequeña demora. Los pedazos de hielo triturado tendrán tamaños y formas diferentes. Si se surte hielo triturado repetidamente, se puede formar «nieve» en la puerta y en la tolva de hielo. Permita que la «nieve» se evapore o séquela.

El surtidor funciona sólo con cubos del tamaño correcto y forma de media luna. No añada cubos de hielo comprados ni otra clase de cubos.

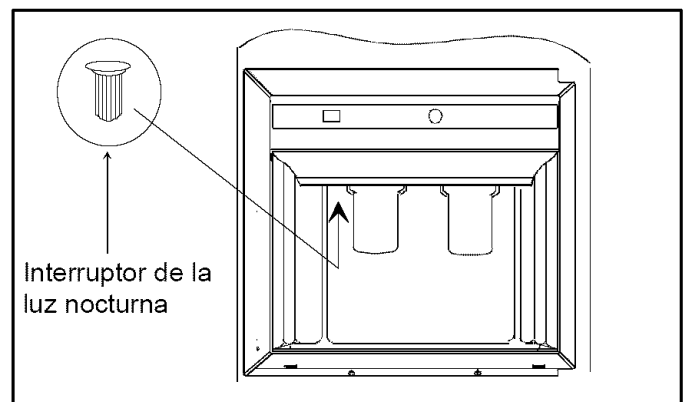
Cómo quitar el recipiente para hielo

- Quite el recipiente para hielo levantándolo y jalándolo hacia afuera.
- Vuelva a colocar el recipiente para hielo deslizando hasta que encaje en su sitio. Para que el surtido de hielo sea correcto, el recipiente para hielo debe estar trabado en su sitio. Si no se puede cerrar la puerta del Deepfreeze®, significa que el recipiente para hielo no se encuentra en su sitio correcto.

Luz del surtidor (en algunos modelos)

Cuando se surte hielo o agua se enciende una luz. Algunos modelos vienen con una luz nocturna.

- Desactive la luz nocturna presionando el interruptor que se encuentra debajo del surtidor y a la izquierda de la barra del surtidor de hielo.



Cuidado y limpieza

Sabor y olor del agua

Cumpla con las siguientes recomendaciones para minimizar las dificultades con el sabor y olor del agua:

- Envuelva los alimentos en recipientes sellados herméticamente o en bolsas a prueba de humedad.
- Instale un filtro, pieza N° R0183114, en la línea del agua.
- Si persisten las dificultades, comuníquese con la compañía local de tratamiento de agua para recibir ayuda especializada.



ADVERTENCIA

Desconecte el suministro eléctrico al refrigerador antes de limpiarlo para evitar choques eléctricos que podrían causar lesiones graves o la muerte. Después de limpiarlo, vuelva a conectar el suministro eléctrico.



Precaución

Lea y cumpla con las instrucciones del fabricante de los productos de limpieza para evitar lesiones personales o daños a la propiedad.

Generalidades

1. Lave las superficies con 4 cucharadas de bicarbonato de sodio disuelto en 1 de agua tibia utilizando un trapo suave y limpio.
2. Enjuague las superficies con agua tibia. Seque las superficies con un trapo suave y limpio.
 - No utilice los siguientes productos:
 - limpiadores abrasivos o ásperos tales como amoníaco, cloro, blanqueador etc.
 - detergentes o disolventes concentrados
 - estropajos metálicosEstos productos pueden rayar, rajar y descolorar las superficies.
 - No lave las repisas, recipientes, etc. en un lavaplatos automático.

Eliminación de olores

1. Saque todos los alimentos y desconecte el suministro eléctrico al refrigerador.
2. Lave todas las superficies interiores incluyendo el techo, el piso y las paredes, de acuerdo con las instrucciones de limpieza de la sección «Generalidades». Preste atención especial a las esquinas, hendiduras y ranuras. Incluya todos los accesorios, cajones, repisas y empaques.
3. Conecte el suministro eléctrico al refrigerador y vuelva a colocar los alimentos en el refrigerador. Lave y seque todas las botellas, frascos y recipientes. Guarde todos los alimentos en recipientes sellados herméticamente para evitar malos olores adicionales. Después de 24 horas revise si se ha eliminado el olor.

Si no se ha eliminado el olor, siga los siguientes pasos.

4. Lleve a cabo los pasos del 1 al 2.
5. Coloque los cajones para verduras en la repisa superior de la sección Fresh Food. Llene las secciones Fresh Food y Deepfreeze®, incluyendo las puertas, con hojas estrujadas de periódico blanco y negro.

6. Coloque pedazos de carbón en diferentes lugares del periódico.
7. Cierre las puertas y deje reposar de 24 a 48 horas.
8. Saque los pedazos de carbón y los periódicos.
9. Complete los pasos 2 y 3.

Si aún no se ha eliminado el olor, comuníquese con el Departamento de asuntos del consumidor. Consulte la sección de Identificación del modelo para obtener el número telefónico.

Adhesivos

1. Elimine el residuo de goma frotando un poco de pasta dental sobre el adhesivo hasta aflojarlo.
2. Enjuague la superficie con agua tibia. Seque la superficie con un trapo limpio y suave.

Empaques de la puerta

1. Limpie los empaques de la puerta cada 3 meses de acuerdo con las instrucciones de limpieza de la sección «Generalidades».
2. Aplique una capa delgada de vaselina para mantener los empaques flexibles.

Serpentines del condensador

Limpie el serpentín del condensador cada 3 meses para asegurar un funcionamiento óptimo del refrigerador. La acumulación de polvo y pelusas puede causar lo siguiente:

- menor rendimiento de enfriamiento
 - aumento del consumo de energía
 - falla prematura del compresor
1. Quite la rejilla inferior sosteniéndola de los extremos y jalándola hacia adelante.
 2. Limpie la superficie delantera del serpentín con la boquilla de manguera de una aspiradora.
 3. Vuelva a colocar la rejilla inferior insertando y encajando las presillas en los agujeros del gabinete.



Precaución

Para evitar daños a la propiedad, proteja los pisos de vinilo delicado o de otra clase con cartones, tapetes u otros materiales de protección.

4. Aleje el refrigerador de la pared. Pase el cepillo de la aspiradora sobre la rejilla de salida del ventilador del condensador en la parte posterior del refrigerador.

Repisas de vidrio



Precaución

Maneje con cuidado las repisas de vidrio templado para evitar lesiones personales o daños a la propiedad. Las repisas se pueden romper súbitamente si sufren raspaduras, golpes o se exponen a cambios repentinos de temperatura.

Saque la repisa levantándola del frente, liberando los ganchos de los rieles metálicos, luego jalando la repisa hacia adelante. Colóquela sobre una toalla y permita que la repisa se adapte a la temperatura ambiental antes de limpiarla.

Limpie las hendiduras haciendo lo siguiente:

1. Diluya un detergente suave y aplíquelo en las hendiduras usando un cepillo con cerdas de plástico. Déjelo reposar durante 5 minutos.
2. Rocíe agua tibia en las hendiduras usando un aditamento para rociar agua desde el grifo.
3. Seque bien la repisa y vuelva a colocarla insertando los ganchos en el riel metálico y bajando la parte delantera.

Focos



ADVERTENCIA

Desconecte el suministro eléctrico al refrigerador antes de cambiar los focos para evitar choques eléctricos que podrían causar lesiones graves o la muerte. Después de cambiar los focos, vuelva a conectar el suministro eléctrico.



Precaución

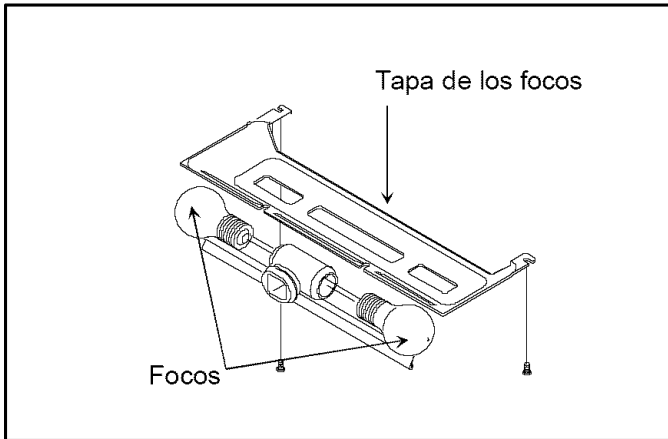
Lleve a cabo lo siguiente para evitar lesiones personales o daños a la propiedad:

- Permita que se enfríe el foco.
- Use guantes cuando cambie el foco.

Para los modelos de lado a lado

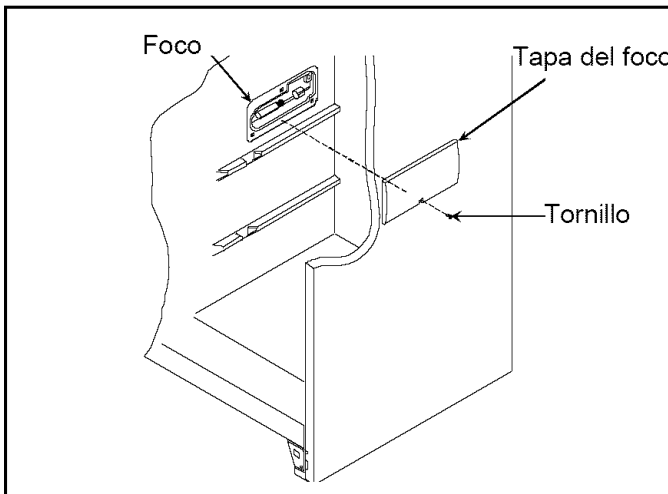
Parte superior de la sección Fresh Food

- Quite la tapa del foco extrayendo los tornillos hexagonales de 1/4 de pulgada (6 mm). Reemplace los focos con focos para electrodomésticos de 40 watts.
- Vuelva a colocar la tapa del foco atornillando los tornillos hexagonales de 1/4 de pulgada (6 mm).



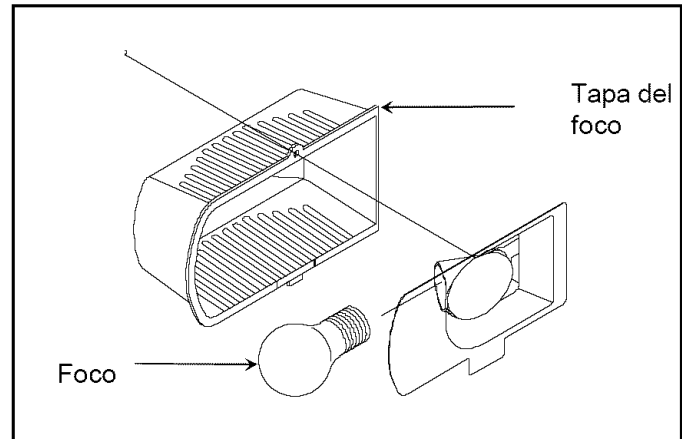
Parte inferior de la sección Fresh Food (en algunos modelos)

- Quite la tapa del foco extrayendo los tornillos. Reemplace el foco con un foco tubular de 40 watts.
- Vuelva a colocar la tapa del foco colocando la tapa sobre el foco. Introduzca y apriete el tornillo.



Sección del Deepfreeze®

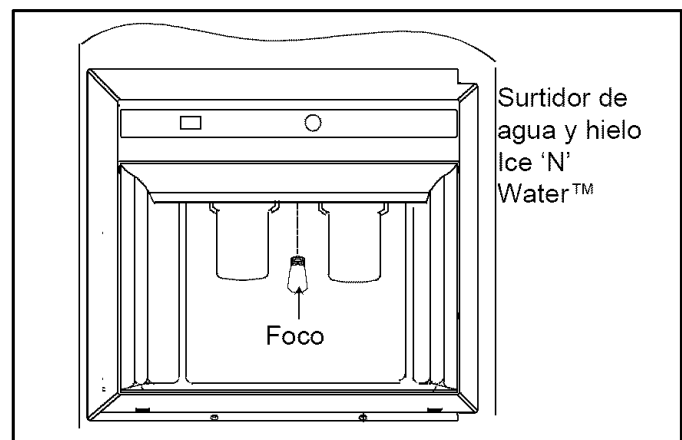
1. Quite el recipiente para hielo levantándolo y jalándolo hacia afuera.
2. Quite la tapa del foco extrayendo el tornillo. Reemplace el foco con un foco para electrodomésticos de 40 watts.
3. Vuelva a colocar la tapa del foco sosteniendo la tapa en su sitio sobre el foco. Introduzca y apriete el tornillo.
4. Vuelva a colocar el recipiente para hielo deslizándolo hasta que encaje en su sitio.



Surtidor de agua y hielo Ice 'N' Water™ (en algunos modelos)

El foco está ubicado entre los brazos del surtidor.

- Quite la tapa del foco destornillando el foco. Reemplace el foco con un foco de 6 watts y 120 voltios.
- Vuelva a colocar el foco introduciendo y apretando el mismo.



Sugerencias para conservar la energía

Este refrigerador ha sido diseñado para ser uno de los refrigeradores de mayor rendimiento de energía disponibles. Reduzca el consumo de energía llevando a cabo lo siguiente.

- Hágalo funcionar a temperaturas normales entre 55° y 110°F (13° y 43°C) alejado de las fuentes de calor y de la luz directa del sol.
- Fije los controles de las secciones Fresh Food, Deepfreeze® y Chiller Fresh™ a una temperatura que no sea más fría de la necesaria.
- Mantenga llena la sección Deepfreeze®.
- Mantenga los empaques de la puerta limpios y flexibles. Cambie los empaques si están gastados.
- Mantenga limpios los serpentines del condensador.

Sugerencias para las vacaciones

Siga los siguientes pasos en caso de tomarse vacaciones breves.

1. Saque los alimentos que se puedan echar a perder.
La garantía no cubre las pérdidas de alimentos.
Revise su certificado de garantía para ver si cubre algo en específico.
2. Si el refrigerador tiene instalada una máquina para hacer hielo, coloque el brazo de la máquina hacia arriba, en la posición *desactivada (off)*.

Siga los siguientes pasos en caso de tomarse vacaciones largas.

1. Vacíe las secciones Fresh Food y Deepfreeze®.
2. Desenchufe el refrigerador.
3. Limpie el interior del refrigerador y los empaques de las puertas de acuerdo con las instrucciones de limpieza de la sección «Generalidades» en la sección «Cuidado y limpieza».
4. Deje las puertas abiertas para que pueda circular el aire en el interior.
5. Si el refrigerador tiene instalada una máquina para hacer hielo, cierre el suministro de agua al refrigerador y ponga el brazo de la máquina hacia arriba, en la posición *desactivada (off)*.

Ruidos del funcionamiento normal

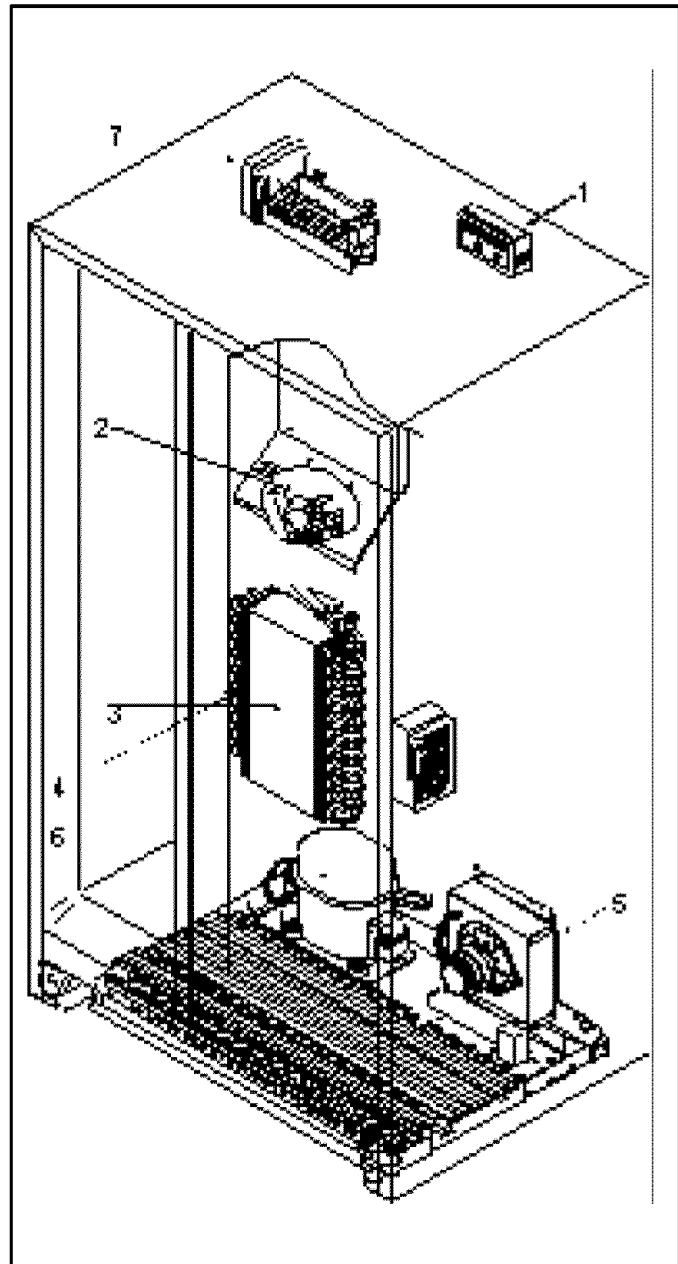
Es posible que este refrigerador nuevo esté reemplazando a uno de diferente diseño, menos eficiente o más pequeño. Los refrigeradores actuales tienen características nuevas y un mejor rendimiento de energía. Como resultado de esto, ciertos ruidos pueden parecer poco comunes. Estos ruidos son normales y pronto le serán familiares. Estos ruidos indican también que el refrigerador está funcionando y rindiendo según su diseño.

1. **Control del Deepfreeze®.** El control del Deepfreeze® hace un clic al arrancar o detenerse el compresor.
2. **Ventilador del Deepfreeze®.** El aire del ventilador del congelador se acelera y zumba.
3. **Sistema sellado.** (evaporador e intercambiador de calor) El flujo del refrigerante del sistema sellado gorgojea, cruje o suena como agua hirviendo.
4. **Calentador de descarchado.** El calentador de descarchado hace chirridos, silba o cruje.
5. **Ventilador del condensador.** El aire del ventilador del condensador se acelera y zumba.
6. **Compresor.** El compresor tiene un sonido de tarareo o pulsante.
7. **Cubos de hielo.** Los cubos de hielo de la máquina para hacer hielo (en algunos modelos) caen al recipiente.

Sinfín para hielo. (en los modelos con surtidor Ice 'N' Water™) El sinfín para hielo hace un ruido de tarareo al agitarse dicho sinfín durante el surtido de hielo. El sinfín para hielo está ubicado en la puerta del congelador.

Conexión de la válvula de agua de la máquina para hacer hielo. Esta conexión (en algunos modelos) zumba cuando la máquina para hacer hielo se llena con agua. Esto ocurre independientemente de que el refrigerador esté o no esté conectado al suministro de agua. Si no está conectado, anule el ruido colocando el brazo de la máquina para hacer hielo hacia arriba, en la posición *desactivada (off)*. La conexión de la válvula de agua está ubicada en la parte posterior de la parte inferior de la esquina izquierda.

El aislamiento de espuma tiene muy buen rendimiento de energía y excelente capacidad aislante. Sin embargo, no absorbe el ruido tanto como el aislamiento de fibra de vidrio que se usaba anteriormente.



Antes de llamar para solicitar servicio

El refrigerador no funciona.

- Compruebe que el control del Deepfreeze® esté activado.
- Compruebe que el refrigerador esté enchufado
- Revise el fusible o cortacircuitos. Enchufe otro artefacto en ese tomacorriente de pared.
- Espere 40 minutos para ver si vuelve a arrancar el refrigerador. Si el control del Deepfreeze® está activado, funcionan las luces pero no están en operación los dos ventiladores ni el compresor, el refrigerador podría estar en el ciclo de descarchado.

Aún no funciona el refrigerador.

- Desenchufe el refrigerador. Cambie los alimentos a otra unidad o ponga hielo seco en la sección Deepfreeze® para conservar los alimentos. **La garantía no cubre las pérdidas de alimentos.** Revise su certificado de garantía para ver si cubre algo en específico.
- Llame al **1-800-628-5782** dentro de los EE.UU. y al **1-319-622-5511** fuera de los EE.UU. para localizar un técnico **autorizado** de Amana®.

La temperatura de los alimentos parece ser demasiado alta.

- Vea las secciones anteriores.
- Deje que transcurra suficiente tiempo para que los alimentos calientes que se acaban de añadir alcancen la temperatura de la sección Fresh Food o Deepfreeze®.
- Revise los empaques de la puerta para ver si sellan correctamente.
- Limpie los serpentines del condensador.
- Ajuste el control de la sección Fresh Food y/o Deepfreeze®.
- Verifique que la rejilla trasera de aire no esté taponada. Esta rejilla está ubicada detrás del cajón izquierdo para verduras.

La temperatura del sistema Chiller Fresh™ es demasiado alta.

- Fije el control en un ajuste más frío.
- Ajuste el control del Deepfreeze® a una posición de menor temperatura.

La temperatura de los alimentos es demasiado fría.

- Limpie los serpentines del condensador.
- Ajuste el control de la sección Fresh Food.
 - Ajuste el control del Deepfreeze® a una posición de mayor temperatura. Deje que transcurran varias horas para que se ajuste la temperatura.

Gotas de agua o escarcha en el compartimiento de aire del sistema Chiller Fresh™.

- Esto es normal durante periodos de alta humedad o cuando se abre la puerta repetidamente.

El refrigerador se acciona con demasiada frecuencia.

- Podría ser normal para mantener una temperatura constante.
- Podría ser que se hayan abierto las puertas con frecuencia o durante un período de tiempo prolongado.
- Deje que transcurra suficiente tiempo para que los alimentos calientes que se acaban de añadir alcancen la temperatura de la sección Fresh Food o Deepfreeze®.
- Limpie los serpentines del condensador.
- Ajuste el control del Deepfreeze®.
- Revise los empaques de la puerta para ver si sellan correctamente.

Se forman gotas de agua en el interior del refrigerador.

- Es normal durante periodos de alta humedad o si se abren las puertas con mucha frecuencia.

Se forman gotas de agua en el exterior del refrigerador.

- Revise los empaques de la puerta para ver si sellan correctamente.

Gotas de agua o escarcha en el control del Beverage Chiller™.

- Esto es normal durante periodos de alta humedad o si las puertas se abren frecuentemente. Reduzca la cantidad de gotas de agua o de escarcha en el control del enfriador de bebidas girando este control hacia la izquierda.

Los cajones para verduras Garden Fresh™ y el sistema Chiller Fresh™ no cierran con facilidad.

- Vea si hay algún paquete que impida que cierre bien el cajón.
- Compruebe que el cajón esté en la posición correcta.
- Limpie los canales del cajón con agua tibia y jabonosa. Enjuague y seque bien.
- Aplique una capa delgada de vaselina a los canales del cajón.
- Compruebe que el refrigerador esté nivelado.

El refrigerador tiene mal olor.

- Consulte las instrucciones para la «Eliminación de olores» en la sección de «Cuidado y limpieza».

El refrigerador o la máquina para hacer hielo hacen ruidos poco comunes o que parecen demasiado altos.

- Podría ser normal. Consulte la sección de «Ruidos del funcionamiento normal».

La máquina de hacer hielo no produce hielo:

- Compruebe que el brazo de la máquina de hacer hielo esté hacia abajo.
- Compruebe que el suministro de agua de la casa llegue a la válvula del agua.
- Compruebe que el cable preformado de la máquina de hacer hielo esté completamente insertado en los agujero correctos.
- Compruebe que no haya torceduras en la tubería de cobre o de plástico. Elimine las torceduras si las hay o cambie el tubo.
- Revise las conexiones eléctricas al serpentín de la válvula de agua y al bloque conector en el gabinete del refrigerador.
- Compruebe que la sección del Deepfreeze® esté funcionando a la temperatura correcta.

Los cubos de hielo tienen mal olor.

- Consulte las instrucciones para la «Eliminación de olores» en la sección de «Cuidado y limpieza».
- Deseche el hielo y lave el recipiente o las bandejas para hielo con más frecuencia. Los cubos de hielo son porosos y absorben olores con facilidad.

Los cubos de hielo se pegan o se 'encogen'.

- Vacíe el recipiente o las bandejas para hielo con más frecuencia. Si se usan con poca frecuencia, los cubos pueden pegarse o encogerse.

Se forma hielo en el tubo de entrada a la máquina para hacer hielo.

- Revise la presión del agua. La baja presión del agua causará fugas en la válvula. Las válvulas auto perforadas causan la baja presión del agua. **Amana recomienda el uso de tubería de cobre para conectar la instalación de cañerías de la casa al refrigerador. No utilice válvulas auto perforadas. Amana no se puede hacer responsable por los daños a la propiedad causados por la instalación incorrecta o por la conexión del agua.**

Centros de servicio de fábrica

A continuación se listan los Centros de servicio de fábrica, que prestan servicio a la mayoría de las ciudades y zonas adyacentes. Amana además cuenta con una red de técnicos independientes autorizados. Para localizar un Centro de servicio de fábrica o un técnico de Amana independiente autorizado, llame al **1-800-628-5782** dentro de los EE.UU. y al **1-319-622-5511** fuera de los EE.UU. Cuando se comunique con Amana, proporcione la información del producto. La información del producto se encuentra en la placa del número de serie, ubicada en la esquina izquierda superior del techo de la sección Fresh Food. El servicio bajo la garantía debe realizarlo un técnico **autorizado** de Amana. Amana también recomienda que si se necesita servicio después de haberse vencido la garantía, se ponga en contacto con un técnico **autorizado** de Amana.

- **Centro de servicio de fábrica Amana en Arizona**
También expide servicio en algunas zonas de Nevada
- **Centro de servicio de fábrica Amana en el Sur de California**
- **Centro de servicio de fábrica Amana en Colorado**
También expide servicio en algunas zonas de Utah
- **Centro de servicio de fábrica Amana en Florida**
- **Centro de servicio de fábrica Amana en Georgia**
También expide servicio en algunas zonas de Alabama, Carolina del Norte, Carolina del Sur y Tennessee
- **Centro de servicio de fábrica Amana en Iowa**
También expide servicio en algunas zonas de Kansas, Minnesota, Missouri y Wisconsin
- **Centro de servicio de fábrica Amana en Illinois**
También expide servicio en algunas zonas de Indiana y Kentucky
- **Centro de servicio de fábrica Amana en Massachusetts**
También expide servicio en algunas zonas de New Hampshire y Rhode Island
- **Centro de servicio de fábrica Amana en Maryland**
También expide servicio en algunas zonas de

Pennsylvania, Virginia y Washington D.C.

- **Centro de servicio de fábrica Amana en New York**
También expide servicio en algunas zonas de Connecticut y New Jersey
- **Centro de servicio de fábrica Amana en Ohio**
También expide servicio en algunas zonas de Michigan y Pennsylvania
- **Centro de servicio de fábrica Amana en Texas**

Plan de servicio Asure™

Amana se complace en ofrecer un servicio de protección a largo plazo para este refrigerador nuevo. El Plan de servicio extendido Asure™ ha sido especialmente diseñado para complementar la poderosa garantía de Amana. Asure™ proporciona una cobertura al refrigerador que protege su presupuesto e incluye las piezas, mano de obra y viáticos. Su distribuidor Amana® le puede proporcionar más detalles, o llame al departamento Asure™ al 1/800-528-2682.

Garantía (Modelos que no son electrónicos)

Garantía completa de un año

Garantía completa de cinco años en los componentes del sistema sellado y en el revestimiento del compartimiento de los alimentos

Primer año

Amana Refrigeration, Inc. reparará o reemplazará sin cargo alguno, cualquier pieza que esté defectuosa debido a la mano de obra o a los materiales.

Del segundo al quinto año

Amana Refrigeration, Inc. reemplazará, sin cargo alguno, cualquier componente del sistema sellado (compresor, condensador, evaporador y la tubería de interconexión) y reparará cualquier revestimiento del compartimiento de los alimentos (excluyendo el revestimiento de la puerta) que esté defectuoso debido a la mano de obra o a los materiales.

Limitaciones de la garantía

- Comienza a partir de la fecha de la compra original.
- Se aplica a productos que se van a usar dentro de los Estados Unidos o en Canadá, si el producto viene de la fábrica con la aprobación de la Asociación de Normas Canadienses.
- El servicio debe realizarlo un técnico **autorizado** de Amana.

La garantía se anulará si:

- La placa del número de serie está borrosa o ilegible.
- Se le ha dado uso comercial al producto, se ha rentado o alquilado.
- El producto tiene algún defecto o daño debido a un accidente, alteración, conexión eléctrica incorrecta, incendio, inundación, relámpagos, envío o manejo del producto, u otras condiciones fuera del control de Amana Refrigeration, Inc.
- El producto ha sido instalado o usado incorrectamente.

Responsabilidades del propietario

- Proporcionar evidencia de compra (recibo).
- Proporcionar cuidado y mantenimiento normales. Reemplazar los artículos reemplazables por el propietario de acuerdo con las instrucciones que aparecen en el Manual del propietario.
- Permitir que el producto sea razonablemente accesible por el personal de servicio.
- Pagar una compensación de los gastos de servicio por los servicios prestados por el técnico fuera de su horario habitual de trabajo.
- Pagar por las llamadas para solicitar servicio relacionado con la instalación del producto.

En ningún caso Amana Refrigeration, Inc. se hará responsable de daños incidentales o emergentes, incluyendo la pérdida de alimentos*

*Esta garantía otorga derechos legales específicos y puede ser que existan otros derechos que difieren de un estado a otro. Por ejemplo, algunos estados no permiten la exclusión o limitación de los daños incidentales o emergentes, por lo tanto, es posible que esta exclusión no le afecte a usted.

Part No.10994604
Printed in U.S.A.

Amana
A **Raytheon** Company

Raytheon Appliances
Amana, Iowa 52204

