

Use & Care Guide
Manual de Uso y Cuidado

English / Español



For best results, a low-sudsing, HE High Efficiency Detergent made for high efficiency washers must be used.



Para obtener los mejores resultados, deberá utilizarse un detergente HE para lavadoras de alta eficacia y baja espuma.

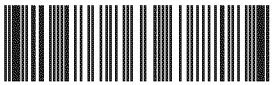
Model/Modelo: 796.4158#

Kenmore Elite[®]

Front-Loading Automatic Washer

Lavadora automática de carga frontal

= color number, numero de color



MFL68639705

Sears Brand Management Corporation
Hoffman Estates, IL 60179 U.S.A.

www.kenmore.com
www.sears.com



TABLE OF CONTENTS

IMPORTANT SAFETY INSTRUCTIONS.....	3-5
GROUNDING REQUIREMENTS.....	5
FEATURES AND BENEFITS	
Key Parts and Components	6
Included Accessories	6
Optional Accessories.....	6
INSTALLATION REQUIREMENTS	
Key Dimensions and Specifications	7
Choose the Proper Location	7
Flooring.....	7
Clearances	7
INSTALLATION INSTRUCTIONS	
Unpacking and Removing Shipping Bolts.....	8
Connecting the Water Lines.....	9
Connecting the Drain Hose	10
Connect to the Power Supply.....	10
Leveling the Washer	11
Installation of Non-Skid Pads (optional).....	11
HOW TO USE	
Control Panel Features.....	12
Operating the Washer.....	13
Cycle Guide	14-15
Sorting Wash Loads.....	16
About the Dispenser Drawer	17
Detergent and Dispenser Use.....	18
Time and Status Display.....	19
Cycle Modifier Buttons.....	20
Steam Cycles and Options.....	21
Special Functions.....	22
CARE AND CLEANING	
Regular Cleaning.....	23-24
Maintenance	25-26
Cleaning the Water Inlet Filters.....	25
Cleaning the Drain Pump Filter	26
KENMORE CONNECT™ System.....	27
TROUBLESHOOTING GUIDE	
Normal Sounds You May Hear.....	28
Before Calling for Service	28-30
WARRANTY	31

PRODUCT RECORD

In the space below, record the date of purchase, model, and serial number of your product. You will find the model and serial number printed on an identification plate located inside the washer door. Have these items of information available whenever you contact Sears concerning your product.

Model No. _____

Date of Purchase _____

Serial No. _____

Save these instructions and your sales receipt for future reference.

PROTECTION AGREEMENTS

Master Protection Agreements

Congratulations on making a smart purchase. Your new Kenmore Elite® product is designed and manufactured for years of dependable operation. But like all products, it may require preventive maintenance or repair from time to time. That's when having a Master Protection Agreement can save you money and aggravation.

The Master Protection Agreement also helps extend the life of your new product. Here's what the Agreement* includes:

- **Parts and labor** needed to help keep products operating properly **under normal use**, not just defects. Our coverage goes **well beyond the product warranty**. No deductible, no functional failure excluded from coverage – **real protection**.
- **Expert service** by a force of more than 10,000 authorized **Sears service technicians**, which means someone you can trust will be working on your product.
- **Unlimited service calls and nationwide service**, as often as you want us, whenever you want us.
- **“No-lemon” guarantee** – replacement of your covered product if four or more product failures occur within twelve months.
- **Product replacement** if your covered product can not be fixed.
- **Annual Preventive Maintenance Check** at your request – no extra charge.
- **Fast help by phone** – we call it **Rapid Resolution**. Phone support from a Sears representative on all products. Think of us as a “talking owner’s manual.”
- **Power surge protection** against electric damage due to power fluctuations.
- **\$250 food loss protection annually** for any food spoilage that is the result of mechanical failure of any covered refrigerator or freezer.
- **Rental reimbursement** if repair of your covered product takes longer than promised.
- **25% discount** off the regular price of any non-covered repair service and related installed parts.

Once you purchase the Agreement, a simple phone call is all that it takes for you to schedule service. You can call at any time day or night or schedule a service appointment online.

The Master Protection Agreement is a risk-free purchase. If you cancel for any reason during the product warranty period, we will provide a full refund, or a prorated refund any time after the product warranty period expires. Purchase your Master Protection Agreement today!

Some limitations and exclusions apply.
For prices and additional information in the U.S.A. call 1-800-827-6655.

***Coverage in Canada varies on some items.**
For full details call Sears Canada at 1-800-361-6665.

Sears Installation Service

For Sears professional installation of home appliances, garage door openers, water heaters, and other major home items, in the U.S.A. or Canada call: 1-800-4-MY-HOME®.

SAFETY MESSAGES

There are many important safety messages in this manual and on your appliance. Always read and obey all safety messages.



This is the safety alert symbol. This symbol alerts you to potential hazards that can result in property damage and/or serious bodily harm or death.

All safety messages will follow the safety alert symbol and either the word DANGER or WARNING. These words mean:

DANGER

Indicates a hazardous situation which, if not avoided, will result in death or serious injury.

WARNING

Indicates a hazardous situation which, if not avoided, could result in death or serious injury.

All safety messages will tell you what the potential hazard is, tell you how to reduce the chance of injury, and tell you what can happen if the instructions are not followed.

IMPORTANT SAFETY INSTRUCTIONS

WARNING

To reduce the risk of fire, electric shock, or injury to persons when using this appliance, follow basic precautions, including the following.

- Before use, the washer must be properly installed as described in this manual.
- Do not wash articles that have been previously cleaned in, washed in, soaked in, or spotted with gasoline, dry cleaning solvents, or other flammable or explosive substances, as they give off vapors that could ignite or explode.
- Do not add gasoline, dry cleaning solvents, or other flammable or explosive substances to the wash water. These substances give off vapors that could ignite or explode.
- Under certain conditions, hydrogen gas may be produced in a hot water system that has not been used for two weeks or more. **HYDROGEN GAS IS EXPLOSIVE.** If the hot water system has not been used for such a period, before using the washer, turn **ON** all hot water faucets and let the water flow from each for several minutes. This will release any accumulated hydrogen gas. As the gas is flammable, do not smoke or use an open flame during this time.
- Do not allow children to play on or in the washer. Close supervision of children is necessary when the washer is used near children.
- Before the washer is removed from service or discarded, remove the door to prevent children from climbing inside.
- Do not install or store the washer where it will be exposed to the weather or freezing temperatures.
- Do not tamper with controls.
- Do not repair or replace any part of the washer or attempt any servicing other than as described in this manual. We strongly recommend that any service be performed by a qualified technician.
- See Installation Instructions for grounding requirements.
- **ALWAYS** follow the fabric care instructions supplied by the garment manufacturer.
- Do not place items exposed to cooking oil in your washer. Items contaminated with cooking oils may contribute to a chemical reaction that could cause a load to catch fire.
- Use fabric softeners or products to eliminate static only as recommended by the manufacturer.
- This washer is not designed for maritime use or for mobile installations such as in RVs, aircraft, etc.
- Turn **OFF** the water faucets and unplug the washer if the machine is to be left for an extended period of time, such as during vacations.
- Packaging material can be dangerous for children. **There is a risk of suffocation.** Keep all packaging from children.
- Always check the inside of the washer for foreign objects before loading laundry. Keep the door closed when not in use.
- **WARNING:** This product contains chemicals known to the State of California to cause cancer and birth defects or other reproductive harm. **Wash hands after handling.**

⚠ WARNING

To reduce the risk of fire, electric shock, or injury to persons when using this appliance, follow basic precautions, including the following.

- **Unplug the washer before cleaning** to avoid the risk of electric shock.
- **Never use harsh chemicals, abrasive cleaners, or solvents to clean the washer.** They will damage the finish.
- **Do not put oily or greasy rags or clothing on top of the washer.** These substances give off vapors that could ignite the materials.
- **Do not wash items that are soiled with vegetable or cooking oil.** These items may contain some oil after laundering and may catch fire.
- **Disconnect this appliance from the power supply before attempting any user maintenance.** Turning the controls to the OFF position does not disconnect this

appliance from the power supply. Failure to follow this warning can cause serious injury, fire, electric shock, or death.

- **Do not combine detergents, fabric softeners, and/or other laundry products from different manufacturers for use in a load, unless specified on the fabric label.**
- **Do not mix chlorine bleach with ammonia or acids such as vinegar. Follow package directions when using laundry products.** Incorrect usage can produce poisonous gas, resulting in serious injury or death.
- **Do not reach into the washer while parts are moving. Before loading, unloading, or adding items, push in the cycle selector knob and allow the drum to coast to a complete stop before reaching inside.** Failure to follow this warning can cause serious injury, fire, electric shock or death.

⚠ WARNING

- **Refer to INSTALLATION INSTRUCTIONS for detailed grounding procedures.** Installation instructions are packed in the washer for the installer's reference. If the washer is moved to a new location, have it checked and reinstalled by a qualified service technician. Failure to follow this warning can cause serious injury, fire, electric shock, or death.
- **Do not, under any circumstances, cut or remove the third (ground) prong from the power cord.** Failure to follow this warning can cause serious injury, fire, electric shock, or death.
- **For personal safety, this appliance must be properly grounded.** Failure to follow this warning can cause serious injury, fire, electric shock, or death.
- **The power cord of this appliance is equipped with a 3-prong (grounding) plug which mates with a standard 3-prong (grounding) wall outlet** to minimize the possibility of electric shock hazard from this appliance.
- **This washer must be plugged into a 120VAC, 60Hz grounded outlet.** Failure to follow this warning can cause serious injury, fire, electric shock, or death.
- **Have the wall outlet and circuit checked by a qualified electrician to make sure the outlet is properly grounded.** Failure to follow this warning can cause serious injury, fire, electric shock, or death.
- **Where a standard 2-prong wall outlet is encountered, it is your personal responsibility and obligation to have it replaced with a properly grounded 3-prong wall outlet.** Failure to follow this warning can cause serious injury, fire, electric shock, or death.
- **Do not install on carpet. Install the washer on a solid floor.** Failure to follow this warning can cause serious leak damage.
- **Do not remove grounding prong. Do not use an adapter or extension cord. Plug into a grounded 3-prong outlet.** Failure to follow these warnings can cause serious injury, fire, electric shock, or death.

- **The washer should always be plugged into its own individual electrical outlet which has a voltage rating that matches the rating plate.** This provides the best performance and also prevents overloading house wiring circuits which could cause a fire hazard from overheated wires.
- **Never unplug your washer by pulling on the power cord.** Always grip plug firmly and pull straight out from the outlet. Failure to follow this warning can cause serious injury, fire, electric shock, or death.
- **Immediately repair or replace all power cords that have become frayed or otherwise damaged. Do not use a cord that shows cracks or abrasion damage along its length or at either end.** Consult with a qualified service technician. Failure to follow this warning can cause serious injury, fire, electric shock, or death.
- **When installing or moving the washer, be careful not to pinch, crush, or damage the power cord.** Failure to follow this warning can cause serious injury, fire, electric shock, or death.
- **The washer must be installed and electrically grounded by a qualified service technician in accordance with local codes** to prevent shock hazard and assure stability during operation.
- **The washer is heavy. Two or more people may be needed to install and move the appliance.** Failure to do so can result in damage to property or serious bodily injury.
- **Store and install the washer where it will not be exposed to temperatures below freezing or exposed to outdoor weather conditions.** Failure to follow this warning can cause serious leak damage.
- **To reduce the risk of electric shock, do not install the washer in humid spaces.** Failure to follow this warning can cause serious injury, fire, electric shock, or death.

⚠ WARNING: RISK TO CHILDREN

- Do not allow children to play on or in the washer. Close supervision of children is necessary when the washer is used near children. As children grow, teach them the proper, safe use of all appliances. Failure to comply with these warnings could result in serious personal injury.
- Destroy the carton, plastic bag, and other packing materials after the washer is unpacked. Children might use them for play. Cartons covered with rugs, bedspreads, or plastic sheets can become airtight chambers. Failure to comply with these warnings could result in serious personal injury.
- Keep laundry products out of children's reach. To prevent personal injury, observe all warnings on product labels. Failure to comply with these warnings could result in serious personal injury.
- Before your washer is removed from service or discarded, remove the door to the washing compartment to avoid the danger of children or small animals getting trapped inside. Failure to do so can result in serious personal injury or death.

GROUNDING REQUIREMENTS

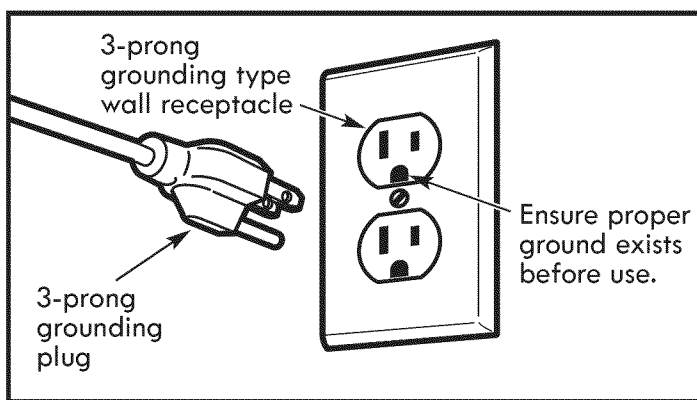
IMPORTANT: Please read carefully. TO CONNECT ELECTRICITY

⚠ WARNING

Improper connection of the equipment-grounding conductor can result in risk of electric shock. Check with a qualified electrician or service technician if you are in doubt as to whether the appliance is properly grounded. Do not modify the plug provided with the appliance. If it does not fit the outlet, have a proper outlet installed by a qualified electrician. Failure to follow these warnings can cause serious injury, fire, electric shock, or death.

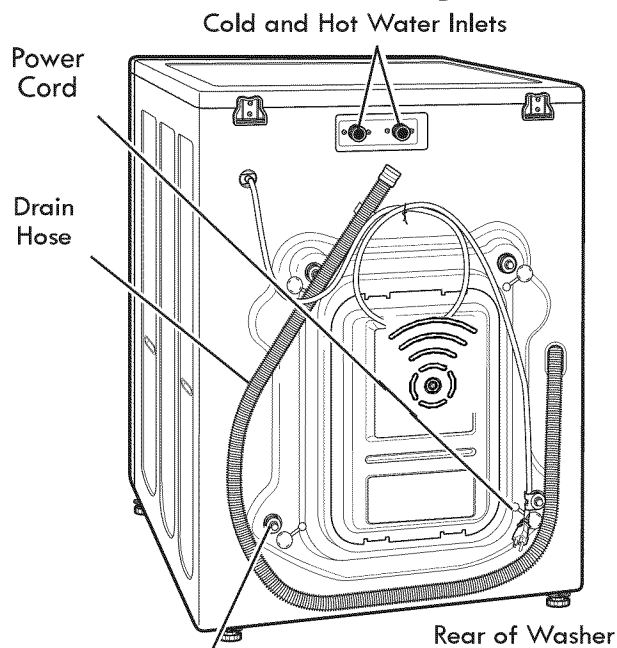
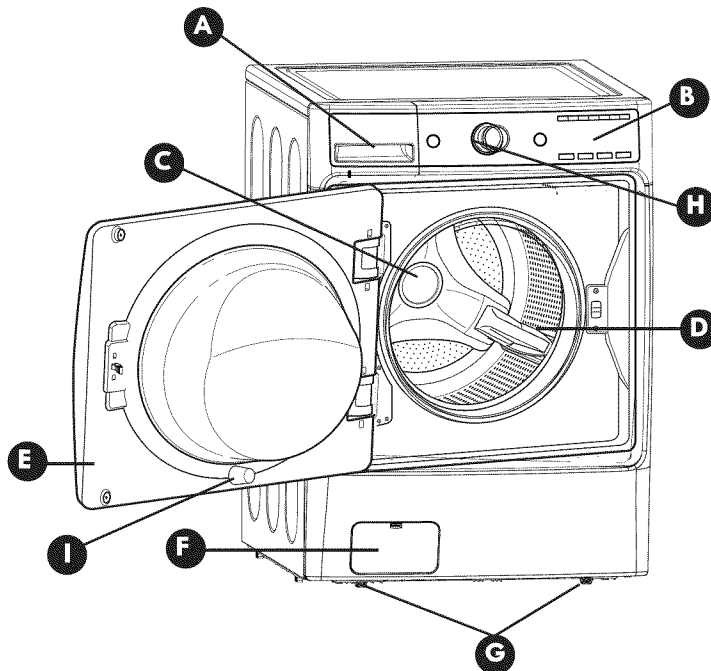
GROUNDING INSTRUCTIONS

This appliance must be grounded. In the event of malfunction or breakdown, grounding will reduce the risk of electric shock by providing a path of least resistance for electric current. This appliance is equipped with a cord having an equipment-grounding conductor and grounding plug. The plug must be plugged into an appropriate outlet that is properly installed and grounded in accordance with all local codes and ordinances.

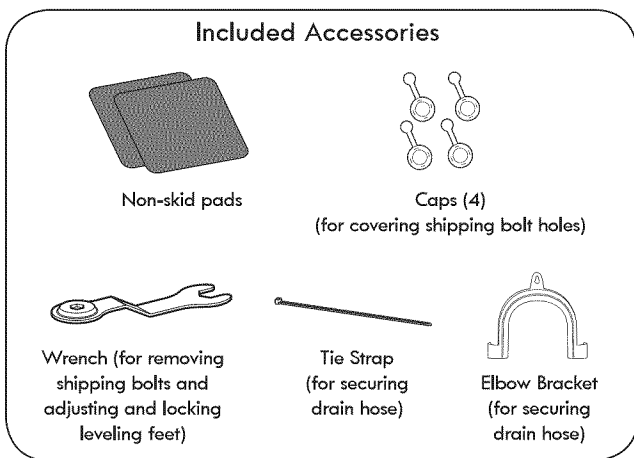


KEY PARTS AND COMPONENTS

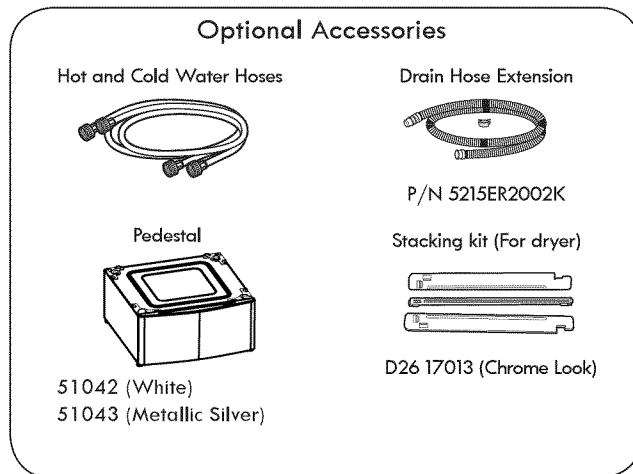
- A DETERGENT DISPENSER**
There are four compartments. One each for prewash, main wash, liquid bleach, and liquid fabric softener.
- B CONTROL PANEL WITH LED DISPLAY**
The easy-to-read LED display shows cycle options, settings, cycle status, and estimated time remaining during operation.
NOTE: Sensors in the washer automatically detect the size of the wash load to optimize washing time, based on the selected cycle and options.
- C DIRECT-DRIVE MOTOR**
The direct-drive motor provides improved performance and reliability while increasing energy efficiency. (Motor is not visible.)
- D LARGE-CAPACITY STAINLESS STEEL DRUM**
The ultra-large stainless steel drum offers extreme durability and is tilted to improve efficiency and allow easier access for large items.
- E EASY-ACCESS LOCKING DOOR**
The extra-large door locks during operation. The door will not open until it is safe to do so.
- F FILTER ACCESS PANEL**
Provides easy access to the drain pump filter, which allows you to clean the filter or retrieve lost items without a service call.
- G LEVELING FEET**
Four leveling feet (two in the front and two in the back) adjust to improve washer stability on uneven floors. Feet are adjusted and locked in place using the adjusting wrench included with the washer.
- H HIGH-EFFICIENCY STEAM CYCLES**
During high-efficiency steam cycles, hot steam interacts with fabrics to help remove tough stains.
- I DOOR MAGNET**
Safely and conveniently keeps the door ajar. There are two door closed positions, fully closed and slightly ajar. In the latter position, the door is only closed to the door magnet to keep the door slightly open when the washer is not in use. This will promote air circulation and allow the interior of the machine to dry. To use this feature, close the door just until it contacts the door magnet.



Shipping Bolts/Retainers (4)
NOTE: Bolts/Retainers MUST be removed prior to operation. Keep for future use.



Wrench appearance may vary.



INSTALLATION REQUIREMENTS

KEY DIMENSIONS AND SPECIFICATIONS

Description	Front-Loading Washer
Electrical Requirements	120 VAC, 60 Hz
Max. Water Pressure	14.5 – 142 PSI (100 – 980 kpa)
Dimensions	27" (W) x 29 ³ / ₄ " (D) x 38 ¹¹ / ₁₆ " (H), 51" (D with door open) 68.6 cm (W) X 75.6 cm (D) X 98.3 cm (H), 129.5 cm (D with door open)
Net Weight	205 lbs (93 kg)
Max. Spin Speed	1,300 RPM

CHOOSE THE PROPER LOCATION

! WARNING

- **This washer is heavy. Two or more people are required when moving and unpacking the washer.** Failure to do so may result in damage to property or serious bodily harm.
- **Store and install the washer where it will not be exposed to temperatures below freezing or exposed to outdoor weather conditions.** Failure to follow this warning can cause serious injury, fire, electric shock, or death.
- **Properly ground washer to conform with all electric governing codes and ordinances.** Failure to follow this warning can cause serious injury, fire, electric shock, or death.
- **To reduce the risk of electric shock, do not install the washer in humid spaces.** Failure to follow this warning can cause serious injury, fire, electric shock, or death.
- **To ensure proper air flow, do not block the large opening on the bottom of the washer with carpeting or other materials.**
- **Do not remove ground prong. Do not use an adapter or extension cord. Plug into a grounded 3-prong outlet.** Failure to follow this warning can cause serious injury, fire, electric shock, or death.

Power Outlet

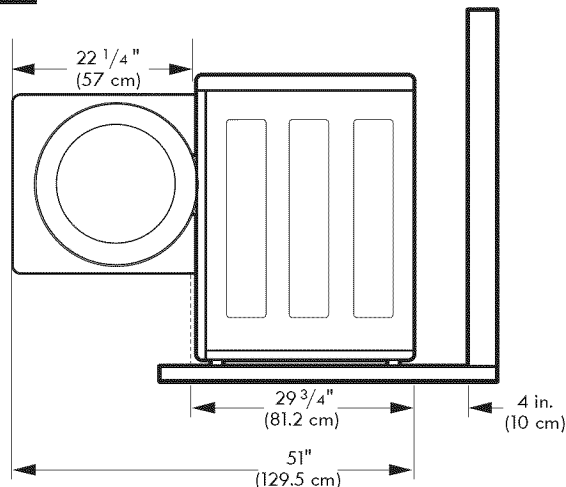
- The power outlet must be within 60 in. (1.5 m) of either side of the washer.
- The appliance and outlet must be positioned so that the plug is easily accessible.
- Do not overload the outlet with more than one appliance.
- The outlet must be grounded in accordance with current wiring electric codes and regulations.
- Time-delay fuse or circuit breaker is recommended.

NOTE: It is the personal responsibility and obligation of the product owner to have a proper outlet installed by a qualified service technician.

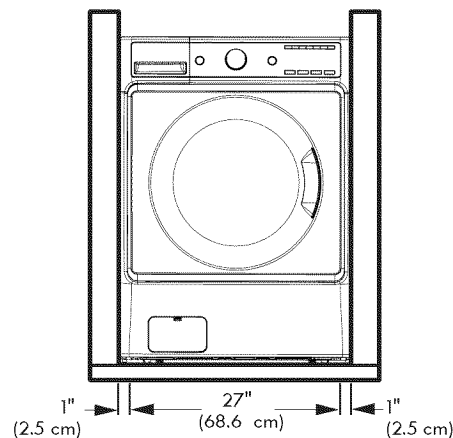
FLOORING

- To minimize noise and vibration, the washer **MUST** be installed on a solidly constructed floor. See the NOTE to your right.
- Allowable slope under the entire washer is a maximum 1 in. difference from side to side or from front to back.
- Installing on carpeting and soft tile surfaces is not recommended.
- Never install the washer on a platform or weakly supported structure.

CLEARANCES



To ensure sufficient clearance for water lines and airflow, allow minimum clearances of at least 1 in. (2.5 cm) at the sides and 4 in. (10 cm) behind the unit. Be sure to allow for wall, door, or floor moldings that may increase the required clearances.



Allow at least 27 in. (68.6 cm) in front of the washer to open the door.

NOTE: The floor must be strong and rigid enough to support the weight of the washer, when fully loaded, without flexing or bouncing. If your floor has too much flex, you may need to reinforce it to make it more rigid. A floor that is adequate for a top-loading washer may not be rigid enough for a front loading washer, due to the difference in the spin speed and direction. If the floor is not solid, your washer may vibrate and you may hear and feel the vibration throughout your house.

UNPACKING AND REMOVING SHIPPING BOLTS

When removing the washer from the carton base, be sure to remove the foam drum support in the middle of the carton base. See drawing below.

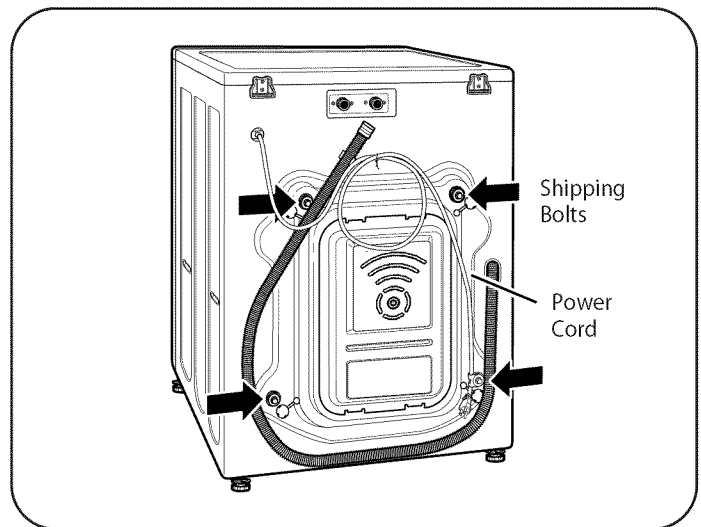
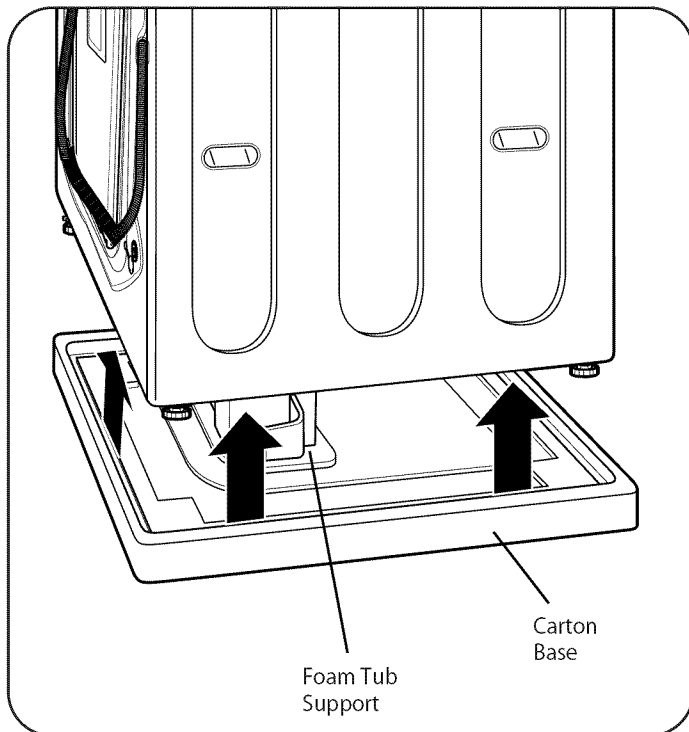
If you must lay the washer down to remove the base packaging materials, always protect the side of the washer and lay it carefully on its side. **DO NOT** lay the washer on its front or back.

To prevent internal damage during transport, the washer is equipped with four shipping bolts and plastic retainers.

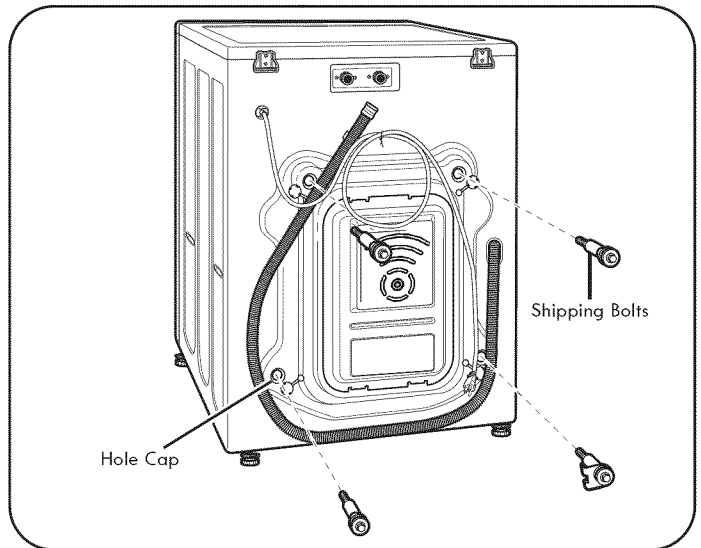
IMPORTANT:

- These shipping bolts and retainers **MUST NOT** be removed until just before moving the washer into its final position.
- These bolts and retainers **MUST** be removed before operating the washer.
- Failure to remove shipping bolts and retainers may cause severe vibration and noise, which can lead to permanent damage to the washer.

NOTE: The power cord is secured to the back of the washer with a shipping bolt to help prevent operation with shipping bolts in place.



1. Starting with the bottom two shipping bolts, use the wrench (included) to fully loosen all four shipping bolts by turning them counterclockwise.

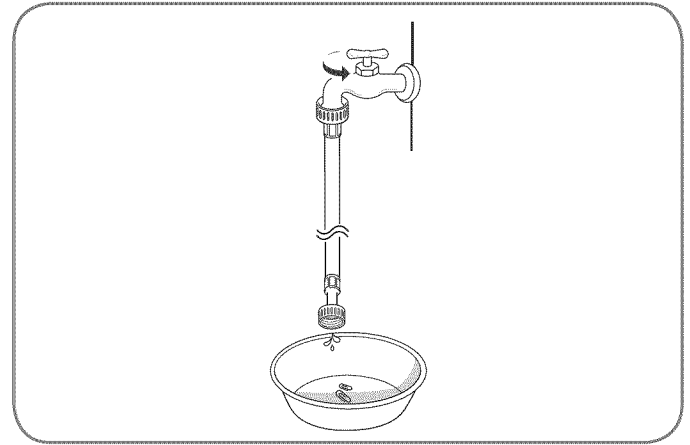


2. Remove the bolt assemblies by wiggling them slightly while pulling.
3. Locate the four hole caps included in the accessory pack and install them in the shipping bolt holes.

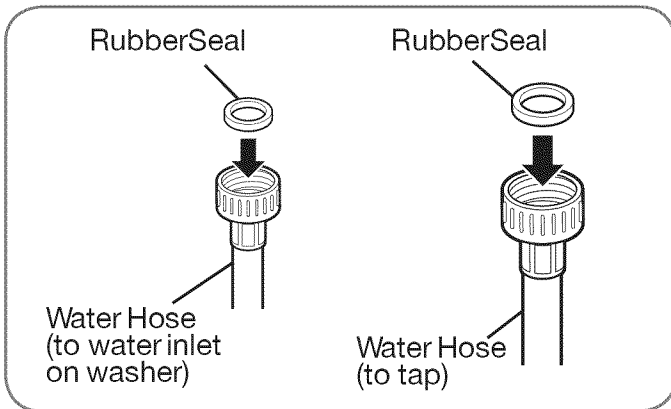
NOTE: Save the bolt assemblies for future use. To prevent damage to internal components, **DO NOT** transport the washer without reinstalling the shipping bolts.

CONNECTING THE WATER LINES

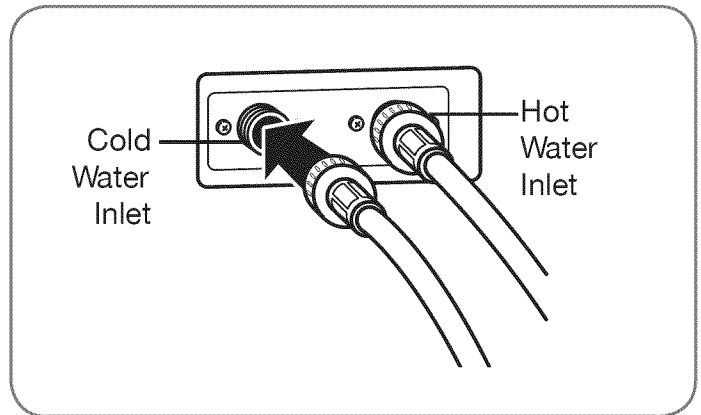
- **IMPORTANT:** Use new hoses when installing the washer. Do NOT reuse old hoses.
- Water supply pressure must be between 14.5 psi and 142 psi (100 – 980 kPa) . If the water supply pressure is more than 142 psi, a pressure reducing valve must be installed.
- Periodically check the hose for cracks, leaks, and wear, and replace the hose if necessary.
- Make sure that the water lines are not stretched, pinched, crushed, or kinked.
- The washer should never be installed or stored in a location subject to freezing temperatures. Damage to the water lines and internal mechanisms of the washer can result. If the washer was exposed to freezing temperatures prior to installation, allow it to stand at room temperature for several hours before use and check for leaks prior to operation.
- For optimal wash performance, the hot water temperature should be set at 120°-135°F (48-57°C) and the cold water at 60°F (15°C).



3. Always run a gallon or two of water through each inlet hose to flush dirt, scale and other debris out of the water lines. Doing so will help prevent future problems with clogged filter screens, and will also allow you to verify which hose is hot and which is cold.



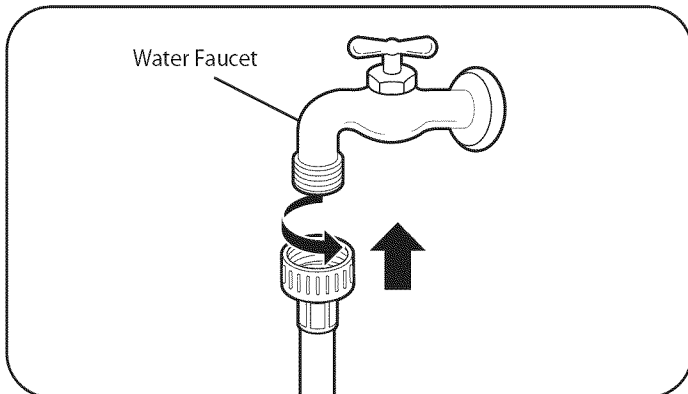
1. Inspect the threaded fitting on each hose and make sure there is a rubber seal in place in both ends.



WARNING: Do not overtighten the hoses. Overtightening can damage the valves resulting in leaking and property damage.

4. Attach the (red) hot water line to the hot water inlet on the back of the washer. Attach the (blue) cold water line to the cold water inlet on the back of the washer. Tighten the fittings securely.

NOTE: When installing the hoses onto the water inlet valves, be careful not to cross-thread the hose fittings. DO NOT overtighten the hoses; this could cause damage to internal components, the valve or the hose gasket. Overtightening could result in property damage from leaks.



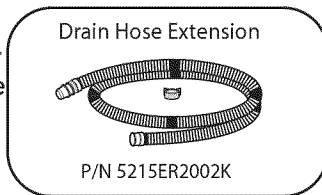
2. Connect the water supply hoses to the HOT and COLD water faucets tightly by hand and then tighten another 2/3 turn with pliers.

CONNECTING THE DRAIN HOSE

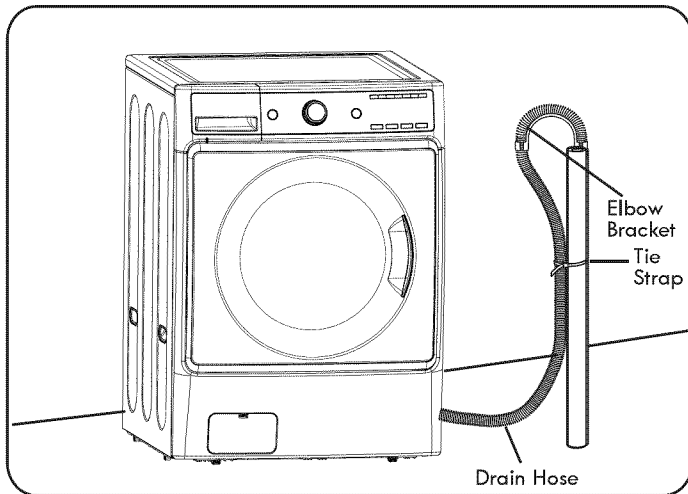
- The drain hose should always be properly secured. Failure to properly secure the drain hose can result in flooding and property damage.
- Do not install the end of the drain hose higher than 96 in. (243.8 cm) above the bottom of the washer.
- The drain must be installed in accordance with any applicable local codes and regulations.
- Make sure that the drain hose is not stretched, pinched, crushed, or kinked.

NOTE:

A drain hose extension kit is available if the drain hose is not long enough. Do not extend the drain hose more than 6 feet, as this will cause poor draining, which will result in poor wash and spin performance.



Option 1: Standpipe

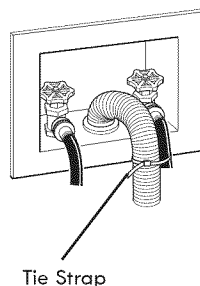


Install the end of the drain hose into the elbow bracket. Do not extend the drain hose more than 4 inches past the end of the elbow bracket. Use a tie strap to secure the drain hose in place.

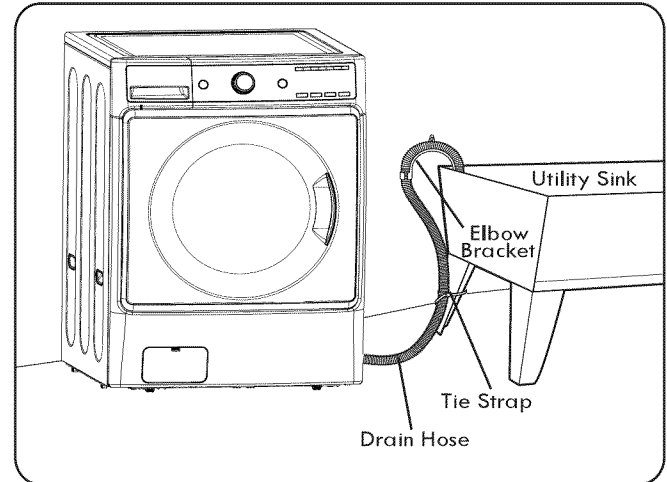
NOTE:

- Total height of the hose end should not exceed 96 in. (243.8 cm) from the bottom of the washer.
- The drain hose should be inserted no more than 8–12 inches into the standpipe. Inserting more than 8–12 inches can cause mold or microorganisms to spread to the inside of the washer.

If the water valves and drain are built into the wall, fasten the drain hose to one of the water hoses with the tie strap (ribbed side on inside).

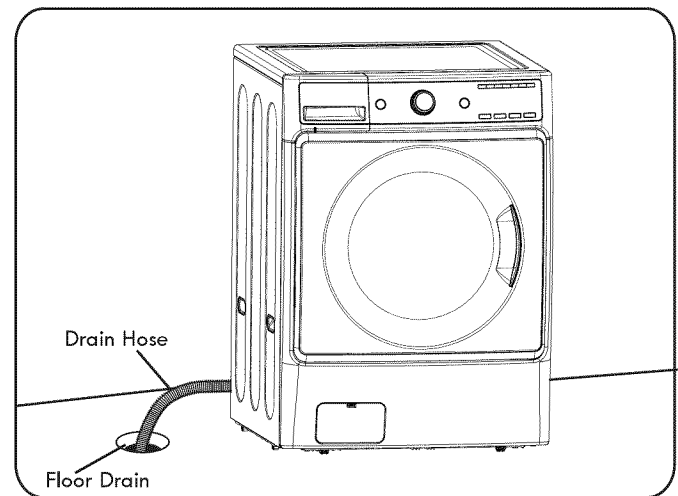


Option 2: Laundry Drum



The elbow bracket should be installed near the end of the drain hose. Hang the end of the drain hose over the side of the utility sink. Use a tie strap to secure the drain hose in place.

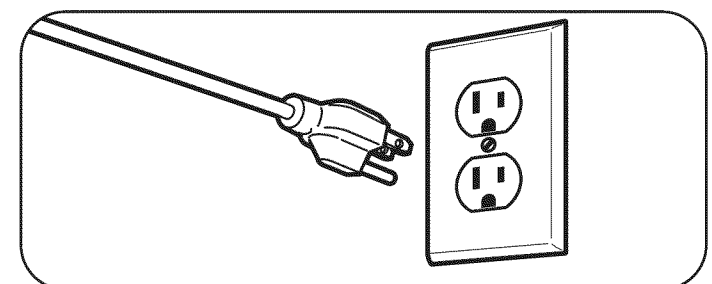
Option 3: Floor Drain



Insert the end of the drain hose into the floor drain. If possible, secure the hose to prevent it from moving or coming out of the drain.

CONNECT TO THE POWER SUPPLY

Washer should be plugged into a 120-VAC, 60-Hz grounded 3-prong outlet. Plug in the washer.



LEVELING THE WASHER

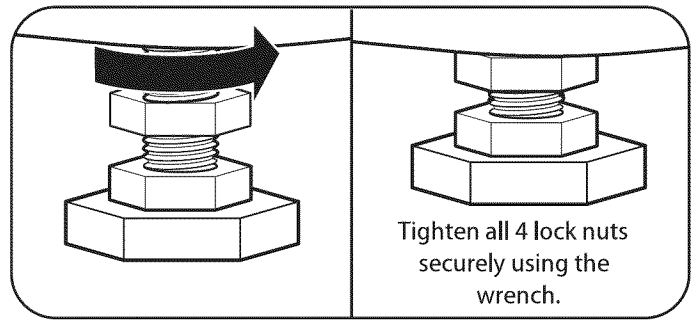
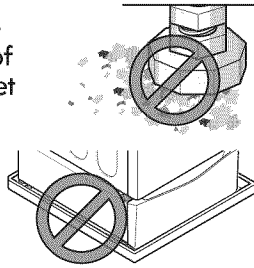
The drum of your new washer spins at very high speeds. To minimize vibration, noise, and unwanted movement, the floor must be a level, solid surface.

NOTE: Adjust the leveling feet only as far as necessary to level the washer. Extending the leveling feet more than necessary can cause the washer to vibrate.

NOTE: Before installing the washer, make sure that the floor is clean, dry and free of dust, dirt, water and oils so the washer feet cannot slide easily. Leveling feet that move or slide on the floor can contribute to excess vibration and noise due to poor contact with the floor. See **INSTALLATION OF NON-SKID PADS** for more information.

NOTE: If a drip pan must be used, make sure to follow the instructions provided with the drip pan and make sure the leveling feet are adjusted for firm and even contact with the pan. Use of drip pans and failure to properly level the machine may result in increased vibration and noise during operation.

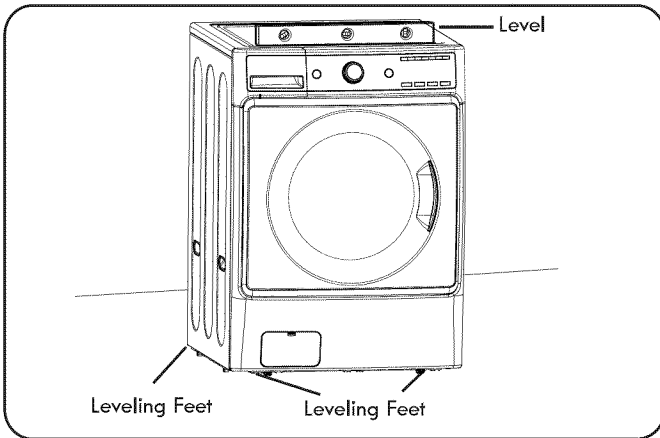
All four leveling feet must rest solidly on the floor. Rock the washer from corner to corner to make sure that all four leveling feet are in firm and even contact with the floor.



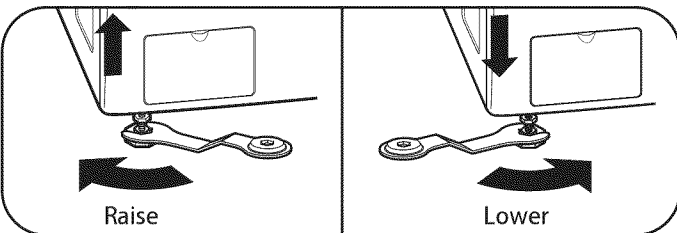
3. Once the washer is level from side to side and front to back, use the adjusting wrench to tighten all four lock nuts securely to prevent the legs from getting out of adjustment during operation. Make sure that all four leveling feet are in firm contact with the floor.

NOTE: To make sure that the washer is properly level, run the washer with a test load: place a medium-sized load of laundry in the machine. Then, press **POWER**, select **RINSE & SPIN**, and press the **START/PAUSE** button.

See the following sections for additional information on cycle selection and operation. Verify that the washer does not rock or vibrate excessively during the spin cycle. If the washer vibrates or shakes, adjust the leveling feet, while the washer is spinning, until the vibrations are reduced.



1. Position the washer in its final location, taking special care not to pinch, strain, or crush the water and drain lines. Place a level across the top of the washer.



2. Loosen the locknuts on all four leveling feet with the wrench until you can adjust the feet (wrench appearance may vary). Use the wrench to turn the feet clockwise to raise the washer, and counterclockwise to lower the washer. Using a level, adjust the feet until the washer is level from side to side and front to back. Make sure that all four feet are in firm contact with the floor.

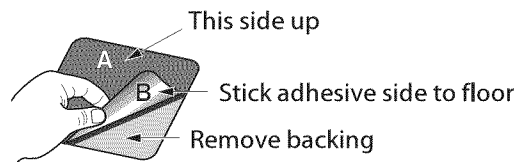
NOTE: If you are installing the washer on the optional pedestal, the washer leveling feet should be fully retracted. Use the leveling feet on the pedestal to level the washer.

INSTALLATION OF NON-SKID PADS (optional)

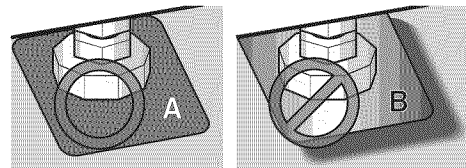
Some floor surfaces are too slippery to prevent the washer from moving on the floor during heavily unbalanced loads. While it is normal for an occasional load to be out of balance, excess noise and vibration can result from the washer moving out of position. If these conditions are encountered, follow the instructions below for installation of the non-skid pads. These pads will help prevent the washer from moving during heavy, out of balance conditions, thereby reducing noise and vibration.

NOTE: The non-skid pads are included in the installation packet

Non-skid pads

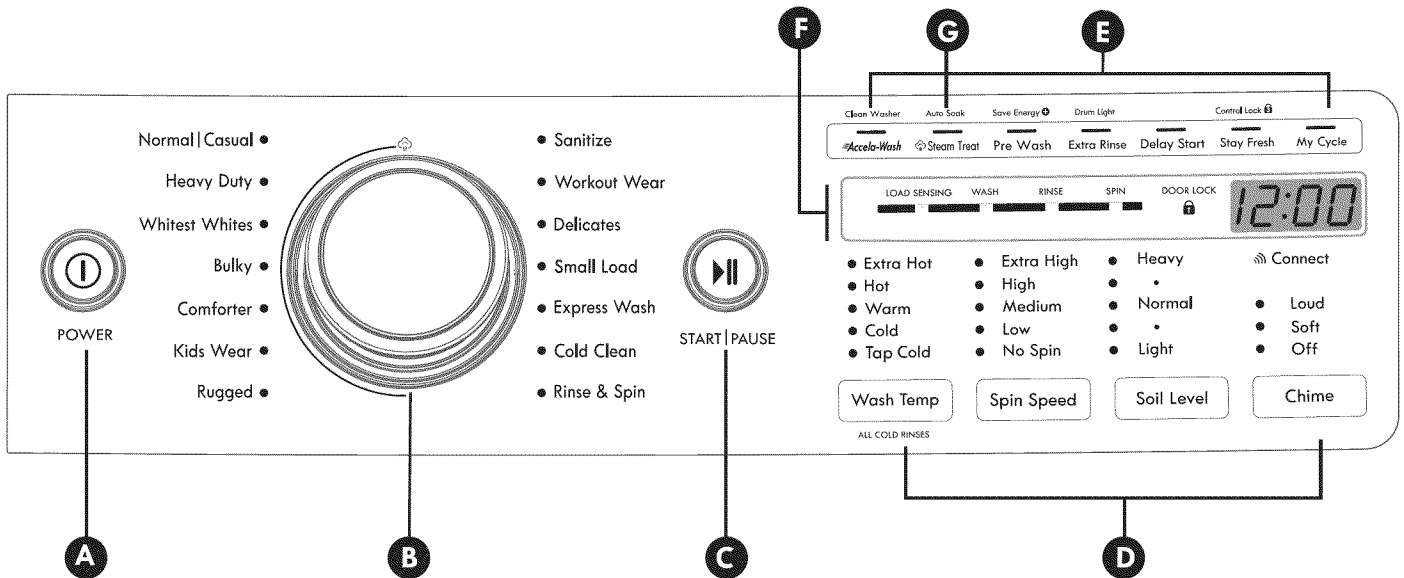


* Place the pads under both front feet.



WARNING: To reduce the risk of fire, electric shock, or injury to persons, read and follow this entire Use & Care Guide, including the Important Safety Instructions, before operating this washer.

CONTROL PANEL FEATURES



A POWER (ON/OFF) BUTTON

Press to turn the washer ON or OFF.

NOTE: Pressing the POWER button during a cycle will cancel that cycle and any load settings will be lost. The door will unlock after a brief pause, unless the water level or temperature is too high.

B CYCLE SELECTOR KNOB

Turn this knob to select the desired cycle. Once the desired cycle has been selected, the standard presets will appear in the display. These settings can be adjusted using the cycle setting buttons anytime before starting the cycle.

C START/PAUSE BUTTON

Press this button to start the selected cycle. If the washer is running, use this button to pause the cycle without losing the current settings.

NOTE: If you do not press the START/PAUSE button within four minutes of selecting a cycle, the washer automatically turns OFF.

D CYCLE MODIFIER BUTTONS

Use these buttons to adjust the settings for the selected cycle. The settings light up above the buttons to show the current selection.

E SPECIAL CYCLE AND OPTION BUTTONS

These buttons are used to activate special cycles or options.

F TIME AND STATUS DISPLAY

The display shows the cycle status, door lock status and estimated time remaining.

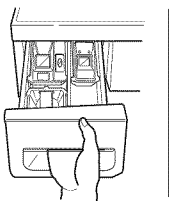
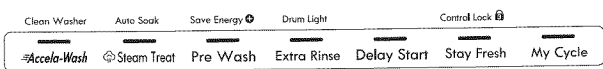
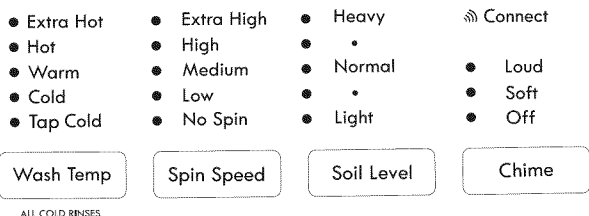
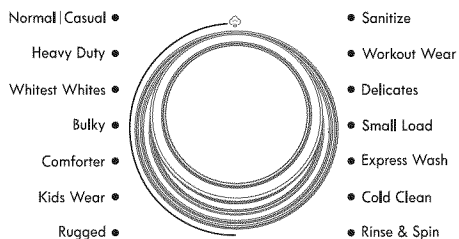
G STEAM TREAT BUTTON

Select the STEAM TREAT button to add steam to the selected cycle for added cleaning power.

NOTE: The steam option is not available on all cycles.

NOTE: To protect your clothing, not all settings are available on all cycle selections.

OPERATING THE WASHER



1 SORT LAUNDRY AND LOAD WASHER

Sort laundry by fabric type, soil level, color and load size, as needed. Open the door and load selected items into the washer.

2 TURN ON THE WASHER

Press the POWER button to turn ON the washer. The lights around the cycle selector knob will illuminate and a chime will sound.

3 SELECT A CYCLE

Turn the cycle selector knob in either direction to select the desired cycle. The preset Wash Temperature, Spin Speed, Soil Level, and Option settings for that cycle will be shown.

4 SELECT CYCLE MODIFIERS

Default settings for the selected cycle can now be changed if desired. Use the cycle modifier buttons.

NOTE: To protect your fabrics, not all modifiers are available on all cycles.

5 SELECT CYCLE OPTIONS

Cycle options can be added using the option buttons.

NOTE: To protect your fabrics, not all modifiers are available on all cycles. Cycle options can also be added by using the option buttons.

NOTE: Not all options are available on all cycles. A different chime will sound and the LED will not come on if the selection is not allowed.

6 ADD DETERGENT

Add High-Efficiency (HE) detergent to the detergent dispenser drawer. For proper wash performance, always measure the detergent using the measure provided by the detergent manufacturer.

7 BEGIN CYCLE

Press the START/PAUSE button to begin the cycle. The door will lock, and the washer will briefly tumble the load without Water to measure its weight. Once the weight of the load is measured, the washer will begin the selected wash cycle.

Pressing the START/PAUSE button will pause the cycle and the door will unlock. Press the START/PAUSE button again to resume the wash cycle.

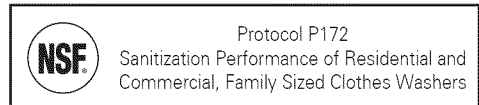
CYCLE GUIDE

The cycle guide below shows the default settings, available options and recommended fabric types for each cycle. Allowable modifier adjustments are shown below the default setting for each cycle.

● = Available Option
 = Default Setting

Cycle	Fabric or Load Type	Display Time (Min.)	Load Sensing	Wash Option	Wash Temp.	Spin Speed	Soil Level	Accela-Wash	Steam Treat	Pre-wash	Extra Rinse	Delay Start	Stay Fresh	Auto Soak	Save Energy+	
Normal/Casual	Cotton, linen, towels, shirts, sheets, jeans, mixed loads.	26-53	Yes	Yes	Warm	High	Normal	●	●	●	●	●	●	●	●	
					Extra Hot Hot Cold Tap Cold	Extra High Medium Low	Heavy Light									
Heavy Duty	Heavily soiled cotton fabrics.	74-131	Yes	Yes	Warm	Extra High	Heavy	●	●	●	●	●	●	●	●	●
					Hot Cold Tap Cold	High Medium Low	Normal Light									
Whitest Whites	Heavily to normally soiled white cottons.	66-76	Yes	Yes	Hot	High	Normal	●	●	●	●	●	●	●	●	●
					Warm Cold Tap Cold	Extra High Medium Low No Spin	Heavy Light									
Bulky	Large items such as blankets and comforters.	56	No	Yes	Warm	Medium	Normal	●	●	●	●	●	●	●	●	●
					Hot Cold Tap Cold	Low No Spin	Heavy Light									
Comforter	Comforters, blankets, rugs.	56	Yes	Yes	Warm	High	Normal	●	●	●	●	●	●	●	●	●
					Hot Cold Tap Cold	Medium Low No Spin	Heavy Light									
Kids Wear	Specially designed to clean and thoroughly rinse kids wear.	86-96	Yes	Yes	Hot	High	Heavy	●	●	●	●	●	●	●	●	●
					Warm Cold Tap Cold	Extra High Medium Low No Spin	Normal Light									
Rugged	Heavily soiled hard and thick items such as jeans and construction work wear.	99-132	Yes	Yes		High		●	●	●	●	●	●	●	●	●
						Extra High Medium Low No Spin										

***CERTIFIED BY NSF:** NSF International (formerly the National Sanitation Foundation), certifies that this wash cycle reduces 99.9% of bacteria on laundry through high temperature, when used with powdered detergent.



NOTE:

- To protect your garments, not every wash temperature, spin speed, soil level, or option is available with every cycle. A chime will sound and the LED will not light if the selection is not allowed.
- The washer automatically adjusts the wash time for the amount of laundry, water pressure, water heating time and other operating conditions.
- These cycles use various wash motions to enhance cleaning and/or fabric care performance. The wash motions may sound different at different stages of the wash cycle. This is normal.
- The recommended load size for the Sanitize cycle is 10 lbs.
- When the Accela-wash option is selected, the drum spins to rinse the clothes. To use the No Spin option, you must deselect the Accela-wash option.

CYCLE GUIDE (continued)

The cycle guide below shows the default settings, available options and recommended fabric types for each cycle. Allowable modifier adjustments are shown below the default setting for each cycle.

● = Available Option
 ■ = Default Setting

Cycle	Fabric or Load Type	Display Time (Min.)	Load Sensing	Wash Option	Wash Temp.	Spin Speed	Soil Level	Accela-Wash	Steam Treat	Pre-wash	Extra Rinse	Delay Start	Stay Fresh	Auto Soak	Save Energy+
Sanitize	Heavily soiled items such as work clothes, diapers, etc.	110-120	Yes	Yes	Extra Hot	High	Normal	●	●	●	●	●	●	●	●
						Extra High Medium Low No Spin	Heavy Light								
Workout Wear	Permanent press, synthetic items.	57	No	Yes	Warm	Medium	Normal				●	●	●	●	
					Cold Tap Cold	Low No Spin	Heavy Light								
Delicates	Dress shirts, blouses, nylons, sheer or lacy garments.	41	No	Yes	Cold	Medium	Normal			●	●	●	●	●	
					Warm Tap Cold	Low No Spin	Heavy Light								
Small Load	Normally soiled and small loads.	45	Yes	Yes	Warm	High	Normal			●	●	●	●		
					Hot Cold Tap Cold	Extra High Medium Low No Spin	Heavy Light								
Express Wash	Lightly soiled clothing and small loads.	15	No	Yes	Hot	Extra High	Light	●			●	●	●		
					Warm Cold Tap Cold	High Medium Low No Spin	Normal Heavy								
Cold Clean	Small loads of cotton, linen, towels, shirts, sheets, jeans, mixed loads.	73-82	Yes	Yes	Cold	High	Normal			●	●	●	●	●	
					Tap Cold	Extra High Medium Low No Spin	Light								
Rinse & Spin	Loads that only need to be rinsed.	18	No	No	Cold	High	N/A				●	●	●		
						Extra High Medium Low No Spin									

NOTE:

- To protect your garments, not every wash temperature, spin speed, soil level, or option is available with every cycle. A chime will sound and the LED will not light if the selection is not allowed.
- The washer automatically adjusts the wash time for the amount of laundry, water pressure, water heating time and other operating conditions.
- These cycles use various wash motions to enhance cleaning and/or fabric care performance. The wash motions may sound different at different stages of the wash cycle. This is normal.
- The recommended load size for the Sanitize cycle is 10 lbs.
- When the Accela-wash option is selected, the drum spins to rinse the clothes. To use the No Spin option, you must deselect the Accela-wash option.


SORTING WASH LOADS

Fabric Care Labels


Many articles of clothing include a fabric care label. Using the chart below, adjust the cycle and option selections to care for your clothing according to the manufacturer's recommendations.

Fabric Care Labels


Machine wash cycle



Normal




Permanent press/
wrinkle resistant




Gentle/
delicate

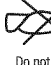
Hand wash



Hand wash




Do not wash




Do not wring


Water temperature



Hot




Warm




Cold/cool


Bleach symbols



Any bleach
(when needed)



Only non-chlorine bleach
(when needed)



Do not bleach

Grouping Similar Items

For the best washing results, and to reduce the possibility of damage to clothing, care should be taken to sort the clothing into loads that are made up of similar items. Mixing different fabric types and/or soil levels can result in poor wash performance, color transfer or discoloration, fabric damage or linting. Fabrics should be sorted into groups as described below.

Colors

Sort articles by color. Wash dark clothes together in a separate load from light colors or whites. Mixing dark clothes with light clothes can result in dye transfer or discoloration of the lighter clothes.

Soil Level

Wash heavily soiled clothing together. Washing lightly soiled clothing in the same load with heavily soiled clothing could result in poor wash performance for the lightly soiled clothing.

Fabric Type

Delicate articles should not be mixed with heavier or sturdier fabric types. Washing delicates in a load with heavy fabrics can result in damage to the more delicate fabrics. Washing heavier fabrics in a delicate load can result in poor wash performance for the heavier fabrics and possible damage to the delicates.

Lint Type

Some fabrics attract and bind lint to them while others give off lint in the laundry process. Avoid mixing these lint collectors and lint producers in the same load. Mixing these fabrics will result in pilling and linting on the lint collectors. (For example, lint collector – knit sweater; lint producer – terrycloth towels.)

Loading the Washer

- Check all pockets to make sure that they are empty. Items such as clips, matches, pens, coins, and keys can damage both your washer and your clothes.
- Close zippers, hooks, and drawstrings to prevent these items from snagging or tangling on other clothes.
- Pretreat heavily stained areas for best results.
- Combine large and small items in a load. Load large items first.
- Large items should not be more than half of the total wash load.
- The drum should not be tightly packed with items. The door of the washer should close easily.
- To prevent an out-of-balance load, do not wash single items. Add one or two similar items to the load. Large, bulky items, such as a blanket, comforter, or bedspread, should be washed individually.
- Do not wash or spin waterproof items, such as rain coats, sleeping bags, etc.
- When unloading the washer, check under the door seal for small items.

NOTE: Make sure that the door seal area is clear when closing the door. Overloading the washer can cause items to get caught between the door and the seal. This can damage both the items and the seal.



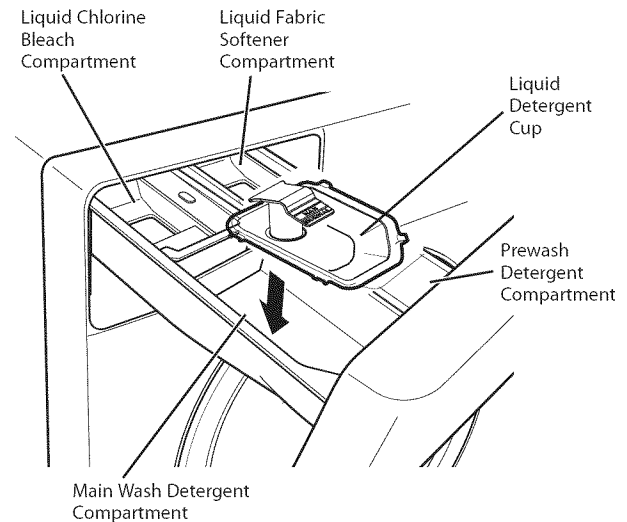
- **DO NOT OVERLOAD THE DRUM**
- **MAKE SURE CLOTHING IS NOT CAUGHT IN THE DOOR GASKET**

Sort Laundry...			
by Colors	by Soil	by Fabric	by Lint
Whites	Heavy	Delicates	Lint Producer
Lights	Normal	Easy Care	Lint Collector
Darks	Light	Sturdy	

ABOUT THE DISPENSER DRAWER

The automatic dispenser consists of four compartments which hold:

- Liquid chlorine bleach.
- Liquid fabric softener.
- Liquid or powdered detergent for prewash.
- Liquid or powdered detergent and color-safe bleach for main wash.



Pre-Wash Detergent Compartment

Add liquid or powdered detergent to this compartment when using the Pre-Wash option. Always use High-Efficiency (HE) detergent with your washing machine.

The amount of detergent added for the Pre-Wash option should be $\frac{1}{2}$ the amount recommended for the main wash cycle. For example, if the main wash cycle requires $\frac{1}{2}$ measure of detergent, add $\frac{1}{4}$ measure to the Pre-Wash compartment.

NOTE: If using liquid detergent for the main wash when using the Pre-Wash option, the liquid detergent cup accessory must be used in the main wash dispenser. This will prevent the main wash liquid detergent from being dispensed immediately.

Main Wash Detergent Compartment

This compartment holds laundry detergent for the main wash cycle. The detergent is added to the load at the beginning of the cycle. Always use High-Efficiency (HE) detergent with your washing machine. Either powdered or liquid detergent may be used.

Never exceed the manufacturer's recommendations when adding detergent. Using too much detergent can result in detergent buildup in clothing and the washer.

NOTE: Liquid or powdered color-safe bleach may be added to the main wash compartment with detergent of the same type. **DO NOT** add liquid or powdered color-safe bleach to the bleach dispenser. **DO NOT** mix liquid and powdered cleaning agents within the same compartment.

Liquid Bleach Compartment

This compartment holds liquid chlorine bleach, which is dispensed automatically at the proper time during the wash cycle.

- Do not add powdered or liquid color-safe bleach to this compartment. The bleach compartment is designed to dispense liquid chlorine bleach only. Powdered or liquid color-safe bleach will not dispense properly.
- Always follow the manufacturer's recommendations when adding bleach. Do not exceed the maximum fill line since this can cause the bleach to be dispensed immediately, causing damage to fabrics. Using too much bleach can damage fabrics.
- Never pour undiluted liquid chlorine bleach directly onto the load or into the drum. Fabric damage can occur.

Fabric Softener Compartment

This compartment holds liquid fabric softener, which is automatically dispensed during the final rinse cycle.

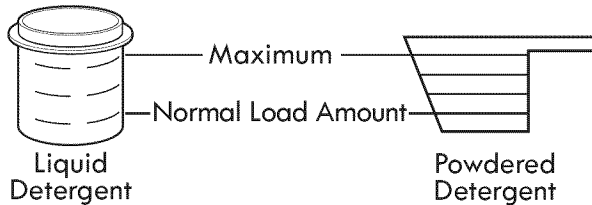
Never exceed the manufacturer's recommendations when adding softener. Using too much fabric softener can result in buildup in clothing and the washer. Either powdered or liquid fabric softener may be used.

- Always follow the manufacturer's recommendations when adding fabric softener. Do not exceed the maximum fill line. Using too much fabric softener may stain clothes.
- Dilute concentrated fabric softeners with warm water. Do not exceed the maximum fill line.
- Never pour fabric softener directly onto the load or into the drum.

DETERGENT AND DISPENSER USE

A Word About Detergents

High-Efficiency (HE) detergents produce fewer suds, dissolve more efficiently to improve washing and rinsing performance, and help to keep the interior of your washer clean. Using detergent that is not HE may cause oversudsing and unsatisfactory performance which could result in error codes, cycle failure, and machine damage.



For proper wash performance, always measure the detergent using the measurements provided by the detergent manufacturer.

The normal amount of HE detergent needed, for average loads, is less than $\frac{1}{2}$ of the recommended maximum. **Use less detergent** for soft water, light soil or smaller loads. **Never** use more than the maximum amount recommended by the detergent manufacturer.



Designed to use only High-Efficiency (HE) detergent

IMPORTANT: Your washing machine is designed for use with only High-Efficiency (HE) detergents. HE detergents are formulated specifically for front-load washers and contain suds-reducing agents. Always look for the HE symbol when purchasing detergent.

IMPORTANT: Not all detergents are the same. Pay careful attention to the amount of detergent used to avoid oversudsing, poor rinsing and detergent buildup in clothing, and residue buildup that can contribute to odors in the machine. **NEVER** use a cup or scoop other than the one supplied by the manufacturer of the detergent you are using. Never use more than the maximum amount of detergent recommended by the manufacturer.

Always measure the detergent amount. While HE detergents are designed for this type of washing machine, be careful when measuring the detergent. For most normal loads, no more than $\frac{1}{4}$ to $\frac{1}{2}$ of cap or scoop of HE detergent should be used.

NOTE: Extra care must be exercised when using **2X** and **3X** concentrated detergents because even a little bit extra can contribute to the problems mentioned above.

NOTE: Detergents designated as HE compatible may not provide optimal results.

Filling the Dispenser

To add detergent, bleach, and fabric softener to the automatic dispenser:

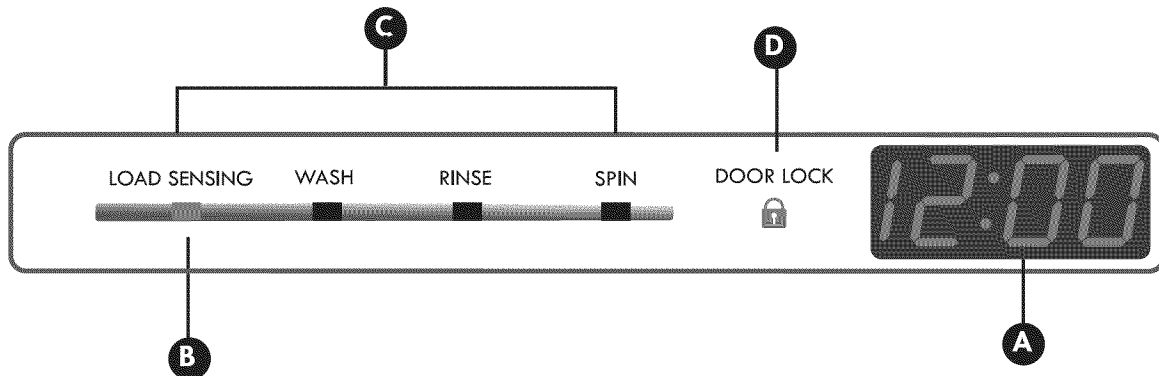
- 1 Open the dispenser drawer.
- 2 Load the laundry products into the appropriate compartments.
- 3 Close the drawer before starting the cycle.

NOTE: It is normal for a small amount of water to remain in the bleach and softener compartments at the end of the cycle.

IMPORTANT: Do not place or store laundry products, such as detergent, bleach, or liquid fabric softener, on top of your washer or dryer. Wipe up any spills immediately. These products can damage the finish and controls.

TIME AND STATUS DISPLAY

The time and status display shows the estimated time remaining, cycle progress, and door lock status.



A ESTIMATED TIME REMAINING

When the START/PAUSE button is pressed, the washer will automatically detect the load size for cycles that use load sensing. The control will then optimize the wash and rinse times, based on the selected cycle, modifiers and options. When the load size has been determined, the display will change from dashes (- - -) to the estimated time for that cycle. For non-load sensing cycles, the estimated time will display when the cycle is selected.

NOTE:

- The time shown is only an estimate. For example, the time displayed may pause for a period of time while the machine is heating the water or balancing the load. Under certain conditions, the machine can pause for extended periods of time.
- Estimated time is based on normal operating conditions. Several external factors (load size, room temperature, incoming water temperature, etc.) also affect the length of estimated time vs. actual time.

B LOAD-SENSING INDICATOR

At the beginning of cycles that use the load sensing feature, the LOAD SENSING light will blink while the load size is being measured. Once the size has been determined, the control adjusts the cycle for optimum performance. Estimated time remaining will not display until the load size has been determined, and may be different for each load.

C CYCLE STATUS INDICATOR

These status LEDs illuminate to indicate which stage of the cycle is currently running. A blinking light indicates the active stage of the cycle. When that stage is complete, the light will remain steady.

D DOOR LOCK INDICATOR

Indicates that the door is locked. The washer door will lock while the washer is operating. The door can be unlocked by pressing START/PAUSE to pause the washer.

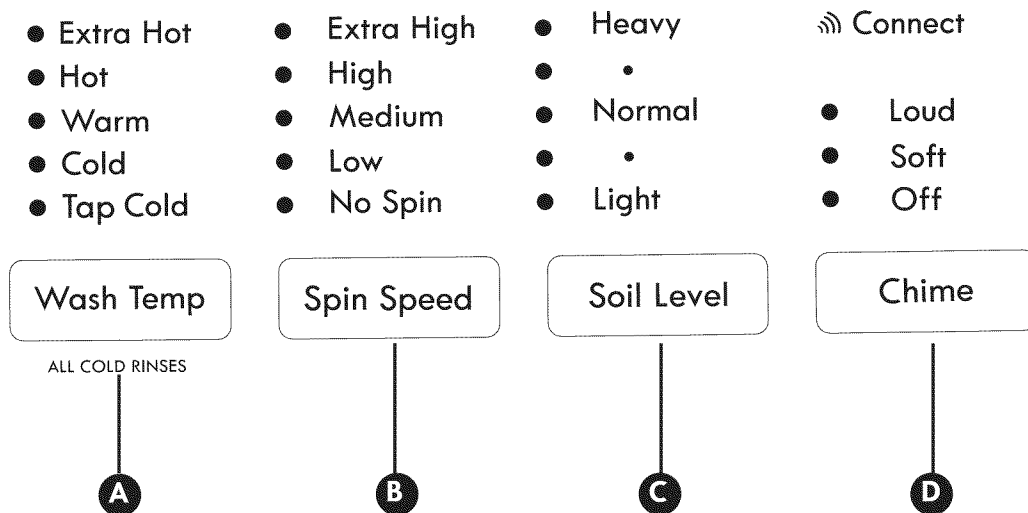
NOTE:

- If the temperature in the washer is too high, the door cannot be unlocked until the washer has cooled.
- If the water level is too high, the door will not unlock. To drain the water, press POWER, then press the SPIN SPEED button without selecting a cycle. Press START/PAUSE and the water will drain and the clothes will spin out. Do not try to force the door open, as this will damage the door.

CYCLE MODIFIER BUTTONS

Each cycle has default settings that are selected automatically. You may also customize these settings using the cycle modifier buttons. Press the button for the desired modifier until the indicator light for the desired value is lit. The washer automatically adjusts the water level for the type and size of wash load for best results and maximum efficiency. Due to the high-efficiency nature of this product, water levels may be much lower than expected. This is normal operation and cleaning/rinsing performance will not be compromised.

NOTE: To protect your garments, not every wash temperature, spin speed, soil level, or option is available with every cycle. A chime will sound and the LED will not light if a selection is not allowed.



A WASH TEMP

Wash Temp selects the wash and rinse temperature combination for the selected cycle. Press the Wash Temp button until the indicator light for the desired setting is lit.

- Your washer features a heating element to boost the hot water temperature for Extra Hot settings. This provides improved wash performance at normal water heater settings.
- Select the water temperature suitable for the type of load you are washing. Follow the garment fabric care labels for best results.
- Cold rinses use less energy. The actual rinse temperature depends on the temperature of the cold water at the faucet.
- Cold water is used for all rinse cycles.

B SPIN SPEED

Higher spin speeds extract more water from clothes, reducing drying time and saving energy.

Press the SPIN SPEED button until the desired speed is selected. Some fabrics, such as delicates, require a slower spin speed. To protect your clothing, not all spin speeds are available for all cycles.

The Drain & Spin cycle:

1. Press the POWER button to turn ON the washer.
2. Press the SPIN SPEED button to select the desired spin speed. For drain only, select the NO SPIN option.
3. Press the START/PAUSE button. The water will drain and the clothes will tumble before the spin routine begins.

C SOIL LEVEL

Adjusting the soil level setting will modify the cycle to allow more time for heavily soiled clothes or less time for lightly soiled clothes. Press the SOIL LEVEL button until the desired soil level is selected.

D CHIME

Press repeatedly to adjust the volume of the chime and keypad tones. You may turn the end-of-cycle chime and keypad tones ON or OFF with the CHIME button.

STEAM CYCLES AND OPTIONS

Your washing machine features several additional cycle options that customize cycles to meet your individual needs.

- 1 Turn ON the washer and turn the cycle selector knob to select the desired cycle.
- 2 Use the cycle modifier buttons to adjust the settings for that cycle.
- 3 Press the cycle option button(s) for the option(s) you would like to add. The button will light when that option is selected. For secondary functions, press and hold the button for three seconds. The LED will blink when the secondary option is selected. Both options cannot be selected together.
- 4 If the selected option is not allowed for the selected cycle, the chime will sound twice to alert you and the LED will not illuminate.
- 5 Press the START/PAUSE button to start the cycle. After a brief delay, the door will lock and the cycle will begin.

NOTE: To protect your garments, not every option is available with every cycle.

NOTE: If the START/PAUSE button is not pressed within four minutes, the control will shut off and the settings will be lost.

STEAM TREAT



Select the STEAM TREAT button to add steam to the selected cycle for added cleaning power. Adding steam to cycles helps provide improved cleaning performance. By creating steam, fabrics get the benefit of a deep clean. The steam option is not available on all cycles.

To add steam to a cycle:

- 1 Turn ON the washer and turn the cycle selector knob to select a cycle that allows the steam option. Refer to the Cycle Guide to see which cycles allow steam.
- 2 Press the STEAM TREAT button. The washer will automatically adjust the cycle settings.
- 3 Set any other desired options.
- 4 Press the START/PAUSE button to start the cycle.

NOTE:

The door may be very warm during steam cycles. This is normal.

Do not attempt to override the door lock mechanism or reach into the washer during a steam cycle. Steam can cause severe burns.

IMPORTANT NOTES ABOUT STEAM CYCLES:

- Steam may not be visible during the steam cycles. This is normal.
- Do not use steam with delicate fabrics such as wool, silk, or easily discolored fabrics.

DELAY START



Once you have selected the cycle and other settings, press this button to delay the start of the wash cycle. Each press of the button increases the delay time by one hour, for up to 19 hours. Once the desired delay time is set, press the START/PAUSE button to start the delay time.

EXTRA RINSE



This option will add an extra rinse to the selected cycle. Use this option to help ensure the removal of detergent or bleach residue from fabrics.

ACCELA-WASH



The Accela-Wash option uses a twin spray water and detergent injection which reduces cycle time while maintaining wash performance in a normal cycle.

DRUM LIGHT



The drum is equipped with a blue LED light that illuminates when the washer is turned on. This light automatically turns off when the door is closed and the cycle starts.

To turn on the light during a cycle, press and hold the EXTRA RINSE button for three seconds. The drum light will illuminate and then turn off automatically after four minutes.

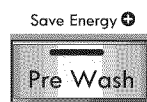
NOTE: Clothes may appear to be yellow in the washer while the drum light is on. This effect is caused by the reflection of the light.

STAY FRESH



This feature helps keep wrinkles from setting in clothes and helps keep them fresh if they are not removed from the washer as soon as the cycle is complete. Press the STAY FRESH button to tumble the clothes intermittently and circulate fresh air through the drum for up to eight hours. Press the POWER button or the START/PAUSE button to remove clothes at any time.

PRE WASH



Select this option to add a 15-minute prewash, rinse and spin cycle to the chosen cycle. This is especially useful for heavily soiled items.

SPECIAL FUNCTIONS

CONTROL LOCK



Use this option to disable the controls. The washer can only be locked during a cycle. This feature can prevent children from changing cycles or operating the machine. Once set, the controls remain locked and must be turned OFF before the controls can be used again. Once the washer has shut off, the power button will allow the machine to be turned ON, but the controls will still be locked. When the controls are locked, "CL" will display alternately with the estimated time remaining.

Press and hold the STAY FRESH button for three seconds to activate or deactivate the controls.

CLEAN WASHER CYCLE



Detergent residue can build up in the wash drum over time and can lead to a mildewy or musty smell. The CLEAN WASHER cycle is specially designed to remove this buildup using bleach or another cleaner designed specifically for cleaning front load washers. Run the CLEAN WASHER cycle once a month, or more often under heavy use conditions or if odor is present. See complete instructions in the CARE AND CLEANING section.

- 1 Turn ON the washer and press and hold the ACCELA-WASH button for five seconds. Selecting any other cycle after CLEAN WASHER has been selected will cause the CLEAN WASHER cycle to be cancelled.
 - 2 Fill the bleach dispenser to the MAX line with liquid chlorine bleach. Do not overfill the bleach dispenser. Overfilling will cause the bleach to dispense immediately.
- NOTE:** For other drum cleaning products, follow the cleaner manufacturer's instructions and recommendations. For powdered cleaning products, add the cleaner to the main wash compartment of the dispenser drawer. Place tablet cleaners directly into the drum.
- 3 Press the START/PAUSE button to start the cycle.
 - 4 After the cycle has ended, secure the door slightly ajar with the door magnet. This will promote air circulation and allow the interior of the machine to dry. To use this feature, close the door just until it contacts the door magnet.

NOTE: Do NOT use this cycle with clothes, and do NOT add detergent or fabric softener.

MY CYCLE



MY CYCLE allows you to store a customized wash cycle for future use. It allows you to save favorite temperature, spin speed, soil level, and other options for a cycle, and then recall them at the touch of a button.

NOTE: You can only save a setting for one cycle at a time. Pressing and holding the MY CYCLE button will overwrite any previously saved cycle.

To save a MY CYCLE:

- 1 Press the POWER button to turn on the washer.
- 2 Turn the cycle selector knob to select the desired cycle.
- 3 Press the CYCLE MODIFIER button to adjust the cycle as desired.
- 4 Press the CYCLE OPTION button to add the desired options.
- 5 Press and hold the MY CYCLE button for three seconds.

To recall a MY CYCLE:

- 1 Press the POWER button to turn on the washer.
- 2 Press the MY CYCLE button. The stored settings will be displayed.
- 3 Press the START/PAUSE button to start the cycle.

NOTE: MY CYCLE can be adjusted the same as any other cycle. However, once any other button is pressed, the LED will turn off indicating that the settings are no longer those of your saved cycle. Press and hold the MY CYCLE button for five seconds to overwrite the previous MY CYCLE settings and replace them with the current settings.

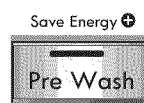
AUTO SOAK



Use the AUTO SOAK option to presoak garments to help remove difficult spots or stains on fabric. This option provides a 30 minute presoak prior to the start of the selected cycle. At the end of the presoak time, the selected cycle will use the same water.

To use the AUTO SOAK feature, press and hold the STEAM TREAT button for five seconds.

SAVE ENERGY



This option saves energy by using cooler water while increasing the wash and rinse times to maintain wash performance. This feature is only available with the NORMAL/CASUAL and HEAVY DUTY cycles as listed below.

To use the Save Energy option, press and hold the Pre Wash button for three seconds.

- NORMAL – Hot becomes Warm
- NORMAL – Warm becomes Cold
- HEAVY DUTY – Hot becomes Warm

⚠ WARNING: To reduce the risk of fire, electric shock, or injury to persons, read and follow this entire Use & Care Guide, including the Important Safety Instructions, before operating this washer.

- **Unplug the washer before cleaning to avoid the risk of electric shock.** Failure to follow this warning can cause serious injury, fire, electric shock, or death.
- **Never use harsh chemicals, abrasive cleaners, or solvents to clean the washer.** They will damage the finish.

REGULAR CLEANING

Cleaning the Exterior

Proper care of your washer can extend its life. The outside of the machine can be cleaned with warm water and a mild, nonabrasive household detergent.

Immediately wipe off any spills with a soft, damp cloth.

IMPORTANT: Do not use solvents, cleaning alcohols, or similar products. Never use steel wool or abrasive cleaners because they can damage the surface.

Care and Cleaning of the Interior

Use a towel or soft cloth to wipe around the washer door opening, door seal, and door glass. These areas should be kept clean to ensure a watertight seal. Be sure to wipe under the inside rubber seal to remove any moisture or soil. Always remove items from the washer as soon as the cycle is complete. Leaving damp items in the washer can cause wrinkling, color transfer, and odor. Run the CLEAN WASHER cycle once a month, or more often if needed, to remove detergent buildup and other residue.

Clean Washer

- 1 Remove any clothing in the drum.
- 2 Open the dispenser drawer.
- 3 Add liquid chlorine bleach or another drum cleaner designed specifically for cleaning front load washers.
 - **If using liquid chlorine bleach**
Add liquid chlorine bleach to the bleach compartment of the drawer. (NOTE : Do not exceed the maximum fill line and do not pour undiluted liquid bleach directly into the wash drum.)
 - **If using powder cleaner**
Remove the liquid detergent cup and add powder cleaner to the main wash compartment of the dispenser drawer.
 - **If using tablet cleaner**
Add tablet cleaner directly to the wash drum.

NOTE:

- Do not add tablet cleaner to the dispenser drawer.
- Do not add any laundry detergent or fabric softener to the drawer when using CLEAN WASHER.

4 Turn ON the washer and press and hold the ACCELA-WASH button for three seconds, and the LED will blink. Selecting any other cycle after CLEAN WASHER has been selected will cause the CLEAN WASHER cycle to be cancelled.

5 After the cycle ends, open the door and allow the drum interior to dry completely.

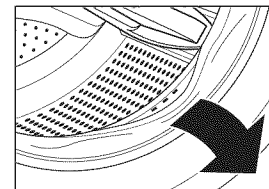
NOTE: Run the CLEAN WASHER cycle once a month. If a mildewy or musty smell is present, run the CLEAN WASHER cycle once a week for three consecutive weeks.

Door Seal and Glass Cleaning

Due to the location and nature of the door seal, some detergent and soil residue may build up on the door glass and seal. Periodic cleaning with a bleach solution can help remove buildup and stains, and can help sanitize the seal to prevent odors.

NOTE: Wear rubber gloves and eye protection while performing the following procedure:

- 1 Dilute $\frac{3}{4}$ cup (177 ml) liquid chlorine bleach in 1 gallon (3.8 L) of warm/hot water.
- 2 Use this solution to wipe down all surfaces of the gasket and door glass to remove any deposits. Be sure to fold back the lip of the gasket to get under the inner edge where residue can build up.



- 3 Dry the gasket and glass with a dry cloth.
- 4 To allow the gasket to dry completely, secure the door slightly ajar with the door magnet. This will promote air circulation and allow the interior of the machine to dry. To use this feature, close the door just until it contacts the door magnet.

NOTE:

- Follow the manufacturer's instructions for proper use of bleach.
- To avoid damaging the gasket, NEVER use undiluted bleach to clean the gasket.

Removing Mineral Buildup

If you live in an area with hard water, mineral scale can form on internal components of the washer. Use of a water softener is recommended in areas with hard water.

Use a descaler, such as Washer Magic®, to remove visible mineral buildup. After descaling, always run the CLEAN WASHER cycle before washing clothing. Do NOT use steel wool or abrasive cleaners.

REGULAR CLEANING (continued)

Storing the Washer

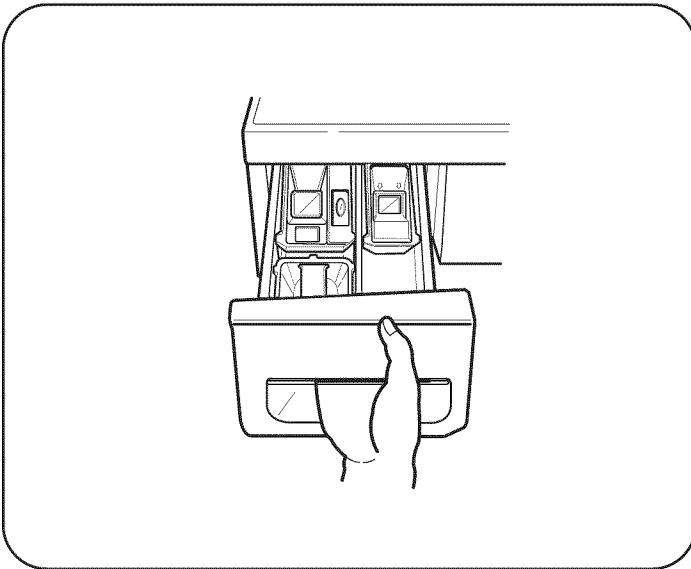
If the washer will not be used for an extended period of time and is in an area that could be exposed to freezing temperatures, perform the following steps to protect the washer from damage.

- 1 Turn OFF the water supply.
- 2 Disconnect hoses from water supply and drain water from hoses.
- 3 Plug the power cord into a properly grounded electrical outlet.
- 4 Add 1 gallon of nontoxic recreational vehicle (RV) antifreeze to the empty wash drum and close the door.

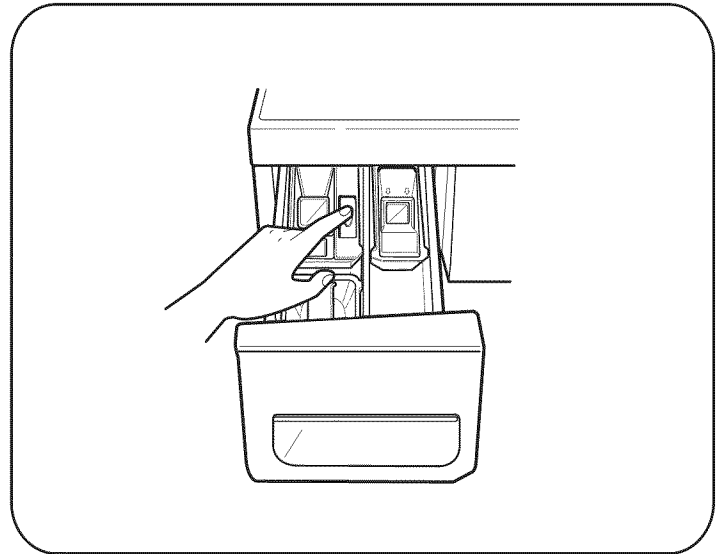
- 5 Press the POWER button, then press the SPIN SPEED button without selecting a cycle. Press the START/PAUSE button to activate the drain pump. This will expel some of the antifreeze, leaving enough to protect the washer from damage.
- 6 Unplug the power cord, dry the drum interior with a soft cloth, and close the door.
- 7 Refer to the instructions below to clean and dry the dispenser drawer.
- 8 Store the washer in an upright position.
- 9 To remove the antifreeze from the washer after storage, run the EXPRESS WASH cycle. Do not add laundry to this cycle.

Cleaning the Dispenser

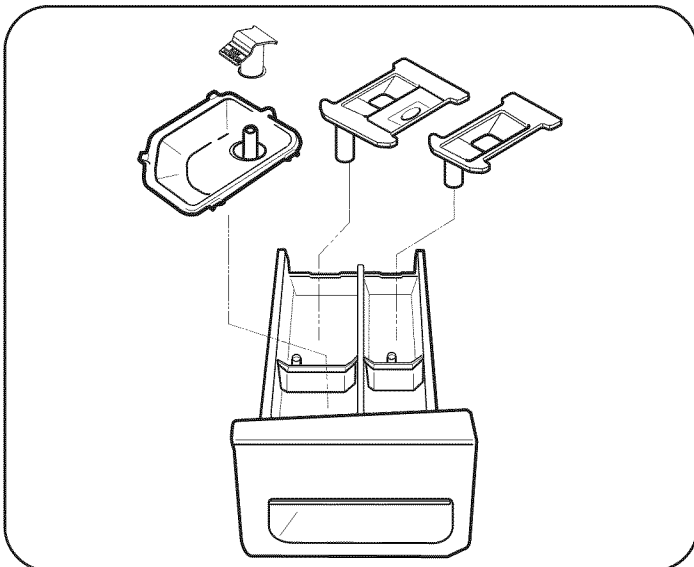
The dispenser should be cleaned periodically to remove buildup of detergent and other laundry products that can cause the dispenser not to dispense the laundry product properly.



- 1 Pull the dispenser drawer out until it stops.



- 2 Press down the lock tab located between the bleach and softener compartments and slide the drawer out.



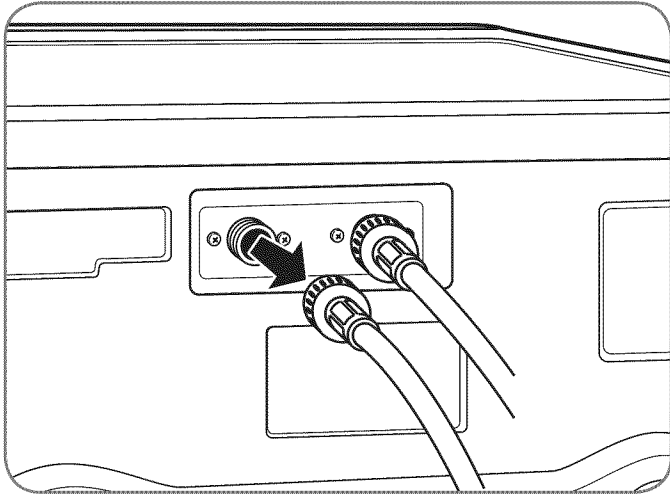
- 3 Remove the liquid detergent box, softener and bleach inserts from their compartments.
- 4 Clean the dispenser compartments and inserts with warm soapy water.

MAINTENANCE

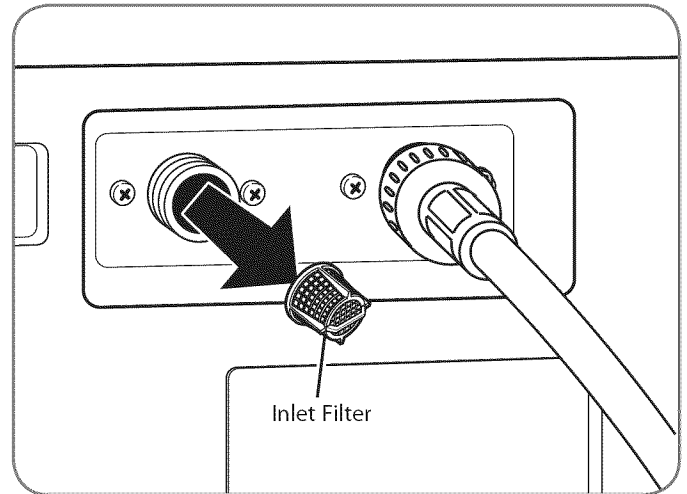
Cleaning the Water Inlet Filters

If the washer does not fill properly, an error message will show on the display. The inlet valve filter screens could be plugged by hard water scale, sediment in the water supply, or other debris.

NOTE: The inlet screens protect the delicate parts of the inlet valve from being damaged by particles that could enter the valves with the water supply. Operating the washer with these filters removed could cause a valve to fail to open, resulting in flooding and/or property damage.



- 1 Turn OFF both water faucets completely. Unscrew the hot and cold water lines from the back of the washer.

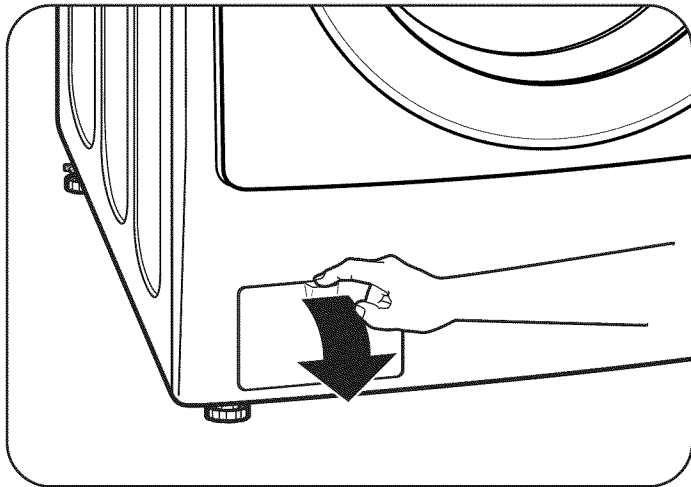


- 2 Carefully remove the filters from the water valves and soak them in white vinegar or a lime scale remover, following the manufacturer's instructions. Be careful not to damage the filters while cleaning.
- 3 Rinse thoroughly before reinstalling. Press the filters back into place.
- 4 Before reattaching the hoses, flush the hoses and water lines by running several gallons of water through the hoses and into a bucket or drain.

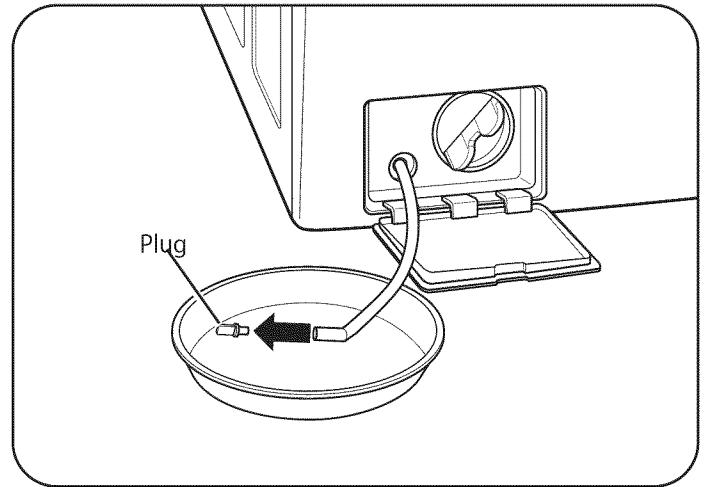
MAINTENANCE (continued)

Cleaning the Drain Pump Filter

Your Washer is equipped with a filter that helps prevent excess lint and foreign objects like buttons, keys, and coins from causing damage to the pump. If the washer fails to drain properly, unplug the washer and allow the water to cool, if necessary, before proceeding.

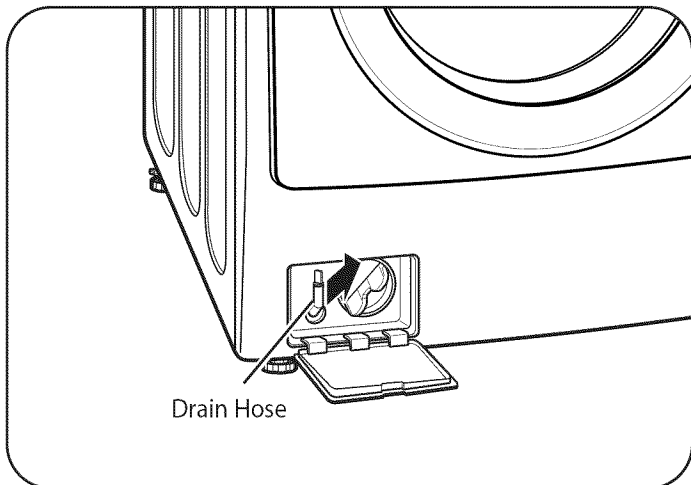


- 1** Open the drain pump filter access panel.

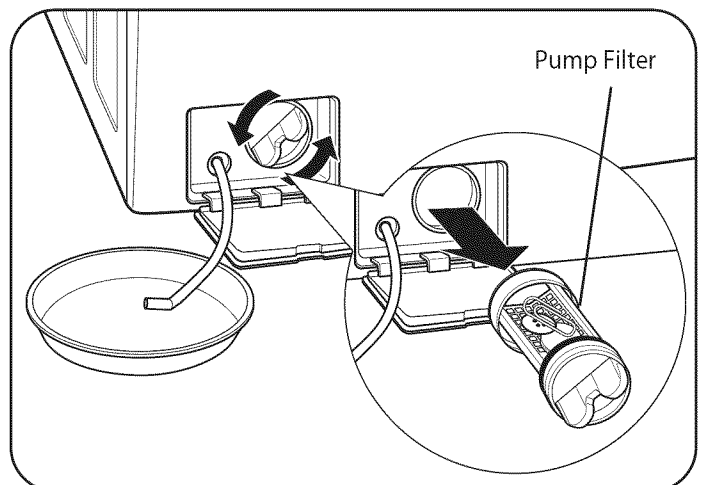


- 3** Remove the plug from the drain hose, and allow the water to drain completely.

NOTE: If there is a large amount of water in the drum, you may have to empty your container several times.



- 2** Unclip the drain hose and pull it out. Place the end of the drain hose into a shallow pan or a floor drain. Make sure not to pull the hose out too far, or it may not drain properly.



- 4** Twist the pump filter counterclockwise to remove. Remove any lint and foreign objects from the pump filter. Insert pump filter back into opening and twist clockwise to secure. Be sure to close the drain pump filter access panel.

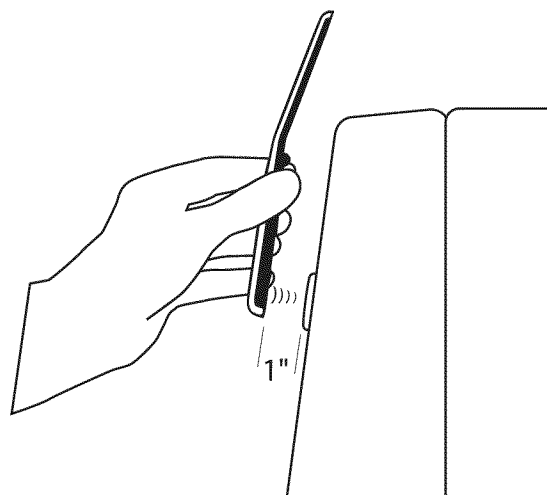
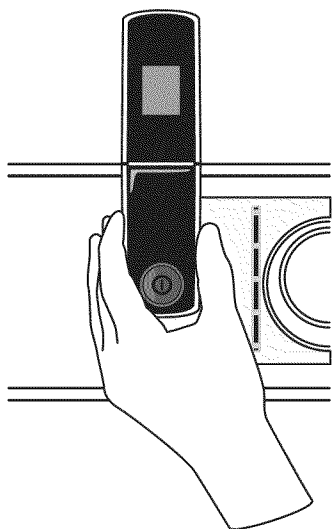
Should you experience any problems with your washing machine, it has the capability of transmitting data via your telephone to the Kenmore Connect Team. This gives you the capability of speaking directly to our specially trained technicians. The technician records the data transmitted from your machine and uses it to analyze the issue, providing a fast and effective diagnosis.

If you experience problems with your washer, call 1-800-4-MY-HOME®. Only use the Kenmore Connect System feature when instructed to do so by the Kenmore Connect Team. The transmission sounds that you will hear are normal and sound similar to a fax machine.

Kenmore Connect cannot be activated unless your washing machine is turned on by pressing the POWER button. If your washing machine is unable to turn on, then troubleshooting must be done without using Kenmore Connect.

Using the Kenmore Connect™ System

Follow the technician's instructions and perform the following steps when requested.



HOLD the mouthpiece of your phone over the POWER button, when instructed to do so by the call center, no more than one inch from (but not touching) the machine.

NOTE: Do not press any other buttons or turn the cycle selector knob.



PUSH and hold the WASH TEMP button while continuing to hold your phone to the POWER button.



LISTEN for three beeps. After you hear the three beeps, release the WASH TEMP button. A tone transmission will begin. Keep the phone in place until the tone transmission has finished. This takes about 6 seconds, and the display will count down the time. Once the countdown is over and the tones have stopped, resume your conversation with the technician, who will then be able to assist you in using the information transmitted for analysis.

NOTE:

- For best results, do not move the phone while the tones are being transmitted.
- If the call center agent is not able to get an accurate recording of the data, you may be asked to try again.
- Pressing the POWER button during the transmission will shut off Kenmore Connect.

NORMAL SOUNDS YOU MAY HEAR

The following sounds may be heard while the washer is operating. They are normal.

Clicking:

Door locking mechanism clicks when the door locks and unlocks.

Spraying or hissing:

Water spraying or circulating during the cycle.

Humming or gurgling:


Drain pump is pumping water from the washer at times during a cycle.

Splashing:

Clothes tumbling in the drum during the wash and rinse cycles.

BEFORE CALLING FOR SERVICE

If your washer does not function properly or does not function at all, check the following before you call for service.

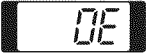
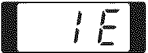
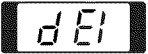

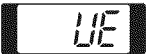
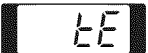
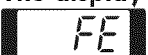
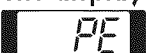
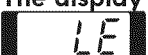
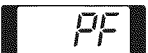
Problem	Possible Cause	Solutions
Rattling and clanking noise	Foreign objects, such as keys, coins, or safety pins, may be in drum or pump.	Stop washer, check drum and drain filter for foreign objects. If noise continues after washer is restarted, call for service.
Thumping sound	Heavy wash loads may produce a thumping sound. Washer load may be out of balance. Washing shoes or tightly tangled clothes.	This is normal. If sound continues, washer is probably out of balance. Stop and redistribute wash load. Pause the cycle and redistribute the load after the door unlocks.
Vibrating noise	Shipping bolts and/or packaging materials were not removed. Wash load may be unevenly distributed in the drum. Not all leveling feet are resting firmly and evenly on the floor. Floor not rigid enough.	See the UNPACKING AND REMOVING SHIPPING BOLTS section in the installation requirements. Pause the cycle and redistribute the load after the door unlocks. See Leveling the Washer in the Installation Instructions. Make sure that the floor is solid and does not flex. See Flooring in the Installation Requirements.
Water leaking around washer	Inlet hose connection is loose at tap or washer. House drain pipes are clogged. Drain hose has come out of drain. Drain hose is not inserted far enough. Door glass is dirty.	Check hoses. Check and tighten hose connections. Unclog drain pipe. Contact a plumber if necessary. Tie drain hose to inlet hose or standpipe to prevent it from coming out during drain. It should be inserted about 8-12 inches into the standpipe. Inspect door glass periodically to make sure there is no buildup of residue or other foreign matter. Follow cleaning instructions.
Excessive sudsing	Too much detergent or incorrect detergent.	 Only use detergent with the High-Efficiency (HE) logo. See Detergent Use in the How to Use section.

BEFORE CALLING FOR SERVICE (continued)

Problem	Possible Cause	Solutions
Staining	<p>Bleach or softener dispensed too soon.</p> <p>Bleach or softener was added directly to the wash load in the drum.</p> <p>Washer was not unloaded promptly.</p> <p>Clothes were not properly sorted.</p>	<p>Dispenser compartment is overfilled causing bleach or softener to dispense immediately.</p> <p>Dispenser drawer closed too quickly causing bleach or softener to dispense immediately.</p> <p>Laundry chemicals must be loaded into the dispenser.</p> <p>Always remove items from the washer as soon as possible after the cycle is complete.</p> <p>Always wash dark colors separately from light colors and whites to prevent discoloration.</p> <p>Never wash heavily soiled items with lightly soiled items.</p>
Washer will not turn ON	<p>Power cord is not properly plugged in.</p> <p>House fuse is blown, circuit breaker has tripped, or power outage has occurred.</p> <p>House fuse is blown, circuit breaker has tripped, due to multiple appliances on one outlet.</p>	<p>Make sure that the plug is plugged securely into a grounded, 3-prong, 120-VAC, 60-Hz outlet.</p> <p>Reset circuit breaker or replace fuse. Do not increase fuse capacity. If the problem is a circuit overload, have it corrected by a qualified electrician.</p> <p>Reset circuit breaker or replace fuse. If more than one appliance is connected to the outlet, call an electrician to have an additional circuit installed.</p>
Door will not unlock when cycle is stopped or paused	<p>Interior temperature of washer is too high.</p> <p>Water level in washer is too high.</p>	<p>The washer door has a safety feature to prevent personal injury. For example, if the washer is paused during the hot wash stage of a sanitize cycle, the interior temperature of the drum will be very hot, so the door will not unlock. This is normal. Allow the washer to cool until the DOOR LOCK indicator turns OFF on the display.</p> <p>To drain the water, press POWER, then press the SPIN SPEED button without selecting a cycle.</p>
Wash cycle time is longer than usual	<p>The washer automatically adjusts the wash time for the amount of laundry, water pressure, water heating time and other operating conditions.</p>	<p>This is normal. The washer adjusts cycle time automatically to provide optimal results for the selected cycle. The time remaining shown in the display is only an estimate. Actual time may vary.</p>
Musty or mildewy odor in washer	<p>Incorrect or too much detergent has been used.</p> <p>Inside of drum was not cleaned properly.</p>	<p>Use only High-Efficiency (HE) detergent in accordance with the manufacturer's instructions.</p> <p>Run the CLEAN WASHER cycle regularly. Be sure to wipe around and under the door seal frequently. See Care and Cleaning of the Interior.</p> <p>Clean around door seal/glass to prevent odor.</p>
Wrinkling	<p>Washer not unloaded promptly.</p> <p>Washer overloaded.</p> <p>Hot and cold water inlet hoses are reversed.</p>	<p>Always remove items from the washer as soon as the cycle is complete.</p> <p>When washing large loads, do not overstuff the drum. The washer can be fully loaded, but the drum should not be tightly packed and the door should close easily.</p> <p>Hot water rinse can set wrinkles in garments. Check the inlet hose connections.</p>

BEFORE CALLING FOR SERVICE (continued)

Your washing machine is equipped with an automatic error-monitoring system to detect and diagnose problems at an early stage.

Problem	Possible Cause	Solutions
<p>Water in the washer drains slowly or not at all, or the display shows:</p> 	<p>Drain hose is kinked, pinched, or clogged.</p> <p>The drain pump filter is clogged.</p> <p>Drain discharge is more than 96 inches above bottom of washer.</p>	<p>Make sure the drain hose is free of clogs, kinks, etc., and is not pinched behind or under the washer.</p> <p>Clean the drain pump filter. See Maintenance in the Care and Cleaning section.</p> <p>Adjust or repair drain. Maximum drain height is 96 inches.</p>
<p>Washer fills with water slowly or not at all, or the display shows:</p> 	<p>Water supply faucets are not open fully.</p> <p>Water line hoses are kinked, pinched, or crushed.</p> <p>Water inlet filters are clogged.</p> <p>Water supply pressure to faucet or house is too low.</p> <p>Water supply connected with leak-limiting hoses.</p>	<p>Make sure that the water faucets are fully open.</p> <p>Make sure the hoses are not kinked or pinched. Be careful when moving the washer during cleaning and maintenance</p> <p>Clean the inlet filters. See Maintenance in the Care and Cleaning section.</p> <p>Check another faucet in the house to make sure that household water pressure is adequate and flow is not restricted.</p> <p>Hoses designed to limit leaks can trip falsely and prevent the washer from filling. The use of leak limiting hoses is not recommended.</p>
<p>Cycle won't start, or the display shows:</p>  <p>or</p> 	<p>The door is not closed properly.</p>	<p>Make sure that the door is closed properly and press the START/PAUSE button. After starting a cycle, it may take a few moments before the drum begins to turn or spin. The washer will not operate unless the door is locked.</p> <p>If the door is closed and locked and the open door error message is displayed, call for service.</p>
<p>The display shows:</p> 	<p>Load is too small.</p> <p>Load is out of balance.</p>	<p>Add 1 or 2 similar items to help balance the load.</p> <p>The washer has an imbalance detection and correction system. If individual heavy articles are loaded (bath mat, bath robe, etc.) and the imbalance is too great, the washer will make several attempts to restart the spin cycle. If an imbalance is still detected, the washer will stop and the error code will display.</p>
<p>The display shows:</p> 	<p>Control error.</p>	<p>Unplug the washer and wait 60 seconds. Reconnect power and try again. If the error reappears, call for service.</p>
<p>The display shows:</p> 	<p>Water level is too high due to a faulty water valve.</p>	<p>Close the water faucets, unplug the washer, and call for service.</p>
<p>The display shows:</p> 	<p>The water level sensor is not working correctly.</p>	<p>Close the water faucets, unplug the washer, and call for service.</p>
<p>The display shows:</p> 	<p>A motor error has occurred.</p>	<p>Allow the washer to stand for 30 minutes and then restart the cycle. If the LE error code persists, call for service.</p>
<p>The display shows:</p> 	<p>A power failure has occurred.</p>	<p>If the power to the washer has been interrupted during a cycle, the PF error code will display the next time the washer is turned ON. This will alert you to the fact that the previous cycle may not have been completed. Select any cycle to clear the error code and use the washer.</p>



Kenmore One Year Limited Warranty

When installed, operated and maintained according to all supplied instructions, if this appliance fails due to a defect in material and workmanship within one year from the date of purchase, call 1-800-4-MY-HOME® to arrange for free repair.

If this appliance is ever used for other than private family purposes, this warranty applies for only 90 days from the date of purchase.

This warranty covers ONLY defects in material and workmanship, and will NOT pay for:

1. Expendable items that can wear out from normal use, including but not limited to filters, belts, incandescent light bulbs and bags.
2. A service technician to instruct the user in correct product installation, operation or maintenance.
3. A service technician to clean or maintain this product.
4. Damage to or failure of this product if it is not installed, operated or maintained according to all instructions supplied with the product.
5. Damage to or failure of this product resulting from accident, abuse, misuse or use for other than its intended purpose.
6. Damage to or failure of this product caused by the use of detergents, cleaners, chemicals or utensils other than those recommended in all instructions supplied with the product.
7. Damage to or failure of parts or systems resulting from unauthorized modifications made to this product.

Disclaimer of implied warranties; limitation of remedies

Customer's sole and exclusive remedy under this limited warranty shall be product repair as provided herein. Implied warranties, including warranties of merchantability or fitness for a particular purpose, are limited to one year or the shortest period allowed by law. Sears shall not be liable for incidental or consequential damages. Some states and provinces do not allow the exclusion or limitation of incidental or consequential damages, or limitation on the duration of implied warranties of merchantability or fitness, so these exclusions or limitations may not apply to you.

This warranty applies only while this appliance is used in the United States or Canada*.

This warranty gives you specific legal rights, and you may also have other rights which vary from state to state.

* In-home repair service is not available in all Canadian geographical areas, nor will this warranty cover user or servicer travel and transportation expenses if this product is located in a remote area (as defined by Sears Canada Inc.) where an authorized servicer is not available.

Sears Brands Management Corporation, Hoffman Estates, IL 60179
Sears Canada Inc., Toronto, Ontario, Canada M5B 2C3

INSTRUCCIONES IMPORTANTES SOBRE SEGURIDAD	34-36
REQUISITOS DE CONEXIÓN A TIERRA	36
FUNCIONES Y VENTAJAS	
Piezas y componentes claves	37
Accesorios incluidos	37
Accesorios opcionales	37
REQUISITOS DE INSTALACIÓN	
Dimensiones y especificaciones clave	38
Cómo elegir la ubicación más adecuada	38
Tipo de piso	38
Espacios de instalación	38
INSTRUCCIONES PARA LA INSTALACIÓN	
Desempaquetado y desembalaje de pernos de transporte ..	39
Conexión de las tuberías de agua	40
Conexión de la manguera de drenaje	41
Conexión del suministro eléctrico	41
Nivelación de la lavadora	42
Instalación de almohadillas antirresbalantes (opcional)	42
INSTRUCCIONES DE USO	
Funciones del panel de control	43
Manejo de la lavadora	44
Guía de ciclos	45-46
Clasificación de las cargas de lavado	47
Acerca del la gaveta del dispensador	48
Uso del detergente y dispensador	49
Pantalla de tiempo y estado	50
Botones modificadores de ciclo	51
Ciclos de vapor y botones de opción	52
Funciones especiales	53
CUIDADO Y LIMPIEZA	
Limpieza regular	54-55
Mantenimiento	56-57
Limpieza de los filtros de entrada de agua	56
Limpieza del filtro de bomba de drenaje	57
GUÍA DE SOLUCIÓN DE PROBLEMAS	
Sistema KENMORE CONNECT™	58
Sonidos normales que se pueden escuchar	59
Antes de solicitar asistencia técnica	59-61
GARANTÍA	62

REGISTRO DEL PRODUCTO

En el espacio de abajo, registre la fecha de la compra, el modelo y número de serie del producto. Usted encontrará el número de modelo y de serie impreso en una placa de identificación ubicada dentro de la puerta de la lavadora. Tenga esta información a mano siempre que se ponga en contacto con Sears en relación con su producto.

N.º de modelo _____

Fecha de compra _____

N.º de serie _____

Guarde estas instrucciones y su recibo de venta para referencia futura.

Acuerdos maestros de protección

Felicidades por haber realizado una compra inteligente. Su nuevo producto Kenmore® está diseñado y fabricado para brindar años de funcionamiento fiable. No obstante, al igual que cualquier otro producto, es posible que requiera un mantenimiento preventivo o alguna reparación cada cierto tiempo. Ahí es cuando contar con un Acuerdo maestro de protección puede ayudarle a ahorrar tiempo y dinero.

El acuerdo maestro de protección también lo ayuda a extender la vida útil de su nuevo producto. El Acuerdo* incluye los siguientes puntos:

- **Piezas y mano de obra** necesarias para mantener los productos en buen funcionamiento **bajo un uso normal**, no únicamente los defectos de fabricación. Nuestra cobertura va **mucho mas allá de la garantía del producto**. No hay ninguna falla funcional deducible que se excluya de la cobertura: **se trata de una protección real.**
- **Servicio experto** mediante un grupo de más de 10.000 técnicos autorizados de Sears, lo que significa que alguien en quien puede confiar va a trabajar en su producto.
- **Visitas a su domicilio ilimitadas y servicio en todo el país** todas las veces que nos necesite, cuando nos necesite.
- **Garantía por defectos de fabricación:** reemplazo de su producto si se producen cuatro o más fallas dentro de los doce meses.
- **Reemplazo del producto:** si éste no puede repararse.
- **Control de mantenimiento preventivo anual** a pedido, sin cargos extra.
- **Ayuda rápida por teléfono:** lo llamamos **resolución rápida.** Soporte telefónico de un representante de Sears sobre todos los productos. Piense en nosotros como un "manual de usuario que habla".
- **Protección de picos de tensión** contra daños eléctricos debidos a fluctuaciones de la energía.
- **Protección anual de \$250 por pérdida de comida** que se haya producido como resultado una falla mecánica cualquier refrigerador o congelador cubierto.

Reintegro por alquiler si la reparación de su producto tarda más de lo prometido.

- **25% de descuento** del precio normal de cualquier servicio de reparación no cubierto y de piezas relacionadas instaladas.

Una vez que adquiera el Acuerdo, sólo tiene que hacer un llamado telefónico para programar el servicio. Puede llamar en cualquier momento de día o de noche, o coordinar un servicio técnico online.

El Acuerdo maestro de protección es una compra sin riesgos. Si usted lo cancela por cualquier razón durante el período de garantía del producto, le devolveremos la totalidad del dinero, o una devolución prorrateada en cualquier momento después de que expire el período de garantía. Adquiera hoy mismo su Acuerdo maestro de protección.

Se aplican algunas limitaciones y exclusiones.

Para consultar precios y e información adicional en los EE. UU. llame al 1-800-827-6655.

* **La cobertura en Canadá varía en algunos aspectos.**

Para más detalles, llame a Sears Canadá a 1-800-361-6665.

Servicio de instalación de Sears

Para solicitar la instalación profesional de Sears de electrodomésticos, dispositivos para apertura de puertas de garaje, calentadores de agua y otros electrodomésticos, llame en los EE. UU. o Canadá a: 1-800-4-MY-HOME®.

MENSAJES DE SEGURIDAD

En este manual y en su electrodoméstico figuran muchos mensajes importantes de seguridad. Lea y cumpla siempre con todos los mensajes de seguridad.



Éste es el símbolo de alerta de seguridad. Este símbolo lo alerta sobre posibles riesgos que pueden resultar en daños sobre la propiedad y/o lesiones físicas graves o la muerte.

Todos los mensajes de seguridad incluirá el símbolo de alerta y la palabra PELIGRO o ADVERTENCIA. Estas palabras significan:

 **DANGER**

Si no se siguen estas instrucciones sobre seguridad, se pueden producir daños materiales y/o lesiones personales graves o la muerte.

 **ADVERTENCIA**

Si no se siguen estas instrucciones sobre seguridad, se pueden producir daños materiales y/o lesiones personales graves o la muerte.

Todos los mensajes de seguridad le indicarán cuál es el peligro potencial, le indicarán cómo reducir el riesgo de lesiones y lo que puede suceder si no se siguen las instrucciones.

INSTRUCCIONES IMPORTANTES SOBRE SEGURIDAD

ADVERTENCIA

Para reducir el riesgo de incendio, descarga eléctrica o lesiones personales al utilizar este electrodoméstico, siga estas precauciones básicas, entre las que se incluyen las siguientes:

- Antes de utilizar la lavadora, es necesario instalarla correctamente, según se describe en este manual.
- No lave artículos que previamente hayan sido limpiados, lavados, sumergidos o salpicados con gasolina, disolventes de limpieza en seco o cualquier otra sustancia inflamable o explosiva, ya que pueden desprender vapores que podrían incendiarse o explotar.
- No agregue gasolina, disolventes de limpieza en seco u otras sustancias explosivas al agua de lavado. Estas sustancias emanan vapores que podrían encenderse o explotar.
- Bajo ciertas condiciones, se puede producir gas hidrógeno en un sistema de agua caliente que no se haya usado por un plazo de 2 semanas o más. **EL GAS HIDRÓGENO ES EXPLOSIVO.** Si no se ha usado el sistema de agua caliente durante tal período, antes de utilizar la lavadora, abra todas las llaves de agua caliente y deje que el agua fluya durante algunos minutos. Esto liberará cualquier gas hidrógeno acumulado. Ya que el gas es inflamable, no fume ni use ninguna llama abierta durante este período.
- No deje que los niños jueguen en la lavadora o dentro de ella. Cuando se usa la lavadora cerca de los niños se necesita supervisión minuciosa.
- Antes de poner la lavadora fuera de servicio o tirarla, retire la puerta para que los niños no puedan trepar al interior.
- No instale ni guarde la lavadora cuando esté expuesta a la intemperie o temperaturas de congelamiento.
- No toqueteé los controles.
- No repare ni cambie ninguna pieza de la lavadora ni intente dar un mantenimiento diferente al descrito en este manual. Recomendamos enfáticamente que el mantenimiento lo brinde una persona calificada.
- Vea las Instrucciones para la instalación para referirse a los requisitos de conexión a tierra.
- Siga SIEMPRE las instrucciones de cuidado de la prenda provistas por el fabricante de las prendas.
- No coloque prendas expuestas a aceite comestible en su lavadora. Las prendas contaminadas con aceites comestibles podrían contribuir a la formación de una reacción química que cause que una carga de lavado se incendie.
- Use suavizantes o productos para eliminar estática únicamente del modo recomendado por el fabricante.
- Esta lavadora no está diseñada para uso marino o instalaciones móviles tales como vehículos recreativos, aeronaves, etc.
- Cierre las llaves de agua y desenchufe la lavadora si va a dejar la lavadora sin funcionar por un período prolongado de tiempo, como durante las vacaciones.
- El material de embalaje podría resultar peligroso para los niños. **Existe riesgo de asfixia.** Mantenga todos los elementos de embalaje fuera del alcance de los niños.
- Antes de cargar la lavadora, siempre revise que no haya objetos extraños en su interior. Mantenga la puerta cerrada cuando no se use.
- **ADVERTENCIA:** Este producto contiene químicos conocidos por el Estado de California como causantes de cáncer y defectos de nacimiento u otros daños reproductivos. **Lávese las manos después de usarlo.**

⚠ ADVERTENCIA

Para reducir el riesgo de incendio, descarga eléctrica o lesiones personales al utilizar este electrodoméstico, siga estas precauciones básicas, entre las que se incluyen las siguientes:

- **Desenchufe la lavadora antes de proceder a su limpieza** para evitar posibles descargas eléctricas.
- **No utilice nunca productos químicos fuertes, limpiadores abrasivos o disolventes para limpiar la lavadora.** Dañarán el acabado.
- **No coloque paños grasosos o aceitosos sobre la lavadora.** Estas sustancias despiden vapores que podrían prender fuego a los materiales.
- **No lave prendas que estén sucias con aceite vegetal o de cocina.** Las mismas pueden quedar con algo de aceite luego del lavado y prenderse fuego.
- **Desconecte este electrodoméstico de la toma de corriente antes de realizar cualquier función de mantenimiento. Colocar los controles en la posición OFF (apagado) no desconecta el**

electrodoméstico de la toma de corriente. Si no se cumple con esta advertencia se podrán producir lesiones graves, incendios, descargas eléctricas o muerte.

- **No combine detergentes, suavizantes y otros productos de lavandería de diferentes fabricantes en una misma carga, a menos que así se especifique en la etiqueta.**
- **No mezcle blanqueador con cloro con amoníaco o ácidos, como vinagre. Siga las direcciones del paquete al usar productos de lavandería.** Un uso indebido puede producir gases venenosos, lo que puede resultar en heridas graves o la muerte.
- **No coloque las manos dentro de la lavadora cuando sus partes estén en movimiento. Antes de cargar, descargar o agregar prendas, presione la perilla selectora de ciclos y espere hasta que la tina se detenga totalmente antes de meter las manos en su interior.** Si no se cumple con esta advertencia se podrán producir lesiones graves, incendios, descargas eléctricas o muerte.

⚠ ADVERTENCIA

- **Consulte las INSTRUCCIONES DE INSTALACIÓN para obtener información detallada de los procedimientos de conexión a tierra.** Junto con la lavadora se encuentran las instrucciones de instalación como referencia. Si cambiara de lugar la lavadora, contrate a una persona del servicio calificada para que la controle y reinstale. Si no se cumple con esta advertencia se podrán producir lesiones graves, incendios, descargas eléctricas o muerte.
- **Bajo ninguna circunstancia, corte o quite la tercera clavija (de conexión a tierra) del cable eléctrico.** Si no se cumple con esta advertencia se podrán producir lesiones graves, incendios, descargas eléctricas o muerte.
- **Por motivos de seguridad personal, este electrodoméstico debe estar conectado a tierra adecuadamente.** Si no se cumple con esta advertencia se podrán producir lesiones graves, incendios, descargas eléctricas o muerte.
- **El cable de alimentación de este electrodoméstico está equipado con un enchufe de tres clavijas (de conexión a tierra) que coincide con una toma de corriente para tres clavijas (de conexión a tierra) para así minimizar la posibilidad de descarga eléctrica de este electrodoméstico.**
- **Esta lavadora debe estar enchufada a una toma de corriente de 120 V de CA, 60 Hz y con conexión a tierra.** Si no se cumple con esta advertencia se podrán producir lesiones graves, incendios, descargas eléctricas o muerte.
- **Solicite a un electricista calificado que controle la toma de corriente y el circuito eléctrico para asegurarse de que la toma de corriente está correctamente conectada a tierra.** Si no se cumple con esta advertencia se podrán producir lesiones graves, incendios, descargas eléctricas o muerte.
- **Si únicamente se dispone de una toma de corriente de 2 clavijas, será responsabilidad y obligación suya sustituirlo por otra de 3 clavijas, de conexión a tierra, y adecuada para este uso.** Si no se cumple con esta advertencia se podrán producir lesiones graves, incendios, descargas eléctricas o muerte.
- **No instale sobre alfombra. Instale la lavadora sobre piso firme.** Si no se cumple con esta advertencia, se podrán producir daños por filtraciones.
- **No elimine el cable de conexión a tierra. No use un adaptador o prolongador. Enchufe en una toma de corriente con conexión a tierra de 3 clavijas.** Si no se cumple con estas advertencias se podrán producir lesiones graves, incendios, descargas eléctricas o muerte.

- **La lavadora debería estar siempre conectada a un enchufe individual con un índice de voltaje equivalente al que figura en su etiqueta de características técnicas.** Esto garantiza el mejor funcionamiento y además previene la sobrecarga de los circuitos del hogar, lo cual podría ocasionar riesgos de incendio debido al recalentamiento de cables.
- **Nunca desenchufe su lavadora jalando del cable de corriente.** Siempre tome su enchufe firmemente y jale del mismo hacia fuera para retirarlo. Si no se cumple con esta advertencia se podrán producir lesiones graves, incendios, descargas eléctricas o muerte.
- **Repáre o reemplace de inmediato todos los cables de corriente pelados o con cualquier tipo de daño. No use un cable con cortaduras o abrasión sobre su extensión o extremos.** Consulte a una persona calificada del servicio técnico. Si no se cumple con esta advertencia se podrán producir lesiones graves, incendios, descargas eléctricas o la muerte.
- **Al instalar o cambiar de lugar la lavadora, evite todo tipo de cortes u otros daños en el cable de corriente.** Si no se cumple con esta advertencia, se podrán producir lesiones graves, incendios, descargas eléctricas o muerte.
- **La lavadora debe ser instalada y conectada a tierra por una persona especializada del servicio técnico cumpliendo con los códigos locales** para prevenir riesgos de descargas y asegurar la estabilidad durante el funcionamiento.
- **La lavadora es pesada. Se necesitan dos o más personas para instalar y trasladar el electrodoméstico.** Si no se cumple esta advertencia, se podrán producir daños en la propiedad y graves lesiones personales.
- **No almacene ni instale la lavadora en lugares expuestos a temperaturas de congelación ni a inclemencias meteorológicas.** Si no se cumple con esta advertencia, se podrán producir daños por filtraciones.
- **Con el fin de reducir el riesgo de descargas eléctricas no instale la lavadora en espacios húmedos.** Si no se cumple con esta advertencia, se podrán producir lesiones graves, incendios, descargas eléctricas o muerte.

ADVERTENCIA: RIESGO PARA LOS NIÑOS

- No deje que los niños jueguen en la lavadora o dentro de ella. Cuando se usa la lavadora cerca de los niños se necesita supervisión minuciosa. A medida que los niños crecen, enséñeles el uso apropiado y seguro de todos los electrodomésticos. No cumplir con estas advertencias puede provocar lesiones físicas graves.
- Destruya el cartón, la bolsa de plástico y otros materiales de embalaje después de desempaquetar la lavadora. Los niños podrían utilizarlos para jugar. Los cartones cubiertos con las mantas, las colchas, o las hojas plásticas pueden convertirse en compartimientos herméticos. No cumplir con estas advertencias puede provocar lesiones físicas graves.
- Guarde los productos de lavandería fuera del alcance de los niños. Para evitar lesiones personales, observe todas las advertencias de las etiquetas del producto. No cumplir con estas advertencias puede provocar lesiones físicas graves.
- Antes de poner la lavadora fuera de servicio o de tirarla, quite la puerta del compartimiento de lavado para evitar el peligro que niños o pequeños animales se queden atrapados en el interior. Si no se respeta esta advertencia, pueden producirse lesiones graves e incluso la muerte.

REQUISITOS DE CONEXIÓN A TIERRA

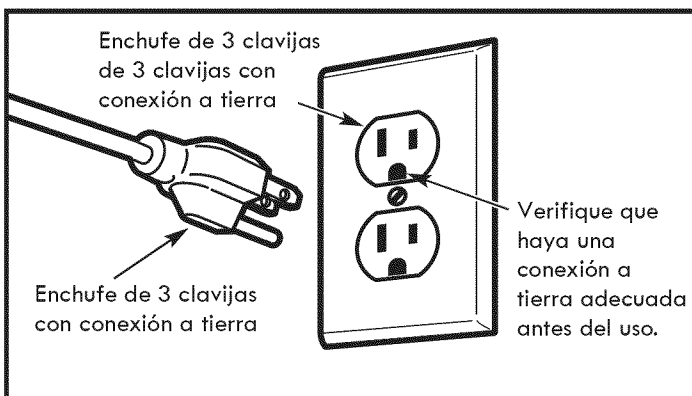
IMPORTANTE: Lea atentamente la siguiente información. PARA CONECTAR LA ELECTRICIDAD

⚠ ADVERTENCIA

Una conexión inadecuada del conductor de conexión a tierra del equipo puede ocasionar un riesgo de descarga eléctrica. Consulte a un eléctrico o técnico calificado si tiene dudas sobre si el electrodoméstico está correctamente conectado a tierra. No modifique el enchufe que se entrega con el electrodoméstico. Si no encaja en la toma de corriente, solicite a un electricista adecuadamente formado que le instale una toma de corriente apropiada. Si no se cumple con estas advertencias se podrán producir lesiones graves, incendios, descargas eléctricas o muerte.

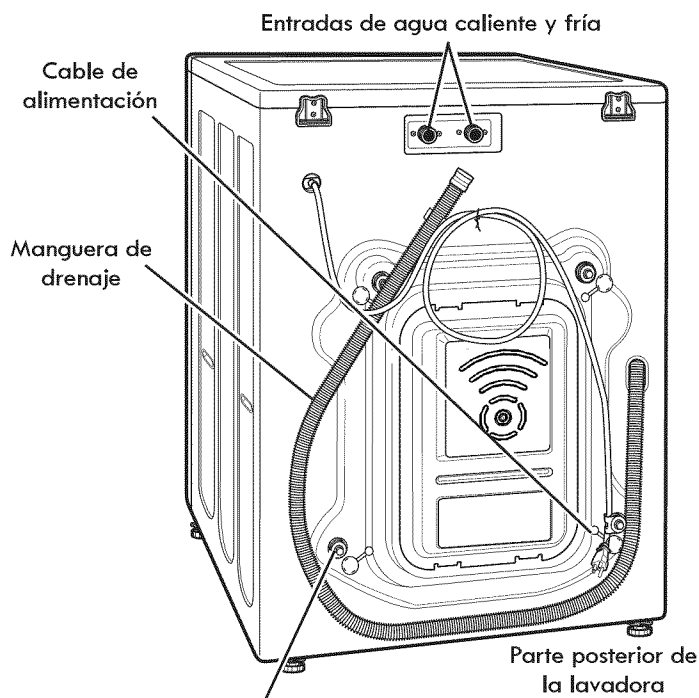
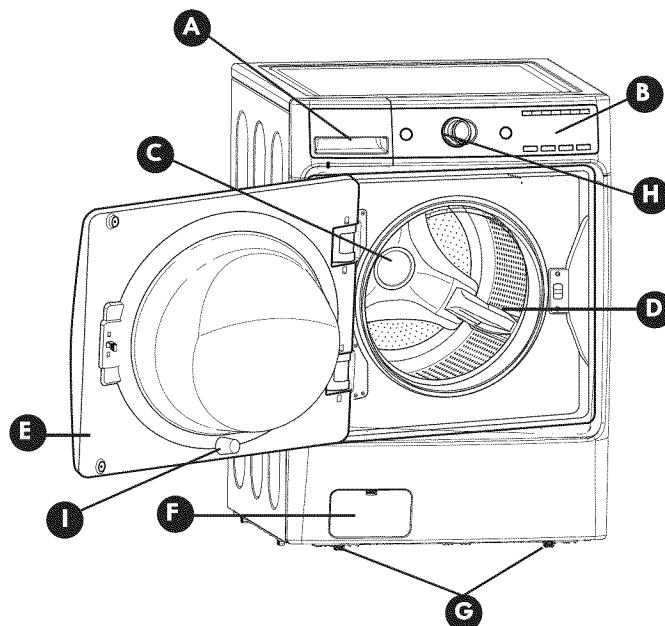
INSTRUCCIONES DE CONEXIÓN A TIERRA

Este electrodoméstico debe estar conectado a tierra. En caso de falla o mal funcionamiento, la conexión a tierra reduce el riesgo de descarga eléctrica, al brindar a la corriente eléctrica una trayectoria de una menor resistencia. Este electrodoméstico está equipado con un cable que dispone de un conductor de conexión a tierra del equipo y un enchufe con conexión a tierra. El enchufe debe conectarse a una toma de corriente adecuada que esté correctamente instalada y con conexión a tierra según los códigos y ordenanzas locales.



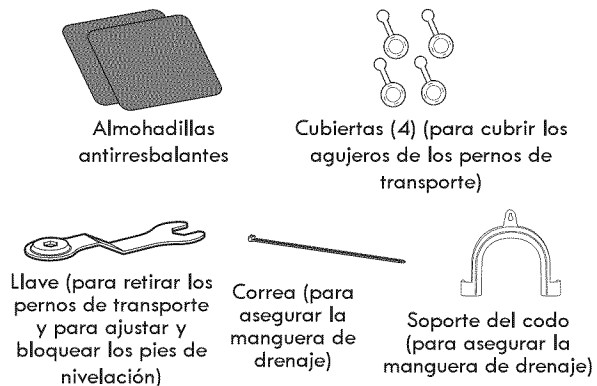
PIEZAS Y COMPONENTES CLAVE

- A DISPENSADOR DE DETERGENTE**
Existen cuatro compartimentos. Uno para el prelavado, el lavado principal, el blanqueador líquido y el suavizante líquido.
- B PANEL DE CONTROL DE FÁCIL USO**
El panel táctil de cristal liso le permite hacer sus selecciones con sólo un toque suave del botón. La pantalla LED de fácil lectura muestra las opciones del ciclo, los ajustes, el estado del ciclo y el tiempo restante estimado.
NOTA: Los sensores en la lavadora detectan automáticamente el tamaño de la carga de lavado para optimizar el tiempo de lavado, según el ciclo y las opciones seleccionados.
- C MOTOR DE IMPULSIÓN DIRECTA**
El motor de impulsión directa proporciona un mejor rendimiento y fiabilidad además de que aumenta el ahorro energético. (No se puede ver el motor.)
- D TINA DE ACERO INOXIDABLE DE GRAN CAPACIDAD**
La tina de acero inoxidable de capacidad ultra grande proporciona una durabilidad superior, y se inclina para mejorar la eficiencia y permitir un acceso más fácil para las prendas grandes.
- E PUERTA DE BLOQUEO DE FÁCIL ACCESO**
La puerta extra grande se bloquea durante el funcionamiento. La puerta no se desbloquea hasta que sea seguro hacerlo.
- F PANEL DE ACCESO AL FILTRO**
Proporciona un fácil acceso a la bomba de drenaje, lo cual permite limpiar el filtro o recuperar los elementos perdidos sin solicitar asistencia técnica.
- G PATAS DE NIVELACIÓN**
Las cuatro patas de nivelación (dos frontales y dos posteriores) se pueden ajustar para mejorar la estabilidad de la lavadora sobre suelos irregulares. Las patas se ajustan y se fijan en su lugar con la llave de ajuste incluida con la lavadora.
- H CICLOS DE VAPOR DE ALTA EFICIENCIA**
Durante los ciclos de vapor de alta eficiencia, el vapor caliente interactúa con los tejidos para ayudar a eliminar las manchas difíciles.
- I IMÁN DE LA PUERTA**
Mantiene la puerta entreabierta forma segura y cómoda con el imán de la puerta. La puerta se cierra en dos posiciones, completamente cerrada y ligeramente entreabierta. En esta última posición, la puerta está cerrada sólo con el imán de la puerta para mantenerla ligeramente abierta cuando la lavadora no está en uso. Esto permitirá la circulación de aire y hará que el interior de la lavadora se seque. Para utilizar esta característica, cierre la puerta justo hasta que haga contacto con el imán de la puerta.



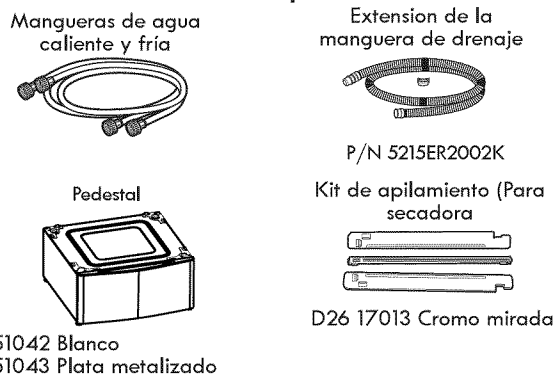
Pernos/retenedores de transporte (4)
NOTA: Los pernos/retenedores **DEBEN** retirarse antes de su funcionamiento. Guarde esta información para uso futuro.

Accesorios Incluidos



Aspecto llave puede variar.

Accesorios Opcionales



DIMENSIONES Y ESPECIFICACIONES CLAVE

Descripción	Lavadora de carga frontal
Tensión nominal y frecuencia	120 V de CA, 60 Hz
Presión máxima del agua	14,5 – 142 PSI (100 – 980 kpa)
Dimensiones	27 pulgadas(ancho) x 29 ³ / ₄ pulgadas(largo) x 38 ¹¹ / ₁₆ pulgadas(alto) 51 pulgadas. (S, con la puerta abierta) 68,6 cm (ancho) X 75,6 cm (largo) X 98,3 cm (alto), 129,5 cm (S, con la puerta abierta)
Peso neto	93 kg (205 lbs)
Velocidad máxima de centrifugado	1300 RPM

CÓMO ELEGIR LA UBICACIÓN MÁS ADECUADA

⚠️ ADVERTENCIA

- **La lavadora es pesada. Se necesitan dos o más personas para trasladar y desempaquetar la lavadora.** Si no se cumple esta advertencia, se podrán producir daños en la propiedad y graves daños personales.
- **No almacene ni instale la lavadora en lugares expuestos a temperaturas de congelación ni a inclemencias meteorológicas.** Si no se cumple con esta advertencia se podrán producir lesiones graves, incendios, descargas eléctricas o muerte.
- **Conecte la lavadora adecuadamente a tierra según los códigos y las ordenanzas vigentes.** Si no se cumple con esta advertencia, se podrán producir lesiones graves, incendios, descargas eléctricas o muerte.
- **Con el fin de reducir el riesgo de descargas eléctricas no instale la lavadora en espacios húmedos.** Si no se cumple con esta advertencia, se podrán producir lesiones graves, incendios, descargas eléctricas o muerte.
- **Para asegurar un adecuado flujo del aire, no bloquee la gran abertura situada en la parte inferior de la lavadora con una alfombra u otros materiales.**
- **No elimine el cable de conexión a tierra. No use un adaptador o prolongador. Enchufe en una toma de corriente con conexión a tierra de 3 clavijas.** Si no se cumple con esta advertencia se podrán producir lesiones graves, incendios, descargas eléctricas o muerte.

Toma de corriente

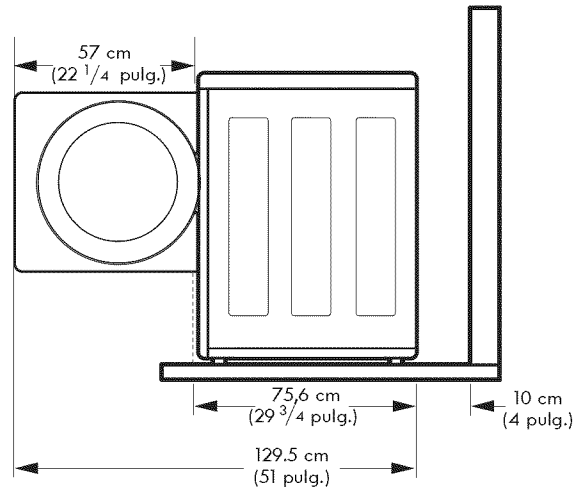
- La toma de corriente debe estar dentro de un área mínima de 1,5 m (60 pulgadas) a cualquiera de los lados de la lavadora.
- El electrodoméstico y la toma de corriente deben estar colocados de forma tal que se pueda acceder al enchufe fácilmente.
- No sobrecargar la toma de corriente con más de un electrodoméstico.
- La toma de corriente deberá estar conectada a tierra de acuerdo con los códigos y las regulaciones de cableado actuales.
- Se recomienda utilizar un fusible de demora de tiempo o disyuntor.

NOTA: Es responsabilidad y obligación personal del dueño del producto pedir a una persona del servicio técnico calificado que instale la toma de corriente adecuada.

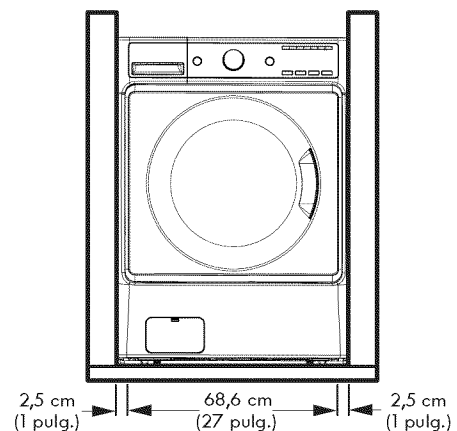
TIPO DE PISO

- Para minimizar el ruido y vibración, se DEBE instalar la lavadora en un piso sólidamente construido. Ver la NOTA a la derecha.
- La cuesta permisible debajo de toda la lavadora es una diferencia máxima de 2,5 cm. (1 pulgada) de lado a lado o entre la parte delantera y la trasera.
- No se recomiendan las superficies alfombradas o de baldosas blandas.
- Nunca instale la lavadora en una plataforma o estructura soportada con poca solidez.

ESPACIOS DE INSTALACIÓN



Para asegurar que se haya dotado de suficiente espacio para las tuberías de agua y flujo de aire, deje espacios mínimos de por lo menos 2,5 cm (1 pulgada) en los lados y de 10 cm (4 pulgadas) detrás de la unidad. No olvide tener en cuenta las molduras de paredes, puertas o piso, que podrían aumentar la distancia de separación necesaria.



Permita al menos 68,6 cm (27 pulgadas) en frente de la lavadora para abrir la puerta.

NOTA: El suelo debe ser lo suficientemente fuerte y firme para soportar el peso de la lavadora, cuando está totalmente cargada, sin desajustes ni rebotes. Si el suelo es poco firme, es posible que tenga que reforzarlo para que sea más rígido. Un suelo que es adecuado para una lavadora de carga superior puede no ser lo suficientemente rígido para una lavadora de carga frontal, debido a la diferencia en la velocidad de centrifugado y la dirección. Si el suelo no es sólido, la lavadora puede vibrar y podrá escuchar y sentir la vibración en toda la casa.

DESEMPAQUETADO Y DESEMBALAJE DE PERNOS DE TRANSPORTE

Al retirar la lavadora de la base de cartón, asegúrese de retirar el soporte de la tina de espuma en el centro de la base de cartón. Consulte la figura a continuación.

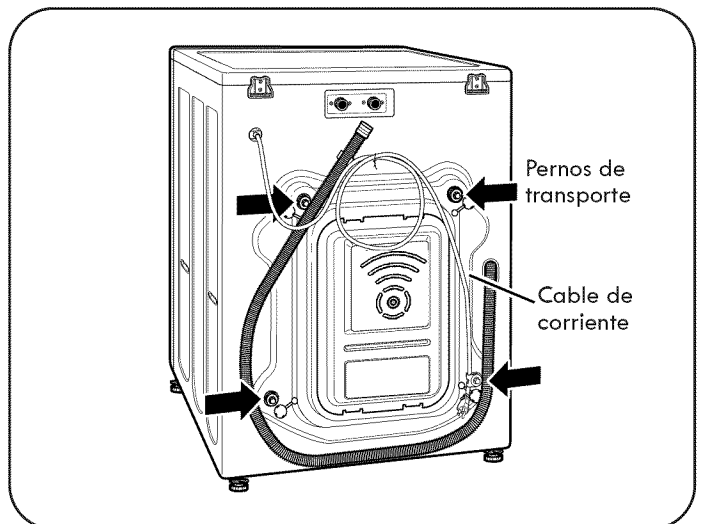
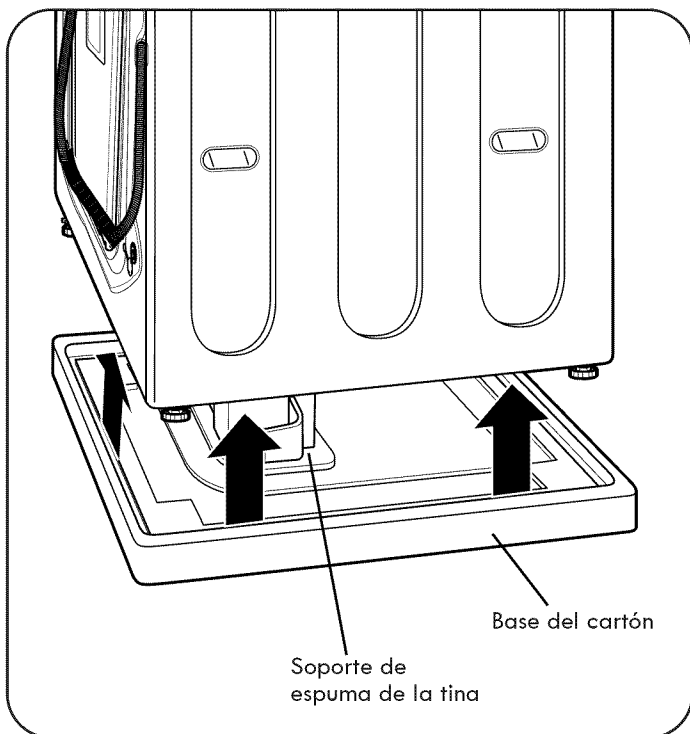
Si debe asentar la lavadora hacia abajo para quitar los materiales de embalaje de la base, siempre proteja el lado de la lavadora y deposítela con cuidado sobre su lado. **NUNCA** asiente la lavadora sobre su parte frontal o posterior.

Para evitar daños internos durante el transporte, la lavadora está equipada con cuatro pernos de transporte y retenedores de plástico.

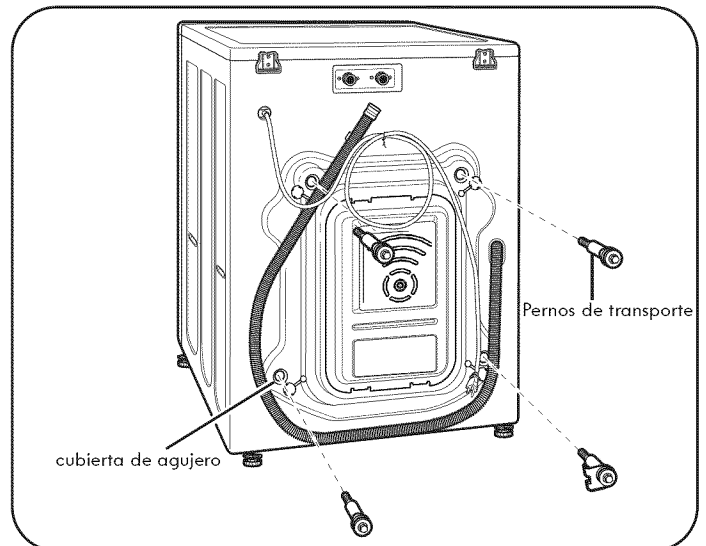
IMPORTANTE:

- Estos pernos y retenedores **NO DEBEN** retirarse hasta colocar la lavadora en su ubicación definitiva.
- Estos pernos y retenedores **DEBEN** retirarse antes de poner a funcionar la lavadora.
- Si no se retiran los pernos y retenedores de transporte, se pueden producir fuertes vibraciones y ruido, y, por consiguiente, daños permanentes a la lavadora.

NOTA: El cable de alimentación está fijado a la parte posterior de la lavadora con un perno de transporte para evitar el funcionamiento con los pernos de transporte si no se retiran de su lugar.



1. Comience con los dos pernos de transporte inferiores y utilice la llave de pernos (incluida) para aflojar completamente los cuatro pernos de transporte girándolos hacia la izquierda.

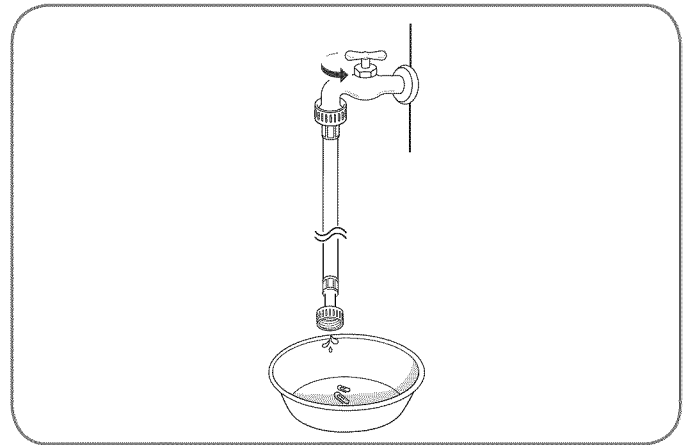


2. Retire los conjuntos de pernos moviéndolos ligeramente al mismo tiempo que los extrae.
3. Ubique los cuatro tapones de orificio incluidos en el paquete de accesorios y colóquelos en los orificios de los pernos de transporte.

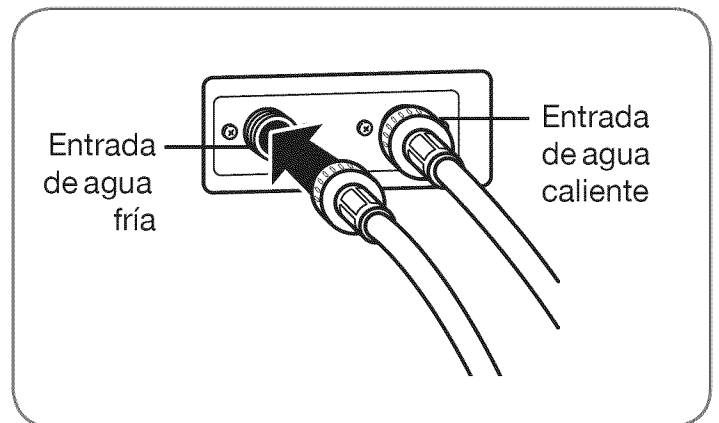
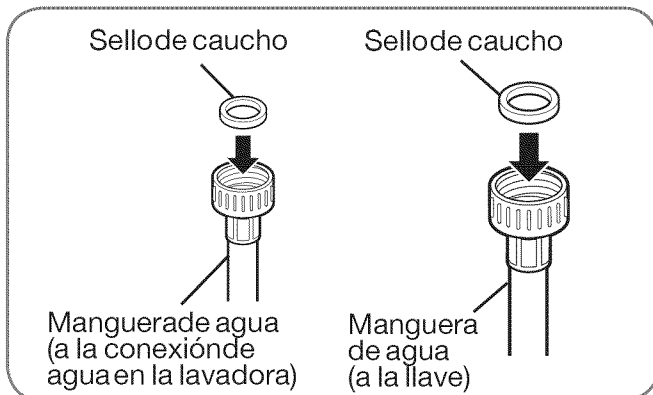
NOTA: Guarde los conjuntos de pernos para uso futuro. Para evitar daños a los componentes internos, **NO** transporte la lavadora sin volver a instalar los pernos de transporte.

CONEXIÓN DE LAS TUBERÍAS DE AGUA

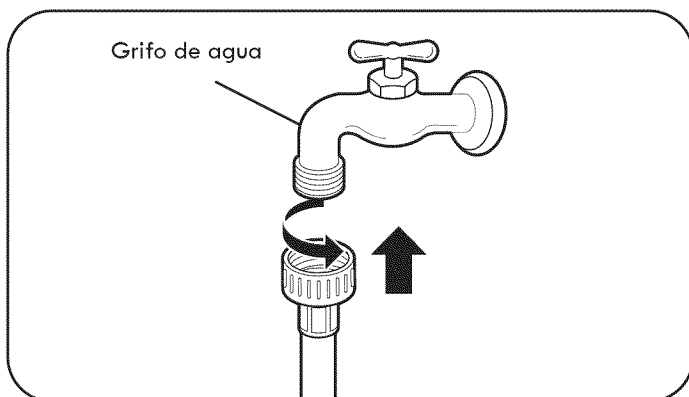
- **IMPORTANTE:** Use mangueras nuevas cuando instale la lavadora. NO reutilice las antiguas mangueras.
- **IMPORTANTE:** SÓLO use las mangueras de entrada suministradas con esta lavadora. Las mangueras comerciales no tienen garantía de que se ajusten o funcionen correctamente. Otras mangueras puede que no se aprieten correctamente y ocasionen fugas. Los daños subsiguientes a los productos o la propiedad no quedarán cubiertos de acuerdo con los términos de la garantía del producto.
- La presión del suministro de agua debe estar entre 14,5 psi y 142 psi (100–980 kPa). Si la presión del suministro de agua es superior a 116 psi, se deberá instalar una válvula de reducción de la presión del agua.
- Periódicamente, compruebe las mangueras en busca de grietas, fugas y desgastes, y reemplace la manguera si es necesario.
- Asegúrese de que las mangueras no estén estiradas, pinzadas, aplastadas o retorcidas.
- La lavadora no se debería instalar ni almacenar en un lugar sometido a temperaturas de congelación. Pueden dañarse las tuberías de agua y mecanismos internos de la lavadora. Si la lavadora estuvo expuesta a temperaturas de congelación antes de la instalación, permita que permanezca a temperatura ambiente por varias horas antes de usarla y verifique la presencia de pérdidas antes del funcionamiento.



3. Siempre deje fluir uno o dos litros de agua a través de cada manguera de entrada para ayudar a evitar futuros problemas con pantallas de filtro obstruidas al vaciar la suciedad, depósitos de minerales y otros residuos de las tuberías de agua. De paso, al hacerlo comprobará cuál es la manguera de agua caliente y cuál la de agua fría.



1. Inspeccione el accesorio roscado de cada manguera y verifique que haya un sello de goma en ambos extremos.



2. Conecte las mangueras de suministro de agua a las llaves de paso de agua caliente y fría y apriete las conexiones con la mano. A continuación, utilice unos alicates para apretarlas otros $\frac{2}{3}$ de vuelta.

4. Conecte la tubería de agua caliente (roja) a la entrada de agua caliente ubicada en la parte trasera de la lavadora. Conecte la tubería de agua fría (azul) a la entrada de agua fría situada en la parte posterior de la lavadora. Ajuste las uniones con firmeza.

NOTA: Cuando instale las mangueras a las válvulas de entrada de agua, tenga cuidado de no enroscar mal los accesorios de la manguera. NO apriete en exceso las mangueras; esto podría causar daños a los componentes internos, la válvula o la junta de la manguera. El apriete excesivo puede ocasionar daños materiales debido a las fugas.

CONEXIÓN DE LA MANGUERA DE DRENAJE

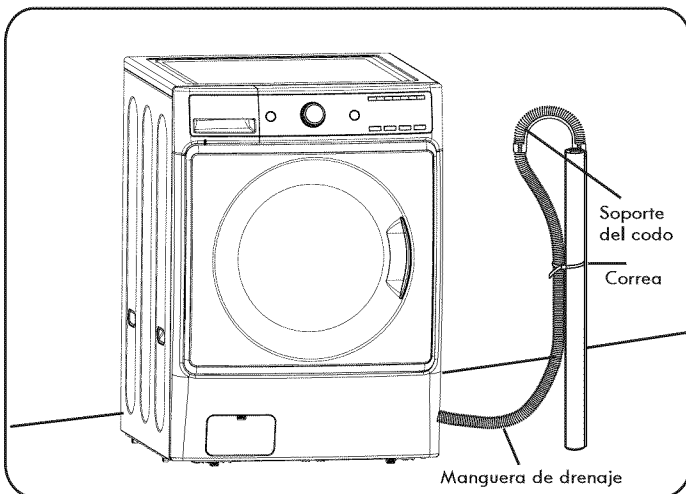
- La manguera de drenaje siempre debe estar asegurada adecuadamente. No asegurar adecuadamente la manguera de drenaje puede resultar en inundación o daños materiales.
- No instale el extremo de la manguera de drenaje a una altura de más de 243,8 cm (96 pulgadas) sobre la parte inferior de la lavadora.
- El drenaje debe instalarse según todos los códigos y regulaciones locales vigentes.
- Asegúrese de que la manguera de drenaje no está estirada, pinzada, aplastada o retorcida.

NOTA:

Hay un kit de extensión de la manguera de drenaje disponible si la manguera de drenaje no es suficientemente larga. No extienda la manguera de drenaje más de 1,8 metros (6 pies) porque esto producirá un drenaje deficiente, lo cual hará que el rendimiento del lavado y centrifugado sea deficiente también.



Opción 1: Tubo vertical

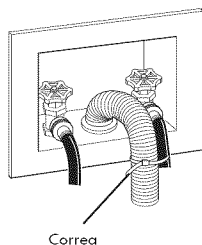


Ingrese el extremo de la manguera de drenaje en el soporte del codo. No extienda la manguera de drenaje más de 10,1 cm (4 pulgadas) más allá del extremo del soporte del codo. Use una correa para asegurar la manguera de drenaje en su lugar.

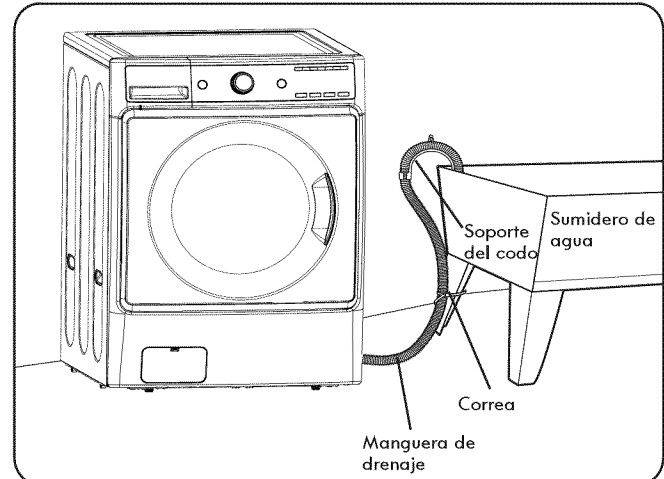
NOTA:

- La altura total del extremo de la manguera no debe exceder 243,8 cm (96 pulgadas) desde la parte inferior de la lavadora.
- La inserción de la manguera de drenaje no debe excederse de 20,3 a 30,4 cm (8 -12 pulgadas) en la tubería vertical. La inserción de más de 20,3 a 30,4 cm (8 -12 pulgadas) puede causar que proliferen el moho o microorganismos en el interior de la lavadora.

Si las válvulas de agua y desagüe se construye en la pared, fije la manguera de desagüe a una de las mangueras de agua con la correa (lado acanalado en el interior).

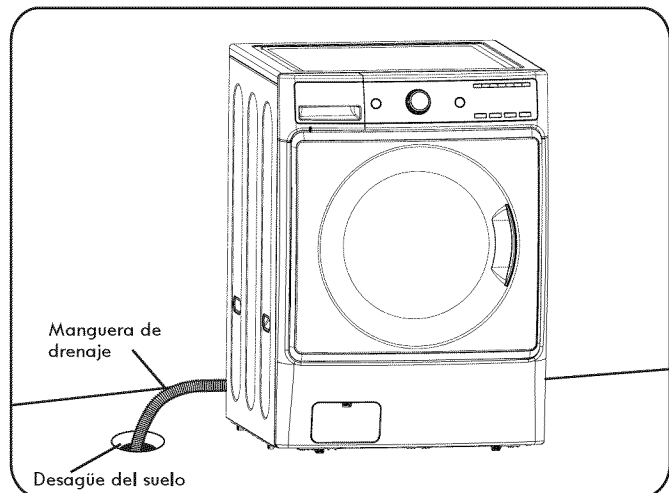


Opción 2: Tina de lavado



El soporte de codo debe estar instalado cerca del extremo de la manguera de drenaje. Cuelgue el extremo de la manguera de drenaje por el lado del sumidero de agua. Use una correa para asegurar la manguera de drenaje en su lugar.

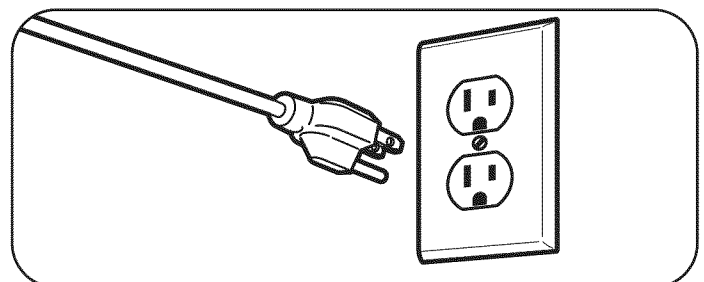
Opción 3: Desagüe del suelo



Inserte el extremo de la manguera de drenaje en el desagüe del suelo. Si es posible, fije la manguera para evitar que se mueva o se salga del desagüe.

CONEXIÓN DEL SUMINISTRO ELÉCTRICO

La lavadora requiere una toma de corriente de 120 V de CA, 60 Hz y tres clavijas con conexión a tierra. Enchufe la lavadora.



NIVELACIÓN DE LA LAVADORA

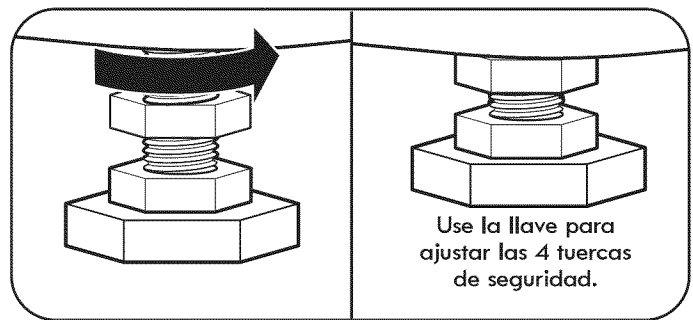
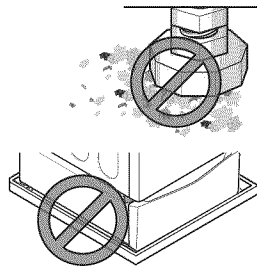
La tina de su nueva lavadora gira a velocidades muy elevadas. Para reducir al mínimo las vibraciones, el ruido y el movimiento no deseado, el piso debe ser una superficie sólida y nivelada.

NOTA: Ajuste las patas niveladoras solo en la medida necesaria para nivelar la lavadora. La extensión de las patas niveladoras más de lo necesario puede causar vibración de la lavadora.

NOTA: Antes de instalar la lavadora, asegúrese de que el suelo esté limpio, seco y libre de polvo, sucio, agua y aceites para que las patas de la lavadora no puedan deslizarse fácilmente. Las patas de apoyo podrían moverse o deslizarse, conllevando una vibración y ruido excesivos derivados de un contacto deficiente con el suelo. Consulte **INSTALACIÓN DE ALMOHADILLAS ANTIRRESBALANTES** para más información.

NOTA: Si debe utilizar una bandeja recolectora, asegúrese de seguir las instrucciones incluidas con la bandeja recolectora y de que las patas de nivelación estén ajustadas para un contacto firme y nivelado con la bandeja. El uso de bandejas recolectoras y la nivelación inadecuada de la máquina pueden resultar en una mayor vibración y ruido durante el funcionamiento.

Las cuatro patas niveladoras deben apoyarse firmemente en el piso. Intente mover la lavadora de una esquina hacia otra para asegurar que las cuatro patas niveladoras tengan un contacto firme sobre el suelo.



3. Una vez que la lavadora esté nivelada de lado a lado y de adelante hacia atrás, utilice la llave para apretar las cuatro tuercas de fijación y fíjelas a fin de evitar que las patas se desajusten durante el funcionamiento. Asegúrese de que las cuatro patas estén en contacto directo con el suelo.

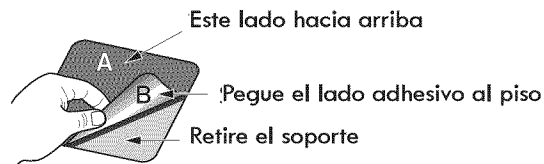
NOTA: Para asegurarse de que la lavadora esté correctamente nivelada, póngala a funcionar con una carga de prueba: coloque una carga mediana de ropa en la lavadora. Luego, presione **POWER (ENCENDER)**, seleccione **RINSE (ENJUAGUE)** y **SPIN (CENTRIFUGADO)**, y presione el botón **START/PAUSE (INICIAR/PAUSAR)**.

Consulte las siguientes secciones para obtener información adicional sobre la selección y el funcionamiento de ciclos. Compruebe que la lavadora no se mueva ni vibre excesivamente durante el ciclo de centrifugado. Si la lavadora vibra o tiembla, ajuste las patas de nivelación, mientras que la lavadora esté centrifugando, hasta reducir la vibración.

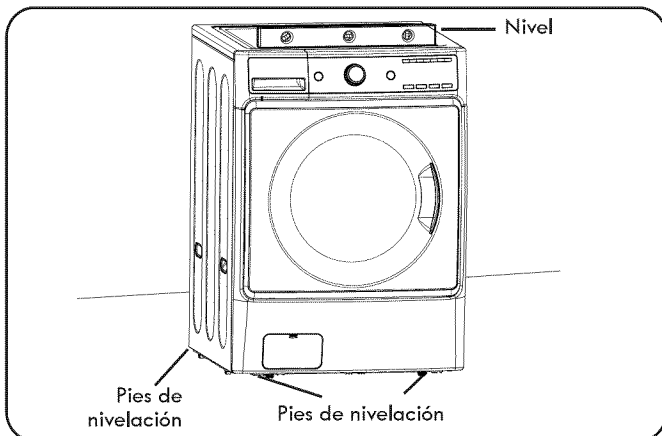
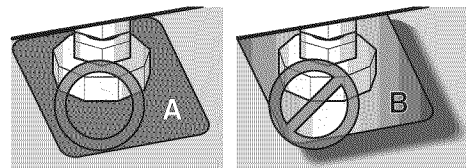
INSTALACIÓN DE ALMOHADILLAS ANTIRRESBALANTES (opcional)

Algunas superficies son demasiado resbaladizas y no pueden evitar que la lavadora se mueva con cargas muy desbalanceadas. A pesar de que es normal que una carga ocasional no esté balanceada, el exceso de ruido y las vibraciones pueden sacar la lavadora fuera de su posición. Si se presentan estas condiciones, siga las instrucciones a continuación para la instalación de almohadillas antirresbalantes. Estas almohadillas ayudarán a evitar que la lavadora se mueva en condiciones donde haya demasiado desbalance, para reducir el ruido y la vibración.

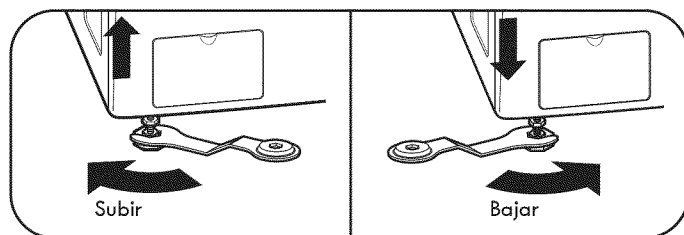
Almohadillas antirresbalantes



* Coloque las almohadillas debajo de ambas patas frontales.



1. Coloque la lavadora en su ubicación final, teniendo especial cuidado de no presionar, tirar excesivamente o aplastar las tuberías de agua y drenaje. Coloque un nivel sobre la parte superior de la lavadora.

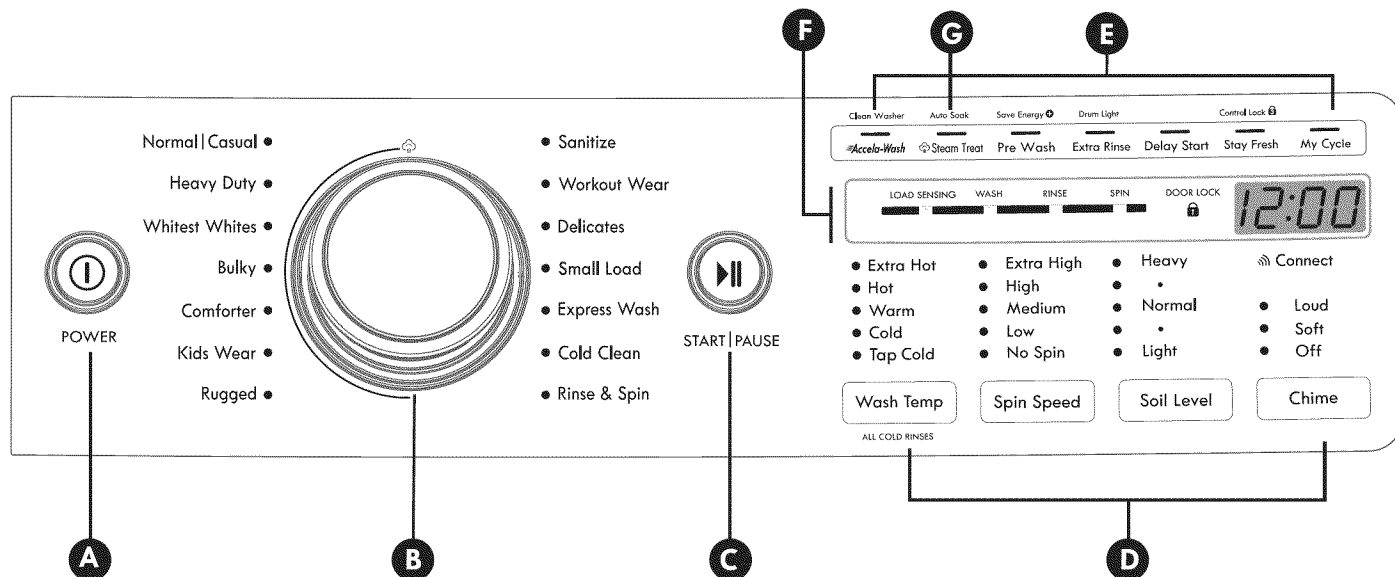


2. Afloje las tuercas de fijación de las cuatro patas de nivelación con la llave hasta que ajuste las patas (aspecto llave puede variar). Utilice la llave para girar las patas hacia la derecha para elevar la lavadora, y en sentido contrario para bajar la lavadora. Con un nivel, ajuste las patas hasta que la lavadora quede nivelada de lado a lado y de adelante hacia atrás. Asegúrese de que las cuatro patas estén en contacto directo con el suelo.

NOTA: Si va a instalar la lavadora en el pedestal opcional, las patas niveladoras de la lavadora deben estar completamente retraídas. Utilice las patas de nivelación del pedestal para nivelar la lavadora.

ADVERTENCIA: Para reducir el riesgo de incendio, descarga eléctrica o lesiones personales, lea y cumpla completamente este manual de uso y cuidado, incluyendo las instrucciones importantes sobre seguridad, antes de poner en funcionamiento la lavadora.

FUNCIONES DEL PANEL DE CONTROL



A BOTÓN POWER (ENCENDER/APAGAR)

Presione este botón para prender la lavadora. Presiónelo de nuevo para apagarla.

NOTA: Al presionar el botón POWER (ENCENDER) durante un ciclo se cancelará ese ciclo y se perderán los ajustes de la carga. La puerta se desbloqueará después de una breve pausa, a menos que el nivel del agua o la temperatura estén muy altos.

B PERILLA DEL SELECTOR DE CICLO

Gire esta perilla para seleccionar el ciclo que desee. Una vez seleccionado el ciclo deseado, se mostrarán en pantalla los ajustes estándar. Estos ajustes pueden cambiarse utilizando los botones de ajuste del ciclo en cualquier momento antes de que el ciclo comience.

C BOTÓN START/PAUSE

Presione este botón para iniciar el ciclo seleccionado. Si la lavadora está funcionando, use este botón para poner en pausa el ciclo sin perder los ajustes actuales.

NOTA: Si no presiona el botón START/PAUSE antes de que transcurran 4 minutos tras seleccionar un ciclo, la lavadora se apagará automáticamente.

D BOTONES MODIFICADORES DE CICLO

Utilice estos botones para definir los ajustes del ciclo seleccionado. Los indicadores luminosos ubicados sobre los botones muestran la selección actual.

E CICLO ESPECIAL Y BOTONES DE OPCIÓN

Estos botones se utilizan para activar los ciclos u opciones especiales.

F PANTALLA DE TIEMPO Y ESTADO

La pantalla muestra el estado del ciclo, el estado del bloqueo de la puerta y el tiempo restante estimado.

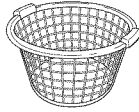
G BOTÓN STEAM TREAT (AÑADIR VAPOR)

Presione el botón ADD STEAM (AÑADIR VAPOR) para agregar vapor al ciclo seleccionado para un mayor poder de limpieza.

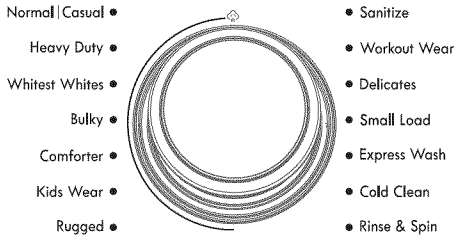
NOTA: La opción de vapor no está disponible en todos los ciclos.

NOTA: Para proteger sus prendas, no todos los ajustes están disponibles para todos los ciclos.

OPERACIÓN DE LAVADORA



POWER



- Extra Hot
- Hot
- Warm
- Cold
- Tap Cold
- Extra High
- High
- Medium
- Low
- No Spin
- Heavy
- Normal
- Light
- Connect
- Loud
- Soft
- Off

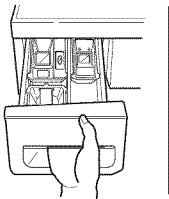
Wash Temp

Spin Speed

Soil Level

Chime

ALL COLD RINSES



START/PAUSE

1 CLASIFICACIÓN DE LAS PRENDAS Y CARGA DE LA LAVADORA
 Clasifique las prendas por tipo de tela, nivel de suciedad, color y tamaño de la carga, según sea necesario. Abra la puerta y cargue las prendas seleccionadas en la lavadora.

2 PRENDER LA LAVADORA
 Presione el botón POWER para prender la lavadora. Las luces alrededor de la perilla del selector se iluminarán y se emitirá un aviso sonoro.

3 SELECCIONAR UN CICLO
 Gire la perilla del selector de ciclo en cualquier dirección para seleccionar el ciclo que desee. Se mostrarán los valores predefinidos de temperatura de lavado y enjuague, velocidad de centrifugado, nivel de suciedad y los ajustes de opción para dicho ciclo.

4 SELECCIONAR LOS MODIFICADORES DE CICLO Y LAS OPCIONES
 Si lo desea, ahora puede cambiar los ajustes predeterminados del ciclo seleccionado. Utilice los botones modificadores de ciclo Wash (Lavar), Spin Speed (Velocidad de centrifugado), Soil Level (Nivel de suciedad) y Chime (Aviso sonoro).

NOTA: Para proteger sus telas, no todos los modificadores se admiten en todos los ciclos. También se pueden agregar opciones de ciclos mediante el uso de los botones de opción Steam Treat (Añadir vapor), My Cycle (Mi ciclo), Stay Fresh (Mantener fresca), Extra Rinse (Enjuague extra), Delay Start (Inicio demorado), Control Lock Bloqueo de controles, Clean Washer (Limpiar lavadora), Pre-Wash (Prelavado), y Auto Soak (Remojo automático).

NOTA: No todas las opciones están disponibles para todos los ciclos. Sonará un aviso sonoro diferente y el LED no se encenderá si no se permite una determinada selección.

5 SELECCIONAR DE CICLO LAS OPCIONES
 Opciones de ciclo se pueden agregar utilizando los botones de opción.



NOTA: No todas las opciones están disponibles para todos los ciclos. No sonará un aviso sonoro diferente y el LED no se encenderá si no se permite una determinada selección.









6 AGREGAR DETERGENTE
 Agregue detergente de alta eficiencia (HE) a la gaveta del dispensador de detergente.

7 INICIAR EL CICLO
 Presione el botón START/PAUSE para que comience el ciclo. Una barra indica una carga ligera y cuatro barras indican una carga pesada. Una barra indica una carga pequeña, dos barras, mediana, tres barras, grande, y cuatro barras, una carga extra grande. Al pulsar el botón START/PAUSE durante el ciclo se detendrá el ciclo y la puerta se abrirá. Presione el botón START/PAUSE otra vez para reanudar el ciclo de lavado.

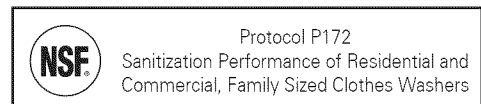
GUÍA DE CICLOS

La siguiente guía de ciclos muestra los ajustes predeterminados, así como las opciones disponibles y los tipos de tejidos recomendados para cada ciclo. Debajo del ajuste predeterminado para cada ciclo, se muestran los ajustes modificadores permitidos.

 = Opción disponible
 = Ajuste predeterminado

Ciclo	Tipo de tejido o de carga	Tiempo en pantalla (min.)	Detección de carga	Movimiento de lavado	Temperatura lavado/enjuague	Velocidad de centrifugado	Nivel de suciedad	Ac-cela-Wash	Añadir vapor	Prelavado	Enjuague extra	Inicio Demo-rado	Man-tener Fres-co	Remojo autom-ático	Ahorrar Energía +
Normal/ Casual	Algodón, lino, toallas, camisetas, sábanas, jeans, cargas mixtas.	26-53	Sí	Sí	Templada	Alta	Normal								
					Extra Caliente	Extra alta	Alto								
					Caliente Fría Grifo Fría	Media Baja Sin	Bajo								
Heavy Duty (muchasuciedad)	Prendas de algodón muy sucias.	74-131	Sí	Sí	Templada	Extra alta	Alto								
					Caliente	Alta	Normal								
					Fría Grifo Fría	Media Baja Sin	Bajo								
Whitest whites (blancos más blancos)	Prendas blancas de algodón con suciedad normal a mucha suciedad.	66-76	Sí	Sí	Caliente	Alta	Normal								
					Templada	Extra alta	Alto								
					Fría Grifo Fría	Media Baja Sin centrifugado	Bajo								
Bulky (Voluminosas)	Prendas grandes como cobertores y edredones.	56	No	Sí	Templada	Media	Normal								
					Caliente	Baja	Alto								
					Fría Grifo Fría	Sin centrifugado	Bajo								
Comforter (Colchas)	Colchas, almohadas, camisas.	56	Sí	Sí	Templada	Alta	Normal								
					Caliente	Media	Alto								
					Fría Grifo Fría	Baja Sin centrifugado	Bajo								
Kids Wear (Ropa infantil)	Diseñado específicamente para limpiar y enjuagar bien la ropa infantil específicamente para limpiar y enjuagar bien la ropa infantil.	86-96	Sí	Sí	Caliente	Alta	Alto								
					Templada	Extra alta	Normal								
					Fría Grifo Fría	Media Baja Sin centrifugado	Bajo								
Rugged (Fuerte)	Muy sucia objetos duros y gruesos, como los pantalones vaqueros y ropa de trabajo de la construcción.	99-132	Sí	Sí		Alta									
						Extra alta									
						Media Baja Sin centrifugado									

***CERTIFIED BY NSF :** NSF International (anteriormente, National Sanitation Foundation, Fundación Nacional de Saneamiento), certifica que este ciclo de lavado reduce el 99,9% de bacterias en la colada a través de la alta temperatura, cuando se utiliza con detergente en polvo.



NOTA:

- Para proteger sus prendas, no todas las temperaturas de lavado/enjuague, velocidades de centrifugado, niveles de suciedad y opciones están disponibles para todos los ciclos. Sonará un aviso sonoro y el LED no se iluminará si no se permite una determinada selección.
- La lavadora ajustará de forma automática el tiempo de lavado para la cantidad de ropa para lavar, presión del agua, tiempo de calentamiento del agua y demás condiciones de funcionamiento.
- Estos ciclos utilizan diferentes movimientos de lavado para optimizar el rendimiento de la limpieza o el cuidado de las prendas. Los movimientos de lavado pueden sonar de forma distinta en las diferentes fases del ciclo de lavado. Esto es normal.
- El tamaño de la carga recomendada para el ciclo sanitario es de 10 lbs.
- Cuando la opción Accele-lavado se selecciona, el tambor gira para enjuagar la ropa. Para utilizar la opción eliminación de centrifugado, se debe anular la selección de la opción de Accele-lavado.



GUÍA DE CICLOS (continuado)

La siguiente guía de ciclos muestra los ajustes predeterminados, así como las opciones disponibles y los tipos de tejidos recomendados para cada ciclo. Debajo del ajuste predeterminado para cada ciclo, se muestran los ajustes modificadores permitidos.

● = Opción disponible

■ = Ajuste predeterminado

Ciclo	Tipo de tejido o de carga	Tiempo en pantalla (min.)	Detección de carga	Movimiento de lavado	Temperatura lavado/enjuague	Velocidad de centrifugado	Nivel de suciedad	Ac-cela-Wash	Añadir vapor	Prelavado	Enjuague extra	Inicio Demorado	Man-tener Fresco	Remojo autom-ático	Ahorrar Energía +
Sanitize (Desinfección)	Prendas muy sucias, como ropa de trabajo, pañales, etc.	110-120	Sí	Sí	Extra Caliente	Alta	Normal								
						Extra alta Media Baja Sin centrifugado	Alto Bajo	●	●	●	●	●	●	●	
Workout Wear (Ropa deportiva)	Prendas de planchado permanente y sintéticas.	57	No	Sí	Templada	Media	Normal								
					Fría Grifo Fría	Baja Sin centrifugado	Alto Bajo		●	●	●	●			
Delicates (Prendas delicadas)	Blusas de vestir y camisas de etiqueta, nylons, prendas con encajes o muy finas.	41	No	Sí	Fría	Media	Normal								
					Templada Grifo Fría	Baja Sin centrifugado	Alto Bajo		●	●	●	●	●		
Small Load (Pequeña carga)	Carga de suciedad normal y pequeños.	45	Sí	Sí	Templada	Alta	Normal								
					Caliente Fría Grifo Fría	Extra alta Media Baja Sin centrifugado	Alto Bajo		●	●	●	●			
Express Wash (Lavado exprés)	Ropa con poca suciedad y cargas pequeñas.	15	No	Sí	Caliente	Extra alta	Bajo								
					Templada Fría Grifo Fría	Alta Media Baja Sin centrifugado	Normal Alto	●		●	●	●			
Cold Clean (Limpieza en frío)	Pequeñas cargas de algodón, lino, toallas, camisetas, sábanas, jeans, cargas mixtas.	73-82	Sí	Sí	Fría	Alta	Normal								
					Grifo Fría	Extra alta Media Baja Sin centrifugado	Bajo		●	●	●	●	●		
Rinse and Spin (Enjuagar y centrifugar)	Cargas que sólo necesitan enjuague.	18	No	No	Fría	Alta	N/A								
						Extra alta Media Baja Sin centrifugado			●	●	●				

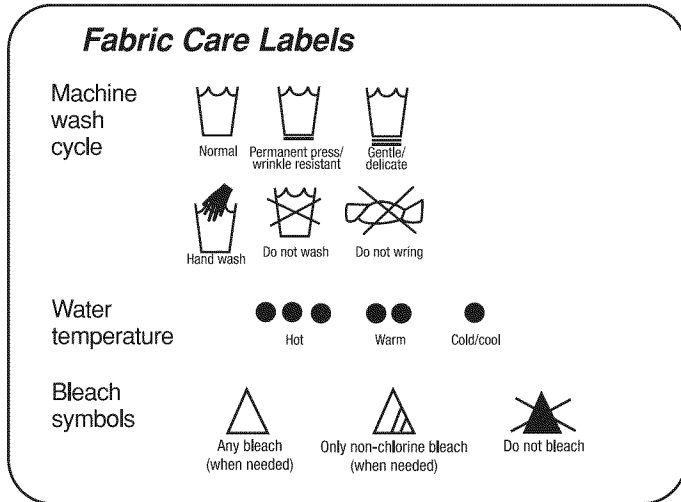
NOTA:

- Para proteger sus prendas, no todas las temperaturas de lavado/enjuague, velocidades de centrifugado, niveles de suciedad y opciones están disponibles para todos los ciclos. Sonará un aviso sonoro y el LED no se iluminará si no se permite una determinada selección.
- La lavadora ajustará de forma automática el tiempo de lavado para la cantidad de ropa para lavar, presión del agua, tiempo de calentamiento del agua y demás condiciones de funcionamiento.
- Estos ciclos utilizan diferentes movimientos de lavado para optimizar el rendimiento de la limpieza o el cuidado de las prendas. Los movimientos de lavado pueden sonar de forma distinta en las diferentes fases del ciclo de lavado. Esto es normal.
- El tamaño de la carga recomendada para el ciclo sanitario es de 10 lbs.
- Cuando la opción Accela-lavado se selecciona, el tambor gira para enjuagar la ropa. Para utilizar la opción eliminación de centrifugado, se debe anular la selección de la opción de Accela-lavado.

CLASIFICACIÓN DE CARGAS DE LAVADO

Etiquetas de cuidado de las prendas

Muchas prendas de vestir incluyen una etiqueta de cuidado de la prenda. Utilice el siguiente diagrama para ajustar el ciclo y las opciones para cuidar la prenda de acuerdo con las recomendaciones del fabricante.



Agrupación de prendas similares

Para obtener los mejores resultados al lavar y reducir las posibilidades de dañar las prendas, es necesario tener cuidado a la hora de clasificar la ropa en coladas formadas por prendas similares. Si se mezclan diferentes tipos de tejidos o niveles de suciedad, el rendimiento del lavado se verá degradado, y podrían producirse transferencias de color o decoloraciones, daños en los tejidos o formación de pelusas en las prendas. Los tejidos se deben clasificar en grupos tal como se describe a continuación.

Colores

Clasifique las prendas por color. Las prendas oscuras juntas en una carga separada de las prendas blancas o de colores claros. Mezclar prendas oscuras con prendas claras puede dar como resultado el tinte o la decoloración de las prendas más claras.

Nivel de suciedad

Lave la ropa muy sucia junta. Si se lava ropa que no está muy sucia en la misma colada que la ropa muy sucia, es muy posible que la ropa con poca suciedad no se lave bien.

Tipo de tejido

Las prendas delicadas no se deben mezclar con prendas más pesadas y resistentes. Lavar prendas delicadas junto con tejidos pesados puede causar daños en las prendas más delicadas. Si se lavan prendas pesadas en una carga de ropa delicada, puede resultar que la ropa pesada no se lave correctamente y que se produzcan daños en las prendas delicadas.

Tipo de pelusas

Algunos tejidos atraen las pelusas mientras que otros sueltan pelusas en el proceso de lavado. Evite mezclar prendas recolectoras de pelusas con prendas generadoras de pelusas en la misma carga. Si mezcla estos dos tipos de tejidos, se formarán bolas y pelusas en las prendas recolectoras de pelusas. (Por ejemplo, recolector de pelusas: buzo de tejido o punto; productor de pelusas: toalla de felpa).

Carga de la lavadora

- Compruebe que todos los bolsillos están vacíos. Objetos como clips, cerillas, bolígrafos, monedas y llaves pueden dañar tanto la lavadora como las prendas.
- Cierre cremalleras, broches y cordones para evitar enganches o enredos en otras prendas.
- Aplique un tratamiento previo a las áreas muy sucias para mejorar el resultado.
- Mezcle prendas grandes y pequeñas en la misma carga. Cargue primero las prendas grandes.
- Las prendas grandes no deben ocupar más de la mitad de la carga total de la colada.
- La tina no debe estar abarrotada con prendas. La puerta de la lavadora se debería cerrar con facilidad.
- Para evitar una colada desequilibrada, no lave prendas únicas. Agregue una o dos prendas similares a la colada. Las prendas grandes y voluminosas, como los cobertores, edredones o colchas, deberían lavarse individualmente.
- No lave ni centrifugue prendas impermeables, como gabardinas, bolsas de dormir, etc.
- Al retirar la carga de la lavadora, compruebe bajo la junta de la puerta que no haya prendas pequeñas.

NOTA: Asegúrese de que el área de la junta de la puerta está despejada cuando cierre la puerta. La carga excesiva de la lavadora puede hacer que se queden prendas atrapadas entre la puerta y la junta. Esto puede dañar tanto las prendas como la junta.



- **NO SOBRECARGUE LA TINA**
- **ASEGÚRESE DE QUE NO EXISTAN PRENDAS ATRAPADAS EN LA JUNTA DE LA PUERTA**

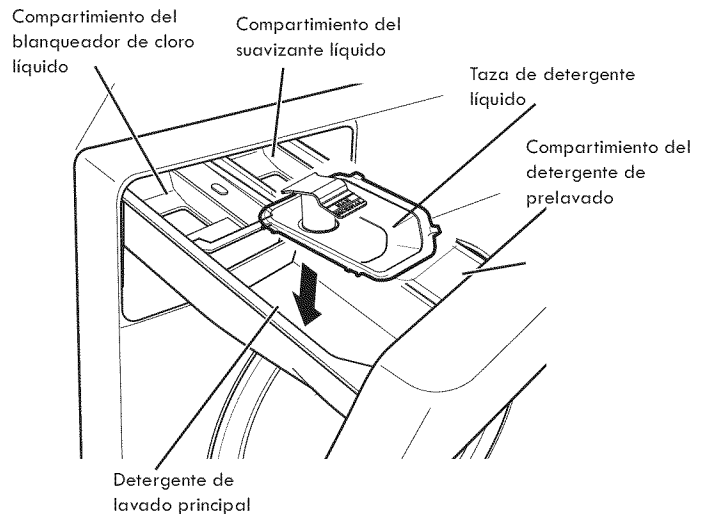
Clasificación de las prendas...

Por colores	Por nivel de suciedad	Por tejido	by Lint (Por pelusas)
Whites (blancas)	Alto	Delicates (Prendas delicadas)	Generador de pelusas
Lights (Claros)	Normal	Easy care (No delicadas)	Colector de pelusas
Darks (Oscuras)	Bajo	Sturdy (Fuerte)	

ACERCA DE LA GAVETA DEL DISPENSADOR

El dispensador automático está compuesto de cuatro compartimientos que contienen:

- Blanqueador con cloro líquido.
- Suavizante líquido.
- Detergente líquido o en polvo para prelavado.
- Detergente líquido o en polvo y blanqueador con protector de color líquido para el lavado principal.



Compartimiento de detergente del prelavado

Agregue detergente líquido o en polvo a este compartimiento cuando utilice la opción de prelavado. Utilice siempre detergente de alta eficiencia (HE) con su lavadora.

La cantidad de detergente agregada para la opción de prelavado debe ser $\frac{1}{2}$ la cantidad recomendada para el ciclo de lavado principal. Por ejemplo, si el ciclo de lavado principal requiere $\frac{1}{2}$ medida de detergente, agregue $\frac{1}{4}$ medida al compartimiento de prelavado.

NOTA: Si utiliza el detergente líquido para el lavado principal con la opción de prelavado, se debe utilizar la taza incluida de detergente líquido en el dispensador del lavado principal. Esto evitará que el detergente líquido del lavado principal se dispense de inmediato.

Compartimiento del detergente del lavado principal

Este compartimiento contiene el detergente para el ciclo principal del lavado. El detergente se agrega a la carga al principio del ciclo. Utilice siempre detergente de alta eficiencia (HE) con su lavadora. Se puede usar tanto detergente líquido como en polvo.

Al agregar el detergente, **nunca** exceda las recomendaciones del fabricante. Si usa demasiado detergente, puede suceder que en lugar de diluirse se acumule en la ropa y en la lavadora.

NOTA: Se puede agregar el blanqueador con protector de color líquido o en polvo al compartimiento de lavado principal con el detergente del mismo tipo. No agregue blanqueador con protector de color líquido o en polvo al dispensador de blanqueador. **NO** mezcle agentes de limpieza líquidos y en polvo dentro del mismo compartimiento.

Compartimiento del blanqueador (agua lavandina / lejía / cloro / agua de Javel)

Este compartimiento contiene el blanqueador de cloro líquido, que se dispensará de forma automática en el momento adecuado durante el ciclo de lavado.

- No agregue blanqueador con protector de color líquido o en polvo a este compartimiento. El compartimiento del blanqueador está diseñado para dispensar únicamente blanqueador de cloro líquido. El blanqueador con protector de color líquido o en polvo no se dispensará correctamente.
- Al agregar el blanqueador, respete siempre las recomendaciones del fabricante. No exceda la línea de llenado máximo ya que esto puede hacer que se dispense el cloro de inmediato y éste cause daños a los tejidos. Usar demasiado blanqueador puede dañar los tejidos.
- Nunca vierta el blanqueador de cloro líquido sin diluir directamente en la carga o dentro de la tina. Se pueden producir daños en el tejido.

Compartimiento del suavizante

Este compartimiento contiene el suavizante líquido, que se dispensará de forma automática durante el ciclo de enjuague final.

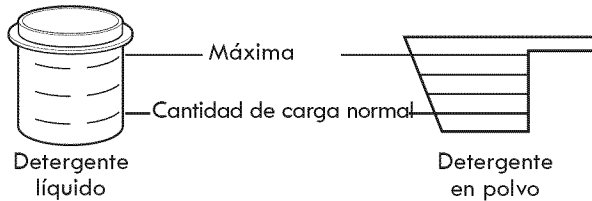
Al agregar el suavizante, nunca exceda las recomendaciones del fabricante. Si usa demasiado suavizante, puede suceder que en lugar de diluirse se acumule en la ropa y en la lavadora. Se puede usar tanto suavizante líquido como en polvo.

- Al agregar el suavizante, respete siempre las recomendaciones del fabricante. No exceda la línea de llenado máximo. El uso de demasiado suavizante puede manchar las prendas.
- Diluya el suavizante concentrado con agua templada. No exceda la línea de llenado máximo.
- Nunca vierta el suavizante directamente en la carga o dentro de la tina.

USO DEL DETERGENTE Y DEL DISPENSADOR

Unas palabras sobre los detergentes

Los detergentes de alta eficiencia (HE) generan menos espuma y se disuelven más eficazmente para mejorar el rendimiento del lavado y del enjuague, además de ayudar a mantener limpio el interior de la lavadora. Usar un detergente que no es de alta eficiencia puede provocar un exceso de espuma y un rendimiento poco satisfactorio que podrían dar como resultado códigos erróneos, errores de ciclo y daños a la máquina.



Para un rendimiento adecuado del lavado, mida siempre el detergente usando las medidas que proporciona el fabricante del detergente.

La cantidad normal de detergente HE necesaria, para las cargas habituales, es menos de la $\frac{1}{2}$ del máximo recomendado. **Use menos detergente si** el agua es blanda, la ropa tiene poca suciedad o las cargas son pequeñas. **Nunca** use más de la cantidad máxima recomendada por el fabricante del detergente.



Diseñado para usar sólo detergente de alta eficiencia (HE)

IMPORTANTE: Su lavadora está diseñada para su uso exclusivo con detergentes de alta eficiencia (HE). Los detergentes de alta eficiencia están formulados específicamente para lavadoras de carga frontal y contienen agentes reductores de espuma. Cuando compre detergente, busque siempre el símbolo HE, de alta eficiencia.

IMPORTANTE: No todos los detergentes son iguales. Tenga cuidado con la cantidad de detergente que use para evitar un uso excesivo, un mal enjuague y la acumulación de detergente en la ropa, además, la acumulación de residuos puede contribuir a la aparición de olores en la máquina. **NUNCA** use un recipiente o una bola distinta de la suministrada por el fabricante del detergente que está usando. Nunca use más de la cantidad máxima de detergente recomendada por el fabricante.

Mida siempre la cantidad de detergente. Si bien los detergentes de alta eficiencia están diseñados para este tipo de lavadora, tenga cuidado al medir el detergente. Para la mayoría de coladas normales, se debe usar entre $\frac{1}{4}$ y $\frac{1}{2}$ del recipiente o bola del detergente de alta eficiencia.

NOTA: Debe tener un extremo cuidado cuando use detergentes concentrados **2X** y **3X**, ya que incluso muy poca cantidad más puede contribuir a la aparición de los problemas antes mencionados.

NOTA: Es posible que los detergentes denominados como compatibles con alta eficiencia no proporcionen resultados óptimos.

Llenado del dispensador

Para agregar detergente, blanqueador y suavizante al dispensador automático:

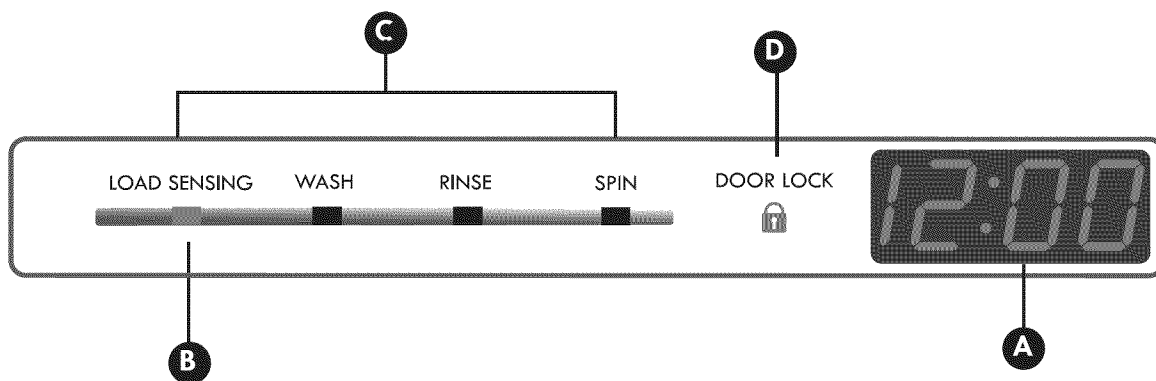
- 1 Abra la gaveta del dispensador.
- 2 Cargue los productos de lavado en el compartimiento adecuado.
- 3 Cierre la gaveta antes de comenzar el ciclo.

NOTA: Es normal que al finalizar el ciclo haya una pequeña cantidad de agua en los compartimientos del blanqueador y del suavizante.

IMPORTANTE: No coloque ni almacene productos de lavado, como detergente, blanqueador o suavizante líquido, encima de la lavadora o la secadora. Seque los derrames inmediatamente. Estos productos pueden dañar la pintura y los controles.

PANTALLA DE TIEMPO Y ESTADO

La pantalla de tiempo y estado muestra el tiempo restante estimado, el progreso del ciclo y el estado de bloqueo de la puerta.



A TIEMPO ESTIMADO RESTANTE

Cuando se presiona el botón START/PAUSE (INICIAR/PAUSAR), la lavadora detectará automáticamente el tamaño de la carga para los ciclos que utilizan la detección de carga. Luego el control optimizará los tiempos de lavado y enjuague, según el ciclo, modificadores y opciones seleccionados. Cuando se haya determinado el tamaño de la carga, la pantalla cambiará de guiones (- -) al tiempo estimado para ese ciclo. Para los ciclos de detección sin carga, el tiempo estimado aparecerá cuando se haya seleccionado el ciclo.

NOTA:

- El tiempo que se muestra es sólo una estimación. Por ejemplo, el tiempo que aparece puede detenerse por un período de tiempo mientras la lavadora calienta el agua o equilibra la carga. Bajo ciertas condiciones, la lavadora puede hacer una pausa durante largos períodos de tiempo.
- Este tiempo está calculado en base a condiciones normales de funcionamiento. Algunos factores externos (tamaño de la carga, temperatura de la habitación, temperatura del agua entrante, etc.) pueden afectar al tiempo real.

B INDICADOR DE DETECCIÓN DE CARGA

Al inicio de los ciclos que usan la función de detección de carga, la luz de DETECCIÓN DE CARGA parpadeará mientras se mide el tamaño de la carga. Una vez determinado el tamaño, el control ajusta el ciclo para un rendimiento óptimo. El tiempo estimado restante no se mostrará hasta que se haya determinado el tamaño de la carga, y puede ser diferente para cada carga.

C INDICADOR DE ESTADO DEL CICLO

Estos indicadores LED de estado se iluminan para indicar cuál fase del ciclo está en funcionamiento actualmente. Una luz intermitente indica la fase activa del ciclo. Cuando se haya completado esta fase, la luz se mantendrá estable.

D INDICADOR DE BLOQUEO DE PUERTA

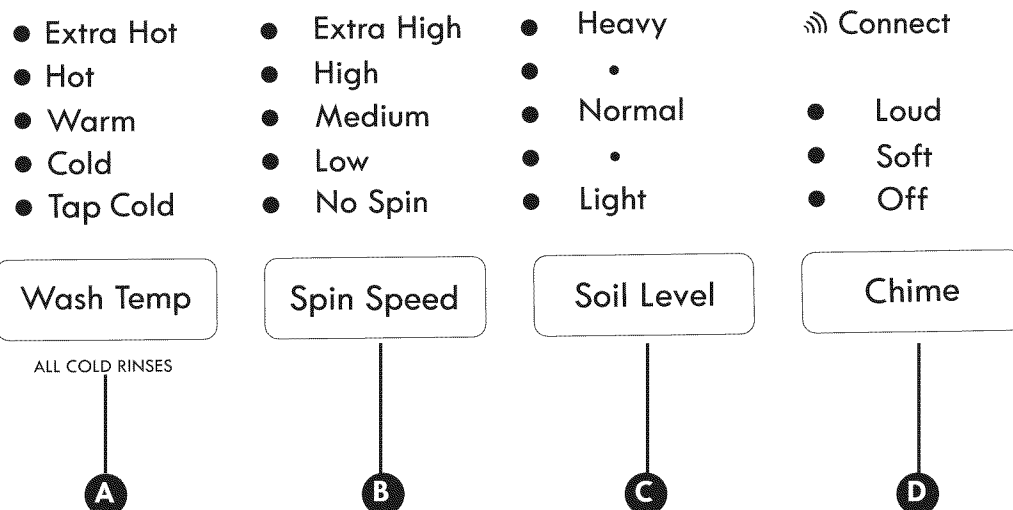
Indica que la puerta está bloqueada. La puerta de la lavadora se mantendrá bloqueada mientras la lavadora esté funcionando. La puerta se puede desbloquear pulsando START/PAUSE (INICIAR/PAUSAR) para detener la lavadora.

NOTA:

- Si la temperatura en la lavadora es demasiado alta, la puerta no se desbloqueará hasta que la lavadora se haya enfriado.
- Si el nivel de agua es muy alto, la puerta no se desbloqueará. Para drenar el agua, presione POWER, luego presione el botón SPIN SPEED sin seleccionar un ciclo. Presione START/PAUSE (INICIAR/PAUSAR) y se drenará el agua y comenzará el centrifugado de la ropa. No intente forzar la puerta, ya que esto dañará la puerta.

BOTONES MODIFICADORES DE CICLO

Cada ciclo dispone de ajustes predeterminados que se seleccionan automáticamente. También puede personalizar estos ajustes utilizando los botones modificadores de ciclo. Presione el botón del modificador deseado hasta que se prenda la luz indicadora del ajuste deseado. La lavadora ajustará de forma automática el nivel de agua para el tipo y tamaño de la carga que lavar para obtener los mejores resultados y la máxima eficiencia. Debido a la naturaleza de alta eficiencia de este producto, los niveles de agua pueden ser mucho menores de lo esperado. Esto es normal y el rendimiento de la limpieza y el enjuague no se verá afectado.



A WASH (LAVAR)

Wash selecciona la combinación de temperaturas de lavado y enjuague para el ciclo seleccionado. Presione el botón Wash hasta que se prenda la luz del indicador para el ajuste deseado.

- Su lavadora incluye un elemento de calefacción para aumentar la temperatura de agua caliente para los ajustes de extra caliente. Esto proporciona un mejor rendimiento de lavado con la configuración normal del calentador de agua.
- Seleccione la temperatura del agua deseable para el tipo de carga que va a lavar. Para obtener los mejores resultados, siga las instrucciones de las etiquetas de cuidado de las prendas.
- Los enjuagues templados dejan la ropa más seca que los enjuagues fríos, pero consumen más energía y la ropa queda más arrugada.
- Los enjuagues fríos usan menos energía. La temperatura real del enjuague frío depende de la temperatura del agua fría de la llave.

B SPIN SPEED (velocidad de centrifugado)

Las velocidades de centrifugado más altas extraen más agua de la ropa, lo que reduce el tiempo de secado y ahorran energía.

Presione el botón SPIN SPEED hasta que seleccione la velocidad deseada. Algunas telas, como las prendas delicadas, requieren una velocidad de centrifugado más lenta. Para proteger su ropa, no todas las velocidades de centrifugado están disponibles para todos los ciclos.

Ciclo Drain & Spin (Drenar y Centrifugar):

1. Presione el botón POWER para prender la lavadora.
2. Presione el botón SPIN SPEED (VELOCIDAD DE CENTRIFUGADO) para seleccionar la velocidad de centrifugado deseada. Para drenado solamente, seleccione la opción NO SPIN (sin centrifugado).
3. Presione el botón START/PAUSE. El agua drenará y la ropa girará antes de que se inicie la rutina de centrifugado.

C SOIL LEVEL (nivel de suciedad)

El ajuste de la configuración del nivel de suciedad modificará el ciclo para agregar más tiempo para la ropa muy sucia o menos tiempo para la poco sucia. Presione el botón SOIL LEVEL hasta que seleccione el nivel de suciedad deseado.

D AVISO SONORO

Presiónelo repetidas veces para ajustar el volumen del aviso sonoro. Puede ACTIVAR o DESACTIVAR el aviso sonoro de fin de ciclo y los tonos del teclado con el botón CHIME (AVISO SONORO).

CICLOS DE VAPOR Y BOTONES DE OPCIÓN

La lavadora incluye varias opciones adicionales para adaptar los ciclos a sus necesidades particulares.

- 1 Prenda la lavadora (posición ON) y gire la perilla del selector para seleccionar el ciclo deseado.
- 2 Use los botones modificadores de ciclo para configurar los ajustes para ese ciclo.
- 3 Presione los botones de opción de ciclo para las opciones que desee agregar. El botón se prenderá cuando seleccione la opción. Para las funciones secundarias, mantenga presionado el botón por tres segundos. La luz LED parpadeará cuando se seleccione la opción secundaria. No se pueden seleccionar ambas opciones al mismo tiempo.
- 4 Si la opción seleccionada no se permite para el ciclo, el aviso sonará dos veces para alertarle y el LED no se iluminará.
- 5 Presione el botón START/PAUSE para iniciar el ciclo. Después de una breve demora, la puerta se bloqueará y el ciclo se iniciará.

NOTA: Para proteger sus prendas, no todas las opciones están disponibles en todos los ciclos.

NOTA: Si no se presiona el botón START/PAUSE dentro de cuatro minutos, el control se apagará y los ajustes se perderán.

Opción AÑADIR VAPOR



Los ciclos de VAPOR incluyen (Renovar con vapor), Normal, Bulky/Bedding (Prendas voluminosas y de cama), ropa infantil, Heavy Duty (Mucha suciedad), Sanatize y Whitest Whites (Blancos más blancos).

Al añadir vapor a estos ciclos, se obtiene un rendimiento de limpieza mayor al mismo tiempo que reduce el consumo de energía y agua. Con el uso de un rocío de vapor caliente y agua fría, los tejidos obtienen los beneficios de un lavado súper caliente, sin el uso de energía o daño potencial a los tejidos.

Para AÑADIR VAPOR a un ciclo:

- 1 Prenda la lavadora (posición ON) y gire la perilla del selector para seleccionar un ciclo que permita la opción de vapor.
- 2 Presione el botón AÑADIR VAPOR. La lavadora establecerá automáticamente los ajustes de ciclo.
- 3 Ajuste cualquier otra opción deseada.
- 4 Presione el botón START/PAUSE para que comience el ciclo.

NOTA:

La puerta puede estar muy caliente durante los ciclos de vapor. Esto es normal.

No intente anular el mecanismo de cierre de la puerta o meter las manos en la lavadora durante un ciclo de vapor. El vapor puede ocasionar graves quemaduras.

NOTAS IMPORTANTES SOBRE LOS CICLOS DE VAPOR:

- El vapor puede no ser visible durante los ciclos de vapor. Esto es normal.
- No utilice vapor con tejidos delicados como la lana, seda o telas que se descoloran fácilmente.

DELAY START (INICIO DEMORADO)



Una vez que haya seleccionado el ciclo y otros ajustes, presione este botón para demorar el inicio del ciclo de lavado. Cada vez que se presiona el botón, aumenta el tiempo de demora en una hora, hasta 19 horas. Una vez que se establezca el tiempo de demora, presione el botón START/PAUSE para comenzar el tiempo de demora.

EXTRA RINSE (enjuague extra)



Esta opción agregará un enjuague extra al ciclo seleccionado. Use esta opción para asegurarse de la total eliminación de los residuos de detergentes o blanqueadores de las telas.

ACCELA-WASH



La opción Accela-Wash utiliza doble rocío de agua e inyección de detergente lo que reduce el tiempo del ciclo, manteniendo el rendimiento del lavado en un ciclo normal

DRUM LIGHT



El tambor está equipado con una luz LED azul que se ilumina cuando la lavadora es encendida. La luz de apaga automáticamente cuando la puerta se cierra y el ciclo inicia.

Para encender la luz durante el ciclo, presione y mantenga sostenido el botón de EXTRA RINSE (Extra enjuague) durante tres segundos. La luz del tambor se iluminará y luego se apagará automáticamente después de cuatro minutos.

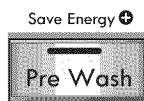
NOTA: La ropa y la junta puede parecer amarillo debido a luces de la lámpara, pero es normal.

STAY FRESH (MANTENER FRESCO)



Esta función ayuda a evitar que las arrugas se fijen en la ropa y ayuda a mantenerla fresca si no se retiran de la lavadora tan pronto como haya finalizado el ciclo. Presione el botón STAY FRESH (MANTENER FRESCO) para girar la ropa de manera intermitente y hacer circular aire fresco por la tina hasta por ocho horas. Presione el botón POWER (ENCENDER) o el botón START/PAUSE (INICIAR/PAUSAR) para retirar la ropa en cualquier momento.

PRE-WASH (PRELAVADO)



Seleccione esta opción para agregar un prelavado de 15 minutos, ciclo de enjuague y centrifugado al ciclo seleccionado. Esto es especialmente útil para las prendas muy sucias. Para utilizar la función Pre-Wash (Prelavado), mantenga presionado el botón SAVE ENERGY (AHORRAR ENERGÍA) por cinco segundos.

FUNCIONES ESPECIALES

CONTROL LOCK (bloqueo de los controles)



Utilice esta opción para deshabilitar los controles. La lavadora sólo se puede bloquear durante un ciclo. Esta función impide que los niños cambien los ciclos o manejen la máquina. Una vez activado, los controles permanecen bloqueados y es necesario DESACTIVAR el

bloqueo de los controles antes de poder utilizar los controles nuevamente. Una vez apagada la lavadora, el botón de alimentación permitirá prender la máquina, pero los controles continuarán bloqueados. Si los controles están bloqueados, se iluminará el LED de CONTROL LOCK y en la pantalla se alternarán las letras "CL" con el tiempo del ciclo estimado. Mantenga presionado el botón CONTROL LOCK por tres segundos para activar o desactivar los controles.

CLEAN WASHER (limpiar lavadora)



Los residuos de detergente pueden acumularse en la tina de lavado con el tiempo y pueden producir un olor a moho o a humedad. El ciclo CLEAN WASHER está especialmente diseñado para eliminar esta acumulación usando blanqueador u otro limpiador

diseñado específicamente para la limpieza de lavadoras de carga frontal. Utilice el ciclo CLEAN WASHER una vez al mes, o más a menudo en condiciones de uso intensivo, o si advierte la presencia de olores.

- 1 Encienda la lavadora y presione el botón ACCELA-WASH. La selección de cualquier otro ciclo después de haber seleccionado CLEAN WASHER hará que se cancele el ciclo CLEAN WASHER.
- 2 Rellene el dispensador de blanqueador hasta la línea MAX con blanqueador con cloro líquido. No sobrellene el dispensador de blanqueador. El sobrellenado puede causar que el blanqueador se dispense inmediatamente.

NOTA: Para otros productos de limpieza de tinajas, siga las instrucciones y recomendaciones del fabricante del limpiador. Agregue los productos de limpieza en polvo al compartimiento de lavado principal de la gaveta del dispensador. Coloque los limpiadores en tabletas directamente en la tina.

- 3 Presione el botón START/PAUSE para que comience el ciclo.
- 4 Cuando finalice el ciclo, abra la puerta y deje que el interior de la tina se seque completamente.

NOTA: NO use este ciclo con ropa y NO agregue detergente ni suavizante.

MY CYCLE (mi ciclo)



El botón MY CYCLE le permite guardar un ciclo de lavado personalizado para utilizarlo en otro momento. De esta manera, podrá guardar sus ajustes favoritos de temperatura, velocidad de centrifugado, nivel de suciedad y demás opciones para un ciclo y, más adelante, recuperarlos con sólo presionar un botón.

NOTA: Sólo puede guardar los ajustes personalizados para un ciclo a la vez. Al mantener presionado el botón MY CYCLE, se sobrescribirá cualquier ciclo previamente guardado.

Para guardar UN CICLO personalizado:

- 1 Presione el botón POWER para prender la lavadora.
- 2 Gire la perilla del selector de ciclo para seleccionar el ciclo que desee.
- 3 Presione el botón de MODIFICADOR DE CICLO para cambiar el ajuste deseado.
- 4 Presione el botón de OPCIÓN DE CICLO para agregar las opciones deseadas.
- 5 Mantenga presionado el botón MY CYCLE.

Para recuperar UN CICLO personalizado:

- 1 Presione el botón POWER para prender la lavadora.
- 2 Presione el botón MY CYCLE. Se mostrarán los ajustes almacenados.
- 3 Presione el botón START/PAUSE para que comience el ciclo.

NOTA: El ciclo personalizado se puede ajustar de la misma manera que cualquier otro ciclo. No obstante, una vez que se presiona cualquier otro botón, el LED se apagará para indicar que los ajustes ya no coinciden exactamente con los del ciclo personalizado.

AUTO SOAK (REMOJO AUTOMÁTICO)

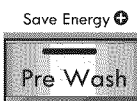


Use la opción AUTO SOAK para remojar previamente las prendas con el fin de eliminar las manchas difíciles de las prendas. Esta opción proporciona un remojado previo de 30 minutos antes de que comience el ciclo seleccionado. Al

final del tiempo de remojo previo, el ciclo seleccionado utilizará la misma agua.

Para utilizar la función AUTO SOAK (REMOJO AUTOMÁTICO), mantenga presionado el botón DELAY START (INICIO DEMORADO) durante cinco segundos.

SAVE ENERGY (ahorrar energía)



Esta opción ahorra energía usando agua más fría a la vez que aumenta los tiempos de lavado y enjuague para mantener el rendimiento de lavado. Esta función sólo está disponible con los ciclos

NORMAL/CASUAL y HEAVY DUTY tal como se indica a continuación.

- NORMAL – Caliente se Templada
- NORMAL – Templada se Fría
- HEAVY DUTY (mucho suciedad) – Caliente se Templada

⚠️ ADVERTENCIA: Para reducir el riesgo de incendio, descarga eléctrica o lesiones personales, lea y cumpla completamente este manual de uso y cuidado, incluyendo las instrucciones importantes sobre seguridad, antes de poner en funcionamiento la lavadora.

- **Desenchufe la lavadora antes de proceder a su limpieza para evitar posibles descargas eléctricas.** Si no se sigue esta advertencia, podrían ocasionarse riesgos de lesiones graves, incendio, descarga eléctrica o, incluso, muerte.
- **No utilice nunca productos químicos fuertes, limpiadores abrasivos o disolventes para limpiar la lavadora.** Dañarán el acabado.

LIMPIEZA REGULAR

Limpieza del exterior

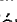
Unos cuidados adecuados prolongarán la vida útil de la lavadora. Puede limpiar el exterior de la máquina con agua caliente y un detergente doméstico suave y no abrasivo.

Limpie inmediatamente cualquier derrame con un paño suave y húmedo.

IMPORTANTE: No utilice alcoholes de limpieza, disolventes ni productos similares. No utilice nunca lana metálica ni limpiadores abrasivos; pueden dañar la superficie.

Cuidado y limpieza del interior

Use una toalla o paño suave para limpiar alrededor de la apertura de la puerta de la lavadora, la junta de la puerta y vidrio de la puerta. Se deben mantener estas áreas limpias para asegurar una junta hermética. Asegúrese de limpiar debajo de la junta de goma interior para eliminar cualquier humedad o suciedad.

Siempre saque las prendas de la lavadora en cuanto se complete el ciclo. Dejar prendas húmedas en la lavadora puede ocasionar la aparición de arrugas, transferencias de color y olores. Utilice el ciclo CLEAN WASHER  una vez al mes, o más a menudo si es necesario, para eliminar la acumulación de detergente y demás residuos.

Limpiar Lavadora

- 1 Saque toda la ropa de la tina.
- 2 Abra la gaveta del dispensador.
- 3 Agregue blanqueador con cloro líquido u otro limpiador de tina diseñado específicamente para limpiar lavadoras de carga frontal.
 - **Si usa blanqueador con cloro líquido**
Agregue blanqueador con cloro líquido al compartimiento de la gaveta. (NOTA: No exceda la línea de llenado máximo y no agregue blanqueador líquido sin diluir directamente en la tina de lavado.)
 - **Si utiliza limpiador en polvo**
Retire la taza de detergente líquido y agregue el limpiador en polvo al compartimiento de lavado principal de la gaveta del dispensador.
 - **Si usa un limpiador en tabletas**
Agregue el limpiador en tableta a la tina de lavado directamente.

NOTA:

- No ingrese el limpiador en tabletas en la gaveta del dispensador.
- No agregue detergente ni suavizante a la gaveta del dispensador cuando use la opción CLEAN WASHER .

- 4 ENCIENDA la lavadora y pulse el botón ACCELA-WASH (TRATAMIENTO DE MANCHAS), y el indicador LED de tratamiento de manchas parpadeará. La selección de cualquier otro ciclo después de haber seleccionado CLEAN WASHER hará que el ciclo CLEAN WASHER sea cancelado.
- 5 Después de que finalice el ciclo, abra la puerta y permita que la tina interior se seque por completo.

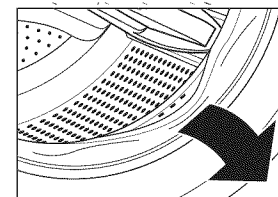
NOTA: Utilice el ciclo de limpieza de la lavadora una vez al mes. Si percibe olor a humedad o moho, utilice el ciclo de limpieza de la lavadora una vez a la semana durante tres semanas consecutivas.

Limpieza de la junta de la puerta y vidrio

Debido a la ubicación y naturaleza de la junta de la puerta, se puede acumular un poco de detergente y residuos en el vidrio de la puerta y la junta. La limpieza periódica con una solución de cloro puede ayudar a eliminar la acumulación y manchas, y puede ayudar a desinfectar la junta para evitar malos olores.

NOTA: Utilice guantes de goma y protector para los ojos al realizar el siguiente procedimiento:

- 1 Diluya $\frac{3}{4}$ de taza (177 ml) de blanqueador con cloro líquido en 3,8 litros (1 galón) de agua templada/caliente.
- 2 Utilice esta solución para limpiar todas las superficies de la junta y el vidrio de la puerta para quitar cualquier acumulación. Asegúrese de plegar la tapa de la junta para limpiar por debajo del borde interno donde pueden acumularse residuos.)
- 3 Seque la junta y el vidrio con un paño.
- 4 Para permitir que la junta se seque por completo, no cierre la puerta por completo, sólo ciérrela con el imán de la misma.



NOTA:

- Siga las instrucciones del fabricante para el uso adecuado del cloro.
- Para evitar dañar la junta, NUNCA utilice blanqueadores sin diluir para limpiarla.

Eliminación de la acumulación de minerales

Si vive en una zona donde el agua es dura, se pueden formar depósitos de minerales en los componentes internos de la lavadora. Se recomienda usar un descalcificador en zonas con agua dura. Use un desincrustante, como Washer Magic[®], para eliminar la acumulación visible de minerales. Después de utilizar el desincrustante, ponga la lavadora en el ciclo CLEAN WASHER (LIMPIAR LAVADORA) antes de lavar la ropa. NO utilice nunca lana metálica ni limpiadores abrasivos.

LIMPIEZA REGULAR (continuación)

Almacenamiento de la lavadora

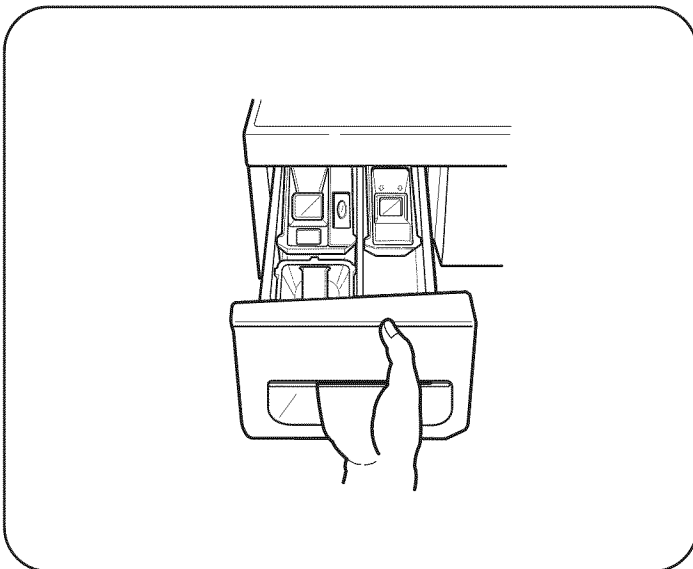
Si no se va a usar la lavadora durante un período prolongado y se encuentra en una zona de inviernos rigurosos, realice los siguientes pasos para proteger la lavadora de cualquier daño.

- 1 Cierre el suministro de agua.
- 2 Desconecte las mangueras del suministro de agua y drenaje el agua contenida en las mangueras.
- 3 Enchufe el cable de alimentación a una toma de corriente conectada a tierra adecuadamente.
- 4 Agregue 3,5 litros de anticongelante no tóxico de tipo RV a la tina de lavado vacía y cierre la puerta.

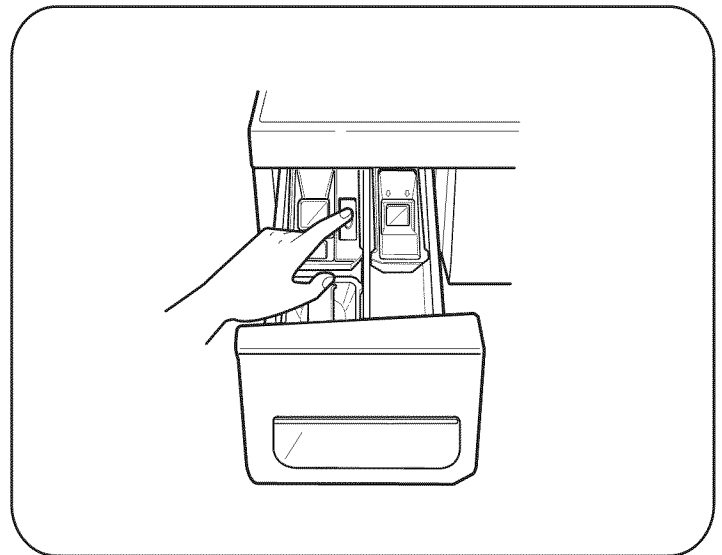
- 5 Presione el botón POWER y luego pulse el botón DRAIN & SPIN, sin seleccionar un ciclo. Presione el botón START/PAUSE para activar la bomba de drenaje. Esto eliminará parte del anticongelante, y dejará sólo el necesario para proteger la lavadora de daños.
- 6 Desconecte el cable de alimentación, seque el interior de la tina con un paño suave y cierre la puerta.
- 7 Consulte las siguientes instrucciones para limpiar y secar la gaveta del dispensador.
- 8 Almacene la lavadora en posición vertical.
- 9 Para extraer el anticongelante de la lavadora tras el almacenamiento, ejecute el ciclo EXPRESS WASH (LAVADO EXPRÉS). No agregue ropa para lavar a este ciclo.

Limpieza del dispensador

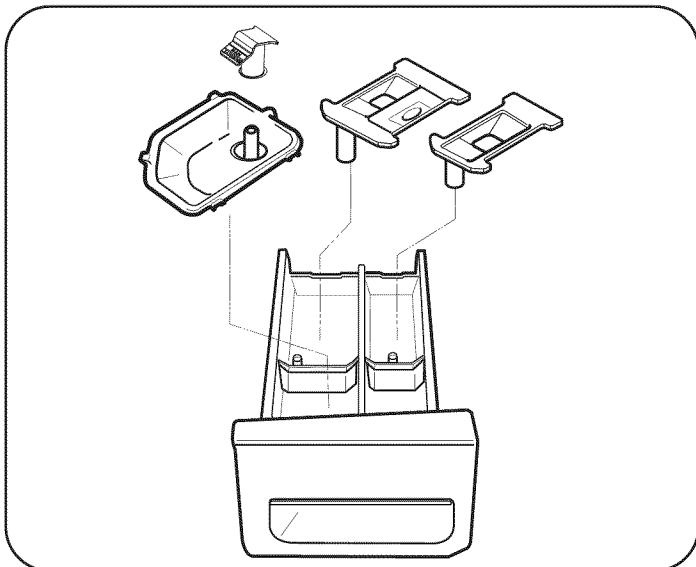
Se debe limpiar el dispensador periódicamente para quitar la acumulación de detergente y otros productos de lavado que pueden hacer que el dispensador no dispense el producto de lavado de forma correcta.



- 1 Extraiga la gaveta del dispensador hasta que se detenga.



- 2 Presione la pestaña de bloqueo situada entre los compartimientos de blanqueador y suavizante y deslice la gaveta hacia afuera.



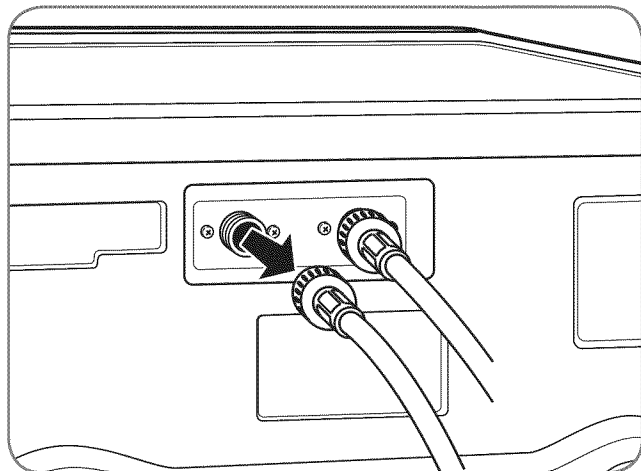
- 3 Retire el contenedor de detergente líquido, los separadores de suavizante y blanqueador de sus compartimientos.
- 4 Limpie el compartimiento del dispensador y los separadores con agua jabonosa templada.

MANTENIMIENTO

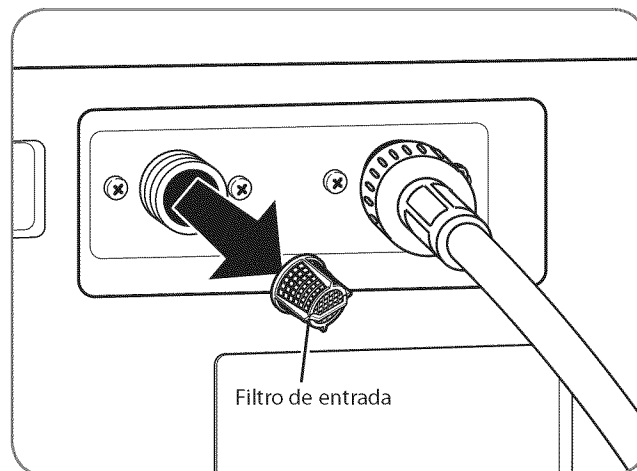
Limpieza de los filtros de entrada de agua

Si la lavadora no se llena correctamente, en la pantalla aparecerá un mensaje de error. Las pantallas del filtro de la válvula de entrada podrían estar taponadas por depósitos de agua dura, sedimentos en el suministro de agua u otros residuos.

NOTA: Las pantallas de entrada protegen las partes delicadas de la válvula de entrada para que no vean dañadas por partículas que podrían ingresar en las válvulas con el suministro de agua. Si se quitan estos filtros y se utiliza la lavadora, la válvula podría quedarse atascada abierta, lo que ocasionaría una inundación y/o daños materiales.



- 1 Cierre las dos llaves de agua completamente. Desenrosque las tuberías de agua caliente y fría de la parte posterior de la lavadora.

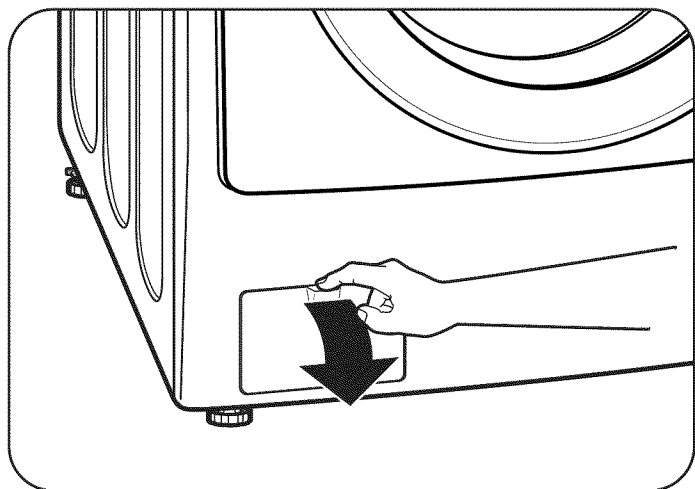


- 2 Retire con cuidado los filtros de las válvulas del agua y remójelos en vinagre blanco o en un desincrustante, siguiendo las instrucciones del fabricante. Tenga cuidado de no dañar los filtros durante la limpieza.
- 3 Enjuague abundantemente antes de volver a instalarlos. Vuelva a colocar los filtros en su lugar.
- 4 Antes de volver a conectar las mangueras, purgue las mangueras y las tuberías de agua dejando correr varios litros de agua a través de las mangueras hacia un cubo o desagüe.

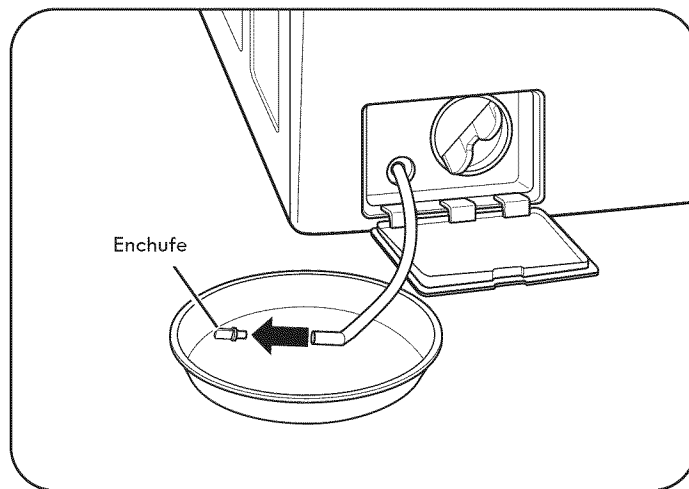
MANTENIMIENTO (continuación)

Limpieza del filtro de bomba de drenaje

La lavadora está equipada con un filtro que ayuda a evitar que el exceso de pelusa y objetos extraños como botones, llaves y monedas ocasionen daños a la bomba. Si la lavadora no drena correctamente, desconecte la lavadora y deje que el agua se enfríe, si es necesario, antes del procedimiento.

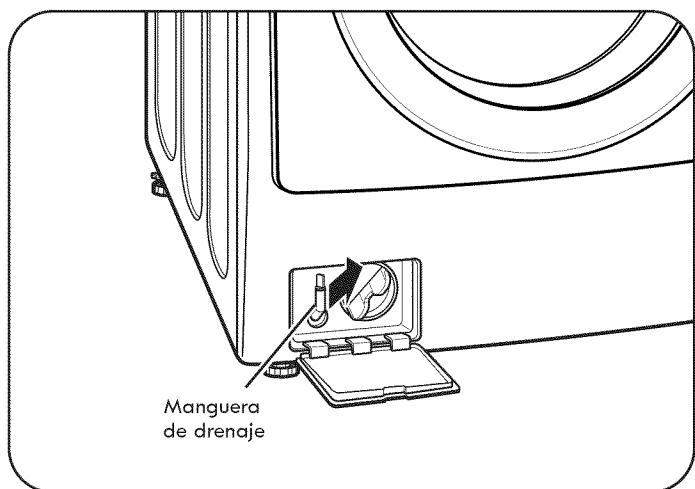


1 Abra el panel de acceso al filtro de la bomba de drenaje.

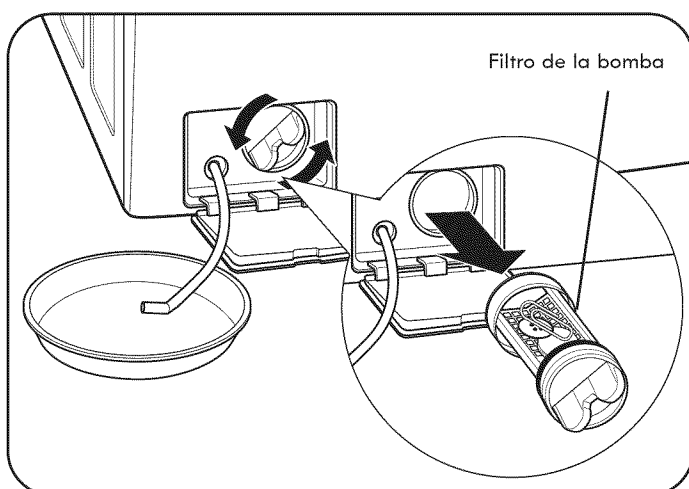


3 Retire el conector de la manguera de drenaje y permita que el agua drene por completo.

NOTA: Si hay una gran cantidad de agua en la tina, puede que tenga que vaciar el recipiente varias veces.



2 Desconecte la manguera de drenaje y tire de ella. Coloque el extremo de la bomba de drenaje en un recipiente llano o en el desagüe del suelo. Asegúrese de no tirar demasiado la manguera, o es posible que no drene de manera adecuada.



4 Gire el filtro de la bomba hacia la izquierda para retirarlo. Elimine cualquier pelusa y objeto extraño del filtro de la bomba. Vuelva a colocar el filtro de la bomba en la apertura y gire a la derecha para asegurarlo. Asegúrese de cerrar el panel de acceso al filtro de la bomba de drenaje.

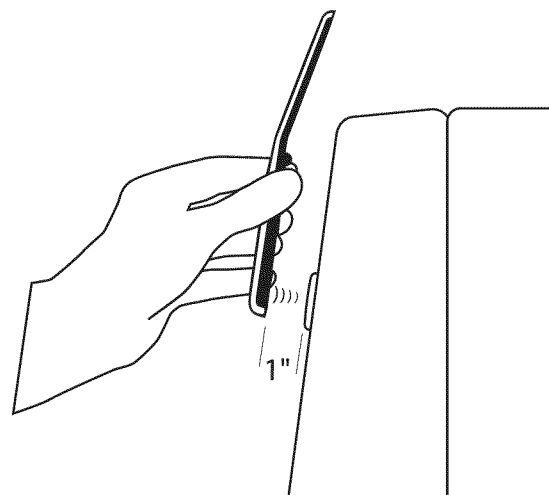
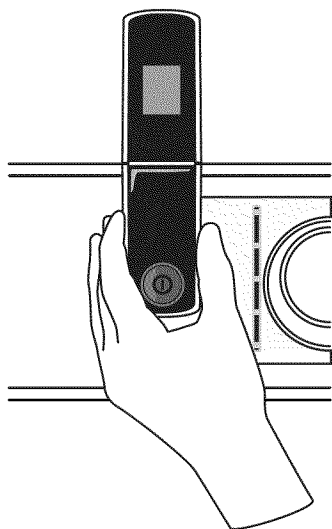
Si experimenta algún problema con la lavadora, podrá transmitir datos a través del teléfono con el equipo Kenmore Connect. Así podrá hablar directamente con nuestros técnicos especializados. El técnico graba los datos transmitidos desde la máquina y los utiliza para analizar el problema, ofreciendo un diagnóstico rápido y eficaz.

Si experimenta problemas con la lavadora, llame al 1-800-4-MY-HOME®. Sólo utilice el sistema Kenmore Connect cuando se lo pida el equipo de Kenmore Connect. Los sonidos de transmisión que oirá son normales y suenan de forma parecida a un equipo de fax.

Kenmore Connect no se puede activar a menos que la lavadora se encienda pulsado el botón POWER. Si la lavadora no se puede encender, la solución de problemas deberá llevarse a cabo sin utilizar Kenmore Connect.

Uso del sistema Kenmore Connect™

Siga las instrucciones del técnico y siga estos pasos cuando se le solicite.



MANTENGA el micrófono del teléfono sobre el botón de POWER, cuando el centro de llamadas se lo solicite, a no más de 2,5 cm (pero sin tocar) la máquina.

NOTA: No pulse ningún otro botón ni gire el mando del selector de ciclo.



MANTENGA PULSADO el botón de WASH TEMP mientras sigue sujetando el teléfono sobre el botón POWER.



ESPERE A ESCUCHAR tres pitidos. Tras escuchar los tres pitidos, suelte el botón de WASH TEMP. Mantenga el teléfono en su sitio hasta que haya terminado la transmisión de tonos. Esto tarda unos 6 segundos y en la pantalla aparecerá el recuento de tiempo. Una vez finalizada la cuenta atrás y cuando los tonos se hayan detenido, reanude su conversación con el técnico que le podrá ayudar a utilizar la información transmitida para el análisis.

NOTA:

- Para obtener mejores resultados, no mueva el teléfono mientras se estén transmitiendo los tonos.
- Si el agente del centro de llamadas no puede grabar con precisión los datos, quizá le pida que lo intente de nuevo.
- Si pulsa el botón POWER durante la transmisión se apagará el sistema Kenmore Connect.

SONIDOS NORMALES QUE SE PUEDEN ESCUCHAR

Los siguientes sonidos se pueden oír mientras la lavadora está en funcionamiento. Son ruidos normales.

Clics:

El mecanismo de bloqueo de la puerta hace clic cuando la puerta se bloquea y desbloquea.

Rociado o sibilante:

Agua rociándose o circulando durante el ciclo.

Zumbido o borboteo:


La bomba de drenaje bombea agua desde la lavadora en ocasiones durante un ciclo.

Salpicaduras:

La ropa gira en la tina durante los ciclos de lavado y enjuague.

ANTES DE SOLICITAR ASISTENCIA TÉCNICA

Si tu lavadora no funciona correctamente o no funciona en absoluto, compruebe lo siguiente antes de llamar al servicio técnico.


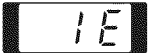
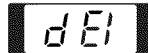
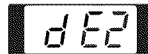
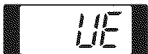

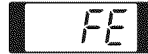
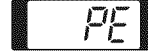
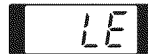

Problema	Causa posible	Soluciones
Ruido metálico y de traqueteo	Objetos extraños, como llaves, monedas o imperdibles pueden estar en la tina o en la bomba.	Detenga la lavadora, compruebe la tina y el filtro de drenaje en busca de objetos extraños. Si después de reiniciar la lavadora el ruido continúa, llame al servicio.
Sonido de golpes	Las cargas de prendas pesadas pueden producir un sonido de golpes. Es posible que la carga de la lavadora esté desbalanceada. Lavado de zapatos o ropa muy enredada.	Esto es normal. Si el sonido continúa, es posible que la lavadora está desbalanceada. Deténgala y redistribuya la carga de lavado. Pause el ciclo y redistribuya la carga después de que la puerta se desbloquee.
Ruido de vibración	Los pernos de transporte y/o materiales de empaque no se retiraron. Es posible que la carga de lavado no esté uniformemente distribuida en la tina. No todas las patas niveladoras se encuentran apoyadas firmemente en el piso. El piso no es lo suficientemente rígido.	Consulte la sección DESEMPAQUETADO Y DESEMBALAJE DE PERNOS DE TRANSPORTE en los requisitos de instalación. Pause el ciclo y redistribuya la carga después de que la puerta se desbloquee. Consulte la sección Nivelación de la lavadora en las Instrucciones para la instalación. Asegúrese de que el piso sea sólido y no ceda. Consulte la sección Tipo de piso en Requisitos de instalación.
Fuga de agua alrededor de la lavadora	La conexión de las mangueras de agua no está bien encajada en la llave o en la lavadora. Las tuberías de drenaje de la casa están taponadas. La manguera de drenaje se ha salido del desagüe. La manguera de drenaje no está insertada lo suficiente. El vidrio de la puerta está sucia.	Verifique las mangueras. Compruebe y apriete las conexiones de las mangueras. Destape la tubería de desagüe. Póngase en contacto con un plomero si es necesario. Amarre la manguera de drenaje a la manguera de entrada o a una tubería fija para impedir que se pueda salir durante el drenaje. Debe insertarse de 20,3 a 30,4 cm (8-12 pulgadas) en el tubo vertical. Verifique el vidrio de la puerta periódicamente para asegurarse de que no haya acumulación de residuos ni materiales extraños. Siga las instrucciones de limpieza.
Exceso de espuma	Demasiado detergente o detergente inadecuado.	 Utilice sólo detergentes con el logotipo de alta eficiencia (HE). Consulte Uso de detergentes en la sección Instrucciones de uso .

ANTES DE SOLICITAR ASISTENCIA TÉCNICA (continuación)

Problema	Causa posible	Soluciones
Manchas	<p>El blanqueador o el suavizante se han distribuido demasiado pronto.</p> <p>El blanqueador o el suavizante se han agregado directamente a la carga de lavado en la tina. La lavadora no se descargó inmediatamente.</p> <p>La ropa no se agrupó correctamente.</p>	<p>El compartimiento del dispensador se ha sobrellenado lo que ha ocasionado que el blanqueador o el suavizante se distribuyan inmediatamente.</p> <p>La gaveta del dispensador se cerró demasiado rápido provocando que el suavizante se distribuyera inmediatamente.</p> <p>Los productos químicos de lavado se deben cargar en el dispensador.</p> <p>Siempre saque las prendas de la lavadora lo antes posible en cuanto se complete el ciclo.</p> <p>Siempre lave los colores oscuros separados de los colores claros y los blancos para evitar la decoloración.</p> <p>Nunca lave prendas con mucha suciedad junto con otras con poca suciedad.</p>
La lavadora no se prende	<p>El cable de alimentación no se ha enchufado de forma adecuada.</p> <p>Se ha fundido el fusible, ha saltado el disyuntor o se ha producido un corte de suministro eléctrico en la vivienda.</p> <p>Se ha fundido el fusible, ha saltado el disyuntor, debido a la conexión de varios electrodomésticos en una misma toma de corriente.</p>	<p>Asegúrese de que el enchufe está correctamente enchufado a una toma de corriente de 120 V de CA, 60 Hz y tres clavijas con toma de tierra.</p> <p>Reinicie el disyuntor o sustituya el fusible. No aumente la capacidad del fusible. Si el problema es una sobrecarga del circuito, haga que lo solucione un electricista cualificado.</p> <p>Reinicie el disyuntor o sustituya el fusible. Si hay más de un electrodoméstico conectado a la toma de corriente, llame a un electricista para que le instale un circuito adicional.</p>
La puerta no se desbloquea cuando se interrumpa o detenga el ciclo	<p>La temperatura interior de la lavadora es muy alta.</p> <p>El nivel de agua en la lavadora es demasiado alto.</p>	<p>La puerta de la lavadora tiene un dispositivo de seguridad para evitar lesiones personales. Por ejemplo, si la lavadora está en pausa durante la etapa de lavado caliente de un ciclo de desinfección, la temperatura interior de la tina está muy caliente, así que la puerta no se desbloquea. Esto es normal. Deje que la lavadora se enfríe hasta que el indicador de DOOR LOCK se APAGUE en la pantalla.</p> <p>Para drenar el agua, presione POWER, luego presione el botón SPIN SPEED sin seleccionar un ciclo.</p>
El ciclo de lavado tarda más de lo normal	<p>La lavadora ajusta de forma automática el tiempo de lavado en función de la cantidad de ropa para lavar, la presión y temperatura del agua, y demás condiciones de funcionamiento.</p>	<p>Esto es normal. La lavadora ajusta el tiempo de ciclo de forma automática para brindar los resultados óptimos para el ciclo seleccionado. El tiempo restante que se muestra en la pantalla es sólo una estimación. El tiempo real puede variar.</p>
Olor a humedad o moho en la lavadora	<p>Se ha estado usando demasiado detergente o un detergente inadecuado.</p> <p>El interior de la tina no se lavó correctamente.</p>	<p>Utilice solamente detergente de alta eficiencia (HE) según las instrucciones del fabricante.</p> <p>Ejecute el ciclo de limpieza, CLEAN WASHER, con regularidad. Asegúrese de limpiar alrededor y debajo de la junta de la puerta con frecuencia. Consulte Cuidado y limpieza del interior.</p> <p>Limpie alrededor de la junta/vidrio de la puerta para evitar malos olores.</p>
Arrugas	<p>La lavadora no se ha descargado inmediatamente.</p> <p>La lavadora está sobrecargada.</p> <p>Las mangueras de entrada de agua fría y caliente están invertidas.</p>	<p>Siempre saque las prendas de la lavadora en cuanto se complete el ciclo.</p> <p>Al lavar cargas grandes, no llene la tina en exceso. La lavadora se puede cargar completamente, pero la tina no debe estar abarrotada con prendas y la puerta debería cerrarse con facilidad.</p> <p>El enjuague con agua caliente puede hacer aparecer arrugas en las prendas. Compruebe las conexiones de las mangueras de entrada.</p>

ANTES DE SOLICITAR ASISTENCIA TÉCNICA (continuación)

Su lavadora está equipada con un sistema automático de monitorización de errores para detectar y diagnosticar problemas en una fase temprana.

Problema	Causa posible	Soluciones
<p>El agua en la lavadora drena demasiado lento o no drena, o la pantalla muestra:</p> 	<p>La manguera de drenaje está retorcida, apretada o taponada.</p> <p>El filtro de la bomba de drenaje está obstruido.</p> <p>La descarga del desagüe está a más de 243,8 cm (96 pulgadas) por encima de la parte inferior de la lavadora.</p>	<p>Asegúrese de que la manguera de drenaje esté libre de taponamientos, dobladuras, etc., y no esté apretada debajo de la lavadora.</p> <p>Limpie el filtro de la bomba de drenaje. Consulte el apartado Mantenimiento en la sección Cuidado y limpieza.</p> <p>Ajuste o repare el drenaje. La altura máxima del drenaje es de 243,8 cm (96 pulgadas).</p>
<p>La lavadora se rellena con agua lentamente o no se llena en absoluto, o la pantalla muestra:</p> 	<p>Las llaves de suministro del agua no están completamente abiertas.</p> <p>Las mangueras de las tuberías de agua están retorcidas, pinzadas u taponadas.</p> <p>Los filtros de entrada de agua están taponados.</p> <p>La presión del suministro de agua a la llave o a la casa es demasiado baja.</p> <p>Suministro de agua conectado a mangueras con limitación de fugas.</p>	<p>Asegúrese de que las llaves de agua están totalmente abiertas.</p> <p>Asegúrese de que las mangueras no estén retorcidas ni pinzadas. Tenga cuidado al desplazar la lavadora durante las tareas de limpieza o mantenimiento.</p> <p>Limpie los filtros de entrada. Consulte el apartado Mantenimiento en la sección Cuidado y limpieza.</p> <p>Compruebe otra llave de la casa para asegurarse de que la presión de agua es la adecuada y que el flujo no está restringido.</p> <p>Las mangueras diseñadas para limitar las fugas pueden activarse erróneamente y evitar que la lavadora se llene. No se recomienda el uso de mangueras con limitación de fugas.</p>
<p>No se inicia el ciclo, o la pantalla muestra:</p>  	<p>La puerta no se cierra correctamente.</p>	<p>Asegúrese de que la puerta está correctamente cerrada y presione el botón START/PAUSE. Después de iniciar un ciclo, tomará unos momentos antes de que la tina comience a girar o centrifugar. La lavadora no funcionará a menos que la puerta esté cerrada.</p> <p>Si la puerta está bloqueada y se muestra el mensaje de error de apertura de la puerta, llame al servicio técnico.</p>
<p>La pantalla muestra:</p> 	<p>La carga es demasiado pequeña.</p> <p>La carga está desbalanceada.</p>	<p>Coloque 1 ó 2 prendas similares para ayudar equilibrar la carga.</p> <p>La lavadora tiene un sistema de detección de desbalance y corrección. Si se colocan prendas pesadas solas (alfombra de baño, bata de baño, etc) y el desbalance es demasiado grande, la lavadora hará varios intentos para reiniciar el ciclo de centrifugado. Si aún se detecta que está desbalanceada, la lavadora se detendrá y se mostrará el código de error.</p>
<p>La pantalla muestra:</p> 	<p>Error de control.</p>	<p>Desenchufe la lavadora y espere 60 segundos. Vuelva a conectarla y pruebe de nuevo. Si el error se vuelve a producir, llame al servicio técnico.</p>
<p>La pantalla muestra:</p> 	<p>El nivel de agua es demasiado alto debido a una válvula de agua con falla.</p>	<p>Cierre las llaves de agua, desenchufe la lavadora y llame al servicio técnico.</p>
<p>La pantalla muestra:</p> 	<p>El sensor de nivel de agua no funciona correctamente.</p>	<p>Cierre las llaves de agua, desenchufe la lavadora y llame al servicio técnico.</p>
<p>La pantalla muestra:</p> 	<p>Se ha producido un error del motor.</p>	<p>Deje que la lavadora descanse durante 30 minutos y, a continuación, reinicie el ciclo. Si el código de error LE persiste, llame al servicio técnico.</p>
<p>La pantalla muestra:</p> 	<p>Se ha producido una falla de energía.</p>	<p>Si se interrumpe la energía de la lavadora durante un ciclo, se mostrará el código de error "PF" la próxima vez que la lavadora esté encendida. Esto le alertará sobre el hecho de que es posible que el ciclo anterior no se haya completado. Seleccione cualquier ciclo para borrar el código de error y utilice la lavadora.</p>

Garantía limitada por un año de Kenmore

Si, tras ser instalado, operado y mantenido según todas las instrucciones del producto, este electrodoméstico sufriera averías debidas a defectos de material y mano de obra, dentro del período de un año a partir de la fecha de compra, llame al 1-800-4-MY-HOME® para solicitar su reparación gratuita.

Si este electrodoméstico fuera a ser utilizado con fines distintos a los domésticos, esta garantía sólo tendrá validez durante 90 días a partir de la fecha de compra.

Esta garantía cubre únicamente los defectos de material y mano de obra, y NO pagará:

1. Elementos consumibles que puedan desgastarse debido al uso normal, incluyendo entre otros, los filtros, correas, bombillas incandescentes y bolsas.
2. Un técnico de servicio para enseñar al usuario la instalación, funcionamiento o mantenimiento correctos del producto.
3. Un técnico de servicio para realizar labores de limpieza o mantenimiento del producto.
4. Daños o averías como consecuencia de no seguir todas las instrucciones de instalación, funcionamiento o mantenimiento incluidas con el producto.
5. Daños o averías en caso de accidente, abuso, uso inadecuado o uso con propósitos distintos a los fines para los que el producto fue diseñado.
6. Daños o averías en caso de utilizar detergentes, limpiadores, sustancias químicas o utensilios distintos a los recomendados en las instrucciones incluidas con el producto.
7. Daños o fallas de los componentes o sistemas como resultado de modificaciones hechas sin autorización a este producto.

Descargo de responsabilidad de garantías implícitas; limitación de acciones legales

El único y exclusivo recurso del cliente bajo esta garantía limitada será la reparación del producto como se indica en la presente. Las garantías implícitas, incluyendo garantías de comerciabilidad y aptitud para un objetivo particular, se encuentran limitadas a un año o al período más corto permitido por la ley. Sears no será responsable de los daños incidentales o derivados. Algunos estados y provincias no permiten la exclusión o limitación de daños o limitaciones incidentales o resultantes, o limitaciones sobre la duración de garantías implícitas o de comerciabilidad o aptitud, por lo tanto las limitaciones o exclusiones anteriores pueden no aplicarse en su caso.

Esta garantía podrá aplicarse sólo si este electrodoméstico se utiliza en los Estados Unidos o Canadá*.

Esta garantía le otorga derechos legales específicos, y usted también puede contar con otros derechos, que pueden variar de estado a estado.

*El servicio de reparación a domicilio no está disponible en todas las áreas geográficas de Canadá. Tampoco esta garantía cubrirá los gastos de traslado o transporte del usuario o del técnico de reparación si el producto está ubicado en un área remota (tal como la define Sears Canada Inc.) donde no haya ningún técnico de reparación disponible.

Sears Brands Management Corporation, Hoffman Estates, IL 60179
Sears Canada Inc., Toronto, Ontario, Canadá M5B 2C3

Get it fixed, at your home or ours!

Your Home

For troubleshooting, product manuals and expert advice:



www.managemylife.com

For repair – **in your home** – of **all** major brand appliances, lawn and garden equipment, or heating and cooling systems, **no matter who made it, no matter who sold it!**

For the replacement parts, accessories and owner's manuals that you need to do-it-yourself.

For Sears professional installation of home appliances and items like garage door openers and water heaters.

1-800-4-MY-HOME[®] (1-800-469-4663)

Call anytime, day or night (U.S.A. and Canada)

www.sears.com www.sears.ca

Our Home

For repair of carry-in items like vacuums, lawn equipment, and electronics, call anytime for the location of your nearest

Sears Parts & Repair Service Center

1-800-488-1222 (U.S.A.) **1-800-469-4663** (Canada)

www.sears.com www.sears.ca

To purchase a protection agreement on a product serviced by Sears:

1-800-827-6655 (U.S.A.) **1-800-361-6665** (Canada)

Para pedir servicio de reparación a domicilio, y para ordenar piezas:

1-888-SU-HOGAR[®]

(1-888-784-6427)

www.sears.com

Au Canada pour service en français:

1-800-LE-FOYER^{MC}

(1-800-533-6937)

www.sears.ca

The Sears logo, consisting of the word "sears" in a lowercase, serif font.

® Registered Trademark / TM Trademark of KCD IP, LLC in the United States, or Sears Brands, LLC in other countries

® Marca Registrada / TM Marca de Fábrica de KCD IP, LLC en Estados Unidos, o Sears Brands, LLC in otros países

^{MC} Marque de commerce / ^{MD} Marque déposée de Sears Brands, LLC