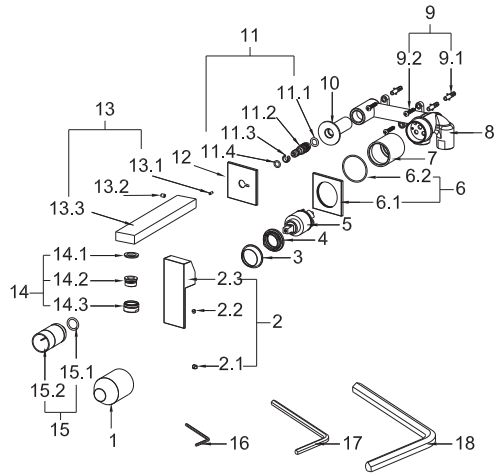


## REPLACEMENT PARTS



No.	Description	Finishes/colors	Item No.
1.	Plastic guard		70030023229
2.	Handle	BC,G,SS,GG	200100158**
3.	Cap	BC,G,SS,GG	500100720**
4.	Bonnet Nut		40060075252
5.	Cartridge		20060003400
6.	Plate	BC,G,SS,GG	500101272**
7.	Cartridge Cover	BC,G,SS,GG	400601501**
8.	Concealed body		10010129652
9.	Self-tap screw		50060008700
10.	Positioning pipe		40060150052
11.	Adapter		40060235052
12.	Plate	BC,G,SS,GG	500101889**
13.	Spout	BC,G,SS,GG	300100462**
14.	Aerator		50050044224
15.	Plastic guard		50020104200
16.	Hex Wrench		70030033429
17.	Hex Wrench		50060003700
18.	Hex Wrench		50060017900

\*\* Denotes faucet component color options:

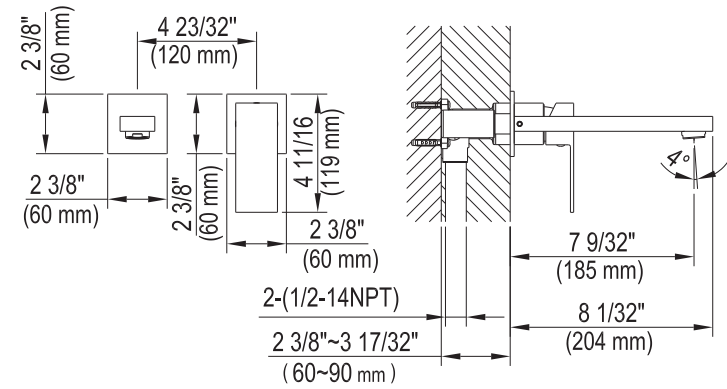
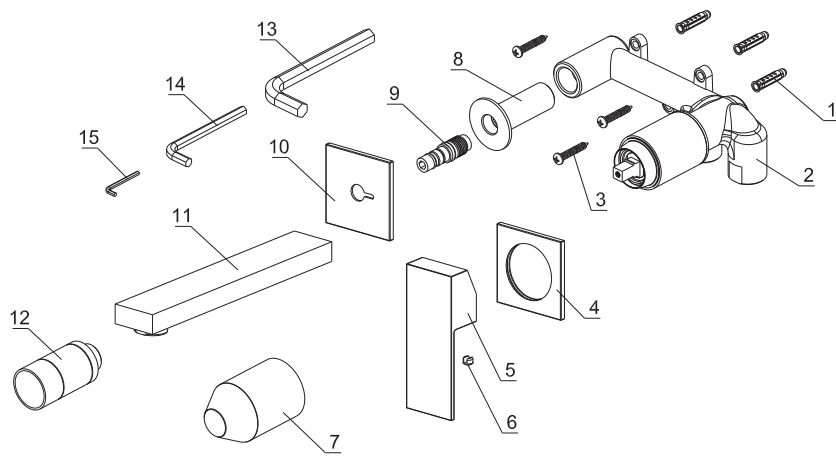
SS - Spot Free Stainless steel  
 GG - Gunmetal Grey  
 BC - Brushed Copper  
 G - Gold

# Karran®

## INSTALLATION GUIDE



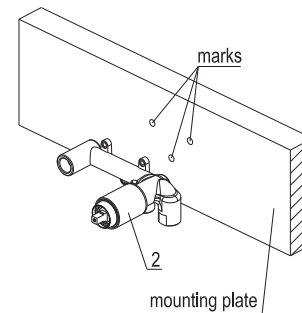
**Models:** KBF620BC  
 KBF620G  
 KBF620GG  
 KBF620SS



INSTALLATION GUIDE

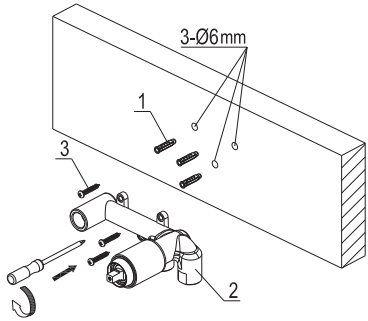
The Component List	Qty.	The Component List	Qty.	The Component List	Qty.
1. Screw anchor	3	7. Plastic guard A	1	13.Allen wrench A	1
2. Concealed body	1	8. Positioning pipe	1	14. Allen wrench B	1
3. Self-tap screw	3	9. Adapter	1	15. Allen wrench C	1
4. Decorative plate A	1	10. Decorative plate B	1		
5. Handle	1	11. Spout	1		
6. Decorative plug	1	12. Plastic guard B	1		

STEP 1



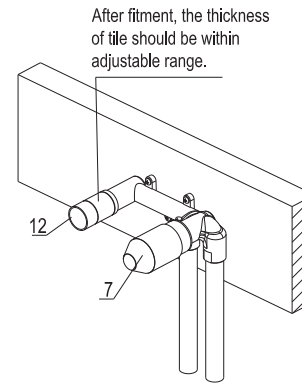
1. Consider the thickness of the wall before fastening the mounting plate. Use the concealed body(2) for positioning and make marks in the mounting plate.

## STEP 2



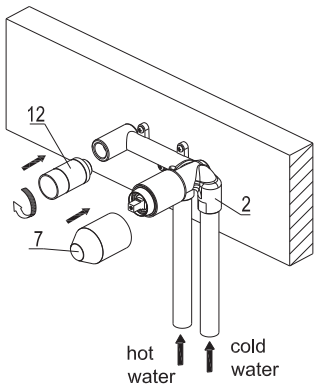
2. Drill 3-Ø6 holes on the wall, the deepness of holes is about 35mm, knock the screw anchors(1) into the three holes, and fix the concealed body(2) onto the mounting plate with the self-tap screws(3).

## STEP 4



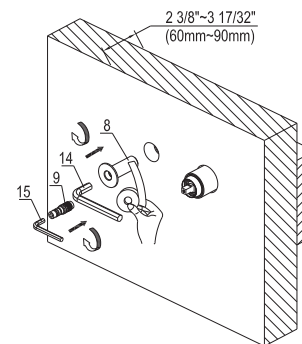
4. After tightness testing, put on all the plastic guards, make sure  $2\frac{3}{8}''\sim 3\frac{17}{32}''$  (60mm~90mm) is the thickness of the tile, after fitment, the thickness of tile should be within the adjustable range.

## STEP 3



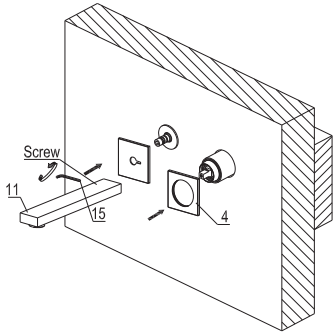
3. Connet the water supply pipes and test the tightness of water supply according to the following water pressure conditions:  
While cartridge is closed:  
≤ 1.6Mpa to test the supply pipes and faucet. While opening cartridge, do not block the water outlet:  
≤ 0.4Mpa to test the supply pipes and faucet.

## STEP 5



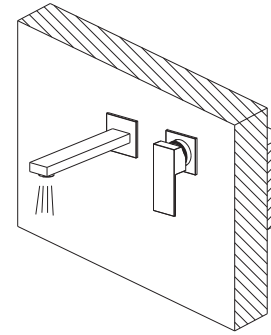
5. After twisting sealing tape on the thread of the positioning pipe(8), fit the positioning pipe(8) and the adapter (9) into the outlet of concealed body with allen wrenchs.

## STEP 6



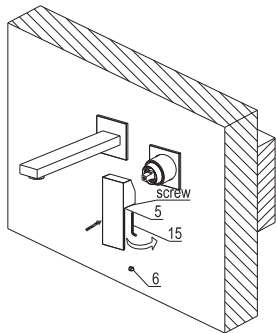
6. Put the decorative plate A(4) on, After adjusting the direction of the spout(11), secure the spout by screwing the screw on the spout with the allen wrench C(15).

## STEP 8



8. Turn on the water supply and test the tightness of all the joints to finish.

## STEP 7



7. Secure the handle(5) by screwing the screw on the handle with the allen wrench C(15), and put the decorative plug(6) on.

## How to operate the handle:

- 1) Raise the handle lever up to turn water on, push down to close.
- 2) Turn the handle lever to the left to increase hot water flow to higher water temperature, and lower the water temperature by operating reversely.

