

Use & Care Guide  
Manual de Uso y Cuidado  
English / Español

# Kenmore®

## Liquid Propane Gas Grill

### Parrilla a gas de propano liquido

Model/Modelo: 146.23681310

Item / Artículo: 640-05057376-5

P/N 61200343  
Sears Brands Management Corporation  
Hoffman Estates, IL 60179 U.S.A.  
[www.kenmore.com](http://www.kenmore.com)  
[www.sears.com](http://www.sears.com)  
[www.kmart.com](http://www.kmart.com)



## DANGER

If you smell gas:

1. Shut off gas to the appliance.
2. Extinguish any open flame.
3. Open lid.
4. If odor continues, keep away from the appliance and immediately call your gas supplier or your fire department.

## WARNING

1. Do not store or use gasoline or other flammable liquids or vapors in the vicinity of this or any other appliance.
2. An LP cylinder not connected for use shall not be stored in the vicinity of this or any other appliance.

**Call Grill Service Center For Help And Parts**

If you have questions or need assistance during assembly, please call 1-888-287-0735. You will be speaking to a representative of the grill manufacturer and not a Sears employee. To order new parts call Sears at 1-800-4-MY-HOME®.

**Product Record**

IMPORTANT: Fill out the product record information below.

Model Number \_\_\_\_\_

Serial Number \_\_\_\_\_  
See rating label on grill for serial number.

Date Purchased \_\_\_\_\_

## CAUTION

For residential use only. Do not use for commercial cooking.

**Installation Safety Precautions**

- Please read this User's Manual in its entirety before using the grill.
- Failure to follow the provided instruction can result in seriously bodily injury and/or property damage.
- Some parts of this grill may have sharp edges. Please wear suitable protective gloves.
- Use grill, as purchased, only with LP (propane) gas and the regulator/valve assembly supplied.
- Grill installation must conform with local codes, or in their absence of local codes, with either the National Fuel Gas Code, ANSI Z223.1/ NFPA 54, Natural Gas and Propane Installation Code, CSA B149.1, or Propane Storage and Handling Code, B149.2, or the Standard for Recreational Vehicles, ANSI A 119.2/NFPA 1192, and CSA Z240 RV Series, Recreational Vehicle Code, as applicable.
- All electrical accessories (such as rotisserie) must be electrically grounded in accordance with local codes, or National Electrical Code, ANSI / NFPA 70 or Canadian Electrical Code, CSA C22.1. Keep any electrical cords and/or fuel supply hoses away from any hot surfaces.
- This grill is safety certified for use in the United States and/or Canada only. Do not modify for use in any other location. Modification will result in a safety hazard.

**IMPORTANT:** This grill is intended for outdoor use only and is not intended to be installed in or on recreational vehicles or boats.

**NOTE TO INSTALLER:** Leave this User's Manual with the customer after delivery and/or installation.

**NOTE TO CONSUMER:** Leave this User's Manual in a convenient place for future reference.

**Safety Symbols**

The symbols and boxes shown below explain what each heading means. Read and follow all of the messages found throughout the manual.

## DANGER

DANGER: Indicates an imminently hazardous situation which, if not avoided, will result in death or serious injury.

## WARNING

WARNING: Indicates an potentially hazardous situation which, if not avoided, could result in death or serious injury.

## CAUTION

CAUTION: Indicates a potentially hazardous situation or unsafe practice which, if not avoided, may result in minor or moderate injury.



## TABLE OF CONTENTS

For Your Safety . . .	. . . 2
Grill Service Center . . .	. . . 2
Product Record Information . . .	. . . 2
Installation Safety Precautions . . .	. . . 2
Safety Symbols . . .	. . . 2
Kenmore Grill Warranty . . .	. . . 3
Use and Care . . .	. . . 4-10
Parts List . . .	. . . 11
Parts Diagram . . .	. . . 13
Before Assembly . . .	. . . 14-17
Assembly . . .	. . . 18-46
Troubleshooting . . .	. . . 47-49

### Repair Protection Agreements

Congratulations on making a smart purchase. Your new Kenmore® product is designed and manufactured for years of dependable operation. But like all products, it may require repair from time to time. That's when having a Repair Protection Agreement can save you money and aggravation.

*Purchase a Repair Protection Agreement now and protect yourself from unexpected hassle and expense.*

Here's what the Repair Protection Agreement\* includes:

- ✔ Expert service by our 10,000 professional repair specialists
- ✔ Unlimited service and no charge for parts and labor on all covered repairs
- ✔ Product replacement up to \$1500 if your covered product can't be fixed
- ✔ Discount of 25% from regular price of service and related installed parts not covered by the agreement; also, 25% off regular price of preventive maintenance check
- ✔ Fast help by phone - we call it Rapid Resolution - phone support from a Sears representative. Think of us as a "talking owner's manual."


Once you purchase the Repair Protection Agreement, a simple phone call is all that it takes for you to schedule service. You can call anytime day or night, or schedule a service appointment online.

The Repair Protection Agreement is a risk-free purchase. If you cancel for any reason during the product warranty period, we will provide a full refund. Or, a prorated refund anytime after the product warranty period expires. Purchase your Repair Protection Agreement today!


Some limitations and exclusions apply. For prices and additional information in the U.S.A. call 1-800-827-6655.

### Sears Installation Service

For Sears professional installation of home appliances, garage door openers, water heaters, and other major home items, in the U.S.A. call 1-800-4-MY-HOME®



## WARNING



**CALIFORNIA PROPOSITION 65**

1. Combustion by-products produced when using this product contain chemicals known to the State of California to cause cancer, birth defects, and other reproductive harm.
2. This Product contains chemicals, including lead and lead compounds, known to the State of California to cause cancer, birth defects or other reproductive harm.

***Wash your hands after using this product.***

## WARRANTY

### KENMORE GRILL WARRANTY

#### Kenmore One Year Limited Warranty

When installed, operated and maintained according to all supplied instructions, if this appliance fails due to a defect in material and workmanship within one year from the date of purchase, call 1-800-4-MY-HOME<sup>®</sup> to arrange for free repair or replacement if repair is unavailable.

For ten years from the date of purchase, any burner that rusts through will be replaced free of charge. After the first year from the date of purchase, you are responsible for the labor cost to have it installed.

All warranty coverage excludes ignitor batteries and grill part paint loss, discoloration or surface rusting, which are either expendable parts that can wear out from normal use within the warranty period, or are conditions that can be the result of normal use, accident or improper maintenance.

All warranty coverage is void if this product is ever used for other than private household purposes.

**This warranty covers ONLY defects in material and workmanship. Sears will NOT pay for:**

1. Expendable items that can wear out from normal use within the warranty period, including but not limited to batteries, light bulbs and surface coatings or finishes.
2. A service technician to instruct the user in correct product installation, operation or maintenance.
3. A service technician to clean or maintain this product.
4. Damage to or failure of this product if it is not installed, operated or maintained according to the all instructions supplied with the product.
5. Damage to or failure of this product resulting from accident, abuse, misuse or use for other than its intended purpose.
6. Damage to or failure of this product caused by the use of detergents, cleaners, chemicals or utensils other than those recommended in all instructions supplied with the product.
7. Damage to or failure of parts or systems resulting from unauthorized modifications made to this product.

#### Disclaimer of implied warranties;

Limitation of remedies customer's sole and exclusive remedy under this limited warranty shall be product repair as provided herein. Implied warranties, including warranties of merchantability or fitness for a particular purpose, are limited to one year or the shortest period allowed by law. Sears shall not be liable for incidental or consequential damages. Some states and provinces do not allow the exclusion or limitation of incidental or consequential damages, or limitation on the duration of implied warranties of merchantability or fitness, so these exclusions or limitations may not apply to you.

This warranty applies only while this appliance is used in the United States.

This warranty gives you specific legal rights, and you may also have other rights which vary from state to state.

Sears Brands Management Corporation,  
Hoffman Estates, IL 60179

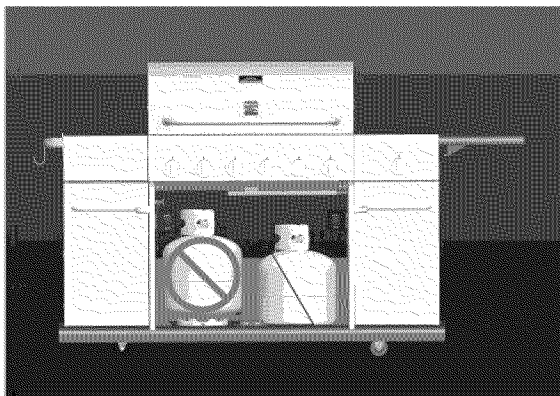
## USE AND CARE



# DANGER



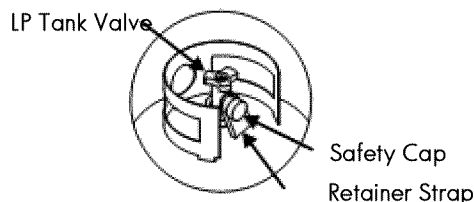
- **NEVER** store a spare LP cylinder under or near the appliance or in an enclosed area.



- **Never fill a cylinder beyond 80% full.**
- **If the information in the two points above is not followed exactly, a fire causing death or serious injury may occur.**
- **An overfilled or improperly stored cylinder is a hazard due to possible gas release from the safety relief valve. This could cause an intense fire with risk of property damage, serious injury or death.**
- **If you see, smell or hear gas escaping, immediately get away from the LP cylinder and appliance and call your fire department.**

### LP Tank Removal, Transport And Storage

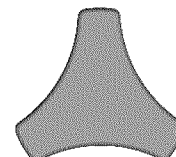
- Turn OFF all control knobs and LP tank valve. Turn coupling nut counterclockwise by hand only - do not use tools to disconnect. Lift LP tank wire upward off of LP tank collar, then lift LP tank up and off of support bracket. Install safety cap onto LP tank valve. Always use cap and strap supplied with valve. Failure to use safety cap as directed may result in serious personal injury and/or property damage.



- A disconnected LP tank in storage or being transported must have a safety cap installed (as shown). Do not store an LP tank in enclosed spaces such as a carport, garage, porch, covered patio or other building. Never leave an LP tank inside a vehicle which may become overheated by the sun.
- Do not store an LP tank in an area where children play.

### LP Cylinder

- The LP cylinder used with your grill must meet the following requirements:
- Use LP cylinders only with these required measurements: 12" (30.5cm) (diameter) x 18" (45.7 cm) (tall) with 20 lb. (9 kg.) Capacity maximum.
- LP cylinders must be constructed and marked in accordance with specifications for LP cylinders of the U.S. Department of Transportation (DOT) or for Canada, CAN/CSA-B339, cylinders, spheres and tubes for transportation of dangerous goods. Transport Canada (TC). See LP cylinder collar for marking.
- LP cylinder valve must have:
  - Type 1 outlet compatible with regulator or grill.
  - Safety relief valve.
  - UL listed Overfill Protection Device (OPD). This OPD safety feature is identified by a unique triangular hand wheel. Use only LP cylinders equipped with this type of valve.
- LP cylinder must be arranged for vapor withdrawal and include collar to protect LP cylinder valve. Always keep LP cylinders in upright position during use, transit or storage.



OPD Hand Wheel



LP cylinder in upright position for vapor withdrawal

### LP (Liquefied Petroleum Gas)

- LP gas is nontoxic, odorless and colorless when produced. For **Your Safety**, LP gas has been given an odor (similar to rotten cabbage) so that it can be smelled.
- LP gas is highly flammable and may ignite unexpectedly when mixed with air.

### LP Cylinder Filling

- Use only licensed and experienced dealers.
- LP dealer **must purge new cylinder** before filling.
- Dealer should **NEVER** fill LP cylinder more than 80% of LP cylinder volume. Volume of propane in cylinder will vary by temperature.
- A frosty regulator indicates gas overfill. Immediately close LP cylinder valve and call local LP gas dealer for assistance.
- Do not release liquid propane (LP) gas into the atmosphere. This is a hazardous practice.
- To remove gas from LP cylinder, contact an LP dealer or call a local fire department for assistance. Check the telephone directory under "Gas Companies" for nearest certified LP dealers.

## LP Tank Exchange

- Many retailers that sell grills offer you the option of replacing your empty LP tank through an exchange service. Use only those reputable exchange companies that inspect, precision fill, test and certify their cylinders. **Exchange your tank only for an OPD safety feature-equipped tank as described in the "LP Tank" section of this manual.**
- Always keep new and exchanged LP tanks in upright position during use, transit or storage.
- **Leak test new and exchanged LP tanks BEFORE connecting to grill.**

## LP Tank Leak Test

### For your safety

- Leak test must be repeated each time LP tank is exchanged or refilled.
- Do not smoke during leak test.
- Do not use an open flame to check for gas leaks.
- Grill must be leak tested outdoors in a well-ventilated area, away from ignition sources such as gas fired or electrical appliances. During leak test, keep grill away from open flames or sparks.
- Use a clean paintbrush and a 50/50 mild soap and water solution. Brush soapy solution onto areas indicated by arrows in figure below. Leaks are indicated by growing bubbles.

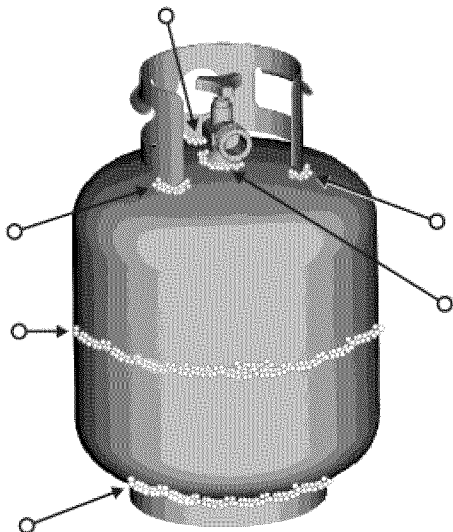


## WARNING



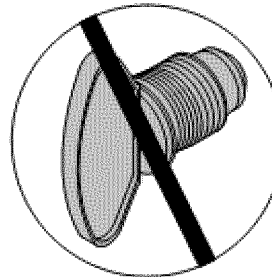
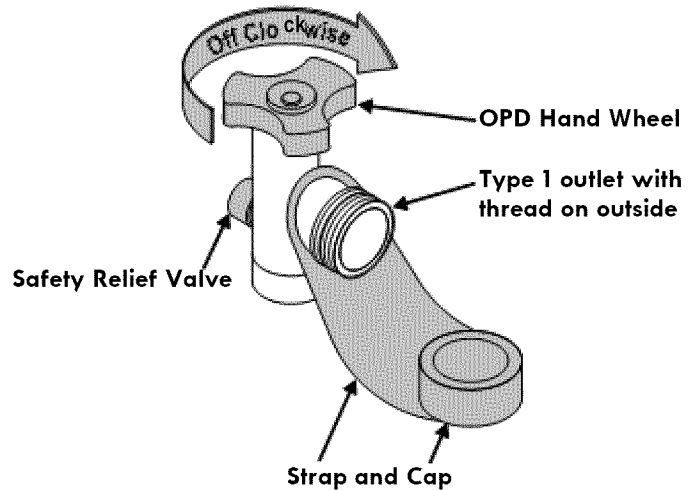
If "growing" bubbles appear do not use or move the LP tank. Contact an LP gas supplier or your fire department!

- ▲ Do not use household cleaning agents. Damage to the gas train components (valve/hose/regulator) can result.



## Connecting Regulator To The LP Tank

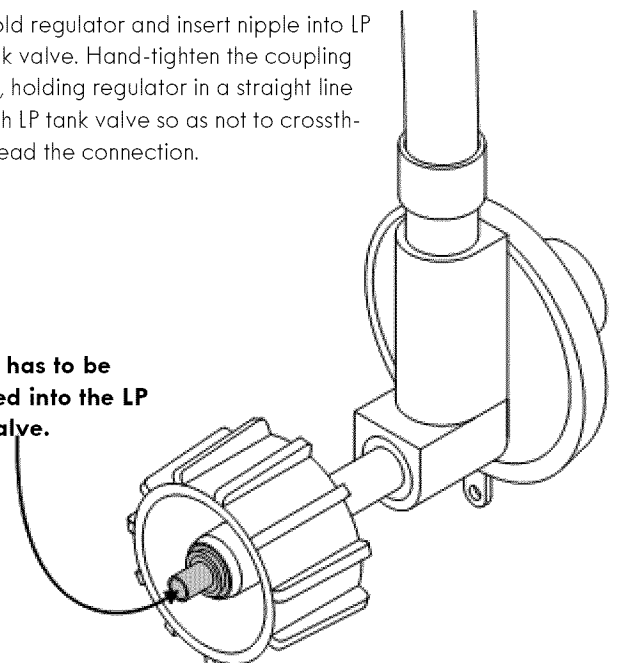
1. LP tank must be properly secured onto grill. (Refer to assembly section.)
2. Turn all control knobs to the OFF position.
3. Turn LP tank OFF by turning OPD hand wheel clockwise to a full stop.
4. Remove the protective cap from LP tank valve. Always use cap and strap supplied with valve.

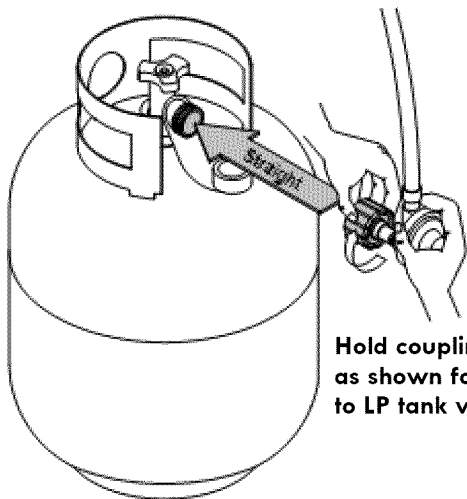


**Do not insert a POL transport plug (plastic part with external threads) into the type 1 valve outlet. It will defeat the Safety Relief Valve feature.**

5. Hold regulator and insert nipple into LP tank valve. Hand-tighten the coupling nut, holding regulator in a straight line with LP tank valve so as not to cross-thread the connection.

**Nipple has to be centered into the LP tank valve.**





**Hold coupling nut and regulator as shown for proper connection to LP tank valve.**

6. Turn the coupling nut clockwise and tighten to a full stop. The regulator will seal on the back-check feature in the LP tank valve, resulting in some resistance. An additional one-half to three-quarters turn is required to complete the connection. Tighten by hand only - do not use tools.

**NOTE:**

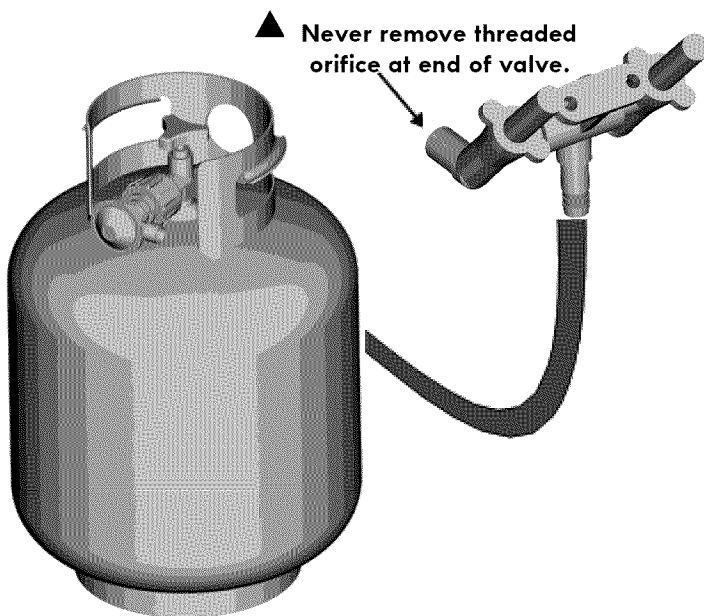
If you cannot complete the connection, disconnect regulator and repeat steps 5 and 6. If you are still unable to complete the connection, do not use this regulator!  
Call 1-800-4-MY-HOME<sup>®</sup> for an identical replacement part.

	<b>DANGER</b>	
<ul style="list-style-type: none"> <li>Do not insert any tool or foreign object into the valve outlet or safety relief valve. You may damage the valve and cause a leak. Leaking propane may result in explosion, fire, severe personal injury, or death.</li> </ul>		

	<b>WARNING</b>	
<ul style="list-style-type: none"> <li>Outdoor gas appliance is not intended to be installed in or on a boat.</li> <li>Outdoor gas appliance is not intended to be installed in or on an RV.</li> <li>Never attempt to attach this grill to the self-contained LP gas system of a camper trailer or motor home.</li> <li>Do not use grill until leak-tested.</li> <li>If a leak is detected at any time, STOP and call the fire department.</li> <li>If you cannot stop a gas leak, immediately close LP cylinder valve and call LP gas supplier or your fire department !</li> </ul>		

**Leak Testing Valves, Hose and Regulator**

1. Turn all grill control knobs to OFF.
2. Be sure regulator is tightly connected to LP tank.
3. Completely open LP tank valve by turning OPD hand wheel counterclockwise. If you hear a rushing sound, turn gas off immediately. There is a major leak at the connection. **Correct before proceeding** by calling Sears for replacement parts at 1-800-4-MY-HOME<sup>®</sup>.
4. Brush soapy solution onto areas where bubbles are shown in picture below:



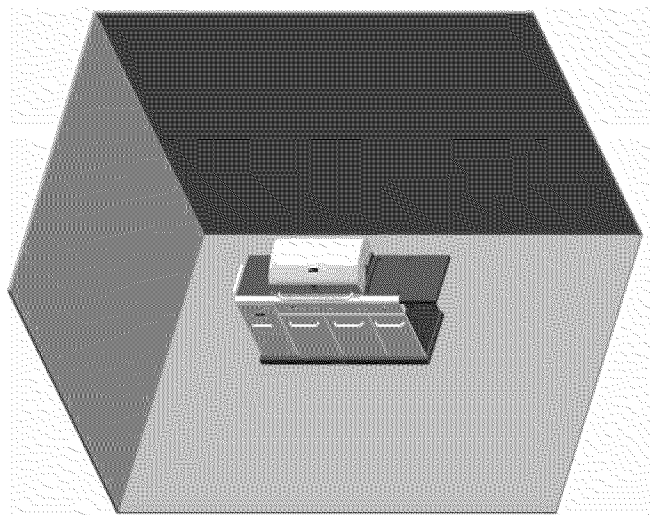
5. If "growing" bubbles appear, there is a leak. Close LP tank valve immediately and retighten connections. If leaks cannot be stopped do not try to repair. Call Sears for replacement parts at 1-800-4-MY-HOME<sup>®</sup>.
6. Always close LP tank valve after performing leak test by turning hand wheel clockwise.



 **WARNING** 

**For Safe Use of Your Grill and to Avoid Serious Injury:**

- Do not let children operate or play near grill.
- Keep grill area clear and free from materials that burn.
- Do not block holes in sides or back of grill.
- Use grill only in well-ventilated space. NEVER use in enclosed space such as carport, garage, porch, covered patio, or under an overhead structure of any kind.
- Do not use charcoal or ceramic briquets in a gas grill. *(Unless briquets are supplied with your grill.)*
- Use grill at least 3 ft. from any wall or surface. Maintain 10 ft. clearance to objects that can catch fire or sources of ignition such as pilot lights on water heaters, live electrical appliances, etc.



**Apartment Dwellers:**

- Check with management to learn the requirements and fire codes for using an LP gas grill in your apartment complex. If allowed, use outside on the ground floor with a three (3) foot clearance from walls or rails. Do not use on or under balconies.
- NEVER attempt to light burner with lid closed. A buildup of non-ignited gas inside a closed grill is hazardous.
- Never operate grill with LP cylinder out of correct position specified in assembly instructions.
- Always close LP cylinder valve and remove coupling nut before moving LP cylinder from specified operation position.


**Safety Tips**

- ▲ Before opening LP cylinder valve, check the coupling nut for tightness.
- ▲ When grill is not in use, turn off all control knobs and LP cylinder valve.
- ▲ Never move grill while in operation or still hot.
- ▲ Use long-handled barbecue utensils and oven mitts to avoid burns and splatters.
- ▲ Maximum load for side shelf is 10 lbs.
- ▲ The grease tray must be inserted into grill and emptied after each use. Do not remove grease tray until grill has completely cooled.
- ▲ Clean grill often, preferably after each cookout. If a bristle brush is used to clean any of the grill cooking surfaces, ensure no loose bristles remain on cooking surfaces prior to grilling. It is not recommended to clean cooking surfaces while grill is hot.
- ▲ If you notice grease or other hot material dripping from grill Determine the cause, correct it, then clean and inspect valve, Keep ventilation openings in cylinder enclosure (grill cart) free and clear of debris.
- ▲ Do not store objects or materials inside the grill cart enclosure that would block the flow of combustion air to the underside of either the control panel or the firebox bowl.
- ▲ The regulator may make a humming or whistling noise during operation. This will not affect safety or use of grill.
- ▲ If you have a grill problem see the "Troubleshooting Section".
- ▲ If the regulator frosts, turn off grill and LP cylinder valve immediately. This indicates a problem with the cylinder and it should not be used on any product. Return to supplier!

 **CAUTION** 

- Putting out grease fires by closing the lid is not possible. Grills are well ventilated for safety reasons.
- Do not use water on a grease fire. Personal injury may result. If a grease fire develops, turn knobs and LP cylinder off.
- Do not leave grill unattended while preheating or burning off food residue on HI. If grill has not been regularly cleaned, a grease fire can occur that may damage the product.

**Push & Turn Electronic Ignition Lighting Instructions**


1. Open lid during lighting.
2. Turn ON gas valve on tank.
3. Push and turn any Main Burner control knob to  Hi and hold in. You will hear a clicking sound from the electrodes of all burners..
4. If Ignition does NOT occur in 5 seconds, turn the burner control knob OFF, wait 5 minutes, and repeat the lighting procedure.
5. To ignite other Main Burner, repeat step 3.
6. To ignite the Side Burner, follow steps 2-4 using the Side Burner knob.




WARNING



Turn controls and gas source or tank OFF when not in use.



CAUTION

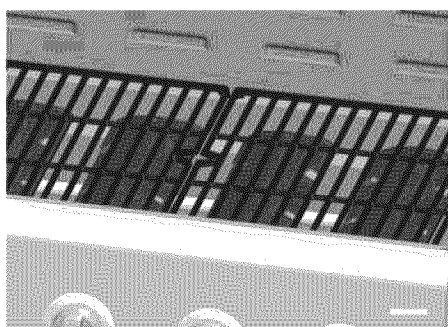
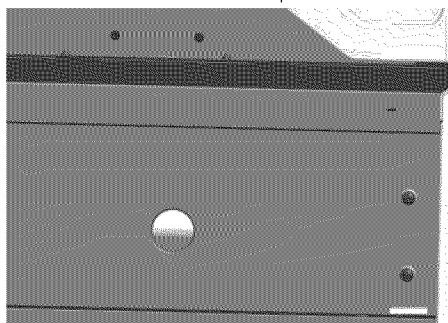


If ignition does NOT occur in 5 seconds, turn the burner controls OFF, wait 5 minutes and repeat the lighting procedure. If the burner does not ignite with The valve open, gas will continue to flow out of the burner and could accidentally ignite with risk of injury.

### Match Lighting

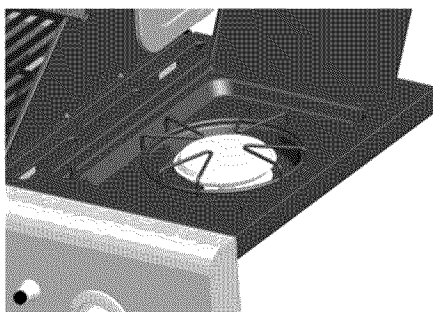
▲ Do not lean over grill while lighting.

1. Open lid during lighting.
2. Place match into match holder (hanging on right back panel). Light match, place into lighting hole on left side of firebox.
3. Turn right knob to HI position. Be sure burner lights and stay lit.
4. Light other burners follow with step 3.



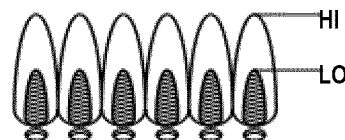
### Sideburner Match Lighting

1. Open sideburner lid. Turn on gas at LP cylinder.
2. Place lit match near burner.
3. Turn sideburner knob to HI. Be sure burner lights and stays lit.



### Burner Flame Check

- Remove cooking grates and flame tamers. Light burners, rotate knobs from HIGH to LOW. You should see a smaller flame in LO position than seen on HI. Always check flame prior to each use. If only low flame is seen refer to "Sudden drop or low flame" in the Troubleshooting Section.



### Turning Grill Off

- Turn all knobs to OFF position. Turn LP cylinder off by turning

### Ignitor Check

- Turn gas off at LP cylinder. Press and hold electronic ignitor button. "Clicking" should be heard and spark seen each time between collector box or burner and electrode. See "Troubleshooting" if no click or spark.

### Valve Check

- Important: Make sure gas is off at LP cylinder before checking valves. Knobs lock in OFF position. To check valves, first push in knobs and release, knobs should spring back. If knobs do not spring back, replace valve assembly before using grill. Turn knobs to LOW position then turn back to OFF position. Valves should turn smoothly.

### Hose Check

- Before each use, check to see if hoses are cut or worn. Replace damaged hoses before using grill. Use only valve/hose/regulator as specified in the parts list of this Use & Care Guide.

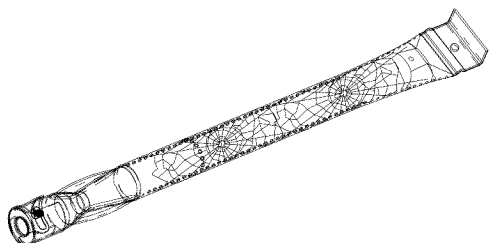
### General Grill Cleaning

- Do not mistake brown or black accumulation of grease and smoke for paint. Interiors of gas grills are not painted at the factory (**and should never be painted**). Apply a strong solution of detergent and water or use a grill cleaner with scrub brush on insides of grill lid and bottom. Rinse and allow to completely air dry. Do not apply a caustic grill/oven cleaner to painted surfaces.
- **Porcelain surfaces:** Because of glass-like composition, most residue can be wiped away with baking soda/water solution or specially formulated cleaner. Use nonabrasive scouring powder for stubborn stains.
- **Painted surfaces:** Wash with mild detergent or nonabrasive cleaner and warm soapy water. Wipe dry with a soft nonabrasive cloth.
- **Stainless steel surfaces:** To maintain your grill's high quality appearance, wash with mild detergent and warm soapy water and wipe dry with a soft cloth after each use. Baked-on grease deposits may require the use of an abrasive plastic cleaning pad. Use only in direction of brushed finish to avoid damage. Do not use abrasive pad on areas with graphics.
- **Cooking surfaces:** If a bristle brush is used to clean any of the grill cooking surfaces, ensure no loose bristles remain on cooking surfaces prior to grilling. It is not recommended to clean cooking surfaces while grill is hot.

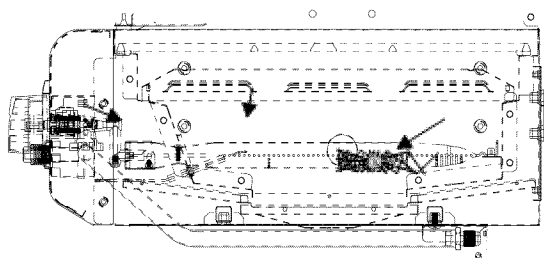
**CAUTION**

# SPIDER ALERT!

**IMPORTANT:** Always ensure that the venturi burner tubes are clean. A venturi burner tube has a narrow area in which spiders tend to build nests.



If you notice that your grill is getting hard to light or that the flame isn't as strong as it should be, take the time to check and clean the venturi's.



Spiders or small insects have been known to create "flashback" problems. The spiders spin webs, build nests and lay eggs in the grill's venturi tube(s) obstructing the flow of gas to the burner. The backed-up gas can ignite in the venturi behind the control panel. This is known as a flashback and it can damage your grill and even cause injury.

To prevent flashbacks and ensure good performance the burner and venturi assembly should be removed from the grill and cleaned before use whenever the grill has been idle for an extended period.

## Storing Your Grill

- Clean cooking grates.
- Store in dry location.
- When LP cylinder is connected to grill, store outdoors in a well-ventilated space and out of reach of children.
- Cover grill if stored outdoors. Choose from a variety of grill covers offered by manufacturer once available.
- Store grill indoors **ONLY** if LP cylinder is turned off and Disconnected, remove from grill and stored outdoors.
- When removing grill from storage, follow "Cleaning the Burner Assembly" instructions before starting grill.

## Cleaning the Burner Assembly

Follow these instructions to clean and/or replace parts of burner assembly or if you have trouble igniting grill.

1. Turn gas off at control knobs and LP cylinder
2. Remove cooking grates and heat diffusers.
3. Remove cotter pin from rear of burners.
4. Carefully lift each burner up and away from valve openings.

We suggest three ways to clean the burner tubes. Use the one easiest for you.

- (A) Bend a stiff wire (a light weight coat hanger works well) into a small hook. Run the hook through each burner tube several times.

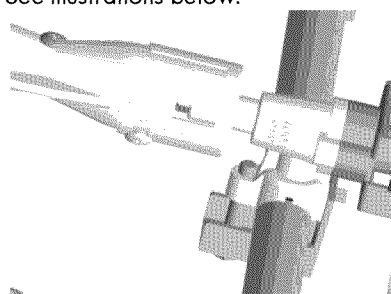


- (B) Use a narrow bottle brush with a flexible handle (do not use a brass wire brush), run the brush through each burner tube several times.

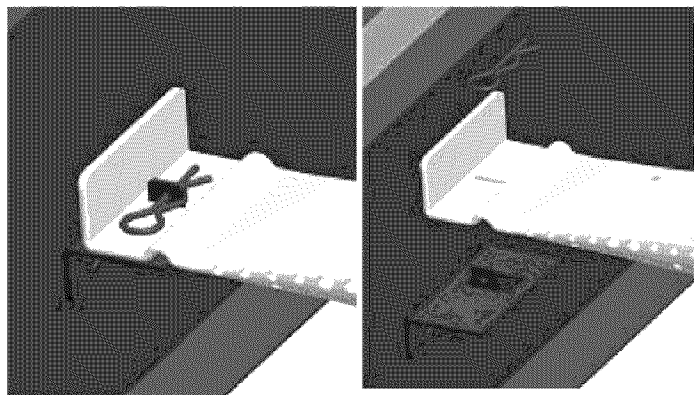
- (C) Wear eye protection: Use an air hose to force air into the burner tube and out the burner ports. Check each port to make sure air comes out each hole.

5. Wire brush entire outer surface of burner to remove food residue and dirt.
6. Clean any blocked ports with a stiff wire such as an open paper clip.
7. Check burner for damage, due to normal wear and corrosion some holes may become enlarged. If any large cracks or holes are found replace burner.

**VERY IMPORTANT:** Burner tubes must reengage valve openings. See illustrations below.

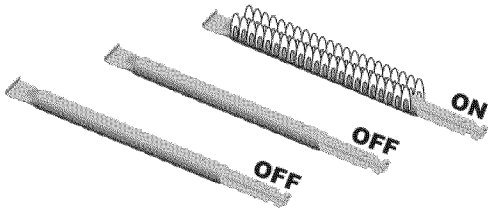


8. Carefully replace burners.
9. Attach burners to brackets with cotter pin.
10. Reposition carryover tubes and attach to burners. Replace heat diffusers and cooking grates.



### Indirect Cooking

Poultry and large cuts of meat cook slowly to perfection on the grill by indirect heat. Place food over unlit burner(s); the heat from lit burners circulates gently throughout the grill, cooking meat or poultry without the touch of a direct flame. This method greatly reduces flare-ups when cooking extra fatty cuts because there is no direct flame to ignite the fats and juices that drip during cooking.

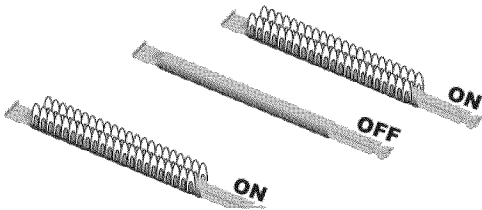


### 1 Burner Cooking

Cook with direct or indirect heat.  
Best for smaller meals or foods.  
Consumes less fuel.

### Indirect Cooking Instructions

- Always cook with the lid closed.
- Due to weather conditions, cooking times may vary. During cold and windy conditions the temperature setting may need to be increased to insure sufficient cooking temperature.
- Place food over over unlit burner (s).



### 2 Burner Cooking

Great indirect cooking on low.  
Produces slow, even heating.  
Ideal for slow roasting and baking.

### Food Safety

Food safety is a very important part of enjoying the outdoor cooking experience. To keep food safe from harmful bacteria, follow these four basic steps:

**Clean:** Wash hands, utensils, and surfaces with hot soapy water before and after handling raw meat and poultry.

**Separate:** Separate raw meats and poultry from ready-to-eat foods to avoid cross contamination. Use a clean platter and utensils when removing cooked foods.

**Cook:** Cook meat and poultry thoroughly to kill bacteria. Use a thermometer to ensure proper internal food temperatures.

**Chill:** Refrigerate prepared foods and leftovers promptly. For more information call: USDA Meat and Poultry Hotline at 1-800-535-4555 (In Washington, DC (202) 720-3333, 10:00 am 4:00 pm EST).

### How To Tell If Meat Is Grilled Thoroughly

- Meat and poultry cooked on a grill often browns very fast on the outside. Use a meat thermometer to be sure food has reached a safe internal temperature, and cut into food to check for visual signs of doneness.
- Whole poultry should reach 180° F; breasts, 170° F. Juices should run clear and flesh should not be pink.
- Hamburgers made of any ground meat or poultry should reach 160° F, and be brown in the middle with no pink juices. Beef, veal and lamb steaks, roasts and chops can be cooked to 145° F. All cuts of pork should reach 160° F.
- NEVER partially grill meat or poultry and finish cooking later. Cook food completely to destroy harmful bacteria.
- When reheating takeout foods or fully cooked meats like hot dogs, grill to 165° F, or until steaming hot.

**WARNING:** To ensure that it is safe to eat, food must be cooked to the minimum internal temperatures listed in the table below.

USDA* Recommended Safe Minimum Internal Temperatures	
Beef, Veal, Lamb and Pork – Whole Cuts**	145° F
Fish	145° F
Beef, Veal, Lamb and Pork – Ground	160° F
Egg Dishes	160° F
Turkey, Chicken & Duck – Whole, Pieces & Ground	165° F

\* United States Department of Agriculture

\*\*Allow meat to rest three minutes before carving or consuming.

## PARTS LIST

Key	Description	Qty	Part Number	Key	Description	Qty	Part Number
1	Warming Rack	1	61200202	35	Lid	1	61200004
2	Cooking Grate	3	61200203	36	Rotate Rod, Lid	2	50300207
3	Heat Diffuser	6	40800023	37	Front Silicone Rubber Bumper	2	40700103
4	Grease Tray	1	61200022	38	Logo Plate	1	40800106
5	Side Burner Grid	1	40800019	39	Lid Handle Seat	2	40900013
6	Right Side Shelf	1	61200045	40	Lid Handle	1	61200011
7	Side Burner Base	1	40800063	41	Firebox Silicone Rubber Bumper	2	50300205
8	Side Burner	1	40800123	42	Firebox	1	61200013
9	Side Burner Lid	1	40200044	43	Grease Cup	1	40800026
10	Rotate Axis, Side Burner Lid	1	61200216	44	Grease Cup Clip	1	40800131
11	Igniter Wire, Side Burner	1	61300105	45	Slider Bar	2	60200210
12	Fascia, Right Side Shelf	1	61200047	46	Slider Bar Bracket	1	61200083
13	Control Knob Bezel, Side Burner	1	61200400	47	Cotter Pin	10	110050
14	Control Knob	7	40900206	48	Main Burner	6	61200026
15	Side Shelf Bracket	2	61200056	49	Igniter Wire A, Main Burner	4	61200205
16	Folding Side Shelf	1	61200051	50	Igniter Wire B, Main Burner	2	61200206
17	Tank Heat Shield	1	61200024	51	Manifold, Main Burner	1	61200033
18	Tank Heat Shield Bracket	1	61200025	52	Gas Valve, Main Burner	6	61200204
19	Gas Hose Bracket	2	61300030	53	Regulator	1	40800115
20	Electronic Ignition Module	2	61200215	54	Side Burner Hose	1	61200214
21	Right Module Bracket	1	61300032	55	Gas Valve, Side Burner	1	61200213
22	Back Panel, Right Cabinet	1	61200091	56	Control Panel	1	61200028
23	Right Panel, Main Cabinet	1	61200060	57	Control Knob Bezel, Main Burner	6	40900036
24	Right Panel, Right Cabinet	1	61200093	58	Back Rail	1	61200065
25	Single Magnet Box	2	61200129	59	Door Bracket, Main Cabinet	1	61200067
26	Magnet	6	40200094	60	Left Top Hinge Pin Bracket	2	40200056
27	Right Cabinet Tank Baffle	1	61200098	61	Top Door Magnet Box	1	61300106
28	Door Bracket, Right Cabinet	1	61200100	62	Back Panel, Main Cabinet	1	61200062
29	Right Top Hinge Pin Bracket	2	40200057	63	Tank Baffle	1	40200070
30	Tool Bracket	1	61200107	64	Tank Holder	1	40800130
31	Right Cabinet Door	1	61200101	65	Left Bottom Shelf	1	61200109
32	Door Handle	4	61200217	66	Right Bottom Shelf	1	61200116
33	Right Door, Main Cabinet	1	61200072	67	Caster with brake	2	40900212
34	Temperature Gauge	1	61200201	68	Support Angel Bar	2	40900060

**NOTE: Some grill parts shown in the assembly steps may differ slightly in appearance from Those on your particular grill model. However, the method of assembly remains the same.**

## PARTS LIST

Key	Description	Qty	Part Number
69	Lower Door Magnet Box	1	40200072
70	Caster	2	40900213
71	Back Bottom Support Bar	1	61200125
72	Front Bottom Support Bar	1	61200127
73	Left Door, Main Cabinet	1	61200068
74	Hook	4	61200221
75	Push Bar	1	61200212
76	Left Side Shelf	1	61200035
77	Drawer Seat	1	61200043
78	Drawer Handle	1	61200211
79	Drawer Fascia	1	61200038
80	Back Panel, Left Cabinet	1	61200075
81	Match Holder Bracket	1	40800129
82	Match Holder	1	40800128
83	Left Panel, Main Cabinet	1	61200058
84	Left Panel, Left Cabinet	1	61200078
85	Left Module Bracket	1	61300031
86	Left Cabinet Shelf	1	61200084
87	Door Bracket, Left Cabinet	1	61200086
88	Left Cabinet Door	1	61200087
89	Match Holder Chain	1	120007

### Not Pictured

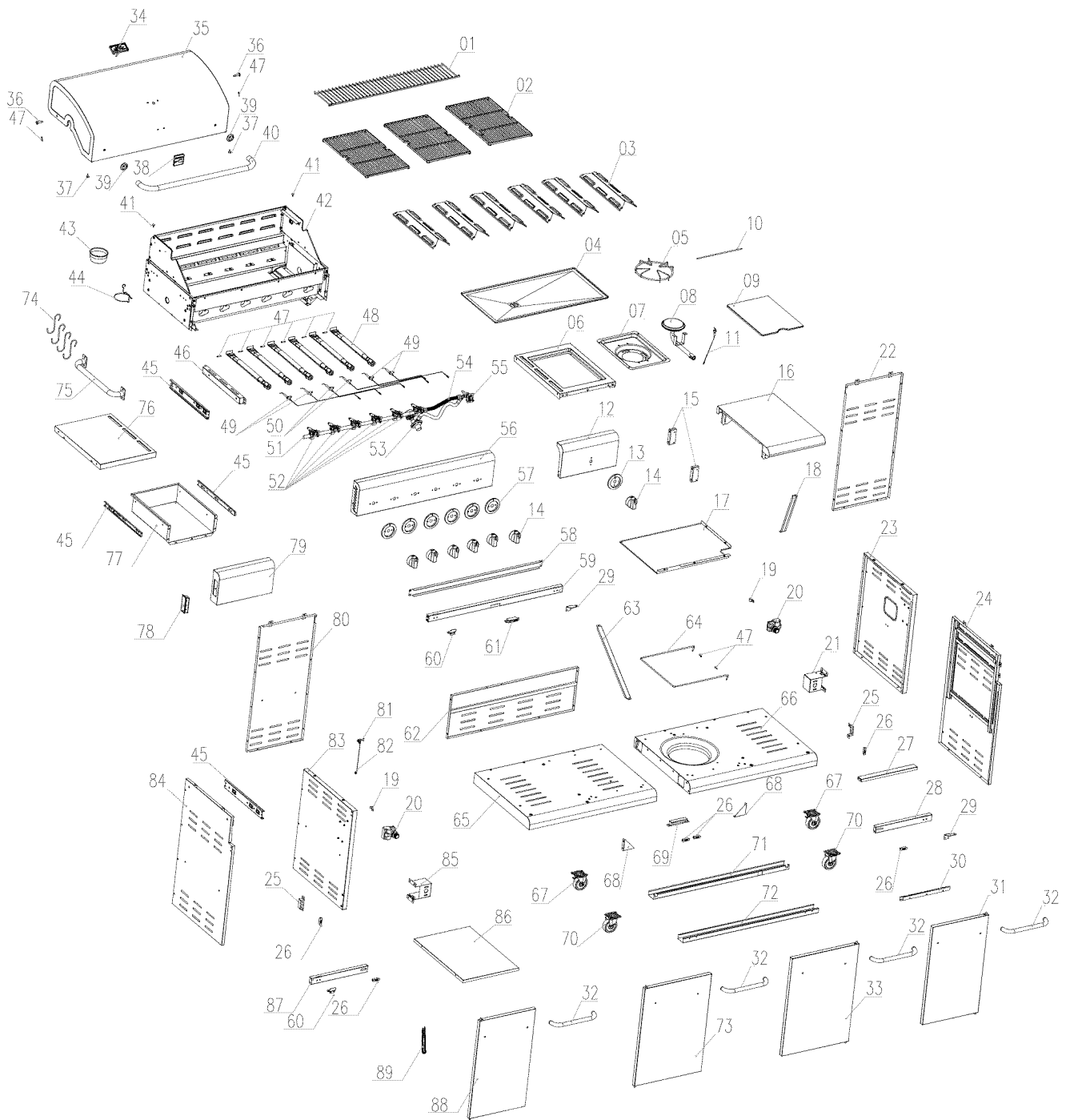
Hardware Pack	1	61200342
Manual	1	61200343

If you are missing hardware or have damaged parts after unpacking grill, call 1-888-287-0735 for replacement.

To order replacement parts after using grill, call 1-800-4-MY-HOME®

**NOTE: Some grill parts shown in the assembly steps may differ slightly in appearance from Those on your particular grill model. However, the method of assembly remains the same.**

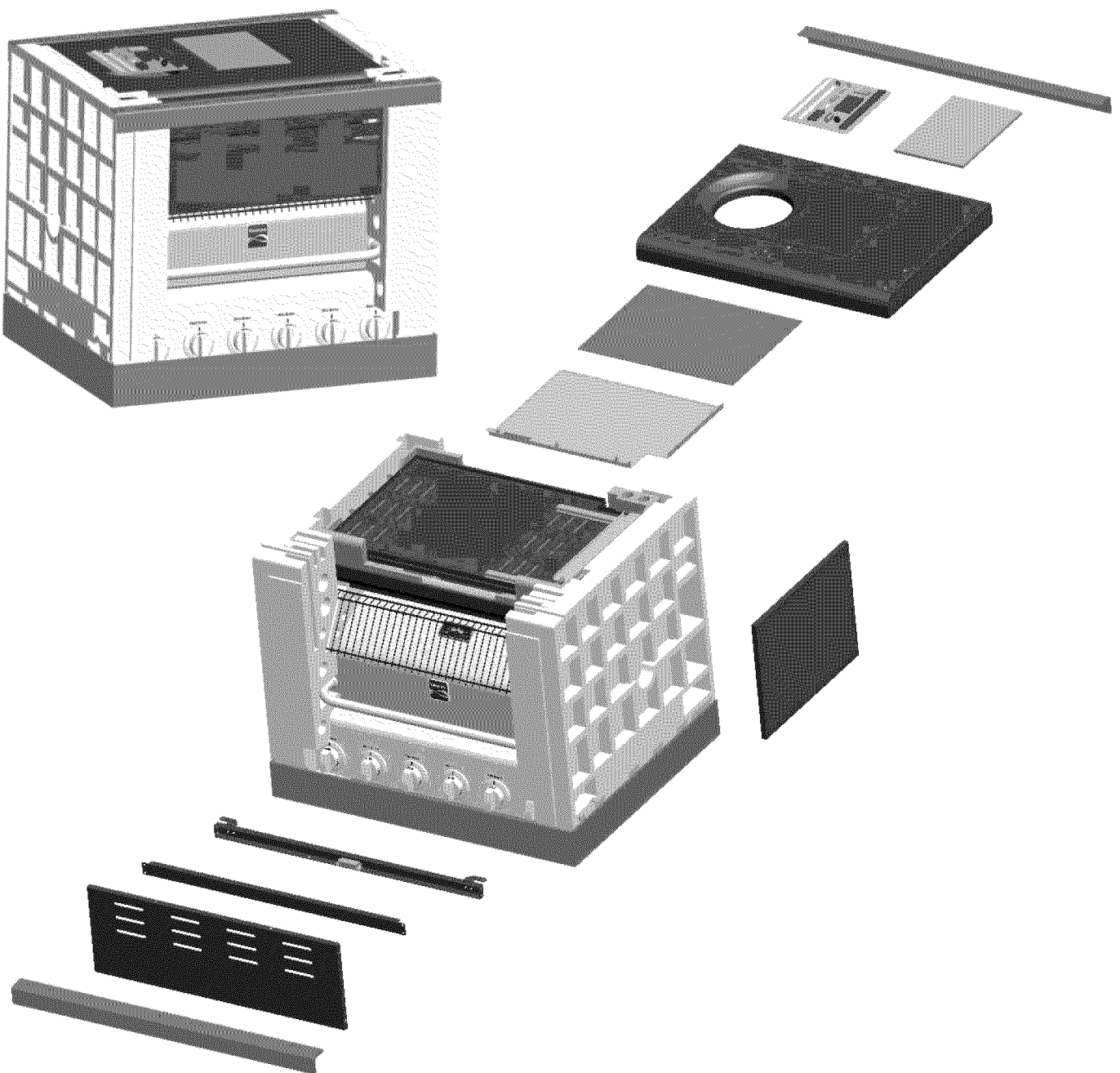
# DIAGRAM



## BEFORE ASSEMBLY

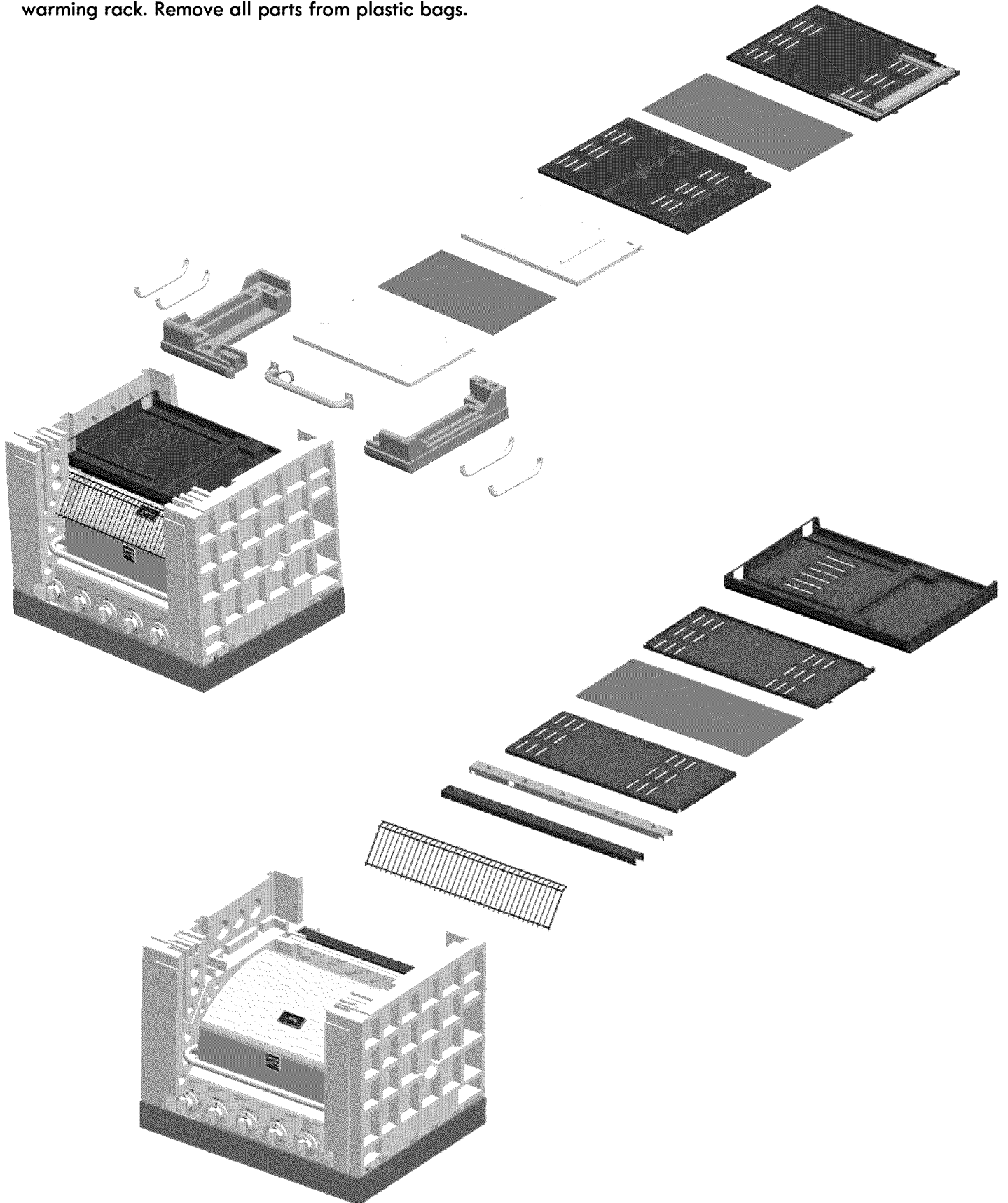
READ AND FOLLOW THE INSTRUCTIONS BELOW TO CORRECTLY UNPACK GRILL PARTS FROM SHIPPING BOX.

Step 1: Once you open the top of the shipping box, grasp box by the top flaps and raise it up and away from the packaged grill. Take out the Hardware Pack, manual, right bottom shelf and tank heat shield from top, also take out left cabinet shelf from side. Next remove the door bracket, back rail and back panel from front. Remove all parts from plastic bags.



## BEFORE ASSEMBLY

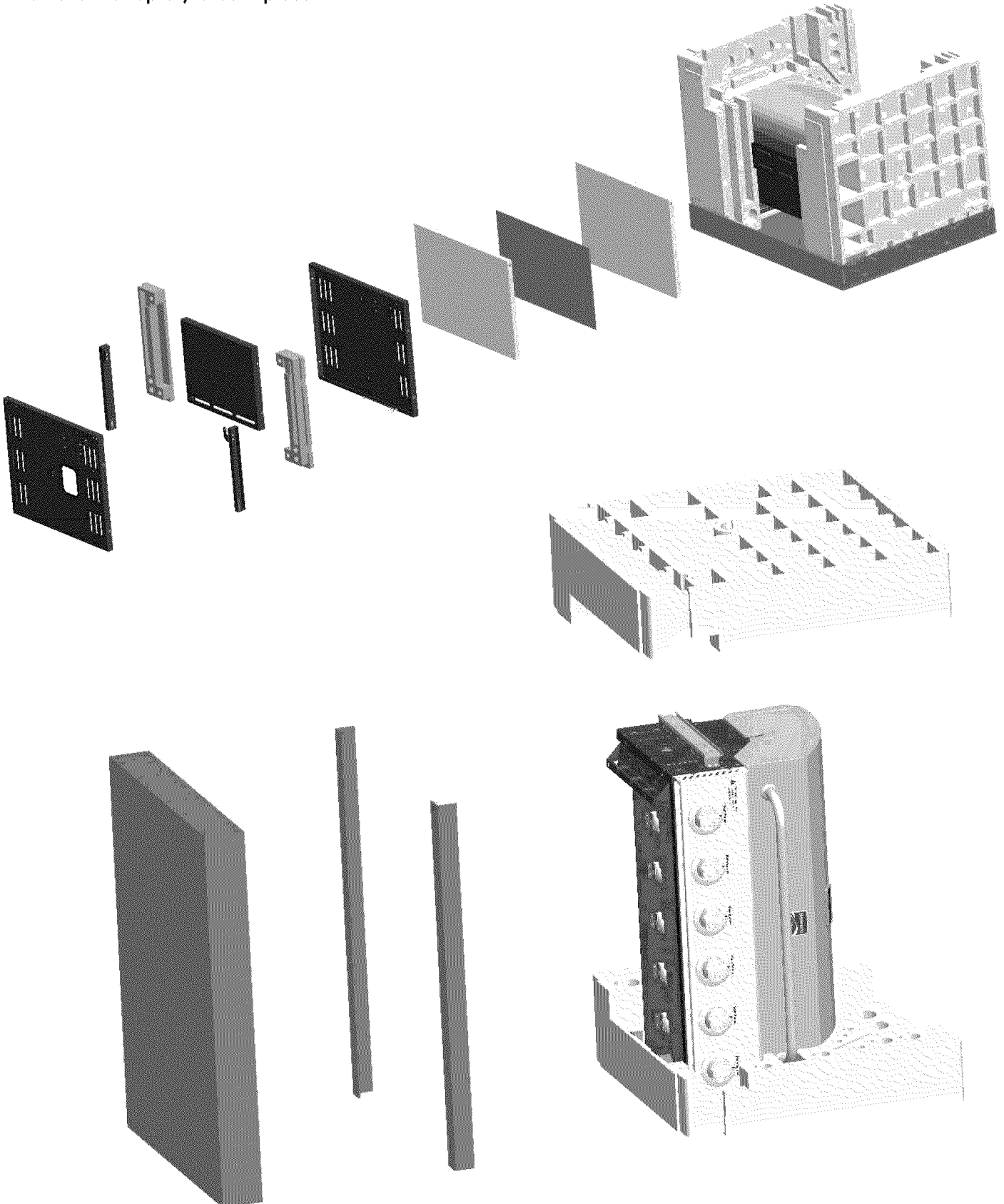
Step 2: Continue to remove the left panel of left cabinet, right panel of right cabinet, right cabinet door, left cabinet door, push bar with hooks and door handles from top. Next, remove the left bottom shelf, left panel and right panel of main cabinet, back and front bottom support bars and warming rack. Remove all parts from plastic bags.



## BEFORE ASSEMBLY

Step 3: Remove the right panel of main cabinet, door brackets of left and right cabinets, left panel of main cabinet and doors of main cabinet from back.

With the aid of an assistant, turn grill head over on its side as shown in the second figure below, and remove the top Styrofoam piece.



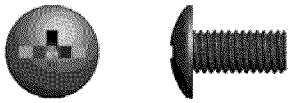
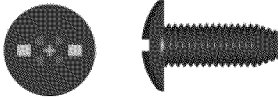

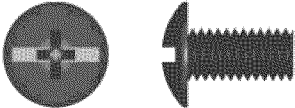


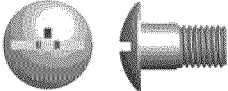
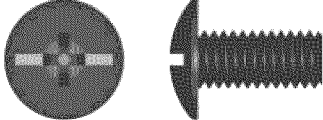
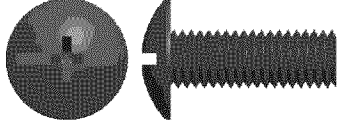

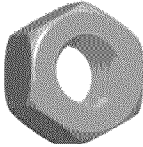


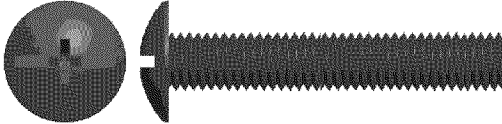


# ASSEMBLY

CAREFULLY READ AND PERFORM ALL ASSEMBLY INSTRUCTIONS ON THE FOLLOWING PAGES.

**Tools Required:**

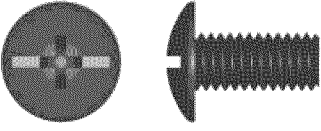
- Adjustable wrench (not provided)
- Screwdriver (not provided)
- 7/16" Combination wrench (not provided)
- The following hardware is provided in a blister pack for convenient use.

<p>M4X8 screw Qty: 4 pcs</p> 	<p>M4X10 screw Qty:104 pcs</p> 	<p>M4 nut Qty: 4 pcs</p> 
<p>M5X10 screw Qty: 2 pcs</p> 	<p>M5 flat washer Qty: 2 pcs</p> 	<p>Cotter Pin Qty: 2 pcs</p> 
<p>M6X12 shoulder screw Qty: 2 pcs</p> 	<p>M6X13 screw Qty: 33 pcs</p> 	<p>M6X17 screw Qty:8 pcs</p> 
<p>M6 compression washer Qty: 8pcs</p> 	<p>M6 nut Qty: 5pcs</p> 	<p>M6 flat washer Qty: 12pcs</p> 
<p>AA Battery Qty: 2pcs</p> 	<p>M6X40 screw Qty:12 pcs</p> 	

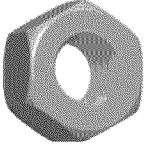
# 1

## Bottom Shelf

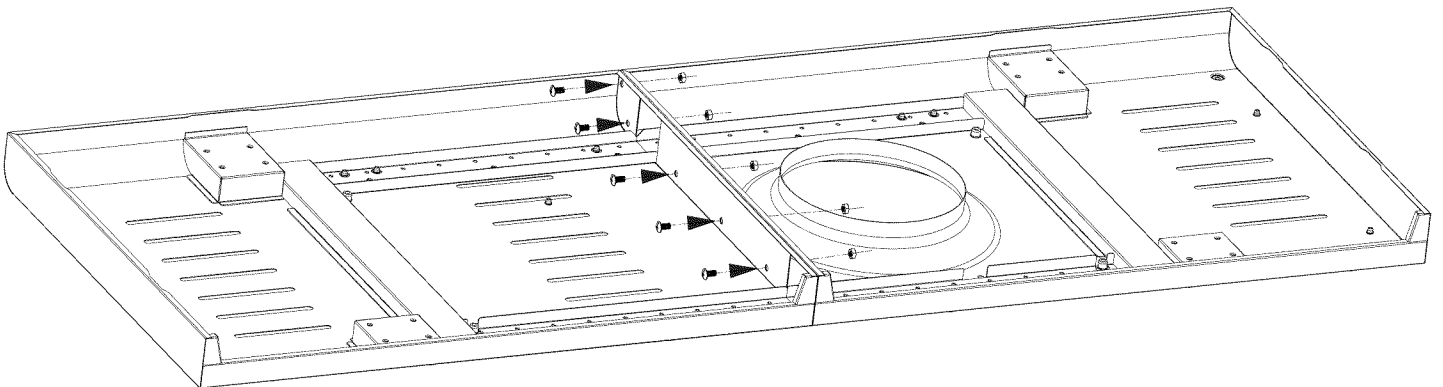
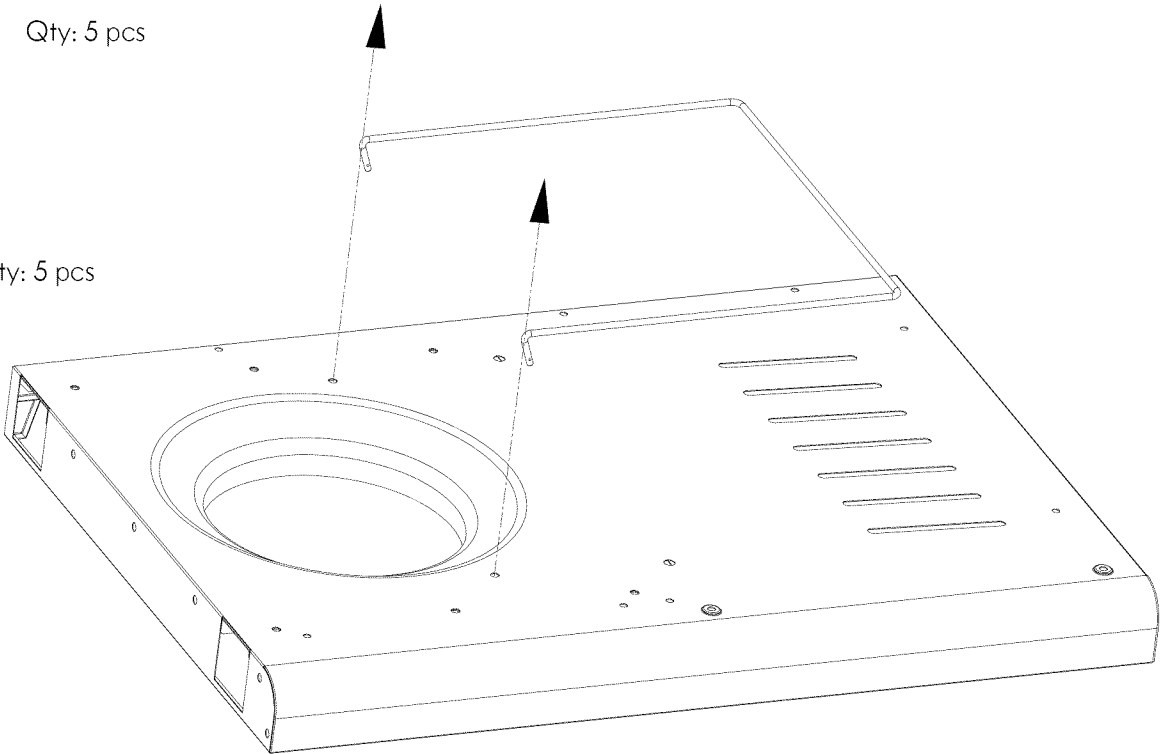
- Remove tank holder from bottom shelf with tank hole.
- Turn both bottom shelves upside down. Align and connect them with **(5) M6x13 Screws** and **M6 Nuts** as shown. Tighten securely.



M6X13 screw Qty: 5 pcs



M6 Nut Qty: 5 pcs

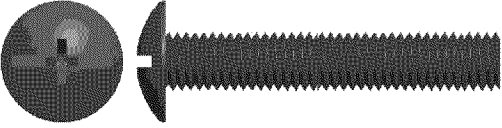


# 1

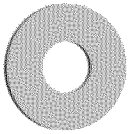
## Bottom Shelf (continued)

**IMPORTANT:** Double check the positioning of all parts in this step before inserting and tightening screws.

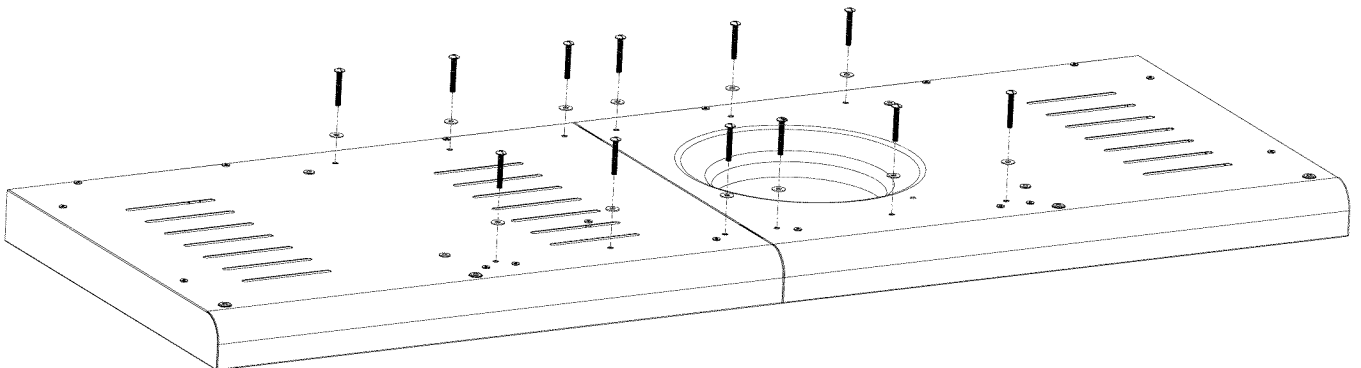
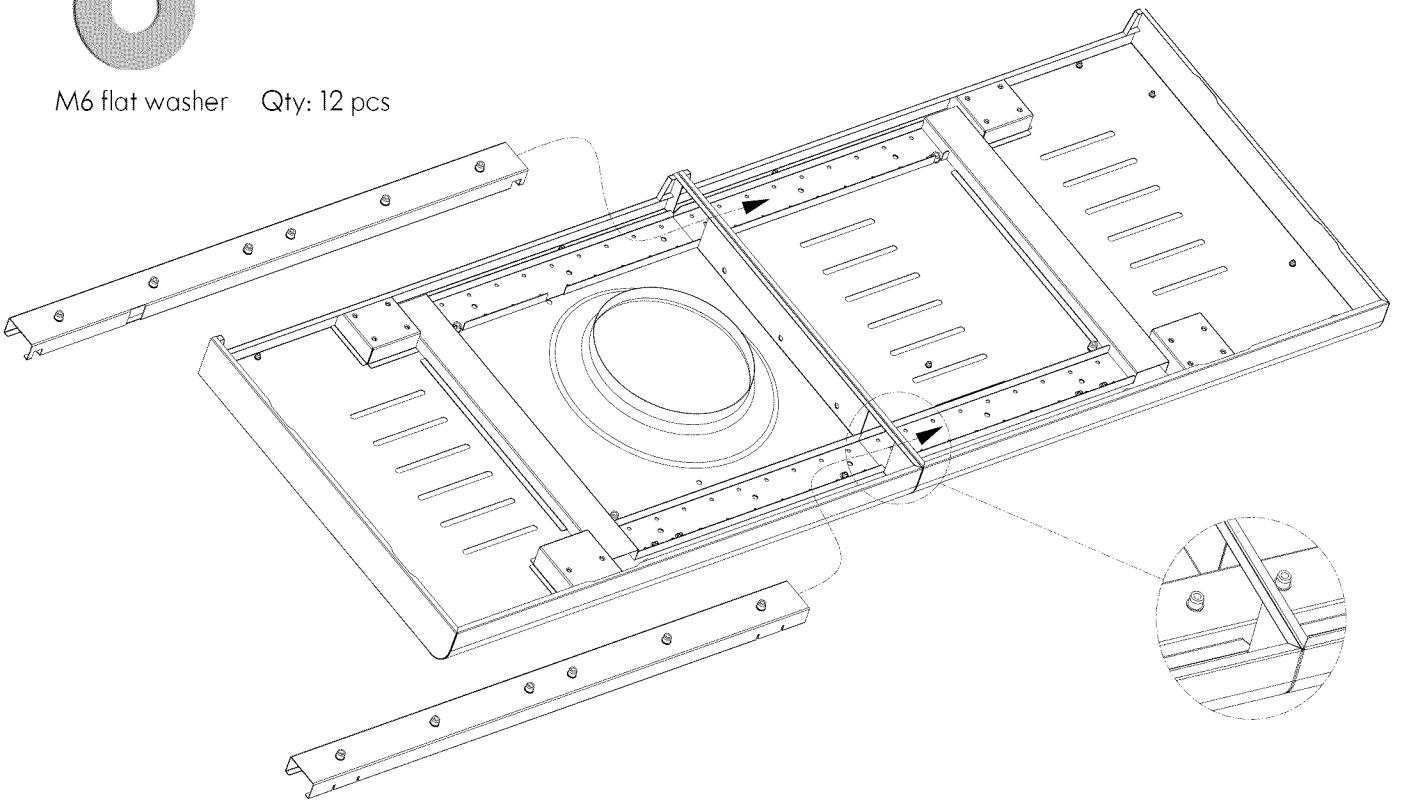
- Insert the two bottom shelf support bars through the square holes at middle of bottom shelf as shown. Note: Insert the support bar with square cutouts at the rear of the bottom shelf.
- Align the screw holes on bars with the holes on bottom shelf. Once in position, push down hard on the bars to snap them all the way down.
- Turn shelf right side up, and use (12) M6x40 screws and M6 flat washers to connect bars to shelf.



M6X40 screw Qty: 12 pcs



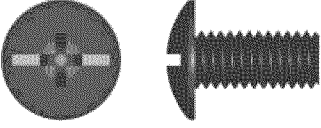
M6 flat washer Qty: 12 pcs



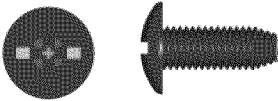
# 2

## Casters

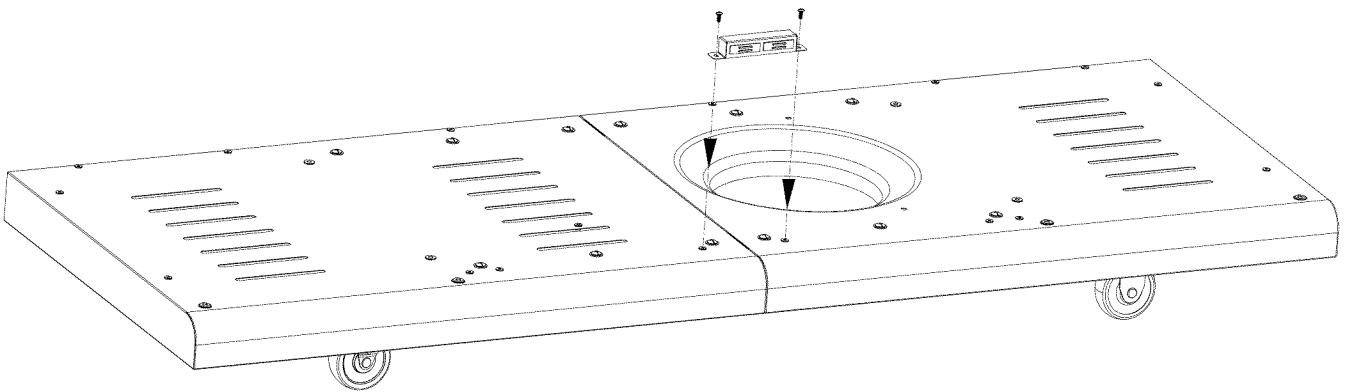
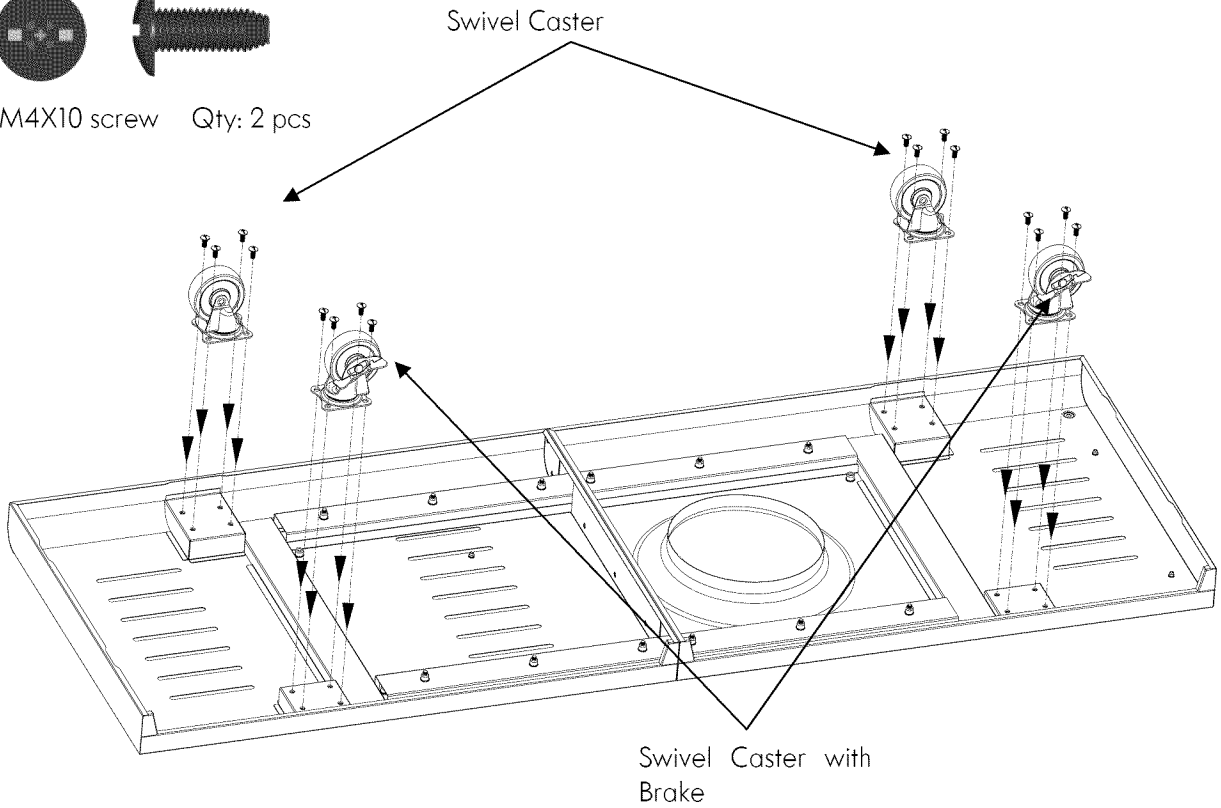
- Turn bottom shelf upside down. Attach casters to bottom shelf with **(16)** M6x13 screws. **IMPORTANT:** Install each caster into the correct position as shown in the figure below.
- Turn shelf right side up. Attach main cabinet door magnets to shelf with **(2)** M4x10 screws.



M6X13 screw Qty: 16 pcs



M4X10 screw Qty: 2 pcs



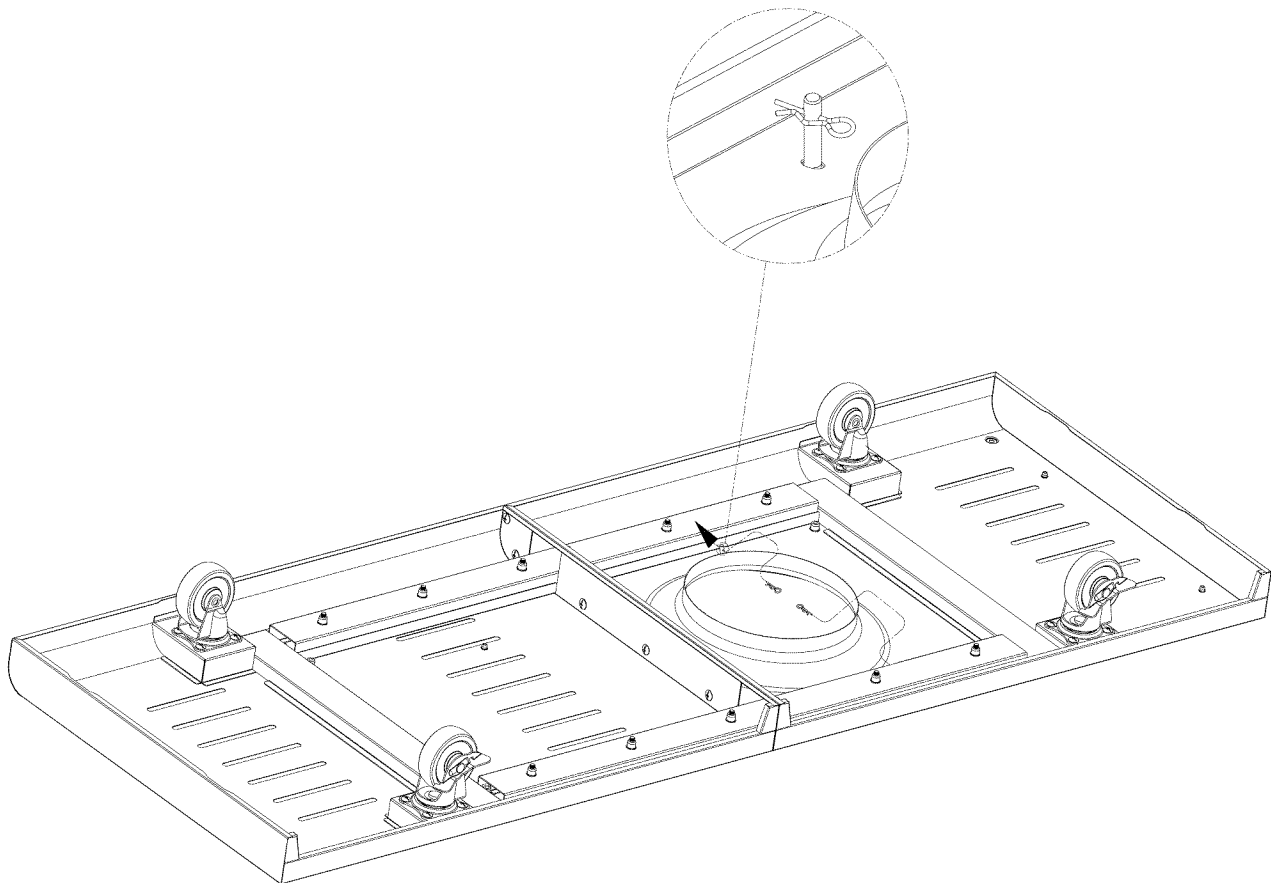
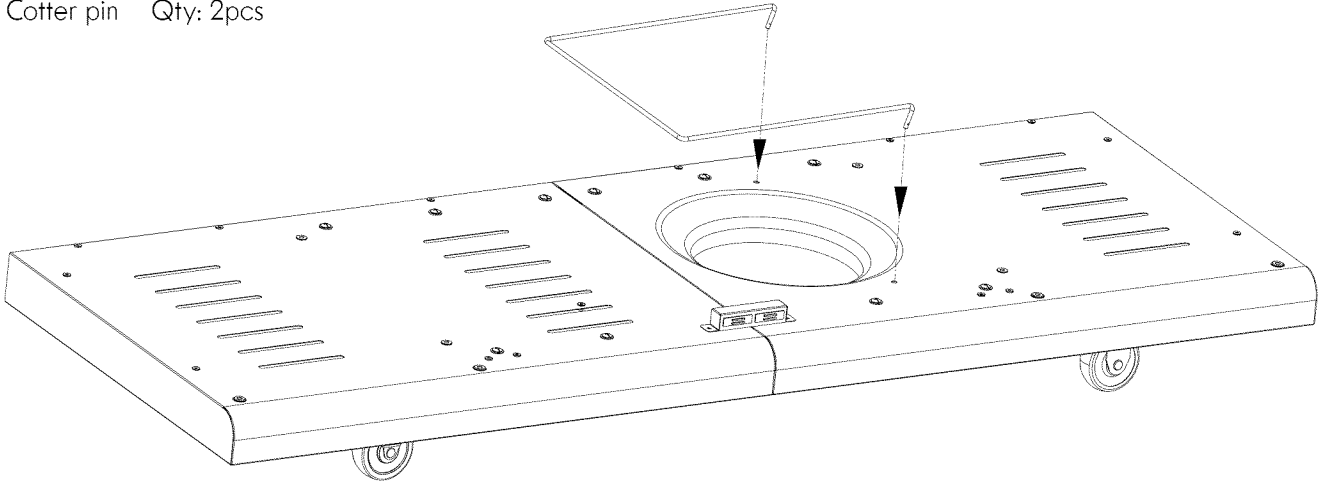
# 3

## Tank Holder

- Insert the tank holder ends into the holes on bottom shelf as shown.
- Turn the shelf upside down, and use (2) cotter pins to secure the ends under the shelf.



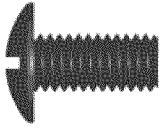
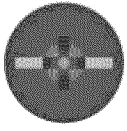
Cotter pin Qty: 2pcs



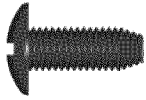
# 4

## Grill Cart Main Cabinet

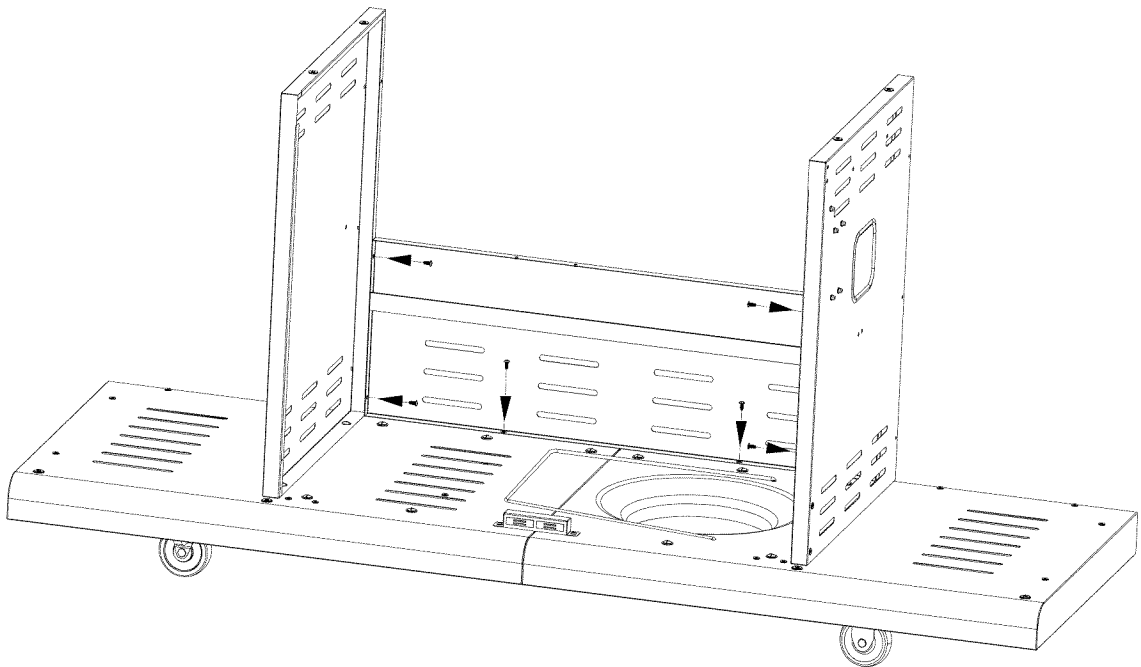
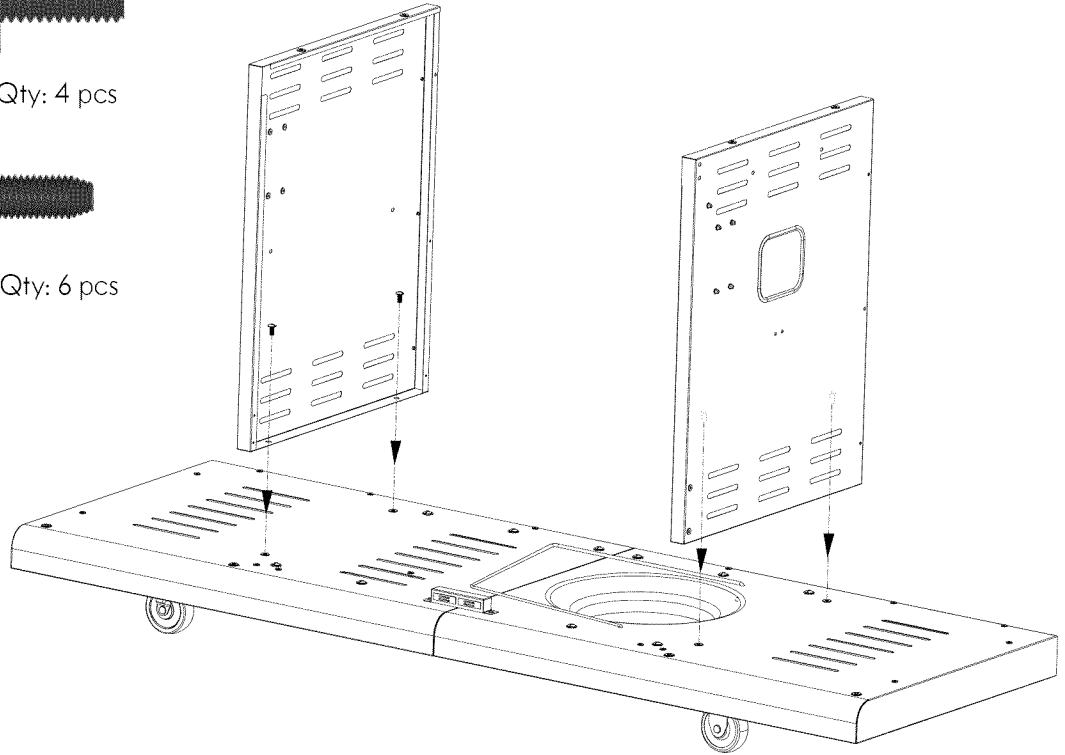
- To attach main cabinet side panels, align panel bottom holes with holes on bottom shelf. Right Side panel has a square hole cutout as show.
- Attach left and right panels to bottom shelf with **(4)** M6x13 screws.
- Attach back panel to bottom shelf and side panels with **(6)** M4x10 screws.



M6X13 screw Qty: 4 pcs



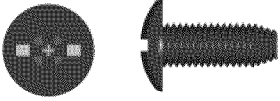
M4X10 screw Qty: 6 pcs



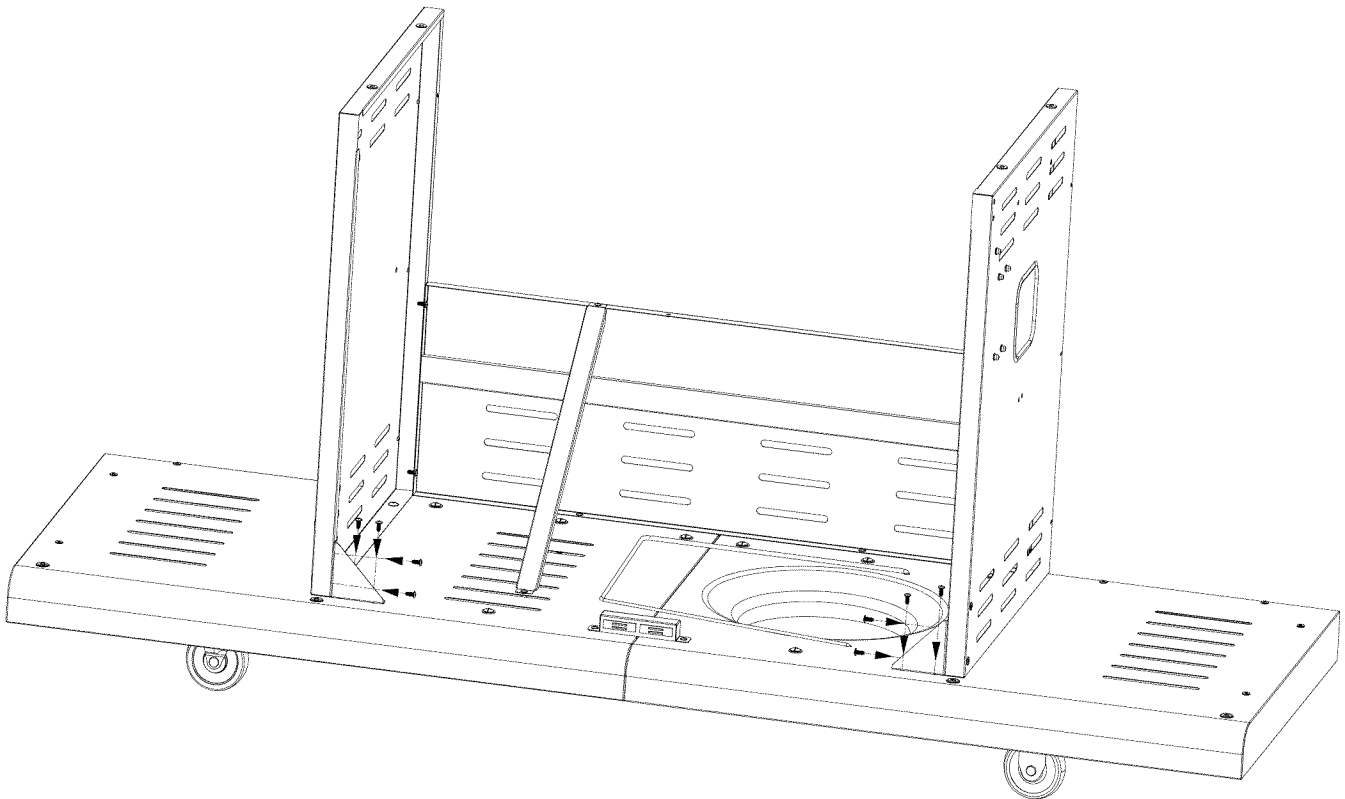
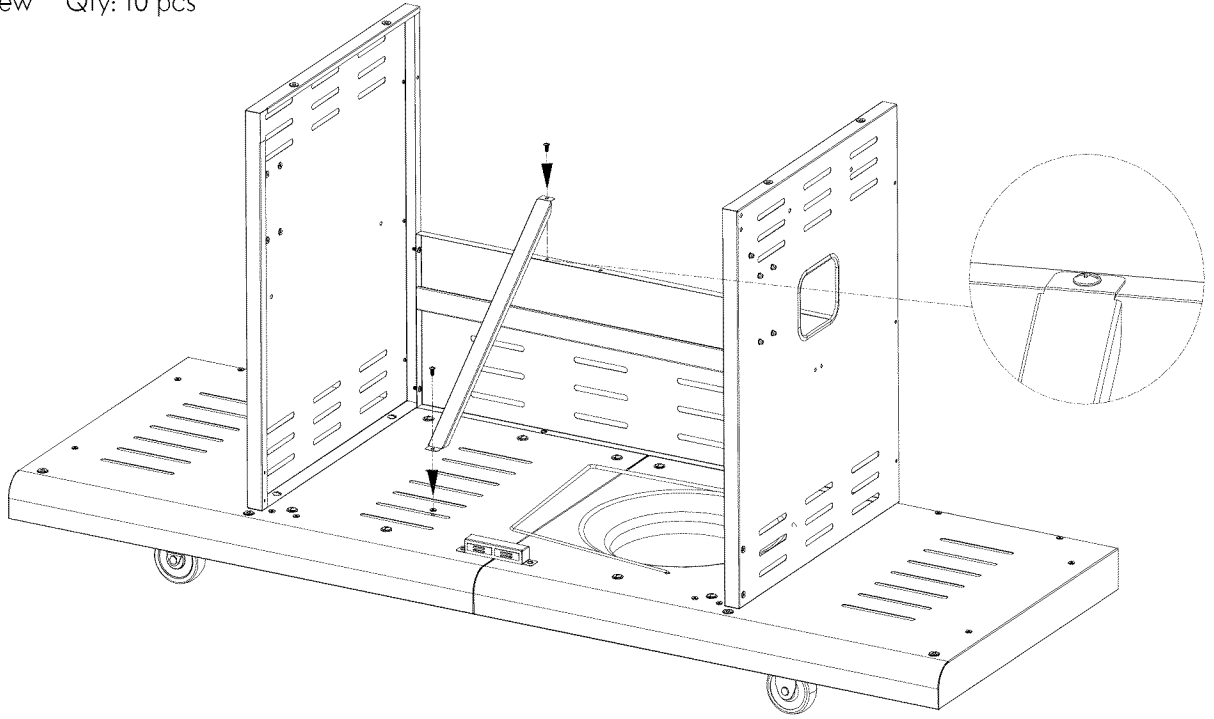
# 4

## Grill Cart Main Cabinet ( continued)

- Attach tank baffle bar to back panel and bottom shelf with (2) M4x10 screws.
- Align the holes in the cart support angle bars with holes on bottom shelf and side panels. Attach angle bars with (8) M4x10 screws.



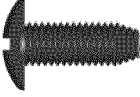
M4X10 screw Qty: 10 pcs



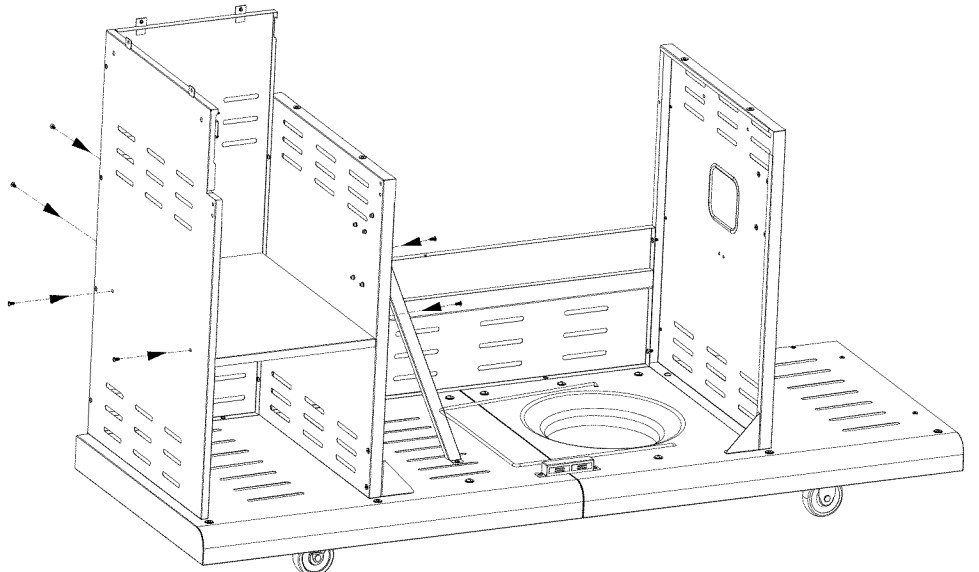
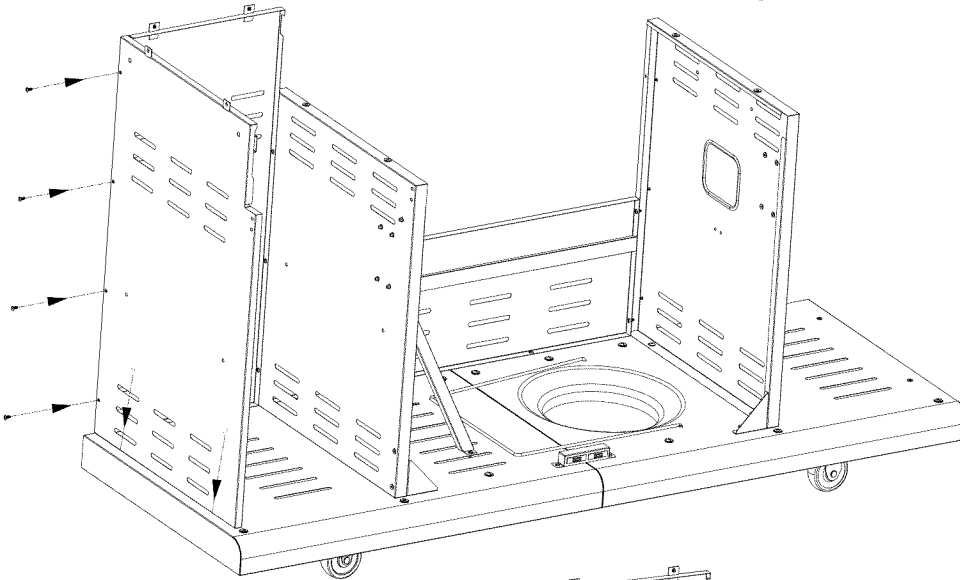
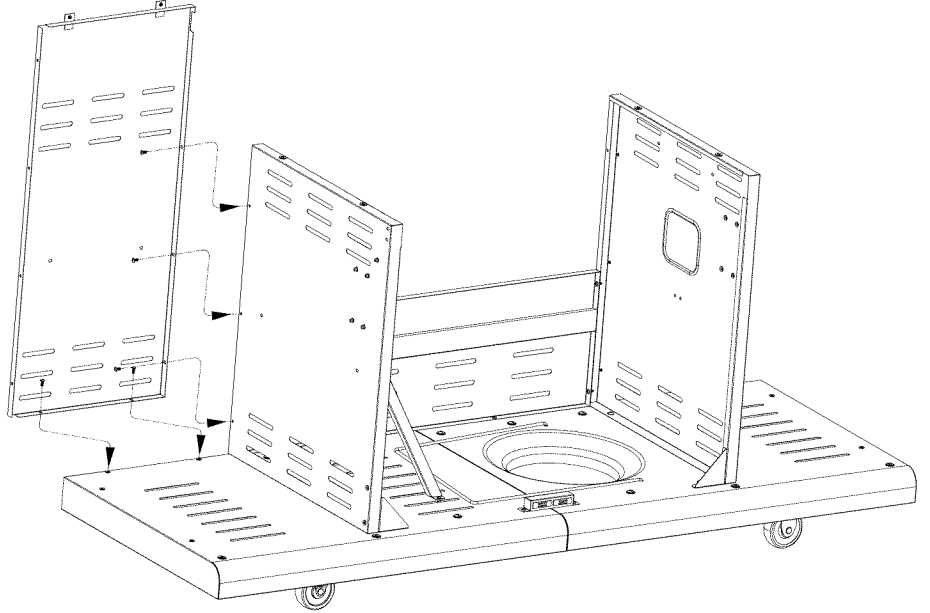
# 5

## Grill Cart Left Cabinet

- Attach back panel of left cabinet to bottom shelf and main cabinet left panel with (5) M4x10 screws. Note: Left cabinet back panel has two holes in middle.
- Fit back edge of left cabinet outer panel over left cabinet back panel. Attach left cabinet outer panel to bottom shelf and left cabinet back panel with (6) M4x10 screws. Note: Left cabinet outer panel has drawer slide at top.
- Insert left cabinet shelf into place, and secure with (6) M4x10 screws as show.



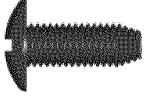
M4X10 screw Qty: 17 pcs



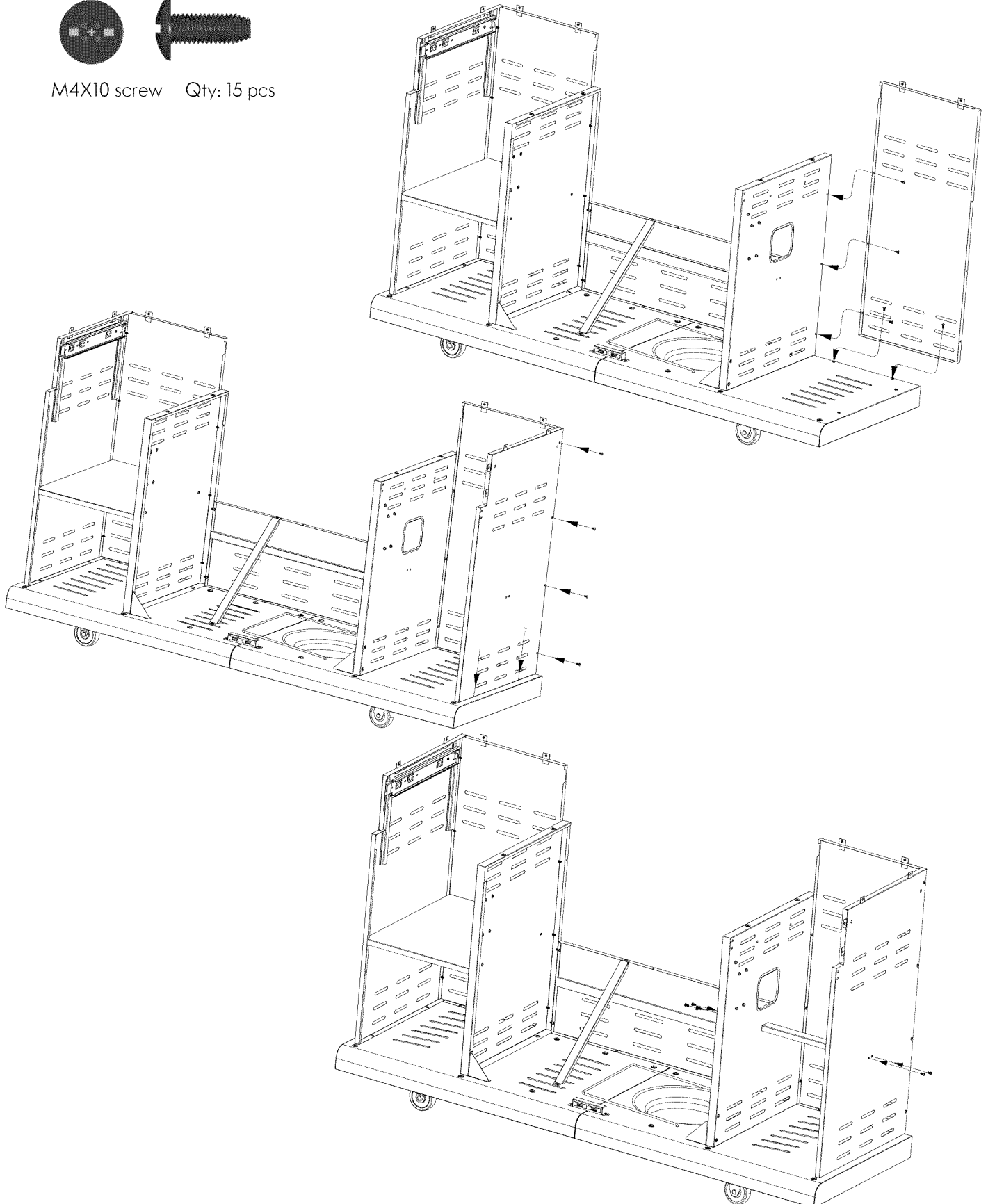
# 6

## Grill Cart Right Cabinet

- Attach back panel of right cabinet to bottom shelf and main cabinet right panel with (5) M4x10 screws.
- Fit back edge of right cabinet outer panel over right cabinet back panel. Attach right cabinet outer panel to bottom shelf and right cabinet back panel with (6) M4x10 screws.
- Insert right cabinet tank baffle into place, and secure with (4) M4x10 screws as shown.



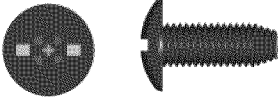
M4X10 screw Qty: 15 pcs



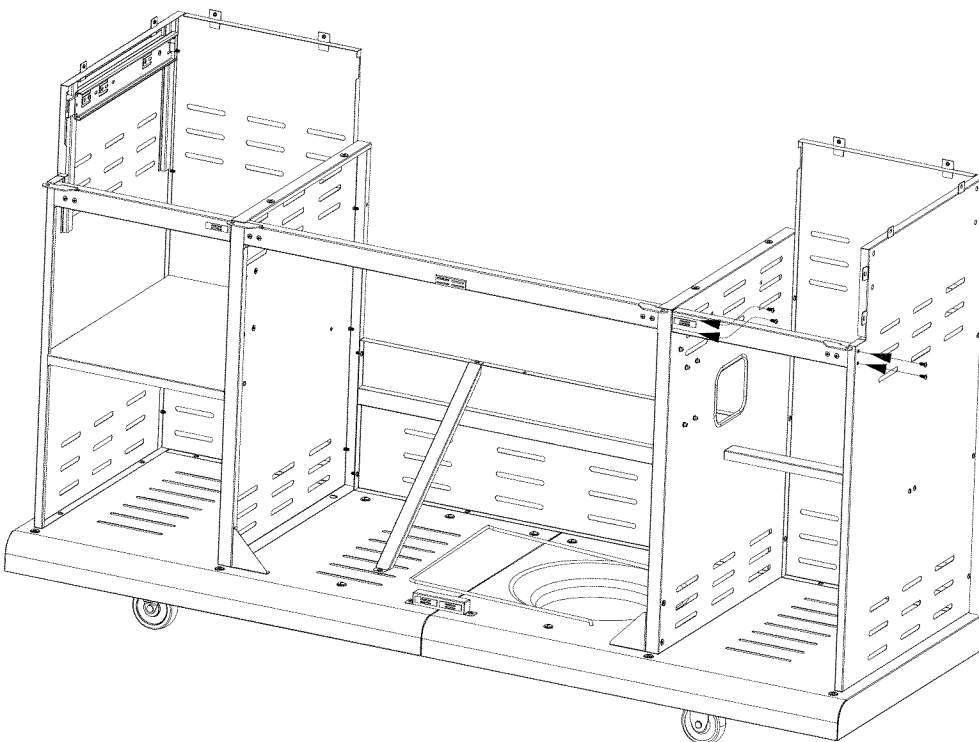
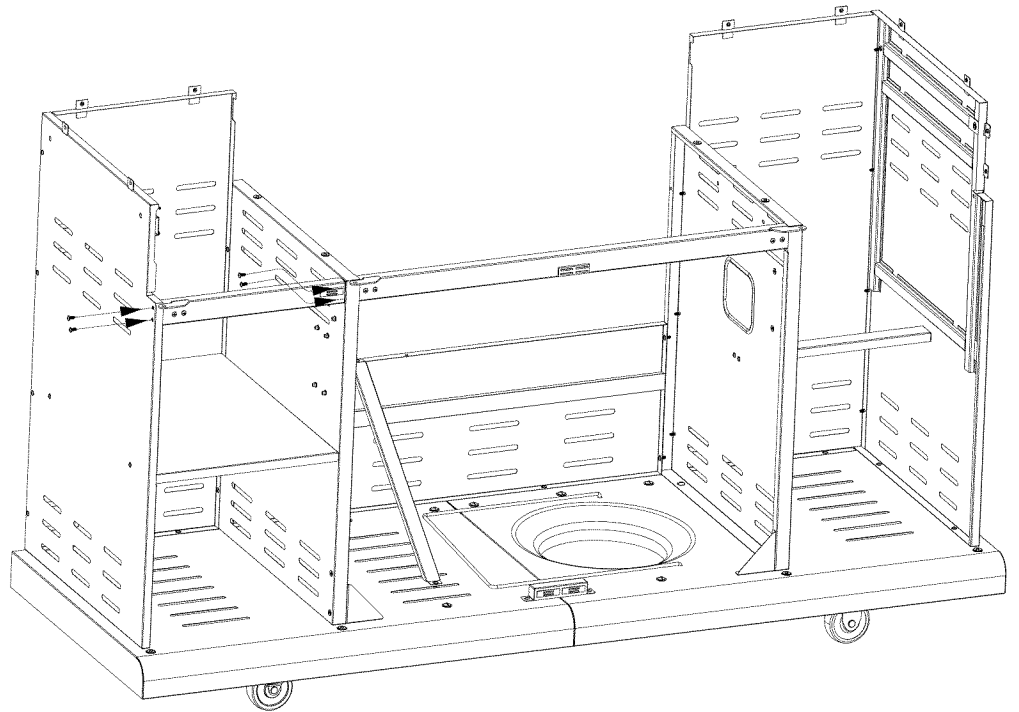
# 7

## Door Brackets

- Insert main cabinet door bracket into place between main cabinet side panels as shown. Note: Be sure to position bracket with magnets at bottom.
- Use (2) M4x10 screws to attach hinge end of left cabinet door bracket to left cabinet outer panel. Use (2) M4x10 screws to attach magnet end of bracket through main cabinet panel to main cabinet door bracket.
- Use (2) M4x10 screws to attach hinge end of right cabinet door bracket to right cabinet outer panel. Use (2) M4x10 screws to attach magnet end of bracket through main cabinet panel to main cabinet door bracket.



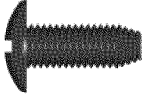
M4X10 screw Qty: 8 pcs



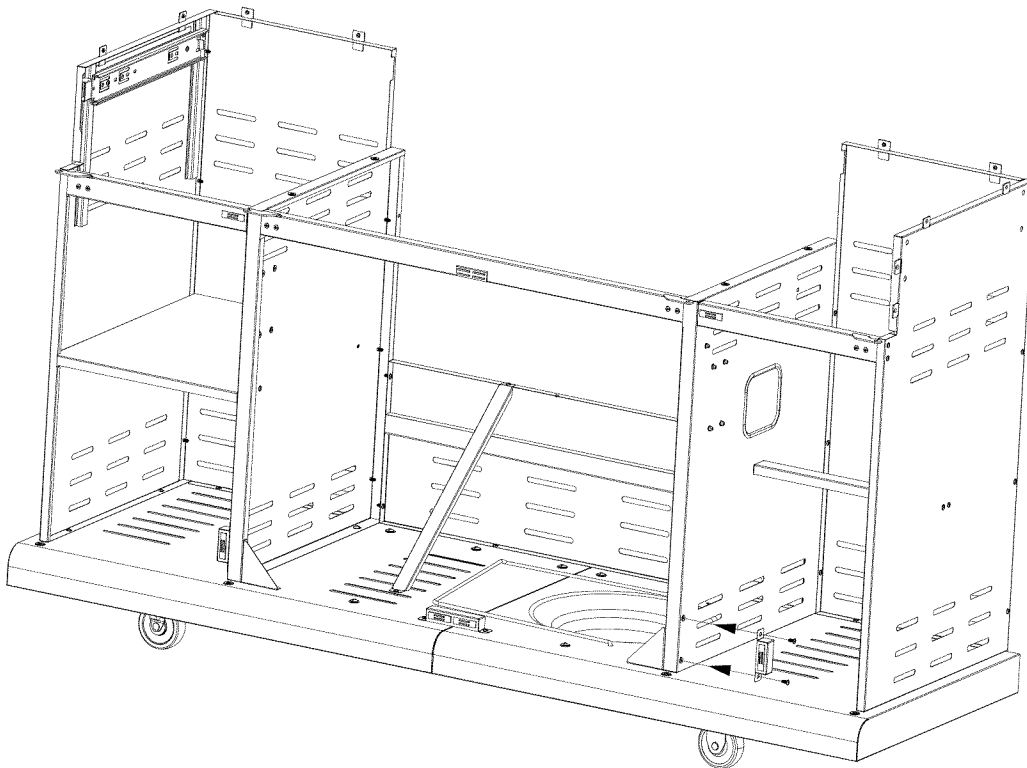
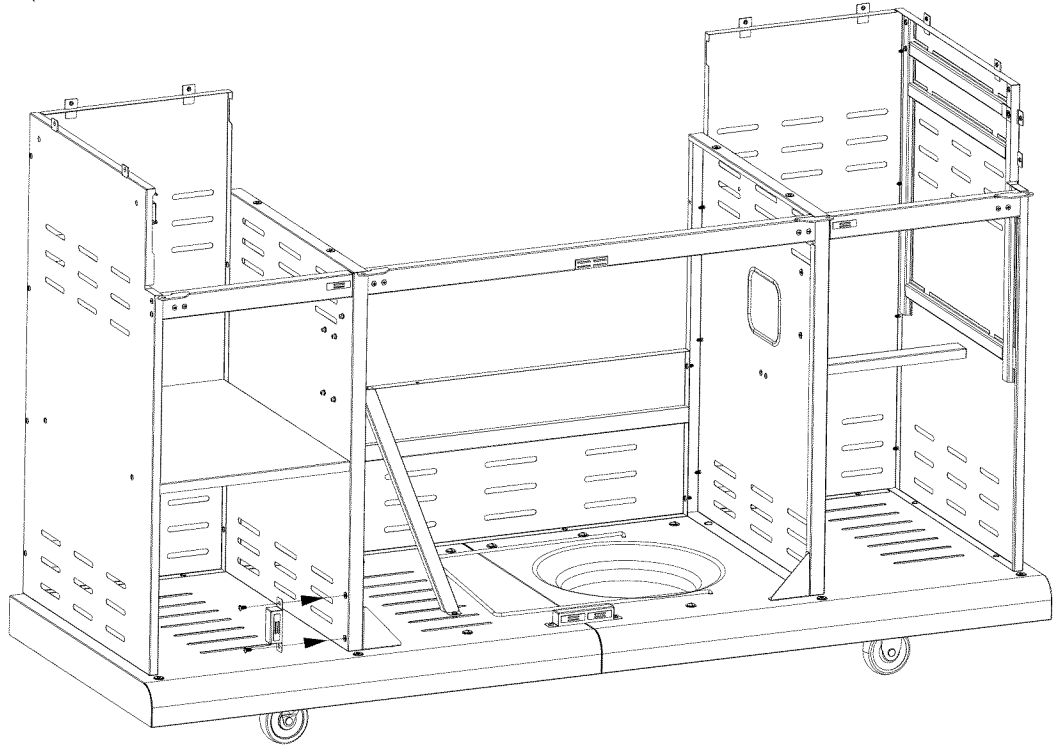
# 8

## Side Cabinet Door Magnets

- Attach left cabinet door magnets to main cabinet side panel with (2) M4x10 screws.
- Attach right cabinet door magnets to main cabinet side panel with (2) M4x10 screws.



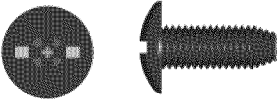
M4X10 screw Qty: 4 pcs



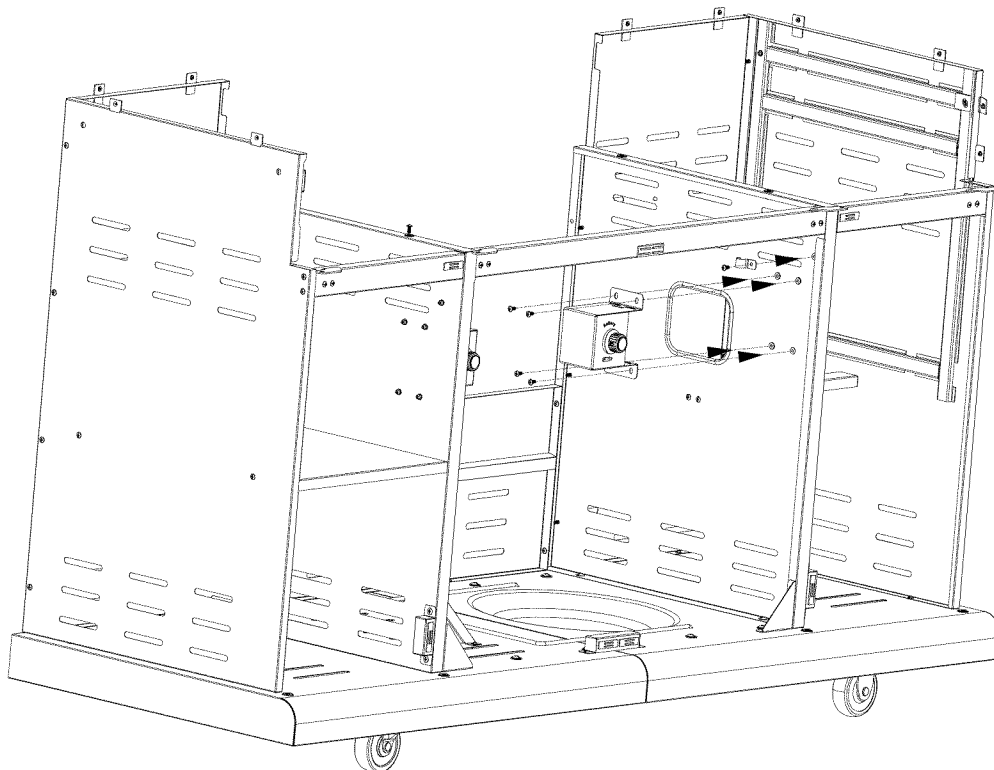
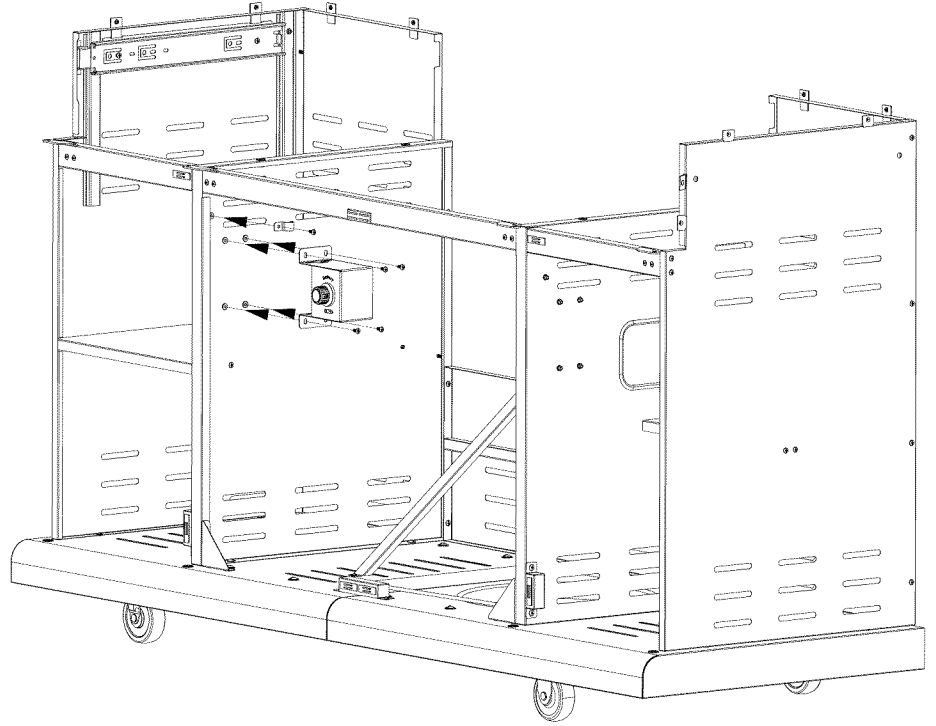
# 9

## Ignition Modules

- Attach left ignition module box to main cabinet left panel with (4) M4x10 screws. Also attach ignition wire clip to panel with (1) M4x10 screw as shown.
- Attach right ignition module box to main cabinet right panel with (4) M4x10 screws. Also attach ignition wire clip to panel with (1) M4x10 screw as shown.



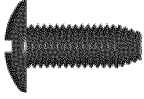
M4X10 screw Qty: 10 pcs



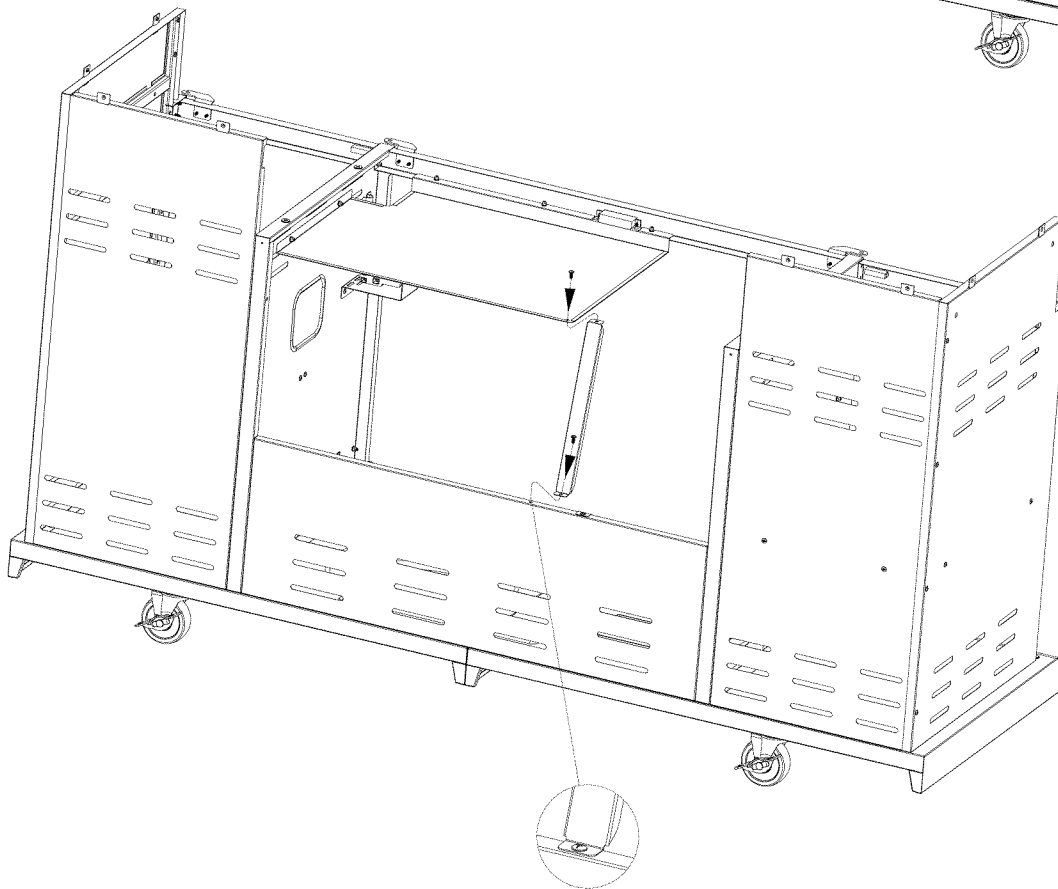
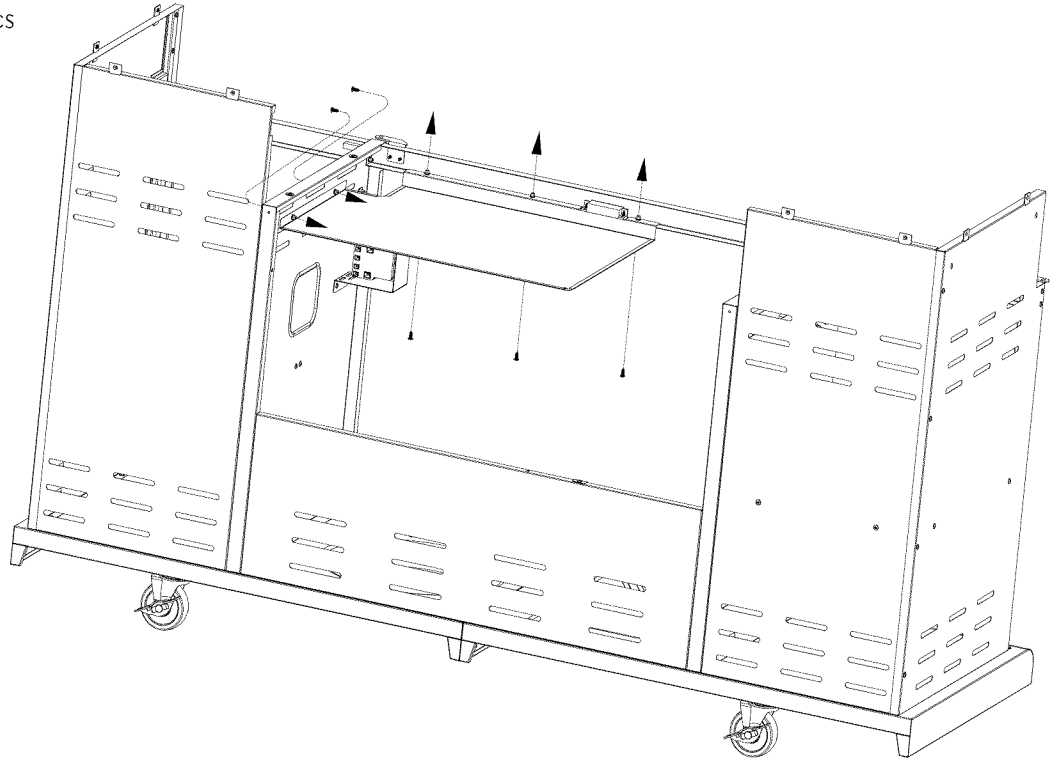
# 10

## Heat Insulation Panel

- Attach heat insulation panel to door bracket and right side panel with (5) M4x10 screws.
- Attach heat insulation panel bracket to heat insulation panel and back panel with (2) M4x10 screws as shown.



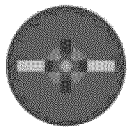
M4X10 screw Qty: 7 pcs



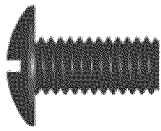
# 11

## Grill Head to Cart

- This step requires two people to lift and position grill head onto cart.
- If not already done, remove tie wraps securing regulator hose and ignition wires to underside of grill head. Pull hose out to side of main cabinet.
- Carefully lower grill head onto the cart. Make sure the regulator hose hangs outside the main cabinet and into the right cabinet. Left ignition wires hang directly into the main cabinet. Right side ignition wires must be routed through cutout in heat insulation panel to hang into main cabinet. See Figure A.
- Open lid and attach inside corners of grill head to cart with (4) M6x13 screws and M6 compression washers. See Figure B.
- Attach back rail to back of grill head and cart with (4) M4x10 screws as shown.



M6X13 screw



Qty: 4 pcs



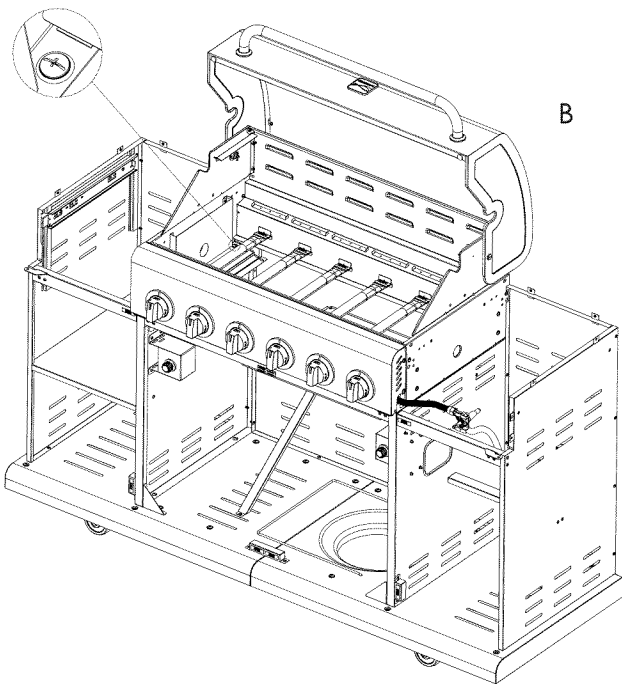
M6 compression washer  
Qty: 4 pcs



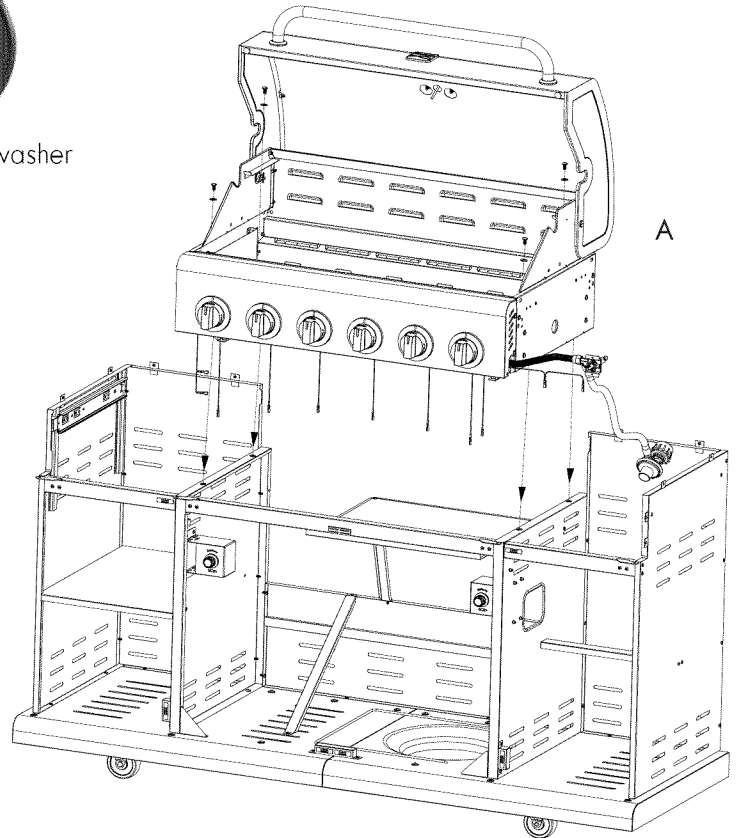
M4X10 screw



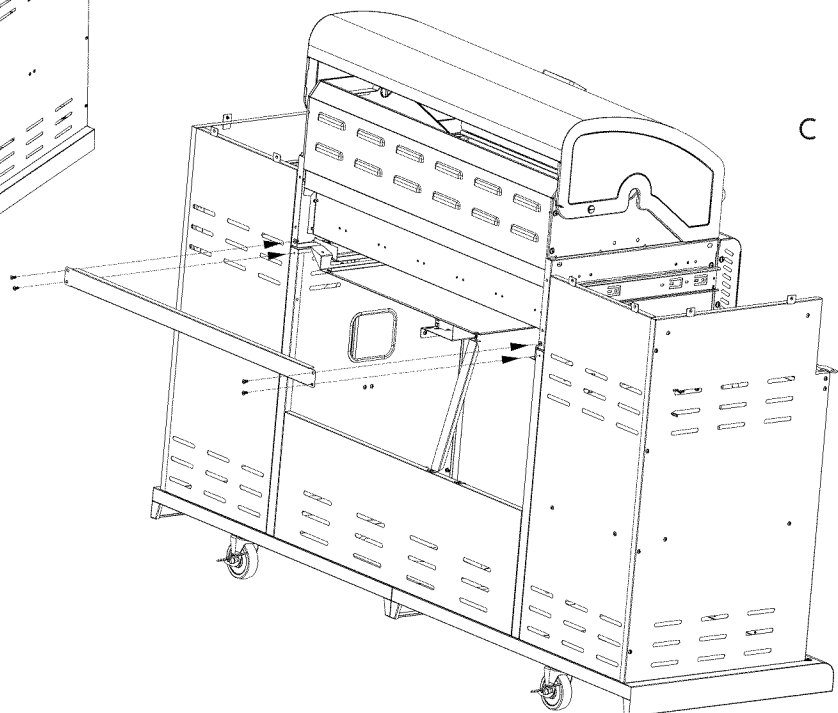
Qty: 4 pcs



B



A

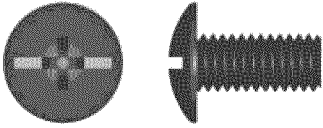


C

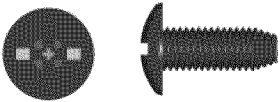
# 12

## Left Side Shelf

- Place left side shelf on top of left cabinet as shown A.
- Attach shelf to grill head with (2) M6x13 screws and M6 compression washers from inside of firebox as shown B.
- Attach shelf to left cabinet with (4) M4x10 screws as shown C.



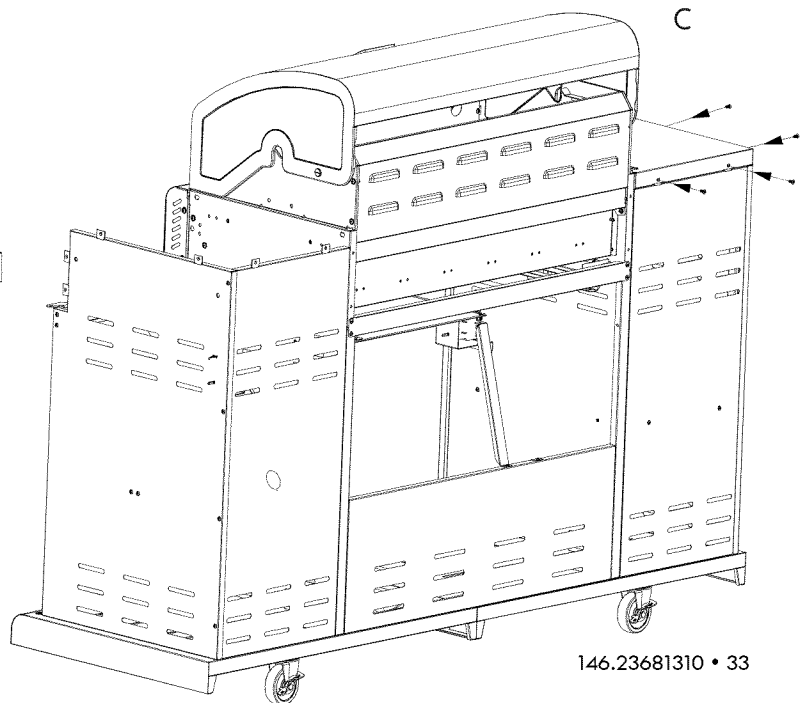
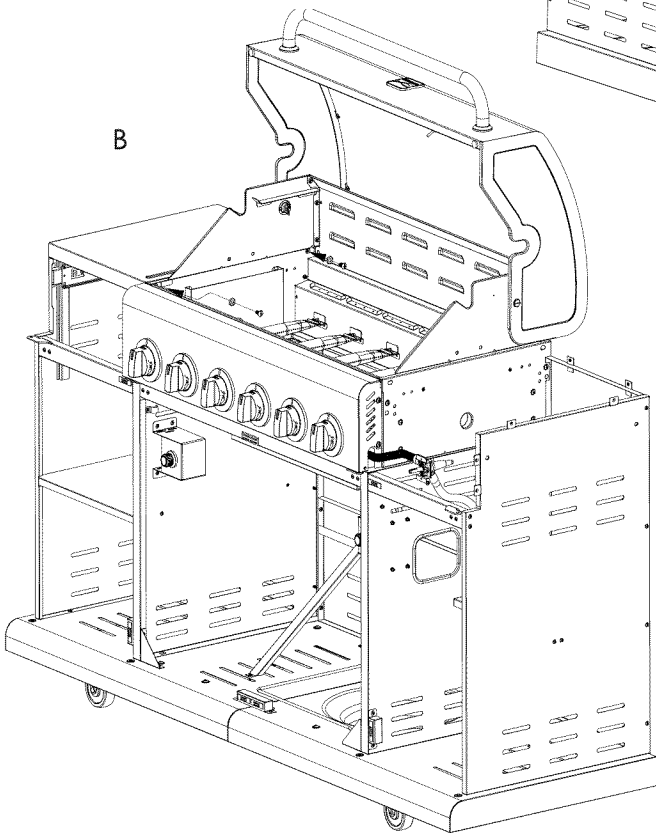
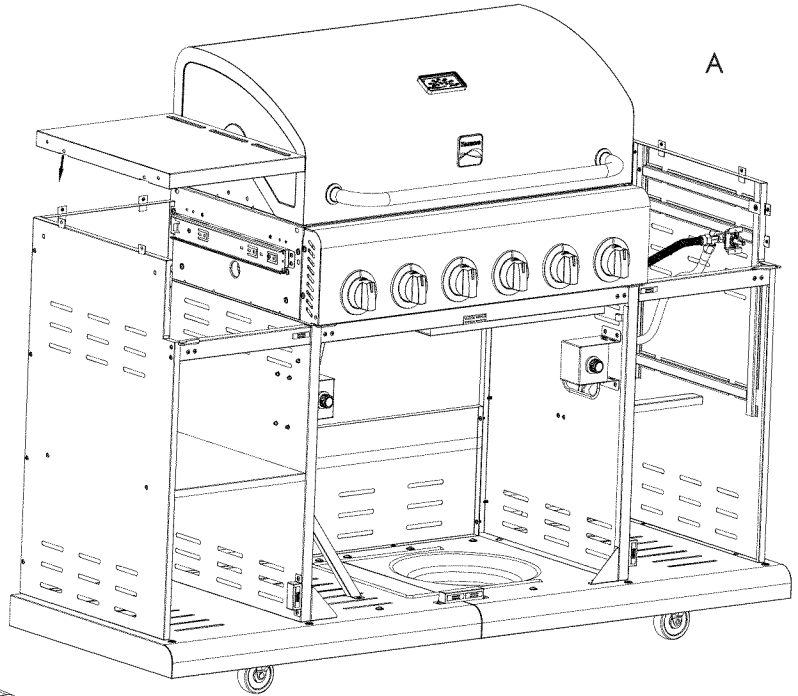
M6X13 screw Qty: 2 pcs



M4X10 screw Qty: 4 pcs



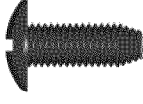
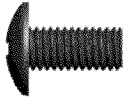
M6 compression washer Qty: 2 pcs



# 13

## Drawer

- Attach slide bars to sides of drawer with (4) M4x8 screws and M4 nuts as shown A.
- Attach drawer to front panel with (7) M4x10 screws as shown B.
- Pull the two cabinet slide bars (C) all the way out. Insert drawer side bars into cabinet slide bars and push drawer all the way in.

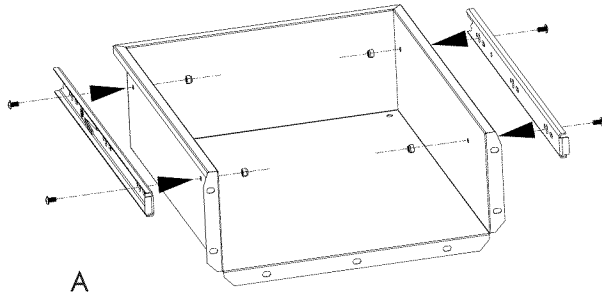
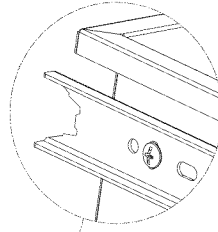


M4X8 screw Qty: 4 pcs

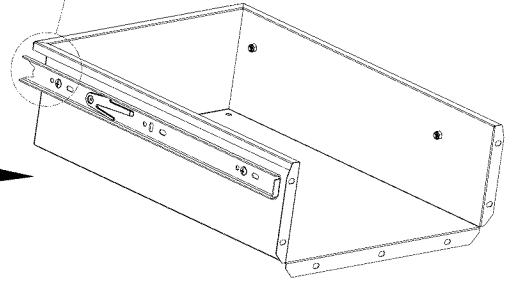
M4X10 screw Qty: 7 pcs



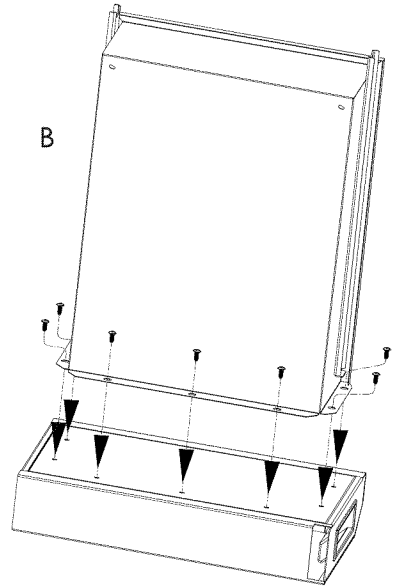
M4 nut Qty: 4 pcs



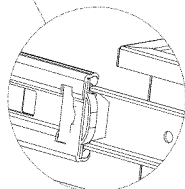
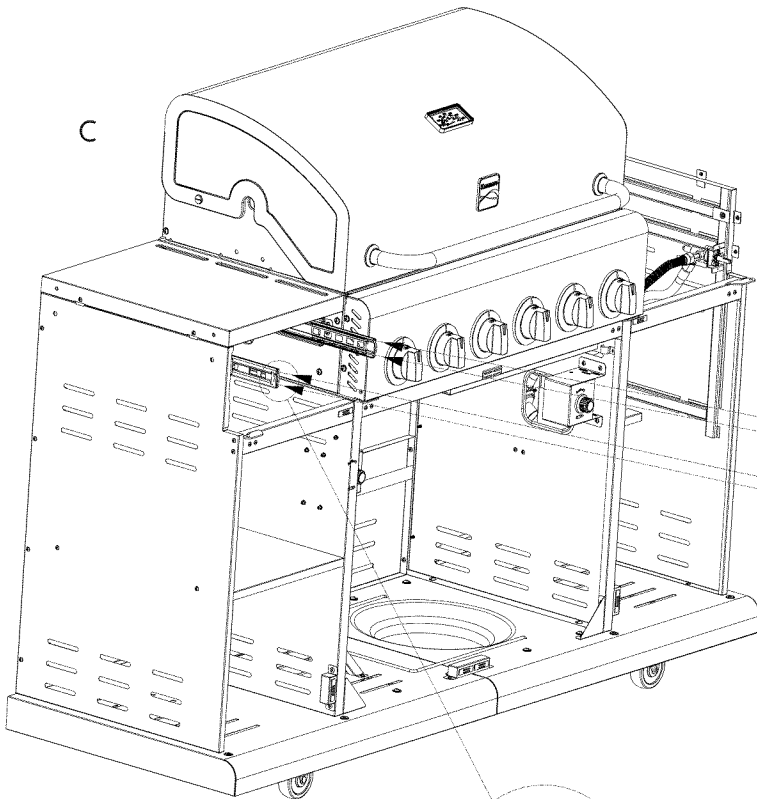
A



B



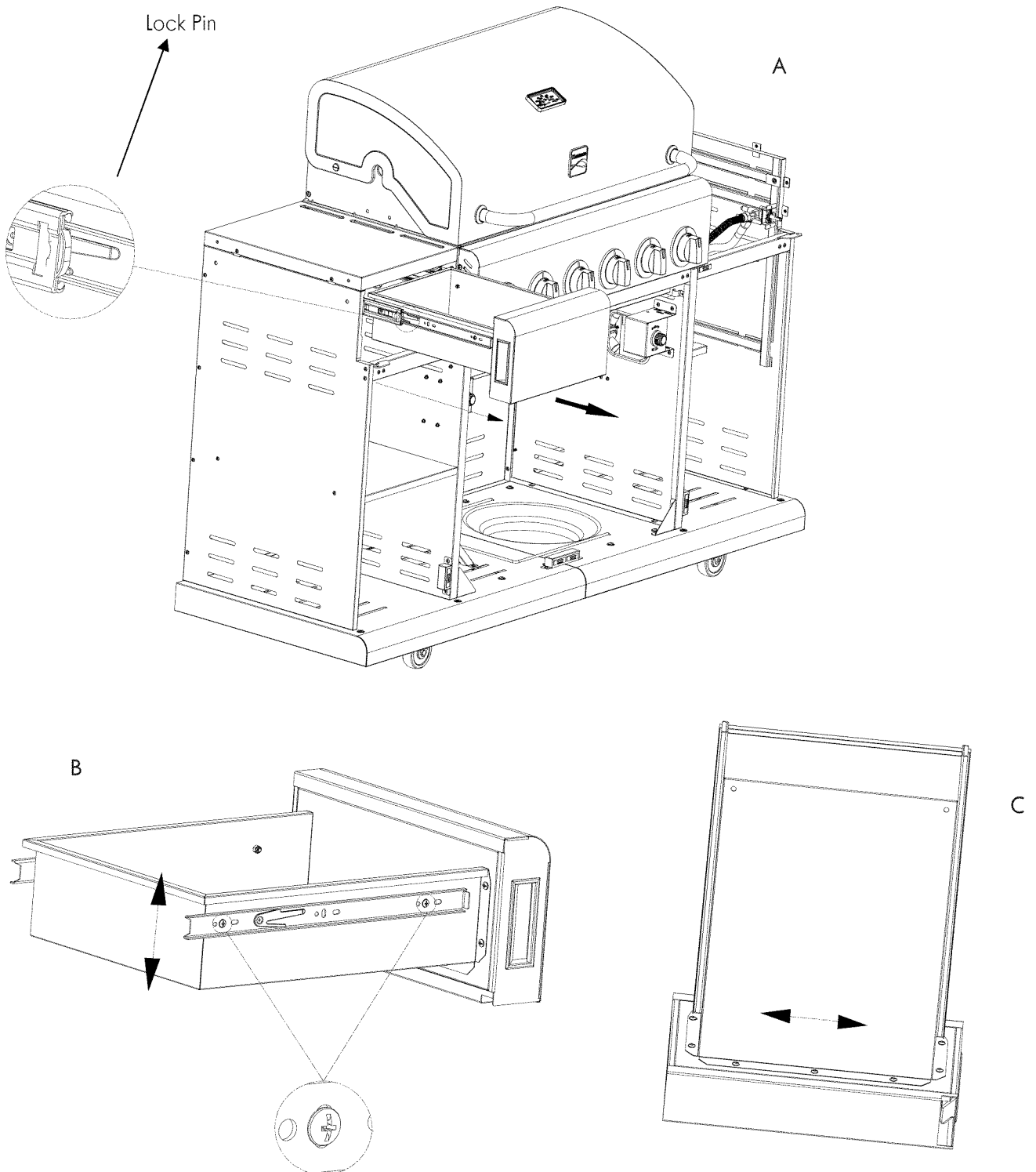
C



# 13

## Drawer (continued)

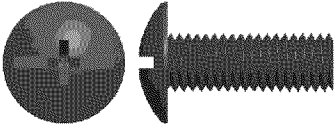
- If drawer front panel is not perfectly aligned with cabinet, the drawer can be removed and adjusted. To remove, slide drawer out all the way. Push down on left side drawer slide lock pin and pull up on right side drawer slide lock pin. Pull drawer free from cabinet slides. See A.
- To adjust vertical alignment, loosen front and/or rear drawer slide fasteners. Adjust position of drawer and retighten fasteners. See B.
- To adjust horizontal alignment, loosen screws attaching front panel to drawer sides and shift panel position. Retighten screws. See C.



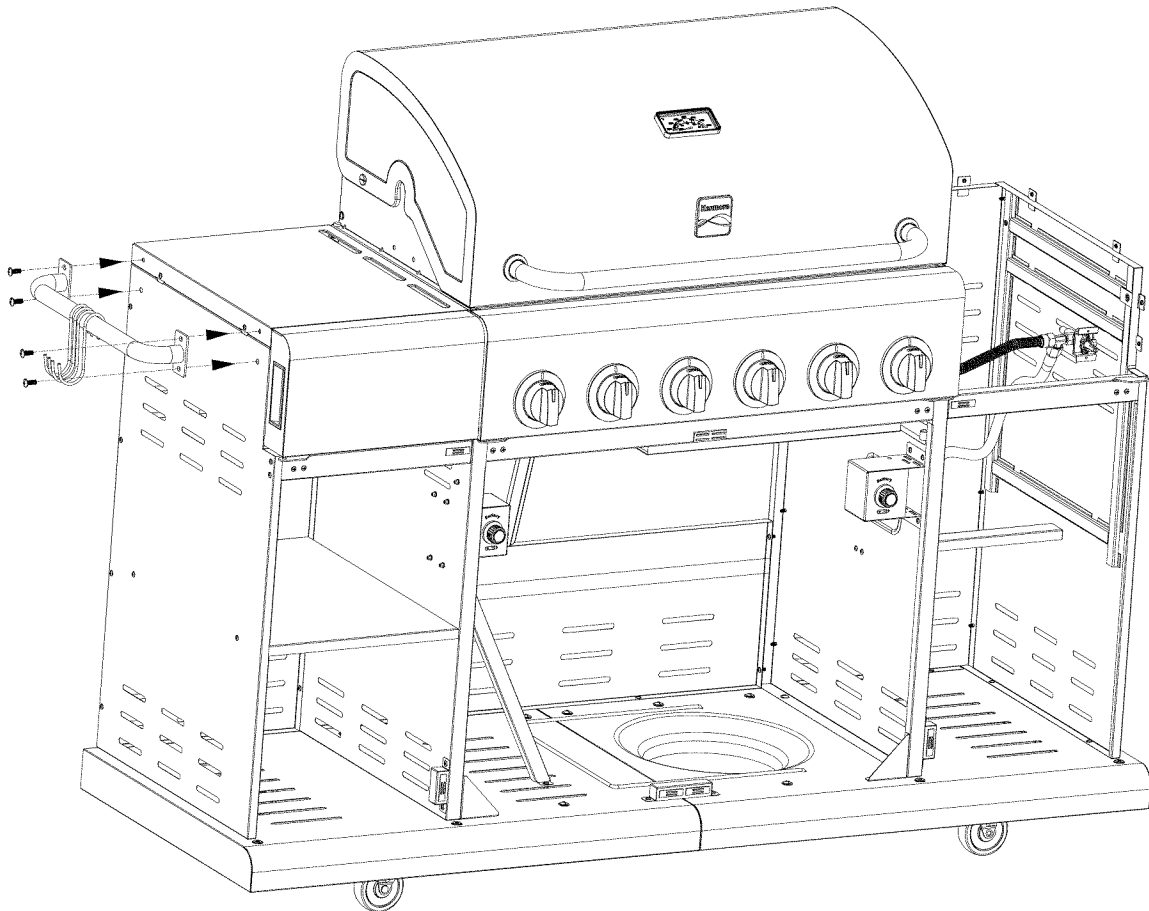
# 14

## Push Bar

- Attach push bar to left side panel with (4) M6x17 screws as shown. Note: Hook ends must face away from grill.



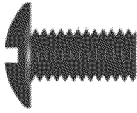
M6X17 screw Qty: 4 pcs



# 15

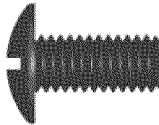
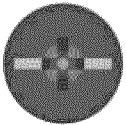
## Right Side Shelf

- Attach right side shelf fascia to right side shelf with (2) M5x10 screws and M5 flat washers as shown A.
- Place right side shelf on top of right cabinet as shown B.
- Attach shelf to grill head with (2) M6x13 screws and M6 compression washers from inside of firebox as shown C.



M5X10 screw Qty: 2 pcs

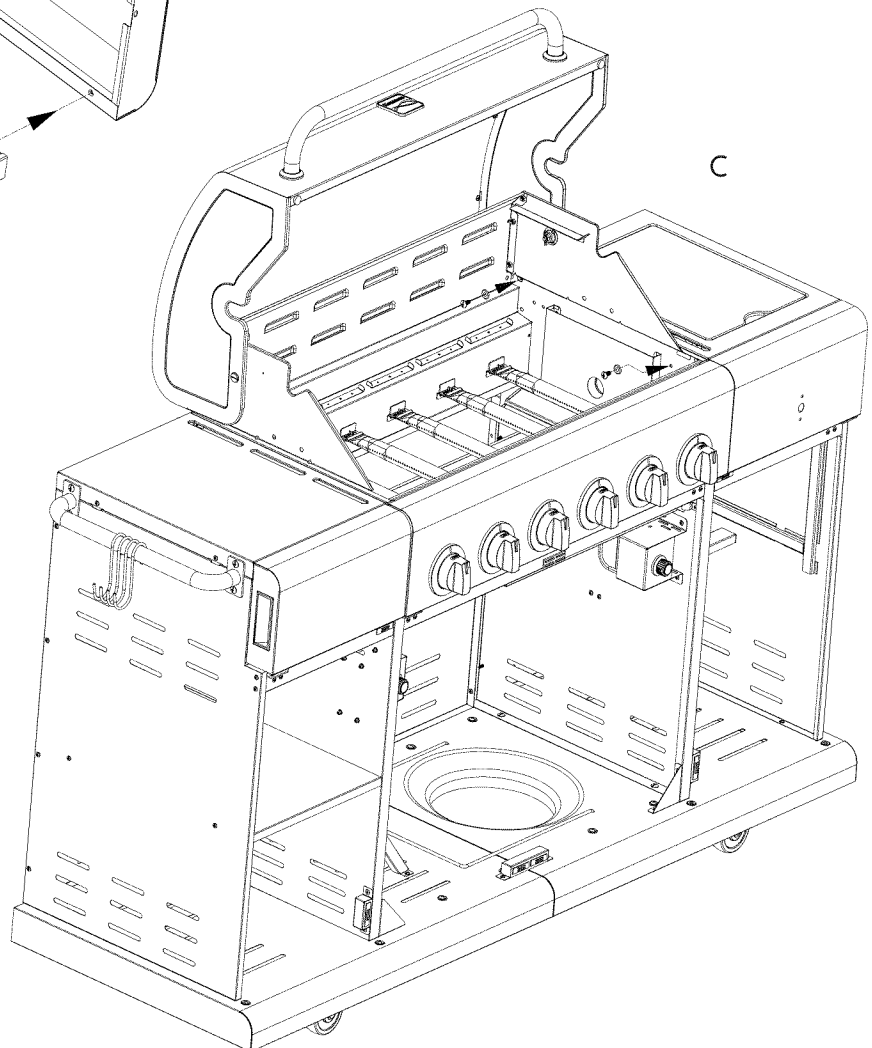
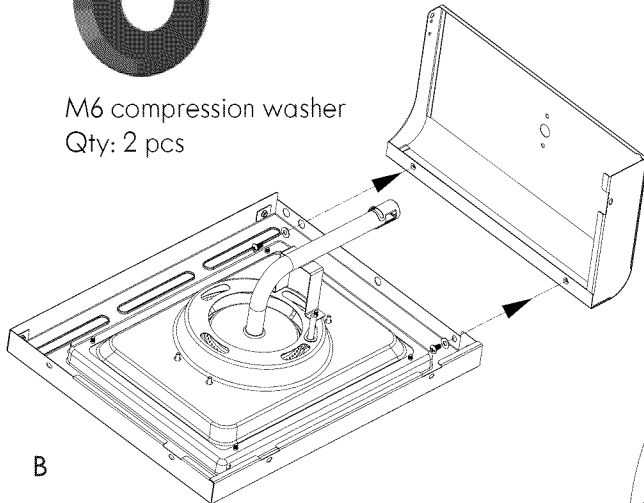
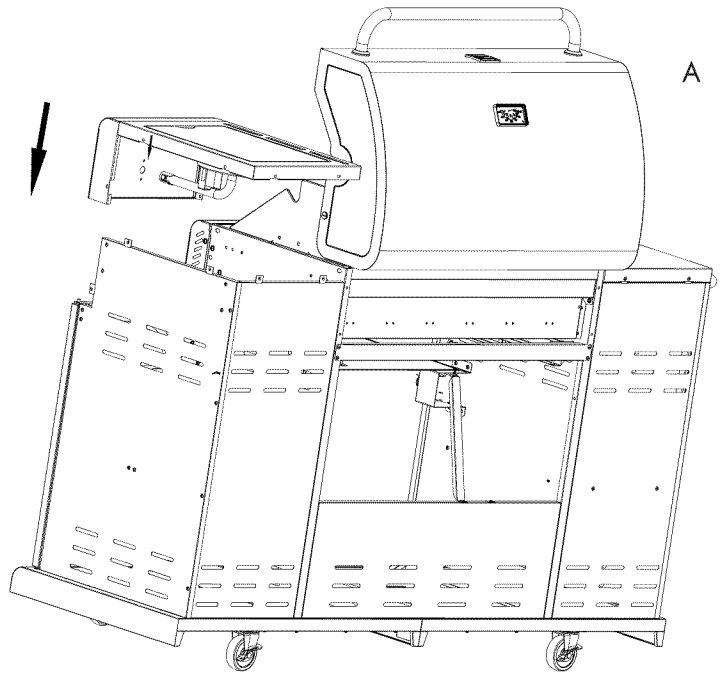
M5 flat washer Qty: 2 pcs



M6X13 screw Qty: 2 pcs



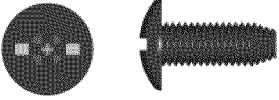
M6 compression washer Qty: 2 pcs



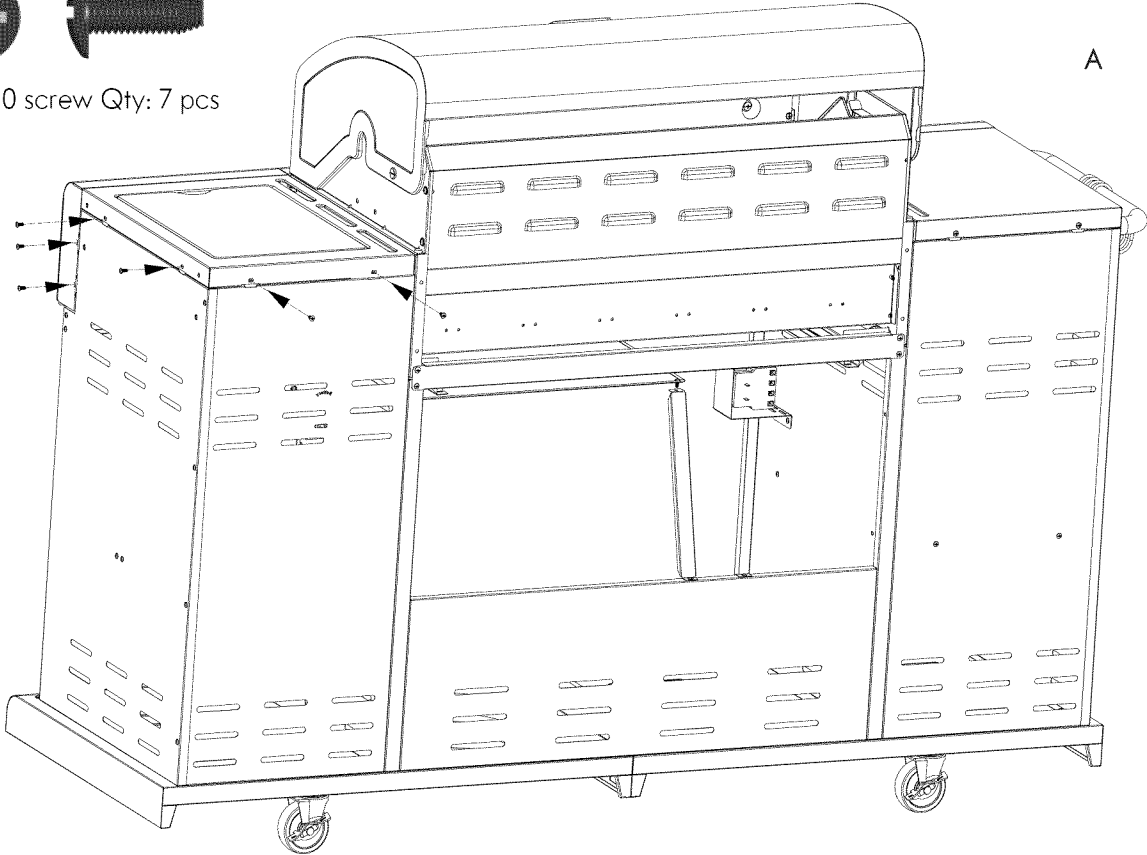
# 15

## Right Side Shelf (continued)

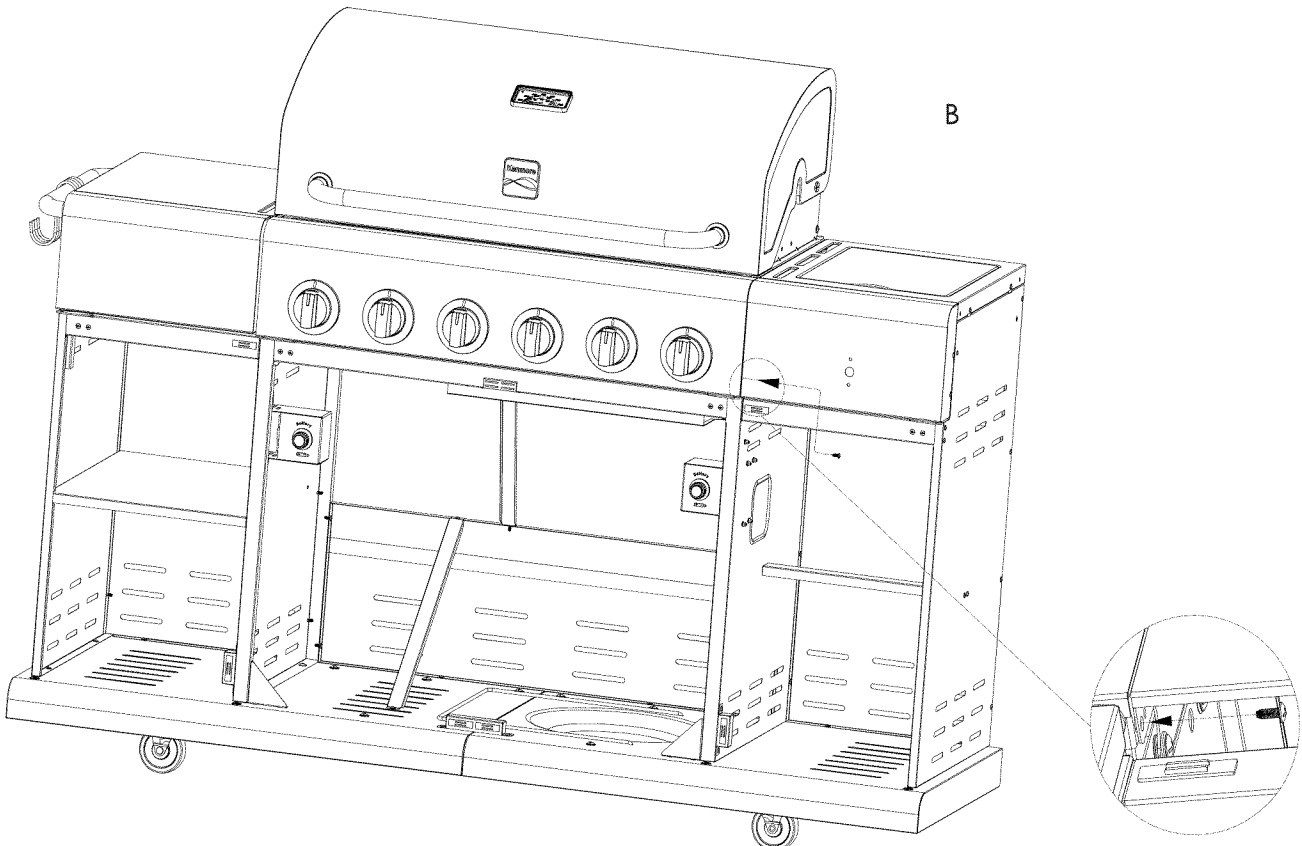
- Attach shelf to right cabinet with (6) M4x10 screws as shown A.
- Attach right side shelf fascia to control panel with (1) M4x10 screw as shown B.



M4X10 screw Qty: 7 pcs



A

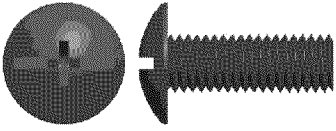


B

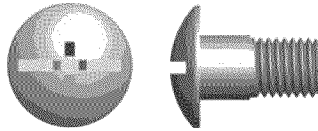
# 16

## Folding Side Shelf

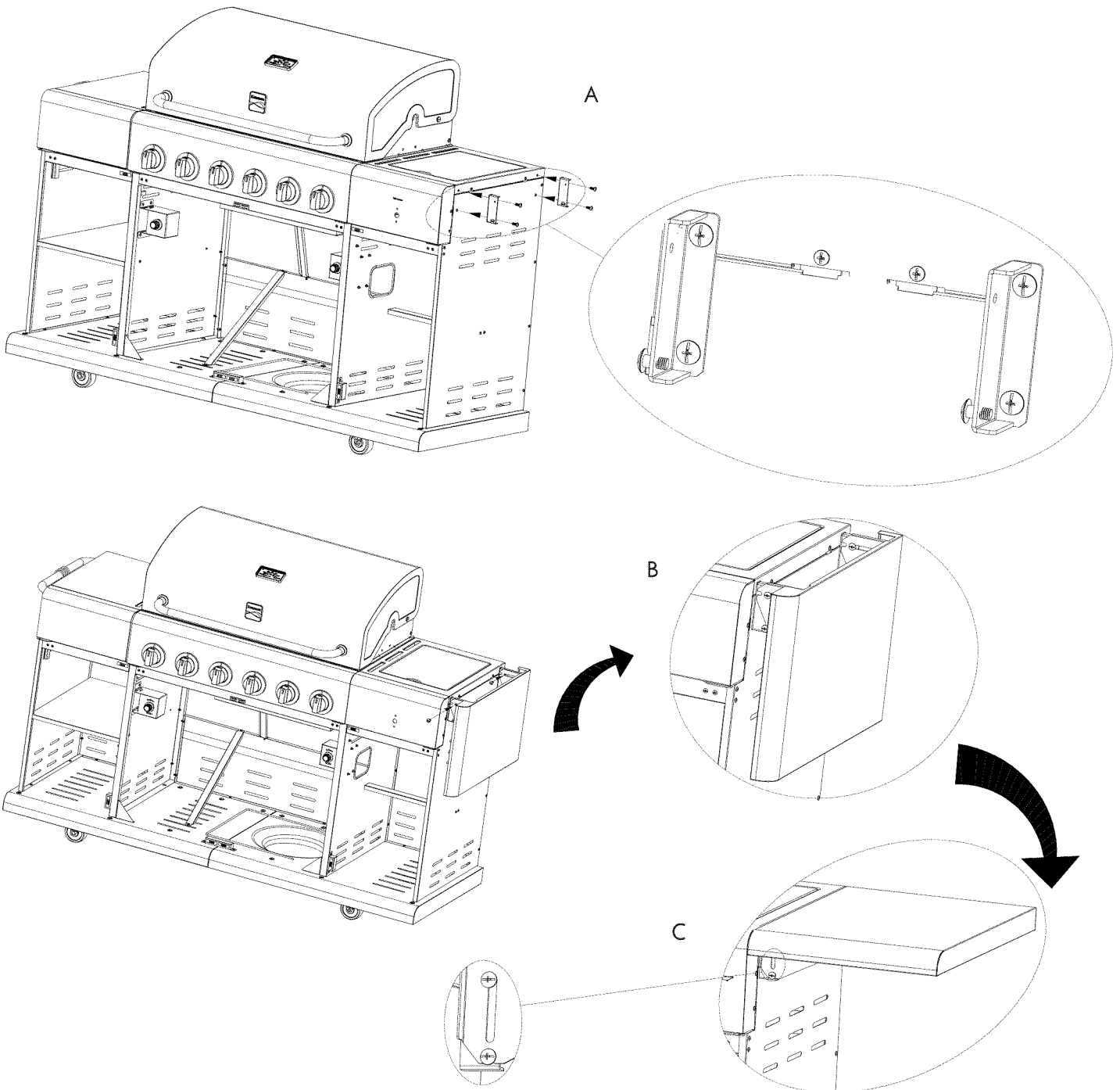
- Attach the two folding side shelf support brackets to the outer panel of right cabinet with **(4) M6x17 screws**. Place the bracket as figure A show, make sure the pre-assemble M6x12 screws are in the lower holes of support brackets.
- Align slots in shelf supports with upper holes in support brackets as shown B. Hold shelf in place while attaching shelf to brackets with **(2) M6x12 shoulder screws**.
- Raise shelf and push down to lock into position as shown C. To lower shelf, lift up and fold down.



M6X17 screw Qty: 4 pcs



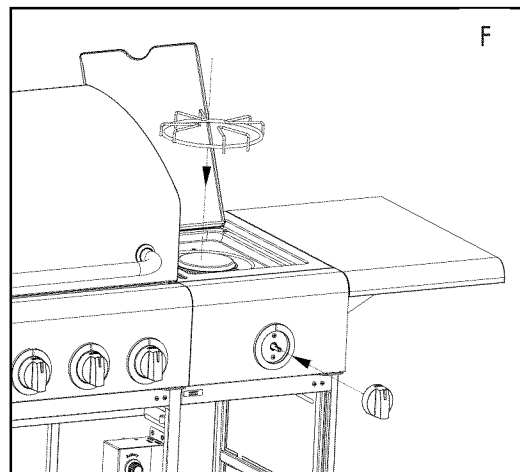
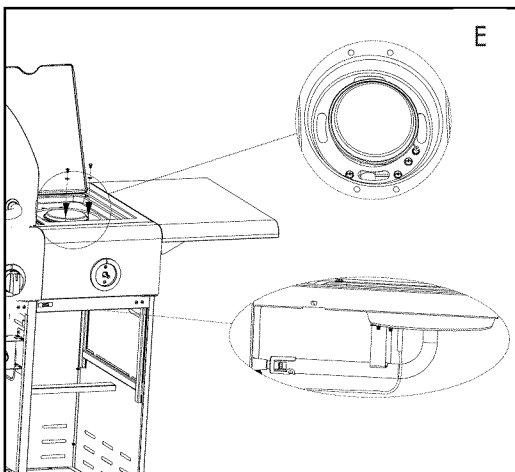
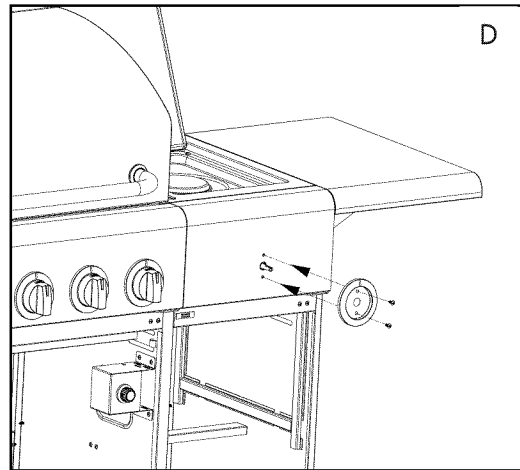
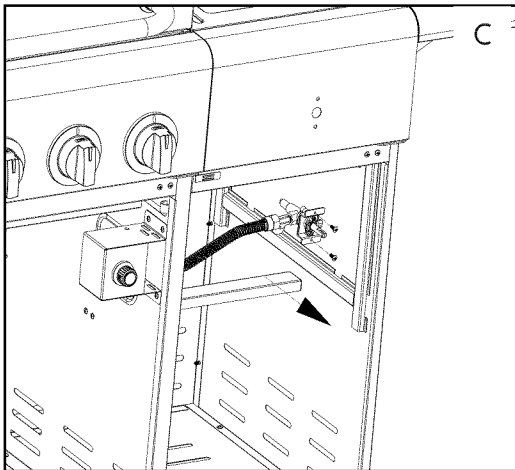
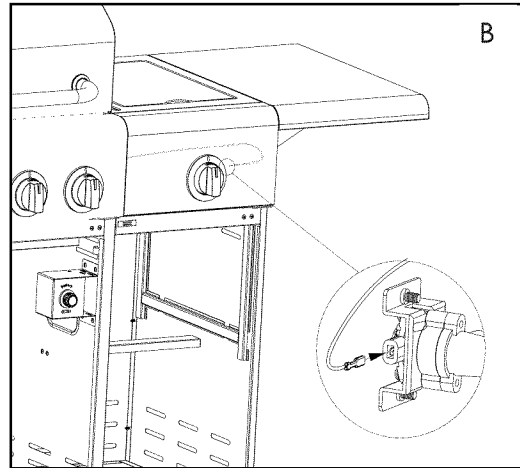
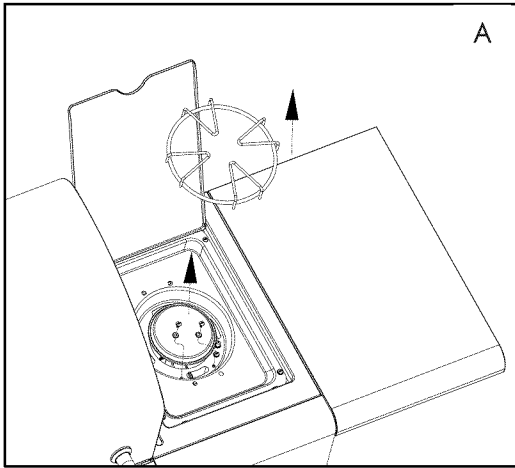
M6X12 shoulder screw Qty: 2 pcs



# 17

## Side Burner

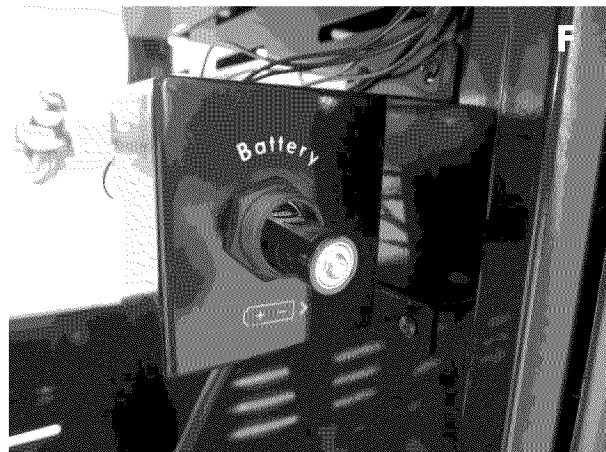
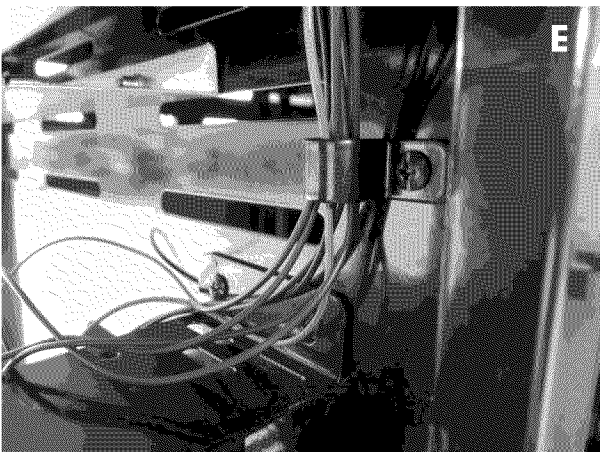
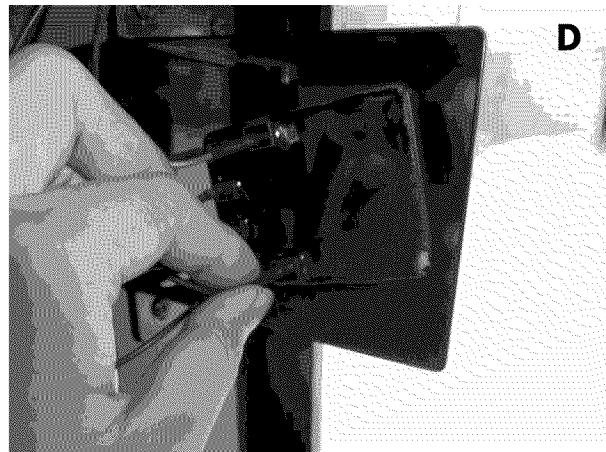
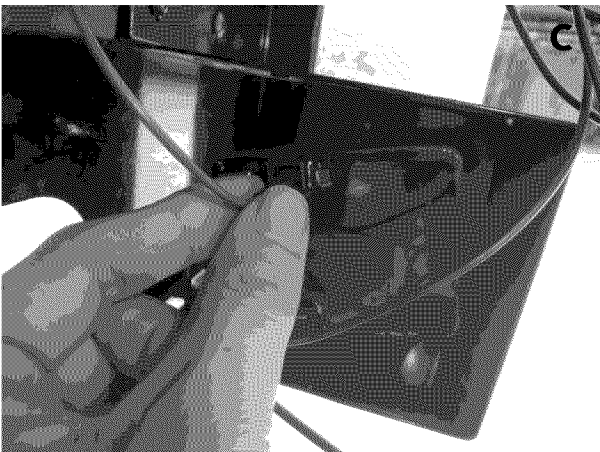
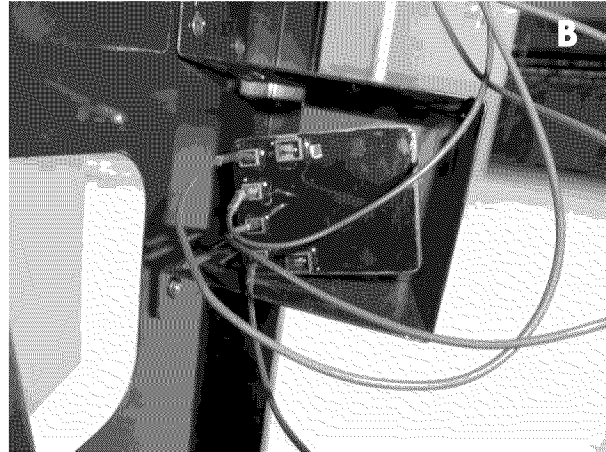
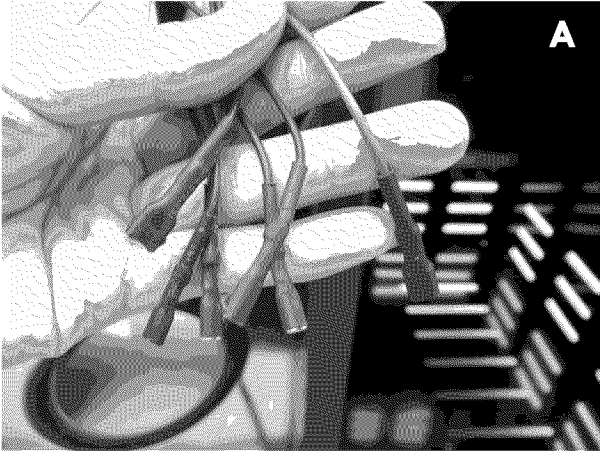
- Loosen side burner in side shelf by unscrewing and removing the two front screws holding the burner in place. See A. Note: Do not loosen electrode screw.
- Side burner ground line has two wires running into one connector tip. Run longer wire through vent hole above ignition module in side panel into right cabinet. Securely attach tip of long wire to connector pin on regulator valve. See B.
- Remove the 2 pre-installed screws from the valve control stem and set them aside. See C.
- Insert valve control stem through hole in fascia. Attach bezel to fascia and valve face with previously removed 2 screws. Attach bezel with black mark facing up. See D.
- Place side burner tube over the valve orifice, making sure the orifice is inside the burner tube. Reattach side burner to side shelf with the 2 previously removed screws. See E.
- Run side burner ignition wire shown E from burner through side panel vent hole and into main cabinet. Connect wire in later step.
- Push control knob onto side burner valve control stem, and place cooking grate onto burner. See F.



# 18

## Wires for Right Ignition Module

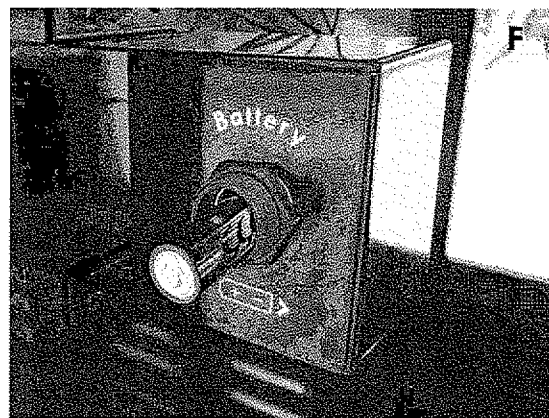
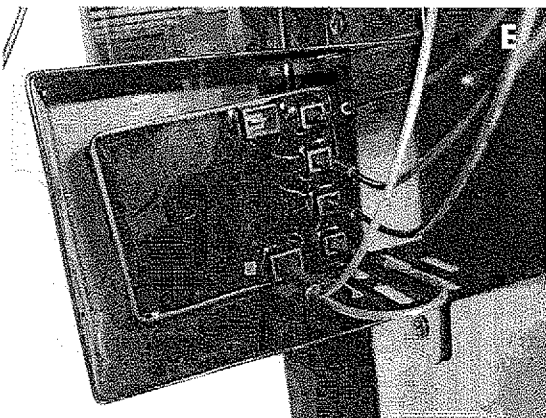
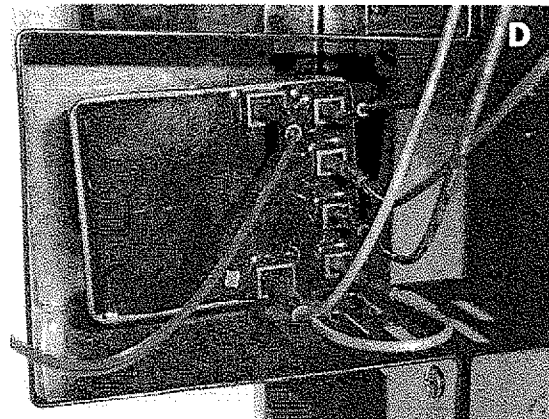
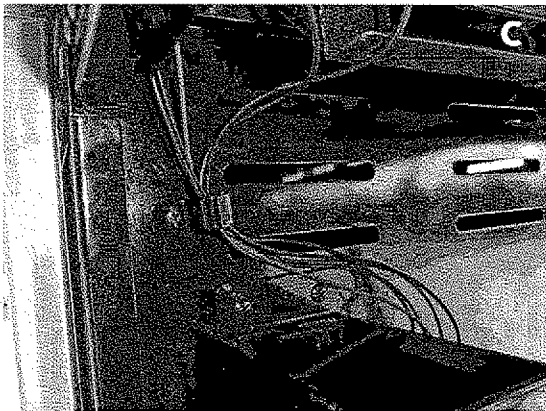
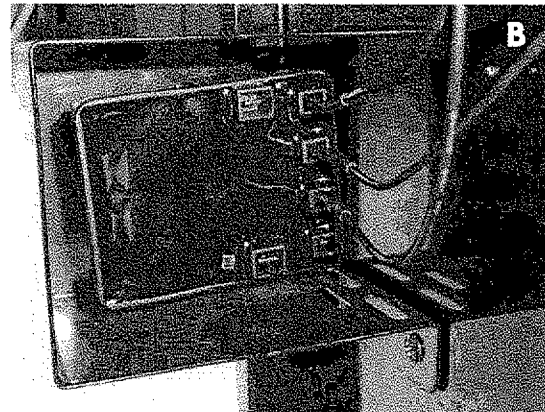
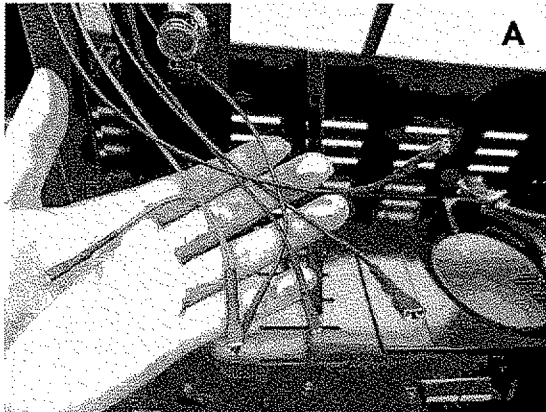
- Connect the four black wires with the small tips into the four small sockets as shown. See figure B.
- Connect the large tipped orange wire into the orange marked large socket as shown. See figure C.
- Connect the large tipped dual wire into the remaining large socket as shown. See figure D.
- Gather the six wires together and push them into the ignition wire clip to store them neatly out of the way. See figure E.
- Unscrew the igniter cap from ignition module. Insert 1 AA battery into module with positive (+) facing outward. Screw igniter cap back onto module. See figure F.



# 19

## Wires for Left Ignition Module

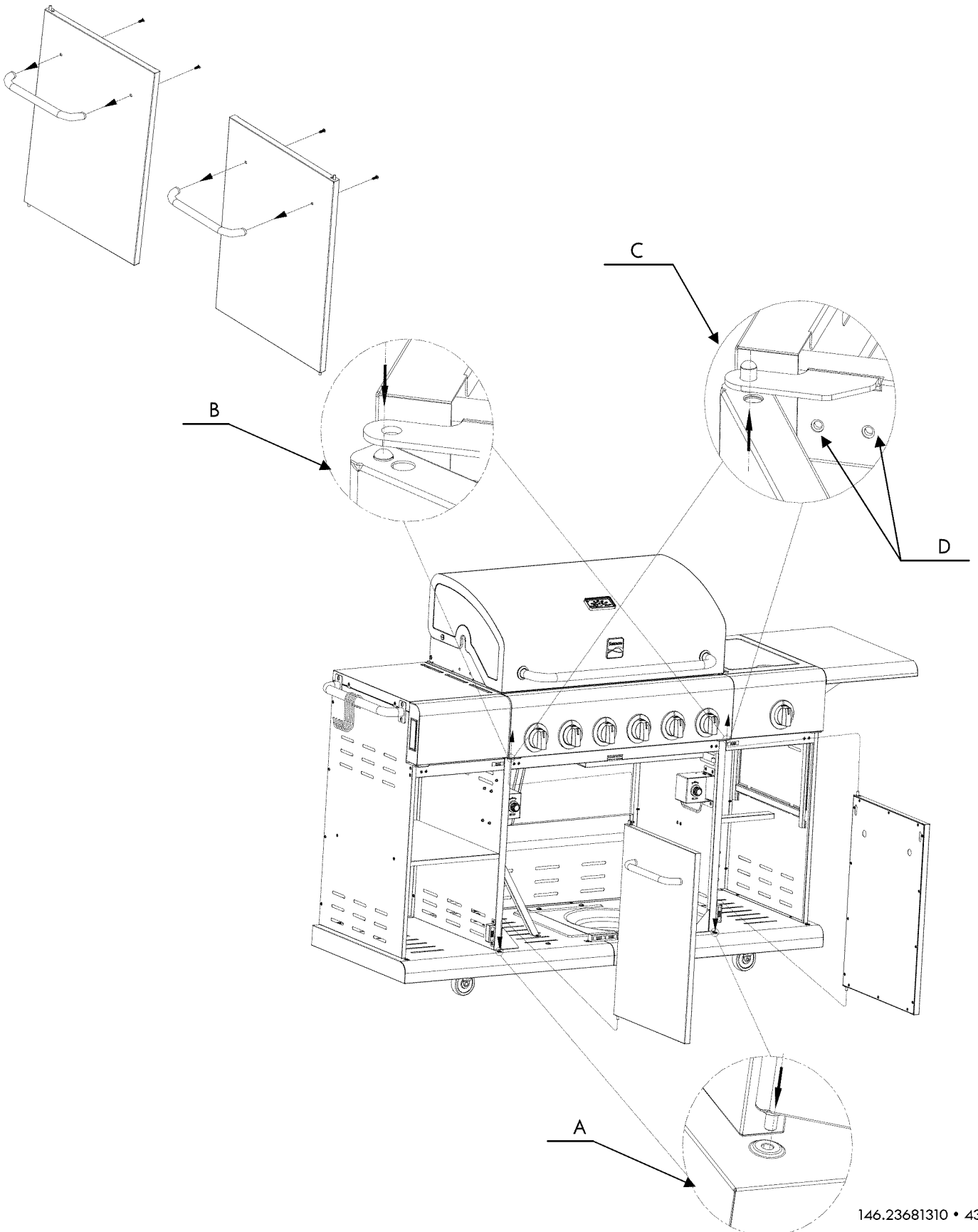
- Connect the three black wires with the small tips into three of the four small sockets as shown.
- Connect the small tip of the dual orange wire into the remaining small socket as shown. Connect the large tip of the dual orange wire into the orange marked large socket as shown.
- Connect the large tipped black wire into the remaining large socket as shown.
- Gather the five wires together and push them into the ignition wire clip to store them neatly out of the way.
- Unscrew the igniter cap from ignition module. Insert 1 AA battery into module with positive (+) facing outward. Screw igniter cap back onto module.



# 20

## Main Cabinet Grill Doors

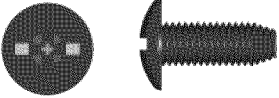
- Remove the (4) M5x15 screws pre-assembled to the main cabinet door handle ends, and use them to attach handles to doors as shown.
- For each door, insert the bottom hinge pin into the hole in the cart bottom shelf (A). Push the top hinge pin down into the door, align it with the top hinge pin hole (B), and let the pin pop back up, securing the door in position (C).
- Note: If the door do not line up when closed or does not close freely, loosen the screws on the door pin bracket (D). Adjust the brackets as necessary, and retighten screws.



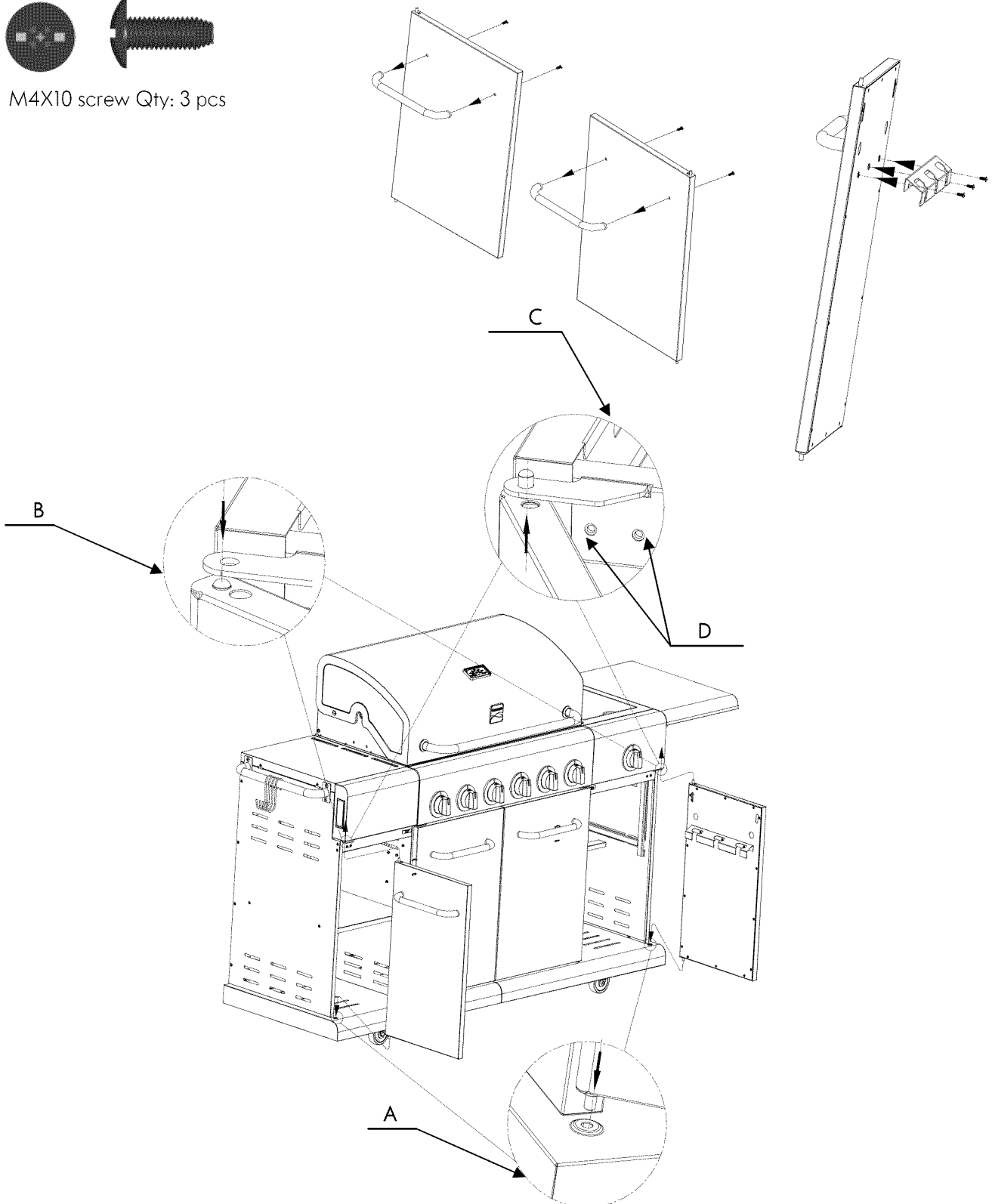
# 21

## Cabinet Doors

- Remove the (4) M5x15 screws pre-assembled to the door handles ends, and use them to attach handles to doors.
- Attach the tool hook at back of left cabinet door with (3) M4x10 screws.
- For each door, insert the bottom hinge pin into the hole in the front bottom of the cart. (A) Push the top hinge pin down into the door, align it with the top hinge pin hole, (B) and let the pin pop back up, securing the door in position.(C)
- Note: If the door do not line up when closed or cannot close freely, loosen the screws on the door pin bracket(D). Adjust the door pin bracket as necessary, and retighten screws. Recheck door alignment once grill is completely assembled and readjust if necessary.



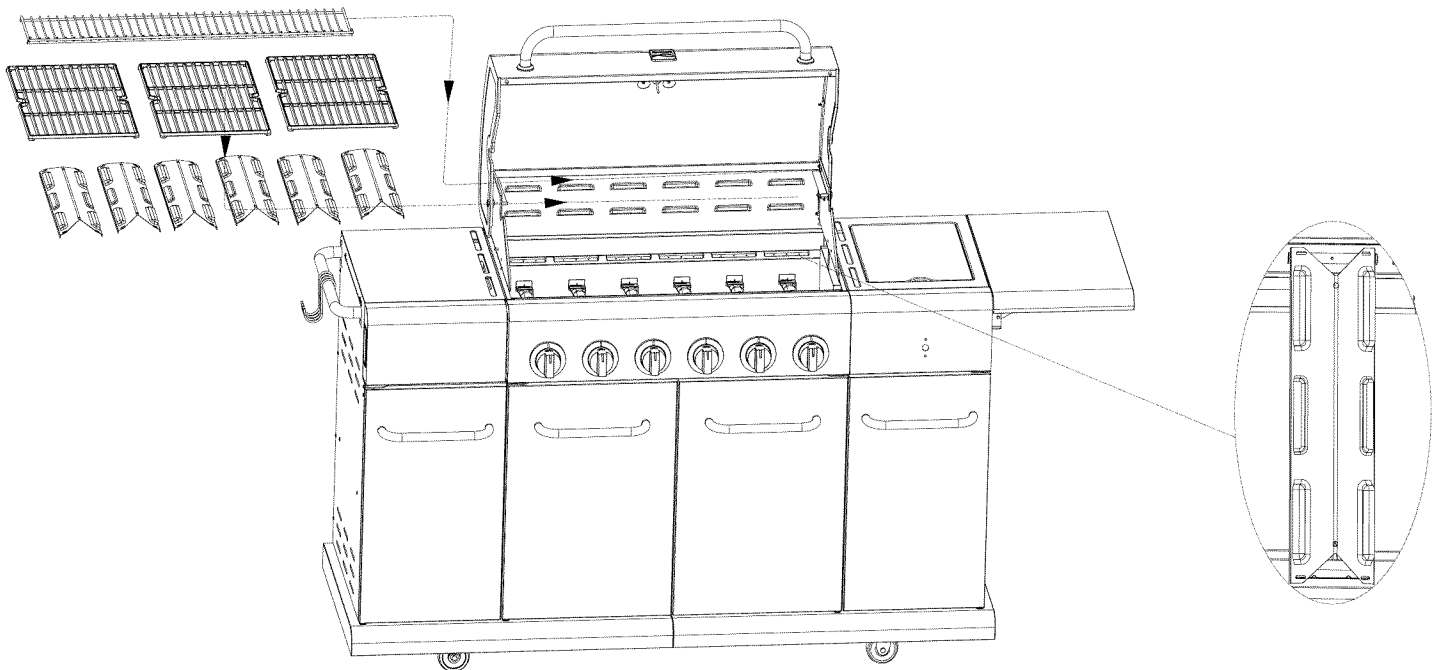
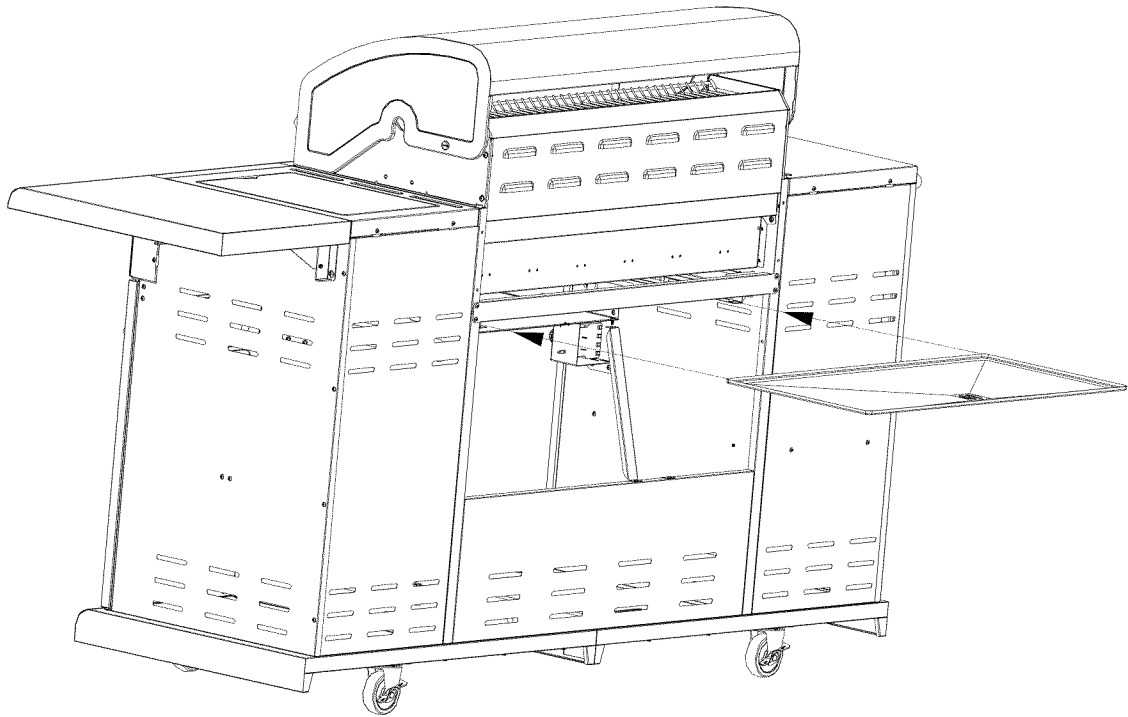
M4X10 screw Qty: 3 pcs



# 22

## Grease Tray, Heat Diffusers, Cooking Grates, and Warming Rack

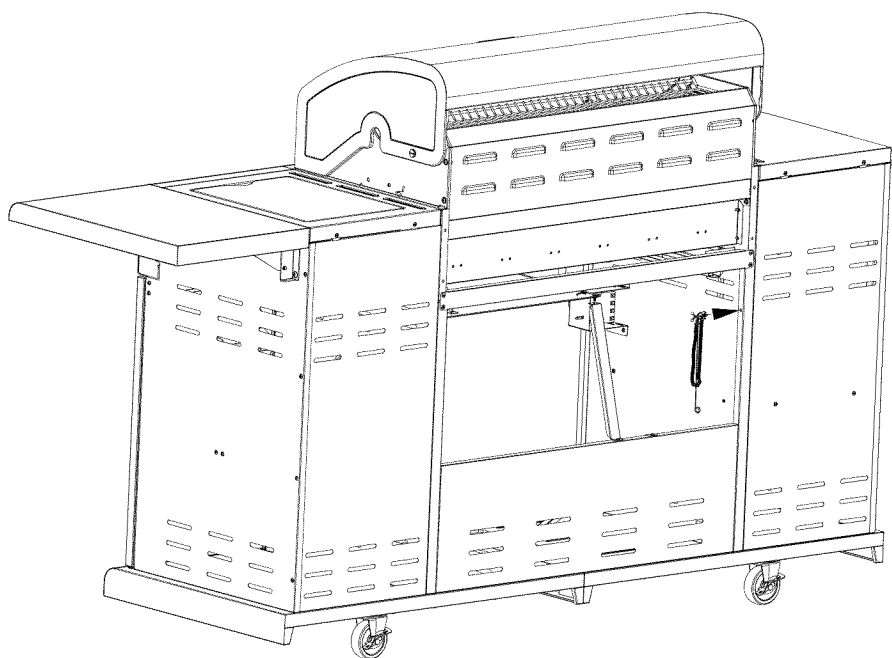
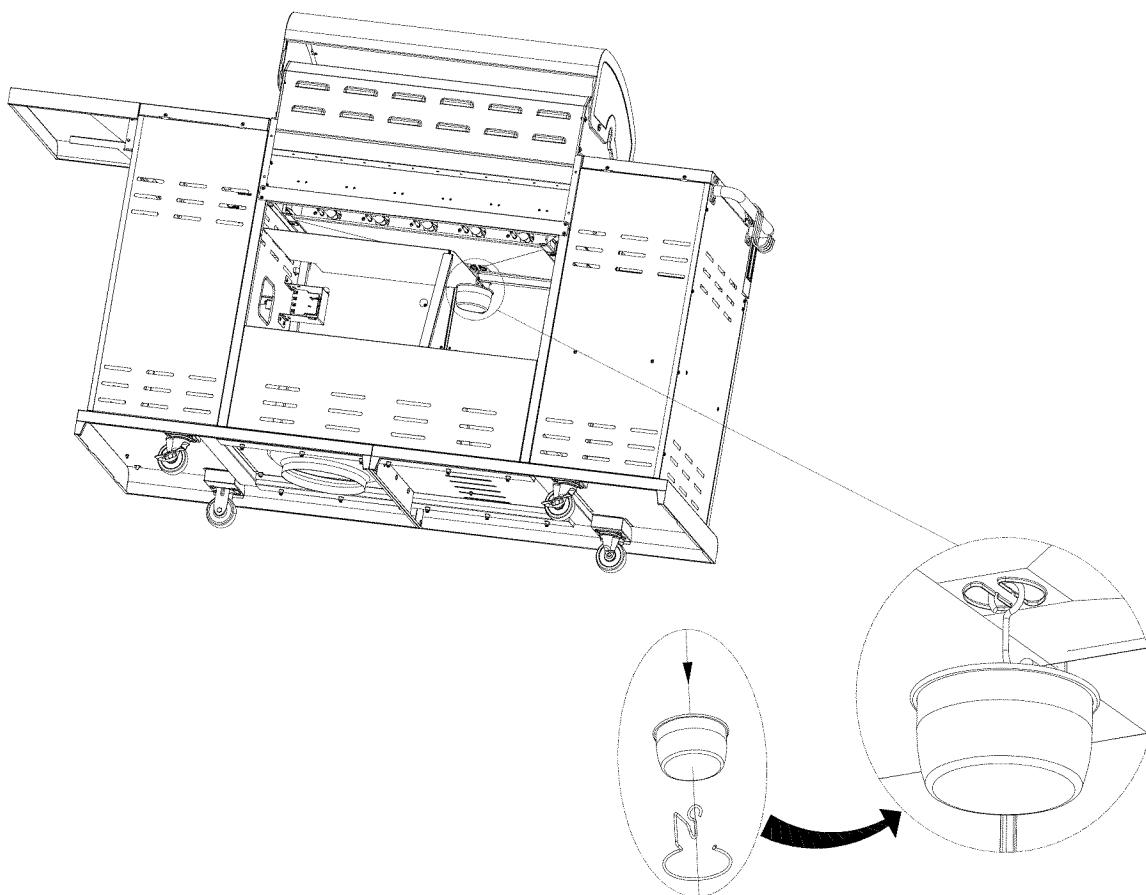
- Slide the grease tray into bottom of firebox from back. Make sure the grease drainage hole is on the right side, as seen from back of the grill.
- Place heat diffusers over main burners. The heat diffusers will fit in firebox in either direction. Fit tabs in firebox front through slots in diffuser tips. Fit diffuser tips between tabs in firebox rear.
- Place cooking grates onto grate rests at front and rear of firebox.
- Insert warming rack with raised edge facing front into brackets at top of firebox as shown.



# 23

## Grease Cup and Match Holder

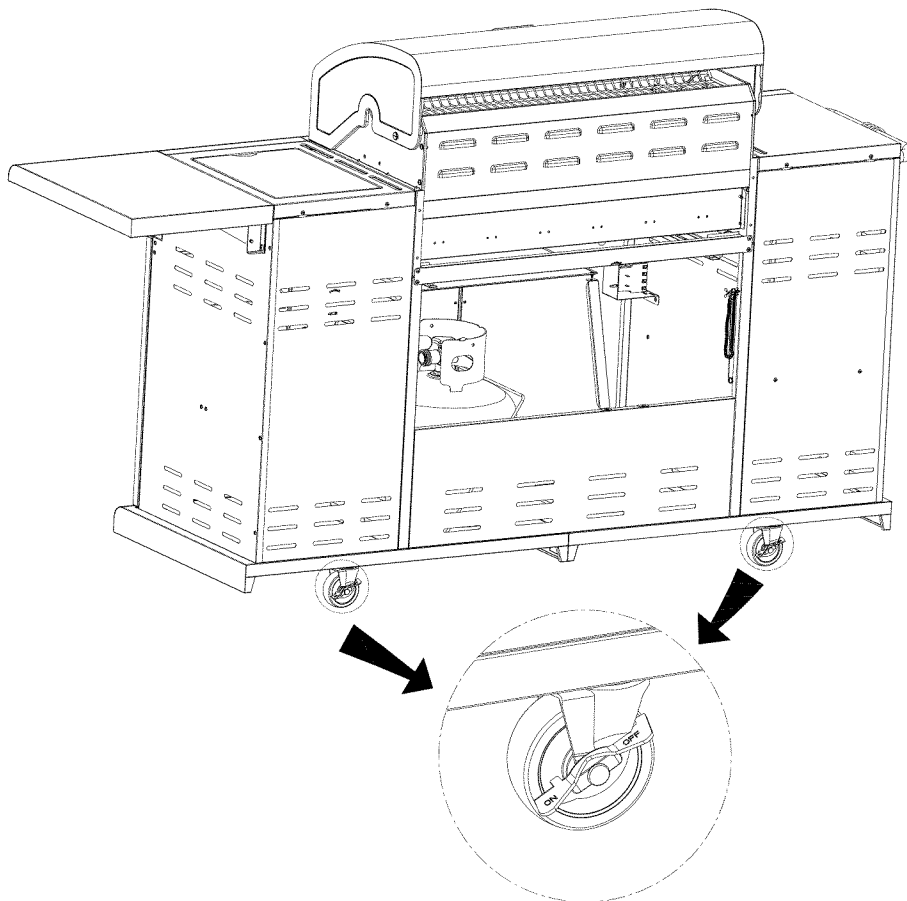
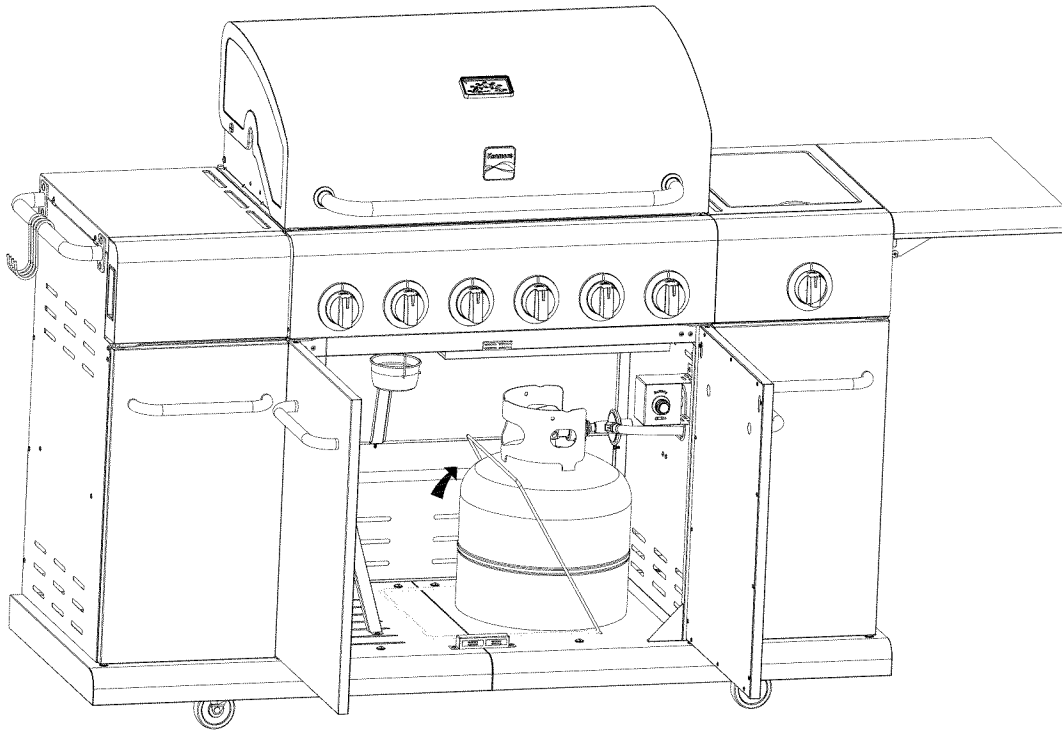
- Place grease cup into grease cup clip. Hang grease cup clip from bottom of grease tray as shown.
- Insert the nylon twist clamp into the hole in rear of main cabinet left side panel as shown. Use it to attach match holder to grill.



# 24

## LP Tank

- Feed the regulator hose through the hole in the right side panel.
- LP tank is sold separately. Use only with an OPD (Overfill Protection Device) equipped LP tank. Fill and leak check before attaching to grill and regulator.
- Place LP tank into hole in bottom shelf with tank collar opening facing to the right as shown. Raise tank holder to hold LP tank securely in place.
- When the grill is in the desired location, lock the casters brakes; this will help the grill stay in place for safe operation.



**EMERGENCIES: If a gas leak cannot be stopped, or a fire occurs due to gas leakage, call the fire department.**

Problem	Possible Cause	Prevention / Solution
Gas leaking from cracked/cut/burned hose.	<ul style="list-style-type: none"> <li>Damaged hose.</li> </ul>	<ul style="list-style-type: none"> <li>Turn off gas at LP cylinder or at source on natural gas systems. If the hose is cracked or cut but not burned, simply replace valve / hose / regulator. If the hose is burned, the cause could be other than a faulty valve/hose/regulator. Discontinue use of grill until a plumber or gas technician has investigated and corrected the problem.</li> </ul>
Gas leaking from LP cylinder.	<ul style="list-style-type: none"> <li>Mechanical failure due to rusting or mishandling.</li> </ul>	<ul style="list-style-type: none"> <li>Replace LP cylinder.</li> </ul>
Gas leaking from LP cylinder valve.	<ul style="list-style-type: none"> <li>Failure of cylinder valve from mishandling or mechanical failure.</li> </ul>	<ul style="list-style-type: none"> <li>Turn off LP cylinder valve. Return LP cylinder to gas supplier.</li> </ul>
Gas leaking between LP cylinder and regulator connection.	<ul style="list-style-type: none"> <li>Improper installation, connection not tight, failure of rubber seal.</li> </ul>	<ul style="list-style-type: none"> <li>Turn off LP cylinder valve. Remove regulator from cylinder and visually inspect rubber seal for damage. See LP Cylinder Leak Test and Connecting Regulator to the LP Cylinder.</li> </ul>
Fire coming through control panel.	<ul style="list-style-type: none"> <li>Fire in burner tube section of burner due to blockage.</li> </ul>	<ul style="list-style-type: none"> <li>Turn off control knobs and LP cylinder valve. Leave lid open to allow flames to die down. After fire is out and grill is cold, remove burner and inspect for spider nests or rust. See Spider Alert and Cleaning the Burner Assembly sections of this Use &amp; Care Guide.</li> </ul>
Grease fire or continuous excessive flames above cooking surface	<ul style="list-style-type: none"> <li>Too much grease buildup in burner area.</li> </ul>	<ul style="list-style-type: none"> <li>Turn off control knobs and LP cylinder valve. Leave lid open to allow flames to die down. After cooling, clean food particles and excess grease from inside firebox area, grease tray, and other surfaces.</li> </ul>

### Troubleshooting

Problem	Possible Cause	Prevention/Solution
<p>Burner (s) will not light using igniter. (See Electronic Ignition Troubleshooting also)</p> <p>Continued on next page.</p>	<p><b>GAS ISSUES:</b></p> <ul style="list-style-type: none"> <li>Trying to light wrong burner.</li> <li>Burner not engaged with control valve.</li> <li>Obstruction in burner.</li> <li>No gas flow.</li> <li>Vapor lock at coupling nut to LP cylinder.</li> <li>Coupling nut and LP cylinder valve not fully connected.</li> <li>Electrode cracked or broken; "sparks at crack.</li> <li>Electrode tip not in proper position.</li> <li>Wire and/or electrode covered with cooking residue.</li> <li>Wires are loose or disconnected.</li> <li>Wires are shorting (sparking) between igniter and electrode.</li> <li>Dead battery.</li> </ul>	<ul style="list-style-type: none"> <li>See instructions on control panel and in Use and Care section.</li> <li>Make sure valves are positioned inside of burner tubes.</li> <li>Ensure burner tubes are not obstructed with spider webs or other matter. See cleaning section of Use and Care.</li> <li>Make sure LP cylinder is not empty. If LP cylinder is not empty, refer to "Sudden drop in gas flow."</li> <li>Turn off knobs and disconnect coupling nut from LP cylinder. Reconnect and retry.</li> <li>Turn the coupling nut approximately one-half to three-quarters additional turn until solid stop. Tighten by hand only - do not use tools.</li> <li>Replace electrode (s).</li> </ul> <p>Main Burners and Side Burner:</p> <ul style="list-style-type: none"> <li>Tip of electrode should be pointing toward gas port opening on burner. The distance should be 1/8" to 1/4". Adjust if necessary.</li> <li>Clean wire and/or electrode with rubbing alcohol and clean swab.</li> <li>Reconnect wires or replace electrode/wire assembly.</li> <li>Replace igniter wire/electrode assembly.</li> <li>Replace with a new AA-size alkaline battery.</li> </ul>



## Troubleshooting (continued)

Problem	Possible Cause	Prevention / Solution
Burner(s) will not light using igniter. (See Electronic Ignition Troubleshooting also)	ELECTRONIC IGNITION: <ul style="list-style-type: none"> <li>No spark, no ignition noise.</li> <li>No spark, some ignition noise.</li> <li>Sparks, but not at electrode or at full strength.</li> </ul>	<ul style="list-style-type: none"> <li>See Section I of Electronic Ignition System.</li> <li>See Section II of Electronic Ignition System.</li> <li>See Section III of Electronic Ignition System.</li> </ul>
Burner(s) will not match light.	<ul style="list-style-type: none"> <li>See "GAS ISSUES:" on previous page.</li> <li>Match will not reach.</li> <li>Improper method of match-lighting.</li> </ul>	<ul style="list-style-type: none"> <li>Use long-stem match (fireplace match).</li> <li>See "Match-Lighting" section of Use and Care.</li> </ul>
Sudden drop in gas flow or low flame.	<ul style="list-style-type: none"> <li>Out of gas.</li> <li>Excess flow valve tripped.</li> <li>Vapor lock at coupling nut/LP cylinder connection.</li> </ul>	<ul style="list-style-type: none"> <li>Check for gas in LP cylinder.</li> <li>Turn off knobs, wait 30 seconds and light grill. If flames are still low, turn off knobs and LP cylinder valve. Disconnect regulator. Reconnect regulator and leak-test. Turn on LP cylinder valve, wait 30 seconds and then light grill.</li> <li>Turn off knobs and LP cylinder valve. Disconnect coupling nut from cylinder. Reconnect and retry.</li> </ul>
Flames blow out.	<ul style="list-style-type: none"> <li>High or gusting winds.</li> <li>Low on LP gas.</li> <li>Excess flow valve tripped.</li> </ul>	<ul style="list-style-type: none"> <li>Turn front of grill to face wind or increase flame height.</li> <li>Refill LP cylinder.</li> <li>Refer to "Sudden drop in gas flow" above.</li> </ul>
Flare-up.	<ul style="list-style-type: none"> <li>Grease buildup.</li> <li>Excessive fat in meat.</li> <li>Excessive cooking temperature.</li> </ul>	<ul style="list-style-type: none"> <li>Clean burners and inside of grill/firebox.</li> <li>Trim fat from meat before grilling.</li> <li>Adjust (lower) temperature accordingly.</li> </ul>
Persistent grease fire.	<ul style="list-style-type: none"> <li>Grease trapped by food buildup around burner system.</li> </ul>	<ul style="list-style-type: none"> <li>Turn knobs to OFF. Turn gas off at LP cylinder. Leave lid in position and let fire burn out. After grill cools, remove and clean all parts.</li> </ul>
Flashback... (fire in burner tube(s)).	<ul style="list-style-type: none"> <li>Burner and/or burner tubes are blocked.</li> </ul>	<ul style="list-style-type: none"> <li>Turn knobs to OFF. Clean burner and/or burner tubes. See burner cleaning section of Use and Care.</li> </ul>
Unable to fill LP cylinder.	<ul style="list-style-type: none"> <li>Some dealers have older fill nozzles with worn threads.</li> </ul>	<ul style="list-style-type: none"> <li>The worn nozzles don't have enough "bite" to engage the valve. Try a second LP dealer.</li> </ul>
One burner does not light from other burner(s).	<ul style="list-style-type: none"> <li>Grease buildup or food particles in end(s) of carryover tube(s).</li> </ul>	<ul style="list-style-type: none"> <li>Clean carry-over tube(s) with wire brush.</li> </ul>

## Troubleshooting - Electronic Ignition

Problem	Possible Cause	Check Item	Prevention / Solution
<p><b>SECTION I</b> No sparks appear at any electrodes when control knob turned to HI: no noise can be heard from spark module.</p>	<ul style="list-style-type: none"> <li>• Battery not installed properly.</li> <li>• Dead battery.</li> <li>• Button assembly not installed properly.</li> <li>• Faulty spark module.</li> </ul>	<ul style="list-style-type: none"> <li>• Check battery orientation.</li> <li>• Has battery been used previously?</li> <li>• Check to insure threads are properly engaged. Button should travel up and down without binding.</li> <li>• If no sparks are generated with new battery and good wire connections, module is faulty.</li> </ul>	<ul style="list-style-type: none"> <li>• Install battery (make sure that "+" and "-" connectors are oriented correctly, with "+" end up and "-" end down.)</li> <li>• Replace battery with new AA-size alkaline battery.</li> <li>• Unscrew button cap assembly and reinstall, making sure threads are aligned and engaged fully.</li> <li>• Replace spark module assembly.</li> </ul>
<p><b>SECTION II</b> No sparks appear at any electrodes when control knob turned to HI; noise can be heard from spark module.</p>	<ul style="list-style-type: none"> <li>• Output lead connections not connected.</li> </ul>	<ul style="list-style-type: none"> <li>• Are output connections on and tight?</li> </ul>	<ul style="list-style-type: none"> <li>• Remove and reconnect all output connections at module and electrodes.</li> </ul>
<p><b>SECTION III</b> Sparks are present but not at all electrodes and/or not at full strength</p>	<ul style="list-style-type: none"> <li>• Output lead connections not connected.</li> <li>• Electrical arc between output wires and grill frame.</li> <li>• Weak battery.</li> <li>• Electrodes are wet.</li> <li>• Electrode(s) cracked or broken; sparks appear where cracked.</li> </ul>	<ul style="list-style-type: none"> <li>• Are output connections on and tight?</li> <li>• If possible, observe grill in dark location. Operate ignition system and look for arcing between output wires and grill frame.</li> <li>• All sparks present but weak or at slow rate.</li> <li>• Has moisture accumulated on electrode and/or in burner ports?</li> <li>• Inspect electrodes for cracks.</li> </ul>	<ul style="list-style-type: none"> <li>• Remove and reconnect all output connections at module and electrodes.</li> <li>• If sparks are observed other than from burner(s), wire insulation may be damaged. Replace wires.</li> <li>• Replace battery with a new AA-size alkaline battery.</li> <li>• Use paper towel to remove moisture.</li> <li>• Replace cracked or broken electrodes.</li> </ul>

 **PELIGRO** 

Si siente olor a gas:

1. Cierre el paso de gas al aparato.
2. Apague toda llama al descubierto.
3. Abra la tapa.
4. Si persiste el olor, aléjese del aparato y llame inmediatamente al proveedor local de gas o a los bomberos.

 **ADVERTENCIA** 

1. No guarde ni use gasolina ni otros líquidos o gases inflamables cerca de éste ni de cualquier otro aparato.
2. No guarde un tanque de gas propano, que no esté conectado, cerca de éste ni de cualquier otro aparato.

**Comuníquese con el centro de servicio para parrillas para solicitar ayuda o repuestos**

Si tiene alguna pregunta o necesita ayuda durante el armado, llámenos al **1-888-287-0735**. Hablará con un representante del fabricante de la parrilla, no con un empleado de Sears. Para pedir piezas nuevas, llame a Sears al **1-800-4-MY-HOME®**.

**Inscripción del producto**

**IMPORTANTE:** Llene la siguiente información de inscripción.

Número de modelo \_\_\_\_\_

Número de serie \_\_\_\_\_

El número de serie se encuentra en la etiqueta de especificaciones de la parrilla.

Fecha de compra \_\_\_\_\_

 **CAUTION** 

Sólo para uso particular. No lo use para fines

**Medidas de seguridad para la instalación**

- Por favor, lea este manual del usuario en su totalidad antes de usar la parrilla.
- El incumplimiento de las enseñanzas impartidas en serio puede resultar en lesiones corporales y / o daños materiales.
- Algunas partes de esta parrilla pueden tener bordes filosos. Por favor, use guantes protectores adecuados.
- Use la parrilla únicamente con gas propano y con la unidad reguladora / de válvula suministrada.  
La instalación de la parrilla debe cumplir con las disposiciones de los códigos locales, o, en su defecto, con el **National Fuel Gas Code (o Código nacional sobre gases combustibles)**, y las normas **NFPA 54 / ANSI Z223.1** y **Natural Gas and Propane Installation Code (Código de la instalación del gas natural y del propano)**, **CSA B149.1**. El manejo y el almacenamiento de los cilindros de gas propano se debe realizar de conformidad con el código sobre gas propano **NFPA/ANSI 58**. No se debe usar la parrilla en vehículos de recreo ni en embarcaciones.
- Todos los accesorios eléctricos (tal como el asador) deben estar conectados a tierra de conformidad con los códigos locales, o con el **National Electrical Code (Código nacional sobre electricidad)**, **ANSI / NFPA 70**. Mantenga todo cable eléctrico o tubería de suministro de combustible alejados de las superficies calientes.
- Esta parrilla únicamente cuenta con la certificación de seguridad para ser usada en los Estados Unidos. No la modifique para usarla en ningún otro lugar. Cualquier modificación puede poner en peligro su seguridad.

**IMPORTANTE:** Esta parrilla es para uso exclusivo al aire libre y no está destinada a ser instalada en o sobre vehículos de recreo o embarcaciones.

**NOTA PARA EL INSTALADOR:** Deja este manual del usuario con el cliente después de la entrega y / o instalación.

**NOTA A LOS CONSUMIDORES:** Deja este manual del usuario en un lugar conveniente para futura referencia.

 **PELIGRO** 

**PELIGRO:** Indica una situación peligrosa inminente que, de no evitarse, ocasionará la muerte o lesiones graves.

 **ADVERTENCIA** 

**ADVERTENCIA:** Indica una situación potencialmente peligrosa que, de no evitarse, podría causar la muerte o lesiones graves.

 **CAUTION** 

**CAUTION:** Indica una situación potencialmente peligrosa o práctica peligrosa que, de no evitarse, puede resultar en lesiones menores o moderadas.

## ÍNDICE DE MATERIAS

Por su propia seguridad . . . . .	. . 51
Centro de servicio para parrillas.. . . .	. . 51
Información de inscripción de la garantía . . . . .	. 51
Símbolos de seguridad . . . . .	. . 51
Medidas de seguridad para la instalación . . . . .	. . 51
Garantía para la parrilla Kenmore . . . . .	.53
Uso y mantenimiento . . . . .	. .54-60
Lista de piezas . . . . .	. . . 61-62
Vista esquemática de las piezas . . . . .	. . . 63
Armado . . . . .	. . . 64-67
Antes De La Asamblea . . . . .	. 68-96
Resolución de problemas . . . . .	. 97-99

### Contratos de protección contra los gastos de reparaciones

Felicitaciones por una sabia adquisición. Su nuevo producto Kenmore® ha sido diseñado y fabricado para ofrecerle muchos años de funcionamiento fiable. Pero, como ocurre con todo producto, es posible que sea necesario repararlo de vez en cuando. Ésa es la razón por la que el contar con un contrato de protección contra los gastos de reparaciones puede ahorrarle dinero y molestias. Adquiera ahora un contrato de protección contra los gastos de reparaciones y protéjase contra los inconvenientes y los gastos inesperados.

Su contrato de protección contra los gastos de reparaciones incluye:

- ✓ Servicio experto que ofrecen nuestros 10,000 especialistas en reparaciones.
- ✓ Servicio ilimitado sin cargo por piezas ni por mano de obra para todas las reparaciones amparadas por el contrato
- ✓ Cambio del producto, por un valor de hasta \$1500, si no se puede reparar su producto amparado por el contrato
- ✓ Descuento de un 25% del precio regular del servicio de mantenimiento y de las piezas utilizadas en el servicio de mantenimiento que no estén amparadas por el contrato; además, un descuento de un 25% del precio regular de los controles de mantenimiento preventivo
- ✓ Asistencia inmediata por teléfono: Lo llamamos Solución instantánea, es la asistencia telefónica por parte de un técnico de Sears. Imagínese que somos un "manual de propietario parlante."

Una vez que haya adquirido los servicios que le ofrece el contrato, le bastará una llamada telefónica para concertar una cita para las reparaciones. Puede llamar a cualquier hora del día o de la noche, o puede concertar una cita en línea.


El contrato de protección contra los gastos de reparaciones es una adquisición sin riesgos. Si, por alguna razón, lo cancela durante el período de garantía, le reembolsaremos todo su dinero. O, después que venza la garantía, le reembolsaremos una cantidad calculada a prorrata. Compre su contrato de protección contra los gastos de reparaciones hoy mismo!

Se aplican algunas limitaciones y exclusiones.


Pida mayor información y precios llamando al 1-800-827-6655.

### Servicio de instalación de Sears

Para la instalación profesional por Sears de electrodomésticos, dispositivos para abrir puertas de cocheras, calentadores de agua, y otros artefactos para el hogar, en EE. UU., llame al 1-800-4-MY-HOME®



## WARNING



**PROPOSICIÓN DE CALIFORNIA 65**

1. Derivados de combustión generados al usar este producto contienen sustancias químicas conocidas en el estado de California como causantes de cáncer, defectos de nacimiento y otros problemas reproductivos.
2. Este producto contiene químicos, incluyendo plomo y sus compuestos, conocidos en el estado de California como causantes de cáncer, defectos de nacimiento u otros daños reproductivos.

*Lávese las manos después de manipular este producto.*

## **GARANTÍA**

### **Garantía completa de un año para la parrilla Kenmore**

#### **Garantía limitada de un año de Kenmore**

Si esta parrilla falla debido a defectos de material o de mano de obra dentro del plazo de un año desde la fecha de compra, llame al 1-800-4-MY-HOME® ón gratuita (o el cambio si la reparación resulta imposible de realizar)

For ten years from the date of purchase, any burner that rusts through will be replaced free of charge. After the first year from the date of purchase, you are responsible for the labor cost to have it installed.

Toda cobertura de la garantía excluye las baterías encendedor y parrilla parte pintura pérdida, decoloración o superficie de oxidación, que son cualquiera de los dos componentes que pueden gastarse por el uso normal dentro del período de garantía, o son condiciones que pueden ser el resultado de un uso normal, accidente o mantenimiento inadecuado.

Toda cobertura de la garantía quedará anulada si este producto se utiliza para distintos fines domésticos privados.

#### **Esta garantía cubre solamente defectos en material y mano de obra. Sears no pagará por:**

1. Fungibles que se desgasten por uso normal dentro del período de garantía, incluyendo pero no limitado a pilas, bombillas y recubrimientos de superficie o acabados.
2. Un técnico de servicio a instruir al usuario en el producto correcto de instalación, operación o mantenimiento.
3. Un técnico de servicio para limpiar o mantener este producto.
4. Daño o falla de este producto si no está instalado, operado o mantenido de acuerdo con las todas las instrucciones provistas con el producto.
5. Daño o falla de este producto como resultado de accidente, abuso, uso indebido o use para su propósito diferente.
6. Daño o falla de este producto causado por el uso de detergentes, limpiadores, productos químicos o utensilios diferentes de los recomendados en todas las instrucciones provistas con el producto.
7. Daños o fallas de piezas o sistemas como resultado de modificaciones no autorizadas a este producto.

#### **Exclusión de garantías implícitas :**

Limitación de recursos único del cliente y remedio exclusivo bajo esta garantía limitada es la reparación del producto contenida. Las garantías implícitas, incluyendo garantías de comerciabilidad o idoneidad para un propósito en particular, están limitadas a un año o al período mínimo permitido por la ley. Sears no será responsable por daños incidentales o consecuentes. Algunos Estados y provincias no permiten la exclusión o limitación de daños incidentales o consecuentes o limitación en la duración de las garantías implícitas de comerciabilidad o capacidad, de modo que las limitaciones o exclusiones arriba mencionadas pueden no aplicarse a usted.

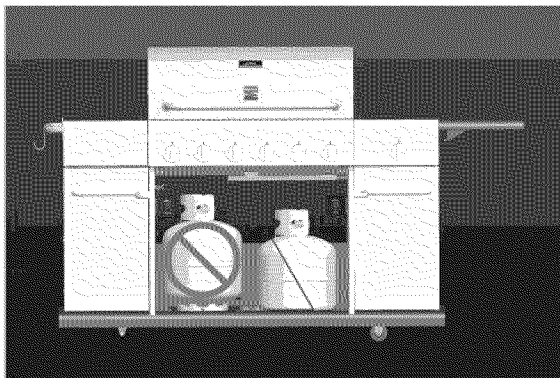
Esta garantía se aplica sólo mientras este aparato se utiliza en los Estados Unidos.

Esta garantía le otorga derechos legales específicos, y usted también puede tener otros derechos que varían de estado a estado.

Sears Brands Management Corporation,  
Hoffman Estates, IL 60179

# PELIGRO

- **NUNCA** guarde los cilindros de gas de repuesto debajo del aparato, cerca del mismo, ni en áreas cerradas.

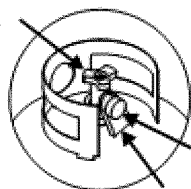


- Nunca cargue el tanque con más del 80% de su capacidad.
- Los tanques de gas propano de repuesto sobrecargados o mal llenados son peligrosos, ya que la válvula de seguridad puede dejar salir gas. Esto puede provocar incendios intensos que pueden causar daños materiales, lesiones graves o la muerte.
- Si observa, huele o escucha una fuga de gas, aléjese de inmediato del cilindro y del aparato, y llame a los bomberos.

### Remoción, transporte y almacenamiento del tanque de gas propano

- **CIERRE** todas las perillas de control y la válvula del tanque. Gire la tuerca de unión en sentido contrario a las agujas del reloj, a mano solamente; no use herramientas para desconectarla. Afloje el tornillo del tanque que se encuentra por debajo de el estante inferior, y luego levante el tanque y sáquelo del carro. Instale la tapa de seguridad en la válvula del tanque de gas.

Válvula del tanque de gas

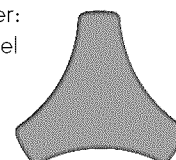


Tapa de seguridad  
Tira de sujeción

- Use siempre la tapa y la tira que vienen con la válvula. Los otros tipos de cofias o tapones pueden dejar escapar el gas propano. Si la tapa de seguridad no se usa tal como se indica, esto puede ocasionar lesiones o daños materiales graves.
- No guarde el tanque de gas en lugares donde jueguen los niños.

### Tanque de gas propano

- El tanque de gas que use con su parrilla debe cumplir los siguientes requisitos:
- Use únicamente tanques de gas que tengan las siguientes medidas obligatorias: 12" (30.5 cm) (diámetro) x 18" (45.7 cm) (altura), con una capacidad máxima de 20 lb. (9 kg).
- Debe estar fabricados y codificados según las especificaciones del Departamento de Transporte de los Estados Unidos (DOT), para tanques de gas propano. El código se encuentra en el collarín del tanque de gas.
- La válvula del tanque de gas debe tener:
  - Una salida de tipo 1, compatible con el regulador o la parrilla.
  - Una válvula de paso de seguridad.
  - Un dispositivo de seguridad volumétrica (OPD por sus siglas en inglés) certificado por UL. Esta característica de seguridad OPD se identifica mediante una manilla de forma triangular. Use únicamente tanques equipados con válvulas de este tipo.
- El tanque de gas debe tener un dispositivo de extracción del vapor y venir con un collarín para proteger su válvula. Siempre mantenga los tanques de gas en posición vertical durante su uso, su transporte o su almacenamiento.



Manilla del dispositivo de seguridad volumétrica



Tanque de gas en posición vertical para extraer el vapor

### El gas propano (GLP)

- Es atóxico, inodoro e incoloro en el momento en que se produce. Por su propia seguridad, al gas propano se le ha incorporado un olor (parecido al de la col podrida), de modo que se pueda oler.
- El gas propano es sumamente inflamable y se puede encender en forma inesperada al mezclarse con el aire.

### Carga de los tanques de gas propano

- Recorra solamente a vendedores autorizados y con experiencia.
- El vendedor de gas debe purgar el tanque nuevo antes de cargarlo.
- El vendedor no debe cargar **NUNCA** el tanque de gas con más del 80% de su volumen. El volumen de gas propano en el tanque puede variar con la temperatura.
- Si el regulador está empañado, eso indica que el tanque está sobrecargado. Cierre de inmediato la válvula del tanque y solicite ayuda del vendedor de gas propano.
- No deje escapar gas propano a la atmósfera. Ésta es una práctica peligrosa.
- Solicite ayuda del vendedor de propano o de los bomberos, para vaciar el gas de su tanque. Identifique a los vendedores autorizados de propano de su región en la sección de "compañías de gas" de la guía telefónica.

## Cambio del tanque de gas

- Muchos comerciantes minoristas que venden parrillas, le ofrecen la opción de cambiar su tanque de gas vacío mediante un servicio de recambio. Emplee únicamente empresas de recambio de buena reputación, que inspeccionen, carguen con precisión, verifiquen y certifiquen sus cilindros. **Cambie su tanque sólo por otros tanques equipados con el dispositivo de seguridad volumétrica que se describe en la sección de *Tanques de gas* de este manual.**
- Siempre mantenga los tanques de gas, nuevos y de repuesto, en posición vertical durante su uso, su transporte o su almacenamiento.
- Verifique que los tanques de gas, nuevos o de recambio, no tengan fugas ANTES de conectarlos a la parrilla.

## Prueba para detectar fugas del tanque de gas propano Por su propia seguridad

- Se debe efectuar la prueba para detectar fugas cada vez que se cambie o se recargue el tanque.
- No fume durante la prueba para detectar fugas.
- No use una llama al descubierto para comprobar si el tanque tiene fugas.
- La prueba para detectar fugas de la parrilla se debe efectuar al aire libre, en un área bien ventilada, alejada de toda fuente de ignición tal como los artefactos a gas o eléctricos. Durante la prueba para detectar fugas, mantenga la parrilla alejada de las llamas al descubierto o de las chispas.
- Use una brocha de pintura limpia y una solución de 50/50 de agua y jabón suave. Pinte con la solución jabonosa las áreas indicadas por las flechas en la ilustración que sigue.

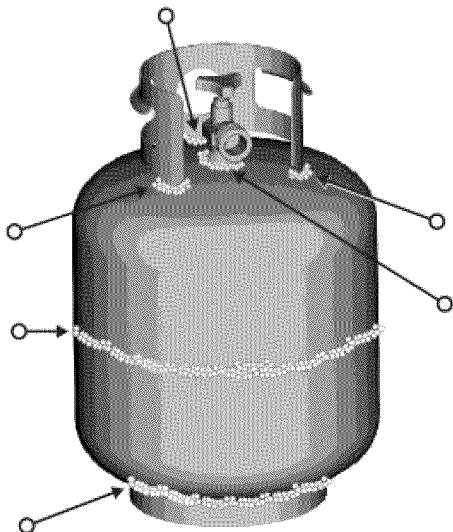


# ADVERTENCIA



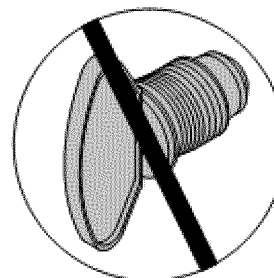
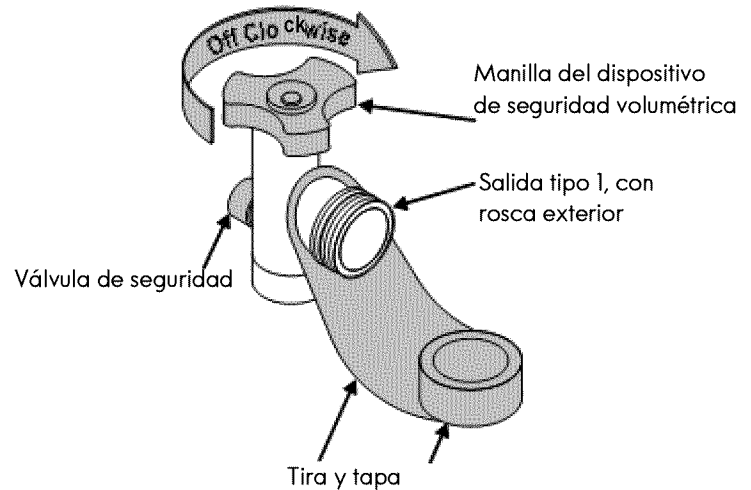
Si aparecen burbujas que aumentan de tamaño, no use ni mueva el tanque de gas. ¡Comuníquese con el proveedor de gas propano o con los bomberos!

- ▲ **No use productos de limpieza del hogar.** Esto puede dañar los componentes del circuito de gas.



## Como conectar el regulador al tanque de gas propano

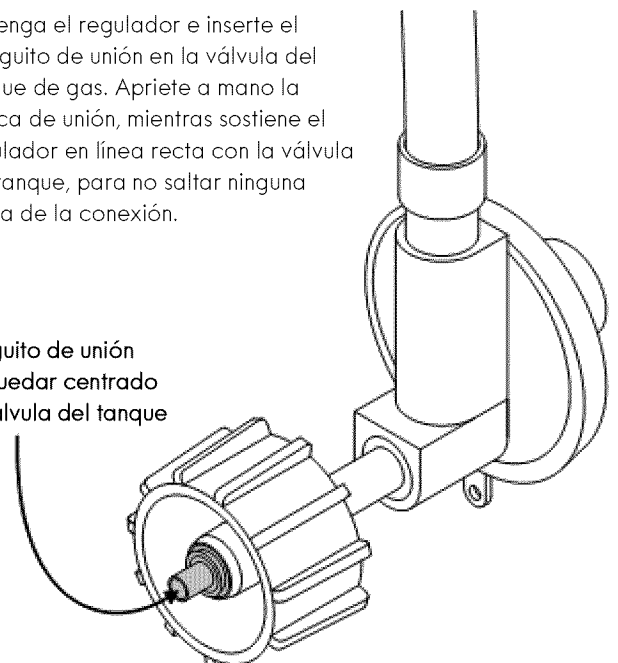
1. El tanque de gas debe quedar bien fijado a la parrilla. (Lea la sección de ensamblado.)
2. Gire todas las perillas de control a la posición APAGADO (OFF).
3. CIERRE el tanque de gas, girando la manilla de la válvula en el sentido de las agujas del reloj, hasta que se detenga por completo.
4. Retire la tapa protectora de la válvula del tanque de gas. Use siempre la tapa y la tira que vienen con la válvula.

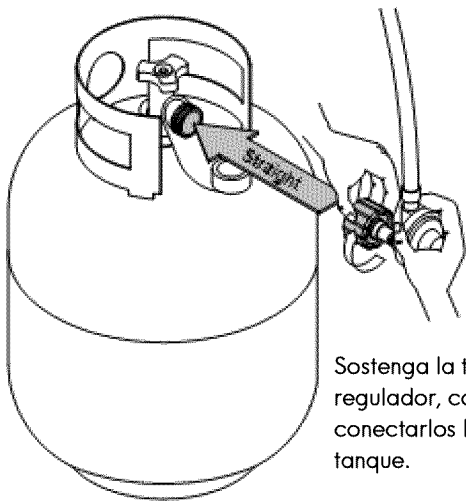


No use un tapón POL para transporte (la pieza de plástico con rosca en el exterior). Anulará la característica de seguridad de la válvula.

5. Sostenga el regulador e inserte el manguito de unión en la válvula del tanque de gas. Apriete a mano la tuerca de unión, mientras sostiene el regulador en línea recta con la válvula del tanque, para no saltar ninguna rosca de la conexión.

El manguito de unión debe quedar centrado en la válvula del tanque de gas.





Sostenga la tuerca de unión y el regulador, como se ilustra, para conectarlos bien a la válvula del tanque.

- Gire la tuerca de unión en el sentido de las agujas del reloj, apretándola hasta que no se mueva más. El regulador formará un sello en el dispositivo de seguridad de la válvula del tanque, lo que creará cierta resistencia. **Se deberá hacer girar la tuerca entre un cuarto y tres cuartos de vuelta adicionales, para completar la conexión. Apriétela a mano únicamente -- no use herramientas.**

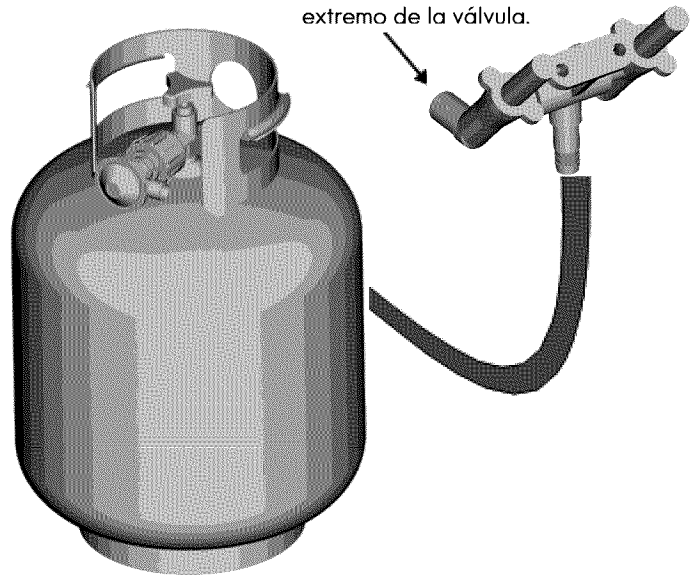
**NOTA:**

Si no puede completar la conexión, desconecte el regulador y repita los pasos 5 y 6. Si a pesar de haberlo hecho, todavía no puede completar la conexión, **¡no use este regulador!** Llame al 1-800-4-MY-HOME® para una pieza de repuesto idénticas.

**Prueba para detectar fugas de las válvulas, las mangueras y el regulador**

- Gire todas las perillas de control de la parrilla a la posición de APAGADO.
- Cerciórese de que el regulador esté bien conectado al tanque de gas.
- Abra por completo la válvula del tanque, girando la manilla en sentido contrario a las agujas del reloj. Si escucha un *sonido de ráfaga*, cierre de inmediato el paso de gas. La conexión tiene una fuga considerable. **Corrija esta situación antes de continuar.**
- Aplique solución jabonosa con la brocha, en las áreas marcadas con un círculo en la ilustración que sigue.

▲ Nunca retire el orificio roscado del extremo de la válvula.



- Si aparecen burbujas **que aumentan de tamaño**, existe una fuga. Cierre de inmediato la válvula del tanque de gas y vuelva a apretar las conexiones. **Si no puede eliminar las fugas, no intente repararlas.** Solicite una pieza de repuesto. Encargue las piezas nuevas indicando el número de serie, de modelo y el nombre de las piezas que requiera (vea la lista de piezas), llamando al centro de servicio para parrillas al 1-800-4-MY-HOME®.
- Después de hacer una prueba para detectar fugas, cierre siempre la válvula del tanque de gas, girando la manilla en el sentido de las agujas del reloj.

PELIGRO

No introduzca ninguna herramienta ni ningún objeto extraño en la salida de la válvula ni en la válvula de seguridad. Puede dañarla y causar una fuga. Las fugas de gas propano pueden causar explosiones, incendios, lesiones graves o la muerte.

ADVERTENCIA

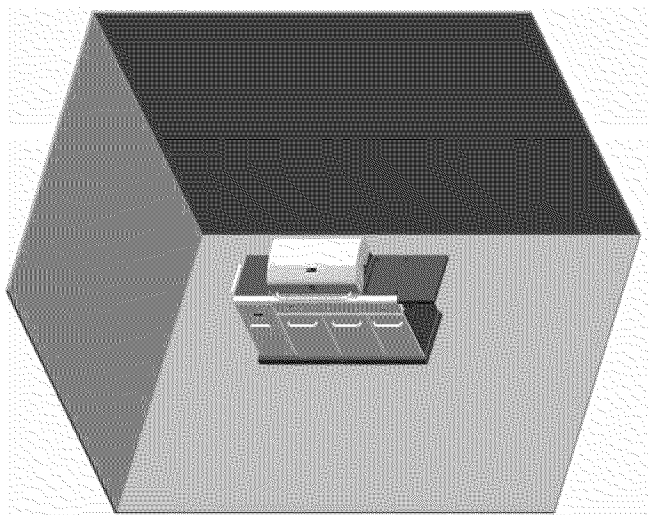
- El aparato a gas para uso al aire libre no ha sido diseñado para ser instalado en embarcaciones.
- El aparato a gas para uso al aire libre no ha sido diseñado para ser instalado en vehículos de recreo.
- Nunca trate de conectar esta parrilla al sistema de gas propano independiente de un remolque de recreo o de una casa rodante.
- No use la parrilla sin antes haber verificado que no tenga fugas.
- En caso de detectar una fuga en cualquier momento, **DETÉNGASE** y llame a los bomberos.
- Si no puede detener una fuga de gas, **¡cierre de inmediato** la válvula del tanque de gas y llame al distribuidor o a los bomberos!



# ADVERTENCIA

## Para usar su parrilla en forma segura y para evitar lesiones graves:

- No deje que los niños usen la parrilla ni que jueguen cerca de la misma.
- Mantenga el área de la parrilla limpia y sin materiales combustibles.
- No obstruya los agujeros laterales ni los de la parte posterior de la parrilla.
- Revise periódicamente las llamas del quemador.
- Use la parrilla sólo en lugares bien ventilados. **NUNCA** la use en lugares cerrados tales como cocheras, garajes, porches, patios techados o debajo de superficies de ningún tipo.
- No use carbón ni briquetas de cerámica en una parrilla a gas. *(Salvo que las briquetas vengan con su parrilla.)*
- Use la parrilla al menos a 3 pies de distancia de cualquier pared o superficie. Deje un espacio de 10 pies entre la parrilla y los objetos que puedan incendiarse o que sean fuentes de ignición, tal como las llamas de encendido de calentadores de agua, electrodomésticos conectados, etc.



- **Para personas que viven en apartamentos:**  
Pídale al administrador que le indique los requisitos y los códigos contra incendios que corresponden al uso de parrillas de gas propano en un edificio de apartamentos. Si se le permite usarla, hágalo al aire libre, en la planta baja, dejando un espacio libre de tres (3) pies entre la parrilla y las paredes o las barandillas. No la use en balcones o debajo de los mismos.
- **NUNCA** trate de encender el quemador con la tapa cerrada. Las acumulaciones de gas no encendido en las parrillas tapadas son peligrosas.
- Nunca use la parrilla si el tanque de gas no está en la posición correcta que se especifica en las instrucciones de ensamblado.
- Siempre cierre la válvula del tanque de gas y retire la tuerca de unión antes de mover el tanque del sitio específico de uso.

## Consejos de seguridad

- ▲ Verifique que la tuerca de unión esté bien apretada antes de abrir la válvula del tanque de gas.
- ▲ Cuando no use la parrilla, cierre todas las perillas de control y la válvula del tanque de gas.
- ▲ Si la aplicación al aire libre del gas que cocina no es adentro uso, el gas se debe dar vuelta apagado en el cilindro de la fuente. El almacenaje de una aplicación al aire libre del gas que cocina dentro es permitido solamente si el cilindro se desconecta y se quita de la aplicación.
- ▲ Nunca mueva la parrilla cuando la esté usando o mientras esté caliente.
- ▲ Use utensilios para parrilla de mango largo y guantes para hornear, para evitar quemaduras y salpicaduras.
- ▲ El peso máximo que soportan los estantes laterales es 10 lb.
- ▲ La lata para la grasa **debe** estar colocada en su presilla, y se debe vaciar cada vez, después de usarla. No retire la lata para la grasa hasta que la parrilla se haya enfriado por completo.
- ▲ Limpie la parrilla con frecuencia; de preferencia cada vez después de usarla. Si utiliza un cepillo de cerdas para limpiar las superficies para cocinar, antes de usar la parrilla verifique que no queden cerdas sueltas sobre éstas. Se recomienda no limpiar las superficies para cocinar cuando la parrilla esté aún caliente.
- ▲ Si observa que de la parrilla caen gotas de grasa u otras sustancias calientes a la válvula, la manguera o el regulador, cierre inmediatamente el paso de gas. Establezca la causa, corrija el problema, limpie e inspeccione la válvula, la manguera y el regulador, antes de proseguir. Haga una prueba para detectar fugas.
- ▲ El regulador puede emitir un sonido zumbante o sibilante durante su uso. Esto no afectará la seguridad ni el uso de la parrilla.
- ▲ Utilice solamente el regulador de presión y el montaje de manguera provistos de esta parrilla. El regulador de presión del reemplazo y los montajes de manguera deben ser especificados o provisto cerca.
- ▲ Si tiene un problema con la parrilla, lea la sección de *Resolución de problemas*.
- ▲ Si el regulador se congela, apague inmediatamente la parrilla y cierre la válvula del tanque de gas. Esto indica que existe un problema con el tanque y no debe ser usado en otro producto. ¡Devuélvalo al proveedor!

# CAUTION

- No es posible apagar los fuegos provocados por la grasa cerrando la tapa. Por razones de seguridad, las parrillas tienen aberturas de ventilación.
- No use agua para apagar los fuegos provocados por la grasa. Esto puede ocasionar lesiones. Si surge un fuego provocado por la grasa, cierre las perillas y el tanque de gas.
- No deje desatendida la parrilla cuando la esté precalentando o usando la alta temperatura para quemar los residuos de comida. Si no se ha limpiado, periódicamente la parrilla, se puede presentar un fuego provocado por la grasa, que puede dañar al producto.

## Empuje & gire instrucciones de encendido de ignición electrónica

1. Abra la tapa durante la iluminación.
2. Válvula de gas Abra el tanque.
3. Presione y gire cualquier control de quemador principal a Hi y mantenga en. Usted escuchará un sonido de chasquido de los electrodos de todos los quemadores.
4. Si encendido no se enciende en 5 segundos, gire la perilla de control del quemador, espere 5 minutos y repita el procedimiento de encendido.
5. Para encender otro quemador principal, repita el paso 3.
6. Para encender el quemador lateral, siga los pasos 2-4 con la perilla del quemador lateral.

**ADVERTENCIA**

Gire los controles y la fuente de gas o OFF tanque cuando no esté en uso.

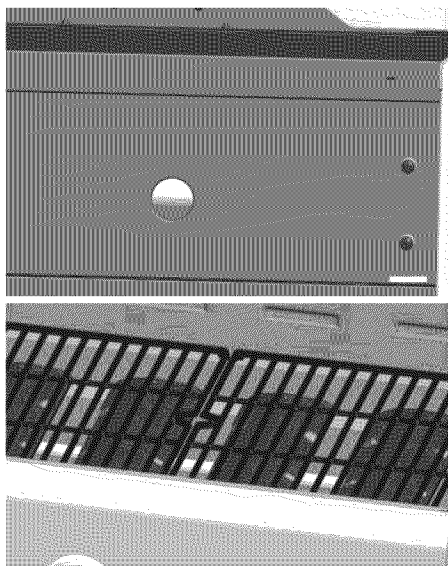
**CAUTION**

Si NO se enciende en 5 segundos, gire los controles del quemador a la posición de APAGADO (OFF), espere 5 minutos y repita el proceso de encendido. Si el quemador no se enciende con la válvula abierta, el gas continuará saliendo por el mismo y puede encenderse accidentalmente, con el riesgo de ocasionar lesiones.

### Iluminación del partido

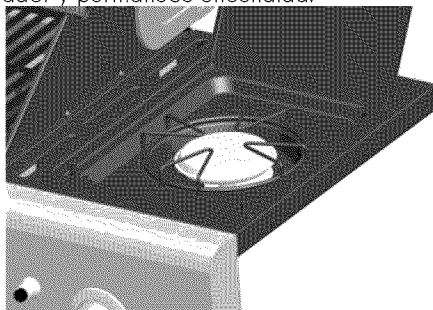
▲ No se incline sobre la parrilla mientras la enciende.

1. Abra la tapa durante la iluminación.
2. Partido puesto en partido titular (colgado en la parte posterior del panel de la izquierda). Luz coincidan, coloque en el orificio en el lado izquierdo de la cámara de combustión.
3. Gire la perilla de la derecha a la posición HI. Ser que se encienda el quemador y permanecen encendidos..
4. Luz otros quemadores siguen con el paso 3.



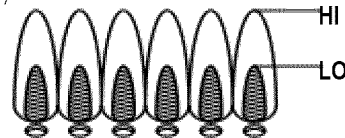
### Quemador lateral partido iluminación

1. Tapa del quemador lateral abierta. Encienda el gas en el cilindro de gas LP.
2. Coloque un fósforo encendido cerca del quemador.
3. Gire la perilla del quemador lateral a HI. Ser que se encienda el quemador y permanece encendida.



### Control de la llama del quemador

- Retire las parrillas de cocción y los reguladores de llama. Encienda los quemadores y gire las perillas, de la graduación ALTA (HI) a la graduación BAJA (LO). Deberá ver una llama más reducida en la graduación baja que en la graduación alta. Controle siempre las llamas antes de cada uso. Si sólo se observan llamas bajas, lea lo referente a la *Caída repentina de las llamas o llamas bajas* en la sección de *Resolución de problemas*.



### Como apagar la parrilla

- Gire todas las perillas de control a la posición de APAGADO (OFF).

### Control del encendedor

- Cierre el paso de gas desde el tanque. Presione el botón del encendedor rápidamente. Deberá oír un chasquido y ver chispas cada vez, entre la caja de recolección o el quemador y el electrodo. En caso de no oír chasquidos ni ver chispas, lea la *sección de Resolución de problemas*.

### Control de la válvula

- **Importante:** Cerciórese de haber cerrado el paso de gas desde el tanque antes de revisar las válvulas. Las perillas se traban al llegar a la posición de APAGADO (OFF). Para revisar las válvulas, primero presione las perillas y luego suéltelas; las perillas deben regresar a su posición original. De lo contrario, cambie la unidad de la válvula antes de usar la parrilla. Gire las perillas a la graduación BAJA y luego regréselas a la posición de APAGADO. Las válvulas deben girar suavemente.

### Control de la manguera

- Antes de cada uso, verifique que las mangueras no tengan cortes ni estén desgastadas. Cambie las mangueras dañadas antes de usar la parrilla. Use sólo la válvula / la manguera / el regulador especificado por el fabricante.

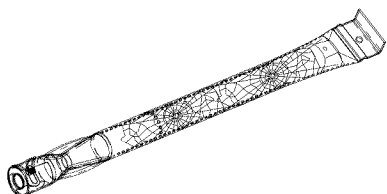
### Limpieza general de la parrilla

- No confunda la acumulación de grasa y de humo, de color marrón o negro, con la pintura. La parte interna de las parrillas a gas no viene pintada de fábrica (y no se debe pintar nunca). Aplique una solución concentrada de detergente y de agua, o use un limpiador para parrillas con un cepillo de cerdas resistentes, cepillando la parte interna de la tapa de la parrilla y el fondo de la misma. Enjuáguelos y deje que se sequen completamente al aire. **No aplique limpiadores cáusticos para parrillas / limpiadores de hornos a las superficies pintadas.**
- **Piezas plásticas:** Lávelas con agua jabonosa tibia y séquelas con un paño.
- **Superficies de porcelana:** Debido a su composición vítrea, la mayoría de los residuos se puede eliminar con un paño empapado en una solución de bicarbonato de soda y agua, o con un limpiador especialmente formulado. Use un polvo limpiador no abrasivo para las manchas difíciles de eliminar.
- **Superficies pintadas:** Lávelas con un detergente suave o un limpiador no abrasivo y agua tibia jabonosa. Séquelas con un paño suave, no abrasivo.
- **Superficies para cocinar:** Si utiliza un cepillo de cerdas para limpiar las superficies para cocinar, antes de usar la parrilla verifique que no queden cerdas sueltas sobre éstas. Se recomienda no limpiar las superficies para cocinar cuando la parrilla esté aún caliente.

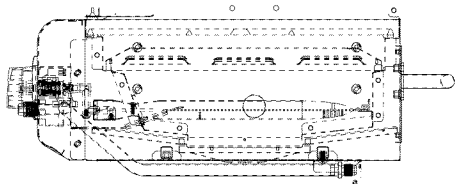


## ¡ALERTA CONTRA

**IMPORTANT:** Asegúrese siempre de que los tubos venturi estén limpios. Un tubo de venturi del quemador tiene un área estrecha en la que las arañas tienden a construir nidos.



Si usted nota que le es más difícil encender la parrilla o que la llama es más débil de lo normal, examine y limpie los tubos venturi's.



Las arañas y los insectos pequeños han producido "fognazos". Las arañas tejen sus telas, hacen sus nidos y ponen sus huevos en los tubos Venturi de las parrillas, que obstruyen el paso del gas al quemador. El gas que se acumula dentro de los tubos Venturi, ubicados en la parte posterior del tablero de control, se puede encender. A esto se le llama "fognazo", y puede dañar su parrilla e, incluso, puede producir lesiones.

Para evitar los fognazos y garantizar el buen funcionamiento, retire la unidad del quemador y del tubo Venturi y límpielos antes de usar la parrilla, si no la ha usado durante un tiempo prolongado.

### Cómo guardar su parrilla

- Limpie las parrillas de cocción.
- Guárdela en un lugar seco.
- Cuando el tanque de gas esté conectado a la parrilla, guárdela al aire libre, en un lugar bien ventilado y fuera del alcance de los niños.
- Cubra la parrilla si la guarda al aire libre. El fabricante tiene a su disposición una variedad de cubiertas para parrillas.
- SOLO guarde la parrilla bajo techo si se ha cerrado el paso y desconectado el tanque de gas, retirándolo de la parrilla y guardándolo al aire libre.
- Siga las instrucciones sobre *Cómo limpiar la unidad del quemador* antes de encender la parrilla, cuando la misma haya estado guardada.

### Cómo limpiar la unidad del quemador

Siga estas instrucciones para limpiar o cambiar piezas de la unidad del quemador, o si tiene problemas para encender la parrilla.

1. Cierre el paso de gas en las perillas de control y desde el tanque de gas.
2. Retire las parrillas de cocción y Termodisipador.
3. Extraiga el pasador de la parte posterior de los quemadores.
4. Levante y retire cuidadosamente cada quemador de las aberturas de la válvula.

Sugerimos tres maneras de limpiar los tubos del quemador. Siga la que le sea más fácil.

- (A) Doble un alambre rígido (un gancho de alambre para ropa sirve bien) para formar un gancho pequeño. Pase varias veces el gancho a través del tubo de cada quemador.

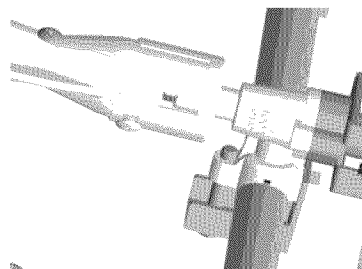


- (B) Use un cepillo delgado de botella, de mango flexible (no use un cepillo de alambre de latón), páselo varias veces a través del tubo de cada quemador.

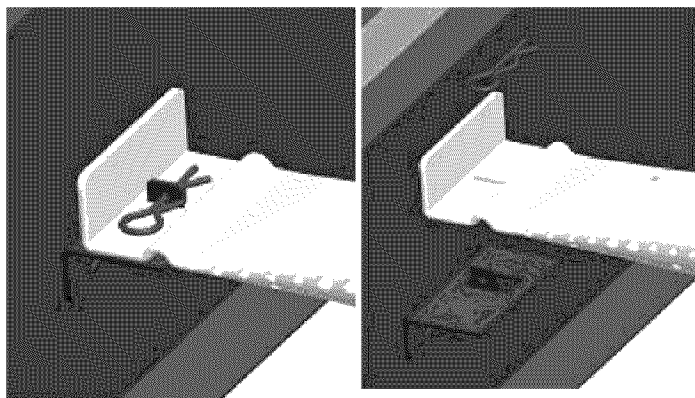
- (C) Use protectores para la vista: Con una manguera neumática,

5. Limpie todo puerto que esté atascado con un alambre rígido, tal como un sujetapapeles.
6. Examine el quemador para detectar daños; algunos orificios pueden alargarse debido al desgaste normal y a la corrosión. Si observa grietas u orificios grandes, cambie el quemador.

**MUY IMPORTANTE:** Los tubos del quemador se deben volver a conectar en las aberturas de la válvula. Vea las ilustraciones a la derecha.

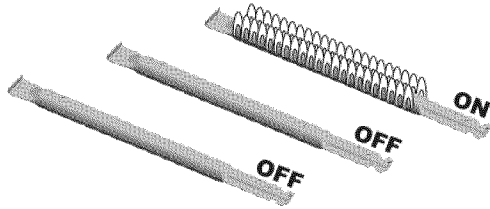


7. Vuelva a colocar cuidadosamente los quemadores.
  8. Fije los quemadores a los soportes de la cámara de combustión.
  9. Vuelva a colocar los tubos de arrastre y fije los quemadores.
- Cambie los reguladores de llama y las parrillas de cocción.



## Cocción indirecta

Las aves y los cortes grandes de carne se cocinan lentamente a la perfección en la parrilla por calor indirecto. El calor de los quemadores elegidos circula suavemente por la parrilla, cocinando la carne y las aves sin contacto directo con la llama. Este método disminuye considerablemente los fregonazos al cocer cortes de carne con mucha grasa, debido a que no hay llama directa que incendie la grasa y los jugos durante la cocción. during cooking.



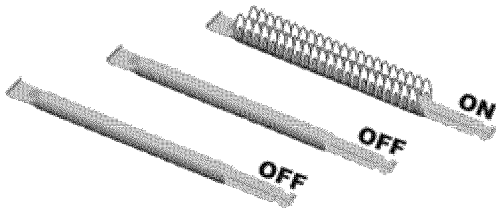
Cocine con calor directo o indirecto.

Es lo mejor para porciones pequeñas de comida o alimento.

Consume menos combustible.

## Instrucciones para la cocción indirecta

- Siempre cocine con la tapa cerrada.
- Debido a las condiciones del clima, el tiempo de cocción puede variar. En tiempo frío y ventoso, es posible que sea necesario elevar la graduación de la temperatura para garantizar una suficiente temperatura de cocción.



## Cocción con 2 quemadores

Excelente cocción con calor indirecto en graduación baja.

Produce calentamiento lento y uniforme.

Ideal para asar y hornear lentamente.

## Seguridad con los alimentos

La seguridad con los alimentos es una parte muy importante del disfrute de su parrillada al aire libre. Siga estos cuatro pasos básicos para proteger a los alimentos contra las bacterias nocivas:

**Limpieza:** Lávese las manos, lave los utensilios y las superficies con agua jabonosa caliente, antes y después de manipular carnes y aves crudas.

**Separación:** Mantenga las carnes y las piezas de aves crudas separadas de los alimentos listos para comer, para evitar la contaminación cruzada. Use bandejas y utensilios limpios para servir los alimentos preparados.

**Cocción:** Cocine bien las carnes y las piezas de ave, para matar las bacterias. Use un termómetro para verificar que los alimentos alcancen la temperatura interna adecuada.

**Refrigeración:** Refrigere con prontitud los alimentos preparados y las sobras.

Para mayor información llame a: la línea de información sobre carnes y aves del Ministerio de Agricultura de EE UU, 1-800-535-4555. En Washington, D.C. por el (202) 720-3333, entre las 10.00 y las 16.00 horas, hora normal del Este. EST.

## Cómo saber cuándo las carnes están bien cocidas

- El exterior de las carnes y las piezas de ave preparadas a la parrilla a menudo se dora rápidamente. Use un termómetro para carnes, para verificar que los alimentos alcancen una temperatura interna segura, y corte la carne para verificar visualmente si ya está lista.
- La temperatura de las aves enteras debe alcanzar 180° F; las pechugas, 170° F. El jugo de las mismas debe ser transparente y la carne no debe tener color rosado.
- La temperatura de las hamburguesas hechas con carne molida de res o de ave, debe alcanzar 160° F, y el color de su centro debe ser marrón, sin jugos de color rosado. Los filetes, asados y chuletas de res, de ternera y de cordero se pueden asar a 145° F. La temperatura de todos los cortes de cerdo debe alcanzar 160° F.
- NUNCA cocine parcialmente las piezas de carne o de aves, para terminar de cocinarlas después. Cocine los alimentos completamente, para destruir las bacterias nocivas.
- Cuando recaliente los alimentos de comida rápida o las carnes ya cocidas por completo, áselos a 165° F, o hasta que humeen.

**ADVERTENCIA:** Para asegurarse que la comida se pueda comer sin peligro, debe cocinarse a las temperaturas internas mínimas señaladas en la tabla siguiente:

USDA* Temperaturas internas mínimas de cocción	
Carne de res, ternera, cordero y cerdo —Corta todo **	145° F
Pescado	145° F
Carne de res, ternera, cordero y cerdo— Carne	160° F
Platos a base de huevos	160° F
Pavo, pollo y pato - piezas enteras, y de tierra	165° F

\* Departamento de Agricultura de Estados Unidos

\*\* Permitir que la carne de un descanso de tres minutos antes de cortarlo o consumir.

## LISTA DE PIEZAS

Clave	Descripción	Cant	Pieza No.	Clave	Descripción	Cant	Pieza No.
1	Parrilla de calentamiento	1	61200202	24	Panel de la derecha, gabinete derecho	1	61200093
2	Cocina la parrilla	3	61200203	25	Caja individual de imán	2	61200129
3	Difusor de calor	6	40800023	26	Imán	6	40200094
4	Bandeja de grasa	1	61200022	27	Deflector de tanque derecho del gabinete	1	61200098
5	Parrilla del quemador lateral	1	40800019	28	Soporte de la puerta, gabinete derecho	1	61200100
6	Estante lateral derecho	1	61200045	29	Soporte de pasador de la bisagra superior derecha	2	40200057
7	Base del quemador lateral	1	40800063	30	Soporte de la herramienta	1	61200107
8	Quemador lateral	1	40800123	31	Derecho de la puerta	1	61200101
9	Tapa del quemador lateral	1	40200044	32	Manija de la puerta	4	61200217
10	Gire el eje de la tapa del quemador lateral	1	61200216	33	Puerta derecha, gabinete principal	1	61200072
11	Ingiter cable, quemador lateral	1	61300105	34	Indicador de temperatura	1	61200201
12	Fascia, estante de la derecha	1	61200047	35	Tapa	1	61200004
13	control del quemador, quemador lateral	1	61200400	36	Gire la varilla, tapa	2	50300207
14	Perilla de control	7	40900206	37	Delantero parachoques de goma de silicona	2	40700103
15	Soporte de estante lateral	2	61200056	38	Placa de la insignia	1	40800106
16	Estante lateral plegable	1	61200051	39	Tapa manija asiento	2	40900013
17	Protector de calor del tanque	1	61200024	40	Mango de la tapa	1	61200011
18	Soporte del protector de calor del tanque	1	61200025	41	Parachoques de goma de silicona de cámara de combustión	2	50300205
19	Soporte de manguera de gas	2	61300030	42	Cámara de combustión	1	61200013
20	Módulo electrónico de ignición	2	61200215	43	Taza de la grasa	1	40800026
21	Soporte de módulo derecho	1	61300032	44	Clip de taza de grasa	1	40800131
22	Panel posterior del gabinete derecho	1	61200091	45	Barra del control deslizante	2	60200210
23	Panel de la derecha, gabinete principal	1	61200060	46	Soporte de la barra deslizante	1	61200083

**NOTA: Algunas de las piezas de la parrilla, ilustradas en los pasos de armado, pueden ser ligeramente diferentes a las de su modelo de parrilla. Sin embargo, el método de armado es el mismo.**

## LISTA DE PIEZAS

Clave	Descripción	Cant	Pieza No.	Clave	Descripción	Cant	Pieza No.
47	Pasador de chaveta	10	110050	69	Lower Door Magnet Box	1	40200072
48	Quemador principal	6	61200026	70	Caster	2	40900213
49	Alambre de Ingitor A	4	61200205	71	Volver Bottom barra de soporte	1	61200125
50	Alambre de Ingitor B	2	61200206	72	Front Bottom barra de soporte	1	61200127
51	Colector, quemador principal	1	61200033	73	Puerta izquierda, el gabinete principal	1	61200068
52	Válvula de gas, quemador principal	6	61200204	74	gancho	4	61200221
53	Regulador	1	40800115	75	Presione Bar	1	61200212
54	Manguera del quemador	1	61200214	76	Left Side Shelf	1	61200035
55	Válvula de gas, quemador lateral	1	61200213	77	Asiento cajón	1	61200043
56	Panel de control	1	61200028	78	manija del cajón	1	61200211
57	control del quemador, quemador principal	6	40900036	79	Fascia cajón	1	61200038
58	Riel trasero	1	61200065	80	Back Panel, Gabinete izquierda	1	61200075
59	Soporte de la puerta, gabinete principal	1	61200067	81	Ajuste del soporte Holder	1	40800129
60	Soporte de pasador de bisagra superior izquierda	2	40200056	82	Ajuste del soporte Holder	1	40800128
61	Puerta superior de la caja de Manget	1	61300106	83	Panel izquierdo, gabinete principal	1	61200058
62	Panel posterior del gabinete principal	1	61200062	84	Panel Izquierda, Izquierda Gabinete	1	61200078
63	Deflector tanque	1	40200070	85	Soporte Módulo izquierda	1	61300031
64	Soporte del tanque	1	40800130	86	Shelf Cabinet izquierda	1	61200084
65	Estante inferior izquierdo	1	61200109	87	Soporte de la puerta, gabinete de izquierda	1	61200086
66	Estante inferior derecha	1	61200116	88	Puerta del gabinete izquierdo	1	61200087
67	Ruedas giratorias con freno	2	40900212	89	Atteindre chaîne Holder	1	120007
68	Barra de soporte del Angel	2	40900060				

No se ilustra

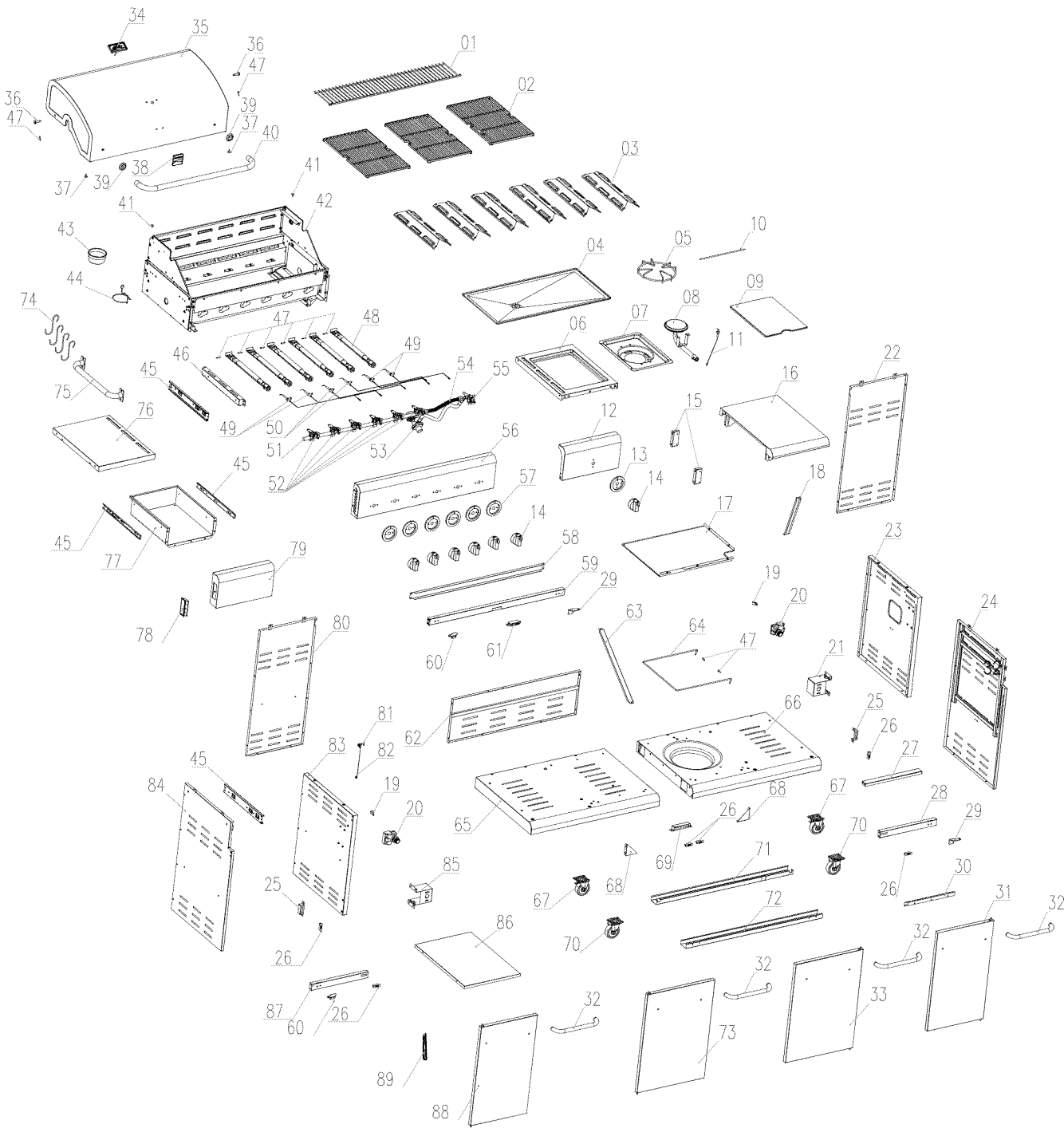
Paquete de herrajes	1	61200342
Manual del producto	1	61200343

Si le falta el hardware o que han deteriorado las partes después de desembalar parrilla, llame al 1-888-287-0735 para su sustitución.

Si falta o está danada alguna piezas, llame al 1-800-4-MY-HOME<sup>®</sup>, para su reposición.

**NOTA: Algunas de las piezas de la parrilla, ilustradas en los pasos de armado, pueden ser ligeramente diferentes a las de su modelo de parrilla. Sin embargo, el método de armado es el mismo.**

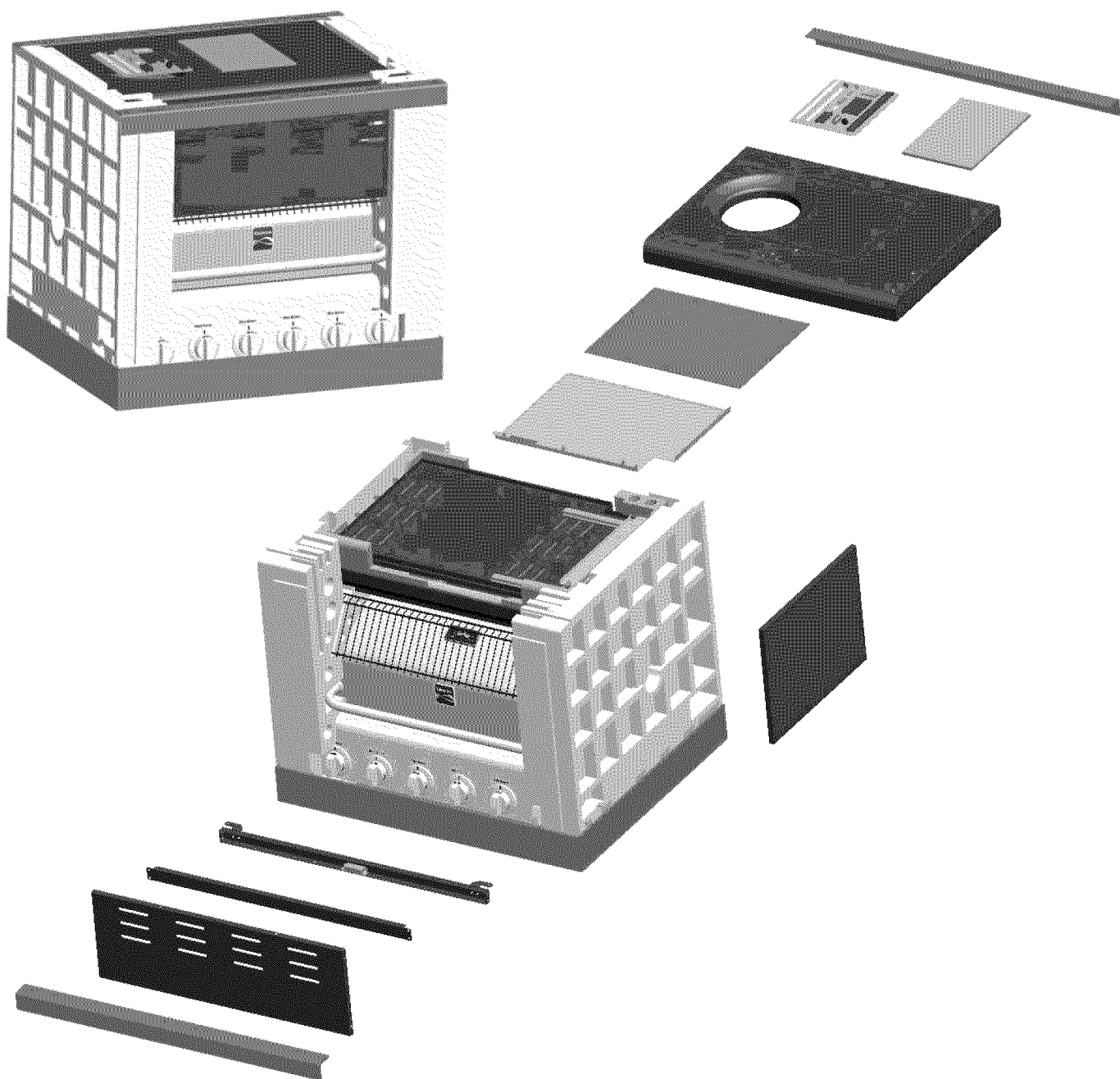
# DIAGRAMA



## ANTES DE LA ASAMBLEA

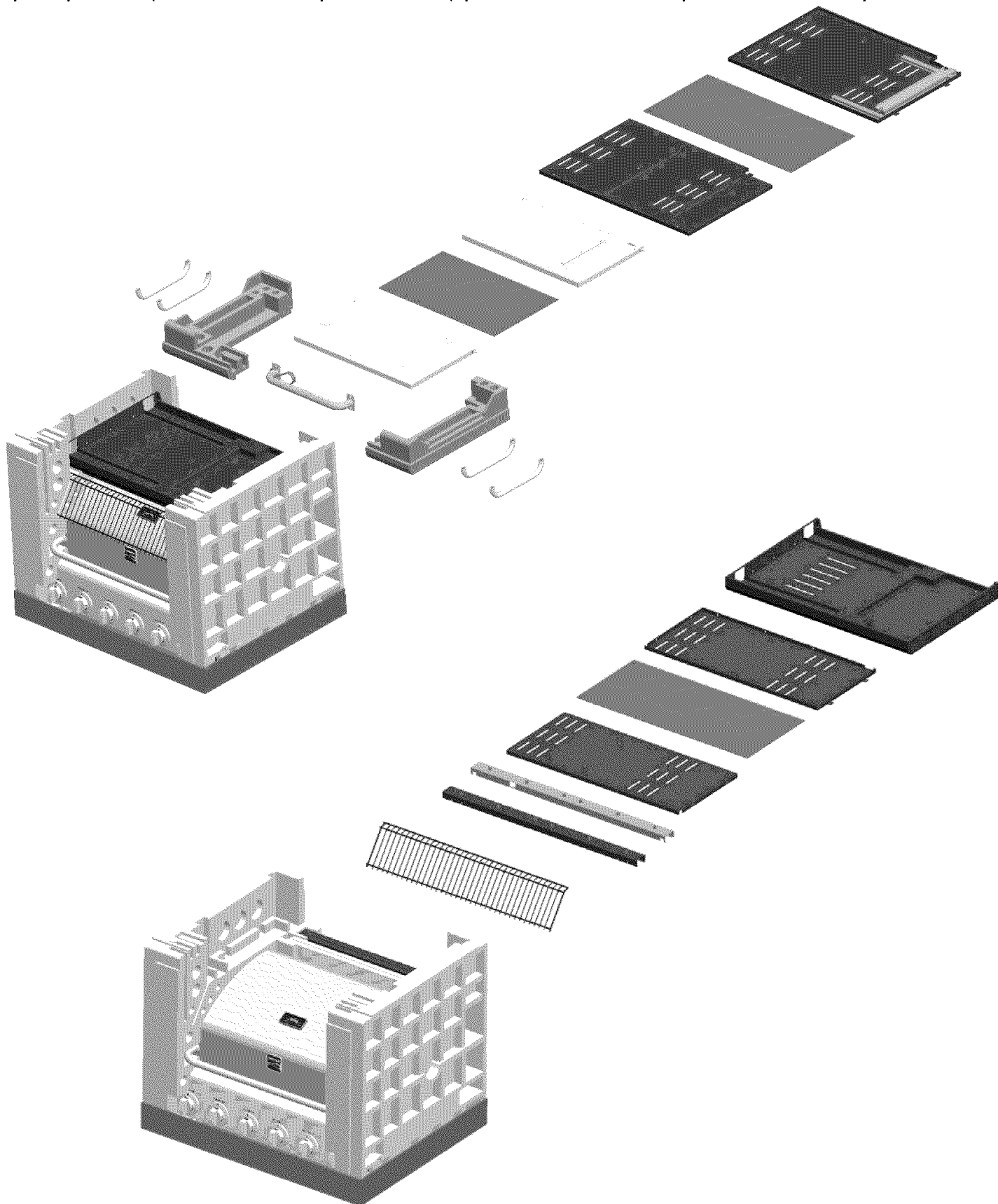
LEA Y SIGA LAS INSTRUCCIONES A CONTINUACIÓN PARA DESCOMPRIMIR CORRECTAMENTE LAS PIEZAS DE LA PARRILLA DE CAJA.

Paso 1: Una vez que se abre la parte superior de la caja de envío, corte hacia abajo sus cuatro bordes con un cúter. Sacar el paquete de Hardware, manual, inferior derecha estante y tanque protector de calor de arriba, también saca dejó estante gabinete de lado. A continuación, quite el soporte de la puerta, riel trasero y el panel posterior del frente. Retire todas las piezas de bolsas de plástico.



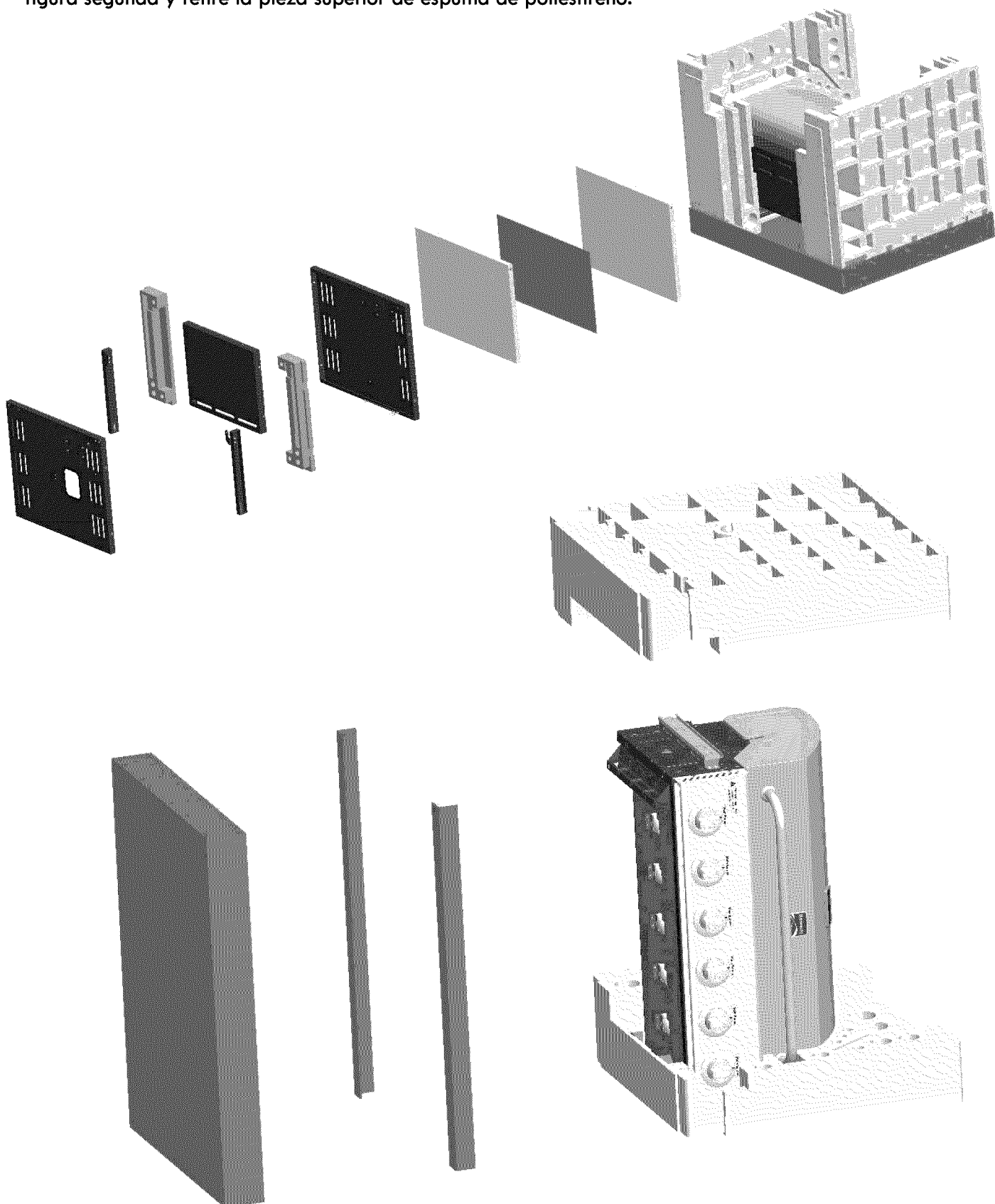
## ANTES DE LA ASAMBLEA

Paso 2: Seguir quitar el panel izquierdo del panel izquierdo del gabinete, derecho de la puerta derecha del armario, derecho, dejado la puerta, barra de empuje con ganchos y manijas de la puerta de arriba. A continuación, retire el estante inferior izquierda, dejó el panel y el panel derecho de gabinete principal, parte posterior y frontal inferior soportan barras y parrilla. Retire todas las piezas de bolsas de plástico.



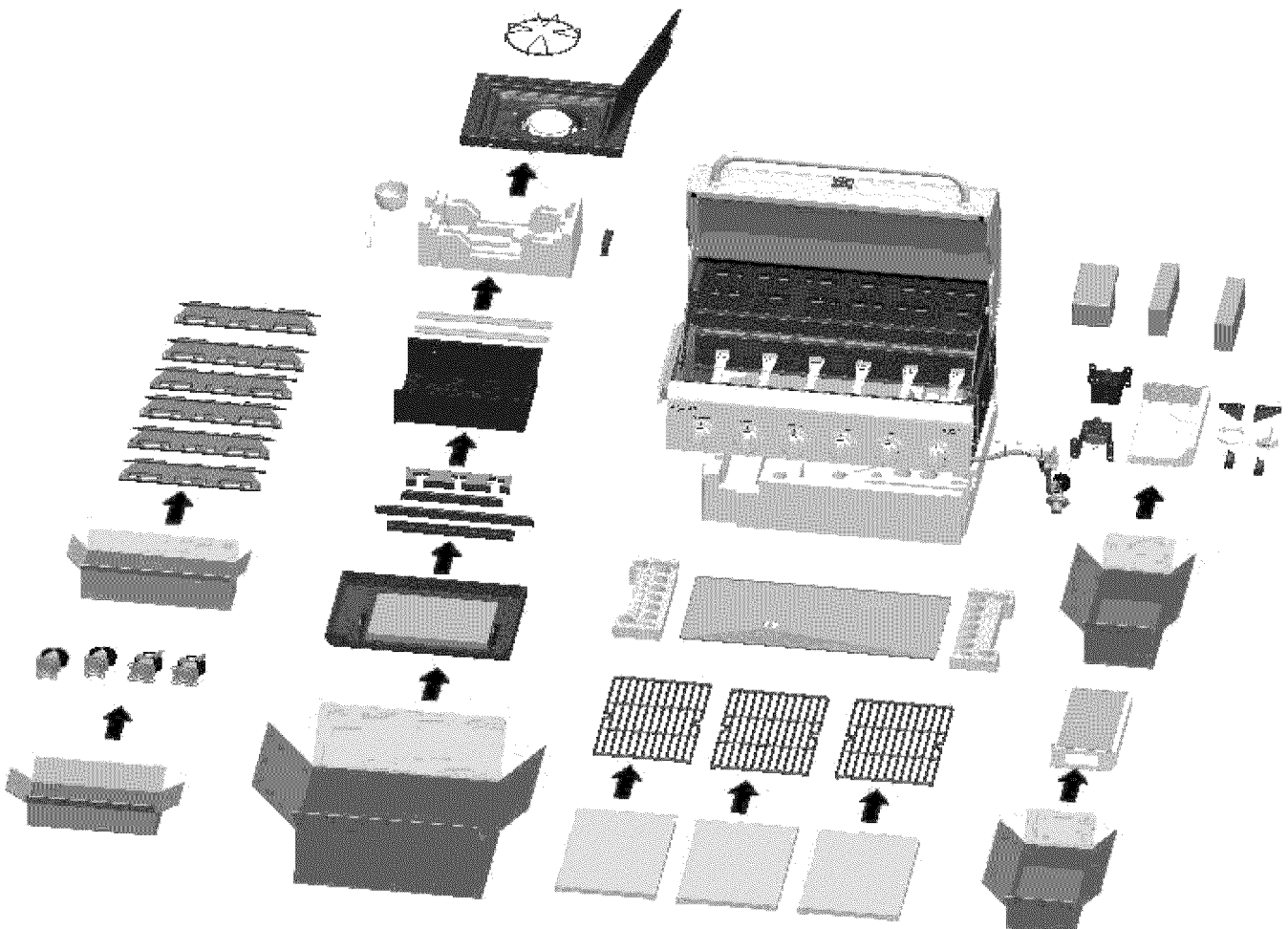
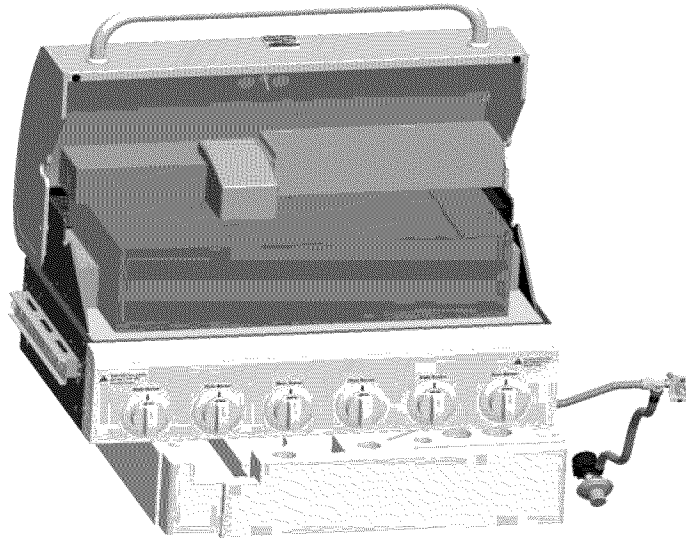
## ANTES DE LA ASAMBLEA

Paso 3: Quite el panel de la derecha de los principales soportes de la puerta del gabinete, de gabinetes de izquierda y derecho, dejando el panel del gabinete principal y puertas de gabinete principal de espalda. Con la ayuda de un asistente, voltee la cabeza de la parrilla en su lado como se muestra en la figura segunda y retire la pieza superior de espuma de poliestireno.



## ANTES DE LA ASAMBLEA

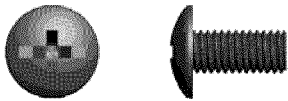
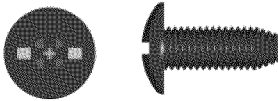

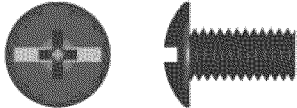


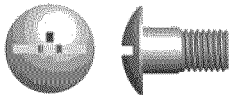
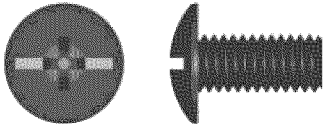
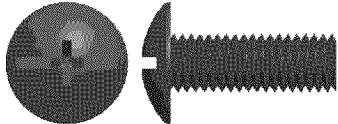

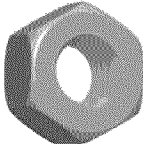

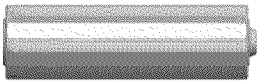
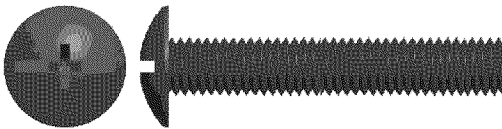
Paso 4: Con la ayuda de un asistente, levante la cabeza de la parrilla de la pieza de espuma de poliestireno de la parte inferior. Coloque en posición vertical sobre la otra pieza de espuma de poliestireno como se muestra en la primera figura. Abra la tapa de la parrilla y sacar las pequeñas cajas embaladas dentro de la cabeza de la parrilla. Retire todos los materiales de embalaje y saque todos los componentes de las cajas.



POR FAVOR LEA Y SIGA LAS INSTRUCCIONES CUIDADOSAMENTE PASO A PASO.

**Herramientas necesarias para el armado:**

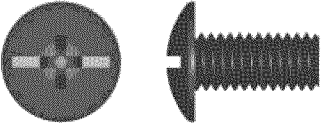
- Llave inglesa (que no viene incluida)
- Destornillador (que no viene incluida)
- Llave mixta de 7/16" (que no viene incluida) Mazo de goma
- El hardware siguiente se presenta en blister:

<p>Tornillos de M4X8 Cant: 4 us</p> 	<p>Tornillos de M4X10 Cant:104 us</p> 	<p>Tuerca M4 Cant: 4 us</p> 
<p>Tornillos de M5X10 Cant: 2 us</p> 	<p>Arandela plana M5 Cant: 2 us</p> 	<p>Pasador de chaveta Cant: 2 us</p> 
<p>Tornillos de M6X12 Cant: 2 us</p> 	<p>Tornillos de M6X13 Cant: 33 us</p> 	<p>Tornillos de M6X17 Cant:8 us</p> 
<p>Arandela de compresión M6 Cant: 8 us</p> 	<p>Tuerca M6 Cant: 5 us</p> 	<p>Arandela plana M6 Cant: 12 us</p> 
<p>Pila AA Cant: 2 us</p> 	<p>Tornillos de M6X40 Cant:12 us</p> 	

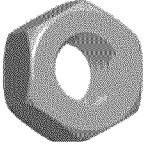
# 1

## Estante inferior

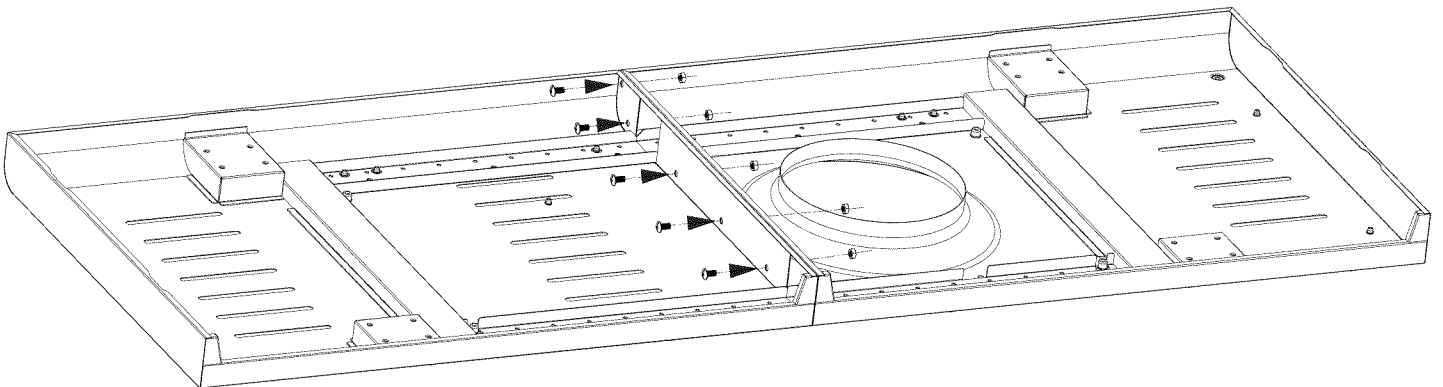
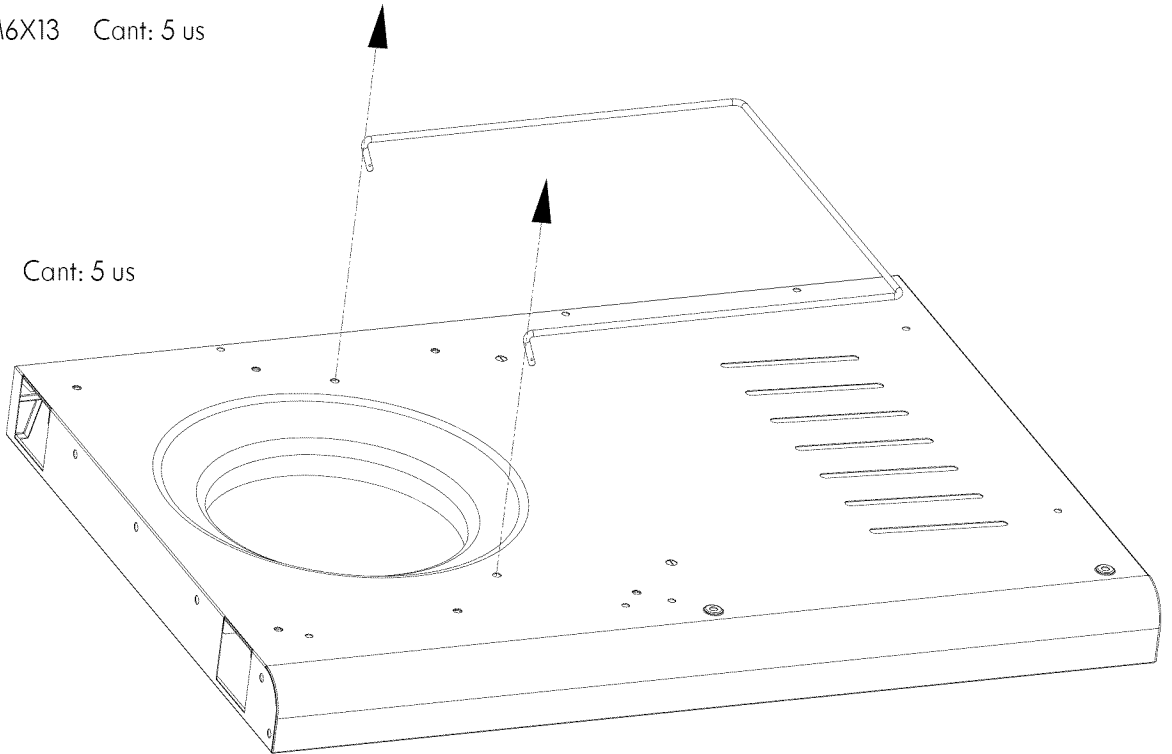
- Retire el soporte del depósito de estante inferior con el orificio del tanque.
- Invierta dos estantes inferiores. Alinee y conectarlos con (5) tornillos de M6x13 y tuercas M6 como se muestra. Apriete bien.



Tornillos de M6X13 Cant: 5 us



Tuercas M6 Cant: 5 us

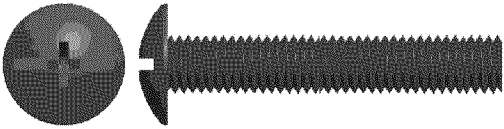


# 1

## Estante inferior (continúo)

**IMPORTANTE:** Verifique la posición de todas las partes en este paso antes de insertar y apretar los tornillos.

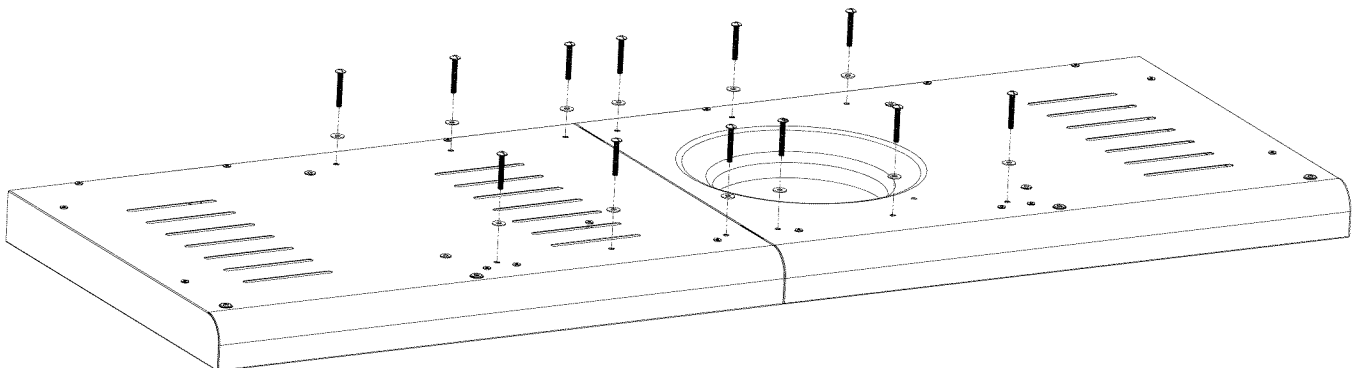
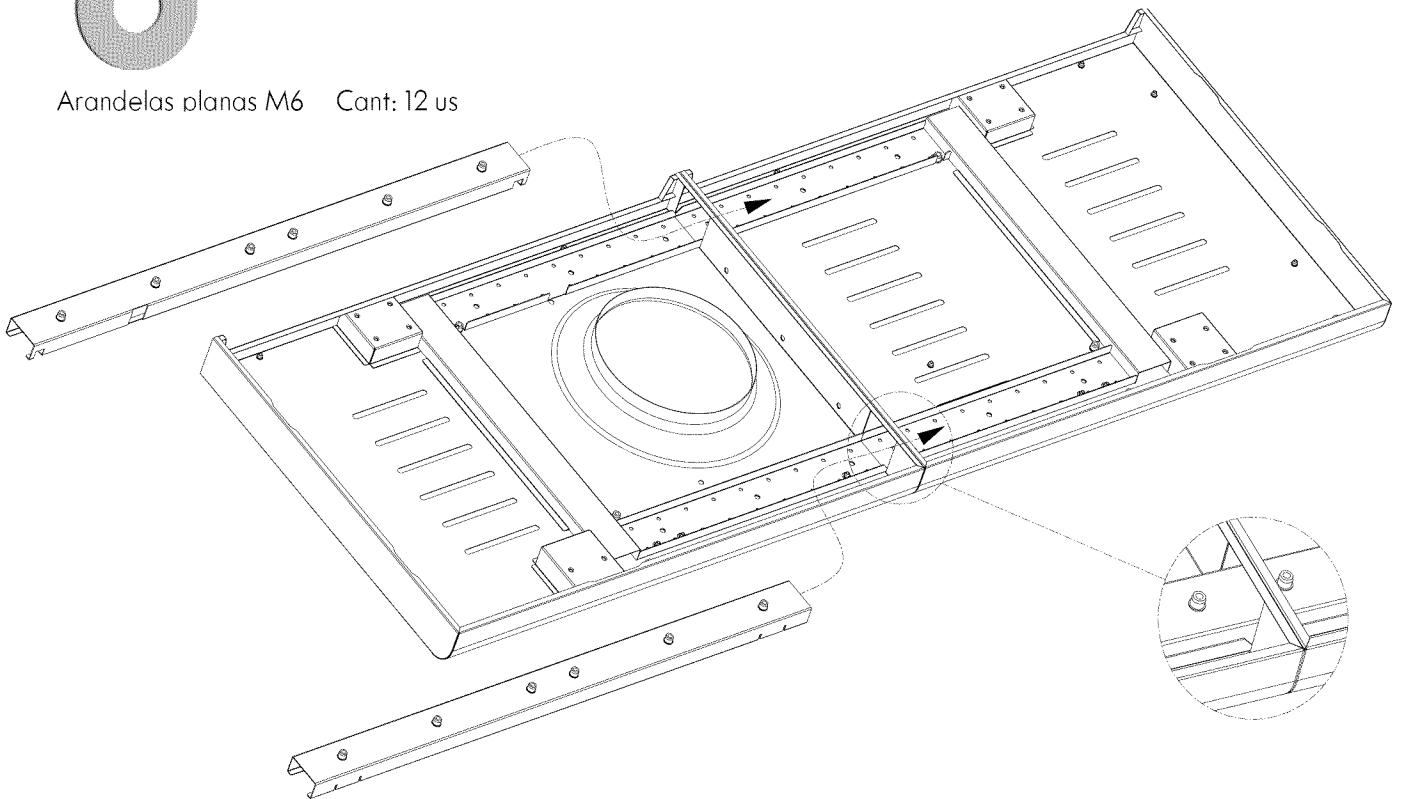
- Insertar las barras de soporte de estante dos inferior a través de los orificios cuadrados en medio del estante inferior como se muestra. Nota: Inserte la barra de apoyo con los recortes cuadrados en la parte posterior del estante inferior.
- Alinee los orificios de tornillo de barras con los agujeros en el estante inferior. Una vez en posición, empuje hacia abajo en las barras para el fondo de golpe.
- Voltee el estante hacia arriba y utilice (12) tornillos de M6x40 y arandelas planas M6 para conectar barras al estante.



Tornillos de M6x40 Cant: 12 us



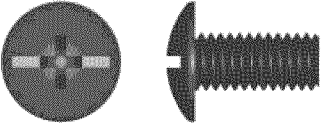
Arandelas planas M6 Cant: 12 us



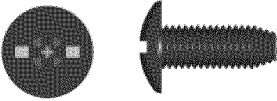
# 2

## Ruedas

- Vuelta estante inferior boca abajo. Fije las ruedas al estante inferior con **(16)** tornillos de **M6x13**. **IMPORTANTE:** Instale cada rueda en la posición correcta como se muestra en la figura siguiente.
- Vuelta estante derecho hacia arriba. Coloque los imanes de la puerta principal al estante con **(2)** tornillos de **M4x10**.

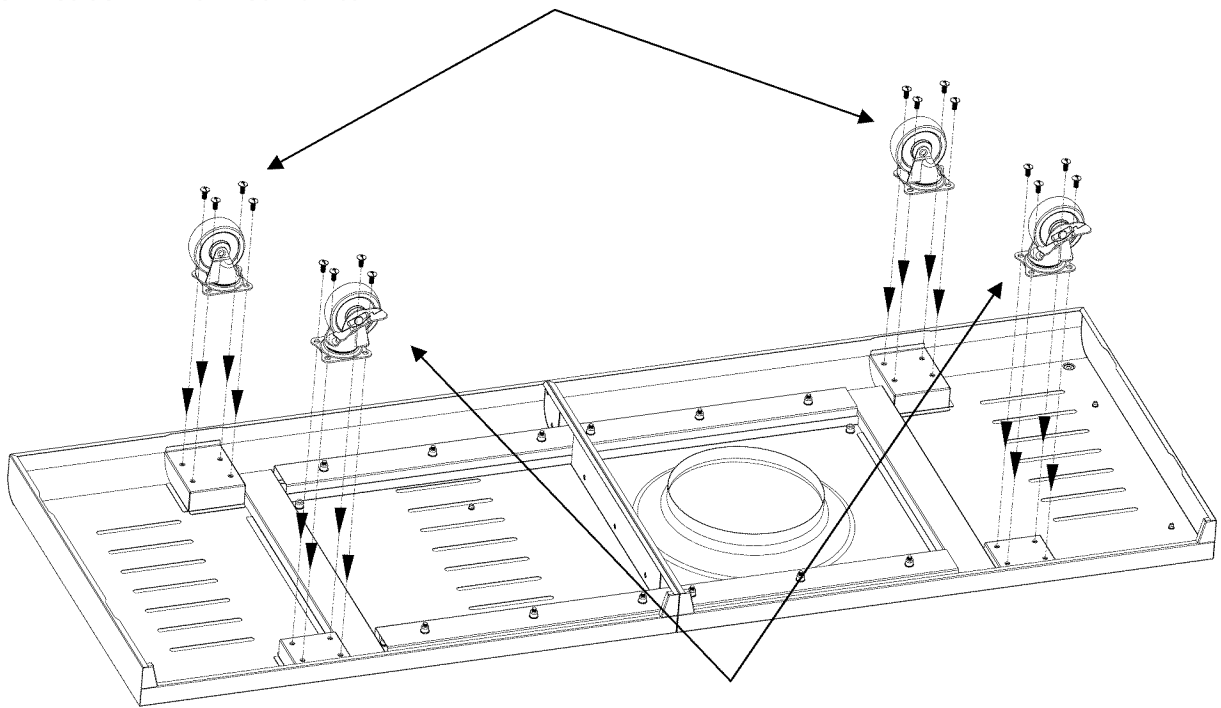


Tornillos de M6X13 Cant : 16 us

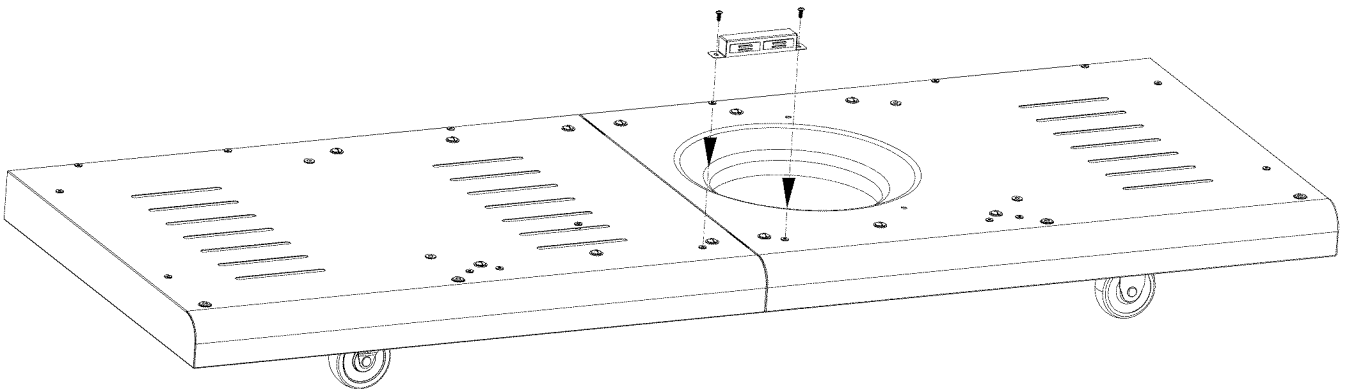


Tornillos de M4X10 Cant : 2 us

Rueda giratoria



Rueda giratoria con freno



# 3

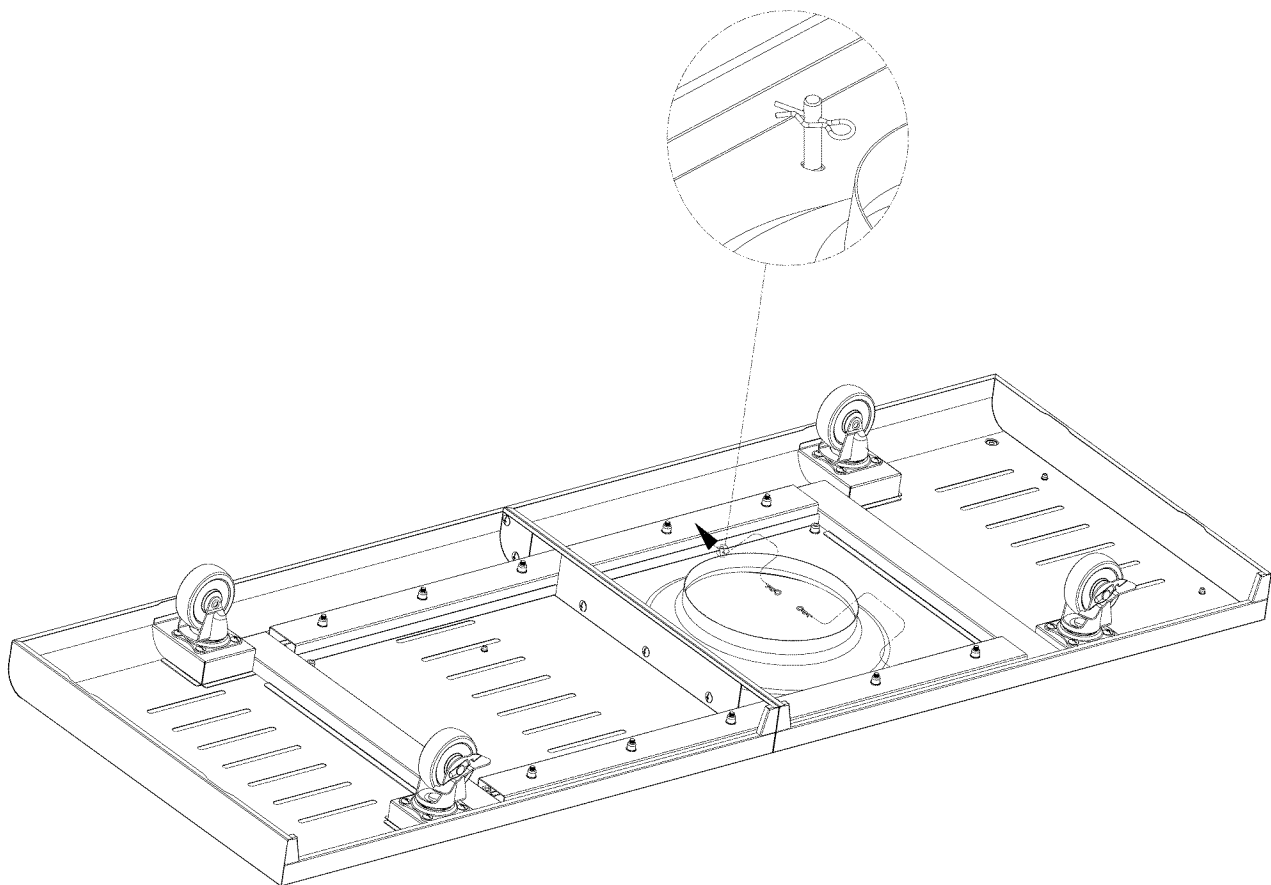
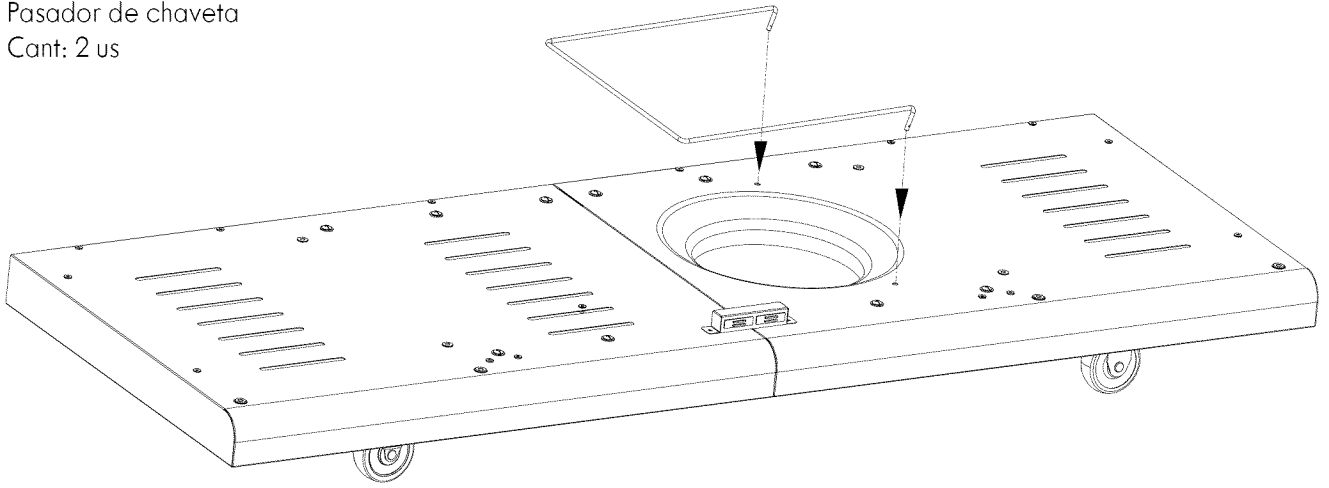
## Soporte del tanque

- Inserte los extremos del soporte de tanque en los agujeros en el estante inferior como se muestra.
- Voltee el estante y utilice (2) pasador de chaveta para asegurar los extremos debajo del estante.



Pasador de chaveta

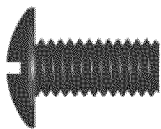
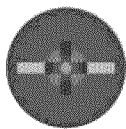
Cant: 2 us



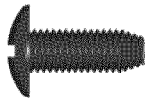
# 4

## Parrilla carro principal gabinete

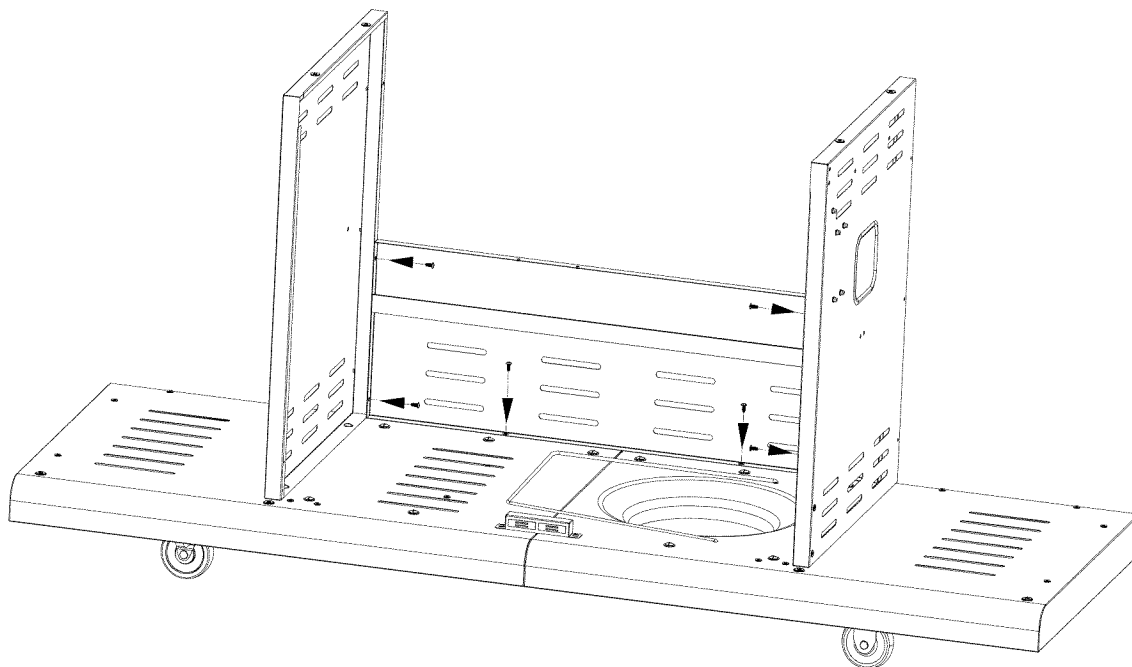
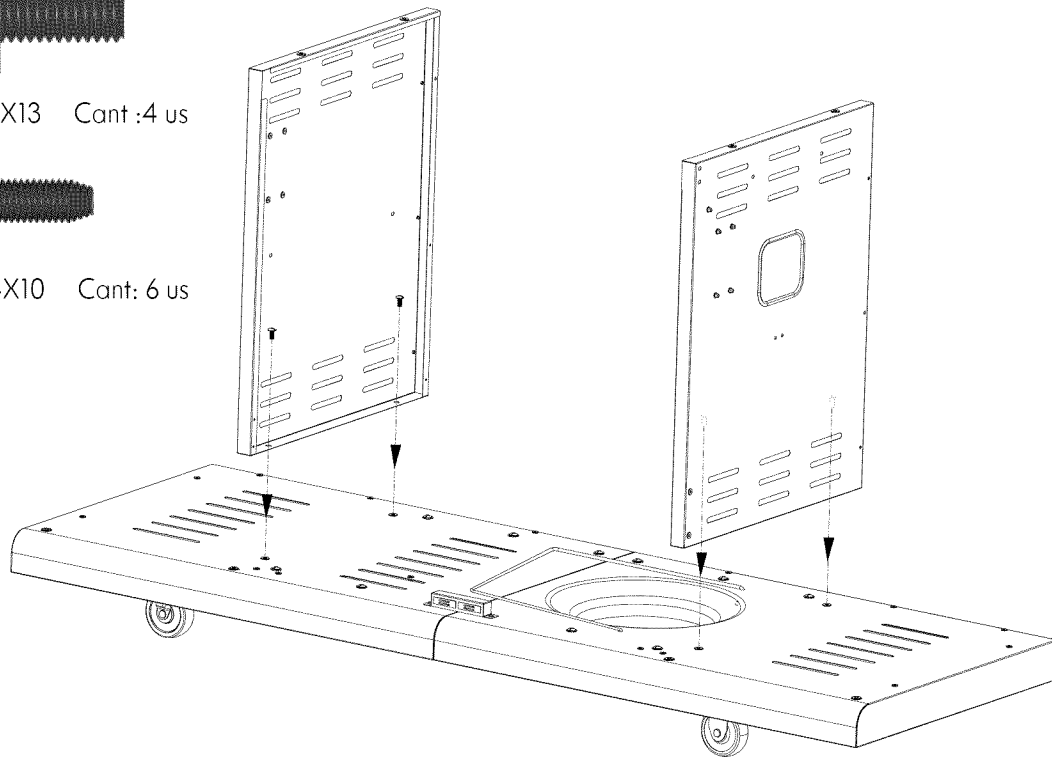
- Para fijar los paneles laterales gabinete principal, alinee los agujeros de la parte inferior de panel con agujeros en el estante inferior. Panel lateral derecho tiene un agujero cuadrado de corte como se muestra.
- Fije los paneles izquierdo y derecho para estante inferior con (4) tornillos de M6x13.
- Fije el panel posterior al fondo estante y los paneles laterales con (6) tornillos de M4x10.



Tornillos de M6X13 Cant :4 us



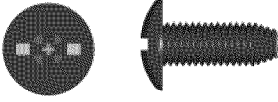
Tornillos de M4X10 Cant: 6 us



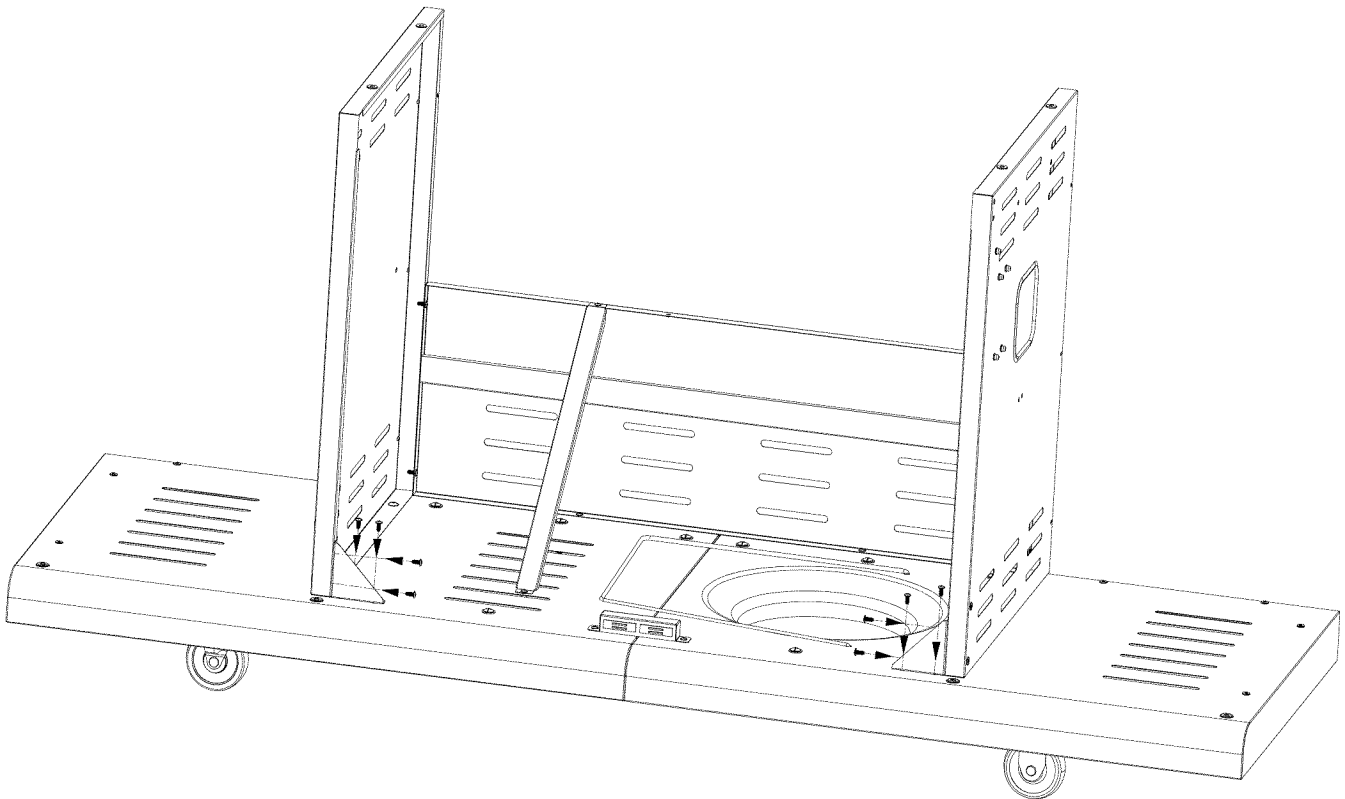
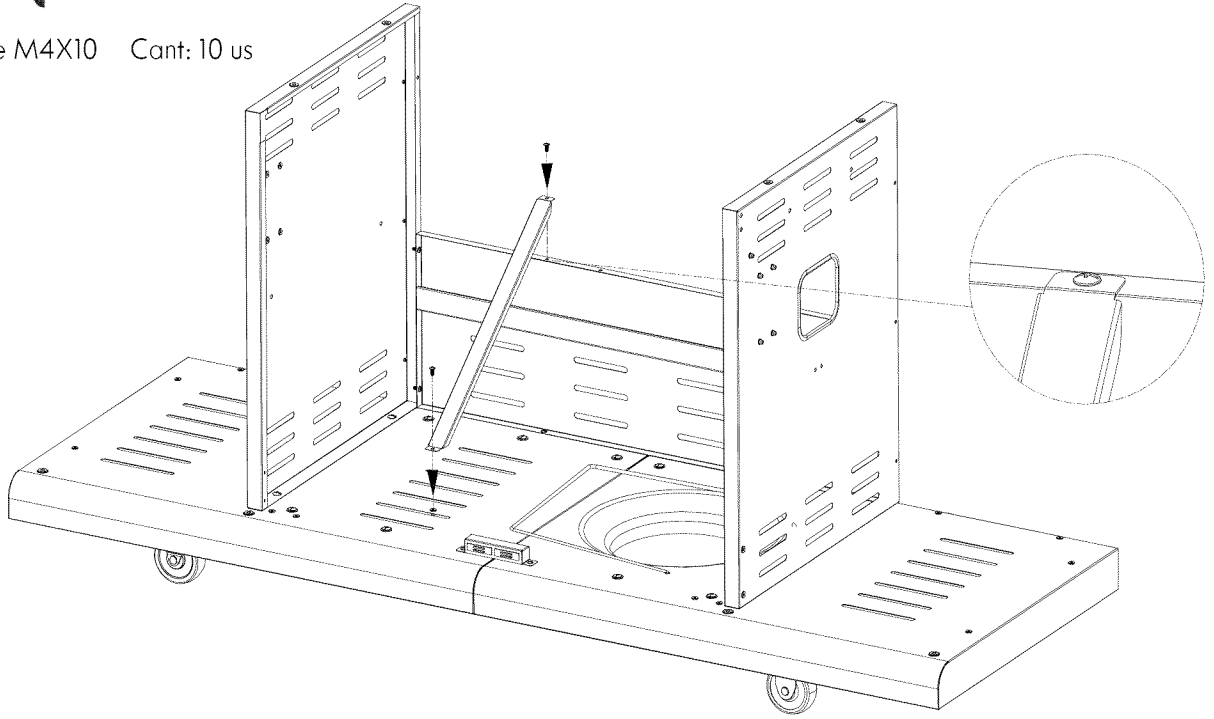
# 4

## Parrilla carro principal gabinete ( continuó)

- Ate la deflectora barra tanque hacia atrás estante panel e inferior con (2) tornillos de M4x10.
- Alinee los agujeros en las barras de ángulo de soporte de carro con agujeros en los paneles de estante y el lado inferior. Fije las barras de ángulo con (8) tornillos de M4x10.



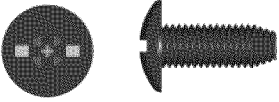
Tornillos de M4X10 Cant: 10 us



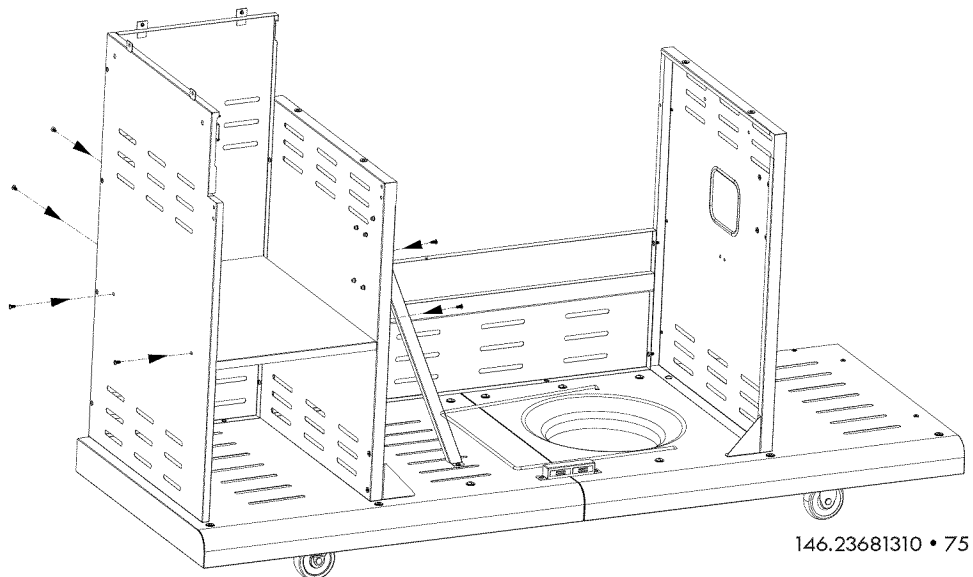
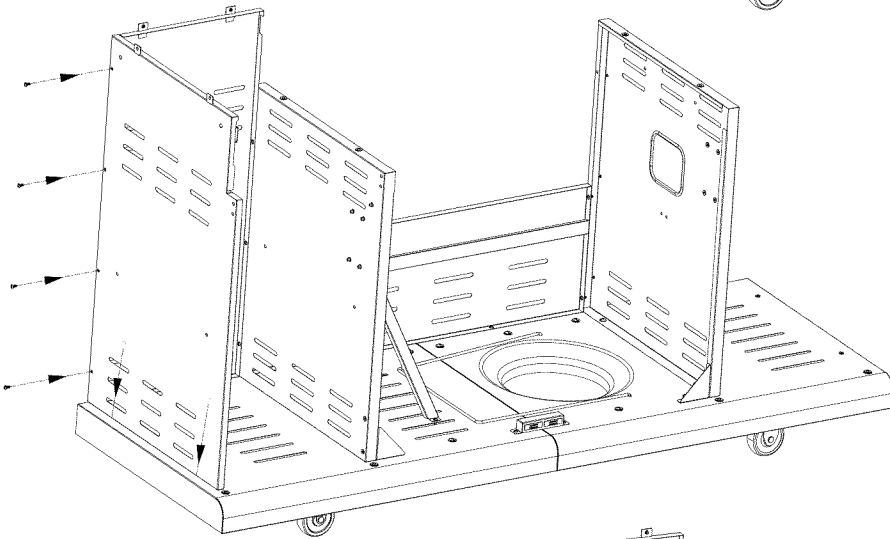
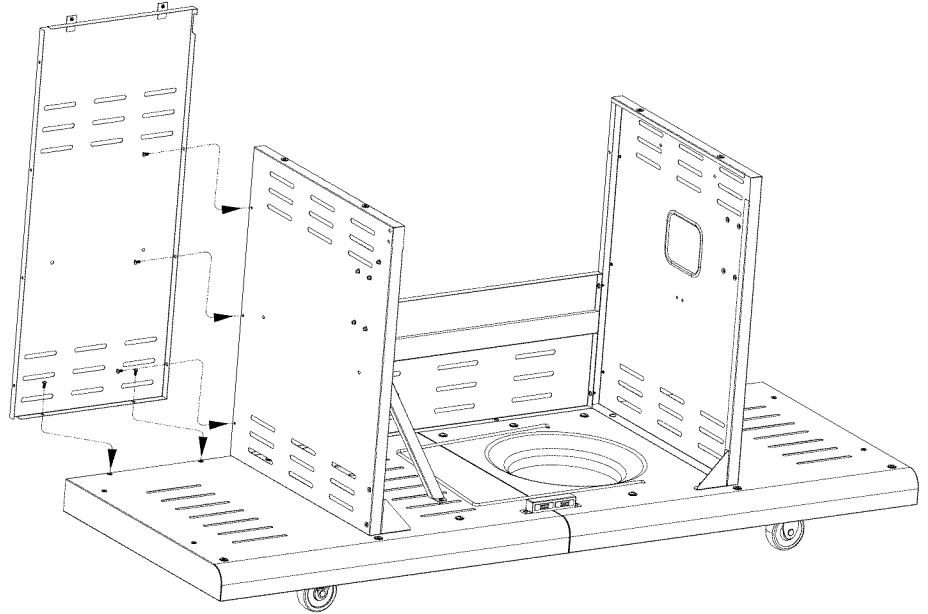
# 5

## Parrilla carro gabinete izquierdo

- Conecte el panel trasero de la izquierda del armario estante inferior y principal panel izquierdo del gabinete con los **(5) tornillos de M4x10**. Nota: El panel trasero del gabinete izquierdo tiene dos orificios en medio.
- Ajuste nuevo borde de panel exterior del gabinete izquierdo sobre el panel trasero del gabinete izquierdo. Fije el panel exterior del gabinete izquierdo para estante inferior y la izquierda trasera gabinete con los **(6) tornillos de M4x10**. Nota: El panel exterior del gabinete izquierdo tiene cajón en la parte superior.
- Insertar dejó el estante gabinete en su lugar y seguros con **(6) tornillos de M4x10** como se muestra.



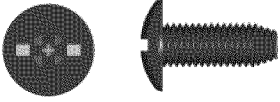
Tornillos de M4X10 Cant: 17 us



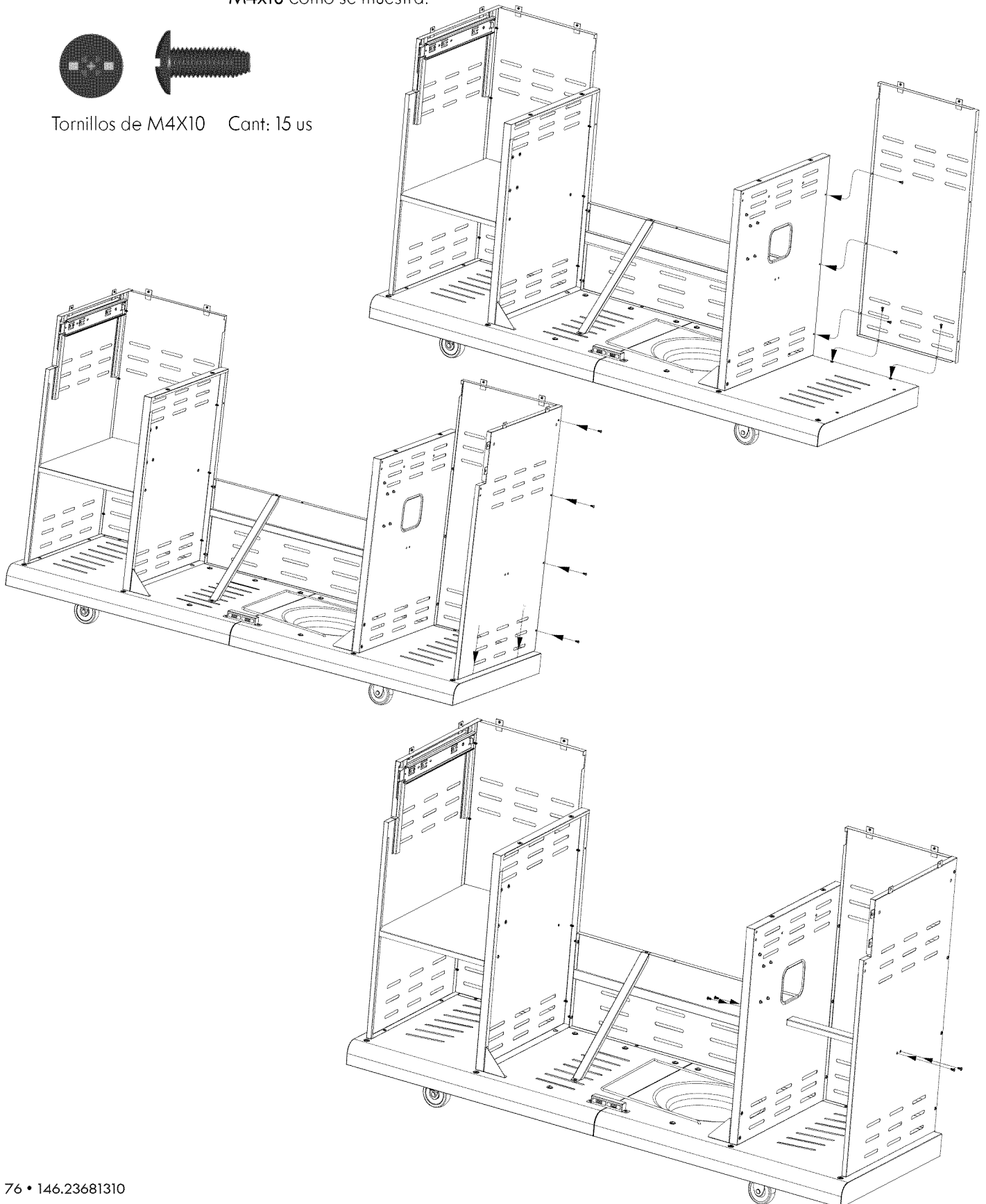
# 6

## Parrilla carro gabinete derecho

- Conecte el panel trasero del gabinete estante inferior y principal panel derecho del gabinete con los **(5) tornillos de M4x10**.
- Ajuste nuevo borde de panel exterior derecho del gabinete sobre la parte trasera derecha del gabinete. Fije el panel exterior derecho del gabinete a estante inferior y trasera derecha del gabinete con **(6) tornillos de M4x10**.
- Inserte deflector tanque derecho del gabinete en su lugar y asegúrelo con **(4) tornillos de M4x10** como se muestra.



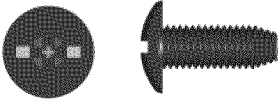
Tornillos de M4X10 Cant: 15 us



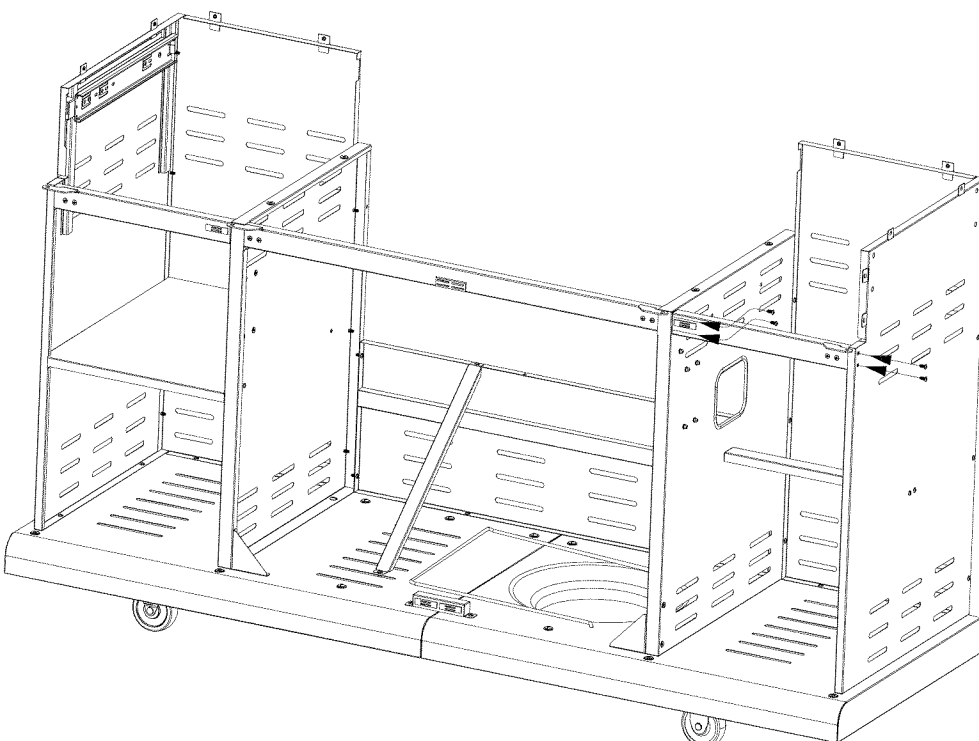
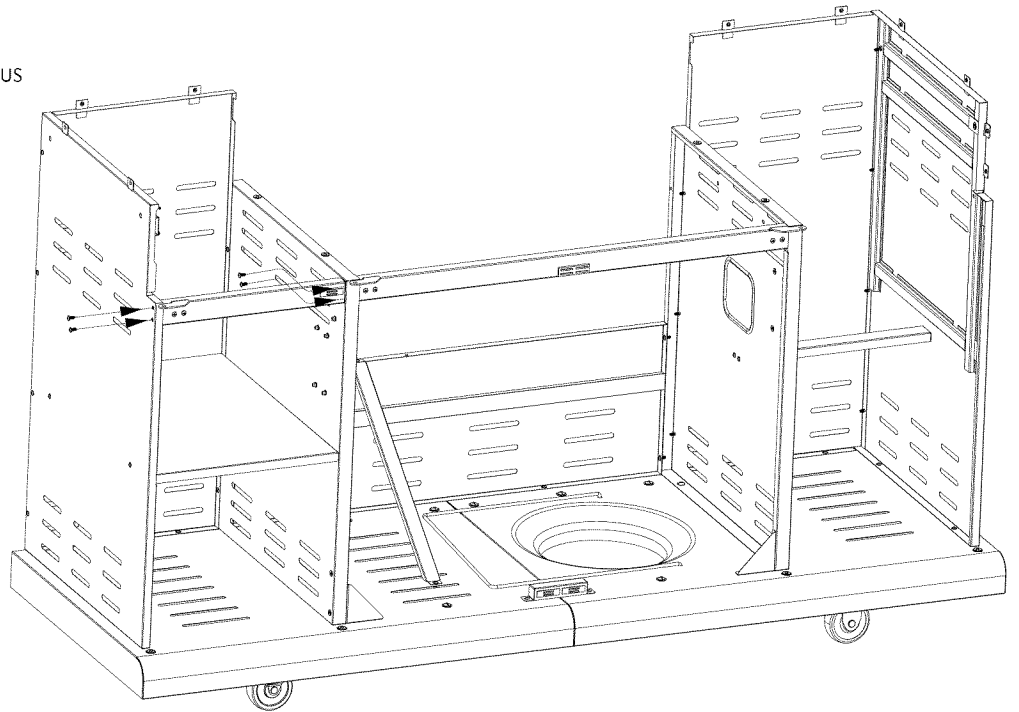
# 7

## Soportes de la puerta

- Inserte el soporte principal de la puerta en su lugar entre los paneles laterales gabinete principal como se muestra. Nota: Asegúrese de colocar el soporte con imanes en la parte inferior.
- Use (2) tornillos de M4x10 para sujetar el extremo de la bisagra del soporte izquierdo de la puerta izquierda panel exterior del gabinete. Utilice (2) tornillos de M4x10 para sujetar el extremo de imán de soporte a través del panel gabinete principal en el soporte de la puerta principal.
- Use (2) tornillos de M4x10 para sujetar el extremo de la bisagra del soporte derecho de la puerta al panel exterior derecho del gabinete. Utilice (2) tornillos de M4x10 para fijar el extremo del imán de soporte a través del panel gabinete principal a bracket.



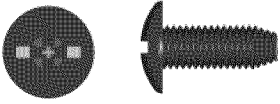
Tornillos de M4X10 Cant : 8 us



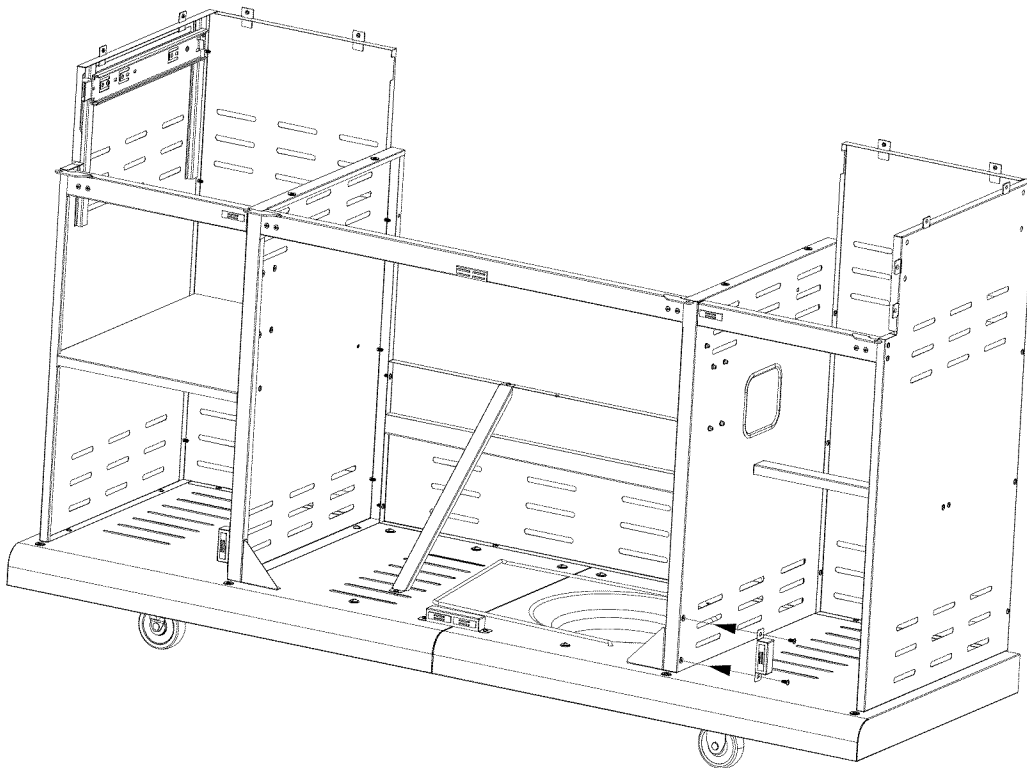
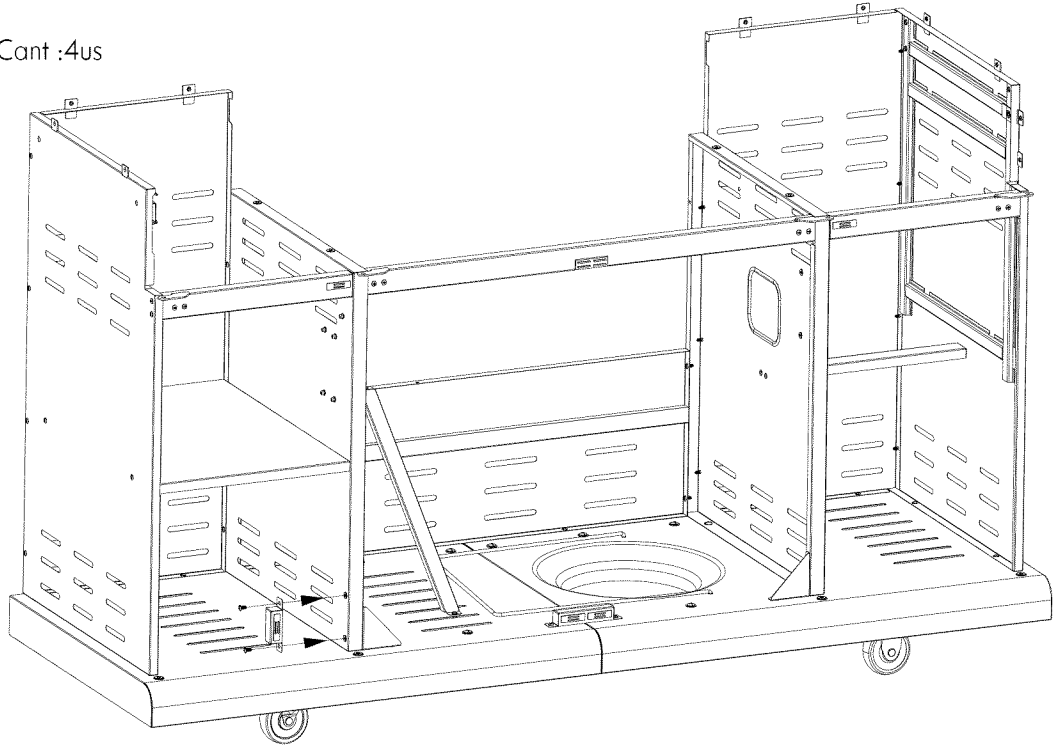
# 8

## Magnets de puerta de gabinete lateral

- Fije dejó imanes de la puerta gabinete al panel lateral gabinete principal con (2) tornillos de M4x10.
- Fije los imanes de la derecha de la puerta al panel lateral gabinete principal con (2) tornillos de M4x10.



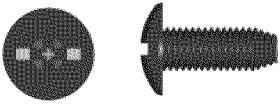
Tornillos de M4X10 Cant :4us



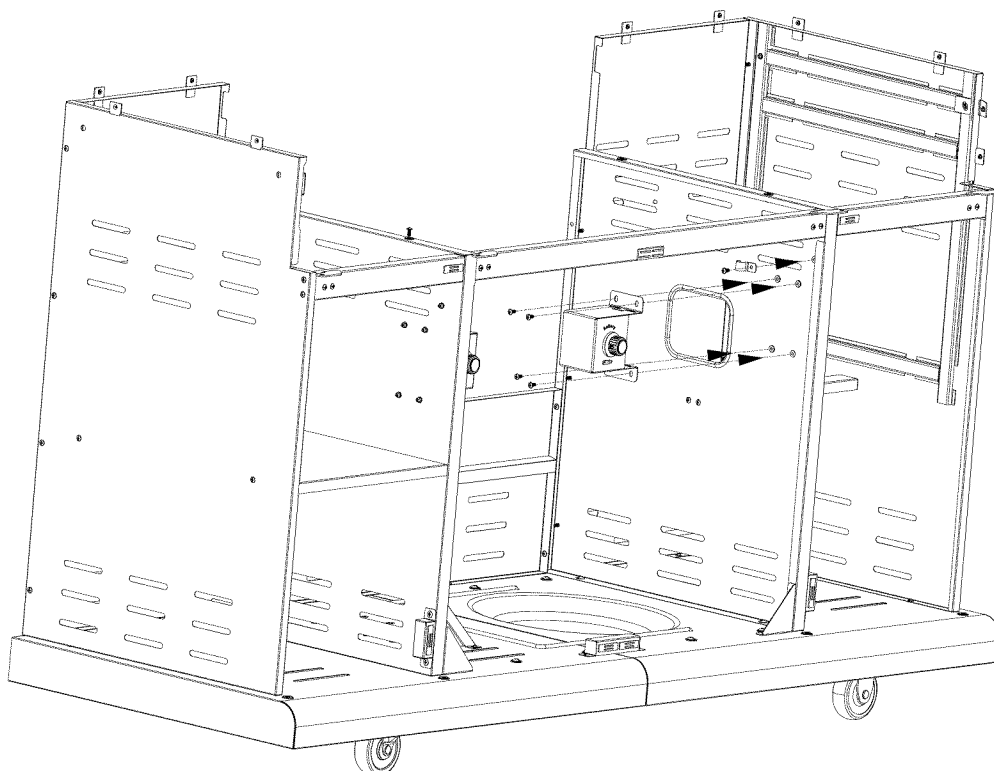
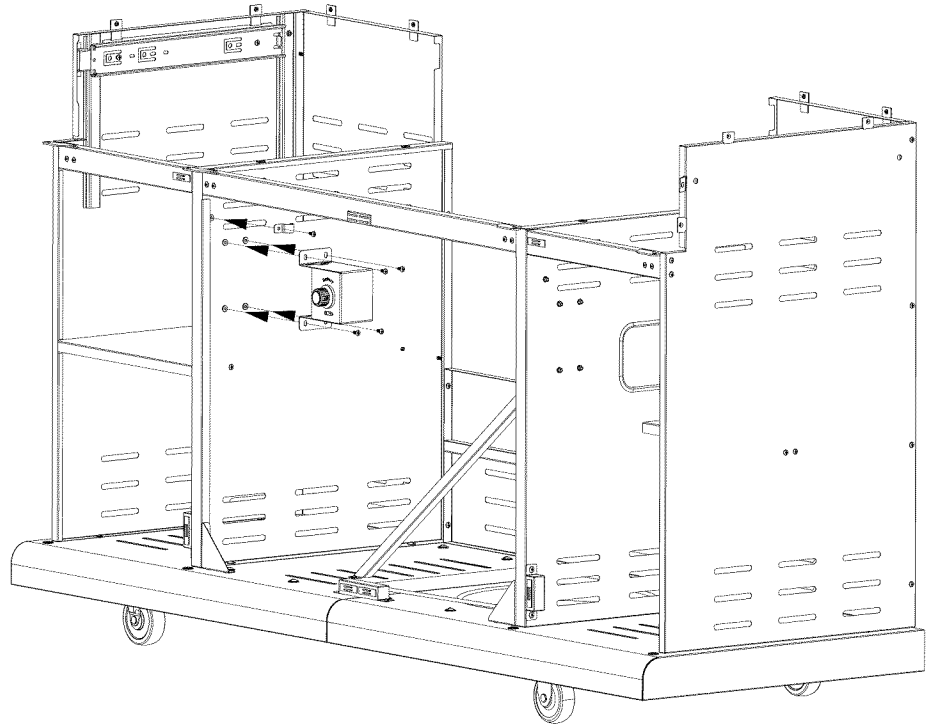
# 9

## Módulos de ignición

- Fije la caja de módulo de encendido izquierdo al panel izquierdo del gabinete principal con (4) tornillos de M4x10. También una clip de alambre de ignición al panel con (1) tornillo M4x10 como se muestra.
- Fije la caja de módulo de encendido derecho al panel derecho del gabinete principal con (4) tornillos de M4x10. También una clip de alambre de ignición al panel con (1) tornillo de M4x10 como se muestra.



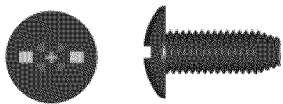
Tornillos de M4X10 Cant :10 us



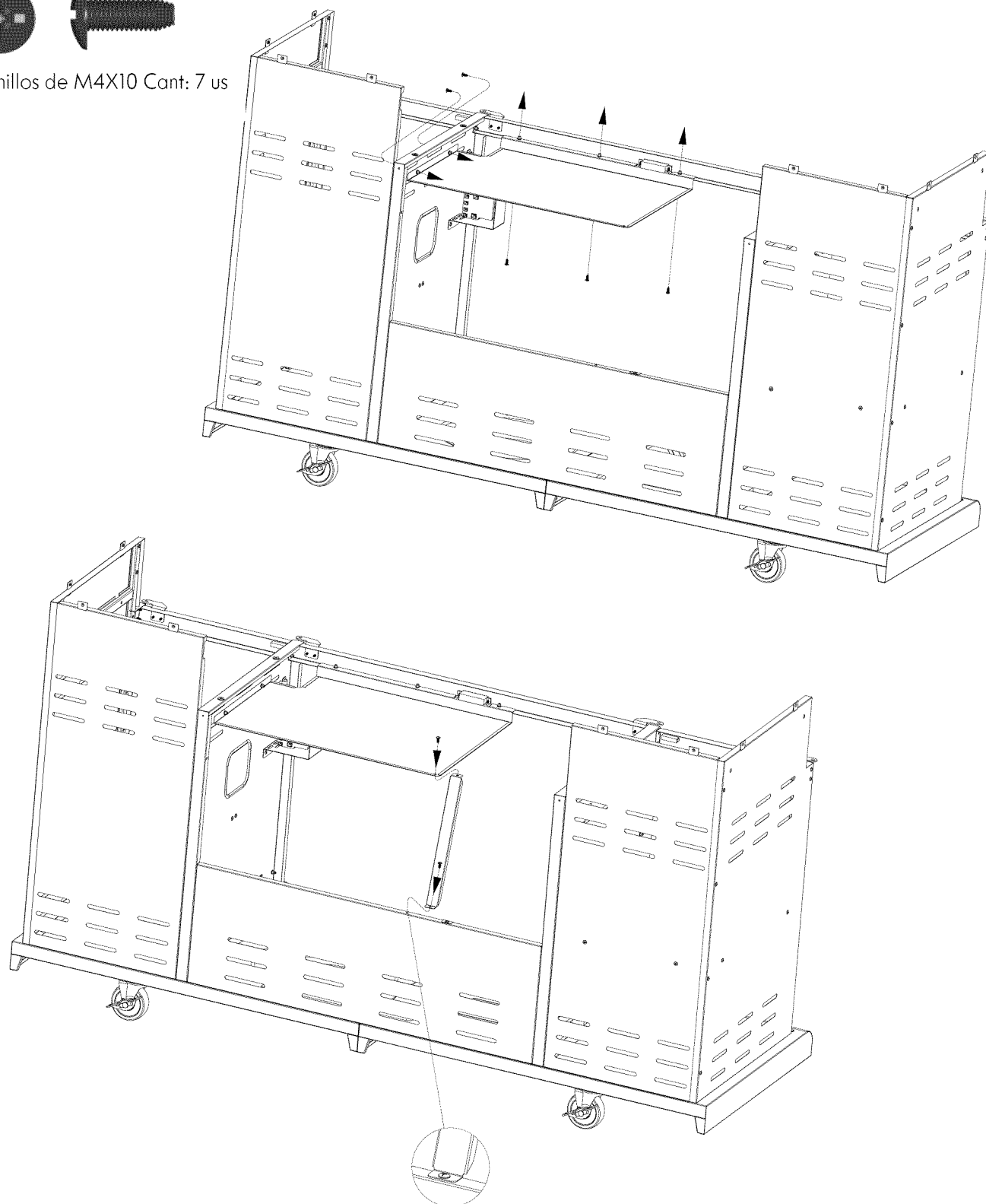
# 10

## Panel de aislamiento de calor

- Fije el panel de aislamiento de calor a puerta soporte y lado derecho del panel con los (5) tornillos de M4x10.
- Fije el soporte del panel de aislamiento térmico para el panel del aislamiento de calor y nuevo panel con (2) tornillos de M4x10 como se muestra.



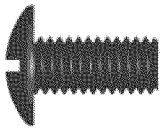
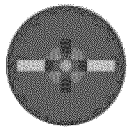
Tornillos de M4X10 Cant: 7 us



# 11

## Cabeza al carro de la parrilla

- Este paso requiere dos personas levantar y colocar la cabeza de la parrilla en el carro.
- Si no lo ha hecho, retire abrazaderas de sujeción de la manguera del regulador y los cables de encendido en la parte inferior de la cabeza de la parrilla. Tire de la manguera al lado del gabinete principal.
- Cuidadosamente baje la cabeza de la parrilla en el carro. Asegúrese de que la manguera del regulador se cuelga fuera de la principal gabinete y en el gabinete de derecho. Caída de cables de encendido izquierdo directamente en el gabinete principal. Los cables de encendido del lado derecho deben pasar por la abertura en el panel de aislamiento de calor para colgar en el gabinete principal. Ver figura A.
- Abra la tapa y coloque dentro de las esquinas de la cabeza de la parrilla al carro con (4) tornillos de M6x13 y arandelas de compresión M6. Ver figura B.
- Fije riel posterior a la parte posterior de la cabeza de la parrilla y carro con (4) tornillos de M4x10 como se muestra.



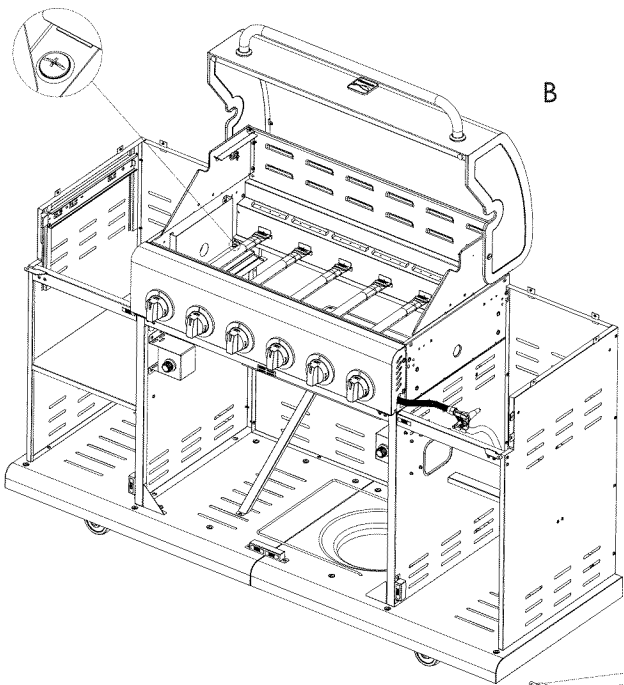
Tornillos de M6X13 Cant :4us



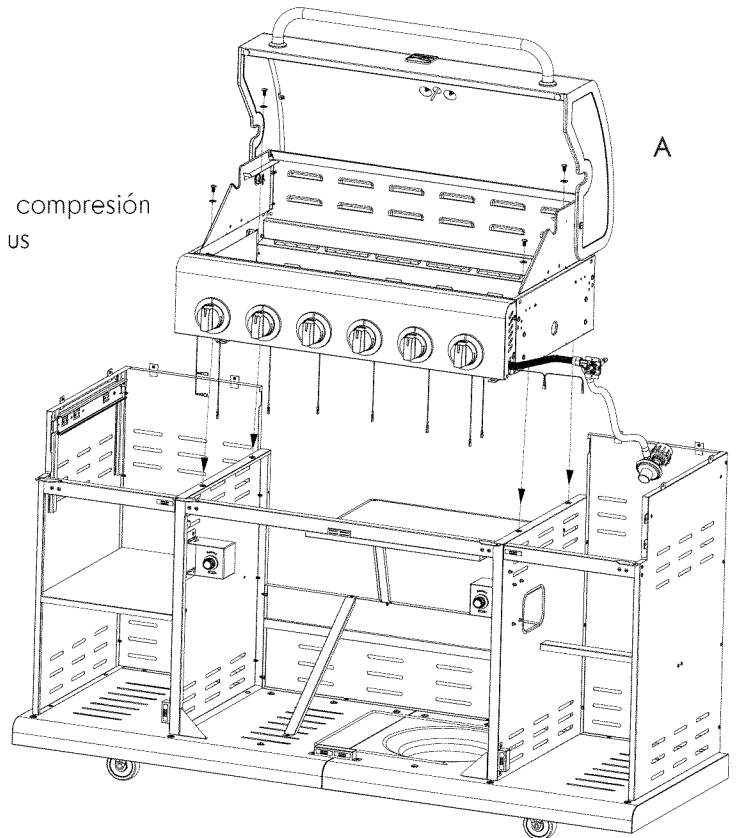
Arandelas de compresión M6 Cant : 4 us



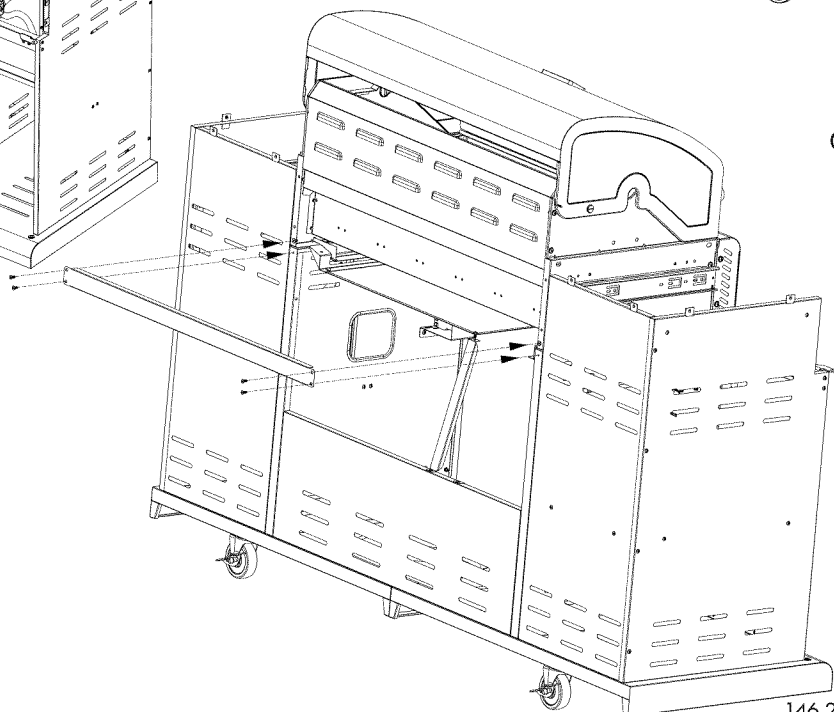
Tornillos de M4X10 Cant :4us



B



A

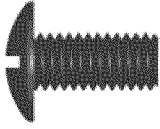
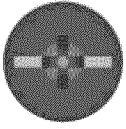


C

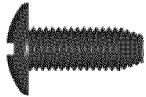
# 12

## Estante del lado izquierdo

- Coloque la repisa lateral izquierdo en la parte superior izquierda del gabinete como se muestra en A.
- Fije la repisa de la parrilla con (2) tornillos de M6x13 y M6 arandelas de compresión del interior de la cámara de combustión como se muestra B.
- Fije la repisa a la izquierda del gabinete con (4) tornillos de M4x10 como se muestra C.



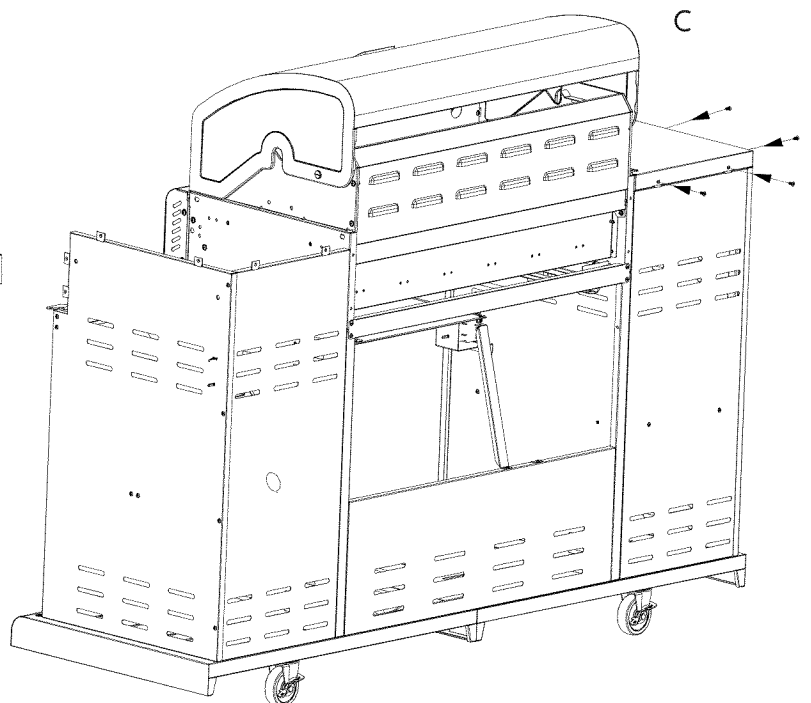
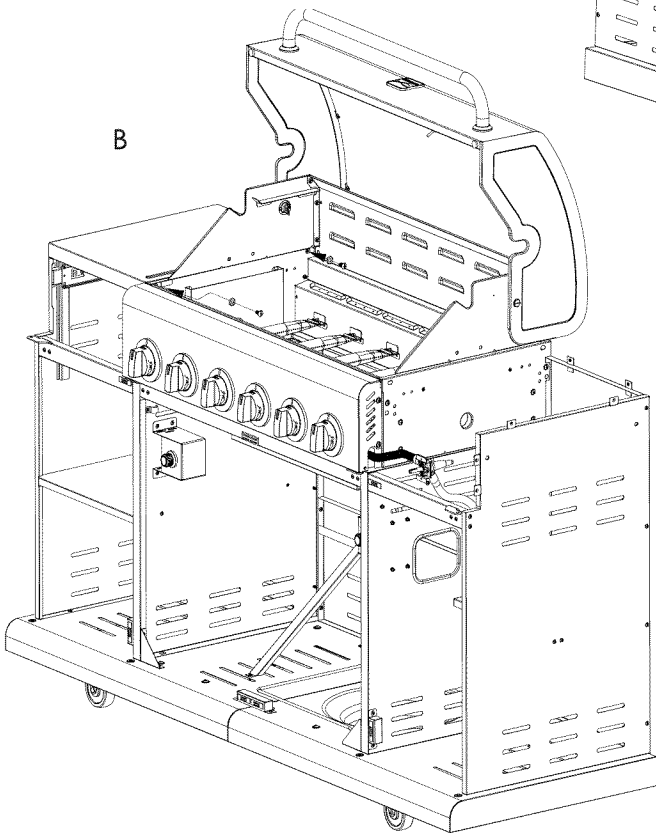
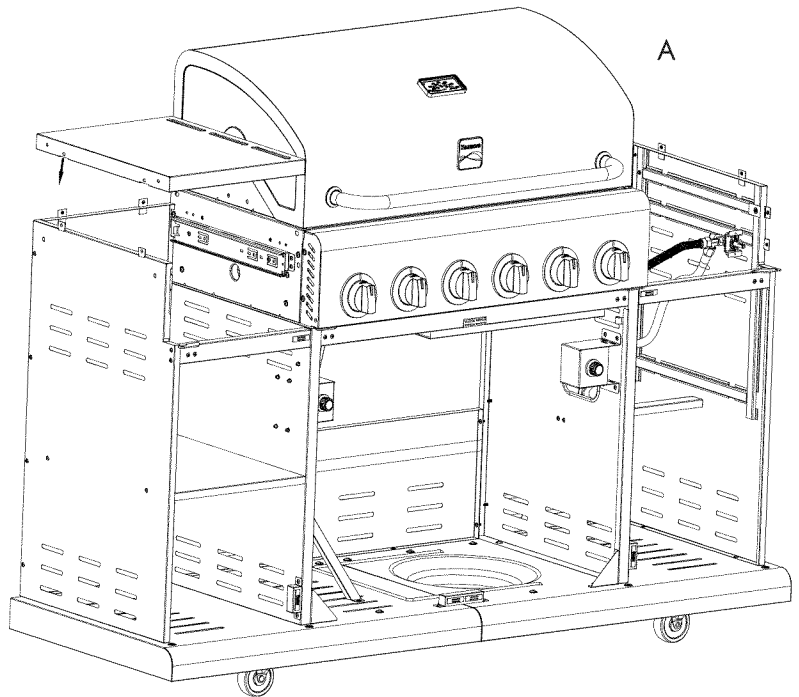
Tornillos de M6x13 Cant: 2 us



Tornillos de M4X10 Cant: 4 us



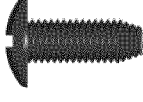
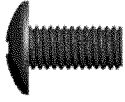
M6 arandelas de compresión Cant: 2 us



# 13

## Cajón

- Fije las barras de deslizamiento a los lados del cajón con (4) tornillos de M4x8 y tuercas M4 como se muestra A.
- Instale cajón frontal con (7) tornillos de M4x10 como se muestra B.
- Tire de las dos guías gabinete (C) hacia afuera. Insertar barras de laterales de cajón en el gabinete. Deslice las barras y empuje el cajón completamente en.

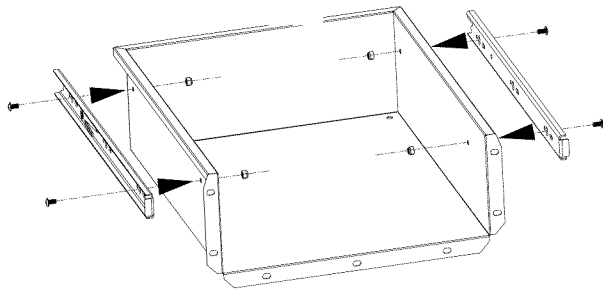
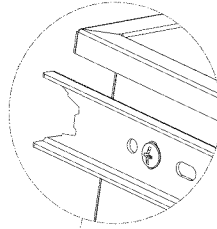


Tornillos de M4X8  
Cant : 4 us

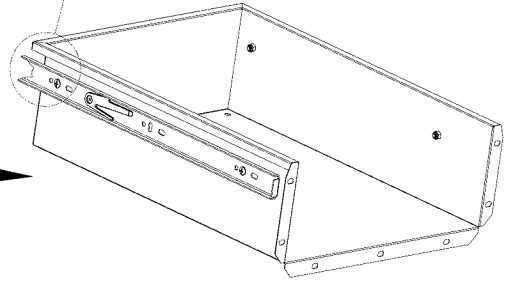
Tornillos de M4X10  
Cant : 7 us



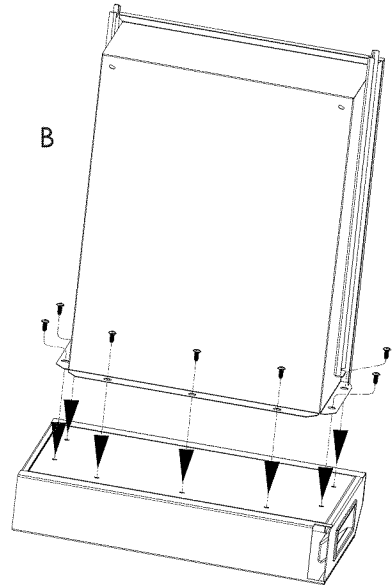
Tuercas M4 Cant: 4 us



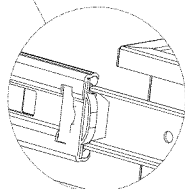
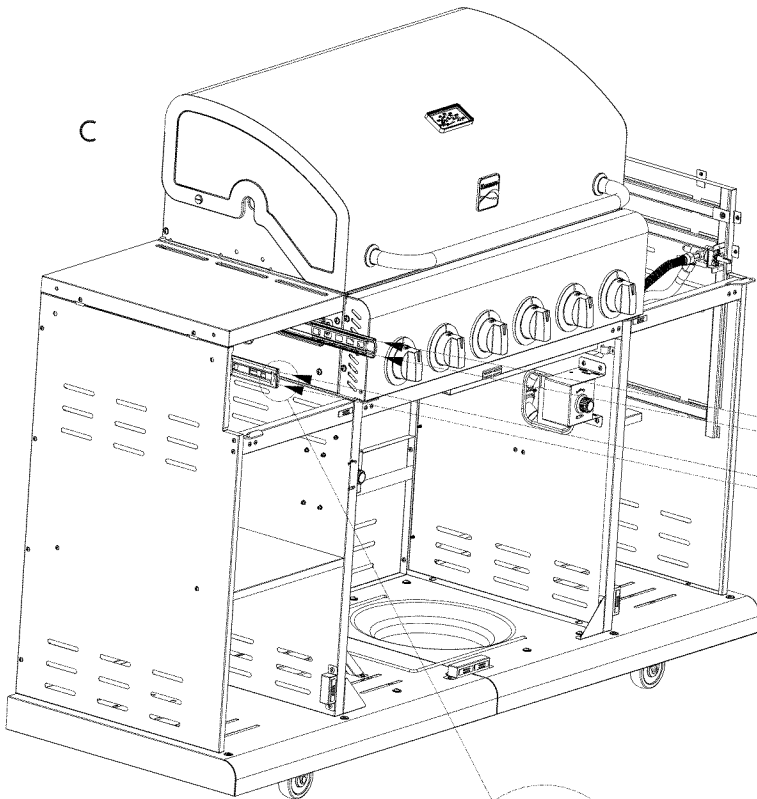
A



B



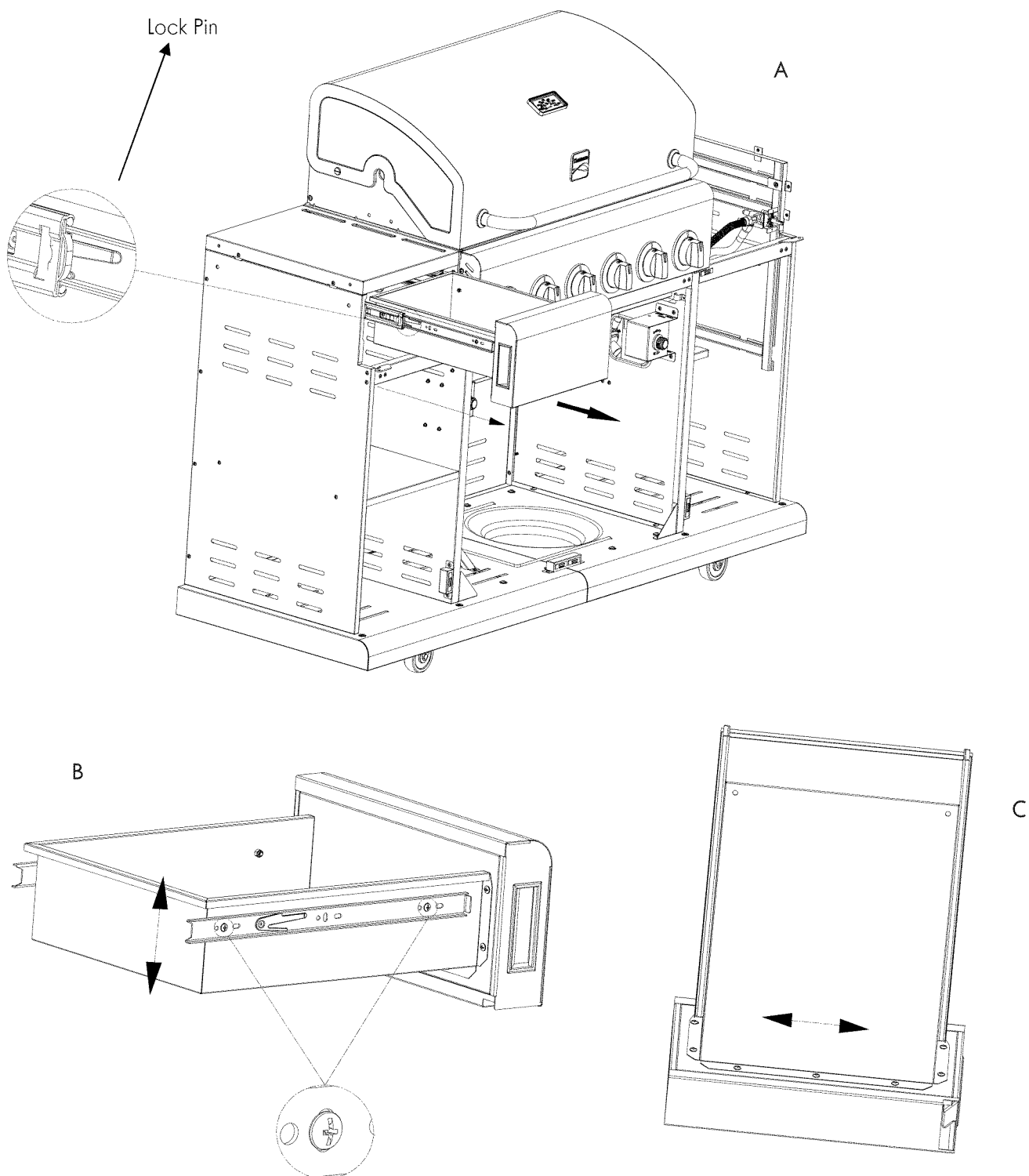
C



# 13

## Cajón (continuó)

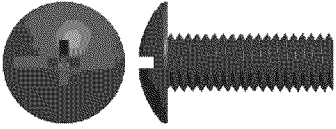
- Si el panel frontal del cajón no está perfectamente alineada con el gabinete, el cajón desmontable y ajustado. Para retirar, deslice el cajón completamente. Empuje hacia abajo el pasador del lado izquierdo cajón deslizante y tire hacia arriba el pasador del lado derecho cajón deslizante. Abra el cajón libre de dispositivos gabinete. Véase A.
- Para ajustar la alineación vertical, afloje la parte delantera o trasera cajón Deslice los sujetadores. Ajuste la posición del cajón y vuelva a apretar los tornillos. Véase B.
- Para ajustar la alineación horizontal, afloje los tornillos que sujetan el panel frontal a los lados y cambiar la posición del panel. Vuelva a apretar los tornillos. Véase C.



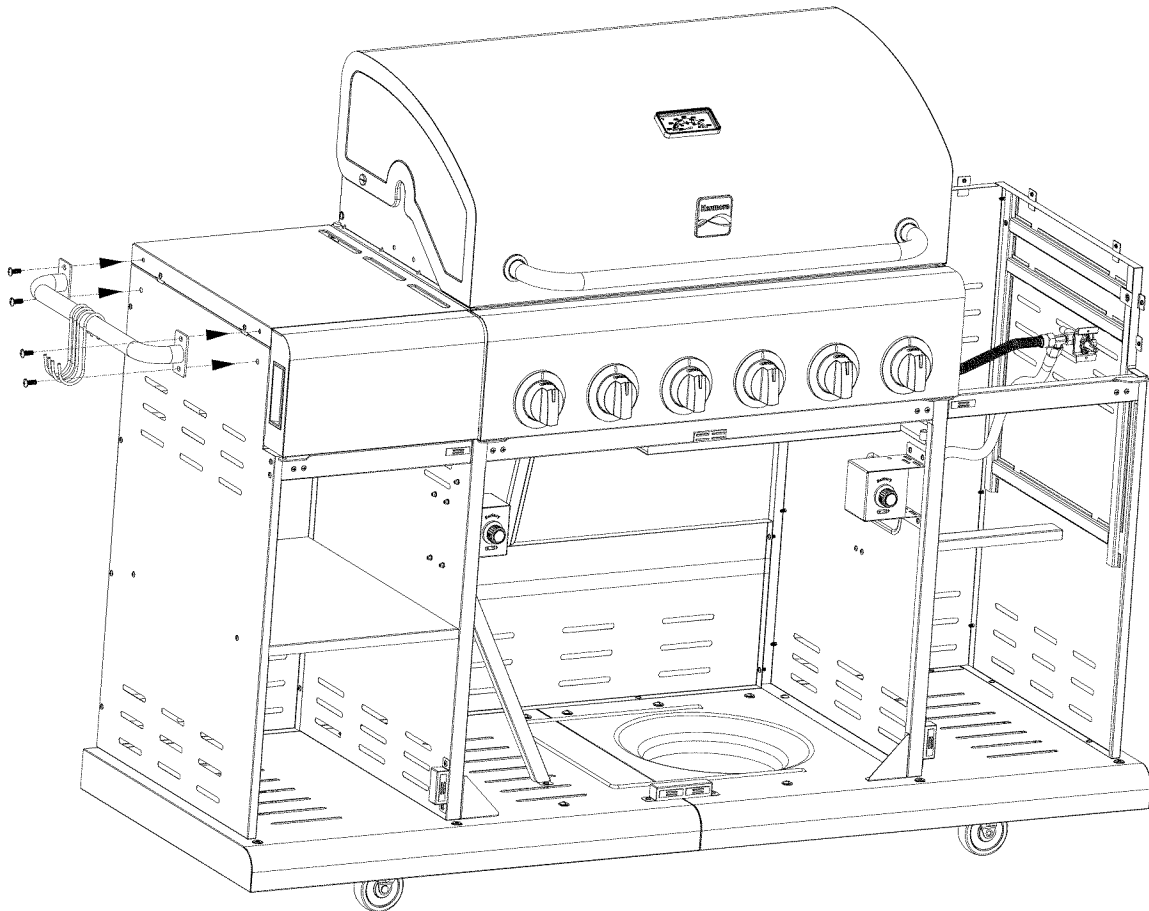
# 14

## Barra de empuje

- Una barra de empuje al panel de la izquierda con (4) tornillos de M6x17 como se muestra.  
Nota: Los extremos de gancho deben estar lejos de la parrilla.



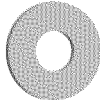
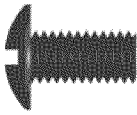
Tornillos de M6X17 Cant: 4 us



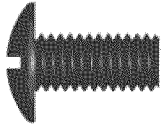
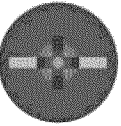
# 15

## Estante de la derecha

- Fije la placa protectora de estante del lado derecho al estante de la derecha con (2) tornillos de M5x10 y arandelas planas M5 como se muestra A.
- Coloque la repisa lateral derecho en la parte superior derecha del gabinete como se muestra B.
- Fije la repisa de la parrilla con (2) tornillos de M6x13 y arandelas de compresión M6 del interior de la cámara de combustión como se muestra C.



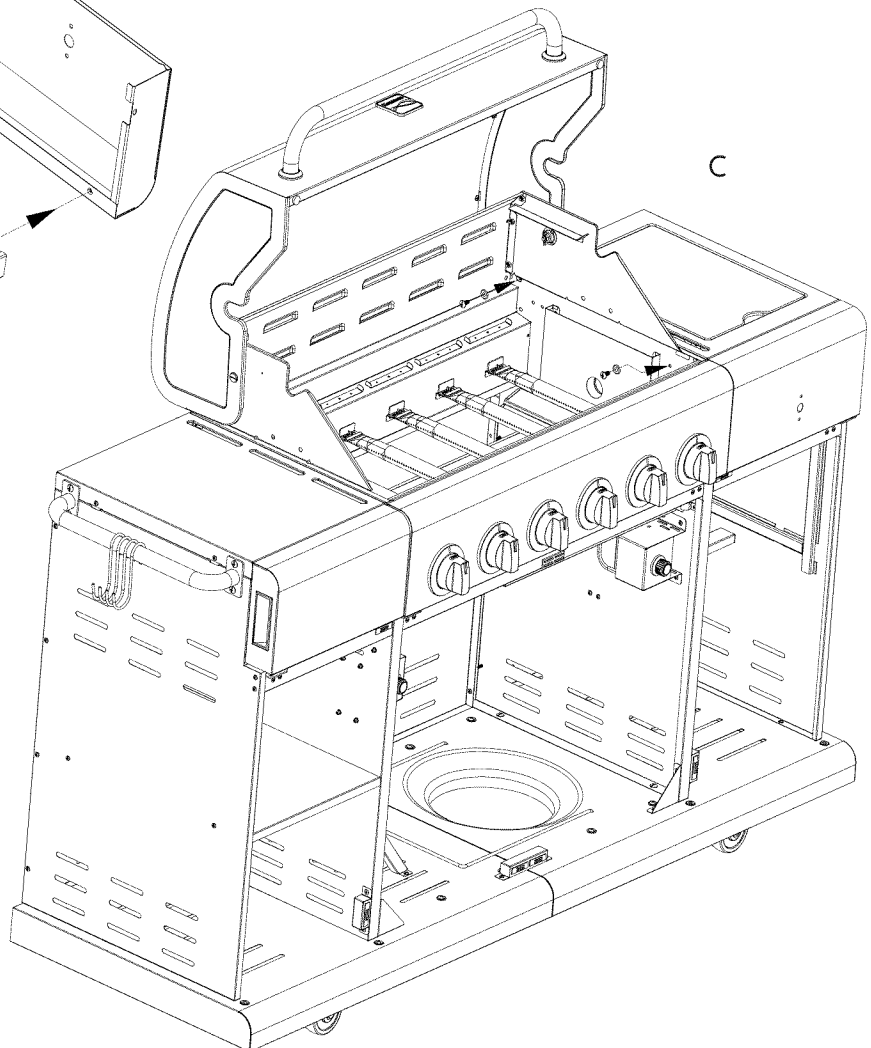
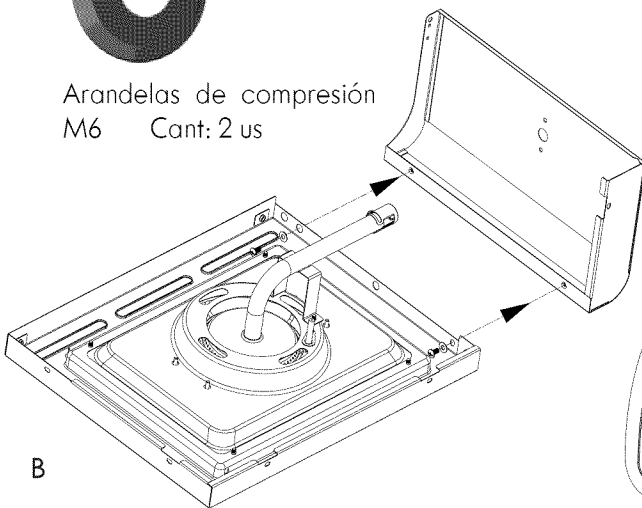
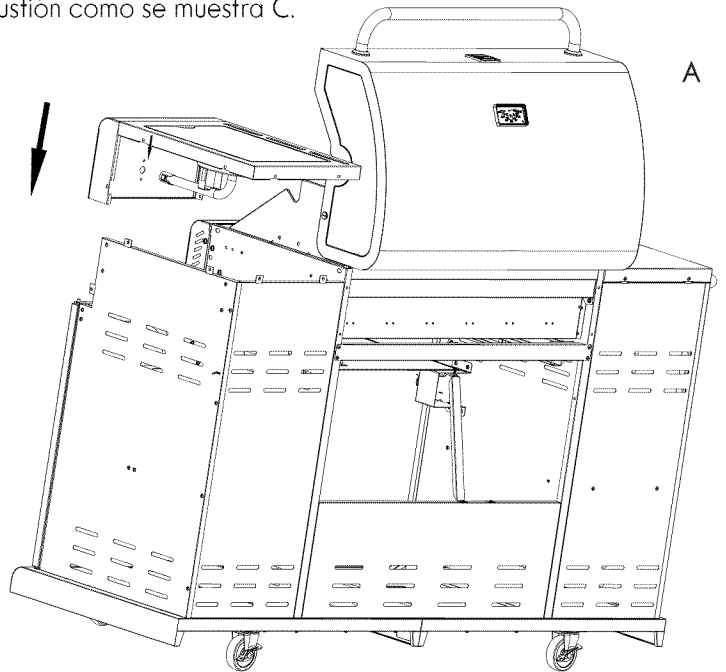
Tornillos de M5X10 Cant: 2 us    Arandelas planas M5    Cant : 2 us



Tornillos de M6X13    Cant: 2 us



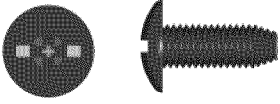
Arandelas de compresión M6    Cant: 2 us



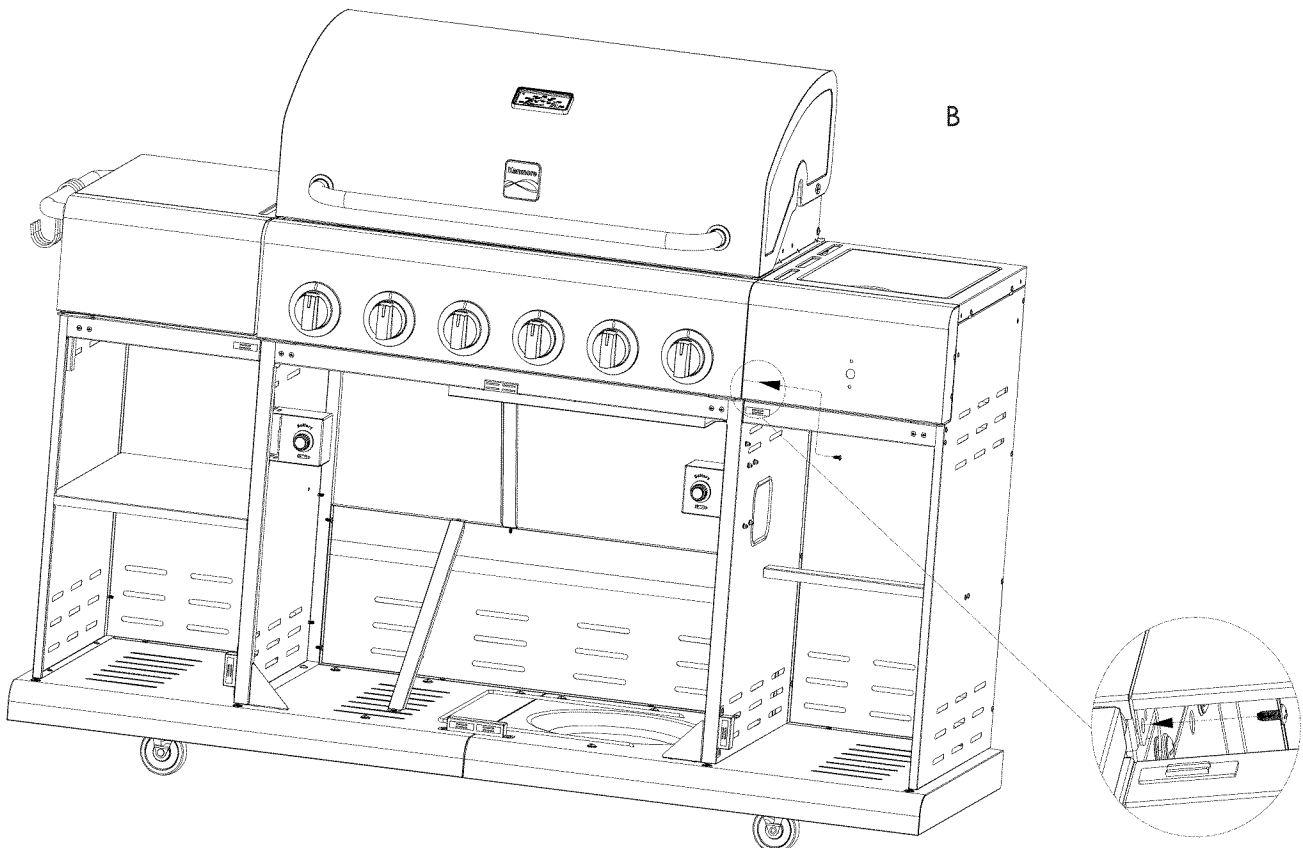
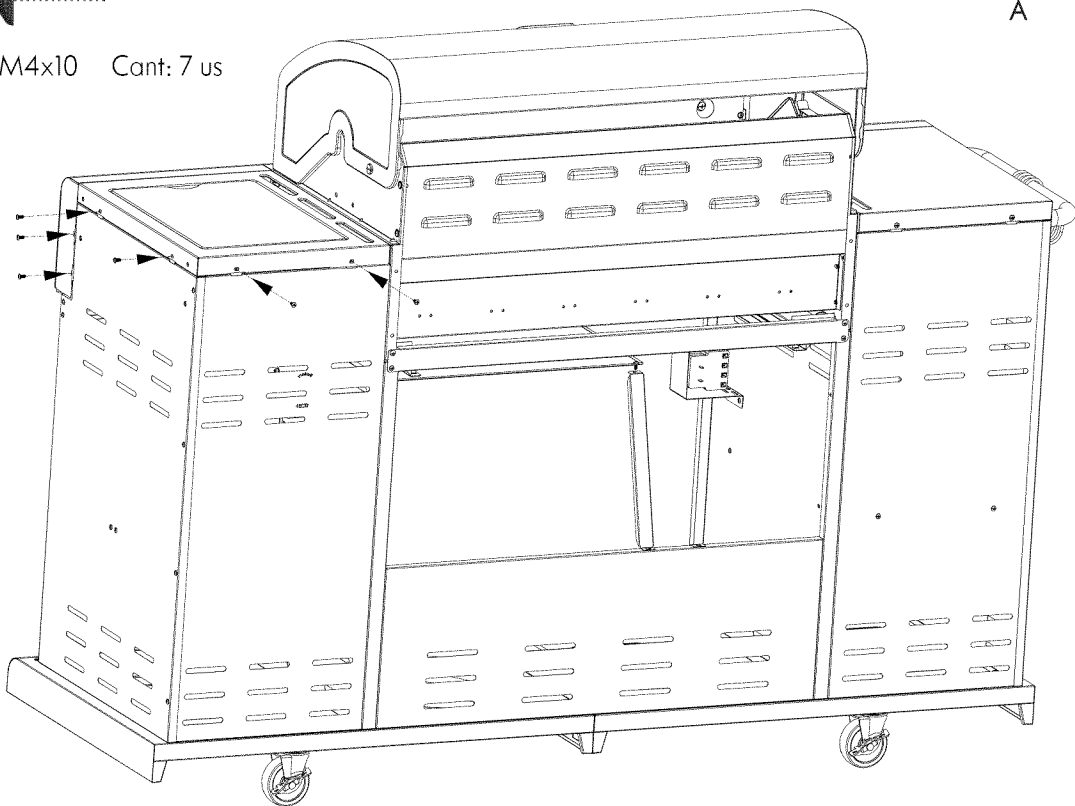
# 15

## Estante de la derecha (continuó)

- Estante de adjuntar a la derecha del gabinete con (6) tornillos de M4x10 como se muestra A.
- Conectar derecha fascia de estante al panel de control con el (1) tornillo de M4x10 como se muestra B.



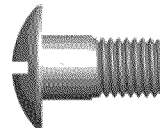
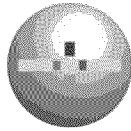
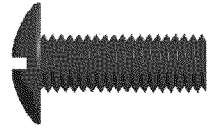
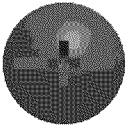
Tornillos de M4x10 Cant: 7 us



# 16

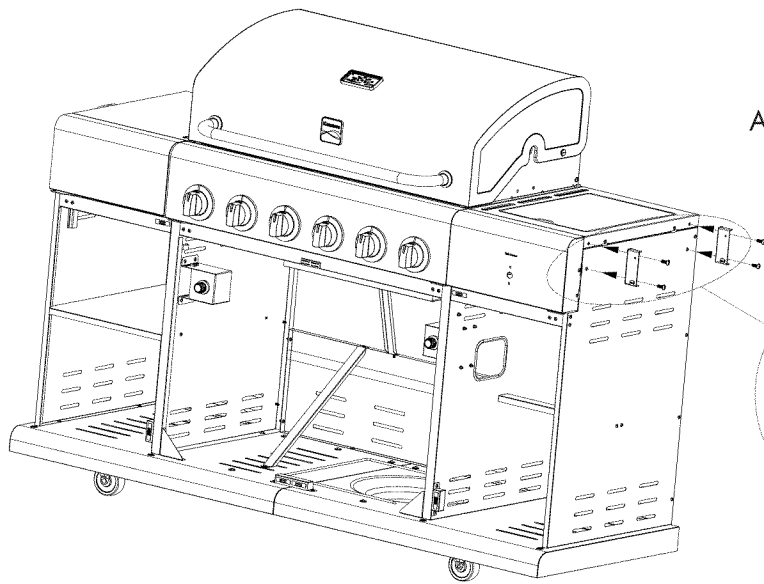
## Estante lateral plegable

- Conecte los dos plegable lateral soportes para el panel externo de derecho con (4) tornillos de M6x17. Coloque el soporte como figura un show, asegúrese de que el tornillo de M6x12 son tornillos en los orificios inferiores de los soportes de apoyo.
- Alinee las ranuras de soportes con orificios superiores en los soportes como se muestra estante B. Sostenga en su lugar mientras instala estante sobre los soportes con (2) tornillos de M6x12.
- Elevar el estante y empuje hacia abajo para que encaje en la posición como se muestra. Estante inferior, levante y abra

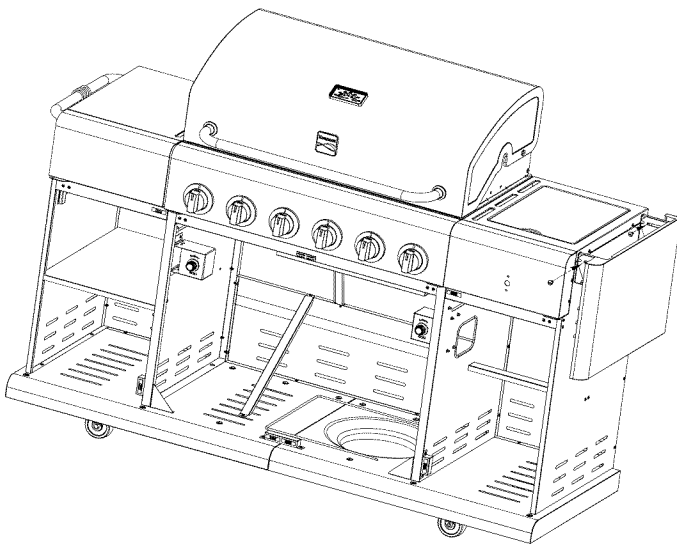
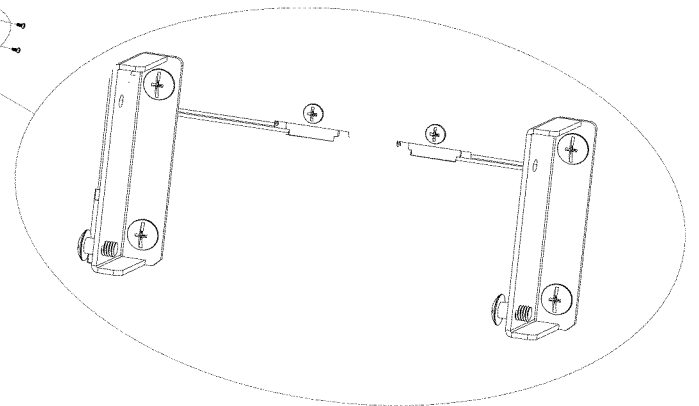


Tornillos de M6X17 Cant: 4 us

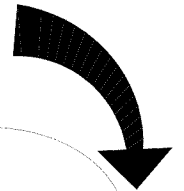
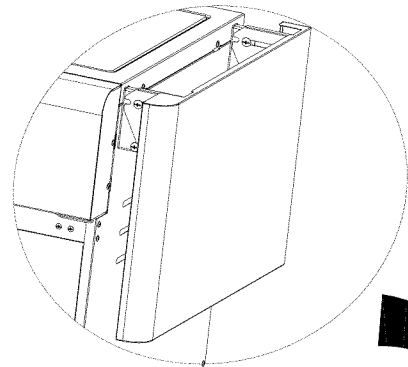
Tornillos de M6X12 Cant: 2 us



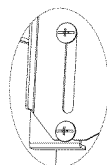
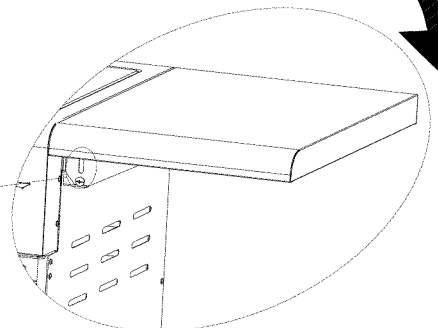
A



B



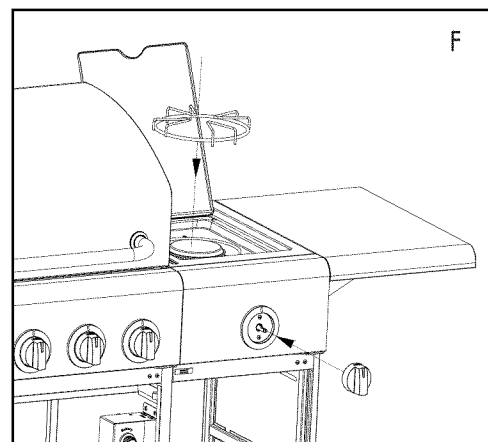
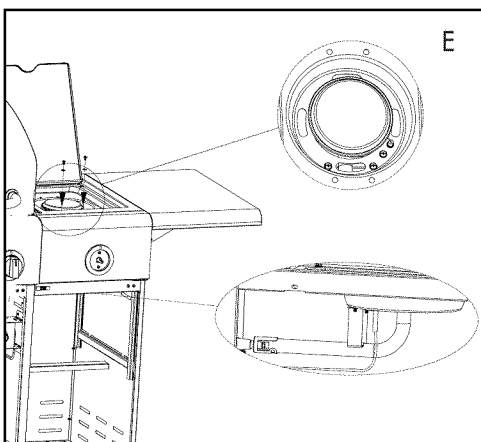
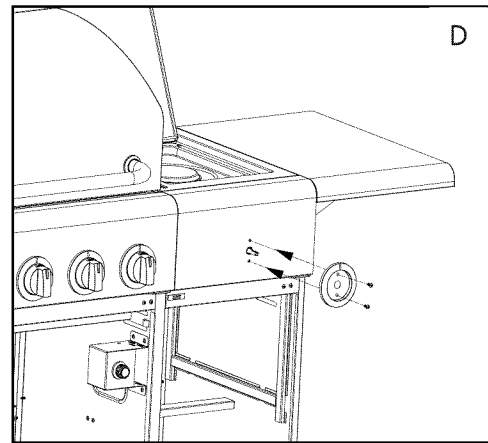
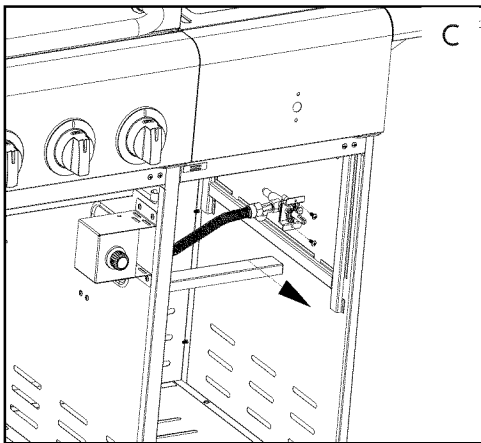
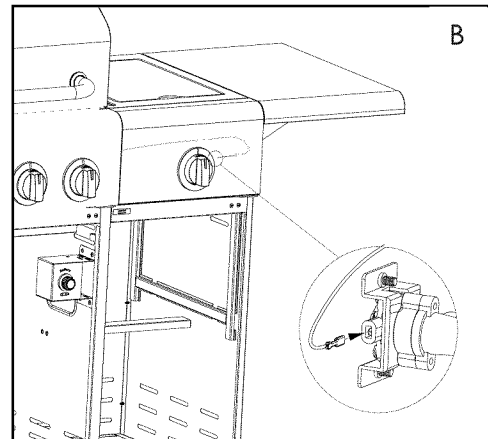
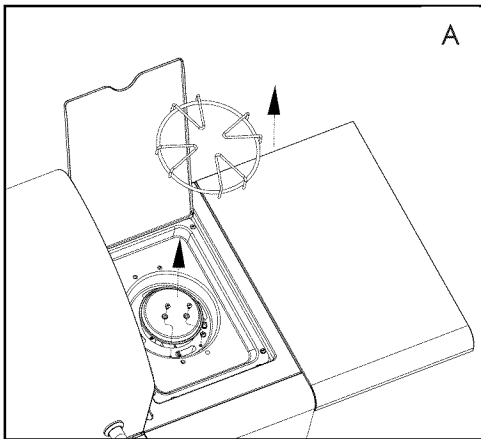
C



# 17

## Quemador lateral

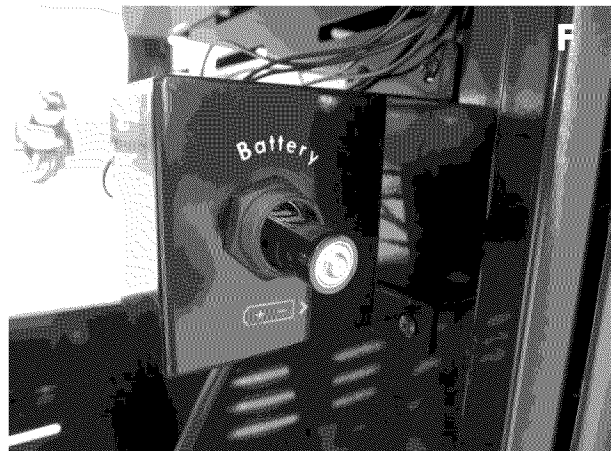
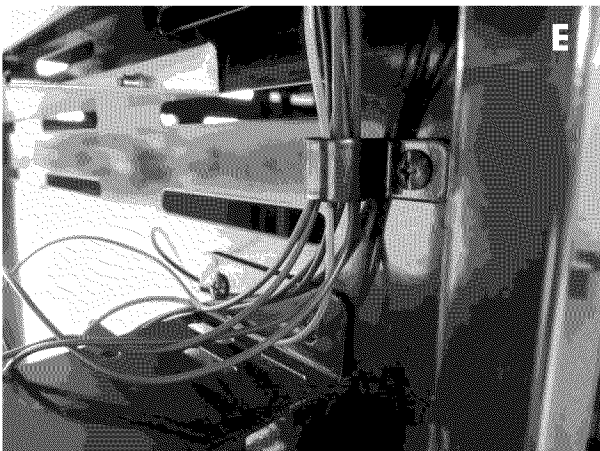
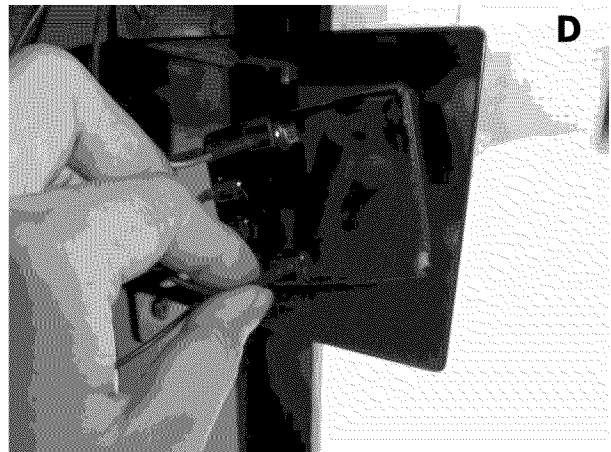
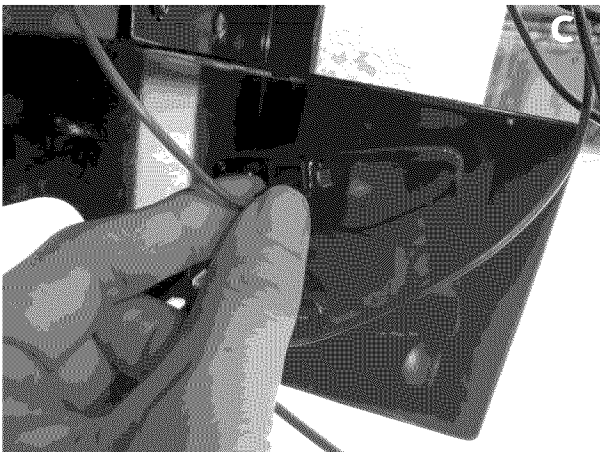
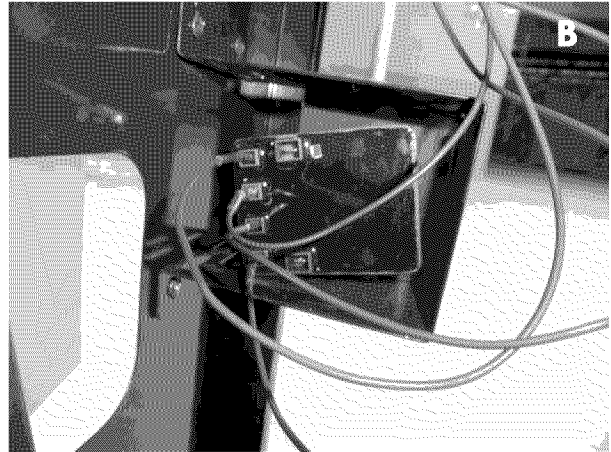
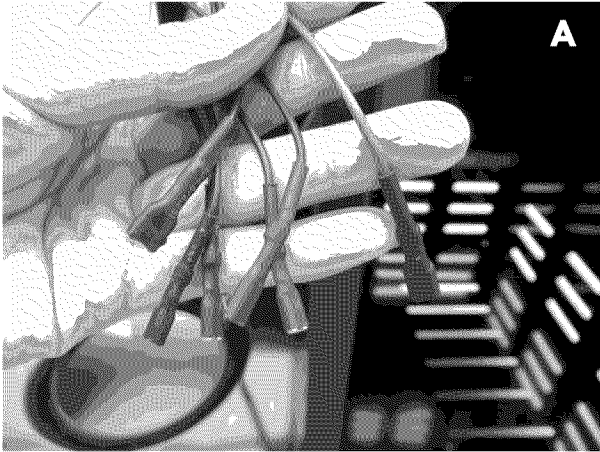
- Afloje quemador lateral en estante lateral destornillando y quitando los dos tornillos delanteros sosteniendo el quemador en su lugar. Véase A. Nota: No afloje el tornillo de electrodo.
- Línea de tierra de quemador lateral tiene dos cables que van en una punta del conector. Ejecución cable más largo a través del orificio de ventilación por encima del módulo de encendido en el panel lateral del gabinete derecho. Fije firmemente la punta del alambre largo al pin del conector en la válvula del regulador. Véase B.
- Retire los 2 tornillos de la válvula de control y póngalas aparte. Véase C.
- Insertar control vástago de la válvula a través del orificio en la placa protectora. Una bisel a la fascia y válvula de cara con 2 tornillos retirados anteriormente. Una bisel con marca negra hacia arriba. Véase D.
- Lugar lado tubo del quemador sobre el orificio de la válvula, asegurándose de que el orificio está dentro del tubo del quemador. Vuelva a colocar el quemador lateral estante lateral con los 2 tornillos retirados anteriormente. Véase E.
- Run lado cable se muestra E del quemador a través del orificio de ventilación del panel lateral y en el gabinete principal. Conecte el cable en el paso posterior.
- Empuje perilla de control en el vástago de control de válvula de quemador lateral y coloque la rejilla sobre el quemador para cocinar. Véase F.



# 18

## Cables para el módulo de ignición derecho

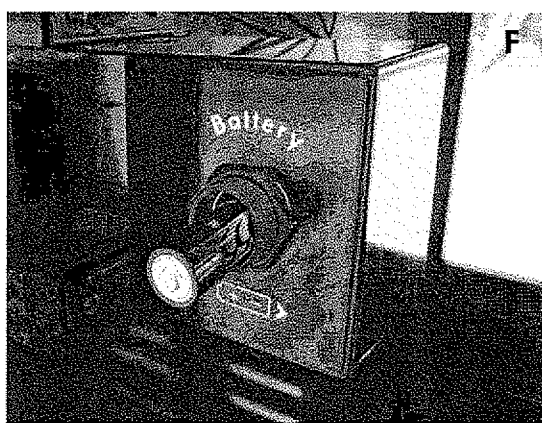
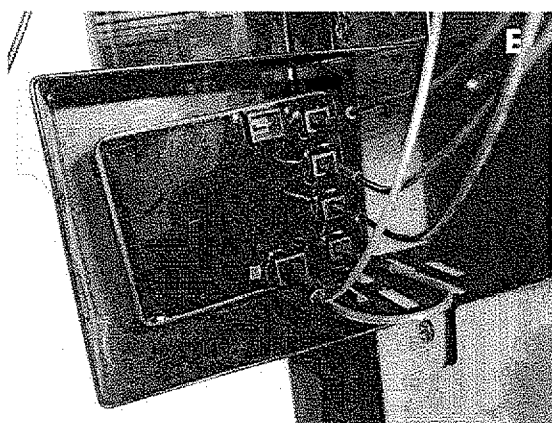
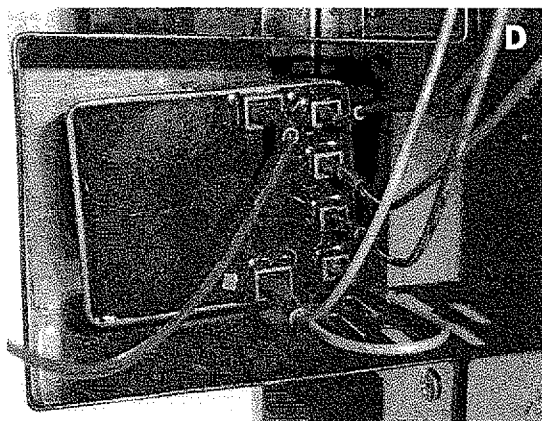
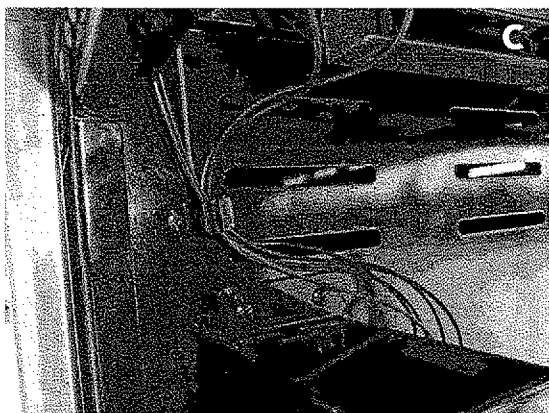
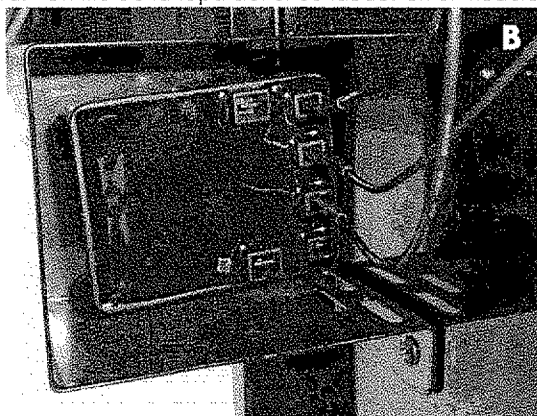
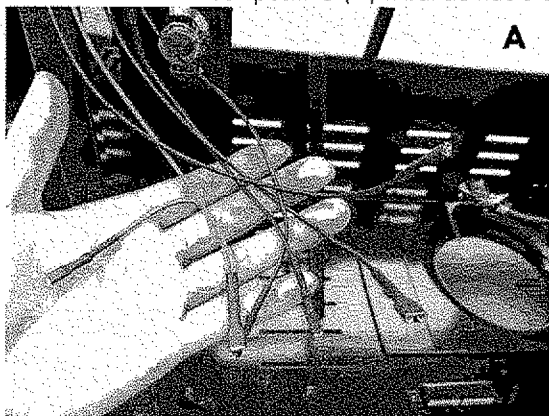
- Conectar los cuatro cables negros con los pequeños consejos en las cuatro B.vpequeñas conexiones como se muestra. Ver figura B.
- Conecte la punta de cable naranja en la naranja toma gran marcada como se muestra. Ver figura C.
- Conecte la punta doble cable en la toma de grande restante como se muestra. Ver figura D.
- Reunir los seis cables y empújelos en el clip de alambre de ignición almacenarlos cuidadosamente fuera del camino. Vea figura E.
- Desenrosque la tapa de encendido del módulo de encendido. Inserte una pila AA en módulo con positivo (+) mirando hacia afuera. Tornillo de la tapa del encendedor en el módulo. Ver figura F.



# 19

## Cables para la izquierda del módulo de encendido

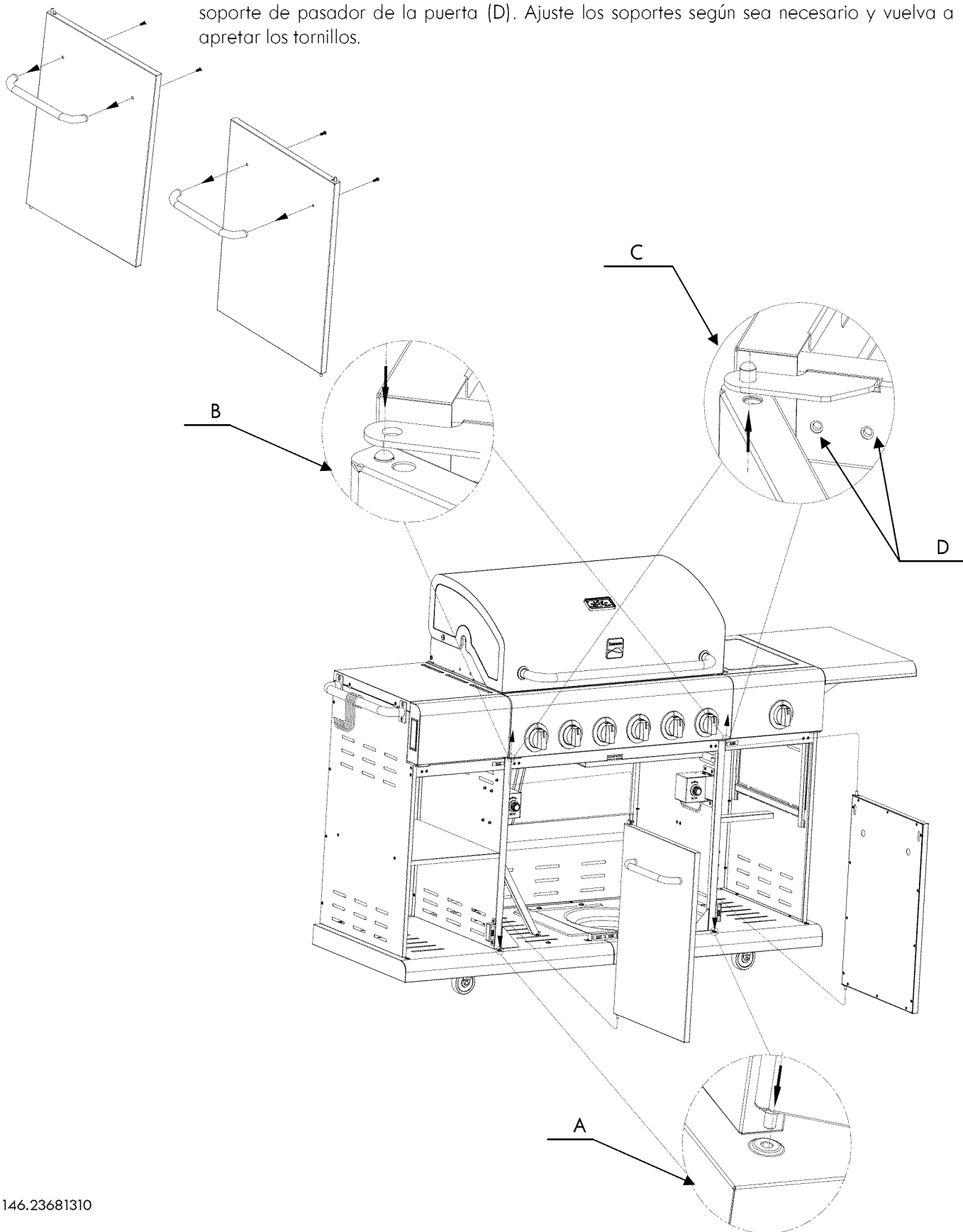
- Conecte los tres cables con los pequeños consejos en tres de las cuatro tomas pequeñas como se muestra.
- Conecte la punta pequeña de doble cable naranja al pequeño enchufe restantes como se muestra. Conecte la punta grande de doble cable naranja en la naranja toma gran marcada como se muestra.
- Conecte la punta de cable negro en la toma de grande restante como se muestra.
- Reunir los cinco hilos y empújelos en el clip de alambre de ignición almacenarlos cuidadosamente fuera del camino.
- Desenrosque la tapa de encendido del módulo de encendido. Inserte una pila AA en módulo con positivo (+) mirando hacia afuera. Tornillo de la tapa del encendedor en el módulo.



# 20

## Puertas principales de parrilla para el gabinete

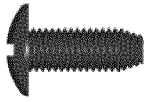
- Retire los (4) tornillos de M5x15 pre-ensamblados para extremos de las manijas de la puerta principal y utilízarlos para fijar las manijas para puertas como se muestra.
- Para cada puerta, inserte el pasador de la bisagra inferior en el orificio en el estante inferior del carro (A). Empujar el pasador de la bisagra superior en la puerta, alinearlos con el orificio del pasador de la bisagra superior (B) y deje que el pin pop copia de seguridad, asegurar la puerta de posición (C).
- Nota: Si la puerta no se alinea al cerrar o no cerrar libremente, afloje los tornillos del soporte de pasador de la puerta (D). Ajuste los soportes según sea necesario y vuelva a apretar los tornillos.



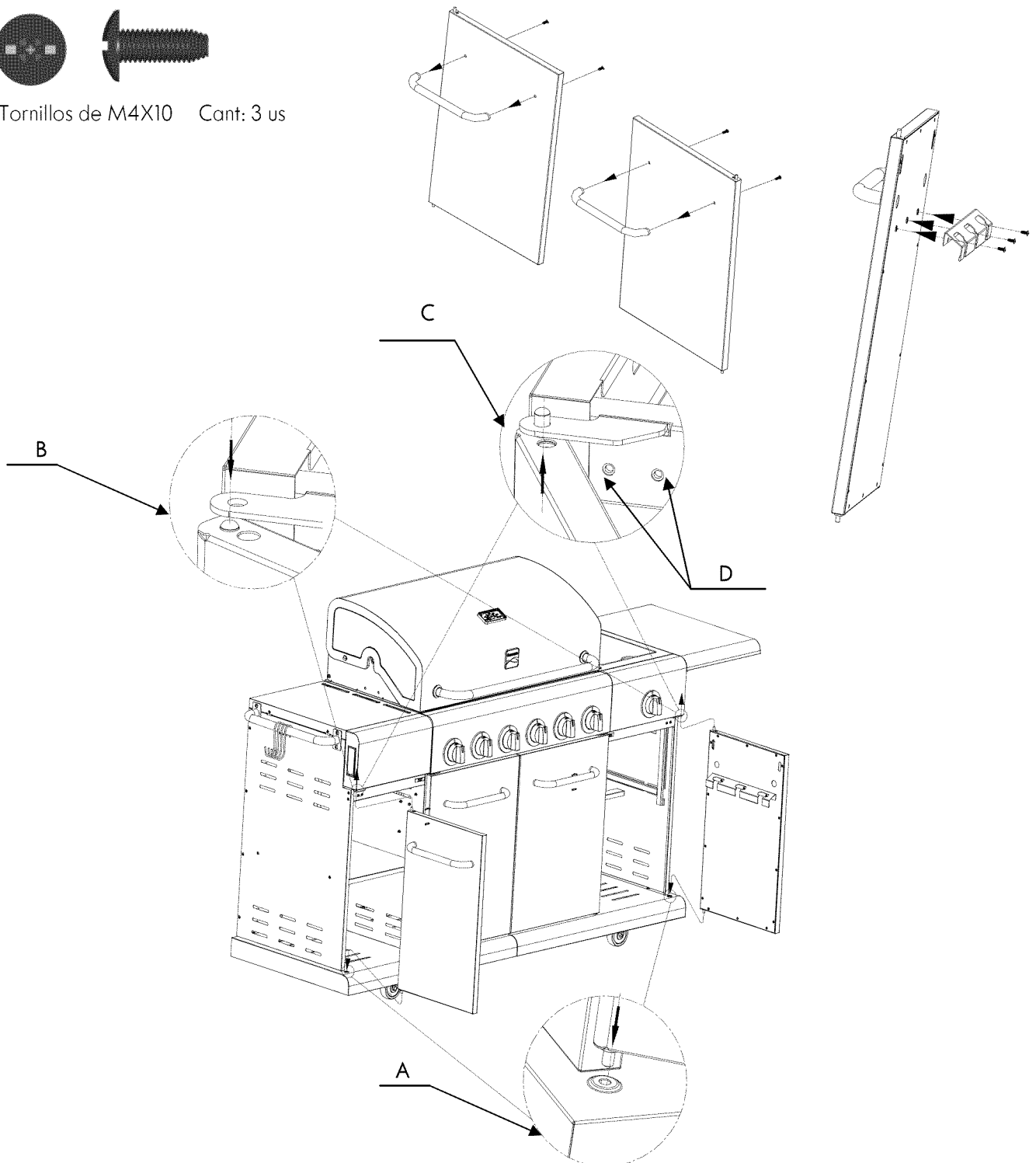
# 21

## Puertas de gabinete

- Retire los (4) tornillos de M5x15 pre-ensamblados en los extremos de las manijas de puerta y utilícelos para fijar las manijas para puertas.
- Sujete el gancho de la herramienta en la parte posterior izquierda de la puerta con (3) tornillos de M4x10.
- Para cada puerta, inserte el pasador de la bisagra inferior en el orificio en la parte inferior delantera del carro. (A) Presione el pasador de la bisagra superior en la puerta, alinéela con el agujero de la bisagra superior (B) y deje que el pin pop copia de seguridad asegure la puerta en posición. (C)
- Nota: Si la puerta no se alinea al cerrado o no se puede cerrar libremente, afloje los tornillos en el soporte de pasador de la puerta. Ajuste el soporte de pasador puerta según sea necesario y vuelva a apretar los tornillos. Vuelva a verificar la alineación de la puerta una vez que la parrilla esté completamente ensamblada y reajuste si es necesario.

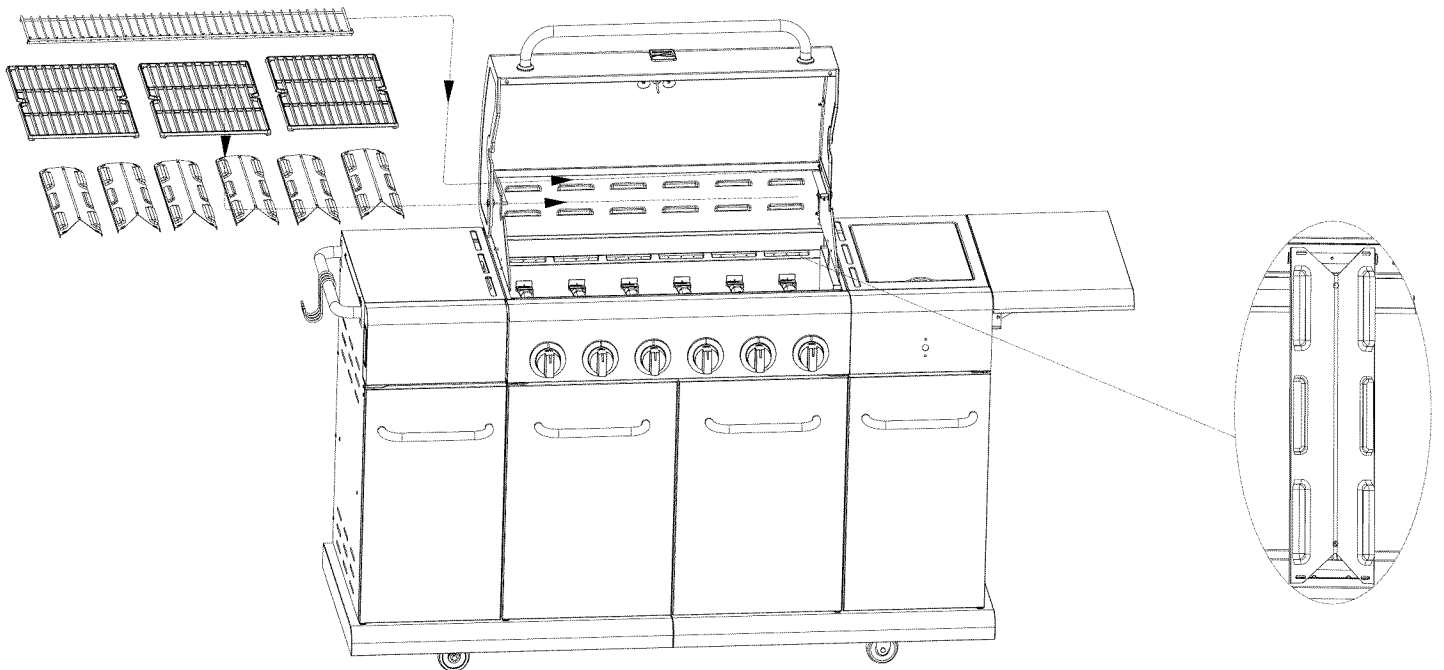
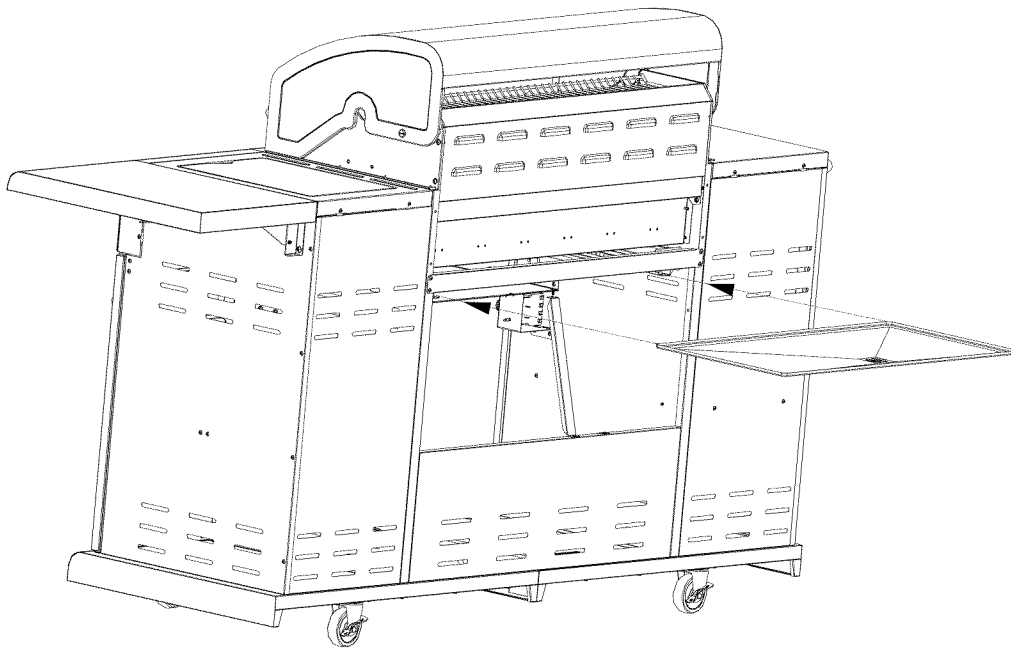


Tornillos de M4X10 Cant: 3 us



### Bandeja de grasa, difusores de calor, parrillas de cocción y calentamiento de Rack

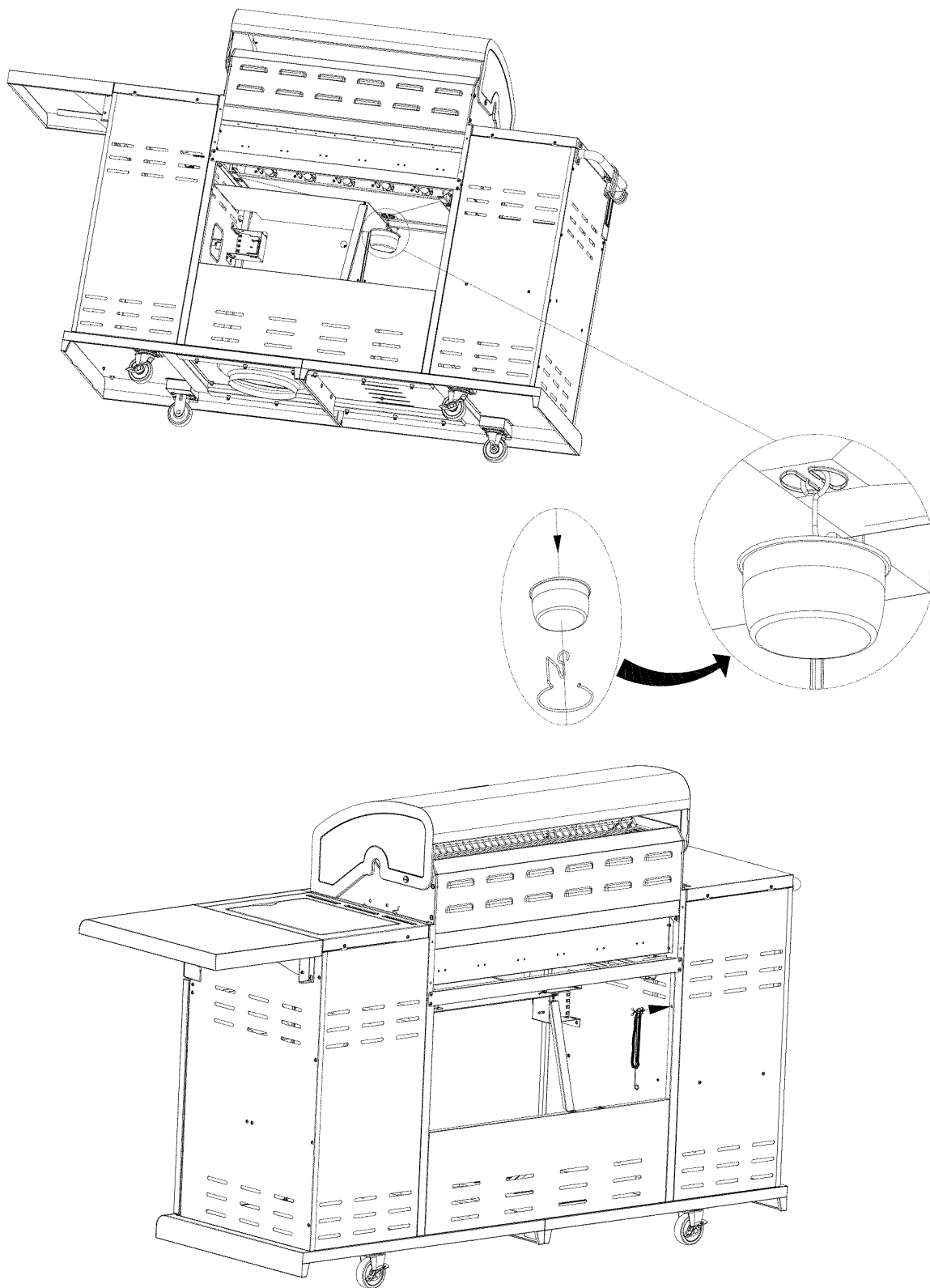
- Deslice la bandeja de grasa en la parte inferior de la cámara de combustión desde atrás. Asegúrese de que el agujero de drenaje de grasa es en el lado derecho, visto desde la parte trasera de la parrilla.
- Coloque difusores de calor sobre los quemadores principales. Los difusores de calor entra en la cámara de combustión en cualquier dirección. Coloque fichas en la parte delantera de la cámara de combustión a través de ranuras en consejos de difusor. Consejos de difusor de ajuste entre las fichas vde la parte posterior de la cámara de combustión.
- Lugar cocina parrillas sobre restos de rejilla en la parte delantera y trasera de la cámara de combustión.
- Inserte la parrilla con borde levantado frente a los soportes en la parte superior de la cámara de combustión tal como se muestra.



**23**

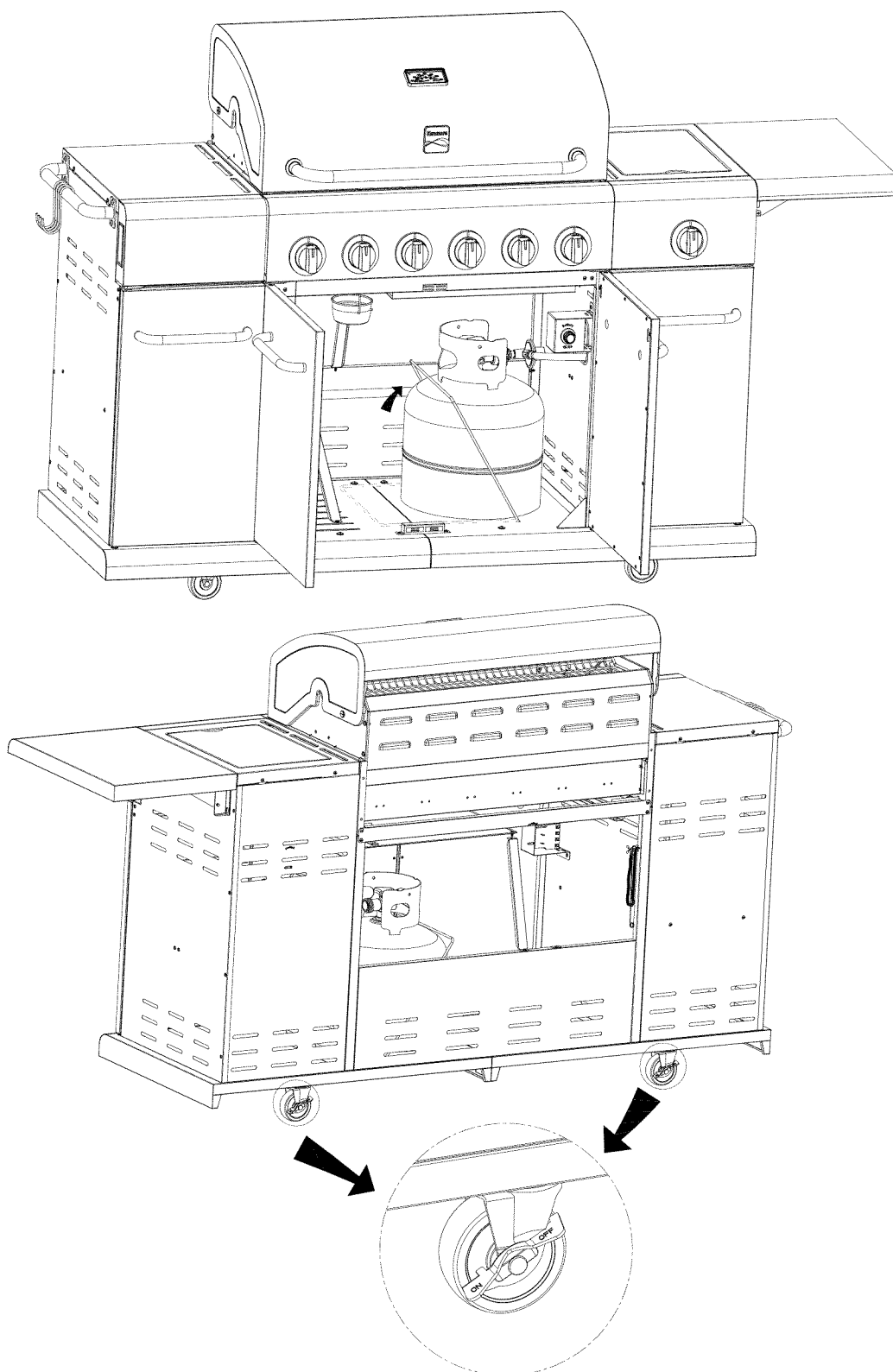
### Taza de la grasa y titular del partido

- Coloque la taza de la grasa en el clip de taza de grasa. Colgar clip de taza de grasa de la parte inferior de la bandeja de grasa como se muestra.
- Inserte la abrazadera de la torcedura de nylon en el orificio en la parte trasera del panel del lado izquierdo del gabinete principal como se muestra. Utilizar para fijar el titular del partido a la parrilla.



## El tanque LP

- Alimente la manguera del regulador a través del orificio en el panel lateral derecho.
- Tanque de gas LP se vende por separado. Use solamente con una OPD (dispositivo de protección de sobrellenado) habiéndolo equipado con tanque de gas LP. Llénese y verificación antes de colocar en la parrilla y regulador de fugas.
- Coloque el tanque en el orificio en el estante inferior con la apertura del collar del tanque hacia la derecha como se muestra. Levante portatanque para sujetar firmemente el tanque en su lugar.
- Cuando la parrilla está en el lugar deseado, trabe los frenos de las ruedas; Esto ayudará a la parrilla a permanecer en el lugar para una operación segura.



**EMERGENCIAS:** Si no se puede detener una fuga de gas, o si ocurre un incendio debido a una fuga de gas, llame a los bomberos.

Emergencias	Causas probables	Medidas de prevención / solución
<p>Fuga de gas de mangueras quebradas, cortadas o quemadas.</p> <p>Fuga de gas del cilindro.</p> <p>Fuga de gas de la válvula del cilindro de gas.</p> <p>Fuga de gas entre cilindro de gas y la conexión del regulador.</p> <p>Sale fuego a través del panel de control.</p> <p>Hay continuamente fuego de la grasa o demasiadas llamas sobre la superficie de cocinar.</p>	<ul style="list-style-type: none"> <li>• Manguera dañada.</li> <li>• Falla mecánica debido a la oxidación o al mal uso.</li> <li>• Falla de la válvula del cilindro debida a mal uso o a falla mecánica.</li> <li>• Instalación inadecuada, la conexión no está bien apretada, falla de la junta de caucho.</li> <li>• Fuego en la sección del tubo del quemador debido a un bloqueo.</li> <li>• Demasiada grasa acumulada en la zona del quemador.</li> </ul>	<ul style="list-style-type: none"> <li>• Cierre el gas en el cilindro o en la fuente de los sistemas de gas natural. Si tiene todo tipo de desperfectos, pero no está quemada, cambie la válvula/la manguera/ el regulador. Si está quemada, deje de usar el producto hasta que un plomero haya investigado la causa y haya hecho las correcciones.</li> <li>• Cambie el cilindro de gas.</li> <li>• Cierre la válvula del cilindro de gas. Devuelva el cilindro al proveedor de gas.</li> <li>• Cierre la válvula del cilindro de gas. Retire el regulador del cilindro y examine visualmente la junta de caucho para detectar cualquier daño. Lea las secciones tituladas Prueba para detectar fugas en un cilindro de gas y Como conectar el regulador al cilindro de gas.</li> <li>• Cierre las perillas de control y la válvula del cilindro de gas. Deje abierta la tapa para permitir que las llamas se extingan. Una vez que se haya extinguido el fuego y la parrilla esté fría, retire el quemador y examínelo para ver si tiene nidos de arañas o herrumbre. Lea las páginas relativas a Los peligros naturales y la limpieza de la unidad del quemador.</li> <li>• Cierre las perillas de control y la válvula del cilindro de gas. Deje abierta la tapa para permitir que las llamas se extingan. Una vez que se haya enfriado, limpie las partículas de comida y la acumulación de grasa en la parte interior de la zona de la cámara de combustión, de la lata para la grasa y de toda otra superficie.</li> </ul>

#### Resolución de problemas

Problema	Causas probables	Medidas de prevención / solución
<p>El quemador o los quemadores no se enciende(n) al usar el encendedor.</p> <p><i>Continúa en la página siguiente.</i></p>	<p><b>PROBLEMAS DE GAS:</b></p> <ul style="list-style-type: none"> <li>• Está tratando de encender el quemador equivocado.</li> <li>• El quemador no está conectado a la válvula de control.</li> <li>• Obstrucción en el quemador.</li> <li>• No hay flujo de gas.</li> <li>• Hay vapor atrapado en la tuerca de unión al tanque de gas.</li> <li>• La tuerca de unión y la válvula del tanque de gas no están bien conectadas.</li> </ul> <p><b>PROBLEMAS DE ELECTRICIDAD:</b></p> <ul style="list-style-type: none"> <li>• Electrodo quebrado o roto; salen "chispas de la quebradura".</li> <li>• La punta del electrodo no está en posición correcta.</li> </ul>	<ul style="list-style-type: none"> <li>• Lea las instrucciones en el panel de control y en la sección titulada <i>Uso y cuidado</i>.</li> <li>• Verifique que las válvulas estén ubicadas dentro de los tubos de los quemadores.</li> <li>• Verifique que el tubo de los quemadores no esté obstruido con telarañas u otras materias. Lea la sección de limpieza de <i>Uso y cuidado</i>.</li> <li>• Verifique que el tanque no esté vacío. Si el tanque de gas no está vacío, lea la sección referente a la <i>Caída repentina del flujo de gas</i>.</li> <li>• Cierre las perillas y desconecte la tuerca de unión del tanque. Vuelva a conectarla y trate de nuevo.</li> <li>• Gire la tuerca de unión entre media vuelta y tres cuartos de vuelta adicionales, hasta que no la pueda girar más. Apriétela a mano únicamente, no use herramientas.</li> <li>• Cambie el (los) electrodo(s).</li> </ul> <p>Quemadores principales:</p> <ul style="list-style-type: none"> <li>• La punta del electrodo debe estar orientada hacia el agujero de combustión del quemador. La distancia debe ser de 1/8" a 1/4". Ajústela si es necesario.</li> </ul> <p>Quemador lateral (si lo tiene)</p> <ul style="list-style-type: none"> <li>• La punta del electrodo debe estar orientada hacia el agujero de combustión del quemador. La distancia debe ser de 1/8" a 3/16". Ajústela si es necesario.</li> </ul>

## Resolución de problemas (continuación)

Problema	Causas probables	Medidas de prevención / solución
El quemador o los quemadores no se enciende(n) al usar el encendedor.	<ul style="list-style-type: none"> <li>• El cable o el electrodo está cubierto con restos de comida.</li> <li>• Los cables están flojos o desconectados.</li> <li>• Los cables producen cortocircuitos (chispas) entre el encendedor y el electrodo.</li> </ul> <b>BOTÓN PULSADOR PIEZOELÉCTRICO Y GIRATORIO:</b> <ul style="list-style-type: none"> <li>• El botón pulsador se pega en el fondo.</li> <li>• La perilla giratoria gira sin hacer clic.</li> <li>• Hay chispas entre el encendedor y el electrodo.</li> </ul>	<ul style="list-style-type: none"> <li>• Limpie el cable y el electrodo con alcohol de frotar y un hisopo limpio.</li> <li>• Vuelva a conectar los cables o cambie la unidad de electrodo/cable.</li> <li>• Cambie la unidad del cable del encendedor / el electrodo.</li> <li>• Cambie el encendedor.</li> <li>• Cambie la perilla.</li> <li>• Examine el aislamiento de los cables y verifique que las conexiones estén bien hechas. Cambie los cables si tienen roto el aislamiento.</li> </ul>
El quemador o los quemadores no se encienden al usar fósforos.	<ul style="list-style-type: none"> <li>• Lea "PROBLEMAS DE GAS:" en la página anterior.</li> <li>• El fósforo no llega al punto de encendido.</li> <li>• Método inadecuado de encender con fósforos.</li> </ul>	<ul style="list-style-type: none"> <li>• Use un fósforo de palito largo (fósforo para encender chimeneas).</li> <li>• Lea la sección de limpieza de <i>Uso y cuidado</i>.</li> </ul>
Llama baja, gota en flujo del gas.	<ul style="list-style-type: none"> <li>• Se acabó el gas.</li> <li>• Se activó la válvula por sobrecarga de gas.</li> <li>• Hay vapor atrapado en la conexión de la tuerca de unión y el tanque de gas.</li> </ul>	<ul style="list-style-type: none"> <li>• Verifique que el tanque de gas esté cargado.</li> <li>• Dé vuelta apagado al control y las perillas del tanque, esperen 30 segundos, perilla del tanque de la vuelta encendido lentamente, parrilla ligera. Si las llamas siguen siendo bajas, dé vuelta apagado a las perillas del control y del tanque y desconecte el regulador. Vuelva a conectar el regulador, perilla del tanque de la vuelta encendido lentamente, parrilla ligera.</li> <li>• Dé vuelta apagado al control y a las perillas del tanque y desconecte el regulador. Vuelva a conectar el regulador, gire la perilla del tanque lentamente, parrilla ligera.</li> </ul>
Llamas que se apagan.	<ul style="list-style-type: none"> <li>• Vientos fuertes.</li> <li>• Bajo flujo de gas propano.</li> <li>• Se activó la válvula por sobrecarga de gas.</li> </ul>	<ul style="list-style-type: none"> <li>• Gire el frente de la parrilla de modo que quede de cara al viento, o aumente la graduación de las llamas.</li> <li>• Recargue el tanque de gas.</li> <li>• Lea lo referente a la <i>Caída repentina del flujo de gas</i> en la sección anterior.</li> </ul>
Fogonazos.	<ul style="list-style-type: none"> <li>• Acumulación de grasa.</li> <li>• Carne sumamente grasosa.</li> <li>• Temperatura de cocción muy elevada.</li> </ul>	<ul style="list-style-type: none"> <li>• Limpie los quemadores y el interior de la parrilla / cámara de combustión.</li> <li>• Desgrase la carne antes de cocinarla a la parrilla.</li> <li>• Ajuste (baje) la temperatura según corresponda.</li> </ul>
producidos por la grasa.	<ul style="list-style-type: none"> <li>• Grasa atrapada por acumulación de restos de comida alrededor del sistema del quemador.</li> </ul>	<ul style="list-style-type: none"> <li>• Cierre las perillas. Cierre el paso de gas desde el tanque. Deje la tapa en su sitio y deje que se apague el fuego. Después de que se enfríe la parrilla, retire y limpie todas las piezas.</li> </ul>
Retorno de las llamas (fuego en el (los) tubo(s) del quemador).	<ul style="list-style-type: none"> <li>• El quemador o los tubos del quemador están obstruidos.</li> </ul>	<ul style="list-style-type: none"> <li>• Cierre las perillas. Limpie el quemador o los tubos del quemador. Lea la sección de limpieza del quemador de <i>Uso y cuidado</i>.</li> </ul>
No se puede recargar el tanque de gas propano.	<ul style="list-style-type: none"> <li>• Algunos vendedores de gas tienen boquillas de llenado viejas, con las roscas gastadas.</li> </ul>	<ul style="list-style-type: none"> <li>• Las boquillas desgastadas no tienen suficiente "agarre" para conectarse a la válvula. Comuníquese con otro vendedor de gas.</li> </ul>
Un quemador no se enciende desde el quemador otra (s).	<ul style="list-style-type: none"> <li>• La acumulación de grasa o partículas de alimentos en el extremo (s) de tubo de prórroga (s). Fuegos persistentes,</li> </ul>	<ul style="list-style-type: none"> <li>• Gire las perillas en OFF. Apague el gas en el cilindro LP. Deje la tapa en su posición y dejar que el fuego se quemé. Después de la parrilla se enfríe, quite y limpie todas las partes.</li> </ul>

## Resolución de problemas – Encendido electrónico

Problema (encendido)	Causas probables	Procedimiento de revisión	Medidas de prevención / solución
<b>SECCIÓN I</b> No aparecen chispas en ningún electrodo cuando se pulsa el botón de encendido; no se oye ningún sonido del módulo de chispas.	<ul style="list-style-type: none"> <li>• La pila no está instalada adecuadamente.</li> <li>• Pila gastada.</li> <li>• La unidad del botón no está instalada adecuadamente.</li> <li>• Módulo de chispas defectuoso.</li> </ul>	<ul style="list-style-type: none"> <li>• Revise la orientación de la pila.</li> <li>• ¿Es una pila usada?</li> <li>• Revise que las piezas estén debidamente enroscadas. El botón debe desplazarse hacia arriba y hacia abajo sin trabas.</li> <li>• Si no se generan chispas con la pila nueva y las conexiones del cable están bien hechas, el módulo está defectuoso.</li> </ul>	<ul style="list-style-type: none"> <li>• Instale la pila (verifique que los polos "+" y "-" estén orientados correctamente, con el extremo "+" hacia arriba y el extremo "-" hacia abajo).</li> <li>• Cámbiela por una pila alcalina nueva, de tamaño AA.</li> <li>• Desenrosque la tapa del botón y vuelva a instalarla; verifique que las roscas estén bien alineadas y bien enroscadas.</li> <li>• Cambie la unidad del módulo de chispas.</li> </ul>
<b>SECCIÓN II</b> No aparece ninguna chispa en los electrodos cuando se pulsa el interruptor de encendido; no se oye ningún sonido.	<ul style="list-style-type: none"> <li>• Las conexiones del cable de salida no están bien hechas.</li> </ul>	<ul style="list-style-type: none"> <li>• ¿Están conectadas y bien hechas las conexiones de salida?</li> </ul>	<ul style="list-style-type: none"> <li>• Retire y vuelva a hacer todas las conexiones de salida en el módulo y en los electrodos.</li> </ul>
<b>SECCIÓN III</b> Hay chispas pero no en todos los electrodos y/o no a plena potencia.	<ul style="list-style-type: none"> <li>• Las conexiones del cable de salida no están bien hechas.</li> <li>• El arco de la parrilla se forma lejos del (de los) quemador(es).</li> <li>• Pila débil.</li> <li>• Los electrodos están húmedos.</li> <li>• Los electrodos están agrietados o rotos, con "chispas en las grietas".</li> </ul>	<ul style="list-style-type: none"> <li>• ¿Están conectadas y bien hechas las conexiones de salida?</li> <li>• Si es posible, observe la parrilla en un lugar oscuro. Haga funcionar el sistema de encendido y trate de detectar la formación del arco entre los cables de salida y el marco de la parrilla.</li> <li>• Se forman todas las chispas pero son débiles o lentas.</li> <li>• ¿Se ha acumulado humedad en el electrodo y/o en los orificios de combustión?</li> <li>• Examine los electrodos para detectar grietas.</li> </ul>	<ul style="list-style-type: none"> <li>• Retire y vuelva a hacer todas las conexiones de salida en el módulo y en los electrodos.</li> <li>• Si se observan chispas que no sean del (de los) quemador(es), es posible que esté dañado el aislamiento de los cables. Cambie los cables.</li> <li>• Cambie la pila por una pila alcalina nueva, de tamaño AA.</li> <li>• Use una toalla de papel para secar la humedad.</li> <li>• Cambie los electrodos agrietados o rotos.</li> </ul>

# Get it fixed, at your home or ours!

## Your Home

For troubleshooting, product manuals and expert advice:



[www.managemylife.com](http://www.managemylife.com)

For repair – **in your home** – of **all** major brand appliances, lawn and garden equipment, or heating and cooling systems, **no matter who made it, no matter who sold it!**

For the replacement parts, accessories and owner's manuals that you need to do-it-yourself.

For Sears professional installation of home appliances and items like garage door openers and water heaters.

**1-800-4-MY-HOME<sup>®</sup>** (1-800-469-4663)

Call anytime, day or night (U.S.A. and Canada)

[www.sears.com](http://www.sears.com)    [www.sears.ca](http://www.sears.ca)

## Our Home

For repair of carry-in items like vacuums, lawn equipment, and electronics, call anytime for the location of your nearest

**Sears Parts & Repair Service Center**

**1-800-488-1222** (U.S.A.)

[www.sears.com](http://www.sears.com)

**1-800-469-4663** (Canada)

[www.sears.ca](http://www.sears.ca)

To purchase a protection agreement on a product serviced by Sears:

**1-800-827-6655** (U.S.A.)

**1-800-361-6665** (Canada)

Para pedir servicio de reparación a domicilio, y para ordenar piezas:

**1-888-SU-HOGAR<sup>®</sup>**

(1-888-784-6427)

[www.sears.com](http://www.sears.com)

Au Canada pour service en français:

**1-800-LE-FOYER<sup>MC</sup>**

(1-800-533-6937)

[www.sears.ca](http://www.sears.ca)

The Sears logo, consisting of the word "sears" in a lowercase, serif font.

® Registered Trademark / <sup>TM</sup> Trademark of KCD IP, LLC in the United States, or Sears Brands, LLC in other countries

® Marca Registrada / <sup>TM</sup> Marca de Fábrica de KCD IP, LLC en Estados Unidos, o Sears Brands, LLC in otros países

<sup>MC</sup> Marque de commerce / <sup>MD</sup> Marque déposée de Sears Brands, LLC