

VEVOR[®]

TOUGH TOOLS, HALF PRICE

Technical Support and E-Warranty Certificate www.vevor.com/support

WOOD LATHE INSTRUCTION MANUAL

MODEL: MCS1000

We continue to be committed to provide you tools with competitive price.

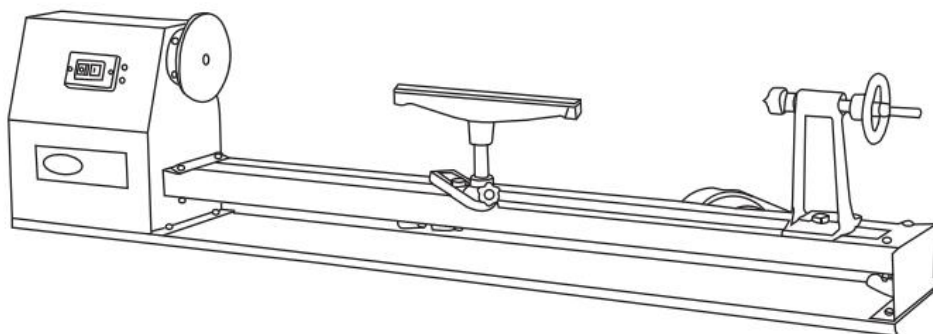
"Save Half", "Half Price" or any other similar expressions used by us only represents an estimate of savings you might benefit from buying certain tools with us compared to the major top brands and does not necessarily mean to cover all categories of tools offered by us. You are kindly reminded to verify carefully when you are placing an order with us if you are actually saving half in comparison with the top major brands.

VEVOR®

TOUGH TOOLS, HALF PRICE

WOOD LATHE

MODEL:MCS1000



NEED HELP? CONTACT US!

Have product questions? Need technical support? Please feel free to contact us:

Technical Support and E-Warranty Certificate
www.vevor.com/support

This is the original instruction, please read all manual instructions carefully before operating. VEVOR reserves a clear interpretation of our user manual. The appearance of the product shall be subject to the product you received. Please forgive us that we won't inform you again if there are any technology or software updates on our product.

MATTERS NEEDING ATTENTION

The information contained in this handbook is intended as a guide to the operation of these machines and does not form part of any contract. The data it contains has been obtained from the machine manufacturer and from other sources. We strive to ensure the accuracy of this information and try to verify each item and each data, but we cannot guarantee the full accuracy of the information, which means that the equipment supply may differ in detail from the description of the instructions. Furthermore, development of the machine may mean that the equipment supplied may differ in detail from the descriptions herein. The responsibility therefore lies with the user to satisfy himself that the equipment or process described is suitable for the purpose intended.

QUALITY ASSURANCE




We will make every effort to ensure the quality of our products, and we promise to consumers that we will guarantee our products for one year, except for machine damage caused by improper operation of customers, and accidents resulting therefrom, or abnormal wear and damage caused by lack of maintenance.

In order to fulfill the warranty commitment, the product or part with quality problems, please return to us for verification, postage prepaid. Goods sent back should be accompanied by a note of the date of purchase and a written explanation of the quality of the product. After our inspection and confirmation, we will repair or replace their products, or refund the payment; If we fail to provide repair or replacement in a timely manner, we shall bear the costs arising from the repair or replacement of the products; If the damage is not due to the quality of the product, but due to the user's improper operation or other reasons, the cost shall be borne by the customer .

Our company reserves the right to make changes to this specification and product specifications. We will make continuous efforts to improve the quality of our products.






All rights reserved. Reproduction or reproduction is not allowed without permission.

SAFETY WARNING

Symbol I	Symbol Description
	Warning - To reduce the risk of injury, user must read instructions manual carefully.
	This symbol, placed before a safety comment, indicates a kind of precaution, warning, or danger. Ignoring this warning may lead to an accident. To reduce the risk of injury, fire, or electrocution, please always follow the recommendation shown below.
	<p>Do not overload the machine</p> <p>Provide good stability and keep balance all times</p> <p>Avoid abnormal working postures! Make sure you stand squarely and keep balance at all times.</p> <p>Always stay focused when working. Reduce distortion sources in your working environment. The operation of the machine when being tired, as well as under the influence of alcohol, drugs or concentration influencing medicaments is forbidden.</p> <p>Do not climb onto the machine!</p> <p>The machine must be operated only by trained persons (knowledge and understanding of this manual), which have no limitations of motor skills compared with conventional workers.</p> <p>Do not allow other people, particularly children, to touch the machine or the cable. Keep them away from your work area.</p> <p>Make your workshop childproof.</p> <p>Make sure there is nobody present in the dangerous area. The minimum safety distance is 2m</p> <p>Wear suitable work clot</p>



	<p>Danger! Risk of personal injury or environmental damage! Risk of electric shock! Risk of personal injury by electric shock!</p>
	<p>Alternating current</p>
	<p>Never grab into the running machine! Remove chips and workpiece parts only if the machine is standing still! Never stop workpieces with the hand during run out! Never take measurements on a rotating workpiece!</p>
	<p>Do not wear safety gloves!</p>
	<p>Warning- Be sure to wear ear protectors when using this product.</p>
	<p>Warning- Be sure to wear eye protectors when using this product.</p>
	<p>Warning- Be sure to wear dust masks when using this product.</p>
	<p>Wear suitable work clothes! Do not wear loose clothing or jewelry as they might get caught in moving parts and cause severe accidents! Wear a hair net if you have long hair. Loose objects can become entangled and cause serious injuries!</p>
	<p>Never leave the machine running unattended! Before leaving the working area switch the machine off and wait until the machine stops. Always disconnect the machine prior to any actions performed at the machine. Avoid unintentional starting Do not use the machine with damaged switch</p>

	<p>The plug of an electrical tool must strictly correspond to the socket. Do not use any adapters together with earthed electric tools</p>
	<p>Each time you work with an electrically operated machine, caution is advised! There is a risk of electric shock, fire, cutting injury;</p> <p>Protect the machine from dampness (causing a short circuit)</p> <p>Use power tools and machines never in the vicinity of flammable liquids and gases (danger of explosion)</p> <p>Check the cable regularly for damage</p> <p>Do not use the cable to carry the machine or to fix the work piece</p> <p>Protect the cable from heat, oil and sharp edges</p> <p>Avoid body contact with earthed</p>
	<p>Before start working remove any nails and other foreign bodies from the workpiece</p> <p>Keep any machine that is not being used out of reach of children</p>
	<p>This product is of protection class III.</p>
	<p>FCC statement:</p> <p>This device complies with Part 15 of the FCC Rules. Operation is subject to the following two conditions:(1)This device may not cause harmful interference, and (2)this device must accept any interference received, including interference that may cause undesired operation.</p>
	<p>Disposal information:</p> <p>This product is subject to the provision of European Directive 2012/19/EC. The symbol showing a wheeled bin crossed through indicates that the product requires separate refuse collection in the European Union. This applies to the product and all accessories marked with this symbol. Products marked as such may not be discarded with normal domestic waste, but must be taken to a collection point for recycling electrical and electronic devices</p>




WARNING: Read all safety warnings, instructions, illustrations and specifications provided with this machine. Failure to follow all instructions listed below may result in electric shock, fire and/or serious injury.

Save all warnings and instructions for future reference.

1. The machine tool should be used by experienced personnel. If you are not familiar with the operation process of the lathe, do not use the machine tool at will. Use the instructions before operating.
2. Before starting the machine tool, the safety cover should be in the correct position.
3. Before starting the machine tool, please check whether the tool rest wrench and chuck key are removed.
4. Prevent the machine from starting accidentally. Turn off the motor power before clamping the workpiece or tool.
5. Don't force cut. Cutting according to the set cutting speed, cutting depth and feed speed.
6. Use the right tools. Use the correct tool or workpiece for machining.
7. Keep the tool sharp and clean to ensure normal and safe operation. Lubricate and replace accessories regularly.
8. Before adjusting or repairing the machine, be sure to disconnect the power supply.
9. Please check the safety performance of the machine before starting it. Check the performance of all moving parts. All parts must be installed correctly. Damaged parts must be repaired promptly.
10. When the machine is running, the operator shall not leave.
11. Keep the working place clean, dirty working environment is easy to lead to accidents.
12. Do not use the machine in dangerous environment.
Do not work in damp places. Ensure that electrical components are protected from moisture. Keep good lighting.
13. Children are prohibited from entering the work site, and non-operating personnel should keep a safe distance from the work area.

14. To keep children out of the work area. The door should be locked when leaving the workshop.
15. Dress appropriately. Don't wear loose clothing, gloves, ties, rings, bracelets, jewelry, etc. To be on the safe side, For the sake of safety, wearing non-slip shoes. If you have long hair, please wear a work hat.
16. Wear protective glasses when operating.
17. Pay attention to where you stand and keep your balance at all times.
18. Do not place your hands near the moving parts of the machine.
19. Do not perform any setting operations while the machine is running.
20. Read and understand all warning signs posted on the machine.
21. This manual is intended only to familiarize customers with the operation of the machine and is not a training manual.
22. Please obey these warnings or serious injury may result.
23. The machine will produce some harmful chemicals in the work of dust, sawing, grinding and drilling produced by grinding. To reduce the harm of these chemicals, please work in a well-ventilated place and wear safety devices. Such as particulate filter masks.

Remaining risk factors

	W A R N I N G
	<ul style="list-style-type: none"> ● It is important to ensure that each machine has remaining risks. ● In the execution of all work (even the simplest) greatest attention is required. A safe working depends on you!

Even if the machine is used as required it is still impossible to eliminate certain residual risk factors totally. The following hazards may arise in connection with the machine's construction and design:

- Risk of injury to the hands / fingers by the rotating workpiece during operation.
- Risk of injury due to sharp edges of the workpiece, especially in non-fixed with a suitable tool / device workpiece.
- Risk of injury: hair and loose clothing, etc. can be captured and wound up! Safety regulations must be observed with regard to clothing.
- Risk of injury due to contacting with live electrical components.
- Risk of injury due to dust emissions, treated with harmful agents workpieces
- Risk of injury to the eye by flying debris, even with safety goggles.
- Risk of injury to the hearing by prolonged labor without hearing protection.

Kickback is a sudden reaction. This causes the ejection of the tool to the direction of the operator.

These risk factors can be minimized through obeying all security and operation instructions, proper machine maintenance, proficient and appropriate operation by persons with technical knowledge and experience.

TECHNICAL PARAMETER

Voltage	230 V / 50 Hz	110 V / 60 Hz
Motor power	350W	
Spindle speeds	885/1245/1715/2425RPM	
Max. turning diameter	Ø 350 mm	
Spindle diameter	Ø 22	
Spindle thread	M18	
Distance between centers	970mm	
Tailstock spindle travel	10 mm	
Taper in Tail stock Spindle	MT1	
Weight	N.W: 23Kg; G.W: 28.2Kg	
Package Size	1545×300×435mm	

The general information given in this specification is not binding.

Know Your Wood Lathe: (Fig. 1)

1. ON/OFF SWITCH

Device to turn the wood lathe power on or off.

2. BELT AND PULLEY COVER

Cover for belt and pulley. Open this cover to reach the belt and pulley when changing the speed of drive center.

3. DRIVE CENTER

Holds workpiece for turning jobs.

4. BED RAILS

Rails for moving tailstock and toolrest.

5. TOOL REST

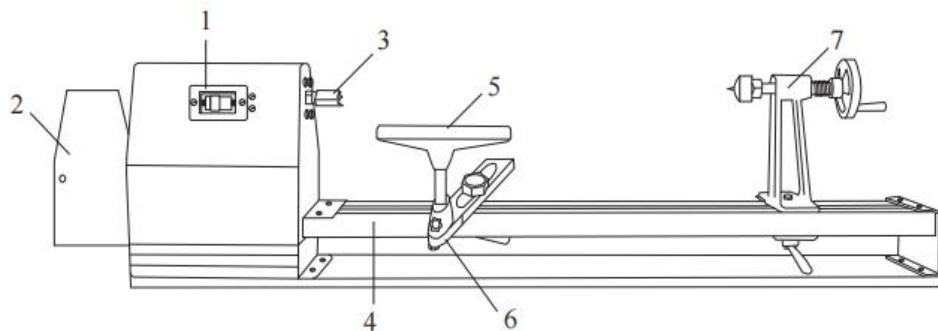
Stand holds tool when turning workpiece.

6. TOOL REST LOCK KNOB

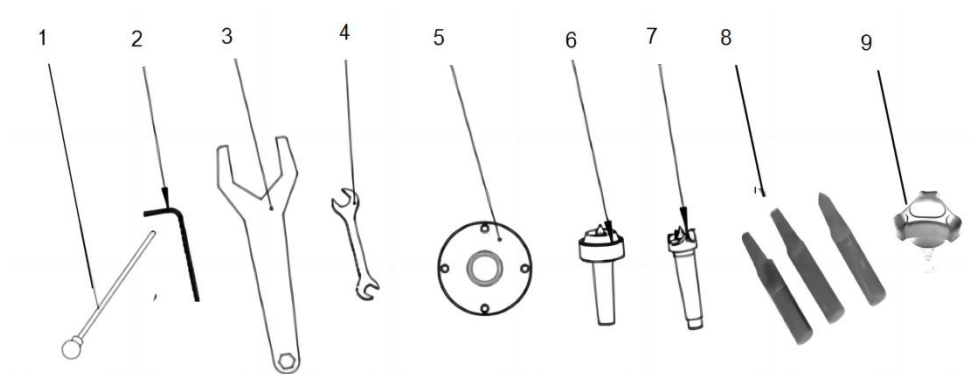
Lock knob for height adjustment of tool rest.

7. TAIL STOCK ASSEMBLY

Works with drive center to hold workpiece for turning jobs



Standard accessories



PART NO.	DESCRIPTION	QTY
1	Rod injection	1
2	Hex wrench S3	1
3	Wrench	1
4	Fork wrench	1
5	Face Plate	1
6	Living center	1
7	Spur center	1
8	Lathe tool rest	3
9	Plastic handle	1

INTENDED USE

The machine must only be used for its intended purpose! Any other use is deemed to be a case of misuse.

To use the machine properly you must also observe and follow all safety regulations, the assembly instructions, operating and maintenance instructions lay down in this manual.

All people who use and service the machine have to be acquainted with this manual and must be informed about the machine's potential hazards. It is also imperative to observe the accident prevention regulations in force in your area.

The same applies for the general rules of occupational health and safety.

The machine is used for: Turning wood.

Any manipulation of the machine or its parts is a misuse, in this case its sales partners cannot be made liable for ANY direct or indirect damage.

Even when the machine is used as prescribed it is still impossible to eliminate certain residual risk factors.



WARNING

- Use the machine never with defective or without mounted guard!
- The removal or modification of the safety components may result in damage to equipment and serious injury!

HIGHEST RISK OF INJURY!

Ambient conditions

The machine may be operated:

Humidity	Max. 70%
Temperature	+5°C to +40°C (+41°F to +104°F)

The machine shall not be operated outdoors or in wet or damp areas.
The machine shall not be operated in areas exposed to increased fire or explosion hazard.

Prohibited use

The operation of the machine outside the stated technical limits described in this manual is forbidden.

Operation of the machine function without emergency stop button or impeller box with open doors is prohibited.

The use of the machine not according with the required dimensions is forbidden.

The use of the machine not being suitable for the use of the machine and not being certified is forbidden.

The use of the machine for any purposes other than described in this user-manual is forbidden.

The unattended operation on the machine during the working process is forbidden!

It is not allowed to leave the immediate work area during the work is being performed.

UNPACKING AND CLEANING

1. Remove the woodworking lathe from the box
2. Check all the accessories of the machine tool according to the packing list.
3. Choose a location for the lathe that is dry, has good lighting and has enough room to be able to service the lathe on all four sides.
4. To avoid twisting the bed, the lathe's location must be absolutely flat and level. Bolt the lathe to the stand (if used).
5. Clean all rust protected surfaces using a mild commercial solvent, kerosene or diesel fuel. Do not use paint thinner, gasoline or lacquer thinner. These will damage painted surfaces. Cover all cleaned surfaces with a light film of 20W machine oil.

ASSEMBLY

Delivery content

Please check the product contents immediately after receipt for any eventual transport damage or missing parts. Claims from transport damage or missing parts must be placed immediately after initial machine receipt and unpacking before putting the machine into operation. Please understand that later claims cannot be accepted anymore.

Workplace requirements

The workplace has to fulfill the requirements.


The ground has to be even, in level and hard. It must be suitable at least to weight it with double weight per square meter than the machines net weight.

The chosen workplace must have access to a suitable electric supply net that complies with the machines requirements.

Transport

The machine can be transported in package with a forklift.


The machine is very heavy. The machine shall be lifted from crate with a suitable lifting device only that is certified to be able to carry the machines load.

	WARNING
	The lifting and transportation of the machine must only be carried out by qualified staff and must be carried out with appropriate equipment.


Preparation of the surface

Uncoated metal machine parts have been insulated with a greasy layer to inhibit corrosion.

This layer has to be removed. You can use standard solvents that do not damage the machine surface.

	NOTICE
	<ul style="list-style-type: none">● Do not use solvents based on nitrite, aggressive solvents like break cleaners or scrubbing agents!● These damage the machine surface.

Power supply

	ATTENTION
	<p>When working with non-grounded machines: Severe injury or even death may arise though electrocution! Therefore: The machine must be operated at a grounded power socket</p>

The connection of the machine to the electric power supply and the following checks have to be carried out by a respectively trained electrician only.

- a. The electronic connection of the machine is designated for operation with a grounded power socket!
- b. The mains supply must be secured with 16A:
- c. If the connector plug doesn't fit or if it is defect, only qualified electricians may modify or re-new it!

- d. The grounding wire should be held in green-yellow.
- e. A damaged cable has to be exchanged immediately!
- f. Check, whether the feeding voltage and the Hz comply to the required values of the machine. A deviation of feeding voltage of $\pm 5\%$ is allowed.
- g. After connecting, check the right running direction!
- h. Make sure that a possible extension cord is in good condition and suitable for the transmission of power. An undersized cord reduces the transmission of power and heats up.

OPERATING ADJUSTMENTS

ADJUSTING BELT TENSION

The lathe is packed with belt installed. However, it will need a adjustment prior to using.

1. Disconnect the lathe from power source.
2. Loosen and remove the hex bolt with adjustable wrench. (as figure 1)
3. Press down on the belt with hand. The belt should move 1/2" when set properly. (as figure 2)

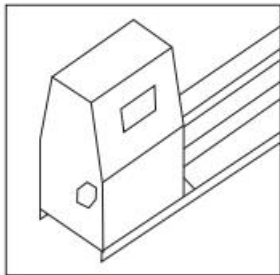


Figure 1

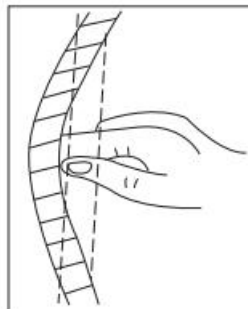


Figure 2

ADJUSTING SPEED

Four spindle speeds of 1100,1600,2300 and 3400 RPM (885, 1245, 1715, 2425) are available with lathe.Chart-1 illustrates which ster of the pullevs the belt must be placed to obtain four speed.Chart-2 illustrates the proper speeds for workpiece.

CHART-1

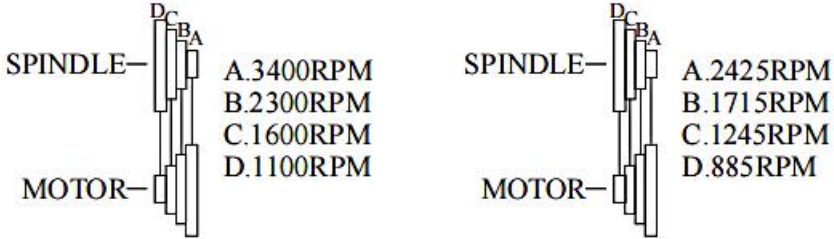
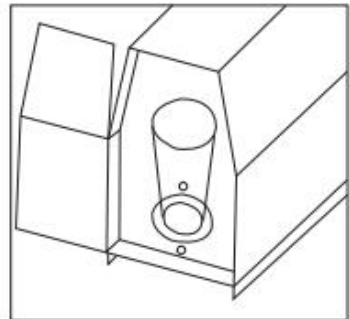


CHART-2

Roughing off	General cutting	Fine cutting	Finishing
1100RPM	1600RPM	2300RPM	3400RPM
885RPM	1245RPM	1715RPM	2425RPM

1. Disconnect the lathe from power source.
2. Open the belt and pulley cover.
3. Loosen the motor pulley by loosening the bolts with adjustable wrench(as figure)
4. Place"V"belt to correct position for desired speed.
5. Adjust "V"belt to proper tension and tighten the motor pulley.

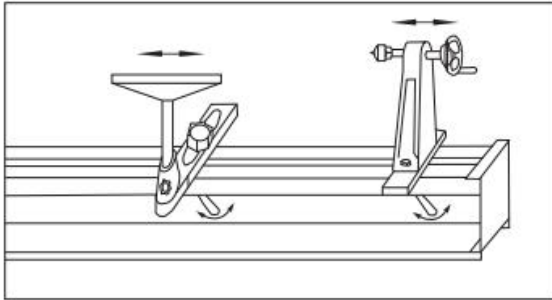
NOTE:For proper belt tension.press down on the belt with hand.The belt should move 1/2"when set properly



MOVING TAIL STOCK ASSWMBLY AND TOOL REST

The tail stock assembly and tool rest are held to the bed with lock handle right underneath the bed rails. To move them to new position:

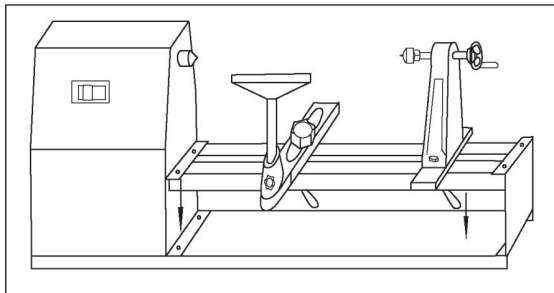
1. Disconnect the lathe from power source.
2. Loosen the lock handle with knob.
3. Slide the tail stock assembly or tool rest along the bed and retighten the lock handle. (as figure)



MOUNTING THE LATHE

The lathe must be mounted to firm supporting surface such as a stand or workbench when operating. To mount lathe:

1. Disconnect the lathe from power source.
2. Locate and mark where the lathe is to be mounted.(as figure)
3. Drill four(4) 5/16" diameter holes through work bench.
4. Place lathe on the workbench, aligning holes in bed with holes drilled in workbench.
5. Insert four bolts(sold separately) and tightened.



REMOVING TAIL STOCK SPINDLE

To remove the tail stock spindle from tail stock assembly:

1. Disconnect the lathe from power source.
2. Remove the hand wheel by loosening set screw with 1/8" hex wrench away from spindle.(as figure 1)
3. Unscrew tail stock spindle from tail stock assembly.(as figure 2)

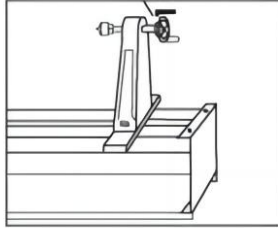


Figure 1

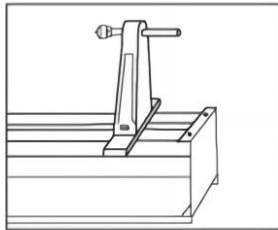


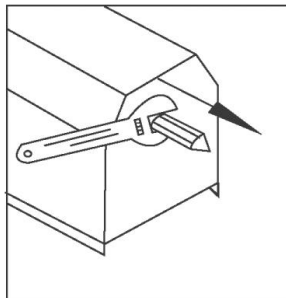
Figure 2

REMOVING DRIVE CENTER

Drive stock center must be removed to attach to stock when spindle turning. It also need to be removed when attaching faceplate for faceplate turning.

To remove drive center from driving spindle:

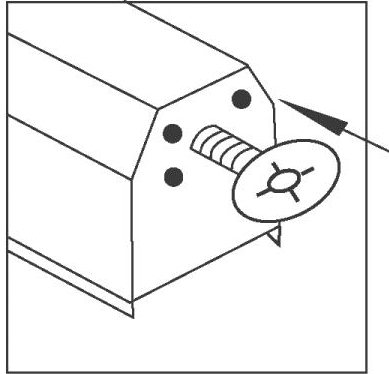
1. Disconnect the lathe from power source.
2. Use the wrench hold the flat neck of the driving spindle. then unscrew drive center counterwise.(as figure)



INSTALLING FACEPLATE

The faceplate is supplied with your lathe. To install the faceplate:

1. Disconnect the lathe from power source.
2. Remove drive center from driving spindle.
3. Align the center hole of faceplate to the thread of spindle.(as figure)
4. Screw faceplate into spindle.



ALIGNING CENTERS

If the centers are not in the lines, make the following adjustments:

1. Move the tail stock assembly close to the drive center assembly.(as figure 1)
2. Lock the tail stock assembly.
3. Loosen the four hex bolts around the drive center.(as figure 2)
4. Swing the drive center so that the two centers are in lines, then tighten the bolts.

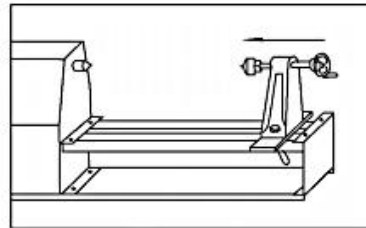


Figure 1

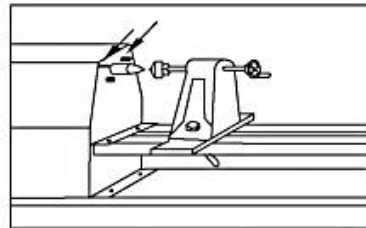


Figure 2

OPERATION

Device to be operated in a perfect state only. Inspect the device visually every time it is to be used. Check in particular the safety equipment, electrical controls, electric cables and screwed connection for damage and if tightened properly. Replace any damaged parts before operating the device.

SPINDLE TURNING

The following instruction will give a beginner a start on wood lathe operation. Use a piece of wood to check setting and to get the feel of the operations before attempting regular work.

WARNING Always keep hands away from Drive center or faceplate when the power is on.

1. Select a piece of wood.
2. Draw diagonal lines on end to locate center. (as figure 1)
3. On the end, make a saw cut approximately 1/16" deep on each diagonal line. This is for the drive center. A mini hacksaw is useful for this. The other end is for the tail stock center.
4. Use a wooden (rubber) mallet or plastic hammer, drive the tail stock center into the wood. Remove the tail stock center. (as figure 2)
5. Drive the drive center into the other end of the wood. Make sure the spurs are in the saw cuts. Remove the drive center.
6. Clean the centers, the thread of the driving spindle and the thread hole of the tail stock body. Install the drive center into the driving spindle and the tail stock center into the tail stock body.
7. Place the wood between the centers and lock the tail stock body.
8. Move the tail stock center into the wood by turning the hand wheel. Make sure that the driving center and drive center are "seated" into the wood in the holes made in step 4 and 5. Rotate the wood by hand while turning the hand wheel.
9. Adjust the tool rest approximately 1/8" away from the corners of the wood and 1/8" above the center line. Lock the tool rest base and tool

- rest.(as figure 3)
- 10.Rotate the wood by hand to make sure that the comers do not strike the tool rest.
 - 11.Review the speed setting suggested in the speed selection chart.
 - 12.Readjust frequently as in step 9 as the stock diameter is reduced.

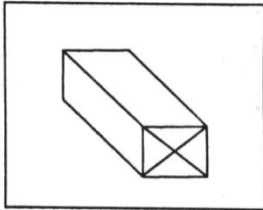


Figure 1

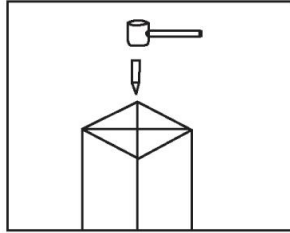


Figure 2

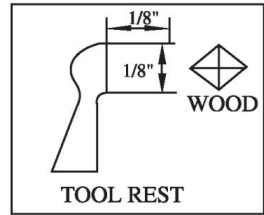


Figure 3

HAND POSITION

The position of your hands to the tool will be determined by the amount of leverage required.

The tool rest hand position is normally in a palm-up grip. The first finger acts as a guide, sliding along a tool rest as the cut is made. The palm-down grip can be utilized for heavy roughing applications. The heel of the hand or the little finger will serve as a guide.

ROUGHING A SPINDLE CYLINDER

The large gouge is used for this turning operation. Run the lathe at low speed for this operation. The cut should start about 2" from the end of the tail stock and will continue back toward the tail stock end. Each corresponding cut will take place about 3" to the left side of the first cut. This will continue until you reach a position 2" from the head stock center. You will then roll the gouge in the opposite direction, which will carry the cut to end of the spindle.

HOW TO USE A PARTING TOOL

The parting tool has one primary purpose: to cut straight into the work piece as deep as desired or all the way through to make a cut-off. It

is, therefore, a very narrow tool (1/8" wide) and is shaped to cut its own clearance so that the edge will not be burned. When used for scraping, however, it should be backed off regularly to prevent overheating. Unlike the gouge and skew, the parting tool is seldom held with the bevel against the work. As the amount of stock removed is small, a support for the bevel is not necessary. The tool is simply fed into the work at an angle (for cutting), or pointed at the work piece center (for scraping).

HOW TO USE A SKEW

This tool is nearly always used to make finished cuts, to cut vees and beads, or to square shoulders. Properly used, it produces the best finish that can be obtained with a chisel.

It should be used very little for scraping, as this quickly dulls it.

For finish cutting, the skew is held with the cutting edge considerably in advance of the handle, bevel side down. Keep the skew well over the work, pull it back until the edge begins to cut, then swing the handle into position to advance the cut. Both the toe and the heel of the skew can be used for taking light cuts. Do not penetrate the wood too deeply without cutting clearances, as there is danger of burning the tip of the tool.

CUTTING A SHOULDER

A shoulder can be the side of a square portion left in the work piece, the side of a turned section, or the end of work piece. Most shoulders are perpendicular to the work axis, but a shoulder can be at any angle. First, mark the position of the shoulder with a pencil held to revolving work piece. Then make a sizing cut via the parting tool, placing the cut about 1/16" outside the shoulder position. Cut to within 1/8" of the depth desired for the area outside the shoulder. If shoulder is shallow, the toe of the skew can be used to make the sizing cut. Do not go in deeper than 1/8" with the skew unless wider vees are cut to provide clearance for the tool. Use the gouge to remove any waste stock outside of the shoulder. Smooth the section up to within 1/8" of the shoulder. Unless it is more than 1" high, it is best done with the 1/2" skew. First, use the toe of the skew to remove the shavings from the side of the

shoulder down to the finished size. Hold the skew so the bottom edge of the bevel next to the shoulder will be very nearly parallel to the side of the shoulder. Make sure this is with the cutting edge turned away at the top, so that only the extreme toe will do the cutting. If the cutting edge is flat against the shoulder the chisel will run. Start with the handle low and then raise it to advance the toe into the work. Cut down to finished diameter of outside area, then clean out the corner by advancing the heel of the skew into it along the surface the outside area. Tilt the cutting edge, with the handle raised up, so that only the extreme heel does the cutting if the shoulder is at the end of work, process is called "squaring the end." In this case, reduce the outer portion to a diameter about 1/4" larger than the tool center diameter. Saw off the waste stock later.

CUTTING COVES

Use a pencil mark to indicate the edges. Then rough it out to within about 1/8" of the desired finish surface by scraping with the gouge or round nose chisel. If the cove is to be very wide, sizing cuts can be made to plot the roughing out. Once it is roughed out, the cove can be finished in two cuts; one from each side to the bottom center.

At the start of either cut, gouge is held with handle high and the two sides of blade held between the thumb and forefinger of the tool rest handle, just behind the bevel. Position the fingers ready to roll the blade into cove. Hold blade so that bevel is a 90 degree angle to the work axis, with point touching the pencil line and pointed into work axis.

From this start, depress point slightly to start cut, then continue to move point down in an arc toward the bottom center cove. At the same time, roll chisel uniformly so that, at the end of the cut, it will be flat at the bottom of the cove. The object is to keep the extreme point of the gouge doing the cutting from start to finish. Reverse movements to cut the opposite side.

CUTTING VEES

Vee grooves can be cut with either the toe or heel of the skew. When the toe is used, the cutting action is exactly the same as in trimming a shoulder, except that the skew is tilted to

cut at the required bevel. Light cuts should be taken on one side first, then the other, gradually enlarging the vee to the required depth and width. When the heel is used, the skew is rotated down into the work, using the tool rest as a pivot.

Otherwise, cutting position and sequence of cuts is the same. As when using the toe, it is important that cutting be done only by the extreme end of cutting edge. If deep vees are planned, it is quicker to start them by making a sizing cut at the center of each vee. Vees can also be scraped with the spear point chisel or a three-sided file.

LAYING OUT THE PROJECT

Make a layout first, to provide a visual pattern to follow while working the turning. The pattern can be laid out in the same manner as spindle patterns. Templates can be held against the work for visual comparison. Circles to locate the various critical points can be quickly scribed on the rotating work by using the dividers.

TURNING THE PROJECT

The first step is to remove as much wood as possible by boring into the center with the largest wood bit available. Be careful to measure in advance the depth to which the drill can be allowed to go.

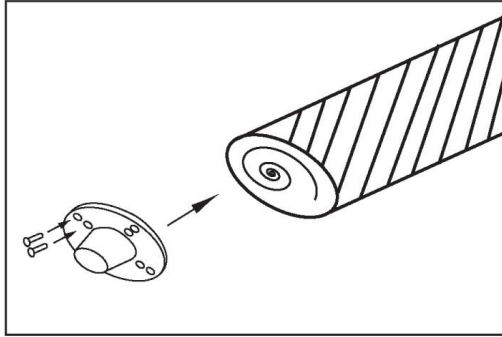
Next, remove the bulk of the waste by scraping with the round-nose scraper or the bowl gouge.

Remove up to within 1/8" of finished size in this manner. Finish off the inside circumference by scraping with the round nose or left round scraper.

Smooth the bottom of the recess by scraping it flat nose scraper. Always try to position the part of the tool rest that supports the tool as close to the working surface as possible.

MOUNTING WORKPIECE TO THE FACEPLATE

You can directly mount the faceplate to the workpiece by fastening four (or eight) wood screws (sold separately). This is an easy process that should be used whenever possible.




WARNING


Always make sure the workpiece is securely fastened to the faceplate or between centers. When faceplate is turning, always make sure the screw fasteners do not come in contact with the turning tool as work progresses

FACEPLATE TURNING

Turning which do not mount between centers require a faceplate for holding the workpiece. All workpiece of this type should slightly over-size to eliminate roughing cuts and vibration.

Operation instructions

	ATTENTION
	Never switch the machine on while pressing the chisel against the material!

	NOTICE
	<ul style="list-style-type: none">● Before switching the machine on, make sure that the tool rest is firmly tightened● Rotate the clamped workpiece each time before turning by hand to ensure that it runs freely and does not touch the rest tool!● Thereby check also whether the workpiece is centred and tighten clamped!● Make sure to guide and hold the chisel with both hands safe and tight during machining!● Work only with well sharpened tools!● Work large and unbalanced workpieces at low spindle speed only!● Specifications regarding the maximum or minimum size of the workpiece must be observed!● Workpieces with cracks may not be used!● Only process selected woods without defects!

Operation

On-Off-switch


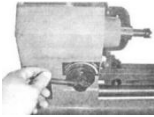
Switch on: Push the green button ("I") for 2 seconds. The machine begins to run.

Switch off: Push the red button ("0").


The machine does not stop immediately! Stay as long at the machine, until the workpiece is completely stopped (Do not stop the workpiece by hand!)

Speed adjustment



The speed can be set infinitely variable by turning the speed control lever.

NOTICE		
	<p>You must move the lever to the lowest speed setting before turning the switch ON/OFF, otherwise the motor may not start!</p>	

Tool rest

NOTICE		
	<p>The tool rest should be selected as close as possible to the workpiece! Height adjustment just below the centerline of the workpiece. Rotate the workpiece by hand and check that the workpiece can rotate freely before turning!</p>	

MAINTENANCE

ATTENTION		
	<p>Perform all maintenance machine settings with the machine being disconnected from the power supply! Serious injury due to unintentional or automatic activation of the machine!</p>	

The machine does not require extensive maintenance. If malfunctions and defects occur, let it be serviced by trained persons only.

Before first operation as well as later on every 100 operation hours you should lubricate all connecting parts (if required, remove beforehand with a brush all swarfs and dust).

Check regularly the condition of the security stickers. Replace them if required.

Check regularly the condition of the machine.

The good condition and perfect adjustment of the guiding rollers is essential for a smooth band guidance and a clean cut.

Store the machine in a closed, dry location.

NOTICE

Clean your machine regularly after every usage – it prolongs the machines lifespan and is a pre-requisite for a safe working environment.

Repair jobs shall be performed by respectively trained professionals only!

Maintenance plan

After each workshift:

Clean the machine and its parts with a strong jet of compressed air from wood dust and other material remains. Moving parts can also be cleaned with a brush or a soft brush. Apply a thin layer of lubricating oil to all moving parts of the machine.


After 50 hours of operation

Check the V-belts.

Determine for frayed belts cause. Check if uneven or rough surfaces and were built on the V-belt pulleys. Replace frayed or stretched belts!

Cleaning

After each workshift the machine has to be cleaned. Remove chips etc. with a suitable tool. Do not remove them by hand (cutting injury!). Remove dust as well.

NOTICE	
	<p>The usage of certain solutions containing ingredients damaging metal surfaces as well as the use of scrubbing agents will damage the machine surface!</p> <p>Clean the machine surface with a wet cloth soaked in a mild solution .</p>

Disposal

Do not dispose the machine in residual waste. Contact your local authorities for information regarding the available disposal options. When you buy at your local dealer for a replacement unit, the latter is obliged to exchange your old.

TROUBLE SHOOTING

BEFORE YOU START WORKING FOR THE ELIMINATION OF DEFECTS, DISCONNECT THE MACHINE FROM THE POWER SUPPLY.

Trouble	Possible cause	Solution
Noisy operation	<ul style="list-style-type: none"> a. Incorrect belt tension b. Loose pulley c. Loose bilt d. Bad bearing 	<ul style="list-style-type: none"> a. Adjust tension b. Tighten pulley c. Adjust belt tension d. Replace bearing
Motor won't start	<ul style="list-style-type: none"> a. Power supply b. Motor connection c. Switch connections d. Motor windings burned e. Bad switch 	<ul style="list-style-type: none"> a. Check power cord b. Check motor connections c. Check motor connections d. Replace motor e. Replace switch
Tool rest or tailstock difficult to move	<ul style="list-style-type: none"> a. Need Lubrication b. Bent bed rails c. Lock nut tightened 	<ul style="list-style-type: none"> a. Lubrication with light oil b. Straighten bed rails c. Loosen lock nut

MANY POTENTIAL SOURCES OF ERROR CAN BE CLEARED BY THE EXPERTLY CONNECTION TO THE ELECTRICITY GRID.

NOTICE

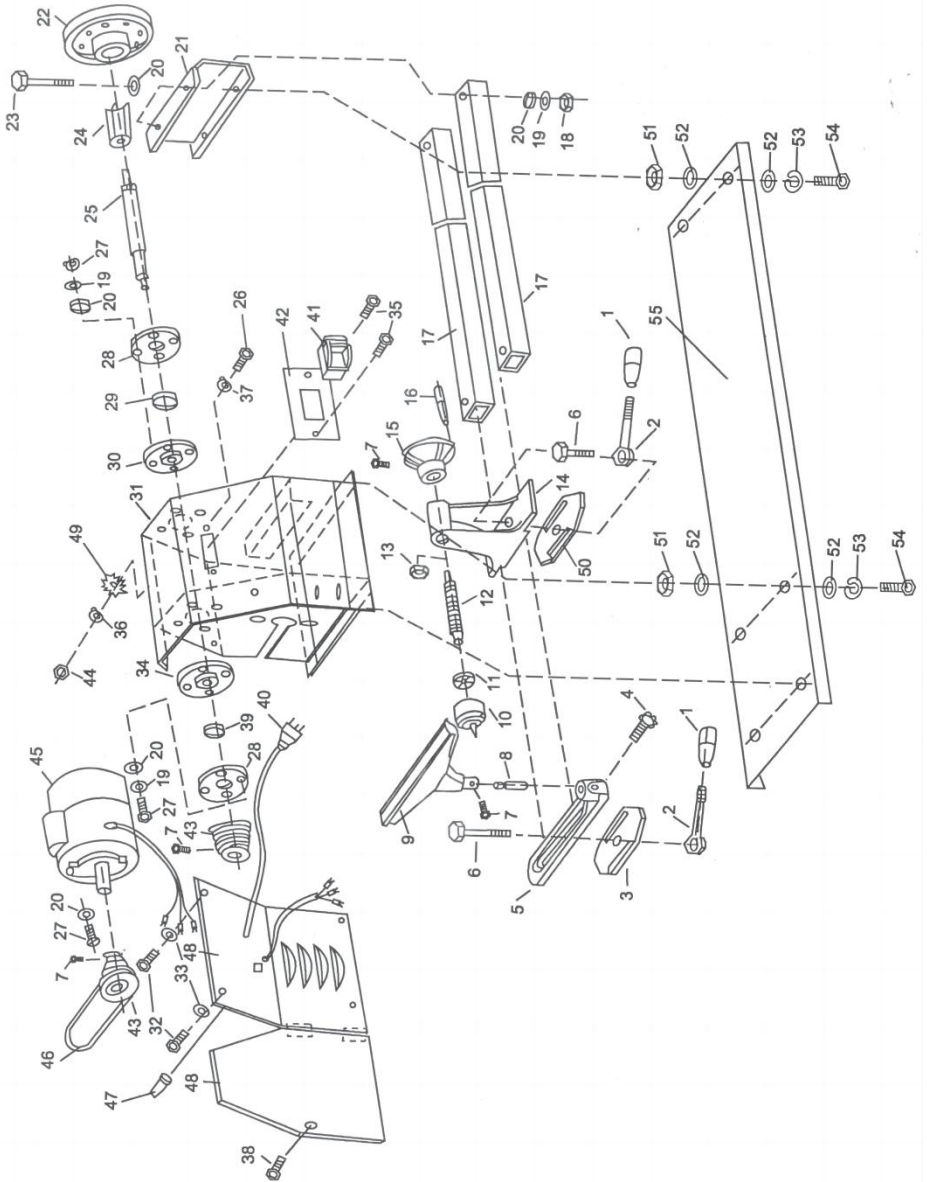


Should you in necessary repairs not able to properly to perform or you have not the prescribed training for it always attract a workshop to fix the problem.

EXPLOSIONSZEICHNUNG / EXPLOSION DRAWING

INDEX NO	DESCRIPTION	SIZE	QTY
1	Lock handle knob		2
2	Lock handle		2
3	Clamp		1
4	Lock knob		1
5	Tool rest holder		1
6	Bolt	(M14x70)	2
7	Bolt	(M6x10)	4
8	Support bar		1
9	Tool rest		1
10	Center		1
11	Bearing	6201	1
12	Tail stock spindle		1
13	Screw	(M18)	1
14	Tail stock		1
15	Hand wheel		1
16	Hand wheel bar		1
17	Bed rail		2
18	Nut	(M8)	4
19	Spring washer	8	12
20	Washer	8	18
21	Supporter		1
22	Face plate		1
23	Bolt	(M8x55)	4
24	Drive center		1
25	Driving spindle		1
26	Bolt	(M4x10)	2
27	Screw	(M8x16)	10
28	Bearing washer		2
29	Bearing	6204	1

INDEX NO	DESCRIPTION	SIZE	QTY
30	Bearing base		1
31	Cabinet		1
32	Bolt	(M5x12)	4
33	Washer	(5)	4
34	Bearing base		1
35	Blot	(M4x12)	2
36	Spring washer	(4)	2
37	Washer	(4)	2
38	Bolt	(M8x16)	1
39	Bearing	6203	1
40	Plug		1
41	Switch		1
42	Switch board		1
43	Belt wheel		2
44	Nut	(M4)	2
45	Motor		1
46	Triangle belt	(0500)	1
47	Bush		1
48	Belt and pulley cover		1
49	Bear washer	(4)	2
50	Clamp		1
51	Nut	(8)	6
52	Washer	(8)	12
53	Spring washer	(8)	6
54	Bolt	(M8x20)	6
55	Base plate		1



VEVOR[®]

TOUGH TOOLS, HALF PRICE

Technical Support and E-Warranty Certificate

www.vevor.com/support

VEVOR[®]

TOUGH TOOLS, HALF PRICE

Technique Certificat d'assistance et de garantie électronique

www.vevor.com/support

TOUR À BOIS

MANUEL D'INSTRUCTIONS

MODÈLE: MCS1000

We continue to be committed to provide you tools with competitive price.

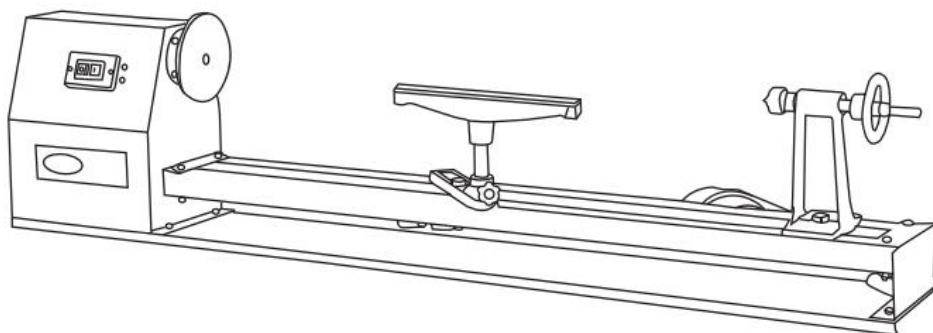
"Save Half", "Half Price" or any other similar expressions used by us only represents an estimate of savings you might benefit from buying certain tools with us compared to the major top brands and does not necessarily mean to cover all categories of tools offered by us. You are kindly reminded to verify carefully when you are placing an order with us if you are actually saving half in comparison with the top major brands.

VEVOR®

TOUGH TOOLS, HALF PRICE

WOOD LATHE

MODÈLE : MCS1000



NEED HELP? CONTACT US!

Have product questions? Need technical support? Please feel free to contact us:

Technical Support and E-Warranty Certificate
www.vevor.com/support

This is the original instruction, please read all manual instructions carefully before operating. VEVOR reserves a clear interpretation of our user manual. The appearance of the product shall be subject to the product you received. Please forgive us that we won't inform you again if there are any technology or software updates on our product.

MATTERS NEEDING ATTENTION

Les informations contenues dans ce manuel sont destinées à servir de guide pour l'utilisation de ces machines et ne font partie d'aucun contrat. Les données qu'il contient ont été obtenues auprès du fabricant de la machine et d'autres sources. Nous nous efforçons d'assurer l'exactitude de ces informations et essayons de vérifier chaque élément et chaque donnée, mais nous ne pouvons pas garantir l'exactitude totale des informations, ce qui signifie que l'équipement fourni peut différer dans les détails de la description des instructions. De plus, le développement de la machine peut signifier que l'équipement fourni peut différer dans les détails des descriptions du présent manuel. Il incombe donc à l'utilisateur de s'assurer que l'équipement ou le processus décrit est adapté à l'usage prévu.

QUALITY ASSURANCE




Nous mettrons tout en œuvre pour assurer la qualité de nos produits et nous promettons aux consommateurs que nous garantirons nos produits pendant un an, à l'exception des dommages aux machines causés par une mauvaise utilisation des clients et des accidents qui en résultent, ou de l'usure anormale et des dommages causés par un manque d'entretien. Afin de remplir l'engagement de garantie, le produit ou la pièce présentant des problèmes de qualité, veuillez nous le retourner pour vérification, port payé. Les marchandises renvoyées doivent être accompagnées d'une note de la date d'achat et d'une explication écrite de la qualité du produit. Après notre inspection et confirmation, nous réparerons ou remplacerons leurs produits, ou rembourserons le paiement. Si nous ne parvenons pas à fournir la réparation ou le remplacement en temps opportun, nous prendrons en charge les coûts résultant de la réparation ou du remplacement des produits. Si le dommage n'est pas dû à la qualité du produit, mais à une mauvaise utilisation de l'utilisateur ou à d'autres









raisons, le coût sera à la charge du client.






Notre société se réserve le droit d'apporter des modifications à cette spécification et aux spécifications du produit. Nous ferons des efforts continus pour améliorer la qualité de nos produits.


Tous droits réservés. Toute reproduction ou reproduction sans autorisation est interdite.

SAFETY WARNING

Symbole	Description du symbole
	Avertissement - Pour réduire le risque de blessure, l'utilisateur doit lire attentivement le manuel d'instructions.
	Ce symbole, placé avant un commentaire de sécurité, indique un type de précaution, d'avertissement ou de danger. Ignorer cet avertissement peut entraîner un accident. Pour réduire le risque de blessure, d'incendie ou d'électrocution, veuillez toujours suivre la recommandation ci-dessous.
	<p>Ne surchargez pas la machine Assure une bonne stabilité et maintient l'équilibre à tout moment Évitez les postures de travail anormales ! Veillez à vous tenir droit et à garder l'équilibre à tout moment.</p> <p>Restez toujours concentré lorsque vous travaillez. Réduisez les sources de distorsion dans votre environnement de travail. Il est interdit d'utiliser la machine en étant fatigué, ainsi que sous l'influence de l'alcool, de drogues ou de médicaments influençant la concentration.</p> <p>Ne montez pas sur la machine ! La machine doit être utilisée uniquement par des personnes formées (connaissance et compréhension de ce manuel), qui n'ont pas de limitations de motricité par rapport aux travailleurs conventionnels.</p> <p>Ne laissez pas d'autres personnes, en particulier les enfants, toucher la machine ou le câble. Tenez-les éloignés de votre zone</p>

	<p>de travail.</p> <p>Rendez votre atelier à l'épreuve des enfants.</p> <p>Assurez-vous que personne ne se trouve dans la zone dangereuse. La distance de sécurité minimale est de 2 m.</p> <p>Portez des vêtements de travail adaptés</p>
	<p>Danger!</p> <p>Risque de blessures corporelles ou de dommages environnementaux ! Risque de choc électrique ! Risque de blessures corporelles par choc électrique !</p>
	<p>Courant alternatif</p>
	<p>Ne jamais saisir la machine en marche !</p> <p>Ne retirez les copeaux et les morceaux de pièces que si la machine est à l'arrêt !</p> <p>Ne jamais arrêter les pièces à la main pendant la course !</p> <p>Ne jamais prendre de mesures sur une pièce en rotation !</p>
	<p>Ne portez pas de gants de sécurité !</p>
	<p>Avertissement – Assurez-vous de porter des protections auditives lorsque vous utilisez ce produit.</p>
	<p>Avertissement – Assurez-vous de porter des lunettes de protection lorsque vous utilisez ce produit.</p>
	<p>Avertissement – Assurez-vous de porter des masques anti-poussière lorsque vous utilisez ce produit.</p>
	<p>Portez des vêtements de travail adaptés ! Ne portez pas de vêtements amples ni de bijoux car ils pourraient se coincer dans les pièces mobiles et provoquer des accidents graves ! Portez un filet à cheveux si vous avez les cheveux longs.</p> <p>Les objets détachés peuvent s'emmêler et provoquer des blessures graves !</p>

	<p>Ne laissez jamais la machine en marche sans surveillance ! Avant de quitter la zone de travail, éteignez la machine et attendez qu'elle s'arrête. Débranchez toujours la machine avant toute intervention sur celle-ci. Eviter les démarrages involontaires N'utilisez pas la machine avec un interrupteur endommagé La fiche d'un outil électrique doit correspondre strictement à la prise. N'utilisez pas d'adaptateur avec des outils électriques reliés à la terre.</p>
	<p>Chaque fois que vous travaillez avec une machine électrique, soyez prudent ! Il existe un risque de choc électrique, d'incendie et de coupure. Protégez la machine de l'humidité (provoquant un court-circuit) N'utilisez jamais d'outils électriques et de machines à proximité de liquides et de gaz inflammables (risque d'explosion) Vérifiez régulièrement que le câble n'est pas endommagé. N'utilisez pas le câble pour transporter la machine ou pour fixer la pièce à usiner. Protégez le câble de la chaleur, de l'huile et des bords tranchants Évitez tout contact corporel avec la terre.</p>
	<p>Avant de commencer le travail, retirez les clous et autres corps étrangers de la pièce. Gardez toute machine non utilisée hors de portée des enfants</p>
	<p>Ce produit est de classe de protection III.</p>
	<p>Déclaration de la FCC : Cet appareil est conforme à la partie 15 des règles de la FCC. Son fonctionnement est soumis aux deux conditions suivantes : (1) Cet appareil ne doit pas provoquer d'interférences nuisibles et (2) Cet appareil doit accepter toute interférence reçue, y compris les interférences pouvant entraîner un fonctionnement</p>

	indésirable.
	<p>Informations sur l'élimination :</p> <p>Ce Le produit est soumis aux dispositions de la directive européenne 2012/19/CE. Le symbole représentant une poubelle à roulettes barrée indique que le produit doit faire l'objet d'une collecte sélective des déchets dans l'Union européenne. Cela s'applique au produit et à tous les accessoires marqués de ce symbole. Les produits marqués comme tels ne peuvent pas être jetés avec les déchets ménagers normaux, mais doivent être déposés dans un point de collecte pour le recyclage des appareils électriques et électroniques</p>



AVERTISSEMENT : Lisez tous les avertissements de sécurité, instructions, illustrations et spécifications fournis avec cette machine. Le non-respect de toutes les instructions répertoriées ci-dessous peut entraîner un choc électrique, un incendie et/ou des blessures graves.

Conservez tous les avertissements et instructions pour référence ultérieure.

1. La machine-outil doit être utilisée par un personnel expérimenté. Si vous n'êtes pas familier avec le processus de fonctionnement du tour, n'utilisez pas la machine-outil à volonté . Suivez les instructions avant de l'utiliser.
2. Avant de démarrer la machine-outil, le couvercle de sécurité doit être dans la bonne position.
3. Avant de démarrer la machine-outil, veuillez vérifier si la clé de support d'outil et la clé de mandrin sont retirées.
4. Empêchez la machine de démarrer accidentellement. Coupez l'alimentation du moteur avant de serrer la pièce ou l'outil.
5. Ne forcez pas la coupe. Coupez en fonction de la vitesse de coupe, de la profondeur de coupe et de la vitesse d'avance définies.

6. Utilisez les bons outils. Utilisez l'outil ou la pièce appropriée pour l'usinage.
7. Gardez l'outil bien aiguisé et propre pour garantir un fonctionnement normal et sûr. Lubrifiez et remplacez régulièrement les accessoires.
8. Avant de régler ou de réparer la machine, assurez-vous de débrancher l'alimentation électrique.
9. Veuillez vérifier les performances de sécurité de la machine avant de la démarrer.
Vérifiez le bon fonctionnement de toutes les pièces mobiles. Toutes les pièces doivent être installées correctement. Les pièces endommagées doivent être réparées rapidement.
10. Lorsque la machine est en marche, l'opérateur ne doit pas quitter la machine.
11. Gardez le lieu de travail propre, un environnement de travail sale est susceptible de provoquer des accidents.
12. N'utilisez pas la machine dans un environnement dangereux.
Ne pas travailler dans des endroits humides. Veiller à ce que les composants électriques soient protégés de l'humidité. Maintenir un bon éclairage.
13. Il est interdit aux enfants d'entrer sur le chantier et le personnel non opérateur doit se tenir à une distance de sécurité de la zone de travail.
14. Pour éloigner les enfants de la zone de travail, la porte doit être verrouillée lorsque vous quittez l'atelier.
15. Habillez-vous convenablement. Ne portez pas de vêtements amples, de gants, de cravates, de bagues, de bracelets, de bijoux, etc. Pour plus de sécurité, portez des chaussures antidérapantes. Si vous avez les cheveux longs, portez un chapeau de travail.
16. Portez des lunettes de protection pendant l'utilisation.
17. Faites attention à l'endroit où vous vous trouvez et gardez votre équilibre à tout moment.
18. Ne placez pas vos mains à proximité des pièces mobiles de la machine.
19. N'effectuez aucune opération de réglage pendant que la machine est

en marche.


20. Lisez et comprenez tous les panneaux d'avertissement affichés sur la machine.

21. Ce manuel est uniquement destiné à familiariser les clients avec le fonctionnement de la machine et ne constitue pas un manuel de formation.

22. Veuillez respecter ces avertissements, sinon des blessures graves pourraient survenir.

23. La machine produira des produits chimiques nocifs lors du travail de la poussière, du sciage, du meulage et du perçage produits par le meulage. Pour réduire les effets nocifs de ces produits chimiques, veuillez travailler dans un endroit bien ventilé et porter des dispositifs de sécurité, tels que des masques à filtre à particules.

Facteurs de risque restants

	AVERTISSEMENT
	<ul style="list-style-type: none">● Il est important de s'assurer que chaque machine présente des risques résiduels.● Lors de l'exécution de tous les travaux (même les plus simples), la plus grande attention est requise. Un travail en toute sécurité dépend de vous !

Même si la machine est utilisée conformément aux exigences, il est impossible d'éliminer totalement certains facteurs de risque résiduels. Les risques suivants peuvent survenir en raison de la construction et de la conception de la machine :

- Risque de blessure des mains/doigts par la pièce en rotation pendant le fonctionnement.
- Risque de blessure dû aux bords tranchants de la pièce, en particulier si la pièce n'est pas fixée avec un outil/dispositif approprié.

- Risque de blessure : les cheveux, les vêtements amples, etc. peuvent être happés et enroulés ! Les consignes de sécurité concernant les vêtements doivent être respectées.
- Risque de blessure dû au contact avec des composants électriques sous tension.
- Risque de blessure dû aux émissions de poussières, aux pièces traitées avec des agents nocifs
- Risque de blessure aux yeux par des débris volants, même avec des lunettes de sécurité.
- Risque de lésion de l'audition en cas de travail prolongé sans protection auditive.

Le rebond est une réaction soudaine qui provoque l'éjection de l'outil en direction de l'opérateur.

Ces facteurs de risque peuvent être minimisés en respectant toutes les consignes de sécurité et d'exploitation, en entretenant correctement la machine et en la faisant fonctionner de manière compétente et appropriée par des personnes possédant des connaissances techniques et de l'expérience.

TECHNICAL PARAMETER

Tension	230 V / 50 Hz	110 V / 60 Hz
Puissance du moteur	350 W	
Vitesses de broche	885/1245/1715/2425 tr/min	
Diamètre de tournage max .	Ø 350 mm	
Diamètre de la broche S	Ø 22	
Filetage de la broche	M18	
Distance entre les centres	970 mm	
Course de la broche Tailostock	10 mm	
Cône dans la broche de la contre-pointe	MT1	
Poids	Poids net : 23 kg ; Poids brut : 28,2 kg	
Taille du paquet	1545×300×435mm	

Les informations générales données dans cette spécification ne sont pas contractuelles.

Apprenez à connaître votre tour à bois : (Fig. 1)

1. INTERRUPTEUR MARCHE/ARRÊT

Dispositif permettant de mettre en marche ou d'éteindre le tour à bois.

2. COUVERCLE DE COURROIE ET DE POULIE

Couvercle pour courroie et poulie. Ouvrir ce couvercle pour accéder à la courroie et à la poulie lors du changement de vitesse du centre d'entraînement.

3. CENTRE D'ENTRAÎNEMENT

Maintient la pièce à usiner pour les travaux de tournage.

4. BARRE DE LIT

Rails pour déplacer la contre-pointe et le porte-outil.

5. SUPPORT D'OUTIL

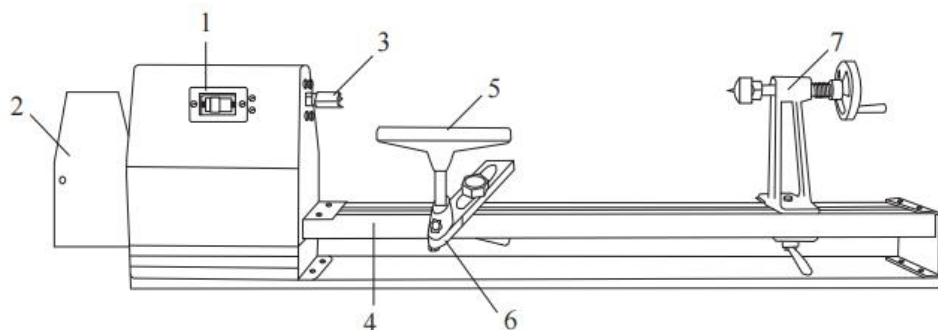
Le support maintient l'outil lors du tournage de la pièce.

6. BOUTON DE VERROUILLAGE DU SUPPORT D'OUTIL

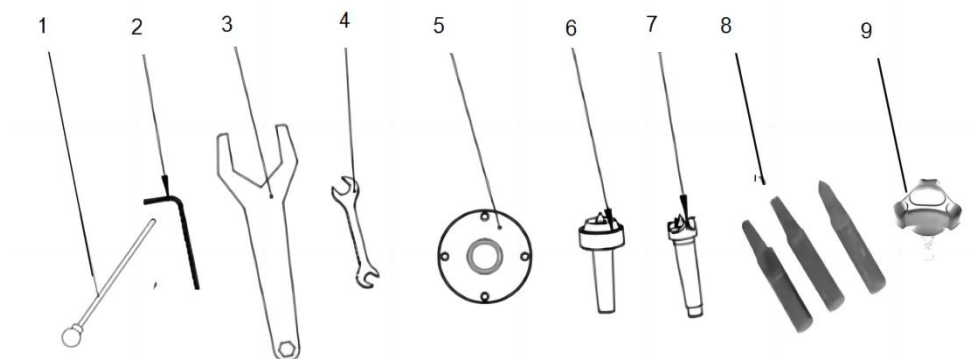
Bouton de verrouillage pour le réglage de la hauteur du porte-outil.

7. ASSEMBLAGE DE LA POUPÉE CONTRE-POINTE

Fonctionne avec le centre d'entraînement pour maintenir la pièce à usiner pour les travaux de tournage



Accessoires standards



PIÈCE N°	DESCRIPTION	Qté
1	Injection de tige	1
2	Clé Allen S3	1
3	Clé	1
4	Clé à fourche	1
5	Plaque frontale	1
6	Centre de vie	1
7	Centre d'éperons	1
8	Porte-outil pour tour	3

INTENDED USE

La machine ne doit être utilisée que conformément à l'usage prévu ! Toute autre utilisation est considérée comme une utilisation abusive.

Pour utiliser correctement la machine, vous devez également respecter et suivre toutes les consignes de sécurité, les instructions de montage, d'utilisation et d'entretien contenues dans ce manuel.

Toutes les personnes qui utilisent et entretiennent la machine doivent connaître ce manuel et doivent être informées des dangers potentiels de la machine.

Il est également impératif de respecter les règles de prévention des accidents en vigueur dans votre région.

Il en va de même pour les règles générales de sécurité et de santé au travail.

La machine est utilisée pour : Tourner le bois.

Toute manipulation de la machine ou de ses pièces constitue une mauvaise utilisation, dans ce cas ses partenaires commerciaux ne pourront être tenus responsables d'AUCUN dommage direct ou indirect.

Même lorsque la machine est utilisée conformément aux prescriptions, il est impossible d'éliminer certains facteurs de risque résiduels.



AVERTISSEMENT

- **N'utilisez jamais la machine avec un dispositif de protection défectueux ou sans protection montée !**
- **Le retrait ou la modification des composants de sécurité peut entraîner des dommages matériels et des blessures graves !**

Conditions ambiantes

La machine peut être utilisée :

Humidité	Max . 70%
Température	+5°C à +40°C (+41°F à +104°F)

La machine ne doit pas être utilisée à l'extérieur ou dans des zones humides ou mouillées.

La machine ne doit pas être utilisée dans des zones exposées à un risque accru d'incendie ou d'explosion.

Utilisation interdite

L'utilisation de la machine en dehors des limites techniques décrites dans ce manuel est interdite.

Le fonctionnement de la machine sans bouton d'arrêt d'urgence ou boîtier de turbine avec portes ouvertes est interdit.

L'utilisation de la machine non conforme aux dimensions requises est interdite.

L'utilisation de la machine n'étant pas adaptée à l'usage de la machine et n'étant pas certifiée est interdite.

L'utilisation de la machine à d'autres fins que celles décrites dans ce manuel d'utilisation est interdite.

Il est interdit de faire fonctionner la machine sans surveillance pendant le processus de travail !

Il n'est pas permis de quitter la zone de travail immédiate pendant l'exécution des travaux.

UNPACKING AND CLEANING

1. Retirez le tour à bois de la boîte
2. Vérifiez tous les accessoires de la machine-outil selon la liste de colisage.
3. Choisissez un emplacement pour le tour qui soit sec, bien éclairé et doté de suffisamment d'espace pour pouvoir entretenir le tour sur les quatre côtés.
4. Pour éviter de tordre le banc, le tour doit être posé à plat et de niveau. Fixez le tour au support (si utilisé).
5. Nettoyez toutes les surfaces protégées contre la rouille à l'aide d'un solvant doux du commerce, de kérosène ou de carburant diesel. N'utilisez pas de diluant à peinture, d'essence ou de diluant à laque. Ceux-ci endommageront les surfaces peintes. Couvrez toutes les surfaces nettoyées d'une légère couche d'huile pour machine 20W.

ASSEMBLY

Contenu de la livraison

Veillez vérifier immédiatement le contenu du produit après réception pour déceler d'éventuels dommages dus au transport ou pièces manquantes. Les réclamations pour dommages dus au transport ou pièces manquantes doivent être formulées immédiatement après la réception initiale de la machine et le déballage avant la mise en service de la machine. Veuillez comprendre que les réclamations ultérieures ne seront plus acceptées.

Exigences relatives au lieu de travail

Le lieu de travail doit répondre aux exigences.

Le sol doit être plat, nivelé et dur. Il doit pouvoir être lesté au moins avec un poids au mètre carré double du poids net de la machine.

Le lieu de travail choisi doit disposer d'un réseau d'alimentation électrique adapté et conforme aux exigences des machines.

Transport

La machine peut être transportée en colis avec un chariot élévateur.

La machine est très lourde. La machine doit être soulevée de la caisse uniquement à l'aide d'un dispositif de levage approprié et certifié capable de supporter la charge de la machine.



AVERTISSEMENT

Le levage et le transport de la machine doivent être effectués uniquement par du personnel qualifié et doivent être effectués avec un équipement approprié .

Préparation de la surface

Les pièces métalliques non revêtues des machines ont été isolées avec une couche grasse pour empêcher la corrosion.

Cette couche doit être éliminée. Vous pouvez utiliser des solvants courants qui n'endommagent pas la surface de la machine.



AVIS

- **N'utilisez pas de solvants à base de nitrites, de solvants agressifs comme des nettoyeurs pour freins ou des agents de récurage !**
- **Ils endommagent la surface de la machine.**

Alimentation électrique



ATTENTION

**Lors de travaux avec des machines non reliées à la terre :
Des blessures graves, voire la mort, peuvent survenir en cas d'électrocution !**

Par conséquent : La machine doit être utilisée sur une prise de

courant reliée à la terre

Le raccordement de la machine au réseau électrique ainsi que les contrôles qui en découlent doivent être effectués uniquement par un électricien qualifié.

- i. Le raccordement électronique de la machine est prévu pour fonctionner avec une prise de courant reliée à la terre !
- j. L'alimentation secteur doit être sécurisée avec 16A :
- k. Si la fiche du connecteur ne convient pas ou est défectueuse, seuls des électriciens qualifiés peuvent la modifier ou la remplacer !
- l. Le fil de terre doit être maintenu en vert-jaune.
- m. Un câble endommagé doit être remplacé immédiatement !
- n. Vérifiez si la tension d'alimentation et le Hz correspondent aux valeurs requises de la machine. Un écart de tension d'alimentation de $\pm 5\%$ est autorisé.
- o. Après la connexion, vérifiez le bon sens de marche !
- p. Assurez-vous qu'une éventuelle rallonge est en bon état et adaptée à la transmission de puissance. Un cordon sous-dimensionné réduit la transmission de puissance et chauffe.

OPERATING ADJUSTMENTS

RÉGLAGE DE LA TENSION DE LA COURROIE

Le tour est livré avec la courroie installée. Cependant, il faudra procéder à un réglage avant de l'utiliser.

1. Débranchez le tour de la source d'alimentation.
2. Desserrez et retirez le boulon hexagonal avec une clé à molette.
(comme sur la figure 1)
3. Appuyez sur la courroie avec la main. La courroie doit se déplacer de 1/2" lorsqu'elle est correctement réglée. (comme sur la figure 2)

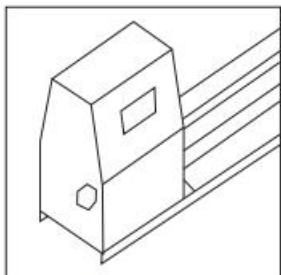


Figure 1

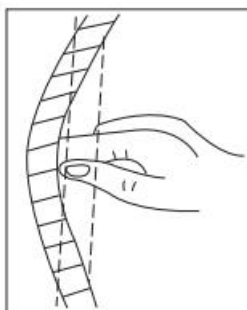
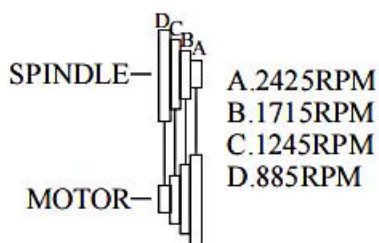
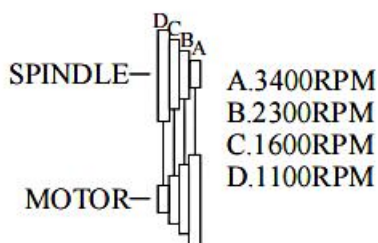


Figure 2

RÉGLAGE DE LA VITESSE

Quatre vitesses de broche de 1100, 1600, 2300 et 3400 tr/min (885 , 1245 , 1715 , 2425) sont disponibles avec le tour. Le tableau 1 illustre sur quel côté de la poulie la courroie doit être placée pour obtenir quatre vitesses. Le tableau 2 illustre les vitesses appropriées pour la pièce.

GRAPHIQUE-1

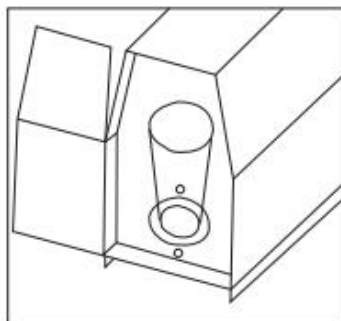


GRAPHIQUE-2

Roughing off	General cutting	Fine cutting	Finishing
1100RPM	1600RPM	2300RPM	3400RPM
885RPM	1245RPM	1715RPM	2425RPM

- Débranchez le tour de la source d'alimentation.
- Ouvrez le couvercle de la courroie et de la poulie.
- Desserrez la poulie du moteur en desserrant les boulons avec une clé à molette (comme sur la figure)
- Placez la courroie en « V » dans la position correcte pour la vitesse souhaitée.
- Réglez la courroie trapézoïdale à la bonne tension et serrez la poulie du moteur.

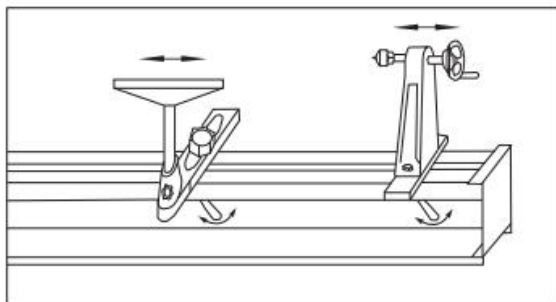
REMARQUE : pour une tension correcte de la courroie, appuyez sur la courroie avec la main. La courroie doit se déplacer de 1/2 po lorsqu'elle est correctement réglée.



ENSEMBLE DE POUPÉE MOBILE ET SUPPORT D'OUTIL

L'ensemble de la contre-pointe et le porte-outil sont maintenus sur le lit par une poignée de verrouillage juste en dessous des rails du lit. Pour les déplacer vers une nouvelle position :

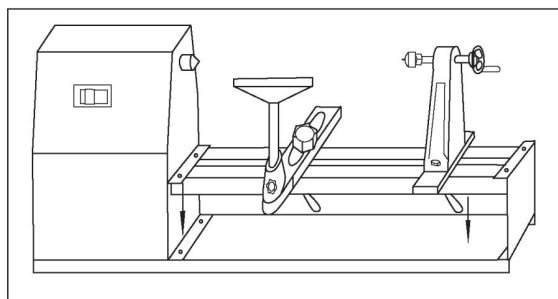
- Débranchez le tour de la source d'alimentation.
- Desserrez la poignée de verrouillage avec le bouton.
- Faites glisser l'ensemble de la contre-pointe ou le porte-outil le long du lit et resserrez la poignée de verrouillage. (comme sur la figure)



MONTAGE DU TOUR

Le tour doit être monté sur une surface de support solide telle qu'un support ou établi pendant le fonctionnement. Pour monter le tour :

1. Débranchez le tour de la source d'alimentation.
2. Localisez et marquez l'endroit où le tour doit être monté (comme sur la figure).
3. Percez quatre (4) trous de 5/16 po de diamètre à travers l'établi.
4. Placez le tour sur l'établi, en alignant les trous du lit avec les trous percés dans établi.
5. Insérez quatre boulons (vendus séparément) et serrez-les.



DÉMONTAGE DE LA BROCHE DE LA POUPÉE CONTRE

Pour retirer l'axe de la contre-pointe de l'ensemble de la contre-pointe :

1. Débranchez le tour de la source d'alimentation.
2. Retirez le volant en desserrant la vis de réglage avec une clé hexagonale de 1/8 po à l'écart de la broche (comme sur la figure 1).
3. Dévissez l'axe de la contre-pointe de l'ensemble de la contre-pointe

(comme sur la figure 2).

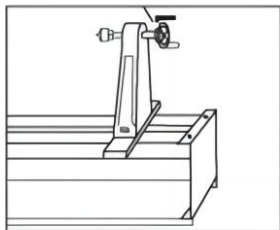


Figure 1

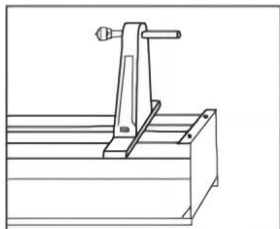
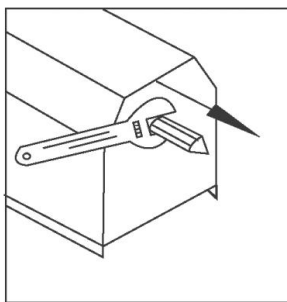


Figure 2

DÉMONTAGE DU CENTRE D'ENTRAÎNEMENT

Le centre de la pièce d'entraînement doit être retiré pour pouvoir être fixé à la pièce lors du tournage de la broche. Il doit également être retiré lors de la fixation de la plaque frontale pour le tournage de la plaque frontale. Pour retirer le centre d'entraînement de la broche d'entraînement :

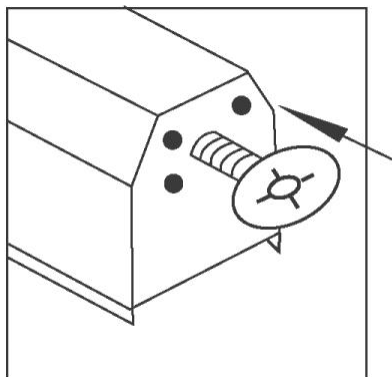
1. Débranchez le tour de la source d'alimentation.
2. Utilisez la clé pour maintenir le col plat de la broche d'entraînement, puis dévissez le centre d'entraînement dans le sens inverse des aiguilles d'une montre (comme sur la figure).



INSTALLATION DE LA PLAQUE FRONTALE

La plaque frontale est fournie avec votre tour. Pour installer la plaque frontale :

1. Débranchez le tour de la source d'alimentation.
2. Retirez le centre d'entraînement de la broche d'entraînement.
3. Alignez le trou central de la plaque frontale sur le filetage de la broche (comme sur la figure).
4. Vissez la plaque frontale sur la broche.



ALIGNEMENT DES CENTRES

Si les centres ne sont pas dans les lignes, effectuez les ajustements suivants :

1. Déplacez l'ensemble de la contre-pointe à proximité de l'ensemble du centre d'entraînement (comme sur la figure 1).

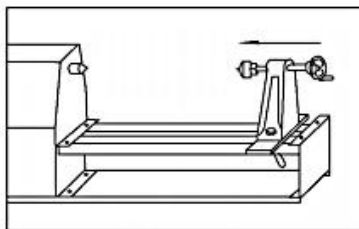


Figure 1

2. Verrouillez l'assemblage de la contre-pointe.

3. Desserrez les quatre boulons hexagonaux autour du centre d'entraînement (comme sur la figure 2).

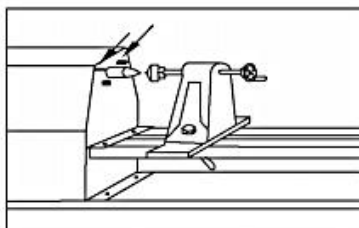


Figure 2

4. Faites pivoter le centre d'entraînement de sorte que les deux centres soient alignés, puis serrez les boulons.

OPERATION

L'appareil ne doit être utilisé qu'en parfait état. Inspectez visuellement l'appareil avant chaque utilisation. Vérifiez en particulier que les dispositifs de sécurité, les commandes électriques, les câbles électriques et les raccords vissés ne sont pas endommagés et qu'ils sont correctement serrés. Remplacez les pièces endommagées avant d'utiliser l'appareil.

TOURNAGE DE BROCHE

Les instructions suivantes permettront à un débutant de s'initier au fonctionnement d'un tour à bois. Utilisez un morceau de bois pour vérifier le réglage et vous familiariser avec les opérations avant de tenter un travail régulier.

AVERTISSEMENT Gardez toujours les mains éloignées du centre d'entraînement ou de la plaque frontale lorsque l'appareil est sous tension.

1. Sélectionnez un morceau de bois.
2. Tracez des lignes diagonales sur la tête pour localiser le centre. (comme sur la figure 1)
3. À l'extrémité, faites une coupe à la scie d'environ 1/16" de profondeur sur chaque ligne diagonale. Ceci est pour le centre d'entraînement. Une mini scie à métaux est utile pour cela. L'autre extrémité est pour le centre de la contre-pointe.
4. Utilisez un maillet en bois (en caoutchouc) ou un marteau en plastique, enfoncez le centre de la contre-pointe dans le bois. Retirez le centre de la contre-pointe (comme sur la figure 2).
5. Enfoncez le centre d'entraînement dans l'autre extrémité du bois. Assurez-vous que les éperons se trouvent dans les coupes de scie. Retirez le centre d'entraînement.
6. Nettoyez les centres, le filetage de la broche d'entraînement et le trou

- fileté du corps de la contre-pointe. Installez le centre d'entraînement dans la broche d'entraînement et le centre de la contre-pointe dans le corps de la contre-pointe.
7. Placez le bois entre les centres et verrouillez le corps de la contre-pointe.
 8. Déplacez le centre de la contre-pointe dans le bois en tournant le volant. Assurez-vous que le centre d'entraînement et le centre d'entraînement sont « installés » dans le bois dans les trous réalisés aux étapes 4 et 5. Faites tourner le bois à la main tout en tournant le volant.
 9. Réglez le porte-outil à environ 1/8" des coins du bois et à 1/8" au-dessus de la ligne centrale. Verrouillez la base du porte-outil et le porte-outil (comme sur la figure 3).
 10. Faites tourner le bois à la main pour vous assurer que les coins ne heurtent pas le porte-outil.
 11. Vérifiez le réglage de vitesse suggéré dans le tableau de sélection de vitesse.
 12. Réajustez fréquemment comme à l'étape 9 à mesure que le diamètre du stock diminue.

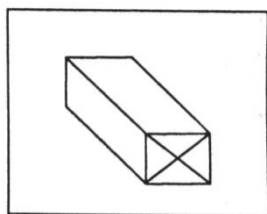


Figure 1

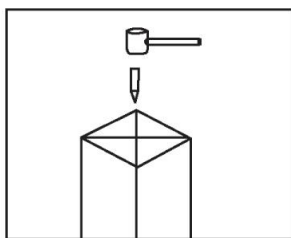


Figure 2

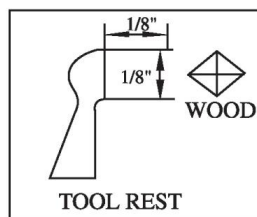


Figure 3

POSITION DES MAINS

La position de vos mains par rapport à l'outil sera déterminée par la quantité de levier requise.

La position de la main du repose-outil est normalement dans une prise paume vers le haut. Le premier doigt agit comme un guide, glissant le long d'un repose-outil pendant la coupe. La prise paume vers le bas peut être utilisée pour les applications d'ébauche lourdes. Le talon de la main ou le

petit doigt servira de guide.

Ébauche d'un cylindre de broche

La grande gouge est utilisée pour cette opération de tournage. Faites fonctionner le tour à basse vitesse pour cette opération. La coupe doit commencer à environ 2 pouces de l'extrémité de la contre-pointe et se poursuivra vers l'extrémité de la contre-pointe. Chaque coupe correspondante aura lieu à environ 3" du côté gauche de la première coupe. Cela continuera jusqu'à ce que vous atteigniez une position à 2" du centre de la tête. Vous ferez ensuite rouler la gouge dans la direction opposée, ce qui portera la coupe jusqu'à l'extrémité de la broche.

COMMENT UTILISER UN OUTIL DE SÉPARATION

L'outil de séparation a un objectif principal : couper directement dans la pièce à usiner aussi profondément que souhaité ou jusqu'au bout pour réaliser une découpe. Il s'agit donc d'un outil très étroit (1/8" de large) et sa forme lui permet de couper son propre espace libre afin que le bord ne soit pas brûlé. Lorsqu'il est utilisé pour gratter, cependant, il doit être reculé régulièrement pour éviter la surchauffe. Contrairement à la gouge et à la règle oblique, l'outil de séparation est rarement tenu avec le biseau contre la pièce. Comme la quantité de stock retirée est faible, un support pour le biseau n'est pas nécessaire. L'outil est simplement introduit dans la pièce à travailler selon un angle (pour la coupe) , ou pointé vers le centre de la pièce (pour gratter).

COMMENT UTILISER UN SKEW

Cet outil est presque toujours utilisé pour réaliser des coupes finies, pour couper des V et des perles ou pour équarrir des épaules. Correctement utilisé, il produit la meilleure finition qui puisse être obtenue avec un ciseau.

Il devrait être utilisé très peu pour gratter, car cela l'émousse rapidement. Pour la coupe de finition, la broche est maintenue avec le tranchant bien en avant du manche, côté biseauté vers le bas. Gardez bien l'inclinaison au dessus du travail, tirez-le vers l'arrière jusqu'à ce que le bord

commence à couper, puis faites pivoter la poignée en position pour faire avancer la coupe. La pointe et le talon de la fraise peuvent être utilisés pour effectuer des coupes légères. Ne pas pénétrer le bois trop profondément sans couper autorisations, car il y a un risque de brûler la pointe de l'outil.

COUPER UNE ÉPAULE

Un épaulement peut être le côté d'une partie carrée laissée dans la pièce, le côté d'une section tournée, ou la fin de la pièce. La plupart des épaulements sont perpendiculaires à l'axe de travail, mais une épaulement peut être à n'importe quel angle.

D'abord, marquez la position de l'épaulement avec un crayon tenu sur la pièce tournante. Effectuez ensuite une coupe de dimensionnement à l'aide de l'outil de séparation, en plaçant la coupe à environ 1/16" à l'extérieur de la position de l'épaulement. Couper à 1/8" près de la profondeur souhaitée pour la zone à l'extérieur de l'épaulement. Si l'épaulement est peu profond, la pointe de la broche oblique peut être utilisée pour effectuer la coupe de dimensionnement. N'allez pas plus loin que 1/8" avec la broche oblique, à moins que des V plus larges ne soient coupés pour fournir un espace libre à l'outil.

Utilisez la gouge pour retirer tout déchet de stock à l'extérieur de l'épaulement. Lissez la section jusqu'à 1/8" de l'épaulement. À moins qu'elle ne mesure plus de 1" de haut, il est préférable de le faire avec un biais de 1/2".

D'abord, utilisez la pointe de la fraise pour retirer les copeaux du côté de l'épaulement jusqu'à la taille finale. Maintenez le biseau de manière à ce que le bord inférieur du biseau à côté de l'épaulement soit presque parallèle au côté de l'épaulement. Assurez-vous que le tranchant est tourné vers le haut, de sorte que seul l'orteil extrême effectuera la coupe. Si le tranchant est à plat contre l'épaulement, le ciseau fonctionnera. Commencez avec la poignée basse, puis relevez-la pour faire avancer l'orteil dans l'ouvrage. Coupez jusqu'au diamètre fini de la zone extérieure, puis nettoyez le coin en avançant le talon de l'inclinaison dans celui-ci le long de la surface de la zone extérieure. Inclinez le tranchant, avec la poignée relevée, de sorte

que seul le talon extrême effectue la coupe si l'épaulement est en fin de travail, Ce processus est appelé « aquaring the end ». Dans ce cas, réduire la partie extérieure à un diamètre d'environ 1/4" plus grand que le centre de l'outil diamètre. J'ai scié les déchets plus tard.

COUPER DES CRIQUES

Utilisez une marque de crayon pour indiquer les bords. Ensuite, ébauchez-le jusqu'à environ 1/8" de la surface de finition souhaitée en grattant avec la gouge ou le ciseau à bec rond. Si la crique doit être très large, des coupes de dimensionnement peuvent être effectuées pour tracer l'ébauche. Une fois l'ébauche réalisée, la crique peut être finie en deux coupes; un de chaque côté jusqu'en bas au centre.

Au début de chaque coupe, la gouge est tenue avec le manche haut et les deux côtés de la lame sont maintenus entre le pouce et l'index du manche du repose-outil. juste derrière le biseau. Positionnez les doigts prêts à enrouler la lame dans la crique. Tenez la lame de manière à ce que le biseau soit à un angle de 90 degrés par rapport à l'axe de travail. avec la pointe touchant la ligne du crayon et pointée vers l'axe de travail.

À partir de ce début, appuyez légèrement sur la pointe pour commencer la coupe, puis continuez à déplacer la pointe vers le bas et vers la crique centrale inférieure. En même temps, ciseau à péage uniformément de sorte que, à la fin de la coupe, il sera plat au fond de la crique. Le but est de maintenir la pointe extrême de la gouge effectuant la coupe du début à la fin. Inversez les mouvements pour couper le côté opposé.

COUPE DE V

Les rainures en V peuvent être coupées avec la pointe ou le talon de la fraise. Lorsque la pointe est utilisée, l'action de coupe est exactement la même que pour tailler une épaulement, sauf que le biais est incliné vers couper au biseau requis. Les coupes légères doivent d'abord être effectuées sur un côté, puis l'autre, en élargissant progressivement le V jusqu'à la profondeur et la largeur requises.

Lorsque le talon est utilisé, la pièce est tournée vers le bas dans la pièce, en utilisant le repose-outil comme pivot.

Sinon, la position de coupe et la séquence de coupes sont les mêmes. Comme lors de l'utilisation de la pointe, il est important que la coupe soit effectuée uniquement par l'extrémité du tranchant. Si des V profonds sont prévus, il est plus rapide de les démarrer en faisant une coupe de calibrage au centre de chaque V. Les Vés peuvent également être grattés avec le ciseau à pointe de lance ou une lime à trois côtés.

ÉLABORATION DU PROJET

Créez d'abord une mise en page pour fournir un modèle visuel à suivre pendant le tournage. Le modèle peut être disposé de la même manière que les modèles de broche. Les modèles peuvent être placés contre le travail pour une comparaison visuelle. Des cercles pour localiser les différents points critiques peuvent être rapidement tracés sur le travail rotatif en utilisant les diviseurs.

TOURNER LE PROJET

La première étape consiste à retirer autant de bois que possible en perçant le centre avec le plus gros foret à bois disponible. Veillez à mesurer à l'avance la profondeur à laquelle le foret peut être amené à aller.

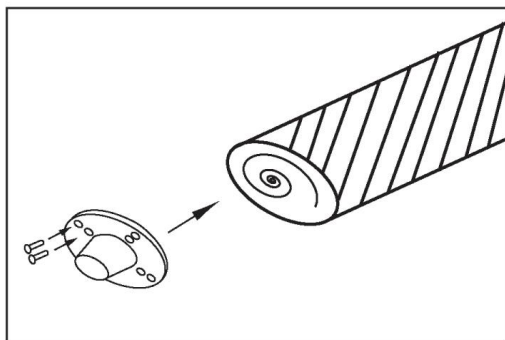
Suivant, retirez le gros des déchets en grattant avec le grattoir à bec rond ou la gouge à cuvette.

Retirez jusqu'à 1/8" de la taille finie de cette manière. Terminez la circonférence intérieure en grattant avec le nez rond ou le rond gauche grattoir. Lisser le fond du renforcement en le raclant avec un grattoir à nez plat. Essayez toujours de positionner la partie du porte-outil qui soutient l'outil aussi près que possible de la surface de travail.

MONTAGE DE LA PIÈCE SUR LA PLAQUE FRONTALE

Vous pouvez monter directement la plaque frontale sur la pièce en fixant

quatre (ou huit) vis à bois (vendues séparément). Il s'agit d'un processus simple qui devrait être utilisé autant que possible.



AVERTISSEMENT



Assurez-vous toujours que la pièce est solidement fixée à la plaque frontale ou entre les centres. Lorsque la plaque frontale tourne, assurez-vous toujours que les fixations à vis n'entrent pas en contact avec l'outil de tournage au fur et à mesure de la progression du travail.

TOURNAGE DE LA PLAQUE FRONTALE

Les tournages qui ne se montent pas entre les centres nécessitent une plaque frontale pour tenant la pièce. Toutes les pièces de ce type doivent être légèrement surdimensionnées pour éliminer les coupes d'ébauche et les vibrations.

Mode d'emploi



ATTENTION

Ne jamais allumer la machine en appuyant le ciseau contre le matériau !



AVIS

- Avant de mettre la machine en marche, assurez-vous que le porte-outil est bien serré
- Faites tourner la pièce serrée à chaque fois avant de la tourner à la main pour vous assurer qu'elle tourne librement et ne touche pas le reste de l'outil !
- Vérifiez également si la pièce est centrée et bien serrée !
- Assurez-vous de guider et de tenir le ciseau avec les deux mains de manière sûre et serrée pendant l'usinage !
- Travaillez uniquement avec des outils bien affûtés !
- Travaillez des pièces volumineuses et déséquilibrées uniquement à faible vitesse de broche !
- Les spécifications concernant la taille maximale ou minimale de la pièce doivent être respectées !
- Les pièces présentant des fissures ne doivent pas être utilisées !
- Traitez uniquement des bois sélectionnés et sans défauts !

Opération

Interrupteur marche-arrêt


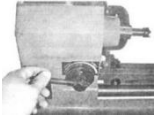
Mise en marche : Appuyez sur le bouton vert (« 1 ») pendant 2 secondes. La machine commence à fonctionner.

Éteindre : Appuyer sur le bouton rouge (« 0 »).


La machine ne s'arrête pas immédiatement ! Restez devant la machine jusqu'à ce que la pièce soit complètement arrêtée (n'arrêtez pas la pièce à la main !)

Réglage de la vitesse

La vitesse peut être réglée de manière infinie en tournant le levier de commande de vitesse.

	AVIS	
	<p>Vous devez déplacer le levier sur le réglage de vitesse le plus bas avant de tourner l'interrupteur ON/OFF, sinon le moteur risque de ne pas démarrer !</p>	

Porte-outil

	AVIS
	<p>Le porte-outil doit être choisi le plus près possible de la pièce à usiner ! Réglage de la hauteur juste en dessous de la ligne centrale de la pièce. Faites tourner la pièce à la main et vérifiez que la pièce peut tourner librement avant de la tourner !</p>

MAINTENANCE

ATTENTION



**Effectuez tous les réglages de maintenance de la machine avec la machine débranchée de l'alimentation électrique !
Blessure grave due à une activation involontaire ou automatique de la machine !**



La machine ne nécessite pas d'entretien important. En cas de dysfonctionnement ou de panne, confiez-la uniquement à des personnes qualifiées.

Avant la première mise en service, puis toutes les 100 heures de fonctionnement, lubrifiez toutes les pièces de raccordement (si nécessaire, éliminez au préalable tous les copeaux et poussières à l'aide d'une brosse).

Vérifiez régulièrement l'état des autocollants de sécurité. Remplacez-les si nécessaire.

Vérifiez régulièrement l'état de la machine.

Le bon état et le réglage parfait des rouleaux de guidage sont essentiels pour un guidage fluide de la bande et une coupe nette.

Stockez la machine dans un endroit fermé et sec.

AVIS

Nettoyez régulièrement votre machine après chaque utilisation : cela prolonge sa durée de vie et constitue une condition préalable à un environnement de travail sûr.

Les travaux de réparation doivent être effectués uniquement par des professionnels formés à cet effet !

Plan de maintenance

Après chaque quart de travail :

Nettoyez la machine et ses pièces avec un jet d'air comprimé puissant pour éliminer la poussière de bois et autres restes de matériaux. Les pièces mobiles peuvent également être nettoyées avec une brosse ou une brosse souple. Appliquez une fine couche d'huile lubrifiante sur toutes les pièces mobiles de la machine.

Après 50 heures de fonctionnement

Vérifiez les courroies trapézoïdales.

Déterminez la cause des courroies effilochées. Vérifiez si les surfaces sont irrégulières ou rugueuses et si elles ont été construites sur les poulies de la courroie trapézoïdale. Remplacez les courroies effilochées ou étirées !

Nettoyage

Après chaque journée de travail, la machine doit être nettoyée. Enlevez les copeaux etc. avec un outil approprié. Ne les enlevez pas à la main (risque de coupure !). Enlevez également la poussière.

AVIS



L'utilisation de certaines solutions contenant des ingrédients endommageant les surfaces métalliques ainsi que l'utilisation d'agents de récurage endommageront la surface de la machine ! Nettoyez la surface de la machine avec un chiffon humide imbibé d'une solution douce.

Élimination

Ne jetez pas l'appareil avec les ordures ménagères. Contactez les autorités locales pour obtenir des informations sur les possibilités d'élimination disponibles. Lorsque vous achetez un appareil de remplacement chez votre revendeur local, ce dernier est tenu de vous échanger votre ancien appareil.


TROUBLE SHOOTING

AVANT DE COMMENCER À TRAVAILLER POUR L'ÉLIMINATION DES DÉFAUTS, DÉBRANCHEZ LA MACHINE DE L'ALIMENTATION ÉLECTRIQUE .

Inquiéter	Cause possible	Solution
Fonctionnement bruyant	<ul style="list-style-type: none"> a. Tension de courroie incorrecte b. Poulie lâche c. Bilt en vrac d. Mauvais roulement 	<ul style="list-style-type: none"> a. Régler la tension b. Serrer la poulie c. Régler la tension de la courroie d. Remplacer le roulement
Le moteur ne démarre pas	<ul style="list-style-type: none"> a. Alimentation électrique b. Connexion moteur c. Commutez les connexions d. Enroulements du moteur brûlés e. Mauvais interrupteur 	<ul style="list-style-type: none"> a. Vérifiez le cordon d'alimentation b. Vérifiez les connexions du moteur c. Vérifiez les connexions du moteur d. Remplacer le moteur e. Remplacer l'interrupteur

Porte-outil ou contre-pointe difficile à déplacer	a.Besoin de lubrification b.Barrières de lit courbées c. Contre-écrou serré	a.Lubrification avec de l'huile légère b.Redresser les barrières du lit c.Desserrer le contre-écrou
---	---	---

DE NOMBREUSES SOURCES D'ERREUR POTENTIELLES PEUVENT ÊTRE ÉLIMINÉES PAR UNE CONNEXION EXPERTE AU RÉSEAU ÉLECTRIQUE.

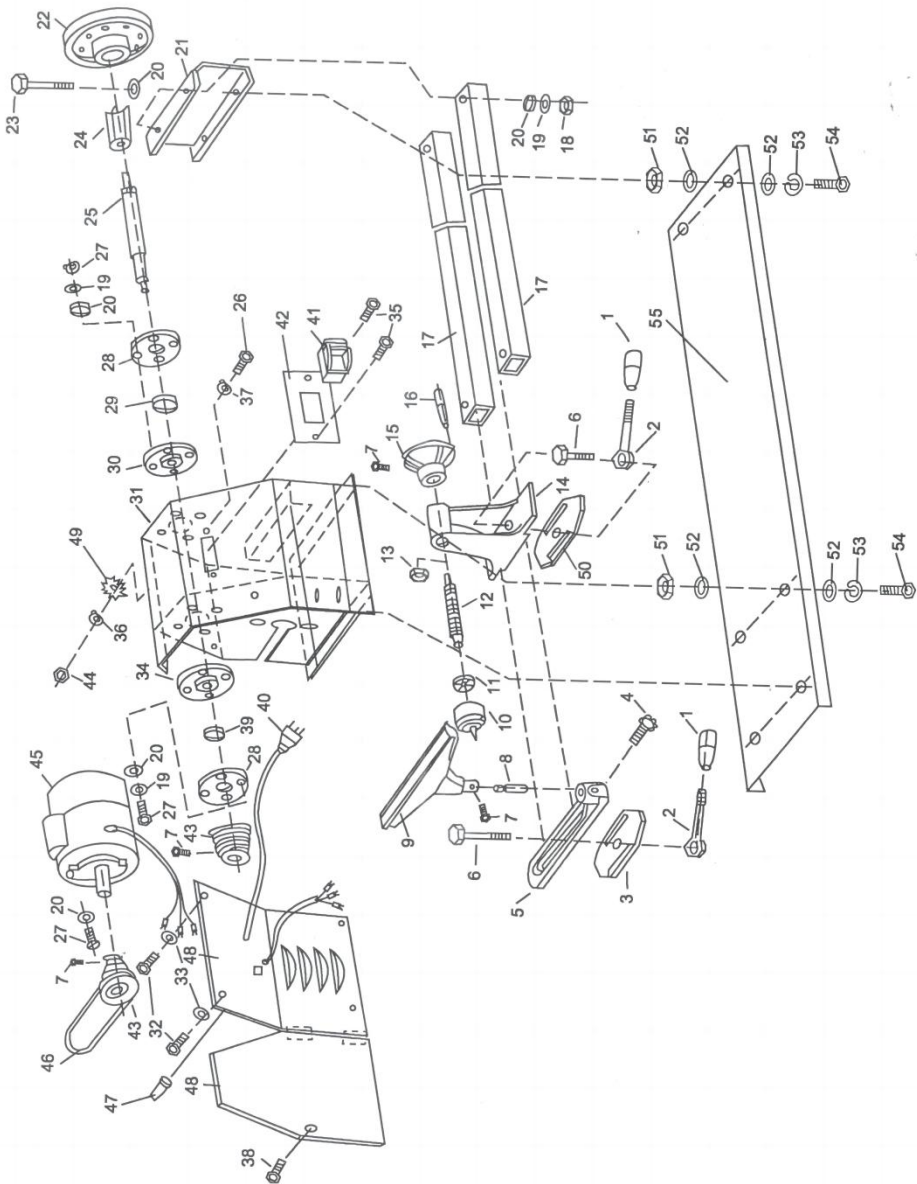
	AVIS
	<p>Si vous n'êtes pas en mesure d'effectuer correctement les réparations nécessaires ou si vous n'avez pas la formation prescrite pour cela, faites toujours appel à un atelier pour résoudre le problème.</p>

EXPLOSIONSZEICHNUNG / EXPLOSION DRAWING

INDICE N°	DESCRIPTION	TAILLE	Qté
1	Bouton de poignée de verrouillage		2
2	Poignée de verrouillage		2
3	Serrer		1
4	Bouton de verrouillage		1
5	Support d'outil		1
6	Boulon	(M14x70)	2
7	Boulon	(M6x10)	4
8	Barre de support		1
9	Porte-outil		1
10	Centre		1
11	Palier	6201	1

12	Broche de la poupée mobile		1
13	Vis	(M18)	1
14	Contre-pointe		1
15	Volant à main		1
16	Barre de volant à main		1
17	Barrière de lit		2
18	Noix	(M8)	4
19	Rondelle élastique	8	12
20	Rondelle	8	18
21	Supporter		1
22	Plaque frontale		1
23	Boulon	(M8x55)	4
24	Centre d'entraînement		1
25	Broche d'entraînement		1
26	Boulon	(M4x10)	2
27	Vis	(M8x16)	10
28	Rondelle de roulement		2
29	Palier	6204	1
INDICE N°	DESCRIPTION	TAILLE	Qté
30	Base de soins		1
31	Armoire		1
32	Boulon	(M5x12)	4
33	Rondelle	(5)	4
34	Base de roulement		1
35	Tache	(M4x12)	2
36	Rondelle élastique	(4)	2
37	Rondelle	(4)	2
38	Boulon	(M8x16)	1
39	Prendre soin de	6203	1
40	Prise		1
41	Changer		1
42	Tableau de distribution		1
43	Volant à courroie		2

44	Noix	(M4)	2
45	Moteur		1
46	Ceinture triangulaire	(0500)	1
47	Buisson		1
48	Bclt et couvercle de poulie		1
49	Lave-ours	(4)	2
50	Serrer		1
51	Noix	(8)	6
52	Rondelle	(8)	12
53	Rondelle élastique	(8)	6
54	Boulon	(M8x20)	6
55	Plaque de base		1



VEVOR[®]

TOUGH TOOLS, HALF PRICE

Technique Certificat d'assistance et de garantie électronique

www.vevor.com/support

VEVOR[®]

TOUGH TOOLS, HALF PRICE

Technisch Support und E-Garantie-Zertifikat www.vevor.com/support

HOLZDREHBANK BEDIENUNGSANLEITUNG

MODELL: MCS1000

We continue to be committed to provide you tools with competitive price.

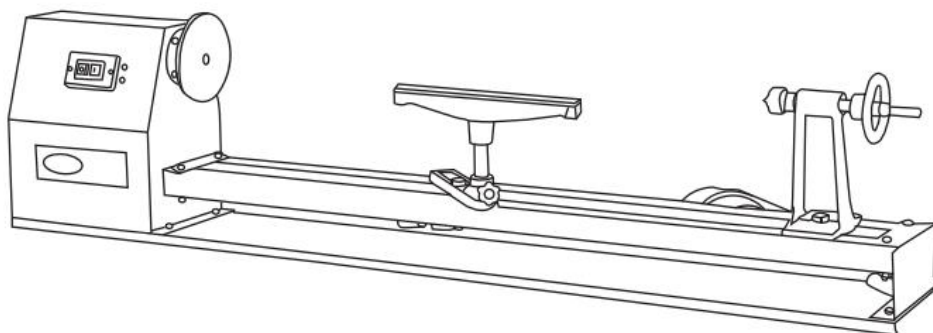
"Save Half", "Half Price" or any other similar expressions used by us only represents an estimate of savings you might benefit from buying certain tools with us compared to the major top brands and does not necessarily mean to cover all categories of tools offered by us. You are kindly reminded to verify carefully when you are placing an order with us if you are actually saving half in comparison with the top major brands.

VEVOR®

TOUGH TOOLS, HALF PRICE

WOOD LATHE

MODELL: MCS1000



NEED HELP? CONTACT US!

Have product questions? Need technical support? Please feel free to contact us:

Technical Support and E-Warranty Certificate
www.vevor.com/support

This is the original instruction, please read all manual instructions carefully before operating. VEVOR reserves a clear interpretation of our user manual. The appearance of the product shall be subject to the product you received. Please forgive us that we won't inform you again if there are any technology or software updates on our product.

MATTERS NEEDING ATTENTION

Die in diesem Handbuch enthaltenen Informationen sind als Anleitung für den Betrieb dieser Maschinen gedacht und stellen keinen Bestandteil eines Vertrags dar. Die darin enthaltenen Daten wurden vom Maschinenhersteller und aus anderen Quellen bezogen. Wir bemühen uns um die Richtigkeit dieser Informationen und versuchen, jeden Punkt und jede Angabe zu überprüfen, können jedoch nicht die vollständige Richtigkeit der Informationen garantieren, was bedeutet, dass die gelieferte Ausrüstung im Detail von der Beschreibung in der Anleitung abweichen kann. Darüber hinaus kann die Entwicklung der Maschine bedeuten, dass die gelieferte Ausrüstung im Detail von den hierin beschriebenen Beschreibungen abweichen kann. Es liegt daher in der Verantwortung des Benutzers, sich selbst davon zu überzeugen, dass die beschriebene Ausrüstung oder das beschriebene Verfahren für den beabsichtigten Zweck geeignet ist.

QUALITY ASSURANCE




Wir unternehmen alle Anstrengungen, um die Qualität unserer Produkte sicherzustellen, und versprechen den Verbrauchern, dass wir auf unsere Produkte eine einjährige Garantie gewähren, mit Ausnahme von Maschinenschäden, die durch unsachgemäße Bedienung durch den Kunden verursacht wurden, und daraus resultierenden Unfällen sowie anormalem Verschleiß und Schäden, die durch mangelnde Wartung verursacht wurden.





Um die Garantieverpflichtung zu erfüllen, senden Sie das Produkt oder Teil mit Qualitätsproblemen bitte zur Überprüfung frankiert an uns zurück. Zurückgesandten Waren sollten ein Hinweis auf das Kaufdatum und eine schriftliche Erklärung zur Qualität des Produkts beiliegen. Nach unserer Prüfung und Bestätigung reparieren oder ersetzen wir Ihre Produkte oder





erstatten den Kaufpreis. Wenn wir die Reparatur oder den Ersatz nicht rechtzeitig durchführen, tragen wir die Kosten, die durch die Reparatur oder den Ersatz der Produkte entstehen. Wenn der Schaden nicht auf die Qualität des Produkts, sondern auf unsachgemäße Bedienung durch den Benutzer oder aus anderen Gründen zurückzuführen ist, trägt der Kunde die Kosten.




Unser Unternehmen behält sich das Recht vor, Änderungen an dieser Spezifikation und den Produktspezifikationen vorzunehmen. Wir werden kontinuierlich daran arbeiten, die Qualität unserer Produkte zu verbessern. Alle Rechte vorbehalten. Reproduktion oder Vervielfältigung ohne Genehmigung nicht gestattet.

SAFETY WARNING

Symbo l	Symbol Beschreibung
	Warnung – Um das Verletzungsrisiko zu verringern, muss der Benutzer die Bedienungsanleitung sorgfältig lesen.
	Dieses Symbol vor einem Sicherheitshinweis weist auf eine Vorsichtsmaßnahme, Warnung oder Gefahr hin. Das Ignorieren dieser Warnung kann zu einem Unfall führen. Um das Risiko von Verletzungen, Bränden oder Stromschlägen zu verringern, befolgen Sie bitte immer die unten aufgeführte Empfehlung.
	Überlasten Sie die Maschine nicht Sorgt für gute Stabilität und hält jederzeit das Gleichgewicht Vermeiden Sie unnormale Arbeitshaltungen! Achten Sie auf einen geraden Stand und halten Sie stets das Gleichgewicht. Arbeiten Sie stets konzentriert. Reduzieren Sie Störquellen in Ihrer Arbeitsumgebung. Die Bedienung der Maschine bei Müdigkeit sowie unter Einfluss von Alkohol, Drogen oder konzentrationsbeeinträchtigenden Medikamenten ist verboten. Nicht auf die Maschine steigen! Die Bedienung der Maschine darf nur durch unterwiesene Personen (Kenntnis und Verständnis dieser Betriebsanleitung)

	<p>erfolgen, die hinsichtlich ihrer motorischen Fähigkeiten keine Einschränkungen gegenüber herkömmlichen Arbeitern aufweisen.</p> <p>Erlauben Sie anderen Personen, insbesondere Kindern, nicht, die Maschine oder das Kabel zu berühren. Halten Sie sie von Ihrem Arbeitsbereich fern.</p> <p>Machen Sie Ihre Werkstatt kindersicher.</p> <p>Stellen Sie sicher, dass sich niemand im Gefahrenbereich aufhält. Der Mindestsicherheitsabstand beträgt 2 m</p> <p>Tragen Sie geeignete Arbeitskleidung</p>
	<p>Gefahr!</p> <p>Gefahr von Personen- oder Umweltschäden! Gefahr durch Stromschlag! Gefahr von Personenschäden durch Stromschlag!</p>
	<p>Wechselstrom</p>
	<p>Greifen Sie niemals in das laufende Band!</p> <p>Späne und Werkstückteile nur bei Stillstand der Maschine entfernen!</p> <p>Werkstücke beim Auslaufen niemals mit der Hand stoppen!</p> <p>Führen Sie niemals Messungen an einem rotierenden Werkstück durch!</p>
	<p>Keine Schutzhandschuhe tragen!</p>
	<p>Warnung: Tragen Sie bei der Verwendung dieses Produkts unbedingt einen Gehörschutz.</p>
	<p>Warnung: Tragen Sie bei der Verwendung dieses Produkts unbedingt einen Augenschutz.</p>
	<p>Warnung: Tragen Sie bei der Verwendung dieses Produkts unbedingt eine Staubmaske.</p>

	<p>Tragen Sie geeignete Arbeitskleidung! Tragen Sie keine weite Kleidung oder Schmuck, da diese in beweglichen Teilen hängen bleiben und schwere Unfälle verursachen können! Tragen Sie bei langen Haaren ein Haarnetz.</p> <p>Lose Gegenstände können sich verfangen und schwere Verletzungen verursachen!</p>
	<p>Lassen Sie die Maschine niemals unbeaufsichtigt laufen! Schalten Sie die Maschine aus und warten Sie, bis sie zum Stillstand kommt, bevor Sie den Arbeitsbereich verlassen.</p> <p>Trennen Sie die Maschine stets vom Stromnetz, bevor Sie Aktionen an der Maschine durchführen.</p> <p>Vermeiden Sie unbeabsichtigtes Starten</p> <p>Benutzen Sie die Maschine nicht mit beschädigtem Schalter.</p> <p>Der Stecker eines Elektrowerkzeugs muss unbedingt in die Steckdose passen. Verwenden Sie keine Adapter zusammen mit geerdeten Elektrowerkzeugen</p>
	<p>Bei jedem Arbeiten mit elektrisch betriebenen Maschinen ist Vorsicht geboten! Es besteht die Gefahr eines Stromschlags, Brandes, Schnittverletzungen;</p> <p>Schützen Sie die Maschine vor Feuchtigkeit (Kurzschlussgefahr)</p> <p>Benutzen Sie Elektrowerkzeuge und Maschinen niemals in der Nähe von brennbaren Flüssigkeiten und Gasen (Explosionsgefahr)</p> <p>Überprüfen Sie das Kabel regelmäßig auf Beschädigungen</p> <p>Verwenden Sie das Kabel nicht zum Tragen der Maschine oder zum Befestigen des Werkstücks.</p> <p>Schützen Sie das Kabel vor Hitze, Öl und scharfen Kanten</p> <p>Vermeiden Sie Körperkontakt mit geerdeten</p>
	<p>Vor Arbeitsbeginn alle Nägel und andere Fremdkörper vom Werkstück entfernen</p> <p>Bewahren Sie unbenutzte Maschinen außerhalb der Reichweite von Kindern auf.</p>

	<p>Dieses Produkt entspricht der Schutzklasse III.</p>
	<p>FCC-Erklärung: Dieses Gerät entspricht Teil 15 der FCC-Bestimmungen. Der Betrieb unterliegt den folgenden beiden Bedingungen: (1) Dieses Gerät darf keine schädlichen Störungen verursachen und (2) dieses Gerät muss alle empfangenen Störungen akzeptieren, einschließlich Störungen, die einen unerwünschten Betrieb verursachen können.</p>
	<p>Hinweise zur Entsorgung: Das Das Produkt unterliegt den Bestimmungen der europäischen Richtlinie 2012/19/EU. Das Symbol einer durchgestrichenen Mülltonne weist darauf hin, dass das Produkt in der Europäischen Union einer getrennten Müllentsorgung unterliegt. Dies gilt für das Produkt und alle mit diesem Symbol gekennzeichneten Zubehörteile. So gekennzeichnete Produkte dürfen nicht im normalen Hausmüll entsorgt werden, sondern müssen an einer Sammelstelle für das Recycling von elektrischen und elektronischen Geräten abgegeben werden.</p>



ACHTUNG : Lesen Sie alle Sicherheitshinweise, Anweisungen, Abbildungen und technischen Daten, die mit dieser Maschine geliefert werden. Die Nichtbeachtung der unten aufgeführten Anweisungen kann zu Stromschlag, Brand und/oder schweren Verletzungen führen.

Bewahren Sie alle Sicherheitshinweise und Anweisungen für die Zukunft auf.


1. Die Werkzeugmaschine sollte von erfahrener Personal bedient werden. Wenn Sie mit der Bedienung der Drehmaschine nicht vertraut sind, verwenden Sie die Werkzeugmaschine nicht nach Belieben . Lesen Sie vor der Bedienung die Anweisungen.

2. Vor dem Starten der Werkzeugmaschine sollte die Sicherheitsabdeckung in der richtigen Position.
3. Prüfen Sie vor dem Starten der Werkzeugmaschine, ob der Werkzeugauflagenschlüssel und der Bohrfutterschlüssel entfernt sind.
4. Verhindern Sie ein unbeabsichtigtes Starten der Maschine. Schalten Sie den Motor aus, bevor Sie das Werkstück oder Werkzeug einspannen.
5. Nicht mit Gewalt schneiden. Schneiden Sie entsprechend der eingestellten Schnittgeschwindigkeit, Schnitttiefe und Vorschubgeschwindigkeit.
6. Verwenden Sie die richtigen Werkzeuge. Verwenden Sie für die Bearbeitung das richtige Werkzeug oder Werkstück.
7. Halten Sie das Werkzeug scharf und sauber, um einen normalen und sicheren Betrieb zu gewährleisten. Schmieren und ersetzen Sie Zubehör regelmäßig.
8. Trennen Sie vor der Einstellung oder Reparatur der Maschine unbedingt die Stromversorgung.
9. Bitte überprüfen Sie die Sicherheitsleistung der Maschine, bevor Sie sie starten.
Überprüfen Sie die Funktionsfähigkeit aller beweglichen Teile. Alle Teile müssen installiert werden
Beschädigte Teile müssen umgehend repariert werden.
10. Wenn die Maschine läuft, darf der Bediener den Arbeitsplatz nicht verlassen.
11. Halten Sie den Arbeitsplatz sauber. Eine schmutzige Arbeitsumgebung kann leicht zu Unfällen führen.
12. Verwenden Sie die Maschine nicht in gefährlichen Umgebungen.
Arbeiten Sie nicht in feuchten Räumen. Stellen Sie sicher, dass elektrische Komponenten vor Feuchtigkeit geschützt sind. Sorgen Sie für eine gute Beleuchtung.
13. Kindern ist der Zutritt zur Baustelle untersagt und nicht operierendes Personal sollte einen Sicherheitsabstand zum Arbeitsbereich einhalten.
14. Halten Sie Kinder vom Arbeitsbereich fern. Beim Verlassen der

Werkstatt sollte die Tür abgeschlossen werden.

15. Ziehen Sie sich angemessen an. Tragen Sie keine weite Kleidung, Handschuhe, Krawatten, Ringe, Armbänder, Schmuck usw. Tragen Sie zur Sicherheit rutschfeste Schuhe. Wenn Sie lange Haare haben, tragen Sie bitte einen Arbeitshelm.
16. Tragen Sie während des Betriebs eine Schutzbrille.
17. Achten Sie auf Ihren Stand und halten Sie stets das Gleichgewicht.
18. Halten Sie Ihre Hände von beweglichen Teilen der Maschine fern.
19. Führen Sie keine Einstellvorgänge bei laufender Maschine durch.
20. Lesen und verstehen Sie alle an der Maschine angebrachten Warnhinweise.
21. Dieses Handbuch dient ausschließlich dazu, Kunden mit der Bedienung der Maschine vertraut zu machen und ist kein Schulungshandbuch.
22. Bitte beachten Sie diese Warnungen, da es sonst zu schweren Verletzungen kommen kann.
23. Die Maschine erzeugt beim Schleifen, Sägen, Schleifen und Bohren Staub, der schädliche Chemikalien erzeugt. Um die Gefahr dieser Chemikalien zu verringern, arbeiten Sie bitte an einem gut belüfteten Ort und tragen Sie Sicherheitsausrüstung, z. B. eine Partikelfiltermaske.

Verbleibende Risikofaktoren

	WARNUNG
	<ul style="list-style-type: none">● Dabei ist darauf zu achten, dass bei jeder Maschine Restrisiken bestehen.● Bei der Ausführung aller Arbeiten (auch der einfachsten) ist größte Aufmerksamkeit erforderlich. Ein sicheres Arbeiten hängt von Ihnen ab!

Auch bei bestimmungsgemäßem Einsatz der Maschine können gewisse Restrisikofaktoren nicht völlig ausgeschlossen werden. Im Zusammenhang

mit der Konstruktion und Ausführung der Maschine können folgende Gefährdungen auftreten:

- Verletzungsgefahr der Hände/Finger durch das rotierende Werkstück während des Betriebs.
- Verletzungsgefahr durch scharfe Kanten des Werkstücks, insbesondere bei nicht mit einem geeigneten Werkzeug/Vorrichtung fixierten Werkstücken.
- Verletzungsgefahr: Haare und lose Kleidungsstücke etc. können erfasst und aufgewickelt werden! Sicherheitsvorschriften bezüglich der Kleidung sind zu beachten.
- Verletzungsgefahr durch Kontakt mit spannungsführenden Teilen.
- Verletzungsgefahr durch Staubemissionen, mit gesundheitsschädlichen Mitteln behandelte Werkstücke
- Auch mit Schutzbrille besteht die Gefahr einer Augenverletzung durch umherfliegende Partikel.
- Gefahr einer Gehörschädigung durch längere körperliche Arbeit ohne Gehörschutz.

Ein Rückschlag ist eine plötzliche Reaktion. Dabei wird das Werkzeug in Richtung des Bedieners geschleudert.

Diese Risikofaktoren können durch die Einhaltung aller Sicherheits- und Betriebsanweisungen, eine ordnungsgemäße Wartung der Maschine sowie eine fachkundige und angemessene Bedienung durch Personen mit technischen Kenntnissen und Erfahrung minimiert werden.

TECHNICAL PARAMETER

Stromspannung	230 V / 50 Hz	110 V / 60 Hz
Motorleistung	350 W	
Spindeldrehzahlen	885/1245/1715/2425 U/min	
M ax. Drehdurchmesser	Ø 350 mm	
S Spindeldurchmesser	Ø 22	
Spindelgewinde	M18	
Entfernung zwischen den Mittelpunkten	970 mm	
Reitstockspindelweg	10 mm	
Kegel in der Reitstockspindel	MT1	
Gewicht	Nettogewicht: 23 kg; Bruttogewicht: 28,2 kg	
Paketgröße	1545×300×435mm	

Die in dieser Spezifikation enthaltenen allgemeinen Angaben sind unverbindlich.

Kennen Sie Ihre Drechselbank : (Abb. 1)

1. EIN/AUS-SCHALTER

Gerät zum Ein- und Ausschalten der Drechselbank.

2. RIEMEN- UND RIEMENSCHLEIBENABDECKUNG

Abdeckung für Riemen und Riemenscheibe. Öffnen Sie diese Abdeckung,

um beim Ändern der Geschwindigkeit des Antriebszentrums an Riemen und Riemenscheibe zu gelangen.

3. ANTRIEBSZENTRUM

Hält Werkstücke für Dreharbeiten.

4. Bettgitter

Schienen zum Bewegen des Reitstocks und der Werkzeugauflage.

5. WERKZEUGAUFLAGE

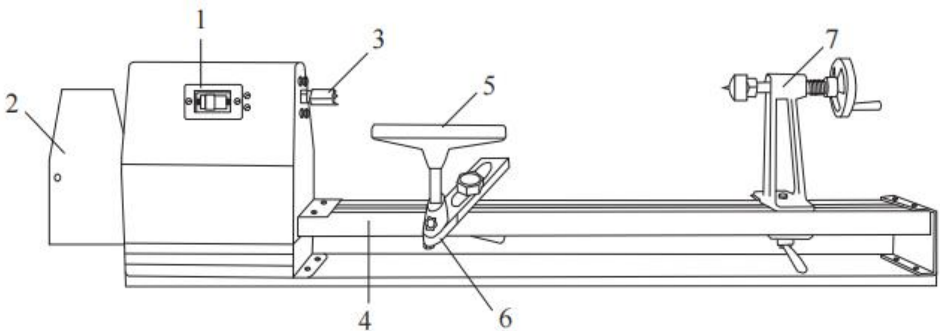
Der Ständer hält das Werkzeug beim Drehen des Werkstücks.

6. WERKZEUGABLAGE-VERRIEGELUNGSKNOPF

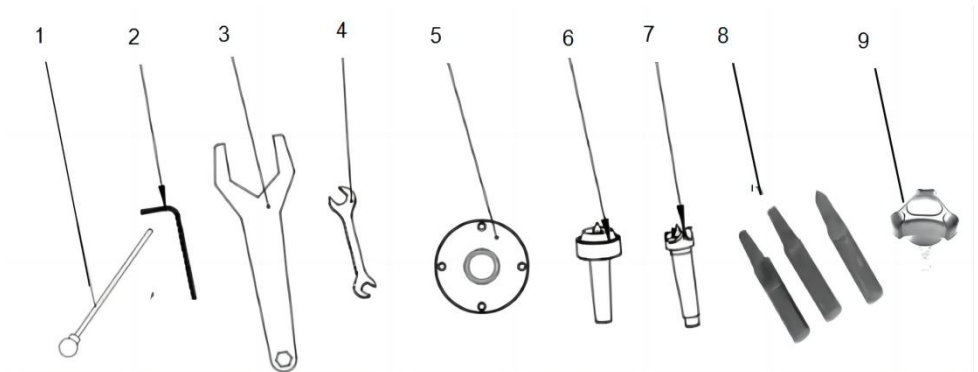
Feststellknopf zur Höhenverstellung der Werkzeugauflage.

7. REITSTOCKMONTAGE

Funktioniert mit Antriebszentrum, um das Werkstück für Dreharbeiten zu halten



Standardzubehör



TEIL NR.	BESCHREIBUNG	Menge
----------	--------------	-------

1	Stabinjektion	1
2	Inbusschlüssel S3	1
3	Schlüssel	1
4	Gabelschlüssel	1
5	Frontplatte	1
6	Wohnzentrum	1
7	Spornzentrum	1
8	Drehwerkzeugaufgabe	3
9	Kunststoffgriff	1

INTENDED USE

Die Maschine darf nur bestimmungsgemäß verwendet werden! Jede andere Verwendung gilt als Fehlgebrauch.

Für den ordnungsgemäßen Einsatz der Maschine sind zudem sämtliche Sicherheitsvorschriften, Montageanleitungen, Betriebs- und Wartungshinweise dieser Anleitung zu beachten und einzuhalten.

Alle Personen, die die Maschine bedienen und warten, müssen mit dieser Anleitung vertraut sein und über die möglichen Gefahren der Maschine informiert sein.


Beachten Sie außerdem unbedingt die in Ihrer Region geltenden Unfallverhütungsvorschriften.

Gleiches gilt für die allgemeinen Regeln des Arbeits- und Gesundheitsschutzes.

Einsatzgebiet der Maschine: Drechseln von Holz.

Jede Manipulation an der Maschine oder deren Teilen stellt einen Missbrauch dar, deren Vertriebspartner können in diesem Fall nicht für JEGLICHE direkten oder indirekten Schäden haftbar gemacht werden.

Auch bei bestimmungsgemäßem Gebrauch der Maschine lassen sich gewisse Restrisikofaktoren nicht ausschließen.

WARNUNG	
	<ul style="list-style-type: none">● Benutzen Sie die Maschine niemals mit defektem oder ohne montiertem Schutz!● Das Entfernen oder Verändern der Sicherheitsbauteile kann zu Geräteschäden und schweren Verletzungen führen! <p style="text-align: center;">HÖCHSTES VERLETZUNGSRISIKO!</p>

Umgebungsbedingungen

Die Maschine darf betrieben werden:

Luftfeuchtigkeit	Max . 70 %
Temperatur	+5 °C bis +40 °C (+41 °F bis +104 °F)

Die Maschine darf nicht im Freien oder in nassen oder feuchten Bereichen betrieben werden.

Die Maschine darf nicht in Bereichen betrieben werden, in denen eine erhöhte Brand- oder Explosionsgefahr besteht.

Verbotene Nutzung

Der Betrieb der Maschine außerhalb der in dieser Anleitung beschriebenen technischen Grenzen ist verboten.

Der Betrieb der Maschinenfunktion ohne Not-Aus-Schalter oder Laufradkasten mit geöffneten Türen ist verboten.

Der Einsatz der Maschine außerhalb der vorgeschriebenen Abmessungen ist verboten.

Der Einsatz der Maschine ohne entsprechende Eignung und Zertifizierung ist verboten.

Die Verwendung der Maschine für andere als die in dieser Bedienungsanleitung beschriebenen Zwecke ist verboten.

Das unbeaufsichtigte Bedienen der Maschine während des Arbeitsprozesses ist verboten!

Während der Arbeit darf der unmittelbare Arbeitsbereich nicht verlassen werden.

UNPACKING AND CLEANING

1. Nehmen Sie die Drechselbank aus der Schachtel
2. Überprüfen Sie sämtliches Zubehör der Werkzeugmaschine gemäß Packliste.
3. Wählen Sie für die Drehbank einen Standort, der trocken und gut beleuchtet ist und genügend Platz bietet, um die Drehbank von allen vier Seiten warten zu können.
4. Um ein Verdrehen des Bettes zu vermeiden, muss die Drehbank absolut eben und waagrecht stehen. Schrauben Sie die Drehbank mit Schrauben an den Ständer (falls verwendet).
5. Reinigen Sie alle rostgeschützten Oberflächen mit einem milden handelsüblichen Lösungsmittel, Kerosin oder Dieselkraftstoff. Verwenden Sie keinen Farbverdünner, Benzin oder Lackverdünner. Diese beschädigen lackierte Oberflächen. Bedecken Sie alle gereinigten Oberflächen mit einem dünnen Film aus 20W-Maschinenöl.

ASSEMBLY

Lieferumfang

Bitte überprüfen Sie den Lieferumfang sofort nach Erhalt auf eventuelle Transportschäden oder fehlende Teile. Reklamationen wegen Transportschäden oder fehlender Teile müssen sofort nach Erhalt und Auspacken der Maschine und vor Inbetriebnahme der Maschine erfolgen. Bitte haben Sie Verständnis, dass spätere Reklamationen nicht mehr anerkannt werden können.

Anforderungen an den Arbeitsplatz

Der Arbeitsplatz muss den Anforderungen entsprechen.

Der Untergrund muss eben, waagrecht und hart sein. Er muss mindestens dazu geeignet sein, ihn mit dem doppelten Gewicht pro Quadratmeter zu belasten, das dem Eigengewicht der Maschine entspricht.

Der gewählte Arbeitsplatz muss über einen Zugang zu einem geeigneten, den Anforderungen der Maschine entsprechenden Stromversorgungsnetz verfügen.

Transport

Die Maschine kann verpackt mit einem Gabelstapler transportiert werden. Die Maschine ist sehr schwer. Die Maschine darf nur mit einem geeigneten Hebezeug aus der Kiste gehoben werden, das für die Last der Maschine zertifiziert ist.




WARNUNG

Das Anheben und der Transport der Maschine darf nur von qualifiziertem Personal und mit geeigneter Ausrüstung durchgeführt werden .


Vorbereitung der Oberfläche

Blanke metallische Maschinenteile wurden zur Verhinderung von Korrosion mit einer Fettschicht isoliert.

Diese Schicht muss entfernt werden. Hierzu können handelsübliche Lösungsmittel verwendet werden, welche die Maschinenoberfläche nicht beschädigen.

BEACHTEN	
	<ul style="list-style-type: none">● Keine Lösungsmittel auf Nitritbasis, aggressive Lösungsmittel wie Bremsenreiniger oder Scheuermittel verwenden!● Diese beschädigen die Maschinenoberfläche.

Stromversorgung

AUFMERKSAMKEIT	
	<p>Beim Arbeiten mit nicht geerdeten Maschinen:</p> <p>Es kann zu schweren Verletzungen oder sogar zum Tod durch Stromschlag kommen!</p> <p>Deshalb : Die Maschine muss an einer geerdeten Steckdose betrieben werden</p>

Der Anschluss der Maschine an das elektrische Netz sowie die nachfolgenden Prüfungen dürfen nur durch eine entsprechend ausgebildete Elektrofachkraft durchgeführt werden.

- q. Der elektronische Anschluss der Maschine ist für den Betrieb an einer geerdeten Steckdose vorgesehen!
- r. Die Netzversorgung muss mit 16A abgesichert sein:
- s. Sollte der Anschlussstecker nicht passen oder defekt sein, darf dieser nur durch eine Elektrofachkraft geändert bzw. erneuert werden!
- t. Die Erdungsleitung sollte in grün-gelb ausgeführt sein.
- u. Ein beschädigtes Kabel muss sofort ausgetauscht werden!
- v. Überprüfen Sie, ob die Speisespannung und die Hz den geforderten Werten der Maschine entsprechen. Eine Abweichung der Speisespannung von $\pm 5\%$ ist zulässig.
- w. Nach dem Anschließen auf die richtige Laufrichtung achten!
- x. Stellen Sie sicher, dass ein eventuelles Verlängerungskabel in gutem Zustand und für die Stromübertragung geeignet ist. Ein zu kleines Kabel verringert die Stromübertragung und erhitzt sich.

OPERATING ADJUSTMENTS

EINSTELLEN DER RIEMENSPIANNUNG

Die Drehmaschine wird mit montiertem Riemen geliefert. Vor der Verwendung muss dieser jedoch eingestellt werden.

1. Trennen Sie die Drehmaschine von der Stromquelle.
2. Lösen und entfernen Sie die Sechskantschraube mit einem verstellbaren Schraubenschlüssel. (siehe Abbildung 1)
3. Drücken Sie mit der Hand auf den Riemen. Bei richtiger Einstellung sollte sich der Riemen 1,27 cm bewegen. (siehe Abbildung 2)

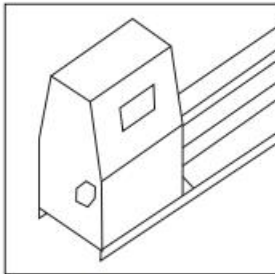


Figure 1

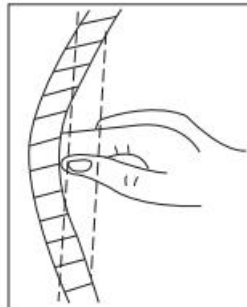


Figure 2

GESCHWINDIGKEIT EINSTELLEN

vier Spindeldrehzahlen von 1100, 1600, 2300 und 3400 U/min (885 , 1245 , 1715 , 2425) zur Verfügung. Diagramm 1 zeigt, an welcher Seite der Riemenscheiben der Riemen platziert werden muss, um vier Geschwindigkeiten zu erreichen. Diagramm 2 zeigt die richtigen Geschwindigkeiten für das Werkstück.

Diagramm 1

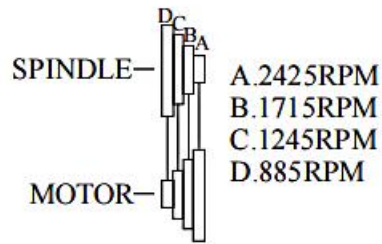
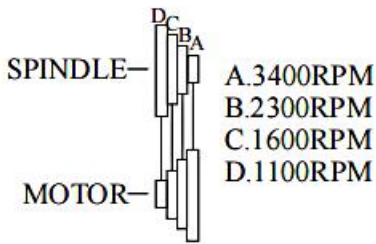
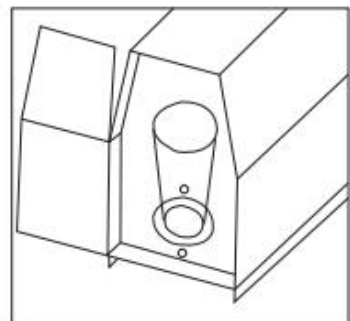


Diagramm 2

Roughing off	General cutting	Fine cutting	Finishing
1100RPM	1600RPM	2300RPM	3400RPM
885RPM	1245RPM	1715RPM	2425RPM

11. Trennen Sie die Drehmaschine von der Stromquelle.
12. Öffnen Sie die Riemen- und Riemenscheibenabdeckung.
13. Lösen Sie die Motorriemenscheibe, indem Sie die Schrauben mit einem verstellbaren Schraubenschlüssel lösen (siehe Abbildung).
14. Platzieren Sie den Keilriemen in der richtigen Position für die gewünschte Geschwindigkeit.
15. Stellen Sie den Keilriemen auf die richtige Spannung ein und ziehen Sie die Motorriemenscheibe fest.

HINWEIS: Für die richtige Riemen Spannung drücken Sie mit der Hand auf den Riemen. Der Riemen sollte sich bei richtiger Einstellung 1/2 Zoll bewegen.

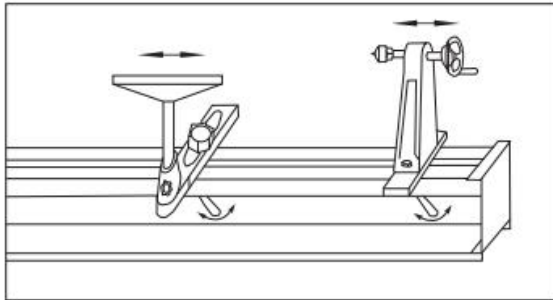


BEWEGLICHER REITSTOCK UND WERKZEUGAUFLAGE

Die Reitstockbaugruppe und die Werkzeugaufgabe werden mit einem

Feststellgriff direkt unter den Bettschienen am Bett gehalten. So bewegen Sie sie in die neue Position:

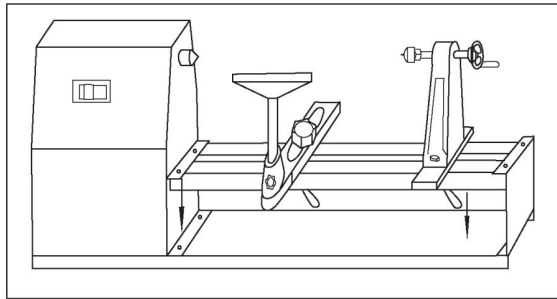
1. Trennen Sie die Drehmaschine von der Stromquelle.
2. Den Verriegelungsgriff mit dem Knopf lösen.
3. Schieben Sie die Reitstockbaugruppe oder die Werkzeugauflage entlang des Betts und ziehen Sie den Feststellgriff wieder fest. (siehe Abbildung)



MONTAGE DER DREHMASCHINE

Die Drehmaschine muss auf einer festen Unterlage wie einem Ständer oder Werkbank beim Betrieb. So montieren Sie die Drehmaschine:

1. Trennen Sie die Drehmaschine von der Stromquelle.
2. Suchen und markieren Sie die Stelle, an der die Drehbank montiert werden soll (siehe Abbildung).
3. Bohren Sie vier (4) Löcher mit einem Durchmesser von 5/16 Zoll durch die Werkbank.
4. Legen Sie die Drehmaschine auf die Werkbank und richten Sie die Löcher im Bett mit den gebohrten Löchern aus Werkbank.
5. Setzen Sie vier Schrauben (separat erhältlich) ein und ziehen Sie sie fest.



ENTFERNEN DER REITSTOCKSPINDEL

So entfernen Sie die Reitstockspindel aus der Reitstockbaugruppe:

1. Trennen Sie die Drehmaschine von der Stromquelle.
2. Entfernen Sie das Handrad, indem Sie die Stellschraube mit einem 1/8-Zoll-Inbusschlüssel von der Spindel weg lösen (siehe Abbildung 1).
3. Schrauben Sie die Reitstockspindel von der Reitstockbaugruppe ab (siehe Abbildung 2).

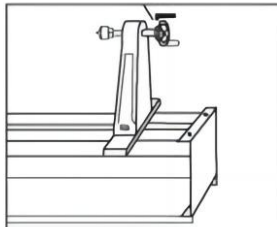


Figure 1

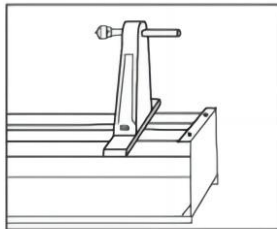
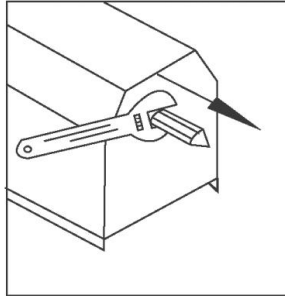


Figure 2

ANTRIEBSMITTEL ENTFERNEN

Die Antriebsspindel muss entfernt werden, um sie beim Drehen der Spindel am Werkstück anzubringen. Sie muss auch entfernt werden, wenn die Planscheibe zum Drehen der Planscheibe angebracht wird. So entfernen Sie die Antriebsspindel von der Antriebsspindel:

1. Trennen Sie die Drehmaschine von der Stromquelle.
2. Halten Sie den flachen Hals der Antriebsspindel mit dem Schraubenschlüssel fest. Schrauben Sie dann die Antriebsmitte gegen den Uhrzeigersinn ab (siehe Abbildung).



INSTALLATION DER FRONTPLATTE

Die Planscheibe ist im Lieferumfang Ihrer Drehmaschine enthalten. So installieren Sie die Planscheibe:

1. Trennen Sie die Drehmaschine von der Stromquelle.
2. Antriebszentrum von Antriebsspindel entfernen.
3. Richten Sie das Mittelloch der Frontplatte auf das Gewinde der Spindel aus (siehe Abbildung).
4. Planscheibe in Spindel einschrauben.

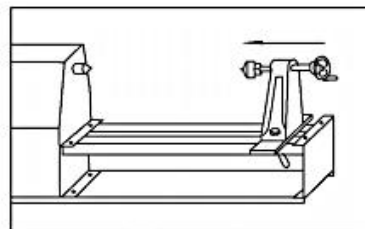
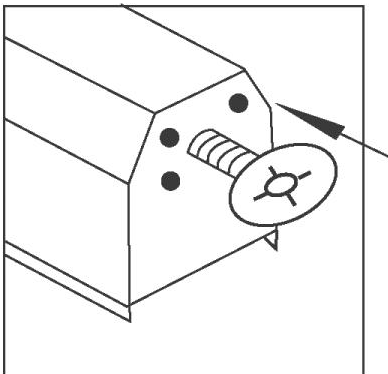


Figure 1

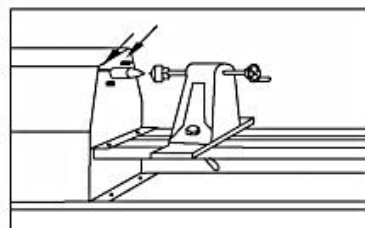


Figure 2

Zentren ausrichten

Wenn die Mittelpunkte nicht innerhalb der Linien liegen, nehmen Sie die

folgenden Anpassungen vor:

1. Bewegen Sie die Reitstockbaugruppe in die Nähe der Antriebsmittelbaugruppe (siehe Abbildung 1).
2. Verriegeln Sie die Reitstockbaugruppe.
3. Lösen Sie die vier Sechskantschrauben um die Antriebsmitte (siehe Abbildung 2).
4. Schwenken Sie die Antriebsmitte so, dass die beiden Mitten auf einer Linie liegen, und ziehen Sie dann die Schrauben fest.

OPERATION

Das Gerät darf nur in einwandfreiem Zustand betrieben werden. Vor jedem Einsatz ist eine Sichtprüfung des Gerätes durchzuführen. Insbesondere sind die Sicherheitseinrichtungen, die elektrischen Bedienelemente, die elektrischen Leitungen und die Schraubverbindungen auf Beschädigungen und festen Sitz zu prüfen. Eventuell beschädigte Teile vor Inbetriebnahme des Gerätes austauschen.

SPINDELDREHEN

Die folgende Anleitung gibt Anfängern einen Einstieg in die Bedienung einer Drechselbank. Verwenden Sie ein Stück Holz, um die Einstellungen zu überprüfen und ein Gefühl für die Bedienung zu bekommen, bevor Sie mit der normalen Arbeit beginnen.

WARNUNG Halten Sie Ihre Hände stets vom Laufwerk oder der Frontplatte fern, wenn das Gerät eingeschaltet ist.

1. Wählen Sie ein Stück Holz aus.
2. Zeichnen Sie diagonale Linien auf die Oberseite, um die Mitte zu bestimmen. (wie Abbildung 1)
3. Machen Sie am Ende einen Sägeschnitt von ca. 1/16 Zoll Tiefe auf jeder

- diagonalen Linie. Dies ist für das Antriebszentrum. Eine Mini-Bügelsäge ist hierfür nützlich. Die andere
- Das Ende ist für die Reitstockmitte.
4. Schlagen Sie die Reitstockspitze mit einem Holz- (Gummi-) oder Kunststoffhammer in das Holz. Entfernen Sie die Reitstockspitze (siehe Abbildung 2).
 5. Schlagen Sie den Antriebskern in das andere Ende des Holzes. Achten Sie darauf, dass sich die Sporen in den Sägeschnitten befinden. Entfernen Sie den Antriebskern.
 6. Reinigen Sie die Zentren, das Gewinde der Antriebsspindel und das Gewindeloch des Reitstockkörpers. Installieren Sie die Antriebsspitze in der Antriebsspindel und die Reitstockspitze in dem Reitstockkörper.
 7. Platzieren Sie das Holz zwischen den Spitzen und verriegeln Sie den Reitstockkörper.
 8. Bewegen Sie die Reitstockspitze durch Drehen des Handrads in das Holz. Achten Sie darauf, dass die Antriebsspitze und die Reitstockspitze in den in Schritt 4 und 5 gebohrten Löchern im Holz „sitzen“. Drehen Sie das Holz von Hand, während Sie das Handrad drehen.
 9. Stellen Sie die Werkzeugauflage etwa 1/8 Zoll von den Ecken des Holzes und 1/8 Zoll über der Mittellinie ein. Verriegeln Sie die Werkzeugauflegebasis und die Werkzeugauflage (siehe Abbildung 3).
 10. Drehen Sie das Holz mit der Hand, um sicherzustellen, dass die Ecken nicht gegen die Werkzeugauflage stoßen.
 11. Überprüfen Sie die in der Geschwindigkeitsauswahltabelle vorgeschlagene Geschwindigkeitseinstellung.
 12. Führen Sie wie in Schritt 9 häufig Neueinstellungen durch, da sich der Durchmesser des Werkstücks verringert.

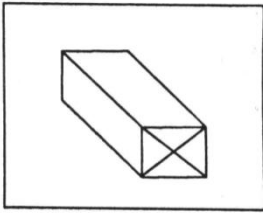


Figure 1

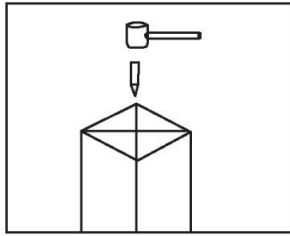


Figure 2

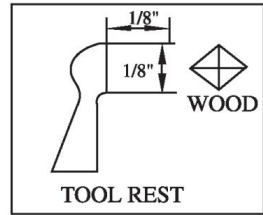


Figure 3

HANDPOSITION

Die Position Ihrer Hände zum Werkzeug wird durch die erforderliche Hebelwirkung bestimmt.

Die Handhaltung bei der Werkzeugaufgabe ist normalerweise ein Griff mit der Handfläche nach oben. Der Zeigefinger dient als Führung und gleitet beim Schneiden an der Werkzeugaufgabe entlang. Der Griff mit der Handfläche nach unten kann für schwere Schrupparbeiten verwendet werden. Der Handballen oder der kleine Finger dienen als Führung.

SCHRUPPEN EINES SPINDELZYLINDERS

Für diesen Drehvorgang wird das große Hohleisen verwendet. Lassen Sie die Drehbank für diesen Vorgang mit niedriger Geschwindigkeit laufen. Der Schnitt sollte etwa 2 Zoll vom Ende des Reitstocks entfernt beginnen und nach hinten zum Ende des Reitstocks hin fortgesetzt werden. Jeder entsprechende Schnitt erfolgt etwa 3 Zoll links vom ersten Schnitt. Dies wird so fortgesetzt, bis Sie eine Position 2 Zoll von der Mitte des Spindelstocks entfernt erreichen. Dann rollen Sie den Hohleisen in die entgegengesetzte Richtung, wodurch der Schnitt bis zum Ende der Spindel geführt wird.

VERWENDUNG EINES ABSCHIEDWERKZEUGS

Das Abstechwerkzeug hat einen Hauptzweck: Es schneidet gerade und so tief wie gewünscht in das Werkstück oder ganz hindurch, um einen Schnitt zu machen. Es ist daher ein sehr schmales Werkzeug (1/8 Zoll breit) und ist so geformt, dass es seinen eigenen Freiraum schneidet, damit die Kante nicht verbrannt wird. Wenn es zum Schaben verwendet wird,

Jedoch, Um eine Überhitzung zu vermeiden, sollte es regelmäßig zurückgedreht werden.

Anders als Hohleisen und Schrägeisen wird das Abstecheisen selten mit der Fase gegen das Werkstück gehalten. Da die Menge des entfernten Materials gering ist, eine Auflage für die Fase ist nicht notwendig. Das Werkzeug wird einfach schräg in das Werkstück eingeführt (zum Schneiden) , oder auf die Mitte des Werkstücks gerichtet (zum Schaben).

WIE MAN EINEN SCHIEBER VERWENDET

Dieses Werkzeug wird fast immer für die Ausführung fertiger Schnitte, zum Schneiden von V- und Perlenprofilen oder zum Begradigen von Schultern verwendet. Bei ordnungsgemäßer Verwendung ergibt es die beste Oberfläche, die mit einem Meißel erzielt werden kann.

Es sollte sehr wenig zum Schaben verwendet werden, da es dadurch schnell stumpf wird.

Für den Feinschnitt, der Schrägschneider wird mit der Schneide deutlich vor dem Griff gehalten, mit der abgeschrägten Seite nach unten. Halten Sie den Schrägstrich gut über der Arbeit, ziehen Sie es zurück, bis die Kante zu schneiden beginnt, Schwenken Sie dann den Griff in die Position, um den Schnitt voranzutreiben. Sowohl die Spitze als auch die Ferse des Schrägmessers können für leichte Schnitte verwendet werden. Nicht zu tief in das Holz eindringen, ohne zu schneiden
Freigaben, da die Gefahr besteht, die Spitze des Werkzeugs zu verbrennen.

SCHNEIDEN EINER SCHULTER

Eine Schulter kann die Seite eines quadratischen Teils sein, der im Werkstück verbleibt, die Seite eines gedrehten Abschnitts, oder das Ende des Werkstücks. Die meisten Schultern stehen senkrecht zur Arbeitsachse, aber eine Schulter kann jeden beliebigen Winkel haben.

Erste, Markieren Sie die Position der Schulter mit einem Bleistift, der an das rotierende Werkstück gehalten wird. Führen Sie dann mit dem Abstechwerkzeug einen Passschnitt durch und platzieren Sie den Schnitt etwa 1/16 Zoll außerhalb der Schulterposition. Auf 1/8 Zoll genau

schneiden. der gewünschten Tiefe für den Bereich außerhalb der Schulter. Wenn die Schulter flach ist, Mit der Spitze des Schrägschnitts können Sie den Korrekturschnitt durchführen. Gehen Sie mit dem Schrägschnitt nicht tiefer als 1/8 Zoll (3,25 mm), es sei denn, es werden breitere V-Profile geschnitten, um Platz für das Werkzeug zu schaffen.

Entfernen Sie mit dem Hohleisen sämtliches Abfallmaterial außerhalb der Schulter. Glätten Sie den Abschnitt bis auf 1/8 Zoll an die Schulter heran. Sofern er nicht höher als 1 Zoll ist, Am besten gelingt dies mit der 1/2-Zoll-Schrägstellung.

Erste, Verwenden Sie die Spitze des Schrägschneiders, um die Späne von der Seite der Schulter bis zur endgültigen Größe zu entfernen. Halten Sie die Schräge so, dass die Unterkante der Abschrägung neben der Schulter nahezu parallel zur Seite der Schulter verläuft. Achten Sie darauf, dass die Schneide nach oben zeigt, sodass nur die äußerste Spitze den Schnitt ausführt. Wenn die Schneide flach auf der Schulter aufliegt, läuft der Meißel. Beginnen Sie mit dem Griff tief und heben Sie ihn dann an, um die Spitze in die Arbeit zu bewegen. Schneiden Sie den Außenbereich auf den fertigen Durchmesser ab. dann reinigen Sie die Ecke durch Vorrücken die Ferse des Schrägstrichs in sie entlang der Oberfläche der Außenbereich. Kippen Sie die Schneide, mit dem Griff nach oben, so dass nur die äußerste Ferse den Schnitt ausführt, wenn die Schulter am Ende der Arbeit ist, Dieser Vorgang wird als „Ende abändern“ bezeichnet. In diesem Fall, Reduzieren Sie den äußeren Teil auf einen Durchmesser von ca. 1/4 Zoll. größer als die Werkzeugmitte Durchmesser. Den Restbestand können Sie später absägen.

SCHNEIDBUCHTEN

Markieren Sie die Kanten mit einem Bleistift. Dann groben Sie es mit dem Hohleisen oder Rundmeißel bis auf ca. 1/8 Zoll der gewünschten Oberfläche vor. Wenn die Hohlkehle sehr breit sein soll, können Sie die Grobschnitte vornehmen, um die Grobbearbeitung zu planen. Sobald die Grobbearbeitung abgeschlossen ist, die Hohlkehle kann in zwei Schnitten fertiggestellt werden; eine von jeder Seite nach unten in der Mitte. Zu Beginn eines jeden Schnitts wird das Hohleisen mit dem Griff

hochgehalten und die beiden Seiten der Klinge zwischen Daumen und Zeigefinger des Werkzeugauflegegriffs gehalten. direkt hinter der Fase. Positionieren Sie die Finger so, dass Sie die Klinge in die Wölbung rollen können. Halten Sie die Klinge so, dass die Abschrägung einen 90-Grad-Winkel zur Arbeitsachse bildet. wobei die Spitze die Bleistiftlinie berührt und in die Arbeitsachse zeigt.

Von diesem Start an Drücken Sie die Spitze leicht nach unten, um mit dem Schneiden zu beginnen, und bewegen Sie die Spitze dann weiter nach unten in Richtung der unteren mittleren Bucht. Gleichzeitig führen Sie den Meißel gleichmäßig aus, sodass am Ende des Schnitts, Am Boden der Bucht wird es flach sein. Das Ziel besteht darin, den Schnitt von Anfang bis Ende mit der äußersten Spitze des Hohleisens auszuführen. Um die gegenüberliegende Seite zu schneiden, führen Sie die Bewegungen in umgekehrter Reihenfolge aus.

V-SCHNEIDEN

V-Nuten können entweder mit der Spitze oder der Ferse des Schrägschneiders geschnitten werden. Wenn die Spitze verwendet wird, der Schneidvorgang ist genau der gleiche wie beim Trimmen einer Schulter, außer dass die Schräglage geneigt ist

Schneiden Sie an der gewünschten Fase. Leichte Schnitte sollten zuerst auf einer Seite vorgenommen werden, dann der andere, Vergrößern Sie das V schrittweise auf die erforderliche Tiefe und Breite.

Wenn die Ferse verwendet wird, wird die Schräge nach unten in das Werkstück gedreht, wobei die Werkzeugauflege als Drehpunkt dient. Ansonsten, Schnittposition und Schnittfolge sind gleich. Wie bei der Verwendung der Zehe, Es ist wichtig, dass nur mit dem äußersten Ende der Schneide geschnitten wird. Wenn tiefe Vs geplant sind, Es geht schneller, wenn Sie mit dem Anfang einen Passschnitt in der Mitte jedes Vs machen. Das Schaben von V-Profilen kann auch mit dem Spitzmeißel oder einer Dreikantfeile erfolgen.

DAS PROJEKT ENTWURF

Erstellen Sie zunächst einen Entwurf, um ein visuelles Muster

bereitzustellen, an dem Sie sich beim Drechseln orientieren können. Das Muster kann auf die gleiche Weise wie Spindelmuster angelegt werden. Zum optischen Vergleich können Vorlagen an das Werkstück gehalten werden. Kreise zur Lokalisierung der verschiedenen kritischen Punkte können schnell auf die Rotierendes Arbeiten durch Verwendung von Teilern.

DAS PROJEKT UMSETZEN

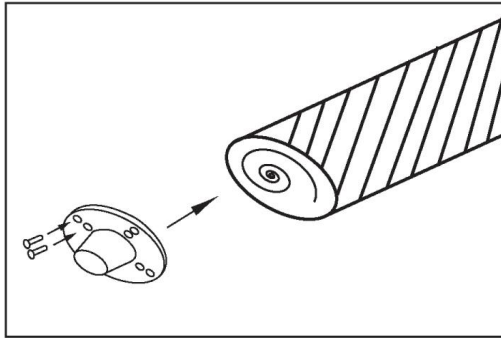
Der erste Schritt besteht darin, so viel Holz wie möglich zu entfernen, indem man mit dem größten verfügbaren Holzbohrer in die Mitte bohrt. Achten Sie darauf, vorher die Bohrtiefe zu messen.


Nächste, Entfernen Sie den Großteil der Abfälle durch Schaben mit dem Rundschaber oder der Schalenröhre.

Entfernen Sie auf diese Weise bis zu 1/8 Zoll der fertigen Größe. Beenden Sie den Innenumfang, indem Sie mit der runden Nase oder dem linken runden Schaber. Glätten Sie den Boden der Vertiefung, indem Sie ihn mit einem Flachscher abkratzen. Versuchen Sie immer, den Teil der Werkzeugablage, der das Werkzeug stützt, so nah wie möglich an der Arbeitsfläche zu positionieren.

MONTAGE DES WERKSTÜCKS AN DER FRONTPLATTE

Sie können die Planscheibe direkt am Werkstück befestigen, indem Sie vier (oder acht) Holzschrauben (separat erhältlich). Dies ist ein einfacher Vorgang, der nach Möglichkeit verwendet werden sollte.



WARNUNG	
	<p>Stellen Sie immer sicher, dass das Werkstück sicher an der Planscheibe oder zwischen den Spitzen befestigt ist. Achten Sie beim Drehen der Planscheibe immer darauf, dass die Schraubverbindungen beim Arbeiten nicht mit dem Drehwerkzeug in Berührung kommen.</p>

Planscheiben-Drehen

Drehmaschinen, die nicht zwischen Spitzen montiert werden, benötigen eine Planscheibe für Halten des Werkstücks. Alle Werkstücke dieser Art sollten etwas überdimensioniert sein um Schruppschnitte und Vibrationen zu vermeiden.



AUFMERKSAMKEIT

Schalten Sie die Maschine niemals ein, während Sie den Meißel gegen das Material drücken!



BEACHTEN

- Stellen Sie vor dem Einschalten der Maschine sicher, dass die Werkzeugauflage fest angezogen ist
- Durch Drehen des eingespannten Werkstückes vor jedem Drehen mit der Hand ist sicherzustellen, dass dieses frei läuft und nicht am Gegenwerkzeug anschlägt!
- Dabei auch prüfen, ob das Werkstück zentriert ist und fest eingespannt ist!
- Achten Sie darauf, den Meißel während der Bearbeitung mit beiden Händen sicher und fest zu führen und zu halten!
- Nur mit gut geschärftem Werkzeug arbeiten!
- Große und unwuchtige Werkstücke nur bei niedriger Spindeldrehzahl bearbeiten!
- Vorgaben bezüglich der maximalen bzw. minimalen Größe des Werkstückes sind unbedingt zu beachten!
- Werkstücke mit Rissen dürfen nicht verwendet werden!
- Nur ausgesuchte und fehlerfreie Hölzer verarbeiten!

Betrieb

Ein-Aus-Schalter


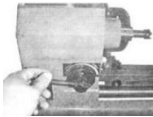
Einschalten: Grüne Taste („I“) 2 Sekunden lang drücken. Die Maschine beginnt zu laufen.

Ausschalten: Drücken Sie die rote Taste („0“).


Die Maschine stoppt nicht sofort! Bleiben Sie so lange an der Maschine, bis das Werkstück komplett zum Stillstand gekommen ist (Werkstück nicht per Hand stoppen!)

Geschwindigkeitseinstellung



Durch Drehen des Drehzahlregulierhebels lässt sich die Drehzahl stufenlos einstellen.

BEACHTEN		
	<p>Sie müssen den Hebel auf die niedrigste Geschwindigkeitseinstellung stellen, bevor Sie den Schalter betätigen. EIN/AUS, sonst startet der Motor möglicherweise nicht!</p>	

Werkzeugablage

BEACHTEN	
	<p>Die Werkzeugaufgabe sollte möglichst nah am Werkstück gewählt werden! Höheneinstellung knapp unterhalb der Werkstückmittellinie. Drehen Sie das Werkstück von Hand und prüfen Sie vor dem Drehen, ob sich das Werkstück frei drehen lässt!</p>

MAINTENANCE

AUFMERKSAMKEIT		
	<p>Führen Sie sämtliche Wartungseinstellungen an der Maschine nur durch, wenn die Maschine vom Stromnetz getrennt ist!</p> <p>Schwere Verletzungen durch unbeabsichtigtes oder automatisches Einschalten der Maschine!</p>	

Die Maschine erfordert keinen großen Wartungsaufwand. Sollten Störungen und Defekte auftreten, überlassen Sie die Wartung ausschließlich geschultem Personal.

Vor der ersten Inbetriebnahme sowie später alle 100 Betriebsstunden sollten Sie sämtliche Verbindungsteile schmieren (ggf. vorher mit einer Bürste sämtliche Späne und Staub entfernen).

Kontrollieren Sie regelmäßig den Zustand der Sicherheitsaufkleber und ersetzen Sie diese bei Bedarf.

Überprüfen Sie regelmäßig den Zustand der Maschine.

Der gute Zustand und die perfekte Einstellung der Führungsrollen sind Voraussetzung für eine reibungslose Bandführung und einen sauberen Schnitt.

Lagern Sie die Maschine an einem geschlossenen, trockenen Ort.

BEACHTEN

Reinigen Sie Ihre Maschine regelmäßig nach jedem Gebrauch – das verlängert die Lebensdauer der Maschine und ist Voraussetzung für eine sichere Arbeitsumgebung.

Reparaturarbeiten dürfen nur von entsprechend geschultem

Fachpersonal durchgeführt werden!

Wartungsplan

Nach jeder Arbeitsschicht:

Reinigen Sie die Maschine und ihre Teile mit einem starken Druckluftstrahl von Holzstaub und anderen Materialresten. Bewegliche Teile können auch mit einer Bürste oder einer weichen Bürste gereinigt werden. Tragen Sie eine dünne Schicht Schmieröl auf alle beweglichen Teile der Maschine auf.


Nach 50 Betriebsstunden

Überprüfen Sie die Keilriemen.

Ursache für ausgefranste Riemen ermitteln. Prüfen, ob Unebenheiten oder Rauheiten an den Keilriemenscheiben vorhanden sind. Ausgefranste oder ausgeleierte Riemen austauschen!

Reinigung

Nach jeder Arbeitsschicht muss die Maschine gereinigt werden. Späne etc. mit geeignetem Werkzeug entfernen. Nicht mit der Hand entfernen (Schnittgefahr!). Staub ebenfalls entfernen.

BEACHTEN	
	<p>Die Verwendung bestimmter Lösungen mit metallschädigenden Inhaltsstoffen sowie die Verwendung von Scheuermitteln schädigen die Maschinenoberfläche!</p> <p>Reinigen Sie die Maschinenoberfläche mit einem feuchten, in einer milden Lösung getränkten Tuch.</p>

Entsorgung

Werfen Sie das Gerät nicht in den Restmüll. Informieren Sie sich bei Ihrer Gemeindeverwaltung über die verfügbaren Entsorgungsmöglichkeiten.

Wenn Sie bei Ihrem Händler vor Ort ein Ersatzgerät kaufen, ist dieser verpflichtet, Ihr altes Gerät auszutauschen.


TROUBLE SHOOTING

BEVOR SIE MIT DEN ARBEITEN ZUR DEFEKTBESEITIGUNG BEGINNEN, TRENNEN SIE DIE MASCHINE VOM STROMNETZ .

Problem	Mögliche Ursache	Lösung
Lauter Betrieb	<ul style="list-style-type: none"> a. Falsche Riemenspannung b. Lose Riemenscheibe c. Loses Rad d. Schlechtes Lager 	<ul style="list-style-type: none"> a.Spannung einstellen b.Riemenscheibe festziehen c.Riemenspannung einstellen d.Lager ersetzen
Motor startet nicht	<ul style="list-style-type: none"> a.Stromversorgung b.Motoranschluss c.Switch-Verbindungen d.Motorwicklungen durchgebrannt e. Schlechter Schalter 	<ul style="list-style-type: none"> a. Überprüfen Sie das Netzkabel b. Überprüfen Sie die Motoranschlüsse c. Überprüfen Sie die Motoranschlüsse d.Motor ersetzen e.Schalter ersetzen

Werkzeugauflage oder Reitstock schwer zu bewegen	a. Benötigt Schmierung b. Gebogene Bettgitter c. Kontermutter festgezogen	a. Schmierung mit Leichtöl b. Bettgitter gerade richten c. Kontermutter lösen
---	--	---

VIELE POTENZIELLE FEHLERQUELLEN KÖNNEN DURCH DEN FACHMÄSSIGEN ANSCHLUSS AN DAS STROMNETZ BESEITIGT WERDEN.

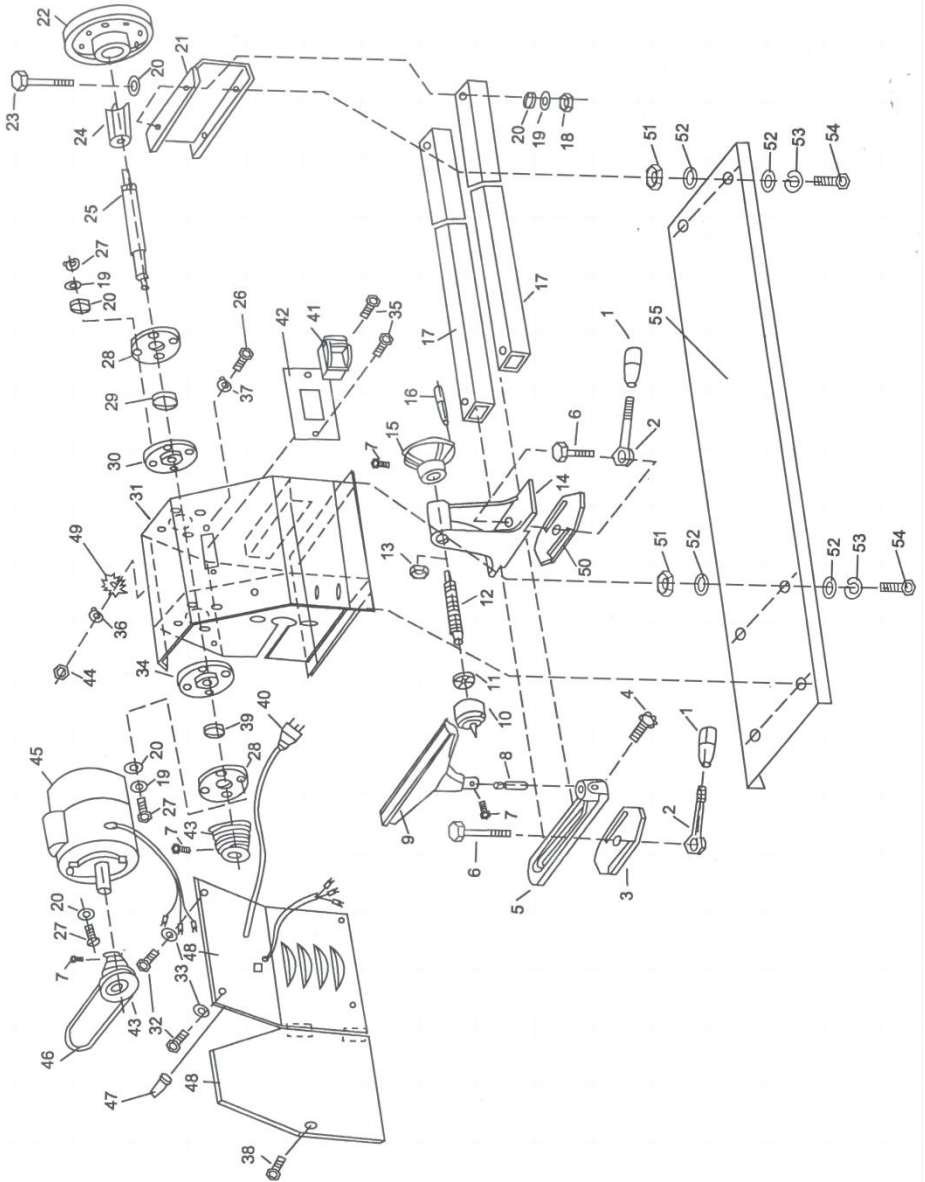
	BEACHTEN
	Sollten Sie notwendige Reparaturen nicht fachgerecht durchführen können oder Ihnen die vorgeschriebene Ausbildung dafür fehlt, ziehen Sie immer eine Werkstatt zur Behebung des Problems hinzu.

EXPLOSIONSZEICHNUNG / EXPLOSION DRAWING

INDEX-NR.	BESCHREIBUNG	GRÖSSE	Menge
1	Griffknopf des Schlosses		2
2	Schlossgriff		2
3	Klemme		1
4	Feststellknopf		1
5	Werkzeugauflagehalter		1
6	Bolzen	(M14x70)	2
7	Bolzen	(M6x10)	4
8	Stützstange		1
9	Werkzeugablage		1
10	Center		1
11	Lager	6201	1
12	Reitstockspindel		1
13	Schrauben	(M18)	1

14	Reitstock		1
15	Handrad		1
16	Handradstange		1
17	Bettgitter		2
18	Nuss	(M8)	4
19	Federscheibe	8	12
20	Waschmaschine	8	18
21	Fan		1
22	Frontplatte		1
23	Bolzen	(M8x55)	4
24	Antriebszentrum		1
25	Antriebsspindel		1
26	Bolzen	(M4x10)	2
27	Schrauben	(M8x16)	10
28	Lagerscheibe		2
29	Lager	6204	1
INDEX-NR.	BESCHREIBUNG	GRÖSSE	Menge
30	Pflegebasis		1
31	Kabinett		1
32	Bolzen	(M5x12)	4
33	Waschmaschine	(5)	4
34	Lagerbasis		1
35	Fleck	(M4x12)	2
36	Federscheibe	(4)	2
37	Waschmaschine	(4)	2
38	Bolzen	(M8x16)	1
39	Pflege	6203	1
40	Stecker		1
41	Schalten		1
42	Schalttafel		1
43	Riemenrad		2
44	Nuss	(M4)	2
45	Motor		1

46	Dreieckgürtel	(0500)	1
47	Busch		1
48	Eclt und Riemenscheibenabdeckung		1
49	Bärenwaschmaschine	(4)	2
50	Klemme		1
51	Nuss	(8)	6
52	Waschmaschine	(8)	12
53	Federscheibe	(8)	6
54	Bolzen	(M8x20)	6
55	Grundplatte		1



VEVOR[®]

TOUGH TOOLS, HALF PRICE

Technisch Support und E-Garantie-Zertifikat

www.vevor.com/support

VEVOR[®]

TOUGH TOOLS, HALF PRICE

Tecnico Supporto e certificato di garanzia elettronica www.vevor.com/support

TORNIO PER LEGNO

MANUALE DI ISTRUZIONI

MODELLO: MODELLO MCS1000

We continue to be committed to provide you tools with competitive price.

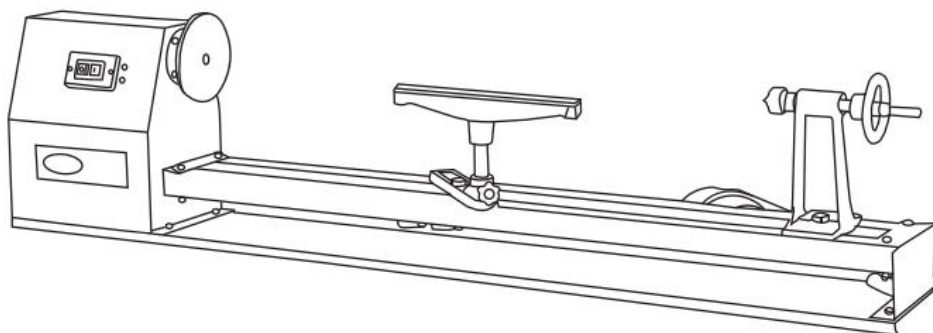
"Save Half", "Half Price" or any other similar expressions used by us only represents an estimate of savings you might benefit from buying certain tools with us compared to the major top brands and does not necessarily mean to cover all categories of tools offered by us. You are kindly reminded to verify carefully when you are placing an order with us if you are actually saving half in comparison with the top major brands.

VEVOR®

TOUGH TOOLS, HALF PRICE

WOOD LATHE

MODELLO: MCS1000



NEED HELP? CONTACT US!

Have product questions? Need technical support? Please feel free to contact us:

Technical Support and E-Warranty Certificate
www.vevor.com/support

This is the original instruction, please read all manual instructions carefully before operating. VEVOR reserves a clear interpretation of our user manual. The appearance of the product shall be subject to the product you received. Please forgive us that we won't inform you again if there are any technology or software updates on our product.

MATTERS NEEDING ATTENTION

Le informazioni contenute in questo manuale sono intese come guida al funzionamento di queste macchine e non fanno parte di alcun contratto. I dati in esso contenuti sono stati ottenuti dal produttore della macchina e da altre fonti. Ci impegniamo a garantire l'accuratezza di queste informazioni e cerchiamo di verificare ogni elemento e ogni dato, ma non possiamo garantire la completa accuratezza delle informazioni, il che significa che la fornitura dell'attrezzatura potrebbe differire nei dettagli dalla descrizione delle istruzioni. Inoltre, lo sviluppo della macchina potrebbe comportare che l'attrezzatura fornita potrebbe differire nei dettagli dalle descrizioni qui contenute. La responsabilità ricade pertanto sull'utente per accertarsi che l'attrezzatura o il processo descritto sia adatto allo scopo previsto.




QUALITY ASSURANCE

Faremo ogni sforzo per garantire la qualità dei nostri prodotti e promettiamo ai consumatori che garantiremo i nostri prodotti per un anno, fatta eccezione per i danni alla macchina causati da un utilizzo improprio da parte dei clienti e per gli incidenti che ne conseguono, o per l'usura anomala e i danni causati dalla mancanza di manutenzione. Per adempiere all'impegno di garanzia, il prodotto o la parte con problemi di qualità, si prega di restituirci per la verifica, con spese di spedizione prepagate. La merce restituita deve essere accompagnata da una nota della data di acquisto e da una spiegazione scritta della qualità del prodotto. Dopo la nostra ispezione e conferma, ripareremo o sostituiremo i loro prodotti o rimborseremo il pagamento; Se non riusciamo a fornire la riparazione o la sostituzione in modo tempestivo, sosterremo i costi derivanti dalla riparazione o dalla sostituzione dei prodotti; Se il danno non è dovuto alla qualità del prodotto, ma a un funzionamento improprio dell'utente o ad altri motivi, il costo sarà a carico del cliente.






La nostra azienda si riserva il diritto di apportare modifiche a questa specifica e alle specifiche del prodotto. Faremo continui sforzi per migliorare la qualità dei nostri prodotti.


Tutti i diritti riservati. La riproduzione o la riproduzione non è consentita senza autorizzazione.

SAFETY WARNING

Symbol o	Descrizione del simbolo
	Attenzione - Per ridurre il rischio di lesioni, l'utente deve leggere attentamente il manuale di istruzioni.
	Questo simbolo, posto prima di un commento sulla sicurezza, indica un tipo di precauzione, avviso o pericolo. Ignorare questo avviso può causare un incidente. Per ridurre il rischio di lesioni, incendi o folgorazione, seguire sempre la raccomandazione mostrata di seguito.
	<p>Non sovraccaricare la macchina Fornire una buona stabilità e mantenere l'equilibrio in ogni momento Evitate posture di lavoro anomale! Assicuratevi di stare in piedi in modo squadrato e di mantenere sempre l'equilibrio. Rimani sempre concentrato quando lavori. Riduci le fonti di distorsione nel tuo ambiente di lavoro. È vietato utilizzare la macchina quando si è stanchi, così come sotto l'effetto di alcol, droghe o farmaci che influenzano la concentrazione. Non salire sulla macchina! La macchina deve essere utilizzata solo da personale formato (conoscenza e comprensione del presente manuale) e che non abbia limitazioni di capacità motorie rispetto ai lavoratori convenzionali. Non permettere ad altre persone, in particolare ai bambini, di toccare la macchina o il cavo. Tienili lontani dalla tua area di lavoro.</p>

	<p>Rendi il tuo laboratorio a prova di bambino. Assicurati che non ci sia nessuno presente nell'area pericolosa. La distanza minima di sicurezza è di 2 m Indossare un camice da lavoro adatto</p>
	<p>Pericolo! Rischio di lesioni personali o danni ambientali! Rischio di scossa elettrica! Rischio di lesioni personali da scossa elettrica!</p>
	<p>Corrente alternata</p>
	<p>Non afferrare mai il tapis roulant! Rimuovere i trucioli e le parti del pezzo in lavorazione solo a macchina ferma! Non fermare mai manualmente i pezzi in lavorazione durante l'avanzamento! Non effettuare mai misurazioni su un pezzo in rotazione!</p>
	<p>Non indossare guanti di sicurezza!</p>
	<p>Attenzione: assicurarsi di indossare protezioni acustiche quando si utilizza questo prodotto.</p>
	<p>Attenzione: indossare sempre protezioni per gli occhi quando si utilizza questo prodotto.</p>
	<p>Attenzione: assicurarsi di indossare maschere antipolvere quando si utilizza questo prodotto.</p>
	<p>Indossare abiti da lavoro adatti! Non indossare abiti larghi o gioielli perché potrebbero impigliarsi nelle parti in movimento e causare gravi incidenti! Indossare una retina per capelli se si hanno i capelli lunghi. Gli oggetti non fissati possono impigliarsi e causare gravi lesioni!</p>

	<p>Non lasciare mai la macchina in funzione senza sorveglianza! Prima di lasciare l'area di lavoro, spegnere la macchina e attendere che si fermi.</p> <p>Scollegare sempre la macchina prima di effettuare qualsiasi intervento sulla stessa.</p> <p>Evitare l'avviamento involontario</p> <p>Non utilizzare la macchina con l'interruttore danneggiato</p> <p>La spina di un utensile elettrico deve corrispondere rigorosamente alla presa. Non utilizzare adattatori insieme ad utensili elettrici con messa a terra</p>
	<p>Ogni volta che si lavora con una macchina elettrica, si consiglia cautela! C'è il rischio di scosse elettriche, incendi, ferite da taglio;</p> <p>Proteggere la macchina dall'umidità (che può causare cortocircuiti)</p> <p>Non utilizzare mai utensili e macchine elettriche in prossimità di liquidi e gas infiammabili (pericolo di esplosione)</p> <p>Controllare regolarmente il cavo per eventuali danni</p> <p>Non utilizzare il cavo per trasportare la macchina o per fissare il pezzo in lavorazione</p> <p>Proteggere il cavo da calore, olio e spigoli vivi</p> <p>Evitare il contatto del corpo con le persone collegate a terra</p>
	<p>Prima di iniziare a lavorare rimuovere eventuali chiodi e altri corpi estranei dal pezzo in lavorazione</p> <p>Tenere qualsiasi macchina non utilizzata fuori dalla portata dei bambini</p>
	<p>Questo prodotto è di classe di protezione III.</p>
	<p>Dichiarazione della FCC:</p> <p>Questo dispositivo è conforme alla Parte 15 delle Norme FCC. Il funzionamento è soggetto alle due condizioni seguenti: (1) Questo dispositivo non può causare interferenze dannose e (2) Questo dispositivo deve accettare qualsiasi interferenza</p>

	ricevuta, comprese le interferenze che possono causare un funzionamento indesiderato.
	<p>Informazioni sullo smaltimento:</p> <p>Questo il prodotto è soggetto alle disposizioni della Direttiva Europea 2012/19/CE. Il simbolo raffigurante un bidone della spazzatura barrato indica che il prodotto richiede la raccolta differenziata dei rifiuti nell'Unione Europea. Ciò si applica al prodotto e a tutti gli accessori contrassegnati con questo simbolo. I prodotti contrassegnati come tali non possono essere smaltiti con i normali rifiuti domestici, ma devono essere portati in un punto di raccolta per il riciclaggio di dispositivi elettrici ed elettronici</p>



ATTENZIONE : leggere tutte le avvertenze di sicurezza, le istruzioni, le illustrazioni e le specifiche fornite con questa macchina. La mancata osservanza di tutte le istruzioni elencate di seguito può causare scosse elettriche, incendi e/o gravi lesioni.

Conservare tutte le avvertenze e le istruzioni per riferimento futuro.

1. La macchina utensile deve essere utilizzata da personale esperto. Se non si ha familiarità con il processo di funzionamento del tornio, non utilizzare la macchina utensile a piacimento . Utilizzare le istruzioni prima di operare.
2. Prima di avviare la macchina utensile, la copertura di sicurezza deve essere nella posizione corretta posizione.
3. Prima di avviare la macchina utensile, verificare che la chiave di supporto utensile e la chiave del mandrino siano state rimosse.
4. Impedire che la macchina si avvii accidentalmente. Spegner l'alimentazione del motore prima di bloccare il pezzo in lavorazione o l'utensile.
5. Non forzare il taglio. Tagliare in base alla velocità di taglio impostata, alla


- profondità di taglio e alla velocità di avanzamento.
6. Utilizzare gli utensili giusti. Utilizzare l'utensile o il pezzo da lavorare corretto per la lavorazione.
 7. Mantenere l'utensile affilato e pulito per garantire un funzionamento normale e sicuro. Lubrificare e sostituire regolarmente gli accessori.
 8. Prima di regolare o riparare la macchina, assicurarsi di scollegare l'alimentazione elettrica.
 9. Verificare le prestazioni di sicurezza della macchina prima di avviarla. Controllare le prestazioni di tutte le parti mobili. Tutte le parti devono essere installate correttamente. Le parti danneggiate devono essere riparate tempestivamente.
 10. Quando la macchina è in funzione, l'operatore non deve allontanarsi.
 11. Mantenere pulito il posto di lavoro: un ambiente di lavoro sporco può facilmente causare incidenti.
 12. Non utilizzare la macchina in ambienti pericolosi.
Non lavorare in luoghi umidi. Assicurarsi che i componenti elettrici siano protetti dall'umidità. Mantenere una buona illuminazione.
 13. È vietato l'accesso dei bambini al luogo di lavoro e il personale non operativo deve mantenersi a distanza di sicurezza dall'area di lavoro.
 14. Per tenere i bambini fuori dall'area di lavoro. La porta deve essere chiusa a chiave quando si esce dall'officina.
 15. Vestiti in modo appropriato. Non indossare abiti larghi, guanti, cravatte, anelli, braccialetti, gioielli, ecc. Per essere sicuri, per motivi di sicurezza, indossa scarpe antiscivolo. Se hai i capelli lunghi, indossa un cappello da lavoro.
 16. Indossare occhiali protettivi durante il funzionamento.
 17. Fai attenzione a dove ti trovi e mantieni sempre l'equilibrio.
 18. Non avvicinare le mani alle parti mobili della macchina.
 19. Non effettuare alcuna operazione di impostazione mentre la macchina è in funzione.
 20. Leggere e comprendere tutti i segnali di avvertimento affissi sulla macchina.
 21. Il presente manuale ha il solo scopo di far familiarizzare i clienti con il

funzionamento della macchina e non è un manuale di formazione.

22. Si prega di rispettare queste avvertenze per evitare lesioni gravi.

23. La macchina produrrà alcune sostanze chimiche nocive nel lavoro di polvere, segatura, molatura e foratura prodotte dalla molatura. Per ridurre i danni di queste sostanze chimiche, si prega di lavorare in un luogo ben ventilato e indossare dispositivi di sicurezza. Come maschere con filtro antiparticolato.

Fattori di rischio rimanenti

AVVERTIMENTO	
	<ul style="list-style-type: none">● È importante assicurarsi che ogni macchina presenti dei rischi residui.● Nell'esecuzione di ogni lavoro (anche il più semplice) è richiesta la massima attenzione. Un lavoro sicuro dipende da te!

Anche se la macchina viene utilizzata come richiesto, è comunque impossibile eliminare totalmente alcuni fattori di rischio residui. I seguenti pericoli possono sorgere in relazione alla costruzione e alla progettazione della macchina:

- Rischio di lesioni alle mani/dita a causa del pezzo in lavorazione rotante durante il funzionamento.
- Rischio di lesioni dovuto a spigoli vivi del pezzo in lavorazione, in particolare se il pezzo non è fissato con un utensile/dispositivo idoneo.
- Pericolo di lesioni: capelli, indumenti larghi, ecc. possono essere impigliati e attorcigliati! Per quanto riguarda l'abbigliamento, è necessario rispettare le norme di sicurezza.
- Rischio di lesioni dovuto al contatto con componenti elettrici sotto tensione.

- Rischio di lesioni dovuto a emissioni di polvere, pezzi trattati con agenti nocivi
- Rischio di lesioni agli occhi dovute a detriti volanti, anche indossando occhiali protettivi.
- Rischio di lesioni all'udito dovute a lavoro prolungato senza protezioni acustiche.

Il contraccolpo è una reazione improvvisa. Ciò provoca l'espulsione dell'utensile nella direzione dell'operatore.

Questi fattori di rischio possono essere ridotti al minimo rispettando tutte le istruzioni di sicurezza e di funzionamento, eseguendo una corretta manutenzione della macchina e utilizzandola in modo competente e appropriato da personale con conoscenze tecniche ed esperienza.

TECHNICAL PARAMETER

Voltaggio	230 V / 50 Hz	110V / 60Hz
Potenza del motore	350W	
Velocità del mandrino	885/1245/1715/2425 giri/min	

Diametro massimo di tornitura	Diametro 350 mm
Diametro del perno S	Diametro 22
Filettatura del fuso	M18
Distanza tra i centri	970mm
Corsa del mandrino del contropunta	10 millimetri
Cono nel mandrino della contropunta	MT1
Peso	Peso netto: 23 kg; Peso lordo: 28,2 kg
Dimensioni del pacco	Dimensioni: 1545×300×435mm

Le informazioni generali fornite nella presente specifica non sono vincolanti.

Conosci il tuo tornio per legno : (Fig. 1)

1. INTERRUTTORE ON/OFF

Dispositivo per accendere o spegnere il tornio per legno.

2. COPERTURA CINGHIA E PULEGGIA

Copertura per cinghia e puleggia. Aprire questa copertura per raggiungere la cinghia e la puleggia quando si cambia la velocità del centro di trasmissione.

3. CENTRO DI GUIDA

Sostiene il pezzo in lavorazione per lavori di tornitura.

4. SPONDE DEL LETTO

Binari per lo spostamento della contropunta e del portautensili.

5. SUPPORTO PER UTENSILE

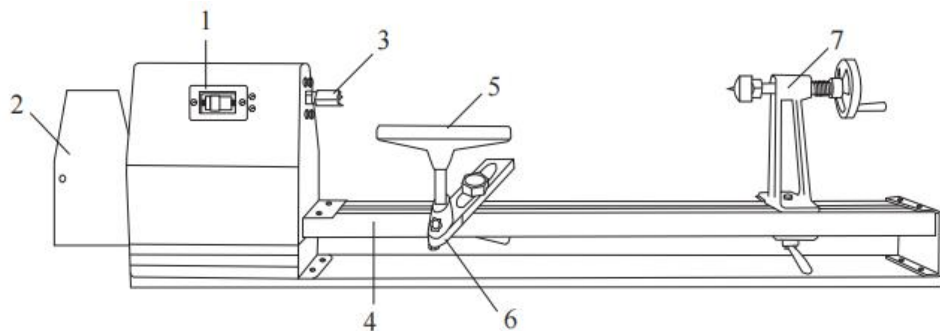
Il supporto sostiene l'utensile durante la rotazione del pezzo.

6. MANOPOLA DI BLOCCO DEL SUPPORTO UTENSILE

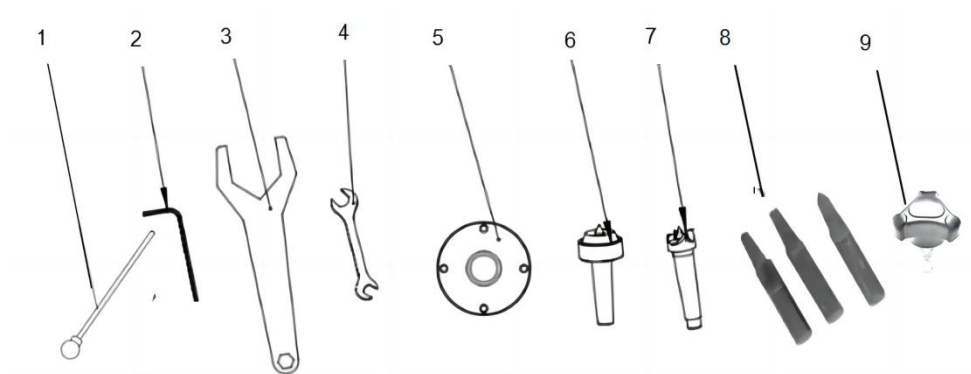
Manopola di bloccaggio per la regolazione dell'altezza del supporto utensile.

7. MONTAGGIO DEL CONTRAPPOSTO

Funziona con il centro di azionamento per tenere fermo il pezzo in lavorazione per lavori di tornitura



Accessori standard



N. PARTE	DESCRIZIONE	Quantità
1	Iniezione di asta	1
2	Chiave esagonale S3	1
3	Chiave	1
4	Chiave a forcella	1
5	Piastra frontale	1
6	Centro di vita	1
7	Centro sperone	1
8	Supporto utensile per tornio	3
9	Manico in plastica	1

INTENDED USE

La macchina deve essere utilizzata solo per lo scopo per cui è stata progettata! Ogni altro utilizzo è considerato un caso di uso improprio. Per utilizzare correttamente la macchina è necessario osservare e seguire tutte le norme di sicurezza, le istruzioni di montaggio, le istruzioni per l'uso e la manutenzione riportate nel presente manuale.

Tutte le persone che utilizzano e riparano la macchina devono conoscere il presente manuale e devono essere informate sui potenziali pericoli della macchina.

È inoltre indispensabile rispettare le norme antinfortunistiche vigenti nella propria zona.

Lo stesso vale per le norme generali di salute e sicurezza sul lavoro.

La macchina viene utilizzata per: Tornire il legno.

Qualsiasi manipolazione della macchina o delle sue parti costituisce un uso improprio, in questo caso i suoi partner commerciali non possono essere ritenuti responsabili per QUALSIASI danno diretto o indiretto.

Anche quando la macchina viene utilizzata secondo le modalità prescritte, è comunque impossibile eliminare alcuni fattori di rischio residui.



AVVERTIMENTO

- Non utilizzare mai la macchina con protezioni difettose o non montate!
- La rimozione o la modifica dei componenti di sicurezza può causare danni all'apparecchiatura e gravi lesioni!

RISCHIO ELEVATO DI INFORTUNI!

Condizioni ambientali

La macchina può essere azionata:

Umidità	Massimo 70%
Temperatura	da +5°C a +40°C (da +41°F a +104°F)

La macchina non deve essere utilizzata all'aperto o in luoghi umidi o bagnati.

La macchina non deve essere utilizzata in aree esposte a un rischio elevato di incendio o esplosione.

Uso proibito

È vietato utilizzare la macchina al di fuori dei limiti tecnici indicati nel presente manuale.

È vietato il funzionamento della macchina senza il pulsante di arresto di emergenza o la scatola della girante con le porte aperte.

È vietato l'uso della macchina non conforme alle dimensioni richieste.

È vietato l'uso di macchine non idonee all'uso previsto e non certificate.

È vietato utilizzare la macchina per scopi diversi da quelli descritti nel presente manuale d'uso.

È vietato intervenire sulla macchina senza sorveglianza durante il processo di lavorazione!

Non è consentito abbandonare l'area di lavoro immediata durante l'esecuzione dei lavori.

UNPACKING AND CLEANING

1. Estrarre il tornio per la lavorazione del legno dalla scatola
2. Controllare tutti gli accessori della macchina utensile secondo la lista di imballaggio.
3. Scegliere un luogo per il tornio che sia asciutto, ben illuminato e con spazio sufficiente per poter effettuare la manutenzione del tornio su tutti e quattro i lati.
4. Per evitare di torcere il letto, la posizione del tornio deve essere assolutamente piana e livellata. Avvitare il tornio al supporto (se utilizzato).
5. Pulire tutte le superfici protette dalla ruggine utilizzando un solvente commerciale delicato, cherosene o gasolio. Non utilizzare diluente per vernici, benzina o diluente per lacca. Questi danneggeranno le superfici verniciate. Coprire tutte le superfici pulite con un leggero strato di olio per macchine 20W.

ASSEMBLY

Contenuto della consegna

Si prega di controllare il contenuto del prodotto immediatamente dopo la ricezione per eventuali danni da trasporto o parti mancanti. I reclami per danni da trasporto o parti mancanti devono essere presentati immediatamente dopo la ricezione iniziale della macchina e il disimballaggio prima di metterla in funzione. Si prega di comprendere che reclami successivi non possono più essere accettati.

Requisiti del posto di lavoro

Il posto di lavoro deve soddisfare i requisiti.

Il terreno deve essere uniforme, livellato e duro. Deve essere adatto almeno a pesare con un peso per metro quadro doppio rispetto al peso netto della macchina.

Il posto di lavoro scelto deve avere accesso a una rete di alimentazione elettrica idonea e conforme ai requisiti delle macchine.

Trasporto

La macchina può essere trasportata imballata con un carrello elevatore. La macchina è molto pesante. La macchina deve essere sollevata dalla cassa solo con un dispositivo di sollevamento idoneo certificato per essere in grado di trasportare il carico della macchina.



AVVERTIMENTO

Il sollevamento ed il trasporto della macchina devono essere effettuati esclusivamente da personale qualificato e devono essere effettuati con attrezzature idonee .

Preparazione della superficie

Le parti metalliche non rivestite della macchina sono state isolate con uno strato grasso per inibire la corrosione.

Questo strato deve essere rimosso. Puoi usare solventi standard che non danneggiano la superficie della macchina.



AVVISO

- **Non utilizzare solventi a base di nitrito, solventi aggressivi come detergenti per freni o abrasivi!**
- **Danneggiano la superficie della macchina.**

Alimentazione elettrica



ATTENZIONE

**Quando si lavora con macchine non collegate a terra:
L'elettrocuzione può causare gravi lesioni o addirittura la morte!
Pertanto : la macchina deve essere utilizzata con una presa di corrente dotata di messa a terra.**

Il collegamento della macchina alla rete elettrica e i controlli successivi devono essere eseguiti esclusivamente da un elettricista adeguatamente formato.

- y. Il collegamento elettronico della macchina è predisposto per il funzionamento con una presa di corrente dotata di messa a terra!
- z. L'alimentazione di rete deve essere assicurata con 16A:
 - aa. Se la spina del connettore non si adatta o è difettosa, solo un elettricista qualificato può modificarla o sostituirla!
 - ab. Il filo di messa a terra deve essere di colore verde-giallo.
 - ac. Un cavo danneggiato deve essere sostituito immediatamente!
 - ad. Controllare se la tensione di alimentazione e gli Hz sono conformi ai valori richiesti dalla macchina. È consentita una deviazione della tensione di alimentazione di $\pm 5\%$.
 - ae. Dopo il collegamento, controllare la direzione di marcia corretta!
 - af. Assicuratevi che un'eventuale prolunga sia in buone condizioni e adatta alla trasmissione di energia. Un cavo sottodimensionato riduce la trasmissione di energia e si riscalda.

OPERATING ADJUSTMENTS

REGOLAZIONE DELLA TENSIONE DELLA CINGHIA

Il tornio è imballato con la cinghia installata. Tuttavia, sarà necessario regolarlo prima dell'uso.

1. Scollegare il tornio dalla fonte di alimentazione.
2. Allentare e rimuovere il bullone esagonale con una chiave regolabile. (come nella figura 1)
3. Premere verso il basso la cinghia con la mano. La cinghia dovrebbe muoversi di 1/2" se impostata correttamente. (come nella figura 2)

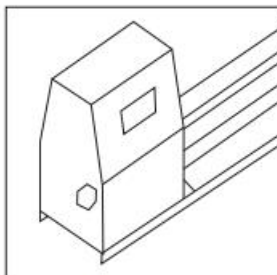


Figure 1

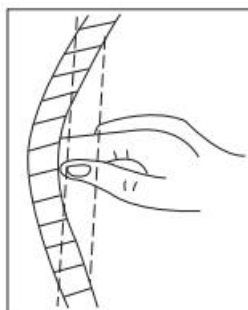


Figure 2

REGOLAZIONE DELLA VELOCITÀ

quattro velocità del mandrino: 1100, 1600, 2300 e 3400 giri/min (885 , 1245 , 1715 , 2425). Il grafico 1 illustra a quale puleggia deve essere posizionata la cinghia per ottenere quattro velocità. Il grafico 2 illustra le velocità appropriate per il pezzo in lavorazione.

GRAFICO-1

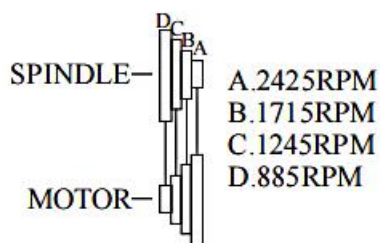
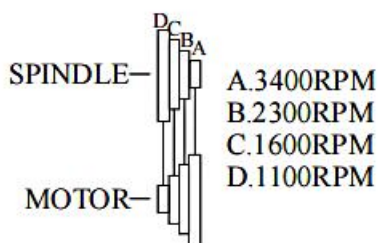
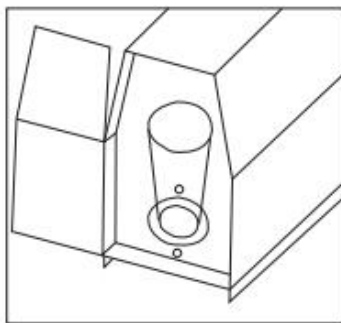


GRAFICO-2

Roughing off	General cutting	Fine cutting	Finishing
1100RPM	1600RPM	2300RPM	3400RPM
885RPM	1245RPM	1715RPM	2425RPM

16. Scollegare il tornio dalla fonte di alimentazione.
17. Aprire il coperchio della cinghia e della puleggia.
18. Allentare la puleggia del motore allentando i bulloni con una chiave regolabile (come in figura)
19. Posizionare la cinghia trapezoidale nella posizione corretta per la velocità desiderata.
20. Regolare la cinghia trapezoidale alla tensione corretta e stringere la puleggia del motore.

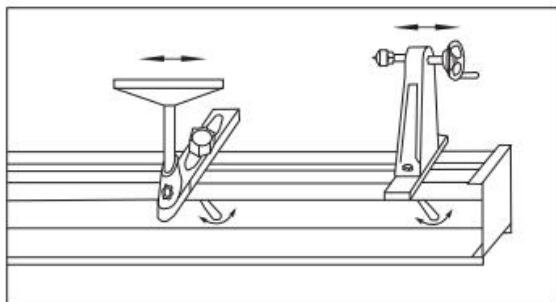
NOTA: per una corretta tensione della cinghia, premere sulla cinghia con la mano. La cinghia dovrebbe muoversi di 1/2" se impostata correttamente



GRUPPO CONTROPUNTA MOBILE E SUPPORTO UTENSILE

Il gruppo contropunta e il supporto utensile sono fissati al letto con una maniglia di bloccaggio proprio sotto le guide del letto. Per spostarli nella nuova posizione:

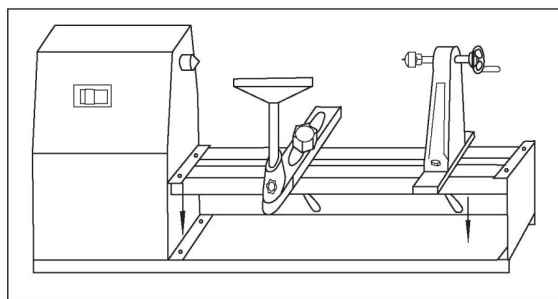
1. Scollegare il tornio dalla fonte di alimentazione.
2. Allentare la maniglia di bloccaggio con la manopola.
3. Far scorrere il gruppo contropunta o il supporto utensile lungo il letto e serrare nuovamente la maniglia di bloccaggio. (come in figura)



MONTAGGIO DEL TORNIO

Il tornio deve essere montato su una superficie di supporto solida come un supporto o banco di lavoro durante il funzionamento. Per montare il tornio:

1. Scollegare il tornio dalla fonte di alimentazione.
2. Individuare e contrassegnare il punto in cui verrà montato il tornio (come in figura).
3. Praticare quattro (4) fori da 5/16" di diametro sul banco da lavoro.
4. Posizionare il tornio sul banco da lavoro, allineando i fori nel letto con i fori praticati
banco da lavoro.
5. Inserire quattro bulloni (venduti separatamente) e serrare.



RIMOZIONE DEL MANDRINO DELLA CONTROPUNTA

Per rimuovere il perno della contropunta dal gruppo della contropunta:

1. Scollegare il tornio dalla fonte di alimentazione.
2. Rimuovere il volantino allentando la vite di fissaggio con una chiave esagonale da 1/8" lontano dal mandrino (come nella figura 1).
3. Svitare il perno della contropunta dal gruppo della contropunta (come

nella figura 2).

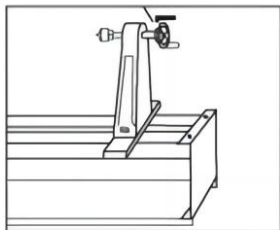


Figure 1

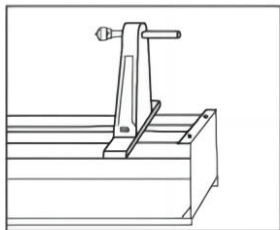


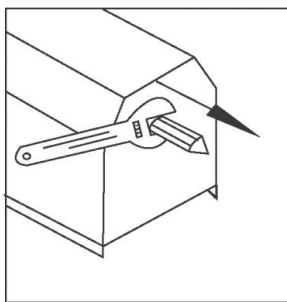
Figure 2

RIMOZIONE DEL CENTRO DI TRASMISSIONE

Il centro di azionamento deve essere rimosso per essere collegato al pezzo durante la tornitura del mandrino. Deve essere rimosso anche quando si collega la piastra frontale per la tornitura della piastra frontale.

Per rimuovere il centro di azionamento dal mandrino di azionamento:

1. Scollegare il tornio dalla fonte di alimentazione.
2. Utilizzare la chiave per tenere fermo il collo piatto del mandrino di azionamento. Quindi svitare il centro di azionamento in senso antiorario (come in figura).

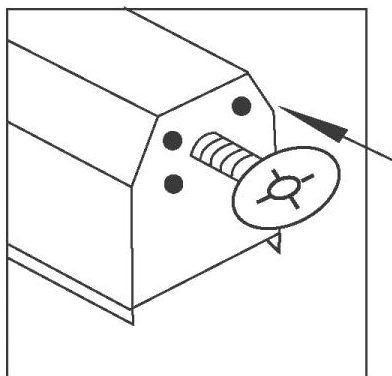


INSTALLAZIONE DELLA PIASTRA FRONTALE

La piastra frontale è fornita con il tornio. Per installare la piastra frontale:

1. Scollegare il tornio dalla fonte di alimentazione.

2. Rimuovere il centro di trasmissione dal mandrino motore.
3. Allineare il foro centrale della piastra frontale alla filettatura del mandrino (come in figura).
4. Avvitare la piastra frontale al mandrino.



CENTRI DI ALLINEAMENTO

Se i centri non sono nelle linee, apportare le seguenti modifiche:

1. Spostare il gruppo contropunta vicino al gruppo centro di trasmissione (come figura 1)
2. Bloccare il gruppo contropunta.
3. Allentare i quattro bulloni esagonali attorno al centro di trasmissione (come nella figura 2).
4. Ruotare il centro di trasmissione in modo che i due centri siano allineati, quindi serrare i bulloni.

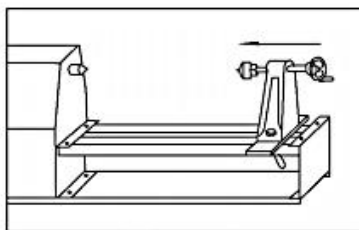


Figure 1

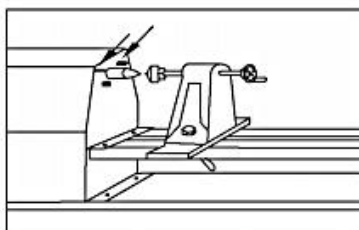


Figure 2

Il dispositivo deve essere utilizzato solo in perfette condizioni. Ispezionare visivamente il dispositivo ogni volta che deve essere utilizzato. Controllare in particolare i dispositivi di sicurezza, i comandi elettrici, i cavi elettrici e i collegamenti a vite per eventuali danni e se sono serrati correttamente. Sostituire eventuali parti danneggiate prima di utilizzare il dispositivo.

TORNITURA A MANDRINO

Le seguenti istruzioni daranno a un principiante un inizio nell'uso del tornio per legno. Utilizzare un pezzo di legno per controllare l'impostazione e per avere la sensazione delle operazioni prima di tentare un lavoro regolare.

ATTENZIONE Tenere sempre le mani lontane dal centro di trasmissione o dal pannello frontale quando l'alimentazione è accesa.

1. Scegli un pezzo di legno.
2. Tracciare delle linee diagonali sulla testa per individuare il centro. (come nella figura 1)
3. Alla fine, fai un taglio con la sega di circa 1/16" di profondità su ogni linea diagonale. Questo è per il centro di trasmissione. Un mini seghetto è utile per questo. L'altro la fine è per il centro della contropunta.
4. Utilizzare un martello di legno (gomma) o di plastica, spingere il centro del contropunta nel legno. Rimuovere il centro del contropunta (come nella figura 2).
5. Guidare il centro di trasmissione nell'altra estremità del legno. Assicurarsi che gli speroni siano nei tagli della sega. Rimuovere il centro di trasmissione.
6. Pulire i centri, la filettatura del mandrino di azionamento e il foro filettato del corpo della contropunta. Installare il centro di azionamento nel mandrino di azionamento e il centro della contropunta nel corpo della contropunta.
7. Posizionare il legno tra i centri e bloccare il corpo della contropunta.
8. Spostare il centro del contropunta nel legno ruotando il volantino.

- Assicurarsi che il centro di guida e il centro di trasmissione siano "inseriti" nel legno nei fori realizzati nei passaggi 4 e 5. Ruotare il legno manualmente ruotando il volantino.
9. Regolare il poggiautensili a circa 1/8" di distanza dagli angoli del legno e 1/8" sopra la linea centrale. Bloccare la base del poggiautensili e il poggiautensili (come nella figura 3).
 10. Ruotare il legno manualmente per assicurarsi che gli angoli non colpiscano il supporto dell'utensile.
 11. Controllare l'impostazione della velocità suggerita nella tabella di selezione della velocità.
 12. Eseguire la regolazione frequentemente come nel passaggio 9 man mano che il diametro del pezzo si riduce.

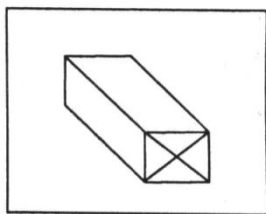


Figure 1

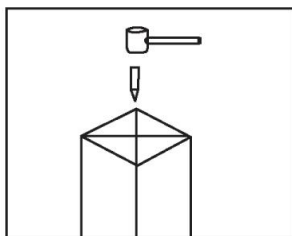


Figure 2

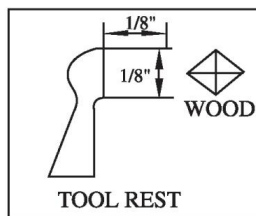


Figure 3

POSIZIONE DELLA MANO

La posizione delle mani rispetto all'utensile sarà determinata dalla quantità di leva richiesta.

La posizione della mano di appoggio dell'utensile è normalmente quella con il palmo della mano rivolto verso l'alto. Il primo dito funge da guida, scivolando lungo il poggiautensile durante il taglio. La presa con il palmo della mano verso il basso può essere utilizzata per applicazioni di sgrossatura pesanti. Il tallone della mano o il mignolo fungeranno da guida.

SGROSSATURA DI UN CILINDRO A MANDRINO

Per questa operazione di tornitura si utilizza la sgorbia grande. Per questa operazione, far funzionare il tornio a bassa velocità. Il taglio dovrebbe iniziare a circa 2" dall'estremità della contropunta e continuare verso

l'estremità della contropunta. Ogni taglio corrispondente avverrà a circa 3" sul lato sinistro del primo taglio. Questo continuerà fino a raggiungere una posizione a 2" dal centro della testa. Quindi, si farà rotolare la sgorbia nella direzione opposta, che porterà il taglio fino alla fine del mandrino.

COME USARE UNO STRUMENTO DI SEPARAZIONE

Lo strumento di separazione ha uno scopo principale: tagliare dritto nel pezzo in lavorazione alla profondità desiderata o completamente per effettuare un taglio. È, quindi, uno strumento molto stretto (1/8" di larghezza) ed è sagomato per tagliare il proprio spazio in modo che il bordo non venga bruciato. Quando viene utilizzato per raschiare, Tuttavia, è opportuno spegnerlo regolarmente per evitare il surriscaldamento.

A differenza della sgorbia e della sgorbia, l'utensile da taglio raramente viene tenuto con la smussatura a contatto con il pezzo da lavorare. Poiché la quantità di materiale rimosso è piccola, non è necessario un supporto per lo smusso. L'utensile viene semplicemente inserito nel pezzo da lavorare in diagonale (per il taglio) , o puntato verso il centro del pezzo in lavorazione (per raschiare).

COME USARE UNO SKEW

Questo strumento viene quasi sempre utilizzato per effettuare tagli rifiniti, per tagliare V e perline o per squadrare le spalle. Se usato correttamente, produce la migliore finitura che si possa ottenere con uno scalpello. Dovrebbe essere usato molto poco per raschiare, poiché questo lo ottunde rapidamente.

Per il taglio di finitura, l'inclinazione è mantenuta con il tagliente notevolmente in anticipo rispetto all'impugnatura, con la smussatura rivolta verso il basso. Mantieni l'inclinazione ben oltre il lavoro, tirarlo indietro finché il bordo non inizia a tagliare, quindi ruotare la maniglia in posizione per far avanzare il taglio. Sia la punta che il tallone dello skew possono essere utilizzati per effettuare tagli leggeri. Non penetrare troppo in profondità nel legno senza tagliarlo autorizzazioni, poiché sussiste il rischio di bruciare la punta dell'utensile.

TAGLIO DI UNA SPALLA

Una spalla può essere il lato di una porzione quadrata lasciata nel pezzo in lavorazione, il lato di una sezione tornita, o la fine del pezzo lavorato. La maggior parte delle spalle sono perpendicolari all'asse di lavoro, ma una spalla può avere qualsiasi angolazione.

Primo, segnare la posizione della spalla con una matita tenuta sul pezzo in lavorazione in rotazione. Quindi effettuare un taglio di dimensionamento tramite l'utensile di separazione, posizionando il taglio a circa 1/16" all'esterno della posizione della spalla. Tagliare a 1/8" della profondità desiderata per la zona esterna alla spalla. Se la spalla è bassa, la punta dell'obliquo può essere utilizzata per effettuare il taglio dimensionale. Non andare più in profondità di 1/8" con l'obliquo a meno che non vengano tagliate delle V più larghe per lasciare spazio per l'utensile.

Utilizzare la sgorbia per rimuovere eventuali scarti di materiale all'esterno della spalla. Levigare la sezione fino a 1/8" dalla spalla. A meno che non sia più alta di 1", è meglio farlo con l'inclinazione da 1/2 pollice.

Primo, utilizzare la punta della lama obliqua per rimuovere i trucioli dal lato della spalla fino alla dimensione finale. Mantenere l'inclinazione in modo che il bordo inferiore dello smusso accanto alla spalla sia quasi parallelo al lato della spalla. Assicurati che il tagliente sia rivolto verso l'alto, in modo che solo la punta estrema esegua il taglio. Se il bordo tagliente è piatto contro la spalla, lo scalpello funzionerà. Iniziare con la maniglia bassa e poi sollevarla per far avanzare la punta nel lavoro. Tagliare fino al diametro finito dell'area esterna, quindi ripulisci l'angolo avanzando il tallone della obliquità in esso lungo la superficie dell'area esterna. Inclinare il tagliente, con la maniglia sollevata, in modo che solo il tallone estremo faccia il taglio se la spalla è a fine lavoro, il processo è chiamato "acquarellatura della fine". In questo caso, ridurre la parte esterna ad un diametro di circa 1/4" più grande del centro dell'utensile diametro. Successivamente ho segato via gli scarti.

TAGLIO DELLE CAVE

Utilizzare un segno a matita per indicare i bordi. Quindi sgrossarlo fino a

circa 1/8" della superficie di finitura desiderata raschiando con la sgorbia o lo scalpello a punta tonda. Se la cavità deve essere molto ampia, è possibile effettuare tagli dimensionali per tracciare la sgrossatura. Una volta sgrossato, la cala può essere rifinita in due tagli; uno da ciascun lato fino al centro in basso.

All'inizio di ogni taglio, la sgorbia viene tenuta con il manico alto e i due lati della lama tenuti tra il pollice e l'indice del manico del poggia-utensile, subito dietro la smussatura. Posizionare le dita pronte a far rotolare la lama nella cavità. Tenere la lama in modo che lo smusso formi un angolo di 90 gradi rispetto all'asse di lavoro, con la punta che tocca la linea della matita e che è rivolta verso l'asse di lavoro.

Da questo inizio, premere leggermente la punta per iniziare il taglio, quindi continuare a spostare la punta verso il basso in un'area verso la cavità centrale inferiore. Allo stesso tempo, scalpellare uniformemente in modo che, alla fine del taglio, sarà piatto sul fondo della baia. L'obiettivo è mantenere la punta estrema della sgorbia eseguendo il taglio dall'inizio alla fine. Eseguire i movimenti inversi per tagliare il lato opposto.

TAGLIO V

Le scanalature a V possono essere tagliate sia con la punta che con il tallone dello skew. Quando si utilizza la punta, l'azione di taglio è esattamente la stessa di quella usata per tagliare una spalla, tranne che l'inclinazione è inclinata verso

tagliare con la smussatura richiesta. I tagli leggeri devono essere eseguiti prima su un lato, poi l'altro, allargando gradualmente la V fino a raggiungere la profondità e la larghezza desiderate.

Utilizzando il tallone, l'inclinazione viene ruotata verso il basso nel pezzo da lavorare, utilizzando il supporto dell'utensile come perno.

Altrimenti, la posizione di taglio e la sequenza dei tagli sono le stesse.

Come quando si usa la punta, è importante che il taglio venga effettuato solo all'estremità del tagliente. Se sono previste delle V profonde, è più rapido iniziare eseguendo un taglio dimensionale al centro di ogni V. Le V possono essere raschiate anche con uno scalpello a punta di lancia o con una lima a tre lati.

SCHEMA DEL PROGETTO

Per prima cosa, creare un layout per avere uno schema visivo da seguire durante la tornitura. Lo schema può essere disposto nello stesso modo degli schemi dei fusi. I modelli possono essere tenuti a contatto con il lavoro per un confronto visivo. I cerchi per individuare i vari punti critici possono essere rapidamente tracciati sul lavoro rotante utilizzando i divisori.

GIRARE IL PROGETTO

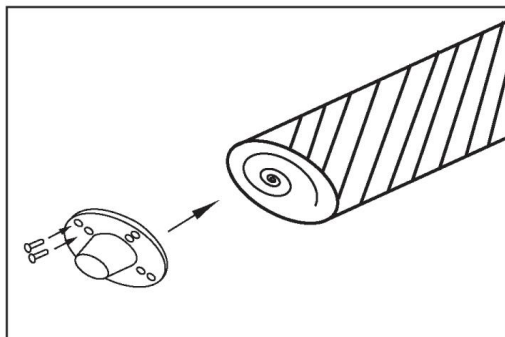
Il primo passo è quello di rimuovere quanto più legno possibile, forando il centro con la punta per legno più grande disponibile. Prestare attenzione a misurare in anticipo la profondità alla quale può arrivare il trapano.

Prossimo, rimuovere la maggior parte dei rifiuti raschiando con il raschietto a punta tonda o con la sgorbia per ciotole.

Rimuovere fino a 1/8" di dimensione finale in questo modo. Rifinire la circonferenza interna raschiando con il naso rotondo o il tondo sinistro raschietto. Lisciare il fondo della rientranza raschiandolo con un raschietto a punta piatta. Cercare sempre di posizionare la parte del supporto utensile che sostiene l'utensile il più vicino possibile alla superficie di lavoro.

MONTAGGIO DEL PEZZO IN LAVORAZIONE SULLA PIASTRA FRONTALE

È possibile montare direttamente la piastra frontale sul pezzo in lavorazione fissandone quattro (o otto) viti per legno (vendute separatamente). Si tratta di un procedimento semplice che andrebbe utilizzato ogniqualvolta sia possibile.



AVVERTIMENTO



Assicurarsi sempre che il pezzo in lavorazione sia fissato saldamente alla piastra frontale o tra i centri. Quando la piastra frontale è in rotazione, assicurarsi sempre che le viti di fissaggio non entrino in contatto con l'utensile di tornitura durante l'avanzamento del lavoro.

TORNITURA PIASTRA FRONTALE

Le torniture che non vengono montate tra i centri necessitano di una piastra frontale per tenere il pezzo in lavorazione. Tutti i pezzi in lavorazione di questo tipo dovrebbero essere leggermente sovradimensionati per eliminare tagli di sgrossatura e vibrazioni.



ATTENZIONE

Non accendere mai la macchina mentre si preme lo scalpello contro il materiale!



AVVISO

- Prima di accendere la macchina, assicurarsi che il supporto utensile sia ben serrato
- Ruotare ogni volta il pezzo in lavorazione bloccato prima di girarlo manualmente, per assicurarsi che scorra liberamente e non tocchi l'utensile rimanente!
- Controllare anche se il pezzo è centrato e serrato saldamente!
- Durante la lavorazione, assicurarsi di guidare e tenere saldamente lo scalpello con entrambe le mani!
- Lavorare solo con utensili ben affilati!
- Lavorare pezzi grandi e non bilanciati solo a bassa velocità del mandrino!
- Rispettare le specifiche relative alle dimensioni massime e minime del pezzo in lavorazione!
- Non utilizzare pezzi con crepe!
- Lavoriamo solo legni selezionati e privi di difetti!

Operazione

Interruttore On-Off


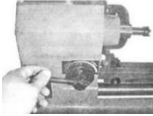
Accensione: Premere il pulsante verde ("I") per 2 secondi. La macchina inizia a funzionare.

Spegnimento: premere il pulsante rosso ("O").


La macchina non si ferma immediatamente! Rimani alla macchina finché il pezzo non si è completamente fermato (non fermare il pezzo a mano!)

Regolazione della velocità



La velocità può essere regolata in modo continuo ruotando la leva di controllo della velocità.

AVVISO		
	È necessario spostare la leva sulla velocità più bassa prima di girare l'interruttore ON/OFF, altrimenti il motore potrebbe non avviarsi!	
		

Supporto per utensili

AVVISO		
	Il supporto dell'utensile deve essere scelto il più vicino possibile al pezzo in lavorazione!	
	Regolazione dell'altezza appena sotto la linea centrale del pezzo in lavorazione.	
	Ruotare manualmente il pezzo e verificare che possa ruotare liberamente prima di girarlo!	

MAINTENANCE

ATTENZIONE		
	<p>Eeguire tutte le impostazioni di manutenzione della macchina con la macchina scollegata dall'alimentazione elettrica!</p> <p>Gravi lesioni dovute all'attivazione involontaria o automatica della macchina!</p>	

La macchina non richiede una manutenzione estesa. In caso di malfunzionamenti e difetti, farla riparare solo da personale qualificato. Prima della prima messa in funzione e successivamente ogni 100 ore di funzionamento, lubrificare tutti i componenti di collegamento (se necessario, rimuovere prima tutti i trucioli e la polvere con una spazzola). Controllare regolarmente le condizioni degli adesivi di sicurezza. Sostituirli se necessario.

Controllare regolarmente le condizioni della macchina.

Per una guida fluida del nastro e un taglio netto è essenziale che i rulli di guida siano in buone condizioni e perfettamente regolati.

Conservare la macchina in un luogo chiuso e asciutto.

AVVISO

Pulisci regolarmente la macchina dopo ogni utilizzo: ciò ne prolunga la durata e costituisce un prerequisito per un ambiente di lavoro sicuro.

I lavori di riparazione devono essere eseguiti solo da professionisti adeguatamente formati!

Piano di manutenzione

Dopo ogni turno di lavoro:

Pulire la macchina e le sue parti con un forte getto di aria compressa per eliminare polvere di legno e altri resti di materiale. Le parti mobili possono

essere pulite anche con una spazzola o una spazzola morbida. Applicare uno strato sottile di olio lubrificante su tutte le parti mobili della macchina.

Dopo 50 ore di funzionamento

Controllare le cinghie trapezoidali.

Determinare la causa delle cinghie sfilacciate. Controllare se le superfici irregolari o ruvide sono state costruite sulle pulegge delle cinghie trapezoidali. Sostituire le cinghie sfilacciate o allungate!

Pulizia

Dopo ogni turno di lavoro la macchina deve essere pulita. Rimuovere trucioli ecc. con un utensile adatto. Non rimuoverli a mano (ferite da taglio!). Rimuovere anche la polvere.

AVVISO



L'uso di determinate soluzioni contenenti ingredienti che danneggiano le superfici metalliche, così come l'uso di agenti abrasivi, danneggeranno la superficie della macchina!

Pulire la superficie della macchina con un panno umido imbevuto di una soluzione delicata.

Disposizione

Non smaltire la macchina nei rifiuti residui. Contattare le autorità locali per informazioni sulle opzioni di smaltimento disponibili. Quando si acquista un'unità sostitutiva presso il rivenditore locale, quest'ultimo è obbligato a sostituire la vecchia.

TROUBLE SHOOTING

PRIMA DI INIZIARE I LAVORI PER L'ELIMINAZIONE DEI DIFETTI, SCOLLEGARE LA MACCHINA DALLA ALIMENTAZIONE ELETTRICA .

Guaio	Possibile causa	Soluzione
Funzionamento rumoroso	<ul style="list-style-type: none"> a. Tensione della cinghia non corretta b. Puleggia allentata c. Filetto allentato d. Cattivo cuscinetto 	<ul style="list-style-type: none"> a. Regolare la tensione b. Stringere la puleggia c. Regolare la tensione della cinghia d. Sostituire il cuscinetto
Il motore non si avvia	<ul style="list-style-type: none"> a. Alimentazione b. Collegamento motore c. Connessioni switch d. Avvolgimenti del motore bruciati e. Interruttore difettoso 	<ul style="list-style-type: none"> a. Controllare il cavo di alimentazione b. Controllare i collegamenti del motore c. Controllare i collegamenti del motore d. Sostituire il motore e. Sostituire l'interruttore
Supporto utensile o contropunta difficile da spostare	<ul style="list-style-type: none"> a. Necessità di lubrificazione b. Sponde del letto piegate c. Controdado serrato 	<ul style="list-style-type: none"> a. Lubrificazione con olio leggero b. Raddrizzare le sponde del letto c. Allentare il controdado

MOLTE POTENZIALI FONTI DI ERRORE POSSONO ESSERE ELIMINATE CON UN COLLEGAMENTO ESPERTO ALLA RETE ELETTRICA.



AVVISO

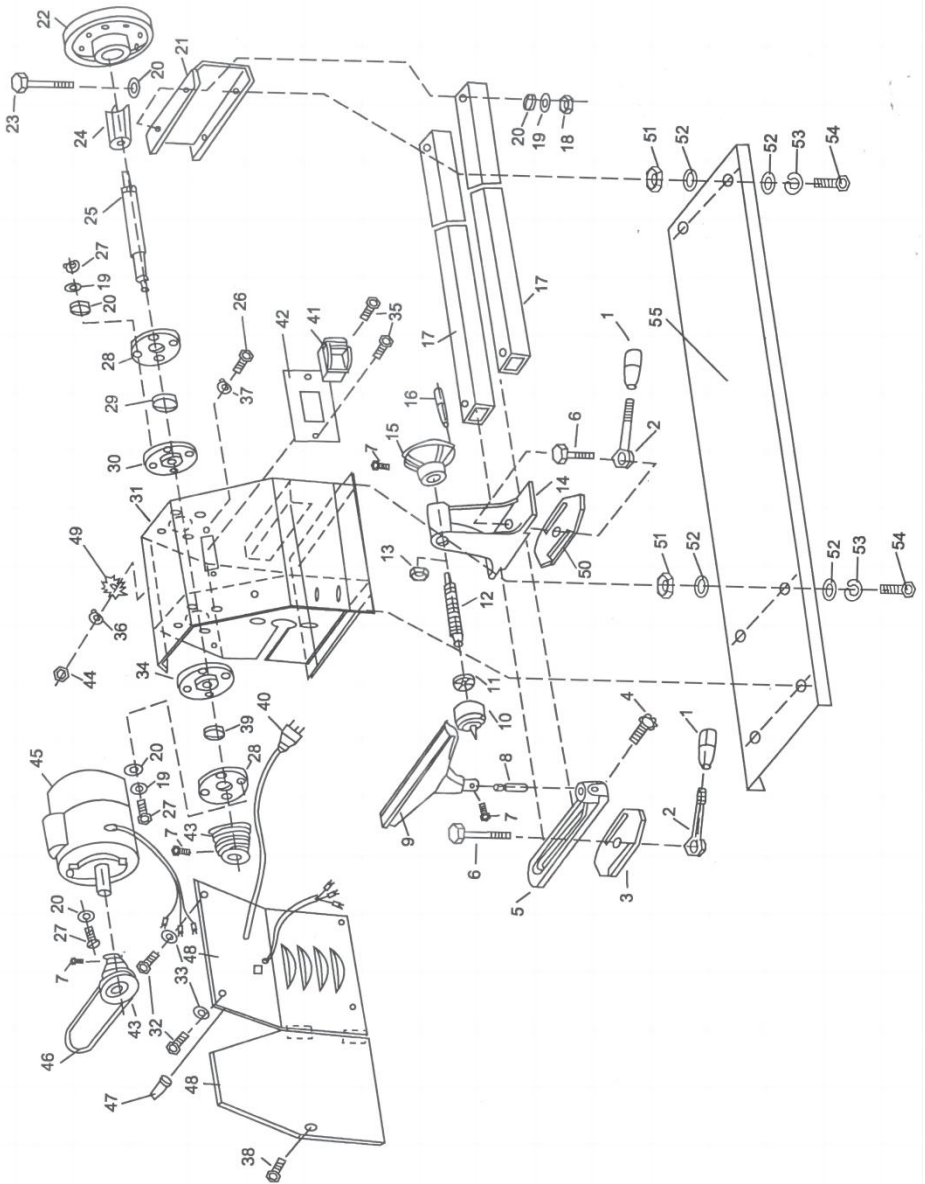
Se non si è in grado di eseguire correttamente una riparazione o non si ha la formazione prescritta, rivolgersi sempre a un'officina per risolvere il problema.

EXPLOSIONSZEICHNUNG / EXPLOSION DRAWING

INDICE N.	DESCRIZIONE	MISURARE	Quantità
1	Maniglia di bloccaggio manopola		2
2	Maniglia di bloccaggio		2
3	MORSETTO		1
4	Pomello di bloccaggio		1
5	Supporto portautensili		1
6	Bullone	(M14x70)	2
7	Bullone	(M6x10)	4
8	Barra di supporto		1
9	Supporto per utensili		1
10	Centro		1
11	Cuscinetto	6201	1
12	Mandrino della contropunta		1
13	Vite	(M18)	1
14	Punta di coda		1
15	Volantino		1
16	Barra del volante		1
17	Sponda del letto		2
18	Noce	(M8)	4
19	Rondella elastica	8	12
20	Rondella	8	18
21	Sostenitore		1
22	Piastra frontale		1

23	Bullone	(M8x55)	4
24	Centro di guida		1
25	Mandrino di azionamento		1
26	Bullone	(M4x10)	2
27	Vite	(M8x16)	10
28	Rondella del cuscinetto		2
29	Cuscinetto	6204	1
INDICE N.	DESCRIZIONE	MISURARE	Quantità
30	Base di cura		1
31	Mobiletto		1
32	Bullone	(M5x12)	4
33	Rondella	(5)	4
34	Base di appoggio		1
35	Macchia	(M4x12)	2
36	Rondella elastica	(4)	2
37	Rondella	(4)	2
38	Bullone	(M8x16)	1
39	Prendersi cura	6203	1
40	Tappo		1
41	Interruttore		1
42	Quadro elettrico		1
43	Ruota a cinghia		2
44	Noce	(M4)	2
45	Motore		1
46	Cintura triangolare	(0500)	1
47	Cespuglio		1
48	Copertura puleggia e cingolo		1
49	Rondella dell'orso	(4)	2
50	MORSETTO		1
51	Noce	(8)	6
52	Rondella	(8)	12
53	Rondella elastica	(8)	6
54	Bullone	(M8x20)	6

55	Piastra di base		1
----	-----------------	--	---



VEVOR[®]

TOUGH TOOLS, HALF PRICE

Tecnico Supporto e certificato di garanzia elettronica

www.vevor.com/support

VEVOR®

TOUGH TOOLS, HALF PRICE

Técnico Soporte y certificado de garantía electrónica www.vevor.com/support

TORNO DE MADERA

MANUAL DE INSTRUCCIONES

MODELO: MCS1000

We continue to be committed to provide you tools with competitive price.

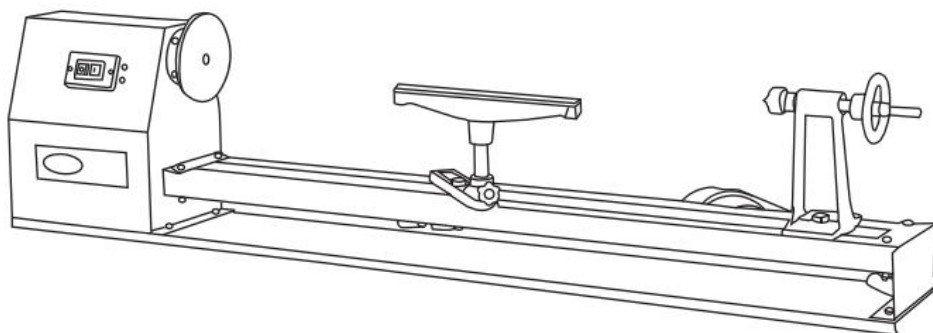
"Save Half", "Half Price" or any other similar expressions used by us only represents an estimate of savings you might benefit from buying certain tools with us compared to the major top brands and does not necessarily mean to cover all categories of tools offered by us. You are kindly reminded to verify carefully when you are placing an order with us if you are actually saving half in comparison with the top major brands.

VEVOR®

TOUGH TOOLS, HALF PRICE

WOOD LATHE

MODELO: MCS1000



NEED HELP? CONTACT US!

Have product questions? Need technical support? Please feel free to contact us:

Technical Support and E-Warranty Certificate
www.vevor.com/support

This is the original instruction, please read all manual instructions carefully before operating. VEVOR reserves a clear interpretation of our user manual. The appearance of the product shall be subject to the product you received. Please forgive us that we won't inform you again if there are any technology or software updates on our product.

MATTERS NEEDING ATTENTION

La información contenida en este manual se ha elaborado con el objetivo de servir de guía para el funcionamiento de estas máquinas y no forma parte de ningún contrato. Los datos que contiene se han obtenido del fabricante de la máquina y de otras fuentes. Nos esforzamos por garantizar la exactitud de esta información e intentamos verificar cada elemento y cada dato, pero no podemos garantizar la total exactitud de la información, lo que significa que el equipo suministrado puede diferir en detalles de la descripción de las instrucciones. Además, el desarrollo de la máquina puede hacer que el equipo suministrado pueda diferir en detalles de las descripciones aquí incluidas. Por lo tanto, es responsabilidad del usuario asegurarse de que el equipo o el proceso descritos son adecuados para el propósito previsto.

QUALITY ASSURANCE




Haremos todo lo posible para garantizar la calidad de nuestros productos y prometemos a los consumidores que garantizaremos nuestros productos durante un año, excepto por daños a la máquina causados por una operación incorrecta de los clientes y accidentes resultantes de ello, o desgaste anormal y daños causados por falta de mantenimiento. Para cumplir con el compromiso de garantía, el producto o la pieza con problemas de calidad, por favor devuélvalos para su verificación, con el franqueo pagado. Los productos devueltos deben ir acompañados de una nota con la fecha de compra y una explicación por escrito de la calidad del producto. Después de nuestra inspección y confirmación, repararemos o reemplazaremos sus productos, o reembolsaremos el pago; Si no proporcionamos la reparación o el reemplazo de manera oportuna, asumiremos los costos que surjan de la reparación o el reemplazo de los productos; Si el daño no se debe a la calidad del producto, sino a la

operación incorrecta del usuario u otras razones, el costo correrá a cargo del cliente.






Nuestra empresa se reserva el derecho de realizar cambios en esta especificación y en las especificaciones del producto. Haremos esfuerzos continuos para mejorar la calidad de nuestros productos.


Todos los derechos reservados. No se permite la reproducción o reproducción sin autorización.

SAFETY WARNING

Símbol o	Descripción del símbolo
	Advertencia: Para reducir el riesgo de lesiones, el usuario debe leer atentamente el manual de instrucciones.
	Este símbolo, colocado antes de un comentario de seguridad, indica un tipo de precaución, advertencia o peligro. Ignorar esta advertencia puede provocar un accidente. Para reducir el riesgo de lesiones, incendios o electrocución, siga siempre las recomendaciones que se muestran a continuación.
	<p>No sobrecargue la máquina Proporcionar una buena estabilidad y mantener el equilibrio en todo momento.</p> <p>Evite posturas anormales durante el trabajo. Asegúrese de estar de pie correctamente y mantener el equilibrio en todo momento. Manténgase siempre concentrado mientras trabaja. Reduzca las fuentes de distorsión en su entorno de trabajo. Está prohibido utilizar la máquina si está cansado, así como bajo los efectos del alcohol, drogas o medicamentos que afecten la concentración.</p> <p>¡No se suba a la máquina!</p> <p>La máquina debe ser operada únicamente por personas capacitadas (conocimiento y comprensión de este manual), que no tengan limitaciones de habilidades motoras en comparación con los trabajadores convencionales.</p>

	<p>No permita que otras personas, especialmente niños, toquen la máquina o el cable. Manténgalos alejados de su área de trabajo. Haga que su taller sea a prueba de niños.</p> <p>Asegúrese de que no haya nadie en la zona peligrosa. La distancia mínima de seguridad es de 2 m.</p> <p>Use ropa de trabajo adecuada</p>
	<p>¡Peligro!</p> <p>¡Riesgo de lesiones personales o daños ambientales! ¡Riesgo de descarga eléctrica! ¡Riesgo de lesiones personales por descarga eléctrica!</p>
	<p>Corriente alterna</p>
	<p>¡Nunca te agarres a la máquina en funcionamiento!</p> <p>¡Retire las virutas y los restos de las piezas de trabajo únicamente cuando la máquina esté parada!</p> <p>¡Nunca detenga las piezas de trabajo con la mano durante la marcha!</p> <p>¡Nunca tome medidas en una pieza de trabajo giratoria!</p>
	<p>¡No utilice guantes de seguridad!</p>
	<p>Advertencia: Asegúrese de usar protectores auditivos al utilizar este producto.</p>
	<p>Advertencia: Asegúrese de usar protectores para los ojos cuando utilice este producto.</p>
	<p>Advertencia: Asegúrese de usar máscaras contra el polvo cuando utilice este producto.</p>
	<p>¡Use ropa de trabajo adecuada! No use ropa suelta ni joyas, ya que podrían quedar atrapadas en las piezas móviles y provocar accidentes graves. Use una redcilla para el cabello si tiene el cabello largo.</p>

	<p>¡Los objetos sueltos pueden enredarse y provocar lesiones graves!</p>
	<p>¡Nunca deje la máquina en funcionamiento sin supervisión! Antes de abandonar el área de trabajo, apague la máquina y espere hasta que se detenga.</p> <p>Desconecte siempre la máquina antes de realizar cualquier acción en ella.</p> <p>Evite el arranque involuntario</p> <p>No utilice la máquina con el interruptor dañado.</p> <p>El enchufe de una herramienta eléctrica debe coincidir estrictamente con la toma de corriente. No utilice ningún adaptador junto con herramientas eléctricas conectadas a tierra.</p>
	<p>Se recomienda tener cuidado siempre que trabaje con una máquina eléctrica. Existe riesgo de descarga eléctrica, incendio y cortes.</p> <p>Proteger la máquina de la humedad (que puede provocar cortocircuito)</p> <p>No utilice nunca herramientas eléctricas ni máquinas cerca de líquidos y gases inflamables (peligro de explosión).</p> <p>Revise periódicamente el cable para detectar daños.</p> <p>No utilice el cable para transportar la máquina o para fijar la pieza de trabajo.</p> <p>Proteja el cable del calor, el aceite y los bordes afilados.</p> <p>Evite el contacto del cuerpo con tierra.</p>
	<p>Antes de comenzar a trabajar, retire los clavos y otros cuerpos extraños de la pieza de trabajo.</p> <p>Mantenga cualquier máquina que no esté en uso fuera del alcance de los niños.</p>
	<p>Este producto es de clase de protección III.</p>
	<p>Declaración de la FCC: Este dispositivo cumple con la Parte 15 de las Normas de la FCC. Su funcionamiento está sujeto a las dos condiciones</p>

	<p>siguientes: (1) Este dispositivo no puede causar interferencias perjudiciales y (2) Este dispositivo debe aceptar cualquier interferencia que reciba, incluidas las interferencias que puedan causar un funcionamiento no deseado.</p>
	<p>Información de eliminación: Este El producto está sujeto a las disposiciones de la Directiva Europea 2012/19/CE. El símbolo que muestra un contenedor de basura tachado indica que el producto requiere una recogida selectiva de residuos en la Unión Europea. Esto se aplica al producto y a todos los accesorios marcados con este símbolo. Los productos marcados como tales no pueden desecharse con los residuos domésticos normales, sino que deben llevarse a un punto de recogida para reciclar dispositivos eléctricos y electrónicos.</p>



ADVERTENCIA : Lea todas las advertencias de seguridad, instrucciones, ilustraciones y especificaciones que se incluyen con esta máquina. Si no sigue todas las instrucciones que se indican a continuación, puede sufrir una descarga eléctrica, un incendio o lesiones graves.


Guarde todas las advertencias e instrucciones para futuras consultas.

1. La máquina herramienta debe ser utilizada por personal experimentado. Si no está familiarizado con el proceso de operación del torno, no utilice la máquina herramienta a voluntad . Lea las instrucciones antes de operar.
2. Antes de poner en marcha la máquina herramienta, la cubierta de seguridad debe estar en la posición correcta. posición.
3. Antes de poner en marcha la máquina herramienta, verifique si la llave de apoyo de la herramienta y la llave del mandril se han quitado.
4. Evite que la máquina se ponga en marcha accidentalmente. Desconecte

- la alimentación del motor antes de sujetar la pieza de trabajo o la herramienta.
5. No fuerce el corte. Corte según la velocidad de corte, la profundidad de corte y la velocidad de avance establecidas.
 6. Utilice las herramientas adecuadas. Utilice la herramienta o pieza de trabajo correcta para el mecanizado.
 7. Mantenga la herramienta afilada y limpia para garantizar un funcionamiento normal y seguro. Lubrique y reemplace los accesorios periódicamente.
 8. Antes de ajustar o reparar la máquina, asegúrese de desconectar la fuente de alimentación.
 9. Verifique el rendimiento de seguridad de la máquina antes de ponerla en marcha.
Compruebe el funcionamiento de todas las piezas móviles. Todas las piezas deben estar instaladas correctamente. Las piezas dañadas deben repararse rápidamente.
 10. Cuando la máquina esté en funcionamiento, el operador no deberá abandonarla.
 11. Mantenga limpio el lugar de trabajo, un entorno de trabajo sucio es fácil de provocar accidentes.
 12. No utilice la máquina en entornos peligrosos.
No trabaje en lugares húmedos. Asegúrese de que los componentes eléctricos estén protegidos de la humedad. Mantenga una buena iluminación.
 13. Se prohíbe el ingreso de niños al lugar de trabajo y el personal no operativo deberá mantener una distancia segura del área de trabajo.
 14. Mantener a los niños fuera del área de trabajo. La puerta debe cerrarse con llave al salir del taller.
 15. Vístase apropiadamente. No use ropa suelta, guantes, corbatas, anillos, pulseras, joyas, etc. Para mayor seguridad, use zapatos antideslizantes. Si tiene el cabello largo, use un gorro de trabajo.
 16. Utilice gafas protectoras durante la operación.
 17. Presta atención a dónde te encuentras y mantén el equilibrio en todo momento.

18. No coloque las manos cerca de las partes móviles de la máquina.
19. No realice ninguna operación de configuración mientras la máquina esté en funcionamiento.
20. Lea y comprenda todas las señales de advertencia colocadas en la máquina.
21. Este manual está destinado únicamente a familiarizar a los clientes con el funcionamiento de la máquina y no es un manual de capacitación.
22. Obedezca estas advertencias o podrían producirse lesiones graves.
23. La máquina producirá algunos productos químicos nocivos durante el trabajo de lijado, aserrado, pulido y perforación. Para reducir el daño de estos productos químicos, trabaje en un lugar bien ventilado y utilice dispositivos de seguridad, como máscaras con filtro de partículas.

Factores de riesgo restantes

	ADVERTENCIA
	<ul style="list-style-type: none"> ● Es importante asegurarse de que cada máquina tenga riesgos restantes. ● En la ejecución de cualquier trabajo (incluso el más sencillo) se requiere la máxima atención. ¡De usted depende que trabaje con seguridad!

Incluso si la máquina se utiliza de la forma prevista, sigue siendo imposible eliminar por completo determinados factores de riesgo residuales. Los siguientes peligros pueden surgir en relación con la construcción y el diseño de la máquina:

- **Riesgo de lesiones en las manos/dedos por la pieza de trabajo giratoria durante el funcionamiento.**

- Riesgo de lesiones debido a bordes afilados de la pieza de trabajo, especialmente en piezas de trabajo que no estén fijadas con una herramienta/dispositivo adecuado.
- Peligro de lesiones: el pelo, la ropa suelta, etc. pueden quedar atrapados y enrollados. En lo que respecta a la ropa, se deben respetar las normas de seguridad.
- Riesgo de lesiones por contacto con componentes eléctricos activos.
- Riesgo de lesiones por emisión de polvo, piezas tratadas con agentes nocivos.
- Riesgo de lesiones en los ojos por residuos proyectados, incluso con gafas de seguridad.
- Riesgo de lesiones en la audición por trabajo prolongado sin protección auditiva.

El contragolpe es una reacción repentina que provoca la expulsión de la herramienta en dirección al operador.

Estos factores de riesgo se pueden minimizar obedeciendo todas las instrucciones de seguridad y operación, realizando un mantenimiento adecuado de la máquina y utilizándola de manera competente y apropiada por personas con conocimientos técnicos y experiencia.

TECHNICAL PARAMETER

Voltaje	230 V / 50 Hz	110 V / 60 Hz
Potencia del motor	350 W	
Velocidades del husillo	885/1245/1715/2425 RPM	
Diámetro máximo de giro	Diámetro 350 mm	
Diámetro del husillo	Ø22	
Rosca del husillo	M18	
Distancia entre centros	970 mm	
Recorrido del husillo del Tailstock	10 milímetros	
Conicidad en el husillo del contrapunto	MT1	
Peso	Peso neto: 23 kg; Peso bruto: 28,2 kg	
Tamaño del paquete	1545 × 300 × 435 mm	

La información general proporcionada en esta especificación no es vinculante.

Conozca su torno para madera : (Fig. 1)

1. INTERRUPTOR DE ENCENDIDO/APAGADO

Dispositivo para encender o apagar la energía del torno de madera.

2. CUBIERTA DE CORREA Y POLEA

Tapa para correa y polea. Abra esta tapa para acceder a la correa y la polea cuando cambie la velocidad del centro de transmisión.

3. CENTRO DE CONDUCCIÓN

Sujeta la pieza de trabajo para trabajos de torneado.

4. BARANDILLAS DE CAMA

Rieles para mover contrapunto y portaherramientas.

5. REPOSAHERRAMIENTAS

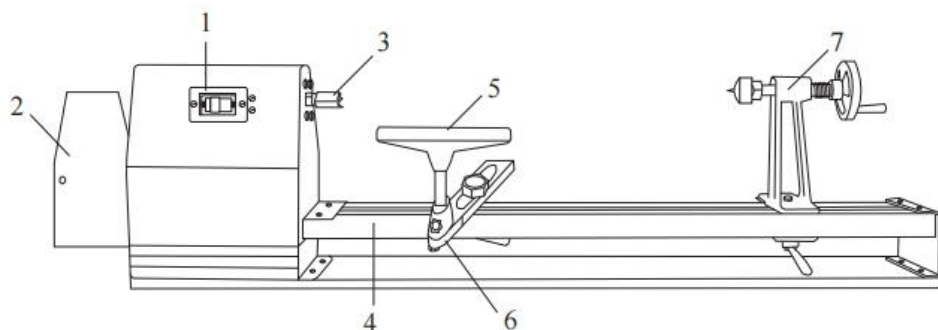
El soporte sostiene la herramienta al girar la pieza de trabajo.

6. PERILLA DE BLOQUEO DEL SOPORTE DE LA HERRAMIENTA

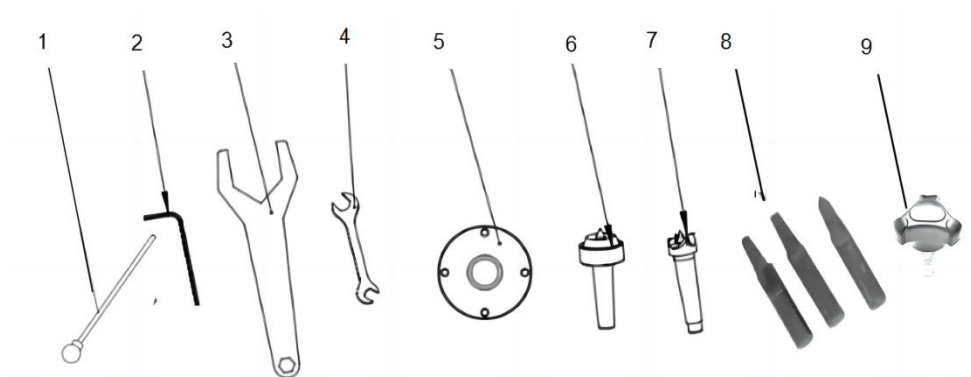
Perilla de bloqueo para ajustar la altura del soporte de la herramienta.

7. CONJUNTO DEL CONTRAPUNTO

Funciona con el centro de accionamiento para sujetar la pieza de trabajo para trabajos de torneado.



Accesorios estándar



NÚMERO DE PIEZA	DESCRIPCIÓN	CANTIDAD
1	Inyección de varilla	1
2	Llave hexagonal S3	1
3	Llave inglesa	1
4	Llave de horquilla	1
5	Placa frontal	1
6	Centro de vida	1
7	Centro de espuela	1

8	Soporte para herramientas de torno	3
9	Mango de plástico	1

INTENDED USE

La máquina debe utilizarse únicamente para el fin previsto. Cualquier otro uso se considerará un uso indebido.

Para utilizar la máquina correctamente también es necesario observar y seguir todas las normas de seguridad, instrucciones de montaje, instrucciones de funcionamiento y mantenimiento establecidas en este manual.

Todas las personas que utilicen o realicen mantenimiento de la máquina deben conocer este manual y estar informadas sobre los posibles peligros de la máquina.

También es imprescindible respetar las normas de prevención de accidentes vigentes en su zona.

Lo mismo se aplica a las normas generales de seguridad y salud en el trabajo.

La máquina se utiliza para: Torneado de madera.

Cualquier manipulación de la máquina o de sus partes constituye un mal uso, en este caso sus socios comerciales no podrán ser considerados responsables de NINGÚN daño directo o indirecto.

Incluso cuando la máquina se utiliza según lo prescrito, sigue siendo imposible eliminar ciertos factores de riesgo residuales.



ADVERTENCIA

- ¡No utilice nunca la máquina con protección defectuosa o sin protección montada!
- ¡La eliminación o modificación de los componentes de

seguridad puede provocar daños al equipo y lesiones graves!
¡ALTO RIESGO DE LESIONES!

Condiciones ambientales

La máquina puede utilizarse:

Humedad	Máximo 70%
Temperatura	De +5 °C a +40 °C (+41 °F a +104 °F)

La máquina no debe utilizarse al aire libre ni en zonas mojadas o húmedas.

La máquina no debe utilizarse en áreas expuestas a un mayor riesgo de incendio o explosión.

Uso prohibido

Está prohibido el funcionamiento de la máquina fuera de los límites técnicos descritos en este manual.

Está prohibido operar la función de la máquina sin el botón de parada de emergencia o la caja del impulsor con las puertas abiertas.

Está prohibido utilizar la máquina sin las dimensiones requeridas.

Queda prohibido el uso de máquina no apta para el uso de la misma y no certificada.

Queda prohibido utilizar la máquina para cualquier fin distinto al descrito en este manual de usuario.

¡Está prohibido operar la máquina sin supervisión durante el proceso de trabajo!

No está permitido abandonar el área de trabajo inmediata durante la ejecución del trabajo.

UNPACKING AND CLEANING

1. Saque el torno para carpintería de la caja.
2. Verifique todos los accesorios de la máquina herramienta de acuerdo con la lista de embalaje.
3. Elija una ubicación para el torno que esté seca, tenga buena iluminación y tenga suficiente espacio para poder realizar tareas de mantenimiento al torno en los cuatro lados.
4. Para evitar que la bancada se tuerza, la ubicación del torno debe ser absolutamente plana y nivelada. Atornille el torno al soporte (si lo utiliza).
5. Limpie todas las superficies protegidas contra el óxido con un disolvente comercial suave, queroseno o combustible diésel. No utilice disolventes de pintura, gasolina ni disolventes de laca, ya que dañarán las superficies pintadas. Cubra todas las superficies limpias con una fina capa de aceite para máquinas de 20 W.

ASSEMBLY

Contenido de la entrega

Por favor, compruebe el contenido del producto inmediatamente después de recibirlo para comprobar si hay algún daño de transporte o piezas faltantes. Las reclamaciones por daños de transporte o piezas faltantes deben presentarse inmediatamente después de recibir la máquina y desembalarla antes de ponerla en funcionamiento. Tenga en cuenta que no se aceptarán reclamaciones posteriores.

Requisitos del lugar de trabajo

El lugar de trabajo debe cumplir con los requisitos.

El terreno debe ser plano, llano y duro, y debe ser adecuado para lastrar al menos con el doble de peso por metro cuadrado que el peso neto de la máquina.

El lugar de trabajo elegido deberá tener acceso a una red de suministro eléctrico adecuada que cumpla con los requisitos de las máquinas.

Transporte

La máquina se puede transportar embalada con una carretilla elevadora.

La máquina es muy pesada. La máquina se debe levantar de la caja únicamente con un dispositivo de elevación adecuado que esté certificado para soportar la carga de la máquina.



ADVERTENCIA

La elevación y el transporte de la máquina sólo deben ser realizados por personal cualificado y deben realizarse con el equipo adecuado .

Preparación de la superficie

Las piezas metálicas de la máquina sin recubrimiento se han aislado con una capa de grasa para inhibir la corrosión.

Esta capa debe eliminarse. Para ello, se pueden utilizar disolventes habituales que no dañen la superficie de la máquina.



AVISO

- ¡No utilice disolventes a base de nitrito, disolventes agresivos como limpiadores de frenos o agentes de fregado!
- Estos dañan la superficie de la máquina.

Fuente de alimentación



ATENCIÓN

Al trabajar con máquinas sin conexión a tierra:

¡La electrocución puede causar lesiones graves o incluso la muerte!

Por lo tanto : La máquina debe funcionar en una toma de corriente

con conexión a tierra.

La conexión de la máquina a la red eléctrica y las comprobaciones posteriores deberán ser realizadas exclusivamente por un electricista debidamente formado.

- ag. ¡La conexión electrónica de la máquina está diseñada para funcionar con una toma de corriente con conexión a tierra!
- ah. La alimentación de red debe estar asegurada con 16A:
- ai. Si el enchufe del conector no encaja o está defectuoso, ¡sólo electricistas calificados pueden modificarlo o renovarlo!
- aj. El cable de tierra debe mantenerse en verde-amarillo.
- ak. ¡Un cable dañado debe cambiarse inmediatamente!
- al. Compruebe que la tensión de alimentación y los Hz cumplan con los valores requeridos por la máquina. Se permite una desviación de la tensión de alimentación de $\pm 5\%$.
- am. ¡Después de conectarlo, verifique que la dirección de funcionamiento sea correcta!
- an. Asegúrese de que el cable de extensión esté en buenas condiciones y sea adecuado para la transmisión de energía. Un cable de tamaño insuficiente reduce la transmisión de energía y se calienta.

OPERATING ADJUSTMENTS

AJUSTE DE LA TENSIÓN DE LA CORREA

El torno se entrega con la correa instalada, pero será necesario ajustarla antes de utilizarla.

1. Desconecte el torno de la fuente de alimentación.
2. Afloje y retire el perno hexagonal con una llave ajustable. (como se muestra en la figura 1)
3. Presione la correa hacia abajo con la mano. La correa debe moverse 1/2" cuando esté colocada correctamente (como en la figura 2).

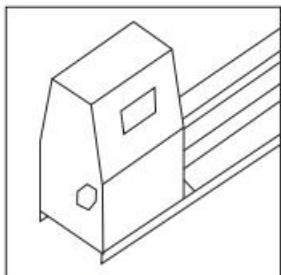


Figure 1

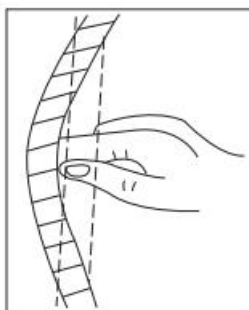


Figure 2

AJUSTE DE VELOCIDAD

cuatro velocidades de husillo de 1100, 1600, 2300 y 3400 RPM (885 , 1245 , 1715 , 2425). El gráfico 1 ilustra en qué polea se debe colocar la correa para obtener cuatro velocidades. El gráfico 2 ilustra las velocidades adecuadas para la pieza de trabajo.

GRÁFICO-1

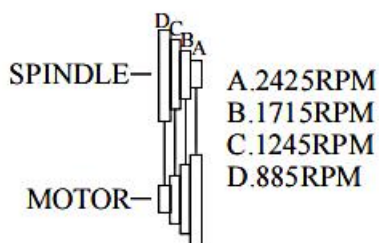
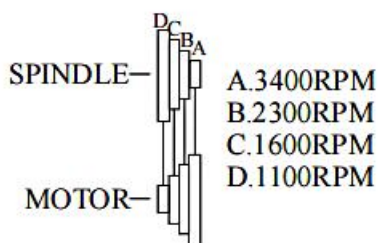
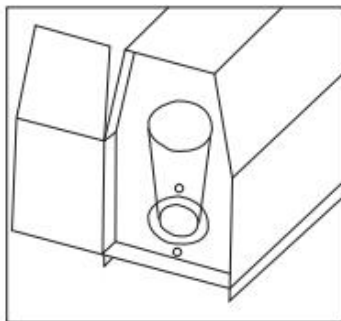


GRÁFICO-2

Roughing off	General cutting	Fine cutting	Finishing
1100RPM	1600RPM	2300RPM	3400RPM
885RPM	1245RPM	1715RPM	2425RPM

21. Desconecte el torno de la fuente de alimentación.
22. Abra la cubierta de la correa y la polea.
23. Afloje la polea del motor aflojando los pernos con una llave ajustable (como se muestra en la figura)
24. Coloque la correa "V" en la posición correcta para la velocidad deseada.
25. Ajuste la correa "V" a la tensión adecuada y apriete la polea del motor.

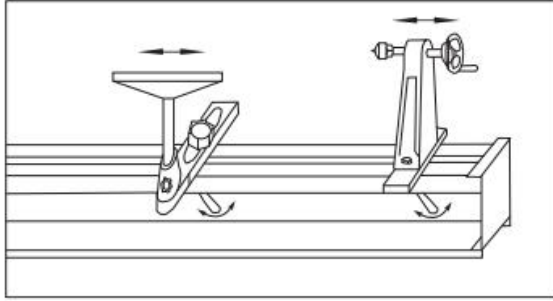
NOTA: Para una tensión adecuada de la correa, presione la correa hacia abajo con la mano. La correa debe moverse 1/2" cuando está ajustada correctamente.



CONJUNTO DE CONTRAPUNTO MÓVIL Y SOPORTE DE HERRAMIENTAS

El conjunto de contrapunto y el soporte de herramientas se sujetan a la plataforma con una manija de bloqueo justo debajo de los rieles de la plataforma. Para moverlos a una nueva posición:

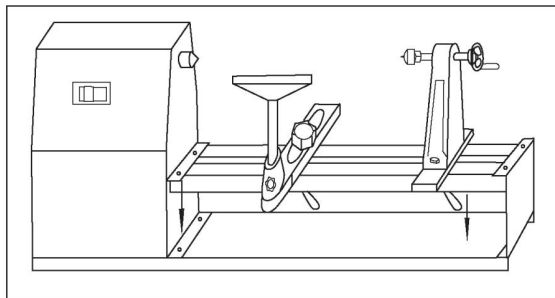
1. Desconecte el torno de la fuente de alimentación.
2. Afloje la manija de bloqueo con la perilla.
3. Deslice el conjunto de contrapunto o el soporte de la herramienta a lo largo de la plataforma y vuelva a apretar la manija de bloqueo (como se muestra en la figura).



MONTAJE DEL TORNO

El torno debe montarse sobre una superficie de apoyo firme, como un soporte o banco de trabajo durante el funcionamiento. Para montar el torno:

1. Desconecte el torno de la fuente de alimentación.
2. Ubique y marque dónde se montará el torno (como se muestra en la figura).
3. Perfore cuatro (4) orificios de 5/16" de diámetro a través del banco de trabajo.
4. Coloque el torno en el banco de trabajo, alineando los agujeros en la bancada con los agujeros perforados en banco de trabajo.
5. Inserte cuatro pernos (se venden por separado) y apriételes.



QUITAR EL HUSILLO DEL CONTRAPUNTO

Para quitar el eje del contrapunto del conjunto del contrapunto:

1. Desconecte el torno de la fuente de alimentación.
2. Retire el volante aflojando el tornillo de fijación con una llave hexagonal

de 1/8" alejándolo del husillo (como se muestra en la figura 1).

3. Desatornille el eje del contrapunto del conjunto del contrapunto (como se muestra en la figura 2).

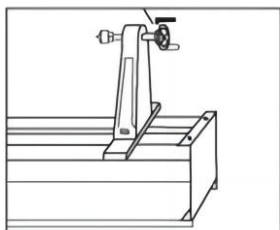


Figure 1

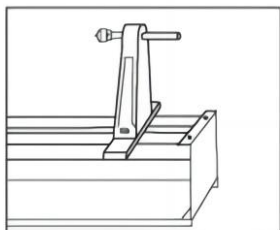
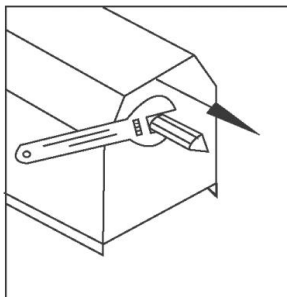


Figure 2

DESMONTAJE DEL CENTRO DE TRANSMISIÓN

Se debe quitar el centro de la pieza motriz para fijarla a la pieza cuando se gira el husillo. También se debe quitar cuando se fija la placa frontal para el giro de la placa frontal. Para quitar el centro de la pieza motriz del husillo de accionamiento:

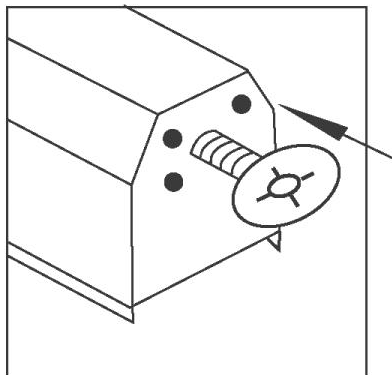
1. Desconecte el torno de la fuente de alimentación.
2. Utilice la llave para sujetar el cuello plano del eje de transmisión. Luego, desatornille el centro de transmisión en sentido contrario a las agujas del reloj (como se muestra en la figura).



INSTALACIÓN DE LA PLACA FRONTAL

La placa frontal se suministra con el torno. Para instalar la placa frontal:

1. Desconecte el torno de la fuente de alimentación.
2. Retire el centro de accionamiento del husillo de accionamiento.
3. Alinee el orificio central de la placa frontal con la rosca del eje (como se muestra en la figura).
4. Atornille la placa frontal al eje.



ALINEAMIENTO DE CENTROS

Si los centros no están en las líneas, realice los siguientes ajustes:

1. Mueva el conjunto del contrapunto cerca del conjunto del centro de transmisión (como se muestra en la figura 1).
2. Bloquee el conjunto del contrapunto.
3. Afloje los cuatro pernos hexagonales alrededor del centro de la transmisión (como se muestra en la figura 2).
4. Gire el centro de transmisión de modo que los dos centros queden alineados y luego apriete los pernos.

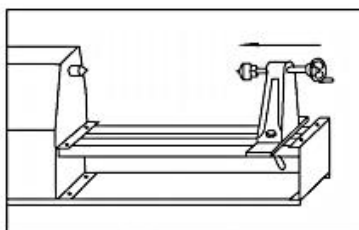


Figure 1

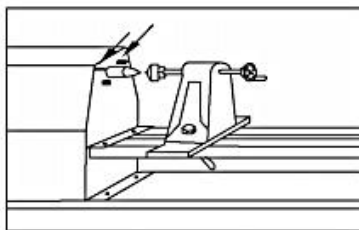


Figure 2

OPERATION

El aparato debe utilizarse únicamente en perfecto estado. Inspeccione visualmente el aparato cada vez que vaya a utilizarlo. Compruebe en particular que los dispositivos de seguridad, los controles eléctricos, los cables eléctricos y las conexiones roscadas no presenten daños y que estén bien apretados. Sustituya las piezas dañadas antes de utilizar el aparato.

TORNEADO DE HUSILLO

Las siguientes instrucciones le darán a un principiante la oportunidad de comenzar a operar un torno de madera. Use un trozo de madera para verificar la configuración y familiarizarse con las operaciones antes de intentar realizar un trabajo normal.

ADVERTENCIA Mantenga siempre las manos alejadas del centro de la unidad o de la placa frontal cuando la energía esté encendida.

1. Seleccione un trozo de madera.
2. Dibuje líneas diagonales en la cabeza para ubicar el centro. (como en la figura 1)
3. En el extremo, haga un corte de sierra de aproximadamente 1/16" de profundidad en cada línea diagonal. Esto es para el centro de la transmisión. Una mini sierra para metales es útil para esto.
El extremo es para el centro del contrapunto.
4. Utilice un mazo de madera (goma) o un martillo de plástico, introduzca el centro del contrapunto en la madera. Retire el centro del contrapunto (como se muestra en la figura 2).
5. Introduzca el centro de la sierra en el otro extremo de la madera.
Asegúrese de que las espuelas estén en los cortes de la sierra. Retire el centro de la sierra.

6. Limpie los centros, la rosca del husillo de accionamiento y el orificio de la rosca del cuerpo del contrapunto. Instale el centro de accionamiento en el husillo de accionamiento y el centro del contrapunto en el cuerpo del contrapunto.
7. Coloque la madera entre los centros y bloquee el cuerpo del contrapunto.
8. Mueva el centro del contrapunto dentro de la madera girando el volante. Asegúrese de que el centro de conducción y el centro de accionamiento estén “asentados” en la madera en los orificios hechos en los pasos 4 y 5. Gire la madera con la mano mientras gira el volante.
9. Ajuste el soporte de la herramienta aproximadamente a $1/8$ " de las esquinas de la madera y $1/8$ " por encima de la línea central. Bloquee la base del soporte de la herramienta y el soporte de la herramienta (como se muestra en la figura 3).
10. Gire la madera con la mano para asegurarse de que las esquinas no golpeen el soporte de la herramienta.
11. Revise la configuración de velocidad sugerida en la tabla de selección de velocidad.
12. Reajuste con frecuencia como en el paso 9 a medida que se reduce el diámetro del material.

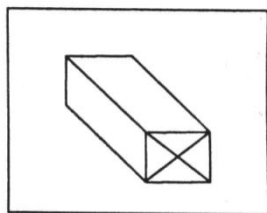


Figure 1

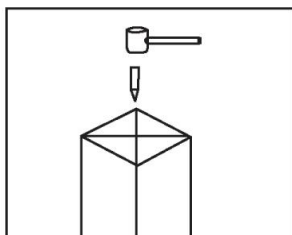


Figure 2

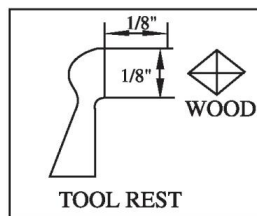


Figure 3

POSICIÓN DE LA MANO

La posición de sus manos respecto a la herramienta estará determinada por la cantidad de apalancamiento requerida.

La posición de la mano que apoya la herramienta normalmente es con la palma hacia arriba. El primer dedo actúa como guía, deslizándose a lo

largo del apoyo de la herramienta a medida que se realiza el corte. El agarre con la palma hacia abajo se puede utilizar para aplicaciones de desbaste pesado. El talón de la mano o el dedo meñique servirán como guía.

DESBASTE DE UN CILINDRO DE HUSILLO

Para esta operación de torneado se utiliza una gubia grande. Para esta operación, haga funcionar el torno a baja velocidad. El corte debe comenzar aproximadamente a 2" del extremo del contrapunto y continuará hacia el extremo del contrapunto. Cada corte correspondiente se realizará aproximadamente a 3" del lado izquierdo del primer corte. Esto continuará hasta llegar a una posición a 2" del centro del cabezal. Luego, girará la gubia en la dirección opuesta, lo que llevará el corte hasta el extremo del husillo.

CÓMO UTILIZAR UNA HERRAMIENTA DE TRONCALO

La herramienta de corte tiene un propósito principal: cortar en línea recta la pieza de trabajo tan profundamente como se desee o completamente para hacer un corte. Por lo tanto, es una herramienta muy estrecha (1/8" de ancho) y está diseñada para cortar su propio espacio libre de modo que el borde no se queme. Cuando se usa para raspar, sin embargo, se debe retirar periódicamente para evitar el sobrecalentamiento.

A diferencia de la gubia y la herramienta de corte sesgada, la herramienta de corte rara vez se sostiene con el bisel contra la pieza de trabajo. Como la cantidad de stock eliminado es pequeña, no es necesario un soporte para el bisel. La herramienta simplemente se introduce en la pieza de trabajo en un ángulo (para cortar), o apuntando al centro de la pieza de trabajo (para raspar).

CÓMO USAR UN SKEW

Esta herramienta se utiliza casi siempre para hacer cortes terminados, para cortar V y molduras o para cuadrar hombros. Utilizado adecuadamente, produce el mejor acabado que se puede obtener con un

cincel.

Se debe utilizar muy poco para raspar, ya que esto lo opaca rápidamente. Para el corte de acabado, El sesgo se sostiene con el borde cortante considerablemente por delante del mango, con el lado biselado hacia abajo. Mantenga el sesgo bien sobre el trabajo, tire hacia atrás hasta que el borde comience a cortar, Luego gire el mango a la posición para avanzar el corte. Tanto la punta como el talón de la cuchilla se pueden utilizar para realizar cortes ligeros. No penetre demasiado profundamente en la madera sin cortar.

autorizaciones, ya que existe peligro de quemar la punta de la herramienta.

CORTANDO UN HOMBRO

Un hombro puede ser el lado de una porción cuadrada que queda en la pieza de trabajo, el lado de una sección torneada, o el final de la pieza de trabajo. La mayoría de los hombros son perpendiculares al eje de trabajo, pero un hombro puede estar en cualquier ángulo.

Primero, Marque la posición del hombro con un lápiz sostenido contra la pieza de trabajo giratoria. Luego haga un corte de medición a través de la herramienta de corte, colocando el corte aproximadamente a $1/16$ " fuera de la posición del hombro. Corte a $1/8$ " de precisión de la profundidad deseada para el área exterior del hombro. Si el hombro es poco profundo, La punta del sesgo se puede utilizar para hacer el corte de dimensionamiento. No ingrese más de $1/8$ " con el sesgo a menos que se corten V más anchas para proporcionar espacio para la herramienta. Utilice la gubia para eliminar cualquier material sobrante fuera del hombro. Alise la sección hasta $1/8$ " del hombro. A menos que tenga más de 1" de alto, Se hace mejor con un sesgo de $1/2$ ".

Primero, Utilice la punta del sesgo para quitar las virutas del costado del hombro hasta el tamaño final. Sujete el bisel de manera que el borde inferior del bisel junto al hombro quede casi paralelo al costado del hombro. Asegúrese de que esto esté con el borde cortante girado hacia afuera en la parte superior. de modo que solo la punta extrema hará el corte. Si el borde cortante está plano contra el hombro, el cincel se moverá.

Comience con el mango bajo y luego levántelo para avanzar la punta en la pieza de trabajo. Corte hasta el diámetro final del área exterior. Luego limpia la esquina avanzando el talón del sesgo en él a lo largo de la superficie del área exterior. Incline el borde de corte, con el mango levantado, de manera que solo el talón extremo haga el corte si el hombro está al final del trabajo, El proceso se llama “alinearse el extremo”. En este caso, reducir la parte exterior a un diámetro de aproximadamente 1/4” más grande que el centro de la herramienta diámetro. Luego corté el material sobrante.

CORTE DE CALAS

Utilice una marca de lápiz para indicar los bordes. Luego, desbaste hasta aproximadamente 1/8” de la superficie de acabado deseada raspando con la gubia o el cincel de punta redonda. Si la moldura va a ser muy ancha, se pueden hacer cortes de tamaño para trazar el desbaste. Una vez que esté desbaste, La cala se puede terminar en dos cortes; uno de cada lado hasta el centro inferior.

Al comienzo de cada corte, la gubia se sostiene con el mango en alto y los dos lados de la hoja se sostienen entre el pulgar y el índice del mango del soporte de la herramienta. Justo detrás del bisel. Coloque los dedos listos para hacer rodar la hoja hacia la cavidad. Sostenga la hoja de manera que el bisel forme un ángulo de 90 grados con respecto al eje de trabajo. con la punta tocando la línea del lápiz y apuntando hacia el eje de trabajo.

A partir de este comienzo, Presione la punta ligeramente para comenzar a cortar, luego continúe moviendo la punta hacia abajo en un área hacia la cavidad central inferior. Al mismo tiempo, golpee el cincel de manera uniforme para que, al final del corte, Será plano en el fondo de la cala. El objetivo es mantener la punta extrema de la gubia realizando el corte de principio a fin. Invierta los movimientos para cortar el lado opuesto.

CORTE EN V

Las ranuras en V se pueden cortar con la punta o el talón del sesgo. Cuando se utiliza la punta, La acción de corte es exactamente la misma que al recortar un hombro, excepto que el sesgo está inclinado hacia

corte en el bisel requerido. Primero se deben realizar cortes ligeros en un lado, luego el otro, ampliando gradualmente la V hasta la profundidad y el ancho requeridos.

Cuando se utiliza el talón, la herramienta se gira hacia abajo dentro de la pieza de trabajo, utilizando el soporte de la herramienta como pivote. De lo contrario, La posición de corte y la secuencia de cortes son las mismas que cuando se utiliza la punta. Es importante que el corte se realice solo por el extremo del filo de corte. Si se planean cortes en V profundos, Es más rápido iniciarlos haciendo un corte de medición en el centro de cada V. Las V también se pueden raspar con un cincel de punta de lanza o una lima de tres lados.

PLANTEAMIENTO DEL PROYECTO

Primero haga un diseño para tener un patrón visual a seguir mientras trabaja en el torneado. El patrón se puede diseñar de la misma manera que los patrones de huso. Las plantillas se pueden colocar frente al trabajo para realizar una comparación visual. Se pueden trazar rápidamente círculos para localizar los distintos puntos críticos en el Trabajo rotatorio mediante el uso de los divisores.

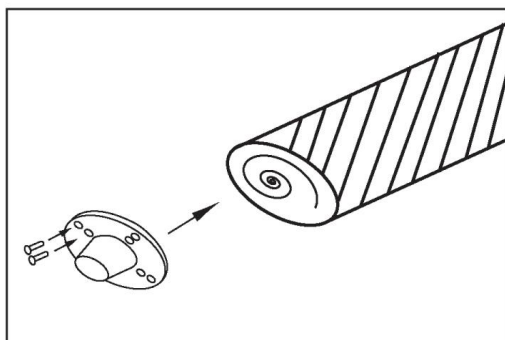
GIRAR EL PROYECTO

El primer paso es quitar la mayor cantidad de madera posible perforando el centro con la broca más grande disponible. Tenga cuidado de medir de antemano la profundidad a la que se puede permitir que llegue el taladro. Próximo, Retire la mayor parte de los desechos raspándolos con el raspador de punta redonda o la gubia para cuencos.

Retire hasta 1/8" del tamaño final de esta manera. Termine la circunferencia interior raspando con la punta redonda o la punta redonda izquierda. raspador. Alise el fondo del hueco raspándolo con un raspador de punta plana. Intente siempre colocar la parte del soporte de la herramienta que sostiene la herramienta lo más cerca posible de la superficie de trabajo.

MONTAJE DE LA PIEZA DE TRABAJO EN LA PLACA FRONTAL

Puede montar directamente la placa frontal en la pieza de trabajo fijando cuatro (u ocho) Tornillos para madera (se venden por separado). Este es un proceso fácil que debe utilizarse siempre que sea posible.



ADVERTENCIA

Asegúrese siempre de que la pieza de trabajo esté bien sujeta a la placa frontal o entre los centros. Cuando la placa frontal esté girando, asegúrese siempre de que los tornillos de fijación no entren en contacto con la herramienta de torneado a medida que avanza el trabajo.

TORNEADO DE PLACA FRONTAL

Los torneados que no se montan entre centros requieren una placa frontal para sujetando la pieza de trabajo. Todas las piezas de este tipo deben tener un tamaño ligeramente superior para eliminar cortes desbastadores y vibraciones.

Instrucciones de funcionamiento



ATENCIÓN

¡Nunca encienda la máquina mientras presione el cincel contra el material!



AVISO

- Antes de encender la máquina, asegúrese de que el soporte de la herramienta esté bien apretado.
- Gire la pieza de trabajo sujeta cada vez antes de girarla con la mano para asegurarse de que gira libremente y no toca el resto de la herramienta.
- ¡Compruebe también si la pieza de trabajo está centrada y bien sujeta!
- ¡Asegúrese de guiar y sujetar el cincel con ambas manos de forma segura y firme durante el mecanizado!
- ¡Trabaje únicamente con herramientas bien afiladas!
- ¡Trabaje con piezas grandes y desequilibradas únicamente a baja velocidad del husillo!
- ¡Se deben tener en cuenta las especificaciones sobre el tamaño máximo o mínimo de la pieza de trabajo!
- ¡No se deben utilizar piezas con grietas!

- ¡Procesamos únicamente maderas seleccionadas y sin defectos!

Operación

Interruptor de encendido y apagado


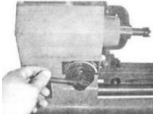
Encender: Pulse el botón verde ("I") durante 2 segundos. La máquina empieza a funcionar.

Apagar: Pulse el botón rojo ("O").


¡La máquina no se detiene inmediatamente! Permanezca junto a la máquina hasta que la pieza de trabajo se detenga por completo (¡No detenga la pieza de trabajo con la mano!)

Ajuste de velocidad

La velocidad se puede ajustar de forma infinitamente variable girando la palanca de control de velocidad.

	AVISO	
	<p>Debes mover la palanca a la posición de velocidad más baja antes de girar el interruptor.</p> <p>ENCENDIDO/APAGADO, de lo contrario el motor podría no arrancar.</p>	

Reposaherramientas

	AVISO
	<p>¡El soporte de la herramienta debe seleccionarse lo más cerca posible de la pieza de trabajo!</p> <p>Ajuste de altura justo debajo de la línea central de la pieza de trabajo.</p> <p>¡Gire la pieza de trabajo con la mano y verifique que pueda girar libremente antes de girarla!</p>

MAINTENANCE

ATENCIÓN



Realice todos los ajustes de mantenimiento de la máquina con la máquina desconectada de la fuente de alimentación.

¡Lesiones graves debido a la activación involuntaria o automática de la máquina!



La máquina no requiere un mantenimiento exhaustivo. Si se producen averías o defectos, encargue su mantenimiento únicamente a personal cualificado.

Antes de la primera puesta en servicio, así como posteriormente cada 100 horas de funcionamiento, se deben lubricar todas las piezas de conexión (si es necesario, eliminar previamente con un cepillo todas las virutas y el polvo).

Compruebe periódicamente el estado de las etiquetas de seguridad. Reemplácelas si es necesario.

Compruebe periódicamente el estado de la máquina.

El buen estado y el perfecto ajuste de los rodillos guía es esencial para un guiado suave de la banda y un corte limpio.

Guarde la máquina en un lugar cerrado y seco.

AVISO

Limpie su máquina periódicamente después de cada uso: esto prolonga su vida útil y es un requisito previo para un entorno de trabajo seguro.

¡Los trabajos de reparación deberán ser realizados únicamente por profesionales debidamente capacitados!

Plan de mantenimiento

Después de cada turno de trabajo:

Limpie la máquina y sus piezas con un chorro fuerte de aire comprimido para eliminar el polvo de madera y otros restos de material. Las piezas móviles también se pueden limpiar con un cepillo o un cepillo suave.

Aplique una fina capa de aceite lubricante a todas las piezas móviles de la máquina.

Después de 50 horas de funcionamiento

Compruebe las correas trapezoidales.

Determine la causa de las correas desgastadas. Verifique si hay superficies irregulares o ásperas en las poleas de la correa trapezoidal.

¡Reemplace las correas desgastadas o estiradas!

Limpieza

Después de cada turno de trabajo, la máquina debe limpiarse. Retire las virutas y demás restos con una herramienta adecuada. No las retire con las manos (¡podría cortarse!). Elimine también el polvo.

AVISO



El uso de ciertas soluciones que contienen ingredientes que dañan las superficies metálicas, así como el uso de agentes limpiadores, dañarán la superficie de la máquina.

Limpie la superficie de la máquina con un paño húmedo empapado en una solución suave.

Desecho

No deseche la máquina junto con los residuos. Póngase en contacto con las autoridades locales para obtener información sobre las opciones de eliminación disponibles. Cuando compre una unidad de repuesto en su distribuidor local, este último está obligado a cambiar la vieja.


TROUBLE SHOOTING

ANTES DE COMENZAR A TRABAJAR PARA LA ELIMINACIÓN DE DEFECTOS, DESCONECTE LA MÁQUINA DE LA FUENTE DE ALIMENTACIÓN .

Problema	Posible causa	Solución
Operación ruidosa	a.Tensión incorrecta de la correa b.Polea suelta c.Perno suelto d.Cojinete defectuoso	a.Ajustar la tensión b.Apretar la polea c.Ajustar la tensión de la correa d.Reemplazar el cojinete

El motor no arranca	a.Fuente de alimentación b.Conexión del motor c. Conexiones de conmutación d. Bobinados del motor quemados e.Interruptor defectuoso	a.Compruebe el cable de alimentación b.Verifique las conexiones del motor c.Verifique las conexiones del motor d.Reemplazar el motor e.Reemplazar el interruptor
Soporte de herramienta o contrapunto difícil de mover	a.Necesita lubricación b.Barandillas de cama dobladas c.Tuerca de seguridad apretada	a.Lubricación con aceite ligero b. Enderezar las barandillas de la cama c.Afloje la tuerca de seguridad

MUCHAS FUENTES POTENCIALES DE ERROR SE PUEDEN ELIMINAR MEDIANTE UNA CONEXIÓN EXPERTA A LA RED ELÉCTRICA.

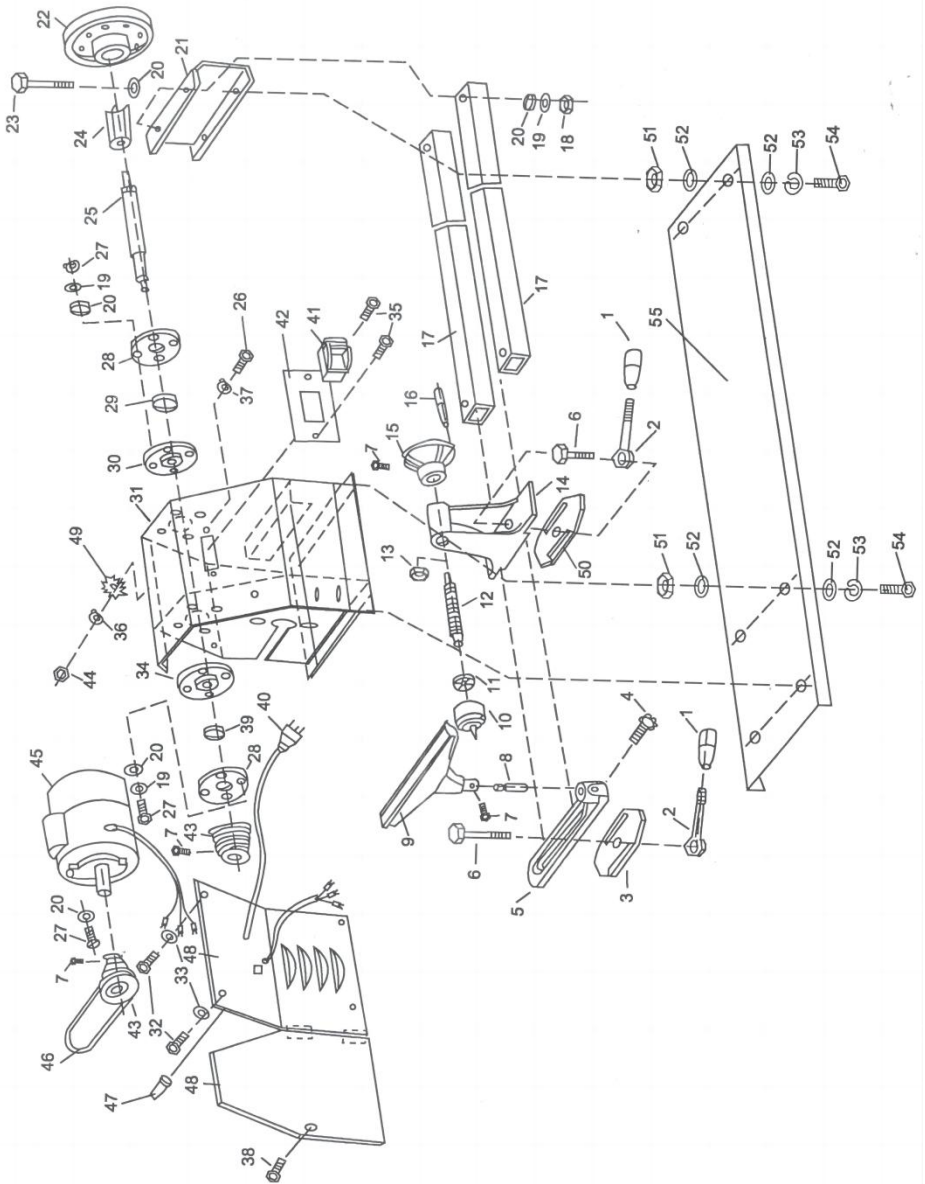
	AVISO
	<p>Si en caso de necesitar reparaciones no puede realizarlas correctamente o no tiene la formación prescrita para ello, llame siempre a un taller para solucionar el problema.</p>

EXPLOSIONSZEICHNUNG / EXPLOSION DRAWING

ÍNDICE NÚM.	DESCRIPCIÓN	TAMAÑO	CANTIDAD
1	Perilla de manija de bloqueo		2
2	Manija de bloqueo		2
3	Abrazadera		1
4	Perilla de bloqueo		1

5	Portaherramientas		1
6	Tornillo	(M14x70)	2
7	Tornillo	(M6x10)	4
8	Barra de soporte		1
9	Reposaherramientas		1
10	Centro		1
11	Cojinete	6201	1
12	Husillo de contrapunto		1
13	Tornillo	(M18)	1
14	Contrapunto		1
15	Volante manual		1
16	Barra de volante manual		1
17	Barandilla de cama		2
18	Tuerca	(M8)	4
19	Arandela de resorte	8	12
20	Arandela	8	18
21	Seguidor		1
22	Placa frontal		1
23	Tornillo	(M8x55)	4
24	Centro de manejo		1
25	Husillo de accionamiento		1
26	Tornillo	(M4x10)	2
27	Tornillo	(M8x16)	10
28	Arandela de cojinete		2
29	Cojinete	6204	1
ÍNDICE NÚM.	DESCRIPCIÓN	TAMAÑO	CANTIDAD
30	Base de cuidados		1
31	Gabinete		1
32	Tornillo	(M5x12)	4
33	Arandela	(5)	4
34	Base de apoyo		1
35	Mancha	(M4x12)	2
36	Arandela de resorte	(4)	2

37	Arandela	(4)	2
38	Tornillo	(M8x16)	1
39	Bcuidado	6203	1
40	Enchufar		1
41	Cambiar		1
42	Tablero de interruptores		1
43	Rueda de correa		2
44	Tuerca	(M4)	2
45	Motor		1
46	Cinturón triangular	(0500)	1
47	Arbusto		1
48	Tapa de polea y Bclt		1
49	Lavadora de osos	(4)	2
50	Abrazadera		1
51	Tuerca	(8)	6
52	Arandela	(8)	12
53	Arandela de resorte	(8)	6
54	Tornillo	(M8x20)	6
55	Placa base		1



VEVOR[®]

TOUGH TOOLS, HALF PRICE

Técnico Certificado de soporte y garantía electrónica

www.vevor.com/support

VEVOR[®]

TOUGH TOOLS, HALF PRICE

Techniczny Wsparcie i certyfikat gwarancji elektronicznej www.vevor.com/support

TOKARKA DO DREWNA

INSTRUKCJA OBSŁUGI

MODEL: MCS1000

We continue to be committed to provide you tools with competitive price.

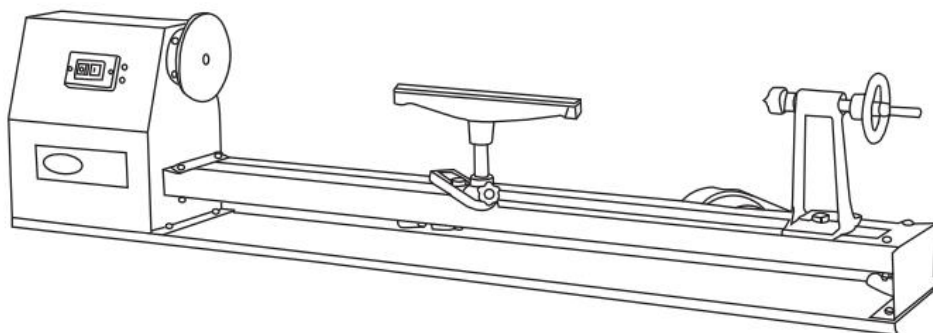
"Save Half", "Half Price" or any other similar expressions used by us only represents an estimate of savings you might benefit from buying certain tools with us compared to the major top brands and does not necessarily mean to cover all categories of tools offered by us. You are kindly reminded to verify carefully when you are placing an order with us if you are actually saving half in comparison with the top major brands.

VEVOR®

TOUGH TOOLS, HALF PRICE

WOOD LATHE

MODEL: MCS1000



NEED HELP? CONTACT US!

Have product questions? Need technical support? Please feel free to contact us:

Technical Support and E-Warranty Certificate
www.vevor.com/support

This is the original instruction, please read all manual instructions carefully before operating. VEVOR reserves a clear interpretation of our user manual. The appearance of the product shall be subject to the product you received. Please forgive us that we won't inform you again if there are any technology or software updates on our product.

MATTERS NEEDING ATTENTION

Informacje zawarte w tym podręczniku mają służyć jako przewodnik po obsłudze tych maszyn i nie stanowią części żadnej umowy. Zawarte w nim dane zostały uzyskane od producenta maszyny i z innych źródeł.

Dokładamy wszelkich starań, aby zapewnić dokładność tych informacji i staramy się zweryfikować każdy element i każde dane, ale nie możemy zagwarantować pełnej dokładności informacji, co oznacza, że dostarczony sprzęt może różnić się szczegółowo od opisu w instrukcji. Ponadto rozwój maszyny może oznaczać, że dostarczony sprzęt może różnić się szczegółowo od opisów w niniejszym dokumencie. Dlatego odpowiedzialność spoczywa na użytkowniku, aby upewnić się, że opisany sprzęt lub proces jest odpowiedni do zamierzonego celu.

QUALITY ASSURANCE

Dołożymy wszelkich starań, aby zapewnić jakość naszych produktów i obiecujemy konsumentom, że udzielamy rocznej gwarancji na nasze produkty, z wyjątkiem uszkodzeń urządzenia spowodowanych niewłaściwą obsługą klienta i wypadkami z tego wynikającymi lub nienormalnym zużyciem i uszkodzeniami spowodowanymi brakiem konserwacji.




Aby spełnić zobowiązanie gwarancyjne, produkt lub część z problemami jakościowymi, prosimy o odesłanie do nas w celu weryfikacji, z przedpłaconą przesyłką. Towary odsyłane powinny być dołączone do notatki z datą zakupu i pisemnym wyjaśnieniem jakości produktu. Po naszej inspekcji i potwierdzeniu, naprawimy lub wymienimy ich produkty, lub zwrócimy płatność; Jeśli nie zapewnimy naprawy lub wymiany w odpowiednim czasie, poniesiemy koszty wynikające z naprawy lub








wymiany produktów; Jeśli uszkodzenie nie jest spowodowane jakością produktu, ale niewłaściwą obsługą użytkownika lub innymi przyczynami, koszt ponosi klient.






Nasza firma zastrzega sobie prawo do wprowadzania zmian w niniejszej specyfikacji i specyfikacjach produktu. Będziemy podejmować ciągłe wysiłki w celu poprawy jakości naszych produktów.



Wszelkie prawa zastrzeżone. Reprodukacja lub kopiowanie jest niedozwolone bez pozwolenia.

SAFETY WARNING

Symbol	Opis symbolu
	Ostrzeżenie - Aby zminimalizować ryzyko obrażeń, użytkownik powinien uważnie przeczytać instrukcję obsługi.
	Ten symbol, umieszczony przed komentarzem dotyczącym bezpieczeństwa, wskazuje na rodzaj ostrożności, ostrzeżenia lub niebezpieczeństwa. Zignorowanie tego ostrzeżenia może doprowadzić do wypadku. Aby zmniejszyć ryzyko obrażeń, pożaru lub porażenia prądem, zawsze postępuj zgodnie z poniższymi zaleceniami.
	<p>Nie przeciążaj maszyny Zapewnia dobrą stabilność i utrzymuje równowagę przez cały czas</p> <p>Unikaj nietypowych pozycji podczas pracy! Upewnij się, że stoisz prosto i cały czas zachowujesz równowagę.</p> <p>Zawsze zachowuj koncentrację podczas pracy. Ograniczaj źródła zakłóceń w swoim środowisku pracy. Zabrania się obsługi maszyny, gdy jesteś zmęczony, a także pod wpływem alkoholu, narkotyków lub leków wpływających na koncentrację.</p> <p>Nie wchodź na maszynę!</p> <p>Maszyna może być obsługiwana wyłącznie przez osoby przeszkolone (znające i rozumiejące niniejszą instrukcję), które nie mają ograniczeń w zakresie zdolności motorycznych w</p>

	<p>porównaniu z pracownikami zwykłymi.</p> <p>Nie pozwalaj innym osobom, zwłaszcza dzieciom, dotykać maszyny lub kabla. Trzymaj je z dala od swojego obszaru roboczego.</p> <p>Zabezpiecz swoje warsztaty przed dziećmi.</p> <p>Upewnij się, że w strefie niebezpiecznej nie ma nikogo.</p> <p>Minimalna bezpieczna odległość wynosi 2 m.</p> <p>Załącz odpowiedni strój roboczy</p>
	<p>Niebezpieczeństwo!</p> <p>Ryzyko obrażeń ciała lub szkód środowiskowych! Ryzyko porażenia prądem! Ryzyko obrażeń ciała przez porażenie prądem!</p>
	<p>Prąd przemienny</p>
	<p>Nigdy nie chwytaj za bieżnię!</p> <p>Usuwać wióry i części obrabianego przedmiotu tylko wtedy, gdy maszyna jest nieruchoma!</p> <p>Nigdy nie zatrzymuj obrabianych przedmiotów ręką podczas obróbki!</p> <p>Nigdy nie dokonuj pomiarów obracającego się przedmiotu!</p>
	<p>Nie zakładaj rękawic ochronnych!</p>
	<p>Ostrzeżenie: Podczas stosowania tego produktu należy używać ochronników słuchu.</p>
	<p>Ostrzeżenie: Podczas stosowania tego produktu należy nosić okulary ochronne.</p>
	<p>Ostrzeżenie: Podczas stosowania tego produktu należy nosić maskę przeciwpyłową.</p>

	<p>Noś odpowiednie ubrania robocze! Nie noś luźnej odzieży ani biżuterii, ponieważ mogą one zostać wciągnięte w ruchome części i spowodować poważne wypadki! Noś siatkę na włosy, jeśli masz długie włosy.</p> <p>Luźne przedmioty mogą się zaplątać i spowodować poważne obrażenia!</p>
	<p>Nigdy nie pozostawiaj maszyny włączonej bez nadzoru! Przed opuszczeniem obszaru roboczego wyłącz maszynę i poczekaj, aż się zatrzyma.</p> <p>Zawsze odłączaj maszynę przed wykonywaniem jakichkolwiek czynności na niej.</p> <p>Unikaj przypadkowego uruchomienia</p> <p>Nie używaj maszyny z uszkodzonym przełącznikiem.</p> <p>Wtyczka narzędzia elektrycznego musi ściśle odpowiadać gniazdu. Nie należy używać żadnych adapterów razem z uziemionymi narzędziami elektrycznymi.</p>
	<p>Za każdym razem, gdy pracujesz z maszyną zasilaną elektrycznie, zaleca się ostrożność! Istnieje ryzyko porażenia prądem, pożaru, skaleczenia;</p> <p>Chroń maszynę przed wilgocią (powodującą zwarcie)</p> <p>Nigdy nie używaj elektronarzędzi i maszyn w pobliżu łatwopalnych cieczy i gazów (niebezpieczeństwo wybuchu).</p> <p>Regularnie sprawdzaj, czy kabel nie jest uszkodzony</p> <p>Nie używaj kabla do przenoszenia maszyny ani do mocowania przedmiotu obrabianego.</p> <p>Chroń kabel przed ciepłem, olejem i ostrymi krawędziami.</p> <p>Unikaj kontaktu fizycznego z uziemionymi elementami.</p>
	<p>Przed rozpoczęciem pracy usuń z obrabianego przedmiotu wszelkie gwoździe i inne ciała obce.</p> <p>Trzymaj każdą maszynę, z której nie korzystasz, poza zasięgiem dzieci.</p>
	<p>Produkt ten posiada klasę ochrony III.</p>

	<p>Oświadczenie FCC:</p> <p>To urządzenie jest zgodne z częścią 15 przepisów FCC. Jego działanie podlega następującym dwóm warunkom: (1) To urządzenie nie może powodować szkodliwych zakłóceń i (2) to urządzenie musi akceptować wszelkie odbierane zakłócenia, w tym zakłócenia, które mogą powodować niepożądane działanie.</p>
	<p>Informacje dotyczące utylizacji:</p> <p>Ten produkt podlega przepisom Dyrektywy Europejskiej 2012/19/WE. Symbol przedstawiający przekreślony kosz na śmieci na kółkach oznacza, że produkt wymaga oddzielnej zbiórki odpadów w Unii Europejskiej. Dotyczy to produktu i wszystkich akcesoriów oznaczonych tym symbolem. Produktów oznaczonych w ten sposób nie można wyrzucać razem ze zwykłymi odpadami domowymi, ale należy je oddać do punktu zbiórki w celu recyklingu urządzeń elektrycznych i elektronicznych</p>



OSTRZEŻENIE : Przeczytaj wszystkie ostrzeżenia dotyczące bezpieczeństwa, instrukcje, ilustracje i specyfikacje dołączone do tej maszyny. Nieprzestrzeganie wszystkich instrukcji wymienionych poniżej może spowodować porażenie prądem, pożar i/lub poważne obrażenia.


Zachowaj wszystkie ostrzeżenia i instrukcje, aby móc z nich skorzystać w przyszłości.

1. Obrabiarka powinna być obsługiwana przez doświadczony personel. Jeśli nie jesteś zaznajomiony z procesem obsługi tokarki, nie używaj obrabiarki dowolnie . Przed rozpoczęciem obsługi skorzystaj z instrukcji.
2. Przed uruchomieniem obrabiarki należy prawidłowo założyć osłonę zabezpieczającą.
pozycja.
3. Przed uruchomieniem obrabiarki należy sprawdzić, czy klucz do podpórki narzędzia i klucz do uchwytu zostały wyjęte.

4. Zapobiegaj przypadkowemu uruchomieniu maszyny. Wyłącz zasilanie silnika przed zamocowaniem przedmiotu obrabianego lub narzędzia.
5. Nie wymuszaj cięcia. Cięcie zgodnie z ustawioną prędkością cięcia, głębokością cięcia i prędkością posuwu.
6. Używaj właściwych narzędzi. Używaj właściwego narzędzia lub przedmiotu obrabianego do obróbki.
7. Utrzymuj narzędzie ostre i czyste, aby zapewnić normalną i bezpieczną pracę. Regularnie smaruj i wymieniaj akcesoria.
8. Przed przystąpieniem do regulacji lub naprawy maszyny należy koniecznie odłączyć zasilanie.
9. Przed uruchomieniem maszyny należy sprawdzić jej parametry bezpieczeństwa.
Sprawdź działanie wszystkich ruchomych części. Wszystkie części muszą być zainstalowane poprawnie. Uszkodzone części muszą być naprawione niezwłocznie.
10. Operator nie może odchodzić od maszyny, gdy ta pracuje.
11. Utrzymuj miejsce pracy w czystości, brudne środowisko pracy sprzyja wypadkom.
12. Nie używaj maszyny w niebezpiecznym otoczeniu.
Nie pracuj w wilgotnych miejscach. Upewnij się, że elementy elektryczne są chronione przed wilgocią. Utrzymuj dobre oświetlenie.
13. Dzieciom nie wolno wchodzić na teren robót, a personel nieoperacyjny powinien zachować bezpieczną odległość od obszaru roboczego.
14. Aby dzieci nie przebywały w miejscu pracy. Drzwi powinny być zamknięte przy opuszczaniu warsztatu.
15. Ubierz się odpowiednio. Nie noś luźnych ubrań, rękawiczek, krawatów, pierścionków, bransoletek, biżuterii itp. Aby zachować bezpieczeństwo, dla dobra bezpieczeństwa noś antypoślizgowe buty. Jeśli masz długie włosy, załóż czapkę roboczą.
16. Podczas pracy należy nosić okulary ochronne.
17. Zwracaj uwagę na to, gdzie stoisz i cały czas utrzymuj równowagę.
18. Nie zbliżaj rąk do ruchomych części maszyny.
19. Nie należy wykonywać żadnych czynności związanych z ustawieniami, gdy maszyna jest uruchomiona.

20. Przeczytaj i zrozum wszystkie znaki ostrzegawcze umieszczone na maszynie.
21. Niniejsza instrukcja ma na celu jedynie zapoznanie klienta z obsługą maszyny i nie stanowi podręcznika szkoleniowego.
22. Prosimy o przestrzeganie tych ostrzeżeń, w przeciwnym razie może dojść do poważnych obrażeń.
23. Maszyna będzie wytwarzać pewne szkodliwe substancje chemiczne podczas pracy z pyłem, piłowaniem, szlifowaniem i wierceniem powstającym podczas szlifowania. Aby zmniejszyć szkodliwość tych substancji chemicznych, należy pracować w dobrze wentylowanym miejscu i nosić środki bezpieczeństwa. Takie jak maski z filtrem cząstek stałych.

Pozostałe czynniki ryzyka

	OSTRZEŻENIE
	<ul style="list-style-type: none"> ● Ważne jest, aby mieć pewność, że każda maszyna jest obciążona ryzykiem. ● Przy wykonywaniu wszelkich prac (nawet najprostszych) wymagana jest największa uwaga. Bezpieczna praca zależy od Ciebie!

Nawet jeśli maszyna jest używana zgodnie z wymaganiami, nadal nie jest możliwe całkowite wyeliminowanie pewnych resztkowych czynników ryzyka. Następujące zagrożenia mogą wystąpić w związku z konstrukcją i projektem maszyny:

- Ryzyko obrażeń rąk/palców spowodowane obracającym się elementem obrabianym w trakcie pracy.
- Ryzyko obrażeń ciała spowodowane ostrymi krawędziami przedmiotu obrabianego, zwłaszcza w przypadku przedmiotu obrabianego nieumocowanego odpowiednim narzędziem/urządzeniem.

- Ryzyko obrażeń: włosy i luźne ubranie itp. mogą zostać wciągnięte i nawinięte! Należy przestrzegać przepisów bezpieczeństwa dotyczących odzieży.
- Ryzyko obrażeń w wyniku kontaktu z elementami elektrycznymi pod napięciem.
- Ryzyko obrażeń w wyniku emisji pyłu, obróbki przedmiotów obrabianych środkami szkodliwymi
- Ryzyko uszkodzenia oka przez latające odłamki, nawet przy noszeniu okularów ochronnych.
- Ryzyko uszkodzenia słuchu na skutek długotrwałej pracy bez ochrony słuchu.

Odrzut jest nagłą reakcją. Powoduje on wyrzucenie narzędzia w kierunku operatora.

Czynniki te można zminimalizować poprzez przestrzeganie wszystkich instrukcji bezpieczeństwa i obsługi, właściwą konserwację maszyn oraz kompetentną i właściwą obsługę przez osoby posiadające wiedzę techniczną i doświadczenie.

TECHNICAL PARAMETER

Woltaż	230 V / 50 Hz	110 V / 60 Hz
Moc silnika	350 W	
Prędkości wrzeciona	885/1245/1715/2425 obr./min	
Maksymalna średnica toczenia	Średnica 350 mm	
Średnica wrzeciona S	Średnica 22	
Gwint wrzeciona	M18	
Odległość między środkami	970 mm	
Przesuw wrzeciona konika	10 mm	
Stożek w koniku wrzeciona	MT1	
Waga	NW: 23 kg; GW: 28,2 kg	
Rozmiar opakowania	1545×300×435 mm	

Podane w niniejszej specyfikacji ogólne informacje nie mają charakteru wiążącego.

Poznaj swoją tokarkę do drewna : (Rys. 1)

1. PRZEŁĄCZNIK WŁ./WYŁ.

Urządzenie umożliwiające włączanie i wyłączanie zasilania tokarki do drewna.

2. OSŁONA PASKA I KOŁA PASOWEGO

Oslona paska i koła pasowego. Otwórz tę osłonę, aby uzyskać dostęp do paska i koła pasowego podczas zmiany prędkości środka napędowego.

3. CENTRUM NAPĘDU

Przytrzymuje obrabiany przedmiot podczas toczenia.

4. BARIERKI ŁÓŻKA

Szyny do przesuwania konika i podtrzymki narzędziowej.

5. PODPÓRKA NARZĘDZIA

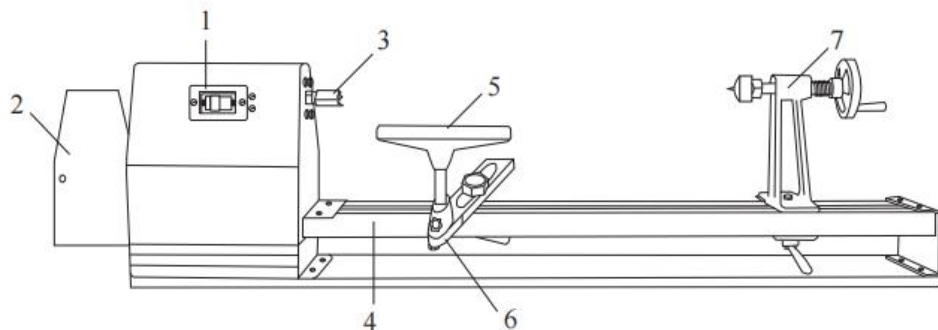
Stojak utrzymuje narzędzie podczas obracania przedmiotu obrabianego.

6. GAŁKA BLOKADY PODPORY NARZĘDZIA

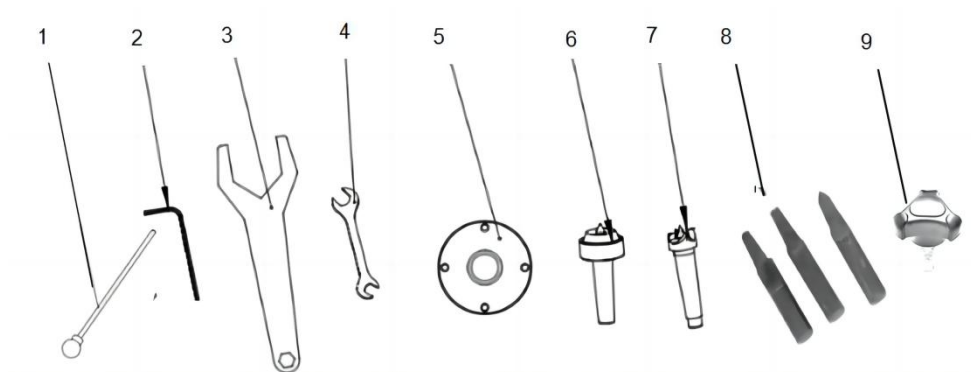
Pokrętło blokujące do regulacji wysokości podpórki narzędzia.

7. ZESPÓŁ KONIKA

Współpracuje z centrum napędowym w celu przytrzymywania przedmiotu obrabianego podczas prac tokarskich



Akcesoria standardowe



NR CZĘŚCI	OPIS	ILOŚĆ
1	Wstrzyknięcie pręta	1
2	Klucz imbusowy S3	1
3	Klucz	1
4	Klucz widełkowy	1
5	Płyta czołowa	1
6	Centrum życia	1
7	Ostroga środkowa	1
8	Podpórka narzędzi tokarskich	3
9	Uchwyt plastikowy	1

INTENDED USE

Maszyna może być używana wyłącznie zgodnie z przeznaczeniem! Każde inne użycie jest uważane za przypadek niewłaściwego użycia.

Aby prawidłowo korzystać z urządzenia, należy przestrzegać wszystkich przepisów bezpieczeństwa, instrukcji montażu, obsługi i konserwacji zawartych w niniejszej instrukcji.

Wszystkie osoby obsługujące i serwisujące maszynę muszą zapoznać się z niniejszą instrukcją i zostać poinformowane o potencjalnych zagrożeniach związanych z maszyną.

Należy również bezwzględnie przestrzegać przepisów dotyczących zapobiegania wypadkom obowiązujących na danym obszarze.

To samo dotyczy ogólnych zasad bezpieczeństwa i higieny pracy.

Maszyna służy do: Toczenia drewna.

Wszelkie manipulacje przy maszynie lub jej częściach stanowią niewłaściwe użycie. W takim przypadku partnerzy handlowi nie ponoszą odpowiedzialności za ŻADNE bezpośrednie lub pośrednie szkody.

Nawet jeśli maszyna jest używana zgodnie z zaleceniami, nadal nie jest możliwe wyeliminowanie niektórych resztkowych czynników ryzyka.



OSTRZEŻENIE

- **Nigdy nie używaj maszyny z uszkodzoną lub niezamontowaną osłoną!**
- **Usunięcie lub modyfikacja elementów zabezpieczających może spowodować uszkodzenie sprzętu i poważne obrażenia!**

NAJWIĘKSZE RYZYKO USZKODZENIA!

Warunki otoczenia

Maszyna może być obsługiwana:

Wilgotność	Maks . 70%
Temperatura	+5°C do +40°C (+41°F do +104°F)

Urządzenia nie wolno używać na zewnątrz ani w miejscach mokrych i wilgotnych.

Maszyny nie wolno używać w miejscach narażonych na zwiększone ryzyko pożaru lub wybuchu.

Zabronione użycie

Zabrania się użytkowania maszyny poza podanymi w niniejszej instrukcji ograniczeniami technicznymi.

Zabrania się korzystania z funkcji maszyny bez przycisku zatrzymania awaryjnego lub skrzynki wirnika przy otwartych drzwiach.

Zabrania się używania maszyny niezgodnie z wymaganymi wymiarami.

Zabrania się używania maszyny niezgodnie z jej przeznaczeniem i nie posiadającej certyfikatu.

Zabrania się używania urządzenia do celów innych niż opisane w niniejszej instrukcji obsługi.

Zabrania się wykonywania jakichkolwiek czynności na maszynie w trakcie jej pracy bez nadzoru!

Podczas wykonywania prac nie wolno oddalać się od bezpośredniego obszaru roboczego.

UNPACKING AND CLEANING

1. Wyjmij tokarkę do obróbki drewna z pudełka
2. Sprawdź wszystkie akcesoria obrabiarki zgodnie z listą przewozową.
3. Wybierz miejsce na tokarkę, które jest suche, ma dobre oświetlenie i wystarczająco dużo miejsca, aby można było serwisować tokarkę ze wszystkich czterech stron.
4. Aby uniknąć skrzywienia łoża, położenie tokarki musi być absolutnie płaskie i równe. Przykręć tokarkę do stojaka (jeśli jest używany).
5. Wyczyść wszystkie zabezpieczone przed rdzą powierzchnie łagodnym rozpuszczalnikiem komercyjnym, naftą lub olejem napędowym. Nie używaj rozcieńczalnika do farb, benzyny ani lakieru. Mogą one uszkodzić malowane powierzchnie. Pokryj wszystkie wyczyszczone powierzchnie cienką warstwą oleju maszynowego 20W.

ASSEMBLY

Zawartość dostawy

Proszę sprawdzić zawartość produktu natychmiast po otrzymaniu pod kątem ewentualnych uszkodzeń transportowych lub brakujących części. Roszczenia z tytułu uszkodzeń transportowych lub brakujących części muszą zostać złożone natychmiast po pierwszym otrzymaniu maszyny i rozpakowaniu przed uruchomieniem. Proszę zrozumieć, że późniejsze roszczenia nie będą już akceptowane.

Wymagania w miejscu pracy

Miejsce pracy musi spełniać wymagania.

Podłoże musi być równe, równe i twarde. Musi być co najmniej odpowiednie do obciążenia go dwukrotnością masy netto maszyny na metr kwadratowy.

Wybrane miejsce pracy musi mieć dostęp do odpowiedniej sieci zasilającej, która musi spełniać wymagania dotyczące maszyn.

Transport

Maszynę można transportować w opakowaniu za pomocą wózka widłowego.

Maszyna jest bardzo ciężka. Maszyna może być podnoszona ze skrzyni wyłącznie za pomocą odpowiedniego urządzenia podnoszącego, które jest certyfikowane do przenoszenia ładunku maszyny.



OSTRZEŻENIE

Podnoszenie i transport maszyny może być wykonywane wyłącznie przez wykwalifikowany personel przy użyciu odpowiedniego sprzętu .

Przygotowanie powierzchni

Niepokryte powłoką części maszyn metalowych zostały zaizolowane warstwą smaru w celu zapobiegania korozji.

Tę warstwę należy usunąć. Można użyć standardowych rozpuszczalników, które nie uszkadzają powierzchni maszyny.



OGŁOSZENIE

- Nie należy używać rozpuszczalników na bazie azotynów ani agresywnych rozpuszczalników, takich jak środki do czyszczenia hamulców lub środki szorujące!
- Powodują one uszkodzenie powierzchni maszyny.

Zasilacz



UWAGA

Podczas pracy z maszynami nieuziemiajmy:

Porażenie prądem może spowodować poważne obrażenia ciała, a nawet śmierć!

Dlatego : Maszyna musi być używana przy uziemionym gniazdku elektrycznym.

Podłączenie maszyny do zasilania elektrycznego oraz poniższe kontrole może wykonywać wyłącznie odpowiednio przeszkolony elektryk.

- ao. Podłączenie elektryczne maszyny jest przeznaczone do pracy z uziemionym gniazdkiem sieciowym!
- ap. Zasilanie sieciowe musi być zabezpieczone prądem 16A:
- aq. Jeśli wtyczka złącza nie pasuje lub jest uszkodzona, wyłącznie wykwalifikowany elektryk może ją zmodyfikować lub wymienić!
- ar. Przewód uziemiający powinien być w kolorze zielono-żółtym.
- as. Uszkodzony kabel należy natychmiast wymienić!
- at. Sprawdź, czy napięcie zasilania i Hz są zgodne z wymaganymi wartościami maszyny. Dopuszczalne jest odchylenie napięcia zasilania wynoszące $\pm 5\%$.
- au. Po podłączeniu sprawdź poprawność kierunku biegu!
- av. Upewnij się, że ewentualny przedłużacz jest w dobrym stanie i nadaje się do przesyłu mocy. Przewód o zbyt małym przekroju zmniejsza przesył mocy i nagrzewa się.

OPERATING ADJUSTMENTS

REGULACJA NAPIĘCIA PASKA

Tokarka jest pakowana z zainstalowanym pasem. Jednak przed użyciem będzie wymagała regulacji.

1. Odłącz tokarkę od źródła zasilania.
2. Odkręć i wyjmij śrubę sześciokątną za pomocą klucza nastawnego. (jak na rysunku 1)
3. Naciśnij pas ręką. Pas powinien przesunąć się o 1/2" po prawidłowym ustawieniu. (jak na rysunku 2)

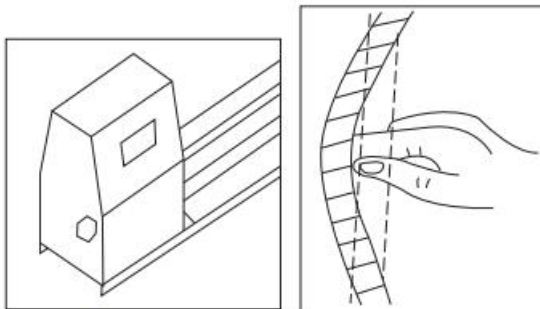


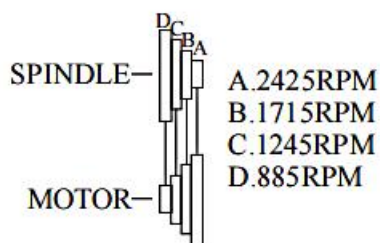
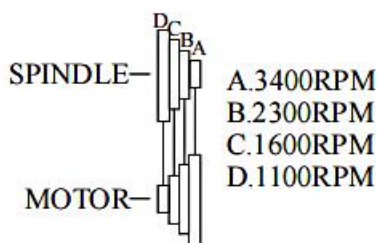
Figure 1

Figure 2

REGULACJA PRĘDKOŚCI

cztery prędkości wrzeciona: 1100, 1600, 2300 i 3400 obr./min (885 , 1245 , 1715 , 2425). Wykres 1 ilustruje, na której kierownicy paska należy umieścić pasek, aby uzyskać cztery prędkości. Wykres 2 ilustruje właściwe prędkości dla obrabianego przedmiotu.

WYKRES-1

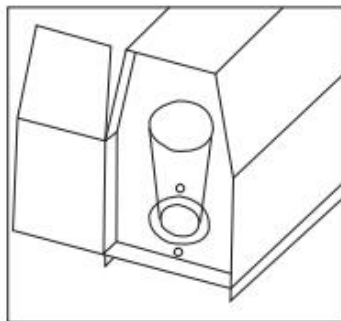


WYKRES-2

Roughing off	General cutting	Fine cutting	Finishing
1100RPM	1600RPM	2300RPM	3400RPM
885RPM	1245RPM	1715RPM	2425RPM

26. Odłącz tokarkę od źródła zasilania.
27. Otwórz osłonę paska i koła pasowego.
28. Poluzuj koło pasowe silnika, odkręcając śruby kluczem nastawnym (jak na rysunku).
29. Załóż pasek klinowy w prawidłowej pozycji, aby uzyskać żądaną prędkość.
30. Wyreguluj napięcie paska klinowego i dokręć koło pasowe silnika.

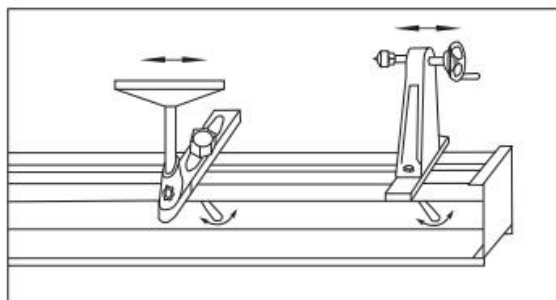
UWAGA: Aby uzyskać odpowiednie napięcie paska, naciśnij pasek ręką. Pasek powinien przesunąć się o 1/2" po prawidłowym naciągnięciu.



MONTAŻ RUCHOMEGO KONIKA I PODPÓRKI NARZĘDZIA

Konik i podpórka narzędziowa są przymocowane do łoża za pomocą uchwyty blokującego tuż pod szynami łoża. Aby przesunąć je do nowej pozycji:

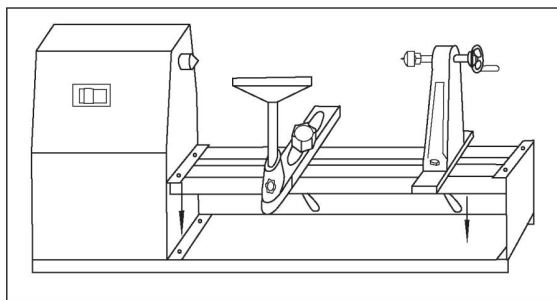
1. Odłącz tokarkę od źródła zasilania.
2. Odkręć uchwyt blokady za pomocą pokrętła.
3. Przesuń zespół konika lub podpórki narzędzia wzdłuż łoża i dokręć uchwyt blokujący. (jak na rysunku)



MONTAŻ TOKARKI

Tokarka musi być zamontowana na stabilnej powierzchni nośnej, np. na stojaku lub workbech podczas pracy. Aby zamontować tokarkę:

1. Odłącz tokarkę od źródła zasilania.
2. Zlokalizuj i zaznacz miejsce, w którym chcesz zamontować tokarkę (jak na rysunku).
3. Wywierć cztery (4) otwory o średnicy 5/16" w stole roboczym.
4. Umieść tokarkę na stole roboczym, dopasowując otwory w łożu do otworów wywierconych w stół warsztatowy.
5. Włóż cztery śruby (sprzedawane oddzielnie) i dokręć.



USUWANIE WRZECIONA KONIKA

Aby wyjąć wrzeciono konika z zespołu konika:

1. Odłącz tokarkę od źródła zasilania.
2. Zdejmij koło ręczne, luzując śrubę ustalającą kluczem imbusowym 1/8" od wrzeciona (jak na rysunku 1).
3. Odkręcić wrzeciono konika od zespołu konika (jak na rysunku 2).

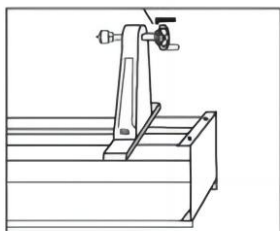


Figure 1

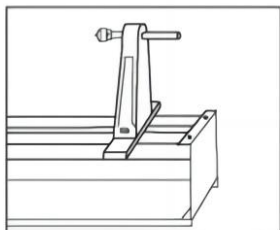
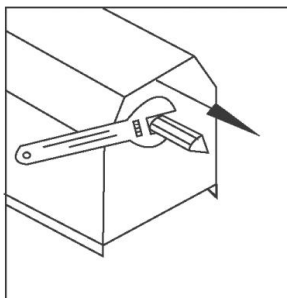


Figure 2

WYJMOWANIE ŚRODKA NAPĘDU

Środek napędowy musi zostać usunięty, aby przymocować go do materiału podczas toczenia wrzeciona. Należy go również usunąć podczas mocowania płyty czołowej do toczenia płyty czołowej. Aby usunąć środek napędowy z wrzeciona napędowego:

1. Odłącz tokarkę od źródła zasilania.
2. Za pomocą klucza przytrzymaj płaską szyjkę wrzeciona napędowego. Następnie odkręć środek napędowy w kierunku przeciwnym do ruchu wskazówek zegara (jak na rysunku).

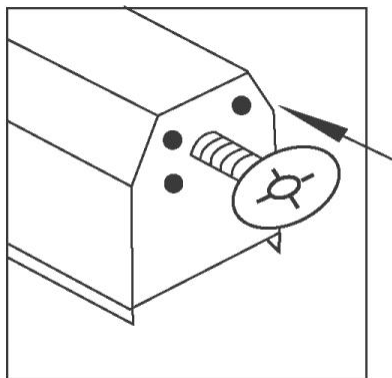


INSTALACJA PŁYTY CZOŁOWEJ

Płyta czołowa jest dostarczana z tokarką. Aby zainstalować płytę czołową:

1. Odłącz tokarkę od źródła zasilania.
2. Zdjąć środek napędowy z wrzeciona napędowego.

3. Wyrównaj środkowy otwór płyty czołowej z gwintem wrzeciona (jak na rysunku).
4. Przykręć płytkę czołową do wrzeciona.



WYRÓWNANIE CENTRÓW

Jeżeli środki nie znajdują się w liniach należy wykonać następujące korekty:

1. Przesuń zespół konika bliżej zespołu środka napędowego. (jak na rysunku 1)
2. Zablokuj zespół konika.
3. Odkręć cztery śruby sześciokątne wokół środka napędu (jak na rysunku 2).
4. Obróć środek napędu tak, aby dwa środki znalazły się w jednej linii, a następnie dokręć śruby.

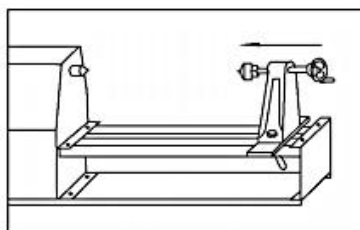


Figure 1

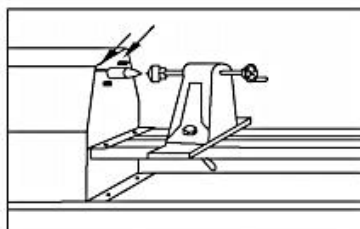


Figure 2

OPERATION

Urządzenie należy eksploatować wyłącznie w idealnym stanie. Przed każdym użyciem należy wizualnie sprawdzić urządzenie. W szczególności należy sprawdzić, czy urządzenia zabezpieczające, elementy sterujące, kable elektryczne i połączenia śrubowe nie są uszkodzone i czy są prawidłowo dokręcone. Przed uruchomieniem urządzenia należy wymienić wszelkie uszkodzone części.

TOCZENIE WRZECIONA

Poniższa instrukcja pozwoli początkującemu rozpocząć pracę z tokarką do drewna. Użyj kawałka drewna, aby sprawdzić ustawienie i poczuć działanie przed przystąpieniem do normalnej pracy.

OSTRZEŻENIE Zawsze trzymaj ręce z dala od centralnej części napędu lub jego panelu przedniego, gdy zasilanie jest włączone.

1. Wybierz kawałek drewna.
2. Narysuj linie skośne na obu końcach, aby ustalić środek. (jak na rysunku 1)
3. Na końcu wykonaj cięcie piłą o głębokości około 1/16" na każdej linii przekątnej. Jest to cięcie środka napędu. Przydatna będzie w tym celu mała piła ręczna.
koniec przeznaczony jest do środka konika.
4. Za pomocą drewnianego (gumowego) lub plastikowego młotka wbij środek konika w drewno. Wyjść środek konika (jak na rysunku 2).
5. Wbij środek napędowy w drugi koniec drewna. Upewnij się, że ostrogi znajdują się w cięciach piły. Wyjmij środek napędowy.
6. Wyczyść centra, gwint wrzeciona napędowego i otwór gwintowany korpusu konika. Zamontuj centrum napędowe w wrzecionie napędowym, a centrum konika w korpusie konika.
7. Umieść drewno pomiędzy środkami i zablokuj korpus konika.
8. Przesuń środek konika w drewno, obracając kołem ręcznym. Upewnij się, że środek napędowy i środek napędowy są „osadzone” w drewnie w otworach wykonanych w krokach 4 i 5. Obróć drewno ręcznie, obracając jednocześnie koło ręczne.
9. Ustaw podpórkę narzędzia w odległości około 1/8" od narożników

- drewna i 1/8" nad linią środkową. Zablokuj podstawę podpórki narzędzia i podpórkę narzędzia. (jak na rysunku 3)
- Obróć drewno ręcznie, aby upewnić się, że narożniki nie uderzają w podpórkę narzędzia.
 - Sprawdź ustawienia prędkości sugerowane w tabeli wyboru prędkości.
 - W miarę zmniejszania się średnicy materiału należy często dokonywać ponownej regulacji, jak w kroku 9.

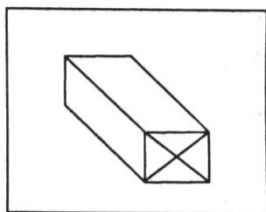


Figure 1

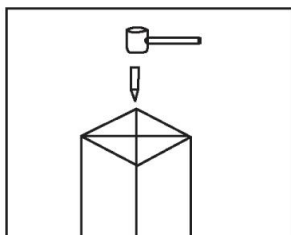


Figure 2

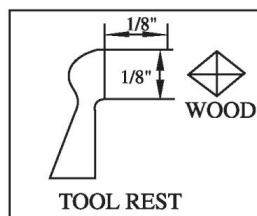


Figure 3

POZYCJA DŁONI

Pozycja twoich rąk względem narzędzia będzie zależec od stopnia dźwigni, jaki jest wymagany.

Uchwyt narzędzia zwykle trzyma się wnętrzem dłoni do góry. Palec wskazujący pełni funkcję prowadnicy, przesuwając się wzdłuż podpórki narzędzia podczas wykonywania cięcia. Uchwyt skierowany wnętrzem dłoni do dołu można wykorzystać do ciężkiej obróbki zgrubnej. Pięta dłoni lub mały palec będą służyć jako prowadnica.

ZGRUBNE OBRÓBKI CYLINDRA WRZECIONA

Do tej operacji toczenia używa się dużego rowka. Podczas tej operacji należy ustawić niską prędkość tokarki. Cięcie powinno zaczynać się około 2" od końca konika i kontynuować w kierunku końca konika. Każde odpowiadające cięcie będzie wykonywane około 3" na lewo od pierwszego cięcia. Będzie to kontynuowane, aż osiągniesz pozycję 2" od środka głowicy. Następnie będziesz toczyć dłuto w przeciwnym kierunku, co przeniesie cięcie do końca wrzeciona.

JAK UŻYWAĆ NARZĘDZIA DO ROZDZIELANIA

Narzędzie do rozdzielania ma jeden główny cel: cięcie proste w obrabianym przedmiocie na żadaną głębokość lub na całej długości, aby wykonać odcięcie. Jest to zatem bardzo wąskie narzędzie (szerokości 1/8") i ma kształt umożliwiający cięcie własnej szczeliny, dzięki czemu krawędź nie zostanie spalona. Podczas skrobania, Jednakże, należy go regularnie wyłączać, aby zapobiec przegrzaniu. W przeciwieństwie do dłut i skosów, narzędzie rozdzielające rzadko jest trzymane fazą przy przedmiocie obrabianym. Ponieważ ilość usuwanego materiału jest niewielka, podpora dla ścięcia nie jest konieczna. Narzędzie jest po prostu wprowadzane do materiału pod kątem (do cięcia) , lub skierowane w środek przedmiotu obrabianego (w celu skrobania).

JAK UŻYWAĆ SKEW

Narzędzie to jest prawie zawsze używane do wykonywania wykończeniowych cięć, wycinania trójkątów i listew przypodłogowych lub do prostowania ramion. Przy prawidłowym użyciu pozwala uzyskać najlepszą jakość wykończenia, jaką można uzyskać przy użyciu dłuta. Należy używać go bardzo mało do skrobania, ponieważ to szybko je stępia.

Do cięcia wykończeniowego, pochylenie jest utrzymywane ostrzem tnącym znacznie przed uchwytem, stroną ściętą do dołu. Utrzymuj dobry skos nad pracą, odciągnij go, aż krawędź zacznie ciąć, Następnie przesuń uchwyt do pozycji umożliwiającej rozpoczęcie cięcia. Zarówno czubek, jak i pięta skosu mogą być używane do wykonywania lekkich cięć. Nie wnikaj w drewno zbyt głęboko, bez cięcia prześwity, gdyż istnieje niebezpieczeństwo poparzenia końcówki narzędzia.

PRZECINANIE RAMIENIA

Ramię może być bokiem kwadratowej części pozostawionej w obrabianym przedmiocie, bokiem toczonyj sekcji, lub na końcu przedmiotu obrabianego. Większość ramion jest prostopadła do osi roboczej, ale ramię może być pod dowolnym kątem.

Pierwszy, zaznacz położenie barku ołówkiem trzymany nad obracającym się przedmiotem. Następnie wykonaj cięcie kalibrujące za pomocą narzędzia rozdzielającego, umieszczając cięcie około 1/16" poza pozycją barku. Przytnij do 1/8" głębokości pożądaną dla obszaru poza barkiem. Jeśli ramię jest płytke, czubek skosu można wykorzystać do wykonania cięcia kalibrującego. Nie należy wykonywać cięcia głębszego niż 1/8" skosem, chyba że wycięto szersze V, aby zapewnić odstęp dla narzędzia. Za pomocą dłuta usuń wszelkie odpady poza ramieniem. Wygładź sekcję do 1/8" od ramienia. Jeżeli wysokość nie przekracza 1", najlepiej zrobić to przy skosie 1/2".

Pierwszy, za pomocą czubka skośnika usuń wióry z boku barku aż do uzyskania gotowego rozmiaru. Przytrzymaj skos tak, aby dolna krawędź ścięcia obok ramienia była niemal równoległa do boku ramienia. Upewnij się, że ostrze tnące jest skierowane w górę, tak, aby tylko skrajny palec wykonywał cięcie. Jeżeli krawędź tnąca przylega płasko do barku, dłuto będzie pracować. Zaczynaj od opuszczenia uchwytu nisko, a następnie podnieś go, aby zagłębić palec w materiał. Przytnij do gotowej średnicy zewnętrznej powierzchni, następnie wyczyść róg, przesuwając się piętą skosu wsuń wzdłuż powierzchni zewnętrznej. Przechyl krawędź tnącą, z uchwytem podniesionym do góry, tak, aby tylko skrajna pięta wykonywała cięcie, jeśli ramię znajduje się na końcu pracy, Proces ten nazywa się „kwadratowaniem końca”. W tym przypadku, zmniejsz zewnętrzną część do średnicy około 1/4" większy niż środek narzędzia średnica. Później odpiłuj odpady.

WYCINANIE ZATOCZEK

Zaznacz krawędzie ołówkiem. Następnie zgrubnie wygładź powierzchnię do około 1/8" od pożądanego wykończenia, zeszkrobując ją dłutem lub dłutem o okrągłym czubku. Jeśli wgłębienie ma być bardzo szerokie, można wykonać nacięcia wymiarowe, aby wyznaczyć zgrubne wykończenie. Po wykonaniu zgrubnego wykończenia, zatoczkę można wykończyć dwoma cięciami; po jednym z każdej strony do środka na dole. Na początku każdego cięcia dłuto należy trzymać ręką do góry, a obie strony ostrza trzymać kciukiem i palcem wskazującym ręką

narzędzia. tuż za ścięciem. Ustaw palce tak, aby były gotowe do wtoczenia ostrza w zagłębienie. Trzymaj ostrze tak, aby ścięcie znajdowało się pod kątem 90 stopni do osi roboczej. z punktem dotykającym linii ołówka i skierowanym w stronę osi roboczej.

Od tego początku, lekko naciśnij końcówkę, aby rozpocząć cięcie, a następnie kontynuuj przesuwanie końcówki w dół w kierunku dolnej środkowej wnęki. Jednocześnie tnij dłutem równomiernie, tak aby, na końcu cięcia, będzie płasko na dnie zatoki. Celem jest utrzymanie skrajnego punktu wyżłobienia wykonującego cięcie od początku do końca. Aby przeciąć przeciwną stronę, należy wykonać ruchy w odwrotnej kolejności.

PRZECINANIE V

Rowki w kształcie litery V można wycinać zarówno palcem, jak i piętą skośnej deski. Gdy używany jest palec, czynność cięcia jest dokładnie taka sama jak przy przycinaniu barku, z wyjątkiem tego, że pochylenie jest przechylone w stronę

tnij pod wymaganym kątem. Lekkie cięcia należy wykonywać najpierw z jednej strony, potem drugi, stopniowo powiększając kształt litery V do wymaganej głębokości i szerokości.

W przypadku użycia pięty, skos jest obracany w dół w kierunku obrabianego przedmiotu, wykorzystując podpórkę narzędzia jako punkt obrotu.

W przeciwnym razie, pozycja cięcia i kolejność cięć jest taka sama. Podobnie jak w przypadku używania palców u nóg, ważne jest, aby cięcie było wykonywane tylko przez skrajny koniec krawędzi tnącej. Jeśli planowane są głębokie wcięcia, szybszym sposobem jest rozpoczęcie ich od nacięcia w środku każdego V. Wargi można również zeszkrobać dłutem o ostrym czubku lub pilnikiem trójkątnym.

UKŁADANIE PROJEKTU

Najpierw należy przygotować układ, który zapewni wizualny wzór do naśladowania podczas wykonywania toczenia. Wzór można rozłożyć w taki sam sposób, jak wzory wrzecion. Można przyłożyć szablony do pracy

w celu wizualnego porównania. Na ekranie można szybko narysować okręgi, które pozwolą zlokalizować różne punkty krytyczne. obracanie pracy za pomocą dzielników.

OBRÓT PROJEKTU

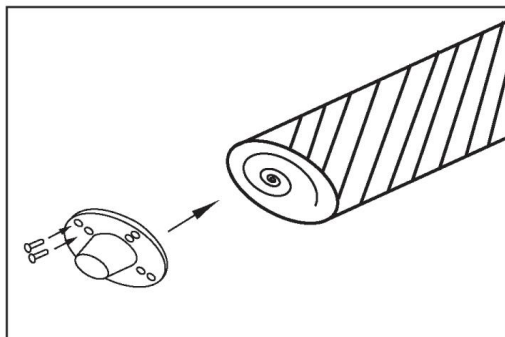
Pierwszym krokiem jest usunięcie jak największej ilości drewna poprzez nawiercenie otworu w środku największym dostępnym wiertłem do drewna. Należy dokładnie zmierzyć wcześniej głębokość, na jaką można wbić wiertło.

Następny, usuń większość odpadów za pomocą skrobaczki o okrągłym czubku lub dłuta miskowego.

Usuń w ten sposób do 1/8" gotowego rozmiaru. Wykończ wewnętrzny obwód, zeszkrobując okrągłym końcem lub pozostawionym okrągłym skrobak. Wygładź dno wgłębienia za pomocą skrobaka o płaskim czubku. Staraj się zawsze umieszczać tę część podpórki narzędzia, która ją podtrzymuje, jak najbliżej powierzchni roboczej.

MONTAŻ PRZEDMIOTU OBRABIANEGO DO PŁYTY CZOŁOWEJ

Płytę czołową można zamontować bezpośrednio do przedmiotu obrabianego, mocując cztery (lub osiem) wkręty do drewna (sprzedawane oddzielnie). To prosty proces, który należy stosować zawsze, gdy jest to możliwe.



OSTRZEŻENIE

Zawsze upewnij się, że obrabiany przedmiot jest solidnie przymocowany do płyty czołowej lub między środkami. Podczas obracania płyty czołowej zawsze upewnij się, że śruby mocujące nie stykają się z narzędziem tokarskim w miarę postępu pracy.

OBRÓT PŁYTY CZOŁOWEJ

Do toczenia, które nie jest montowane między środkami, potrzebna jest płyta czołowa.

trzymając przedmiot obrabiany. Wszystkie przedmioty obrabiane tego typu powinny być lekko większe od wymiarów w celu wyeliminowania cięć zgrubnych i wibracji.

Instrukcje obsługi



UWAGA

Nigdy nie włączaj maszyny, dociskając dłuto do materiału!



OGŁOSZENIE

- Przed włączeniem maszyny należy upewnić się, że podpórka narzędzi jest mocno dokręcona
- Przed każdym obróceniem ręką należy obrócić zamocowany przedmiot obrabiany, aby upewnić się, że porusza się on swobodnie i nie dotyka pozostałego narzędzia!
- Sprawdź także, czy przedmiot obrabiany jest wyśrodkowany i mocno zamocowany!
- Podczas obróbki należy trzymać dłuto obiema rękami, aby było bezpieczne i mocne!
- Pracuj tylko przy użyciu dobrze naostrzonych narzędzi!
- Duże i niewyważone elementy obrabiać wyłącznie przy niskiej prędkości wrzeciona!
- Należy bezwzględnie przestrzegać danych dotyczących maksymalnych i minimalnych wymiarów przedmiotu obrabianego!
- Nie wolno używać przedmiotów z pęknięciami!
- Podajemy obróbce wyłącznie wyselekcjonowane gatunki drewna, bez wad!

Działanie

Włącznik-wyłącznik


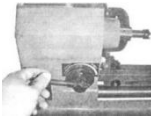
Włączanie: Naciśnij zielony przycisk („I”) na 2 sekundy. Maszyna zaczyna działać.

Wyłączanie: Naciśnij czerwony przycisk („0”).


Maszyna nie zatrzymuje się natychmiast! Pozostań przy maszynie tak długo, aż przedmiot obrabiany całkowicie się zatrzyma (Nie zatrzymuj przedmiotu obrabianego ręcznie!)

Regulacja prędkości



Prędkość można regulować bezstopniowo, obracając dźwignię regulacji prędkości.

OGŁOSZENIE		
	<p>Przed przekręceniem przełącznika należy ustawić dźwignię na najniższą prędkość. WŁ./WYŁ., w przeciwnym razie silnik może się nie uruchomić!</p>	

Podstawka pod narzędzia

OGŁOSZENIE	
	<p>Podpórkę narzędzia należy dobrać jak najbliżej przedmiotu obrabianego! Regulacja wysokości tuż poniżej linii środkowej przedmiotu obrabianego. Obróć przedmiot obrabiany ręcznie i sprawdź, czy może się swobodnie obracać, zanim zaczniesz go obracać!</p>

MAINTENANCE

UWAGA		
	<p>Wszystkie czynności konserwacyjne należy wykonywać po odłączeniu maszyny od zasilania!</p> <p>Poważne obrażenia ciała na skutek przypadkowego lub automatycznego uruchomienia maszyny!</p>	

Maszyna nie wymaga rozległej konserwacji. W przypadku wystąpienia usterek i uszkodzeń, serwisowanie powinno być wykonywane wyłącznie przez przeszkolone osoby.

Przed pierwszym uruchomieniem, a także później co 100 godzin pracy, należy nasmarować wszystkie elementy łączące (w razie potrzeby usunąć wcześniej szczotką wszelkie wióry i kurz).

Regularnie sprawdzaj stan naklejek zabezpieczających. W razie potrzeby wymień je.

Regularnie sprawdzaj stan maszyny.

Dobry stan i perfekcyjne wyregulowanie rolek prowadzących jest niezbędne dla płynnego prowadzenia taśmy i czystego cięcia.

Przechowuj maszynę w zamkniętym i suchym miejscu.

OGŁOSZENIE

Regularnie czyść maszynę po każdym użyciu – przedłuża to jej żywotność i jest warunkiem bezpiecznego środowiska pracy.

Prace naprawcze mogą być wykonywane wyłącznie przez odpowiednio przeszkolonych fachowców!

Plan konserwacji

Po każdej zmianie roboczej:

Wyczyść maszynę i jej części silnym strumieniem sprężonego powietrza z pyłu drzewnego i innych resztek materiału. Części ruchome można również czyścić szczotką lub miękką szczotką. Nałóż cienką warstwę oleju smarującego na wszystkie ruchome części maszyny.

Po 50 godzinach pracy

Sprawdź paski klinowe.

Określ przyczynę postrzępionych pasów. Sprawdź, czy nierówne lub szorstkie powierzchnie i koła pasowe paska klinowego są zbudowane. Wymień postrzępione lub rozciągnięte paski!

Czyszczenie

Po każdej zmianie roboczej maszynę należy wyczyścić. Usuń wióry itp. za pomocą odpowiedniego narzędzia. Nie usuwaj ich ręcznie (rany cięte!). Usuń również kurz.

OGŁOSZENIE



Stosowanie niektórych roztworów zawierających składniki uszkodzające powierzchnie metalowe, a także stosowanie środków szorujących spowoduje uszkodzenie powierzchni maszyny!
Wyczyść powierzchnię maszyny wilgotną szmatką nasączoną łagodnym roztworem.

Sprzedaż

Nie wyrzucaj urządzenia do odpadów reszkowych. Skontaktuj się z lokalnymi władzami, aby uzyskać informacje na temat dostępnych opcji utylizacji. Kiedy kupujesz u lokalnego dealera urządzenie zamienne, ten ostatni jest zobowiązany wymienić stare.

TROUBLE SHOOTING

PRZED ROZPOCZĘCIEM PRACY MAJĄCEJ NAD USUNIĘCIEM USTERKI, ODŁĄCZ URZĄDZENIE OD ZASILANIA .

Kłopoty	Możliwa przyczyna	Rozwiązanie
Hałaśliwa praca	<ul style="list-style-type: none"> a. Nieprawidłowe naprężenie paska b. Luźne koło pasowe c. Luźny łańcuch d. Złe łożysko 	<ul style="list-style-type: none"> a. Dostosuj napięcie b. Dokręć koło pasowe c. Wyreguluj napięcie paska d. Wymień łożysko
Silnik nie chce się uruchomić	<ul style="list-style-type: none"> a. Zasilanie b. Podłączenie silnika c. Połączenia przełączników d. Uzwojenia silnika spalone e. Zły przełącznik 	<ul style="list-style-type: none"> a. Sprawdź przewód zasilający b. Sprawdź połączenia silnika c. Sprawdź połączenia silnika d. Wymień silnik e. Wymień przełącznik
Podpórka narzędziowa lub konik trudno się poruszać	<ul style="list-style-type: none"> a. Potrzebne jest smarowanie b. Wygięte bariereki łożka c. Nakrętka zabezpieczająca dokręcona 	<ul style="list-style-type: none"> a. Smarowanie lekkim olejem b. Wyprostuj bariereki łożka c. Poluzuj nakrętkę zabezpieczającą

**WIELE POTENCJALNYCH ŹRÓDEŁ BŁĘDÓW MOŻE ZOSTAĆ
USUNIĘTE PRZEZ SPECJALISTYCZNE PODŁĄCZENIE DO SIECI
ELEKTRYCZNEJ.**



OGŁOSZENIE

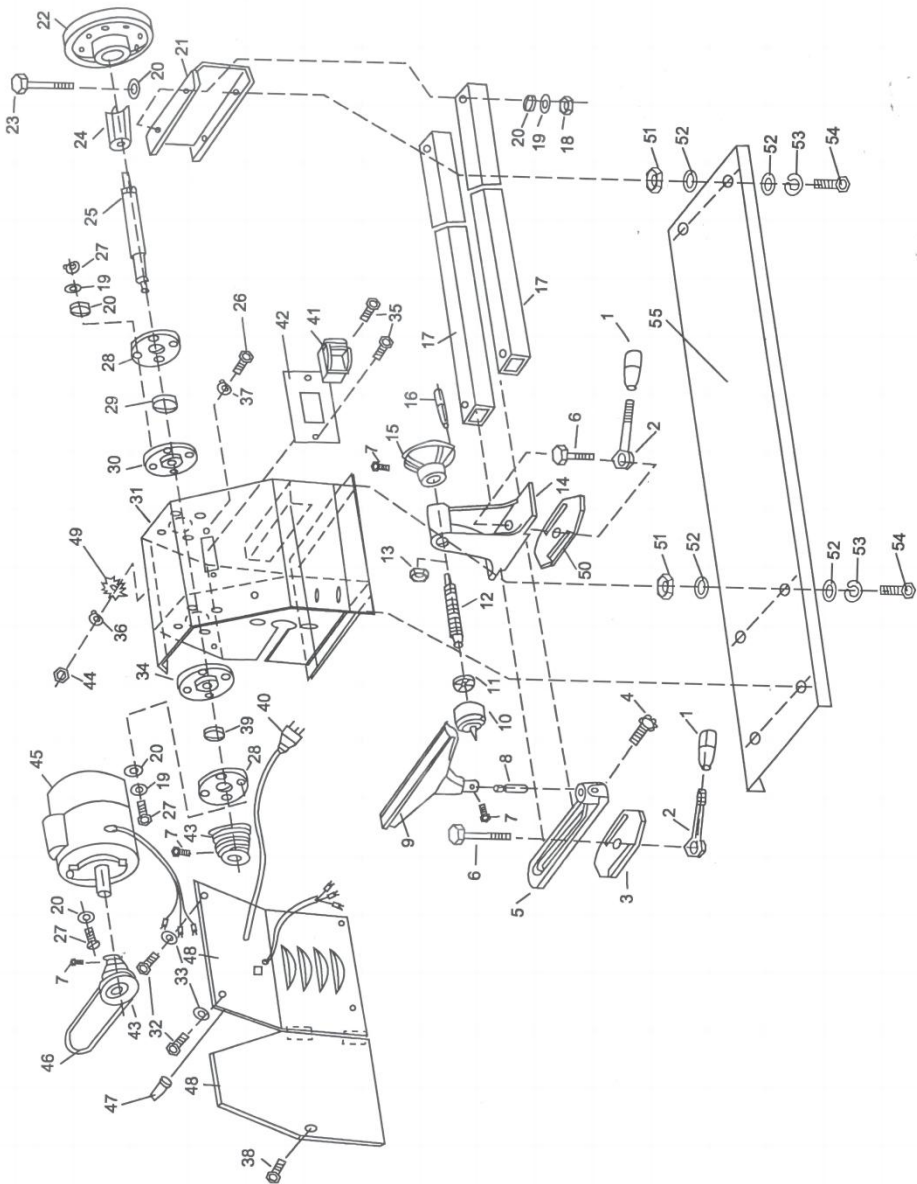
**Jeśli nie jesteś w stanie prawidłowo wykonać niezbędnych napraw
lub nie masz odpowiedniego przeszkolenia, zawsze wezwij warsztat
w celu usunięcia problemu.**

EXPLOSIONSZEICHNUNG / EXPLOSION DRAWING

NR INDEKSOWY	OPIS	ROZMIAR	ILOŚĆ
1	Gałka klamki blokującej		2
2	Klamka blokująca		2
3	Zacisk		1
4	Gałka blokująca		1
5	Uchwyt na podpórkę narzędziową		1
6	Śruba	(M14x70)	2
7	Śruba	(M6x10)	4
8	Pasek podporowy		1
9	Podstawka pod narzędzia		1
10	Centrum		1
11	Łożysko	6201	1
12	Wrzeciono konika		1
13	Śruba	(M18)	1
14	Konik		1
15	Koło ręczne		1
16	Pasek koła ręcznego		1
17	Barierka łózkowa		2
18	Nakrętka	(M8)	4

19	Podkładka sprężysta	8	12
20	Pralka	8	18
21	Kibic		1
22	Płyta czołowa		1
23	Śruba	(M8x55)	4
24	Centrum napędowe		1
25	Wrzeciono napędowe		1
26	Śruba	(M4x10)	2
27	Śruba	(M8x16)	10
28	Podkładka łożyskowa		2
29	Łożysko	6204	1
NR INDEKSOWY	OPIS	ROZMIAR	ILOŚĆ
30	Baza opiekuńcza		1
31	Gabinet		1
32	Śruba	(M5x12)	4
33	Pralka	(5)	4
34	Podstawa łożyska		1
35	Plama	(M4x12)	2
36	Podkładka sprężysta	(4)	2
37	Pralka	(4)	2
38	Śruba	(M8x16)	1
39	Opieka	6203	1
40	Wtyczka		1
41	Przełącznik		1
42	Tablica rozdzielcza		1
43	Koło pasowe		2
44	Nakrętka	(M4)	2
45	Silnik		1
46	Pas trójkątny	(0500)	1
47	Krzak		1
48	Ośłona koła pasowego i koła pasowego		1
49	Podkładka niedźwiedzia	(4)	2
50	Zacisk		1

51	Nakrętka	(8)	6
52	Pralka	(8)	12
53	Podkładka sprężysta	(8)	6
54	Śruba	(M8x20)	6
55	Płyta bazowa		1



VEVOR[®]

TOUGH TOOLS, HALF PRICE

Techniczny Wsparcie i certyfikat e-gwarancji

www.vevor.com/support

VEVOR[®]

TOUGH TOOLS, HALF PRICE

Technisch Ondersteuning en E-garantiecertificaat www.vevor.com/support

HOUTDRAAIBANK

GEBRUIKSAANWIJZING

MODEL: MCS1000

We continue to be committed to provide you tools with competitive price.

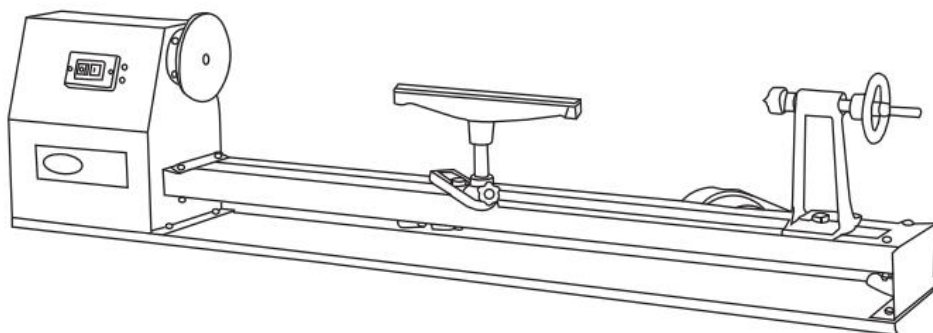
"Save Half", "Half Price" or any other similar expressions used by us only represents an estimate of savings you might benefit from buying certain tools with us compared to the major top brands and does not necessarily mean to cover all categories of tools offered by us. You are kindly reminded to verify carefully when you are placing an order with us if you are actually saving half in comparison with the top major brands.

VEVOR®

TOUGH TOOLS, HALF PRICE

WOOD LATHE

MODEL: MCS1000



NEED HELP? CONTACT US!

Have product questions? Need technical support? Please feel free to contact us:

Technical Support and E-Warranty Certificate
www.vevor.com/support

This is the original instruction, please read all manual instructions carefully before operating. VEVOR reserves a clear interpretation of our user manual. The appearance of the product shall be subject to the product you received. Please forgive us that we won't inform you again if there are any technology or software updates on our product.

MATTERS NEEDING ATTENTION

De informatie in deze handleiding is bedoeld als leidraad voor de bediening van deze machines en maakt geen deel uit van een contract. De gegevens die het bevat, zijn verkregen van de fabrikant van de machine en van andere bronnen. Wij streven ernaar de nauwkeurigheid van deze informatie te waarborgen en proberen elk item en elke gegevens te verifiëren, maar we kunnen de volledige nauwkeurigheid van de informatie niet garanderen, wat betekent dat de levering van de apparatuur in detail kan afwijken van de beschrijving van de instructies. Bovendien kan de ontwikkeling van de machine betekenen dat de geleverde apparatuur in detail kan afwijken van de beschrijvingen hierin. De verantwoordelijkheid ligt daarom bij de gebruiker om zichzelf ervan te vergewissen dat de beschreven apparatuur of het beschreven proces geschikt is voor het beoogde doel.




QUALITY ASSURANCE

Wij doen er alles aan om de kwaliteit van onze producten te waarborgen en beloven consumenten dat wij één jaar garantie op onze producten geven, met uitzondering van schade aan de machine die is veroorzaakt door onjuiste bediening door klanten en ongevallen die daaruit voortvloeien, of abnormale slijtage en schade die is veroorzaakt door gebrek aan onderhoud.






Om de garantieverplichting na te komen, dient u het product of onderdeel met kwaliteitsproblemen ter verificatie naar ons terug te sturen, gefrankeerd. Teruggestuurde goederen dienen vergezeld te gaan van een notitie met de aankoopdatum en een schriftelijke uitleg van de kwaliteit van het product. Na onze inspectie en bevestiging zullen wij hun producten repareren of vervangen, of de betaling terugbetalen; Als wij niet tijdig reparatie of vervanging uitvoeren, dragen wij de kosten die voortvloeien uit

de reparatie of vervanging van de producten; Als de schade niet te wijten is aan de kwaliteit van het product, maar aan onjuiste bediening door de gebruiker of andere redenen, zijn de kosten voor rekening van de klant. Ons bedrijf behoudt zich het recht voor om wijzigingen aan te brengen in deze specificatie en productspecificaties. Wij zullen ons voortdurend inspannen om de kwaliteit van onze producten te verbeteren. Alle rechten voorbehouden. Reproductie of reproductie is niet toegestaan zonder toestemming.

SAFETY WARNING

Symbo ol	Symbool Beschrijving
	<p>Waarschuwing - Om het risico op letsel te verkleinen, dient de gebruiker de gebruiksaanwijzing zorgvuldig te lezen.</p>
	<p>Dit symbool, geplaatst voor een veiligheidsopmerking, geeft een soort voorzorgsmaatregel, waarschuwing of gevaar aan. Het negeren van deze waarschuwing kan leiden tot een ongeluk. Om het risico op letsel, brand of elektrocutie te verminderen, dient u altijd de onderstaande aanbeveling op te volgen.</p>
	<p>Overbelast de machine niet Zorg voor een goede stabiliteit en houd te allen tijde het evenwicht Vermijd abnormale werkhoudingen! Zorg ervoor dat u rechtop staat en te allen tijde uw evenwicht bewaart. Blijf altijd gefocust tijdens het werken. Verminder vervormingsbronnen in uw werkomgeving. Het bedienen van de machine bij vermoeidheid, evenals onder invloed van alcohol, drugs of concentratiebeïnvloedende medicijnen is verboden. Klim niet op de machine! De machine mag uitsluitend worden bediend door daartoe opgeleide personen (die kennis en begrip hebben van deze handleiding) die qua motoriek geen beperkingen hebben in vergelijking met conventionele werknemers.</p>

	<p>Laat andere mensen, met name kinderen, de machine of de kabel niet aanraken. Houd ze uit de buurt van uw werkgebied. Maak uw werkplaats kindveilig.</p> <p>Zorg ervoor dat er niemand aanwezig is in het gevaarlijke gebied. De minimale veiligheidsafstand is 2m</p> <p>Draag geschikte werkkleding</p>
	<p>Gevaar!</p> <p>Gevaar voor persoonlijk letsel of milieuschade! Gevaar voor elektrische schok! Gevaar voor persoonlijk letsel door elektrische schok!</p>
	<p>Wisselstroom</p>
	<p>Grijp nooit de draaiende machine vast!</p> <p>Verwijder spanen en werkstukdelen alleen als de machine stilstaat!</p> <p>Werkstukken nooit met de hand tegenhouden tijdens het uitlopen!</p> <p>Voer nooit metingen uit op een roterend werkstuk!</p>
	<p>Draag geen veiligheidshandschoenen!</p>
	<p>Waarschuwing: draag altijd gehoorbescherming wanneer u dit product gebruikt.</p>
	<p>Waarschuwing: draag altijd een oogbescherming wanneer u dit product gebruikt.</p>
	<p>Waarschuwing: draag altijd een stofmasker wanneer u dit product gebruikt.</p>
	<p>Draag geschikte werkkleding! Draag geen losse kleding of sieraden, want deze kunnen vast komen te zitten in bewegende delen en ernstige ongelukken veroorzaken! Draag een haarnetje als u lang haar hebt.</p>

	<p>Losse voorwerpen kunnen verstrikt raken en ernstig letsel veroorzaken!</p>
	<p>Laat de machine nooit onbeheerd draaien! Voordat u het werkgebied verlaat, schakelt u de machine uit en wacht u tot de machine stopt.</p> <p>Koppel altijd de machine los voordat u handelingen aan de machine uitvoert.</p> <p>Voorkom onbedoeld starten</p> <p>Gebruik de machine niet met een beschadigde schakelaar.</p> <p>De stekker van een elektrisch gereedschap moet strikt overeenkomen met het stopcontact. Gebruik geen adapters samen met gearde elektrische gereedschappen</p>
	<p>Elke keer dat u met een elektrisch aangedreven machine werkt, is voorzichtigheid geboden! Er is een risico op elektrische schokken, brand, snijwonden;</p> <p>Bescherm de machine tegen vocht (waardoor kortsluiting kan ontstaan)</p> <p>Gebruik elektrische gereedschappen en machines nooit in de buurt van ontvlambare vloeistoffen en gassen (explosiegevaar)</p> <p>Controleer de kabel regelmatig op schade</p> <p>Gebruik de kabel niet om de machine te dragen of om het werkstuk vast te zetten.</p> <p>Bescherm de kabel tegen hitte, olie en scherpe randen</p> <p>Vermijd lichamelijk contact met gearde</p>
	<p>Verwijder voor aanvang van de werkzaamheden alle spijkers en andere vreemde voorwerpen uit het werkstuk.</p> <p>Houd alle machines die niet worden gebruikt buiten bereik van kinderen.</p>
	<p>Dit product heeft beschermingsklasse III.</p>
	<p>FCC-verklaring: Dit apparaat voldoet aan Deel 15 van de FCC-regels. De werking is onderworpen aan de volgende twee voorwaarden: (1)</p>

	Dit apparaat mag geen schadelijke interferentie veroorzaken, en (2) dit apparaat moet alle ontvangen interferentie accepteren, inclusief interferentie die ongewenste werking kan veroorzaken.
	<p>Informatie over verwijdering:</p> <p>Dit product is onderworpen aan de bepalingen van de Europese richtlijn 2012/19/EG. Het symbool met een doorgestreepte afvalbak geeft aan dat het product in de Europese Unie gescheiden afvalinzameling vereist. Dit geldt voor het product en alle accessoires die met dit symbool zijn gemarkeerd. Producten die als zodanig zijn gemarkeerd, mogen niet met het normale huishoudelijke afval worden weggegooid, maar moeten worden ingeleverd bij een inzamelpunt voor recycling van elektrische en elektronische apparaten</p>



WAARSCHUWING : Lees alle veiligheidswaarschuwingen, instructies, illustraties en specificaties die bij deze machine zijn geleverd. Het niet opvolgen van alle hieronder vermelde instructies kan leiden tot elektrische schokken, brand en/of ernstig letsel.


Bewaar alle waarschuwingen en instructies voor toekomstig gebruik.

1. De machine moet worden gebruikt door ervaren personeel. Als u niet bekend bent met het bedieningsproces van de draaibank, gebruik de machine dan niet naar believen . Gebruik de instructies voordat u hem bedient.
2. Voordat u de machine start, moet de veiligheidskap op de juiste plaats zitten positie.
3. Controleer voor het starten van de machine of de sleutel voor de gereedschapshouder en de klauwplaat zijn verwijderd.
4. Voorkom dat de machine per ongeluk start. Schakel de motor uit voordat u het werkstuk of gereedschap vastklemt.
5. Forceer de snede niet. Snijd volgens de ingestelde snijsnelheid,

- snijdiepte en voedingssnelheid.
6. Gebruik de juiste gereedschappen. Gebruik het juiste gereedschap of werkstuk voor het bewerken.
 7. Houd het gereedschap scherp en schoon om een normale en veilige werking te garanderen. Smeer en vervang accessoires regelmatig.
 8. Voordat u de machine gaat afstellen of repareren, moet u de stroomtoevoer loskoppelen.
 9. Controleer de veiligheidsprestaties van de machine voordat u deze start. Controleer de prestaties van alle bewegende delen. Alle delen moeten geïnstalleerd zijn correct. Beschadigde onderdelen moeten snel worden gerepareerd.
 10. Zolang de machine draait, mag de bediener de machine niet verlaten.
 11. Houd de werkplek schoon, een vuile werkomgeving is een risico op ongelukken.
 12. Gebruik de machine niet in een gevaarlijke omgeving.
Werk niet op vochtige plekken. Zorg dat elektrische componenten beschermd zijn tegen vocht. Zorg voor goede verlichting.
 13. Kinderen mogen de werkplek niet betreden en niet-bedienend personeel dient op veilige afstand van de werkplek te blijven.
 14. Om kinderen uit de werkruimte te houden. De deur moet op slot zijn bij het verlaten van de werkplaats.
 15. Kleeft u gepast. Draag geen losse kleding, handschoenen, dassen, ringen, armbanden, sieraden, etc. Om aan de veilige kant te blijven, draag voor de veiligheid antislipschoenen. Als u lang haar hebt, draag dan een werkmuts.
 16. Draag een veiligheidsbril tijdens het gebruik.
 17. Let goed op waar u staat en bewaar te allen tijde uw evenwicht.
 18. Plaats uw handen niet in de buurt van de bewegende delen van de machine.
 19. Voer geen instellingen uit terwijl de machine draait.
 20. Lees en begrijp alle waarschuwingsborden die op de machine zijn aangebracht.
 21. Deze handleiding is uitsluitend bedoeld om klanten vertrouwd te maken met de bediening van de machine en is geen opleidingshandleiding.

22. Volg deze waarschuwingen op, anders kan er ernstig letsel optreden.
23. De machine zal schadelijke chemicaliën produceren bij het werk van stof, zagen, slijpen en boren die door het slijpen worden geproduceerd. Om de schade van deze chemicaliën te verminderen, werk dan in een goed geventileerde ruimte en draag veiligheidsvoorzieningen. Zoals deeltjesfiltermaskers.

Overige risicofactoren

	WAARSCHUWING
	<ul style="list-style-type: none">● Het is belangrijk om ervoor te zorgen dat elke machine nog steeds risico's heeft.● Bij de uitvoering van alle werkzaamheden (zelfs de eenvoudigste) is de grootste aandacht vereist. Veilig werken hangt van u af!

Zelfs als de machine wordt gebruikt zoals vereist, is het nog steeds onmogelijk om bepaalde resterende risicofactoren volledig te elimineren. De volgende gevaren kunnen ontstaan in verband met de constructie en het ontwerp van de machine:

- Gevaar voor letsel aan handen/vingers door het roterende werkstuk tijdens het gebruik.
- Gevaar voor letsel door scherpe randen van het werkstuk, vooral bij niet met een geschikt gereedschap/apparaat vastgezet werkstuk.
- Gevaar voor letsel: haren en losse kleding e.d. kunnen worden gegrepen en opgerold! Veiligheidsvoorschriften met betrekking tot kleding moeten in acht worden genomen.
- Gevaar voor letsel door contact met onder spanning staande elektrische componenten.
- Gevaar voor letsel door stofemissies, met schadelijke stoffen behandelde werkstukken

- Gevaar voor oogletsel door rondvliegend puin, zelfs met een veiligheidsbril.
- Risico op gehoorbeschadiging bij langdurig werken zonder gehoorbescherming.

Terugslag is een plotselinge reactie. Dit zorgt ervoor dat het gereedschap in de richting van de gebruiker wordt uitgeworpen.

Deze risicofactoren kunnen worden geminimaliseerd door het naleven van alle veiligheids- en bedieningsinstructies, het correct onderhouden van de machine en het vakkundig en op de juiste manier bedienen ervan door personen met technische kennis en ervaring.

TECHNICAL PARAMETER

Spanning	230V / 50Hz	110V / 60Hz
Motorvermogen	350W	
Spiltoerentallen	885/1245/1715/2425 tpm	
Maximale draaidiameter	Ø 350mm	
S- spindeldiameter	Ø22	

Spindel draad	M18
Afstand tussen centra	970mm
Tailostock spindelverplaatsing	10mm
Conus in staartstuk spindel	MT1
Gewicht	NW: 23 kg; GW: 28,2 kg
Pakketgrootte	1545×300×435mm

De algemene informatie in deze specificatie is niet bindend.

Maak kennis met uw houtdraaibank : (Fig. 1)

1. AAN/UIT-SCHAKELAAR

Apparaat om de stroom van een houtdraaibank in of uit te schakelen.

2. RIEM- EN POELIE-AFDEKKING

Deksel voor riem en poelie. Open dit deksel om de riem en poelie te bereiken bij het veranderen van de snelheid van het aandrijfcentrum.

3. DRIVECENTRUM

Houdt het werkstuk vast voor draaiwerkzaamheden.

4. BEDRAILS

Rails voor het verplaatsen van de losse kop en de beitelhouder.

5. GEREEDSCHAPSHOUDER

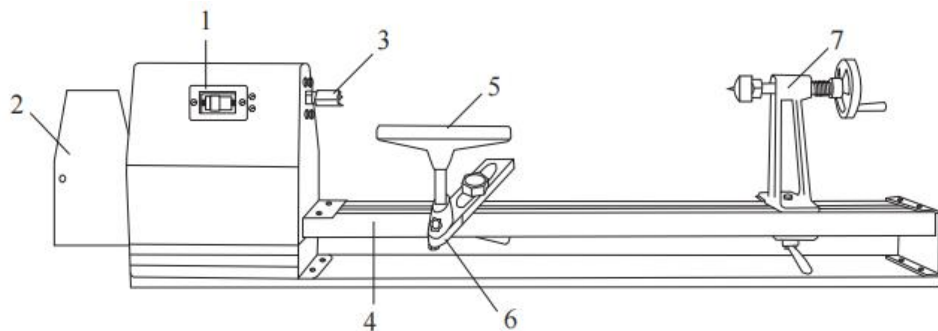
Het onderstel houdt het gereedschap vast tijdens het draaien van het werkstuk.

6. VERGREDELKNOP VOOR GEREEDSCHAPSHOUDER

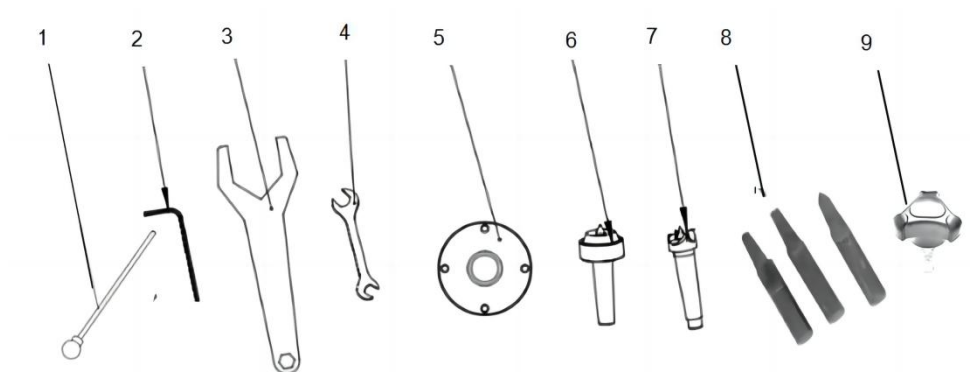
Vergrendelknop voor hoogteverstelling van de gereedschapshouder.

7. MONTAGE VAN DE Staartkop

Werkt met aandrijfcentrum om werkstuk vast te houden voor draaiwerkzaamheden



Standaard accessoires



ONDERDEELNR.	BESCHRIJVING	Hoeveelheid
1	Staaft injectie	1
2	Inbussleutel S3	1
3	Moersleutel	1
4	Vorksleutel	1
5	Frontplaat	1
6	Levend centrum	1
7	Spoorcentrum	1
8	Draibank gereedschapssteen	3
9	Kunststof handvat	1

INTENDED USE

De machine mag alleen worden gebruikt voor het beoogde doel! Elk ander gebruik wordt beschouwd als een geval van misbruik.

Om de machine correct te kunnen gebruiken, moet u bovendien alle veiligheidsvoorschriften, de montage-instructies en de bedienings- en onderhoudsinstructies in deze handleiding in acht nemen en naleven.

Iedereen die de machine gebruikt en onderhoudt, moet bekend zijn met deze handleiding en geïnformeerd zijn over de mogelijke gevaren van de machine.

Het is ook van groot belang dat u de in uw regio geldende ongevallenpreventievoorschriften naleeft.

Hetzelfde geldt voor de algemene regels voor gezondheid en veiligheid op het werk.

De machine wordt gebruikt voor: Het draaien van hout.

Elke manipulatie van de machine of onderdelen ervan wordt beschouwd als misbruik. In dit geval kunnen de verkooppartners niet aansprakelijk worden gesteld voor ENIGE directe of indirecte schade. Zelfs als de machine wordt gebruikt zoals voorgeschreven, is het nog steeds onmogelijk om bepaalde resterende risicofactoren uit te sluiten.



WAARSCHUWING

- **Gebruik de machine nooit met een defecte of niet gemonteerde beschermkap!**
- **Het verwijderen of wijzigen van de veiligheidscomponenten kan schade aan de apparatuur en ernstig letsel tot gevolg hebben!**

HOOGSTE RISICO OP LETSEL!

Omgevingsomstandigheden

De machine kan worden bediend:

Vochtigheid	Maximaal 70%
Temperatuur	+5°C tot +40°C (+41°F tot +104°F)

De machine mag niet buiten of in natte of vochtige ruimtes worden gebruikt.

De machine mag niet worden gebruikt in ruimtes waar een verhoogd brand- of explosiegevaar bestaat.

Verboden gebruik

Het is verboden de machine te gebruiken buiten de in deze handleiding beschreven technische grenzen.

Het is verboden de machinefunctie te bedienen zonder noodstopknop of waaierkast met open deuren.

Het is verboden de machine te gebruiken indien deze niet aan de vereiste afmetingen voldoet.

Het gebruik van de machine is verboden omdat deze niet geschikt is voor het gebruik van de machine en niet gecertificeerd is.

Het is verboden de machine te gebruiken voor andere doeleinden dan beschreven in deze gebruikershandleiding.

Het is verboden om zonder toezicht aan de machine te werken tijdens het werkproces!

Het is niet toegestaan om tijdens de werkzaamheden de directe werkruimte te verlaten.

UNPACKING AND CLEANING

1. Haal de houtbewerkingsdraaibank uit de doos
2. Controleer alle accessoires van de machine volgens de paklijst.
3. Kies een locatie voor de draaibank die droog is, goed verlicht is en voldoende ruimte biedt om de draaibank aan alle vier de zijden te kunnen onderhouden.
4. Om te voorkomen dat het bed verdraait, moet de locatie van de draaibank absoluut vlak en waterpas zijn. Schroef de draaibank vast aan de standaard (indien gebruikt).
5. Reinig alle roestbeschermde oppervlakken met een mild commercieel oplosmiddel, kerosine of dieselbrandstof. Gebruik geen verfverdunder, benzine of lakverdunder. Deze beschadigen geverfde oppervlakken. Bedek alle gereinigde oppervlakken met een dunne laag 20W machineolie.

ASSEMBLY

Leveringsinhoud

Controleer de inhoud van het product direct na ontvangst op eventuele transportschade of ontbrekende onderdelen. Claims van transportschade of ontbrekende onderdelen moeten direct na de eerste ontvangst van de machine en het uitpakken worden ingediend voordat de machine in gebruik wordt genomen. Begrijp alstublieft dat latere claims niet meer kunnen worden geaccepteerd.

Vereisten voor de werkplek

De werkplek moet aan de eisen voldoen.

De grond moet egaal, vlak en hard zijn. Het moet geschikt zijn om het minstens te verzwaren met het dubbele gewicht per vierkante meter dan het nettogewicht van de machine.

De gekozen werkplek moet beschikken over een geschikt elektriciteitsnet dat voldoet aan de eisen van de machine.

Vervoer

De machine kan als pakket met een vorkheftruck worden vervoerd.

De machine is erg zwaar. De machine mag alleen met een geschikt hefwerktuig uit de krat worden getild dat gecertificeerd is om de lading van de machine te kunnen dragen.



WAARSCHUWING

Het heffen en transporteren van de machine mag uitsluitend door gekwalificeerd personeel en met de juiste apparatuur worden uitgevoerd .

Vorbereiding van het oppervlak

Ongecoate metalen machineonderdelen zijn geïsoleerd met een vetlaag om corrosie te voorkomen.

Deze laag moet verwijderd worden. U kunt standaard oplosmiddelen gebruiken die het machineoppervlak niet beschadigen.



KENNISGEVING

- Gebruik geen oplosmiddelen op basis van nitriet, agressieve oplosmiddelen zoals reinigers of schuurmiddelen!
- Deze beschadigen het oppervlak van de machine.

Stroomvoorziening



AANDACHT

Bij het werken met niet-geaarde machines:

Door elektrocutie kunnen ernstige verwondingen of zelfs de dood ontstaan!

Daarom : De machine moet worden bediend via een geaard stopcontact

De aansluiting van de machine op het elektriciteitsnet en de daaropvolgende controles mogen uitsluitend door een daartoe opgeleide elektricien worden uitgevoerd.

- aw. De elektronische aansluiting van het apparaat is bedoeld voor gebruik met een geaard stopcontact!
- ax. De netvoeding moet beveiligd zijn met 16A:
- ay. Als de stekker niet past of defect is, mag alleen een gekwalificeerde elektricien deze aanpassen of vervangen!
- az. De aardingsdraad moet groen-geel zijn.
- ba. Een beschadigde kabel moet onmiddellijk vervangen worden!
- bb. Controleer of de voedingsspanning en de Hz voldoen aan de vereiste waarden van de machine. Een afwijking van de voedingsspanning van $\pm 5\%$ is toegestaan.
- bc. Controleer na het aansluiten de juiste looprichting!
- bd. Zorg ervoor dat een eventueel verlengsnoer in goede staat is en geschikt is voor de overdracht van stroom. Een te klein snoer vermindert de overdracht van stroom en warmt op.

OPERATING ADJUSTMENTS

AANPASSEN VAN DE RIEMSPANNING

De draaibank is gevuld met een gemonteerde riem. Deze moet echter worden afgesteld voordat deze kan worden gebruikt.

1. Koppel de draaibank los van de stroombron.
2. Draai de zeskantbout los en verwijder deze met een verstelbare sleutel. (zoals afbeelding 1)
3. Druk met de hand op de band. De band zou 1/2" moeten bewegen als deze goed is afgesteld. (zoals in afbeelding 2)

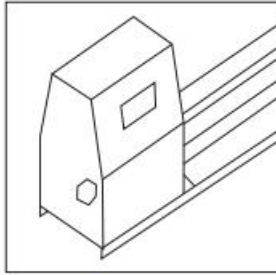


Figure 1

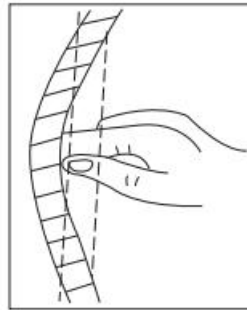


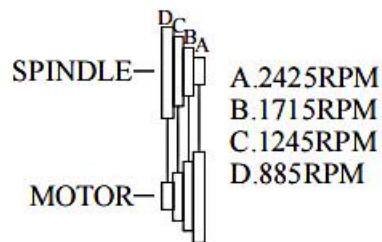
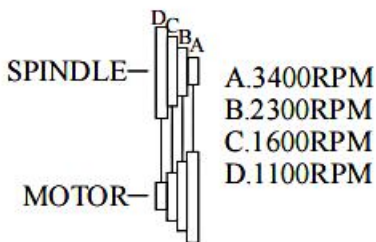
Figure 2

SNELHEID AANPASSEN

vier spijlsnelheden van 1100, 1600, 2300 en 3400 RPM (885 , 1245 , 1715 , 2425) beschikbaar op de draibank. Grafiek 1 illustreert welke ster van de trekkers de riem moet worden geplaatst om vier snelheden te verkrijgen.

Grafiek 2 illustreert de juiste snelheden voor het werkstuk.

GRAFIEK-1

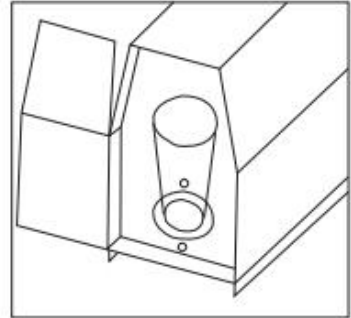


GRAFIEK-2

Roughing off	General cutting	Fine cutting	Finishing
1100RPM	1600RPM	2300RPM	3400RPM
885RPM	1245RPM	1715RPM	2425RPM

31. Koppel de draaibank los van de stroombron.
32. Open het deksel van de riem en de poelie.
33. Maak de motorpoelie los door de bouten los te draaien met een verstelbare sleutel (zoals afgebeeld)
34. Plaats de V-riem in de juiste positie voor de gewenste snelheid.
35. Stel de V-riem in op de juiste spanning en span de motorpoelie aan.

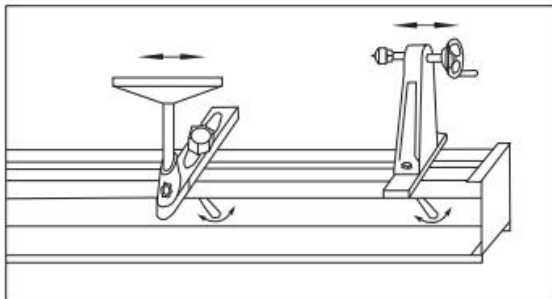
OPMERKING: Voor de juiste riemspanning drukt u met de hand op de riem. De riem moet 1/2" bewegen als deze goed is afgesteld.



MONTAGE VAN BEWEGENDE ACHTERKOP EN GEREEDSCHAPSHOUDER

De losse kop en de beitelhouder worden met een vergrendelingshendel direct onder de bedrails aan het bed vastgehouden. Om ze naar een nieuwe positie te verplaatsen:

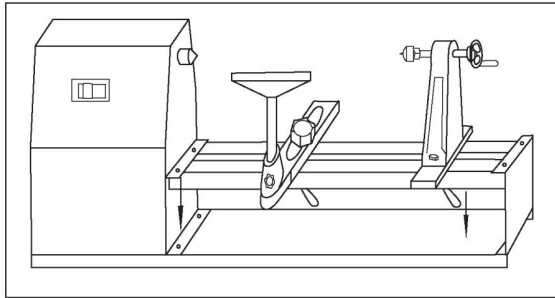
1. Koppel de draaibank los van de stroombron.
2. Draai de vergrendelingshendel met de knop los.
3. Schuif de losse kop of de gereedschapshouder over het bed en draai de vergrendelingshendel weer vast. (zoals afgebeeld)



MONTAGE VAN DE DRAAIBANK

De draaibank moet op een stevig steunvlak worden gemonteerd, zoals een standaard of werkbank tijdens het bedienen. Om draaibank te monteren:

1. Koppel de draaibank los van de stroombron.
2. Bepaal de plaats en markeer waar de draaibank moet worden gemonteerd (zoals afgebeeld)
3. Boor vier (4) gaten met een diameter van 5/16" door de werkbank.
4. Plaats de draaibank op de werkbank en zorg dat de gaten in het bed overeenkomen met de gaten die erin zijn geboord.
werkbank.
5. Plaats de vier bouten (apart verkrijgbaar) en draai ze vast.



VERWIJDEREN VAN DE SPIL VAN DE LOSSE KOP

Om de spindel van de losse kop uit de losse kop te verwijderen:

1. Koppel de draaibank los van de stroombron.
2. Verwijder het handwiel door de stelschroef los te draaien met een 1/8" inbussleutel, weg van de spindel (zoals afgebeeld in figuur 1).
3. Schroef de spindel van de losse kop los van de losse kop (zoals afgebeeld in afbeelding 2).

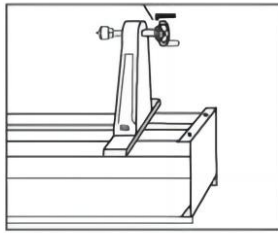


Figure 1

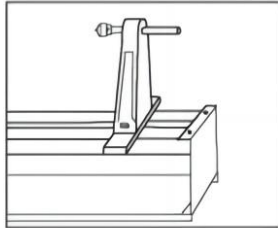
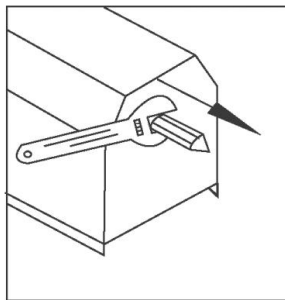


Figure 2

VERWIJDEREN VAN DRIVE CENTER

Het aandrijfmateriaalcentrum moet worden verwijderd om het aan het materiaal te bevestigen bij het draaien van de spindel. Het moet ook worden verwijderd bij het bevestigen van de frontplaat voor het draaien van de frontplaat. Om het aandrijfmateriaalcentrum van de aandrijfspindel te verwijderen:

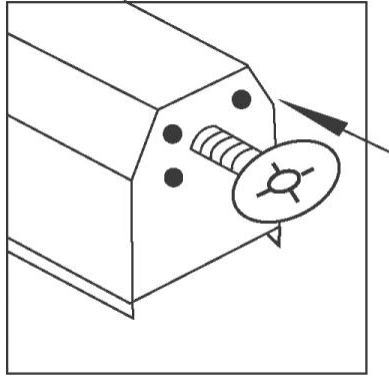
1. Koppel de draaibank los van de stroombron.
2. Gebruik de sleutel om de platte nek van de aandrijfspindel vast te houden. Draai vervolgens het aandrijfcentrum tegengesteld aan de as los (zoals afgebeeld).



FACEPLAAT INSTALLEREN

De frontplaat wordt meegeleverd met uw draaibank. Om de frontplaat te installeren:

1. Koppel de draaibank los van de stroombron.
2. Verwijder het aandrijfcentrum van de aandrijfspindel.
3. Lijn het middelste gat van de frontplaat uit met de schroefdraad van de spindel (zoals afgebeeld).
4. Schroef het frontpaneel in de spindel.



CENTRA UITLIJNEN

Als de centra niet op de lijnen staan, voer dan de volgende aanpassingen uit:

1. Verplaats de losse kopconstructie dicht bij de aandrijfmiddenconstructie (zoals in afbeelding 1).
2. Vergrendel de losse kop.
3. Draai de vier zeskantbouten rond het aandrijfcentrum los (zoals in afbeelding 2).
4. Draai het aandrijfcentrum zo dat de twee centra op één lijn liggen en draai vervolgens de bouten vast.

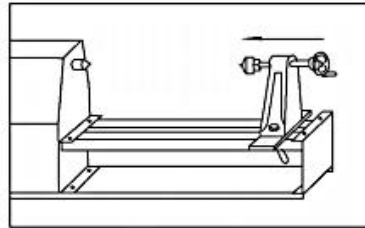


Figure 1

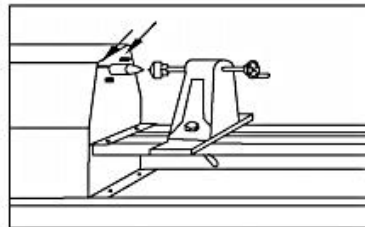


Figure 2

OPERATION

Apparaat mag alleen in perfecte staat worden gebruikt. Controleer het apparaat visueel elke keer dat het wordt gebruikt. Controleer met name de veiligheidsuitrusting, elektrische bedieningen, elektrische kabels en schroefverbindingen op schade en of ze goed zijn vastgedraaid. Vervang beschadigde onderdelen voordat u het apparaat gebruikt.

SPINDEL DRAAIEN

De volgende instructie geeft een beginner een start met houtdraaibankbewerking. Gebruik een stuk hout om de instelling te controleren en om gevoel te krijgen voor de bewerkingen voordat u aan het normale werk begint.

WAARSCHUWING Houd uw handen altijd uit de buurt van het aandrijfcentrum of het frontpaneel wanneer de stroom is ingeschakeld.

1. Kies een stuk hout.
2. Teken diagonale lijnen op de kop om het midden te vinden. (zoals in figuur 1)
3. Maak aan het uiteinde een zaagsnede van ongeveer 1/16" diep op elke diagonale lijn. Dit is voor het aandrijfcentrum. Hiervoor is een mini-ijzerzaag handig. De andere uiteinde is voor het midden van de losse kop.
4. Gebruik een houten (rubberen) hamer of een kunststof hamer en sla het midden van de losse kop in het hout. Verwijder het midden van de losse kop (zoals afgebeeld in afbeelding 2).
5. Sla het aandrijfcentrum in het andere uiteinde van het hout. Zorg ervoor dat de sporen in de zaagsneden zitten. Verwijder het aandrijfcentrum.
6. Reinig de centers, de draad van de aandrijfspindel en het draadgat van het losse koplichaam. Installeer het aandrijfcentrum in de aandrijfspindel en het losse kopcentrum in het losse koplichaam.
7. Plaats het hout tussen de centra en vergrendel de losse kop.
8. Beweeg het midden van de losse kop in het hout door aan het handwiel

- te draaien. Zorg ervoor dat het aandrijfcentrum en het aandrijfcentrum in het hout zitten in de gaten die in stap 4 en 5 zijn gemaakt. Draai het hout met de hand terwijl u aan het handwiel draait.
9. Stel de gereedschapshouder ongeveer $1/8''$ van de hoeken van het hout en $1/8''$ boven de middellijn af. Vergrendel de gereedschapshouderbasis en de gereedschapshouder. (zoals afbeelding 3)
 10. Draai het hout met de hand rond om ervoor te zorgen dat de hoeken de beitelhouder niet raken.
 11. Bekijk de snelheidsinstelling die in de snelheidsselectietabel wordt voorgesteld.
 12. Pas regelmatig opnieuw aan zoals in stap 9, naarmate de diameter van de kolf kleiner wordt.

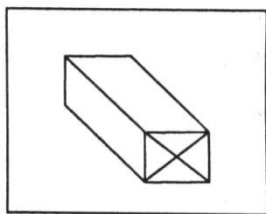


Figure 1

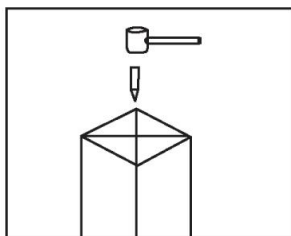


Figure 2

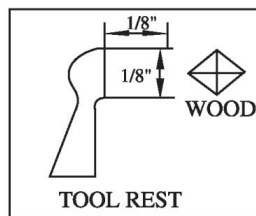


Figure 3

HANDPOSITIE

De positie van uw handen ten opzichte van het gereedschap wordt bepaald door de benodigde hefboomwerking.

De positie van de hand op de gereedschapssteun is normaal gesproken een greep met de handpalm omhoog. De eerste vinger fungeert als geleider en glijdt over de gereedschapssteun terwijl de snede wordt gemaakt. De greep met de handpalm omlaag kan worden gebruikt voor zware ruwbewerkingen. De onderkant van de hand of de pink fungeert als geleider.

HET RUWE MAKEN VAN EEN SPINDELCILINDER

Voor deze draaibewerking wordt de grote beitel gebruikt. Laat de draaibank voor deze bewerking op lage snelheid draaien. De snede moet

ongeveer 2" vanaf het uiteinde van de losse kop beginnen en zal doorlopen naar het uiteinde van de losse kop. Elke overeenkomstige snede vindt plaats ongeveer 3" aan de linkerkant van de eerste snede. Dit gaat door totdat u een positie bereikt op 2" van het midden van de kop. Vervolgens rolt u de beitel in de tegenovergestelde richting, waardoor de snede naar het einde van de spindel wordt gebracht.

HOE GEBRUIK JE EEN SCHEIDINGSGEREEDSCHAP?

Het scheidingsgereedschap heeft één hoofddoel: recht in het werkstuk snijden, zo diep als gewenst of helemaal door om een snede te maken. Het is daarom een zeer smal gereedschap (1/8 inch breed) en is gevormd om zijn eigen speling te snijden, zodat de rand niet verbrandt. Wanneer het wordt gebruikt om te schrapen,

Echter, Het is belangrijk om het regelmatig los te koppelen om oververhitting te voorkomen.

In tegenstelling tot de guts- en schuine snede wordt het steekgereedschap zelden met de schuine kant tegen het werkstuk gehouden. Omdat de hoeveelheid verwijderde voorraad klein is, een ondersteuning voor de afschuining is niet nodig. Het gereedschap wordt eenvoudig onder een hoek in het werkstuk gevoerd (om te snijden), of gericht op het midden van het werkstuk (om te schrapen).

HOE GEBRUIK JE EEN SCHEEF

Dit gereedschap wordt vrijwel altijd gebruikt om afgewerkte sneden te maken, V-vormige stukken en kralen te snijden of om schouders recht te maken. Als het goed gebruikt wordt, levert het de beste afwerking op die met een beitel bereikt kan worden.

Het mag maar heel weinig gebruikt worden om te schrapen, omdat dit het snel dof maakt.

Voor het afwerken van het snijwerk, de scheefstand wordt met de snijkant aanzienlijk vóór het handvat gehouden, schuine kant naar beneden. Houd de scheefheid goed boven het werk, trek het terug totdat de rand begint te snijden, Draai vervolgens de hendel in de gewenste positie om de snede te bevorderen. Zowel de teen als de hiel van de schuine zaag kunnen

gebruikt worden voor het nemen van lichte sneden. Dring niet te diep in het hout zonder te zagen ontruiming, omdat er gevaar bestaat dat de punt van het gereedschap verbrandt.

EEN SCHOUDER SNIJDEN

Een schouder kan de zijkant zijn van een vierkant gedeelte dat in het werkstuk is overgebleven, de zijkant van een gedraaid gedeelte, of het einde van het werkstuk. De meeste schouders staan loodrecht op de werkstuk, maar een schouder kan in elke hoek staan.

Eerst, Markeer de positie van de schouder met een potlood dat tegen een draaiend werkstuk wordt gehouden. Maak vervolgens een snede met behulp van het scheidingsgereedschap, waarbij u de snede ongeveer 1/16 inch buiten de schouderpositie plaatst. Snijd tot binnen 1/8" van de gewenste diepte voor het gebied buiten de schouder. Als de schouder ondiep is, de punt van de schuine kant kan worden gebruikt om de maatsnede te maken. Ga niet dieper dan 1/8" met de schuine kant, tenzij er bredere V-vormen worden gesneden om ruimte te creëren voor het gereedschap.

Gebruik de beitel om overtollige voorraad buiten de schouder te verwijderen. Maak het gedeelte glad tot 1/8" van de schouder. Tenzij het hoger is dan 1" het beste is om dit te doen met de 1/2" schuine kant. Eerst, Gebruik de punt van de schuine kant om de krullen van de zijkant van de schouder te verwijderen tot aan de gewenste maat. Houd de schuine kant zo vast dat de onderste rand van de afschuining naast de schouder bijna parallel loopt aan de zijkant van de schouder. Zorg ervoor dat dit gebeurt met de snijkant naar boven toe weggedraaid, zodat alleen de uiterste punt snijdt. Als de snijkant plat tegen de schouder ligt, zal de beitel gaan draaien. Begin met de hendel laag en til deze vervolgens op om de teen in het werk te brengen. Zaag tot de voltooide diameter van het buitengebied, maak dan de hoek schoon door vooruit te gaan de hiel van de schuine kant erin langs het oppervlak van het buitengebied. Kantel de snijkant, met de hendel omhoog, zodat alleen de uiterste hiel snijdt als de schouder aan het einde van het werk is, Dit proces wordt 'het einde

bepalen' genoemd. In dit geval, verklein het buitenste gedeelte tot een diameter van ongeveer 1/4" groter dan het gereedschapscentrum diameter. Zaag het afval later weg.

SNIJDEN VAN INHOEKEN

Markeer de randen met een potlood. Maak het vervolgens ruw tot ongeveer 1/8" van het gewenste afwerkingsoppervlak door te schrapen met de beitel of ronde beitel. Als de inham erg breed moet zijn, kunnen er maatsneden worden gemaakt om de ruwe afwerking uit te zetten. Zodra het ruw is gemaakt, de inham kan in twee delen worden afgewerkt; één van elke kant tot onderaan in het midden.

Bij het begin van elke snede wordt de beitel met het handvat hoog vastgehouden en worden de twee zijden van het blad tussen de duim en wijsvinger van de handgreep van de beitelsteun vastgehouden. net achter de afschuining. Plaats de vingers klaar om het blad in de uitsparing te rollen. Houd het blad zo vast dat de afschuining een hoek van 90 graden maakt met de werkas, met de punt de potloodlijn rakend en wijzend naar de werkas.

Vanaf dit begin, Druk de punt lichtjes in om te beginnen met snijden en beweeg de punt vervolgens naar beneden in de richting van de onderste middelste inham. Beweeg tegelijkertijd de beitel gelijkmatig, zodat aan het einde van de snede, het zal vlak zijn aan de onderkant van de baai. Het doel is om de uiterste punt van de beitel vast te houden en van begin tot eind te snijden. Om de andere kant te snijden, moet u de bewegingen omkeren.

SNIJDEN VAN VEREN

V-groeven kunnen worden gesneden met de teen of de hiel van de schuine kant. Wanneer de teen wordt gebruikt, de snijhandeling is precies hetzelfde als bij het trimmen van een schouder, behalve dat de scheefstand naar

snijd op de gewenste afschuining. Lichte sneden moeten eerst aan één kant worden gemaakt, dan de andere, geleidelijk de V vergroten tot de gewenste diepte en breedte.

Wanneer de hiel wordt gebruikt, wordt de schuine kant naar beneden in het werkstuk gedraaid, waarbij de beitelhouder als draaipunt wordt gebruikt. Anders, De snijpositie en de volgorde van de sneden zijn hetzelfde. Net als bij het gebruik van de teen, Het is belangrijk dat er alleen met het uiterste uiteinde van de snijkant wordt gesneden. Als er diepe V-sleuven worden gepland, Het is sneller om ze te starten door een snede te maken in het midden van elke V. De vinnen kunnen ook worden geschraapt met een speerpuntbeitel of een driekantige vijl.

HET PROJECT UITLEGGEN

Maak eerst een lay-out, zodat u een visueel patroon hebt dat u kunt volgen tijdens het draaien. Het patroon kan op dezelfde manier worden uitgelegd als spindelpatronen. U kunt sjablonen tegen het werkstuk houden voor visuele vergelijking. Cirkels om de verschillende kritieke punten te lokaliseren kunnen snel op de roterend werk door gebruik te maken van de verdelers.

HET PROJECT OMDRAAIEN

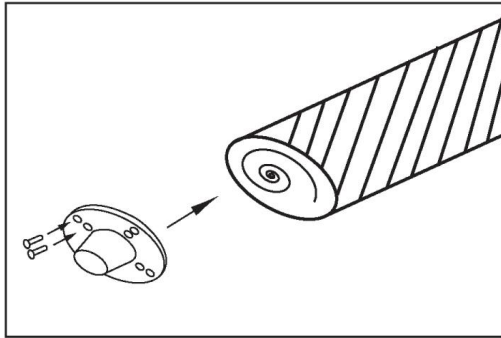
De eerste stap is om zoveel mogelijk hout te verwijderen door met de grootste beschikbare houtboor in het midden te boren. Meet vooraf nauwkeurig de diepte op die u met de boor kunt bereiken.

Volgende, Verwijder het grootste deel van het afval door te schrapen met de ronde schraper of de kombeitel.

Verwijder op deze manier tot 1/8" van de afgewerkte maat. Werk de binnenomtrek af door met de ronde neus of de ronde neus te schrapen. schraper. Maak de bodem van de uitsparing glad door deze met een platte schraper glad te schrapen. Probeer altijd het deel van de gereedschapshouder dat het gereedschap ondersteunt zo dicht mogelijk bij het werkoppervlak te plaatsen.

MONTAGE VAN HET WERKSTUK AAN DE FACEPLAAT

U kunt de frontplaat rechtstreeks op het werkstuk monteren door er vier (of acht) aan te bevestigen houtschroeven (apart verkrijgbaar). Dit is een eenvoudig proces dat u, indien mogelijk, moet gebruiken.




WAARSCHUWING


Zorg er altijd voor dat het werkstuk stevig vastzit aan de frontplaat of tussen de centers. Wanneer de frontplaat draait, zorg er dan altijd voor dat de schroefbevestigingen niet in contact komen met het draaigereedschap terwijl het werk vordert.

FACEPLAAT DRAAIEN

Draaien die niet tussen de centers gemonteerd worden, vereisen een frontplaat voor het werkstuk vasthouden. Alle werkstukken van dit type moeten iets groter zijn om ruwe sneden en trillingen te elimineren.

Gebruiksaanwijzing

	AANDACHT
	Schakel de machine nooit in terwijl u de beitel tegen het materiaal drukt!

	KENNISGEVING
	<ul style="list-style-type: none">● Controleer voordat u de machine inschakelt of de gereedschapshouder stevig vastzit.● Draai het ingeklemde werkstuk elke keer rond voordat u het met de hand draait, om er zeker van te zijn dat het werkstuk soepel loopt en het andere gereedschap niet raakt!● Controleer daarbij ook of het werkstuk gecentreerd is en goed vastgeklemd!● Zorg ervoor dat u de beitel tijdens het bewerken met beide handen stevig en veilig vasthoudt!● Werk alleen met goed geslepen gereedschap!● Bewerk grote en ongebalanceerde werkstukken alleen met een laag spindeltoerental!● De specificaties met betrekking tot de maximale of minimale afmetingen van het werkstuk moeten in acht worden genomen!● Werkstukken met scheuren mogen niet worden gebruikt!● Verwerk uitsluitend geselecteerde houtsoorten zonder gebreken!

Bediening

Aan-uitschakelaar


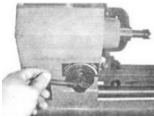
Inschakelen: Druk 2 seconden op de groene knop ("I"). De machine begint te draaien.

Uitschakelen: Druk op de rode knop ("0").


De machine stopt niet onmiddellijk! Blijf zo lang bij de machine, totdat het werkstuk volledig is gestopt (Stop het werkstuk niet met de hand!)

Snelheidsaanpassing



Door aan de snelheidsregelhendel te draaien, kan de snelheid traploos worden ingesteld.

	KENNISGEVING	
	U moet de hendel naar de laagste snelheidsstand zetten voordat u de schakelaar omdraait AAN/UIT, anders start de motor mogelijk niet!	

Gereedschapshouder

	KENNISGEVING
	De beitelsteun moet zo dicht mogelijk bij het werkstuk worden geplaatst! Hoogteverstelling net onder de middenlijn van het werkstuk. Draai het werkstuk met de hand rond en controleer of het werkstuk vrij kan draaien voordat u het draait!

MAINTENANCE

AANDACHT		
	<p>Voer alle onderhoudsinstellingen van de machine uit terwijl de machine is losgekoppeld van de stroomvoorziening!</p> <p>Ernstig letsel door onbedoelde of automatische activering van de machine!</p>	

De machine heeft geen uitgebreid onderhoud nodig. Als er storingen en defecten optreden, laat deze dan alleen onderhouden door getrainde personen.

Vóór de eerste ingebruikname en daarna na iedere 100 bedrijfsuren dient u alle verbindingdelen te smeren (indien nodig vooraf alle spanen en stof met een borstel verwijderen).

Controleer regelmatig de staat van de beveiligingsstickers. Vervang ze indien nodig.

Controleer regelmatig de staat van de machine.

Voor een soepele bandgeleiding en een zuivere snede is een goede staat en perfecte afstelling van de geleiderollen essentieel.

Bewaar de machine op een afgesloten, droge plaats.

KENNISGEVING

Maak uw machine regelmatig schoon na elk gebruik. Dit verlengt de levensduur van de machine en is een vereiste voor een veilige werkomgeving.

Reparaties mogen uitsluitend door vakmensen worden uitgevoerd!

Onderhoudsplan

Na elke werkdienst:

Reinig de machine en de onderdelen met een krachtige straal perslucht van houtstof en andere materiaalresten. Bewegende onderdelen kunnen ook worden gereinigd met een borstel of een zachte borstel. Breng een dunne laag smeerolie aan op alle bewegende onderdelen van de machine.


Na 50 bedrijfsuren

Controleer de V-snaren.

Bepaal voor gerafelde riemen oorzaak. Controleer of oneffen of ruwe oppervlakken en werden gebouwd op de V-snaar poelies. Vervang gerafelde of uitgerekte riemen!

Schoonmaak

Na elke werkshift moet de machine worden schoongemaakt. Verwijder spanen etc. met een geschikt gereedschap. Verwijder ze niet met de hand (snijwonden!). Verwijder ook stof.

KENNISGEVING	
	<p>Het gebruik van bepaalde oplossingen die ingrediënten bevatten die metalen oppervlakken beschadigen, evenals het gebruik van schuurmiddelen, beschadigen het oppervlak van de machine!</p> <p>Maak het oppervlak van de machine schoon met een vochtige doek gedrenkt in een milde oplossing.</p>

Beschikbaarheid

Gooi de machine niet bij het restafval. Neem contact op met uw lokale autoriteiten voor informatie over de beschikbare verwijderingsopties. Wanneer u bij uw lokale dealer een vervangende unit koopt, is deze verplicht uw oude unit te ruilen.

TROUBLE SHOOTING

VOORDAT U BEGINT MET HET VERHELPELEN VAN DE GEBREKEN, MOET U DE MACHINE LOSKOPPELEN VAN DE STROOMVOORZIENING .

Probleem	Mogelijke oorzaak	Oplossing
Luidruchtige werking	<ul style="list-style-type: none"> a. Onjuiste riemspanning b. Losse katrol c. Losse bilt d. Slechte lagers 	<ul style="list-style-type: none"> a. Pas de spanning aan b. Span de katrol c. Stel de riemspanning af d. Lager vervangen
Motor start niet	<ul style="list-style-type: none"> a. Stroomvoorziening b. Motoraansluiting c. Schakelverbindingen d. Motorwikkelingen verbrand e. Slechte schakelaar 	<ul style="list-style-type: none"> a. Controleer het netsnoer b. Controleer de motoraansluitingen c. Controleer de motoraansluitingen d. Motor vervangen e. Vervang schakelaar
Gereedschapshouder of losse kop moeilijk te verplaatsen	<ul style="list-style-type: none"> a. Smering nodig b. Gebogen bedekken c. Borgmoer vastgedraaid 	<ul style="list-style-type: none"> a. Smering met lichte olie b. Bedekken rechtzetten c. Draai de borgmoer los

VEEL POTENTIËLE FOUTBRONNEN KUNNEN WORDEN OPGELOST DOOR DE DESKUNDIGE AANSLUITING OP HET ELEKTRICITEITSNET.



KENNISGEVING

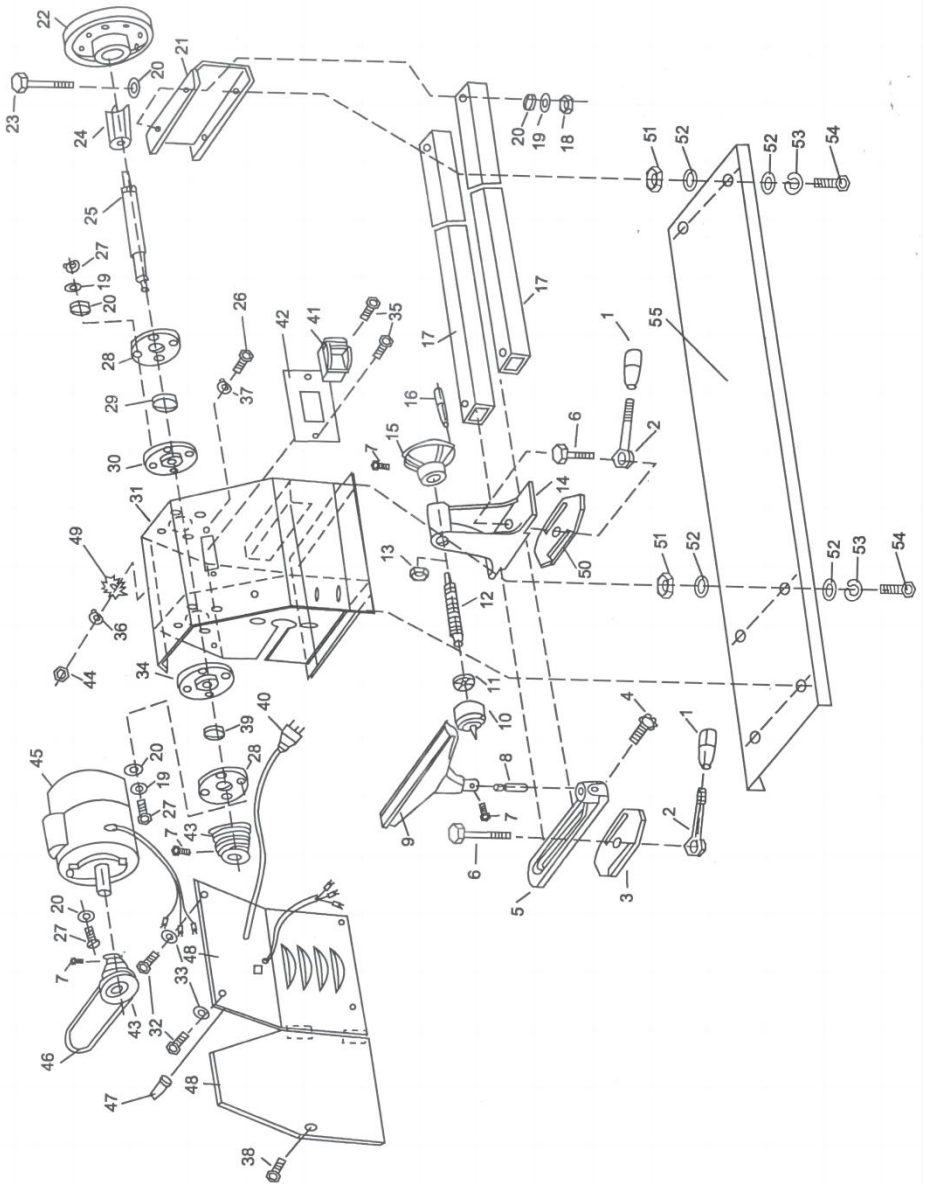
Mocht u de benodigde reparaties niet zelf kunnen uitvoeren of beschikt u niet over de voorgeschreven opleiding, schakel dan altijd een werkplaats in om het probleem te laten verhelpen.

EXPLOSIONSZEICHNUNG / EXPLOSION DRAWING

INHOUDSOPGA VE NR.	BESCHRIJVING	MAAT	Hoeveelheid
1	Vergrendelingshendelknop		2
2	Vergrendelingshendel		2
3	Klem		1
4	Vergrendelingsknop		1
5	Gereedschapshouder		1
6	Bout	(M14x70)	2
7	Bout	(M6x10)	4
8	Ondersteuningsbalk		1
9	Gereedschapshouder		1
10	Centrum		1
11	Handelswijze	6201	1
12	Staatstuk spindel		1
13	Schroef	(M18)	1
14	Staatstuk		1
15	Handwiel		1
16	Handwielstang		1
17	Bedhek		2

18	Moer	(M8)	4
19	Veerring	8	12
20	Wasmachine	8	18
21	Supporter		1
22	Frontplaat		1
23	Bout	(M8x55)	4
24	Aandrijfcentrum		1
25	Aandrijfspindel		1
26	Bout	(M4x10)	2
27	Schroef	(M8x16)	10
28	Lagerring		2
29	Handelswijze	6204	1
INHOUDSOPGA VE NR.	BESCHRIJVING	MAAT	Hoeveelheid
30	Bearing basis		1
31	Kastje		1
32	Bout	(M5x12)	4
33	Wasmachine	(5)	4
34	Lagerbasis		1
35	Vlek	(M4x12)	2
36	Veerring	(4)	2
37	Wasmachine	(4)	2
38	Bout	(M8x16)	1
39	Bzorgzaam	6203	1
40	Plug		1
41	Schakelaar		1
42	Schakelbord		1
43	Riemwiel		2
44	Moer	(M4)	2
45	Motor		1
46	Driehoeksriem	(0500)	1
47	Struik		1
48	Bclt en poeliedeksel		1

49	Beer wasmachine	(4)	2
50	Klem		1
51	Moer	(8)	6
52	Wasmachine	(8)	12
53	Veerring	(8)	6
54	Bout	(M8x20)	6
55	Bodemplaat		1



VEVOR[®]

TOUGH TOOLS, HALF PRICE

Technisch Ondersteuning en E-garantiecertificaat

www.vevor.com/support

VEVOR[®]

TOUGH TOOLS, HALF PRICE

Teknisk Support och e-garanticertifikat www.vevor.com/support

TRÄSVARV INSTRUKTIONSMANUAL

MODELL: MCS1000

We continue to be committed to provide you tools with competitive price.

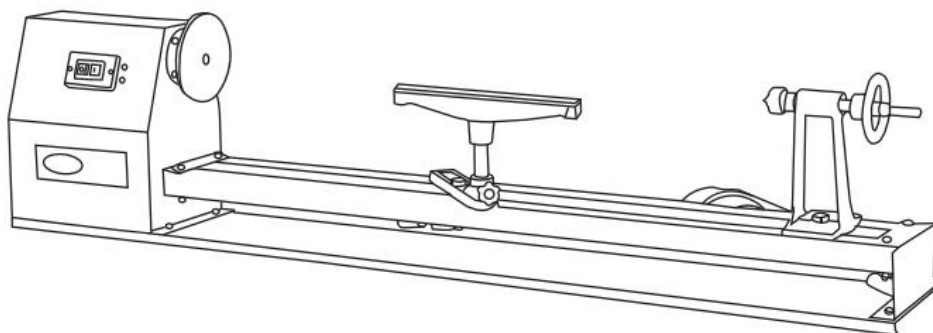
"Save Half", "Half Price" or any other similar expressions used by us only represents an estimate of savings you might benefit from buying certain tools with us compared to the major top brands and does not necessarily mean to cover all categories of tools offered by us. You are kindly reminded to verify carefully when you are placing an order with us if you are actually saving half in comparison with the top major brands.

VEVOR[®]

TOUGH TOOLS, HALF PRICE

WOOD LATHE

MODELL: MCS1000



NEED HELP? CONTACT US!

Have product questions? Need technical support? Please feel free to contact us:

Technical Support and E-Warranty Certificate
www.vevor.com/support

This is the original instruction, please read all manual instructions carefully before operating. VEVOR reserves a clear interpretation of our user manual. The appearance of the product shall be subject to the product you received. Please forgive us that we won't inform you again if there are any technology or software updates on our product.

MATTERS NEEDING ATTENTION

Informationen i denna handbok är avsedd som en vägledning för driften av dessa maskiner och ingår inte i något avtal. Uppgifterna som den innehåller har erhållits från maskintillverkaren och från andra källor. Vi strävar efter att säkerställa riktigheten av denna information och försöker verifiera varje artikel och varje data, men vi kan inte garantera den fulla riktigheten av informationen, vilket innebär att leveransen av utrustning kan skilja sig i detalj från beskrivningen av instruktionerna. Vidare kan utvecklingen av maskinen innebära att den levererade utrustningen kan skilja sig i detalj från beskrivningarna häri. Ansvaret ligger därför på användaren att försäkra sig om att den beskrivna utrustningen eller processen är lämplig för det avsedda ändamålet.




QUALITY ASSURANCE

Vi kommer att göra allt för att säkerställa kvaliteten på våra produkter, och vi lovar konsumenterna att vi kommer att garantera våra produkter i ett år, med undantag för maskinskador orsakade av felaktig användning av kunder och olyckor som uppstår därav, eller onormalt slitage och skador orsakade av bristande underhåll.



För att uppfylla garantiåtagandet, produkten eller delen med kvalitetsproblem, vänligen returnera till oss för verifiering, porto förbetalt. Varor som skickas tillbaka bör åtföljas av en notering om inköpsdatum och en skriftlig förklaring av produktens kvalitet. Efter vår inspektion och bekräftelse kommer vi att reparera eller byta ut deras produkter, eller återbetala betalningen; Om vi misslyckas med att tillhandahålla reparation eller utbyte i tid, ska vi stå för kostnaderna för reparation eller utbyte av produkterna; Om skadan inte beror på produktens kvalitet, utan på användarens felaktiga hantering eller andra skäl, ska kostnaden stå för kunden.

Vårt företag förbehåller sig rätten att göra ändringar i denna specifikation och produktspecifikationer. Vi kommer att göra kontinuerliga ansträngningar för att förbättra kvaliteten på våra produkter. Alla rättigheter reserverade. Reproduktion eller reproduktion är inte tillåten utan tillstånd.

SAFETY WARNING

Symbo l	Symbol Beskrivning
	Varning - För att minska risken för skada måste användaren läsa bruksanvisningen noggrant.
	Denna symbol, placerad före en säkerhetskommentar, indikerar en slags försiktighetsåtgärd, varning eller fara. Att ignorera denna varning kan leda till en olycka. För att minska risken för skada, brand eller elstöt, följ alltid rekommendationen nedan.
	<p>Överbelasta inte maskinen Ge bra stabilitet och håll balans hela tiden Undvik onormala arbetsställningar! Se till att stå rakt och hålla balansen hela tiden.</p> <p>Var alltid fokuserad när du arbetar. Minska distorsionskällor i din arbetsmiljö. Det är förbjudet att använda maskinen när du är trött, samt under påverkan av alkohol, droger eller koncentrationspåverkande läkemedel.</p> <p>Klättra inte upp på maskinen!</p> <p>Maskinen får endast användas av utbildad personal (kunskap och förståelse av denna manual), som inte har några begränsningar av motorik jämfört med konventionella arbetare. Låt inte andra personer, särskilt barn, röra vid maskinen eller kabeln. Håll dem borta från ditt arbetsområde.</p> <p>Gör din verkstad barnsäker.</p> <p>Se till att det inte finns någon i det farliga området. Minsta säkerhetsavstånd är 2m</p> <p>Bär lämplig arbetspropp</p>

	Fara! Risk för personskador eller miljöskador! Risk för elektriska stötar! Risk för personskada genom elektriska stötar!
	Växelström
	Ta aldrig tag i den löpande maskinen! Ta endast bort spån och arbetsstyckesdelar om maskinen står stilla! Stoppa aldrig arbetsstycken med handen under körning! Gör aldrig mätningar på ett roterande arbetsstycke!
	Bär inte skyddshandskar!
	Varning- Var noga med att bära hörselskydd när du använder denna produkt.
	Varning- Var noga med att bära ögonskydd när du använder denna produkt.
	Varning- Var noga med att bära dammmasker när du använder denna produkt.
	Bär lämpliga arbetskläder! Bär inte löst sittande kläder eller smycken eftersom de kan fastna i rörliga delar och orsaka allvarliga olyckor! Bär ett hårnät om du har långt hår. Lösö föremål kan trassla in sig och orsaka allvarliga skador!
	Lämna aldrig maskinen igång utan uppsikt! Stäng av maskinen och vänta tills maskinen stannar innan du lämnar arbetsområdet. Koppla alltid bort maskinen innan några åtgärder utförs på maskinen. Undvik oavsiktlig start Använd inte maskinen med skadad strömbrytare Stickkontakten till ett elverktyg måste strikt överensstämna med

	uttaget. Använd inga adaptrar tillsammans med jordade elverktyg
	<p>Varje gång du arbetar med en elektriskt driven maskin rekommenderas försiktighet! Det finns risk för elektriska stötar, brand, skärskador;</p> <p>Skydda maskinen från fukt (som orsakar kortslutning)</p> <p>Använd aldrig elverktyg och maskiner i närheten av brandfarliga vätskor och gaser (risk för explosion)</p> <p>Kontrollera kabeln regelbundet för skador</p> <p>Använd inte kabeln för att bära maskinen eller för att fixera arbetsstycket</p> <p>Skydda kabeln från värme, olja och vassa kanter</p> <p>Undvik kroppskontakt med jordad</p>
	<p>Innan du börjar arbeta, ta bort eventuella spikar och andra främmande kroppar från arbetsstycket</p> <p>Förvara alla maskiner som inte används utom räckhåll för barn</p>
	Denna produkt är av skyddsklass III.
	<p>FCC uttalande:</p> <p>Denna enhet uppfyller del 15 av FCC-reglerna. Driften är föremål för följande två villkor: (1) Den här enheten får inte orsaka skadliga störningar och (2) den här enheten måste acceptera alla mottagna störningar, inklusive störningar som kan orsaka oönskad funktion.</p>
	<p>Avfallshanteringsinformation:</p> <p>Detta produkten omfattas av bestämmelserna i det europeiska direktivet 2012/19/EC. Symbolen som visar en soptunna korsad anger att produkten kräver separat sophämtning i EU. Detta gäller för produkten och alla tillbehör märkta med denna symbol. Produkter märkta som sådana får inte slängas tillsammans med vanligt hushållsavfall, utan måste lämnas till en samlingsplats för återvinning av elektriska och elektroniska apparater</p>



VARNING : Läs alla säkerhetsvarningar, instruktioner, illustrationer och specifikationer som medföljer denna maskin. Underlåtenhet att följa alla instruktioner som anges nedan kan resultera i elektriska stötar, brand och/eller allvarliga skador.


Spara alla varningar och instruktioner för framtida referens.

1. Verktygsmaskinen ska användas av erfaren personal. Om du inte är bekant med hur du använder svarven, använd inte verktygsmaskinen som du vill . Använd instruktionerna före användning.
2. Innan du startar verktygsmaskinen ska säkerhetskåpan sitta korrekt placera.
3. Innan du startar verktygsmaskinen, kontrollera om verktygsstödnnyckeln och chucknyckeln är borttagna.
4. Förhindra att maskinen startar oavsiktligt. Stäng av motorn innan du klämmer fast arbetsstycket eller verktyget.
5. Tvinga inte skärning. Kapning enligt inställd skärhastighet, skärdjup och matningshastighet.
6. Använd rätt verktyg. Använd rätt verktyg eller arbetsstycke för bearbetning.
7. Håll verktyget skarpt och rent för att säkerställa normal och säker drift. Smörj och byt ut tillbehör regelbundet.
8. Innan du justerar eller reparerar maskinen, se till att koppla bort strömförsörjningen.
9. Kontrollera maskinens säkerhetsprestanda innan du startar den. Kontrollera prestandan för alla rörliga delar. Alla delar måste installeras korrekt. Skadade delar måste repareras omgående.
10. När maskinen är igång får operatören inte lämna.
11. Håll arbetsplatsen ren, smutsig arbetsmiljö är lätt att leda till olyckor.
12. Använd inte maskinen i farlig miljö.
Arbeta inte på fuktiga platser. Se till att elektriska komponenter är skyddade från fukt. Håll god belysning.
13. Barn är förbjudna att komma in på arbetsplatsen och personal som inte

är i drift bör hålla ett säkert avstånd från arbetsområdet.

14. Att hålla barn borta från arbetsområdet. Dörren ska vara låst när du lämnar verkstaden.
15. Klä dig lämpligt. Bär inte löst sittande kläder, handskar, slipsar, ringar, armband, smycken etc. För att vara på den säkra sidan, För säkerhets skull, bär halkfria skor. Om du har långt hår, vänligen ha en arbetshatt.
16. Bär skyddsglasögon när du arbetar.
17. Var uppmärksam på var du står och håll balansen hela tiden.
18. Placera inte händerna nära maskinens rörliga delar.
19. Utför inga inställningsåtgärder medan maskinen är igång.
20. Läs och förstå alla varningsskyltar som finns uppsatta på maskinen.
21. Denna handbok är endast avsedd att bekanta kunderna med hur maskinen fungerar och är inte en utbildningsmanual.
22. Följ dessa varningar annars kan allvarlig skada uppstå.
23. Maskinen kommer att producera några skadliga kemikalier i arbetet med damm, sågning, slipning och borring som produceras genom slipning. För att minska skadorna av dessa kemikalier, vänligen arbeta på en väl ventilerad plats och bära säkerhetsanordningar. Såsom partikelfiltermasker.

Återstående riskfaktorer

	VARNING
	<ul style="list-style-type: none">● Det är viktigt att säkerställa att varje maskin har kvarstående risker.● Vid utförandet av allt arbete (även det enklaste) krävs största uppmärksamhet. Ett säkert arbete beror på dig!

Även om maskinen används efter behov är det fortfarande omöjligt att eliminera vissa kvarvarande riskfaktorer helt. Följande faror kan uppstå i samband med maskinens konstruktion och design:

- Risk för skador på händer/fingrar av det roterande arbetsstycket under drift.
- Risk för skador på grund av skarpa kanter på arbetsstycket, speciellt vid icke fixerad med lämpligt verktyg/enhetsarbetsstycke.
- Risk för skador: hår och löst sittande kläder etc. kan fångas upp och lindas upp! Säkerhetsföreskrifter måste följas när det gäller kläder.
- Risk för skador på grund av kontakt med strömförande elektriska komponenter.
- Risk för skador på grund av damm, behandlade med skadliga ämnen arbetsstycken
- Risk för ögatskador genom flygande skräp, även med skyddsglasögon.
- Risk för hörselskador vid långvarigt arbete utan hörselskydd.

Kickback är en plötslig reaktion. Detta orsakar utkastning av verktyget i operatörens riktning.

Dessa riskfaktorer kan minimeras genom att följa alla säkerhets- och driftsinstruktioner, korrekt maskinunderhåll, skicklig och lämplig drift av personer med teknisk kunskap och erfarenhet.

TECHNICAL PARAMETER

Spänning	230 V / 50 Hz	110 V / 60 Hz
Motorkraft	350W	
Spindelhastigheter	885/1245/1715/2425 RPM	
M ax. vridande diameter	Ø 350 mm	
S stift diameter	Ø 22	
Spindelgänga	M18	
Avstånd mellan centra	970 mm	
Tailstock spindelrörelse	10 mm	
Taper i Tail stock Spindel	MT1	
Vikt	NW: 23Kg; GW: 28,2 kg	
Paketstorlek	1545×300×435 mm	

Den allmänna informationen i denna specifikation är inte bindande.

Lär känna din träsvärv : (Fig. 1)

1. PÅ/AV-BRYTARE

Enhet för att slå på eller stänga av träsvärv.

2. BÄMME OCH remskiva

Kåpa för rem och remskiva. Öppna denna lucka för att nå remmen och remskivan när du ändrar hastigheten på drivcentrum.

3. DRIVCENTER

Håller arbetsstycket för svarvningsjobb.

4. SÄNGSKÄNGAR

Skenor för att flytta baksäck och verktygsstöd.

5. VERKTYGSVILA

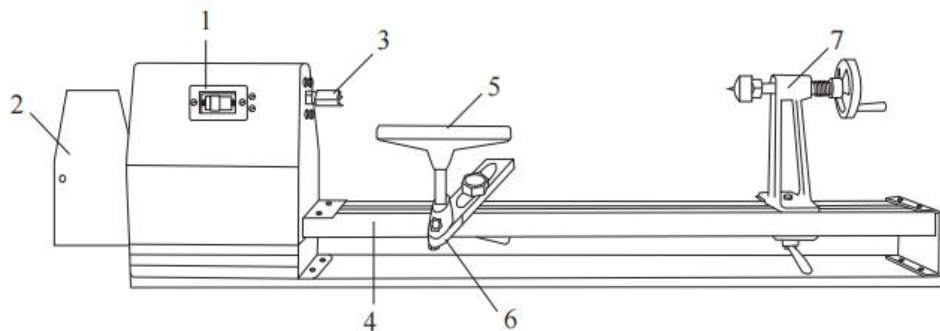
Stativet håller verktyget vid svarvning av arbetsstycket.

6. VERKTYGSSTÖD LÅSVRED

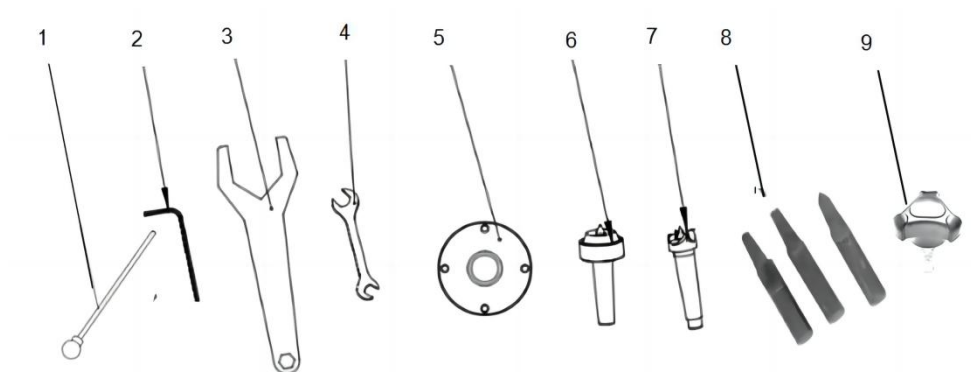
Låsvred för höjdjustering av verktygsstöd.

7. MONTERING AV SVANSLAGER

Fungerar med drivcentrum för att hålla arbetsstycket för svarvningsjobb



Standardtillbehör



DELNR.	BESKRIVNING	ANTAL
1	Stånginsprutning	1
2	Insexnyckel S3	1
3	Rycka	1
4	Gaffelnyckel	1
5	Ansiktsplatta	1
6	Levande centrum	1
7	Spur center	1
8	Svarvverktygsstöd	3
9	Plasthandtag	1

INTENDED USE

Maskinen får endast användas för avsett ändamål! All annan användning anses vara ett fall av missbruk.

För att använda maskinen på rätt sätt måste du också följa och följa alla säkerhetsföreskrifter, monteringsanvisningar, drift- och underhållsinstruktioner som finns i denna manual.

Alla personer som använder och servar maskinen måste vara bekanta med denna manual och måste informeras om maskinens potentiella faror. Det är också absolut nödvändigt att följa de olycksförebyggande föreskrifter som gäller i ditt område.

Detsamma gäller för de allmänna reglerna för arbetarskydd.

Maskinen används för: Svarvning av trä.

All manipulation av maskinen eller dess delar är ett missbruk, i detta fall kan dess försäljningspartners inte göras ansvariga för NÅGON direkt eller indirekt skada.

Även när maskinen används enligt föreskrifterna är det fortfarande omöjligt att eliminera vissa kvarvarande riskfaktorer.



VARNING

- Använd aldrig maskinen med defekt eller utan monterat skydd!
- Demontering eller modifiering av säkerhetskomponenterna kan leda till skador på utrustningen och allvarliga skador!

HÖGSTA RISKEN FÖR SKADA!

Omgivningsförhållanden

Maskinen kan användas:

Luftfuktighet	M ax. 70 %
T temperatur	+5°C till +40°C (+41°F till +104°F)

Maskinen får inte användas utomhus eller i våta eller fuktiga utrymmen. Maskinen får inte användas i områden som utsätts för ökad brand- eller explosionsrisk.

Förbjuden användning

Det är förbjudet att använda maskinen utanför de angivna tekniska gränserna som beskrivs i denna manual.

Drift av maskinfunktionen utan nödstoppknapp eller pumphjulslåda med öppna dörrar är förbjuden.

Det är förbjudet att använda maskinen som inte uppfyller de erforderliga dimensionerna.

Det är förbjudet att använda maskinen som inte är lämplig för användning av maskinen och inte är certifierad.

Det är förbjudet att använda maskinen för andra ändamål än de som beskrivs i denna bruksanvisning.

Det är förbjudet att använda maskinen utan tillsyn under arbetsprocessen!

Det är inte tillåtet att lämna det omedelbara arbetsområdet under arbetets gång.

UNPACKING AND CLEANING

1. Ta bort träbearbetningsvarven från lådan
2. Kontrollera alla tillbehör till verktygsmaskinen enligt packlistan.
3. Välj en plats för svarven som är torr, har bra belysning och har tillräckligt med utrymme för att kunna serva svarven på alla fyra sidor.
4. För att undvika att sängen vrids måste svarvens placering vara helt plan och jämn. Skruva fast svarven på stativet (om det används).
5. Rengör alla rostskyddade ytor med ett mildt kommersiellt lösningsmedel, fotogen eller diesel. Använd inte thinner, bensin eller lack thinner. Dessa kommer att skada målade ytor. Täck alla rengjorda ytor med en lätt film av 20W maskinolja.

ASSEMBLY

Leveransinnehåll

Kontrollera produktens innehåll omedelbart efter mottagandet för eventuella transportskador eller saknade delar. Anspråk på transportskador eller saknade delar måste göras omedelbart efter det första maskinens mottagande och upppackning innan maskinen tas i drift. Vänligen förstå att senare anspråk inte längre kan accepteras.

Arbetsplatskrav

Arbetsplatsen måste uppfylla kraven.

Marken måste vara jämn, jämn och hård. Den måste åtminstone vara lämplig att väga den med dubbel vikt per kvadratmeter än maskinens nettovikt.

Den valda arbetsplatsen måste ha tillgång till ett lämpligt elnät som uppfyller maskinens krav.

Transport

Maskinen kan transporteras i paket med gaffeltruck.

Maskinen är väldigt tung. Maskinen ska endast lyftas från backen med en lämplig lyftanordning som är certifierad för att kunna bära maskinens last.



VARNING

Lyftning och transport av maskinen får endast utföras av kvalificerad personal och måste utföras med lämplig utrustning .

Förberedelse av ytan

Obelagda maskindelar av metall har isolerats med ett fettskikt för att förhindra korrosion.

Detta lager måste tas bort. Du kan använda vanliga lösningsmedel som inte skadar maskinytan.



VARSEL

- Använd inte lösningsmedel baserade på nitrit, aggressiva lösningsmedel som brytengöringsmedel eller skurmedel!
- Dessa skadar maskinens yta.

Strömförsörjning



UPPMÄRKSAMHET

Vid arbete med icke jordade maskiner:
Allvarliga skador eller till och med dödsfall kan uppstå genom elstöt!
Därför : Maskinen måste användas i ett jordat eluttag

Anslutningen av maskinen till elnätet och följande kontroller får endast utföras av en utbildad elektriker.

- be. Maskinens elektroniska anslutning är avsedd för drift med ett jordat eluttag!
- bf. Nätspänningen måste säkras med 16A:
- bg. Om kontakten inte passar eller om den är defekt, får endast kvalificerade elektriker modifiera eller förnya den!
- bh. Jordledningen ska hållas i grön-gul.
- bi. En skadad kabel måste bytas omedelbart!
- bj. Kontrollera om matningsspänningen och Hz överensstämmer med maskinens erforderliga värden. En avvikelse i matningsspänningen på $\pm 5\%$ är tillåten.
- bk. Efter anslutning, kontrollera rätt körriktning!

- bl. Se till att en eventuell förlängningssladd är i gott skick och lämplig för överföring av kraft. En underdimensionerad sladd minskar kraftöverföringen och värmer upp.

OPERATING ADJUSTMENTS

JUSTERING AV BÄLMSPÄNNING

Svarven är packad med bälte installerat. Det kommer dock att behöva en justering innan den används.

1. Koppla bort svarven från strömkällan.
2. Lossa och ta bort sexkantsbulten med justerbar skiftnyckel. (som figur 1)
3. Tryck ner bältet med handen. Bältet ska röra sig 1/2" när det är rätt inställt. (som figur 2)

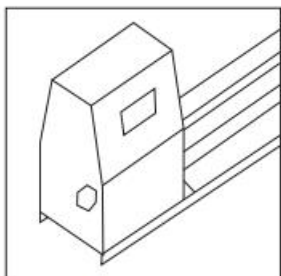


Figure 1

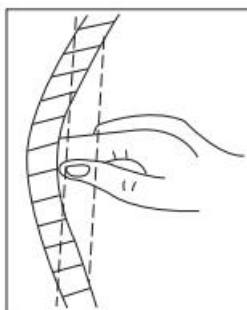


Figure 2

JUSTERING AV HASTIGHET

Fyra spindelhastigheter på 1100, 1600, 2300 och 3400 RPM (885 , 1245 , 1715 , 2425) finns tillgängliga med svarv. Diagram-1 illustrerar vilken storlek av dragarna som remmen måste placeras för att få fyra hastigheter.

Diagram-2 visar lämpliga hastigheter för arbetsstycket.

Diagram-1

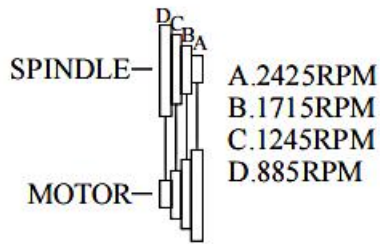
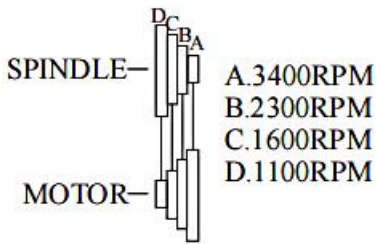
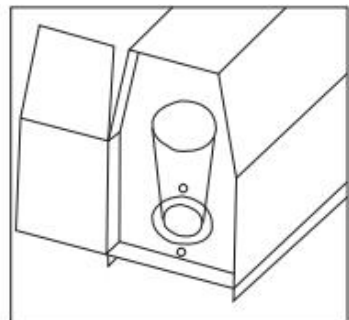


Diagram-2

Roughing off	General cutting	Fine cutting	Finishing
1100RPM	1600RPM	2300RPM	3400RPM
885RPM	1245RPM	1715RPM	2425RPM

36. Koppla bort svarven från strömkällan.
37. Öppna kåpan för remmen och remskivan.
38. Lossa motorremskivan genom att lossa bultarna med justerbar skiftnyckel (som figur)
39. Placera kilremmen i rätt läge för önskad hastighet.
40. Justera kilremmen till rätt spänning och dra åt motorremskivan.

OBS: För korrekt bältesspänning, tryck ned bältet med handen. Bältet ska röra sig 1/2" när det är rätt inställt

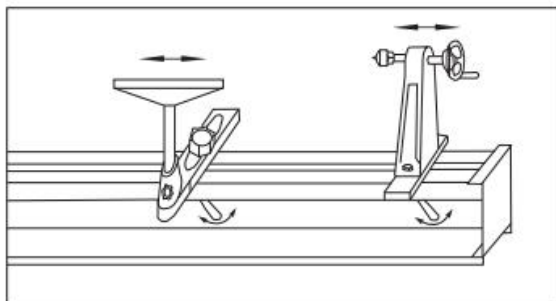


MONTERING AV RÖRLIG SVANSLAGER OCH VERKTYGSSTÖD

Bakstycket och verktygsstödet hålls mot sängen med låshandtaget precis under sängräcken. För att flytta dem till ett nytt läge:

1. Koppla bort svarven från strömkällan.
2. Lossa låshandtaget med vredet.
3. Skjut bakstycket eller verktygsstödet längs sängen och dra åt

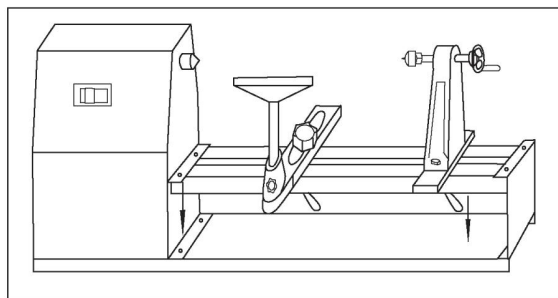
låshandtaget igen. (som figur)



MONTERING AV SVARV

Svarven ska monteras på ett stadigt underlag såsom ett stativ eller arbetsbänk vid drift. För att montera svarv:

1. Koppla bort svarven från strömkällan.
2. Lokalisera och markera var svarven ska monteras.(som bild)
3. Borra fyra(4) 5/16" hål genom arbetsbänken.
4. Placera svarven på arbetsbänken och rikta in hålen i sängen med hålen borrade i arbetsbänk.
5. Sätt i fyra bultar (säljs separat) och dra åt.



BORTTAGNING AV SVANSLAGERSPINDEL

Så här tar du bort ändlagersspindel från ändlagersenheten:

1. Koppla bort svarven från strömkällan.
2. Ta bort handratten genom att lossa ställskruven med en 1/8" insexnyckel bort från spindel (som figur 1)

3. Skruva loss ändlagersspindeln från ändlagerenheten. (som figur 2)

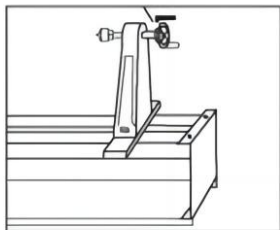


Figure 1

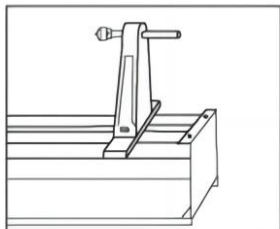
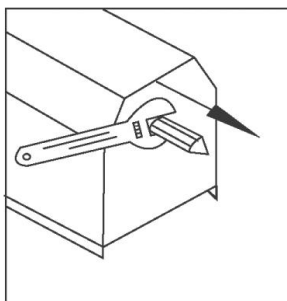


Figure 2

BORTTAGNING AV DRIVCENTER

Drivlagercentrum måste tas bort för att fästas på lager vid spindelsvarvning. Den måste också tas bort när du fäster frontplattan för att vrida frontplattan. För att ta bort drivcentrum från drivspindeln:

1. Koppla bort svarven från strömkällan.
2. Använd skiftnyckeln för att hålla den platta halsen på drivspindeln. Skruva sedan av drivcentrum mot riktningen (som bild)

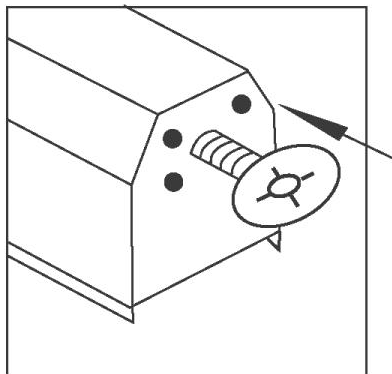


INSTALLERA ANSTSÄTTNING

Frontplattan medföljer din svarv. Så här installerar du frontpanelen:

1. Koppla bort svarven från strömkällan.
2. Ta bort drivcentrum från drivspindel.
3. Rikta in mitthålet på frontplattan mot spindelns gänga.(som bild)

4. Skruva fast frontplattan i spindeln.



JUSTERING CENTRERA

Om mitten inte är i linjerna, gör följande justeringar:

1. Flytta ändlagerenheten nära drivcentrumenheten.(som figur 1)
2. Lås bakstycket.
3. Lossa de fyra sexkantsbultarna runt drivcentrumet (som figur 2)
4. Sväng drivcentrumet så att de två mitten är i linje, dra sedan åt bultarna.

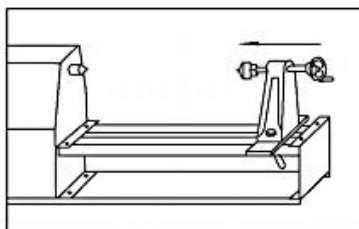


Figure 1

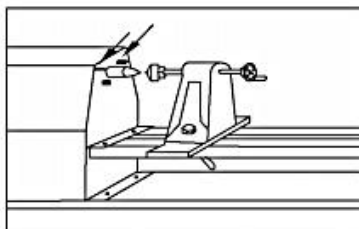


Figure 2

OPERATION

Enheten ska endast användas i perfekt tillstånd. Inspektera enheten visuellt varje gång den ska användas. Kontrollera särskilt säkerhetsutrustning, elreglage, elkablar och skruvförband med avseende på skador och om de är ordentligt åtdragna. Byt ut alla skadade delar

innan du använder enheten.

SPINDEL VARVNING

Följande instruktion kommer att ge en nybörjare en start på träsvarvoperationen. Använd en träbit för att kontrollera inställningen och för att få känslan av operationerna innan du försöker utföra vanligt arbete.

VARNING Håll alltid händerna borta från enhetens centrum eller frontpanelen när strömmen är på.

1. Välj en träbit.
2. Rita diagonala linjer på ead för att lokalisera mitten. (som figur 1)
3. På slutet gör du ett sågsnitt ungefär 1/16" djupt på varje diagonal linje. Detta är för drivcentrumet. En mini bågfil är användbar för detta. Den andra slutet är för tail stock center.
4. Använd en trä (gummi)klubba eller plasthammare, kör in ändstockens mitt i träet. Ta bort tail stock center.(som figur 2)
5. Kör in drivcentrumet i den andra änden av träet. Se till att sporrarna är i sågsnitten. Ta bort drivcentrumet.
6. Rengör mitten, gängen på drivspindeln och gänghålet på bakkroppen. Installera drivcentret i drivspindeln och tail stock-centret i tail stock-kroppen.
7. Placera träet mellan mitten och lås tail stock-kroppen.
8. Flytta in ändstockens mitt i träet genom att vrida på handratten. Se till att drivcentrum och drivcentrum sitter i träet i hålen som gjordes i steg 4 och 5. Roter träet för hand medan du vrider på handhjul.
9. Justera verktygsstödet ungefär 1/8" bort från träets hörn och 1/8" ovanför mittlinjen. Lås verktygsstödet bas och verktygsstödet. (som figur 3)
10. Roter träet för hand för att se till att hörnen inte träffar verktygsstödet.
11. Granska hastighetsinställningen som föreslås i hastighetsvalstabellen.
12. Justera ofta som i steg 9 eftersom lagerdiametern minskar.

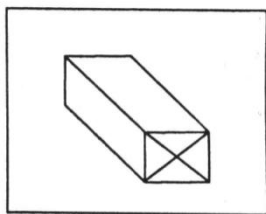


Figure 1

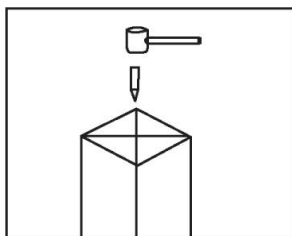


Figure 2

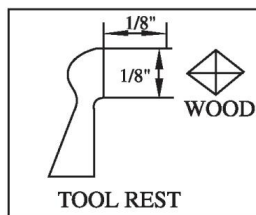


Figure 3

HANDPOSITION

Placeringen av dina händer till verktyget kommer att bestämmas av hur mycket hävstång som krävs.

Verktygsstödet handposition är normalt i ett grepp med handflatan uppåt. Det första fingret fungerar som en guide och glider längs ett verktygsstöd när snittet görs. Handgreppet med handflatan nedåt kan användas för tunga grovbearbetningsapplikationer. handen eller lillfingret kommer att fungera som en guide.

GROV EN SPINDEL CYLINDER

Den stora skåran används för denna svarvning. Kör svarven med låg hastighet för denna operation. Snittet bör börja ca 2" från slutet av ändstocken och fortsätter tillbaka mot ändstocken. Varje motsvarande snitt kommer att ske cirka 3" till vänster sida av det första snittet. Detta kommer att fortsätta tills du når en position 2" från huvudstockens centrum. Du kommer sedan att rulla skåran i motsatt riktning, vilket kommer att bära snittet till änden av spindeln.

HUR MAN ANVÄNDER ETT AVSTÄLLNINGSVERKTYG

Avstickningsverktyget har ett primärt syfte: att skära rakt in i arbetsstycket så djupt som önskat eller hela vägen igenom för att göra en avskärning. Det är därför ett mycket smalt verktyg (1/8" brett) och är format. att skära av sitt eget spel så att kanten inte bränns. När den används för skrapning, dock, det bör backas av regelbundet för att förhindra överhettning. Till skillnad från skåran och skevningen hålls avstickningsverktyget sällan med avfasningen mot verket. Eftersom mängden lager som tas bort är liten,

ett stöd för avfasningen är inte nödvändigt. Verktuget matas helt enkelt in i arbetet i en vinkel (för skärning) , eller pekade på arbetsstyckets mitt (för skrapning).

HUR MAN ANVÄNDER EN SKEV

Det här verktyget används nästan alltid för att göra färdiga snitt, för att skära vees och pärlor eller till fyrkantiga axlar. Rätt använt ger den den bästa finishen som kan erhållas med en mejsel.

Det bör användas väldigt lite för att skrapa, eftersom detta snabbt dämpar det.

För färdigskärning, snedställningen hålls med skäreggen betydligt före handtaget, fassidan nedåt. Håll snedställningen väl över arbetet, dra tillbaka den tills kanten börjar skära sig, Sväng sedan handtaget på plats för att föra fram snittet. Både tån och hälen på skevningen kan användas för att ta lätta skärsår. Penetrera inte träet för djupt utan att säga tillstånd, eftersom det finns risk för att spetsen på verktyget bränns.

KLIPPAR EN AXEL

En axel kan vara sidan av en kvadratisk del kvar i arbetsstycket, sidan av en svarvad sektion, eller slutet av arbetsstycket. De flesta axlar är vinkelräta mot arbetsaxeln, men en axel kan vara i vilken vinkel som helst. Första, markera axelns position med en penna som hålls mot det roterande arbetsstycket. Gör sedan ett dimensioneringssnitt med avstickningsverktyget, placera snittet cirka 1/16" utanför axelpositionen. Skär till inom 1/8" av det djup som önskas för området utanför axeln. Om axeln är ytlig, tån på skevningen kan användas för att göra storleksskärningen. Gå inte in djupare än 1/8" med snedställningen såvida inte bredare hål skärs för att ge utrymme för verktyget.

Använd skåran för att ta bort eventuellt avfall utanför axeln. Jämna ut sektionen upp till 1/8" från axeln. Om den inte är mer än 1" hög, det görs bäst med 1/2" skevningen.

Första, använd skevets tå för att ta bort spånen från sidan av axeln ner till färdig storlek. Håll snedställningen så att den nedre kanten av avfasningen bredvid axeln kommer att vara mycket nästan parallell med sidan av axeln.

Se till att detta är med skärebben bortvänd upptill, så att endast den yttersta tån klipper. Om eggen är platt mot axeln kommer mejseln att springa. Börja med handtaget lågt och höj det sedan för att föra tån in i arbetet. Klipp ner till färdig diameter på ytterområdet, rensa sedan ut hörnet genom att gå framåt hälen på snedställningen in i den längs ytan utanför området. Luta skärebben, med handtaget upplyft, så att endast den extrema hälen skär av om axeln är i slutet av arbetet, Processen kallas "aquaring the end." I det här fallet, minska den yttre delen till en diameter på cirka 1/4" större än verktygets centrum diameter. Såga av avfallslagret senare.

SKÄRNING AV VIRKAR

Använd ett pennmärke för att ange kanterna. Rugga sedan ut den till ungefär 1/8" av den önskade ytan genom att skrapa med skåran eller stämjärnet med rund näsa. Om viken ska vara mycket bred, kan storleksskärningar göras för att rita ut grovbearbetningen. ut, viken kan avslutas i två snitt; en från varje sida till nedre mitten.

I början av endera skärningen hålls hålet med handtaget högt och de två sidorna av bladet hålls mellan tummen och pekfingret på verktygsstödhandtaget, precis bakom avfasningen. Placera fingrarna redo att rulla in bladet i bukten. Håll bladet så att avfasningen är 90 graders vinkel mot arbetsaxeln, med spetsen vidrör pennlinjen och pekade in i arbetsaxeln.

Från denna början, tryck ner punkten något för att börja skära, fortsatt sedan att flytta punkten nedåt i en riktning mot den nedre mittviken. i slutet av snittet, det blir platt längst ner i viken. Syftet är att hålla den yttersta punkten av skåran som skär från början till slut. Omvända rörelser för att skära den motsatta sidan.

SKÄRVÄT

Vee-spår kan skäras med antingen tån eller hälen på skevningen. När tån används, skärningen är exakt densamma som när man trimmer en axel, förutom att snedställningen lutar till skär vid önskad avfasning. Lätta snitt bör göras på ena sidan först, sedan

den andra, gradvis förstoring av vee till önskat djup och bredd. När hälen används roteras snedställningen ner i verket, med hjälp av verktygsstödet som en pivot.

Annat, klippposition och sekvens av snitt är densamma. Som när du använder tån, det är viktigt att kapning endast görs i den yttersta änden av skäreppen. Om djupa vees planeras, det går snabbare att starta dem genom att göra ett storlekssnitt i mitten av varje vee. Vees kan också skrapas med spetsmejseln eller en tresidig fil.

UPPLAGA PROJEKTET

Gör en layout först, för att ge ett visuellt mönster att följa när du arbetar med svarvningen. Mönstret kan läggas ut på samma sätt som spindelmönster. Mallar kan hållas mot arbetet för visuell jämförelse. Cirklar för att lokalisera de olika kritiska punkterna kan snabbt skrivas på roterande arbete med hjälp av avdelare.

VÄNDNING AV PROJEKTET

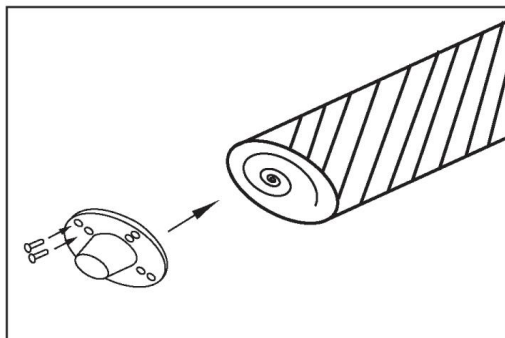
Det första steget är att ta bort så mycket trä som möjligt genom att borra in i mitten med den största träbiten som finns. Var noga med att i förväg mäta till vilket djup borren kan tillåtas gå.

Nästa, ta bort huvuddelen av avfallet genom att skrapa med rundnässkrapan eller skålen.

Ta bort upp till 1/8" från färdig storlek på detta sätt. Avsluta den inre omkretsen genom att skrapa med den runda nosen eller vänster runda skrapa. Jämna till botten av urtaget genom att skrapa den platt nosskrapa. Försök alltid att placera den del av verktygsstödet som stöder verktyget så nära arbetsytan som möjligt.

MONTERA ARBETSDelen PÅ ANSIDEN

Du kan montera frontplattan direkt på arbetsstycket genom att fästa fyra (eller åtta) träskruvar (säljs separat). Detta är en enkel process som bör användas när det är möjligt.



VARNING

Se alltid till att arbetsstycket är ordentligt fastsatt på frontplattan eller mellan mittpunkterna. När frontplattan vrids. Se alltid till att skruvfästena inte kommer i kontakt med svarvverktyget medan arbetet fortskrider

VÄNDNING AV ANSIKTET

Svarvning som inte monteras mellan centrum kräver en frontplatta för hålla i arbetsstycket. Alla arbetsstycken av denna typ bör vara något överdimensionerade för att eliminera grovskärningar och vibrationer.

Driftinstruktioner



UPPMÄRKSAMHET

Slå aldrig på maskinen medan du trycker mejseln mot materialet!



VARSEL

- Innan du sätter på maskinen, se till att verktygsstödet är ordentligt åtdraget
- Vrid det fastspända arbetsstycket varje gång innan du vrider för hand för att säkerställa att det löper fritt och inte vidrör viloverktyget!
- Kontrollera därigenom även om arbetsstycket är centrerat och spänn fast!
- Se till att styra och hålla mejseln med båda händerna säkert och hårt under bearbetningen!
- Arbeta endast med välslipade verktyg!
- Arbeta endast stora och obalanserade arbetsstycken med låg spindelhastighet!
- Specifikationer för arbetsstyckets maximala eller minsta storlek måste beaktas!
- Arbetsstycken med sprickor får inte användas!
- Bearbeta endast utvalda träslag utan defekter!

Drift

På-av-brytare

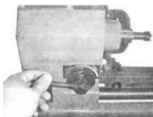

Slå på: Tryck på den gröna knappen ("I") i 2 sekunder. Maskinen börjar gå.

Avstängning: Tryck på den röda knappen ("0").


Maskinen stannar inte direkt! Stanna så länge vid maskinen tills arbetsstycket har stannat helt (stoppa inte arbetsstycket för hand!)

Hastighetsjustering

Hastigheten kan ställas in steglöst genom att vrida på hastighetsreglaget.

VARSEL		
	Du måste flytta spaken till den lägsta hastighetsinställningen innan du vrider omkopplaren PÅ/AV, annars kanske motorn inte startar!	

Verktysvila

VARSEL	
	Verktysstödet bör väljas så nära arbetsstycket som möjligt! Höjjustering strax under arbetsstyckets mittlinje. Vrid arbetsstycket för hand och kontrollera att arbetsstycket kan rotera fritt innan du svänger!

MAINTENANCE

UPPMÄRKSAMHET		
	<p>Utför alla underhållsinställningar för maskinen med maskinen frånkopplad från strömförsörjningen! Allvarlig skada på grund av oavsiktlig eller automatisk aktivering av maskinen!</p>	

Maskinen kräver inget omfattande underhåll. Om funktionsstörningar och defekter uppstår, låt den endast utföras av utbildad personal.

Innan den första driften samt senare var 100:e drifttimme bör du smörja alla anslutningsdelar (om så krävs, ta bort alla spån och damm i förväg med en borste).

Kontrollera regelbundet skicket på säkerhetsdekalerna. Byt ut dem vid behov.

Kontrollera regelbundet maskinens skick.

Det goda skicket och perfekta justeringen av styrrullarna är avgörande för en jämn bandstyrning och ett rent snitt.

Förvara maskinen på en stängd, torr plats.

VARSEL

Rengör din maskin regelbundet efter varje användning – det förlänger maskinens livslängd och är en förutsättning för en säker arbetsmiljö.

Reparationsarbeten får endast utföras av respektive utbildad fackman!

Underhållsplan

Efter varje arbetspass:

Rengör maskinen och dess delar med en kraftig tryckluftsstråle från trädamm och andra materialrester. Rörliga delar kan också rengöras med en borste eller en mjuk borste. Applicera ett tunt lager smörjolja på alla rörliga delar av maskinen.

Efter 50 timmars drift

Kontrollera kilremmarna.

Bestäm orsaken till slitna bälten. Kontrollera om ojämna eller grova ytor och byggdes på kilremskivorna. Byt ut slitna eller sträckta bälten!

Rengöring

Efter varje arbetsskift måste maskinen rengöras. Ta bort spån etc. med lämpligt verktyg. Ta inte bort dem för hand (skärskada!). Ta också bort damm.

VARSEL



Användning av vissa lösningar som innehåller ingredienser som skadar metallytor samt användning av skurmedel kommer att skada maskinens yta!

Rengör maskinens yta med en våt trasa indränkt i en mild lösning.

Förfogande


Kasta inte maskinen i restavfallet. Kontakta dina lokala myndigheter för information om tillgängliga kasseringsalternativ. När du köper en ersättningsenhet hos din lokala återförsäljare är den senare skyldig att byta ut din gamla.

TROUBLE SHOOTING

ARBETA FÖR ATT

Problem	Möjlig orsak	Lösning
Bullrig drift	a. Felaktig remspänning b. Lös remskiva c. Lös bilt d. Dålig bäring	a. Justera spänningen b. Dra åt remskivan c. Justera remspänningen d. Byt ut lagret
Motorn startar inte	a. Strömförsörjning b. Motoranslutning c. Växla anslutningar d. Motorlindningar brända e. Dålig switch	a. Kontrollera nätsladden b. Kontrollera motoranslutningarna c. Kontrollera motoranslutningarna d. Byt ut motorn e. Byt strömbrytare
Verktogsstöd eller tailstock svårt att flytta	a. Behöver smörjning b. Böjda sängstänger c. Låsmuttern åtdragen	a. Smörjning med lätt olja b. Råta ut sängräcken c. Lossa låsmuttern

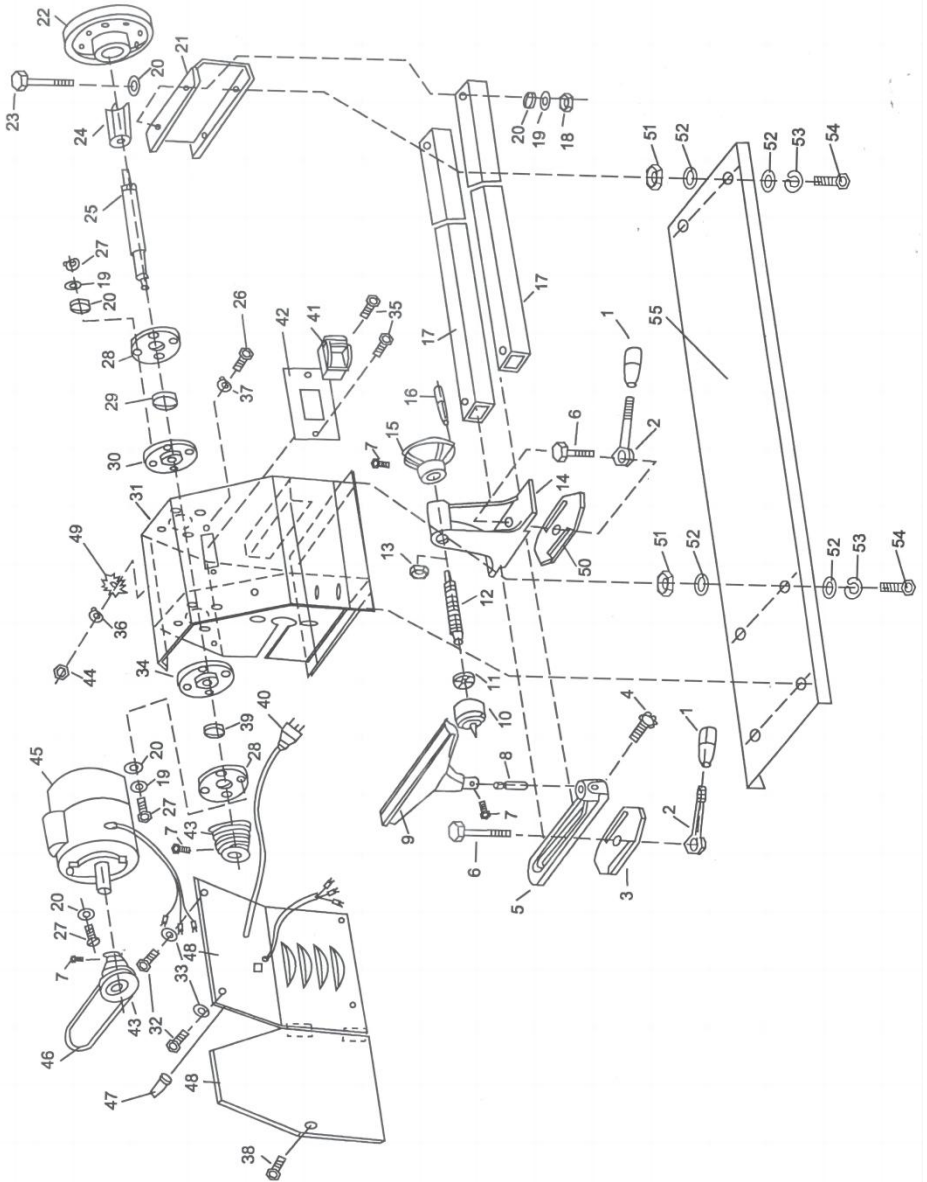
MÅNGA MÖJLIGA FELKÄLLOR KAN RENGÖRAS GENOM DEN EXPERT ANSLUTNING TILL ELNÄTET.

VARSEL	
	Skulle du vid nödvändiga reparationer inte kunna utföra ordentligt eller inte har föreskriven utbildning för det locka alltid en verkstad för att åtgärda problemet.

EXPLOSIONSZEICHNUNG / EXPLOSION DRAWING

INDEXNR	BESKRIVNING	STORLEK	ANTAL
1	Låshandtagsknopp		2
2	Låshandtag		2
3	Klämma		1
4	Låsknopp		1
5	Hållare för verktygsstöd		1
6	Bult	(M14x70)	2
7	Bult	(M6x10)	4
8	Stödstång		1
9	Verktygsvila		1
10	Centrum		1
11	Lager	6201	1
12	Svanslagersspindel		1
13	Skruva	(M18)	1
14	Svansstock		1
15	Handhjul		1
16	Handhjulsstång		1
17	Sängstång		2
18	Mutter	(M8)	4
19	Fjäderbricka	8	12
20	Bricka	8	18
21	Anhängare		1
22	Ansiktsplatta		1
23	Bult	(M8x55)	4
24	Drive center		1
25	Drivspindel		1
26	Bult	(M4x10)	2
27	Skruva	(M8x16)	10
28	Lagerbricka		2
29	Lager	6204	1
INDEXNR	BESKRIVNING	STORLEK	ANTAL
30	Bärande bas		1

31	Skåp		1
32	Bult	(M5x12)	4
33	Bricka	(5)	4
34	Lagerbas		1
35	Utplåna	(M4x12)	2
36	Fjäderbricka	(4)	2
37	Bricka	(4)	2
38	Bult	(M8x16)	1
39	Omtänksam	6203	1
40	Plugg		1
41	Växla		1
42	Byt kort		1
43	Bälte wheel		2
44	Mutter	(M4)	2
45	Motor		1
46	Triangelbälte	(0500)	1
47	Buske		1
48	Bolt och remskiva lock		1
49	Björnbricka	(4)	2
50	Klämma		1
51	Mutter	(8)	6
52	Bricka	(8)	12
53	Fjäderbricka	(8)	6
54	Bult	(M8x20)	6
55	Basplatta		1



VEVOR[®]

TOUGH TOOLS, HALF PRICE

Teknisk Support och e-garanticertifikat

www.vevor.com/support