



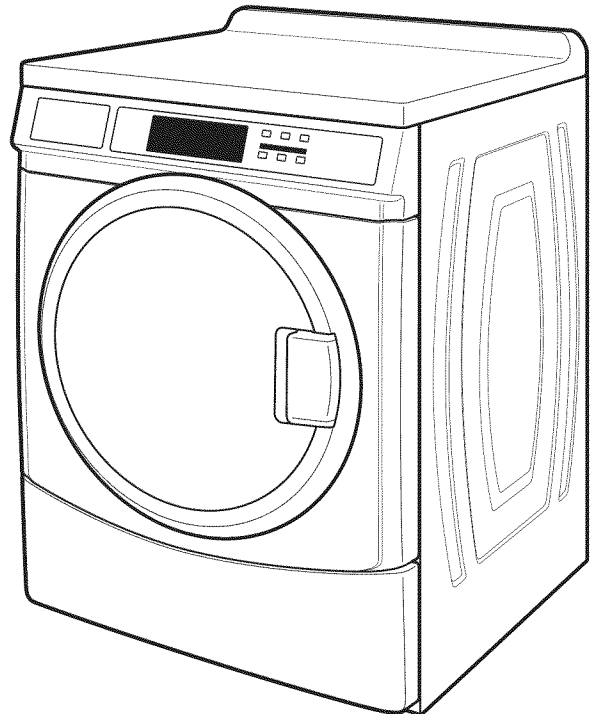
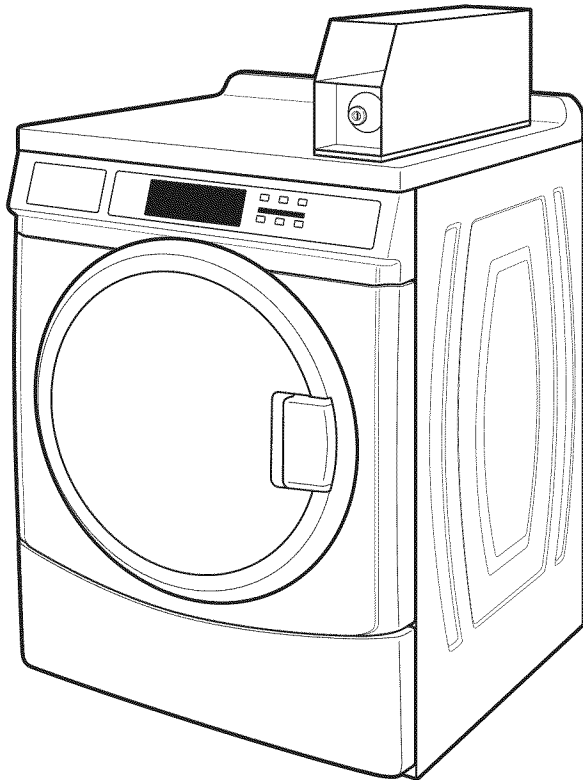
INSTALLATION INSTRUCTIONS

COMMERCIAL FRONT LOAD WASHER

INSTRUCTIONS POUR L'INSTALLATION

LAVEUSE COMMERCIALE À CHARGEMENT FRONTAL

Table of Contents/Table des matières..... 2



W10353871A

www.maytagcommerciallaundry.com

TABLE OF CONTENTS

WASHER SAFETY	2
INSTALLATION REQUIREMENTS	3
Tools and Parts	3
Accessories	4
Options	4
Location Requirements	4
Drain System	5
Electrical Requirements	6
INSTALLATION INSTRUCTIONS	6
Remove Transport System	6
Connect the Inlet Hoses.....	7
Connect the Drain Hose.....	8
Secure the Drain Hose.....	8
Level the Washer.....	9
Installing Pad Strips	9
Complete Installation	9
USER & SET-UP INSTRUCTIONS	10
General User Information.....	10
Control Set-up Procedures.....	10
Start Operating Set-up.....	11
WASHER CARE	14
ASSISTANCE OR SERVICE.....	15
WARRANTY	16

TABLE DES MATIÈRES

SÉCURITÉ DE LA LAVEUSE.....	17
EXIGENCES D'INSTALLATION	18
Outillage et pièces	18
Accessoires	18
Options	19
Exigences d'emplacement.....	19
Système de vidange.....	20
Spécifications électriques	20
INSTRUCTIONS D'INSTALLATION.....	21
Dépose du système de transport.....	21
Raccordement des tuyaux d'alimentation	22
Raccordement du tuyau de vidange.....	23
Immobilisation du tuyau de vidange.....	23
Réglage de l'aplomb de la laveuse.....	24
Installation des bandes de protection.....	24
Achever l'installation	24
INSTRUCTIONS D'UTILISATION ET D'INSTALLATION	25
Informations générales pour l'utilisateur.....	25
Procédures de réglage des systèmes de commande.....	25
Paramétrage pour mise en marche	26
ENTRETIEN DE LA LAVEUSE	29
ASSISTANCE OU SERVICE.....	30
GARANTIE.....	31

WASHER SAFETY

Your safety and the safety of others are very important.

We have provided many important safety messages in this manual and on your appliance. Always read and obey all safety messages.



This is the safety alert symbol.

This symbol alerts you to potential hazards that can kill or hurt you and others.

All safety messages will follow the safety alert symbol and either the word "DANGER" or "WARNING." These words mean:

⚠ DANGER

You can be killed or seriously injured if you don't immediately follow instructions.

⚠ WARNING

You can be killed or seriously injured if you don't follow instructions.

All safety messages will tell you what the potential hazard is, tell you how to reduce the chance of injury, and tell you what can happen if the instructions are not followed.

IMPORTANT SAFETY INSTRUCTIONS

WARNING: To reduce the risk of fire, electric shock, or injury to persons when using the washer, follow basic precautions, including the following:

- Read all instructions before using the washer.
- Do not wash articles that have been previously cleaned in, washed in, soaked in, or spotted with gasoline, dry-cleaning solvents, other flammable, or explosive substances as they give off vapors that could ignite or explode.
- Do not add gasoline, dry-cleaning solvents, or other flammable, or explosive substances to the wash water. These substances give off vapors that could ignite or explode.
- Under certain conditions, hydrogen gas may be produced in a hot water system that has not been used for 2 weeks or more. **HYDROGEN GAS IS EXPLOSIVE.** If the hot water system has not been used for such a period, before using the washing machine, turn on all hot water faucets and let the water flow from each for several minutes. This will release any accumulated hydrogen gas. As the gas is flammable, do not smoke or use an open flame during this time.
- Do not allow children to play on or in the washer. Close supervision of children is necessary when the washer is used near children.
- Before the washer is removed from service or discarded, remove the door or lid.
- Do not reach into the washer if the drum, tub or agitator is moving.
- Do not install or store the washer where it will be exposed to the weather.
- Do not tamper with controls.
- Do not repair or replace any part of the washer or attempt any servicing unless specifically recommended in this manual or in published user-repair instructions that you understand and have the skills to carry out.
- See "Electrical Requirements" located in the installation instructions for grounding instructions.

SAVE THESE INSTRUCTIONS

INSTALLATION REQUIREMENTS

Tools and Parts

Gather the required tools and parts before starting installation. The parts supplied are in the washer drum.

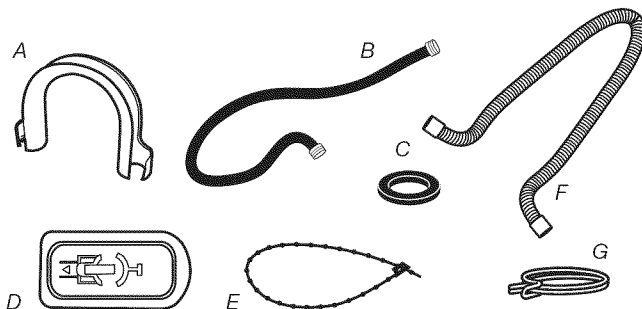
Tools needed for connecting the water inlet hoses

- Pliers (that open to 1⁹/₁₆" [39.5 mm])
- Flashlight (optional)

Tools needed for installation

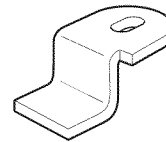
- Open end wrenches 1/2" and 9/16"
- Torx[†] T-20 Security screwdriver
- 1/4" nut driver
- Level
- Wood block
- Ruler or measuring tape

Parts supplied

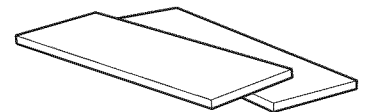


- A. U-shaped hose form
- B. Water inlet hoses (2)
- C. Inlet hose washers (4)
- D. Transit bolt hole plug (4)
- E. Beaded tie strap
- F. Drain hose
- G. Hose clamp

Parts supplied for PD Models:

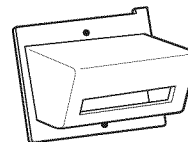


Service door lock cam



Foam pads

Parts supplied for PR Models:



Card reader bezel



Screws (2)

[†] TORX is a registered trademark of Saturn Fasteners, Inc.

Alternate Parts

Your installation may require additional parts. If you are interested in purchasing one of the items listed here, call the toll-free number in the "Assistance or Service" section.

If You Have	You Will Need to Buy
Laundry tub or standpipe taller than 96" (2.4 m)	Sump pump system (if not already available)
Overhead sewer	Standard 20 gal. (76 L), 30" (762 mm) tall drain tub or utility sink and sump pump (available from local plumbing suppliers)
Floor drain	Siphon break, Part Number 285834; additional drain hose, Part Number 8318155; and connector kit, Part Number 285835
Drain hose too short	4 ft (1.2 m) drain hose extension kit, Part Number 285863
Water faucets beyond reach of fill hoses	2 longer water fill hoses: 6 ft (1.8 m) Part Number 76314 10 ft (3.0 m) Part Number 350008

Accessories

Enhance your washer with these premium accessories.

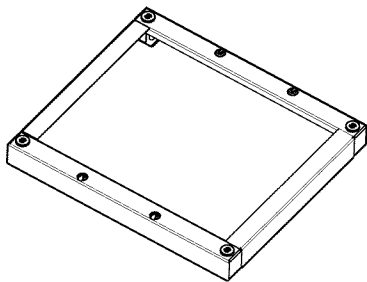
For more high-quality items or to order, call **1-800-901-2042**, or visit us at www.maytag.com/accessories. In Canada call: **1-800-807-6777** or visit us at www.whirlpoolparts.ca.

Part Number	Accessory
8212526	Washer drip tray, fits under all
31682	All purpose appliance cleaner
1903WH	Laundry supply storage cart

Options

Pedestal

You have the option of purchasing pedestals separately for this washer. The pedestal will add to the total height of the washer.



Optional pedestal

Pedestal Height	Approximate height with washer	Color	Model Number
27/8" (73 mm)	47.5" (1207 mm)	White	WHP0400VW

NOTE: Some models have pedestal pre-installed.

Location Requirements

Selecting the proper location for your washer improves performance and minimizes noise and possible washer "walk."

Your washer can be installed under a custom counter, or in a basement, laundry room, or recessed area. See "Drain System."

Companion appliance location requirements should also be considered. Proper installation is your responsibility.

You will need

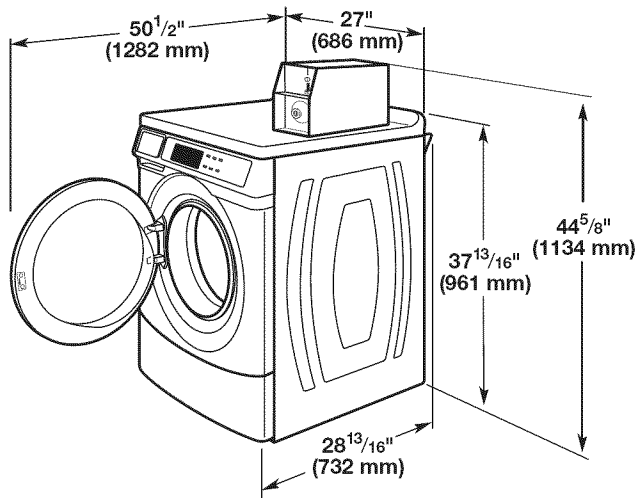
- A water heater set to deliver 120°F (49°C) water to the washer.
- A grounded electrical outlet located within 6 ft (1.8 m) of where the power cord is attached to the back of the washer. See "Electrical Requirements."
- Hot and cold water faucets located within 4 ft (1.2 m) of the hot and cold water fill valves, and water pressure of 20-100 psi (137.9-689.6 kPa).
- A level floor with a maximum slope of 1" (25 mm) under entire washer. Installing the washer on soft floor surfaces, such as carpets or surfaces with foam backing, is not recommended.
- A sturdy and solid floor to support the washer with a total weight (water and load) of 400 lbs (180 kg).

Do not operate your washer in temperatures below 32°F (0°C). Some water can remain in the washer and can cause damage in low temperatures.

Installation clearances

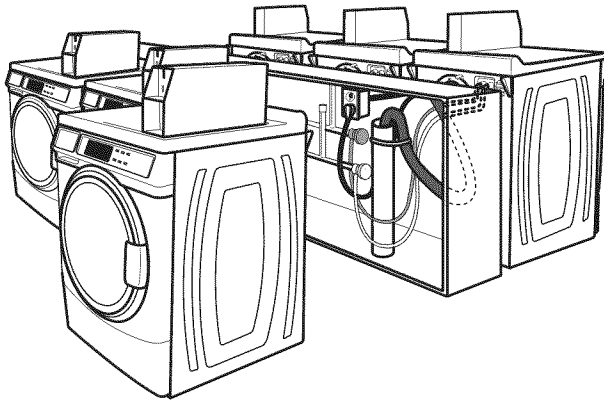
- The location must be large enough to allow the washer door to be fully opened.
- Additional spacing should be considered for ease of installation and servicing. The door opens more than 90° and it is not reversible.
- Additional clearances might be required for wall, door, and floor moldings.
- Additional spacing of 1" (25 mm) on all sides of the washer is recommended to reduce noise transfer.
- Companion appliance spacing should also be considered.

Washer Dimensions



Door is not reversible.

A floor drain should be provided under the bulkhead. Prefabricated bulkheads with electrical outlets, water inlet lines, and drain facilities should be used only where local codes permit.



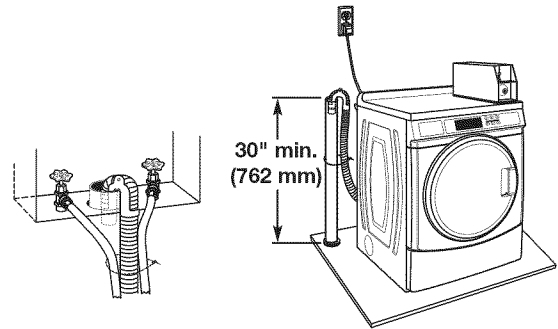
Drain System

The washer can be installed using the standpipe drain system (floor or wall), the laundry tub drain system, or the floor drain system. Select the drain hose installation method you need. See "Tools and Parts."

Standpipe drain system - wall or floor (views A & B)

The standpipe drain requires a minimum diameter standpipe of 2" (50 mm). The minimum carry-away capacity can be no less than 10 gal. (38 L) per minute.

The top of the standpipe must be at least 30" (762 mm) high and no higher than 96" (2.4 m) from the bottom of the washer.



A

B

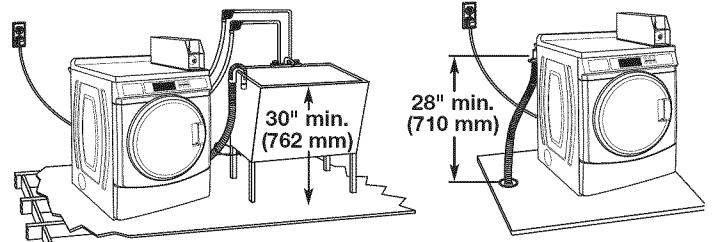
Laundry tub drain system (view C)

The laundry tub needs a minimum 20 gal. (76 L) capacity. The top of the laundry tub must be at least 30" (762 mm) above the floor.

Floor drain system (view D)

The floor drain system requires a siphon break that may be purchased separately. See "Tools and Parts."

The siphon break must be a minimum of 28" (710 mm) from the bottom of the washer. Additional hoses might be needed.



C

D

Electrical Requirements

⚠ WARNING



Electrical Shock Hazard

Plug into a grounded 3 prong outlet.

Do not remove ground prong.

Do not use an adapter.

Do not use an extension cord.

Failure to follow these instructions can result in death, fire, or electrical shock.

- A 120 volt, 60 Hz., AC only, 15- or 20-amp, fused electrical supply is required. A time-delay fuse or circuit breaker is recommended. It is recommended that a separate circuit serving only this washer be provided.
- This washer is equipped with a power supply cord having a 3 prong grounding plug.
- To minimize possible shock hazard, the cord must be plugged into a mating, 3 prong, grounding-type outlet, grounded in accordance with local codes and ordinances. If a mating outlet is not available, it is the personal responsibility and obligation of the customer to have the properly grounded outlet installed by a qualified electrician.
- If codes permit and a separate ground wire is used, it is recommended that a qualified electrician determine that the ground path is adequate.
- Do not ground to a gas pipe.
- Check with a qualified electrician if you are not sure the washer is properly grounded.

- Do not have a fuse in the neutral or ground circuit.

GROUNDING INSTRUCTIONS

For a grounded, cord-connected washer:

This washer must be grounded. In the event of a malfunction or breakdown, grounding will reduce the risk of electrical shock by providing a path of least resistance for electric current. This washer is equipped with a cord having an equipment-grounding conductor and a grounding plug. The plug must be plugged into an appropriate outlet that is properly installed and grounded in accordance with all local codes and ordinances.

WARNING: Improper connection of the equipment-grounding conductor can result in a risk of electric shock. Check with a qualified electrician or serviceman if you are in doubt as to whether the appliance is properly grounded.

Do not modify the plug provided with the appliance – if it will not fit the outlet, have a proper outlet installed by a qualified electrician.

For a permanently connected washer:

This washer must be connected to a grounded metal, permanent wiring system, or an equipment grounding conductor must be run with the circuit conductors and connected to the equipment-grounding terminal or lead on the appliance.

INSTALLATION INSTRUCTIONS

Remove Transport System

⚠ WARNING

Excessive Weight Hazard

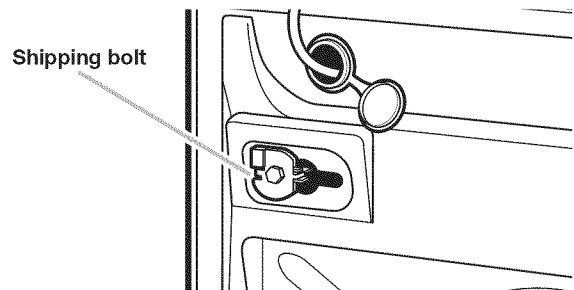
Use two or more people to move and install washer.

Failure to do so can result in back or other injury.

IMPORTANT: Position the washer so that the rear of the washer is within approximately 3 ft (900 mm) of its final location.

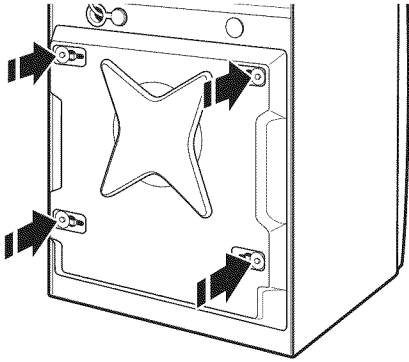
There are 4 shipping bolts in the rear panel of the washer that support the suspension system during transportation. These bolts also retain the power cord inside the washer until the bolts are removed.

1. Keep the washer in the upright position while removing the shipping bolts.

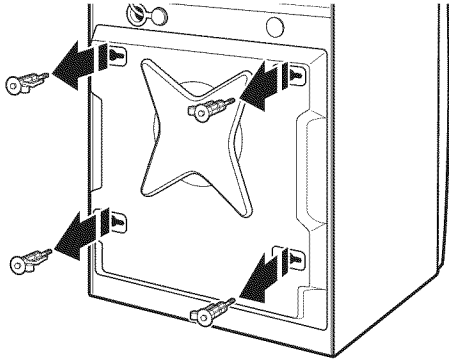


Shipping bolt with plastic spacer

- Using a 1/2" wrench, loosen each of the bolts.



- Once the bolt is loose, move it to the center of the hole and completely pull out the bolt, including the plastic spacer covering the bolt.



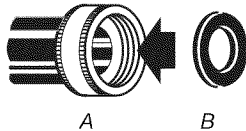
- Once all 4 bolts are removed, discard the bolts and spacers. Then push the power cord plug into the opening on the right side of the rear panel and pull the power cord through the opening on the left side of the rear panel and close holes with the attached cap. Do not pull plug end of power cord through the right side hole.

- Close the bolt holes with the 4 transport bolt hole plugs.

NOTE: If the washer is to be transported at a later date, call your product distributor or installer. To avoid suspension and structural damage, your washer must be properly set up for relocation by a trained professional.

Connect the Inlet Hoses

Insert new flat washers (supplied) into each end of the inlet hoses. Firmly seat the washers in the couplings.



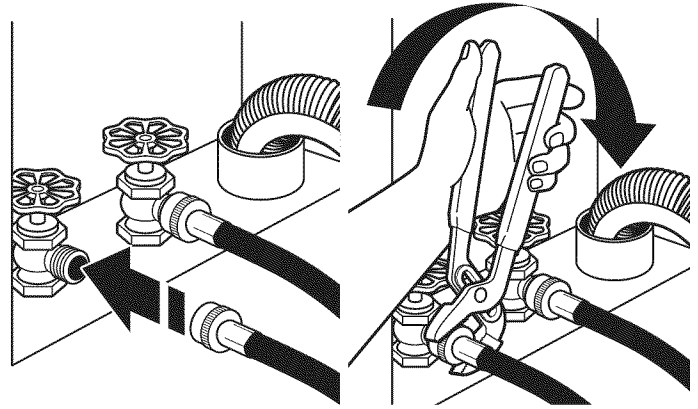
A. Coupling
B. Washer

Connect inlet hoses to water faucets

Make sure the washer drum is empty.

- Attach a hose to the hot water faucet. Screw on coupling by hand until it is seated on the washer.
- Attach a hose to the cold water faucet. Screw on coupling by hand until it is seated on the washer.

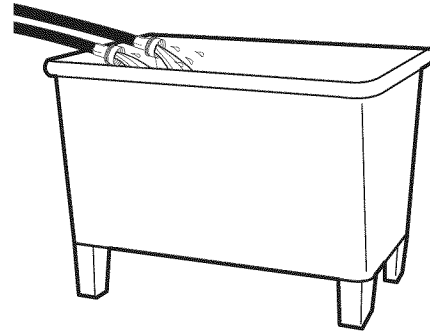
- Using pliers, tighten the couplings with an additional two-thirds turn.



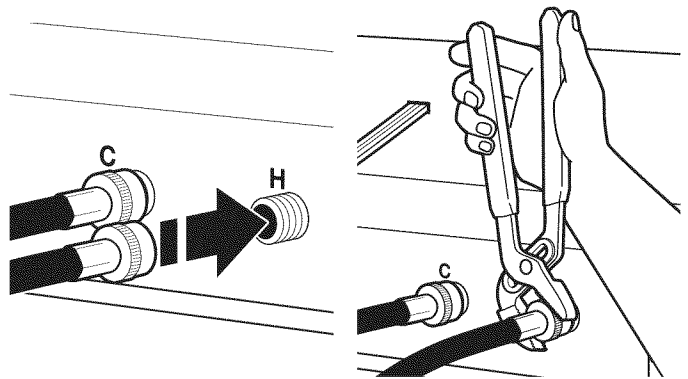
NOTE: Do not overtighten or use tape or sealants on the valve. Damage to the valves can result.

Clear water lines

- Run water through both faucets and inlet hoses, into a laundry tub, drainpipe, or bucket, to get rid of particles in the water lines that might clog the inlet valve screens.
- Check the temperature of the water to make sure that the hot water hose is connected to the hot water faucet and that the cold water hose is connected to the cold water faucet.



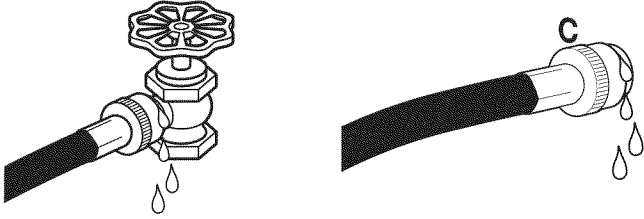
Connect inlet hoses to washer



C. Cold water inlet
H. Hot water inlet

- Attach the hot water hose to the washer's hot (H) water inlet valve. Screw on coupling by hand until it is seated on the washer.

- Attach the cold water hose to the washer's cold (C) water faucet. Screw on coupling by hand until it is seated on the washer.
 - Using pliers, tighten the couplings with an additional two-thirds turn.
- NOTE:** Do not overtighten. Damage to the coupling can result.
- Turn on the water faucets completely and check for leaks and at washer connection.



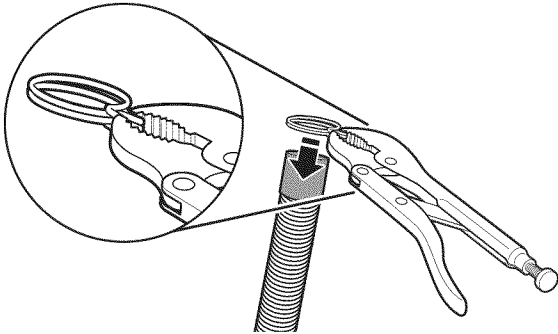
NOTE: Replace inlet hoses after 5 years of use to reduce the risk of hose failure. Record hose installation or replacement dates on the hoses for future reference.

Periodically inspect and replace hoses if bulges, kinks, cuts, wear, or leaks are found.

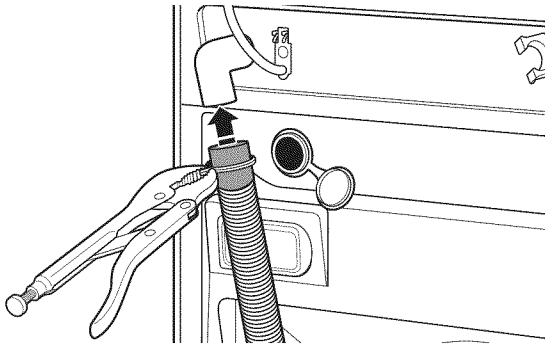
Connect the Drain Hose

Remove drain hose from washer drum

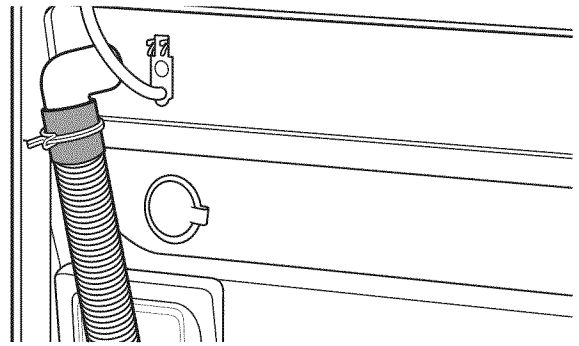
- Use locking pliers, squeeze hose clamp tabs together and insert over the end of drain hose.



- Slide drain hose onto washer connection.



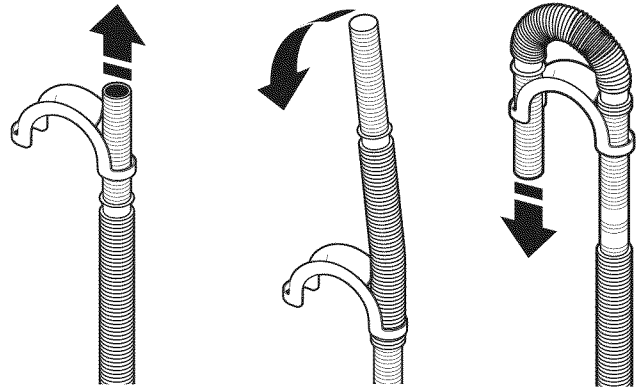
- Once drain hose is in place, release pliers.



Washer drain system can be installed using a floor drain, wall standpipe, floor standpipe, or laundry tub.

Laundry tub drain or standpipe drain

Connect the drain hose form to the corrugated drain hose.



To keep drain water from going back into the washer:

- Use the drain hose form, and do not force excess drain hose into standpipe. Hose should be secure, but loose enough to provide a gap for air.
- Do not lay excess hose on the bottom of the laundry tub.

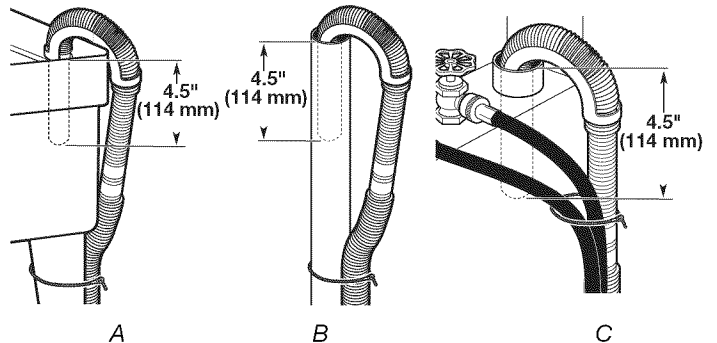
Floor drain

You may need additional parts. See Floor drain under "Tools and Parts."

Secure the Drain Hose

Drain hose must be secured to stop the hose from moving when water is pumped out. If the drain hose moves, water may end up on the floor.

- Drape the power cord over the washer top.
- Move the washer to its final location.
- Place the drain hose in the laundry tub or standpipe as shown. See illustrations A and B.



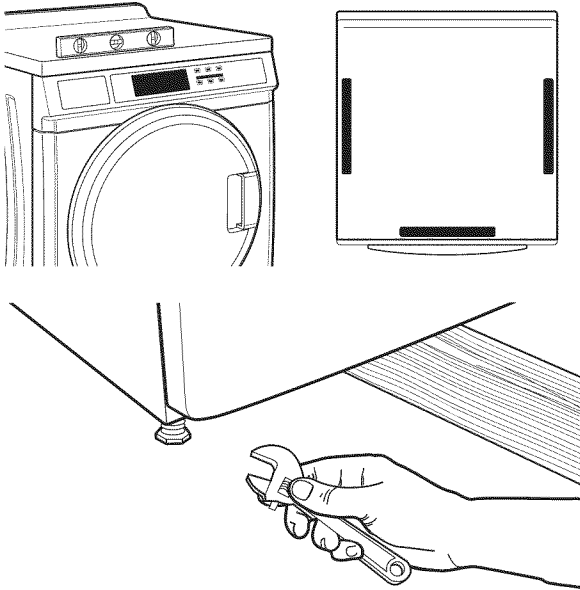
NOTES:

- Do not force excess drain hose back into the rear of the washer.
- To avoid siphoning, do not seal or put more than 4½" (114 mm) of the drain hose into drainpipe or standpipe.
- If the washer faucets and the drain standpipe are recessed, put the hooked end of the drain hose in the standpipe as shown. See illustration C.

Level the Washer

Properly leveling your washer avoids excessive noise and vibration.

1. Check the levelness of the washer by placing a level on the top edge of the washer, first side to side, then front to back.



If the washer is against a wall, move the washer out slightly before tipping back. If the washer is not level, first prop the front with a wood block and adjust the feet as necessary; then prop the back and adjust feet as necessary. Repeat this step until washer is level.

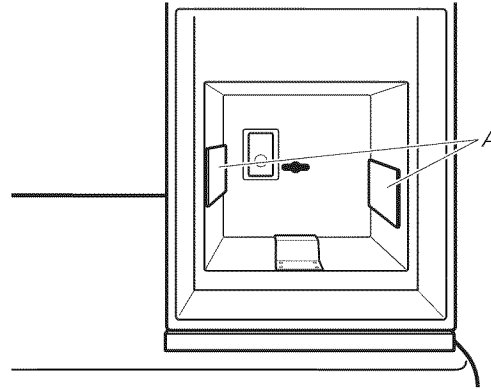
2. Make sure all four feet are stable and resting on the floor. Then check that the washer is level (use a level).
3. After the washer is level, use a 9/16" open-end wrench to turn the nuts on the feet tightly against the washer cabinet.
IMPORTANT: All four feet must be tightened. If the nuts are not tight against the washer cabinet, the washer may vibrate.
4. The washer should not move front to back, side to side, or diagonally when pushed on its top edges.
5. Slide the washer to its final location.
6. Confirm the levelness of the washer.

Installing Pad Strips

NOTE: For PD Models only.

1. Take the 2 foam pad strips from bag.
2. Remove the tape from the back of the adhesive pads.

3. Install the pads on the left and right inside walls of the coin vault, leaving about 1/4 to 1/2 inch of space near the front edge of the vault to allow room for the coin box to lock into position.



A. Foam pad strips

Complete Installation

1. Check the electrical requirements. Be sure that you have the correct electrical supply and the recommended grounding method. See "Electrical Requirements."
2. Check that all parts are now installed. If there is an extra part, go back through the steps to see which step was skipped.
3. Check that you have all of your tools.
4. Dispose of/recycle all packaging materials.
5. Check that the water faucets are on.
6. Check for leaks around faucets and inlet hoses.

⚠ WARNING



Electrical Shock Hazard

Plug into a grounded 3 prong outlet.

Do not remove ground prong.

Do not use an adapter.

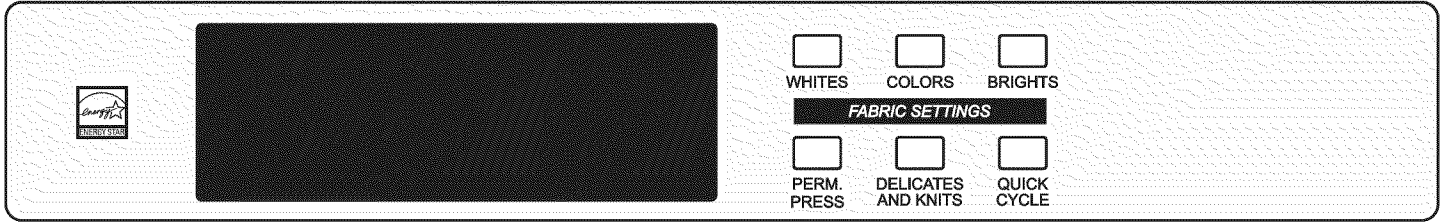
Do not use an extension cord.

Failure to follow these instructions can result in death, fire, or electrical shock.

7. Plug into a grounded 3 prong outlet.
8. To test and to clean your washer, measure 1/2 the detergent manufacturer's recommended amount of High Efficiency (HE) detergent for a medium-size load. Pour the detergent into the detergent dispenser. Select any cycle and allow the washer to complete one whole cycle.



USER & SET-UP INSTRUCTIONS



NOTE: After the washer has been installed and plugged in, the display will show '0 MINUTES'. Once the washer has been plugged in and the washer door opened and closed, the display will show the price. In washers set for free cycles, the display will flash 'SELECT CYCLE'.

1. PD Models: Insert coins until 'SELECT CYCLE' flashes in display.
PR Models: A debit card is required rather than coins. In Enhanced Debit mode, the card balance will also display when a debit card is inserted into the reader.
2. Door must be closed before cycle selection is made,
3. Press fabric setting button for the wash cycle desired. After the cycle is started, the time will display and count down.
4. If a cycle is interrupted by opening the door, 'RESELECT CYCLE' will flash in the display. To restart the washer, close door, and reselect desired cycle.

PRICING - After the door is opened following the completion of a cycle, the display indicates the cycle price (unless set for free operation). As coins are dropped or debit inputs arrive, the display will change to lead the user through the initiation of a cycle.

FREE CYCLES - This is established by setting the cycle price to zero. When this happens, 'SELECT CYCLE' will appear rather than a cycle price.

DEBIT CARD READY - This washer is debit card 'cable' ready. It will accept a variety of debit card systems, but does NOT come with a debit card reader. Refer to the debit card reader manufacturer for proper washer set-up. In models converted to a Generation 1 debit card system, debit pulses represent the equivalent of one coin (coin 1).

General User Information

SCROLLING 'OUT OF ORDER' SHOWING IN DISPLAY - This condition indicates the washer is inoperative.

"0 MINUTES" SHOWING IN DISPLAY - This indicates the cycle is complete and the washer cannot be operated. Coins dropped or debit inputs during this condition will be stored in escrow but cannot be used until normal operation is restored by opening and closing the door. If a door switch fails, it must be replaced before normal operation can be restored.

COLD START (Initial first use) - Washer is programmed at the factory as follows:

Washer	11-minute wash period
	3 rinses (extra rinse not enabled)
	\$1.75 wash price (PD models)
	\$0.00 wash price (PR models)

WARM START (after power failure) - A few seconds after power is restored, if a cycle was in progress at the time of the power failure, 'RESELECT CYCLE' will flash in the display, indicating the need for a key press to restart washer.

DOOR LOCK - Prior to beginning a cycle, there is a door lock routine of lock/unlock/relock then cycle begins. The door will remain locked until the end of a cycle or approximately 2 minutes after a power interruption.

Control Set-up Procedures

IMPORTANT: Read all instructions before operating.

PD Models: Insert service door key, turn, and lift to remove access door.

PR Models: Once the debit card reader is installed (according to the reader manufacturer's instructions), the set-up can be entered by inserting a set-up card (supplied by the reader manufacturer) into the card slot.

The lower fabric setting buttons and the digital display are used to set up the controls.

The display can contain 4 numbers and/or letters and a decimal point. These are used to indicate the set-up codes and related code values available for use in programming the washer.

HOW TO USE THE BUTTONS TO PROGRAM THE CONTROLS

1. PERM PRESS button is used to adjust the values associated with set-up codes. Pressing the button will change the value by increments. Rapid adjustment is possible by holding the button down.
2. DELICATES AND KNITS button will advance through the set-up codes. Pressing the button will advance to the next available set-up code. Holding the button down will automatically advance through the set-up codes at a rate of 1 per second.
3. QUICK CYCLE button is used to select or deselect options.

Start Operating Set-up

Before proceeding, it is worth noting that, despite all of the options available, an owner can simply choose to uncrate a new commercial washer, hook it up, plug it in, and have a washer that operates.

Washers are preset at the factory for a 11-minute wash period and 3 rinses (no extra rinse).

SET-UP CODES

The DELICATES AND KNITS button will advance from code to code. The PERM PRESS button will change the code value. The QUICK CYCLE button will select or deselect options.

FOR PR MODELS: The set-up codes are the same as for the "PD" model except where noted.

The set-up code is indicated by the one or two left-hand characters. The set-up code value is indicated by the two or three right-hand characters.

CODE	EXPLANATION
6 07	REGULAR CYCLE PRICE (Factory Default)
6 07	Represents the number of quarters (coin 1); may adjust from 0-39. (See VALUE OF COIN 1.) Advance from 0-39 by pressing the PERM PRESS button. Factory default of 7 quarters = \$1.75.
6 00	PR MODELS ONLY: Factory default of 0 quarters. 6 01 setting would represent one coin slide actuation.
→	Press the DELICATES AND KNITS button once to advance to next code.
7 11	WASH LENGTH
7 11	This is the number of minutes for WASH. Washer comes from the factory preset with 11 minutes. Choose from 9-17 minutes by pressing the PERM PRESS button.
→	Press the DELICATES AND KNITS button once to advance to next code.
	NOTE: This option does not apply to QUICK CYCLE.
8 00	ADDITIONAL RINSE OPTION
	This option is either SELECTED 'ON' or NOT SELECTED 'OFF'.
8 00	Not Selected 'OFF'.
8 Ar	Selected 'ON'. Cannot be combined with the Super Cycle rinse option.
	Press the QUICK CYCLE button once for this selection.
→	Press the DELICATES AND KNITS button once to advance to next code.
9 00	CYCLE COUNTER OPTION
	This option is either SELECTED 'ON' or NOT SELECTED 'OFF'.
9 00	Not Selected 'OFF'.
9 0C	Selected 'ON' and not able to be deselected. Press the QUICK CYCLE button 3 consecutive times to select 'ON'. Once selected 'ON' it cannot be deselected.
→	Press the DELICATES AND KNITS button once to advance to next code.

CODE	EXPLANATION
1. 00	MONEY COUNTER OPTION
	This option is either SELECTED 'ON' or NOT SELECTED 'OFF'.
1. 00	Not Selected 'OFF'.
1. 0C	Selected 'ON'.
	Press the QUICK CYCLE button 3 consecutive times to select 'ON' and 3 consecutive times to remove (Not Selected 'OFF'). Counter resets by going from 'OFF' to 'ON'.
1. C0	Selected 'ON' and not able to be deselected. To select 'ON' and not able to be deselected, first select 'ON,' then within 2 seconds, press the QUICK CYCLE twice, the PERM PRESS once, and exit set-up mode.
→	Press the DELICATES AND KNITS button once to advance to next code.
2. 00	SPECIAL PRICING OPTIONS
	This option is either SELECTED 'ON' or NOT SELECTED 'OFF'.
2. 00	Not Selected 'OFF', and next available code will be A.00
2. SP	Selected 'ON'. Press the QUICK CYCLE button once for this selection.
If SPECIAL PRICING OPTION is selected, there is access to codes '3.XX' through '9.XX'.	
→	Press the DELICATES AND KNITS button once to advance to next code.

Options to use if SPECIAL PRICING is selected.

3. 07	SPECIAL CYCLE PRICE
3. 07	Represents the number of quarters (coin 1); may adjust from 0-39. (See VALUE OF COIN 1.) Advance from 0-39 by pressing the PERM PRESS button. Factory default of 7 quarters = \$1.75
3. 00	PR MODELS ONLY: Factory default of 0 quarters.
→	Press the DELICATES AND KNITS button once to advance to next code.
5. 00	TIME-OF-DAY CLOCK, MINUTES
5. 00	This is the TIME-OF-DAY CLOCK, minute setting; select 0-59 minutes by pressing the PERM PRESS button.
→	Press the DELICATES AND KNITS button once to advance to next code.
6. 00	TIME-OF-DAY CLOCK, HOURS
	NOTE: Uses military time or 24 hr. clock
6. 00	This is the TIME-OF-DAY CLOCK, hour setting; select 0-23 hours by pressing the PERM PRESS button.
→	Press the DELICATES AND KNITS button once to advance to next code.
7. 00	SPECIAL PRICE START HOUR
	NOTE: Uses military time or 24 hr. clock
7. 00	This is the start hour; 0-23 hours. Select START HOUR by pressing the PERM PRESS button.
→	Press the DELICATES AND KNITS button once to advance to next code.

CODE	EXPLANATION
8.00	SPECIAL PRICE STOP HOUR NOTE: Uses military time or 24 hr. clock
8.00	This is the stop hour; 0-23 hours. Select STOP HOUR by pressing the PERM PRESS button. → Press the DELICATES AND KNITS button once to advance to next code.
9.10	SPECIAL PRICE DAY
9.10	This represents the day of the week and whether special pricing is selected for that day. A number followed by '0' indicates no selection that particular day (9.10). A number followed by an 'S' indicates selected for that day (9.1S). To change the value of '0' and 'S', use the QUICK CYCLE button. Days of the week (1-7) are selected by pressing the PERM PRESS button.

When exiting set-up code '9', the display must show current day of week:

DISPLAY	DAY OF WEEK	CODE (selected)
10	Day 1= Sunday	1S
20	Day 2= Monday	2S
30	Day 3= Tuesday	3S
40	Day 4= Wednesday	4S
50	Day 5= Thursday	5S
60	Day 6= Friday	6S
70	Day 7= Saturday	7S

→ Press the DELICATES AND KNITS button once to advance to next code

CODE	EXPLANATION
A.00	VAULT VIEWING OPTION This option is either SELECTED 'ON' or NOT SELECTED 'OFF'.
A.00	Not Selected 'OFF'.
A.SC	Selected 'ON'. Press the QUICK CYCLE button once for this selection. When selected, the money and/or cycle counts will be viewable (if counter option(s) is selected) when the coin box is removed. → Press the DELICATES AND KNITS button once to advance to next code.
b.05	VALUE OF COIN 1
b.05	This represents the value of coin 1 in number of nickels: 05 = \$0.25. By pressing the PERM PRESS button, there is a option of 1-199 nickels. → Press the DELICATES AND KNITS button once to advance to next code.
C.20	VALUE OF COIN 2
C.20	This represents the value of coin 2 in number of nickels: 20 = \$1.00.
C.05	PR MODELS ONLY: Factory default of \$0.25 By pressing the PERM PRESS button, there is the option of 1-199 nickels. → Press the DELICATES AND KNITS button once to advance to next code.

CODE	EXPLANATION
d.00	COIN SLIDE OPTION This option is either SELECTED 'ON' or NOT SELECTED 'OFF'. Replacement of meter case will be needed for coin slide mounting.
d.00	Not Selected 'OFF'.
d.CS	Selected 'ON'. NOTE: This option needs to be set to "00" unless the meter case has been changed to accept a coin slide device. Press the QUICK CYCLE button 3 consecutive times for this selection. When coin slide mode is selected, set 'b'. equal to value of vend price in nickels. Set set-up code 6 xx (regular cycle price) and set-up code 3.xx (special cycle price) to number of slide operations. If the installer sets-up 'CS' and a coin drop mechanism is installed, the washer will not register coins that are inserted. → Press the DELICATES AND KNITS button once to advance to next code.
E.00	ADD COINS OPTION This option is either SELECTED 'ON' or NOT SELECTED 'OFF'. This option causes the customer display to show the number of coins (coin 1) to enter, rather than the dollars-and-cents amount.
E.00	Not Selected 'OFF'.
E.AC	Selected 'ON'. Press the QUICK CYCLE button 3 consecutive times for this selection. → Press the DELICATES AND KNITS button once to advance to next code.
F.00	ENHANCED PRICING OPTION
F.00	Not Selected 'OFF'.
F.CP	Cycle-Based pricing enabled. This option allows configuration of different prices for cold, warm, and hot water cycles.
F.SU	Super Cycle pricing enabled. This option allows customers to upgrade cycles by depositing extra money. Set-up codes 'H.' and 'h.' will be displayed only when this option is enabled. Press the QUICK CYCLE button for this selection. → Press the DELICATES AND KNITS button once to advance to next code.
H.01	SUPER CYCLE UPGRADE PRICE (Skipped unless Super Cycle pricing is enabled.)
H.01	This represents the number of coin 1 required to upgrade a base cycle to a super cycle. Advance from 0-39 by pressing the PERM PRESS button. → Press the DELICATES AND KNITS button once to advance to next code.
h.01	SUPER CYCLE TYPE (Skipped unless Super Cycle pricing is enabled.)
h.01	This represents the Super Cycle upgrade option. Press the PERM PRESS button to step through upgrade options 1 through 3 as follows: 01 - enhanced wash, extra 3 minutes of wash tumble in addition to the programmed wash time. 02 - extra rinse for all cycles. 03 - both 01 and 02. → Press the DELICATES AND KNITS button once to advance to next code.

CODE	EXPLANATION
J. Cd	COIN/DEBIT OPTION
J. Cd	Both coin and debit selected. Press the QUICK CYCLE button 3 consecutive times to change this selection.
J. C_	Coins selected, debit disabled. Press the QUICK CYCLE button 3 consecutive times to change this selection.
J. _d	PR models factory default to J._d. Debit Card selected, coins disabled. Press the QUICK CYCLE button 3 consecutive times to change this selection.
J. Ed	Enhanced Debit is self-selected when a Generation 2 card reader is installed in the washer. The Ed option cannot be manually selected or deselected.
→	Press the DELICATES AND KNITS button once to advance to next code.
L. 00	PRICE SUPPRESSION OPTION
	This option causes the customer display to show 'ADD' or 'AVAILABLE' rather than the amount of money to add. (Used mainly in debit installations.)
L. 00	Not Selected 'OFF'.
L. PS	PS Selected 'ON'. Press the QUICK CYCLE button once for this selection.
→	Press the DELICATES AND KNITS button once to advance to next code.
n. CE	CLEAR ESCROW OPTION
	When selected, money held in escrow for 30 minutes without further escrow or cycle activity will be cleared.
n. 00	Not Selected 'OFF'.
n. CE	Selected 'ON'. Press the QUICK CYCLE button once for this selection.
→	Press the DELICATES AND KNITS button once to advance to next code.
r. 800	TOP SPIN SPEED RPM
r. 800	This can be selected from the following spin speeds: 600 rpm, 750 rpm, 800 rpm, 1000 (displays as 999) rpm. Step between speeds by pressing the PERM PRESS button. Factory default of 800 rpm.
→	Press the DELICATES AND KNITS button once to advance to next code.
U. 00	PENNY INCREMENT OFFSET
U. 00	This represents the penny increment price offset used in Generation 2 (Enhanced Debit) PR models. Choose from 0-4 pennies by pressing the PERM PRESS button.
→	Press the DELICATES AND KNITS button once to advance to next code.
A1. 00	PREWASH LENGTH
A1. 00	This is the number of minutes of PREWASH. Choose 0 to disable the prewash or select between 2 and 7 minutes by pressing the PERM PRESS button.
→	Press the DELICATES AND KNITS button once to advance to next code.

CODE	EXPLANATION
A2. 03	FINAL SPIN LENGTH
A2. 03	This is the number of minutes of final high speed spin. Choose from 3-8 minutes by pressing the PERM PRESS button.
→	Press the DELICATES AND KNITS button once to advance to next code.

If cycle counter (9 0C) is selected, the following is true:

1 00	Number of cycles in HUNDREDS	1 <u>02</u> = 200
2 00	Number of cycles in ONES	2 <u>25</u> = 25

TOTAL CYCLES = 225

This is "VIEW ONLY" and cannot be cleared.

Press the DELICATES AND KNITS button once to advance to next code.

If money counter (1.0C or 1.C0) is selected, the following is true:

3 00	Number of dollars in HUNDREDS	3 <u>01</u> = \$100.00
4 00	Number of dollars in ONES	4 <u>68</u> = \$ 68.00
5 00	Number of CENTS.	5 <u>75</u> = \$.75

Total = \$168.75

END of SET-UP PROCEDURES.

EXIT FROM SET-UP MODE

PD Models: Reinstall access door.

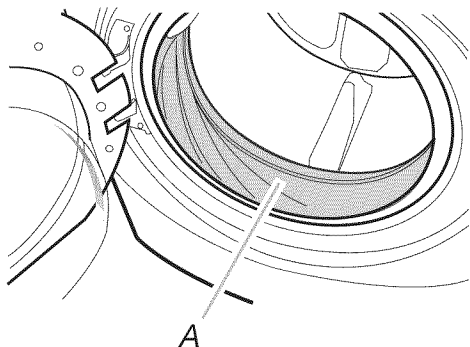
PR Model: Remove manual set-up cards.

WASHER CARE

Cleaning Your Washer

Cleaning the Door Seal/Bellow

1. Open the washer door and remove any clothing or items from the washer.
2. Inspect inner glass door. If debris is present, wipe off debris using damp cloth.
3. Inspect the colored seal/bellow between the door opening and the basket for stained areas. Pull back the seal/bellow to inspect all areas under the seal/bellow and to check for foreign objects.



A. Seal/Bellow

4. If stained areas are found, wipe down these areas of the seal/bellow, using the procedure that follows.
 - a) Mix a dilute solution, using 3/4 cup (177 mL) of liquid chlorine bleach, and 1 gal. (3.8 L) of warm tap water.
 - b) Wipe the seal/bellow area with the dilute solution, using a damp cloth.
 - c) Let stand 5 minutes.
 - d) Wipe down area thoroughly with a dry cloth and let the washer interior air dry with door open.

IMPORTANT:

- Wear rubber gloves when cleaning for prolonged periods.
- Refer to the bleach manufacturer's instructions for proper use.

Washer Maintenance Procedure

This washer has a special cycle that uses higher water volumes in combination with liquid chlorine bleach to thoroughly clean the inside of the washer.

NOTES:

- Read these instructions completely before beginning the cleaning process.
- If necessary, the cleaning cycle may be interrupted by pressing the QUICK CYCLE button twice. However, this will not immediately stop the cycle. The washer will continue with several rinse and drain steps to ensure that all remaining bleach is rinsed from the washer.

Begin procedure

1. Open the washer door and remove any clothing or items from the washer.
2. **Use liquid chlorine bleach:**
Open the dispenser drawer and immediately add 2/3 cup (160 mL) of liquid chlorine bleach to the bleach compartment.
NOTE: Do not add any detergent to this cycle. Use of more than 2/3 cup (160 mL) of bleach will cause product damage over time.
3. Close the washer door and the dispenser drawer.
4. To start the Washer Cleanout cycle, first enter "Start Operating Set-up." Then press and hold QUICK CYCLE for 1 second. With the entire display flashing, press BRIGHTS.
NOTE: The door will lock, the basket will rotate 1/2 turn, then the door will unlock and lock again, then the Washer Cleanout Cycle will continue.
 - The washer will not fill, but the basket will rotate while the washer runs a short sensing cycle. This will take approximately 3 minutes.
5. The cycle will determine whether clothing or other items are in the washer.
 - a) If no items are detected in the washer, it will proceed to Step 7.
 - b) If any items are detected in the washer, "rL" or "F-34" will be displayed. Then the door will unlock.
 - Press QUICK CYCLE to cancel the failure code. Then repeat steps 1, 3, and 4 to start the cycle again.
6. Once the cycle has begun, allow the cycle to complete.
7. After the cycle is complete, leave the door open slightly, to allow for better ventilation and drying of washer interior.

Always do the following to maintain washer freshness

- Use only HE High Efficiency detergent.
- Leave the door slightly open after each cycle to allow for better ventilation and drying of washer interior.
- Clean the washer monthly using the Washer Maintenance Procedure, using 2/3 cup (160 mL) of liquid chlorine bleach.
- If the procedure does not sufficiently improve the washer freshness, please evaluate your installation and usage conditions for other causes.

Cleaning the exterior

Use a soft damp cloth or sponge to wipe up any spills. Occasionally wipe the outside of your washer to keep it looking new. Use mild soap and water. Do not use abrasive products.

Cleaning the dispenser drawer

The dispenser drawer is removable for easy cleaning.

1. Unlock the dispenser drawer by pressing the Release Lever. Remove the drawer.
2. Remove the inserts (the siphon from the softener and bleach compartments).
3. Wash the parts under running water.
NOTE: Do not wash components in the dishwasher.
4. Replace the inserts and return the dispenser to the drawer.

Water Inlet Hoses

Replace inlet hoses after 5 years of use to reduce the risk of hose failure. Periodically inspect and replace inlet hoses if bulges, kinks, cuts, wear, or leaks are found.

When replacing your inlet hoses, record the date of replacement.

ASSISTANCE OR SERVICE

If you need assistance:

Contact the distributor where the washer was purchased; or locate an authorized Maytag Commercial Laundry distributor visit www.maytagcommerciallaundry.com.

When you call, have the washer model number and serial number. Both numbers can be found on the serial-rating plate located on your washer.

MAYTAG® COMMERCIAL SINGLE-LOAD AND VENDED MULTI-LOAD WASHER & DRYER WARRANTY

LIMITED WARRANTY ON PARTS

For the first five years from the date of purchase, when this commercial appliance is installed, maintained and operated according to the instructions attached to or furnished with the product, Maytag brand of Whirlpool Corporation (hereafter "Maytag") will pay for factory specified parts or original equipment manufacturer parts to correct defects in materials or workmanship. Proof of original purchase date is required to obtain service under this warranty.

ITEMS MAYTAG WILL NOT PAY FOR

1. All other costs including labor, transportation, or custom duties.
 2. Service calls to correct the installation of your commercial appliance, to instruct you how to use your commercial appliance, to replace or repair fuses, or to correct external wiring or plumbing.
 3. Repairs when your commercial appliance is used for other than normal, commercial use.
 4. Damage resulting from improper handling of product during delivery, theft, accident, alteration, misuse, abuse, fire, flood, acts of God, improper installation, installation not in accordance with local electrical or plumbing codes, or use of products not approved by Maytag.
 5. Pickup and Delivery. This commercial appliance is designed to be repaired on location.
 6. Repairs to parts or systems resulting from unauthorized modifications made to the commercial appliance.
 7. The removal and reinstallation of your commercial appliance if it is installed in an inaccessible location or is not installed in accordance with published installation instructions.
 8. Chemical damage is excluded from all warranty coverage.
 9. Changes to the building, room, or location needed in order to make the commercial appliance operate correctly.
 10. Repairs made by a non-Whirlpool authorized service technician.
-

DISCLAIMER OF IMPLIED WARRANTIES; LIMITATIONS OF REMEDIES

CUSTOMER'S SOLE AND EXCLUSIVE REMEDY UNDER THIS LIMITED WARRANTY SHALL BE PRODUCT REPAIR AS PROVIDED HEREIN. IMPLIED WARRANTIES, INCLUDING WARRANTIES OF MERCHANTABILITY OR FITNESS FOR A PARTICULAR PURPOSE, ARE LIMITED TO ONE YEAR OR THE SHORTEST PERIOD ALLOWED BY LAW. WHIRLPOOL SHALL NOT BE LIABLE FOR INCIDENTAL OR CONSEQUENTIAL DAMAGES. SOME STATES AND PROVINCES DO NOT ALLOW THE EXCLUSION OR LIMITATION OF INCIDENTAL OR CONSEQUENTIAL DAMAGES, OR LIMITATIONS ON THE DURATION OF IMPLIED WARRANTIES OF MERCHANTABILITY OR FITNESS, SO THESE EXCLUSIONS OR LIMITATIONS MAY NOT APPLY TO YOU. THIS WARRANTY GIVES YOU SPECIFIC LEGAL RIGHTS AND YOU MAY ALSO HAVE OTHER RIGHTS, WHICH VARY FROM STATE TO STATE OR PROVINCE TO PROVINCE.

If you need service, please contact your authorized Maytag® Commercial Laundry distributor. To locate your authorized Maytag® Commercial Laundry distributor, or for web inquiries, visit www.MaytagCommercialLaundry.com.

3/10

For written correspondence:
Maytag® Commercial Laundry Service Department
2000 M-63 North
Benton Harbor, Michigan 49022 USA

SÉCURITÉ DE LA LAVEUSE

Votre sécurité et celle des autres est très importante.

Nous donnons de nombreux messages de sécurité importants dans ce manuel et sur votre appareil ménager. Assurez-vous de toujours lire tous les messages de sécurité et de vous y conformer.



Voici le symbole d'alerte de sécurité.

Ce symbole d'alerte de sécurité vous signale les dangers potentiels de décès et de blessures graves à vous et à d'autres.

Tous les messages de sécurité suivront le symbole d'alerte de sécurité et le mot "DANGER" ou "AVERTISSEMENT". Ces mots signifient :

⚠ DANGER

Risque possible de décès ou de blessure grave si vous ne suivez pas immédiatement les instructions.

⚠ AVERTISSEMENT

Risque possible de décès ou de blessure grave si vous ne suivez pas les instructions.

Tous les messages de sécurité vous diront quel est le danger potentiel et vous disent comment réduire le risque de blessure et ce qui peut se produire en cas de non-respect des instructions.

IMPORTANTES INSTRUCTIONS DE SÉCURITÉ

AVERTISSEMENT : Pour réduire les risques d'incendie, de choc électrique ou de blessures lors de l'utilisation de la laveuse, suivre les précautions fondamentales dont les suivantes :

- Lire toutes les instructions avant d'utiliser la laveuse.
- Ne pas laver des articles qui ont été nettoyés ou lavés avec de l'essence ou imbibés d'essence, solvants de nettoyage à sec, ou autres substances inflammables ou explosives; ces substances peuvent émettre des vapeurs susceptibles de s'enflammer ou d'exploser.
- Ne pas ajouter d'essence, solvant de nettoyage à sec ou autre produit inflammable ou explosif dans l'eau de lavage. Ces substances peuvent émettre des vapeurs susceptibles de s'enflammer ou d'exploser.
- Dans certaines conditions, de l'hydrogène gazeux peut se former dans un circuit d'eau chaude qui n'a pas été utilisé pendant 2 semaines ou plus. LE GAZ HYDROGÈNE EST EXPLOSIBLE. Si le circuit d'eau chaude n'a pas été utilisé pendant une telle période, avant d'utiliser la laveuse, ouvrir tous les robinets d'eau chaude et laisser l'eau s'écouler pendant plusieurs minutes par chaque robinet. Ceci permettra l'évacuation de l'hydrogène gazeux accumulé. Comme ce gaz est inflammable, ne pas fumer ou utiliser une flamme nue au cours de cette période.
- Ne pas laisser des enfants jouer sur ou à l'intérieur de la laveuse. Bien surveiller les enfants lorsque la laveuse est utilisée à proximité d'enfants.
- Avant de mettre la laveuse au rebut ou hors de service, enlever la porte ou le couvercle.
- Ne pas tenter d'atteindre un article à l'intérieur de la cuve de la laveuse lorsque le tambour, la cuve ou l'agitateur est en mouvement.
- Ne pas installer ou remiser cette laveuse à un endroit où elle serait exposée aux intempéries.
- Ne pas modifier les organes de commande.
- Ne pas réparer ou remplacer un composant quelconque de la laveuse, ni entreprendre une opération de service, si ce n'est spécifiquement recommandé dans ce manuel ou dans un manuel d'instructions de réparations destiné à l'utilisateur; il est alors essentiel que la personne concernée comprenne ces instructions et soit compétente pour les exécuter.
- Pour les instructions de liaison à la terre, voir "Spécifications électriques" dans les instructions d'installation.

CONSERVEZ CES INSTRUCTIONS

EXIGENCES D'INSTALLATION

Outillage et pièces

Rassembler les outils et pièces nécessaires avant de commencer l'installation. Les pièces fournies se trouvent dans le tambour de la laveuse.

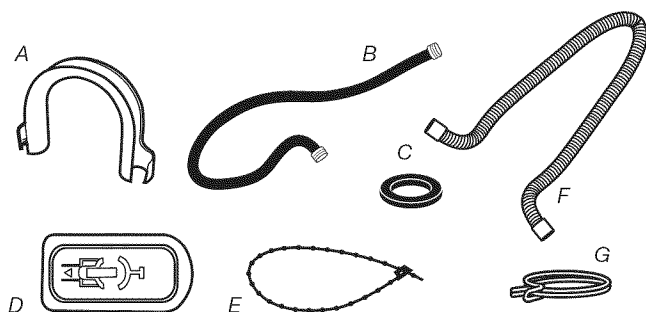
Outils nécessaires au raccordement des tuyaux d'arrivée d'eau

- Pince (ouverture jusqu'à 1 9/16" [39,5 mm])
- Lampe de poche (facultative)

Outils nécessaires à l'installation

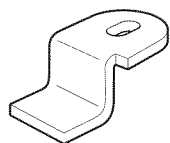
- Clés plates de 1/2" et 9/16"
- Niveau
- Tournevis de sécurité Torx [†] T-20
- Tourne-écrou de 1/4"
- Cale en bois
- Règle ou mètre ruban

Pièces fournies

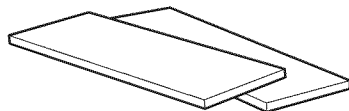


- A. Bride de retenue pour tuyau de vidange (en forme de U)
 B. Tuyaux d'arrivée d'eau (2)
 C. Rondelles pour tuyau d'arrivée d'eau (4)
 D. Bouchons pour les trous des boulons de transport (4)
 E. Courroie perlée
 F. Tuyau de vidange
 G. Bride de tuyau

Pièces fournies pour les modèles PD :

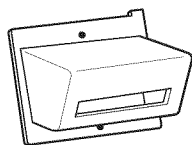


Came de verrouillage de la porte de service



Bandes de protection

Pièces fournies pour les modèles PR :



Biseau de lecteur de carte



Vis (2)

Autres pièces

Il se peut que l'installation nécessite des pièces supplémentaires. Pour acheter l'un des articles indiqués ici, composer le numéro sans frais indiqué sur la couverture ou à la section "Assistance ou service".

Si vous avez	Vous devrez acheter
Évier de buanderie ou tuyau rigide de rejet à l'égout plus haut que 96" (2,4 m)	Système de pompe de puisard (si non déjà disponible)
Égout surélevé	Évier de vidange standard de 20 gal. (76 L) de 30" (762 mm) de hauteur ou évier utilitaire et pompe de puisard (disponibles chez votre fournisseur local d'articles de plomberie)
Égout au plancher	Brise-siphon, pièce n° 285834; tuyau de vidange additionnel, pièce n° 8318155; et ensemble de connexion, pièce n° 285835
Tuyau de vidange trop court	Trousse de rallonge du tuyau de vidange de 4 pi (1,2 m), pièce n° 285863
Robinets d'eau hors d'atteinte des tuyaux d'admission	2 tuyaux d'admission d'eau plus longs : 6 pi (1,8 m), pièce n° 76314 10 pi (3 m), pièce n° 350008

Accessoires

Vous pouvez faciliter l'utilisation de votre laveuse avec ces accessoires de première qualité.

Pour vous informer au sujet des autres articles de qualité ou pour commander, composez le **1-800-901-2042** ou consultez le site www.maytag.com/accessories. Au Canada, composez le **1-800-807-6777** ou consultez le site Internet www.whirlpoolparts.ca.

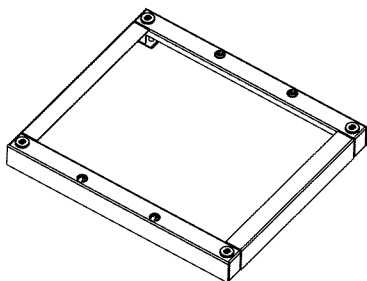
Produit numéro	Accessoire
8212526	Plateau d'égouttement de la laveuse, convient à tous les modèles
31682	Produit de nettoyage polyvalent pour appareils ménagers
1903WH	Casier de rangement de fournitures de buanderie

[†]® TORX est une marque déposée de Saturn Fasteners, Inc.

Options

Piédestal

Vous avez la possibilité d'acheter des piédestaux séparément pour cette laveuse. Le piédestal augmentera la taille totale de la laveuse.



Piédestal facultatif

Hauteur du piédestal	Hauteur approximative avec laveuse	Couleur	Numéro de modèle
2 ⁷ / ₈ " (73 mm)	47,5" (1207 mm)	Blanc	WHP0400VW

REMARQUE : Sur certains modèles, un piédestal est déjà installé.

Exigences d'emplacement

Le choix d'un emplacement approprié pour la laveuse en améliore le rendement et réduit au minimum le bruit et le "déplacement" possible de la laveuse.

La laveuse peut être installée sous un comptoir personnalisé, dans un sous-sol, une salle de buanderie ou un encastrement. Voir "Système de vidange".

Il faut aussi prendre en compte les exigences d'emplacement des appareils voisins. C'est à l'utilisateur qu'incombe la responsabilité de réaliser une installation correcte.

Il vous faudra

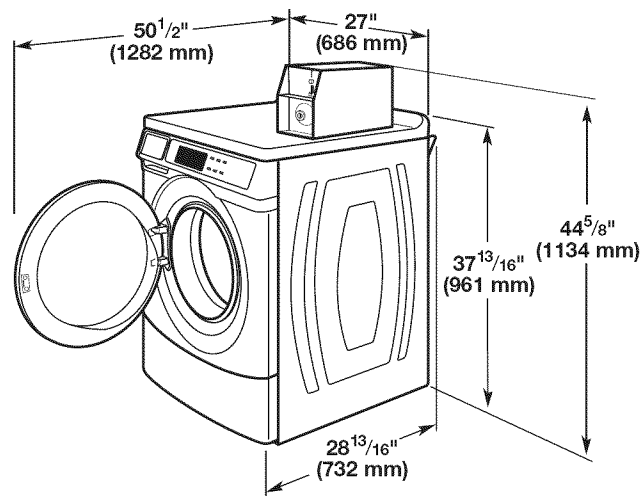
- Un chauffe-eau configuré pour fournir de l'eau à 120°F (49°C) à la laveuse.
- Une prise électrique reliée à la terre située à moins de 6 pi (1,8 m) du cordon d'alimentation électrique fixé à l'arrière de la laveuse. Voir "Spécifications électriques".
- Des robinets d'eau chaude et d'eau froide situés à moins de 4 pi (1,2 m) des robinets d'admission d'eau chaude et d'eau froide et une pression d'eau de 20-100 lb/po² (137,9-689,6 kPa).
- Un plancher de niveau ayant une pente maximale de 1" (25 mm) sous l'ensemble de la laveuse. L'installation de la laveuse sur des surfaces de sol molles, telles que tapis ou surfaces avec sous-couche en mousse n'est pas recommandée.
- Un plancher robuste et solide capable de soutenir le poids total de la laveuse (eau et charge) de 400 lb (180 kg).

Ne pas faire fonctionner la laveuse à des températures inférieures à 32°F (0°C). Une quantité d'eau peut demeurer dans la laveuse et causer des dommages à des températures basses.

Dégagements de séparation à respecter

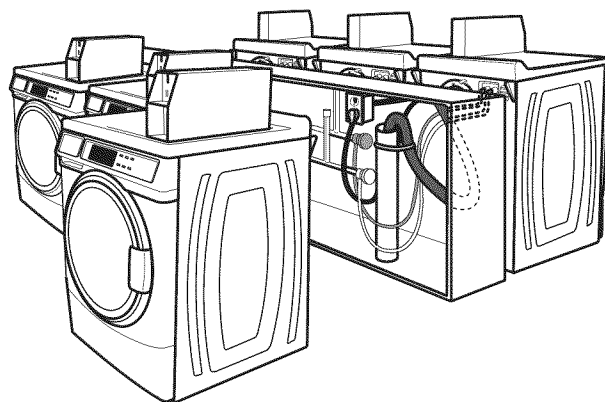
- L'emplacement doit être assez grand pour permettre d'ouvrir complètement la porte de la laveuse.
- Prévoir davantage d'espace pour faciliter l'installation et l'entretien. La porte s'ouvre à plus de 90° et n'est pas réversible.
- Un espace supplémentaire peut être requis pour les moulures de porte et de plancher et pour les plinthes.
- Un espace supplémentaire de 1" (25 mm) de tous les côtés de la laveuse est recommandé pour réduire le transfert du bruit.
- Il faut aussi prendre en compte l'espace requis entre les appareils voisins.

Dimensions de la laveuse



La porte n'est pas réversible.

Un système de vidange au plancher doit être installé sous la cloison. Des cloisons pré-fabriquées avec prises de courant, canalisations d'arrivée d'eau et aménagements pour installation de vidangeage ne doivent être installées que là où les codes locaux l'autorisent.



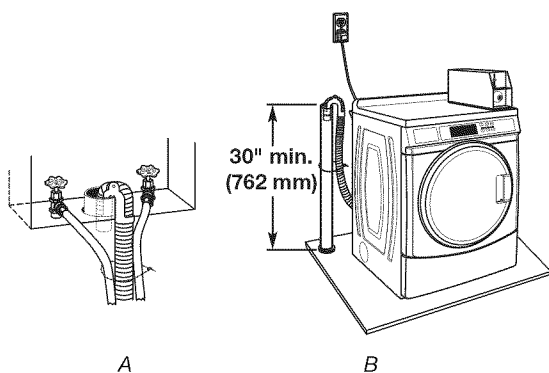
Système de vidange

La laveuse peut être installée en utilisant le système de rejet à l'égout (au plancher ou mural), le système de vidange de l'évier de buanderie ou le système de vidange au plancher. Sélectionner la méthode d'installation du tuyau de vidange selon les besoins. Voir "Outillage et pièces".

Système de vidange avec tuyau de rejet à l'égout - mural ou au plancher (vues A et B)

Le système de rejet à l'égout nécessite un tuyau rigide d'un diamètre minimum de 2" (50 mm). La capacité minimale d'acheminement ne doit pas être inférieure à 10 gal. (38 L) par minute.

Le sommet du tuyau rigide de rejet à l'égout doit être au moins à 30" (762 mm) de hauteur et au maximum à 96" (2,4 m) de la base de la laveuse.



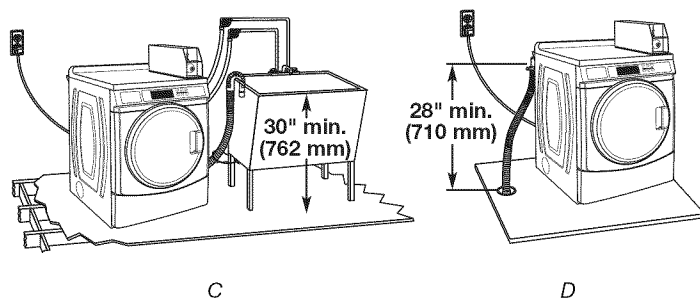
Système de vidange avec évier de buanderie (vue C)

L'évier de buanderie doit avoir une capacité minimale de 20 gal. (76 L). La partie supérieure de l'évier de buanderie doit être à au moins 30" (762 mm) au-dessus du plancher.

Système de vidange au plancher (vue D)

Le système de vidange au plancher nécessite un brise-siphon qui peut être acheté séparément. Voir "Outillage et pièces".

Le brise-siphon doit être au moins à 28" (710 mm) de la base de la laveuse. Des tuyaux supplémentaires peuvent être requis.



Spécifications électriques

⚠ AVERTISSEMENT



Risque de choc électrique

Brancher sur une prise à 3 alvéoles reliée à la terre.

Ne pas enlever la broche de liaison à la terre.

Ne pas utiliser un adaptateur.

Ne pas utiliser un câble de rallonge.

Le non-respect de ces instructions peut causer un décès, un incendie ou un choc électrique.

- Une alimentation de 120 volts, 60 Hz, CA seulement, de 15 ou 20 ampères, protégée par un fusible est requise. On recommande d'utiliser un fusible ou un disjoncteur temporisé. Il est recommandé de raccorder la laveuse sur un circuit distinct exclusif à cette laveuse.
- Cette laveuse comporte un cordon d'alimentation électrique à trois broches pour liaison à la terre.
- Pour minimiser les risques de choc électrique, on doit brancher le cordon sur une prise de courant de configuration correspondante, à 3 alvéoles, reliée à la terre et installée conformément aux codes et règlements locaux. Si une prise de courant de configuration correspondante n'est pas disponible, le client a la responsabilité et l'obligation de faire installer par un électricien qualifié une prise de courant correctement reliée à la terre.
- Si les codes le permettent et si on utilise un conducteur distinct de liaison à la terre, il est recommandé qu'un électricien qualifié vérifie la qualité de la liaison à la terre.

- Ne pas utiliser une tuyauterie de gaz pour le raccordement à la terre.
- En cas de doute quant à la qualité de la liaison à la terre de la laveuse, consulter un électricien qualifié.
- Ne pas installer un fusible dans le conducteur neutre ou le conducteur de liaison à la terre.

INSTRUCTIONS DE LIAISON À LA TERRE

Pour une laveuse reliée à la terre et connectée par un cordon :

Cette laveuse doit être reliée à la terre. En cas d'anomalie de fonctionnement ou de panne, la liaison à la terre réduira le risque de choc électrique en offrant au courant électrique un itinéraire d'évacuation de moindre résistance. Cette laveuse est alimentée par un cordon électrique comportant un conducteur relié à la terre et une fiche de branchement munie d'une broche de liaison à la terre. La fiche doit être branchée sur une prise de courant appropriée qui est bien installée et reliée à la terre conformément à tous les codes et règlements locaux.

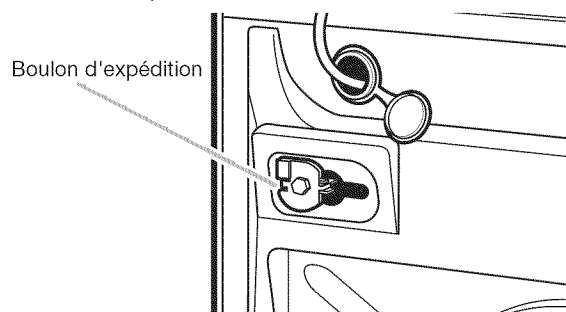
AVERTISSEMENT : Le raccordement incorrect de cet appareil au conducteur de liaison à la terre peut susciter un risque de choc électrique. En cas de doute quant à la qualité de la liaison à la terre de l'appareil, consulter un électricien ou technicien d'entretien qualifié.

Ne pas modifier la fiche de branchement fournie avec l'appareil – si la fiche ne correspond pas à la configuration de la prise de courant, demander à un électricien qualifié d'installer une prise de courant convenable.

Pour une laveuse raccordée en permanence :

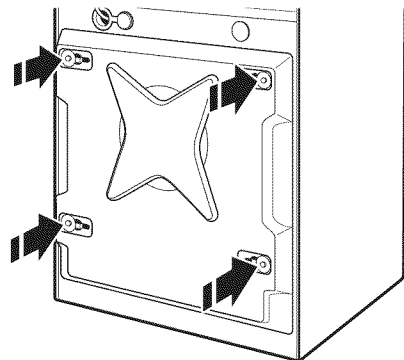
Cette laveuse doit être raccordée à un système de câblage permanent en métal relié à la terre ou un conducteur relié à la terre doit être en fonction avec les conducteurs de circuit et raccordés à la borne de liaison à la terre ou la borne sur l'appareil ménager.

1. Laisser la laveuse en position verticale pendant que l'on ôte les boulons d'expédition.

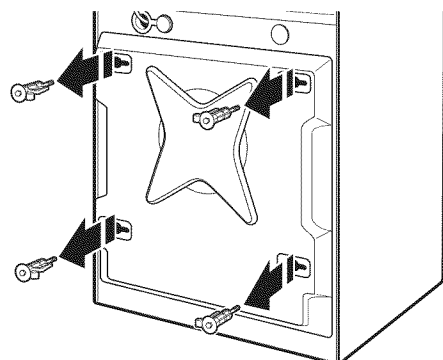


Boulon d'expédition avec cale d'espacement en plastique

2. Au moyen d'une clé de 1/2", desserrer chacun des boulons.



3. Une fois le boulon desserré, le déplacer au centre du trou et retirer complètement le boulon, y compris la cale d'espacement en plastique couvrant le boulon.



4. Une fois que les 4 boulons ont été retirés, jeter les boulons et les cales d'espacement. Puis pousser la fiche du cordon d'alimentation électrique à travers l'ouverture sur le côté droit du panneau arrière, tirer le cordon d'alimentation électrique à travers l'ouverture sur le côté gauche du panneau arrière et obturer les trous avec le bouchon fourni. Ne pas tirer l'extrémité du cordon d'alimentation à travers le trou de droit.
5. Obturer les trous des boulons avec les 4 bouchons pour les trous des boulons de transport.

REMARQUE : Si la laveuse doit être transportée à une date ultérieure, appeler le distributeur du produit ou l'installateur. Pour éviter des dommages concernant la suspension et la structure, votre laveuse doit être correctement montée pour réinstallation ultérieure par un technicien certifié.

INSTRUCTIONS D'INSTALLATION

Dépose du système de transport

⚠ AVERTISSEMENT

Risque du poids excessif

Utiliser deux ou plus de personnes pour déplacer et installer la laveuse.

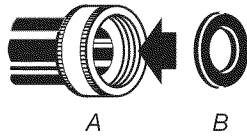
Le non-respect de cette instruction peut causer une blessure au dos ou d'autre blessure.

IMPORTANT : Positionner la laveuse de sorte que l'arrière de la laveuse soit à environ 3 pi (900 mm) de son emplacement final.

On trouve sur le panneau arrière de la laveuse 4 boulons d'expédition qui soutiennent le système de suspension durant le transport. Ces boulons retiennent aussi le cordon d'alimentation électrique à l'intérieur de la laveuse jusqu'à ce que les boulons soient retirés.

Raccordement des tuyaux d'alimentation

Insérer les rondelles plates neuves (fournies) dans chaque extrémité des tuyaux d'arrivée d'eau. Insérer fermement les rondelles dans les raccords.

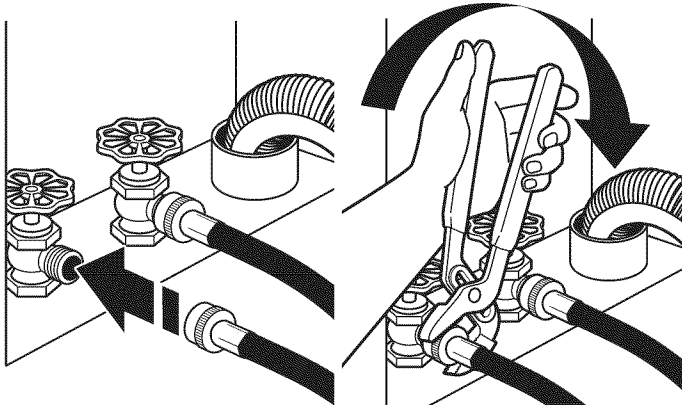


A. Raccord
B. Rondelle

Connecter les tuyaux d'arrivée d'eau aux robinets d'eau

S'assurer que le tambour de la laveuse est vide.

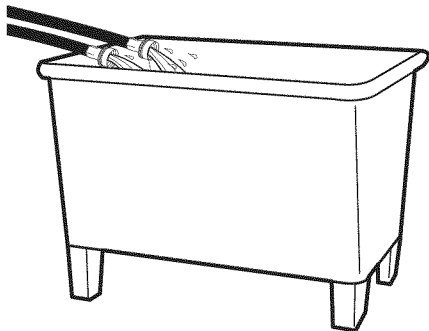
1. Fixer un tuyau au robinet d'eau chaude. Visser complètement le raccord à la main pour qu'il comprime le joint.
2. Fixer un tuyau au robinet d'eau froide. Visser complètement le raccord à la main pour qu'il comprime le joint.
3. À l'aide d'une pince, serrer les raccords en effectuant deux tiers de tour supplémentaires.



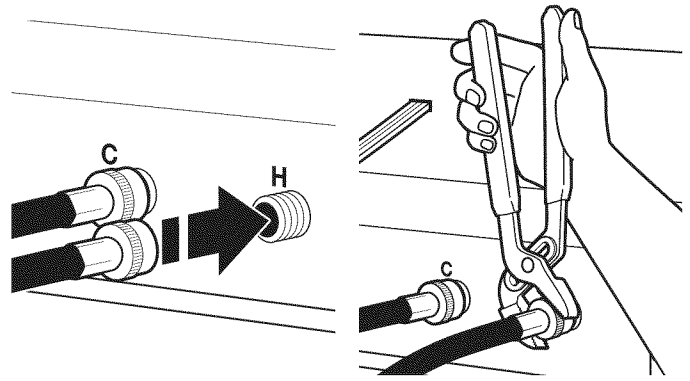
REMARQUE : Ne pas serrer excessivement ou utiliser du ruban adhésif ou un calfeutrant sur la valve. Les valves risquent d'être endommagées.

Purger les canalisations d'eau

- Laisser s'écouler l'eau des deux robinets et des tuyaux d'alimentation dans un évier de buanderie, un tuyau rigide de rejet à l'égout ou un seau, pour éliminer les particules se trouvant dans les canalisations d'eau qui pourraient obstruer les tamis de la valve d'arrivée d'eau.
- Vérifier la température de l'eau pour s'assurer que le tuyau d'eau chaude est connecté au robinet d'eau chaude et que le tuyau d'eau froide est connecté au robinet d'eau froide.

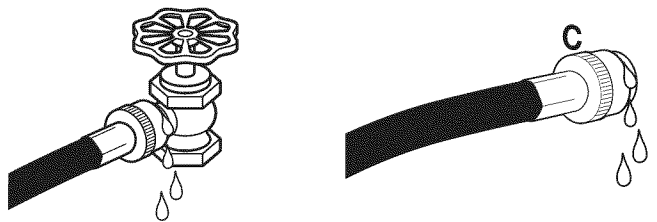


Connecter les tuyaux d'arrivée d'eau à la laveuse



C. Tuyau d'arrivée d'eau froide
H. Tuyau d'arrivée d'eau chaude

1. Fixer le tuyau d'eau chaude à la valve du tuyau d'arrivée d'eau chaude (H) de la laveuse. Visser complètement le raccord à la main pour qu'il comprime le joint.
2. Fixer le tuyau d'eau froide au robinet d'eau froide (C) de la laveuse. Visser complètement le raccord à la main pour qu'il comprime le joint.
3. À l'aide d'une pince, serrer les raccords en effectuant deux tiers de tour supplémentaires.
4. Ouvrir les robinets d'eau complètement et vérifier s'il y a des fuites.



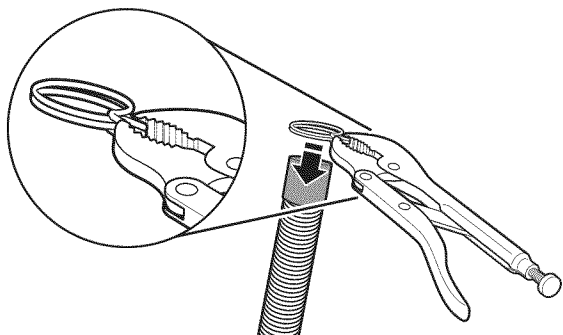
REMARQUE : Remplacer les tuyaux d'arrivée d'eau après 5 ans d'utilisation pour réduire le risque de défaillance. Prendre note de la date d'installation ou de remplacement des tuyaux, pour référence ultérieure.

Inspecter périodiquement les tuyaux; les remplacer en cas de renflement, de déformation, de coupure, d'usure ou si une fuite se manifeste.

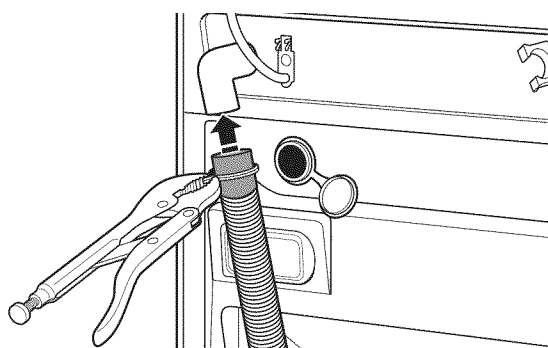
Raccordement du tuyau de vidange

Libération du tuyau de vidange fixé sur le tambour de la laveuse

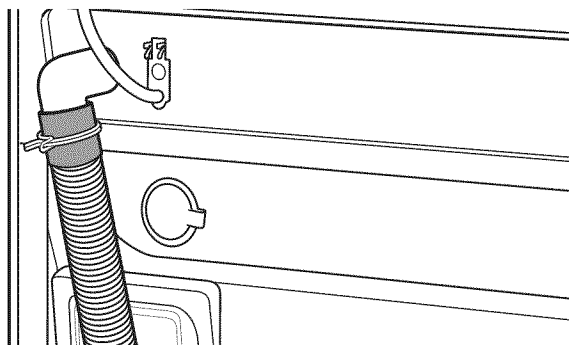
1. À l'aide d'une pince multiprise, serrer les deux onglets de la bride de tuyau et insérer la bride sur l'extrémité du tuyau de vidange.



2. Faire glisser le tuyau de vidange sur le raccord de la laveuse.



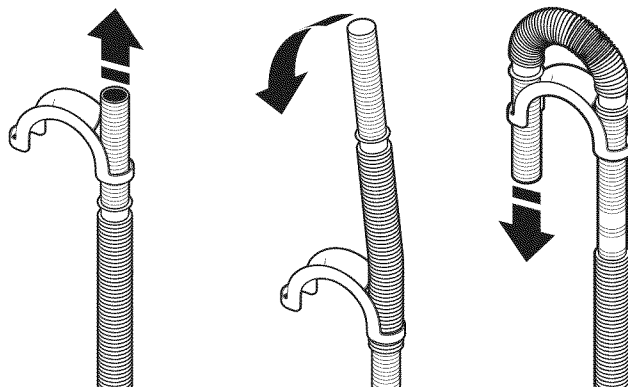
3. Une fois le tuyau de vidange en place, relâcher la prise de la pince.



Le système de vidange de la laveuse peut être installé à l'aide d'un conduit d'évacuation au plancher, un tuyau de rejet à l'égout rigide au mur ou au plancher ou un évier de buanderie.

Décharge de l'eau de lavage dans un évier de buanderie ou tuyau de rejet à l'égout

Connecter la bride de retenue pour tuyau de vidange sur le tuyau de vidange ondulé.



Pour empêcher l'eau de vidange de refluer dans la laveuse :

- Utiliser la bride de retenue et ne pas forcer l'excédent de tuyau dans le tuyau de rejet à l'égout. Le tuyau doit être bien immobilisé, tout en permettant le passage d'air.
- Ne pas mettre l'excédent du tuyau de vidange dans l'évier de buanderie.

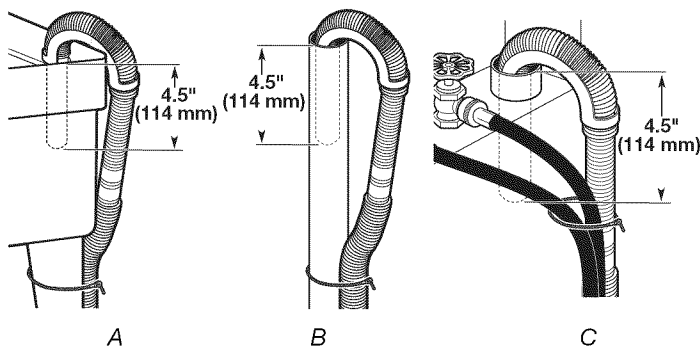
Égout au plancher

Il vous faudra peut-être des pièces supplémentaires. Voir Égout au plancher dans "Outillage et pièces".

Immobilisation du tuyau de vidange

Le tuyau de vidange doit être bien installé pour empêcher le tuyau de bouger lorsque l'eau est pompée pour la vidange. Si le tuyau de vidange bouge, de l'eau peut couler sur le plancher.

1. Faire passer le cordon d'alimentation par-dessus la laveuse.
2. Déplacer la laveuse à son emplacement final.
3. Placer le tuyau de vidange dans l'évier de buanderie ou le tuyau de rejet à l'égout. Voir les illustrations A et B.



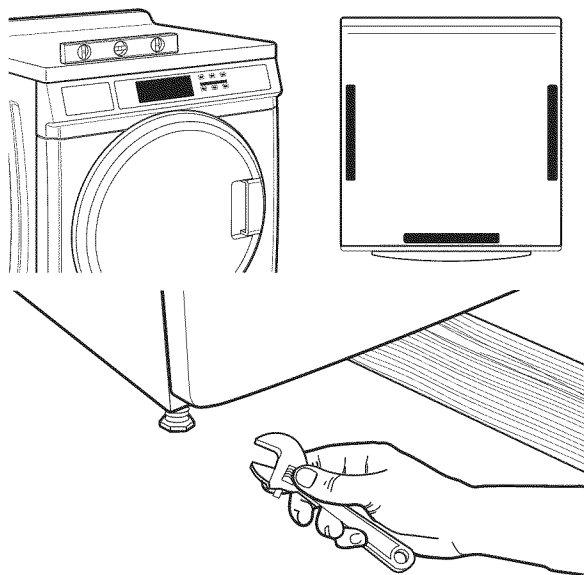
REMARQUES :

- Ne pas forcer l'excédent de tuyau de vidange dans l'arrière de la laveuse.
- Pour éviter un effet de siphon, ne pas assurer l'étanchéité ou introduire plus de 4½" (114 mm) à la jonction entre le tuyau de vidange et le tuyau de rejet à l'égout rigide ou le tuyau d'évacuation.
- Si les robinets d'eau et le tuyau rigide de rejet à l'égout sont placés en retrait, introduire l'extrémité en crochet du tuyau de vidange dans le tuyau rigide de rejet à l'égout, tel qu'indiqué. Voir l'illustration C.

Réglage de l'aplomb de la laveuse

Un bon aplomb de la laveuse évite le bruit et les vibrations excessifs.

1. Placer un niveau sur le bord supérieur de la laveuse pour contrôler l'aplomb, d'abord transversalement, puis dans le sens avant arrière.



Si la laveuse est placée contre un mur, on doit l'écartier légèrement du mur avant de l'incliner vers l'arrière. Si la laveuse n'est pas d'aplomb, soulever l'avant de la laveuse avec une cale de bois et ajuster la position des pieds selon le besoin; soulever ensuite l'arrière de la laveuse et ajuster la longueur des pieds selon le besoin. Répéter ces opérations jusqu'à l'obtention d'un aplomb correct de la laveuse.

2. Vérifier que les quatre pieds sont stables et reposent sur le sol. Vérifier ensuite que la laveuse est parfaitement d'aplomb (utiliser un niveau).
3. Après avoir établi l'aplomb correct de la laveuse, utiliser une clé plate de 9/16" pour serrer fermement l'écrou de chaque pied contre la caisse de la laveuse.

IMPORTANT : Les 4 pieds doivent être bien serrés. Si les écrous ne sont pas bloqués contre la caisse de la laveuse, la laveuse peut vibrer.

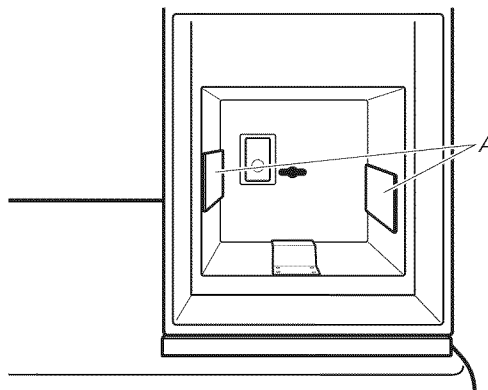
4. La laveuse ne doit pas bouger d'avant en arrière, latéralement ou transversalement lorsqu'on appuie sur les bords supérieurs.
5. Faire glisser la laveuse à son emplacement final.
6. Vérifier le bon aplomb de la laveuse.

Installation des bandes de protection

REMARQUE : Pour modèles PD uniquement.

1. Retirer les 2 bandes de protection en polystyrène du sac.
2. Retirer le ruban adhésif de l'endos des protections adhésives.

3. Installer les protections sur les parois internes de gauche et de droite du coffre à pièces en laissant environ 1/4 à 1/2 de pouce d'espace près du bord avant du coffre afin de permettre à la boîte de pièces de s'enclencher.



A. Bandes de protection en polystyrène

Achever l'installation

1. Consulter les spécifications électriques. Vérifier que la tension électrique disponible est correcte et que la méthode de mise à la terre recommandée a été suivie. Voir "Spécifications électriques".
2. Vérifier que toutes les pièces sont maintenant installées. S'il reste une pièce, passer en revue les différentes étapes pour découvrir laquelle aurait été oubliée.
3. S'assurer d'avoir récupéré tous vos outils.
4. Jeter ou recycler tous les matériaux d'emballage.
5. Vérifier que chaque robinet d'eau est ouvert.
6. Vérifier s'il y a des fuites autour des robinets et des tuyaux d'arrivée d'eau.

⚠ AVERTISSEMENT



Risque de choc électrique

Brancher sur une prise à 3 alvéoles reliée à la terre.

Ne pas enlever la broche de liaison à la terre.

Ne pas utiliser un adaptateur.

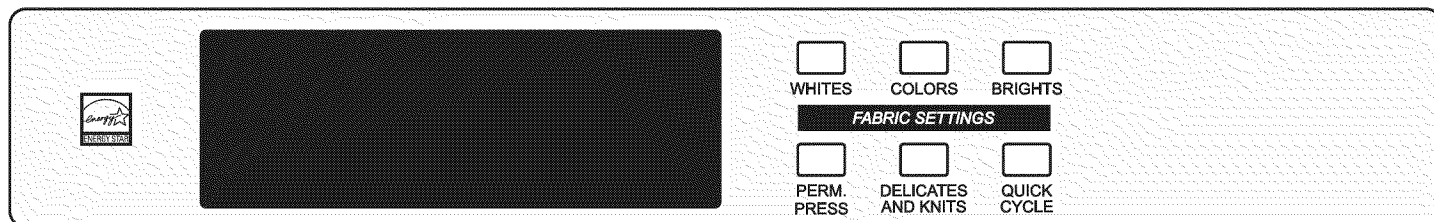
Ne pas utiliser un câble de rallonge.

Le non-respect de ces instructions peut causer un décès, un incendie ou un choc électrique.

7. Brancher sur une prise à 3 alvéoles reliée à la terre.
8. Pour tester le fonctionnement de la laveuse ou effectuer le nettoyage, mesurer la moitié de la quantité de détergent HE haute efficacité recommandée par le fabricant pour une charge de taille moyenne. Verser le détergent dans le distributeur de détergent. Sélectionner n'importe quel programme et laisser la laveuse exécuter un programme complet.



INSTRUCTIONS D'UTILISATION ET D'INSTALLATION



REMARQUES : Après l'installation initiale et le branchement de la laveuse, l'affichage présente "0 MINUTES". Après le branchement de la laveuse et l'ouverture puis la fermeture de la porte, l'affichage présente le prix. Si la laveuse est réglée pour l'utilisation gratuite, 'SELECT CYCLE' (sélectionner le programme) clignote sur l'affichage.

1. Modèles PD : Insérer des pièces jusqu'à ce que 'SELECT CYCLE' (sélectionner le programme) clignote sur l'affichage.
Modèles PR : Une carte de débit est exigée à la place des pièces. Au mode Débit avancé, le solde restant sur la carte s'affiche lorsqu'une carte de débit est insérée dans le lecteur.
2. La porte doit rester fermée avant la sélection du programme.
3. Appuyer sur la touche de réglage du tissu pour le programme de lavage désiré. Après la mise en marche du programme, l'heure s'affichera et le compte à rebours commencera.
4. Quand un programme est interrompu durant l'ouverture de la porte, 'RESELECT CYCLE' (sélectionner à nouveau le programme) clignotera sur l'affichage. Pour remettre la laveuse en marche, fermer la porte et sélectionner à nouveau le programme désiré.

Informations générales pour l'utilisateur

DÉFILEMENT DE 'OUT OF ORDER' (HORS SERVICE) SUR L'AFFICHEUR - Cette situation indique que la laveuse n'est pas opérationnelle.

AFFICHAGE DE '0 MINUTES' - Ceci indique que le programme est terminé et qu'il n'est pas possible de faire fonctionner la laveuse. L'information sur les pièces insérées ou les entrées de cartes de débit sera mémorisée mais ne peut être utilisée avant le rétablissement du fonctionnement normal par une manœuvre d'ouverture/fermeture de la porte. En cas de défaillance du contacteur de porte, on doit le remplacer pour pouvoir rétablir le fonctionnement normal.

COLD START (mise en marche à froid pour la première utilisation) - La laveuse a été programmée à l'usine comme suit :

Laveuse Période de lavage de 11 minutes
 3 rinçages (rinçage supplémentaire non activé)
 Prix du lavage : 1,75 \$ (modèles PD)
 Prix du lavage : 0,00 \$ (modèles PR)

WARM START (mise en marche à chaud après une panne de courant) - Quelques secondes après le rétablissement de l'alimentation électrique, si un programme était en cours au moment de la panne, 'RESELECT CYCLE' (sélectionner à nouveau le programme) clignote sur l'affichage, pour indiquer qu'il faut appuyer sur une touche pour remettre la laveuse en marche.

DOOR LOCK (verrouillage de la porte) - Avant qu'un programme ne démarre, une procédure de verrouillage de porte avec étapes de verrouillage/déverrouillage/re-verrouillage se déclenche, puis le programme commence. La porte restera verrouillée jusqu'à la fin du programme ou pendant environ 2 minutes après une interruption d'alimentation.

PRICING (tarification) - Une fois la porte ouverte suite à un programme, l'affichage indique le prix du programme (à moins de réglage gratuit). Au fur et à mesure que les pièces sont insérées ou que les entrées de carte de débit arrivent, l'affichage indiquera les étapes à suivre par l'utilisateur pour lancer un programme.

PROGRAMMES GRATUITS - Pour ceci, on règle le prix de l'utilisation à zéro; l'affichage présente alors 'SELECT CYCLE' (sélectionner le programme) plutôt que le prix d'une utilisation.

PRÊT POUR CARTE DE DÉBIT - Cette laveuse est pré-configurée pour l'utilisation des cartes de débit; il est compatible avec une variété de systèmes de paiement par carte de débit, mais il n'est PAS fourni avec un lecteur de carte de débit. Pour le réglage approprié de la laveuse; voir les instructions fournies par le fabricant du lecteur de carte de débit. Pour un modèle converti pour l'utilisation d'une carte de débit Génération 1, les impulsions de débit sont équivalentes à l'insertion d'une pièce (pièce 1).

Procédures de réglage des systèmes de commande

IMPORTANT : Lire la totalité des instructions avant l'utilisation.

Modèles PD : Insérer la clé de la porte d'accès; tourner et soulever pour enlever la porte d'accès.

Modèles PR : Après installation du lecteur de carte de débit (conformément aux instructions du fabricant du lecteur de carte), pour accéder au mode de paramétrage, insérer la carte de paramétrage (fournie par le fabricant du lecteur de carte) dans le lecteur de carte.

Pour le réglage des systèmes de commande, on utilise les touches de réglage inférieures (tissu) et l'affichage numérique.

L'affichage peut présenter 4 chiffres et/ou lettres et un point décimal, qui indiquent les codes de paramétrage et des valeurs connexes disponibles pour la programmation de la laveuse.

UTILISATION DES TOUCHES POUR LA PROGRAMMATION DES SYSTÈMES DE COMMANDE

1. La touche PERM PRESS permet la sélection des valeurs associées aux codes de paramétrage. Une pression sur la touche fait augmenter la valeur par incréments; si on maintient la pression sur la touche, la valeur affichée augmente rapidement.
2. La touche DELICATES AND KNITS commande la progression parmi les codes de paramétrage. Une pression sur la touche provoque le passage au code de paramétrage suivant; une pression constante sur la touche commande le défilement automatique des codes à raison de 1 code par seconde.
3. La touche QUICK CYCLE permet de sélectionner/désélectionner les options.

Paramétrage pour mise en marche

Avant de poursuivre, noter que malgré le grand nombre d'options disponibles, le propriétaire de la laveuse peut décider de simplement débarrer sa nouvelle laveuse commerciale, la brancher et la raccorder; elle sera alors parfaitement opérationnelle.

Les laveuses sont préréglées à l'usine pour une période de lavage de 11 minutes et pour 3 rinçages (aucun rinçage supplémentaire).

CODES DE PARAMÉTRAGE

La touche DELICATES AND KNITS permet de passer d'un code à un autre. La touche PERM PRESS permet de changer de valeur de code. La touche QUICK CYCLE permet de sélectionner/désélectionner les options.

MODÈLES PR : Les codes de paramétrage sont les mêmes que pour le modèle "PD", sauf indication contraire.

Le code de paramétrage est indiqué par le ou les deux caractères sur la gauche. La valeur du code de paramétrage est indiquée par les deux ou trois caractères sur la droite.

EXPLICATION DES CODES

CODE	EXPLICATION
6 07	PRIX POUR PROGRAMME REGULIER (paramétrage usine)
6 07	Ceci représente le nombre de pièces de 0,25 \$ (pièce 1); réglage dans la plage 0-39. (Voir VALEUR POUR PIÈCE 1). Pour faire augmenter le chiffre affiché entre 0-39, appuyer sur la touche PERM PRESS. Configuré à l'usine pour 7 pièces de 0,25 \$ = 1,75 \$.
6 00	MODÈLES PR SEULEMENT : Configuré à l'usine pour 0 pièce de 0,25 \$.
	6 01 représente une manœuvre de la glissière à pièces de monnaie.
→	Appuyer une fois sur la touche DELICATES AND KNITS pour passer au code suivant.
7 11	DURÉE DU LAVAGE
7 11	Nombre de minutes de la période de LAVAGE. La laveuse est préréglée à l'usine pour 11 minutes. Sélectionner une valeur de 9-17 minutes : appuyer sur la touche PERM PRESS.
→	Appuyer une fois sur la touche DELICATES AND KNITS pour passer au code suivant.
	REMARQUE : Cette option ne s'applique pas à QUICK CYCLE.
8 00	OPTION RINÇAGE SUPPLÉMENTAIRE
	Cette option peut être SÉLECTIONNÉE ('ON') ou PAS SÉLECTIONNÉE ('OFF').
8 00	Pas sélectionnée ('OFF').
8 Ar	Sélectionnée ('ON'). Ne peut être combinée avec l'option de rinçage Super Programme.
	Appuyer une fois sur la touche QUICK CYCLE pour cette sélection.
→	Appuyer une fois sur la touche DELICATES AND KNITS pour passer au code suivant.

CODE	EXPLICATION
9 00	OPTION DE COMPTAGE DU NOMBRE DE PROGRAMMES
	Cette option peut être SÉLECTIONNÉE ('ON') ou PAS SÉLECTIONNÉE ('OFF').
9 00	Pas sélectionnée ('OFF').
9 0C	Option sélectionnée ('ON') et impossibilité de désélection.
	Appuyer 3 fois consécutives sur la touche QUICK CYCLE pour sélectionner 'ON' (active). Lorsque 'ON' a été sélectionné, on ne peut désélectionner l'option.
→	Appuyer une fois sur la touche DELICATES AND KNITS pour passer au code suivant.
1. 00	OPTION COMPTEUR DE MONNAIE
	Cette option peut être SÉLECTIONNÉE ('ON') ou PAS SÉLECTIONNÉE ('OFF').
1. 00	Pas sélectionnée ('OFF').
1. 0C	Option sélectionnée ('ON').
	Appuyer 3 fois consécutives sur la touche QUICK CYCLE pour sélectionner 'ON' (active); appuyer 3 fois sur la touche pour désélectionner l'option. Le compteur passe de 'OFF' (inactive) à 'ON' (active).
1. 0C	Option sélectionnée 'ON' et impossibilité de désélection. Pour sélectionner 'ON' avec impossibilité de désélection, sélectionner d'abord 'ON'. Puis en moins de deux secondes appuyer deux fois sur la touche QUICK CYCLE et une fois sur la touche PERM PRESS, et quitter le mode de paramétrage.
→	Appuyer une fois sur la touche DELICATES AND KNITS pour passer au code suivant.
2. 00	OPTIONS DE PRIX SPÉCIAL
	Cette option peut être SÉLECTIONNÉE ('ON') ou PAS SÉLECTIONNÉE ('OFF').
2. 00	Pas sélectionnée ('OFF'), et le code suivant sera A.00.
2. SP	Option sélectionnée ('ON'). Appuyer une fois sur la touche QUICK CYCLE pour cette sélection.

Si l'OPTION DE PRIX SPÉCIAL est sélectionnée, on a accès aux codes '3.XX' à '9.XX'.

→ Appuyer une fois sur la touche DELICATES AND KNITS pour passer au code suivant.

Options disponibles si l'option de PRIX SPÉCIAL a été sélectionnée :

3. 07	PRIX POUR PROGRAMME SPÉCIAL
3. 07	Ceci représente le nombre de pièces de 0,25 \$ (pièce 1); réglage dans la plage 0-39. (Voir VALEUR POUR PIÈCE 1.) Pour faire augmenter le chiffre affiché entre 0-39, appuyer sur la touche PERM PRESS. Configuré à l'usine pour 7 pièces de 0,25 \$ = 1,75 \$.
3. 00	MODÈLES PR SEULEMENT : Configuré à l'usine pour 0 pièce de 0,25 \$.
→	Appuyer une fois sur la touche DELICATES AND KNITS pour passer au code suivant.

CODE	EXPLICATION	
5.00	HORLOGE - MINUTES	
5.00	Réglage du nombre de minutes pour l'HORLOGE; sélectionner une valeur de 0-59 minutes : appuyer sur la touche PERM PRESS. → Appuyer une fois sur la touche DELICATES AND KNITS pour passer au code suivant.	
6.00	HORLOGE - HEURES REMARQUE : Utilisation de l'heure militaire ou du format 24 h	
6.00	Réglage du nombre d'heures pour l'HORLOGE; sélectionner une valeur de 0-23 heures : appuyer sur la touche PERM PRESS. → Appuyer une fois sur la touche DELICATES AND KNITS pour passer au code suivant.	
7.00	PRIX SPÉCIAL - HEURE DE COMMENCEMENT REMARQUE : Utilisation de l'heure militaire ou du format 24 h	
7.00	Sélection de l'heure de commencement pour cette tarification; 0-23 heures. Sélectionner START HOUR (heure de commencement) : appuyer sur la touche PERM PRESS. → Appuyer sur la touche DELICATES AND KNITS pour passer au code suivant.	
8.00	PRIX SPÉCIAL - HEURE D'EXPIRATION REMARQUE : Utilisation de l'heure militaire ou du format 24 h	
8.00	Sélection de l'heure d'expiration pour cette tarification; de 0-23 heures. Sélectionner STOP HOUR (heure d'expiration) : appuyer sur la touche PERM PRESS. → Appuyer une fois sur la touche DELICATES AND KNITS pour passer au code suivant.	
9.10	JOUR POUR PRIX SPÉCIAL	
9.10	Ceci représente le jour de la semaine sélectionné, et la sélection de la tarification spéciale pour ce jour. Un chiffre suivi de '0' indique que cette option n'est pas sélectionnée pour le jour particulier concerné (9.10). Un chiffre suivi d'un 'S' indique que cette option est sélectionnée pour le jour concerné (9.1S). Pour changer la valeur de '0' et de 'S', utiliser la touche QUICK CYCLE. Pour sélectionner les jours de la semaine (1-7), appuyer sur la touche PERM PRESS. Le jour de la semaine doit apparaître sur l'afficheur au moment de sortir du code de paramétrage '9' :	
AFFICHEUR	JOUR DE LA SEMAINE	CODE (sélectionné)
10	Jour 1 = Dimanche	1S
20	Jour 2 = Lundi	2S
30	Jour 3 = Mardi	3S
40	Jour 4 = Mercredi	4S
50	Jour 5 = Jeudi	5S
60	Jour 6 = Vendredi	6S
70	Jour 7 = Samedi	7S
→	Appuyer une fois sur la touche DELICATES AND KNITS pour passer au code suivant	

CODE	EXPLICATION
A.00	OPTION AFFICHAGE DU CONTENU DU COFFRE Cette option peut être SÉLECTIONNÉE ('ON') ou PAS SÉLECTIONNÉE ('OFF').
A.00	Pas sélectionnée ('OFF').
A.SC	Option sélectionnée ('ON'). Appuyer une fois sur la touche QUICK CYCLE pour cette sélection. Lorsque l'option est sélectionnée, le montant d'argent et/ou le nombre de programmes (si on a sélectionné l'option/les options du comptage) est visible lorsque la boîte à pièces a été enlevée. → Appuyer une fois sur la touche DELICATES AND KNITS pour passer au code suivant.
b.05	VALEUR DE LA PIÈCE 1
b.05	Ceci représente la valeur de la pièce 1, en multiples de 0,05 \$: 05 = 0,25 \$. Par des pressions sur la touche PERM PRESS, on peut sélectionner une valeur de 1 à 199 (multiples de 0,05 \$). → Appuyer une fois sur la touche DELICATES AND KNITS pour passer au code suivant.
C.20	VALEUR DE LA PIÈCE 2
C.20	Ceci représente la valeur de la pièce 2, en multiples de 0,05 \$: 20 = 1,00 \$.
C.05	MODÈLES PR SEULEMENT : Configuré à l'usine pour 0,25 \$ Par des pressions sur la touche PERM PRESS, on peut sélectionner une valeur de 1 à 199 (multiples de 0,05 \$). → Appuyer une fois sur la touche DELICATES AND KNITS pour passer au code suivant.
d.00	OPTION GLISSIÈRE À PIÈCES Cette option peut être SÉLECTIONNÉE ('ON') ou PAS SÉLECTIONNÉE ('OFF'). Le boîtier du compteur doit être replacé pour le montage de la glissière à pièces.
d.00	Pas sélectionnée ('OFF').
d.CS	Sélectionnée ('ON'). REMARQUE : Cette option devrait être réglée à "00" à moins que le boîtier du compteur ait été changé pour un dispositif de glissière à pièces. Appuyer 3 fois consécutives sur la touche QUICK CYCLE pour cette sélection. Lorsqu'on sélectionne le mode de glissière à pièces, sélectionner une valeur 'b.' égale à la valeur des pièces placées dans la glissière, en multiples de 0,05 \$. Régler le code de paramétrage 6 xx (prix pour programme régulier) et le code de paramétrage 3.xx (prix pour programme spécial) pour le nombre de manœuvres de la glissière. Si l'installateur sélectionne le paramétrage 'CS' sur un modèle à pièces, la laveuse n'enregistrera pas les pièces insérées. → Appuyer une fois sur la touche DELICATES AND KNITS pour passer au code suivant.

CODE	EXPLICATION
E. 00	OPTION ADDITION DE PIÈCES Cette option peut être SÉLECTIONNÉE ('ON') ou PAS SÉLECTIONNÉE ('OFF'). Cette option commande l'affichage du nombre de pièces (pièce 1) à insérer, plutôt que d'un montant monétaire.
E. 00	Pas sélectionnée ('OFF').
E. AC	Option sélectionnée ('ON'). Appuyer 3 fois consécutives sur la touche QUICK CYCLE pour cette sélection. → Appuyer une fois sur la touche DELICATES AND KNITS pour passer au code suivant.
F. 00	OPTION TARIFICATION AMÉLIORÉE
F. 00	Pas sélectionnée ('OFF').
F. CP	Activation de la tarification basée sur le programme. Cette option permet de configurer la laveuse avec des prix différents pour les programmes de lavage avec eau chaude, eau tiède et eau froide.
F. SU	Programme super-tarification activé. Cette option permet au client d'ajouter de l'argent pour rehausser sa sélection. Les codes de paramétrage 'H' et 'h.' ne s'affichent que si cette option a été préalablement activée. Appuyer sur la touche QUICK CYCLE pour cette sélection. → Appuyer une fois sur la touche DELICATES AND KNITS pour passer au code suivant.
H. 01	PROGRAMME SUPER-TARIFICATION/ AMÉLIORATION (Omis, sauf si le programme super-tarification est activé.)
H. 01	Ceci représente le nombre de pièces 1 nécessaires pour l'accès au super programme à partir du programme de base. Appuyer sur la touche PERM PRESS pour sélectionner une valeur de 0 à 39. → Appuyer une fois sur la touche DELICATES AND KNITS pour passer au code suivant.
h. 01	TYPE DE SUPER PROGRAMME (Omis, sauf si le programme super-tarification est activé.)
h. 01	Ceci représente l'option super programme/ amélioration. Appuyer la touche PERM PRESS pour sélectionner l'un des 3 niveaux d'amélioration : 01 - lavage amélioré, avec 3 minutes additionnelles de lavage/culbutage en plus de la durée de lavage programmée. 02 - rinçage additionnel pour tous les programmes. 03 - 01 + 02. → Appuyer une fois sur la touche DELICATES AND KNITS pour passer au code suivant.

CODE	EXPLICATION
J. Cd	OPTION PIÈCES/DÉBIT
J. Cd	Sélection du paiement par pièces et par carte de débit. Appuyer 3 fois consécutives sur la touche QUICK CYCLE pour modifier cette sélection.
J. C_	Paiement par pièces sélectionné; paiement par carte de débit désactivé. Appuyer 3 fois consécutives sur la touche QUICK CYCLE pour modifier cette sélection.
J. _d	Modèles PR sont configurés à l'usine pour J._d. Paiement par carte de débit sélectionné, paiement par pièces désactivé. Appuyer 3 fois consécutives sur la touche QUICK CYCLE pour modifier cette sélection.
J. Ed	L'option de paiement améliorée/carte de débit est auto-sélectionnée lors de l'installation d'un lecteur de carte Génération 2 sur la laveuse. On ne peut sélectionner/désélectionner manuellement l'option Ed. → Appuyer une fois sur la touche DELICATES AND KNITS pour passer au code suivant.
L. 00	OPTION SUPPRESSION DU PRIX Lorsque cette option est sélectionnée, l'affichage présente le message 'ADD' (ajouter) ou 'AVAILABLE' (disponible) plutôt que le montant monétaire à ajouter. (Utilisation principalement avec l'emploi du paiement par carte de débit.)
L. 00	Pas sélectionnée ('OFF').
L. PS	Option sélectionnée ('ON'). Appuyer une fois sur la touche QUICK CYCLE pour cette sélection. → Appuyer une fois sur la touche DELICATES AND KNITS pour passer au code suivant.
n. CE	OPTION EFFACEMENT DU MONTANT MÉMORISÉ Lorsque cette option est sélectionnée, un montant conservé en mémoire est effacé après 30 minutes sans autre activité.
n. 00	Pas sélectionnée ('OFF').
n. CE	Sélectionnée ('ON'). Appuyer une fois sur la touche QUICK CYCLE pour cette option. → Appuyer une fois sur la touche DELICATES AND KNITS pour passer au code suivant.
r. 800	VITESSE D'ESSORAGE LA PLUS ÉLEVÉE (EN RPM)
r. 800	Cette option peut être sélectionnée à partir des vitesses d'essorage suivantes : 600 rpm, 750 rpm, 800 rpm, 1000 (affichage de 999) rpm. Passer d'une vitesse à une autre en appuyant sur PERM PRESS. Configuré à l'usine pour 800 rpm. → Appuyer une fois sur la touche DELICATES AND KNITS pour passer au code suivant.
U. 00	INCRÉMENT CENTIME
U. 00	Ceci représente la valeur de l'incrément de prix utilisé sur le modèle PR Génération 2 (paiement par carte de débit/amélioration). Appuyer sur la touche PERM PRESS pour sélectionner une valeur de 0 à 4 centimes. → Appuyer une fois sur la touche DELICATES AND KNITS pour passer au code suivant.

A1.00 DURÉE DE PRÉLAVAGE

A1.00 Ceci correspond au nombre de minutes de la période de PRÉLAVAGE. Sélectionner 0 pour désactiver le pré-lavage ou sélectionner entre 2 et 7 minutes en appuyant sur la touche PERM PRESS.

→ Appuyer une fois sur la touche DELICATES AND KNITS pour passer au code suivant.

A2.03 DURÉE DE L'ESSORAGE FINAL

A2.03 Ceci correspond au nombre de minutes de la période de l'essorage final à vitesse élevée. Sélectionner entre 3 et 8 minutes en appuyant sur la touche PERM PRESS.

→ Appuyer une fois sur la touche DELICATES AND KNITS pour passer au code suivant.

Si le compteur de programme (90C) est sélectionné, ce qui suit est vrai :

1 00	Nombre de programmes, en CENTAINES	1 <u>02</u> = 200
2 00	Nombre de programmes, en UNITÉS	<u>25</u> = 25

TOTAL PROGRAMMES = 225

Cette information est "SEULEMENT AFFICHÉE"; on ne peut l'effacer.

Appuyer une fois sur la touche DELICATES AND KNITS pour passer au code suivant.

Si le compteur de monnaie (1.0C ou 1.C0) est sélectionné, ce qui suit est vrai :

3 00	Nombre de dollars, en CENTAINES	3 <u>01</u> = 100 \$
4 00	Nombre de dollars, en UNITÉS	4 <u>68</u> = 68 \$
5 00	Nombre de CENTIMES.	5 <u>75</u> = 0,75 \$
		<hr/> Total = 168,75 \$

FIN des PROCÉDURES DE PARAMÉTRAGE.

POUR QUITTER LE MODE DE PARAMÉTRAGE

Modèle PD : Réinstaller la porte d'accès.

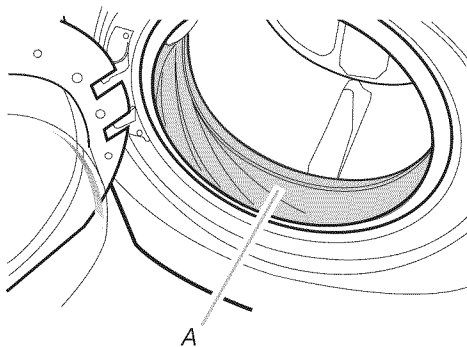
Modèle PR : Enlever les cartes de paramétrage manuel.

ENTRETIEN DE LA LAVEUSE

Nettoyage de la laveuse

Nettoyage du joint/soufflet de la porte

1. Ouvrir la porte de la laveuse et retirer tout vêtement ou article de la laveuse.
2. Inspecter la porte de verre interne. Si l'on note la présence de résidus, essuyer les résidus avec un chiffon humide.
3. Examiner le joint/soufflet de couleur entre l'ouverture de la porte et le panier pour déceler des zones tachées. Tirer sur le joint/soufflet pour examiner toutes les zones sous le joint/soufflet et voir s'il n'y a pas d'objets étrangers.



A. Joint/soufflet

4. Si des zones tachées sont décelées, essuyer ces zones en respectant la procédure indiquée ci-dessous.
 - a) Mélanger une solution diluée en utilisant 3/4 de tasse (177 mL) d'agent de blanchiment au chlore liquide et 1 gal. (3,8 L) d'eau tiède du robinet.
 - b) Essuyer la zone du joint/soufflet avec la solution diluée, en utilisant un chiffon humide.
 - c) Laisser agir pendant 5 minutes.
 - d) Essuyer la zone complètement avec un chiffon sec et laisser l'intérieur de la laveuse sécher avec la porte ouverte.

IMPORTANT :

- Porter des gants en caoutchouc en cas de nettoyage pendant une période prolongée.
- Consulter les instructions du fabricant de l'agent de blanchiment pour une utilisation correcte.

Procédure d'entretien de la laveuse

Cette laveuse comporte un programme spécial qui utilise des volumes d'eau plus importants en combinaison avec ou un agent de blanchiment au chlore liquide pour nettoyer en profondeur l'intérieur de la laveuse.

REMARQUES :

- Lire ces instructions complètement avant de débiter la procédure de nettoyage.
- Si nécessaire, le programme de nettoyage peut être interrompu en appuyant deux fois sur le bouton QUICK CYCLE. Cependant, ceci n'arrêtera pas immédiatement le programme. La laveuse poursuivra avec plusieurs rinçages et vidanges afin d'évacuer toute trace d'agent de blanchiment de la laveuse.

Début de la procédure

1. Ouvrir la porte de la laveuse et retirer tout vêtement ou article de la laveuse.
2. **Utiliser un agent de blanchiment liquide :**
Ouvrir le tiroir distributeur et ajouter immédiatement 2/3 de tasse (160 mL) d'agent de blanchiment liquide au chlore dans le compartiment d'agent de blanchiment.

REMARQUE : Ne pas verser de détergent pour ce programme. L'utilisation de plus de 2/3 de tasse (160 mL) d'agent de blanchiment occasionnera, avec le temps, des dommages au produit.

3. Fermer la porte de la laveuse et le tiroir distributeur.
4. Pour mettre en marche le programme Washer Cleanout (nettoyage de la laveuse), entrer d'abord dans "Paramétrage pour mise en marche". Puis appuyer sur QUICK CYCLE pendant 1 seconde. Alors que l'ensemble de l'affichage clignote, appuyer sur BRIGHTS (couleurs claires).

REMARQUE : La porte se verrouille, le panier pivote d'un demi-tour, la porte se déverrouille et se verrouille à nouveau, puis le programme Washer Cleanout se poursuit.

- La laveuse ne se remplit pas d'eau mais le panier tourne alors que la laveuse effectue un court programme de détection. Ceci prend environ 3 minutes.
5. Le programme détermine si des vêtements ou d'autres articles se trouvent dans la laveuse.
 - a) Si aucun article n'est détecté dans la laveuse, il passe à l'étape 7.
 - b) Si des articles sont détectés dans la laveuse, "rL" (enlever la charge) ou "F-34" s'affiche. Ensuite la porte se déverrouille.
 - Appuyer sur QUICK CYCLE pour annuler le code de défaillance. Puis répéter les étapes 1, 3 et 4 pour remettre le programme en marche.
 6. Une fois que le programme a commencé, laisser le programme s'achever.
 7. À la fin du programme, laisser la porte légèrement ouverte, pour permettre une meilleure ventilation et le séchage de l'intérieur de la laveuse.

Toujours suivre la procédure qui suit pour préserver la fraîcheur de la laveuse

- Utiliser uniquement un détergent HE Haute efficacité.
- Laisser la porte légèrement ouverte après chaque programme pour permettre une meilleure ventilation et le séchage de l'intérieur de la laveuse.
- Nettoyer la laveuse chaque mois selon la Procédure d'entretien de la laveuse, en utilisant 2/3 de tasse (160 mL) d'agent de blanchiment au chlore liquide.
- Si la procédure ne permet pas de remédier suffisamment aux problèmes de fraîcheur de la laveuse, veuillez examiner les conditions d'installation et d'utilisation pour déceler d'autres causes.

Nettoyage de l'extérieur

Utiliser une éponge ou un chiffon doux humide pour essuyer les renversements. Essuyer occasionnellement les surfaces externes de la laveuse pour maintenir son apparence d'appareil neuf. Utiliser un savon doux et de l'eau. Ne pas utiliser des produits abrasifs.

Nettoyage du tiroir distributeur

Le tiroir distributeur est amovible pour faciliter le nettoyage.

1. Déverrouiller le tiroir distributeur en appuyant sur le levier de dégagement. Retirer le tiroir.
2. Ôter les pièces incluses (le siphon des compartiments de l'assouplissant de tissu et de l'agent de blanchiment).
3. Laver les pièces sous l'eau du robinet.

REMARQUE : Ne pas laver les composants au lave-vaisselle.

4. Réinstaller les pièces incluses et remettre le distributeur dans le tiroir.

Tuyaux d'arrivée d'eau

Remplacer les tuyaux d'arrivée d'eau après 5 ans d'utilisation pour réduire le risque de défaillance des tuyaux. Inspecter périodiquement les tuyaux; les remplacer en cas de renflement, de déformation, de coupure et d'usure ou si une fuite se manifeste.

Lors du remplacement des tuyaux d'arrivée d'eau, inscrire la date du remplacement.

ASSISTANCE OU SERVICE

Si vous avez besoin d'assistance :

Contactez le distributeur auprès duquel la laveuse a été achetée ou identifier un distributeur d'appareils de buanderie commerciaux de Maytag agréé; consulter également www.maytagcommerciallaundry.com.

Lors de l'appel, vous aurez besoin des numéros de modèle et de série de la laveuse. Vous trouverez ces deux numéros sur la plaque signalétique située sur la laveuse.

GARANTIE DE LA LAVEUSE ET SÉCHEUSE COMMERCIALES À CHARGE UNIQUE OU MULTI-CHARGE PAYANTES

GARANTIE LIMITÉE SUR LES PIÈCES

Pendant cinq ans à compter de la date d'achat, lorsque cet appareil ménager commercial est installé, utilisé et entretenu conformément aux instructions jointes à ou fournies avec le produit, Maytag marque de Whirlpool Corporation (ci-après désignée "Maytag") paiera pour les pièces de rechange spécifiées par l'usine ou les pièces de rechange d'équipement originales du fabricant pour corriger les vices de matériaux ou de fabrication. Une preuve d'achat originale est requise pour bénéficier du service de garantie.

MAYTAG NE PAIERA PAS POUR

1. Tous les autres frais, notamment la main-d'œuvre, le transport ou les taxes douanières.
 2. Les visites de service pour rectifier l'installation de l'appareil ménager commercial, montrer à l'utilisateur comment utiliser l'appareil, remplacer ou réparer des fusibles, ou rectifier le câblage ou la plomberie extérieure.
 3. Les réparations lorsque l'appareil est utilisé autrement que pour une utilisation commerciale ordinaire.
 4. Les dommages imputables à une mauvaise manipulation du produit pendant une livraison, un vol, un accident, une modification, un usage impropre, un abus, un incendie, une inondation, des actes de Dieu, une mauvaise installation, une installation non conforme aux codes locaux d'électricité et de plomberie, ou l'utilisation de produits non approuvés par Maytag.
 5. Le ramassage et la livraison. Cet appareil commercial est conçu pour être réparé sur place.
 6. Les réparations aux pièces ou systèmes résultant d'une modification non autorisée faite à l'appareil commercial.
 7. La dépose et la réinstallation de votre appareil commercial si celui-ci est installé dans un endroit inaccessible ou n'est pas installé conformément aux instructions d'installation fournies.
 8. Les dommages chimiques ne sont pas couverts par la garantie.
 9. Les modifications du bâtiment, de la pièce ou de l'emplacement nécessaires pour faire fonctionner l'appareil commercial correctement.
 10. Réparations effectuées par un technicien de réparation agréé employé par une autre compagnie que Whirlpool.
-

CLAUSE D'EXONÉRATION DE RESPONSABILITÉ AU TITRE DES GARANTIES IMPLICITES; LIMITATION DES RECOURS

LE SEUL ET EXCLUSIF RECOURS DU CLIENT DANS LE CADRE DE LA PRÉSENTE GARANTIE LIMITÉE CONSISTE EN LA RÉPARATION OU LE REMPLACEMENT DU PRODUIT PRÉVUS CI-DESSUS. LES GARANTIES IMPLICITES, Y COMPRIS LES GARANTIES APPLICABLES DE QUALITÉ MARCHANDE ET D'APTITUDE À UN USAGE PARTICULIER, SONT LIMITÉES À UN AN OU À LA PLUS COURTE PÉRIODE AUTORISÉE PAR LA LOI. WHIRLPOOL N'ASSUME AUCUNE RESPONSABILITÉ POUR LES DOMMAGES FORTUITS OU INDIRECTS. CERTAINES JURIDICTIONS NE PERMETTENT PAS L'EXCLUSION OU LA LIMITATION DES DOMMAGES FORTUITS OU INDIRECTS, OU LES LIMITATIONS DE LA DURÉE DES GARANTIES IMPLICITES DE QUALITÉ MARCHANDE OU D'APTITUDE À UN USAGE PARTICULIER, DE SORTE QUE CES EXCLUSIONS OU LIMITATIONS PEUVENT NE PAS S'APPLIQUER DANS VOTRE CAS. CETTE GARANTIE VOUS CONFÈRE DES DROITS JURIDIQUES SPÉCIFIQUES ET VOUS POUVEZ ÉGALEMENT JOUIR D'AUTRES DROITS QUI PEUVENT VARIER D'UNE JURIDICTION À UNE AUTRE.

Si vous avez besoin de service, veuillez communiquer avec votre distributeur d'ensemble de buanderie Maytag® autorisé. Pour localiser votre distributeur d'ensemble de buanderie Maytag® autorisé, ou pour des demandes de renseignements sur Internet, visitez le site Web www.MaytagCommercialLaundry.com.

3/10

Vous pouvez écrire à l'adresse suivante :

Maytag® Commercial Laundry Service Department
2000 M-63 North
Benton Harbor, Michigan 49022 USA

W10353871A

© 2010
All rights reserved.
Tous droits réservés.

®Registered trademark/™ Trademark of Maytag Corporation or its related companies.
Used under license by Maytag Limited in Canada.
®Marque déposée/™ Marque de commerce de Maytag Corporation ou de ses compagnies affiliées.
Emploi sous licence par Maytag Limited au Canada.

10/10
Printed in Mexico
Imprimé au Mexique

