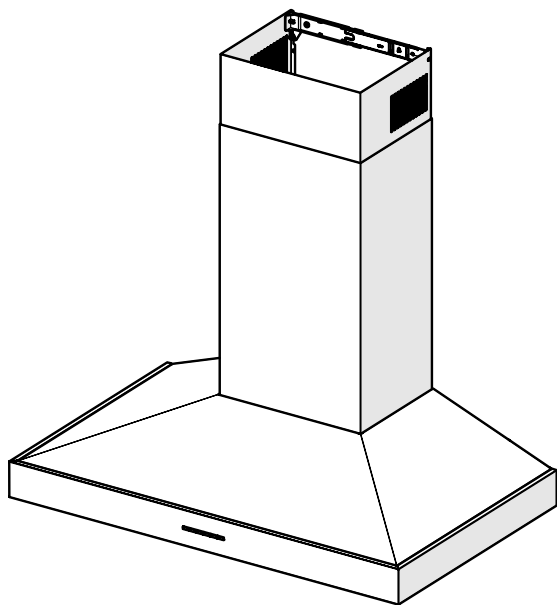


AMALFI
ZAM-E30AS
ZAM-E36AS



RANGE HOOD - Installation Instructions

ENGLISH.....3

FRANÇAIS.....23

Table of Contents

SAFETY INSTRUCTIONS.....	pag. 4
LIST OF MATERIALS	pag.10
DUCTING CALCULATION SHEET.....	pag. 11
HOOD SPECIFICATION	pag. 12
INSTALLATION	
- POWER SUPPLY CONNECTION	pag. 13
- DUCTING OPTIONS	pag. 14
- MOUNTING THE RANGE HOOD	pag. 15
- INSTALLATION - DUCT COVERS.....	pag. 16
TOUCH CONTROL.....	pag. 17
MAINTENANCE.....	pag. 19
WIRING DIAGRAM.....	pag. 20
LIST OF PARTS AND ACCESSORIES	pag. 21
WARRANTY.....	pag. 22

Safety Instructions 1/6

■ IMPORTANT SAFETY INSTRUCTIONS

■ FOR RESIDENTIAL USE ONLY

■ READ AND SAVE THESE INSTRUCTIONS

■ PLEASE READ ENTIRE INSTRUCTIONS BEFORE PROCEEDING.

■ **IMPORTANT:** Save these Instructions for the Local Electrical Inspectors use.

■ **INSTALLER:** Please leave these Instructions with this unit for the owner.

■ **OWNER:** Please retain these instructions for future reference.

■ Take care when using cleaning agents or detergents.

■ Suitable for use in household cooking area.

■ **WARNING** - To reduce the risk of fire or electric shock, do not use this fan with any Solid-State Speed Control Device.

■ **CAUTION** - To reduce risk of fire and to properly exhaust air, be sure to duct air outside – Do not vent exhaust air into spaces within walls or ceilings or into attics, crawl spaces, or garages.

■ **CAUTION** - For general ventilating use only. Do not use to exhaust hazardous or explosive materials and vapors.

■ **CAUTION** - To avoid motor bearing damage and noisy and/or unbalanced impellers, keep drywall spray, construction dust, etc. off power unit.

■ **CAUTION** - Please read specification label on product for further information and requirements.

■ **WARNING** – TO REDUCE THE RISK OF FIRE, ELECTRIC SHOCK, OR INJURY TO PERSONS, OBSERVE THE FOLLOWING:

- A. Use this unit only in the manner intended by the manufacturer. If you have questions, contact the manufacturer.
- B. Before servicing or cleaning unit, switch power off at service panel and lock the service disconnecting means to prevent power from being switched on accidentally. When the service disconnecting means cannot be locked, securely fasten a prominent warning device, such as a tag, to the service panel.
- C. To reduce the risk of fire, electric shock or injury to persons, do not use replacement parts that have not been recommended by the manufacturer (e.g. parts made at home using a 3D printer).

Safety Instructions 2/6

■ **WARNING - TO REDUCE THE RISK OF A RANGE TOP GREASE FIRE:**

- A. Never leave surface units unattended at high settings. Boilovers cause smoking and greasy spillovers that may ignite. Heat oils slowly on low or medium settings.
- B. Always turn hood ON when cooking at high heat or when flambing foods (i.e. Crepes Suzette, Cherries Jubilee, Peppercorn Beef Flambè).
- C. Clean ventilating fans frequently. Grease should not be allowed to accumulate on fan or filter.
- D. Use proper pan size. Always use cookware appropriate for the size of the surface element.
- E. Keep fan, filters and grease laden surface clean.
- F. Use high range setting on range only when necessary. Heat oil slowly on low to medium setting.
- G. Don't leave range unattended when cooking.
- H. Always use cookware and utensils appropriate for the type and amount of food being prepared.

■ **WARNING – TO REDUCE THE RISK OF INJURY TO PERSONS IN THE EVENT OF A RANGE TOP GREASE FIRE, OBSERVE THE FOLLOWING^a:**

- A. SMOTHER FLAMES with a close-fitting lid, cookie sheet, or metal tray, then turn off the burner. BE CAREFUL TO PREVENT BURNS. If the flames do not go out immediately, EVACUATE AND CALL THE FIRE DEPARTMENT.
- B. NEVER PICK UP A FLAMING PAN – You may be burned.
- C. DO NOT USE WATER, including wet dishcloths or towels – a violent steam explosion will result.
- D. Use an extinguisher ONLY if:
 - 1. You know you have a Class ABC extinguisher, and you already know how to operate it.
 - 2. The fire is small and contained in the area where it started.
 - 3. The fire department is being called.
 - 4. You can fight the fire with your back to an exit.

^aBased on “kitchen firesafety tips” published by NFPA

Proper maintenance of the Range Hood will assure proper performance of the unit.

■ **INSTALLATION INSTRUCTIONS**

WARNING – TO REDUCE THE RISK OF FIRE, ELECTRIC SHOCK, OR INJURY TO PERSONS, OBSERVE THE FOLLOWING:

Safety Instructions 3/6

- A. Installation work and electrical wiring must be done by qualified person(s) in accordance with all applicable codes and standards, including fire-rated construction.
- B. Sufficient air is needed for proper combustion and exhausting of gases through the flue (chimney) of fuel burning equipment to prevent back drafting. Follow the heating equipment manufacturer's guideline and safety standards such as those published by the National Fire Protection Association (NFPA), and the American Society for Heating, Refrigeration and Air Conditioning Engineers (ASHRAE), and the local code authorities.
- C. When cutting or drilling into wall or ceiling, do not damage electrical wiring and other hidden utilities.
- D. Ducted fans used to exhaust contaminants must always be vented to the outdoors.
- E. This unit must be grounded.

■ **WARNING** - TO REDUCE THE RISK OF FIRE, USE ONLY METAL DUCTWORK.

■ **WARNING** - UNDER CERTAIN CIRCUMSTANCES DOMESTIC APPLIANCES MAY BE DANGEROUS.

- A. Do not check filters with hood working.
- B. Do not touch the lamps after a prolonged use of the appliance.
- C. No food must be cooked flambè underneath the hood.
- D. The use of an unprotected flame is dangerous for the filters and could cause fires.
- E. Watch constantly the fried food in order to avoid the cooking oil flares up.
- F. Before performing any maintenance operation, disconnect the hood from the electrical service.

■ The manufacturers will not to accept any responsibility for eventual damages, because of failure to observe the above instructions.

Electrical Requirements

Important:

- Observe all governing codes and ordinances.
- It is the customer's responsibility to be aware of these below:
- To contact a qualified electrical installer.
- To assure that the electrical installation is adequate and in conformance with National Electrical Code, ANSI/NFPA 70 latest edition* or CSA standards C22.1-94, Canadian Electrical Code, Part 1 and C22.2 No.0-M91 - latest edition** and all local codes and ordinances.
- If codes permit and a separate ground wire is used, it is recommended that a qualified electrician determine that the ground path is adequate.

Safety Instructions 4/6

- Do not ground to a gas pipe.
 - Check with a qualified electrician if you are not sure the range hood is properly grounded.
 - Do not have a fuse in the neutral or ground circuit.
 - This appliance requires a 120V 60Hz electrical supply and connected to an individual properly grounded branch circuit protected by a 15 or 20 ampere circuit breaker or time delay fuse. Wiring must be 2 wire with ground. Please also refer to Electrical Diagram on product.
 - A cable locking connector (not supplied) might also be required by local codes. Check with local requirements, purchase and install appropriate connector if necessary.
 - CAUTION: Accessible parts may become hot when used with cooking appliances
 - If the appliance version is with LED lamps, the intervention of a specialised technician is necessary to replace them.
 - The air must not be discharged into a flue that is used for exhausting fumes from appliances burning gas or other fuels
 - If a STATIONARY APPLIANCE is not fitted with a SUPPLY CORD and a plug, or with other means for disconnection from the supply mains having a contact separation in all poles that provide full disconnection under overvoltage category III conditions, the instructions shall state that means for disconnection must be incorporated in the fixed wiring in accordance with the wiring rules.
 - The disconnection may be achieved by having the plug accessible or by incorporating a switch in the fixed wiring in accordance with the wiring rules.
- * National Fire Protection Association Batterymarch Park, Quincy, Massachusetts 02269
- ** CSA International 8501 East Pleasant Valley Road, Cleveland, Ohio 44131-5575

Federal Communication Commission Interface Statement

- This equipment has been tested and found to comply with the limits for a Class B digital device, pursuant to Part 15 of the FCC Rules. These limits are designed to provide reasonable protection against harmful interference in a residential installation.
- This equipment generates, uses and can radiate radio frequency energy and, if not installed and used in accordance with the instructions, may cause harmful interference to radio communications. However, there is no guarantee that interference will not occur in a particular installation. If this equipment does cause harmful interference to radio or television reception, which can be determined by turning the equipment off and on, the user is encouraged to try to correct the interference by one of the following measures:
- Reorient or relocate the receiving antenna.
- Increase the separation between the equipment and receiver.

Safety Instructions 5/6

- Connect the equipment into an outlet on a circuit different from that to which the receiver is connected.
- Consult the dealer or an experienced radio/TV technician for help.

SAFETY PRECAUTION

1. Take care when the cooker hood is operating simultaneously with an open fireplace or burner that depend on the air in the environment and are supplied by other than electrical energy, as the cooker hood removes the air from the environment which a burner or fireplace need for combustion. The negative pressure in the environment must not exceed 4Pa (4x10⁻⁵ bar). Provide adequate ventilation in the environment for a safe operation of the cooker hood. Follow the local laws applicable for external air evacuation.

Before connecting the model to the electricity network:

- Control the data plate (positioned inside the appliance) to ascertain that the voltage and power correspond to the network and the socket is suitable. If in doubt ask a qualified electrician.
- If the power supply cable is damaged, it must be replaced with another cable or a special assembly, which may be obtained direct from the manufacturer or from the Technical Assistance Centre.

2. Warning!

In certain circumstances electrical appliances may be a danger hazard.

- A) Do not check the status of the filters while the cooker hood is operating.**
- B) Do not touch bulbs or adjacent areas, during or straight after prolonged use of the lighting installation.**
- C) Flambè cooking is prohibited underneath the cooker hood.**
- D) Avoid free flame, as it is damaging for the filters and a fire hazard.**
- E) Constantly check food frying to avoid that the overheated oil may become a fire hazard.**
- F) Disconnect the electrical plug prior to any maintenance.**
- G) This appliance can be used by children aged from 8 years and above and persons with reduced physical, sensory or mental capabilities or lack of experience and knowledge if they have been given supervision or instruction concerning use of the appliance in a safe way and understand the hazards involved. Children shall not play with the appliance. Cleaning and user maintenance shall not be made by children without supervision.**
- H) Young children should be supervised to ensure they do not play with the appliance.**
- I) There shall be adequate ventilation of the room when the rangehood is used at the same time as appliances burning gas or other fuels.**

Safety Instructions 6/6

L) There is a risk of fire if cleaning is not carried out in accordance with the instructions.

INSTALLATION INSTRUCTIONS

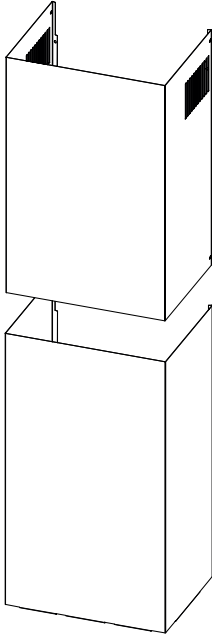
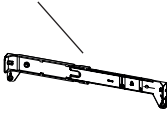
- **Assembly and electrical connections must be carried out by specialised personnel.**
- **Wear protective gloves before proceeding with the installation.**



WARNING Prop. 65 Warning for California Residents: This product may contain chemicals known to the State of California to cause cancer, birth defects, or other reproductive harm.

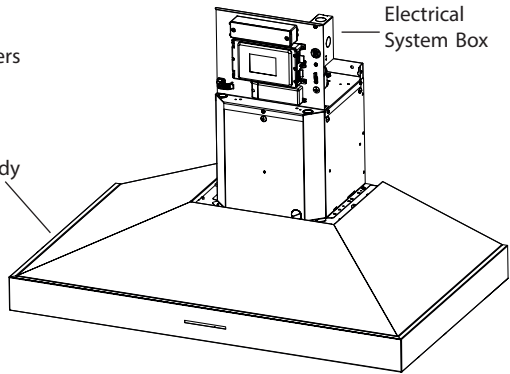
List of Materials

Duct Cover Bracket



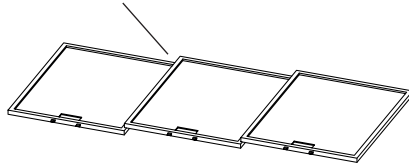
Duct Covers

Body



Electrical System Box

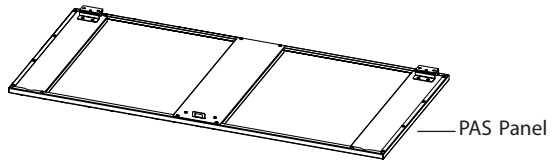
Aluminum mesh filter



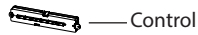
Cable with carabiner



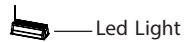
Hardware



PAS Panel

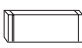
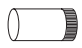
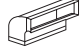
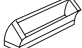







Control












Led Light

Ducting Calculation Sheet

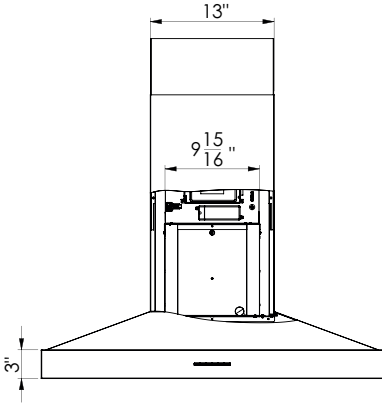
Duct pieces		Equivalent number length x used =	Total
	3-1/4" x 10" Rect., straight	1 Ft. x () =	Ft.
	6", 7", 8", 10" Round, straight	1 Ft. x () =	Ft.
	3-1/4" x 10" Rect. 90° elbow	15 Ft. x () =	Ft.
	3-1/4" x 10" Rect. 45° elbow	9 Ft. x () =	Ft.
	3-1/4" x 10" Rect. 90° flat elbow	24 Ft. x () =	Ft.
	7" to 6" or 8" to 7" Round tapered reducer	25 Ft. x () =	Ft.
	6", 7", 8" Round in-line damper	15 Ft. x () =	Ft.
	6", 7", 8", 10" Round, 90° elbow	15 Ft. x () =	Ft.
	6", 7", 8", 10" Round, 45° elbow	9 Ft. x () =	Ft.
Subtotal column 1 =			Ft.

Maximum Duct Length: For satisfactory air movement, the total duct length should not exceed 150 equivalent feet.

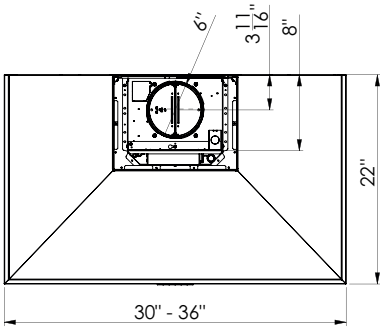
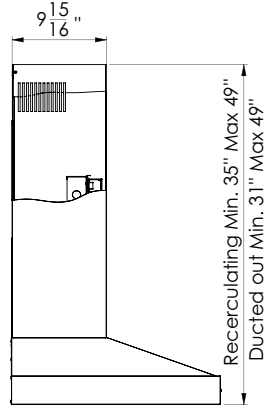
Duct pieces		Equivalent number length x used =	Total
	3-1/4" x 10" Rect. to 6" round transition	5 Ft. x () =	Ft.
	3-1/4" x 10" Rect. to 6" round transition 90° elbow	20 Ft. x () =	Ft.
	6" round to 3-1/4" x 10" rect. transition	1 Ft. x () =	Ft.
	6" round to 3-1/4" x 10" rect. transition 90° elbow	16 Ft. x () =	Ft.
	7" round to 3 1/4" x 10" rect. transition	8 Ft. x () =	Ft.
	7" round to 3-1/4" x 10" rect. transition 90° elbow	23 Ft. x () =	Ft.
	3-1/4" x 10" wall cap with damper	30 Ft. x () =	Ft.
	6", 7", 8", 10" Round, wall cap with damper	30 Ft. x () =	Ft.
	6", 7", 8", 10" Round roof cap	30 Ft. x () =	Ft.
Subtotal column 2 =			Ft.
Subtotal column 1 =			Ft.
Total ductwork =			Ft.

Hood Specifications

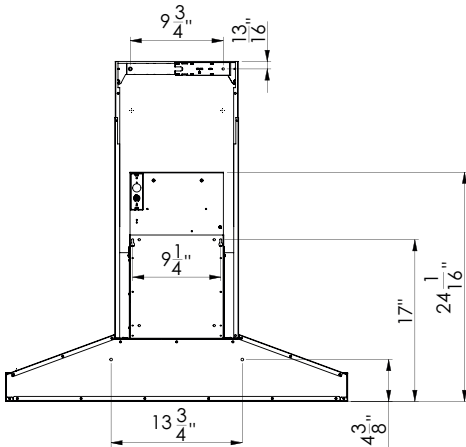
front of hood



side of hood



top of hood



back of hood



Installation - Power Supply Connection

■ GENERAL

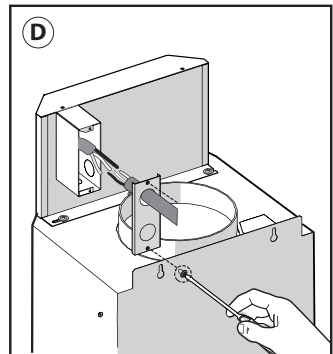
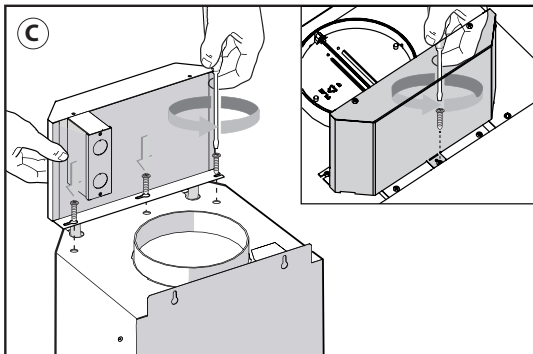
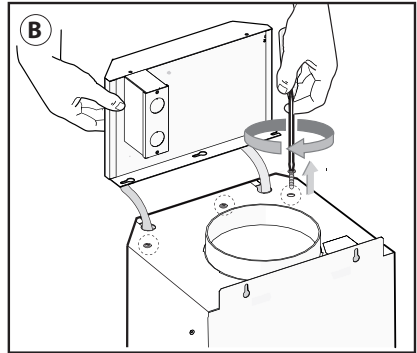
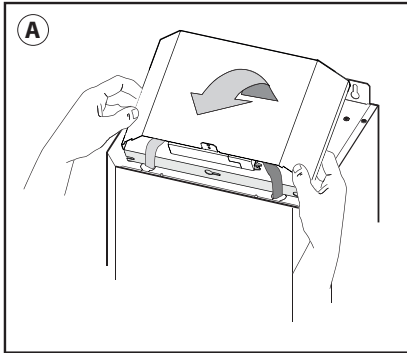
• Carefully read the following important information regarding installation safety and maintenance. Keep this information booklet accessible for further consultations.

A. Lift the electrical plant box.

B. Remove the 3 fixed screws.

C. Position the electrical box so it is in the line with the holes of the previously removed screws and tighten.

D. 1. Route the power cord to the junction box.



2. Using listed conduit fittings and connectors, connect the power supply to the box and each line to the appropriate wire following this color convention:

BLACK = HOT LEG

WHITE = NEUTRAL

GREEN/YELLOW = GROUND

Polarity must be observed. Unit must be properly grounded. Use a double throw disconnect switch.

3. Replace the box cover.

All wiring must be in compliance with national electrical code, ANSI/NFPA 70-1999 and all local codes and regulations.

Installation - Ducting Options

■ WARNING FIRE HAZARD

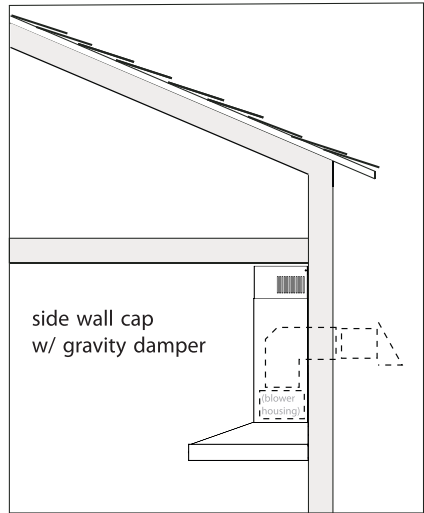
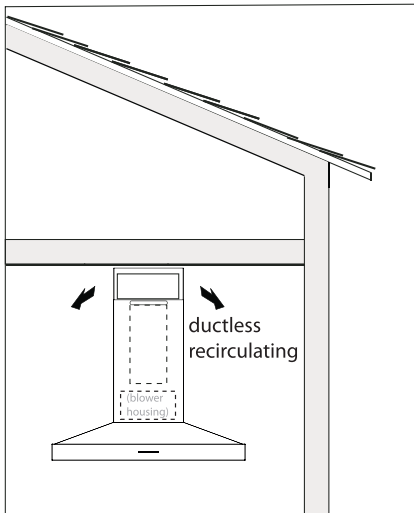
NEVER exhaust air or terminate duct work into spaces between walls, crawl spaces, ceiling, attics or garages.

All exhaust must be ducted to the outside, unless using the recirculating option.

Use single wall rigid Metal ductwork only.

Fasten all connections with sheet metal screws and tape all joints with certified Silver Tape or Duct Tape.

Some Ducting Options



Installation - Mounting the Range Hood

■ MOUNTING HEIGHTS

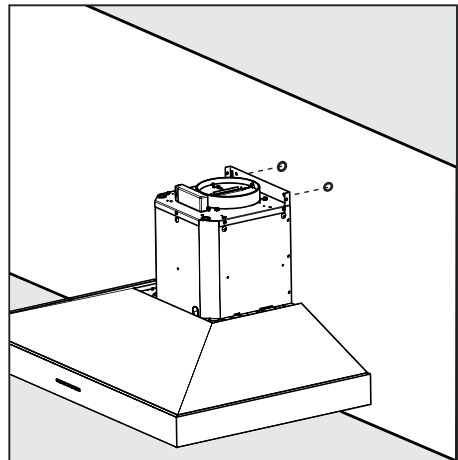
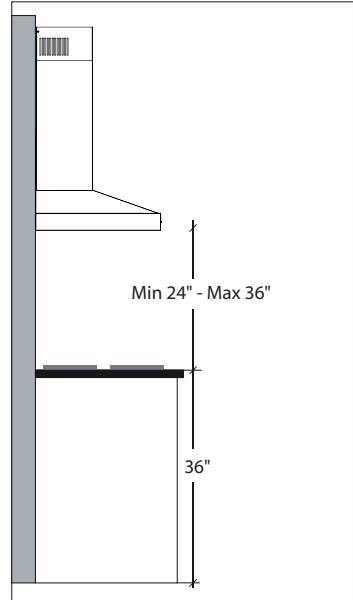
The range hood must be installed at a minimum height of 24 inches (61cm) from the cooking surface. If a connecting duct work composed of two parts is used, the upper part must be placed outside the lower part. Do not connect the range hood duct to the same duct used to exhaust hot air or fumes from another appliance. Before proceeding with the assembly instructions remove the decorative mesh filters so that the range hood is easier to handle.

■ MOUNTING TO THE WALL

1. Position the hood in accordance with the dimensions indicated (see 'hood specifications').
2. Lift the hood onto the screws and adjust to make sure the hood is level.
3. When the hood has been adjusted tighten the screws to secure the hood in place.

NOTE: Screws must be fastened into wooden studs so wood blocking may be necessary. If using wall anchors make sure to check your local codes for suitability and type of anchors to use.

NOTE1: For the various installations use screws and screw anchors suited to the type of wall.



Installation – Duct Covers

1. Arrange the electrical power supply within the dimensions of the duct covers. If your appliance is to be installed in the ducting version, prepare the air exhaust opening.

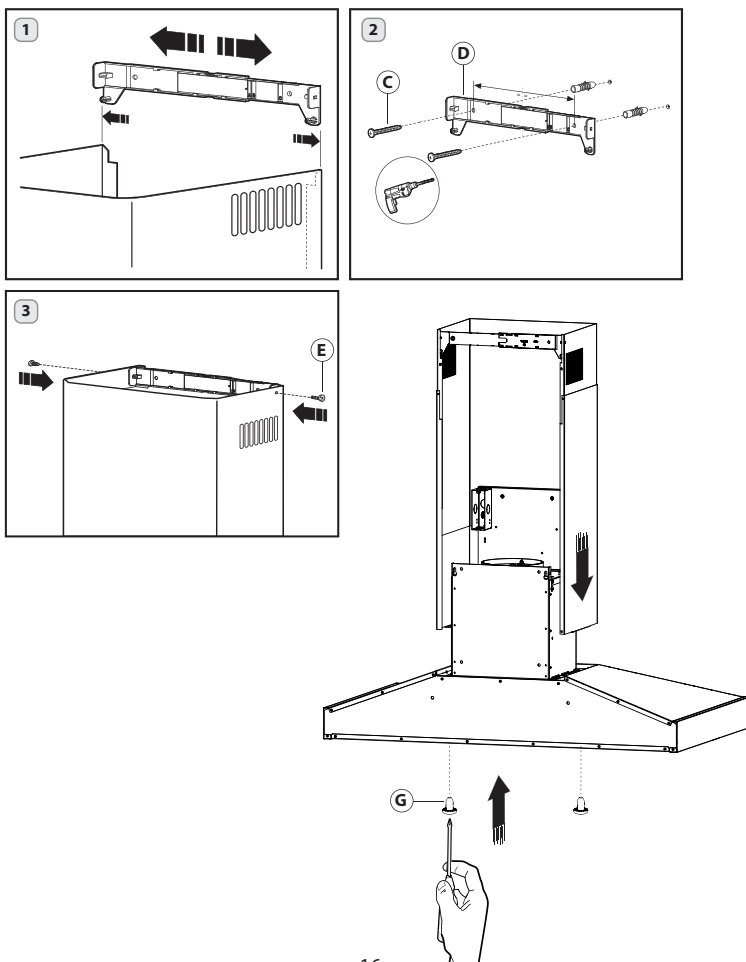
2. Adjust the width of the support bracket (**D**) of the upper duct cover (Fig.1).

3. Then fix it to the ceiling using the screws **C** (Fig.2) in such a way that it is in line with your hood and respecting the distance from the ceiling indicated in the "hood specifications".

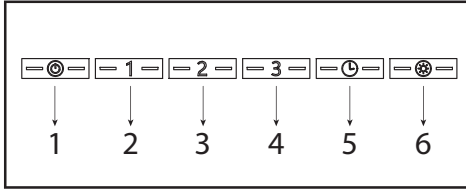
4. Insert the upper duct cover into the lower duct cover.

5. Fix the lower duct cover to the hood using the screws **G** provided, extract the upper duct cover up to the bracket and fix it with the screws **E** (Fig.3).

If using the hood in recirculating mode you must secure the air diverter plate onto wall before installing duct work and duct covers. Please refer to recirculating kit instructions.



Touch Control



1 – Power Button: power Button will turn power on and off for entire hood (fan and lights). Hood will remember the last speed and light level it was last turned off at.

2 - Low speed button: press once for low speed.

3 - Medium speed button: press once for medium speed.

4 - High speed button: press once for high speed.

5 - Delay Off Timer Button: press button 5 to enable a 10-minute delay off timer and changes the fan speed to 1. While enabled, the backlight blinks. After 10 minutes, the fan and lights turn off.

To disable the function press Button 5, change the fan speed and press Button 1. The function can only be activated when the hood is switched on.

6 - Lights Button: press button 6 to cycle through the settings. Bright – Dim – Off. When the lights are on, the button will remain backlit.

KELVIN ADJUSTABILITY (TRUHUE): With Lights off, press and hold Button 6 for 3 seconds. The lights will then turn on and Button 6 will blink, allowing the color temperature to be adjusted. Press Button 1 for 2700K, press Button 2 for 3000K, press Button 3 for 3500K, press Button 4 for 4000K, or press Button 5 for 5000K. Press Button 6 to confirm the selection (or it will confirm automatically after 5 seconds of no button press). The default color temperature is 3000K.

GREASE FILTER CLEAN REMINDER: After 60 hours of fan usage, Button 2 will start blinking when the hood is on, indicating it is time to clean the filters. To Reset: With the hood on press and hold Button 2 for three seconds, the button 2 will stop blinking and the timer resets.

CHARCOAL FILTER REMINDER: By default, the feature is not enabled. To enable the feature, with the hood off press buttons 4 and 5 for three seconds. The Buttons 4 and 5 blink three times to confirm the feature is enabled.

After 200 hours of fan usage, Button 4 will start blinking indicating it is time to change the charcoal filters when the hood is on. To Reset: Press and hold Button 4 for three seconds and the Button 4 stops blinking. To disable the charcoal filter timer, with the hood off press Buttons 4 and 5 for three seconds. Buttons 4 and 5 will steadily illuminate for three seconds to confirm the function is disabled.

REMOTE CONTROL PAIRING: With the hood off press and hold Button 1 for three seconds. Button 4 will begin blinking continuously until the remote control is paired. You will have 20 seconds to complete the remote pairing procedure. Press any button on Remote Control. To confirm the pairing procedure, press the Light button on the remote to verify the hood lights turn on.

AIRFLOW CONTROL TECHNOLOGY (ACT):

ACT 390: With the hood off, press Buttons 3 and 4 for three seconds, the speeds set up will change to 1-2-3. Both Buttons 3 and 4 blink for two seconds.

ACT 290: With the hood off, press Buttons 2 and 3 for three seconds, the speeds set up will change to 1-2-2. Both Buttons 2 and 3 blink for two seconds.

ACT 600 - Default: Range hood default speeds are: 1-2-4.

ACT Verification: With the hood off, press Buttons 5 and 6 for three seconds to verify the ACT setting. The relevant Buttons will illuminate for three seconds to indicate the ACT setting.

- If Buttons 3 and 4 illuminate = ACT 390 enabled
- If Buttons 2 and 3 illuminate = ACT 290 enabled
- If Buttons 2 and 4 illuminate = The default CFM is enabled

GENERAL INFORMATION:

- Remove any protective film from the remote surface prior to using it.
- The remote control has a range of approximately 10-15 feet.
- The remote control is equipped with a magnetic base and may be attached to ferrous surface for easy storage.

Use care when handling and cleaning the remote; we suggest using a microfiber cloth to clean it.



Maintenance

- It is recommended to operate the appliance prior to cooking. It is recommended to leave the appliance in operation for 5 minutes after cooking is completed in order to completely eliminate cooking vapors and odors. The proper function of the range hood is conditioned by the regularity of maintenance.

- The decorative mesh filters capture the grease particles suspended in the air and are therefore subject to clogging because of frequent use. In order to prevent a fire hazard, it is recommended to clean the filter a minimum of every 2 months or when instructed by the Metal Filter Clean indicator on the range hood controls. Clean the range hood by carrying out the following instructions:

- Remove the filters from the range hood and wash them in a solution of water and neutral liquid detergent, leaving to soak.

- Rinse thoroughly with warm water and leave to dry.

- Filters may also be washed in the dishwasher at the lowest setting.

The filters may alter in color after several washes but is not cause for replacement.

- Clean the blower and other surfaces of the range hood regularly using a cloth moistened with denatured alcohol or non abrasive liquid detergent.

List of Parts and Accessories

DESCRIPTION	HOOD	PART#
REPLACEMENT PARTS		
LED Light	ZAM	ZOB0057
Aluminum Mesh Filter	ZAM	5020008
OPTIONAL ACCESSORIES		
Remote Control	ZAM	RC-0003
Duct Cover Extension, Stainless Steel	ZAM	Z1C-01AM

To order parts, visit us online at <http://store.zephyronline.com>

UL References	



ZEPHYR Limited Warranty

TO OBTAIN SERVICE UNDER WARRANTY OR FOR ANY SERVICE RELATED QUESTIONS
United States Customers please call: 1-888-880-8368 or contact us at: zephyronline.com/contact
Canada Customers please call: 1-888-812-8311 or Email: ven-tech@broan.com

Zephyr Ventilation, LLC (referred to herein as “we” or “us”) warrants to the original consumer purchaser (referred to herein as “you” or “your”) of Zephyr products (the “Products”) that such Products will be free from defects in materials or workmanship as follows:

Two Year Limited Warranty for Parts: For two years from the date of your original purchase of the Products, we will provide, free of charge, Products or parts (including LED light bulbs, if applicable) to replace those that failed due to manufacturing defects subject to the exclusions and limitations below. We may choose, in our sole discretion, to repair or replace parts before we elect to replace the Products.

One Year Limited Warranty for Labor: For one year from the date of your original purchase of the Products, we will provide, free of charge, the labor cost associated with repairing the Products or parts to replace those that failed due to manufacturing defects subject to the exclusions and limitations below. After the first year from the date of your original purchase, you are responsible for all labor costs associated with this warranty.

Warranty Exclusions: This warranty covers only repair or replacement, at our option, of defective Products or parts and does not cover any other costs related to the Products including but not limited to: (a) normal maintenance and service required for the Products and consumable parts such as fluorescent, incandescent or halogen light bulbs, mesh and char-coal filters and fuses; (b) any Products or parts which have been subject to freight damage, misuse, negligence, accident, faulty installation or installation contrary to recommended installation instructions, improper maintenance or repair (other than by us); (c) commercial or government use of the Products or use otherwise inconsistent with its intended purpose; (d) natural wear of the finish of the Products or wear caused by improper maintenance, use of corrosive and abrasive cleaning products, pads, and oven cleaner products; (e) chips, dents or cracks caused by abuse or misuse of the Products; (f) service trips to your home to teach you how to use the Products; (g) damage to the Products caused by accident, fire, floods, acts of God; or (h) Custom installations or alterations that impact serviceability of the Products. If you are outside our service area, additional charges may apply for shipping costs for warranty repair at our designated service locations and for the travel cost to have a service technician come to your home to repair, remove or reinstall the Products. After the first year from the date of your original purchase, you are also responsible for all labor costs associated with this warranty. All Products must be installed by a qualified professional installer to be eligible for warranty repairs or service.

Limitations of Warranty. OUR OBLIGATION TO REPAIR OR REPLACE, AT OUR OPTION, SHALL BE YOUR SOLE AND EXCLUSIVE REMEDY UNDER THIS WARRANTY. WE SHALL NOT BE LIABLE FOR INCIDENTAL, CONSEQUENTIAL OR SPECIAL DAMAGES ARISING OUT OF OR IN CONNECTION WITH THE USE OR PERFORMANCE OF THE PRODUCTS. THE EXPRESS WARRANTIES IN THE PRECEDING SECTION ARE EXCLUSIVE AND IN LIEU OF ALL OTHER EXPRESS WARRANTIES. WE HEREBY DISCLAIM AND EXCLUDE ALL OTHER EXPRESS WARRANTIES FOR THE PRODUCTS, AND DISCLAIM AND EXCLUDE ALL WARRANTIES IMPLIED BY LAW, INCLUDING THOSE OF MERCHANTABILITY AND FITNESS FOR A PARTICULAR PURPOSE.

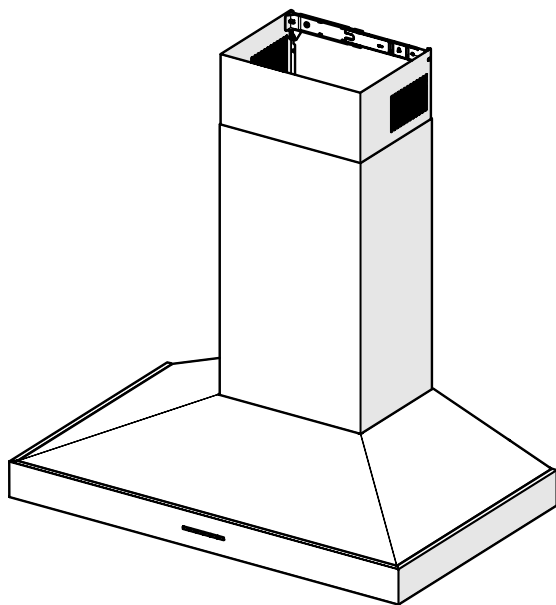
Some states or provinces do not allow limitations on the duration of an implied warranty or the exclusion or limitation of incidental or consequential damages, so the above limitations or exclusions may not apply to you. To the extent that applicable law prohibits the exclusion of implied warranties, the duration of any applicable implied warranty is limited to the same two-year and one-year periods described above if permitted by applicable law. Any oral or written description of the Products is for the sole purpose of identifying the Products and shall not be construed as an express warranty. Prior to using, implementing or permitting use of the Products, you shall determine the suitability of the Products for the intended use, and you shall assume all risk and liability whatsoever in connection with such determination. We reserve the right to use functionally equivalent refurbished or reconditioned parts or Products as warranty replacements or as part of warranty service. This warranty is not transferable from the original purchaser and only applies to the consumer residence where the Product was originally installed located in the United States and Canada. This warranty is not extended to resellers.

To Obtain Service Under Limited Warranty: To qualify for warranty service, you must: (a) notify us at the address or telephone number stated below within 60 days of the discovery of the defect; (b) give the model number and serial number; and (c) describe the nature of any defect in the Product or part. At the time of the request for warranty service, you must present evidence of your proof of purchase and proof of the original purchase date. If we determine that the warranty exclusions listed above apply or if you fail to provide the necessary documentation to obtain service, you will be responsible for all shipping, travel, labor and other costs related to the services. This warranty is not extended or restarted upon warranty repair or replacements.

Please check our website for any additional Product information, www.zephyronline.com.

Zephyr, 2277 Harbor Bay Parkway, Alameda, CA 94502

AMALFI
ZAM-E30AS
ZAM-E36AS



HOTTE PER CUISINE - Notice d'Utilisation

ENGLISH.....3

FRANÇAIS.....23

Sommaire

INSTRUCTIONS DE SECURITE	pag. 25
LISTE DES MATERIAUX.....	pag. 31
FEUILLE POUR CALCULER LES CONDUITS	pag. 32
SPECIFICATIONS TECHNIQUES	pag. 33
INSTALLATION	
- RACCORDEMENT AU RESEAU ELECTRIQUE.....	pag. 34
- OPTIONS D'ASPIRATION.....	pag. 35
- FIXATION DE LA HOTTE	pag. 36
- INSTALLATION - HABILLAGES DE CONDUITS	pag. 37
CONTRÔLE TACTILEE	pag. 38
ENTRETIEN	pag. 40
SCHÉMA DE CABLAGE	pag. 41
LISTE DE PIÈCES DÉTACHÉES ET ACCESSOIRES	pag. 42
GARANTIE LIMITÉE	pag. 43

Instructions De Securite 1/6

- **INSTRUCTIONS DE SECURITE IMPORTANTES**
- **POUR UN USAGE DOMESTIQUE EXCLUSIVEMENT**
- **LIRE ET CONSERVER LES INSTRUCTIONS**
- **COMMENCER PAR LIRE ENTIEREMENT LES INSTRUCTIONS.**
- **IMPORTANT:** Conserver les Instructions à usage des Inspecteurs Electriques Locaux.
- **A L'ATTENTION DE L'INSTALLATEUR:** Laisser les Instructions dans l'unité à usage du propriétaire.
- **A L'ATTENTION DU PROPRIETAIRE:** Conserver les Instructions pour des consultations ultérieures.

- N'utiliser des produits de nettoyage ou des détergents qu'avec la plus grande prudence.
- Cet appareil est propre à une utilisation domestique et culinaire.

- **AVERTISSEMENT** – Afin de réduire les risques d'incendie ou d'électrocution, ne pas utiliser le moteur avec un Dispositif de Contrôle de la Vitesse à Semi-conducteurs quel qu'il soit.

- **ATTENTION** – Afin de réduire les risques d'incendie et de permettre une aspiration correcte de l'air, s'assurer que celui-ci est bien transporté à l'extérieur à travers un conduit d'évacuation. – Ne pas évacuer l'air dans des interstices tels qu'entre des cloisons ou des plafonds, dans des greniers, des espaces confinés ou des garages.

- **ATTENTION** – N'utiliser que pour une ventilation générique. Cet appareil n'est pas propre à l'aspiration de matières ou de vapeurs dangereuses ou explosives.

- **ATTENTION** – Afin d'éviter des bruits et des dommages au niveau du moteur, et/ou un déséquilibre au niveau des hélices, veiller à ce que l'unité d'alimentation n'entre pas en contact avec du spray, de la poussière etc.

- **ATTENTION** – Pour obtenir des compléments d'informations, consulter l'étiquette de spécification sur le produit.

- **AVERTISSEMENT** – AFIN DE RÉDUIRE LES RISQUES D'INCENDIE, D'ÉLECTROCUTION OU DE DOMMAGES AUX PERSONNES, RESPECTER LES REGLES SUIVANTES:
 - A. N'utiliser l'unité que pour les opérations prévues par le fabricant. Pour toute question éventuelle, contacter le fabricant.
 - B. Avant d'effectuer des opérations de maintenance ou de nettoyage sur

Instructions De Securite 2/6

l'unité, débrancher le panneau de service et fermer à clef les commandes de déconnexion afin d'éviter toute mise sous tension accidentelle. Au cas où les commandes de déconnexion ne pourraient être fermées à clef, fixer sur le panneau de service un message avertissant du danger, par exemple une plaque.

- C. Afin de réduire les risques d'incendie, de choc électrique ou de blessures corporelles, n'utilisez pas de pièces de rechange non recommandées par le fabricant (par exemple des pièces fabriquées à la maison à l'aide d'une imprimante 3D).

■ AVERTISSEMENT – AFIN DE RÉDUIRE LES RISQUES D'INCENDIE PAR INFLAMMATION DES GRAISSES PRESENTES SUR LA GAZINIÈRE:

- A. Ne jamais laisser de casseroles sur feu vif sans surveillance. D'éventuels débordements dus à une forte ébullition peuvent provoquer de la fumée et des dépôts de graisses susceptibles de prendre feu. Réchauffer l'huile lentement, à petit feu ou moyen.
- B. ALLUMER systématiquement la hotte pour cuisiner à des températures élevées ou pour flamber des aliments (ex. : Crêpes Suzette, Cherries Jubilee – cerises flambées au brandy et glace -, Boeuf flambé au poivre).
- C. Nettoyer souvent le moteur. Eviter que les graisses ne s'accumulent sur le moteur ou sur le filtre.
- D. Utiliser des plats aux dimensions adaptées. Toujours utiliser des ustensiles de cuisine adaptés à la taille de la casserole qui se trouve sur la cuisinière.
- E. Veiller à ce que le moteur, les filtres et la surface où viennent s'accumuler les graisses restent propres.
- F. N'utiliser une flamme élevée que lorsque cela est nécessaire. Réchauffer l'huile lentement, à faible ou moyenne température.
- G. Ne jamais laisser la cuisinière sans surveillance pendant la cuisson.
- H. Utiliser systématiquement des ustensiles de cuisine adaptés au type et à la quantité d'aliments que l'on prépare.

■ AVERTISSEMENT – AFIN DE RÉDUIRE LES RISQUES DE DOMMAGES AUX PERSONNES EN CAS D'INCENDIE PAR INFLAMMATION DES GRAISSES PRESENTES SUR LA CUISINIÈRE, RESPECTER LES REGLES SUIVANTES a:

- A. ETOUFFER LA FLAMME à l'aide d'un couvercle hermétique, une plaque à four ou un plateau en métal et éteindre le brûleur. PROCEDER AVEC LA PLUS GRANDE PRUDENCE AFIN D'ÉVITER TOUTE BRULURE. Si les flammes ne s'éteignent pas immédiatement, EVACUER LA PIÈCE ET APPELER LES POMPIERS.
- B. NE JAMAIS TOUCHER UN PLAT EN FEU – on risque de se brûler.
- C. NE PAS UTILISER D'EAU, ni de chiffons ou de serviettes humides – cela pourrait provoquer une violente explosion de vapeur.
- D. Utiliser un extincteur UNIQUEMENT dans les cas suivants:

Instructions De Securite 3/6

1. On dispose d'un extincteur de Classe ABC que l'on sait faire fonctionner.
2. L'incendie est peu important et il est confiné à la zone où il a éclaté.
3. On a déjà appelé les pompiers.
4. On peut affronter les flammes tout en ayant une issue de secours derrière soi.
aBasé sur les « mesures de sécurité incendie dans la cuisine » publiées par l'organisme NFPA.

Une bonne maintenance de la hotte garantit le parfait fonctionnement de l'unité.

■ INSTRUCTIONS D'INSTALLATION

AVERTISSEMENT – AFIN DE RÉDUIRE LES RISQUES D'INCENDIE, D'ÉLECTROCUTION OU DE DOMMAGES AUX PERSONNES, RESPECTER LES REGLES SUIVANTES:

- A. Les opérations d'installation et de branchement électrique doivent être effectuées par du personnel qualifié, conformément aux lois et aux normes en vigueur, y compris celles relatives aux appareils à feu.
- B. Il est nécessaire de disposer d'une quantité d'air suffisante pour une bonne combustion et aspiration des gaz à travers le conduit de fumée de l'installation de combustion du carburant, afin d'éviter un appel d'air de l'arrière. Suivre les indications du fabricant de l'installation de chauffage et les normes de sécurité correspondantes telles que celles émises par l'Association Nationale de Protection contre les Incendies (National Fire Protection Association - NFPA), la Société Américaine des Techniciens de Chauffage, Réfrigération et Climatisation de l'Air (American Society for Heating, Refrigeration and Air Conditioning Engineers - ASHRAE), et par les autorités locales préposées.
- C. Au cours des opérations de découpage ou de perforation du mur ou du plafond, veiller à ne pas endommager les câbles électriques ou d'autres canalisations cachées.
- D. Les ventilateurs utilisés pour évacuer les contaminants doivent toujours être ventilés vers l'extérieur.
- E. L'unité doit être reliée à la terre.

■ **AVERTISSEMENT** – AFIN DE RÉDUIRE LES RISQUES D'INCENDIE, N'UTILISER QUE DES CONDUITS METALLIQUES

■ **AVERTISSEMENT** – LES APPAREILS ELECTROMENAGERS PEUVENT PARFOIS S'AVERER DANGEREUX.

- A. Ne pas contrôler les filtres lorsque la hotte est en état de marche.
- B. Ne pas toucher les lampes après une utilisation prolongée de l'appareil.
- C. Ne jamais faire flamber d'aliments sous la hotte.
- D. L'usage de flammes libres est dangereux pour les filtres et peut générer des incendies.
- E. Contrôler constamment les fritures pour éviter que des éclaboussures d'huile ne prennent feu.

Instructions De Securite 4/6

- F. Avant d'effectuer toute opération de maintenance, débrancher la hotte du réseau d'alimentation électrique.
- Le fabricant ne pourra être retenu responsable d'éventuels dommages causés par le non respect des instructions susmentionnées.

Exigences électriques

Important:

- Respectez tous les codes et ordonnances en vigueur.
- Il est de la responsabilité du client d'en prendre connaissance ci-dessous:
- Pour contacter un installateur électrique qualifié.
- Pour garantir que l'installation électrique est adéquate et conforme au National Electrical Code, ANSI / NFPA 70 dernière édition * ou aux normes CSA C22.1-94, Code canadien de l'électricité, partie 1 et C22.2 No.0-M91 - dernière édition ** et tous les codes et ordonnances locaux.
- Si les codes le permettent et qu'un fil de terre séparé est utilisé, il est recommandé qu'un électricien qualifié détermine que le chemin de terre est adéquat.
- Ne pas mettre à la terre un tuyau de gaz.
- Vérifiez auprès d'un électricien qualifié si vous n'êtes pas sûr que la hotte est correctement mise à la terre.
- Ne pas avoir de fusible dans le circuit neutre ou de terre.
- Cet appareil nécessite une alimentation électrique de 120 V à 60 Hz et est connecté à un circuit de dérivation individuel correctement mis à la terre protégé par un disjoncteur de 15 ou 20 ampères ou un fusible temporisé. Le câblage doit être à 2 fils avec mise à la terre. Veuillez également vous référer au schéma électrique du produit.
- Un connecteur de verrouillage de câble (non fourni) peut également être requis par les codes locaux. Vérifiez les exigences locales, achetez et installez le connecteur approprié si nécessaire.
- ATTENTION : Les parties accessibles peuvent devenir chaudes lorsqu'elles sont utilisées avec des appareils de cuisson.
- Si la version de l'appareil est avec lampes à LED, elles doivent être obligatoirement remplacées par un technicien spécialisé.
- L'air ne doit pas être évacué dans un conduit utilisé pour l'évacuation des fumées d'appareils fonctionnant au gaz ou à d'autres combustibles.
- Si un APPAREIL STATIONNAIRE n'est pas équipé d'un CORDON D'ALIMENTATION et d'une fiche, ou d'autres moyens de déconnexion du réseau d'alimentation ayant une séparation des contacts dans tous les pôles qui assurent une déconnexion complète dans des conditions de surtension de catégorie III, les instructions doivent indiquer que les moyens de déconnexion doivent être incorporés dans le câblage fixe conformément aux règles de câblage.
- La déconnexion peut être obtenue en rendant la fiche accessible ou en incorporant un interrupteur dans le câblage fixe conformément aux règles de câblage.

Instructions De Securite 5/6

* National Fire Protection Association Batterymarch Park, Quincy, Massachusetts 02269

** CSA International 8501 East Pleasant Valley Road, Cleveland, Ohio 44131-5575

Déclaration d'interface de la Federal Communication Commission

- Cet équipement a été testé et déclaré conforme aux limites d'un appareil numérique de classe B, conformément à la partie 15 des règles FCC. Ces limites sont conçues pour fournir une protection raisonnable contre les interférences nuisibles dans une installation résidentielle.

- Cet équipement génère, utilise et peut émettre de l'énergie radiofréquence et, s'il n'est pas installé et utilisé conformément aux instructions, peut provoquer des interférences nuisibles aux communications radio. Cependant, il n'y a aucune garantie que des interférences ne se produiront pas dans une installation particulière. Si cet équipement cause des interférences nuisibles à la réception de la radio ou de la télévision, ce qui peut être déterminé en éteignant et en rallumant l'équipement, l'utilisateur est encouragé à essayer de corriger les interférences par l'une des mesures suivantes:

- Réorientez ou déplacez l'antenne de réception.

- Augmentez la séparation entre l'équipement et le récepteur.

- Connectez l'équipement à une prise sur un circuit différent de celui sur lequel le récepteur est connecté.

- Consultez le revendeur ou un technicien radio / TV expérimenté pour obtenir de l'aide.

CONSEILS POUR LA SÉCURITÉ

1. Attention, lorsque dans la même pièce vous utilisez simultanément la hotte à évacuation avec un brûleur ou une cheminée alimentés par une énergie autre que l'électricité, vous pouvez créer un problème "d'inversion de flux". Dans ce cas la hotte aspire l'air nécessaire à leur combustion. La dépression dans le local ne doit pas dépasser les 4 Pa (4x10⁻⁵ bar). Pour un fonctionnement en toute sécurité, n'oubliez pas de prévoir une ventilation suffisante du local. Pour l'évacuation vers l'extérieur, veuillez vous référer aux dispositions en vigueur dans votre pays.

Avant de brancher la hotte au réseau de distribution électrique:

- Lire les données reportées sur la plaquette d'identification (appliquée à l'intérieur de la hotte) pour vérifier si le voltage et la puissance correspondent à ceux du réseau. Contrôler aussi si la prise est adaptée.

- En cas de doutes, contacter un électricien qualifié. Si le câble d'alimentation est abîmé, il faut le remplacer par un autre câble ou par un ensemble, spécialement prévus, que vous pouvez commander au fabricant ou à un de ses services d'assistance technique.

Instructions De Securite 6/6

2.Attention!

Dans certaines circonstances les électroménagers peuvent être dangereux.

A) N'essayez pas de contrôler l'état des filtres quand la hotte est en marche.

B) Ne jamais toucher les lampes et les zones adjacentes, pendant et tout de suite après l'utilisation prolongée de l'éclairage.

C) Il est absolument interdit de flamber sous la hotte.

D) Évitez de laisser des flammes libres, elles sont dangereuses pour les filtres et pour les risques d'incendie.

E) Surveillez constamment les fritures pour éviter que l'huile surchauffée prenne feu.

F) Avant de procéder à toute opération d'entretien, coupez l'alimentation électrique de la hotte.

G) Cet appareil peut être utilisé par des enfants de plus de 8 ans et par des personnes dont les capacités physiques, sensorielles ou mentales sont diminuées ou ayant une expérience et des connaissances insuffisantes, pourvu que ce soit sous la surveillance attentive d'une personne responsable et après avoir reçu des instructions sur la manière d'utiliser cet appareil en toute sécurité et sur les dangers que cela comporte. Assurez-vous que les enfants ne jouent pas avec cet appareil. Le nettoyage et l'entretien de la part de l'utilisateur ne doivent pas être effectués par des enfants, à moins qu'ils ne soient surveillés.

H) Veillez à ce que les enfants ne jouent pas avec l'appareil.

I) Lorsque la hotte est utilisée en présence d'appareils utilisant du gaz ou d'autres combustibles, la pièce doit être correctement ventilée.

L) Si le nettoyage n'est pas réalisé conformément aux instructions, un incendie peut se déclarer.

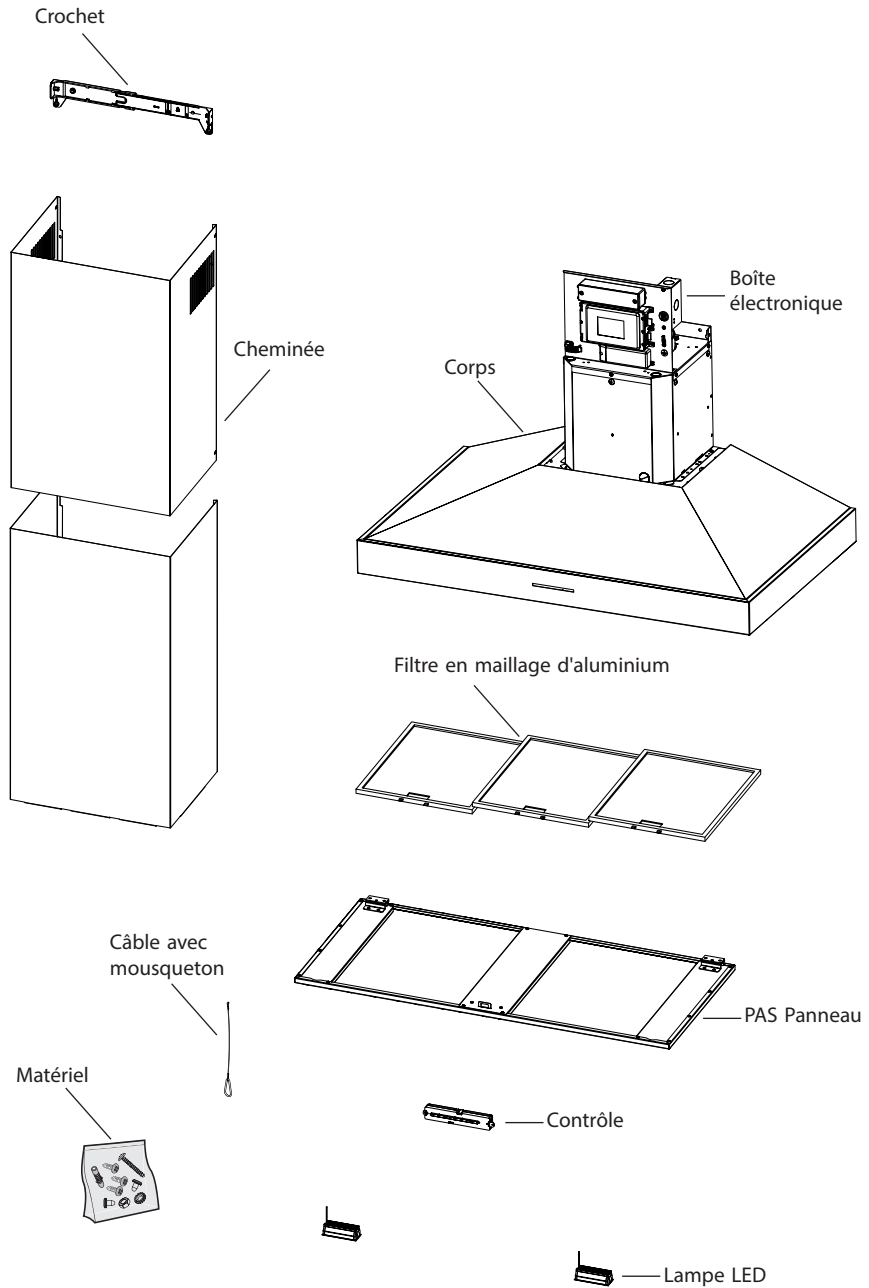
INSTRUCTIONS POUR L'INSTALLATION

- Le montage et le branchement électrique doivent être effectués par un personnel spécialisé.
- Utiliser des gants de protection avant de procéder aux opérations de montage.












AVERTISSEMENT Prop. 65 Avertissement pour les résidents de Californie: Ce produit peut contenir des produits chimiques reconnus par l'État de Californie comme pouvant provoquer le cancer, des malformations congénitales ou d'autres troubles de la reproduction.

Liste Des Matériaux












Feuille Pour Calculer Les Conduits

Pièces de conduit		Longueur x Nombre utilisé =	Total
	3-1/4 po x 10 po rect., droit	1 pi x () =	pi
	6 po, 7 po, 8 po, 10 po circ., droit	1 pi x () =	pi
	3-1/4 po x 10 po rect., coude à 90°	15 pi x () =	pi
	3-1/4 po x 10 po rect., coude à 45°	9 pi x () =	pi
	3-1/4 po x 10 po rect., coude plat à 90°	24 pi x () =	pi
	7 po to 6 po or 8 po to 7 po circ. reducteur conique	25 pi x () =	pi
	6 po, 7 po, 8 po circ. bouchone de l'air	15 pi x () =	pi
	6 po, 7 po, 8 po, 10 po circ., coude à 90°	15 pi x () =	pi
	6 po, 7 po, 8 po, 10 po coude à 45°	9 pi x () =	pi
Sous-total - colonne 1 =			pi

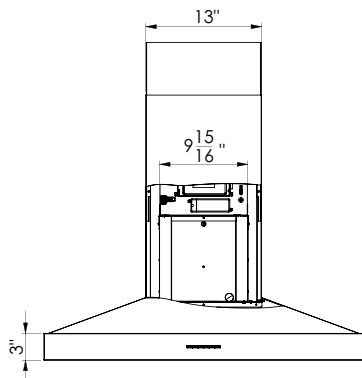
Longueur maximale du conduit d'aération :

Pour un mouvement d'air convenable, la longueur totale d'un conduit d'aération ne devrait pas compter plus que l'équivalent de 150 pieds.

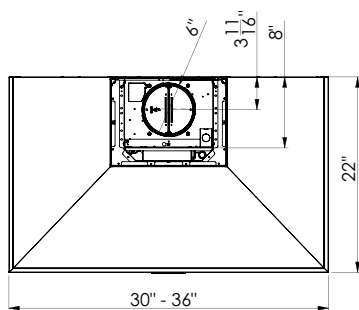
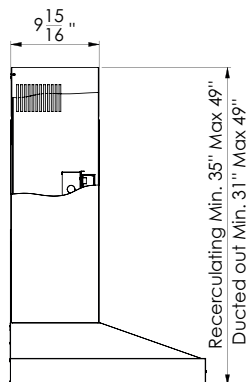
Pièces de conduit		Longueur x Nombre utilisé =	Total
	6 po circ. à rect. de 3-1/4 po x 10 po	5 pi x () =	pi
	6 po circ. à rect. de 3-1/4 po x 10 po, coude à 90°	20 pi x () =	pi
	6 po circ. à rect. de 3-1/4 po x 10 po	1 pi x () =	pi
	6 po circ. à rect. de 3-1/4 po x 10 po, coude à 90°	16 pi x () =	pi
	7 po circ. à rect. de 3-1/4 po x 10 po	8 pi x () =	pi
	7 po circ. à rect. de 3-1/4 po x 10 po, coude à 90°	23 pi x () =	pi
	3-1/4 po x 10 po embout mural rect./registre	30 pi x () =	pi
	6 po, 7 po, 8 po, 10 po embout mural circ./registre	30 pi x () =	pi
	6 po, 7 po, 8 po, 10 po chapeau de toiture circ.	30 pi x () =	pi
Sous-total - colonne 2 =			pi
Sous-total - colonne 1 =			pi
Total du conduit =			pi

Specifications Techniques

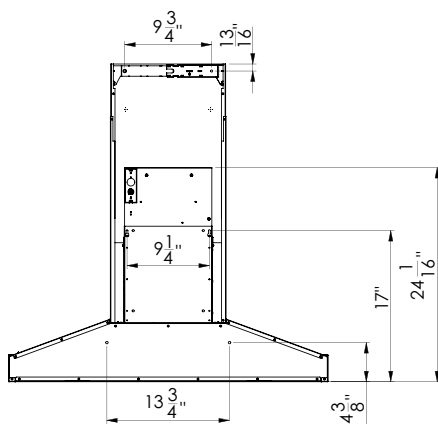
Partie avant de la hotte



Partie latérale de la hotte



Partie supérieure de la hotte



Arrière de la hotte

Installation – Raccordement Au Réseau Electrique

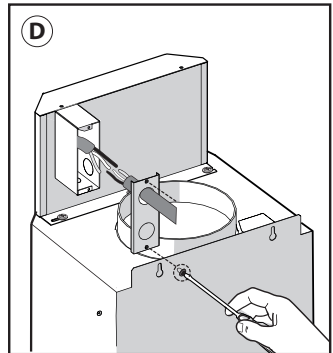
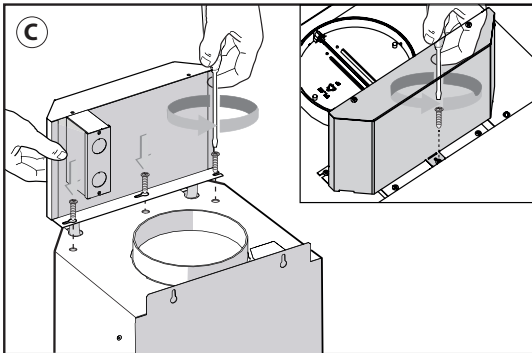
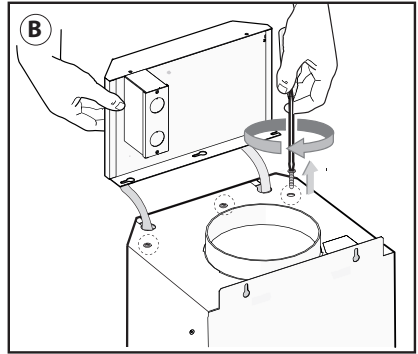
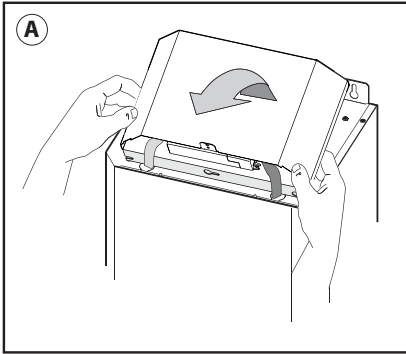
■ GENERALITES

• Lire attentivement les informations suivantes, relatives à la sécurité dans les opérations d'installation et de manutention. Conserver ce fascicule d'informations pour des consultations ultérieures.

A. Soulevez la boîte de l'installation électrique.

B. Enlevez les 3 vis déjà serrées.

C. Positionnez la boîte de l'installation électrique de sorte qu'elle soit en axe avec les trous des vis précédemment enlevées et serrez-les.



D. 1. Acheminez le cordon d'alimentation vers la boîte de jonction.

2. À l'aide des raccords et connecteurs de conduit répertoriés, connectez l'alimentation à la boîte et chaque ligne au fil approprié en suivant cette convention de couleur :

NOIR = PIED CHAUD

BLANC = NEUTRE

VERT/JAUNE = SOL

La polarité doit être observée. L'unité doit être correctement mise à la terre. Utilisez un interrupteur de déconnexion à double jet.

3. Remplacez le couvercle de la boîte

Tout le câblage doit être conforme au code électrique national, ANSI/NFPA 70-1999 et à tous les codes et réglementations locaux.

Installation – Options D’aspiration

■ AVERTISSEMENT : DANGER D’INCENDIE

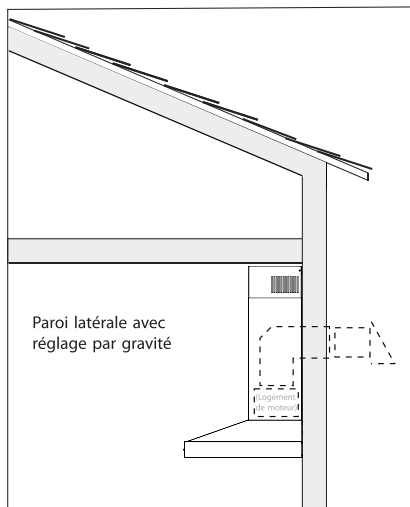
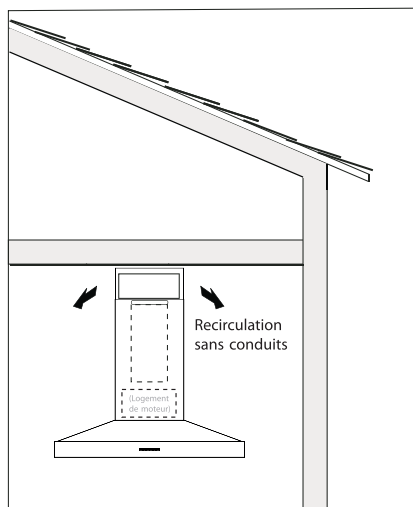
N’installez JAMAIS le conduit d’évacuation de l’air dans les interstices des murs, vides sanitaires, attiques ou garages.

L’air doit toujours être évacué à l’extérieur sauf si on opte pour l’option de la recirculation.

Utilisez exclusivement des conduits en métal rigide à simple paroi.

Procédez à toutes les connexions en vous servant des vis auto-taraudeuses et appliquez du ruban adhésif américain certifié sur toutes les jonctions.

Voici quelques possibilités d’installation des conduits



Installation – Fixation De La Hotte

■ INSTALLATION

L'appareil doit être installé à une hauteur minimum de 24 pouces (61 cm) de plaque. Si l'on utilise un conduit composé de deux éléments, la partie supérieure doit alors être reliée à l'extérieur de la partie inférieure.

Ne pas relier le conduit d'aspiration d'air de la hotte à celui utilisé pour aspirer l'air chaud ou les fumées provenant de d'autres appareils électroménagers non électriques. Avant de procéder aux opérations d'assemblage, retirer le(s) filtre(s) anti-graisses. L'unité sera ainsi plus facile à manoeuvrer.

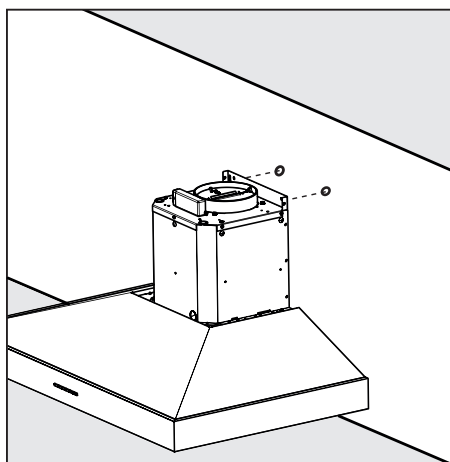
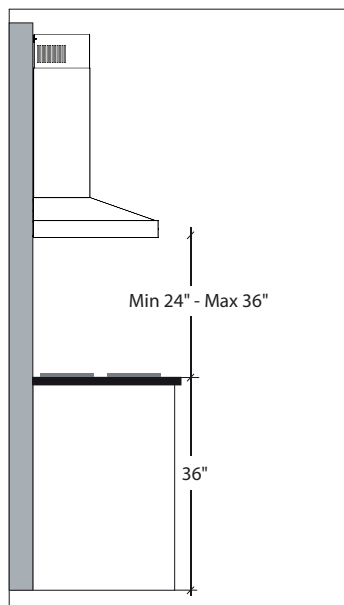
■ FIXATION AU MUR

1. Positionner la hotte en respectant les dimensions indiquées (voir « spécifications techniques »).
2. Soulevez la hotte sur les vis et réglez-la pour vous assurer que la hotte est bien alignée horizontalement.
3. Quand la hotte aura été réglée, serrez les vis pour fixer la hotte.

Remarque: Durant l'installation, veuillez fixer les vis sur les montants en bois. Si vous utilisez une agrafeuse, consultez la réglementation locale pour déterminer le type et la conformité des crampons à utiliser.

Remarque1: Pour les différentes installations utiliser les vis et les supports correspondants adaptés au type de mur sur lequel on entend

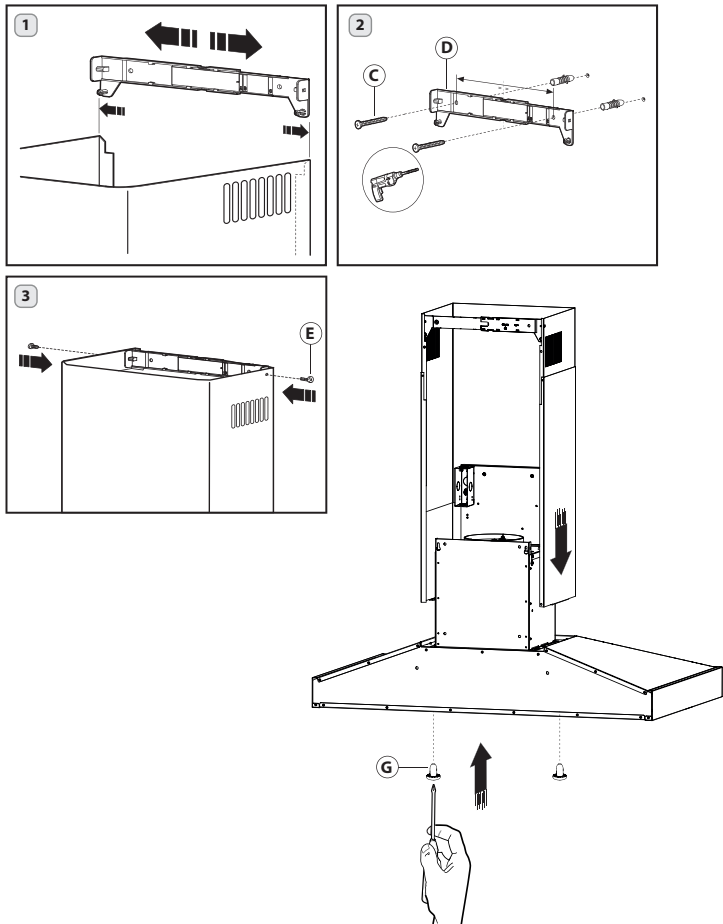
fixer l'appareil (mesure minimum de la vis 1/4" avec un diamètre X 2-3/4" de longueur).



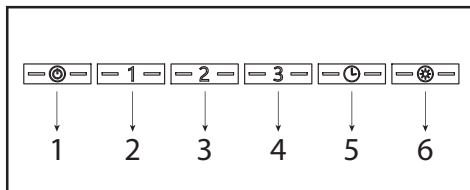
Installation - Habillages de conduits

1. Préparer l'alimentation électrique dans les dimensions des habillages de conduits. Si votre appareil doit être installé en version aspirante ou en version avec moteur externe, préparer l'ouverture d'évacuation de l'air.
2. Ajuster la largeur du support (**D**) du habillage supérieur (Fig.1).
3. Puis le fixer au plafond en utilisant les vis **C** (Fig.2) de façon à ce qu'il soit aligné avec votre hotte et en respectant la distance du plafond indiquée dans les "spécifications de la hotte".
4. Insérer le habillage supérieur dans le habillage inférieur.
5. Fixer le habillage inférieur à la hotte en utilisant les vis **G** fournies, extraire le habillage supérieur jusqu'au support et le fixer avec les vis **E** (Fig.3).

Si vous utilisez la hotte en mode recyclage, vous devez fixer la plaque de déviation d'air sur le mur avant d'installer la conduite et les habillages de conduits. Veuillez vous référer aux instructions du kit de recyclage.



Contrôle Tactile



1 – Bouton d’Alimentation: le bouton d'alimentation permet d'allumer et d'éteindre toute la hotte (ventilateur et éclairage). La hotte mémorise la dernière vitesse et le niveau d'éclairage utilisés lors de l'extinction précédente.

2 - Bouton vitesse lente: appuyer une fois pour la vitesse lente.

3 - Bouton vitesse moyenne: appuyer une fois pour la vitesse moyenne.

4 - Bouton vitesse rapide: appuyer une fois pour la vitesse rapide.

5 - Bouton minuterie d'arrêt différé: appuyer sur le bouton 5 pour activer une minuterie d'arrêt différé de 10 minutes et régler la vitesse du ventilateur sur 1. Lorsque cette fonction est activée, le rétroéclairage clignote. Après 10 minutes, le ventilateur et l'éclairage s'éteignent.

Pour désactiver la fonction, appuyez sur le bouton 5, modifiez la vitesse du ventilateur et appuyez sur le bouton 1.

La fonction ne peut être activée que lorsque la hotte est allumée.

6 - Bouton d'éclairage: appuyer sur le bouton 6 pour faire défiler les réglages. Fort – Faible – Éteint. Lorsque l'éclairage est allumé, le bouton reste rétroéclairé.

RÉGLAGE KELVIN (TRUHUE): Avec les éclairages éteints, appuyer et maintenir le Bouton 6 pendant 3 secondes. Les éclairages s'allument alors et le Bouton 6 clignote, permettant d'ajuster la température de couleur. Appuyer sur le Bouton 1 pour 2700K, appuyer sur le Bouton 2 pour 3000K, appuyer sur le Bouton 3 pour 3500K, appuyer sur le Bouton 4 pour 4000K, ou appuyer sur le Bouton 5 pour 5000K. Appuyer sur le Bouton 6 pour confirmer la sélection (ou elle se confirmera automatiquement après 5 secondes sans pression de bouton). La température de couleur par défaut est 3000K.

RAPPEL DE NETTOYAGE DU FILTRE À GRAISSE: Après 60 heures d'utilisation du ventilateur, le Bouton 2 commencera à clignoter quand la hotte est allumée, indiquant qu'il est temps de nettoyer les filtres. Pour Réinitialiser: Avec la hotte allumée appuyer et maintenir le Bouton 2 pendant trois secondes, le bouton 2 arrêtera de clignoter et la minuterie se réinitialise.

RAPPEL FILTRE AU CHARBON ACTIF: Par défaut, la fonction n'est pas activée. Pour activer la fonction, avec la hotte éteinte appuyer sur les boutons 4 et 5 pendant trois secondes. Les Boutons 4 et 5 clignotent trois fois pour confirmer que la fonction est activée. Après 200 heures d'utilisation du ventilateur, le Bouton 4 commencera à clignoter indiquant qu'il est temps de changer les filtres au charbon actif quand la hotte est allumée. Pour Réinitialiser : Appuyer et maintenir le Bouton 4 pendant trois secondes et le Bouton 4 arrête de clignoter.

Pour désactiver la minuterie du filtre au charbon actif, avec la hotte éteinte appuyer sur les Boutons 4 et 5 pendant trois secondes. Les Boutons 4 et 5 s'illumineront de façon continue pendant trois secondes pour confirmer que la fonction est désactivée.

APPAIRAGE DE LA TÉLÉCOMMANDE: Avec la hotte éteinte appuyer et maintenir le Bouton 1 pendant trois secondes. Le Bouton 4 commencera à clignoter de façon continue jusqu'à ce que la télécommande soit appairée. Vous aurez 20 secondes pour compléter la procédure d'appairage de la télécommande. Appuyer sur n'importe quel bouton de la Télécommande. Pour confirmer la procédure d'appairage, appuyer sur le bouton d'Éclairage de la télécommande pour vérifier que les éclairages de la hotte s'allument.

TECHNOLOGIE DE CONTRÔLE DU DÉBIT D'AIR (ACT):

ACT 390: Avec la hotte éteinte, appuyer sur les boutons 3 et 4 pendant trois secondes, les vitesses configurées passeront à 1-2-3. Les boutons 3 et 4 clignotent tous les deux pendant deux secondes.

ACT 290: Avec la hotte éteinte, appuyer sur les boutons 2 et 3 pendant trois secondes, les vitesses configurées passeront à 1-2-2. Les boutons 2 et 3 clignotent tous les deux pendant deux secondes.

ACT 600 - Par défaut: Les vitesses par défaut de la hotte sont: 1-2-4.

Vérification ACT: Avec la hotte éteinte, appuyer pendant 3 secondes sur les boutons 5 et 6 pour vérifier le réglage ACT. Les boutons correspondants s'allumeront pendant trois secondes pour indiquer le réglage ACT.

- Si les boutons 3 et 4 s'allument = ACT 390 activé
- Si les boutons 2 et 3 s'allument = ACT 290 activé
- Si les boutons 2 et 4 s'allument = Le débit par défaut est activé

INFORMATIONS GÉNÉRALES:

- Retirer tout film protecteur de la surface de la télécommande avant de l'utiliser.
- La télécommande a une portée d'environ 10-15 pieds.
- La télécommande est équipée d'une base magnétique et peut être attachée à une surface ferreuse pour un rangement facile.
- Faire attention lors de la manipulation et du nettoyage de la télécommande; nous suggérons d'utiliser un chiffon en microfibre pour la nettoyer.

Entretien

- Il est conseillé d'allumer l'appareil avant de commencer à cuisiner et de le laisser fonctionner pendant 5 minutes après la fin de la cuisson afin d'éliminer complètement les vapeurs et les odeurs de cuisine. Le bon fonctionnement de la hotte est déterminé par la régularité des opérations de maintenance.

- Les filtres anti-graisses capturent les particules de graisses en suspension dans l'air. Ils se bouchent donc proportionnellement à l'utilisation que l'on fait de l'appareil. Afin de prévenir tout risque d'incendie, il est conseillé de nettoyer le filtre au maximum tous les deux mois, en respectant les instructions suivantes :

- Retirer les filtres de la hotte et les mettre à tremper dans une solution composée d'eau et de détergent liquide.

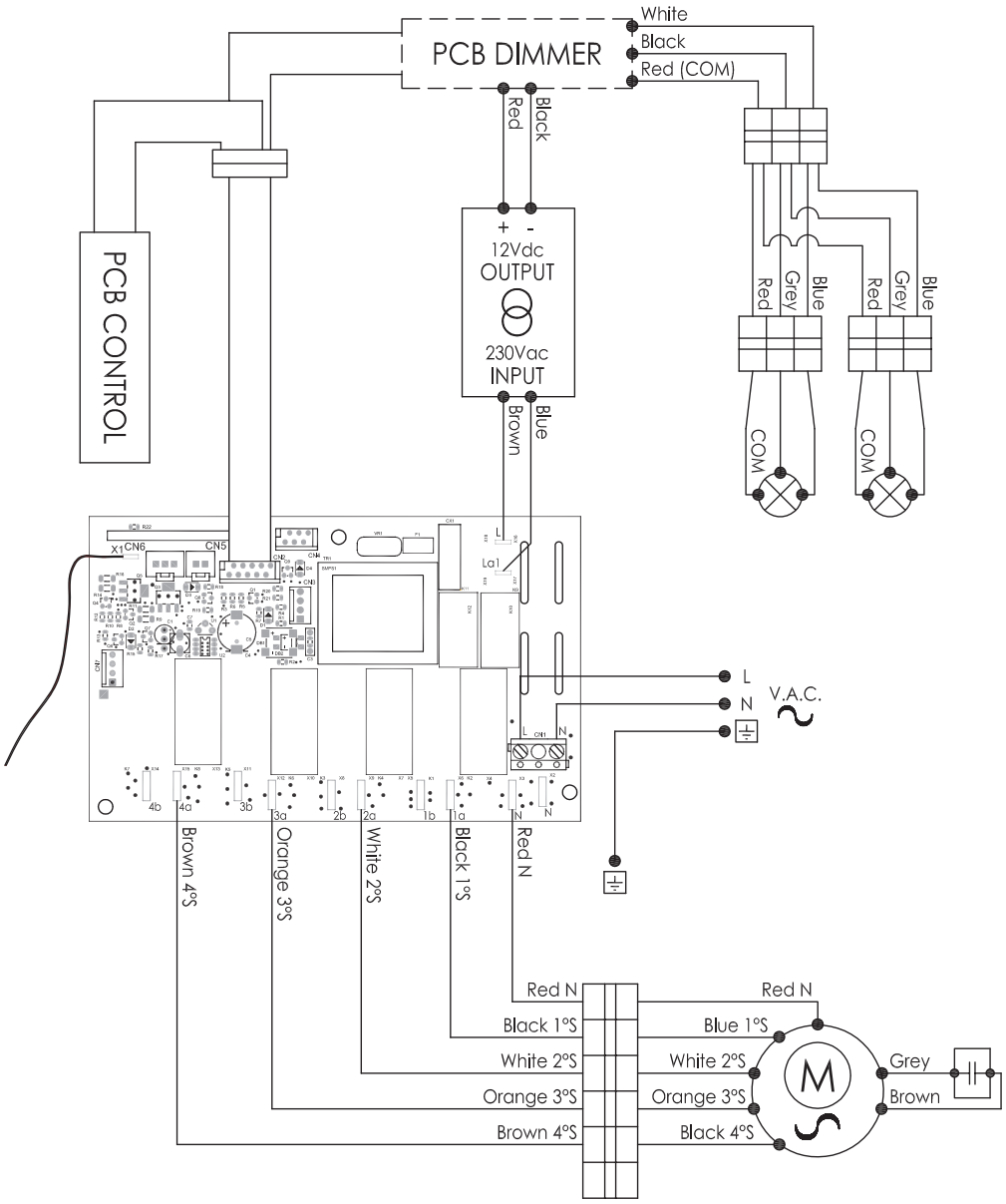
- Rincer soigneusement à l'eau tiède et laisser sécher.

- Les filtres peuvent être également lavés au lave-vaisselle.

Les panneaux en aluminium peuvent changer de couleur après un certain nombre de lavages. Cela ne peut cependant représenter un motif de réclamation de la part du client ou de demande de remplacement des panneaux.

- Nettoyer le ventilateur et les autres surfaces de la hotte avec un chiffon imbibé d'alcool dénaturé ou de détergent liquide non abrasif.

Schéma de câblage



Liste De Pièces Détachées Et Accessoires

DESCRIPTION	HOTTE	PARTIE#
PIÈCES DÉTACHÉES		
Lampe LED	ZAM	ZOB0057
Filtre en aluminium maillé	ZAM	50200081
OPTIONAL ACCESSORIES		
Télécommande	ZAM	RC-0003
Rallonge pour cache-conduit, acier inoxydable	ZAM	Z1C-01AM

Pour commander les pièces détachées, merci de visiter le site <http://store.zephyronline.com>

UL References	

ZEPHYR Garantie limitée

POUR OBTENIR UN SERVICE SOUS GARANTIE OU POUR TOUTES QUESTIONS LIÉES AU SERVICE
Les clients des États-Unis doivent appeler le: 1-888-880-8368 ou nous contacter à: zephyronline.com/contact
Clients du Canada, veuillez appeler: 1-888-812-8311 ou par courriel: ven-tech@broan.com

Zephyr Corporation (désigné aux présentes sous le nom de « nous ») garantit au premier acheteur (désigné aux présentes sous le nom de « vous » ou « votre ») de produits Zephyr (les « Produits ») que lesdits produits sont exempts de défauts de fabrication ou de main-d'œuvre selon les conditions suivantes :

Garantie de deux ans sur les pièces : Garantie de deux ans à partir de la date d'achat originale du Produit. Nous fournirons sans frais les Produits ou les pièces de remplacement qui comportaient des défauts de fabrication. Nous pourrions choisir, à notre seule discrétion, de réparer ou de remplacer des pièces avant de prendre la décision de rem-placer le Produit.

Garantie limitée d'un an sur la main-d'œuvre : Garantie d'un an à partir de la date d'achat originale du Produit. Nous couvrirons sans frais les frais de main-d'œuvre afférents à la réparation du Produit ou des pièces de remplacement qui comportaient des défauts de fabrication. Un an après la date d'achat originale, vous serez responsable de tous les frais de main-d'œuvre associés à la présente garantie.

Exclusions de la garantie : Cette garantie ne couvre que la réparation ou le remplacement, à notre gré, de pièces ou de Produits défectueux et ne couvre aucun autre coût afférent aux Produits, dont, sans s'y limiter, les frais liés : (a) à l'entretien normal des Produits et au remplacement des pièces consommables, comme les ampoules, les filtres métal-liques, les filtres à charbon et les fusibles; (b) à tout Produit ou pièce ayant été endommagé durant le transport ou étant le résultat d'un mauvais usage, d'une négligence, d'un accident, d'une installation incorrecte ou ne respectant pas les notices d'installation recommandées, d'un entretien ou d'une réparation inapproprié (dont ne nous sommes pas responsables); (c) à la réparation commerciale ou ne correspondant pas à l'utilisation pour laquelle les Produits sont conçus; (d) à l'usure naturelle du fini, à l'usure due à un entretien inadéquat, à l'utilisation de produits nettoyants corro-sifs ou abrasifs, de tampons nettoyeurs et de produits de nettoyage pour le four; (e) aux éclats, entailles ou fissures résultant d'un abus ou d'une mauvaise utilisation du Produit; (f) aux déplacements d'un technicien de service à votre domicile pour vous montrer comment utiliser les Produits; (g) aux dommages causés par un accident, un incendie, une inondation ou un cas fortuit. Si vous trouvez à l'extérieur du territoire que nous desservons, des frais supplémentaires pourraient s'appliquer pour la livraison des produits à nos points de service désignés pour une réparation sous garantie ou vous pourriez avoir à déboursier les frais de déplacement du technicien à votre domicile pour que le Produit soit réparé, enlevé ou réinstallé. Un an après la date d'achat originale du Produit, vous êtes également responsable de tous les frais de main-d'œuvre associés à la présente garantie.

Restrictions de la garantie. NOTRE OBLIGATION DE RÉPARER OU DE REMPLACER, À NOTRE GRÉ, LE PRODUIT CONSTITUE VOTRE SEUL ET UNIQUE RECOURS SOUS LA PRÉSENTE GARANTIE. NOUS NE NOUS PORTONS PAS RESPONSABLES POUR TOUT DOMMAGE INDIRECT, ACCESSOIRE OU PARTICULIER RÉSULTANT OU AYANT UN LIEN AVEC L'UTILISATION OU LE RENDEMENT DES PRODUITS. LES GARANTIES EXPRESSES DE LA SECTION PRÉCÉDENTE SONT EXCLUSIVES ET TIENNENT LIEU DE TOUTE AUTRE GARANTIE EXPRESSE. PAR LES PRÉSENTES, NOUS REJETONS ET EXCLUONS TOUTE AUTRE GARANTIE EXPRESSE POUR LES PRODUITS ET TOUTES LES GARANTIES TACITES PRÉVUES PAR LA LOI, DONT CELLES RELATIVES À LA QUALITÉ MARCHANDE OU À L'ADÉQUATION DU PRODUIT POUR UNE UTILISATION PARTICULIÈRE. Certains États ou provinces n'autorisent pas les restrictions sur la durée d'une garantie implicite ou l'exclusion ou la restriction des dommages indirects ou accessoires; par conséquent, les exclusions et restrictions mentionnées ci-dessus pourraient ne pas s'appliquer à votre cas. Dans la mesure où une loi applicable interdit l'exclusion de garanties implicites, la durée de toute garantie implicite applicable se limite à la période de deux ans décrite ci-dessus. L'unique objectif de toute description orale ou écrite est de présenter les Produits et celle-ci ne devrait pas être interprétée comme une garantie expresse. Avant d'utiliser ou de permettre l'utilisation des Produits, vous devez déterminer si les Produits conviennent aux utilisations prévues et vous devez assumer tout risque et toute responsabilité relatifs à ces utilisations. Nous nous réservons le droit d'utiliser des pièces reconstruites ou remises à neuf pour remplacer l'une des fonctionnalités dans le cadre de la présente garantie ou de l'une des parties de la présente garantie. L'acheteur original ne peut transférer la présente garantie et celle-ci n'est valide qu'aux États-Unis et au Canada.

Pour obtenir du service sous la garantie : Pour avoir droit à du service sous garantie, vous devez : (a) nous avertir en utilisant l'adresse ou le numéro de téléphone inscrit ci-dessous dans les soixante jours suivant la détection du défaut; (b) donner le numéro du modèle, le numéro d'identification de la pièce ainsi que le numéro de série; et (c) décrire la nature de tout défaut de la pièce ou du Produit. Au moment de faire la demande de service sous garantie, vous devez présenter votre preuve d'achat et la preuve de la date d'achat originale. Si nous déterminons que les exclusions de la garantie énumérées ci-dessus s'appliquent ou si vous trouvez dans l'incapacité de nous fournir la documentation nécessaire pour obtenir du service, vous serez responsable de tous les frais d'expédition, de déplacement, de main-d'œuvre ou de tout autre coût afférent au service.

Veuillez consulter notre site Web au www.zephyronline.com pour savoir si des révisions ont été apportées à la garantie.

Zephyr, 2277 Harbor Bay Parkway, Alameda, CA 94502

PRODUCT REGISTRATION

Congratulations on your Zephyr range hood purchase! Please take a moment to register your new range hood at www.zephyronline.com/registration

IT'S IMPORTANT

Prompt registration helps in more ways than one.

- Ensures warranty coverage should you need service.
- Ownership verification for insurance purposes.
- Notification of product changes or recalls.



Zephyr Ventilation | 2277 Harbor Bay Pkwy. | Alameda, CA 94502 | 1.888.880.8368



3011000186600