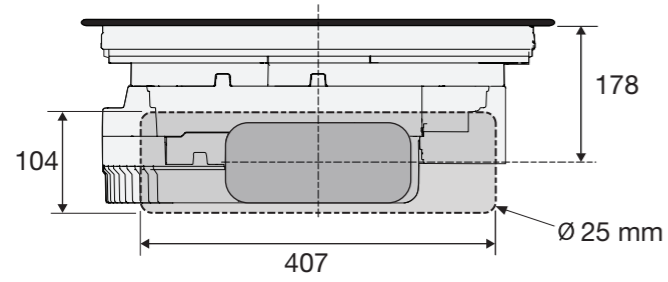
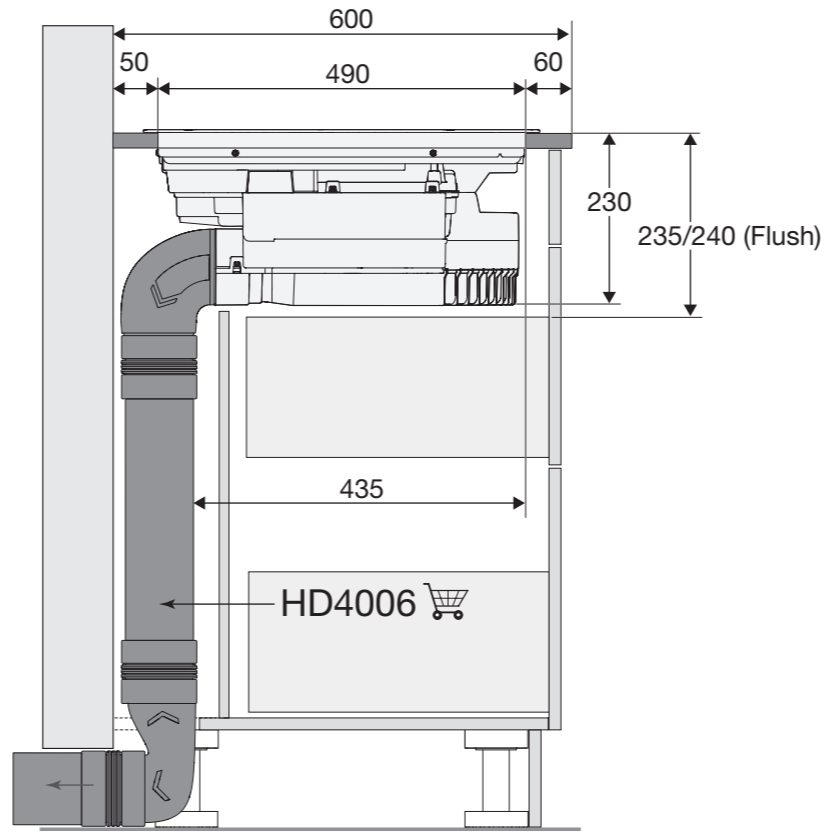


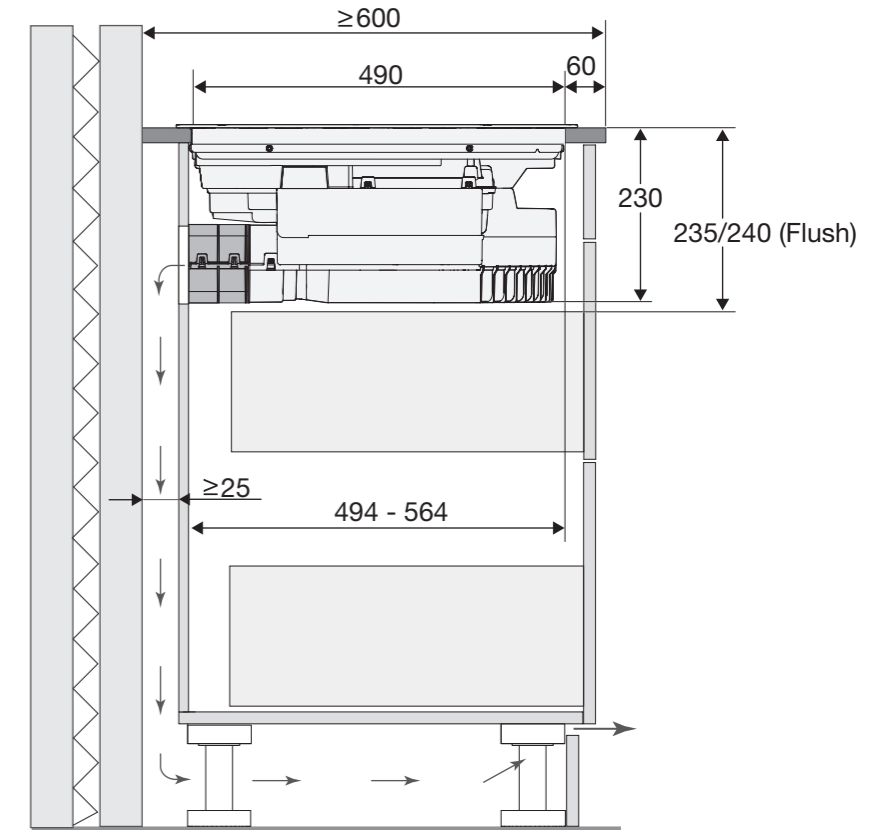
HR0018



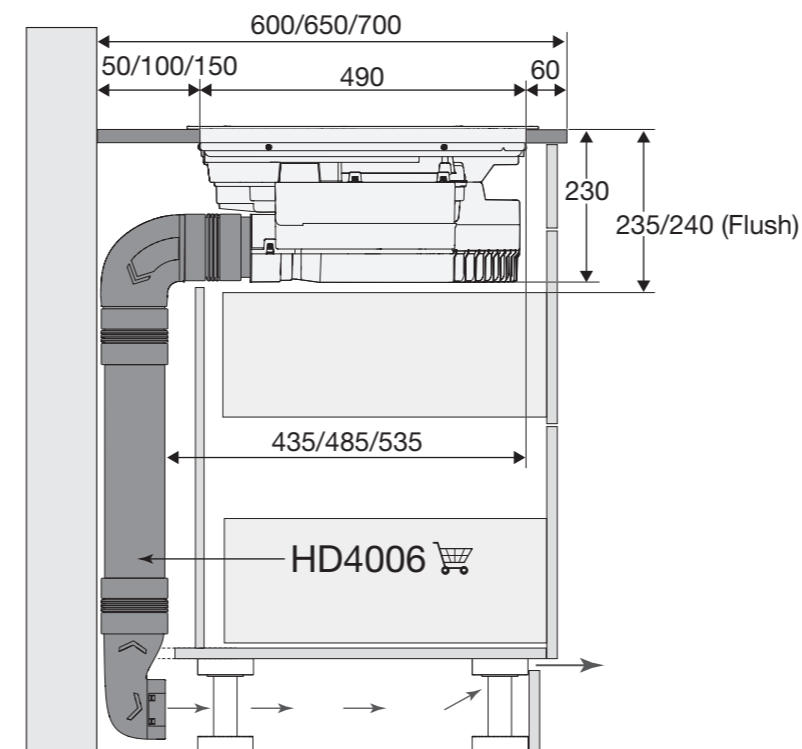
OPTION A



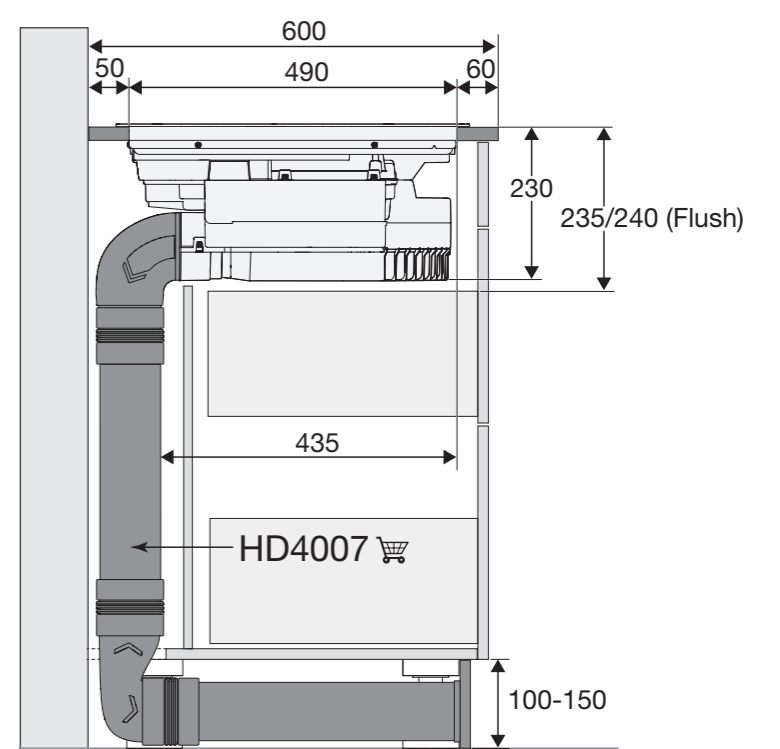
OPTION B



OPTION C



OPTION D



Flush

