



Danby

- Owner's Use and Care Guide
- Guide d'utilisation et d'entretien

**PORTABLE DEHUMIDIFIER
DÉSHUMIDIFICATEUR PORTATIF**

Model • Modèle DDR2611 / DDR4011



Contents

PORTABLE DEHUMIDIFIER

Owner's Use and Care Guide2-13

- Welcome
- Important Safety Information
- Installation
- Features
- Operation Instructions
- Care and Maintenance
- Troubleshooting
- Warranty

DÉSHUMIDIFICATEUR PORTATIF

Guide d'utilisation et d'entretien 14-25

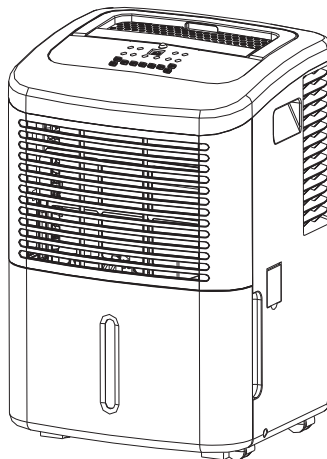
- Bienvenue
- Consignes de Sécurité Importantes
- Installation
- Caractéristiques
- Consignes d'utilisation
- Soins et Entretien
- Dépannage
- Garantie

CAUTION:

Read and follow all safety rules and operating instructions before first use of this product.

PRECAUTION:

Veillez lire attentivement les consignes de sécurité et les instructions d'utilisation avant l'utilisation initiale de ce produit.



Model • Modèle DDR2611 / DDR4011

Welcome

Thank you for choosing a Danby appliance to provide you and your family with all of the “Home Comfort” requirements of your home, cottage, or office. This Owner’s Use and Care Guide will provide you with valuable information necessary for the proper care and maintenance of your new appliance. If properly maintained, your Danby appliance will give you many years of trouble free operation. Please take a few moments to read the instructions thoroughly and familiarize yourself with all of the operational aspects of this appliance.

For easy reference, may we suggest you attach a copy of your sales slip/receipt to this page, along with the following information, located on the rear wall of the water tank compartment.

KEEP THESE INSTRUCTIONS FOR FUTURE REFERENCE.

Model Number:	_____
Serial Number:	_____
Date of Purchase:	_____

CAUTION

Do not leave this unit unattended or operate in an area where people or animals may not be able to react quickly. A failed unit may cause over-heating, resulting in personal injury or property damage.

This information will be necessary if your unit requires servicing and/or for general inquiries. To contact a Customer Service Representative, call Danby **TOLL FREE: 1-800-263-2629**





Important Safety Information

READ AND FOLLOW ALL SAFETY INSTRUCTIONS

FOR YOUR SAFETY: Read these instructions carefully before operating the unit.

NOTE

The **WARNING** instructions issued in this manual are not meant to cover all possible conditions and situations that may occur. It must be understood that common sense, caution, and carefulness are factors that cannot be built into all appliances. These factors must be supplied by the person(s) installing, maintaining, or operating the appliance. Failure to install, maintain, and/or operate the equipment according to the manufacturer's instructions may result in conditions which can produce bodily injury and/or property damage. Contact your dealer, service agent, or the manufacturer about any problems or conditions you do not fully understand.

For Danby Customer Service call (1-800-263-2629)

ELECTRICAL REQUIREMENTS

To reduce the risk of fire, electric shock, or personal injury, all wiring and grounding must conform with the latest edition of Local and National Electrical codes.

- It is the customer's responsibility to have the wiring and fuses checked by a qualified electrician to make sure adequate electrical power is available.
- This appliance is designed to operate on a separate branch, polarized, three-wire, effectively grounded 120 Volt 60 Hertz (alternating current) circuit protected by a 15 ampere fuse, equivalent fuse or circuit breaker. The three-prong grounding plug on the power cord should be plugged directly into a polarized, three slot, effectively grounded receptacle rated 110/120 V.A.C.

FOR YOUR SAFETY: To reduce the risk of fire or explosion, do not store or use gasoline or other flammable vapors or liquids in the vicinity of this or any other appliance.

GROUNDING INSTRUCTIONS

Improper connection of the equipment-grounding conductor can result in a risk of electrical shock. Check with a qualified electrician or serviceman if you are in doubt as to whether your appliance outlets are properly grounded.

- This appliance must be grounded. In the event of malfunction or breakdown, grounding will reduce the risk of electrical shock by providing a path of least resistance for electrical current. This appliance is equipped with a cord having an equipment-grounding conductor and 3 prong grounding plug. The plug must be connected into an outlet that is properly installed and grounded in accordance with all local codes and ordinances.
- Do not modify the plug provided with this appliance. If it will not fit the outlet, have a proper outlet installed by a qualified electrician.
- If the household electrical supply does not meet the above specifications, or if you are not sure your home has an effective ground, have a qualified electrician or your local electrical utility company check it and correct any problems.

SAVE THESE INSTRUCTIONS



Installation Instructions

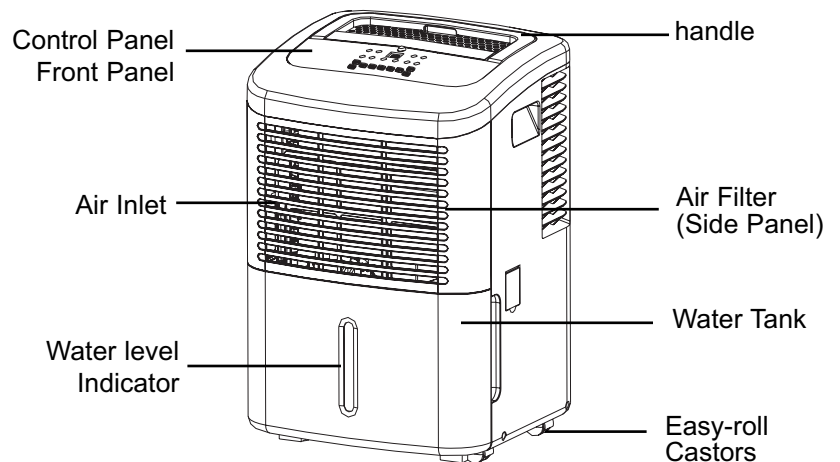
LOCATION

- Select a suitable location, making sure you have easy access to an electrical outlet (avoid the use of extension cords). If it is absolutely necessary to use an extension cord, use an approved "air conditioner" heavy duty extension cord ONLY (available at most local hardware stores).
- Make sure there are no obstructions restricting airflow through the front air intake grill. Maintain a minimum clearance of at least 20 cm (8") between adjacent walls and the back of the unit, to allow for proper air circulation and maximum efficiency. To obtain maximum operating efficiency from your dehumidifier, the recommended (room ambient) operating temperatures should be between 5°C (41°F) - 35°C (95°F).
- It is important to remember the efficiency of a dehumidifier will be effected/influenced by the rate at which new humid air (moisture) is allowed to infiltrate the same space/area. To maintain efficiency, the dehumidifier must be operated in an enclosed area. Keep all doors and windows closed.



Features

- Soft touch (Electronic)Control Key Pads
- Auto-Sensing Humidity Control
- Adjustable Humidity Settings (35% - 85%)
- 2 Fan Speed Settings (High / Low)
- Delay Start Protection (Compressor)
- Auto-Defrost (De-Icer)
- Full Bucket Indicator Light
- Easy Roll Castors (4)
- Front Mounted Water Tank(Removable)
- Direct Drain Option (Hose not Included)
- Quiet Operation
- Removable Air Filter

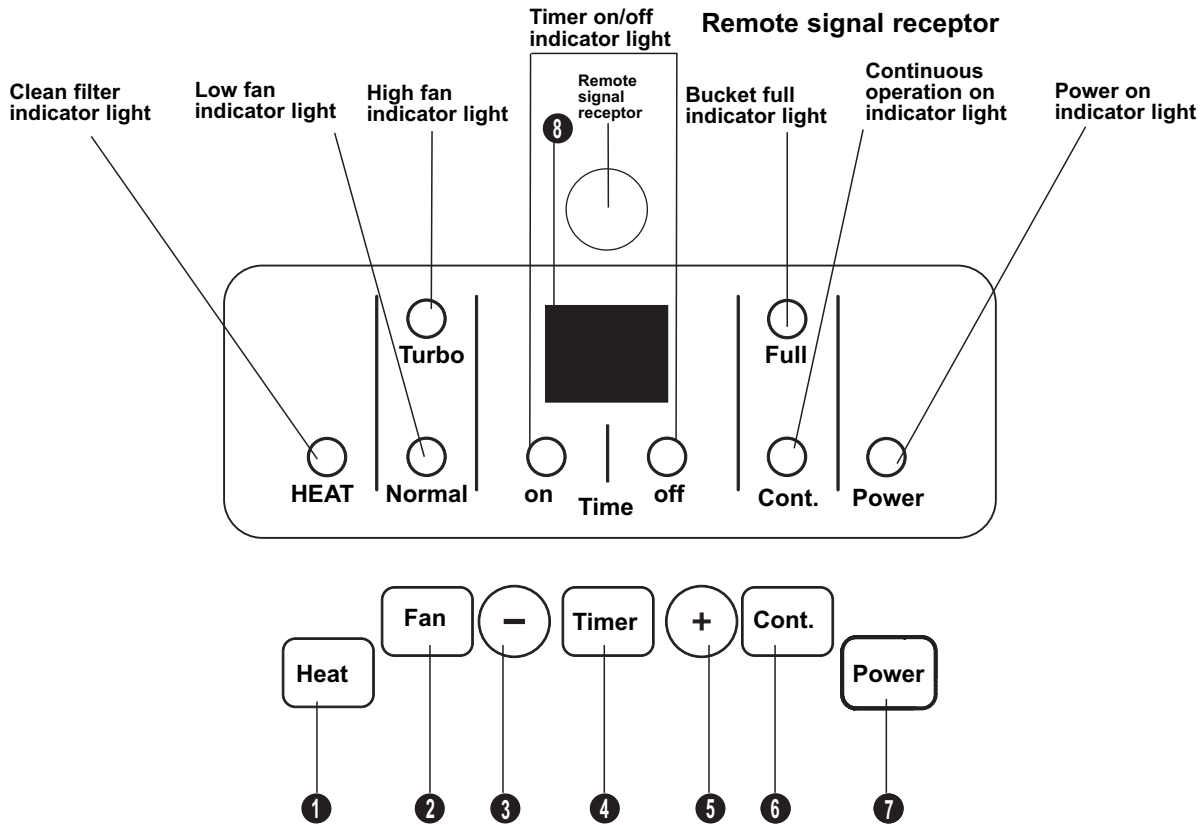




Operating Instructions

CONTROL PANEL INSTRUCTIONS

NOTE: The control panel of the unit you purchased may be slightly different according to the models.



CONTROLS

When you push the button to change operation modes, the unit will make a beeping sound to indicate that it is changing modes.

1) HEAT BUTTON

Press this button to activate the electrical heating mode. Press it again to stop the function.

NOTE: DEHUMIDIFYING model only has no HEAT button and heating feature.

2) FAN BUTTON

Control the fan speed. Press to select either High or Normal fan speed. Set the fan control to High for maximum moisture removal. When the humidity has been reduced and quiet operation is preferred, set the fan control to Normal.

3,4) (+ / -) buttons

Humidity Set Control Pads

The humidity level can be set within a range of 35%RH(Relative Humidity) to 85%RH(Relative Humidity) in 5% increments.

- For drier air, press the (-) button and set to a lower percent value(%).
- For damper air, press the (+) button and set a higher percent value(%).

Timer Set Control Buttons

Use the Up/Down buttons to set the Auto start and Auto stop time from 0.0 to 24.

Temperature Set Control buttons

Use the Up/Down pads to set the desired temperature under the electrical heating mode from 17°C(62°F) - 30°C (86°F).

5) Timer Button

Press to initiate the Auto start and Auto stop feature, in conjunction with the (+) and (-) keys.

6) Continue Button

Press to activate the continuous dehumidifying operation and dehumidifying operation.



Operating Instructions

CONTROLS

7) POWER BUTTON

Press to turn the dehumidifier on and off.

8) Display

Shows the set % humidity level from 35% to 85% or auto start/stop time (0~24) during setting, then shows the actual ($\pm 5\%$ accuracy) room % humidity level in a range of 30% RH(Relative Humidity) to 90%RH (Relative Humidity).

Error Codes and Protection Codes:

AS - Humidity sensor error--Unplug the unit and plug it back in. If error repeats, call for service.

ES - Temperature sensor error-- Unplug the unit and plug it back in. If error repeats, call for service.

P1 - Unit is defrosting-- Allow the unit time to automatically defrost. The error will clear after the unit self defrosts.

P2 - Bucket is full or the bucket is not in right position--Empty the bucket and replace in the right position.

E1 - unit malfunction -- Unplug the unit and plug it back in. If error repeats, call for service.

INDICATOR LIGHT FUNCTION

Power Light (Green):

When the unit is first connected to an electrical outlet, the (green) power light will not light until the "on/off" button is pressed. When the "on/off" button is activated, the power light turns to a state "on" condition. The dehumidifier will automatically default to the factory default setting:

Humidity Setting: 60%

Fan Speed: High

IMPORTANT NOTE: Depending on the humidity conditions of the surrounding environment, the dehumidifier may not start automatically when the "on/off" button is pressed (see dehumidifier operating instructions for details). In the event of a power failure, the unit will default to the last program setting that was used when power is restored.

Water Full Indicator Light (Red):

When the water tank is full and/or incorrectly positioned inside the cabinet, the (water full) red light turns on and remains on until such time the tank is emptied and/or correctly re-positioned. This condition will result in the immediate shut down of the dehumidifying system (both compressor and fan motor operation are terminated). This is a safety feature. When the water tank is emptied and/or correctly re-positioned, the dehumidifier will resume operation automatically. **NOTE:** It may take several minutes before operating conditions resume.

Memory Setting:

Each time the unit is disconnected/re-connected and/or in the event of a power failure, the electronic circuit board automatically defaults to the last program setting that was used. It may take several minutes before operating conditions resume.



Operating Instructions

WATER TANK OPERATION

IMPORTANT

Never tamper with or attempt to defeat the water level (safety) float switch system. Proper installation of the water tank is crucial to maintaining reliable dehumidifier operation.

The water tank holds accumulated condensed water and by means of a safety switch, controls both the water level and operation of the dehumidification process- i.e. When the water tank is full and/or accidentally displaced inside the cabinet, the float switch actuator (inside the tank) breaks contact with the safety switch. This condition results in the immediate shut down of the compressor and fan motor system, preventing moisture from being condensed.

DEHUMIDIFYING

DEHUMIDIFYING is a means of removing moisture from the air. A dehumidifier will help to protect your home and valued possessions from damage (swelling) caused by moisture in the air. Essentially a dehumidifier removes moisture from air as moist air passes over a dehumidifying (evaporator) coil. Moisture is condensed on the evaporator coil, drained, and collected inside an internal (removable) water tank located at the front of the unit. The exhausted air being returned into the room environment is elevated several degrees causing the surrounding air temperature to increase (slightly). This process also contributes to lowering the relative humidity of the surrounding air.

DEHUMIDIFYING MODE INSTRUCTIONS

When the unit is first connected to the electrical outlet, the (green) power light will not light until the “on/off” button is pressed.

When the “on/off” button is activated (pressed), the power light turns to a state “on” condition and the dehumidifier automatically defaults to:

Display: Current Ambient Room Humidity (RH%)

Humidity Setting: 60% RH

Fan Speed: High

IMPORTANT NOTE: Depending on humidity conditions of the surrounding environment, the dehumidifier may not start automatically under the default setting (this is an indication that the humidity level of the surrounding environment is lower than the “default” setting of 60% RH). Therefore, it may be necessary to scroll through each of the different dehumidifier settings 35% - 80% until the “humidstat” (sensor) recognizes conditions that will allow the unit to operate.

DEHUMIDIFYING MODE SELECTION:

1) To turn the unit on press the ON/OFF button.

2a) Press the humidity “UP” or “DOWN” button to select a desired RH operating value (35% -85%)

OR

2b) Press the CONTINUOUS button. When CONTINUOUS mode is selected, the humidistat (sensor) will be by-passed and the compressor will operate non-stop regardless of humidity conditions.

FAN SPEED SELECTION:

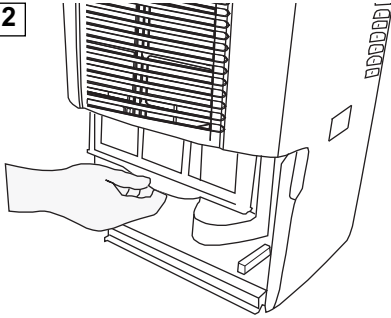
3) Select a fan speed on the keypad. The speed you select is identified by the (illuminated) indicator light located directly above the selection made.



Operating Instructions

AIR FILTER

Fig. 2



Your dehumidifier features a removable Air Filter, located at the front of the unit (behind the air intake grill) directly above the water tank compartment.

The air filter plays an important role in helping to reduce (minimize) dust/dirt particles from the surrounding environment. A blocked/clogged air filter reduces air intake, impacting negatively on operating efficiency.

To maintain maximum operating efficiency:

- The filter must be checked and cleaned regularly (**every 2 weeks**)
- More frequent cleaning may be required depending upon indoor air quality.

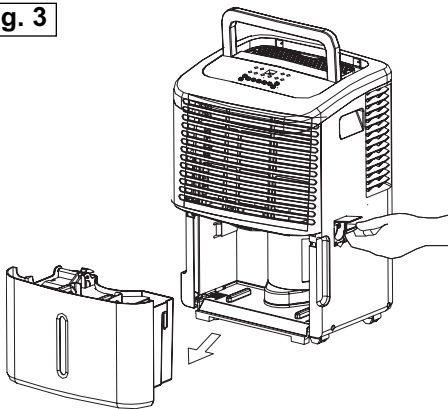
IMPORTANT: Never operate the unit without the air filter in place.

AIR FILTER REMOVAL:

- 1) Grasp the filter handle, and pull the filter out. The filter will slide out easily (see Fig. 2)
- 2) Clean the filter thoroughly using a vacuum cleaner or wash using lukewarm water and mild detergent. Dry thoroughly before re-installing.
- 3) To re-install the air filter, slide the filter back inside the tracks and push inward.

DIRECT DRAIN FEATURE

Fig. 3



This dehumidifier is inclusive of a direct drain feature, located at the rear of the cabinet. **NOTE:** The drain hose is not included with the unit. The direct drain feature is intended for use in basements inclusive of a floor drain only.

Water can be automatically emptied into a floor drain by attaching the unit with a water hose (24mm diameter not included)

- Remove the water bucket from the unit and set aside.
- Lift up the side flap located on the right side of the unit (looking at the front). (Fig.3)
- Insert the female threaded end of the hose through the opening. (Fig.4a)
- Screw the garden hose onto the threaded portion of the tray underneath the bucket opening. (Fig.4b)
- Make sure the hose is secure so there are no leaks.
- Direct the hose toward the drain, making sure that there are no kinks that will stop the water flowing.
- Place the end of the hose into the drain.
- Place the bucket back in the unit and make sure its positioned correctly. (Fig.4c)
- Select the desired humidity setting and fan speed on the unit for continuous draining to start.

Fig.4a

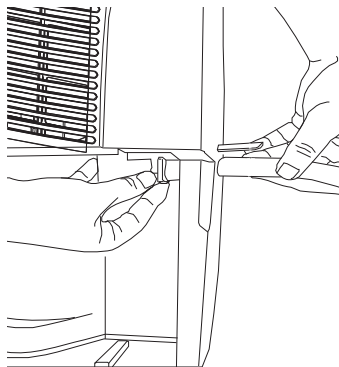


Fig.4b

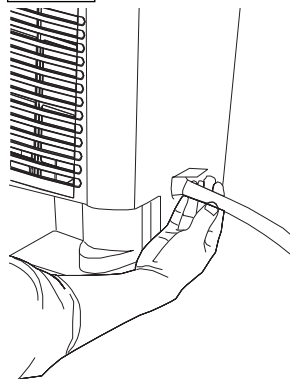
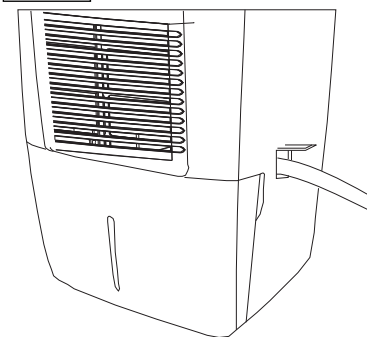


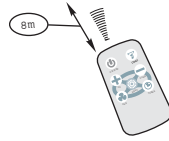
Fig.4c





Operating Instructions

USING THE REMOTE CONTROL



Location of the remote controller.

- Use the remote controller within a distance of 8 meters from the appliance, pointing it towards the receiver. Reception is confirmed by a beep.
- Keep the remote controller where its signals can reach the receiver of the unit. When you select the timer operation, the remote controller automatically transmits a signal to the indoor unit at the specified time. If you keep the remote controller in a position that hinders proper signal transmission, a time lag of up to 15 minutes may occur.

CAUTION

- The unit will not operate if curtains, doors or other materials block the signals from the remote controller to the unit.
- Prevent any liquid from falling into the remote controller. Do not expose the remote controller to direct sunlight or heat.
- If the infrared signal receiver on the indoor unit is exposed to direct sunlight, the air conditioner may not function properly. Use curtains to prevent the sunlight from falling on the receiver.
- If other electrical appliances react to the remote controller, either move these appliances or call the service depot.

REMOTE CONTROLLER SPECIFICATIONS

Model	RG15G/(C)E
Rated Voltage	3.0V(Button cell: CR2025)
Lowest Voltage of CPU Emitting Signal	2.0V
Signal Receiving Range	8m
Environment	-5°C~ 60°C (- 41°F ~ 140°F)



Operating Instructions

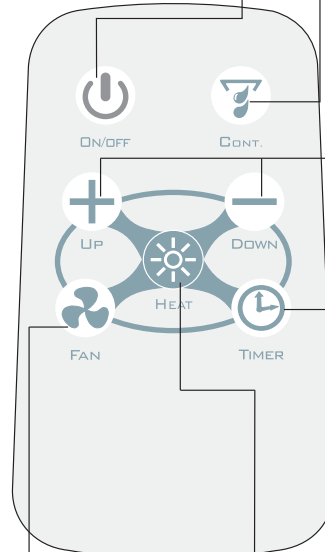
REMOTE CONTROLLER BUTTONS

ON/OFF button

Operation starts when this button is pressed and stops when the button is pressed again.

CONTINUE Button

Push this button to select the continuous dehumidifying mode or dehumidifying mode only.



UP/DOWN Buttons

Humidity Set Control Buttons

The humidity level can be set within a range of 35%RH(Relative Humidity) to 85%RH (RelativeHumidity) in 5% increments.

- For drier air, press the (-) pad and set to a lower percent value(%).
- For damper air, press the (+) pad and set a higher percent value(%).

Timer Set Control buttons

Use the Up/Down buttons to set the Auto start and Auto stop time from 0.0 to 24.

Temperature Set Control buttons

Use the Up/Down buttons to set the desired temperature under the electrical heating mode from 17°C(62°F) - 30°C(86°F).

FAN button

Used to select the fan speed in two steps: low and high.

HEAT button

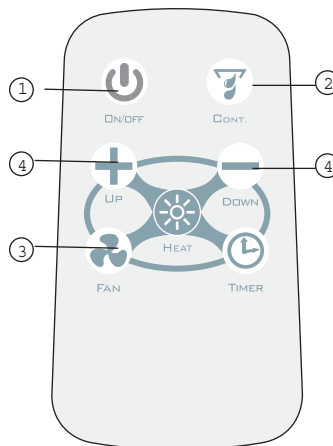
Press this button to activate the electrical heating mode. Press it again to stop the funtion.

TIMER button

Push this button to activate the "Auto Start" or "Auto Stop" feature, in conjunction with the up/down buttons.

NOTE: DEHUMIDIFYING model only has no HEAT button or heating feature.

DEHUMIDIFYING FUNCTION



Ensure the unit is plugged in and power is available.

Continuously Dehumidifying operation:

- 1) Press the **ON/OFF** button to start the unit.
- 2) Press the **CONTINUE** button, the unit will operate continuously for maximum dehumidification until the bucket is full.
- 3) Press the **FAN** button to select Low or High fan speed.

NOTE: Under continuous dehumidifying operation, the humidity level can not be set.

Dehumidifying operation:

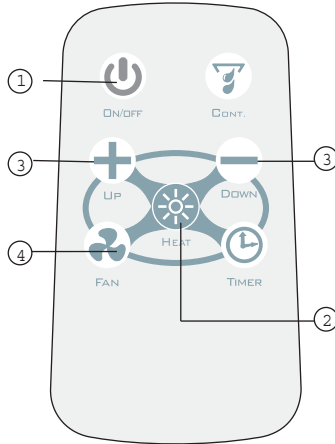
- 1) Press the **ON/OFF** button to start the unit.
- 2) Press the **CONTINUE** button again, the unit will start the dehumidifying operation.
- 3) Press the **UP** or **DOWN** buttons to set the desired humidity level in a range of 35% RH (Relative Humidity) to 85%RH (Relative Humidity) in 5% increments.
- 4) Press the **FAN** button to select Low or High fan speed.

NOTE: Use the **CONTINUE** button to select the Continuously Dehumidifying operation and the Dehumidifying operation.



Operating Instructions

HEATING OPERATION (ON SOME MODELS)

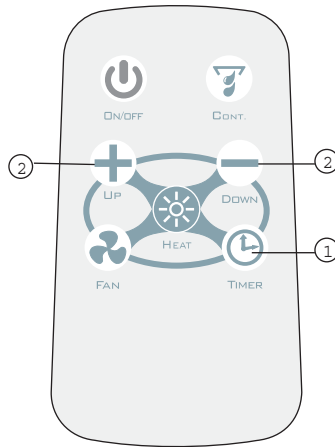


Ensure the unit is plugged in and power is available.

- 1) Press the **ON/OFF** button to start the unit.
- 2) Press the **HEAT** button the unit will operate in electrical heating mode.
- 3) Press the UP/ DOWN buttons to set the desired temperature. The temperature can be set within a range of 17°C (62°F) - 30°C (86°F) in 1°C (1°F) increments.
- 4) Press the FAN button to select Low or High fan speed.

NOTE: DEHUMIDIFYING model only has no HEAT button or heating feature.

TIMER OPERATION



Pressing the **TIMER** button can set the Auto-start and Auto-stop time of the unit.

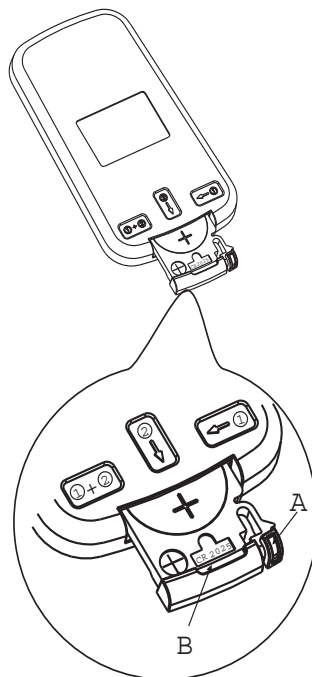
- 1) When the unit is on, first press the **TIMER** button, the Auto Stop program is initiated.
- 2) Press or hold the **UP** or **DOWN** button to change the Auto time by 0.5 hour increments, up to 10 hours (then at 1 hour increments up to 24 hours). The unit control will count down the time remaining until start.
- 3) In the 5 seconds after setting auto stop time press the **TIMER** button again, the Auto Start program is initiated. Set the auto start time as in step 2 above.
- 4) When the unit is off, press the **TIMER** button, the Auto start program is initiated. Set the auto start time as in step 2 above. In the 5 seconds after setting auto start time press the **TIMER** button again, the Auto Stop program is initiated. Set the auto stop time as in step 2 above.
- 5) Turning the unit ON or OFF at any time or adjusting the Start/Stop timer setting to 0.0 will cancel the Auto Start/Stop function.

CHANGING THE BATTERIES ON THE REMOTE

CAUTION

- Do not use a battery of different type.
- Do not leave the battery in the remote controller if it is not going to be used for 2 or 3 months.
- Do not dispose batteries as unsorted municipal waste. Collection of such waste separately for special treatment is necessary.

NOTE: When the batteries are removed, the remote controller erases all programming. After inserting new batteries, the remote controller must be reprogrammed.



The remote controller is powered by one button cell housed in the rear part and protected by a cover. Remove the button cell according to the arrow marked at the back of the remote controller.

1. Slightly press "A" position according to the number 1 arrow direction by your forefinger.
2. Press "B" position and pull it according to the number 2 arrow direction by your thumb.
3. The above step 1 and 2 should be done simultaneously to slide the button cell out.



Care and Maintenance

CLEANING

CAUTION

Before attempting to clean and/or service this unit, always disconnect the power supply cord from the electrical supply outlet.

- 1) **DO NOT** use gasoline, benzene, paint thinner, or any other chemicals to clean this unit, as these substances will damage/deform both plastic components and luster finish.
- 2) Never attempt to clean the unit by pouring water directly over any of the surface areas, as this will cause deterioration of electrical components and wiring insulation.
- 3) Use only a mild dish washing detergent, lukewarm water, and a soft cloth to wipe the exterior surface of the unit and dry thoroughly.

STORAGE

When the dehumidifier is not being used for long time periods, please follow these instructions:

- 1) Disconnect the power cord from the power supply.
- 2) Empty the water tank and wipe (clean) thoroughly.
- 3) Clean air filter thoroughly.
- 4) Re-package the unit in the original carton.
- 5) Store the unit upright in a dry location.



Troubleshooting

Occasionally a problem may arise that is minor in nature, and a service call may not be necessary. Use this troubleshooting guide for a possible solution. If the unit continues to operate improperly, call an authorized service depot or Danby's Toll Free Number **1-800-263-2629** for assistance.

PROBLEMS	POSSIBLE CAUSE
1) Unit will not operate.	<ul style="list-style-type: none"> • Check power cord connection. • Check electrical outlet for blown fuse. • Check if water tank is full (if yes, empty). • Check water tank is properly installed.
2) Dehumidifying capacity (moisture removal) low.	<ul style="list-style-type: none"> • Air filter is dirty and/or blocked. • Ambient (room) temperature too low (below 5°C/41°F). • Poor air flow circulation/obstruction of front grill. • Relative humidity in surrounding environment very low.
3) Relative Humidity setting not reached after long period of operation.	<ul style="list-style-type: none"> • Check all doors and windows are closed. • Area/room is too large for the capacity of the dehumidifier.



Danby[®] LIMITED APPLIANCE WARRANTY

This quality product is warranted to be free from manufacturer's defects in material and workmanship, provided that the unit is used under the normal operating conditions intended by the manufacturer.

This warranty is available only to the person to whom the unit was originally sold by Danby Products Limited (Canada) or Danby Products Inc. (U.S.A.) (hereafter "Danby") or by an authorized distributor of Danby, and is non-transferable.

TERMS OF WARRANTY

Plastic parts, are warranted for thirty (30) days only from purchase date, with no extensions provided.

First Year During the first twelve (12) months, any functional parts of this product found to be defective, will be repaired or replaced, at warrantor's option, at no charge to the ORIGINAL purchaser.

To obtain Service It will be the consumer's responsibility to transport the appliance (at their own expense) to the original retailer (point of purchase) or a service depot for repair. Contact your dealer from whom your unit was purchased, or contact your nearest authorized Danby service depot, where service must be performed by a qualified service technician.

If service is performed on the unit by anyone other than an authorized service depot, or the unit is used for commercial application, all obligations of Danby under this warranty shall be void.

Nothing within this warranty shall imply that Danby will be responsible or liable for any spoilage or damage to food or other contents of this appliance, whether due to any defect of the appliance, or its use, whether proper or improper.

EXCLUSIONS

Save as herein provided, Danby, there are no other warranties, conditions, representations or guarantees, express or implied, made or intended by Danby or its authorized distributors and all other warranties, conditions, representations or guarantees, including any warranties, conditions, representations or guarantees under any Sale of Goods Act or like legislation or statute is hereby expressly excluded. Save as herein provided, Danby shall not be responsible for any damages to persons or property, including the unit itself, howsoever caused or any consequential damages arising from the malfunction of the unit and by the purchase of the unit, the purchaser does hereby agree to indemnify and hold harmless Danby from any claim for damages to persons or property caused by the unit.

GENERAL PROVISIONS

No warranty or insurance herein contained or set out shall apply when damage or repair is caused by any of the following:

- 1) Power failure.
- 2) Damage in transit or when moving the appliance.
- 3) Improper power supply such as low voltage, defective house wiring or inadequate fuses.
- 4) Accident, alteration, abuse or misuse of the appliance such as inadequate air circulation in the room or abnormal operating conditions (extremely high or low room temperature).
- 5) Use for commercial or industrial purposes (ie. If the appliance is not installed in a domestic residence).
- 6) Fire, water damage, theft, war, riot, hostility, acts of God such as hurricanes, floods etc.
- 7) Service calls resulting in customer education.
- 8) Improper Installation (ie. Building-in of a free standing appliance or using an appliance outdoors that is not approved for outdoor application).

Proof of purchase date will be required for warranty claims; so, please retain bill of sale. In the event warranty service is required, present this document to our AUTHORIZED SERVICE DEPOT.

Warranty Service
Carry-In

Danby Products Limited
PO Box 1778, Guelph, Ontario, Canada N1H 6Z9
Telephone: (519) 837-0920 FAX: (519) 837-0449

1-800-263-2629

Danby Products Inc
PO Box 669, Findlay, Ohio, U.S.A. 45840
Telephone: (419) 425-8627 FAX: (419) 425-8629

04/09

BIENVENUE

Merci d'avoir choisi un appareil Danby qui vous fournira ainsi qu'à votre famille, le confort au foyer, à la maison, au chalet ou au bureau. Ce manuel d'utilisation vous offre des renseignements pratiques pour le soin et l'entretien de votre nouvel appareil. Un appareil Danby bien entretenu vous fournira plusieurs années de service sans ennui.

Veillez prendre quelques moments pour lire attentivement toutes les directives pour vous renseigner et vous familiariser avec tous les aspects du fonctionnement de votre appareil. Cet appareil peut être aisément déplacé d'une pièce à l'autre de la maison et il est installé en quelques minutes seulement.

Pour la référence aisée, nous vous suggérons de joindre une copie de votre reçu de caisse et/ou facture d'achat à cette page, et d'inscrire les renseignements suivants qui sont trouvés sur la plaque d'identification du fabricant. Celle-ci est située sur le panneau arrière de l'appareil.

CONSERVER CES INSTRUCTIONS POUR CONSULTATION FUTURE.

Numéro de modèle: _____
Numéro de série: _____
Date d'achat: _____

MISE EN GARDE

Ne laissez pas cette unité sans surveillance ou ne fonctionnez pas dans un espace où les gens et animaux ne peuvent pas réagir rapidement. Un appareil défaillant peut susciter une surchauffe extrême résultant à un accident avec blessures personnelles et les dommages de propriété.

Ces renseignements seront requis si le service est demandé et/ou si vous désirez obtenir des renseignements supplémentaires. Pour consulter un Représentant du service à la clientèle, composez le NUMÉRO D'APPEL SANS FRAIS suivant: **(1-800-263-2629)**



Consignes de sécurité important

LISEZ TOUTE L'INFORMATION DE SÉCURITÉ AVANT UTILISATION

POUR VOTRE SÉCURITÉ: Lire attentivement ces instructions avant d'utiliser l'appareil.

REMARQUE

Les instructions de sécurité présentées dans ce manuel ne peuvent couvrir toutes les situations qui pourraient survenir. Chacun doit comprendre qui l'utilisation adéquate de l'appareil lui-même et qui relèvent uniquement du comportement de la personne qui installe l'appareil ou l'utilise, ou qui exécute les opérations d'entretien. Le non-respect des instructions d'installation, d'utilisation ou d'entretien de l'appareil fournies par le fabricant peut susciter une situation pouvant conduire à des dommages matériels et/ou corporels. L'utilisateur devrait contacter le revendeur ou un agent de service après-vente du fabricant au sujet de tout problème ou situation qui n'est pas parfaitement compris. Pour contacter le centre de service-client; **1-800-26-DANBY (1-800-263-2629)**

SPECIFICATIONS ELECTRIQUE

Pour réduire le risque d'incendie, choc électrique ou dommages corporels, il convient que tout câblage électrique et circuit de liaison à la terre soit conforme aux prescriptions de l'édition la plus récente des codes local et national réglissant les installations électriques.

- C'est à l'acquéreur qu'incombe la responsabilité de consulter éventuellement un électricien qualifié qui pourra inspecter le câblage et les fusibles de la résidence et déterminer si la source d'électricité disponible est adéquate pour l'alimentation de l'appareil.
- Cet appareil est conçu pour être alimenté par un circuit 120 volts CA, 60 Hz (circuit indépendant à 3 conducteurs, alimentant une prise de courant convenablement polarisée et reliée à la terre) protégée par un fusible de 15 ampères (ou disjoncteur ou fusible temporisé équivalent).
- La fiche de branchement à trois broches du cordon d'alimentation doit être branchée directement sur une prise de courant polarisée de même configuration et reliée à la terre, conçu pour les circuits 110/120 V CA.

POUR VOTRE SÉCURITÉ: Pour minimiser tout risque d'incendie ou d'explosion, ne jamais remiser d'essence ou autre produit liquide ou gazeux inflammable au voisinage de cet appareil ou de tout autre appareil.

INSTRUCTIONS DE MISE À LA TERRE

Le raccordement incorrect à la terre de cet appareil peut susciter un risque de choc électrique. En cas de doute quant à la qualité de la mise à la terre de la prise de courant disponible, consulter un électricien qualifié.

Cet appareil doit être relié à la terre. Advenant une anomalie de fonctionnement ou une panne, la mise à la terre réduira le risque de choc électrique, parce qu'un itinéraire de moindre résistance sera disponible pour le passage du courant électrique. Cet appareil est équipé d'un cordon d'alimentation comportant un conducteur de mise à la terre et une fiche de branchement à trois broches (pour liaison à la terre). La fiche de branchement doit être branchée sur une prise de courant convenablement installée et reliée à la terre conformément aux prescriptions des codes et règlements locaux en vigueur.

Ne jamais modifier la fiche de branchement de l'appareil. Si la configuration de la fiche de branchement ne permet pas son branchement sur la prise de courant, il sera nécessaire de faire installer une prise de courant adéquate par un électricien qualifié. Si les caractéristiques de la source d'alimentation électrique de la résidence ne correspondent pas aux spécifications ci-dessus, ou en cas d'incertitude quant à la qualité de la mise à la terre, demander à un électricien qualifié ou à la compagnie de distribution d'électricité d'inspecter l'installation électrique et d'effectuer tout travail correctif nécessaire.

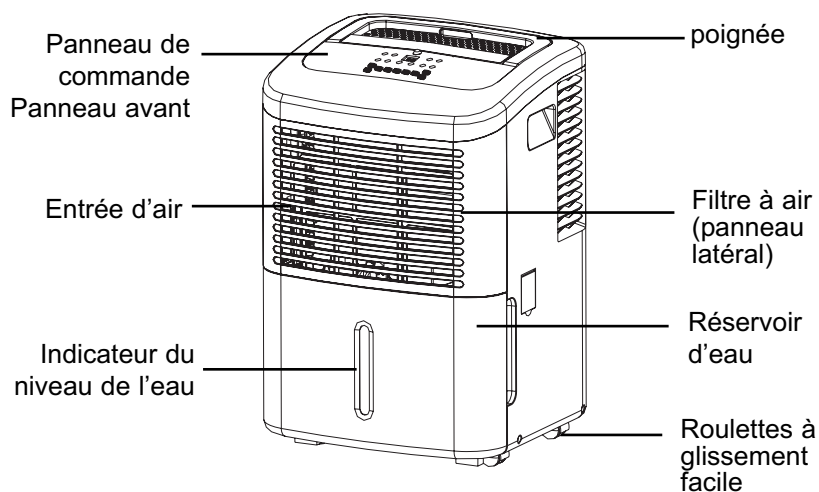
Installation

L'EMPLACEMENT

- Choisir un emplacement approprié, avec accès facile à une prise de courant (éviter l'emploi d'une rallonge). S'il est absolument nécessaire d'utiliser une rallonge pour l'alimentation de l'appareil, utiliser uniquement une rallonge agréé pour climatiseur (disponible dans la plupart des magasins de quincaillerie).
- Choisir un emplacement où rien n'entravera la circulation de l'air à travers la grille d'admission avant. Maintenir une distance de séparation d'au moins 20cm (8po) entre les murs adjacents et l'arrière de l'appareil, pour optimiser l'efficacité et la circulation de l'air. L'appareil fonctionne au niveau d'efficacité maximum lorsque la température ambiante de la pièce est située entre 5°C (41°F)- 35°C (95°F).
- Il est important de noter que l'efficacité d'un déshumidificateur sera influencée par la taux de réintroduction d'air humide dans la pièce. Pour obtenir la meilleure efficacité, il convient de faire fonctionner le déshumidificateur dans un espace fermé. Fermer toutes les portes et fenêtres.

Caractéristiques

- Clavier de commande tactile (électronique)
- Auto-détection de l'hygrométrie ambiante
- Réglage selon l'hygrométrie (35% - 85%)
- Ventilateur à 2 vitesses (Haut/Bas)
- Mise en marche temporisée- protection (compresseur)
- Dégivrage automatique
- Témoin « réceptacle plein »
- Roulettes pour déplacement facile (4)
- Réservoir d'eau situé sur l'avant (amovible)
- Option de drainage direct (tuyau pas inclus)
- Fonctionnement silencieux
- Filtre à air amovible

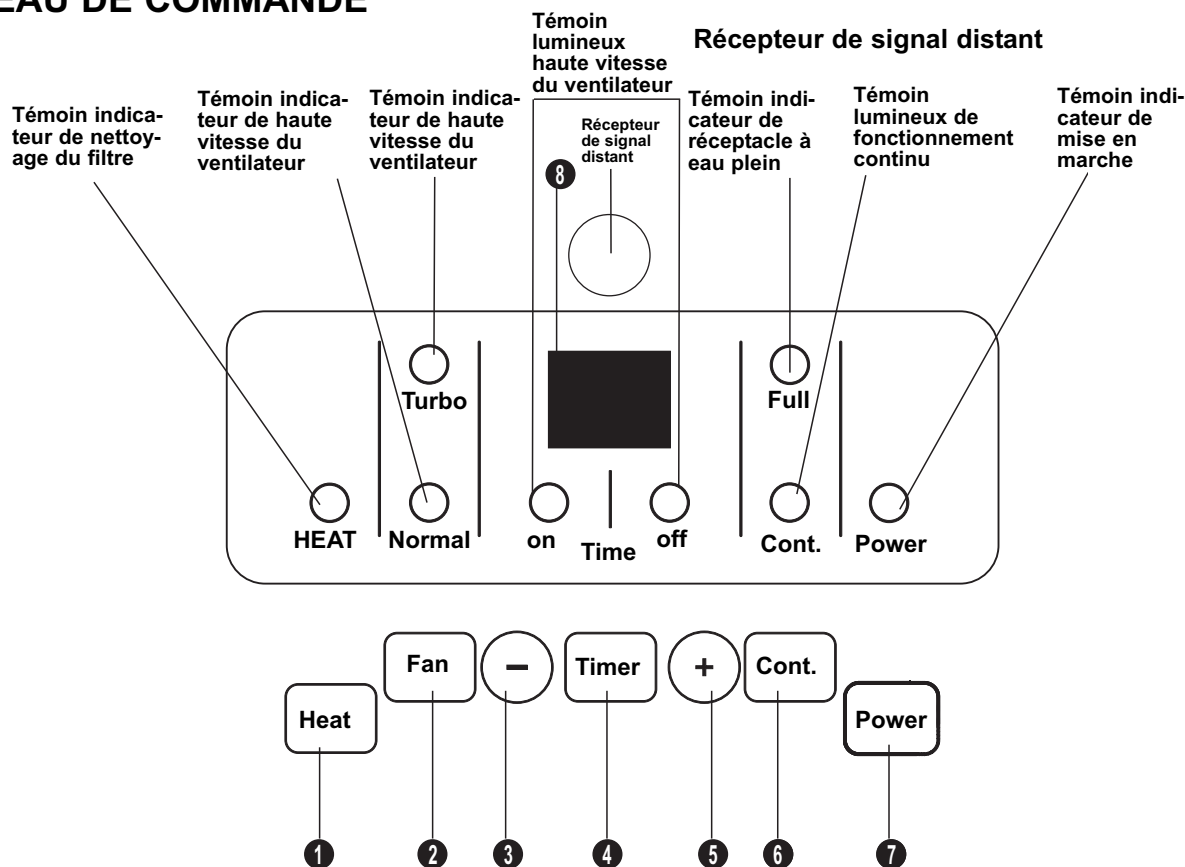




Consignes d'utilisation

DIRECTIVES RELATIVES AU PANNEAU DE COMMANDE

REMARQUE : Il est possible que le panneau de commande de l'appareil que vous achetez soit légèrement différent, selon le modèle.



COMMANDES

Lorsque vous appuyez sur le bouton pour changer le mode de fonctionnement, l'appareil émet un bip pour indiquer qu'il change de mode.

1) BOUTON HEAT (CHALEUR)

Appuyez sur ce bouton pour activer le mode de chauffage électrique. Appuyez dessus à nouveau pour désactiver la fonction.

REMARQUE : Le modèle déshumidificateur n'est pas doté du bouton HEAT et de la fonction de chauffage.

2) Bouton FAN (VENTILATEUR)

Contrôle la vitesse du ventilateur. Appuyez pour sélectionner la vitesse normale (Normal) ou la vitesse élevée (High). Réglez le ventilateur à High (Élevé) pour éliminer le maximum d'humidité. Lorsque l'humidité est réduite et un fonctionnement silencieux est préféré, réglez le ventilateur à Normal.

3,4) BOUTONS (+ / -)

Touches de contrôle de réglage de l'humidité

Le niveau d'humidité peut être réglé à l'intérieur d'une plage de 85 % d'HR (humidité relative) à 35 % d'HR par intervalles de 5 %.

- Pour obtenir un air plus sec, appuyez sur la touche (-) et sélectionnez un pourcentage plus élevé (%).
- Pour obtenir un air plus humide, appuyez sur la touche (+) et sélectionnez un pourcentage plus élevé (%).

Boutons de réglage de la minuterie

Utilisez les boutons UP et DOWN pour régler le délai de démarrage automatique et d'arrêt automatique entre 0,0 et 24.

Boutons de réglage de la température

Utilisez les touches UP et DOWN pour régler la température souhaitée en mode chauffage électrique entre 17 °C (62 °F) et 30 °C (86 °F).

5) Bouton Timer (Minuterie)

Appuyez sur ce bouton pour activer la fonction de démarrage automatique et d'arrêt automatique, conjointement avec les touches (+) et (-).

6) Bouton Continu

Appuyez sur ce bouton pour activer la fonction de déshumidification continue et la fonction de déshumidification.



Consignes d'utilisation

COMMANDES

7) Bouton Power (Marche/Arrêt)

Appuyez pour allumer ou éteindre le déshumidificateur.

8) Affichage

Pendant le réglage, indique le niveau d'humidité réglé en % de 35 % à 85 %, ou l'heure de démarrage/d'arrêt automatique (de 0 à 24); ensuite, indique le niveau d'humidité réel de la pièce (avec une précision de +/- 5 %), à l'intérieur d'une plage de 30 % d'HR (humidité relative) à 90 % d'HE (humidité relative).

Codes d'erreur et codes de protection

AS - Erreur du capteur d'humidité : débranchez et rebranchez l'appareil. Si l'erreur se reproduit, appelez l'atelier de réparation.

ES - Erreur du capteur de température : débranchez et rebranchez l'appareil. Si l'erreur se reproduit, appelez l'atelier de réparation.

P1 - L'appareil décongèle : laissez à l'appareil le temps d'effectuer le dégivrage automatique. L'erreur se lèvera après le dégivrage automatique de l'appareil.

P2 - Le seau est plein ou n'est pas en place : videz le seau et remettez-le à sa place.

E1 - Défaillance de l'appareil : débranchez et rebranchez l'appareil. Si l'erreur se reproduit, appelez l'atelier de réparation.

FUNCTION DES TÉMOINS LUMINEUX

Témoin Lumineux (vert):

Quand l'unité est premièrement connectée à une sortie électrique, le (vert) le pouvoir allume n'allumera pas jusqu'à ce que le bouton de « Marche/Arrêt » appuyé. Quand le bouton de « Marche/Arrêt » activé, la lumière de pouvoir tourne à un état « Marche » la condition. Le déshumidificateur automatique prendra par défaut à la mémoire réglant (voit le Fonction de Mémoire au dessous pour les détails).

NOTE IMPORTANTE : Dépendre des conditions d'humidité de l'environnement environnant, le déshumidificateur ne peut pas commencer automatiquement quand le bouton de « Marche/Arrêt » appuyé (voit les instructions d'opération d'humidité pour les détails). En cas d'une panne d'électricité, l'unité prendra par défaut au dernier cadre de programme qui a été utilisé quand le pouvoir est restauré.

Témoin Rouge « Réceptacle à eau plein »: Lorsque le réceptacle à eau est plein, ou s'il n'est pas correctement placé à l'intérieur de l'appareil, le témoin rouge s'illumine; il reste illuminé jusqu'à ce que le réceptacle à eau ait été vidé et/ou correctement replacé. Ceci suscite l'arrêt immédiat du déshumidificateur (l'alimentation du compresseur et du moteur du ventilateur est interrompue). Il s'agit d'un dispositif de sécurité. Après qu'on a vidé le réceptacle à eau et qu'on l'a correctement repositionné, le déshumidificateur reprend automatiquement son fonctionnement.

NOTE: Il peut être nécessaire d'attendre plusieurs minutes avant la remise en marche du déshumidificateur.

Configuration de réglage de l'usine: Chaque fois qu'on branche l'appareil après l'avoir débranché, ou après une interruption de l'alimentation, le circuit de commande électronique adopte automatiquement par défaut la configuration de réglage définie à l'usine.

Réglage delon l'hygrométrie ambiante: 60%

Vitesse ventilateur: Haute



Consignes d'utilisation

RÉCEPTACLE À EAU

IMPORTANT

On ne doit jamais circonvenir l'action du contacteur de sécurité associé au flotteur dans le réceptacle à eau.

Il est essentiel que le réceptacle à eau soit correctement installé dans l'appareil pour que le déshumidificateur fonctionne correctement.

L'eau condensée générée par la processus de déshumidification s'accumule dans le réceptacle à eau; un contacteur de sécurité empêche le fonctionnement de l'appareil lorsque le réceptacle à eau est plein, ou si le réceptacle à eau a été accidentellement déplacé à l'intérieur de son logement (action de flotteur dans le réceptacle à eau). L'interruption de l'alimentation lors de l'ouverture du contacteur de sécurité provoque immédiatement l'arrêt du compresseur et du moteur du ventilateur, et par conséquent l'interruption du processus de déshumidification.

DÉSHUMIDIFICATION

Lors du branchement initial de l'appareil sur la prise de courant, le témoin d'alimentation vert clignote; il continue à clignoter jusqu'à ce qu'on appuie sur le bouton de mise en marche ON/OFF; lors de la pression sur le bouton, le témoin vert cesse de clignoter et il reste illuminé en permanence; l'appareil adopte automatiquement la configuration de fonctionnement suivante:

Réglage selon l'hygrométrie ambiante:
hygrométrie relative de 60%
Vitesse ventilateur: Haut

NOTE IMPORTANTE: Selon le taux d'hygrométrie de l'environnement, l'appareil peut ne pas semettre en marche automatiquement avec la configuration de réglage adoptée par défaut (ceci indique que le taux d'hygrométrie de l'environnement est inférieur à 60%). Par conséquent il sera alors nécessaire de sélectionner successivement chacun des réglages d'hygrométrie jusqu'à ce que l'humidistat identifie un taux d'hygrométrie qui permet le fonctionnement de l'appareil.

SÉLECTION DU MODE DE DÉSHUMIDIFICATION:

- 1) Appuyer sur le bouton ON/OFF pour commander la mise en marche de l'appareil.
- 2a) Appuyez la touche d'humidité UP ou DOWN pour sélectionner la valeur de l'humidité relative désirez (35% - 85%).

OU

- 2b) Appuyez sur la touche Continu. Quand la mode continu est sélectionnée le compresseur fonctionne sans arrêt indépendamment des conditions d'humidité.

VENTILATEUR:

- 3) Choisissez une vitesse du ventilateur. La mode vitesse sélectionnée est identifiée par (l'éclairage) l'indicateur lumineux situé au-dessus de la sélection faite.

FILTRE À AIR

Le déshumidificateur comporte un filtre à air amovible, situé à l'avant de l'appareil (derrière Entrée d'air) directement au-dessus du compartiment du réceptacle à eau.

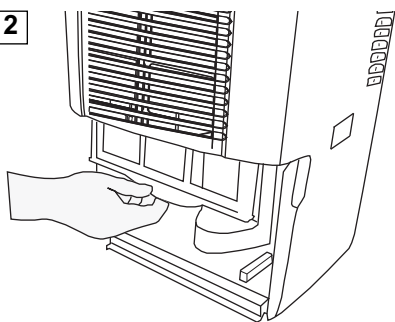
La fonction du filtre à air est de minimiser la concentration de particules de poussière dans l'atmosphère environnante. Un filtre à air obstrué réduit le débit de circulation d'air, ce qui dégrade l'efficacité de fonctionnement de l'appareil. On doit inspecter et nettoyer le filtre à intervalles réguliers (intervalle de deux semaines) pour que l'appareil puisse toujours fonctionner au niveau d'efficacité maximum. Il peut être nécessaire d'augmenter la fréquence des nettoyages, selon la qualité de l'air à traiter.



Consignes d'utilisation

FILTRE À AIR

Fig. 2



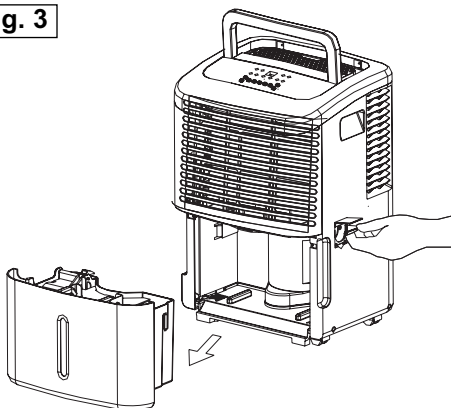
IMPORTANT: Ne jamais faire fonctionner l'appareil lorsque le filtre à air n'est pas en place.

DÉPOSE DU FILTRE À AIR:

- 1) Saisir la poignée du filtre, le filtre glissera facilement (**Fig. 2**)
- 2) Nettoyer parfaitement le filtre à air avec un aspirateur. On peut également le laver avec de l'eau tiède et un détergent doux. Faire sécher parfaitement le filtre avant de le réinstaller.
- 3) Pour réinstaller le filtre à air, réinsérer le filtre dans les glissières et pousser jusqu'à la position d'emboîtement.

DRAINAGE DIRECT

Fig. 3



Ce déshumidificateur est doté d'une fonction de drainage direct, qui se trouve à l'arrière du boîtier. **REMARQUE :** Le tuyau de drainage n'est pas fourni avec l'appareil. La fonction de drainage direct ne doit être utilisée que dans les sous-sols dotés d'un siphon de sol.

REMARQUE : Ne tentez pas d'utiliser la fonction de drainage direct avec le réceptacle à eau.

L'eau peut se vider automatiquement dans un siphon de sol lorsque l'on attache un tuyau à l'appareil (diamètre de 24 mm, non compris).

- Retirez le réceptacle à eau de l'appareil et mettez-le de côté.
- Soulevez le rabat latéral situé sur le côté droit de l'appareil (lorsque l'on regarde le devant). (**Fig. 3**)
- Insérez le bout fileté femelle du tuyau dans l'ouverture. (**Fig. 4a**)
- Vissez le tuyau d'arrosage sur la partie filetée du plateau qui se trouve sous l'ouverture pour le réceptacle à eau. (**Fig. 4b**)
- Assurez-vous que le tuyau est vissé solidement, afin qu'il n'y ait aucune fuite.
- Orientez le tuyau en direction du siphon, en s'assurant qu'aucun pli n'empêchera l'eau de couler.
- Placez l'extrémité du tuyau dans le siphon.
- Remettez le réceptacle à eau dans l'appareil et assurez-vous qu'il est positionné correctement. (**Fig. 4c**)
- Sélectionnez le degré d'humidité et la vitesse du ventilateur sur l'appareil afin que le drainage continu puisse commencer.

Fig.4a

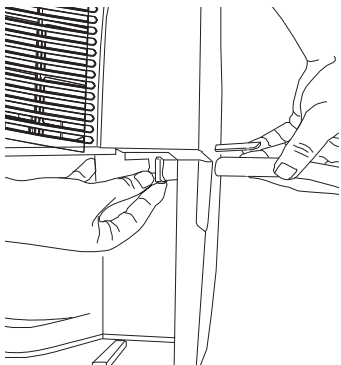


Fig.4b

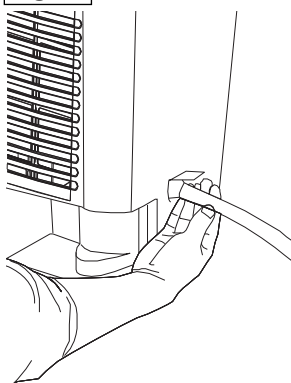
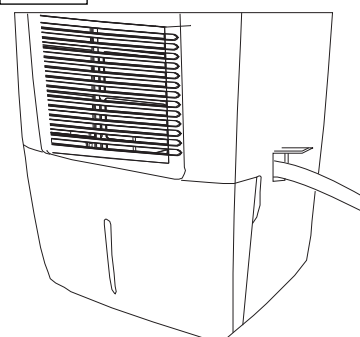


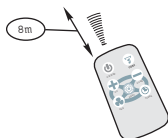
Fig.4c





Consignes d'utilisation

UTILISATION DE LA TÉLÉCOMMANDE



Emplacement de la télécommande.

- Utilisez la télécommande à une distance de 8 mètres ou moins de l'appareil, en l'orientation dans la direction du récepteur. La réception est confirmée par un bip sonore.
- Gardez la télécommande à un endroit d'où ses signaux peuvent atteindre le récepteur de l'appareil. Lorsque vous sélectionnez le fonctionnement par minuterie, la télécommande transmet automatiquement un signal à l'unité intérieure au moment indiqué. Si vous rangez la télécommande à un endroit qui empêche une bonne transmission du signal, un délai maximal de 15 minutes est possible.

MISE EN GARDE

- L'appareil ne fonctionne pas si le signal envoyé par la télécommande à l'unité intérieure est bloqué par des rideaux, des portes ou d'autres matériaux.
- Ne laissez pas de liquides tomber sur la télécommande. N'exposez pas la télécommande à la chaleur ou à la lumière directe du soleil.
- Si le récepteur du signal infrarouge qui se trouve sur l'unité intérieure est exposé à la lumière directe du soleil, il est possible que le climatiseur ne fonctionne pas correctement. Tirez les rideaux pour empêcher que la lumière ne tombe sur le récepteur.
- Si d'autres appareils électriques réagissent à la télécommande, déplacez-les ou communiquez avec l'atelier de réparation.

SPÉCIFICATIONS DE LA TÉLÉCOMMANDE

Modèle	RG15G/(C)E
Tension nominale	3 V (pile bouton : CR2025)
Tension la moins élevée du CPU émetteur de signal	2 V
Portée de réception du signal	8 m
Environnement	De -5 °C à 60 °C (de -41 °F à 140 °F)



Consignes d'utilisation

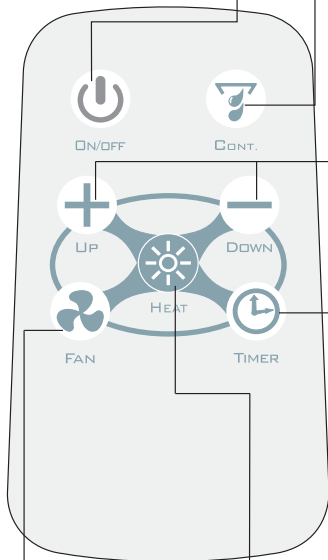
BOUTONS DE LA TÉLÉCOMMANDE

Bouton ON/OFF

Le fonctionnement commence lorsque l'utilisateur appuie sur ce bouton et s'arrête lorsque l'utilisateur appuie dessus à nouveau.

Bouton CONTINUE

Appuyez sur ce bouton pour sélectionner le mode de déshumidification continue ou le mode déshumidification seulement.



Boutons UP/DOWN

Boutons de contrôle de réglage de l'humidité

Le niveau d'humidité peut être réglé à l'intérieur d'une plage allant de 85 % d'HR (humidité relative) à 35 % d'HR par intervalles de 5 %.

- Pour obtenir un air plus sec, appuyez sur la touche (-) et sélectionnez un pourcentage plus bas (%).
- Pour obtenir un air plus humide, appuyez sur la touche (+) et sélectionnez un pourcentage plus élevé (%).

Boutons de réglage de la minuterie

Utilisez les boutons UP et DOWN pour régler le délai de démarrage automatique de 0,0 à 24.

Boutons de réglage de la température

Utilisez les boutons UP et DOWN pour régler la température souhaitée en mode chauffage électrique entre 17 °C (62 °F) et 30 °C (86 °F).

Bouton FAN

Utilisé pour sélectionner la vitesse du ventilateur : basse ou élevée.

Bouton HEAT

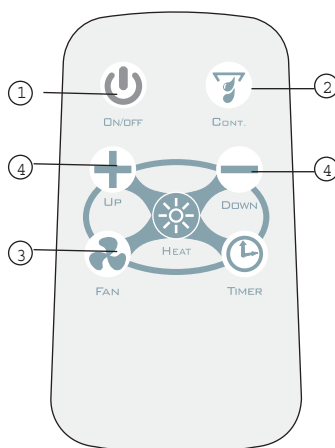
Appuyez sur ce bouton pour activer le mode de chauffage électrique. Appuyez dessus à nouveau pour désactiver la fonction.

Bouton TIMER

Appuyez sur ce bouton pour activer les programmes « mise en marche automatique » ou « arrêt automatique », conjointement avec les boutons UP/DOWN.

REMARQUE : Le modèle déshumidificateur n'est pas doté du bouton HEAT et de la fonction de chauffage.

FUNCTION DE DÉSHUMIDIFICATION



Assurez-vous que l'appareil est branché et sous tension.

Déshumidification continue :

- 1) Appuyez sur le bouton **ON/OFF** pour mettre l'appareil en marche.
- 2) Appuyez sur le bouton **CONTINUE** pour que l'appareil fonctionne de façon ininterrompue afin de générer une déshumidification maximale, jusqu'à ce que le réceptacle à eau soit plein.
- 3) Appuyez sur le bouton **FAN** pour sélectionner la vitesse du ventilateur (élevée ou basse).

REMARQUE : Lorsque la déshumidification continue est sélectionnée, le niveau d'humidité ne peut pas être sélectionné.

Déshumidification :

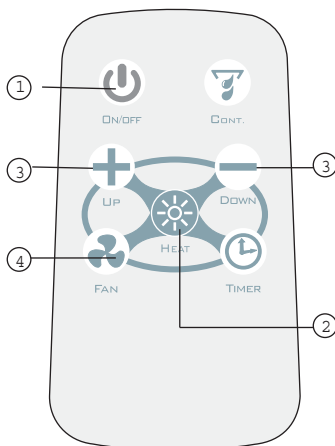
- 1) Appuyez sur le bouton **ON/OFF** pour mettre l'appareil en marche.
- 2) Appuyez sur le bouton **CONTINUE** à nouveau pour que l'appareil commence à déshumidifier.
- 3) Appuyez sur le bouton **UP** ou **DOWN** pour régler le niveau d'humidité à l'intérieur d'une plage de 85 % d'HR (humidité relative) à 35 % d'HR par intervalles de 5 %.
- 4) Appuyez sur le bouton **FAN** pour sélectionner la vitesse du ventilateur (élevée ou basse).

REMARQUE : appuyez sur le bouton **CONTINUE** pour sélectionner la fonction de déshumidification continue et la fonction de déshumidification.



Consignes d'utilisation

CHAUFFAGE (CERTAINS MODÈLES SEULEMENT)

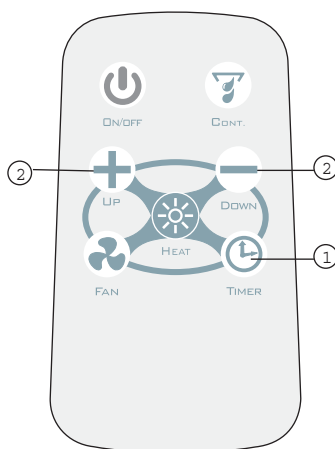


Assurez-vous que l'appareil est branché et sous tension.

- 1) Appuyez sur le bouton **ON/OFF** pour mettre l'appareil en marche.
- 2) Appuyez sur le bouton **HEAT** pour que l'appareil fonctionne en mode chauffage électrique.
- 3) Appuyez sur les boutons **UP / DOWN** pour régler la température au niveau souhaité. La température peut être réglée entre 17 °C (62 °F) et 30 °C (86 °F), par intervalles de 1 °C (1 °F).
- 4) Appuyez sur le bouton **FAN** pour sélectionner la vitesse du ventilateur (élevée ou basse).

REMARQUE : Le modèle déshumidificateur n'est pas doté du bouton **HEAT** et de la fonction de chauffage.

MINUTEUR



Appuyez sur le bouton **TIMER** pour sélectionner l'heure de démarrage automatique et d'arrêt automatique de l'appareil.

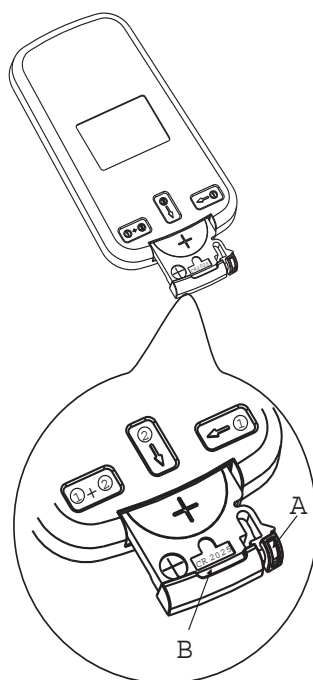
- 1) Lorsque l'appareil est en marche, appuyez sur le bouton **TIMER** pour amorcer le programme d'arrêt automatique.
- 2) Appuyez ou tenez le bouton **UP** Ou **DOWN** pour changer le délai d'arrêt automatique par intervalles de 0,5 heure, jusqu'à 10 heures (ensuite, par intervalles d'une heure jusqu'à 24 heures). La commande effectue un compte à rebours jusqu'à l'heure du début.
- 3) Dans les 5 secondes qui suivent le réglage du délai d'arrêt automatique, appuyez sur le bouton **TIMER** une deuxième fois pour amorcer le programme de mise en marche automatique. Suivez la procédure décrite à l'étape 2 pour régler le délai de démarrage automatique.
- 4) Lorsque l'appareil est éteint, appuyez sur le bouton **TIMER** pour amorcer le programme de mise en marche automatique. Suivez la procédure décrite à l'étape 2 pour régler le délai de mise en marche automatique, appuyez sur le bouton **TIMER** une deuxième fois pour amorcer le programme d'arrêt automatique. Suivez la procédure décrite à l'étape 2 pour régler le délai d'arrêt automatique.
- 5) Le fait d'allumer ou d'éteindre l'appareil ou de régler le délai d'arrêt ou de mise en marche de la minuterie à 0,0 annule les fonctions d'arrêt/de mise en marche automatique.

CHANGEMENT DES PILES DE LA TÉLÉCOMMANDE

MISE EN GARDE

- N'utilisez pas une pile d'un type différent.
- Ne laissez pas la pile dans la télécommande si celle-ci ne servira pas pendant 2 à 3 mois.
- Ne jetez pas les piles dans les déchets municipaux non triés. La collecte séparée de tels déchets pour un traitement particulier est nécessaire.

REMARQUE : Lorsque les piles sont enlevées, toute la programmation de la télécommande est effacée. Après l'insertion de nouvelles piles, la télécommande doit être reprogrammée.



La télécommande est alimentée par une pile bouton installée dans la partie arrière et protégée par un couvercle. Enlevez la pile bouton en suivant la direction indiquée par les flèches sur l'arrière de la télécommande.

1. Appuyez légèrement sur la position « A » avec l'index, dans la direction indiquée par la flèche 1.
2. Appuyez sur la position « B » avec le pouce et tirez dessus dans la direction indiquée par la flèche 2.
3. Les étapes 1 et 2 doivent être effectuées simultanément afin de pouvoir glisser la pile bouton hors du compartiment.



Soins et entretien

CLEAING

PRÉCAUTION

On doit toujours débrancher le cordon d'alimentation de la prise de courant électrique avant d'entreprendre une opération de nettoyage ou d'entretien de l'appareil

- 1) NE JAMAIS utiliser d'essence, benzène, de peinture, diluant ou autre composé chimique pour nettoyer cet appareil; toutes ces substances feront subir des dommages ou déformations aux composants de plastique et dégraderont la finition.
- 2) Ne jamais verser de l'eau directement sur l'appareil; ceci pourrait faire subir des dommages aux composants électriques et à l'isolant des conducteurs électriques.
- 3) Utiliser uniquement de l'eau tiède, un détergent pour lave-vaisselle et un chiffon doux pour essuyer complètement les surfaces externes de l'appareil.

REMISAGE

Si le déshumidificateur doit rester inutilisé et être remisé durant une période prolongée, procéder comme suit:

- 1) Débrancher le cordon d'alimentation de la prise de courant.
- 2) Vider le réceptacle à eau; essuyer parfaitement les surfaces.
- 3) Nettoyer parfaitement le filtre à air.
- 4) Remettre l'appareil dans son emballage d'origine.
- 5) Remiser l'appareil verticalement, en un lieu sec.



Dépannage

De temps en temps, un problème peut se poser qui est mineur, et une intervention peut ne pas être nécessaire. Employez ce guide de dépannage pour une solution possible. Si l'unité continue à fonctionner incorrectement, demandez un dépôt autorisé de service ou le numéro de appel sans frais Danby pour l'aide à: **(1-800-263-2629)**

PROBLEME	CAUSE PROBABLE
1) Le appareil ne fonctionne pas.	<ul style="list-style-type: none"> • Contrôler le branchement du cordon d'alimentation. • Contrôler l'alimentation de la prise de courante (fusible grillé?) • Déterminer si le réceptacle à eau est plein (vider) • Vérifier que le réceptacle à eau est correctement installé dans l'appareil.
2) Capacité de déshumidification insuffisante.	<ul style="list-style-type: none"> • Filtre à air encrassé/obstrué • Température ambiante trop basse (inférieur à 5°C) • Médiocre circulation d'air/obstruction de la grille avant • Taux d'hygrométrie ambient très bas.
3) Niveau d'hygrometrie choisi pas atteint après une longue période de fonctionnement.	<ul style="list-style-type: none"> • Vérifier que toutes les portes et fenêtres sont fermées • Le volume de la pièce est trop important compte tenu de la capacité de l'appareil.



GARANTIE LIMITÉE SUR APPAREIL ÉLECTROMÉNAGER

Cet appareil de qualité est garanti exempt de tout vice de matière première et de fabrication, s'il est utilisé dans les conditions normales recommandées par le fabricant.

Cette garantie n'est offerte qu'à l'acheteur initial de l'appareil vendu par Danby Products Limited (Canada) ou Danby Products Inc. (E.- U. d'A) (ci-après "Danby") ou par l'un des ses distributeurs agréés et elle ne peut être transférée.

CONDITIONS

Les pièces en plastique sont garanties pour trente (30) jours seulement à partir de la date de l'achat, sans aucune prolongation prévue.

Première 12 mois Pendant les douze (12) mois, toutes pièces fonctionnelles de ce produit s'avèrent défectueuses, seront réparées ou remplacées, selon le choix du garant, sans frais à l'acheteur INITIAL.

Pour bénéficiaire du Service Le client sera responsable pour le transport et tous les frais d'expédition de tout appareil exigeant le service au dépôt de service autorisé le plus proche. S'adresser au détaillant qui a vendu l'appareil, ou à la station technique agréée de service la plus proche, où les réparations doivent être effectuées par un technicien qualifié. Si les réparations sont effectuées par quiconque autre que la station de service agréée ou à des fins commerciales, toutes les obligations de Danby en vertu de cette garantie seront annulées.

Cette garantie indique en aucun temps la responsabilité de Danby de l'avarie ou dommage de la vin ou autre contenu, soit par les vices de l'appareil, ou soit par l'utilisation convenable ou inexacte.

EXCLUSIONS

En vertu de la présente, il n'existe aucune autre garantie, condition ou représentation, qu'elle soit exprimée ou tacite, de façon manifeste ou intentionnelle, par Danby ou ses distributeurs agréés. De même, sont exclues toutes les autres garanties, conditions ou représentations, y compris les garanties, conditions ou représentations en vertu de toute loi régissant la vente de produits ou de toute autre législation ou règlement semblables.

En vertu de la présente, Danby ne peut être tenue responsable en cas de blessures corporelles ou des dégâts matériels, y compris à l'appareil, quelle qu'en soit les causes. Danby ne peut pas être tenue responsable des dommages indirects dus au fonctionnement défectueux de l'appareil. En achetant l'appareil, l'acheteur accepte de mettre à couvert et de dégager Danby de toute responsabilité en cas de réclamation pour toute blessure corporelle ou tout dégât matériel causé par cet appareil.

CONDITIONS GÉNÉRALES

La garantie ou assurance ci-dessus ne s'applique pas si les dégâts ou réparations sont dus aux cas suivants:

- 1) Panne de courant.
- 2) Dommages subis pendant le transport ou le déplacement de l'appareil.
- 3) Alimentation électrique incorrecte (tension faible, câblage défectueux, fusibles incorrects).
- 4) Accident, modification, emploi abusif ou incorrect de l'appareil tel qu'une circulation d'air inadéquate dans la pièce ou des conditions de fonctionnement anormales (température extrêmement élevée ou basse).
- 5) Utilisation dans un but commercial ou industriel (à savoir, si l'appareil n'est pas installé dans un domicile résidentiel).
- 6) Incendie, dommages causés par l'eau, vol, guerre, émeute, hostilités, cas de force majeure (ouragan, inondation, etc.).
- 7) Visites d'un technicien pour expliquer le fonctionnement de l'appareil au propriétaire.
- 8) Installation inappropriée (par exemple, encastrement d'un appareil autoportant, ou utilisation extérieure d'un appareil non conçu à cet effet).

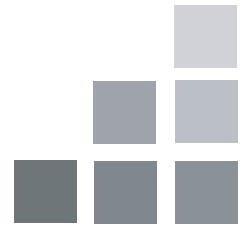
Une preuve d'achat doit être présentée pour toute demande de réparation sous garantie. Prière de garder le reçu. Pour faire honorer la garantie, présenter ce document à la station technique agréée ou s'adresser à:

Service sous-garantie
En Atelier

Danby Products Limited
PO Box 1778, Guelph, Ontario, Canada N1H 6Z9
Telephone: (519) 837-0920 FAX: (519) 837-0449

1-800-263-2629

Danby Products Inc.
PO Box 669, Findlay, Ohio, U.S.A. 45840
Telephone: (419) 425-8627 FAX: (419) 425-8629



PORTABLE DEHUMIDIFIER

The model number can be found on the serial plate located on the back panel of the unit.

All repair parts are available for purchase or special order when you visit your nearest service depot. To request service and/or the location of the service depot nearest you, call the TOLL FREE NUMBER.

When requesting service or ordering parts, always provide the following information:

- **Product Type**
- **Model Number**
- **Part Number**
- **Part Description**

DÉSHUMIDIFICATEUR PORTATIF

Le numéro de modèle se trouve sur la plaque d'information sur le panneau arrière de l'appareil.

Toutes les pièces de rechange ou commandes spéciales sont disponibles à votre centre de service régional autorisé. Pour obtenir le service et/ou la localité de votre centre de service régional, signalez le NUMÉRO D'APPEL SANS FRAIS.

Ayez les renseignements suivants à la portée de la main lors de la commande de pièce ou service:

- **Type de produit**
- **Numéro de modèle**
- **Numéro de pièce**
- **Description de la pièce**



Model • Modèle
DDR2611 / DDR4011

Danby Products Limited, Ontario, Canada N1H 6Z9
Danby Products Inc., Findlay, Ohio, USA 45840