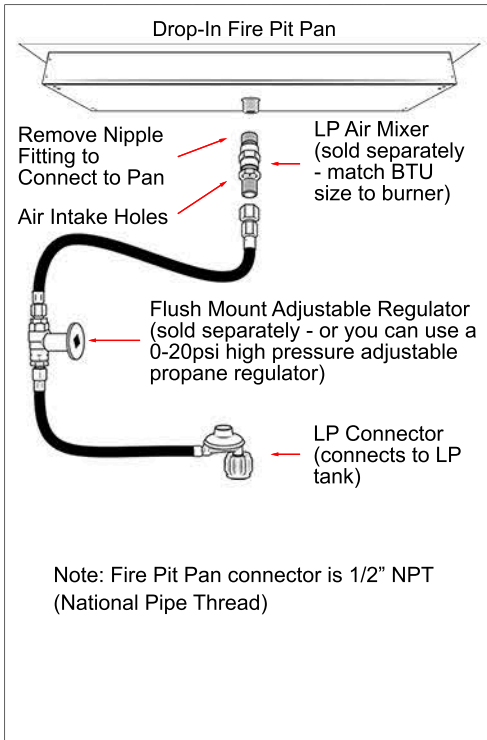


INSTALLATION

Celestial
FIRE GLASS

PROPANE DROP-IN BURNER PAN



INSTALLATION

Teflon Tape - Use teflon tape to seal all threaded pipe joints.

LP Air Mixer Required - Propane requires additional air mixed with the gas to burn cleanly. Install air mixer with holes facing away from burner. The propane air mixer should be equal or greater in BTU rating than the burner. LP Air Mixer is not included with the pan and is sold separately.

Proper Ventilation - Propane gas is heavier than air. Be sure to have ventilation holes in the lowest portion of your fire feature to allow excess gas to drain.

Gas Pressure - Between 7" WC and 11" WC (0.25 psi to 0.4 psi). We recommend a 0-20 psi high pressure regulator when connecting to a propane tank.

Clearances - Maintain a minimum of 36" clearance on all sides and 8' above your burner. Burners which are greater than 150k BTUs should not be installed under any structure.

Fire Glass Depth - Fire glass should cover the top of the burner at a depth of 1" to 2".

TROUBLESHOOTING

Low Flame Height - Gas pressure is too low, switch out the propane regulator with a high pressure 0-20 PSI adjustable regulator.

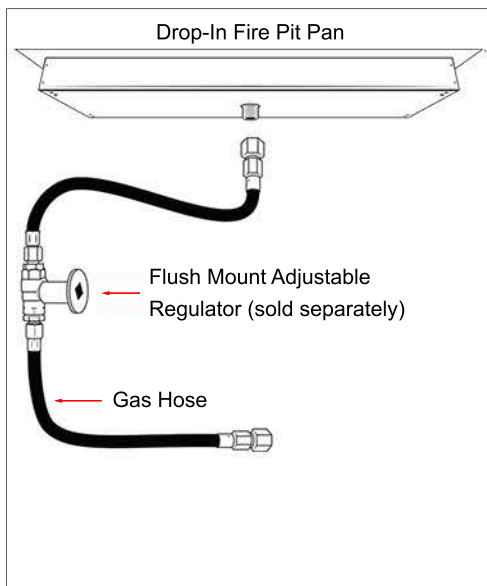
Fire Glass Turning Black - Propane isn't burning cleanly resulting in soot deposits. Add a propane air mixer then rinse the fire glass with a 50/50 water vinegar mixture.

Flame Not Evenly Distributed - Check for even distribution and depth of fire glass. Reduce fire glass depth to 1" over the burner.

CAUTION: Propane is heavier than air and will accumulate in unvented enclosures causing a combustion hazard. A minimum of 20 square inches of ventilation is required at the lowest point of an enclosed fire feature to ensure proper drainage of unburned propane gas.

CAUTION: Installing gas appliances can be dangerous. Installation must be made by a professional gas installer to ensure the safe operation of your burner. We advise working with a certified **NFI Gas Specialist**. Search for your local specialist at: <https://www.nficertified.org/public/>

NATURAL GAS DROP-IN BURNER PAN



INSTALLATION

Teflon Tape - Use teflon tape to seal all threaded pipe joints.

Gas Pressure - Between 3.5" WC and 7" WC (0.125 psi to 0.25 psi). A licensed gas installer will size and install a regulator to deliver the recommended gas pressure to your burner. If the pressure is too high, the valve and line will create a whistling noise. If it's too low the flame height will be too small and inconsistent.

Clearances - Maintain a minimum of 36" clearance on all sides and 8' above your burner. Burners which are greater than 150k BTUs should not be installed under any structure.

Fire Glass Depth - Fire glass should cover the top of the burner at a depth of 1" to 2".

TROUBLESHOOTING

Low Flame Height - Low gas pressure, have a gas specialist check for proper gas pressure.

Whistling Noise - This is usually caused by high gas pressure. Installing a regulator to reduce the pressure to the recommended pressure will fix this. Sizing the regulator requires complex calculations based on source line pressure, line size, length and bends in the gas line. Consult with a gas specialist to properly size the regulator for your environment.

CAUTION: Installing gas appliances can be dangerous. Installation must be made by a professional gas installer to ensure the safe operation of your burner. We advise working with a certified **NFI Gas Specialist**. Search for your local specialist at: <https://www.nficertified.org/public/>



We're on Instagram! Want to see your new firepit on our Instagram page and website? Tag **@CelestialFireGlass** in your post and use the hashtag **#CelestialFireGlass** to see your fire fixture featured on one of our pages.

RECOMMENDED ACCESSORIES

Glass Flame Guard - For cleaner burning of gas and better visual presentation of the flame.

Stainless Steel Fire Pit Cover - Keeps leaves, bird droppings and other debris out of the fire pit.