

SLX1SC

H1 Hydraulic Door Stopper

Easy Installation, Noiseless, Holds Door Firmly in Position

serenelife™

USER GUIDE

Features:

- Ensures the Door Open and Closes Smoothly
- Prevent Noise from Slamming Shut
- Made from High-Quality Carbon Steel & ABS
- Strong and Durable
- Easy to Install and Mount
- Suitable for a Wide Range of Door Types
- Smooth and Secure Open and Close with No Slamming
- Ideal for Quiet Environments Such as Libraries, Offices, and Residential Areas

What's in the Box:

- (1) Set of Hydraulic Door Stopper

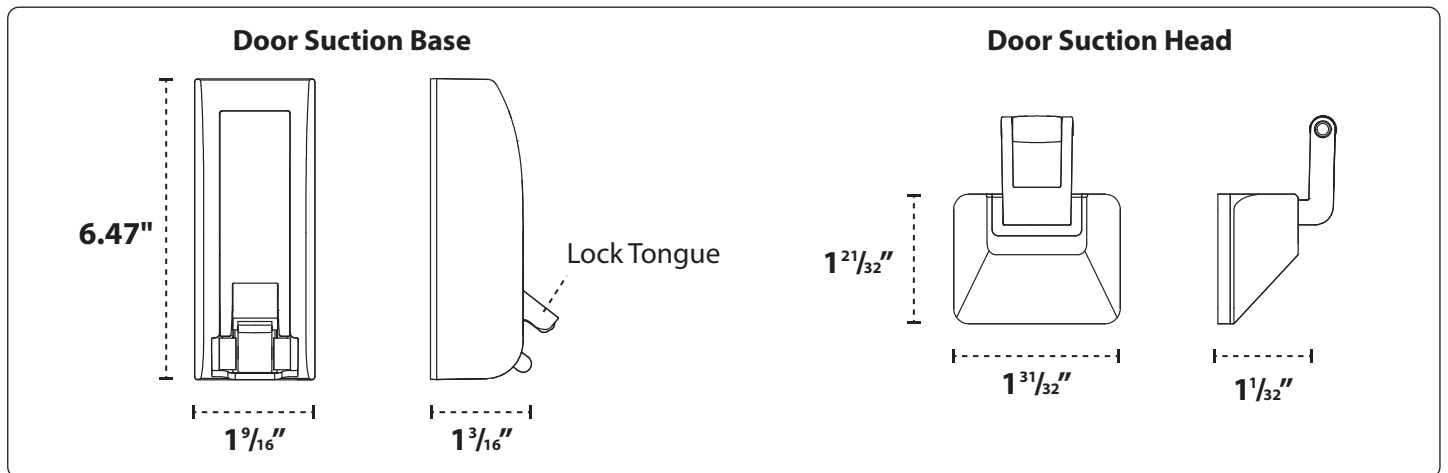
Technical Specs:

- Construction Material: Carbon Steel Suction Head, ABS Housing
- Total Item Length: 6.47" -in.
- Weight Capacity: 180 lbs.
- Product Dimension (L x W x H): 6.47" x 2.04" x 1.37" -in.

Detachment positioning force	60-80N
Trigger force	15-20N
Buffering Stroke	≥ 5 x 6"
Applicable environment	-5°C to 40°C (23°F to 104°F)
Total Stroke	≥ 15 x 16"
Lifespan	100,000 cycles
Applicable Range	Interior doors



Product Dimension



California Prop 65 Warning

⚠️ WARNING:

This product can expose you to chemicals, which is known to the state of California to cause cancer birth defects and other reproductive harm. Do not ingest.

For more info go to: www.P65warnings.ca.gov

Questions? Comments?

We are here to help!

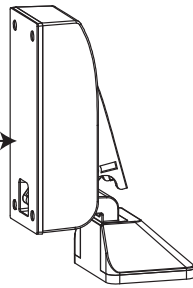
Phone: (1) 718-535-1800

Email: support@pyleusa.com

Installation Steps

1

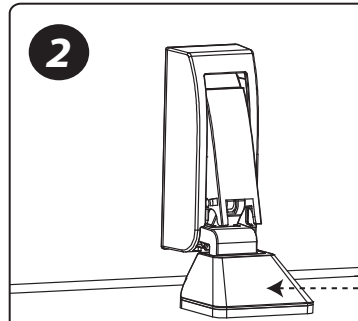
Double-sided tape



First, determine the installation position. Clean installation position with a wet cloth then make it dry. Peel off the double-sided tape on the bottom surface of the door suction base.

2

Door suction head



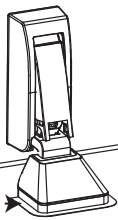
Place the door suction on the floor as shown.

Note: The door suction head should be tightly attached to the bottom surface.

3

Stick the 3M tape template on the floor along the edge of the door suction base.

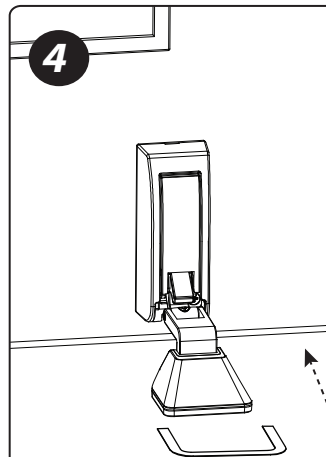
Note: After the product is pasted, press it firmly with your hand for 30 seconds. Allow the double-sided tape to remain static for more than 12 hours to achieve the best strength. The fixed position of the tape should be kept dry.



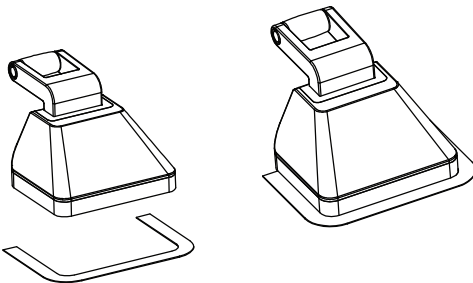
3M tape template

4

Swing the door towards the closing direction and take off the door suction head horizontally along the floor.



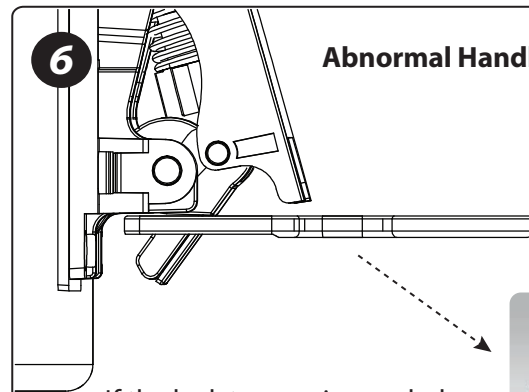
5



Peel off the tape, align the door suction head base with the position of 3M template and attach the door suction head to the floor. Peel off the 3M template tape after finish.

6

Abnormal Handling

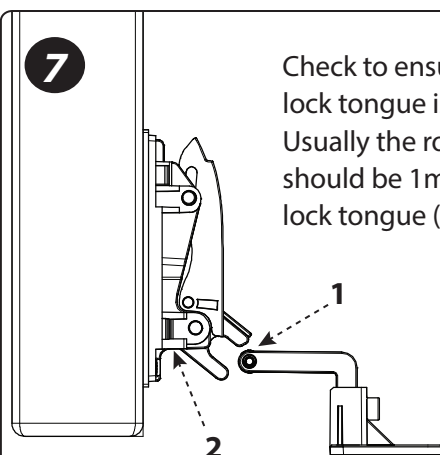


If the lock tongue is retracted as shown, use the tool to pull it out.



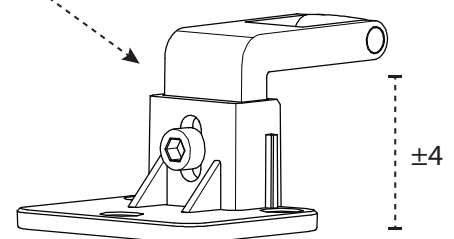
7

Check to ensure the roller and lock tongue is well aligned. Usually the roller (position 1) of should be 1mm lower than the lock tongue (position 2).



8

Door suction head



If readjustment is needed, loosen the fixing screw, the floor suction head can be adjusted by 4mm