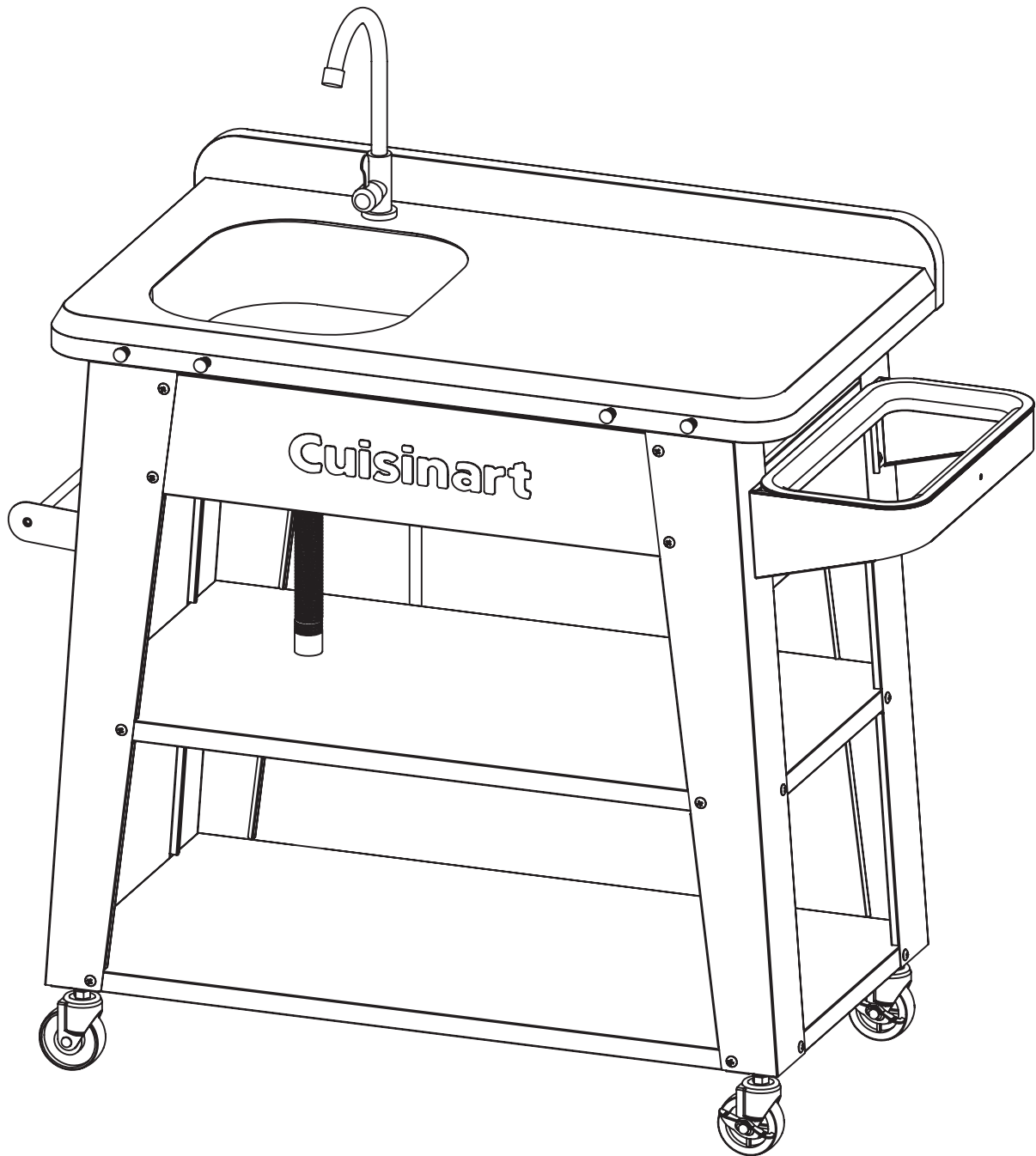


Cuisinart®

Outdoor Grilling Products

DELUXE OUTDOOR PREP TABLE

Model NO: CGWM-090



Customer Service Hotline

1-866-994-6390

DO NOT RETURN YOUR TABLE TO THE STORE

Before visiting your local retailer, call our customer service department at 1-866-994-6390 from 9:00 am to 5:00 pm Eastern time, Monday through Friday.

SAFETY INFORMATION

WARNINGS AND USAGE

IMPORTANT: ALL INSTRUCTIONS AND SAFEGUARDS IN THIS SECTION MUST BE FOLLOWED TO PREVENT DAMAGE AND/OR INJURY.



- Sink to be used for rinsing/washing of hands and non-food items ONLY.
- Not for permanent installation.
- For outdoor use only
- Designed only for connection to a garden hose as the water supply.
- Water supply from garden hose is not intended for human consumption.
- Waste water should only be routed to a bucket and disposed of according to local code.
- Keep use of water away from electrical connections and outlets.
- Use caution with all electric appliances, tools, extension cords and lights on and around table.
- When not in use, disconnect water supply then drain water from faucet by partially opening the faucet knob.
- Do not use in freezing temperatures.
- Disconnect, drain all water lines and cover if leaving in freezing temperatures (recommended cover, model CGWM-095).
- Surface can become hot in direct sun or high temperatures.
- Maximum top weight load of 50 LBS
- Maximum shelf weight load of 30 LBS
- Use only on level surfaces.
- Before use ensure wheels are height adjusted so that the table does not rock when in use.
- Lock wheels when in use.
- Before use insure drain and faucet function properly and are free of obstructions.
- Do not pour boiling water in the drain and avoid food waste entering the drain.
- Do not allow children to climb the product.

CALIFORNIA PROPOSITION 65 WARNING:

- **WARNING: This product can expose you to lead, which is known to the State of California to cause cancer and birth defects or other reproductive harm. For more information go to**

CARE AND MAINTENANCE

CLEANING

Painted and Plastic surfaces

Wash with mild detergent or non-abrasive cleaner and warm water.

Stainless steel surfaces

Wash with mild detergent and warm soapy water or use a stainless steel cleaner. Wipe dry with a soft cloth after each use. Wash only in the direction of the stainless brushed finish to avoid damage.

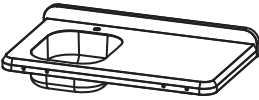


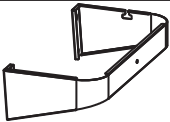
















Stainless steel can rust under certain conditions. This can be caused by acidic marinades, chlorine, saltwater, exposure to coastal climates, other natural elements, or improper cleaning tools such as wire or steel wool.

Faucet



If faucet ever becomes clogged, turn off the water supply, unscrew the faucet tip, clean the screen and reinstall.

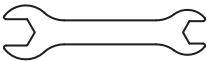
WHAT'S IN THE BOX

COMPONENTS

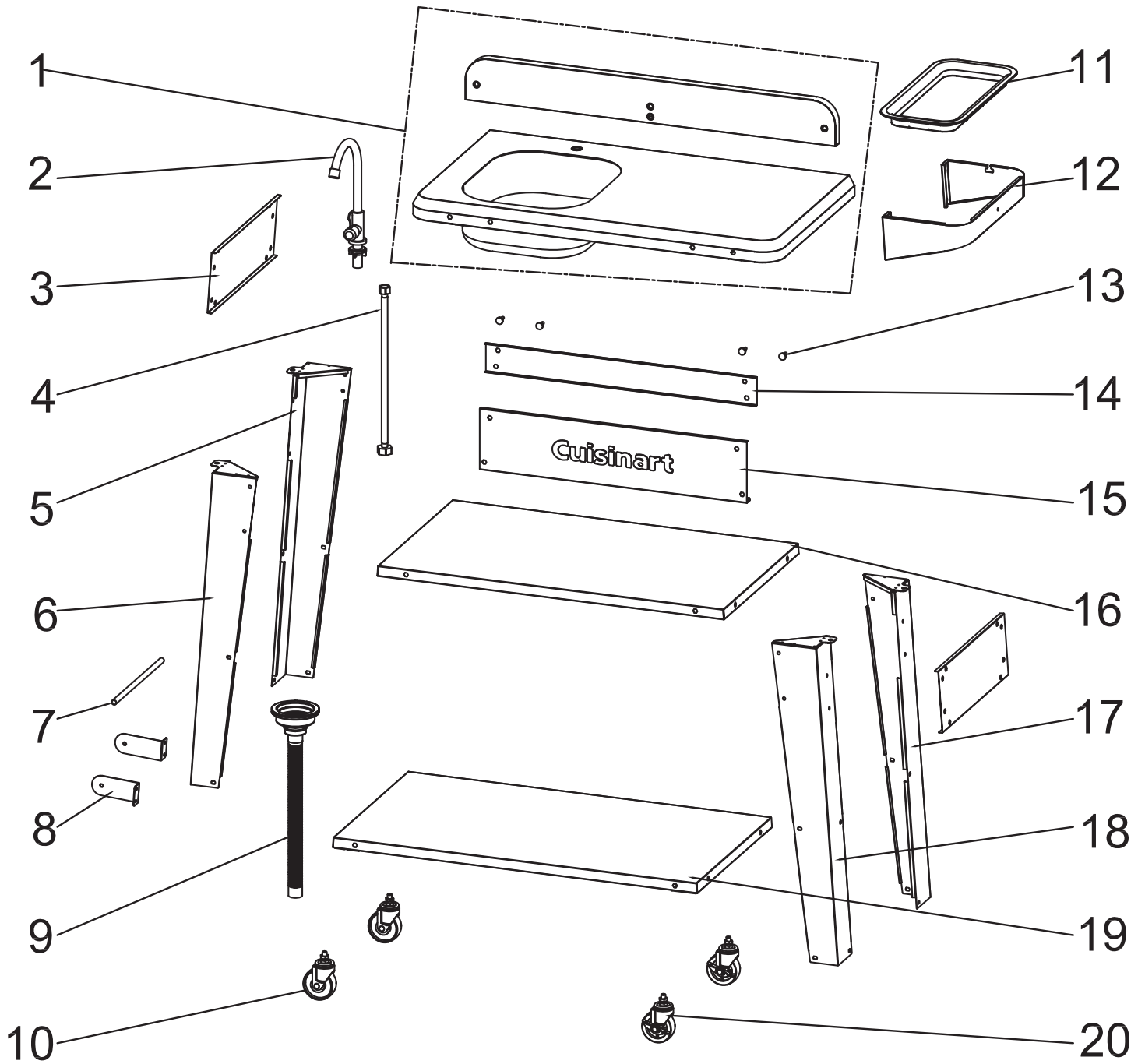
PART		DESCRIPTION	QTY	PART		DESCRIPTION	QTY
1		Counter Top Assembly	(x1)	11		Garbage Bag Ring	(x1)
2		Faucet Assembly	(x1)	12		Garbage Bag Support	(x1)
3		Side Panel	(x2)	13		Utensil Hanger	(x4)
4		Water Supply Hose	(x1)	14		Rear Support	(x1)
5		Left Back Leg (LB)	(x1)	15		Name Plate	(x1)
6		Left Front Leg (LF)	(x1)	16		Upper Shelf	(x1)
7		Paper Towel Bar	(x1)	17		Right Back Leg (RB)	(x1)
8		Towel Bar End	(x2)	18		Right Front Leg (RF)	(x1)
9		Drain Assembly	(x1)	19		Lower Shelf	(x1)
10		Non-Locking Caster	(x2)	20		Locking Caster	(x2)

HARDWARE AND TOOLS

AA		Screw	(x40)
BB		Lock Washer	(x40)

CC		Wrench	(x1)
----	--	--------	------

EXPLODED VIEW

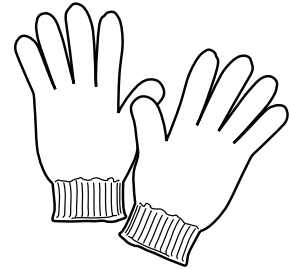
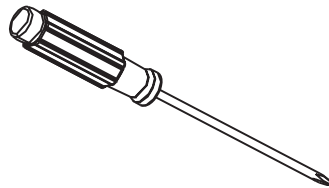
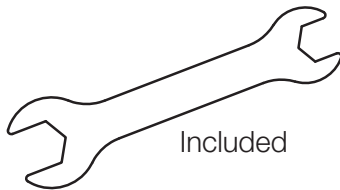


ASSEMBLY PREPARATION

Please be careful when handling components. Always wear work gloves during assembly and set up. Read and follow all safety statements, warnings, assembly instructions and use and care instructions before attempting to assemble and use. Before beginning assembly of product, make sure all parts are present. Compare parts with package contents list and hardware contents list. If any part is missing or damaged, DO NOT attempt to assemble the product.

Estimated Assembly Time: 1 hour

Tools required for assembly: (included) Wrench, (not included) Phillips Head Screwdriver (magnetic tip will be helpful), Gloves

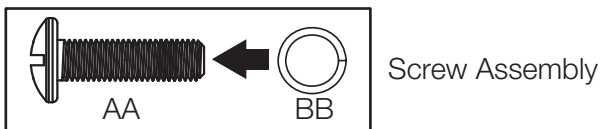


ASSEMBLY INSTRUCTIONS

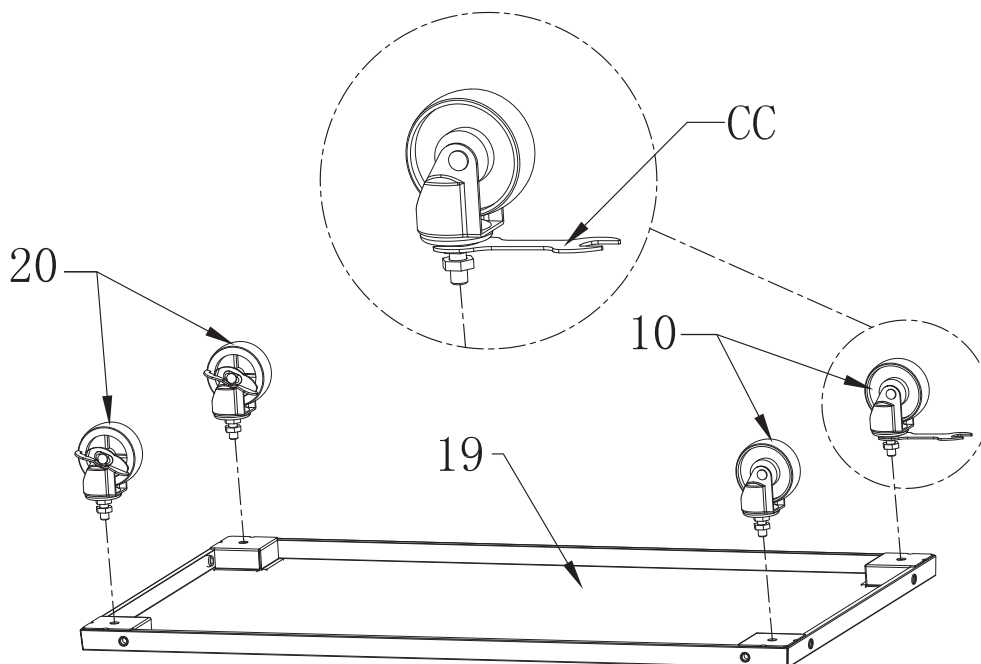
Assembly Tip: To avoid scratching prep table and to protect floor/patio surfaces, reuse cardboard packaging and lay parts on top while assembling.

STEP 1

To create "screw assemblies" for future steps, install all 40 of the lock washers (BB) onto all 40 screws (AA).



Install locking casters (20) and non locking casters (10) on opposing ends as shown. Use the double-ended open wrench (CC) to attach the 4 casters (20, 10) onto the bottom of the lower shelf (16).

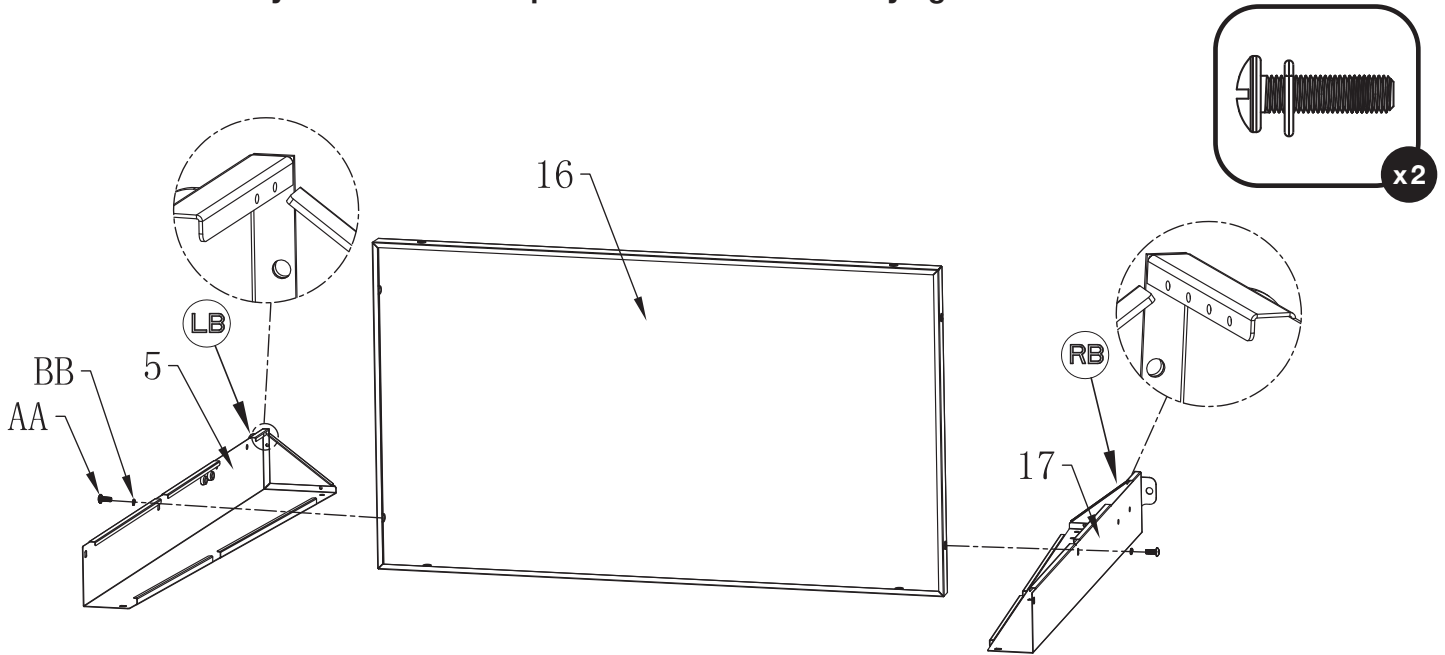


ASSEMBLY INSTRUCTIONS

STEP 2

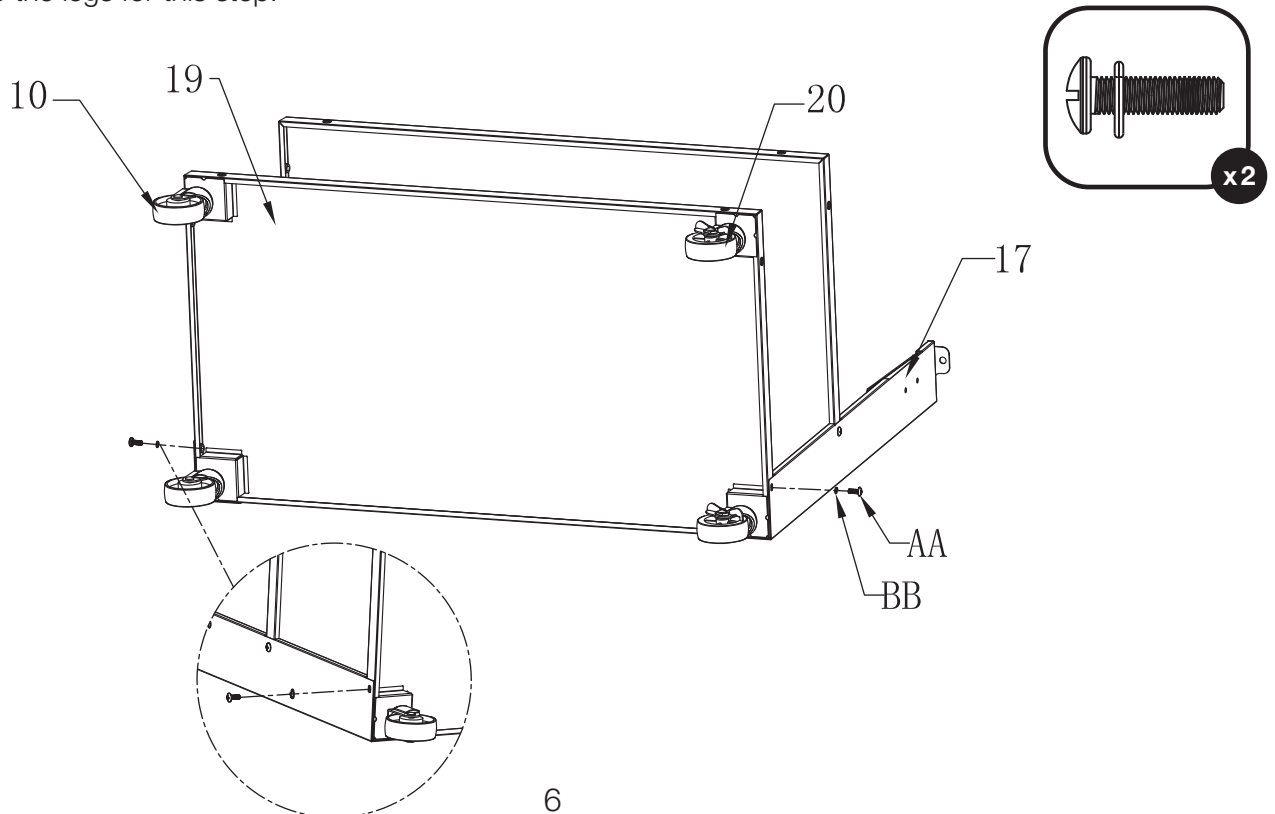
Use screw assemblies to attach the middle portion of left back leg (5) (LB) and the right back leg (17) (RB) to the upper shelf (16) as shown below.

- **Note: it is important to not fully tighten the screws during initial assembly of the parts. Wait until the end of step 13 to complete assembly by fully tightening all of the screws.**
- **Note: Legs are punched with markings to indicate position for assembly, (LB, RB, LF, RF).**
- **Note: Assembly for the next 4 steps is done with the unit laying on its' back.**



STEP 3

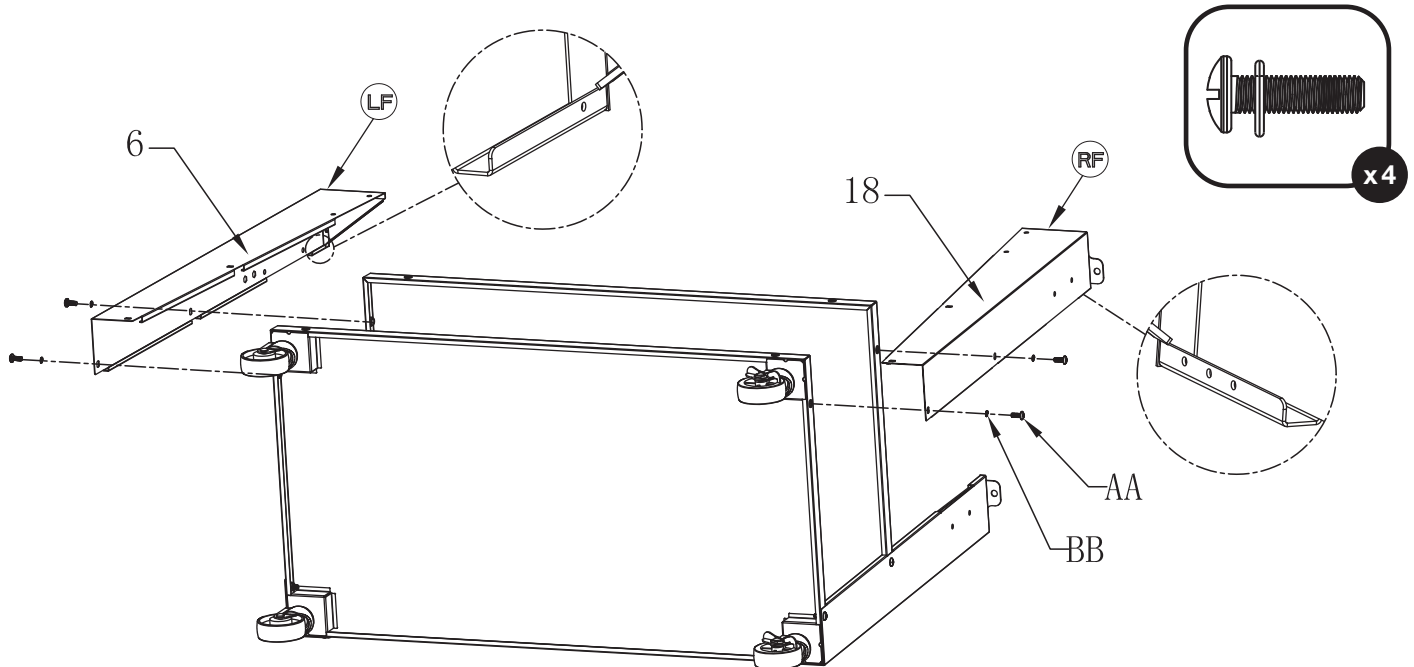
Use screw assemblies to attach the lower shelf (19) assembly to the lower portion of the left back leg (5) (LB) and the right back leg (17) (RB). Note that the locking casters (20) are to the right and only side screws are installed into the legs for this step.



ASSEMBLY INSTRUCTIONS

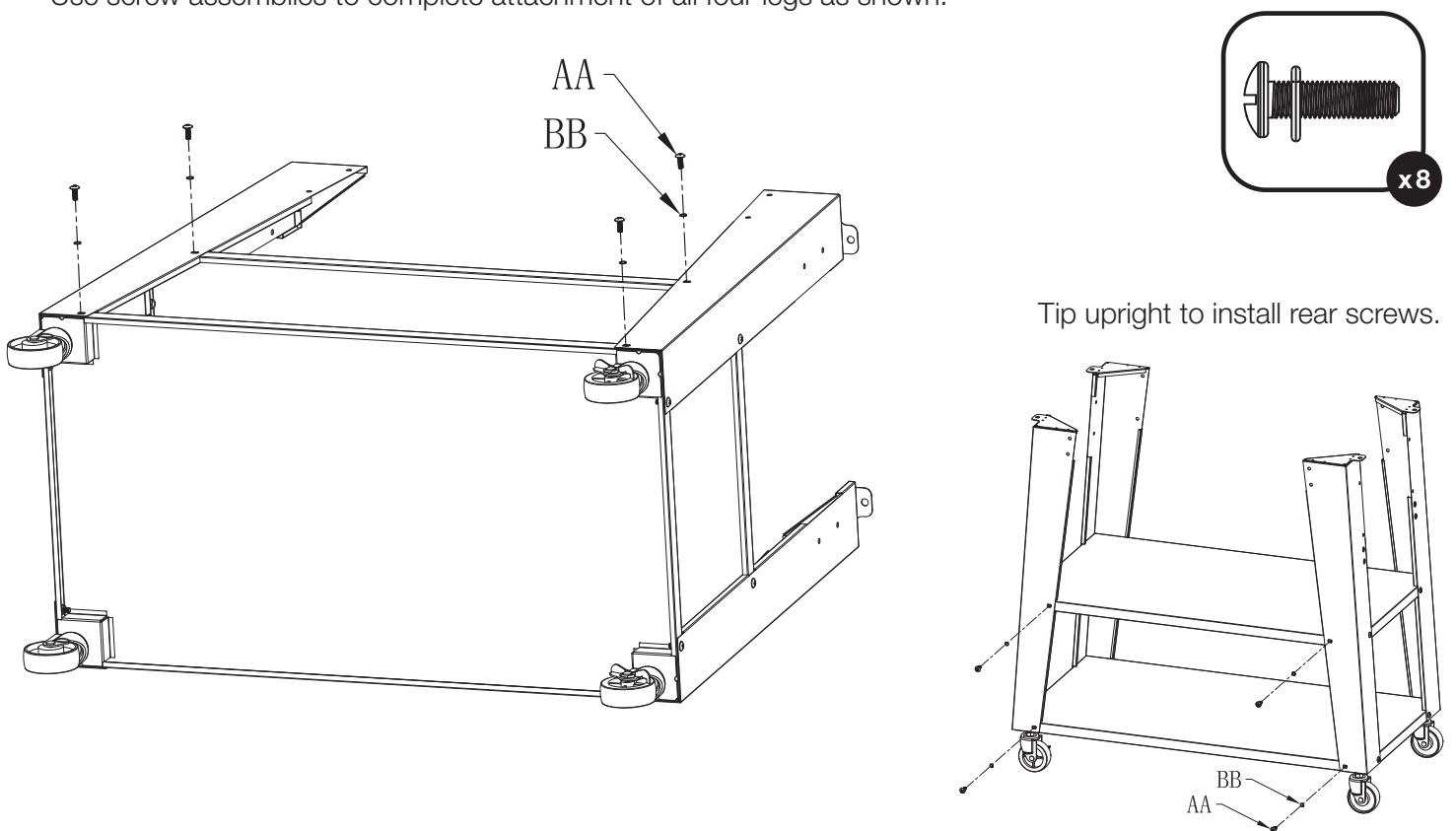
STEP 4

Use screw assemblies to attach the left front leg (6) (LF) and the right front leg (18) (RF) to the lower shelf (19) and the upper shelf (16). Note that only side screws are installed into the legs for this step.



STEP 5

Use screw assemblies to complete attachment of all four legs as shown.

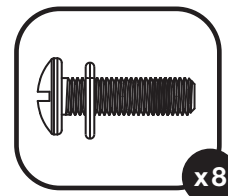
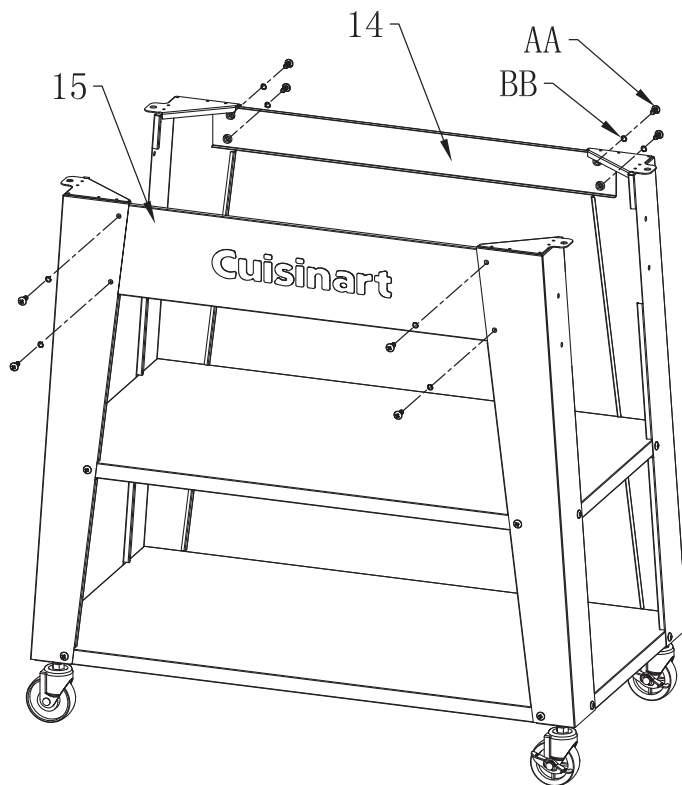


Tip upright to install rear screws.

ASSEMBLY INSTRUCTIONS

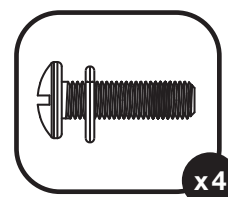
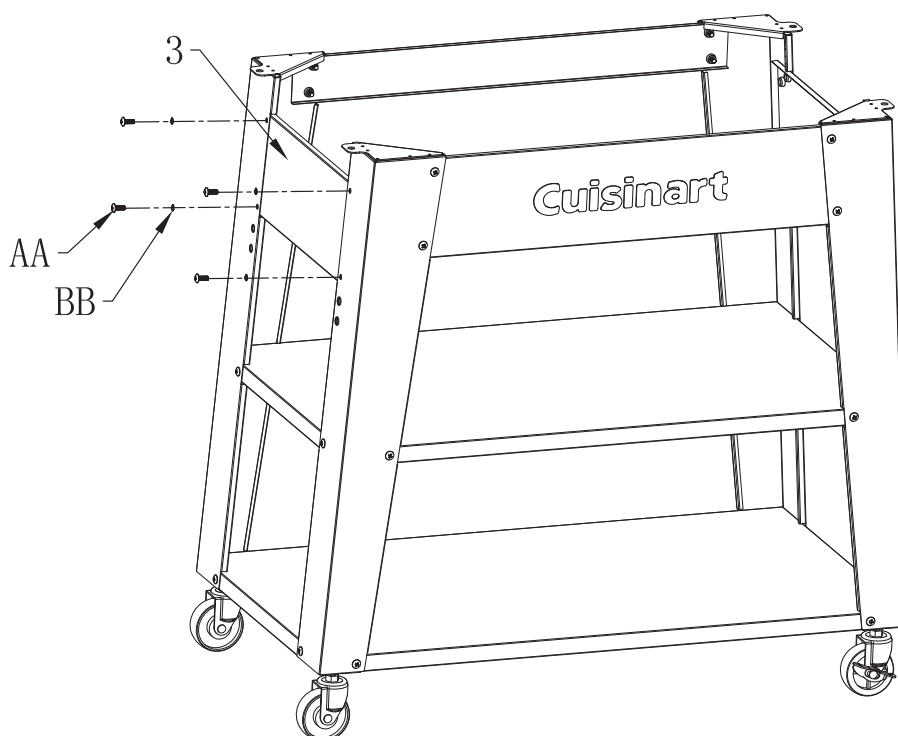
STEP 6

Use screw assemblies to attach name plate (15) to the left front leg (6) (LF) and the right front leg (18) (RF). Next use screw assemblies to attach the rear support to the left back leg (5) (LB) and the right back leg (17) (RB).



STEP 7

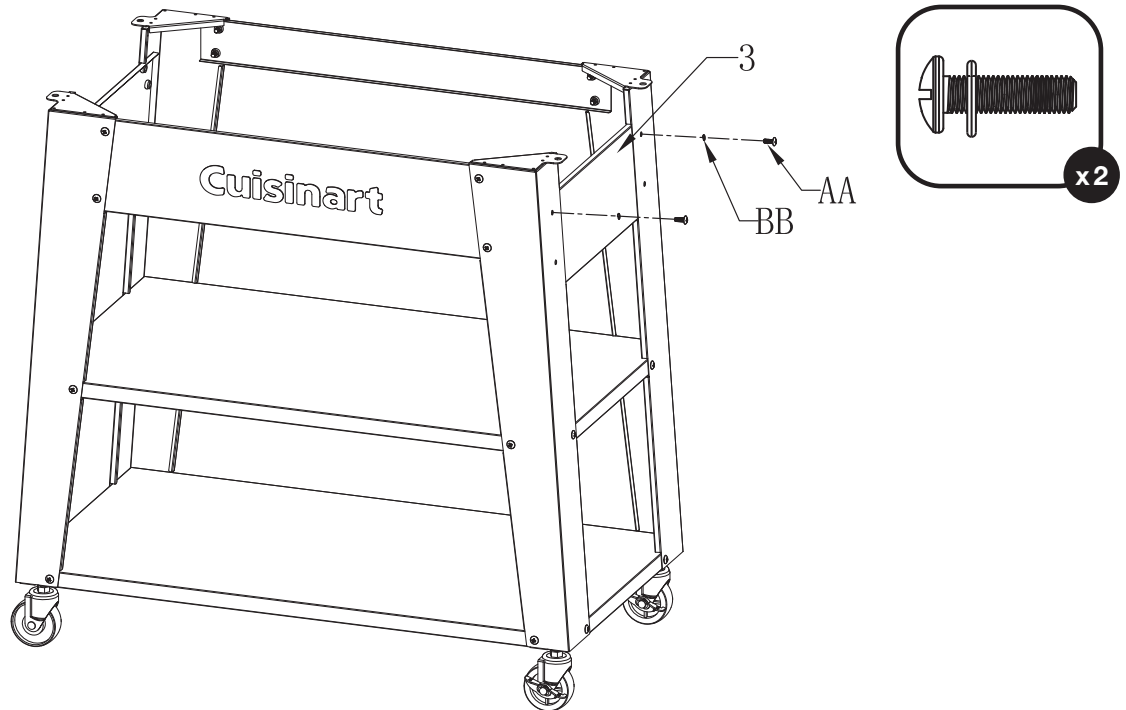
Use screw assemblies to attach the side panel (3) to the left leg assembly using four screws.



ASSEMBLY INSTRUCTIONS

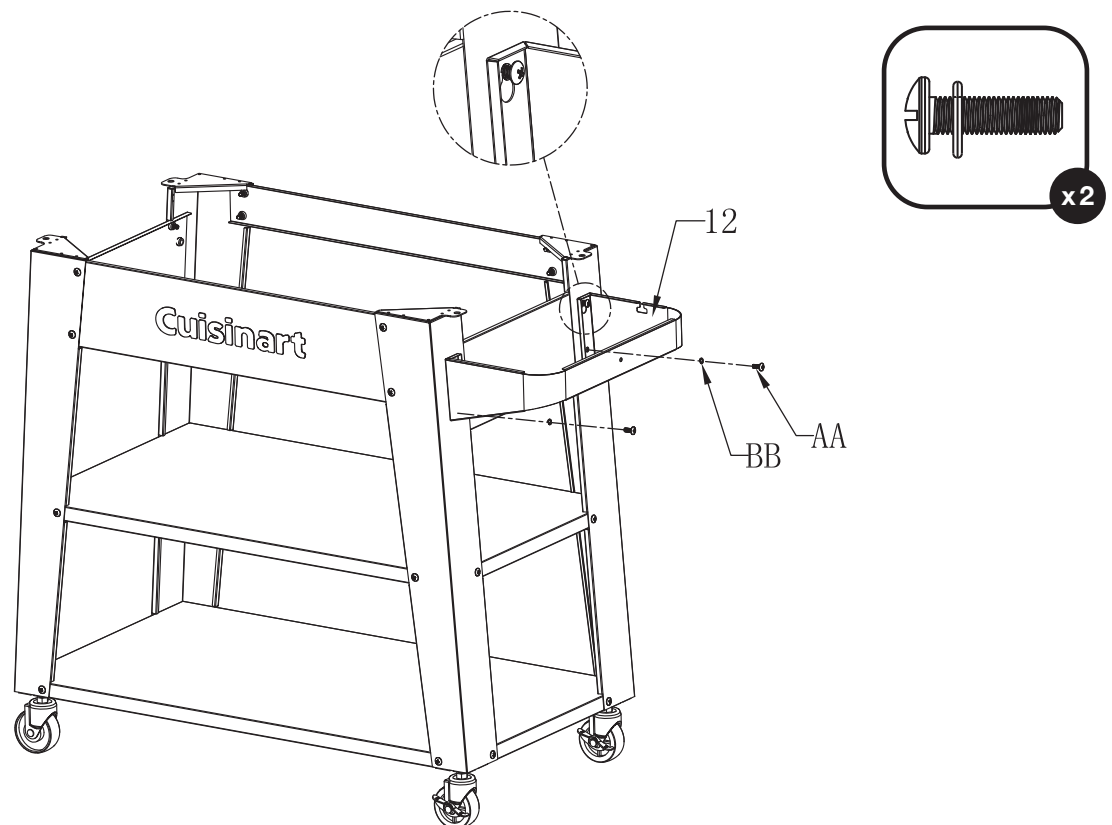
STEP 8

Use screw assemblies to attach the side panel (3) to the right leg assembly using just the top two screws. Install these screws only half way in to allow for parts to be assembled in the next step.



STEP 9

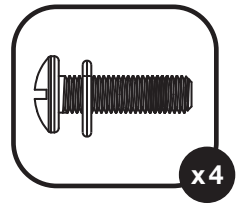
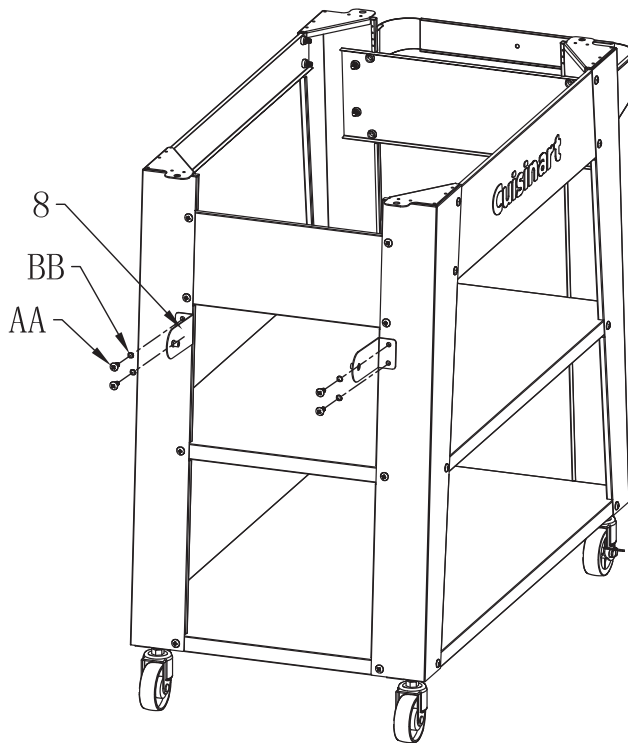
Use screw assemblies to attach the garbage bag support (12) to the right leg assembly using the two previously installed screws and the slotted upper holes. Then install two screws in the lower holes to secure in place.



ASSEMBLY INSTRUCTIONS

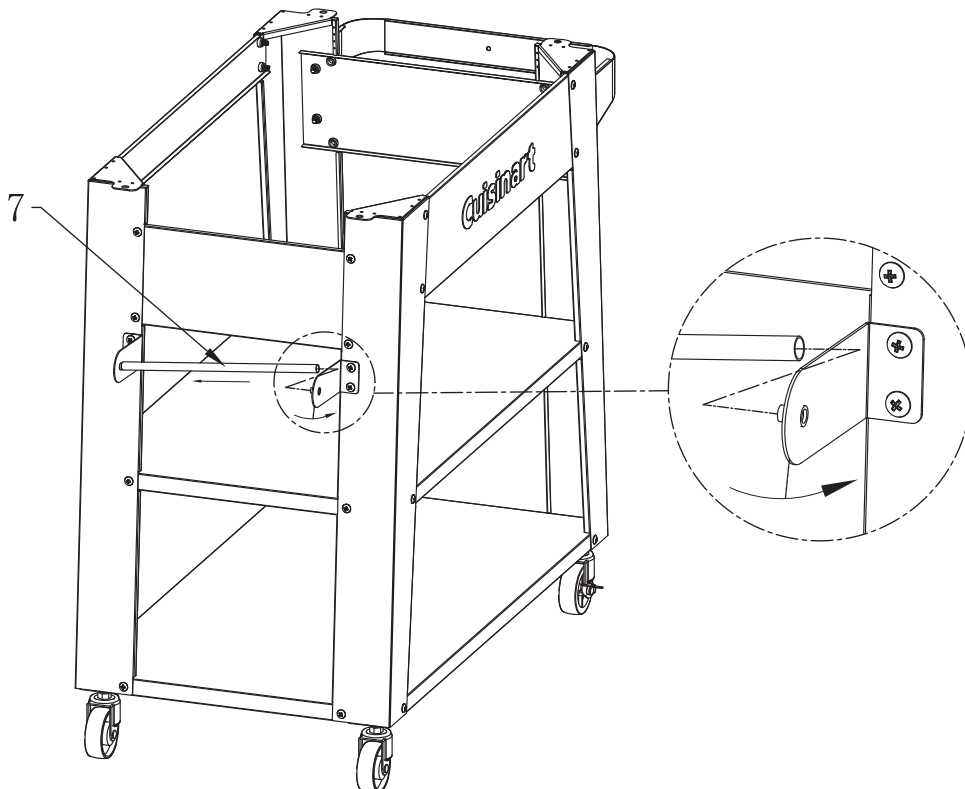
STEP 10

Use screw assemblies to attach both of the towel bar ends (8) to the left leg assembly.



STEP 11

Install the paper towel bar (7) between the two towel bar ends (8) by flexing them slightly outward inserting bar and releasing.

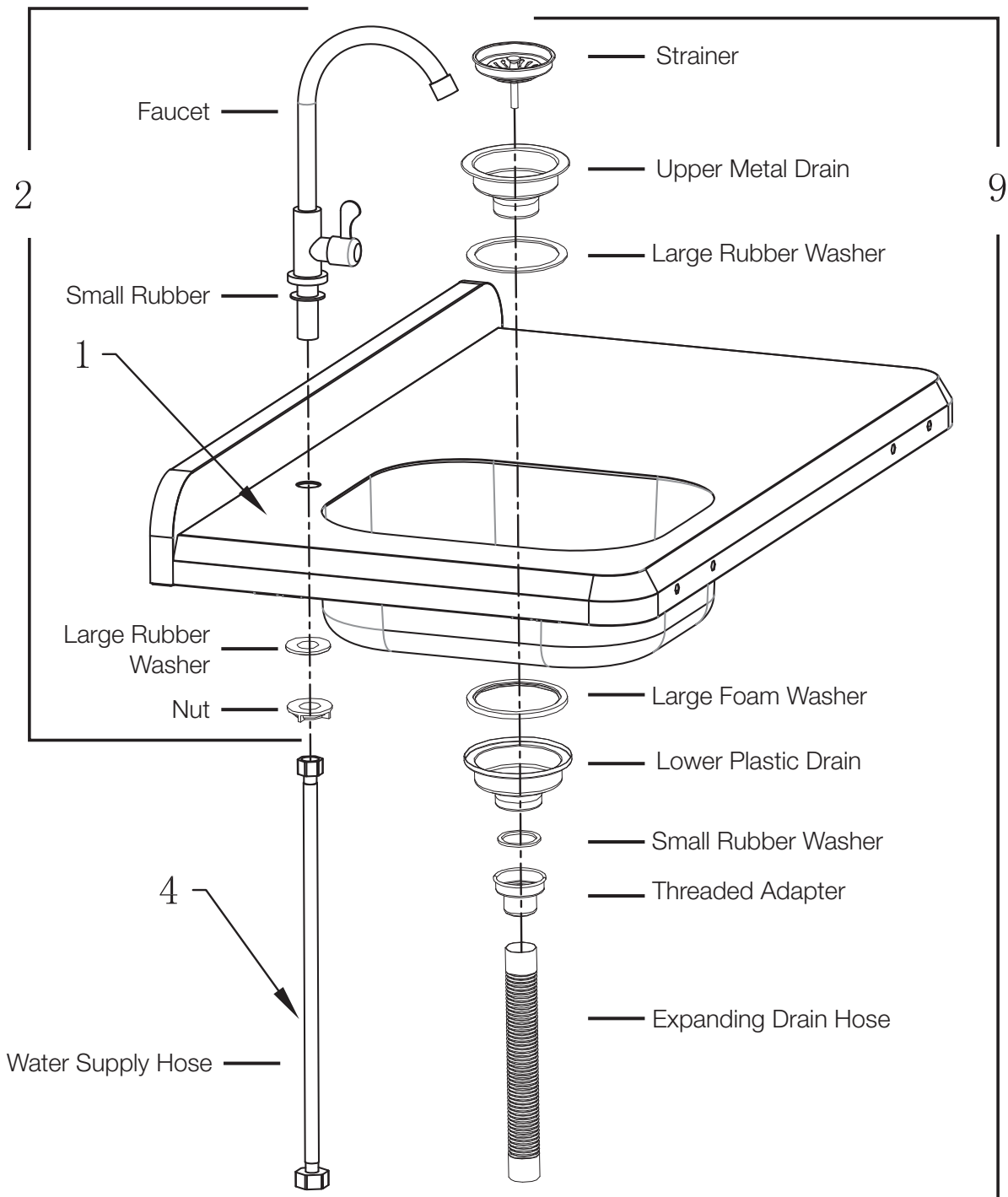


ASSEMBLY INSTRUCTIONS

STEP 12

Install the faucet assembly (2) into the counter top assembly (1) by inserting the faucet and small rubber washer in from the top and then securing from the bottom with the large rubber washer and nut. Complete by screwing the supply hose (4) onto the bottom of the faucet and tightening. Hand tightening is all that is required for these components.

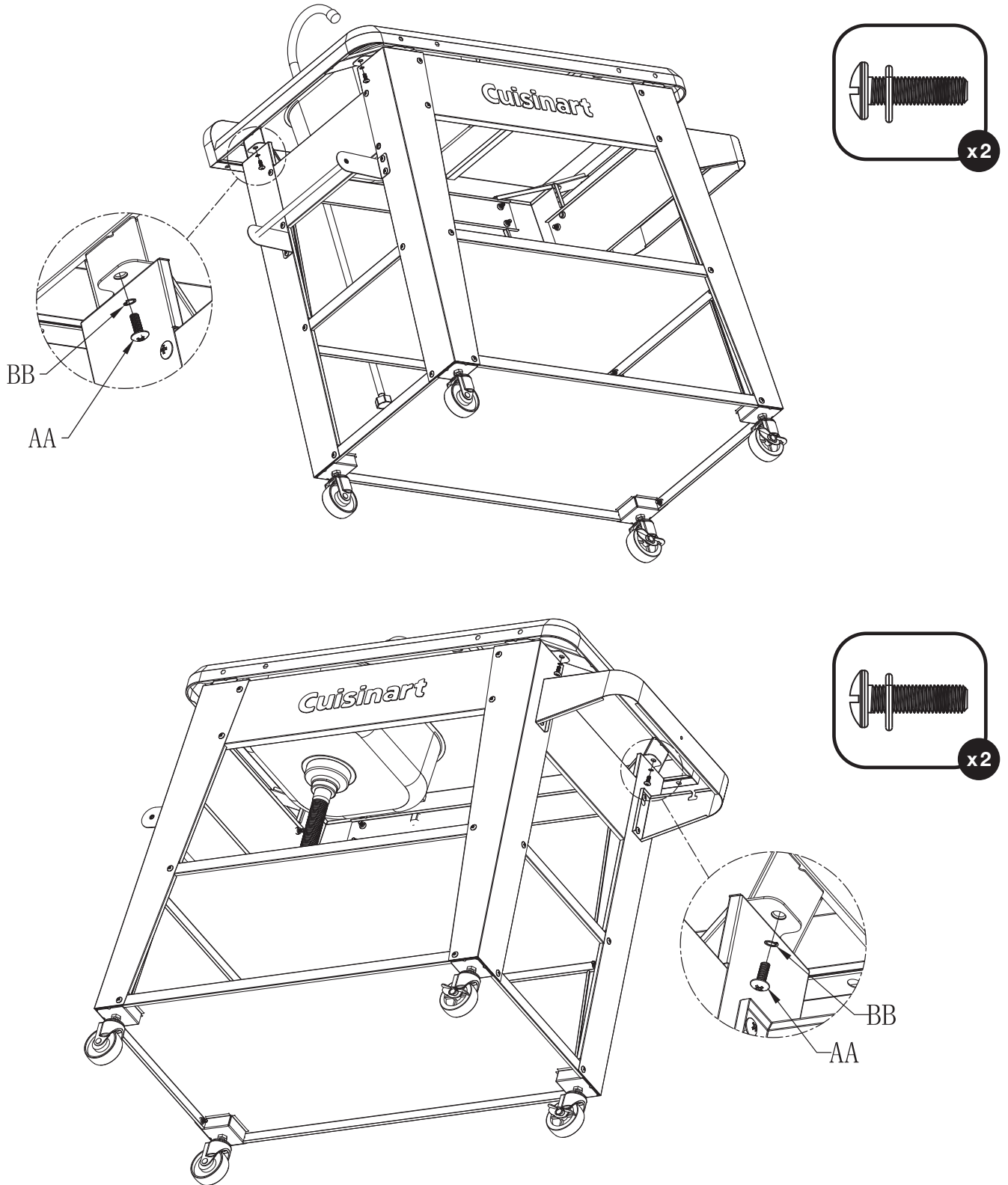
Install the drain assembly (9) into the sink portion of the counter top assembly (1) by inserting the upper metal drain and large rubber washer from the top. Next, from the bottom, install the large foam washer and lower plastic drain followed by the small rubber washer and threading on the threaded adaptor. Complete by pressing the drain hose on until it bottoms out on the threaded adaptor. Hand tightening is all that is required for these components.



ASSEMBLY INSTRUCTIONS

STEP 13

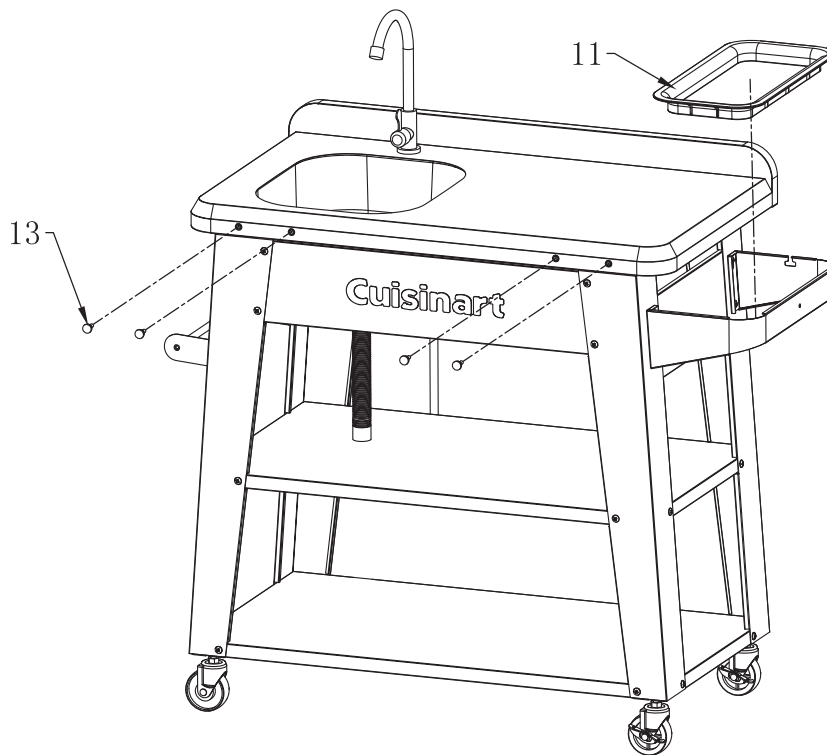
Use screw assemblies to attach the counter top assembly (1) to the prep station base. **Now tighten all screw assemblies that have been installed throughout the unit.**



ASSEMBLY INSTRUCTIONS

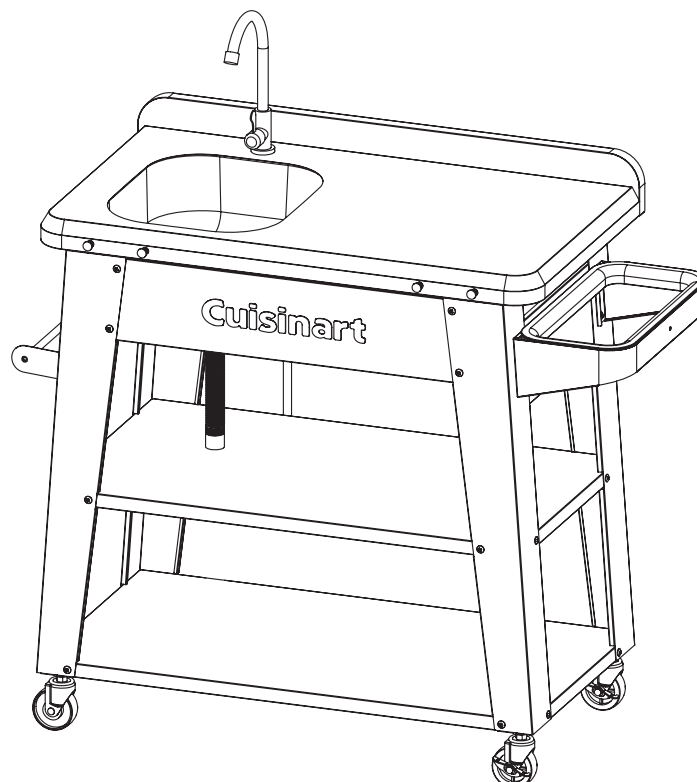
STEP 14

Install the utensil hangers by screwing them into the front edge of the counter top assembly (1). Place the garbage bag ring (11) into the garbage bag support (12).



STEP 15

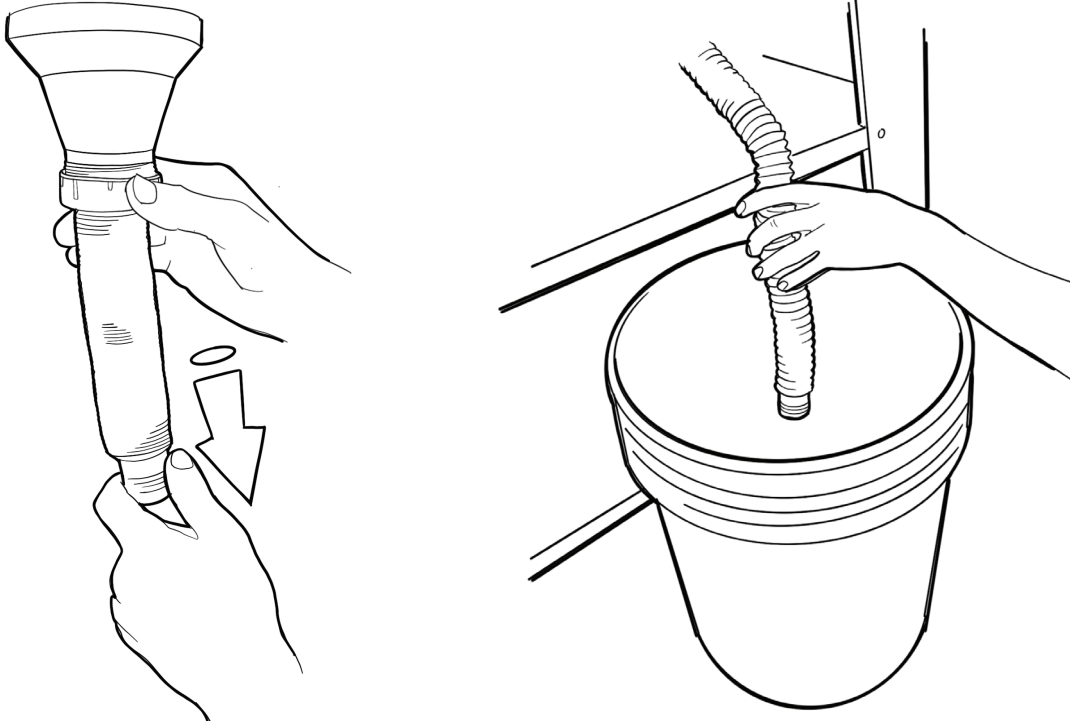
Once the completed prep table is in its' desired location use the threaded posts of the casters (10, 20) to level the table and lock nuts with the double-ended open wrench (CC) to hold the adjusted position.



CONNECTION INSTRUCTIONS

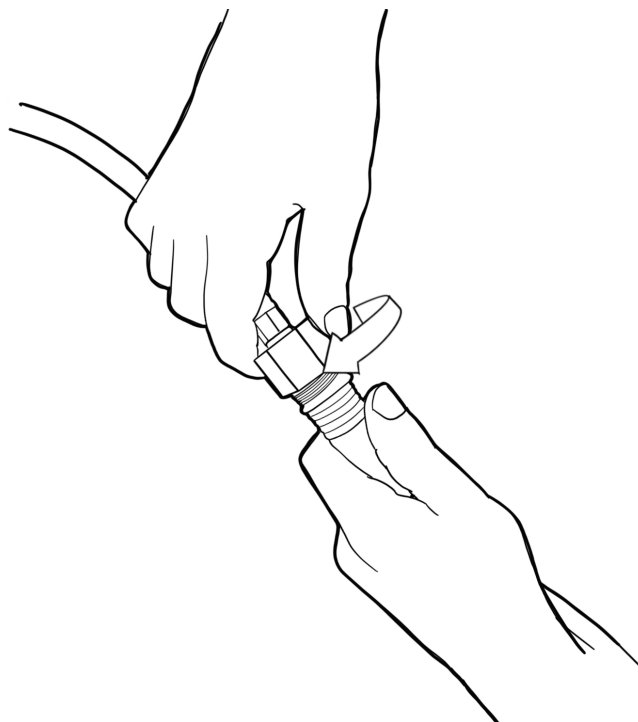
STEP 16

Increase the length of the expanding drain hose by pulling the lower open end of the tube while holding firm the top end that is pressed onto the threaded adaptor. Next position a bucket (not included) close by and place the end of the expanded hose into the bucket. This bucket will serve to catch the waste water.



STEP 17

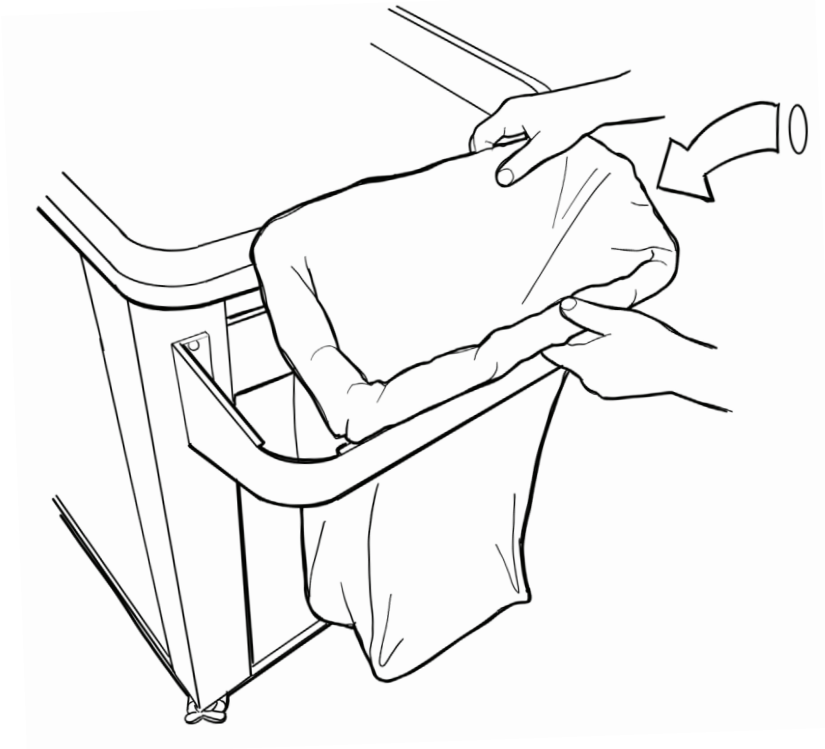
Screw the end of the water supply hose onto a garden hose that is attached to a water supply source. Make sure the faucet is off and turn on the garden hose and check for leaks. If there are leaks turn off the garden hose, tighten the leaking fittings and repeat this step until the seals are tight and not leaking.



GARBAGE BAG INSTRUCTIONS

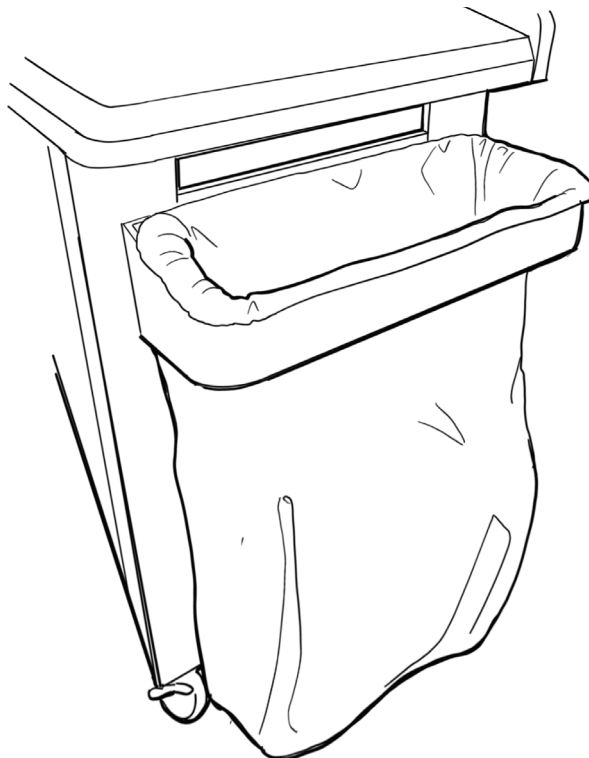
STEP 18

Install a garbage bag by inserting the bag through the garbage bag ring (11) and then wrapping the open end of the bag around the ring. Feed the bottom of the bag through the garbage bag support (12) and then place the garbage bag ring (11), with the opening of the bag wrapped around it, into the garbage bag support (12).



STEP 19

Pull the bag from its' bottom to ensure it is fully secured by the garbage bag ring (11) and garbage bag support (12).



WARRANTY AND REPLACEMENT PARTS

1 Year Limited Warranty

PROOF OF PURCHASE is required to access this warranty program, which is in effect from the date of purchase. Customers will be subject to parts, and shipping and handling fees if unable to provide proof of the purchase or after the warranty has expired.

If you have any questions or problems, you can call our customer service department at 1-866-994-6390 from 9:00am to 5:00pm EST, Monday through Friday for assistance.

This limited warranty applies to the functionality of the product ONLY. It does not cover cosmetic issues such as scratches and dents, damage from abrasive or chemical cleaners or any tools used in the assembly or installation of the table, surface rust, or the discoloration of stainless steel surfaces. Paint is not warranted and will require touch up. RUST is not considered a manufacturing or materials defect.

This limited warranty will not reimburse you for the cost of any inconvenience, food, personal injury or property damage.

WARRANTY PROVISIONS

This warranty is non-transferable and does not cover failures due to misuse, improper installation or maintenance.

This warranty is for replacement of defective parts only. We are not responsible for incidental or consequential damages or labor costs.

This warranty does not cover corrosion or discoloration after the prep table is used, or lack of maintenance, hostile environment, accidents, alterations, abuse or neglect.

This warranty does not cover damage caused by abrasive or chemical cleaners, or any damage to other components used in the installation or operation of the prep table.

Paint is not warranted and may require touch-up.

DISCLAIMER OF IMPLIED WARRANTIES; LIMITATION OF REMEDIES

Repair or replacement of defective parts is your exclusive remedy under the terms of this limited warranty. Manufacturer will not be responsible for any consequential or incidental damages arising from the breach of either this limited warranty or any applicable implied warranty, or for failure or damage resulting from acts of God, improper care and maintenance, accident, alteration, replacement of parts by anyone other than manufacturer, misuse, transportation, commercial use, abuse, hostile environments (inclement weather, acts of nature, animal tampering), improper installation or installation not in accordance with printed manufacturer instructions.

For replacement parts, call our customer service department at 1-866-994-6390 from 9:00am to 5:00pm EST, Monday through Friday for assistance.

To register your Cuisinart product, please visit <https://cuisinart.registria.com>.

For FAQ's and replacement parts, please contact us at grilling@thefulhamgroup.com.

For our consumer care department, please contact us at grilling@thefulhamgroup.com or call 1-866-994-6390.

Model # CGWM-090
North American Distributor:
The Fulham Group
Newton, MA 02466