



Commercial
Water Softeners

C40 Series 1" Twin Softener

Installation Instructions & Owner's Manual



aosmith.com/commercialwatertreatment

Table of Contents

Preinstallation Instructions for Dealers	3
Bypass Valve	4
Installation	5
Programming Procedures	8
Operating Displays and Instructions	10
Start-up Instructions	12
Troubleshooting Guide	14
Service Instructions for Transfer Assemblies	18
Replacement Parts	20
Specifications	35
Warranty	37
Quick Reference Guide	38

YOUR WATER TEST

Hardness _____ gpg
Iron _____ ppm
pH _____ number
*Nitrates _____ ppm
Manganese _____ ppm
Sulphur _____ yes/no
Total Dissolved Solids _____

*Over 10 ppm may be harmful for human consumption.
Water softeners do not remove nitrates or coliform bacteria,
this requires specialized equipment.

Your A. O. Smith commercial water softeners are precision built, high quality products. These units will deliver conditioned water for many years to come, when installed and operated properly. Please study this manual carefully and understand the cautions and notes before installing. This manual should be kept for future reference. If you have any questions regarding your water softener, contact your local dealer or the manufacturer at the following:

1900 Prospect Court • Appleton, WI 54914
Phone: 920-739-9401 • Fax: 920-739-9406

Pre-Installation

The manufacturer has preset the water treatment unit's sequence of cycles, cycle times, salt dose, exchange capacity and salt dose refill time.

The dealer should read this page and guide the installer regarding hardness, day override, time of regeneration, service alarm and buzzer alarm settings before installation.

For the installer, the following must be used:

- Program Installer Settings: Time of Day and Hardness (manufacturer has set system to Immediate Regeneration; see Operating Displays and Instructions for more details), Service Alarms (preset to "OFF") and Buzzer Alarm (preset to start at 6 a.m. and end at 10 p.m.)
- Read Normal Operating Displays
- Set Time of Day
- Read Power Loss & Error Display
- Be sure system and installation are in compliance with all state and local laws and regulations.

For the homeowner, please read Programming Procedures and Operating Displays and Instructions.

During operation, the normal user display is *time of day* and *gallons per minute*.

Flow Rate, *Vacation Mode*, *Capacity Remaining* and *Days to a Regeneration* are optional displays but are not normally used. (Vacation Mode is used only when there will be no water usage for an extended period of time. Once 50 gallons of water is used, the unit will automatically regenerate that night and resume normal operation.) Each of these can be viewed by pressing **NEXT** to scroll through them. When stepping through any programming, if no buttons are pressed within 5 minutes, the display returns to a normal user display. Any changes made prior to the 5 minute time out are incorporated. To quickly exit any Programming, Installer Settings, etc., press **SET CLOCK**. Any changes made prior to the exit are incorporated.

Bypass Valve

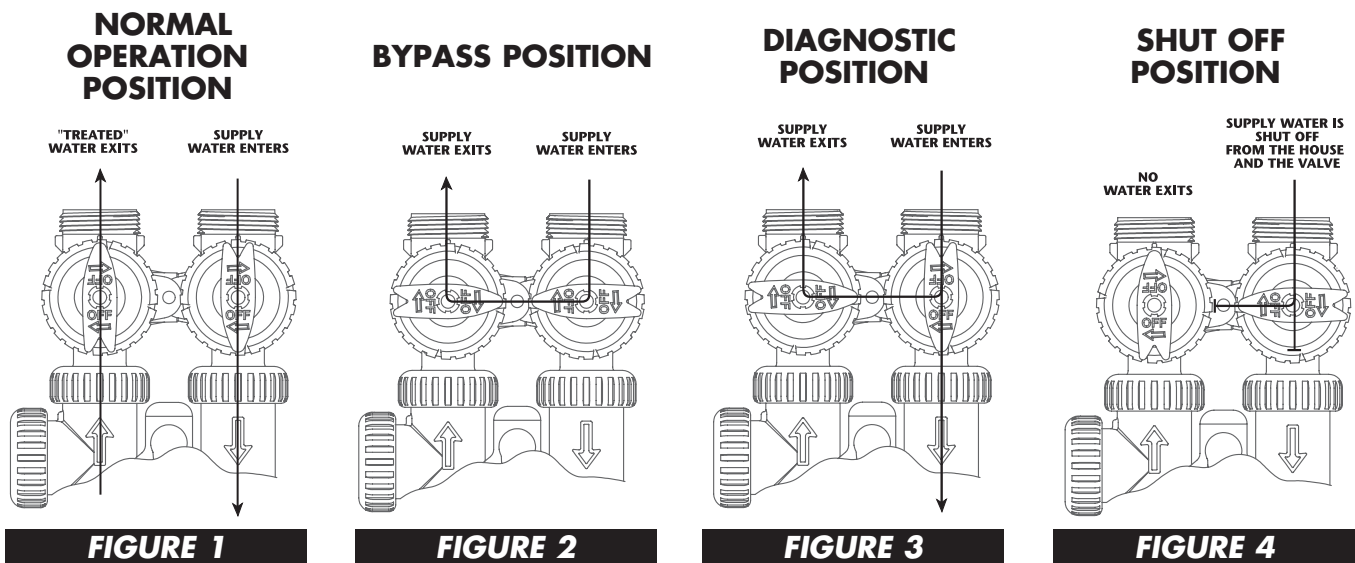
The bypass valve is typically used to isolate the control valve from the plumbing system's water pressure in order to perform control valve repairs or maintenance. The 1" full flow bypass valve incorporates four positions, including a diagnostic position that allows a service technician to have pressure to test a system while providing untreated bypass water to the building. Be sure to install bypass valve onto main control valve, before beginning plumbing. Or, make provisions in the plumbing system for a bypass. The bypass body and rotors are glass-filled Noryl® and the nuts and caps are glass-filled polypropylene. All seals are self-lubricating EPDM to help prevent valve seizing after long periods of non-use. Internal "O" Rings can easily be replaced if service is required.

The bypass consists of two interchangeable plug valves that are operated independently by red arrow shaped handles. The handles identify the direction of flow. The plug valves enable the bypass valve to operate in four positions.

1. **NORMAL OPERATION POSITION:** The inlet and outlet handles point in the direction of flow indicated by the engraved arrows on the control valve. Water flows through the control valve for normal operation of a water softener. During the regeneration cycle this position provides regeneration water to the unit, while also providing untreated water to the distribution system (**Fig. 1**).
2. **BYPASS POSITION:** The inlet and outlet handles point to the center of the bypass. The system is isolated from the water pressure in the plumbing system. Untreated water is supplied to the building (**Fig. 2**).
3. **DIAGNOSTIC POSITION:** The inlet handle points toward the control valve and the outlet handle points to the center of bypass valve. Untreated supply water is allowed to flow to the system and to the building, while not allowing water to exit from the system to the building (**Fig. 3**). This allows the service technician to draw brine and perform other tests without the test water going to the building.

NOTE: The system must be rinsed before returning the bypass valve to the normal position.

4. **SHUT OFF POSITION:** The inlet handle points to the center of the bypass valve and the outlet handle points away from the control valve. The water is shut off to the building. The water treatment system will depressurize upon opening a tap in the building. A negative pressure in the building combined with the softener being in regeneration could cause a siphoning of brine into the building. If water is available on the outlet side of the softener, it is an indication of water bypassing the system (**Fig. 4**) (i.e. a plumbing cross-connection somewhere in the building).



Installation

GENERAL INSTALLATION & SERVICE WARNINGS

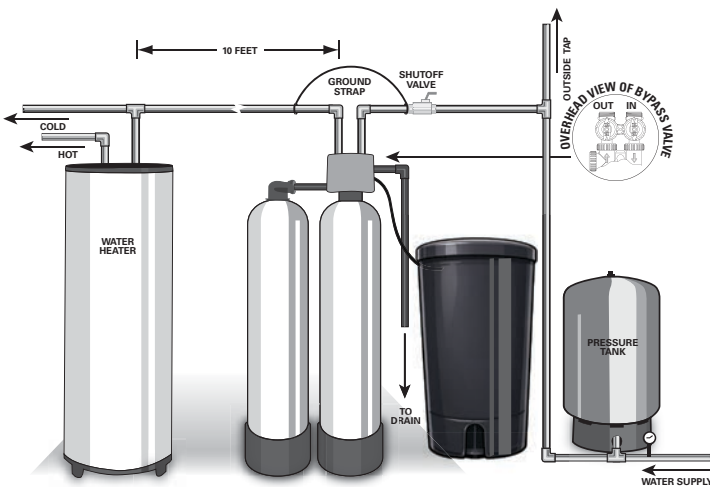
The control valve, fittings and/or bypass are designed to accommodate minor plumbing misalignments. There is a small amount of "give" to properly connect the piping, but the water softener is not designed to support the weight of the plumbing.

Do not use Vaseline, oils, other hydrocarbon lubricants or spray silicone anywhere. A silicone lubricant may be used on black "O" Rings, but is not necessary. *Avoid any type of lubricants, including silicone, on red or clear lip seals.*

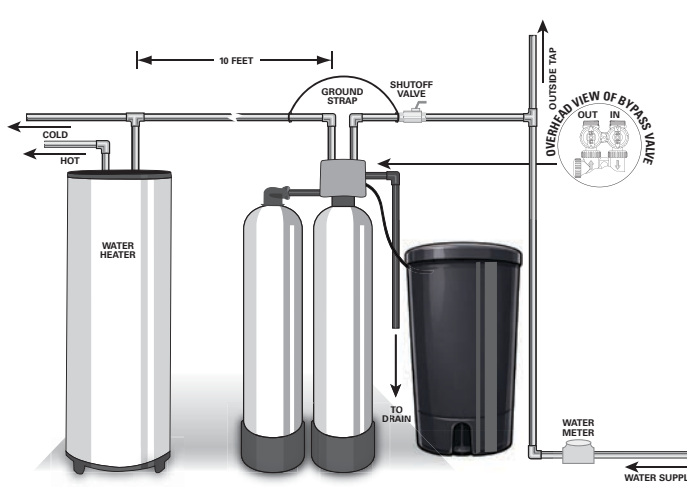
Do not use pipe dope or other sealants on threads. Teflon® tape must be used on the threads of the 1" NPT inlet and outlet, the brine line connection at the control valve, and on the threads for the drain line connection. Teflon® tape is not used on the nut connections or caps because "O" Ring seals are used. The nuts and caps are designed to be unscrewed or tightened by hand or with the special plastic Service Wrench, #CV3193-02. If necessary pliers can be used to unscrew the nut or cap. Do not use a pipe wrench to tighten nuts or caps. *Do not place screwdriver in slots on caps and/or tap with a hammer.*

SITE REQUIREMENTS

- water pressure – 25-100 psi
- water temperature – 33-100°F (0.5-37.7°C)
- electrical – 115/120V, 60Hz uninterrupted outlet
- the tank should be on a firm level surface
- current draw is 0.5 amperes
- the plug-in transformer is for dry locations only

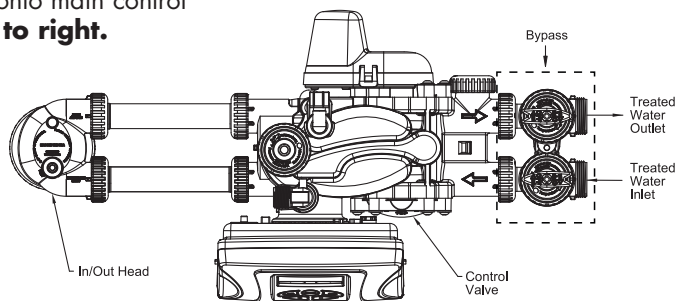


WELL WATER INSTALLATION



MUNICIPAL INSTALLATION

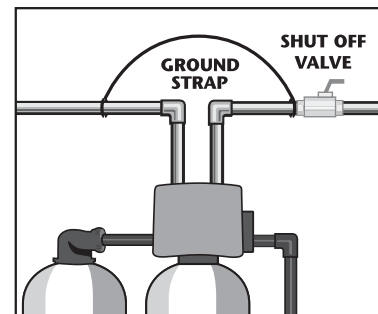
1. The distance between the drain and the water softener should be as short as possible.
2. Since salt must be periodically added to the brine tank, it should be located where it is easily accessible.
3. Do not install any water softener with less than 10 feet of piping between its outlet and the inlet of a water heater.
4. Do not locate unit where it or its connections (including the drain and overflow lines) will ever be subjected to room temperatures under 33°F.
5. Do not subject the tank to any vacuum, as this may cause an "implosion" and could result in leaking. If there is a possibility a vacuum could occur, please make provision for a vacuum breaker in the installation.
6. **INLET/OUTLET PLUMBING:** Be sure to install Bypass Valve onto main control valve before beginning plumbing. **(See installation picture to right. Be sure bypass is connected to treated water inlet and outlet.)** Make provisions to bypass outside hydrant and cold hard water lines at this time. Install an inlet shutoff valve and plumb to the unit's bypass valve inlet located at the right rear as you face the unit. There are a variety of installation fittings available. They are listed under Installation Fitting Assemblies, page 28-30. When assembling the installation fitting package (inlet and outlet), connect the fitting to the



Installation

plumbing system first and then attach the nut, split ring and "O" Ring. Heat from soldering or solvent cements may damage the nut, split ring or "O" Ring. Solder joints should be cool and solvent cements should be set before installing the nut, split ring and "O" Ring. Avoid getting solder flux, primer, and solvent cement on any part of the "O" Rings, split rings, bypass valve or control valve. If the building's electrical system is grounded to the plumbing, install a copper grounding strap from the inlet to the outlet pipe. Plumbing must be done in accordance with all applicable local codes.

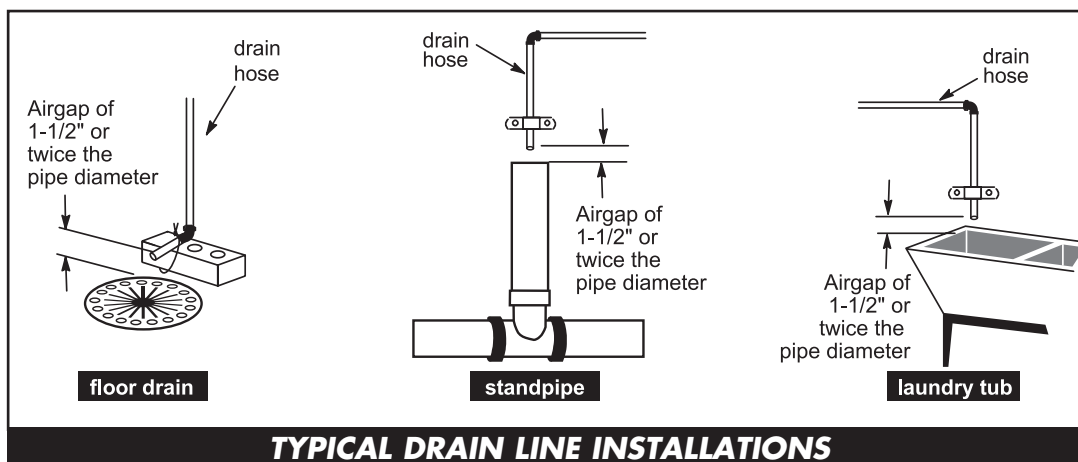
7. **INSTALLING GROUND:** To maintain an electrical ground in metal plumbing of a home's cold water piping (such as a copper plumbing system), install a ground clamp or jumper wiring. **NOTE:** If replacing an existing softener, also replace the ground clamps/wire. If removing a softener, replace the piping with the same type of piping as the original to assure plumbing integrity and grounding.



8. **DRAIN LINE:** First, be sure that the drain can handle the backwash rate of the system. Solder joints near the drain must be done prior to connecting the drain line flow control fitting. Leave at least 6" between the drain line flow control fitting and solder joints. Failure to do this could cause interior damage to the flow control. Install a 1/2" I.D. flexible plastic tube to the Drain Line Assembly or discard the tubing nut and use the 3/4" NPT fitting for rigid pipe (recommended). **If the backwash rate is greater than 7 gpm, use a 3/4" rigid drain line.** Where the drain line is elevated but empties into a drain below the level of the control valve, form a 7" loop at the discharge end of the line so that the bottom of the loop is level with the drain connection on the control valve. This will provide an adequate anti-siphon trap. Piping the drain line overhead <10 ft is normally not a problem. Be sure adequate pressure is available (40-60 psi is recommended). Where the drain empties into an overhead sewer line, a sink-type trap must be used. Run drain tube to its discharge point in accordance with plumbing codes. Pay special attention to codes for air gaps and anti-siphon devices. **NOTE:** Drain line nut will not be supplied for units having a backwash rate greater than 7 gpm.

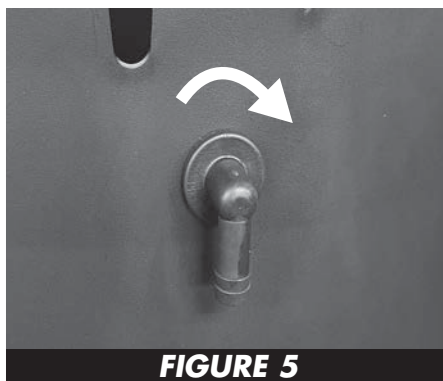


CAUTION: Never insert a drain line into a drain, sewer line, or trap. Always allow an air gap of 1-1/2" or twice the pipe diameter, whichever is greater, between the drain line and the wastewater to prevent the possibility of sewage being back-siphoned into the softener.

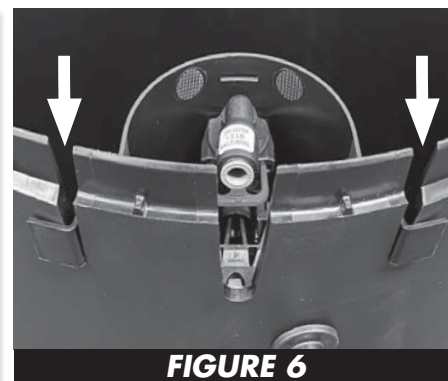


9. **BRINE TANK ASSEMBLY:** Brine tank components for 19x37" tanks need to be assembled in the field. Follow the steps below:

a. **OVERFLOW ELBOW** — Screw the overflow elbow clockwise into the hole below the brine well slots. The elbow is self-tapping and does not require a nut to be secured. Push against the inside of the tank while installing the elbow for leverage if needed (**Fig. 5**).



b. **BRINE WELL** — Install the brine well by aligning the arms into the slots on the side of the tank with the tabs facing outward (**Fig. 6**).



Continued on next page.

Installation

c. **BRINE WELL** — Ensure the brine well is properly secured on the bottom of the tank (**Fig. 7**).

d. **BRINE LINE** — Push the brine line into the flow control elbow of the safety float assembly until it locks into place (**Fig. 8**).

e. **BRINE WELL RETAINER** — Install the brine well retainer above the brine well by pushing the retainer down with the tabs facing outward. Ensure the retainer is flush with the tank and pushed all the way down (**Fig. 9**).

f. **BRINE WELL COVER** — Snap the cover over the brine well (**Fig. 10**).

g. **BRINE TANK COVER** — Install the tank cover by aligning the arrows on the outer edge of the cover with the indents on the lip of the brine tank (**Fig. 11**). Rotate the cover clockwise 1.5" to lock it into place (**Fig. 12**).

NOTE: The brine tank cover is found inside the top of the box in the unit packaging.

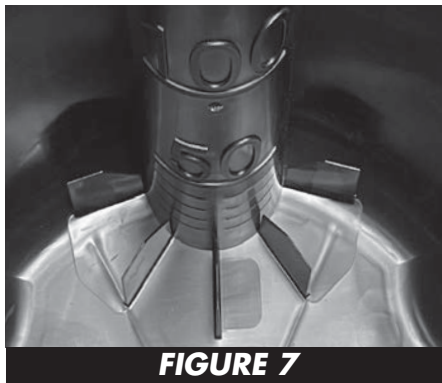


FIGURE 7

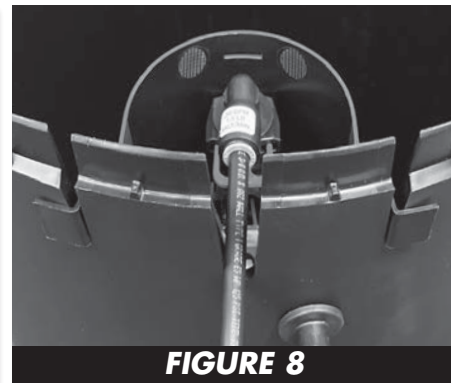


FIGURE 8

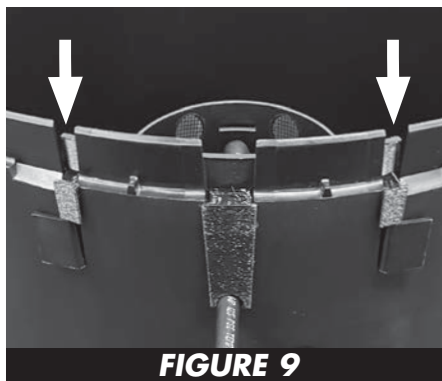


FIGURE 9

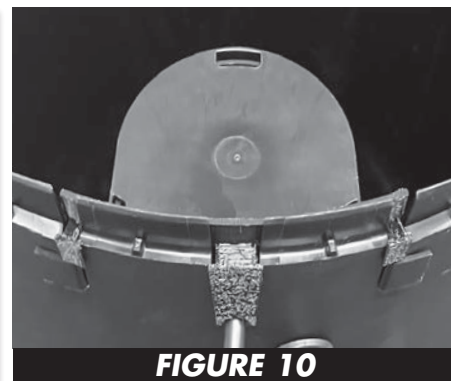


FIGURE 10

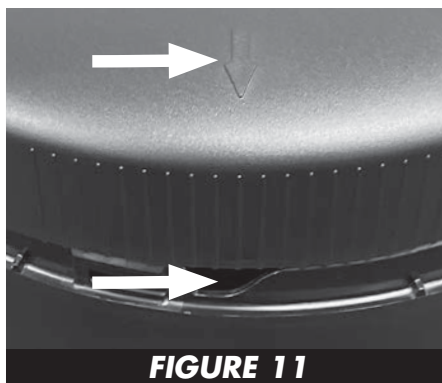


FIGURE 11



FIGURE 12

10. **OVERFLOW LINE CONNECTION:** An overflow drain line is recommended where a brine overflow could damage furnishings or the building structure. Your unit is equipped with a brine tank safety float which greatly reduces the chance of an accidental brine overflow. In the event of a malfunction, however, an overflow line connection will direct the "overflow" to the drain instead of spilling on the floor where it could cause considerable damage. This fitting is an elbow on the side of the brine tank, which was

installed in Step 10-a. Finish the setup by attaching a length of 1/2" I.D. tubing to fitting and run to drain. Do not elevate overflow line higher than 3" below bottom of overflow fitting. Do not connect this tube into the drain line of the control valve. Overflow line must be a direct, separate line from overflow fitting to drain, sewer, or tub. The overflow line is a gravity drain and cannot run higher than the initial drain point. Allow an air gap as per the drain line instructions.

11. **SAFETY BRINE TANK CONNECTION:** Install the 3/8" O.D. polyethylene tube from the Brine Safety Float valve in the tank to the Refill Elbow on the control valve (**Fig. 13**).

12. **OVERFLOW LINE CONNECTION:** An overflow drain line is recommended where a brine overflow could damage furnishings or the building structure. Your unit is equipped with a brine tank safety float which greatly reduces the chance of an accidental brine overflow. In the event of a malfunction, however, an overflow line connection will direct the "overflow" to the drain instead of spilling on the floor where it could cause considerable damage. This fitting is an elbow on the side of the brine tank, which was installed in Step 10-a. Finish the setup by attaching a length of 1/2" I.D. tubing to fitting and run to drain. Do not elevate overflow line higher than 3" below bottom of overflow fitting. Do not connect this tube into the drain line of the control valve. Overflow line must be a direct, separate line from overflow fitting to drain, sewer, or tub. The overflow line is a gravity drain and cannot run higher than the initial drain point. Allow an air gap as per the drain line instructions.



FIGURE 13

Programming Procedures

1. Set time of day:

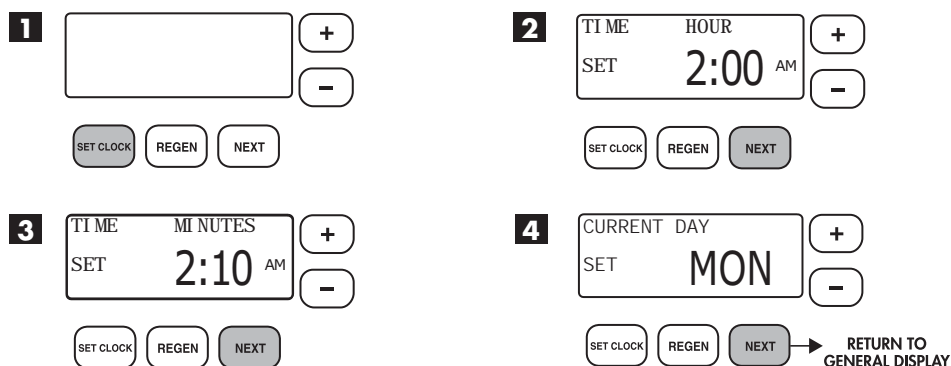
Time of day should only need to be set after extended power outages or when daylight saving time begins or ends. If an extended power outage occurs, the time of day will flash on and off indicating that the time should be reset.

STEP 1 – Press **SET CLOCK**.

STEP 2 – **CURRENT TIME (HOUR)**: Set the hour of the day using **+** or **-** buttons. AM/PM toggles after 12. Press **NEXT** to go to step 3.

STEP 3 – **CURRENT TIME (MINUTES)**: Set the minutes using **+** or **-** buttons. If it is desired to back up to the previous step press **REGEN** button once. Press **NEXT** to go to step 4.

STEP 4 – **CURRENT DAY**: Set the day of the week using **+** or **-** buttons. Pressing **NEXT** will exit **SET CLOCK** and return to the general operating display (page 9).



2. Programming:

NOTE: The manufacturer has preset the unit so that the gallons between regenerations will be automatically calculated after the hardness is entered.

STEP 1 – Press **NEXT** and **+** simultaneously for 3 seconds.

STEP 2 – **HARDNESS**: Set the amount of hardness in grains per gallon (default 20) using the **+** or **-** buttons. The allowable range is from 1 to 150 in 1 grain increments.

NOTE: If a resin media is used in the softener, increase the grains per gallon if soluble iron is present (1 ppm = 4 gpg). This display will show "-nA-" (not available) if "FILTER" is selected or if "AUTO" is not factory set.

Press **NEXT** to go to step 3.

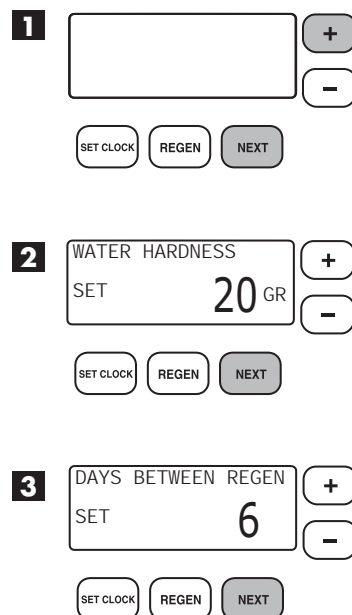
Press **REGEN** if you want to exit.

STEP 3 – **DAYS BETWEEN REGENERATION (DAY OVERRIDE)**: The manufacturer has factory set OFF as the default. When set to "OFF", regeneration initiation is based solely on gallons used. If any number is set (allowable range from 1 to 28), a regeneration initiation will be called for on that day even if a sufficient number of gallons were not used to call for a regeneration.

Set Day Override using **+** or **-** buttons (6 is recommended):

- set number of days between regeneration (1 to 28); or
- set to "OFF"

Press **NEXT** to go to step 4. Press **REGEN** to return to the previous step.



Programming Procedures

NOTE: The manufacturer has preset the unit so that the gallons between regenerations will be automatically calculated after the hardness is entered.

STEP 1 – Press **NEXT** and **+** simultaneously for 3 seconds.

STEP 2 – **HARDNESS:** Set the amount of hardness in grains per gallon (default 20) using the **+** or **-** buttons. The allowable range is from 1 to 150 in 1 grain increments.

NOTE: If a resin media is used in the softener, increase the grains per gallon if soluble iron is present (1 ppm = 4 gpg). This display will show “-nA- (not available)” if “FILTER” is selected or if “AUTO” is not factory set.

Press **NEXT** to go to step 3.

Press **REGEN** if you want to exit.

STEP 3 – **DAYS BETWEEN REGENERATION (DAY OVERRIDE):** The manufacturer has factory set OFF as the default. When set to “OFF”, regeneration initiation is based solely on gallons used. If any number is set (allowable range from 1 to 28), a regeneration initiation will be called for on that day even if a sufficient number of gallons were not used to call for a regeneration.

Set Day Override using **+** or **-** buttons (6 is recommended):

- set number of days between regeneration (1 to 28); or
- set to “OFF”

Press **NEXT** to go to step 4. Press **REGEN** to return to the previous step.

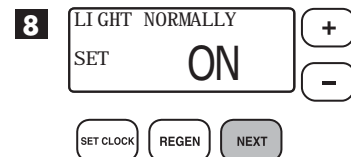
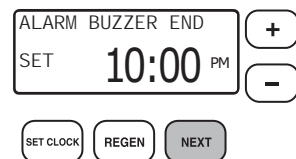
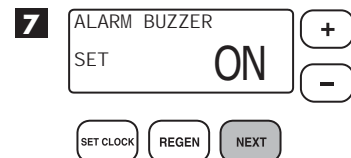
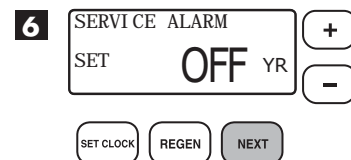
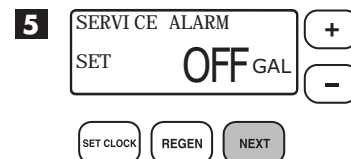
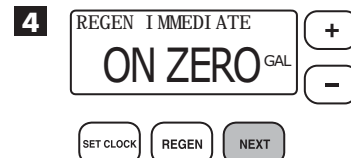
STEP 4 – **IMMEDIATE REGENERATION:** The manufacturer has set the regeneration to occur when zero gallons remain. When this occurs, the standby tank will switch into service and provide treated water while the tank requiring regeneration will start this process.

Press **NEXT** to go to step 5. Press **REGEN** to return to the previous step.

STEP 5 – **SERVICE ALARM GALLONS:** The manufacturer has factory set “OFF” as the default. This feature is used to signal service into the future. This is typically set by the installing dealer to warn homeowner that service is required after a preset number of gallons have been consumed. If the feature is active, a specific gallon amount will appear.

Press **NEXT** three times to advance past this screen.

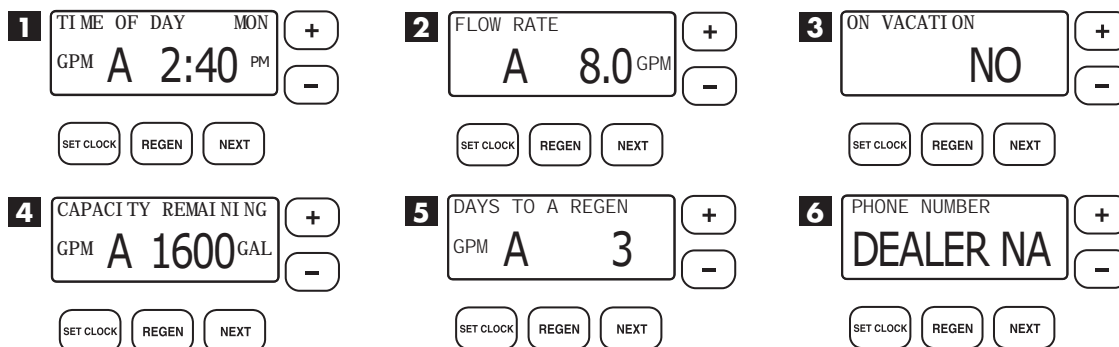
STEP 6 – **SERVICE ALARM TIME:** The manufacturer has factory set “OFF” as the default. This feature is used to signal service into the future. This is typically set by the installing dealer to warn homeowner that service is required after a period of time has passed. If the feature is active, a specific number of days



Operating Displays & Maintenance

- GENERAL OPERATION:** When the system is operating, one of five displays may be shown and will alternate with the installing dealer's name and phone number (if set) for future service. Pressing **NEXT** will alternate between the displays.
 - CURRENT TIME OF DAY** and **GPM**. Letter indicates which tank is in service. **GPM** alternates with current flow rate.
 - FLOW RATE** which is the current treated water flow rate through either tank A or B in Gallons Per Minute.
 - VACATION MODE** allows the system to be "shut down" when there will be no water usage for an extended period of time.
 - CAPACITY REMAINING** for the tank in service (A or B) and the gallons that will be treated before the system signals a regeneration cycle and switches to the other tank. **GPM** alternates with current flow rate.
 - DAYS TO A REGEN** is the number of days left before the system goes through a regeneration cycle, based on the days override value. Letter indicates which tank is in service. **GPM** alternates with current flow rate.
 - DEALER NAME AND PHONE NUMBER** is the dealer information to call when service is needed (this screen will only appear if set by dealer).

The user can scroll between the displays as desired.



- VACATION MODE:** This feature may be used to "shut down" the system while on vacation. The manufacturer has factory set "OFF" as the default. Turn feature "OFF" or "ON" using the **+** or **-** buttons. When turned "ON", the unit will not regenerate while there is no water usage. Once water usage is observed (minimum of 50 gallons), the unit will automatically regenerate that night and resume normal operation.



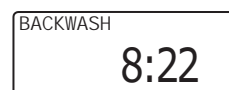
CAUTION: Depending on the severity of water conditions and the length of no water usage, it may not be recommended to use this feature. Please contact dealer or manufacturer for more information.

- MANUAL REGENERATION:** Sometimes there is a need to regenerate before the control valve calls for it. This may be needed if the system has been operated without salt for an extended period of time. To initiate a manual regeneration *immediately*, press and hold the **REGEN** button for three seconds. The system will begin to regenerate immediately. **This command cannot be cancelled.**

Once a manual regeneration is initiated, the unit will transfer to the second tank in order to supply conditioned water. Upon transfer, the depleted tank will begin its regeneration.

- REGENERATION MODE:** Typically a twin system regenerates when the capacity of the tank providing treated water reaches zero remaining gallons. At this time, the online tank will transfer and put the standby tank online so there is no disruption of treated water. Once this transfer is complete, the depleted tank will regenerate and return to standby mode ready to enter service upon depletion of capacity of other tank. This two tank configuration provides for a continuous, uninterrupted supply of conditioned water at all times. When the system begins to regenerate, the display will change to include information about the step of the regeneration process and the time remaining for that step to be completed. The system will run through all remaining steps automatically and will reset to provide treated water when the regeneration process has been completed.

REGENERATION MODE



Operating Displays & Maintenance

5. **POWER LOSS AND BATTERY REPLACEMENT:** The transformer comes with a 15 foot power cord and is designed for use with the control valve; the transformer should only be used in a dry location.

In the event of a power outage, the control valve will remember all settings and time of day. If an extended power outage occurs, the control valve will keep time of day until the battery is depleted. When the battery becomes depleted, the only item that needs to be reset is the time of day and will be indicated by the time of day flashing. All other settings are permanently stored in the nonvolatile memory.

If a power loss occurs and the time of day flashes, this indicates that the battery is depleted. The time of day should be reset and the non-rechargeable battery should be replaced. The battery is a 3 Volt Lithium Coin Cell type 2032 and is readily available at most stores. To access battery location, remove front cover (see diagram on page 18 for battery location).

6. **CHECK SALT INDICATOR AND AUDIBLE ALARM (OPTIONAL):** This control valve may be equipped with a Low Salt Warning to alert homeowners that the system is operating in a low salt condition. This usually indicates that the salt level in the brine tank is too low to operate properly. If "CHECK SALT" appears, there will usually be an audible alarm that sounds also (if turned on), alerting you to these conditions.

To turn off alarm: If the audible alarm sounds due to a low salt condition, press any button on the face of the control valve to turn off. If salt is not added to the brine tank before the next regeneration, the CHECK SALT indicator will alarm again.

IMPORTANT: If you feel that the salt level is adequate (at least 1/3 full) in the brine tank, please contact the dealer that installed your system for service.

7. **ERROR MESSAGE:** If the word "ERROR" appears and flashes alternately with the dealer name and phone number, record the ERROR number and your contact servicing dealer promptly. This indicates that the control valve was not able to function properly.

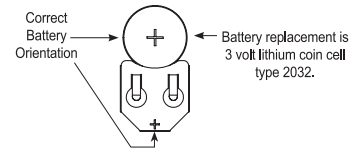
8. **BRINE TANK MAINTENANCE AND SALT:** Refill the brine tank as necessary, making sure at least 1/3 of the brine tank is full at all times. Without proper salt levels, the water softener may not operate properly.

The manufacturer recommends the use of solar salt for best results. The brine tank is manufactured for the use of solar, pellets or rock salt. If pellet or rock salt is used, a cleaning of the brine tank every six months is recommended.

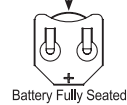


CAUTION: With some models the manufacturer does NOT recommend the use of any resin cleaners, nor placing any resin cleaners into the brine tank. Furthermore, do not use any salt that indicates it is an iron cleaning salt or that contains any cleaning additives. This may be harmful to the water softener and for human consumption. Consult dealer for proper cleaning instructions and agents.

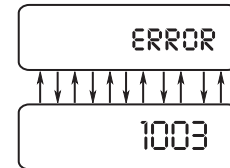
BATTERY REPLACEMENT



When replacing the battery, align positives and push down to fully seat.



ERROR



Start-Up Instructions

FLUSHING OF SYSTEM:

To flush the system of any debris and air after installation is complete, please perform the following steps:

1. Rotate bypass handles to the bypass mode (*see Fig. 2 of page 4*).
2. Turn on inlet water and check for leaks in the newly installed plumbing.
3. Fully open a cold water faucet, preferable at a laundry sink or bathtub without an aerator.
4. Allow water to run until clear to rid pipes of debris which may have occurred during installation.

System regeneration sequence is in the following order. (If it is desired to change this sequence, please refer to the Dealer Master Programming Guide or contact the manufacturer.)

- 1) BACKWASH
- 2) BRINE and RINSE DOWN
- 3) RAPID RINSE

- 4) BRINE TANK FILL
- 5) END (returns to Standby)

The system is now ready for filling with water and for testing.

1. With the softener in the bypass mode (*Fig. 2 on page 4*) and the control valve in normal operation where the display shows either the time of day or the gallons remaining, manually add 8" of water to the regenerant tank.
NOTE: If too much water is put into the brine tank during softener start up, it could result in a "salty water" complaint after the first regeneration.
During the first regeneration the unit will draw out the initial volume of brine/regenerant and refill it with the correct preset amount.
2. With the softener in bypass mode, press and hold the **REGEN** button until the motor starts. Release button. The display will read "Pend 0" for about three seconds while the system transfers from one tank to another. After the transfer is complete, the valve will automatically advance to the "Backwash" position. Once the valve has stopped in this position, unplug the transformer so that the valve will not cycle to the next position. Open the inlet handle of the bypass valve very slightly, allowing water to fill the tank slowly in order to expel air from the tank.



CAUTION: If water flows too rapidly, there will be a loss of media to the drain.

3. When the water is flowing steadily to the drain, clear and without the presence of air, slowly open the inlet valve. Restore power and momentarily press the **REGEN** button to advance the control to the "BRINE" position.
4. With the bypass now in diagnostic mode (*Fig. 3 on page 4*), check to verify that water is being drawn from regenerant tank with no air leaks or bubbles in the brine line. There should be a slow flow to the drain. Disconnect brine line from the safety float valve in the brine tank and check for a vacuum. After proper confirmation, reconnect brine line, making sure to tighten securely.
5. Momentarily press **REGEN** again until the display reads "RINSE." There should be a rapid flow to the drain. Unplug transformer to keep the valve in the "RINSE" position. Allow to run until steady, clear and without air. While the unit is rinsing, load the brine tank with water softener salt (*refer to page 10, Brine Tank Maintenance and Salt*). Restore power.
6. Push **REGEN** again and the unit will advance to the "Brine Refill" position. Check to make sure the brine tank is refilling. The flow rate is usually .5 gpm for all residential and light commercial applications.
7. Push **NEXT** and the unit will return to normal operation.
8. Place unit into bypass mode again (*see Fig. 2 on page 4*) and press and hold the regen button to allow control valve to transfer to the second tank. Follow steps 2-7 to now expel air from this tank.
9. When finished expelling air from second tank, return bypass handles to normal operating position (*see Fig. 1 on page 4*). The unit is now online and soft water is available for use.
10. **CONDITIONING OF MEDIA** (*To flush any remaining debris and air from the system*):
 1. Fully open a cold water faucet, preferably at a laundry sink or bathtub without an aerator.
 2. Wait two to three minutes or until water runs clear, then turn water off.
 3. Turn on hot water and check for air, then turn water off after air is discharged.
11. **SANITIZING OF UNIT UPON INSTALLATION AND AFTER SERVICE** (*At this time, it is advised to sanitize the softener*):
 1. Open brine tank and remove brine well cover.
 2. Pour 1 oz. of household bleach into the softener brine well.
 3. Replace brine well cover.**NOTE:** Avoid pouring bleach directly onto the safety float components in the brine well.
Unit sanitizing will be complete when the first cycle is run and the bleach is flushed from the softener.
12. Check time of day. Start-up is now complete.

This page intentionally left blank.

Troubleshooting Guide

PROBLEM	CAUSE	CORRECTION
1. No display on PC board	A. No power at electric outlet	A. Repair outlet or use working outlet
	B. Control valve power adapter not plugged into outlet or power cord end not connected to PC board connection	B. Plug power adapter into outlet or connect power cord end to PC board connection
	C. Improper power supply	C. Verify proper voltage is being delivered to PC board
	D. Defective power adapter	D. Replace power adapter
	E. Defective PC board	E. Replace PC board
	F. Dead battery	F. Replace battery
2. PC board does not display correct time of day	A. Power adapter plugged into electric outlet controlled by light switch	A. Use uninterrupted outlet
	B. Tripped breaker switch and/or tripped GFI	B. Reset breaker switch and/or GFI switch
	C. Power outage	C. Reset time of day. If PC board has battery back up present the battery may be depleted. See front cover and drive assembly drawing for instructions.
	D. Defective PC board	D. Replace PC board
3. Display does not indicate that water is flowing. Refer to user instructions for how the display indicates water is flowing.	A. Bypass valve in bypass position	A. Turn bypass handles to place bypass in service position
	B. Meter is not connected to meter connection on PC board	B. Connect meter to three pin connection labeled METER on PC board
	C. Restricted/stalled meter turbine	C. Remove meter and check for rotation or foreign material
	D. Meter wire not installed securely into three pin connector	D. Verify meter cable wires are installed securely into three pin connector labeled METER
	E. Defective meter	E. Replace meter
	F. Defective PC board	F. Replace PC board
4. Control valve regenerates at wrong time of day	A. Power outage	A. Reset time of day. If PC board has battery back up present the battery may be depleted. See front cover and drive assembly drawing for instructions.
	B. Time of day not set correctly	B. Reset to correct time of day
	C. Time of regeneration set incorrectly	C. Reset regeneration time
	D. Control valve set at "on 0" (immediate regeneration)	D. Check programming setting and reset to NORMAL (for a delayed regen time)
	E. Control valve set at "NORMAL + on 0" (delayed and/or immediate)	E. Check programming setting and reset to NORMAL (for a delayed regen time)
5. Time of day flashes on and off	A. Power outage	A. Reset time of day. If PC board has battery back up present the battery may be depleted. See diagram on page 18 for battery location.
6. Control valve does not regenerate automatically when the correct button(s) is depressed and held.	A. Broken drive gear or drive cap assembly	A. Replace drive gear or drive cap assembly
	B. Broken piston rod	B. Replace piston rod
	C. Defective PC board	C. Defective PC board



Troubleshooting Guide

PROBLEM	CAUSE	CORRECTION
7. Control valve does not regenerate automatically but does when the correct button(s) is depressed and held.	A. Bypass valve in bypass position	A. Turn bypass handles to place bypass in service position
	B. Meter is not connected to meter connection on PC board	B. Connect meter to three pin connection labeled METER on PC board
	C. Restricted/stalled meter turbine	C. Remove meter and check for rotation or foreign material
	D. Incorrect programming	D. Check for programming error
	E. Meter wire not installed securely into three pin connector	E. Verify meter cable wires are installed securely into three pin connector labeled METER
	F. Defective meter	F. Replace meter
	G. Defective PC board	G. Replace PC board
8. Hard or untreated water is being delivered	A. Bypass valve is open or faulty	A. Fully close bypass valve or replace
	B. Media is exhausted due to high water usage	B. Check program settings or diagnostics for abnormal water usage
	C. Meter not registering	C. Remove meter and check for rotation or foreign material
	D. Water quality fluctuation	D. Test water and adjust program values accordingly
	E. No regenerant or low level of regenerant in regenerant tank	E. Add proper regenerant to tank
	F. Control fails to draw in regenerant	F. Refer to Troubleshooting Guide number 12
	G. Insufficient regenerant level in regenerant tank	G. Check refill setting in programming. Check refill flow control for restrictions or debris and clean or replace
	H. Damaged seal/stack assembly	H. Replace seal/stack assembly
	I. Control valve body type and piston type mix matched	I. Verify proper control valve body type and piston type match
	J. Fouled media bed	J. Replace media bed
9. Control valve uses too much regenerant	A. Improper refill setting	A. Check refill setting
	B. Improper program settings	B. Check program setting to make sure they are specific to the water quality and application needs
	C. Control valve regenerates frequently	C. Check for leaking fixtures that may be exhausting capacity or system is undersized
10. Residual regenerant being delivered to service	A. Low water pressure	A. Check incoming water pressure – water pressure must remain at minimum of 25 psi
	B. Incorrect injector size	B. Replace injector with correct size for the application
	C. Restricted drain line	C. Check drain line for restrictions or debris and clean
11. Excessive water in regenerant tank	A. Improper program settings	A. Check refill setting
	B. Plugged injector	B. Remove injector and clean or replace
	C. Drive cap assembly not tightened in properly	C. Retighten the drive cap assembly
	D. Damaged seal/stack assembly	D. Replace seal/stack
	E. Restricted or kinked drain line	E. Check drain line for restrictions or debris and or unkink drain line
	F. Plugged backwash flow controller	F. Remove backwash flow controller and clean or replace
	G. Missing refill flow controller	G. Replace refill flow controller

Troubleshooting Guide

PROBLEM	CAUSE	CORRECTION
12. Control valve fails to draw in regenerant	A. Injector is plugged	A. Remove injector and clean or replace
	B. Faulty regenerant piston	B. Replace regenerant piston
	C. Regenerant line connection leak	C. Inspect regenerant line for air leak
	D. Drain line restriction or debris cause excess back pressure	D. Inspect drain line and clean to correct restriction
	E. Drain line too long or too high	E. Shorten length and or height
	F. Low water pressure	F. Check incoming water pressure – water pressure must remain at minimum of 25 psi
13. Water running to drain	A. Power outage during regeneration	A. Upon power being restored control will finish the remaining regeneration time. Reset time of day. If PC board has battery back up present the battery may be depleted. See front cover and drive assembly drawing for instructions.
	B. Damaged seal/stack assembly	B. Replace seal/stack assembly
	C. Piston assembly failure	C. Replace piston assembly
	D. Drive cap assembly not tightened in properly	D. Retighten the drive cap assembly
14. E1, Err – 1001, Err – 101 = Control unable to sense motor movement	A. Motor not inserted fully to engage pinion, motor wires broken or disconnected	A. Disconnect power, make sure motor is fully engaged, check for broken wires, make sure two pin connector on motor is connected to the two pin connection on the PC board labeled MOTOR. Press NEXT and REGEN buttons for 3 seconds to resynchronize software with piston position or disconnect power supply from PC board for 5 seconds and then reconnect.
	B. PC board not properly snapped into drive bracket	B. Properly snap PC board into drive bracket and then Press NEXT and REGEN buttons for 3 seconds to resynchronize software with piston position or disconnect power supply from PC board for 5 seconds and then reconnect.
	C. Missing reduction gears	C. Replace missing gears
15. E2, Err – 1002, Err – 102 = Control valve motor ran too short and was unable to find the next cycle position and stalled	A. Foreign material is lodged in control valve	A. Open up control valve and pull out piston assembly and seal/stack assembly for inspection. Press NEXT and REGEN buttons for 3 seconds to resynchronize software with piston position or disconnect power supply from PC board for 5 seconds and then reconnect.
	B. Mechanical binding	B. Check piston and seal/stack assembly, check reduction gears, check drive bracket and main drive gear interface. Press NEXT and REGEN buttons for 3 seconds to resynchronize software with piston position or disconnect power supply from PC board for 5 seconds and then reconnect.
	C. Main drive gear too tight	C. Loosen main drive gear. Press NEXT and REGEN buttons for 3 seconds to resynchronize software with piston position or disconnect power supply from PC board for 5 seconds and then reconnect.
	D. Improper voltage being delivered to PC board	D. Verify that proper voltage is being supplied. Press NEXT and REGEN buttons for 3 seconds to resynchronize software with piston position or disconnect power supply from PC board for 5 seconds and then reconnect.



Troubleshooting Guide

PROBLEM	CAUSE	CORRECTION
16. E3, Err – 1003, Err – 103 = Control valve motor ran too long and was unable to find the next cycle position	A. Motor failure during a regeneration	A. Check motor connections then Press NEXT and REGEN buttons for 3 seconds to resynchronize software with piston position or disconnect power supply from PC board for 5 seconds and then reconnect.
	B. Foreign matter built up on piston and stack assemblies creating friction and drag enough to time out motor	B. Replace piston and stack assemblies. Press NEXT and REGEN buttons for 3 seconds to resynchronize software with piston position or disconnect power supply from PC board for 5 seconds and then reconnect.
	C. Drive bracket not snapped in properly and out enough that reduction gears and drive gear do not interface	C. Snap drive bracket in properly then Press NEXT and REGEN buttons for 3 seconds to resynchronize software with piston position or disconnect power supply from PC board for 5 seconds and then reconnect.
17. E4, Err – 1004, Err – 104 = Control valve motor ran too long and timed out trying to reach home position	A. Drive bracket not snapped in properly and out enough that reduction gears and drive gear do not interface	A. Snap drive bracket in properly then Press NEXT and REGEN buttons for 3 seconds to resynchronize software with piston position or disconnect power supply from PC board for 5 seconds and then reconnect.
18. Err -1006, Err – 106, Err - 116 = MAV/ SEPS/ NHBP/ AUX MAV valve motor ran too long and unable to find the proper park position Motorized Alternating Valve = MAV Separate Source = SEPS No Hard Water Bypass = NHBP Auxiliary MAV = AUX MAV	A. Control valve programmed for ALT A or B, nHbP, SEPS, or AUX MAV with out having a MAV or NHBP valve attached to operate that function	A. Press NEXT and REGEN buttons for 3 seconds to resynchronize software with piston position or disconnect power supply from PC board for 5 seconds and then reconnect. Then reprogram valve to proper setting
	B. MAV/NHBP motor wire not connected to PC board	B. Connect MAV/NHBP motor to PC board two pin connection labeled DRIVE. Press NEXT and REGEN buttons for 3 seconds to resynchronize software with piston position or disconnect power supply from PC board for 5 seconds and then reconnect.
	C. MAV/NHBP motor not fully engaged with reduction gears	C. Properly insert motor into casing, do not force into casing Press NEXT and REGEN buttons for 3 seconds to resynchronize software with piston position or disconnect power supply from PC board for 5 seconds and then reconnect.
	D. Foreign matter built up on piston and stack assemblies creating friction and drag enough to time out motor	D. Replace piston and stack assemblies. Press NEXT and REGEN buttons for 3 seconds to resynchronize software with piston position or disconnect power supply from PC board for 5 seconds and then reconnect.
19. Err – 1007, Err – 107, Err - 117 = MAV/ SEPS/NHBP/AUX MAV valve motor ran too short (stalled) while looking for proper park position Motorized Alternating Valve = MAV Separate Source = SEPS No Hard Water Bypass = NHBP Auxiliary MAV = AUX MAV	A. Foreign material is lodged in MAV/NHBP valve	A. Open up MAV/NHBP valve and check piston and seal/ stack assembly for foreign material. Press NEXT and REGEN buttons for 3 seconds to resynchronize software with piston position or disconnect power supply from PC board for 5 seconds and then reconnect.
	B. Mechanical binding	B. Check piston and seal/stack assembly, check reduction gears, drive gear interface, and check MAV/NHBP black drive pinion on motor for being jammed into motor body. Press NEXT and REGEN buttons for 3 seconds to resynchronize software with piston position or disconnect power supply from PC board for 5 seconds and then reconnect.



Transfer Cap Assembly Service

TRANSFER CAP ASSEMBLIES SERVICE INSTRUCTIONS

1. The backplate of the control valve must first be removed to allow access to the transfer cap assembly.
2. Hold slight downward pressure on the top left corner of the backplate while using a thin flat screwdriver or knife blade to push in on the locking tabs. This will release the backplate and it will twist to the left of the valve body.
3. For removal of the drive motor side (**Fig. 3**), remove the drive cover assembly to access the motorized drive. The drive motor can be removed by pressing the spring clip loop to the right then rotating the motor a quarter turn. Pull outward to remove the motor from the reducing gear cover assembly.
4. Remove the three Phillips head stainless steel screws that retain the reducing gear cover to the drive cap.

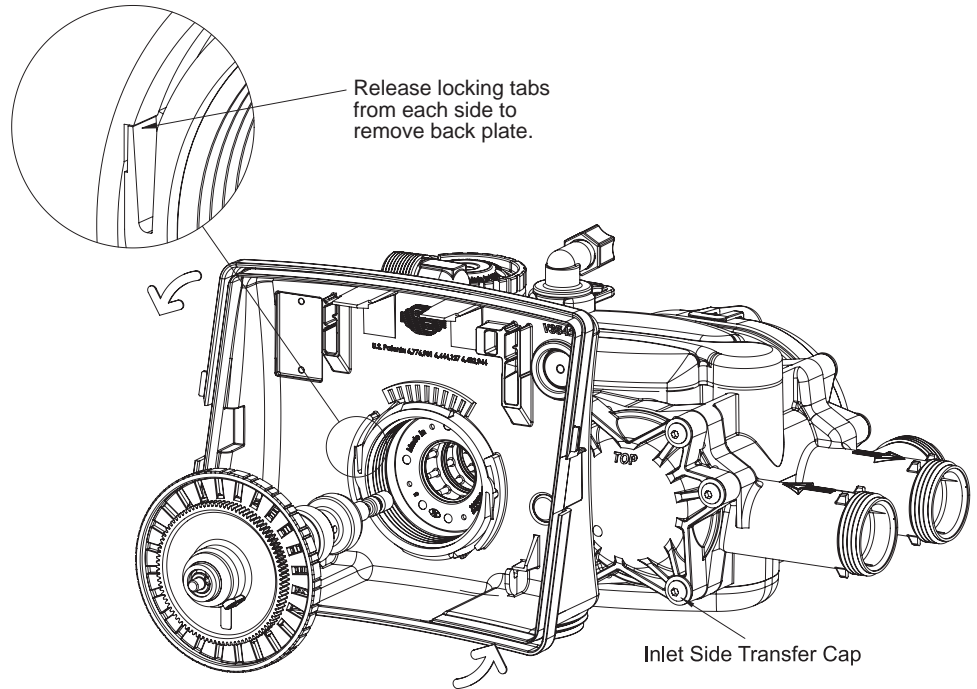


FIGURE 1

5. Once the cover is removed, there will be access to the reducing drive gears. Simply slide them off of the gear axes, then inspect and check them (there are three small black gears with foil decals and one larger black reducing gear).
6. Remove the large white drive gear from the stainless steel drive shaft. To remove the large white transfer drive gear, firmly grab the outside edge of the gear and pull it outward away from the control valve assembly.
7. Use a 5/32" or 4mm allen wrench to remove the 1/4-#20 screws (six screws on each side) that retain the transfer drive cap assemblies on both sides of the valve.
8. Once the screws are removed from retaining the inlet side transfer valve cap and the outlet drive motor transfer cap from the control valve, the cap will spring out away from the valve body. At this point the transfer discs may be removed by pulling the discs outward off of the shaft away from the valve body. With the disc out, inspect the flat surface area to be sure it is clean, smooth and free of any debris or scratches. Note that the disc is keyed to the drive shaft so that it will only assemble in one orientation. (See parts diagram on page 20.)
9. The transfer discs may be chemically cleaned with a dilute sodium bisulfate solution (Iron Out), vinegar or just wiped with a soft clean cloth.
10. To remove seals, gently pull out on the outer lip of the seal to lift the seal out from its cavity being careful not to damage the face surface of the seal.
11. To reassemble, reseal seals into the seal cavity of the control valve body being sure that the lip of the seal is facing outward. **See Fig. 2.**
12. With seals in place, put a thin film of Dow #7 silicone grease on the tops of the seals and the flat surface of the discs.

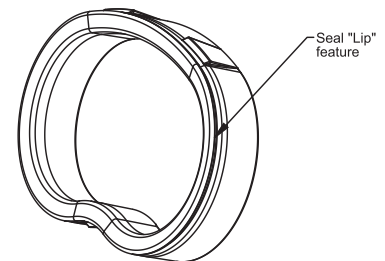


FIGURE 2



CAUTION: Do not use Vaseline, petroleum jelly or any other hydrocarbon lubricants on plastic components or O-rings as they will cause damage to the material and can potentially cause leaks in the system.

13. Prior to reinstalling the discs, the drive shaft should be removed and the O-rings cleaned, inspected and lubricated with Dow #7 silicone grease. The shaft can now be installed into the disc prior to installation.

Transfer Cap Assembly Service

14. With the outlet disc assembled to the shaft, the orientation of the shaft to inlet disc can be assured by installing the set with the through hole on the outlet disc at the 6 o'clock position. The easiest way to reassemble is to remove both disc drives and assemble the outlet side first. Then each disc can be fitted on the shaft individually. At this point the transfer valve cap assemblies can be reinstalled.

NOTE: Both transfer caps only mount in one orientation. Prior to installation of cap assembly, be sure to check that the stainless steel spring and the plastic spring support is in place and attached to the inside of the assembly.

15. Wipe the outside edge of the O-ring on the cap and the inside mating area of the valve with a clean cloth and reapply a thin layer of Dow #7 silicone grease.

16. Noting the one possible orientation of the transfer drive cap, use one hand to press in and support the transfer drive cap while using the opposing hand to start two screws in, one on the top and one opposing it on the bottom. Tighten the screws evenly so that the cap seats the O-ring without getting pinched or damaged. Screws should only be hand tightened with a 5/32" or 4mm allen wrench. **DO NOT OVER TIGHTEN SCREWS.**

NOTE: Take care to be certain the meter cable doesn't get under the drive cap while tightening as it will result in damaging the cable.

17. Position the large white drive gear with the "A" pointing toward the one o'clock position and then press it onto the stainless steel drive shaft, making sure it snaps and locks into position.

NOTE: The white drive gear is splined to the drive shaft and will only assemble in one orientation. Because of this, it is not necessary that the discs and gear be exactly positioned. The positioning needs to be approximate but they have to fit on the shaft.

18. Install the larger black reducing gear onto the stainless steel shaft, then install the remaining smaller reducing gears from left to right.
19. Reinstall the grey reducing gear cover over the gears and affix with the three stainless steel screws.

20. Reinstall the drive motor by pressing the spring clip loop to the right, then rotate the motor as you are inserting it so the gear of the motor meshes properly with the reducing gears.

21. Release the spring clip loop and rotate the motor until the motor housing engages with the plastic nub inside the housing that holds the motor in place, making sure that the top of the motor is flush with the top of the grey gear housing.

22. Press the drive motor wires down into the strain relief of the drive cap.

23. Reinstall the cover assembly.

After completing any valve maintenance involving the valve drive assembly or the transfer drive assembly, press and hold the **NEXT** and **REGEN** buttons simultaneously for three to five seconds to perform a soft reset which will synchronize the control valves positions.

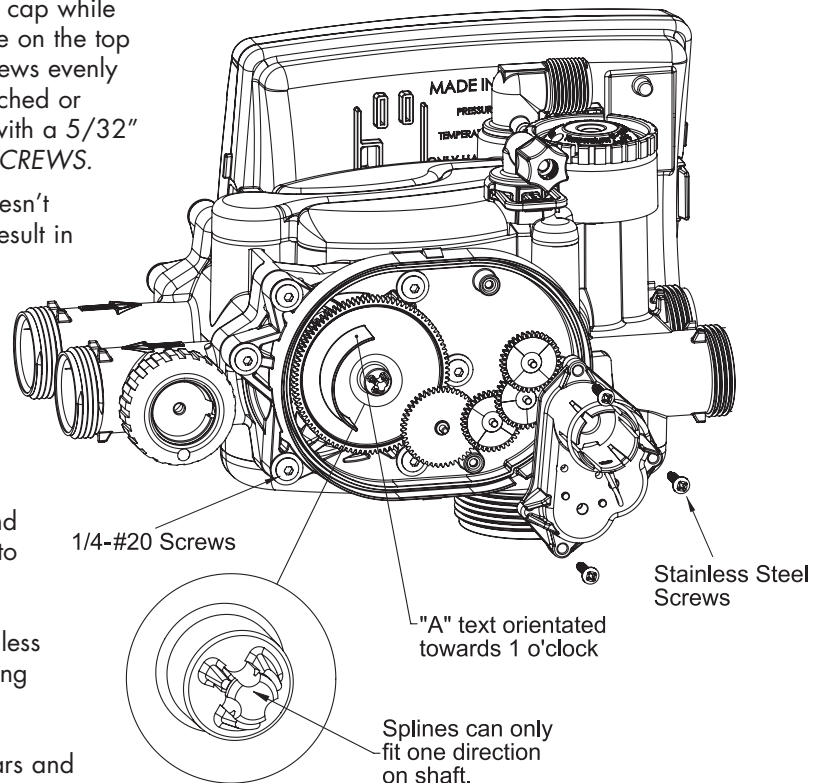
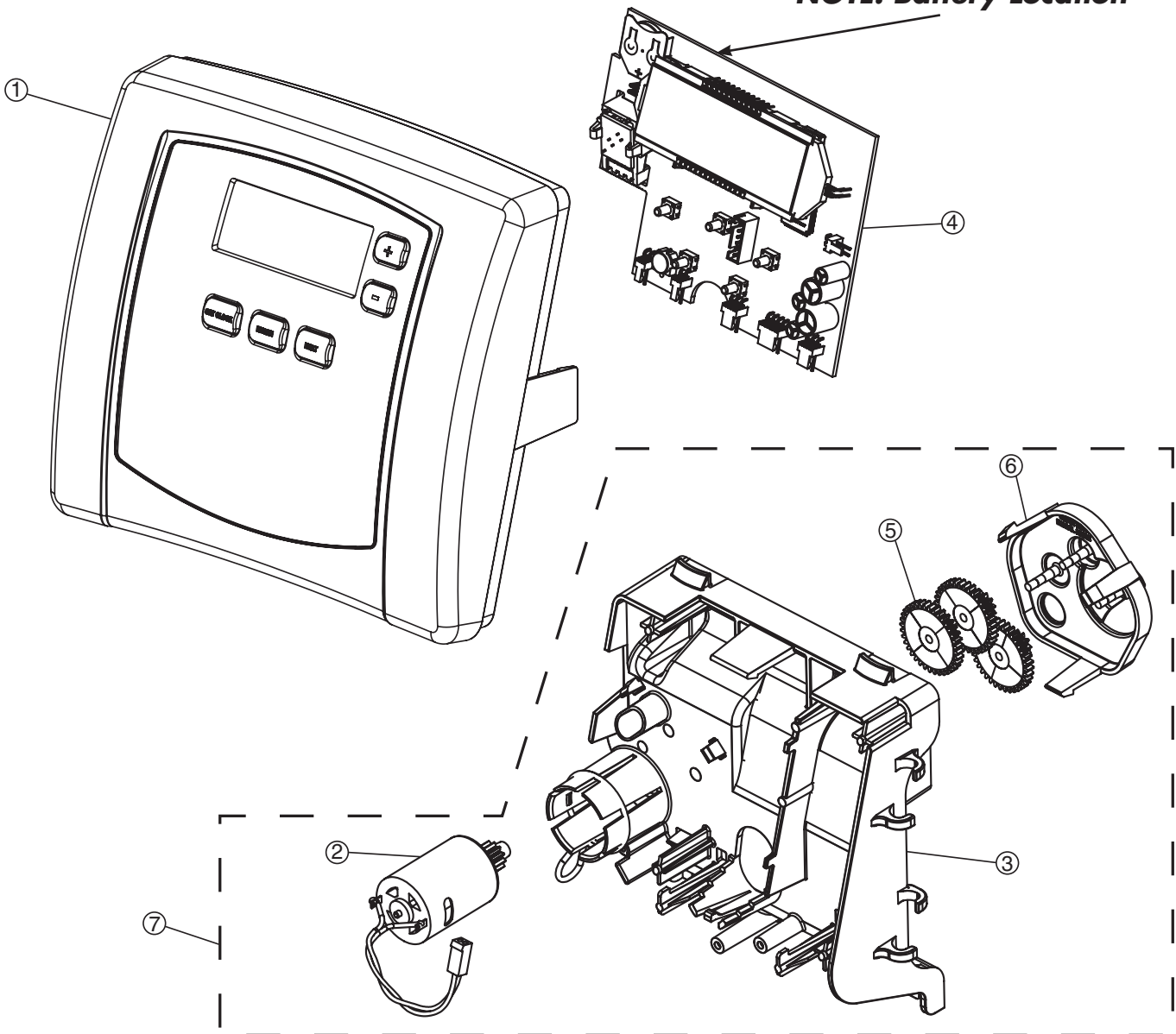


FIGURE 3

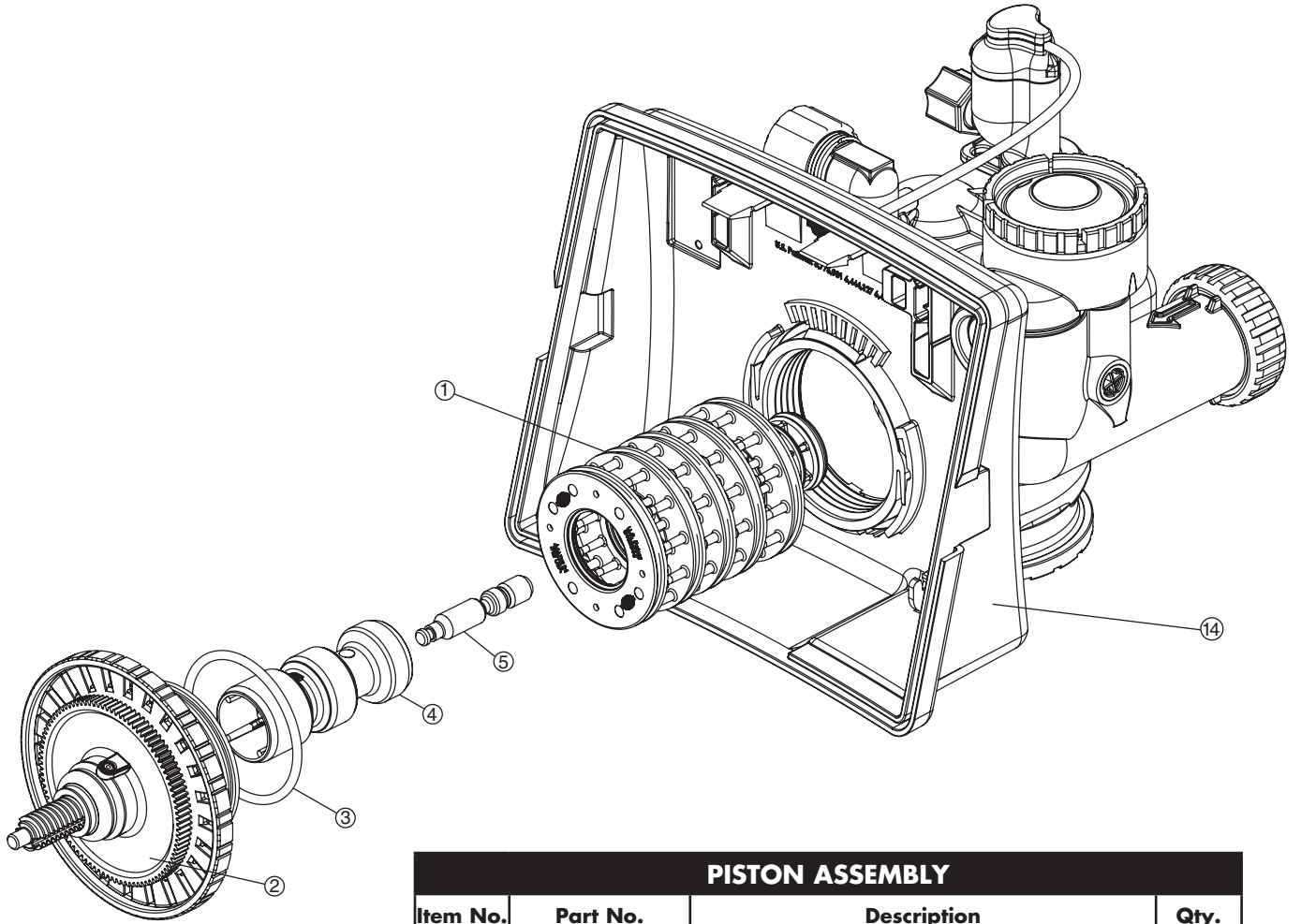
Replacement Parts

FRONT COVER AND DRIVE ASSEMBLY			
Item No.	Part No.	Description	Qty.
1	CV3540-NOLAB	Black cover	1
2	CV3107-1	Motor	1
3	CV3106-1	Drive bracket & spring clip	1
4	CV3502WE	PC board (used on chlorine generator models)	1
	CV4022WU	PC board (standard)	1
5	CV3110	Drive gear, 12 x 36	3
6	CV3109	Drive gear cover	1
7	CV3002CC	Drive assembly, CC	-
not shown	CV3526	Transformer, 110V-15V, DC (used on chlorine generator models)	1
	CV3186	Transformer, 110V-12V, AC (standard)	1
	CV3543	<i>Optional</i> weather cover	1

NOTE: Battery Location

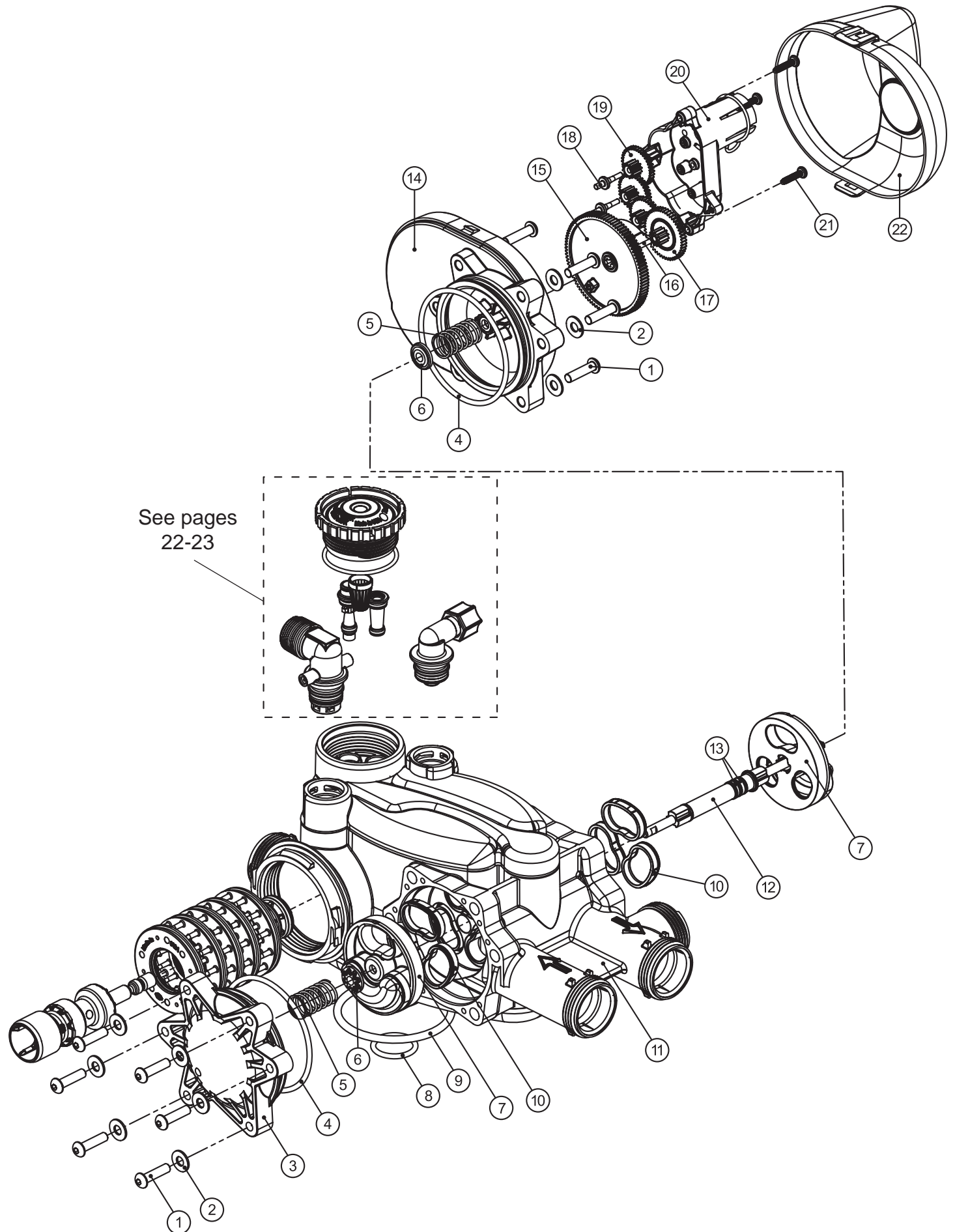


Replacement Parts



PISTON ASSEMBLY			
Item No.	Part No.	Description	Qty.
1	CV3005	1" spacer stack assembly	1
2	CV3004	Drive cap assembly	1
3	CV3135	O-ring 228	1
4	CV3011	1" piston assembly downflow	1
	CV3011-01	1" piston assembly upflow	1
	CV3407	1.25" piston assembly downflow	1
5	CV3174	Regenerant piston	1
14	CV3541	Drive backplate	1

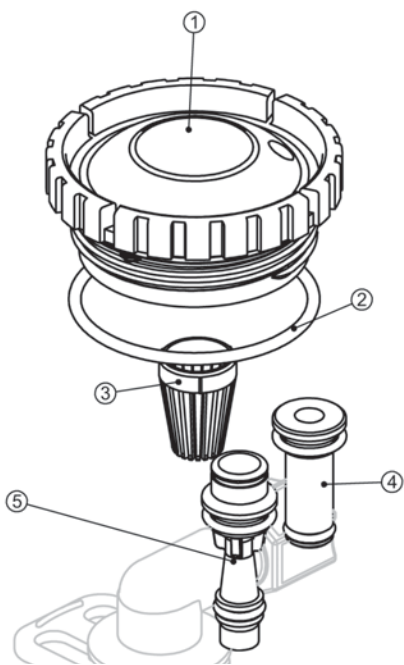
Replacement Parts



Replacement Parts

TWIN TRANSFER			
Item No.	Part No.	Description	Qty.
1	CV3470	Screw, BHC 1/4-20 x 1 SS	12
2	CV3724	Washer, flat SS 1/4	12
3	CV4005-01	T1 transfer cap assembly	1
4	CV4029	O-ring 236	2
5	CV4015	T1 transfer spring	2
6	CV4014	T1 transfer spring support	2
7	CV4036	T1 rotor disk assembly	2
8	CV3105	O-ring 215 (distributor tube)	1
9	CV3180	O-ring 337	1
10	CV4016	T1 transfer seal	6
11	CV3031	T1 body sft wtr regen	1
12	CV4023	T1 transfer drive shaft assembly	1
13	CV3287	O-ring 110	2
14	CV4006-01	T1 transfer drive cap assembly	1
15	CV4011-01	T1 transfer drive gear assembly	1
16	CV4012	T1 transfer drive gear axle	1
17	CV4013	T1 transfer reduction gear	1
18	CV3264	WS2H bypass reduction gear axle	3
19	CV3110	WS1 drive reducing gear 12 x 36	3
20	CV3262-01	WS1.5 & 2 ALT/2BY reduction gear cover assembly	1
21	CV3592	Screw, #8-1 PHPN T-25 SS	3
22	CV4049	T1 cover assembly	1
not shown	CV4043	T1 transfer motor assembly	1
not shown	CV3151	WS1 nut 1 QC	1
not shown	CV4055*	Twin tank meter assembly	1
not shown	CV4017-01	T1 interconnect fitting assembly	1
not shown	D1400	1191 In/Out head	1
* This water meter should not be used as the primary monitoring device for critical or health effect applications.			

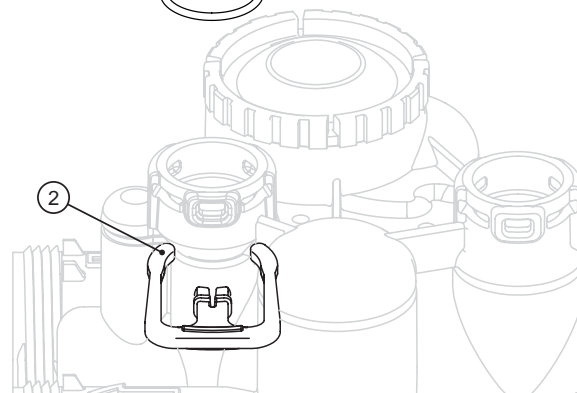
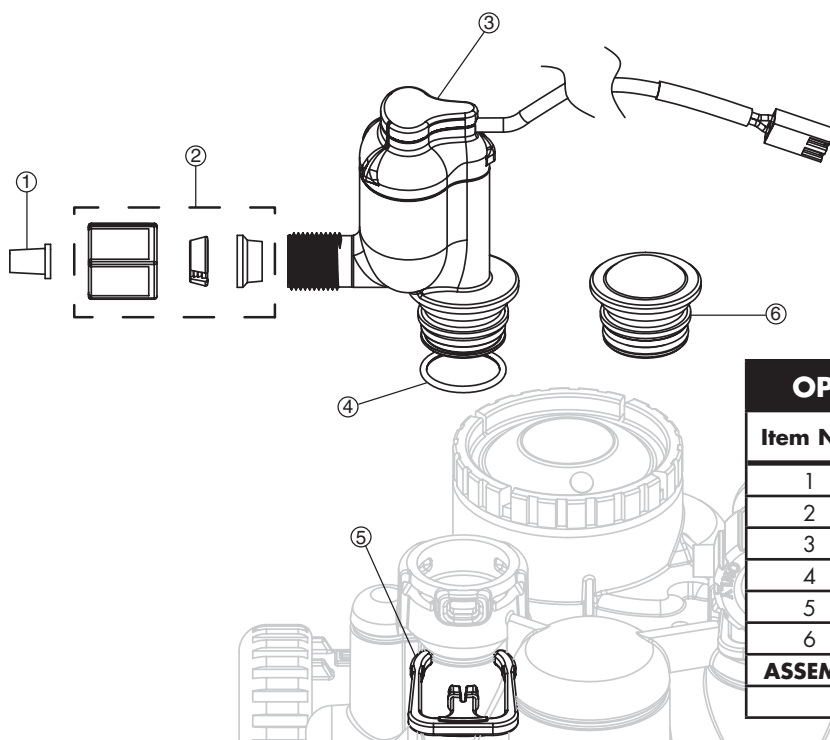
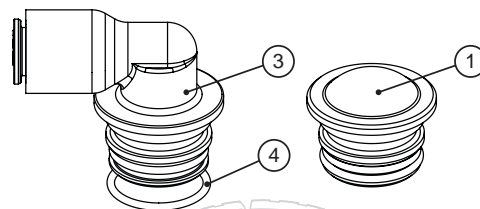
Replacement Parts



INJECTOR ASSEMBLIES			
Item No.	Part No.	Description	Qty.
1	CV3176	Injector cap	1
2	CV3152	O-ring 135	1
3	CV3177-01	Injector screen	1
4	CV3010-1Z	Injector assembly plug	1
5	CV3010-1A	A injector assembly, BLACK	1
	CV3010-1B	B injector assembly, BROWN	
	CV3010-1C	C injector assembly, VIOLET	
	CV3010-1D	D injector assembly, RED	
	CV3010-1E	E injector assembly, WHITE	
	CV3010-1F	F injector assembly, BLUE	
	CV3010-1G	G injector assembly, YELLOW	
	CV3010-1H	H injector assembly, GREEN	
	CV3010-1I	I injector assembly, ORANGE	
	CV3010-1J	J injector assembly, LIGHT BLUE	
CV3010-1K	K injector assembly, LIGHT GREEN		
not shown	CV3170	O-ring 011, lower	*
not shown	CV3171	O-ring 013, upper	*

* The injector plug and the injector each use one lower and one upper o-ring

BRINE ELBOW ASSEMBLY			
Item No.	Part No.	Description	Qty.
1	CV3195-01	Refill port plug assembly	1
2	CH4615	Elbow locking clip	1
3	CV4144	3/8" Elbow, Parker fitting	1
4	CV3163	O-ring 019	1

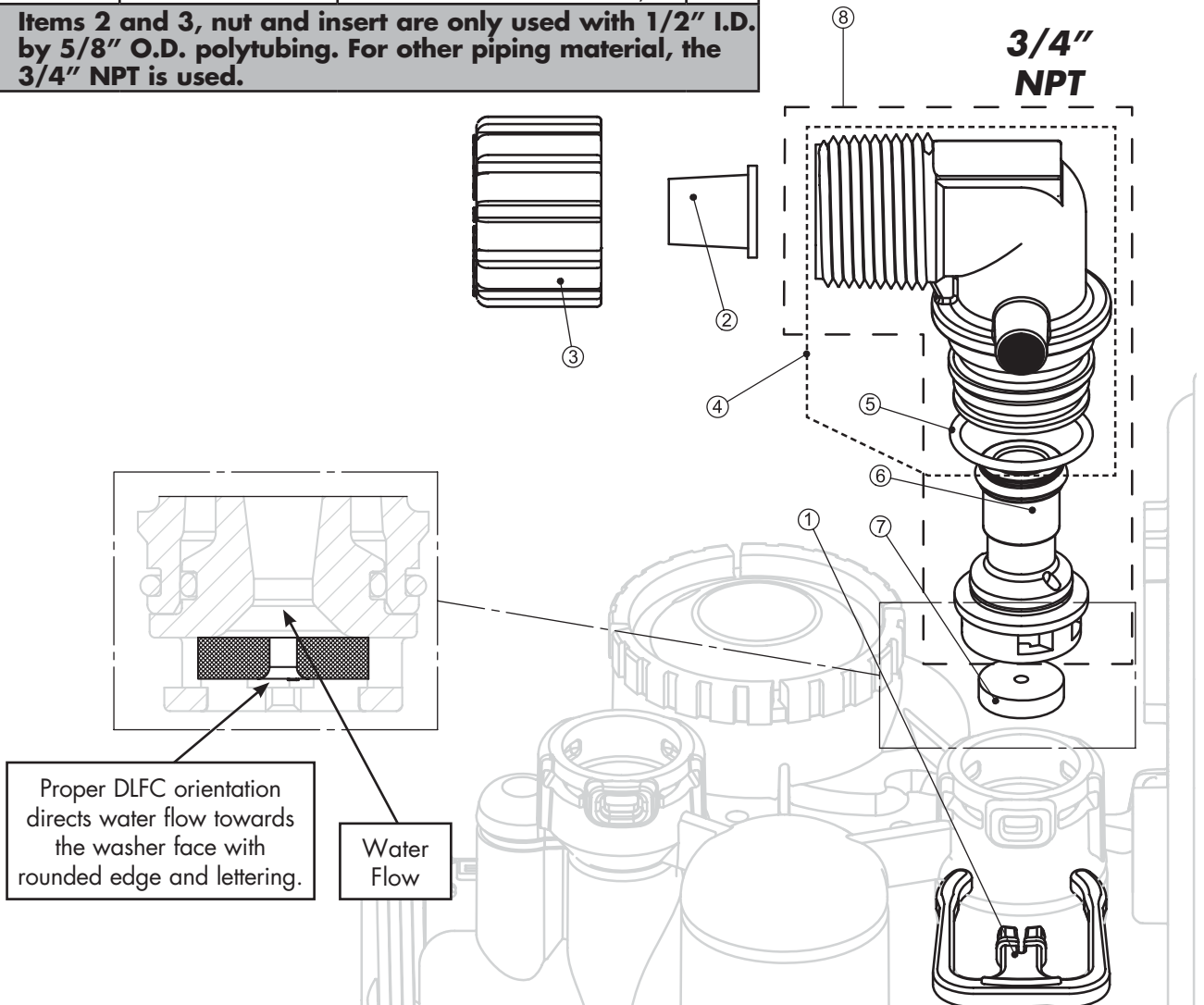


OPTIONAL CHLORINE GENERATOR ASSEMBLY			
Item No.	Part No.	Description	Qty.
1	CS1197	Polytube 3/8" insert	1
2	JCPG-6PBLK	Nut compression, 3/8" black	1
3	CV3395	Chlorinator, NPT WR body assembly	1
4	CV3163	O-ring 019	1
5	CH4615	Locking clip	1
6	CV3195-01	Refill port plug assembly	1
ASSEMBLIES			
	CV3395-A	Complete chlorinator assembly	1

Replacement Parts

DRAIN LINE ASSEMBLY 3/4"			
Item No.	Part No.	Description	Qty.
1	CH4615	Elbow locking clip	1
2	CPKP10TS8-BULK	<i>Optional</i> insert, 5/8" tube	1
3	CV3192	<i>Optional</i> nut, 3/4" drain elbow	1
4	CV3158-02	Drain elbow, 3/4" NPT with O-ring	1
5	CV3163	O-ring 019	1
6	CV3159-01	DLFC retainer assembly	1
7	CV3162-007	0.7 DLFC for 3/4" elbow	1
	CV3162-010	1.0 DLFC for 3/4" elbow	
	CV3162-013	1.3 DLFC for 3/4" elbow	
	CV3162-017	1.7 DLFC for 3/4" elbow	
	CV3162-022	2.2 DLFC for 3/4" elbow	
	CV3162-027	2.7 DLFC for 3/4" elbow	
	CV3162-032	3.2 DLFC for 3/4" elbow	
	CV3162-042	4.2 DLFC for 3/4" elbow	
	CV3162-053	5.3 DLFC for 3/4" elbow	
	CV3162-065	6.5 DLFC for 3/4" elbow	
	CV3162-075	7.5 DLFC for 3/4" elbow	
CV3162-090	9.0 DLFC for 3/4" elbow		
CV3162-100	10.0 DLFC for 3/4" elbow		
8	CV3331	Drain elbow and retainer assembly	

Items 2 and 3, nut and insert are only used with 1/2" I.D. by 5/8" O.D. polytubing. For other piping material, the 3/4" NPT is used.

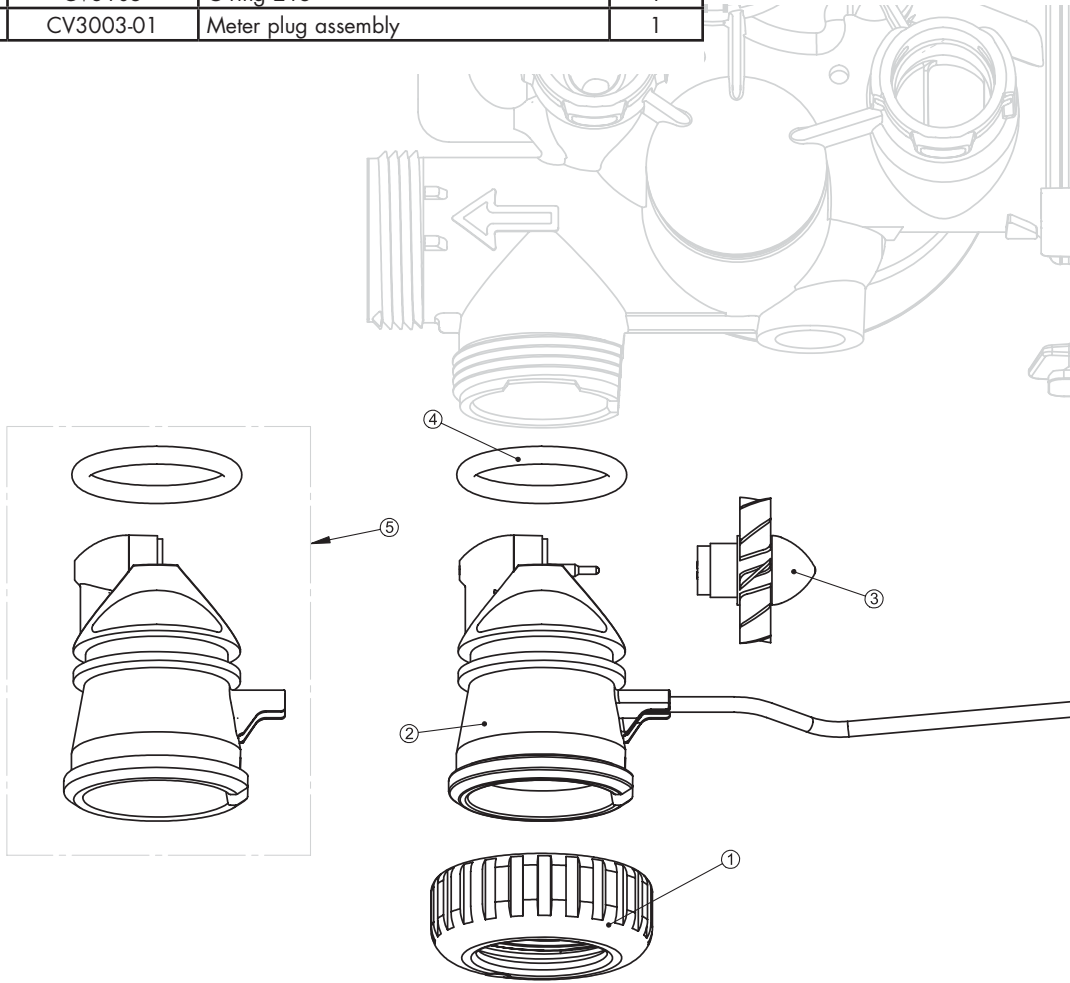


Proper DLFC orientation directs water flow towards the washer face with rounded edge and lettering.

Water Flow

Replacement Parts

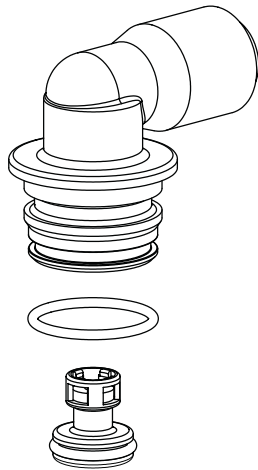
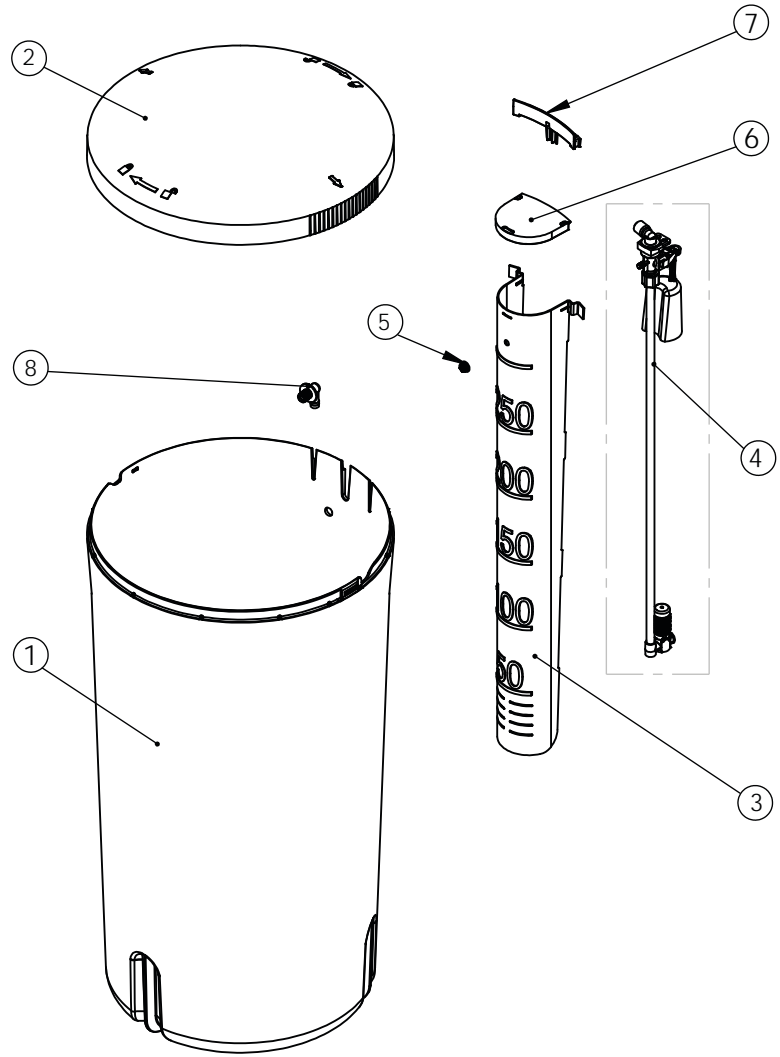
WATER METER & METER PLUG			
Item No.	Part No.	Description	Qty.
1	CV3151	Nut, 1" QC	1
2	CV3003	Meter assembly, includes items 3 & 4	1
3	CV3118-01	Turbine assembly	1
4	CV3105	O-ring 215	1
5	CV3003-01	Meter plug assembly	1



Replacement Parts

BRINE TANK ASSEMBLY

Item #	Current Part #	Description	Qty.
1	100379336	19" x 37" Brine tank	1
2	100379337	Brine tank lid	1
3	100379338	Brine well	1
4	100399465	Safety shutoff assembly, 0.5 gpm	1
5	100245864	Safety shutoff nut	1
6	100379339	Brine well cover	1
7	100397461	Brine well retainer	1
8	100238195	Cabinet overflow elbow	1



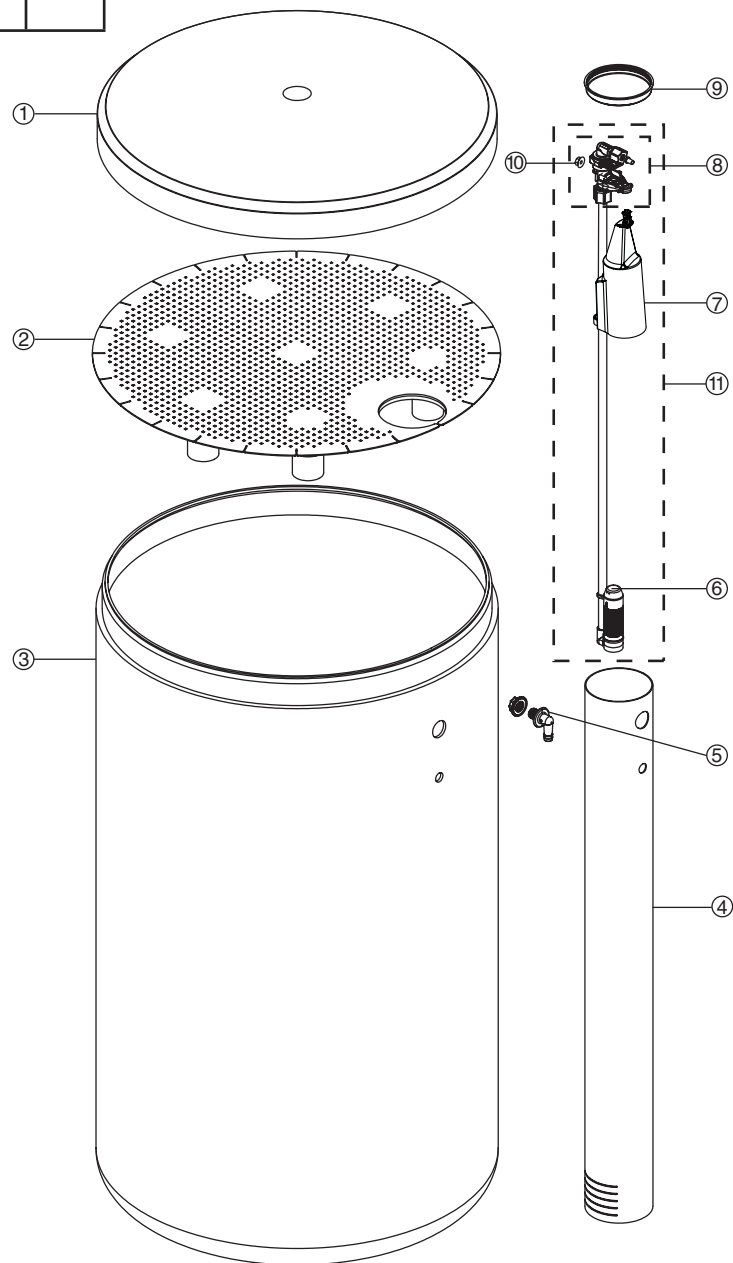
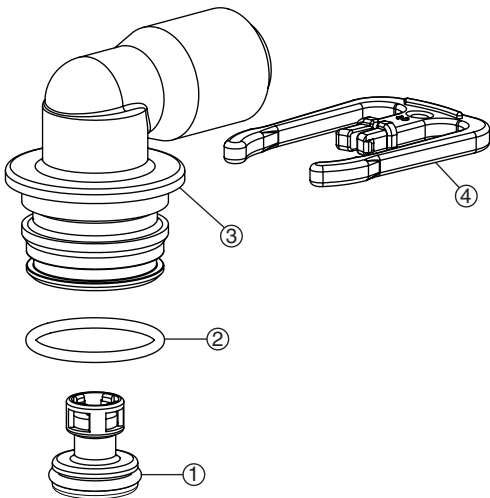
SAFETY FLOAT BRINE ELBOW

Item #	Legacy Part #	Current Part #	Description	Qty.
	CV4144	100245015	3/8" elbow cap, Parker fitting (no flow control)	1
	CV4144-03	100242646	3/8" elbow cap, Parker fitting (w/flow control)	1
	CH4612	100245861	1/2" elbow cap	1

Replacement Parts

BRINE TANK ASSEMBLY

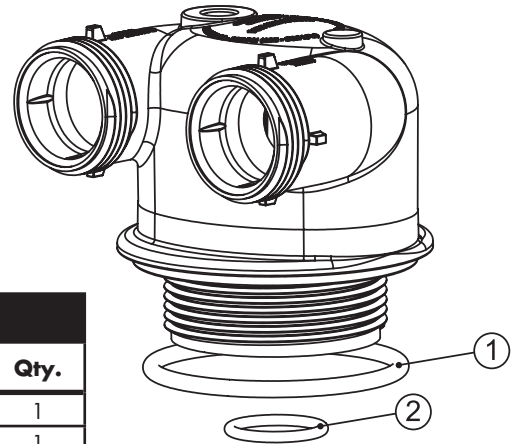
Item No.	Part No.	Description	Qty.
	CG2180	Brine tank cover, standard	1
	CH1080	Optional 24" diameter salt grid	1
	CG22441CB1C00	24" x 41" brine tank, black	1
4	CH1030-29S	4" x 29" slotted brine well (18 x 33 BT)	1
	CH1030-36S	4" x 36" slotted brine well (18 x 40, 24 x 40 BT's)	1
5	CH1018	2 piece overflow set	1
6	CH4500-48	474 air check assembly, 1/2" x 48"	1
7	CH4640-32	474 float assembly, 32" w/ 2 grommets	1
8	CH4600-50	474 safety brine valve w/ .5 gpm glow control	1
9	CH7016	Cap 4" brine well	1
10	CH4626	Nut safety brine valve stand off	1
ASSEMBLIES			
11	CH4700-29WR-1	.5 gpm safety float assembly, 18" x 33"	
	CH4700-36.5WR-1	.5 gpm safety float assembly, 18" x 40"	



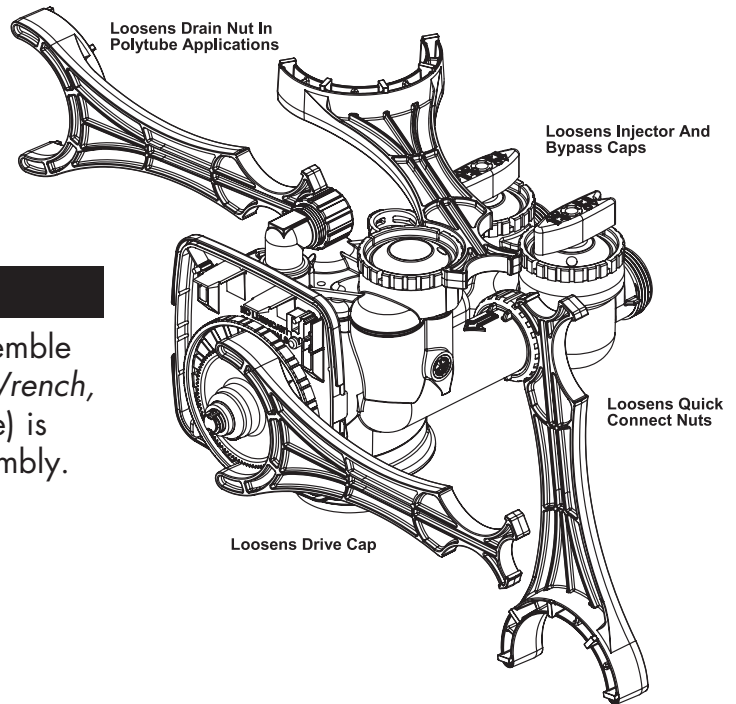
SAFETY FLOAT BRINE ELBOW

Item No.	Part No.	Description	Qty.
1	CH4655	474 .5 gpm flow control	1
2	CV3163	O-Ring 019	1
3	CV4144	3/8" elbow cap, Parker fitting	1
	CH4612	1/2" elbow cap	1
4	CH4615	Elbow locking clip	1

Replacement Parts



IN/OUT HEAD (FOR TANK B)			
Item No.	Part No.	Description	Qty.
	CD1400	1191 In/Out head (includes O-rings)	1
1	CV3180	O-ring 337	1
2	CV3105	O-ring 215	1

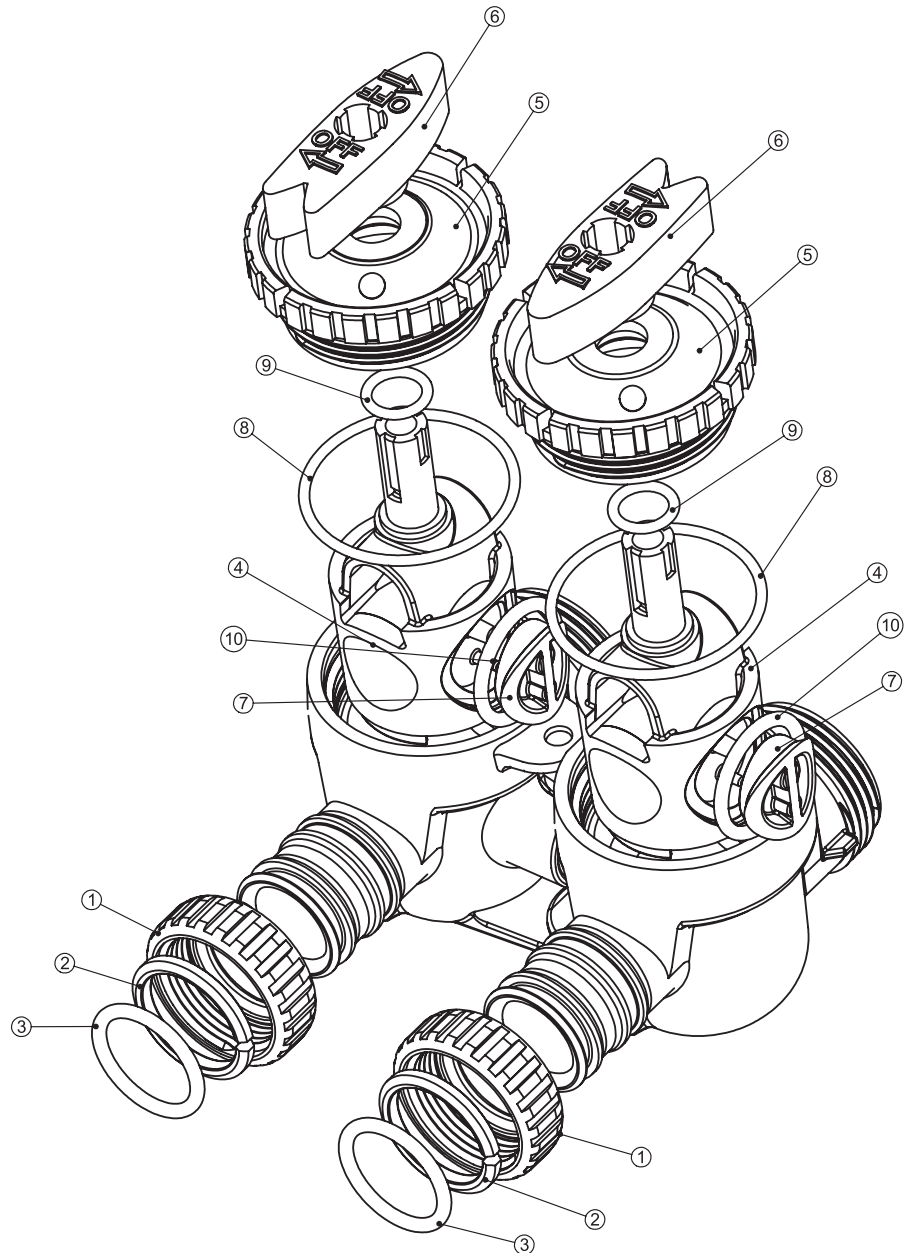


SERVICE WRENCH - CV3193-02

Although no tools are necessary to assemble or disassemble the valve, the *Service Wrench*, (shown in various positions on the valve) is available to aid in assembly or disassembly.

Replacement Parts

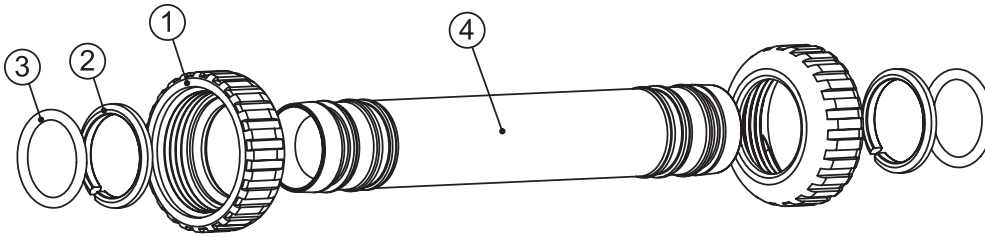
BYPASS VALVE			
Item No.	Part No.	Description	Qty.
1	CV3151	Nut, 1" quick connect	2
2	CV3150	Split ring	2
3	CV3105	O-ring 215	2
4	CV3145	Bypass rotor, 1"	2
5	CV3146	Bypass cap	2
6	CV3147	Bypass handle	2
7	CV3148	Bypass rotor seal retainer	2
8	CV3152	O-ring 135	2
9	CV3155	O-ring 112	2
10	CV3156	O-ring 214	2



Installation Fitting Assemblies

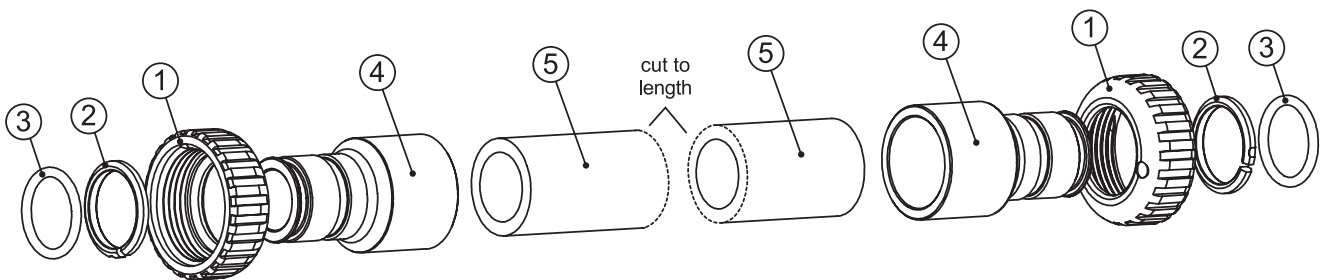
Fitting Installation Instructions

- Installation fittings are designed to accommodate minor plumbing misalignments, but are not designed to support the weight of a system or the plumbing.
- Slide nut on first, then the split ring and O-ring.
- Hand tighten the nut only.



INTERCONNECT FITTING ASSEMBLY (UP TO 10" TANKS)

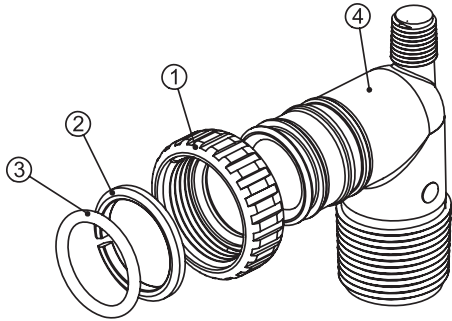
Item No.	Part No.	Description	Qty.
	CV4017-01	Interconnect kit for tanks up to 10"	1
1	CV3151	Nut, 1" QC	4
2	CV3150	Split ring	4
3	CV3105	O-ring 215	4
4	CV4017	Interconnect fitting	2



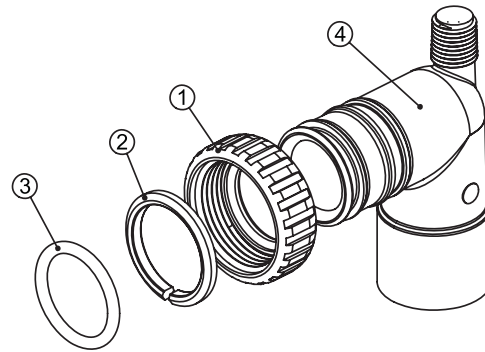
INTERCONNECT FITTING ASSEMBLY (12" & LARGER TANKS)

Item No.	Part No.	Description	Qty.
	CV4052-01	Interconnect kit for tanks 12" and larger	1
1	CV3151	Nut, 1" QC	4
2	CV3150	Split ring	4
3	CV3105	O-ring 215	4
4	CV3352	1-1/4" & 1-1/2" PVC solvent fitting	4
5	CV4052	Pipe, PVC SCH 80 1-1/4" x 20"	2

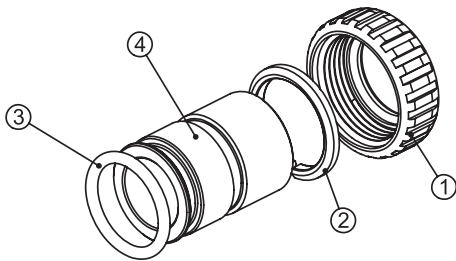
Installation Fitting Assemblies



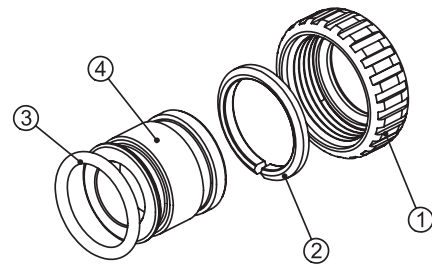
1" PVC MALE NPT ELBOW			
Item No.	Part No.	Description	Qty.
	CV3007	1" PVC male NPT elbow assembly	2
1	CV3151	Nut, 1" quick connect	2
2	CV3150	Split ring	2
3	CV3105	O-ring 215	2
4	CV3149	Fitting	2



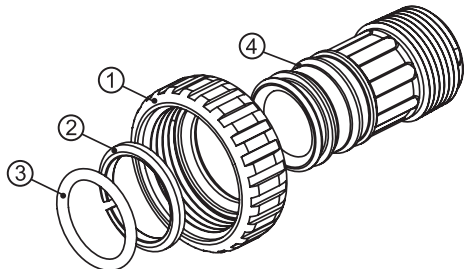
3/4" & 1" PVC SOLVENT ELBOW			
Item No.	Part No.	Description	Qty.
	CV3007-01	3/4" & 1" PVC solvent elbow assembly	2
1	CV3151	Nut, 1" quick connect	2
2	CV3150	Split ring	2
3	CV3105	O-ring 215	2
4	CV3189	Fitting	2



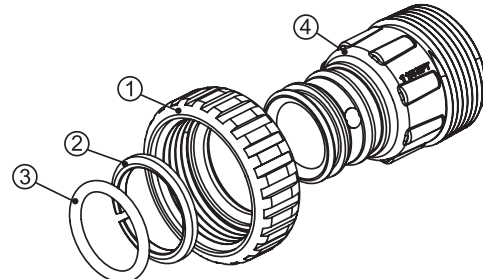
1" BRASS SWEAT			
Item No.	Part No.	Description	Qty.
	CV3007-02	1" brass sweat assembly	2
1	CV3151	Nut, 1" quick connect	2
2	CV3150	Split ring	2
3	CV3105	O-ring 215	2
4	CV3188	Fitting	2



3/4" BRASS SWEAT			
Item No.	Part No.	Description	Qty.
	CV3007-03	3/4" brass sweat assembly	2
1	CV3151	Nut, 1" quick connect	2
2	CV3150	Split ring	2
3	CV3105	O-ring 215	2
4	CV3188-01	Fitting	2

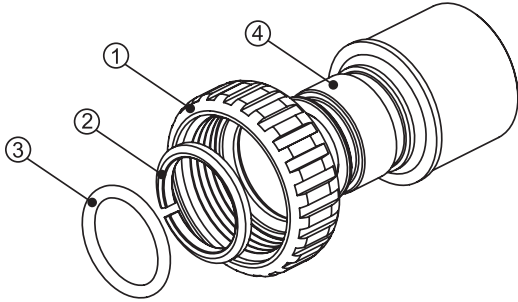


1" PLASTIC MALE NPT			
Item No.	Part No.	Description	Qty.
	CV3007-04	1" plastic male NPT assembly	2
1	CV3151	Nut, 1" quick connect	2
2	CV3150	Split ring	2
3	CV3105	O-ring 215	2
4	CV3164	Fitting	2

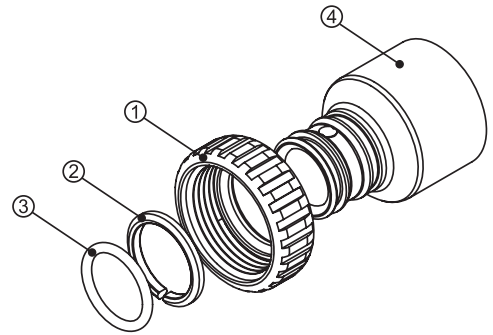


1-1/4" PLASTIC MALE			
Item No.	Part No.	Description	Qty.
	CV3007-05	1-1/4" plastic male assembly	2
1	CV3151	Nut, 1" quick connect	2
2	CV3150	Split ring	2
3	CV3105	O-ring 215	2
4	CV3317	Fitting	2

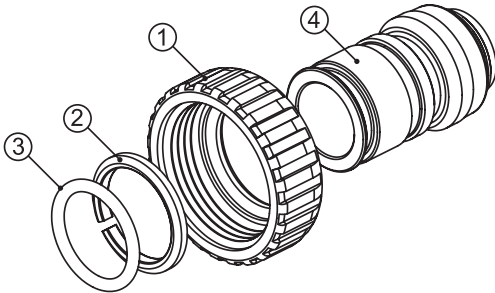
Installation Fitting Assemblies



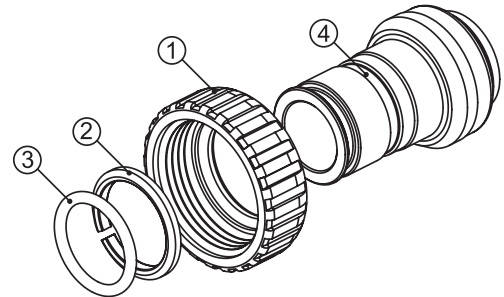
1-1/4" & 1-1/2" BRASS SWEAT			
Item No.	Part No.	Description	Qty.
	CV3007-09	1-1/4 & 1-1/2" brass sweat assembly	2
1	CV3151	Nut, 1" quick connect	2
2	CV3150	Split ring	2
3	CV3105	O-ring 215	2
4	CV3375	Fitting	2



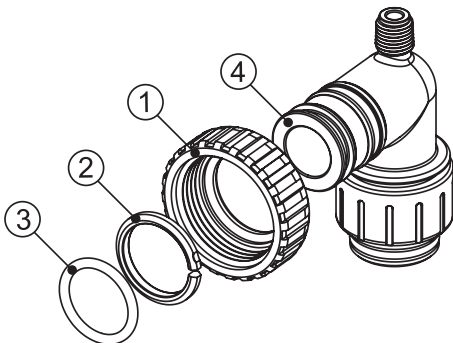
1-1/4" & 1-1/2" PVC SOLVENT			
Item No.	Part No.	Description	Qty.
	CV3007-07	1-1/4" & 1-1/2" PVC solvent assembly	2
1	CV3151	Nut, 1" quick connect	2
2	CV3150	Split ring	2
3	CV3105	O-ring 215	2
4	CV3352	Fitting	2



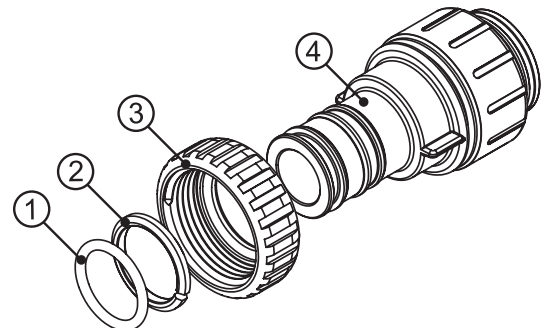
3/4" BRASS SHARK BITE			
Item No.	Part No.	Description	Qty.
	CV3007-12	3/4" brass Shark Bite assembly	2
1	CV3151	Nut, 1" quick connect	2
2	CV3150	Split ring	2
3	CV3105	O-ring 215	2
4	CV3628	Fitting	2



1" BRASS SHARK BITE			
Item No.	Part No.	Description	Qty.
	CV3007-13	1" brass Shark Bite assembly	2
1	CV3151	Nut, 1" quick connect	2
2	CV3150	Split ring	2
3	CV3105	O-ring 215	2
4	CV3629	Fitting	2



3/4" JOHN GUEST ELBOW			
Item No.	Part No.	Description	Qty.
	CV3007-15	3/4" John Guest elbow assembly	2
1	CV3151	Nut, 1" quick connect	2
2	CV3150	Split ring	2
3	CV3105	O-ring 215	2
4	CV3790	Fitting	2



1" JOHN GUEST			
Item No.	Part No.	Description	Qty.
	CV3007-17	1" John Guest elbow assembly	2
1	CV3151	Nut, 1" quick connect	2
2	CV3150	Split ring	2
3	CV3105	O-ring 215	2
4	CV4045	Fitting	2

This page intentionally left blank.

C40 Twin Specifications

MODEL		0024-10	0030-10	0045-10	0075-10	0090-10	0120-10
¹ Capacity: (Grains/Lbs. NaCl)	Maximum	25,600 @ 9.0	32,000 @ 15.0	48,800 @ 21.0	72,800 @ 24.0	90,000 @ 45.0	120,000 @ 60.0
	Medium	21,600 @ 6.0	28,400 @ 9.0	44,400 @ 15.0	64,200 @ 18.0	75,000 @ 30.0	100,000 @ 40.0
	Minimum	15,600 @ 3.0	23,600 @ 6.0	35,400 @ 9.0	53,000 @ 12.0	60,000 @ 18.0	80,000 @ 24.0
Amount of Resin Media (Cu. Ft.)		.85	1.0	1.5	2.5	3	4
Maximum Water Hardness (GPG)		50	75	100	100	100	100
² Minimum pH Required		7.0	7.0	7.0	7.0	7.0	7.0
³ Peak Flow Rate (GPM @ P-PSI)		11.4 @ 15.0	17.1 @ 15.0	14.3 @ 15.0	18.5 @ 15.0	27.0 @ 25.0	29.0 @ 25.0
Continuous Flow Rate (GPM @ P-PSI)		5.0 @ 5.4	5.0 @ 2.8	5.0 @ 3.8	5.0 @ 2.4	20.0 @ 15.0	22.0 @ 15.0
Water Pressure Range (PSI)		30-100	30-100	30-100	30-100	30-100	30-100
Water Temperature (°F)		33-100	33-100	33-100	33-100	33-100	33-100
Electrical Requirements (volts-hertz)		110-50/60	110-50/60	110-50/60	110-50/60	110-50/60	110-50/60
Pipe Size		1"	1"	1"	1"	1"	1"
Total Dimensions:	Media Tank and Valve	27"W x 52"H	29"W x 52"H	29"W x 62"H	31"W x 62"H	32"W x 74"H	34"W x 74"H
	Brine Tank	19"W x 37"H	19"W x 37"H	19"W x 37"H	19"W x 37"H	19"W x 37"H	24"W x 41"H

Only the 0030-10 through the 0075-10 sizes are approved in the state of Wisconsin.

¹ All water softeners are factory preset at medium salting.
Note: Influent waters must be at least 3 GPG hardness and 80 TDS. A calcite or corosex unit may be needed for correct operation. Capacity will be reduced by the gallons used during regeneration.

² The pH listed is the minimum for the influent water.

³ Unit not tested for capacity at these peak flow rates. Water quality may vary.



This page intentionally left blank.

A. O. Smith Commercial Limited Warranty

WHO IS COVERED

This limited warranty is provided by A. O. Smith and applies only to the original owner who purchased and installed the A. O. Smith product for use at the original installation site. This warranty is non-transferable.

WHAT IS COVERED

This warranty covers defects in materials or workmanship in your A. O. Smith product when properly installed, used under normal operating conditions, and maintained according to A. O. Smith guidelines and local plumbing codes.

WARRANTY COVERAGE PERIODS

All warranty coverage periods run from the date of purchase, or 60 days after the date of manufacture if the purchase date cannot be verified.

For a period of FIVE YEARS: Complete valve.

Brine tank.

Media tank – except for damages due to freezing, high pressure (120 PSI and above), extreme temperature (100° F and above) or a vacuum on the system.

For a period of ONE YEAR: All other parts and components.

This warranty does not cover any equipment purchased for use in applications in which the product is not suited. It is the responsibility of the buyer to determine if a product is suitable for a particular application.

WHAT A. O. SMITH WILL DO

If a component is found defective during its warranty period, A. O. Smith will repair or replace the defective part at its discretion with an identical part or a comparable part if an identical replacement is not available. The owner is responsible for freight charges from the factory and local dealer service or labor fees. The warranty period for any replacement will run for the balance of the original warranty period.

WHAT A. O. SMITH WILL NOT DO

A. O. Smith will not pay for labor to remove or reinstall parts, shipping damage, water damage resulting from system failure, dealer trip charges, unauthorized service, damage caused by failure to follow installation instructions, or replacement filters, media, or routine maintenance.

WHAT IS NOT COVERED

1. This warranty does not cover: damage caused by accident, misuse, neglect, fire, flood, freezing, or other acts of God, improper installation, alteration, vacuum damage, chemicals, operation outside specifications, cosmetic issues, non-A. O. Smith parts, installation costs, improper plumbing connections, lack of maintenance, use with water that is microbiologically unsafe, loss of use, property damage, incidental or consequential damages, freight, or water damage. A. O. Smith disclaims all implied warranties to the fullest extent permitted by law.
2. Except when specifically prohibited by the applicable state law, the Owner, and not the Manufacturer, shall be liable for and shall pay for all charges for labor or other expenses incurred in the removal, repair or replacement of any component part(s) claimed to be defective or any expense incurred to remedy any defect in the product. Such charges may include, but are not necessarily limited to:
 - a. All freight, shipping, handling and delivery costs of forwarding a new component or replacement part(s) to the owner.
 - b. All costs necessary or incidental in removing the defective component part(s) and installing a new component part(s).
 - c. Any material required to complete, and/or permits required for, installation of a new component or replacement part(s).
 - d. All costs necessary or incidental in returning the defective component part(s) to a location designated by the Manufacturer.
 - e. This warranty provides specific legal rights and limitations, but you may have other rights under applicable state law.

OWNER RESPONSIBILITIES

Owners must install and operate the system per A. O. Smith specifications, comply with local codes, prevent freezing or vacuum damage, operate within pressure/temperature limits, replace media/filters as required, use only approved components, and retain proof of purchase and installation date. Either proof of purchase from an authorized dealer or proof of serial number, along with proof of proper installation, will be required to obtain warranty coverage.

HOW TO OBTAIN SERVICE

If service is required, contact your installation dealer or an authorized A. O. Smith dealer. If unavailable, ship the defective component (freight prepaid) to: **A. O. Smith, 1000 Prospect Ct., Appleton, WI 54914**. A. O. Smith will return repaired or replaced parts freight collect. Registration is not required to be covered by this warranty.

LIMITATION OF REMEDIES

The owner's sole remedy is repair or replacement of defective parts. A. O. Smith is not liable for incidental, consequential, water, or property damages. Some states do not allow such limitations; in such states, these may not apply.

STATE LAW RIGHTS

This warranty provides specific legal rights; additional rights may vary by state.

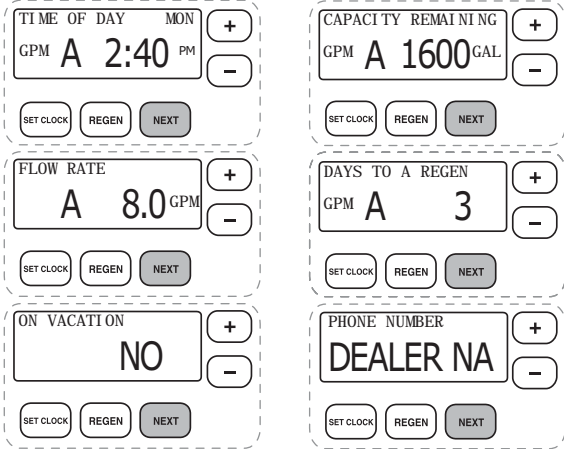
Quick Reference Guide

GENERAL OPERATION

When the system is operating, one of six displays will be shown:

1. time of day/gpm
2. flow rate
3. vacation mode
4. capacity remaining
5. days to a regen
6. dealer name and phone number (optional screen)

Pressing **NEXT** will toggle between the six choices.



MANUAL REGENERATION

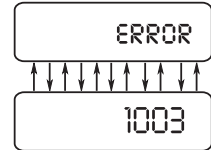
NOTE: For softeners, if brine tank does not contain salt, fill with salt and wait at least two hours before regeneration. If you need to initiate a manual regeneration immediately, press and hold **REGEN** until valve motor starts (typically 3 seconds).

REGEN TODAY and **TIME OF DAY** will flash alternately if a regeneration is expected tonight.



ERROR

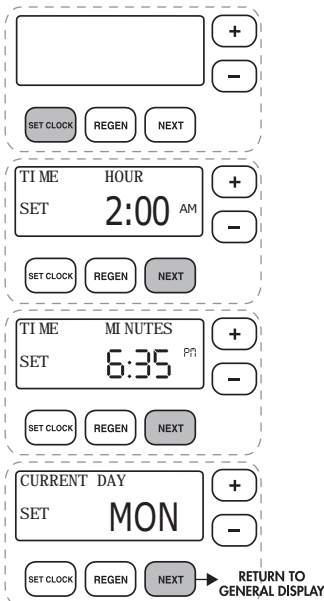
If the display toggles between "Error" and an error code (i.e. a number), call a service technician and report the error code.



TO SET TIME OF DAY

In the event of a prolonged power outage, time of day flashes, indicating that this needs to be reset. All other information will be stored in memory no matter how long the power outage.

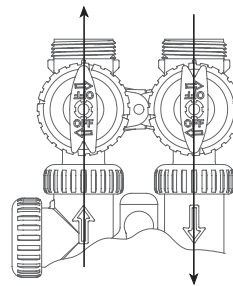
1. Accessed by pressing **SET CLOCK**
2. Adjust hours with **+** and **-** buttons, AM/PM toggles at 12
3. Press **NEXT**
4. Adjust minutes with **+** and **-** buttons
5. Press **NEXT**
6. Adjust current day with **+** and **-** buttons
7. Press **NEXT** to complete and return to normal operation



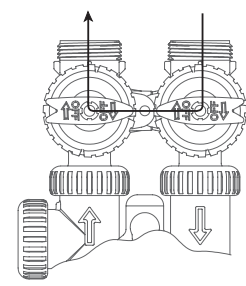
BYPASS VALVE OPERATION

To shut off water to the system, position arrow handles as shown in the bypass operation diagram below. If your valve doesn't look like the diagram below, contact your service technician for instructions on how to shut off water.

NORMAL OPERATION
"TREATED" WATER EXITS
SUPPLY WATER ENTERS



BYPASS OPERATION
SUPPLY WATER EXITS
SUPPLY WATER ENTERS

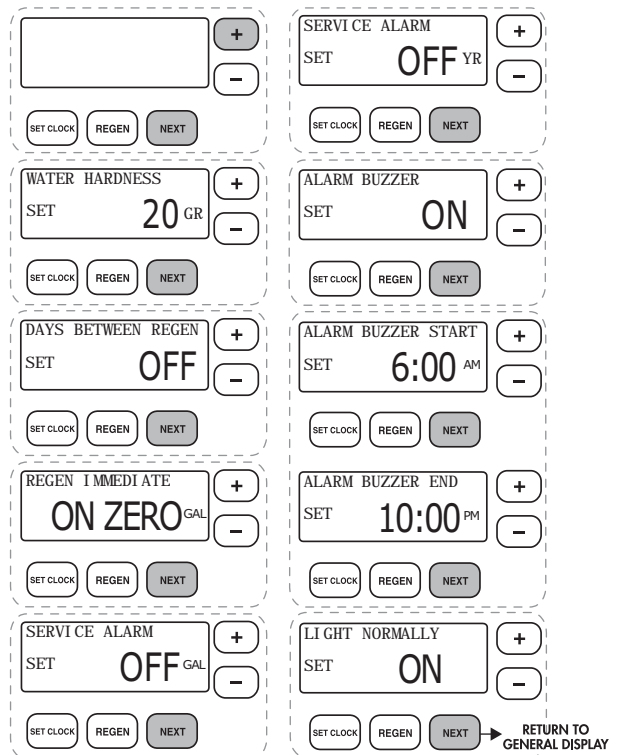


Quick Reference Guide

ADJUST HARDNESS, DAYS BETWEEN REGENERATION, TIME OF REGENERATION AND ALARM BUZZER

For initial set-up or to make adjustments, please complete the following steps.

1. Accessed by pressing **NEXT** and **+** button simultaneously
2. Adjust hardness using **+** and **-** buttons
3. Press **NEXT**
4. Adjust days between regenerations or number of times per day using **+** and **-** buttons
5. Press **NEXT**
6. Manufacturer has set regeneration to occur when zero gallons remain.
7. Press **NEXT**
8. Turn service alarm by gallons ON with **+** and **-** buttons. Default is OFF.
9. Press **NEXT**
10. Turn service alarm by time ON with **+** and **-** buttons. Default is OFF.
11. Press **NEXT** three times
12. Turn alarm buzzer ON or OFF with **+** and **-** buttons.
13. Press **NEXT**
14. Adjust alarm buzzer start time with **+** and **-** buttons.
15. Press **NEXT**
16. Adjust alarm buzzer end time with **+** and **-** buttons.
17. Press **NEXT**
18. Turn display backlight ON or OFF with **+** and **-** buttons. Default is ON.
19. Press **NEXT** to complete and return to normal operation.





1900 Prospect Court • Appleton, WI 54914
Phone: 920-739-9401 • Fax: 920-739-9406

