

Register your
appliance and join
the Bosch
family of perks:
[bosch-home.com/us/
mybosch](https://bosch-home.com/us/mybosch)



Gas cooktop

NGM5058UC **NGM5658UC**

[en-us]	Use and Care Manual	Gas cooktop	2
[fr-ca]	Manuel d'utilisation	Surface de cuisson au gaz	23

Table of contents

1 IMPORTANT SAFETY INSTRUCTIONS.....	3	13.2 How long the warranty lasts.....	20
1.1 Safety definitions.....	4	13.3 Repair/replace as your exclusive remedy.....	21
1.2 General information.....	4	13.4 Out of warranty product	21
1.3 Intended use	4	13.5 Warranty exclusions	21
1.4 Restriction on user group	4	13.6 Obtaining warranty service	22
1.5 Safe use.....	4		
1.6 Child safety	6		
1.7 Gas safety.....	7		
1.8 Proper installation and maintenance	7		
1.9 High altitude installation	8		
1.10 State of California Proposition 65 Warnings	8		
2 Preventing material damage	9		
3 Environmental protection and energy-saving	9		
3.1 Disposal of packaging	9		
3.2 Saving energy	9		
4 Familiarizing yourself with your appliance	10		
4.1 Appliance	10		
4.2 Control knobs.....	10		
4.3 Burner cap and burner base placement	11		
4.4 OptiSim® feature	12		
4.5 Burner grates	12		
4.6 Sealed burners.....	12		
4.7 Flame characteristics	12		
5 Accessories.....	14		
5.1 Accessories	14		
6 Cookware.....	15		
6.1 Suitable cookware.....	15		
6.2 Using cookware	15		
7 Operation.....	15		
7.1 Turning on a burner.....	15		
7.2 Manually igniting a burner	16		
7.3 Flame failure safety system.....	16		
7.4 Turning off a burner.....	16		
7.5 Normal behavior during operation	16		
8 Recommended cooking settings	16		
8.1 Cooking chart.....	16		
9 Cleaning and maintenance.....	16		
9.1 Cleaning the appliance.....	16		
9.2 Cleaning the burners.....	16		
9.3 Cleaning the burner grates.....	17		
9.4 Cleaning recommendations.....	17		
10 Troubleshooting.....	19		
11 Disposal.....	20		
11.1 Disposal of your old appliance	20		
12 Customer Service	20		
12.1 Model number (E-Nr.) and production number (FD)	20		
12.2 Rating plate location.....	20		
13 STATEMENT OF LIMITED PRODUCT WARRANTY	20		
13.1 What this warranty covers & Who it applies to.....	20		





IMPORTANT SAFETY INSTRUCTIONS

READ AND SAVE THESE INSTRUCTIONS

Read all instructions carefully before use. These precautions will reduce the risk of electrical shock, fire and injury to persons. When using kitchen appliances, basic safety precautions must be followed including those in the following pages.

⚠ WARNING: If the information in these instructions is not followed exactly, a fire or explosion may result causing property damage, personal injury or death.

- Do not store or use gasoline or other flammable vapors and liquids in the vicinity of this or any other appliance.
- **WHAT TO DO IF YOU SMELL GAS**
 - Do not try to light any appliance.
 - Do not touch any electrical switch.
 - Do not use any phone in your building.
 - Immediately call your gas supplier from a neighbor's phone. Follow the gas supplier's instructions.
 - If you cannot reach your gas supplier, call the fire department.
- Installation and service must be performed by a qualified installer, service agency or the gas supplier.

⚠ WARNING:

Never Operate the Top Surface Cooking Section of this Appliance Unattended.

- Failure to follow this warning statement could result in fire, explosion, or burn hazard that could cause property damage, personal injury, or death.
- If a fire should occur, keep away from the appliance and immediately call your fire department.

**DO NOT ATTEMPT TO EXTINGUISH
AN OIL/GREASE FIRE WITH WATER.**



IMPORTANT SAFETY INSTRUCTIONS

READ AND SAVE THESE INSTRUCTIONS

1.1 Safety definitions

Here you can find explanations of the safety signal words used in this manual.

WARNING

This indicates that death or serious injuries may occur as a result of non-observance of this warning.

CAUTION

This indicates that minor or moderate injuries may occur as a result of non-observance of this warning.

NOTICE:

This indicates that damage to the appliance or property may occur as a result of non-compliance with this advisory.

Note: This alerts you to important information and/or tips.

1.2 General information

- Read this manual carefully.
- Keep the manual and the product information in a safe place for future reference or for the next owner.
- Do not connect the appliance if it has been damaged in transit.

1.3 Intended use

The appliance can only be used safely if it is correctly installed according to the installation instructions. The installer is responsible for ensuring that the appliance works perfectly at its installation location.

Only use this appliance:

- for cooking purposes.
- Under supervision. Never leave the appliance unattended when cooking for short periods.
- In private households and in enclosed spaces in a residential environment.

Do not use the appliance:

- On boats or in vehicles.
- as a room heater.
- This appliance is not intended for operation with an external time switch or external remote control.

Call Customer Service if you want to convert your appliance to a different type of gas.

1.4 Restriction on user group

This appliance is not intended for use by persons (including children) with reduced physical, sensory or mental capabilities, or lack of experience and knowledge, unless they have been given supervision or instruction concerning use of the appliance by a person responsible for their safety.

When children become old enough to use the appliance, it is the responsibility of the parents or legal guardians to ensure that they are instructed in safe practices by qualified persons.

Children should be supervised to ensure that they do not play with the appliance.

Do not let children play with the appliance.

1.5 Safe use

WARNING

When properly cared for, your new appliance has been designed to be safe and reliable.

- ▶ Read all instructions carefully before use. These precautions will reduce the risk of burns, electric shock, fire, and injury to persons.
- ▶ When using kitchen appliances, basic safety precautions must be followed, including those in the following pages.

WARNING

Overheated materials can cause fire or burns.

- ▶ Do not allow aluminum foil, plastic, paper or cloth to come in contact with a hot surface element, burner or grate.
- ▶ Do not allow pans to boil dry.

Set the burner control so that the flame does not extend beyond the bottom of the pan.

Take care that drafts like those from fans or forced air vents do not push the flames so that they extend beyond the edges of the pan.

During a power failure, only the cooktop burners can be lit manually.

Unattended cooking on a cooktop with fat or oil can be dangerous and may result in a fire.

- ▶ Do not leave the cooktop unattended when in use. A fire could occur during cooking.
- ▶ Always have a working smoke detector near the kitchen.



IMPORTANT SAFETY INSTRUCTIONS

READ AND SAVE THESE INSTRUCTIONS

- ▶ Have an appropriate fire extinguisher available, nearby, highly visible and easily accessible near the appliance.

If the cooktop is near a window, forced air vent or fan, be certain that flammable materials such as window coverings do not blow over or near the burners or heating elements. They could catch on fire.

Cooking fires can spread if extinguished incorrectly.

- ▶ Never use water on cooking fires.

WARNING - TO REDUCE THE RISK OF A GREASE FIRE

- ▶ Never Leave Surface Units Unattended at High Settings - Boilovers cause smoking and greasy spillovers that may ignite. Heat oils slowly on low or medium settings.
- ▶ Always turn hood ON when cooking at high heat or when flambeing food (i.e. Crepes Suzette, Cherries Jubilee, Peppercorn Beef Flambe').
- ▶ Clean ventilating fans frequently. Grease should not be allowed to accumulate on fan or filter.
- ▶ Use proper pan size. Always use cookware appropriate for the size of the surface element.

Flames can be drawn into the ventilation system.

- ▶ Whenever possible, do not operate the ventilation system during a cooktop fire. However, do not reach through fire to turn it off.

Cookware Handles Should be Turned Inward and Not Extend Over Adjacent Surface Units.

- ▶ To reduce the risk of burns, ignition of flammable materials, and spillage due to unintentional contact with the cookware, the handle of a cookware should be positioned so that it is turned inward, and does not extend over adjacent surface units.

Wear Proper Apparel. Loose-fitting or hanging garments, such as ties, scarves, jewelry, or dangling sleeves, should never be worn while using the appliance.

- ▶ Tie long hair so that it does not hang loose.
- ▶ Secure all loose garments, etc. before beginning.

Use Proper Pan Size. This appliance is equipped with one or more surface units of different size.

- ▶ Select cookware having flat bottoms large enough to cover the surface unit heating element.
- ▶ The use of undersized cookware will expose a portion of the heating element or burner to direct contact and may result in ignition of clothing. Proper relationship of cookware to heating element or burner will also improve efficiency.

CAUTION

The cooking process has to be supervised. A short term cooking process has to be supervised continuously.

WARNING

To avoid risk of fire do not store items on the cooking surfaces.

In the event that personal clothing or hair catches fire, drop and roll immediately to extinguish flames.

Do Not Use Water on Grease Fires.

- ▶ Smother fire or flame or use dry chemical or foam-type extinguisher.

Adjust burner flame size so that it does not extend beyond the edge of the cookware. Proper relationship of cookware to burner flame reduces safety risks.

WARNING

Use Only Dry Potholders. Moist or damp potholders on hot surfaces may result in burns from steam.

- ▶ Do not let potholders touch hot heating elements.
 - ▶ Do not use a towel or other bulky cloth.
- Hot oil is capable of causing extreme burns and injury.
- ▶ Use high heat settings on the cooktop only when necessary.
 - ▶ To avoid bubbling and splattering, heat oil slowly on no more than a low-medium setting.
 - ▶ Never move a pan of hot oil, especially a deep fat fryer. Wait until it is cool.

Spills of hot food may cause burns.

- ▶ Hold the handle of the pan when stirring or turning food. This helps prevent spills and movement of the pan.

DO NOT TOUCH SURFACE UNITS OR AREAS NEAR UNITS. Surface units may be hot even though they are dark in color. Areas near surface units may become hot enough to cause burns.

- ▶ During and after use, do not touch, or let clothing, potholders, or other flammable materials contact surface units or areas near units until they have had sufficient time to cool. Among these areas are the cooktop and areas facing the cooktop.

Clean Cooktop With Caution.

- ▶ If a wet sponge or cloth is used to wipe spills on a hot cooking area, be careful to avoid steam burn.
- ▶ Some cleaners can produce noxious fumes if applied to a hot surface.
- ▶ Do not clean the appliance while it is still hot.



IMPORTANT SAFETY INSTRUCTIONS

READ AND SAVE THESE INSTRUCTIONS

After a spill or boilover, turn off the burner and allow the cooktop to cool.

- ▶ Clean around the burner and burner ports.
- ▶ After cleaning, check for proper operation.

Inspect your cookware for damage or excessive wear before using it.

WARNING

Storage in or on Appliance - The use of corrosive chemicals in heating or cleaning will damage the appliance and could result in injury.

- ▶ Flammable materials, corrosive chemicals, vapors or non-food products should not be stored or used in an oven or on or near surface units.
- ▶ The appliance is specifically designed for use when heating or cooking food.

This appliance is intended for normal family household use only.

- ▶ It is not approved for outdoor use.
- ▶ See the Statement of Limited Product Warranty. If you have any questions, contact the manufacturer.

WARNING - TO REDUCE THE RISK OF INJURY TO PERSONS IN THE EVENT OF A GREASE FIRE, OBSERVE THE FOLLOWING.

- ▶ **SMOTHER FLAMES** with a close-fitting lid, cookie sheet, or metal tray, then turn off the burner. **BE CAREFUL TO PREVENT BURNS.** If the flames do not go out immediately, **EVACUATE AND CALL THE FIRE DEPARTMENT.**
- ▶ **NEVER PICK UP A FLAMING PAN** – You may be burned.
- ▶ **DO NOT USE WATER**, including wet dishcloths or towels – a violent steam explosion will result.
- ▶ Use an extinguisher **ONLY** if:
 - You know you have a Class ABC extinguisher, and you already know how to operate it.
 - The fire is small and contained in the area where it started.
 - The fire department is being called.
 - You can fight the fire with your back to an exit.

Do not heat or warm unopened food containers. Build-up of pressure may cause the container to burst and cause injury.

Failure to operate knobs properly may result in personal injury and damage to the appliance.

Glazed Cooking Utensils - Only certain types of glass, glass/ceramic, ceramic, earthenware, or other glazed utensils are suitable for cooktop or range-top service without breaking due to the sudden change in temperature.

WARNING

Moisture intrusion may cause an electric shock.

- ▶ Do not use any steam cleaners or high-pressure cleaners to clean the appliance.
- If the appliance or the power cord is damaged, this is dangerous.
- ▶ Never operate a damaged appliance.
 - ▶ Never pull on the power cord to unplug the appliance. Always unplug the appliance at the power outlet.
 - ▶ If the appliance or the power cord is damaged, immediately unplug the power cord or switch off the breaker in the circuit breaker box and turn off the gas supply.
 - ▶ Call Customer Service. → *Page 20*
 - ▶ Repairs to the appliance must only be performed by qualified personnel trained for this purpose.

IMPORTANT SAFETY NOTICE: The California Safe Drinking Water and Toxic Enforcement Act requires the Governor of California to publish a list of substances known to the state to cause cancer, birth defects or other reproductive harm, and requires businesses to warn customers of potential exposure to such substances. The burning of gas cooking fuel can generate some by-products which are on the list. To minimize exposure to these substances, always operate this unit according to the instructions contained in this booklet and provide good ventilation.

1.6 Child safety

WARNING

Do not allow children to use this appliance unless closely supervised by an adult.

- ▶ Children and pets should not be left alone or unattended in the area where the appliance is in use. They should never be allowed to play in its vicinity, whether or not the appliance is in use.

Do not allow anyone to climb, stand, lean, sit, or hang on any part of an appliance, especially a door, warming drawer, or storage drawer.

- ▶ This can damage the appliance, and the unit may tip over, potentially causing severe injury.

Do not let children play with the appliance.



IMPORTANT SAFETY INSTRUCTIONS

READ AND SAVE THESE INSTRUCTIONS

CAUTION

Do not store items of interest to children in cabinets above an appliance or on the backguard of an appliance. Children climbing on the appliance to reach items could be seriously injured.

WARNING

To avoid the risk of suffocation:

- ▶ Do not allow children to play with packaging material.
- ▶ Store small parts safely as they can be a choke hazard.

1.7 Gas safety

WARNING

To prevent carbon monoxide build-up, do not block appliance air vents.

WARNING

Have the installer show you where the gas shut-off valve is located.

If a burner goes out and gas escapes, open windows and doors. Wait until gas dissipates before using the appliance.

If you smell gas, your installer has not done a proper job of checking for leaks. If the connections are not perfectly tight, you can have a small leak and, therefore, a faint smell. If you smell gas, immediately shut off the unit and contact an authorized service provider to diagnose the issue. Read the WARNING about gas smell.

WARNING

Keep the igniter ports clean for proper lighting performance of the burners. It is necessary to clean these when there is a boilover or when the burner does not light even though the electronic igniters click.

For proper burner performance, keep igniters clean and dry.

CAUTION

All igniters spark when any single burner is turned on.

- ▶ Do not touch any of the burners when the cooktop is in use.

WARNING

To prevent flare-ups all grates must be properly positioned on the cooktop whenever the cooktop is in use. Each of the feet must be placed into the corresponding dimples in the cooktop.

- ▶ Do not use a grate if the rubber feet are missing or damaged.

To prevent flare-ups do not use the cooktop without all burner caps and all burner grates properly positioned.

WARNING

Use this appliance only for its intended use as described in this manual.

- ▶ NEVER use this appliance as a space heater to heat or warm the room. Doing so may result in carbon monoxide poisoning and overheating the appliance.

WARNING

The burning of gas cooking fuel can create small amounts of carbon monoxide, benzene, formaldehyde and soot. To minimize exposure to these substances the burners should be adjusted by a certified installer or agency to ensure proper combustion.

- ▶ Ensure proper ventilation with an open window or use a ventilation fan or hood when cooking with gas.
- ▶ Always operate the unit according to the instructions in this manual.

1.8 Proper installation and maintenance

WARNING

Disconnect electrical and gas supply before servicing.

WARNING

In the event of a malfunction, it might become necessary to turn off the power supply.

- ▶ Have the installer show you the circuit breaker or fuse. Mark it for easy reference.

To avoid electrical shock hazard, before servicing the appliance, turn power off at the service panel and lock the panel to prevent the power from being switched on accidentally.

Proper Installation - Improper installation or grounding can cause electric shock.

- ▶ This appliance must be properly installed and grounded by a qualified technician.
- ▶ Connect only to properly grounded outlet.
- ▶ Refer to installation instructions for details.

User Servicing - Do not repair or replace any part of the appliance unless specifically recommended in this manual.

- ▶ All other servicing should be referred to an authorized service provider.



IMPORTANT SAFETY INSTRUCTIONS

READ AND SAVE THESE INSTRUCTIONS

WARNING

Do not remove grommets as they will require Customer Service to refit and the cooktop must not be used without all parts fitted correctly.

WARNING

If the supply cord is damaged, it must be replaced by the manufacturer, its authorized service provider or similar qualified persons in order to avoid hazard.

WARNING

Malfunctions can cause injuries.

- ▶ Do not operate this appliance if it is not working properly, or if it has been damaged. Contact an authorized service provider.

1.9 High altitude installation

This appliance has been tested for operation up to an altitude of 10,100 ft (3,080 m) elevation above sea level.

For altitudes above 2,000 ft (610 m) elevation above sea level, burner flame adjustments may be necessary.

Burners should be checked at the lowest setting, if the flame is not stable the simmer should be increased until the flame is stable. This can be done by adjusting the bypass screw in the valve. If flame performance is satisfactory, adjustment will not be required. It is required that a certified professional make the high altitude adjustments during installation.

1.10 State of California Proposition 65 Warnings

This product may contain a chemical known to the State of California, which can cause cancer or reproductive harm. Therefore, the packaging of your product may bear the following label as required by California:

STATE OF CALIFORNIA PROPOSITION 65 WARNING:

 **WARNING**

Cancer and Reproductive Harm - www.P65Warnings.ca.gov

2 Preventing material damage

NOTICE:

OPERATIONAL FAULT.

- ▶ Always turn the control knob to the **OFF** position when the appliance is not being used.

Overheating can damage the cookware.

- ▶ Do not heat empty pots or pans.

Aluminum foil and plastic melt on hot cooking zones.

- ▶ Do not let aluminum foil or plastic come into contact with hot cooking zones.
- ▶ Do not use cooktop protective film.

A build-up of heat may damage the appliance.

- ▶ Never cover the cooktop, for example with aluminum foil or oven protectors.

- ▶ Do not place roasters, frying pans or grill stones on more than one burner at a time.

- ▶ Only use the accessories specified.

Acidic liquids such as lemon juice or vinegar may damage the surface finish of the appliance.

- ▶ Remove spilled liquids immediately. Use caution while the burners are still hot.

Heat may cause damage to adjacent appliances or furniture. If the appliance is in operation for an extended period, heat and moisture will be generated. Additional ventilation is required.

- ▶ Open the window or switch on an extractor hood that discharges the extracted air and moisture outside the building.

Use a glass lid.

- ✓ If you use a glass lid, you can look inside the cookware without lifting the lid.

Use cookware with a solid flat bottom.

- ✓ Curved cookware bases increase energy consumption.

Use a cookware size that matches the amount of food you want to cook.

- ✓ Large cookware with little content consumes a lot of energy.

Cook with a small amount of water.

- ✓ More water requires more energy to heat it up.

Select a lower power level as soon as possible. Select a suitable power level to continue cooking.

- ✓ For ongoing cooking a lower power level is sufficient.

3 Environmental protection and energy-saving

3.1 Disposal of packaging

The packaging materials are environmentally compatible and can be recycled.

- ▶ Sort the individual components by type and dispose of them separately.

3.2 Saving energy

If you follow these tips, your appliance consumes less energy.

Select a cookware diameter that matches the burner.

Center the cookware on the burner.

Tip: For frying pans, cookware manufacturers usually state the top diameter of the cookware. The diameter of the pan base is usually smaller.

- ✓ The energy is targeted at the cookware.
If you use cookware that is too small, energy is wasted.
If the cookware is too large, much energy is used to heat up the cookware.

Close cookware with a fitting lid.

- ✓ Cooking without a lid consumes more energy.

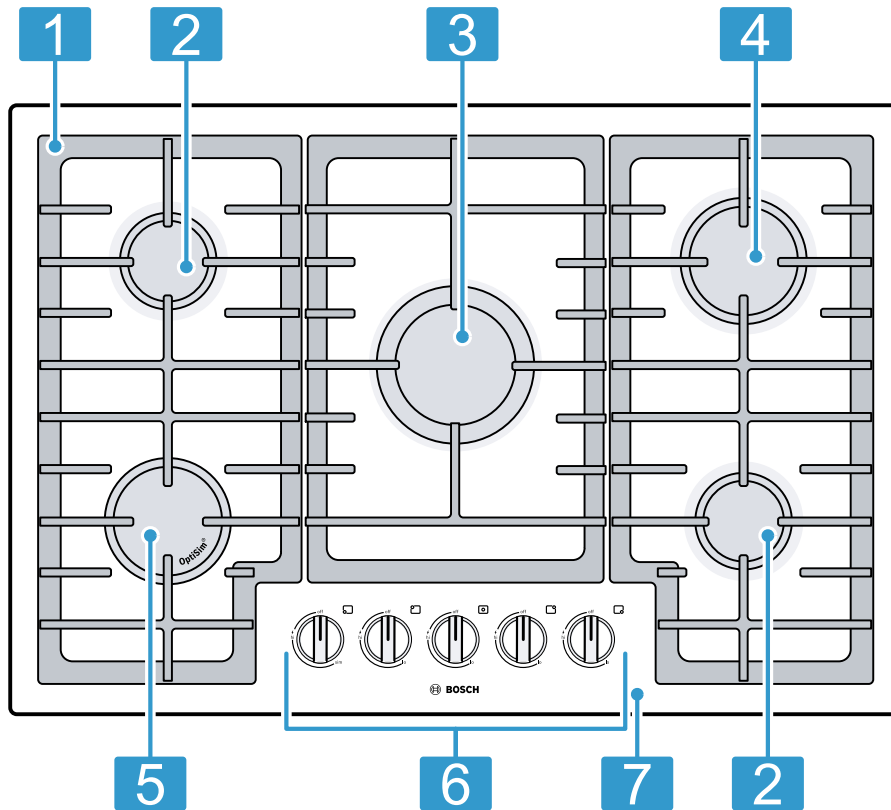
Only lift the lid when necessary.

- ✓ If you lift the lid, a lot of energy can escape.

4 Familiarizing yourself with your appliance

4.1 Appliance

Here you can find an overview of the parts of your appliance.

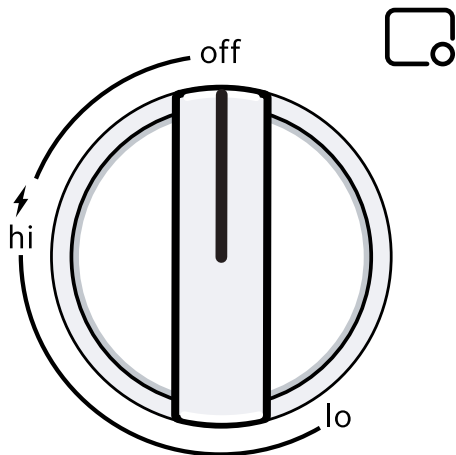


Number	Part	Maximum output of burner
1	Burner grates	Always position burner grates as shown.
2	Medium burner	6,000 BTU/hr 1.75 kW
3	Extra large burner	16,000 BTU/h 4.70 kW
4	Large burner	10,300 BTU/hr 3.0 kW
5	Small burner	3,400 BTU/hr 1.00 kW OptiSim® burner cap → "OptiSim® feature", Page 12
6	Control knobs	Control the burner indicated next to the control knob.
7	Burner on indicator	Lights up when a burner is switched on

4.2 Control knobs

You can use the control panel to configure all functions of your appliance and to obtain information about the operating status.

The markings around the control knobs show the available power levels. The power levels can be set continuously. If you turn on any burner, the indicator light at the right corner of the control panel lights up.



Note: The image of the control knob is representative. Depending on the available settings, the individual control knobs may have some but not all functions described in the following chart.

Knob position

off	Burner turned off
⚡	Electric ignition
●	Power levels
hi	Highest power level
lo	Lowest power level
sim	Simmer setting

Burner positions

The markings next to each of the control knobs show which burner they control.

Burner positions

□	Front left burner
□	Front right burner
○	Middle burner
□	Back left burner
□	Back right burner

4.3 Burner cap and burner base placement

The burner caps must be properly placed for the cooktop to function properly.

If the burner cap is not properly placed, one or more of the following may occur:

- Burner flames are too high
- Flames shoot out of the burners
- Stainless steel discolorations
- Burners do not ignite
- Burner flames light unevenly
- Burner emits gas odor

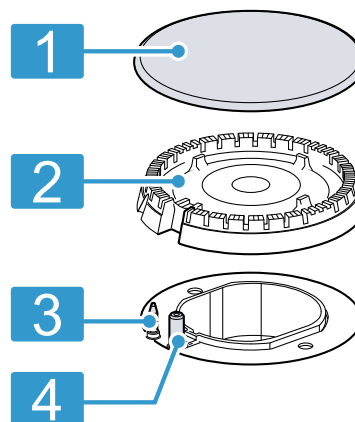
⚠ WARNING

To prevent flare-ups do not use the cooktop without all burner caps and all burner grates properly positioned.

⚠ CAUTION

To prevent burns, do not touch burner caps or grates while hot.

- ▶ Turn the cooktop off and allow the burners to cool.



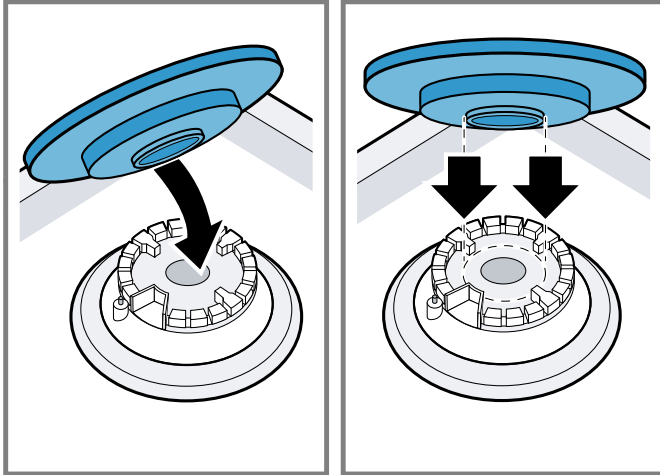
1	Burner cap
2	Burner base
3	Thermocouple
4	Igniter

4.4 OptiSim® feature

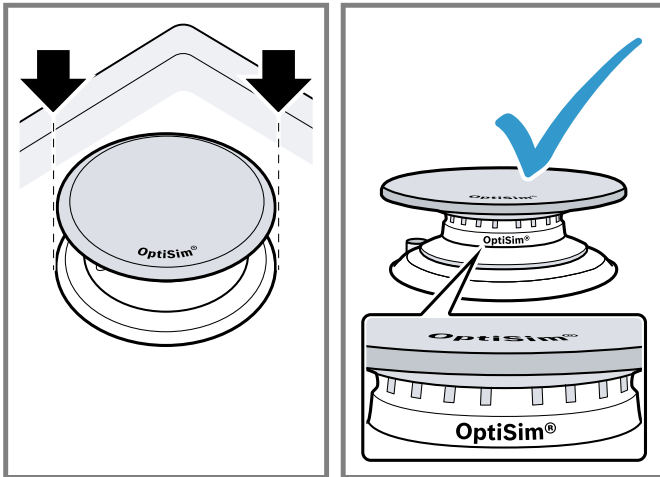
The OptiSim® burner cap has been designed to work with the small burner at the front left position of the cooktop. It is used to provide optimal simmering for delicate sauces while minimizing the risk of scorching.

Installing the OptiSim® burner cap

- ▶ Place the burner cap on the burner base, so that the lower protrusion locks in place in the center of the burner base.



- ✓ When properly installed the OptiSim® burner cap will extend beyond the burner base and raised surface.



4.7 Flame characteristics

The color of the flame tells you if the gas supply is properly adjusted.

Note: Allow the appliance to operate for 4 to 5 minutes before evaluating the flame. Some yellow streaking is normal during the initial startup.

Flame	Image	Measure
Completely or mostly yellow		Verify that the regulator is set for the correct fuel. Retest after adjustment.
Yellow tips on outer cone		Normal for LP gas

4.5 Burner grates

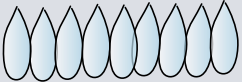
Place the burner grates correctly onto the cooktop. Never operate the cooktop without the burner grates in place.

- For the correct position of the burner grates, refer to the appliance overview image → *Page 10*.
- Place the cookware on the burner grates. Never place cookware directly onto the burners.
- Always remove burner grates carefully. When you move one burner grate, the burner grates next to it may also move.

4.6 Sealed burners

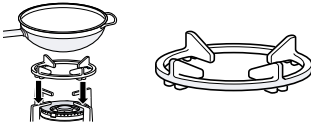
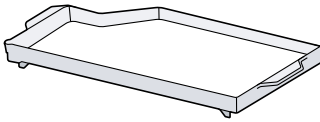
Your cooktop has sealed gas burners. There are no burner parts under the cooktop to clean, disassemble or adjust.

Your cooktop has four different burner sizes; small, medium, large and extra-large. Match every burner cap with the corresponding burner base.

Flame	Image	Measure
Soft blue		Normal for natural gas

5 Accessories

Only use original accessories. These are designed especially for your appliance.

Accessories	Use	
Wok ring		<ul style="list-style-type: none"> ■ Order number HEZ298102 ■ Use for cooking with a wok pan. ■ Only suitable for use on the extra large burner. Use cookware with a rounded base. ■ To extend the service life of the appliance, we recommend using the wok ring.
Griddle		<ul style="list-style-type: none"> ■ Order number HEZ9GR58UC ■ Use this specially developed griddle for foods such as pancakes, French toast, grilled sandwiches, bacon, vegetables and hamburgers. ■ The Bosch griddle is customized to fit on the two burners on the right side for all Bosch gas cooktops.

5.1 Accessories

Accessories are available from Customer Service, specialist retailers or online. You should only use original accessories as they are specially designed for your appliance. Accessories are appliance-specific. When purchasing, always check for compatibility with your appliance model number (E no.). → *Page 20*

You can find out which accessory is available for your appliance in our catalog, the online shop or the Customer Service.

www.bosch-home.com

6 Cookware

This information will help you save energy and avoid damaging your cookware.

6.1 Suitable cookware

Only use cookware of a suitable size. The cookware must not overhang the edge of the cooktop.

Burner	Minimum diameter of the cookware base	Maximum diameter of the cookware base
Extra large burner	8 $\frac{2}{3}$ " (22 cm)	11 $\frac{3}{4}$ " (30 cm)
Large burner	7 $\frac{3}{4}$ " (20 cm)	10 $\frac{1}{4}$ " (26 cm)
Medium burner	5 $\frac{1}{2}$ " (14 cm)	7 $\frac{3}{4}$ " (20 cm)
Small burner	4 $\frac{3}{4}$ " (12 cm)	6 $\frac{1}{4}$ " (16 cm)

Cookware recommendations

- Aluminum or copper bottomed pans conduct heat evenly.
- Steel pans, if not combined with other metals, may cook unevenly.
- Cast-iron cookware absorbs heat slowly and cooks more evenly at low to medium settings.
- Flat heavy bottom pans provide even heat and stability.
- DO NOT USE pans that are thin, warped, dented or ridged as they heat unevenly.

6.2 Using cookware









The selection and positioning of the cookware affects the safety and energy efficiency of your appliance.



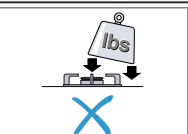
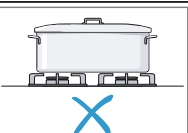
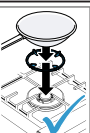
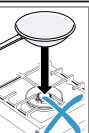
⚠ WARNING

Flammable objects may ignite.

- Maintain a distance of at least 2 $\frac{1}{2}$ " (50mm) between the cookware and flammable objects.

Note: When using certain pots or pans, a slight and temporary deformation of the steel cooking surface may occur. This is normal and does not affect the functionality of the appliance.

		Ensure that the size of the cookware is suitable for the burner size. Never use small cookware on large burners. Ensure that the flame does not touch the sides of the cookware.
		Do not use deformed cookware. Deformed cookware is not stable on the cooktop and may tip over. Use cookware with a thick, flat base.
		Do not cook without a lid. Ensure that the lid does not move. When cooking without a lid, a large amount of the energy will escape.
		Position the cookware in the middle of the burner, otherwise it may tip over. Do not position large cookware on the burners close to the controls. The controls may be damaged due to overheating.

		Place the cookware on the burner grates. Never place the cookware directly on the burner. Before using the appliance, ensure that the burner grates and the burner caps are positioned correctly.
		Handle the cookware that is on the cooktop carefully. Do not bang on the cooktop. Do not place heavy weights on the cooktop.
		Never use multiple burners to heat up cookware, such as roaster, pan, grill stone. The build-up of heat that results from this will damage the appliance.
		When cooking with a wok, use the wok ring. Place the wok ring over the wok burner onto the burner grate. Ensure that the wok is stable on the wok ring when you are cooking.

7 Operation

Here you will find everything you need to know about operating your appliance.

7.1 Turning on a burner

The cooktop uses electric igniters to light the burners.

- Place suitable cookware on the burner grate.
- Push in the control knob for the selected burner and turn it counter-clockwise to ϕ .
- Sparks are produced on all burners while you are pressing and holding the control knob.
- The flame on the selected burner ignites.
- Release the control knob.
- ⚠ WARNING** Escaping gas can ignite.
 - If the burner does not turn on after 15 seconds, turn off the control knob and open the door or window in the room. Wait at least 1 minute before igniting the burner again.

Turn the control knob to the desired position.

- The burner on light on the control panel lights up.
- If the burner does not ignite, turn it off and repeat the steps described above. This time, hold the control knob down longer (up to 10 seconds).

Note

In order to ensure proper operation of the appliance, observe the following instructions:

- The burner parts and burner grates need to be properly positioned.
- Do not interchange the burner caps of the individual burners.
- It is important to keep the appliance clean. Clean the igniters regularly with a small non-metallic brush. Take care to prevent the igniters from suffering any heavy impacts.
- The burner holes and slots must be clean for the flame to be correct. Clean the burners regularly.

7.2 Manually igniting a burner

In the event of a power failure, you can ignite the burners manually.

1. Hold down the control knob for the selected burner and turn it counterclockwise to the highest power level.
2. Hold a lit lighter or a match against the burner.

7.3 Flame failure safety system

Your cooktop is equipped with a safety system (thermocouple) that cuts off the gas when the burners accidentally go out during operation, for example through a draft of air. In order to light the burner, the system that allows the passage of gas must be activated. Carry out the following steps.

WARNING

If the burner flames are accidentally blown out, turn the control knob of the burner to the off position and do not try to relight it for at least 1 minute.

1. Light the burner as usual without releasing the control knob.
2. Hold the control knob down firmly for 4 seconds after lighting the flame.

7.4 Turning off a burner

- ▶ Turn the control knob clockwise to off.

7.5 Normal behavior during operation

The following behavior during operation is normal.

- A soft whistling noise while the burner is operating.
- Release of odors during first use. These do not pose a risk and will disappear in time.
- An orange-colored flame is normal. It is caused by impurities, such as the presence of dust in the atmosphere or spilled liquids.

8 Recommended cooking settings

Follow these instructions for best results.

- Boil water in a covered pot on the highest power level using the largest burner. If the water boils over, reduce the power level.
- When melting chocolate or butter, use the smallest burner.
- When simmering, bring food to a boil first. Stir well to be sure all the food is boiling, then cover and reduce the flame to the desired setting to simmer.

- There should be steam and slight quivering of the liquid's surface while simmering.
- Use a lid to keep a more constant cooking temperature and heat food faster.
- Check the food occasionally to see if the control knob should be turned to a lower or higher setting.
- Stir food occasionally.
- Center the pan over the burner before turning the burner on.
- Use proper cookware. → *Page 15*
- Refer to the cooking chart for suggested settings.

8.1 Cooking chart

Cooking process	Heat setting
Boiling, such as water, stock, etc.	High
Pan frying, sauteing, browning meat, deep frying	Medium high
Shallow frying, eggs, pancakes, bacon	Medium
Steaming, braising	Medium low
<ul style="list-style-type: none"> ■ Melting chocolate ■ Melting butter ■ Simmering sauces, soups and stews, such as tomato sauce, alfredo sauce, beef stew, etc. 	Low

Note: When melting chocolate or butter, use the smallest burner for best results.

9 Cleaning and maintenance

To keep your appliance working efficiently for a long time, it is important to clean and maintain it carefully.

9.1 Cleaning the appliance

CAUTION

All igniters spark when any single burner is turned on.

- ▶ Do not touch any of the burners when the cooktop is in use.

WARNING

Do not clean the cooktop while it is in operation.

NOTICE:

Humidity might enter the appliance interior, if you remove the control knobs during cleaning. This may damage the appliance.

- ▶ Do not remove the control knobs when cleaning the appliance.

1. Let the appliance cool down.
2. Clean with a sponge, water and soap.
3. Dry with a soft cloth.

9.2 Cleaning the burners

Clean the surfaces of the burners after every use to prevent them from becoming encrusted.

NOTICE:

Do not clean the burner parts in the dishwasher. They may be damaged.

1. Wait until the appliance has cooled.
2. Scrub with a non-metallic brush and soapy water.
3. Dry the burners completely. If there are water droplets or damp patches on the cooktop when you start cooking, the enamel may be damaged.
4. Reassemble the burner parts. Ensure that the burner caps are correctly positioned on the burner bases.
→ "Burner cap and burner base placement", Page 11
2. Carefully lift off the burner grates.
3. Scrub with a non-metallic brush and soapy water. Carefully clean around the rubber feet. If the rubber feet come off, the grates may scratch the cooktop surface.
4. Dry the burners grates completely. If there are water droplets or damp patches on the cooktop when you start cooking, the enamel may be damaged.
5. Place the burner grates in their proper position.
→ "Burner grates", Page 12

9.3 Cleaning the burner grates

1. Wait until the appliance has cooled.

9.4 Cleaning recommendations

Follow these cleaning recommendations for the individual parts of your appliance.

Part / Material	Suitable cleaning method	Important notes
Burner base / aluminum alloy	<ul style="list-style-type: none"> ■ Non-abrasive cleaner: Dish soap and hot water ■ Mild abrasive cleaners: Bon Ami®¹ or Soft Scrub®¹ Rinse and dry immediately.	<ul style="list-style-type: none"> ■ Do not scratch or gouge the port openings. ■ Clean ports with a wire or a straightened paper clip. ■ Do not use a toothpick, it may break off. ■ Do not soak burner bases. ■ A toothbrush can be used for stubborn stains.
Burner cap / porcelain enamel	<ul style="list-style-type: none"> ■ Non-abrasive cleaners: Dish soap and hot water, ammonia, Fantastic®¹ ■ Mild abrasive cleaners: Bon Ami®¹, Ajax®¹, Comet®¹ ■ Liquid cleaners: Soft Scrub®¹ ■ For food stains: abrasive cleaners such as Zud®¹, Barkeepers Friend®¹ Rinse and dry immediately.	<ul style="list-style-type: none"> ■ Acidic and sugar-laden spills deteriorate the enamel. Remove soil immediately after the appliance has cooled enough to touch. ■ Do not use wet sponge or towel on hot porcelain. ■ Do not soak burner caps. ■ Always apply minimal pressure with abrasive cleaners. ■ Dry thoroughly and make sure the burner cap is seated properly on the burner base after cleaning.
Control knobs and grommets	Non-abrasive cleaners: Dish soap and hot water Dry thoroughly after cleaning.	<ul style="list-style-type: none"> ■ Do not remove the control knobs when cleaning the appliance. The appliance may be damaged if moisture finds its way inside. ■ Do not remove grommets. You will require Customer Service to refit them. DO NOT USE THE COOKTOP WITHOUT ALL PARTS FITTED CORRECTLY! ■ Do not soak the control knobs or grommets. ■ Do not clean the control knobs in the dishwasher, they may be damaged. ■ Do not use abrasive scrubbers or cleaners, such as Bon Ami®¹, Ajax®¹, or Comet®¹. They may permanently damage the finish or remove graphics.
Exterior finish / stainless steel	<ul style="list-style-type: none"> ■ Clean with soapy water and soft cloth, then rinse and dry with a soft cloth. ■ Condition steel with the Bosch Stainless Steel Conditioner (part # 00576696). Not for use on black steel. ■ Hard water spots: Household white vinegar ■ Mild abrasive cleaners: Kleen King®¹ stainless steel liquid cleaner, Bon Ami®¹ ■ Heat discoloration: Bar Keepers Friend®¹ Rinse and dry immediately.	<ul style="list-style-type: none"> ■ Do not use steel wool pads. They will scratch the surface. ■ Stainless steel resists most food stains and pit marks providing the surface is kept clean and protected. ■ Never allow food stains or salt to remain on stainless steel for any length of time ■ Rub lightly in the direction of the grain. ■ Chlorine or chlorine compounds in some cleaners are corrosive to stainless steel. Check the ingredients on the label before using.

¹ These marks are registered trademarks of their respective owners. All other trademarks are trademarks of BSH Home Appliances Corporation or its affiliated companies.

Part / Material	Suitable cleaning method	Important notes
Burner grates and grate bridge / porcelain enamel on cast iron	<ul style="list-style-type: none"> ▪ Non-abrasive cleaner: Hot water and detergent, Fantastic®¹ ▪ Mild abrasive cleaners: Bon Ami®¹, Soft Scrub®¹ ▪ Stubborn stains: Soap filled steel wool pads Rinse and dry immediately.	<ul style="list-style-type: none"> ▪ The grates are heavy; use care when you lift them up. Place them on a protected surface for cleaning. ▪ Blisters, crazing or chips are common due to the extreme temperatures on the grate fingers and rapid temperature changes. ▪ Acidic and sugar-laden spills deteriorate the enamel. Remove soil immediately after the appliance has cooled enough to touch. ▪ If you use abrasive cleaners too vigorously or too often they may eventually mar the enamel. ▪ Do not clean in a self-cleaning oven.
Igniters / ceramic	<ul style="list-style-type: none"> ▪ Carefully wipe with a cotton swab dampened with water or ammonia. ▪ Gently scrape the soil off with a toothpick. 	<ul style="list-style-type: none"> ▪ Avoid excess water on the igniter. A damp igniter will prevent the burner from lighting. ▪ Remove any lint that may remain after cleaning.

¹ These marks are registered trademarks of their respective owners. All other trademarks are trademarks of BSH Home Appliances Corporation or its affiliated companies.

10 Troubleshooting

You can eliminate minor issues on your appliance yourself. Please read the information on eliminating issues before contacting Customer Service. This may avoid unnecessary repair costs.

WARNING

Improper repairs are dangerous.

- ▶ Only authorized service providers should repair the appliance.
- ▶ If the appliance has an issue, call Customer Service.

WARNING

Improper repairs are dangerous.

- ▶ Repairs to the appliance should only be performed by authorized service providers.
- ▶ Only original spare parts may be used to repair the appliance.
- ▶ If the power cord of this appliance becomes damaged, it must be replaced with a specific connection cord, which is available from the manufacturer or the manufacturer's Customer Service.

Issue	Cause and troubleshooting
The general electrical system of the appliance is not working.	The circuit breaker in the circuit breaker panel has tripped. <ol style="list-style-type: none"> 1. Check circuit breaker or fuse box to your house. 2. Make sure there is proper electrical power to the appliance.
	The plug for the power cord is not plugged in. <ul style="list-style-type: none"> ▶ Connect the appliance to the power supply.
	There has been a power failure. <ul style="list-style-type: none"> ▶ Check whether the lighting in your kitchen or other appliances in the room are working.
The automatic ignition is not working.	Food remnants, dirt, or cleaning products are located between the igniters and the burners. <ul style="list-style-type: none"> ▶ Clean the space between the igniter and the burner.
	Burner parts are wet. <ul style="list-style-type: none"> ▶ Carefully dry the burner parts.
	The burner parts are not positioned correctly. <ul style="list-style-type: none"> ▶ Position the burner parts correctly.
	The appliance is not connected properly to the power supply. <ul style="list-style-type: none"> ▶ Contact a qualified electrician.
The burner flame is not uniform.	The burner parts are not positioned correctly. <ul style="list-style-type: none"> ▶ Position the burner parts correctly.
	The grooves on the burner are dirty. <ul style="list-style-type: none"> ▶ Clean the grooves on the burner.
The gas flow is not normal or there is no gas.	The gas supply is blocked by intermediate gas valves. <ul style="list-style-type: none"> ▶ Open the gas valves.
	The gas cylinder is empty. <ul style="list-style-type: none"> ▶ Replace the gas cylinder.
There is a smell of gas in the kitchen.	A gas valve has been left on. <ul style="list-style-type: none"> ▶ Turn off the gas taps.
	Incorrect coupling of gas cylinder. <ul style="list-style-type: none"> ▶ Check the proper connection to the gas cylinder.
	The gas pipe to the appliance is leaking. <ol style="list-style-type: none"> 1. Shut off the gas supply at the main gas valve. 2. Ventilate the premises. 3. Immediately notify an authorised installation technician to check and certify the installation. 4. Do not use the appliance until you can be sure there are no gas leaks in the gas supply line or the appliance.
	The control knob has not been pressed down long enough. <ol style="list-style-type: none"> 1. Keep the control knob pressed in for a few seconds after ignition. 2. Push the control knob in firmly.
The burner switches off immediately after releasing the control knob.	The grooves on the burner are dirty.

Issue	Cause and troubleshooting
The burner switches off immediately after releasing the control knob.	► Clean the grooves on the burner.

11 Disposal

Find out here how to dispose of old appliances correctly.

11.1 Disposal of your old appliance

Environmentally compatible disposal allows valuable raw materials to be recycled.

1. Unplug the appliance from the power supply.
2. Cut through the power cord.
3. Dispose of the appliance in an environmentally responsible manner.

Information about current disposal methods can be obtained from your specialist dealer or local authority.

12 Customer Service

If you have any questions on use, are unable to eliminate an issue in the appliance yourself, or the appliance needs to be repaired, please contact our Customer Service.

With any warranty repair, we will make sure your appliance is repaired by an authorized service provider using genuine replacement parts. We use only genuine replacement parts for all repairs.

Detailed information on the warranty period and terms of warranty can be found in the Statement of Limited Product Warranty, from your retailer, or on our website.

If you contact the Customer Service, you will need the model number (E-Nr.) and the production number (FD) of your appliance.

USA:

1-800-944-2904

www.bosch-home.com/us/owner-support/get-support

www.bosch-home.com/us/shop

CA:

1-800-944-2904

www.bosch-home.ca/en/service/get-support

www.bosch-home.ca/en/service/cleaners-and-accessories

12.1 Model number (E-Nr.) and production number (FD)

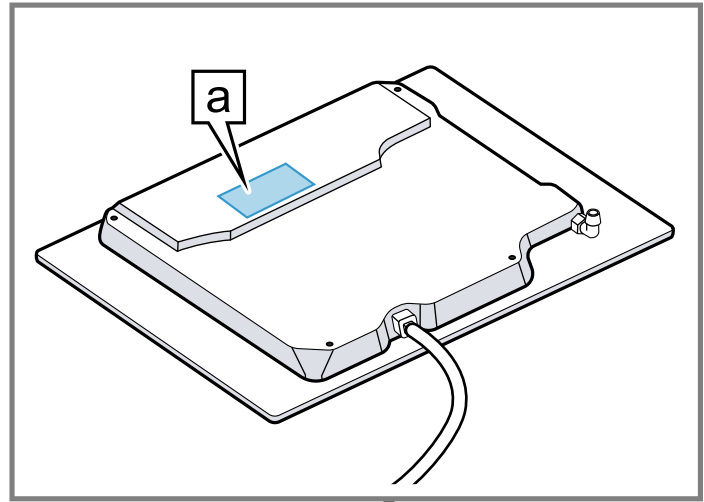
You can find the model number (E-Nr.) and the production number (FD) on the appliance's rating plate.

Making a note of your appliance's details and the Customer Service telephone number will enable you to find them again quickly.

12.2 Rating plate location

You can find the rating plate of your appliance:

- On the appliance certificate.
- on the underside of the appliance



a Rating plate

13 STATEMENT OF LIMITED PRODUCT WARRANTY

13.1 What this warranty covers & Who it applies to

The limited warranty provided by BSH Home Appliances ("Bosch") in this Statement of Limited Product Warranty applies only to the Bosch appliance sold to you ("Product"), provided that the Product was purchased:

- For your normal, household (non-commercial) use, and has in fact at all times only been used for normal household purposes.
- New at retail (not a display, "as is", or previously returned model), and not for resale, or commercial use.
- Within the United States or Canada, and has at all times remained within the country of original purchase.

The warranties stated herein apply to the original purchaser of the product warranted herein and to each succeeding owner of the product purchased for ordinary home use during the term of the warranty.

Please make sure to return your registration card; while not necessary to effectuate warranty coverage, it is the best way for Bosch to notify you in the unlikely event of a safety notice or product recall.

13.2 How long the warranty lasts

Bosch warrants that the Product is free from defects in materials and workmanship for a period of three hundred sixty-five (365) days from the date of the original purchase. The foregoing timeline begins to run upon the date of the original purchase, and shall not be stalled, tolled, extended, or suspended, for any reason whatsoever. This Product is also warranted to be free from **cosmetic** defects in material and workmanship (such as scratches of stainless steel, paint/porcelain blemishes, chip, dents, or other damage to the finish) of the Product, for a period of

thirty (30) days from the date of purchase or closing date for new construction. This **cosmetic** warranty excludes slight color variations due to inherent differences in painted and porcelain parts, as well as differences caused by kitchen lighting, product location, or other similar factors. This **cosmetic** warranty specifically excludes any display, floor, "As Is", or "B" stock appliances.

13.3 Repair/replace as your exclusive remedy

During this warranty period, Bosch or one of its authorized service providers will repair your Product without charge to you (subject to certain limitations stated herein) if your Product proves to have been manufactured with a defect in materials or workmanship. If reasonable attempts to repair the Product have been made without success, then Bosch will replace your Product (upgraded models may be available to you, in Bosch's sole discretion, for an additional charge). Nothing in this warranty requires damaged or defective parts to be replaced with parts of a different type or design than the original part. All removed parts and components shall become the property of Bosch at its sole option. All replaced and/or repaired parts shall assume the identity of the original part for purposes of this warranty and this warranty shall not be extended with respect to such parts. Bosch's sole liability and responsibility hereunder is to repair manufacturer-defective Product only, using a Bosch authorized service provider during normal business hours. For safety and property damage concerns, Bosch highly recommends that you do not attempt to repair the Product yourself, or use a non-authorized service provider; Bosch will have no responsibility or liability for repairs or work performed by a non-authorized service provider. Authorized service providers are those persons or companies that have been specially trained on Bosch products, and who possess, in Bosch's opinion, a superior reputation for customer service and technical ability (note that they are independent entities and are not agents, partners, affiliates or representatives of Bosch). Notwithstanding the foregoing, Bosch will not incur any liability, or have responsibility, for the Product if it is located in a remote area (more than 100 miles from an authorized service provider) or is reasonably inaccessible, hazardous, threatening, or treacherous locale, surroundings, or environment; in any such event, if you request, Bosch would still pay for labor and parts and ship the parts to the nearest authorized service provider, but you would still be fully liable and responsible for any travel time or other special charges by the service company, assuming they agree to make the service call.

13.4 Out of warranty product

Bosch is under no obligation, at law or otherwise, to provide you with any concessions, including repairs, prorates, or Product replacement, once this warranty has expired.

13.5 Warranty exclusions

The warranty coverage described herein excludes all defects or damage that are not the direct fault of Bosch, including without limitation, one or more of the following:

- Use of the Product in anything other than its normal, customary and intended manner (including without limitation, any form of commercial use, use or storage of an indoor product outdoors, use of the Product in conjunction with air or water-going vessels).

- Any party's willful misconduct, negligence, misuse, abuse, accidents, neglect, improper operation, failure to maintain, improper or negligent installation, tampering, failure to follow operating instructions, mishandling, unauthorized service (including selfperformed "fixing" or exploration of the appliance's internal workings).
- Adjustment, alteration or modification of any kind.
- A failure to comply with any applicable state, local, city, or county electrical, plumbing and/or building codes, regulations, or laws, including failure to install the product in strict conformity with local fire and building codes and regulations.
- Ordinary wear and tear, spills of food, liquid, grease accumulations, or other substances that accumulate on, in, or around the Product.
- Any external, elemental and/or environmental forces and factors, including without limitation, rain, wind, sand, floods, fires, mud slides, freezing temperatures, excessive moisture or extended exposure to humidity, lightning, power surges, structural failures surrounding the appliance, and acts of God.
- Service calls to correct the installation of your Product, to instruct you how to use your Product, to replace house fuses or correct house wiring or plumbing.

In no event shall Bosch have any liability or responsibility whatsoever for damage to surrounding property, including cabinetry, floors, ceilings, and other structures or objects around the Product. Also excluded from this warranty are Products, on which the serial numbers have been altered, defaced, or removed; service visits to teach you how to use the Product, or visits where there is nothing wrong with the Product; correction of installation problems (you are solely responsible for any structure and setting for the Product, including all electrical, plumbing or other connecting facilities, for proper foundation/flooring, and for any alterations including without limitation cabinetry, walls, floors, shelving, etc.); and resetting of breakers or fuses TO THE EXTENT ALLOWED BY LAW, THIS WARRANTY SETS OUT YOUR EXCLUSIVE REMEDIES WITH RESPECT TO PRODUCT, WHETHER THE CLAIM ARISES IN CONTRACT OR TORT (INCLUDING STRICT LIABILITY, OR NEGLIGENCE) OR OTHERWISE. THIS WARRANTY IS IN LIEU OF ALL OTHER WARRANTIES, WHETHER EXPRESS OR IMPLIED. ANY WARRANTY IMPLIED BY LAW, WHETHER FOR MERCHANTABILITY OR FITNESS FOR A PARTICULAR PURPOSE, OR OTHERWISE, SHALL BE EFFECTIVE ONLY FOR THE PERIOD THAT THIS EXPRESS LIMITED WARRANTY IS EFFECTIVE. IN NO EVENT WILL THE MANUFACTURER BE LIABLE FOR CONSEQUENTIAL, SPECIAL, INCIDENTAL, INDIRECT, "BUSINESS LOSS", AND/OR PUNITIVE DAMAGES, LOSSES, OR EXPENSES, INCLUDING WITHOUT LIMITATION TIME AWAY FROM WORK, HOTELS AND/OR RESTAURANT MEALS, REMODELLING EXPENSES IN EXCESS OF DIRECT DAMAGES WHICH ARE DEFINITELY CAUSED EXCLUSIVELY BY BOSCH, OR OTHERWISE. SOME STATES DO NOT ALLOW THE EXCLUSION OR LIMITATION OF INCIDENTAL OR CONSEQUENTIAL DAMAGES, AND SOME STATES DO NOT ALLOW LIMITATIONS ON HOW LONG AN IMPLIED WARRANTY LASTS, SO THE ABOVE EXCLUSIONS OR LIMITATIONS MAY NOT APPLY TO YOU. THIS WARRANTY GIVES YOU SPECIFIC LEGAL RIGHTS, AND YOU MAY ALSO HAVE OTHER RIGHTS WHICH VARY FROM STATE TO STATE.

No attempt to alter, modify or amend this warranty shall be effective unless authorized in writing by an officer of BSH.

13.6 Obtaining warranty service

To obtain warranty service for your product, you should contact Bosch Customer Support at 1-800-944-2904 to schedule a repair.

Table des matières

1 IMPORTANTES CONSIGNES DE SÉCURITÉ	24	13 ÉNONCÉ DE LA GARANTIE LIMITÉE DU	43
1.1 Définitions des termes de sécurité	25	PRODUIT	43
1.2 Indications générales	25	13.1 Couverture de la garantie limitée	43
1.3 Utilisation prévue	25	13.2 Durée de la garantie	43
1.4 Restriction sur le groupe d'utilisateurs.....	25	13.3 Réparation ou remplacement : votre recours	
1.5 Utilisation sécuritaire	25	exclusif	44
1.6 Sécurité des enfants	28	13.4 Produit hors garantie.....	44
1.7 Sécurité des gaz	28	13.5 Exclusions de garantie.....	44
1.8 Installation et entretien appropriés	29	13.6 Obtention du service de garantie	45
1.9 Installation à haute altitude.....	30		
1.10 Mises en garde conformément à la proposition			
65 de l'État de Californie	30		
2 Prévenir les dommages matériels	31		
3 Protection de l'environnement et économies	31		
3.1 Mise au rebut de l'emballage	31		
3.2 Économiser de l'énergie.....	31		
4 Description de l'appareil	32		
4.1 Électroménager.....	32		
4.2 Boutons de commande	32		
4.3 Placement du chapeau de brûleur et de la base			
du brûleur.....	33		
4.4 OptiSim® fonctionnalité.....	34		
4.5 Grilles de brûleur.....	34		
4.6 Brûleurs scellés.....	34		
4.7 Caractéristiques de la flamme	34		
5 Accessoires.....	36		
5.1 Accessoires	36		
6 Ustensile de cuisine	37		
6.1 Ustensile de cuisson convenable	37		
6.2 Utilisation des ustensiles de cuisson	37		
7 Fonctionnement	37		
7.1 Allumer un brûleur.....	37		
7.2 Allumer manuellement un brûleur.....	38		
7.3 Système de sécurité anti-flamme	38		
7.4 Éteindre un brûleur.....	38		
7.5 Comportement normal pendant le fonctionnement...	38		
8 Paramètres de cuisson recommandés.....	38		
8.1 Tableau de cuisson	38		
9 Nettoyage et entretien	39		
9.1 Nettoyer l'appareil	39		
9.2 Nettoyer les brûleurs	39		
9.3 Nettoyage des grilles du brûleur.....	39		
9.4 Recommandations en matière de nettoyage	39		
10 Dépannage	42		
11 Élimination	43		
11.1 Éliminer un appareil usagé.....	43		
12 Service à la clientèle.....	43		
12.1 Numéro de modèle (E-Nr.) et numéro de			
fabrication (FD)	43		
12.2 Emplacement de la plaque signalétique	43		



IMPORTANTES CONSIGNES DE SÉCURITÉ

LIRE ET CONSERVER CES INSTRUCTIONS

Lisez toutes les instructions attentivement avant l'utilisation. Ces précautions réduiront le risque d'électrocution, d'incendie et de blessure pour les personnes utilisant l'appareil. Lorsque vous utilisez des appareils électroménagers, il importe de suivre les précautions de sécurité de base, y compris celles indiquées dans les pages suivantes.

⚠ AVERTISSEMENT : Si les directives ne sont pas suivies à la lettre, il y a un risque d'incendie ou d'explosion pouvant entraîner des dommages matériels, des blessures ou un décès.

- Ne pas conserver ou utiliser de l'essence ou d'autres liquides ou vapeurs inflammables à proximité de cet appareil ou de tout autre appareil.
- **QUE FAIRE SI VOUS PERCEVEZ UNE ODEUR DE GAZ**
 - Ne pas essayer de mettre un appareil sous tension.
 - Ne pas toucher d'interrupteur de courant électrique.
 - Ne pas utiliser de téléphones dans l'édifice.
 - Communiquer immédiatement avec le fournisseur de gaz depuis l'appareil téléphonique d'un voisin. Respecter les directives du fournisseur de gaz.
 - S'il s'avère impossible de joindre le fournisseur de gaz, communiquer avec les pompiers.
- Utiliser les services d'un installateur ou d'une agence de services qualifiés ou le fournisseur de gaz pour procéder à l'installation et aux réparations.

⚠ AVERTISSEMENT :

Ne jamais faire fonctionner la surface de la table de cuisson de cet appareil sans surveillance.

- Le non-respect de cet avertissement pourrait entraîner un risque d'incendie, d'explosion ou de brûlure qui pourrait provoquer des dommages matériels, des blessures ou un décès.
- En cas d'incendie, se tenir à l'écart de l'appareil et appeler immédiatement les pompiers.

NE PAS ESSAYER D'ÉTEINDRE UN INCENDIE DE GRAISSE OU D'HUILE AVEC DE L'EAU.



IMPORTANTES CONSIGNES DE SÉCURITÉ

LIRE ET CONSERVER CES INSTRUCTIONS

1.1 Définitions des termes de sécurité

Vous trouverez ici des explications sur les mots de signalisation de sécurité utilisés dans ce manuel.

AVERTISSEMENT

Signale un risque de mort ou de blessure grave si l'avertissement n'est pas respecté.

MISE EN GARDE

Signale un risque de blessures mineures ou modérées si l'avertissement n'est pas respecté.

AVIS :

Ceci indique que la non-conformité à cet avis de sécurité peut entraîner des dégâts matériels ou endommager l'appareil.

Remarque : Ceci vous signale des informations et/ou indications importantes.

1.2 Indications générales

- Lisez attentivement cette notice.
- Veuillez conserver la notice et les renseignements sur le produit en vue d'une réutilisation ultérieure ou pour un futur nouveau propriétaire.
- Ne branchez pas l'appareil si ce dernier a été endommagé durant le transport.

1.3 Utilisation prévue

La sécurité de l'appareil à l'usage est uniquement garantie s'il a été installé conformément aux instructions de montage. Le monteur est responsable du fonctionnement correct sur le lieu où l'appareil est installé.

Utilisez uniquement cet appareil :

- à des fins de cuisson.
- sous surveillance. Surveillez constamment les processus de cuisson de courte durée.
- dans un domicile privé et dans une pièce fermée de l'environnement domestique.

N'utilisez pas l'appareil :

- sur des bateaux ou dans des véhicules.
- comme chauffage d'appoint.
- Cet appareil n'est pas conçu pour fonctionner avec une minuterie externe ou une télécommande externe.

Pour l'adaptation à un autre type de gaz, appelez le service après-vente.

1.4 Restriction sur le groupe d'utilisateurs

Cet appareil n'est pas destiné à être utilisé par des personnes (y compris des enfants) présentant des capacités physiques, sensorielles ou mentales réduites, à moins qu'elles n'aient été informées de la manière d'utiliser l'appareil par une personne responsable de leur sécurité.

Lorsque les enfants sont assez âgés pour utiliser l'appareil, il incombe aux parents ou tuteurs légaux de veiller à ce qu'ils soient formés aux pratiques sécuritaires par des personnes qualifiées.

Les enfants doivent être surveillés afin de s'assurer qu'ils ne jouent pas avec l'appareil.

Ne laissez pas les enfants jouer avec l'appareil.

1.5 Utilisation sécuritaire

AVERTISSEMENT

Lorsqu'il est correctement entretenu, votre nouvel appareil a été conçu pour être sûr et fiable.

- ▶ Lisez toutes les instructions attentivement avant l'utilisation. Ces consignes réduiront le risque de brûlure, d'électrocution, d'incendie et de blessure pour les personnes utilisant l'appareil.
- ▶ Lorsque vous utilisez des appareils électroménagers, il importe de suivre les précautions de sécurité de base, y compris celles indiquées dans les pages suivantes.

AVERTISSEMENT

Les matériaux surchauffés peuvent provoquer un incendie ou des brûlures.

- ▶ Ne laissez pas de papier d'aluminium, du plastique, du papier ou du tissu entrer en contact avec un élément de surface chaud, un brûleur ou une grille.
- ▶ Ne laissez pas les casseroles bouillir à sec.

Réglez la commande du brûleur de sorte que la flamme ne dépasse pas le fond de la casserole.

Veillez à ce que les courants d'air comme ceux des ventilateurs ou des événements à air forcé ne poussent pas les flammes de manière à ce qu'elles dépassent les bords de la casserole.

En cas de panne électrique, seuls les brûleurs de la table de cuisson peuvent s'allumer manuellement.



IMPORTANTES CONSIGNES DE SÉCURITÉ

LIRE ET CONSERVER CES INSTRUCTIONS

La cuisson sans surveillance sur une table de cuisson avec de la graisse ou de l'huile peut être dangereuse et peut provoquer un incendie.

- ▶ Ne laissez pas la table de cuisson sans surveillance lors de son utilisation.

Un incendie pourrait se produire pendant la cuisson.

- ▶ Toujours avoir un détecteur de fumée en état de marche près de la cuisine.
- ▶ Prière d'avoir à portée de main un extincteur d'incendie en bon état de marche, placé visiblement près de l'appareil électroménager et facile d'accès.

Si la table de cuisson est près d'une fenêtre, d'une ventilation à air forcé ou d'un ventilateur, assurez-vous que les matériaux inflammables tels que les couvre-fenêtres ne soufflent pas sur ou près des brûleurs ou des éléments chauffants. Ils pourraient prendre feu.

Les incendies de cuisson peuvent se propager s'ils ne s'éteignent pas correctement.

- ▶ Ne jamais utiliser d'eau sur les feux de cuisson.

AVERTISSEMENT - POUR RÉDUIRE LES RISQUES D'INCENDIE DE GRAISSE

- ▶ Ne laissez jamais les unités de surface sans surveillance à des réglages élevés - Les débordements provoquent de la fumée et des débordements graisseux qui peuvent s'enflammer. Chauffez l'huile lentement à feu doux ou moyen.
- ▶ Mettez toujours la hotte en marche lorsque vous cuisinez à feu vif ou lorsque vous flambez des aliments (c.-à-d. Crêpes Suzette, cerise Jubilee, bœuf au poivre flambé).
- ▶ Nettoyez régulièrement les ventilateurs. Ne pas laisser la graisse s'accumuler sur le ventilateur ou sur le filtre.
- ▶ Utilisez une taille de casserole appropriée. Toujours utiliser des ustensiles de cuisson adaptés à la taille de l'élément de surface.

Des flammes peuvent être aspirées dans le système de ventilation.

- ▶ Dans la mesure du possible, ne mettez pas en marche le système de ventilation pendant un feu de table de cuisson. Toutefois, ne passez pas la main à travers le feu pour l'éteindre.

Les poignées des ustensiles de cuisine doivent être tournées vers l'intérieur et ne pas s'étendre sur les unités de surface adjacentes.

- ▶ Pour réduire le risque de brûlures, d'inflammation de matériaux inflammables et de déversements dus à un contact involontaire avec l'ustensiles de cuisine, la

poignée d'un ustensile doit être positionnée de manière à ce qu'il soit tourné vers l'intérieur et ne dépasse pas les unités de surface adjacentes. Pour réduire le risque de brûlures, d'inflammation de matériaux inflammables et de déversements dus à un contact involontaire avec l'ustensile, la poignée d'un ustensiles de cuisine doit être positionnée de manière à ce qu'il soit tourné vers l'intérieur et ne dépasse pas les unités de surface adjacentes.

Portez des vêtements appropriés. Les vêtements amples ou suspendus, tels que les cravates, les foulards, les bijoux ou les manches pendantes, ne doivent jamais être portés lors de l'utilisation de l'appareil.

- ▶ Attachez les cheveux longs pour qu'ils ne pendent pas.
- ▶ Fixez tous les vêtements amples, etc. avant de commencer.

Utilisez une taille de casserole appropriée. Cet appareil est équipé d'un ou plusieurs éléments de surface de tailles différentes.

- ▶ Sélectionnez des ustensiles de cuisine dont le fond plat est suffisamment grand pour couvrir l'élément chauffant de l'unité de surface.
- ▶ L'emploi d'une casserole trop petite expose une partie de l'élément chauffant ou du brûleur au contact direct et peut ainsi provoquer l'inflammation des vêtements. Des plats de cuisson adaptés à l'élément de cuisson ou au brûleur en améliorent l'efficacité.

MISE EN GARDE

Le processus de cuisson doit être supervisé. Un processus de cuisson à court terme doit être supervisé en continu.

AVERTISSEMENT

Pour éviter tout risque d'incendie, ne stockez pas d'articles sur les surfaces de cuisson.

Si des vêtements ou des cheveux s'enflamment, rouler par terre immédiatement pour éteindre les flammes. N'utilisez pas d'eau sur les feux de graisse.

- ▶ Étouffer le feu ou la flamme ou utiliser un extincteur à sec chimique ou à mousse.

Ajustez la taille de la flamme du brûleur afin qu'elle ne dépasse pas le bord de la casserole. Une bonne relation entre les ustensiles de cuisine et la flamme du brûleur réduit les risques pour la sécurité.



IMPORTANTES CONSIGNES DE SÉCURITÉ

LIRE ET CONSERVER CES INSTRUCTIONS

AVERTISSEMENT

Utilisez uniquement des maniques sèches. Des poignées mouillées ou humides entrant en contact avec les surfaces chaudes peuvent provoquer des blessures par dégagement de vapeur.

- ▶ Ne laissez pas les maniques toucher les éléments chauffants chauds.
- ▶ N'utilisez pas de serviette ou autre chiffon volumineux. L'huile chaude peut causer des brûlures et des blessures extrêmes.
- ▶ Utiliser les réglages de température élevée sur la table de cuisson, seulement si nécessaire.
- ▶ Pour éviter les bouillons et les éclaboussures, chauffer l'huile lentement à une température qui ne dépasse pas le réglage faible-moyen.
- ▶ Ne jamais déplacer un récipient rempli d'huile chaude, surtout une friteuse. Attendre qu'elle refroidisse.

Les déversements d'aliments chauds peuvent provoquer des brûlures.

- ▶ Tenir la poignée de la casserole en mélangeant ou en retournant l'aliment. Cela aide à prévenir les éclaboussures et les mouvements de la casserole.

NE PAS TOUCHER LES UNITÉS DE SURFACE OU LES ZONES À PROXIMITÉ DES UNITÉS. Les éléments de surface peuvent être chauds, même s'ils sont foncés. Les zones à proximité des éléments peuvent devenir suffisamment chaudes pour causer des brûlures.

- ▶ Pendant et après l'utilisation, ne touchez pas et ne laissez pas les vêtements, les maniques ou autres matériaux inflammables entrer en contact avec les unités de surface ou les zones proches des unités avant d'avoir suffisamment de temps pour refroidir. Parmi ces zones se trouvent la table de cuisson et les zones faisant face à la table de cuisson.

Nettoyez la table de cuisson avec prudence.

- ▶ Si une éponge ou un chiffon humide est utilisé pour essuyer les déversements sur une zone de cuisson chaude, veillez à ne pas brûler à la vapeur.
- ▶ Certains nettoyants dégagent des fumées nocives lorsqu'ils sont appliqués sur une surface chaude.
- ▶ Ne pas nettoyer l'appareil pendant qu'il est encore chaud.

Après un déversement ou un débordement, éteignez le brûleur et laissez refroidir la table de cuisson.

- ▶ Nettoyez autour du brûleur et des orifices du brûleur.
- ▶ Après le nettoyage, vérifiez le bon fonctionnement.

Avant d'utiliser un ustensile de cuisson, l'inspecter à la recherche de dommages ou d'usure excessive.

AVERTISSEMENT

Stockage dans ou sur l'appareil - L'utilisation de produits chimiques corrosifs dans le chauffage ou le nettoyage endommagera l'appareil et pourrait entraîner des blessures.

- ▶ Les matériaux inflammables, les produits chimiques corrosifs, les vapeurs ou les produits non alimentaires ne doivent pas être stockés ou utilisés dans un four ou sur ou près des unités de surface.
- ▶ L'appareil est spécialement conçu pour être utilisé lors du chauffage ou de la cuisson des aliments.

Cet appareil électroménager est conçu uniquement pour un usage domestique habituel.

- ▶ Il n'est pas approuvé pour une utilisation en extérieur.
- ▶ Consultez l'énoncé de garantie limitée de produit. Pour toute question, veiller à communiquer avec le fabricant.

AVERTISSEMENT - POUR RÉDUIRE LE RISQUE DE BLESSURE AUX PERSONNES EN CAS D'INCENDIE DE GRAISSE, RESPECTEZ CE QUI SUIT.

- ▶ **FLAMMES PLUS DOUCES** avec un ajustement serré du couvercle, plaque à biscuits ou plateau métallique, puis éteignez le brûleur. **FAIRE ATTENTION AUX BRÛLURES.** Si les flammes ne s'éteignent pas immédiatement, **ÉVACUEZ ET APPELEZ LE SERVICE D'INCENDIE.**
- ▶ **NE JAMAIS PRENDRE UNE POÊLE A FLAMBER** - vous pourriez vous pourriez être brûlé.
- ▶ **NE PAS UTILISER D'EAU**, y compris des torchons ou des serviettes mouillés, cela provoquerait une violente explosion de vapeur.
- ▶ Utilisez un extincteur **UNIQUEMENT** si :
 - Vous savez que vous avez un extincteur de classe ABC, et vous savez déjà comment le faire fonctionner.
 - L'incendie est petit et contenu dans la zone où il a commencé.
 - Si vous avez appelé les pompiers.
 - Vous pouvez combattre l'incendie en gardant le dos tourné vers la sortie.

Ne chauffez pas et ne réchauffez pas des récipients non ouverts. L'accumulation de pression peut faire exploser le contenant et provoquer des blessures.

Le fait de ne pas utiliser correctement les boutons peut entraîner des blessures corporelles et des dommages à l'appareil.



IMPORTANTES CONSIGNES DE SÉCURITÉ

LIRE ET CONSERVER CES INSTRUCTIONS

Ustensiles de cuisson vitrés - Seuls certains types de verre, verre/céramique, de céramique, de faïence ou d'autres ustensiles vitrés conviennent à la table de cuisson ou au service de cuisinière sans se casser en raison du changement soudain de température.

AVERTISSEMENT

L'humidité qui pénètre peut occasionner une électrocution.

- ▶ N'utilisez pas de nettoyeur haute pression ou de nettoyer à vapeur pour nettoyer l'appareil.

Si l'appareil ou le cordon d'alimentation est endommagé, cela est dangereux.

- ▶ Ne faites jamais fonctionner un appareil endommagé.
- ▶ Ne tirez jamais sur le cordon d'alimentation pour débrancher l'appareil. Débranchez toujours l'appareil de la prise de courant.
- ▶ Si l'appareil ou le cordon d'alimentation est endommagé, débranchez immédiatement le cordon d'alimentation ou coupez le disjoncteur dans le boîtier du disjoncteur et coupez l'alimentation en gaz.
- ▶ Communiquez avec le service à la clientèle.
→ *Page 43*
- ▶ Les réparations de l'appareil ne doivent être effectuées que par du personnel qualifié formé à cet effet.

AVIS DE SÉCURITÉ IMPORTANT : Le California Safe Drinking Water and Toxic Enforcement Act oblige le gouverneur de Californie à publier une liste des substances reconnues par l'État pour causer le cancer, des anomalies congénitales ou d'autres troubles de la reproduction, et oblige les entreprises à avertir les clients d'une exposition potentielle à de tels substances. La combustion du combustible de cuisson au gaz peut générer certains sous-produits qui figurent sur la liste. Pour minimiser l'exposition à ces substances, faites toujours fonctionner cet appareil conformément aux instructions contenues dans ce livret et assurez une bonne ventilation.

1.6 Sécurité des enfants

AVERTISSEMENT

Ne pas permettre aux enfants d'utiliser cet appareil électroménager à moins d'être étroitement surveillés par un adulte.

- ▶ Les enfants et les animaux domestiques ne doivent pas être laissés seuls ou sans surveillance à un endroit où un appareil électroménager est utilisé. Ils ne doivent jamais jouer à proximité, que l'appareil soit utilisé ou non.

Ne pas laisser quiconque monter, se tenir debout, se pencher, s'asseoir ou se suspendre sur une partie quelconque de l'appareil électroménager, principalement une porte, un tiroir chauffant ou un tiroir de rangement.

- ▶ Cela peut endommager l'appareil et l'appareil peut basculer et provoquer des blessures graves.

Ne laissez pas les enfants jouer avec l'appareil.

MISE EN GARDE

Ne rangez pas d'articles d'intérêt pour les enfants dans des armoires au-dessus d'un appareil ou sur la protection arrière d'un appareil. Les enfants qui essaient de monter sur un appareil électroménager pour atteindre ces articles pourraient être gravement blessés.

AVERTISSEMENT

Pour éviter tout risque d'étouffement :

- ▶ Ne jamais laisser les enfants jouer avec le matériel d'emballage.
- ▶ Conservez les pièces de petite taille dans un endroit sûr, car elles peuvent être avalées facilement.

1.7 Sécurité des gaz

AVERTISSEMENT

Pour éviter l'accumulation de monoxyde de carbone, ne bloquez pas les orifices d'aération de l'appareil.

AVERTISSEMENT

Demandez à l'installateur de vous montrer où se trouve la vanne d'arrêt de gaz.

Si un brûleur s'éteint et que du gaz s'échappe, ouvrez les fenêtres et les portes. Attendez que le gaz se dissipe avant d'utiliser l'appareil.

Si vous sentez des effluves de gaz, l'installateur n'a pas correctement vérifié la présence de fuites. Si les raccords de son pas parfaitement serrés, vous pouvez avoir une petite fuite et une faible odeur de gaz. Si



IMPORTANTES CONSIGNES DE SÉCURITÉ

LIRE ET CONSERVER CES INSTRUCTIONS

vous sentez des effluves de gaz, éteindre immédiatement l'appareil et communiquer avec un fournisseur autorisé en réparation pour diagnostiquer le problème. Lisez l'AVERTISSEMENT sur l'odeur de gaz.

AVERTISSEMENT

Maintenez les ports de l'allumeur propre pour optimiser le rendement du brûleur. Il est nécessaire de nettoyer les ports de l'allumeur après un débordement ou quand le brûleur ne s'allume pas au déclenchement des allumeurs électroniques.

Pour optimiser le rendement du brûleur, gardez les allumeurs propres et secs.

MISE EN GARDE

Tous les allumeurs produisent une étincelle lorsqu'on allume un brûleur quelconque.

- ▶ Ne touchez pas les brûleurs lorsque la table de cuisson est en cours d'utilisation.

AVERTISSEMENT

Pour éviter les flambées, toutes les grilles doivent être correctement positionnées sur la table de cuisson chaque fois que la table de cuisson est utilisée. Chacun des pieds doit s'appuyer dans les petites dépressions correspondantes de la table de cuisson.

- ▶ Ne pas utiliser une grille si les pieds de caoutchouc sont manquants ou endommagés.

Pour éviter des flambées, ne pas utiliser la table de cuisson sans tous les chapeaux de brûleurs en place et toutes les grilles de brûleur bien positionnées.

AVERTISSEMENT

N'utilisez cet appareil que pour l'usage auquel il est destiné, comme décrit dans ce manuel.

- ▶ N'utilisez JAMAIS cet appareil comme radiateur pour chauffer ou réchauffer la pièce. Cela pourrait entraîner une intoxication au monoxyde de carbone et une surchauffe de l'appareil.

AVERTISSEMENT

La combustion de gaz combustible pour la cuisson peut générer de faibles quantités de monoxyde de carbone, de benzène, de formaldéhyde et de suie. Pour minimiser

l'exposition à ces substances, les brûleurs doivent être réglés par un installateur ou un organisme agréé pour assurer une combustion adéquate.

- ▶ Pour une bonne ventilation, utilisez une fenêtre ouverte, un ventilateur ou une hotte lorsque vous cuisinez au gaz.
- ▶ Toujours faire fonctionner l'appareil en suivant les consignes de ce manuel.

1.8 Installation et entretien appropriés

AVERTISSEMENT

Couper l'alimentation électrique et de gaz avant toute réparation.

AVERTISSEMENT

En cas de dysfonctionnement, il peut s'avérer nécessaire de couper l'alimentation.

- ▶ Demandez à l'installateur de vous montrer le disjoncteur ou le fusible. Identifiez sa position pour pouvoir le retrouver facilement.

Pour éviter les risques d'électrocution, avant de réparer l'appareil, coupez l'alimentation au niveau du panneau de service et verrouillez le panneau pour éviter que l'alimentation ne soit accidentellement activée.

Installation correcte - Une installation ou une mise à la terre incorrecte peut provoquer un choc électrique.

- ▶ L'appareil doit être correctement installé et mis à la terre par un technicien qualifié.
- ▶ Raccordez l'appareil uniquement à une prise de courant correctement mise à la terre.
- ▶ Reportez-vous aux instructions d'installation pour plus de détails.

Entretien par l'utilisateur - Ne réparez ni ne remplacez aucune pièce de l'appareil à moins que ce ne soit spécifiquement recommandé dans ce manuel.

- ▶ Tous les autres services doivent être référés à un fournisseur de services agréé.

AVERTISSEMENT

Ne pas retirer les œillets car le service après-vente devra les réinstaller et il ne faut pas utiliser la table de cuisson sans toutes les pièces bien insérées et en place.

AVERTISSEMENT

Si le cordon d'alimentation est endommagé, il doit être remplacé par le fabricant, son fournisseur de services agréé ou des personnes qualifiées similaires afin d'éviter tout danger.



IMPORTANTES CONSIGNES DE SÉCURITÉ

LIRE ET CONSERVER CES INSTRUCTIONS

AVERTISSEMENT

Les dysfonctionnements peuvent provoquer des blessures.

- ▶ Ne pas utiliser cet appareil électroménager s'il ne fonctionne pas correctement ou s'il a été endommagé. Contactez un prestataire de services agréé.

1.9 Installation à haute altitude

Cet appareil a été testé pour fonctionner à une altitude allant jusqu'à 10 100 pi (3 078 m) au-dessus du niveau de la mer.

Pour des altitudes supérieures à 2 000 pi (610 m) au-dessus du niveau de la mer, des ajustements de flamme du brûleur peuvent être nécessaires.

Veuillez vérifier les brûleurs au réglage le plus bas. Si la flamme est instable, haussez la flamme de mijotage jusqu'à ce qu'elle soit stable. Vous pouvez le faire en réglant la vis de dérivation de la soupape. Si la flamme réagit de manière satisfaisante, aucun ajustement n'est requis. Lors de l'installation, il est obligatoire de faire appel à un professionnel certifié pour procéder aux réglages d'utilisation à altitude élevée.

1.10 Mises en garde conformément à la proposition 65 de l'État de Californie

Ce produit pourrait contenir un produit chimique reconnu par l'État de la Californie comme cancérigène ou ayant des effets nocifs sur la reproduction. Par conséquent, vous pourriez devoir apposer l'étiquette suivante sur l'emballage du produit comme requis par la Californie :

AVERTISSEMENT ISSUE DE LA PROPOSITION 65 DE L'ÉTAT DE LA CALIFORNIE :

 **AVERTISSEMENT**

Cancer et dommages à la reproduction -
www.P65Warnings.ca.gov

2 Prévenir les dommages matériels

AVIS :

DÉFAUT DE FONCTIONNEMENT.

- ▶ Tournez toujours le bouton de commande sur la position **OFF** lorsque l'appareil n'est pas utilisé. La surchauffe peut endommager la batterie de cuisine.
 - ▶ Ne chauffez pas de casseroles ou poêles vides. Le papier d'aluminium et le plastique fondent sur les zones de cuisson chaudes.
 - ▶ Ne laissez pas de papier d'aluminium ou de plastique entrer en contact avec les zones de cuisson chaudes.
 - ▶ N'utilisez pas de film protecteur pour table de cuisson. Une accumulation de chaleur peut endommager l'appareil.
 - ▶ Ne couvrez jamais la table de cuisson, par exemple avec du papier d'aluminium ou des protecteurs de four.
 - ▶ Ne placez pas les rôtissoires, les poêles à frire ou les pierres à griller sur plus d'un brûleur à la fois.
 - ▶ N'utilisez que les accessoires spécifiés.
- Les liquides acides tels que le jus de citron ou le vinaigre peuvent endommager la finition de surface de l'appareil.
- ▶ Retirez immédiatement les liquides renversés. Soyez prudent lorsque les brûleurs sont encore chauds.
- La chaleur peut endommager les appareils ou les meubles adjacents. Si l'appareil fonctionne pendant une période prolongée, de la chaleur et de l'humidité seront générées. Une ventilation supplémentaire est nécessaire.
- ▶ Ouvrez la fenêtre ou allumez une hotte aspirante qui évacue l'air extrait et l'humidité à l'extérieur du bâtiment.

Ne soulevez le couvercle que si nécessaire.

- ✓ Si vous soulevez le couvercle, beaucoup d'énergie peut s'échapper.

Utilisez un couvercle en verre.

- ✓ Si vous utilisez un couvercle en verre, vous pouvez regarder à l'intérieur de l'ustensile sans soulever le couvercle.

Utiliser des ustensiles de cuisson à base solide plate.

- ✓ Les bases incurvées des ustensiles de cuisine augmentent la consommation d'énergie.

Utilisez une taille d'ustensile qui correspond à la quantité d'aliments que vous souhaitez cuire.

- ✓ Les gros ustensiles de cuisine avec peu de contenu consomment beaucoup d'énergie.

Faites cuire avec un peu d'eau.

- ✓ Plus d'eau nécessite plus d'énergie pour la chauffer.

Sélectionnez un niveau de puissance inférieur dès que possible. Sélectionnez un niveau de puissance adapté pour poursuivre la cuisson.

- ✓ Pour une cuisson en cours, un niveau de puissance inférieur est suffisant.

3 Protection de l'environnement et économies

3.1 Mise au rebut de l'emballage

Les matériaux d'emballage sont écologiques et recyclables.

- ▶ Veuillez éliminer les pièces détachées après les avoir triées par matières.

3.2 Économiser de l'énergie

Si vous suivez ces conseils, votre appareil consomme moins d'énergie.

Sélectionnez un diamètre d'ustensile qui correspond au brûleur. Centrez la casserole sur le brûleur.

Conseil : Pour les poêles à frire, les fabricants d'ustensiles de cuisine indiquent généralement le diamètre supérieur de la batterie de cuisine. Le diamètre de la base de la casserole est généralement plus petit.

- ✓ L'énergie est destinée à la batterie de cuisine. Si vous utilisez des ustensiles de cuisine trop petits, vous gaspillez de l'énergie. Si la batterie de cuisine est trop grande, beaucoup d'énergie est utilisée pour chauffer la batterie de cuisine.

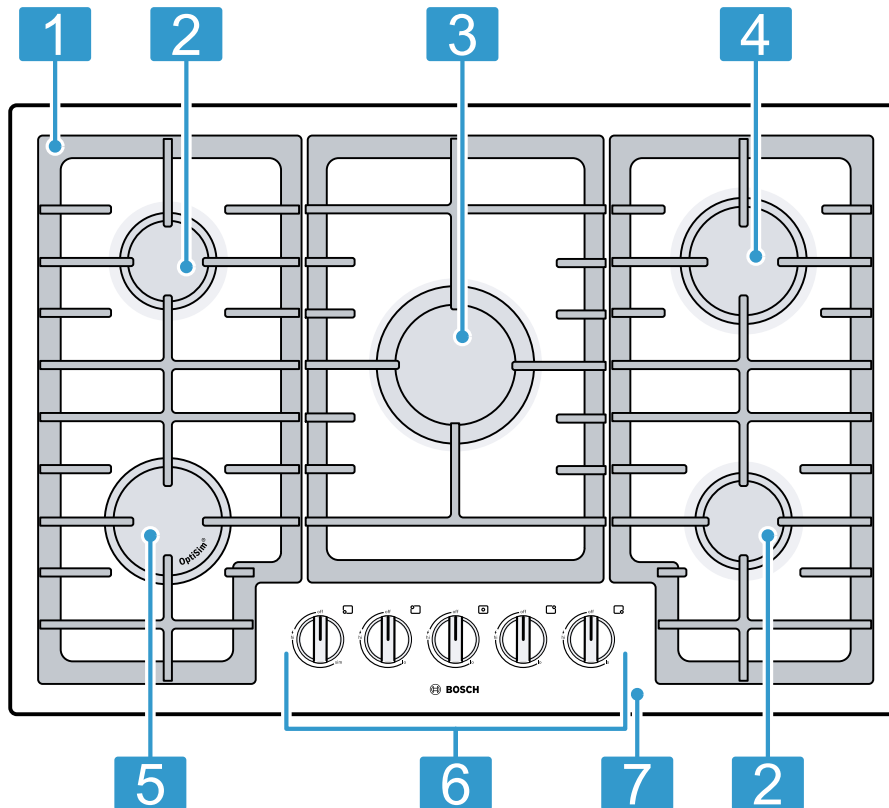
Fermez la casserole avec un couvercle approprié.

- ✓ Cuire sans couvercle consomme plus d'énergie.

4 Description de l'appareil

4.1 Électroménager

Cette section contient une vue d'ensemble des composants de votre appareil.

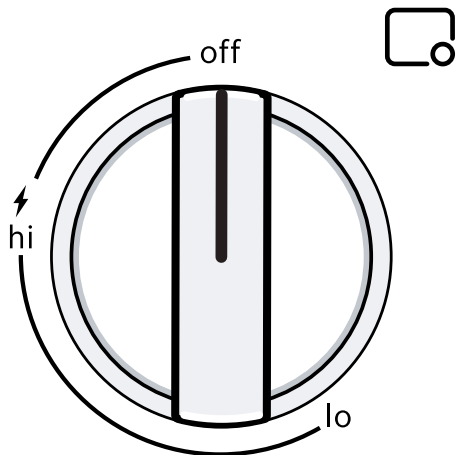


Numéro	Pièce	Puissance maximale du brûleur
1	Grilles de brûleur	Positionnez toujours les grilles de brûleur comme illustré.
2	Brûleur moyen Brûleur moyen	6,000 BTU/h 1.75 kW
3	Brûleur extra large	16,000 BTU/h 4.70 kW
4	Grand brûleur	10,300 BTU/h 3.0 kW
5	Petit brûleur	3,400 BTU/h 1.00 kW OptiSim® chapeau de brûleur → "OptiSim® fonctionnalité", Page 34
6	Boutons de commande	Contrôlez le brûleur indiqué à côté du bouton de commande.
7	Indicateur de brûleur allumé	S'allume lorsqu'un brûleur est allumé

4.2 Boutons de commande

Le bandeau de commande vous permet de configurer toutes les fonctions de votre appareil et d'obtenir des informations sur son état de fonctionnement.

Les marquages autour des boutons de commande indiquent les niveaux de puissance disponibles. Les niveaux de puissance peuvent être réglés en continu. Si vous allumez un brûleur, le voyant lumineux dans le coin droit du panneau de commande s'allume.



Remarque : L'image du bouton de commande est représentative. Selon les paramètres disponibles, les boutons de commande individuels peuvent avoir certaines fonctions décrites dans le tableau suivant, mais pas toutes.

Position du bouton	
off	Brûleur éteint
⚡	Allumage électrique
●	Niveaux de puissance
hi	Niveau de puissance le plus élevé
lo	Niveau de puissance le plus bas
sim	Réglage du mijotage

Positions de brûleur

Les marques à côté de chacun des boutons de commande indiquent quel brûleur ils contrôlent.

Positions de brûleur	
	Brûleur avant gauche
	Brûleur avant droit
	Brûleur central
	Brûleur arrière gauche
	Brûleur arrière droit

4.3 Placement du chapeau de brûleur et de la base du brûleur

Il faut que les chapeaux de brûleurs soient correctement positionnés pour le bon fonctionnement de la table de cuisson.

Si le chapeau du brûleur n'est pas correctement placé, une ou plusieurs des situations suivantes peuvent se produire :

- La flamme du brûleur est trop élevée
- Des flammes jaillissent des brûleurs
- Décolorations de l'acier inoxydable
- Les brûleurs ne s'allument pas
- La flamme du brûleur n'est pas uniforme
- Une odeur de gaz se dégage du brûleur

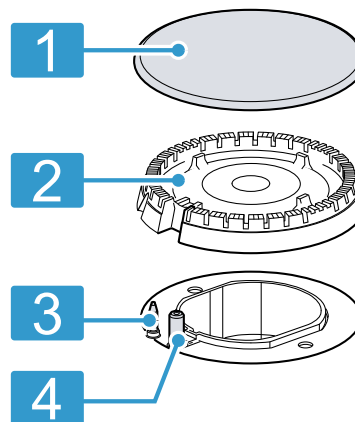
⚠ AVERTISSEMENT

Pour éviter des flambées, ne pas utiliser la table de cuisson sans tous les chapeaux de brûleurs en place et toutes les grilles de brûleur bien positionnées.

⚠ MISE EN GARDE

Pour éviter les brûlures, ne pas toucher aux chapeaux de brûleur ni aux grilles quand ils sont chauds.

- ▶ Éteindre la table de cuisson et laisser les brûleurs refroidir.



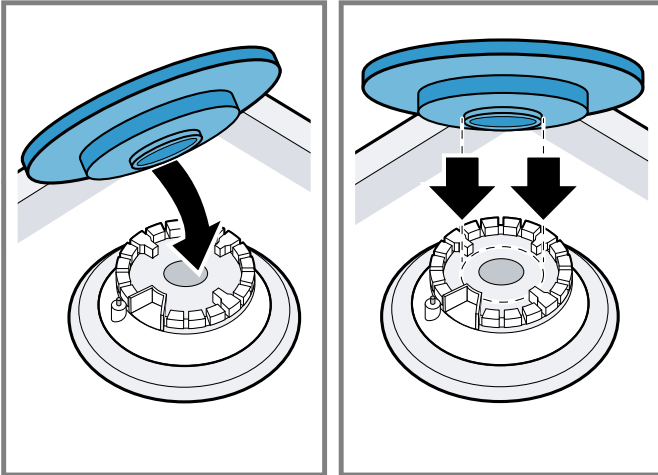
1	Chapeau du brûleur
2	Base du brûleur
3	Thermocouple
4	Allumeur

4.4 OptiSim® fonctionnalité

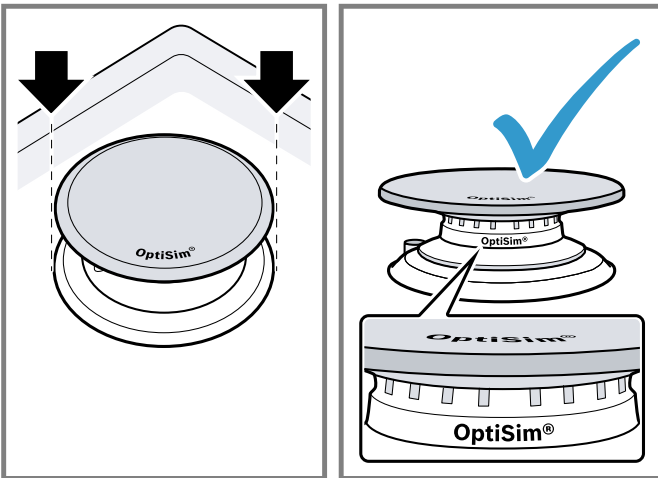
Le couvercle du brûleur OptiSim® a été conçu pour fonctionner avec le petit brûleur à la position avant gauche de la table de cuisson. Il est utilisé pour faire mijoter de façon optimale les sauces délicates tout en minimisant le risque de brûlure.

Installation du chapeau de brûleur OptiSim®

- Placez le chapeau du brûleur sur la base du brûleur, de sorte que la saillie inférieure se verrouille en place au centre de la base du brûleur.



- ✓ Lorsqu'il est correctement installé, le chapeau du brûleur OptiSim® s'étendra au-delà de la base du brûleur et de la surface surélevée.



4.7 Caractéristiques de la flamme

La couleur de la flamme vous indique si l'alimentation en gaz est correctement réglée.

Remarque : Laisser l'appareil fonctionner pendant 4 à 5 minutes avant d'évaluer la flamme. Des stries jaunes sont normales lors de la première mise en service.

Flamme	Image	Mesure
Complètement ou principalement jaune		Vérifiez que le régulateur est réglé pour le bon carburant. Recommencez le test après le réglage.

4.5 Grilles de brûleur

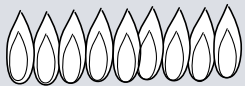
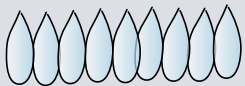
Placez correctement les grilles du brûleur dans la table de cuisson. Ne jamais faire fonctionner la table de cuisson sans les grilles du brûleur en place.

- Pour la position correcte des grilles du brûleur, reportez-vous à l'image de l'aperçu de l'appareil → Page 32.
- Placez les ustensiles de cuisine sur les grilles du brûleur. Ne placez jamais d'ustensiles de cuisine directement sur les brûleurs.
- Toujours retirer délicatement les grilles du brûleur. Lorsque vous déplacez une grille de brûleur, les grilles de brûleur à côté peuvent également bouger.

4.6 Brûleurs scellés

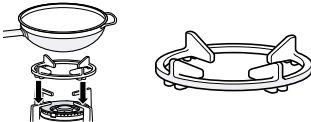
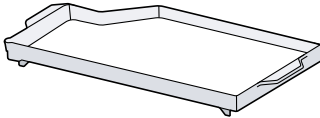
Votre nouvelle table de cuisson neuve dispose de brûleurs à gaz scellés. Il n'y a aucune pièce de brûleur à nettoyer, démonter ou régler sous la table de cuisson.

Votre table de cuisson a quatre tailles de brûleur différentes; petit, moyen, grand et extra-large. Faites correspondre chaque chapeau de brûleur avec la base de brûleur correspondante.

Flamme	Image	Mesure
Pointes jaunes sur les cônes extérieurs :		Normales pour un gaz de pétrole liquéfié
Bleu doux		Normales pour le gaz naturel

5 Accessoires

Utilisez uniquement des accessoires d'origine. Ils ont été spécialement conçus pour votre appareil.

Accessoires	Utilisation	
Adaptateur pour poêle wok		<ul style="list-style-type: none"> ■ Numéro de commande HEZ298102 ■ À utiliser pour cuisiner avec une poêle wok. ■ Convient uniquement pour une utilisation sur le brûleur extra large. Utiliser un ustensile de cuisson à base arrondie. ■ Pour prolonger la vie utile de l'appareil électroménager, nous vous recommandons d'utiliser l'adaptateur pour poêle wok.
Plaque		<ul style="list-style-type: none"> ■ Numéro de commande HEZ9GR58UC ■ Utilisez cette plaque spécialement conçue pour les aliments tels que les crêpes, les toasts français, les sandwichs grillés, le bacon, les légumes et les hamburgers. ■ La plaque chauffante Bosch est personnalisée pour s'adapter aux deux brûleurs du côté droit de toutes les tables de cuisson à gaz Bosch.

5.1 Accessoires

Vous pouvez acheter des accessoires auprès du service à la clientèle, dans les commerces spécialisés ou sur Internet. Utilisez uniquement les accessoires d'origine, car ils sont précisément adaptés à votre appareil.

Les accessoires sont spécifiques à l'appareil. Lors de l'achat, indiquez toujours la désignation exacte de votre appareil (E-Nr.). → *Page 43*

Pour connaître les accessoires disponibles pour votre appareil, consultez notre catalogue, notre boutique en ligne ou le service à la clientèle.

www.bosch-home.com

6 Ustensile de cuisine

Ces informations vous aideront à économiser de l'énergie et à éviter d'endommager votre batterie de cuisine.

6.1 Ustensile de cuisson convenable

N'utilisez que des ustensiles de cuisine de taille appropriée. L'ustensile de cuisson ne doit pas dépasser le bord de la table de cuisson.

Brûleur	Diamètre minimum de la base de l'ustensile de cuisson	Diamètre maximum de la base de l'ustensile de cuisson
Brûleur extra large	8 $\frac{2}{3}$ po (22 cm)	11 $\frac{3}{4}$ po (30 cm)
Grand brûleur	7 $\frac{3}{4}$ po (20 cm)	10 $\frac{1}{4}$ po (26 cm)
Brûleur moyen	5 $\frac{1}{2}$ po (14 cm)	7 $\frac{3}{4}$ po (20 cm)
Petit brûleur	4 $\frac{3}{4}$ po (12 cm)	6 $\frac{1}{4}$ po (16 cm)

Recommandations en matière d'ustensiles de cuisson

- Les casseroles à fond d'aluminium ou de cuivre conduisent la chaleur de façon uniforme.
- Les casseroles en acier inoxydable sans autres métaux n'offrent pas toujours une cuisson uniforme.
- Les ustensiles de fonte absorbent la chaleur lentement et cuisent plus uniformément à réglage moyen-faible.
- Des casseroles résistantes à fond plat sont stables et distribuent la chaleur uniformément.
- NE PAS UTILISER de casseroles minces, voilées, bosselées ou sillonnées, car elles ne distribuent pas la chaleur uniformément.

6.2 Utilisation des ustensiles de cuisson

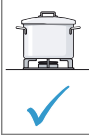





La sélection et le positionnement de la batterie de cuisine affectent la sécurité et l'efficacité énergétique de votre appareil.





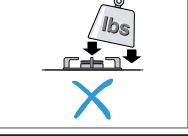
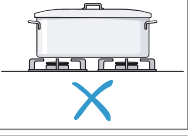

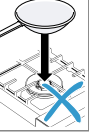
⚠ AVERTISSEMENT

Les objets inflammables peuvent s'enflammer.

- Maintenez une distance d'au moins 2 $\frac{1}{2}$ po (50 mm) entre la batterie de cuisine et les objets inflammables.

Remarque : Il est possible de percevoir une déformation temporaire de l'acier de la surface de cuisson lorsque vous utilisez certaines casseroles ou poêles. La déformation temporaire est normale et n'influence pas la fonctionnalité de l'appareil électroménager.

		Assurez-vous que la taille de la casserole est adaptée à la taille du brûleur. N'utilisez jamais de petits ustensiles de cuisine sur de gros brûleurs. Assurez-vous que la flamme ne touche pas les côtés de la casserole.
		N'utilisez pas d'ustensiles de cuisine déformés. Les ustensiles de cuisine déformés ne sont pas stables sur la table de cuisson et peuvent basculer. Utilisez des ustensiles de cuisine à fond plat et épais.
		Ne cuisinez pas sans couvercle. Assurez-vous que le couvercle ne bouge pas. Lors de la cuisson sans couvercle, une grande quantité d'énergie s'échappera.

		Placez l'ustensile au milieu du brûleur, sinon il risque de basculer. Ne placez pas de gros ustensiles de cuisine sur les brûleurs à proximité des commandes. Les commandes peuvent être endommagées en raison d'une surchauffe.
		Placez les ustensiles de cuisine sur les grilles du brûleur. Ne placez jamais la batterie de cuisine directement sur le brûleur. Avant d'utiliser l'appareil, assurez-vous que les grilles et les chapeaux des brûleurs sont correctement positionnés.
		Manipulez les ustensiles de cuisine qui se trouvent sur la table de cuisson avec soin. Ne cognez pas sur la table de cuisson. Ne placez pas de poids lourds sur la table de cuisson.
		N'utilisez jamais plusieurs brûleurs pour chauffer des ustensiles de cuisine, tels qu'un rôtissoire, une poêle, une pierre à griller. L'accumulation de chaleur qui en résulte endommagera l'appareil.
		Lorsque vous cuisinez avec un wok, utilisez l'anneau de wok. Placez l'anneau du wok sur le brûleur du wok sur la grille du brûleur. Assurez-vous que le wok est stable sur l'anneau du wok lorsque vous cuisinez.

7 Fonctionnement

Vous trouverez ici tout ce que vous devez savoir sur le fonctionnement de votre appareil.

7.1 Allumer un brûleur

La table de cuisson utilise des allumeurs électriques pour allumer les brûleurs.

- Placez des ustensiles de cuisine appropriés sur la grille du brûleur.
 - Appuyez sur le bouton de commande du brûleur sélectionné et tournez-le dans le sens inverse des aiguilles d'une montre jusqu'au $\frac{1}{2}$.
- ✓ Des étincelles seront produites à tous les brûleurs alors que vous tenez le bouton de commande enfoncé.

- ✓ La flamme du brûleur sélectionné s'allume.
 - 3. Relâcher le bouton de commande.
 - 4. **⚠ AVERTISSEMENT** Le gaz qui s'échappe peut s'enflammer.
 - ▶ Si le brûleur refuse de s'allumer après 15 secondes, ramener le bouton de commande en position d'arrêt et ouvrir la porte ou la fenêtre de la pièce. Attendez au moins 1 minute avant d'essayer de rallumer le brûleur.
- Tourner le bouton de commande à la position désirée.
- ✓ Le voyant du brûleur allumé sur le panneau de commande s'allume.
 - 5. Si le brûleur refuse de s'allumer, revenir à la position d'arrêt et recommencer les étapes décrites ci-dessus. Cette fois-ci, tenir le bouton de commande enfoncé plus longtemps (jusqu'à 10 secondes).

Remarque

Afin d'assurer le bon fonctionnement de l'appareil, respectez les instructions suivantes :

- Les pièces du brûleur et les grilles du brûleur doivent être correctement positionnées.
- Ne pas intervertir les chapeaux de brûleur des brûleurs individuels.
- Il est important de maintenir l'appareil électroménager propre. Nettoyer régulièrement les allumeurs avec une petite brosse non métallique. Prendre soin d'éviter de les frapper très fort.
- Les trous et les fentes du brûleur doivent être propres pour que la flamme soit correcte. Nettoyez régulièrement les brûleurs.

7.2 Allumer manuellement un brûleur

En cas de panne de courant, vous pouvez allumer les brûleurs manuellement.

1. Maintenez enfoncé le bouton de commande du brûleur sélectionné et tournez-le dans le sens inverse des aiguilles d'une montre jusqu'au niveau de puissance le plus élevé.
2. Tenir une allumette ou un briquet allumé contre le brûleur.

7.3 Système de sécurité anti-flamme

Votre table de cuisson est équipée d'un système de sécurité (thermocouple) qui coupe le gaz lorsque les brûleurs s'éteignent accidentellement pendant le fonctionnement, par exemple par un courant d'air. Afin d'allumer le brûleur, le système qui permet le passage du gaz doit être activé. Effectuez les étapes suivantes.

⚠ AVERTISSEMENT

Si la flamme du brûleur s'est éteinte accidentellement, mettez le bouton de commande à la position off (éteinte) et n'essayez pas de le rallumer pendant au moins 1 minute.

1. Allumez le brûleur comme d'habitude sans relâcher le bouton de commande.
2. Maintenez fermement le bouton de commande pendant 4 secondes après avoir allumé la flamme.

7.4 Éteindre un brûleur

- ▶ Tournez le bouton de commande dans le sens des aiguilles d'une montre à off.

7.5 Comportement normal pendant le fonctionnement

Le comportement suivant pendant le fonctionnement est normal.

- Un léger sifflement pendant le fonctionnement du brûleur.
- Dégagement d'odeurs lors de la première utilisation. Ceux-ci ne présentent aucun risque et disparaîtront avec le temps.
- Une flamme de couleur orange est normale. Elle est causée par des impuretés, telles que la présence de poussière dans l'atmosphère ou de liquides renversés.

8 Paramètres de cuisson recommandés

Suivez ces instructions pour de meilleurs résultats.

- Faites bouillir l'eau dans une casserole couverte au niveau de puissance le plus élevé en utilisant le plus grand brûleur. Si l'eau déborde, réduisez le niveau de puissance.
- Pour optimiser les résultats et faites fondre du chocolat ou du beurre et utilisez le plus petit brûleur avec un bain-marie.
- Pour faire mijoter un plat, amener d'abord les aliments à ébullition. Bien mélanger pour s'assurer que tout le contenu soit à ébullition puis mettre le couvercle et réduire la chaleur pour laisser mijoter.
- Quand un plat mijote, on doit voir un peu de vapeur et la surface du liquide doit osciller légèrement.
- Utiliser un couvercle pour maintenir une température de cuisson uniforme et aider à réchauffer les aliments plus rapidement.
- Vérifier les aliments à l'occasion pour voir s'il faut abaisser ou hausser la température avec le bouton de commande.
- Remuez les aliments de temps en temps.
- Déposer la casserole au centre du brûleur avant de l'allumer.
- Utiliser l'ustensile qui convient. → *Page 37*
- Reportez-vous au tableau de cuisson pour les réglages suggérés.

8.1 Tableau de cuisson

Processus de cuisson	Réglage de chaleur
Faire bouillir, comme l'eau, le bouillon, etc.	Élevé
Poêle à frire, faire sauter, faire dorer la viande, frire	Moyen élevé
Cuisson sauté, œufs, crêpes, bacon	Moyen
Cuire à la vapeur, braiser	Moyen faible
<ul style="list-style-type: none"> ■ Chocolat fondant ■ Faire fondre du beurre 	Faible

Processus de cuisson	Réglage de chaleur
<ul style="list-style-type: none"> Faire mijoter les sauces, les soupes et les ragoûts, comme la sauce tomate, la sauce Alfredo, le ragoût de bœuf, etc. <p>Remarque : Lorsque vous faites fondre du chocolat ou du beurre, utilisez le plus petit brûleur pour de meilleurs résultats.</p>	

9 Nettoyage et entretien

Pour que votre appareil reste longtemps opérationnel, nettoyez-le et entretenez-le avec soin.

9.1 Nettoyer l'appareil

MISE EN GARDE

Tous les allumeurs produisent une étincelle lorsqu'on allume un brûleur quelconque.

- ▶ Ne touchez pas les brûleurs lorsque la table de cuisson est en cours d'utilisation.

AVERTISSEMENT

Ne nettoyez pas la table de cuisson lorsqu'elle est en marche.

AVIS :

De l'humidité peut pénétrer à l'intérieur de l'appareil si vous retirez les boutons de commande pendant le nettoyage. Ceci pourrait endommager l'appareil.

- ▶ Ne pas retirer les boutons de commande lors du nettoyage de l'appareil.

- Laissez l'appareil électroménager refroidir.
- Nettoyez avec une éponge, de l'eau et du savon.
- Séchez avec un chiffon doux.

9.4 Recommandations en matière de nettoyage

Suivez ces recommandations de nettoyage pour les différentes pièces de votre appareil.

Pièce / matériau	Méthode de nettoyage appropriée	Notes importantes
Base de brûleur / alliage d'aluminium	<ul style="list-style-type: none"> Nettoyant non abrasif : savon à vaisselle et eau chaude Produits nettoyants légèrement abrasifs : Bon Ami¹ ou Soft Scrub¹ <p>Rincer et sécher immédiatement.</p>	<ul style="list-style-type: none"> N'égratignez ou n'abîmez pas les ouvertures de ports. Nettoyez les ports avec un fil ou un trombone étiré. N'utilisez pas de cure-dents, car ils risquent de casser. Ne pas immerger les bases des brûleurs. Pour les taches tenaces, utiliser une brosse à dents.

¹ Ces marques sont des marques déposées de leurs propriétaires respectifs. Toutes les autres marques sont des marques de BSH Home Appliances Corporation ou ses sociétés affiliées.

9.2 Nettoyer les brûleurs

Nettoyez les surfaces des brûleurs après chaque utilisation pour éviter qu'ils ne s'incrustent.

AVIS :

Ne nettoyez pas les pièces du brûleur au lave-vaisselle. Ils risquent d'être endommagés.

- Attendre que l'appareil se soit refroidi.
- Frottez avec une brosse non métallique et de l'eau savonneuse.
- Séchez complètement les brûleurs. S'il y a des gouttelettes d'eau ou des taches humides sur la table de cuisson lorsque vous commencez la cuisson, l'émail peut être endommagé.
- Remontez les pièces du brûleur. Assurez-vous que les chapeaux de brûleur sont correctement positionnés sur les bases des brûleurs.
→ "Placement du chapeau de brûleur et de la base du brûleur", Page 33

9.3 Nettoyage des grilles du brûleur

- Attendre que l'appareil se soit refroidi.
- Soulevez soigneusement les grilles du brûleur.
- Frottez avec une brosse non métallique et de l'eau savonneuse. Nettoyez soigneusement autour des pattes en caoutchouc. Si les pattes en caoutchouc se détachent, les grilles peuvent rayer la surface de cuisson.
- Séchez complètement les grilles des brûleurs. S'il y a des gouttelettes d'eau ou des taches humides sur la table de cuisson lorsque vous commencez la cuisson, l'émail peut être endommagé.
- Placez les grilles du brûleur dans leur position appropriée.
→ "Grilles de brûleur", Page 34

Pièce / matériau	Méthode de nettoyage appropriée	Notes importantes
Chapeau du brûleur / Émail vitrifié	<ul style="list-style-type: none"> ▪ Nettoyants non abrasifs : Savon à vaisselle et eau chaude, ammoniacque, Fantastic®¹ ▪ Produits nettoyants légèrement abrasifs : Bon Ami®¹, Ajax®¹, Comet®¹ ▪ Nettoyants liquides : Soft Scrub®¹ ▪ Pour les taches alimentaires : nettoyants abrasifs tels que Zud®¹, Barkeepers Friend®¹ <p>Rincer et sécher immédiatement.</p>	<ul style="list-style-type: none"> ▪ Les éclaboussures d'aliments acides et très sucrés détériorent l'émail. Les éclaboussures d'aliments acides et très sucrés détériorent l'émail. Retirez la saleté immédiatement après que l'appareil a suffisamment refroidi pour être touché. ▪ N'utilisez pas d'éponge ou de serviette mouillée sur de la porcelaine chaude. ▪ N'immergez pas les chapeaux des brûleurs. ▪ Utilisez toujours une pression minimale avec des produits nettoyants abrasifs. ▪ Sécher soigneusement le chapeau du brûleur après l'avoir nettoyé et l'insérer correctement sur sa base correspondante.
Boutons de commande et œillets	<p>Nettoyants non abrasifs : savon à vaisselle et eau chaude</p> <p>Sécher soigneusement après le nettoyage.</p>	<ul style="list-style-type: none"> ▪ Ne pas retirer les boutons de commande lors du nettoyage de l'appareil. L'appareil pourrait être endommagé si de l'humidité pénètre dans ce dernier. ▪ Ne retirez pas les œillets. Vous aurez besoin du service à la clientèle pour les remonter. N'UTILISEZ PAS LA TABLE DE CUISSON SANS TOUTES LES PIÈCES REPOSÉES CORRECTEMENT! ▪ Ne pas tremper les boutons de commande ou les œillets. ▪ Ne nettoyez pas les boutons de commande au lave-vaisselle, ils pourraient être endommagés. ▪ Ne pas utiliser de produits nettoyants abrasifs ou autres produits comme Bon Ami®, Ajax® ou Comet®. Ne pas utiliser de produits nettoyants abrasifs ou autres produits comme Bon Ami®¹, Ajax®¹ ou Comet®¹. Ils peuvent endommager le fini de façon permanente ou enlever les dessins.
Finis extérieur / Acier inoxydable	<ul style="list-style-type: none"> ▪ Nettoyez avec de l'eau savonneuse et un chiffon doux, puis rincez et séchez avec un chiffon doux. ▪ Conditionner l'acier avec le conditionneur pour acier inoxydable Bosch (pièce n° 00576696). Ne pas utiliser sur l'acier noir. ▪ Taches de calcaire : vinaigre blanc domestique ▪ Nettoyants abrasifs doux : nettoyant liquide pour acier inoxydable Kleen King®¹, Bon Ami®¹ ▪ Décoloration par la chaleur : Bar Keepers Friend®¹ <p>Rincer et sécher immédiatement.</p>	<ul style="list-style-type: none"> ▪ N'utilisez pas de tampons de laine d'acier. Ils égratigneront la surface. ▪ L'acier inoxydable résiste à la plupart des taches alimentaires et aux marques de corrosion pourvu que la surface soit propre et protégée. ▪ Ne laissez jamais de taches alimentaires ou du sel sur de l'acier inoxydable, peu importe la durée de temps ▪ Frottez délicatement dans le sens du grain. ▪ Le chlore ou les composés chlorés contenus dans certains produits nettoyants peuvent oxyder l'acier inoxydable. Vérifiez les ingrédients sur l'étiquette avant utilisation.

¹ Ces marques sont des marques déposées de leurs propriétaires respectifs. Toutes les autres marques sont des marques de BSH Home Appliances Corporation ou ses sociétés affiliées.

Pièce / matériau	Méthode de nettoyage appropriée	Notes importantes
Grilles de brûleur et pont de grille / émail porcelaine sur fonte	<ul style="list-style-type: none"> ■ Nettoyant non abrasif : eau chaude et détergent, Fantastic®¹ ■ Produits nettoyants légèrement abrasifs : Bon Ami®¹ ou Soft Scrub®¹ ■ Taches tenaces : utiliser des tampons de laine d'acier savonneux <p>Rincer et sécher immédiatement.</p>	<ul style="list-style-type: none"> ■ Les grilles sont lourdes; soyez prudent lorsque vous les soulevez. Déposez-les sur une surface protégée pour les nettoyer. ■ Les cloques, les craquelures ou les éclats sont courants en raison des températures extrêmes sur les doigts de la grille et des changements rapides de température. Les cloques, les craquelures ou les éclats sont courants en raison des températures extrêmes sur les doigts de la grille et des changements rapides de température. ■ Les éclaboussures d'aliments acides et très sucrés détériorent l'émail. Les éclaboussures d'aliments acides et très sucrés détériorent l'émail. Retirez la saleté immédiatement après que l'appareil a suffisamment refroidi pour être touché. ■ Si vous utilisez des nettoyants abrasifs trop vigoureusement ou trop souvent, ils peuvent éventuellement endommager l'émail. ■ Ne nettoyez pas la grille dans un four autonettoyant.
Allumeurs/céramique	<ul style="list-style-type: none"> ■ Essuyez soigneusement avec un coton-tige imbibé d'eau ou d'ammoniaque. ■ Retirez délicatement les salissures à l'aide d'un cure-dent. 	<ul style="list-style-type: none"> ■ Évitez les excès d'eau sur l'allumeur. Un allumeur humide empêchera le brûleur de s'allumer. ■ Enlevez les éventuelles peluches pouvant subsister après le nettoyage.

¹ Ces marques sont des marques déposées de leurs propriétaires respectifs. Toutes les autres marques sont des marques de BSH Home Appliances Corporation ou ses sociétés affiliées.

10 Dépannage

Vous pouvez éliminer vous-même les défauts mineurs de votre appareil. Veuillez lire les informations de dépannage avant de contacter le service à la clientèle. Cela peut éviter des frais de réparation inutiles.

AVERTISSEMENT

Des réparations mal exécutées sont dangereuses.

- ▶ Seuls les prestataires de services agréés doivent réparer l'appareil.
- ▶ Si l'appareil a un problème, appelez le service client.

AVERTISSEMENT

Les réparations non conformes sont dangereuses.

- ▶ Les réparations de l'appareil ne doivent être effectuées que par des prestataires de services agréés.
- ▶ Seules des pièces de rechange d'origine peuvent être utilisées pour réparer l'appareil.
- ▶ Si le cordon d'alimentation secteur de cet appareil est endommagé, il doit être remplacé par un cordon spécifique disponible auprès du fabricant ou de son service à la clientèle.

Défaut	Cause et dépannage
Le système électrique général de l'appareil ne fonctionne pas.	Le disjoncteur du panneau de disjoncteurs s'est déclenché. 1. Vérifier le disjoncteur ou le boîtier à fusibles de la résidence. 2. S'assurer que l'alimentation électrique de l'appareil est adéquate.
	La fiche du cordon d'alimentation n'est pas branchée. ▶ Branchez l'appareil au réseau électrique.
	Aucune alimentation électrique. ▶ Vérifiez si les lumières et les autres appareils dans la pièce fonctionnent.
L'allumage automatique ne fonctionne pas.	Des restes de nourriture, de la saleté ou des produits de nettoyage se trouvent entre les allumeurs et les brûleurs. ▶ Nettoyez l'espace entre l'allumeur et le brûleur.
	Les pièces du brûleur sont humides. ▶ Séchez soigneusement les pièces du brûleur.
	Les pièces du brûleur ne sont pas correctement positionnées. ▶ Positionnez correctement les pièces du brûleur.
	L'appareil n'est pas correctement connecté à l'alimentation électrique. ▶ Contactez un électricien qualifié.
La flamme du brûleur n'est pas uniforme.	Les pièces du brûleur ne sont pas correctement positionnées. ▶ Positionnez correctement les pièces du brûleur.
	Les rainures du brûleur sont sales. ▶ Nettoyer les rainures sur le brûleur.
Le débit de gaz est anormal ou il y a absence de gaz.	L'alimentation en gaz est bloquée par des vannes de gaz intermédiaires. ▶ Ouvrez les vannes de gaz.
	La bouteille de gaz est vide. ▶ Remplacez la bouteille de gaz.
Il y a une odeur de gaz dans la cuisine.	Une soupape de gaz a été laissée en marche. ▶ Fermez les robinets de gaz.
	Mauvais raccordement de la bouteille de gaz. ▶ Vérifiez le bon raccordement à la bouteille de gaz.
	Le tuyau de gaz vers l'appareil fuit. 1. Fermez l'alimentation en gaz au niveau de la vanne de gaz principale. 2. Aérez les locaux. 3. Avisez immédiatement un technicien d'installation autorisé pour vérifier et certifier l'installation. 4. N'utilisez pas l'appareil tant que vous n'êtes pas certain qu'il n'y a pas de fuite de gaz dans la conduite d'alimentation en gaz ou dans l'appareil.
Le brûleur s'éteint immédiatement après avoir relâché le bouton de commande.	Le bouton de commande n'a pas été enfoncé assez longtemps. 1. Maintenez le bouton de commande enfoncé pendant quelques secondes après l'allumage. 2. Appuyez fermement sur le bouton de commande.
	Les rainures du brûleur sont sales.

Défaut	Cause et dépannage
Le brûleur s'éteint immédiatement après avoir relâché le bouton de commande.	► Nettoyer les rainures sur le brûleur.

11 Élimination

La présente section contient des renseignements sur l'élimination d'appareils usagés.

11.1 Éliminer un appareil usagé

L'élimination dans le respect de l'environnement permet de récupérer de précieuses matières premières.

1. Débranchez la fiche du secteur.
2. Coupez le câble de raccordement secteur.
3. Éliminez l'appareil dans le respect de l'environnement.
Pour connaître les circuits d'élimination actuels, veuillez vous adresser à votre revendeur ou à votre administration municipale.

12 Service à la clientèle

Contactez notre service à la clientèle si vous avez des questions, si vous n'arrivez pas à corriger un défaut de l'appareil ou si ce dernier doit être réparé.

Lors de toute réparation réalisée dans le cadre de la garantie, nous nous assurons que votre appareil est réparé avec des pièces de rechange d'origine par un technicien dûment formé et agréé. Nous utilisons exclusivement des pièces de rechange d'origine lors des réparations.

Pour plus d'informations sur la durée et les conditions de la garantie dans votre pays, consultez nos modalités de garantie auprès de votre détaillant ou sur notre site Web. Si vous contactez le service à la clientèle, indiquez le numéro de modèle (E-Nr.) et le numéro de fabrication (FD) de l'appareil.

USA:

1-800-944-2904

www.bosch-home.com/us/owner-support/get-support

www.bosch-home.com/us/shop

CA:

1-800-944-2904

www.bosch-home.ca/en/service/get-support

www.bosch-home.ca/en/service/cleaners-and-accessories

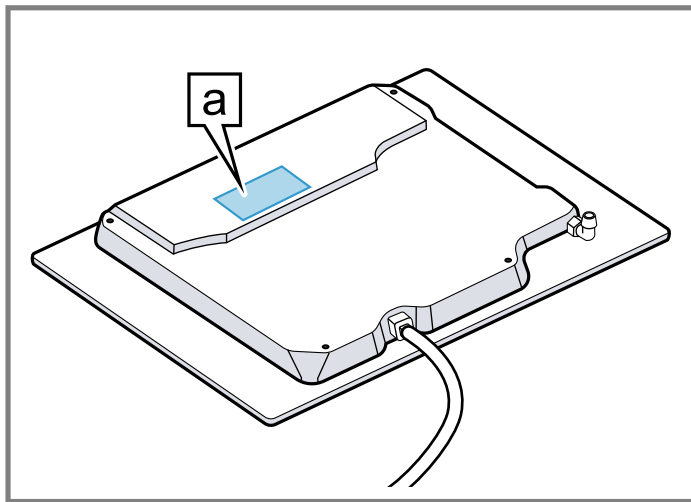
12.1 Numéro de modèle (E-Nr.) et numéro de fabrication (FD)

Le numéro de modèle (E-Nr.) et le numéro de fabrication (FD) sont indiqués sur la plaque signalétique de l'appareil. Pour retrouver rapidement les données de votre appareil et le numéro de téléphone du service à la clientèle, n'hésitez pas à les recopier ailleurs.

12.2 Emplacement de la plaque signalétique

Vous trouverez la plaque signalétique de votre appareil :

- Sur le certificat de l'appareil.
- sur la face inférieure de l'appareil



a Plaque signalétique

13 ÉNONCÉ DE LA GARANTIE LIMITÉE DU PRODUIT

13.1 Couverture de la garantie limitée

La garantie limitée fournie par BSH Home Appliances (« Bosch ») dans cet énoncé de garantie limitée s'applique seulement à l'appareil Bosch qui vous a été vendu (« Produit »), pour autant que le produit ait été acheté :

- Pour une utilisation normale résidentielle (non commerciale), et qu'en fait en tout temps a été utilisé pour un usage domestique normal;
- Neuf au moment de la vente au détail (non en montre, « tel quel » ou un modèle retourné antérieurement), qu'il n'est pas destiné à la revente ni à un usage commercial.
- aux États-Unis ou au Canada et qu'il est demeuré en tout temps dans le pays où l'appareil a été acheté.

Les garanties aux présentes s'appliquent à l'acheteur original du Produit sous garantie et à tout propriétaire successif du produit acheté pour une utilisation résidentielle habituelle et la durée de la garantie. Assurez-vous de renvoyer la carte d'enregistrement; bien que cette démarche ne soit pas nécessaire pour que la garantie soit valide, c'est la meilleure façon de permettre à Bosch de vous avertir dans l'éventualité improbable d'un avis de sécurité ou d'un rappel du produit.

13.2 Durée de la garantie

Bosch garantit que le Produit est exempt de défauts matériels et de fabrication, laquelle garantie s'applique pour une période de trois cent soixante-cinq (365) jours à compter de la date d'achat. La période susmentionnée commence à partir de la date d'achat et ne doit pas être retenue, retardée, prolongée, ou interrompue pour une raison quelconque. Ce produit est également garanti comme étant exempt de défauts **cosmétiques** au niveau

du matériau et de la fabrication (par ex. d'égratignures sur l'acier inoxydable, d'imperfections au niveau de la peinture/porcelaine, d'éclats, de bosses ou autres dommages à la finition du produit), pour une période de trente (30) jours à partir de la date d'achat ou de la date limite pour une construction neuve. La présente garantie **esthétique** exclut les variations légères de couleur causées par les différences inhérentes entre les sections peintes et les sections en porcelaine, de même que les différences causées par l'éclairage de la cuisine, l'emplacement du produit et autres facteurs similaires. La présente garantie **esthétique** exclut spécifiquement tous les appareils en montre, de plancher, « tel quel » et remis à neuf.

13.3 Réparation ou remplacement : votre recours exclusif

Pendant cette période de garantie, Bosch ou l'un de ses centres de réparations autorisés réparera gratuitement votre Produit (sous réserve de certaines restrictions aux présentes) si celui-ci présente des défauts de matériels ou de fabrication. Si des tentatives raisonnables pour réparer le produit sont vaines, alors Bosch remplacera le produit (un modèle supérieur peut être offert, à la seule discrétion de Bosch, moyennant des frais supplémentaires). Rien dans cette garantie n'exige que les pièces endommagées ou défectueuses soient remplacées par des pièces d'un type ou d'une conception différent de la pièce d'origine. Toutes les pièces ou les composants enlevés demeurent la seule propriété de Bosch. Toute pièce remplacée ou réparée doit être identique à la pièce d'origine aux fins de la présente garantie et la garantie ne sera pas prolongée en regard de telles pièces. La seule responsabilité de Bosch est de faire réparer le produit défectueux uniquement par un centre de réparation autorisé pendant les heures de travail normales. Pour la sécurité et éviter des dommages matériels, Bosch recommande fortement de ne pas réparer le produit soi-même ni de le faire réparer par un centre de réparation non-autorisé; Bosch ne sera pas tenue responsable de réparations ou de travail effectués par un centre de réparation non autorisé. Les centres de réparation autorisés sont les personnes ou les entreprises qui ont été spécialement formées sur les produits Bosch et qui possèdent, selon l'opinion de Bosch, une réputation supérieure pour le service après-vente et la capacité technique (il est à noter qu'elles sont des entités indépendantes et non des agents, partenaires, affiliés ou représentants de Bosch). Nonobstant ce qui suit, Bosch ne sera pas tenue responsable d'aucune façon si le produit est situé dans une région éloignée (supérieure à 100 miles d'un centre de réparation autorisé) ou n'est pas accessible de façon raisonnable, dans un environnement ou un local dangereux, menaçant ou périlleux; dans une telle éventualité, à la demande du consommateur, Bosch pourrait encore payer les frais de main-d'œuvre et de pièces et expédier les pièces au centre de réparation autorisé le plus près, mais le consommateur serait entièrement responsable pour tous les frais de

déplacement et autres frais spéciaux encourus par le centre de réparation, en autant qu'il accepte la demande de réparation.

13.4 Produit hors garantie

Bosch n'a aucune obligation, aux termes de la loi ou autrement, d'offrir toute concession, incluant réparation, prorata ou remplacement de produit une fois la garantie expirée.

13.5 Exclusions de garantie

La couverture de garantie décrite dans les présentes exclut tous les défauts ou dommages pour lesquels Bosch serait directement imputable, y compris, sans s'y limiter, l'un ou plusieurs des cas suivants :

- Utilisation du produit autre qu'un usage normal, habituel et de la façon destinée (incluant, sans s'y limiter, toute forme d'utilisation commerciale, d'utilisation ou de rangement d'un produit pour l'intérieur à l'extérieur, d'utilisation du produit de concert avec un transporteur aérien ou marin).
- Mauvaise conduite de toute partie, négligence, mauvaise utilisation, abus, accidents, fonctionnement inadéquat, mauvais entretien, installation inadéquate ou négligente, altération, manquement d'observer les instructions de fonctionnement, mauvaise manipulation, service non autorisé (incluant réparation par le consommateur ou exploration du fonctionnement interne du produit).
- Réglage, modification ou altération de tout type.
- Non conformité aux normes fédérales, provinciales, municipales ou électriques en vigueur au pays, aux codes de plomberie ou du bâtiment, aux réglementations ou aux lois, incluant le non respect d'installer le produit en stricte conformité avec les codes et les réglementations du bâtiment et d'incendie locaux.
- Bris et usure normaux, déversements d'aliments ou de liquides, accumulations de graisse ou d'autres substances dans, sur ou autour du Produit.
- Toute force ou tout facteur externe, élémentaire et / ou environnemental, incluant sans limitation, la pluie, le vent, le sable, les inondations, les incendies, les coulées de boue, le gel, l'humidité excessive ou l'exposition prolongée à l'humidité, la foudre, les surtensions, les problèmes de structure autour de l'appareil et les désastres naturels.
- Demandes de service visant à corriger l'installation de votre Produit, à obtenir des conseils à propos de son utilisation, à remplacer les fusibles de votre maison ou à réparer l'installation électrique ou la plomberie de votre foyer.

En aucun cas, Bosch ne sera tenue responsable de dommages survenus à la propriété environnantes, incluant les armoires, les planchers, les plafonds et les autres objets ou structures situés autour du produit. Également exclus de la garantie sont les Produits dont les numéros de série ont été modifiés, effacés ou enlevés; les demandes de réparations pour enseigner le fonctionnement du Produit ou les visites où il n'y a aucun problème avec le produit; la correction de problèmes d'installation (le consommateur est seul responsable pour toute structure et tout réglage du Produit, incluant l'électricité, la plomberie et les autres raccordements nécessaires, pour une fondation / plancher approprié[e], et

pour toute modification incluant, sans limitation, armoires, murs, planchers, tablettes, etc.) et le réenclenchement de disjoncteurs ou le remplacement de fusibles.

DANS LA MESURE AUTORISÉE PAR LOI, LA PRÉSENTE GARANTIE PRÉCISE LES RECOURS EXCLUSIFS DONT VOUS DISPOSEZ À L'ÉGARD DU PRODUIT, QUE LA DEMANDE SOIT FONDÉE SUR UN CONTRAT OU DÉLIT (Y COMPRIS RESPONSABILITÉ ABSOLUE OU NÉGLIGENCE) OU AUTRE. LA PRÉSENTE GARANTIE REMPLACE TOUTES LES AUTRES GARANTIES, EXPRESSES OU IMPLICITES. TOUTES GARANTIES IMPLICITES AUX TERMES DE LA LOI, QUE SE SOIT LES GARANTIES DE QUALITÉ MARCHANDE OU D'APTITUDE À UN USAGE PARTICULIER, OU AUTRES, SONT LIMITÉES DANS LE TEMPS À LA DURÉE DE CETTE GARANTIE LIMITÉE EXPRESSE. LE FABRICANT NE SERA EN AUCUN CAS RESPONSABLE DE DOMMAGES CONSÉCUTIFS, SPÉCIAUX, ACCESSOIRES, INDIRECTS OU DE « PERTES COMMERCIALES » ET / OU DE DOMMAGES PUNITIFS, DE PERTES OU DE DÉPENSES, Y COMPRIS SANS S'Y LIMITER, ABSENCE DU TRAVAIL, FRAIS D'HÔTEL ET / OU FRAIS DE RESTAURANT, FRAIS DE REMANIEMENT EN EXCÉDENT DES DOMMAGES DIRECTS QUI SONT DÉFINITIVEMENT CAUSÉS EXCLUSIVEMENT PAR BOSCH, OU AUTREMENT. CERTAINS ÉTATS N'AUTORISENT PAS L'EXCLUSION OU LA LIMITATION DE DOMMAGES ACCESSOIRES OU CONSÉCUTIFS, ET CERTAINS ÉTATS N'AUTORISENT PAS LA LIMITATION DE LA DURÉE DES GARANTIES IMPLICITES. PAR CONSÉQUENT, LES EXCLUSIONS OU LES LIMITES SUSMENTIONNÉES POURRAIENT NE PAS VOUS CONCERNER. LA PRÉSENTE GARANTIE VOUS DONNE DES DROITS PRÉCIS RECONNUS PAR LA LOI ET VOUS POUVEZ ÉGALEMENT AVOIR D'AUTRES DROITS QUI VARIENT D'UN ÉTAT À L'AUTRE.

Aucune tentative de modifier, changer ou amender la présente garantie ne peut être valide sans le consentement écrit autorisé par un dirigeant de BSH.

13.6 Obtention du service de garantie

Pour obtenir le service de garantie de votre produit, vous devez contacter le service client Bosch au 1-800-944-2904 pour planifier une réparation.



A series of horizontal lines for writing, starting from the top right of the pencil icon and extending across the width of the page. The lines are evenly spaced and cover most of the page's vertical space.



A series of horizontal lines for writing, starting from the top line and extending down the page.



Thank you for buying a Bosch Home Appliance!

Register your new device on MyBosch now and profit directly from:

- **Expert tips & tricks for your appliance**
- **Warranty extension options**
- **Discounts for accessories & spare-parts**
- **Digital manual and all appliance data at hand**
- **Easy access to Bosch Home Appliances Service**

Free and easy registration – also on mobile phones:
www.bosch-home.com/welcome

BOSCH
HOME APPLIANCES
SERVICE

Looking for help? You'll find it here.

Expert advice for your Bosch home appliances, help with problems or a repair from Bosch experts.

Find out everything about the many ways Bosch can support you:

www.bosch-home.com/service

Contact data of all countries are listed in the attached service directory.

BSH Home Appliances Corporation

1901 Main Street, Suite 600

Irvine, CA 92614

USA

www.bosch-home.com

1-800-944-2904

© 2021 BSH Home Appliances Corporation



8001215964 (011130)

en-us, fr-ca