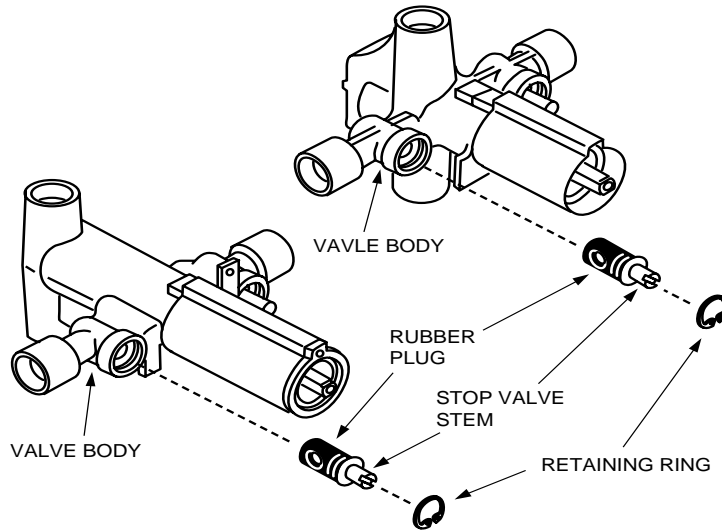


MOEN®

INSTALLATION INSTRUCTIONS

THESE INSTRUCTIONS MUST BE
LEFT WITH HOME OWNER



TO REMOVE STOP VALVE

Always turn water supply OFF before disassembly. Open faucet to alleviate sustained pressure.

Removal of stop valve:

1. Remove knob and escutcheon (pry off handle cap and remove handle screw).
2. Using snap ring pliers, remove retaining ring from valve body.
3. Grip stop valve stem with pliers and rotate slightly to remove from valve body.

Re-Installation of new stop valve:

1. Check to be sure that stop valve stem is fully seated in plug.
2. Insert stop valve until fully seated beyond retaining ring groove in valve body.
3. Using snap ring pliers, place retaining ring in valve body, making sure that ring is fully seated.
4. Check orientation of stop valve for water flow. (Stop is in the off position when screwdriver slot is vertical).
5. Turn water supply on.

Not for use with Moentrol valves.

MOEN®