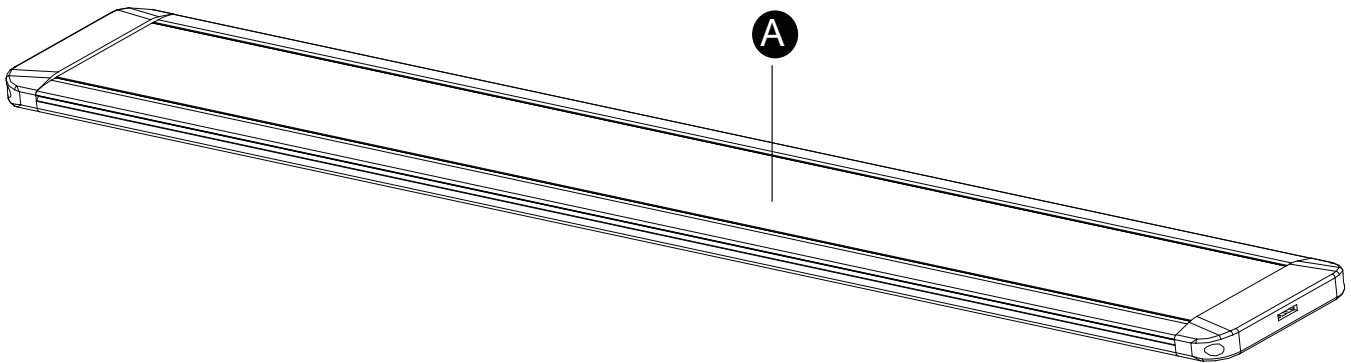




Questions, problems, missing parts?

Before returning to your retailer, call our customer service at 1-800-887-6326
Monday – Friday 9:00 a.m. – 5:00 p.m. CST

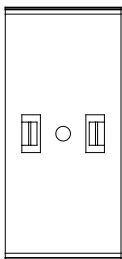
PACKAGE CONTENTS



Works With SKU# 346-7200
As Child Light Only

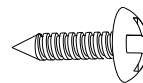
HARDWARE CONTENTS Note: Hardware not shown actual size.

AA



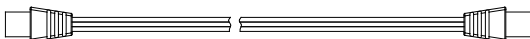
Mounting Clip
X2

BB



Drywall Screw
X2

CC



Link Cord
X1

SAFETY INFORMATION

Please read and understand this entire manual before attempting to assemble, operate or install the product.

WARNING

- Turn off electricity at main fuse box (or circuit breaker box) before beginning installation by removing fuse (or switching off circuit breaker).
- Be careful not to damage or cut the wire insulation (covering) during fixture installation. Do not permit wires to contact any surface having a sharp edge. To do so may damage or cut the wire insulation, which could cause serious injury or death from electric shock.
- LED electronics can be damaged by electro static discharge (ESD) shock. Before installation, discharge yourself by touching a grounded bare metal surface to remove this hazard. To avoid damage, do not touch the LED module.

CAUTION

- All electrical connections must be in agreement with local codes, ordinances or the national electric code (NEC). Contact your municipal building department to learn about your local codes, permits and/or inspections.
- Risk of fire – most dwellings built before 1985 have supply wire rated for 140°F/60°C. Consult a qualified electrician before installation.

PREPARATION

Before beginning assembly, installation or operation of product, make sure all parts are present. Compare parts with package contents list and diagram on previous page. If any part is missing or damaged, do not attempt to assemble, install or operate the product. Contact customer service for replacement parts.

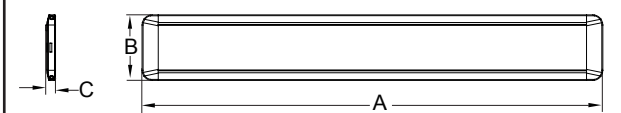
Tools Required for Assembly (not included): Phillips Screwdriver, Safety Glasses, Ladder.

ASSEMBLY INSTRUCTIONS

Important to know

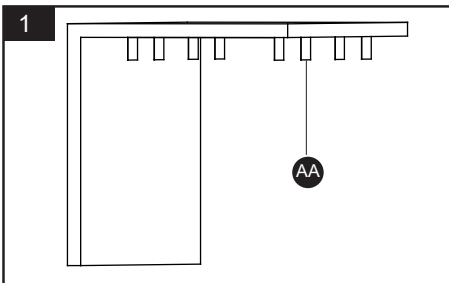
1. The fixture is dimmable, but it must be work with SKU# 346-7200 to achieve this funtion.
2. Do not use in wet locations, use indoors only.
3. Non-replaceable LEDs.
4. Caution: LEDs emit bright light. Avoid looking directly into the light source for prolonged periods to avoid eye damage.
5. Specifications: Refer to the right chart.
6. Work with SKU# 346-7200 as child light.

NO.	Item #.	Dimension(inch)			Watts
		A	B	C	
1	346-7201	18	2.5	0.38	12

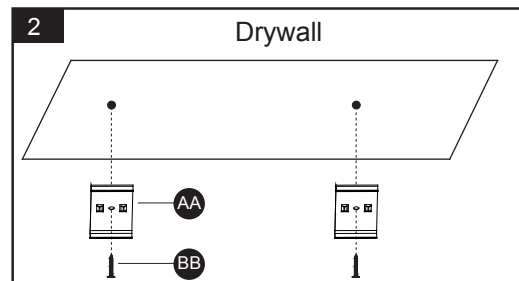


The technical drawing shows a perspective view of the LED fixture. Dimension A is the length of the fixture, dimension B is the height, and dimension C is the diameter of the mounting end.

Installation Steps

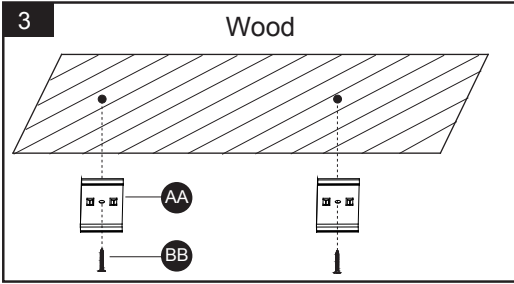


1. • Identify and mark the desired location for the LED fixture, then place the mounting clips (AA) in the desired location and mark the intended positions of the holes with a pencil.
 - The distance between two mounting clips (AA) should be less than the length of the light, but more than half the length of the light.

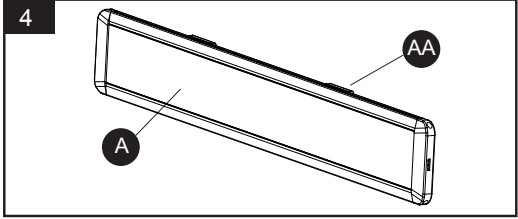


2. **For mounting to drywall:**
Drill holes at the two locations. Position the mounting clips (AA) on the locations on the drywall, then secure them with drywall screws (BB).

ASSEMBLY INSTRUCTIONS (continued)



3. For mounting to wood:
 Drill holes at the two locations. Position the mounting clips (AA) on the locations on the wood, then secure them with drywall screws (BB).

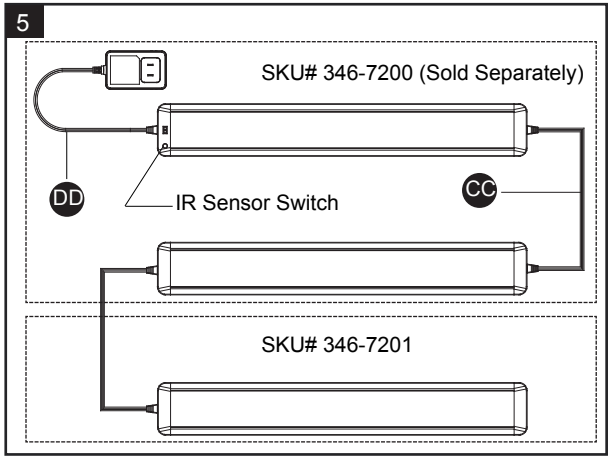


4. Attach the light fixture (A) to the mounting clips (AA) by sliding one side of the fixture into the mounting clips (AA) first, then press and push the other side of the fixture into the mounting clips (AA).

5. Linking multiple fixtures:

The fixture can be connected together in a series using the link cord (CC) included with this product. Must work with SKU# 346-7200 as child light. The fixture can be linkable up to a set of SKU# 346-7200 maximum.

1. This fixture can be connected by inserting the link cord (CC) into the connecting hole at the end of the fixtures. When using the link cord (CC), the maximum distance between two light fixtures is 18" and the connector of the link cord ("TOP" mark) must be consistent with the light-emitting surface.
2. Provide power to the fixtures only after all linking connections have been made.



The following parts are available for re-order if damaged or missing. Call our toll free at 1-800-887-6326

Spare Parts List:

<p>AA</p>	<p>BB</p>	<p>CC</p>
<p>Mounting Clip X2</p>	<p>Drywall Screw X2</p>	<p>Link Cord X1</p>

Assembly Kit
6423MM (1 SET)



CARE AND MAINTENANCE

Caution: Before attempting to clean the fixture, disconnect the power to the fixture by turning the breaker off or removing the fuse from the fuse box.

This LED light fixture is made from quality materials that will last many years with minimum care. You may want to periodically clean the fixture with a soft cloth. To maintain the best appearance of the fixture, do not use cleaners with chemicals, solvents or harsh abrasives. Do not use liquid cleaner on the LEDs, LED drive, or wiring inside the light fixture.

TROUBLESHOOTING

PROBLEM	POSSIBLE CAUSE	CORRECTIVE ACTION
The fixture doesn't light up.	It will not light up when separated use.	Must be work with 346-7200.
	The circuit breaker is off.	Check to ensure the circuit breaker is in the on position.
	There is a bad connection.	Check to ensure proper wire connections are made. Contact a qualified electrician.
The light flashes.	Too many fixtures connected.	Linkable up to three fixtures at most.
The fuse blows or circuit breaker trips when the light is turned on.	The wires are crossed or the power wire is grounding out.	Check to ensure proper wire connections are made. Contact a qualified electrician.

If unable to fix any of the above issues, please consult a certified electrician.

FIVE-YEAR LIMITED WARRANTY: If, during normal use, this PATRIOT LIGHTING® lighting fixture breaks or fails due to a defect in material workmanship within five (5) years from the date of original purchase, simply bring this lighting fixture with the original sales receipt back to your nearest MENARDS® retail store. At its discretion, PATRIOT LIGHTING® agrees to have the product or any defective part(s) repaired or replaced with the same or similar PATRIOT LIGHTING® product or part free of charge, within the stated warranty period, when returned by the original purchaser with original sales receipt. This warranty; (1) excludes expendable parts including but not limited to light bulbs; (2) does not cover damage that has resulted from abuse or misuse; and (3) does not cover any losses, labor, injuries to persons/property or costs. This warranty does give you specific legal rights and you may have other rights, which vary from state to state.



Questions, problems, missing parts?

Before returning to your retailer, call our customer service at 1-800-887-6326
Monday – Friday 9:00 a.m. – 5:00 p.m. CST