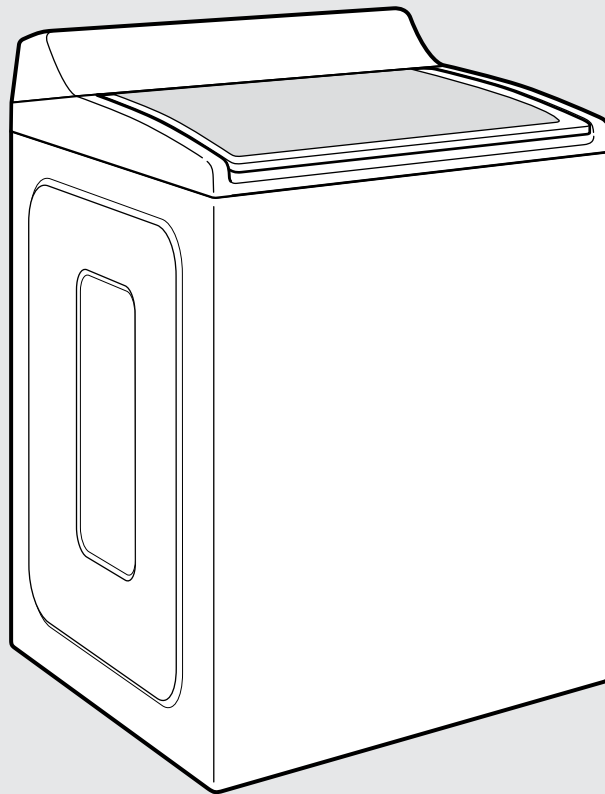




Use & Care Guide Guide d'utilisation et d'entretien

Top-Loading High Efficiency Washer Laveuse haute efficacité avec chargement par le dessus



Para obtener acceso al Manual de uso y cuidado en español, o para obtener información adicional acerca de su producto, visite: www.maytag.com.

If you have any problems or questions, visit us at www.maytag.com
Pour tout problème ou tout question, consulter www.maytag.ca



Designed to use only HE High Efficiency detergents.
Conçue pour l'utilisation d'un détergent haute efficacité seulement.

W10894759A
W10894760A-SP



Table of Contents

WASHER SAFETY.....	2
WHAT'S NEW UNDER THE LID?	4
CONTROL PANEL AND FEATURES.....	5
CYCLE GUIDE.....	7
USING YOUR WASHER.....	9
WASHER MAINTENANCE.....	12
TROUBLESHOOTING	14
WARRANTY	19
ASSISTANCE OR SERVICE	BACK COVER

Table des matières

SÉCURITÉ DE LA LAVEUSE	20
QUOI DE NEUF SOUS LE COUVERCLE?	21
TABLEAU DE COMMANDE ET CARACTÉRISTIQUES.....	22
GUIDE DE PROGRAMMES.....	25
UTILISATION DE LA LAVEUSE	27
ENTRETIEN DE LA LAVEUSE.....	30
DÉPANNAGE	32
GARANTIE.....	38
ASSISTANCE OU SERVICE	COUVERTURE ARRIÈRE

WASHER SAFETY

Your safety and the safety of others are very important.

We have provided many important safety messages in this manual and on your appliance. Always read and obey all safety messages.



This is the safety alert symbol.

This symbol alerts you to potential hazards that can kill or hurt you and others.

All safety messages will follow the safety alert symbol and either the word "DANGER" or "WARNING." These words mean:

! DANGER

You can be killed or seriously injured if you don't immediately follow instructions.

! WARNING

You can be killed or seriously injured if you don't follow instructions.

All safety messages will tell you what the potential hazard is, tell you how to reduce the chance of injury, and tell you what can happen if the instructions are not followed.

IMPORTANT SAFETY INSTRUCTIONS

WARNING: To reduce the risk of fire, electric shock, or injury to persons when using the washer, follow basic precautions, including the following:

- Read all instructions before using the washer.
- Do not wash articles that have been previously cleaned in, washed in, soaked in, or spotted with gasoline, dry-cleaning solvents, other flammable, or explosive substances as they give off vapors that could ignite or explode.
- Do not add gasoline, dry-cleaning solvents, or other flammable, or explosive substances to the wash water. These substances give off vapors that could ignite or explode.
- Under certain conditions, hydrogen gas may be produced in a hot water system that has not been used for 2 weeks or more. **HYDROGEN GAS IS EXPLOSIVE.** If the hot water system has not been used for such a period, before using the washing machine, turn on all hot water faucets and let the water flow from each for several minutes. This will release any accumulated hydrogen gas. As the gas is flammable, do not smoke or use an open flame during this time.
- Do not allow children to play on or in the washer. Close supervision of children is necessary when the washer is used near children.
- Before the washer is removed from service or discarded, remove the door or lid.
- Do not reach into the washer if the drum, tub or agitator is moving.
- Do not install or store the washer where it will be exposed to the weather.
- Do not tamper with controls.
- Do not repair or replace any part of the washer or attempt any servicing unless specifically recommended in this manual or in published user-repair instructions that you understand and have the skills to carry out.
- See “Electrical Requirements” located in the installation instructions for grounding instructions.

SAVE THESE INSTRUCTIONS

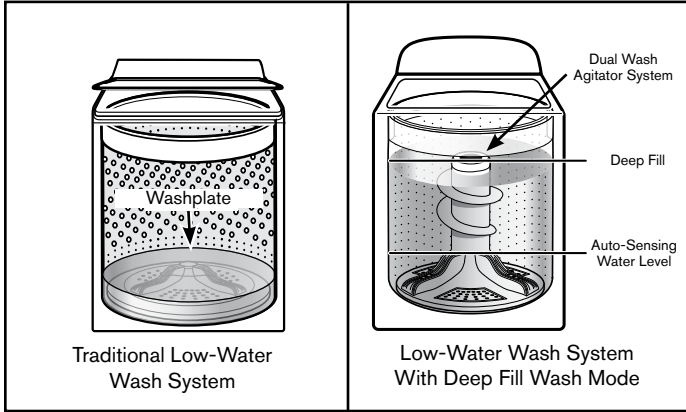
State of California Proposition 65 Warnings:

WARNING: This product contains one or more chemicals known to the State of California to cause cancer.

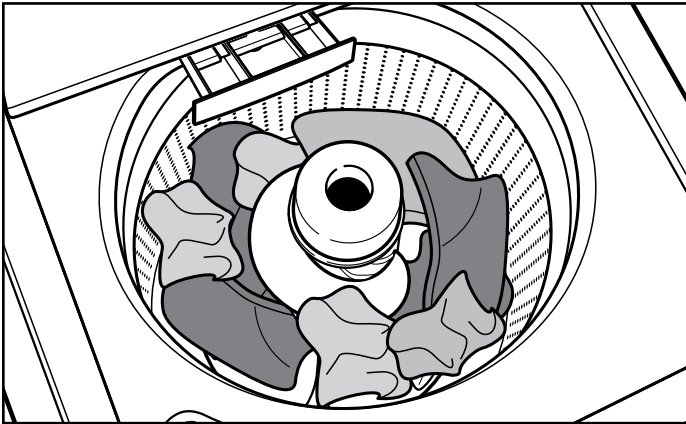
WARNING: This product contains one or more chemicals known to the State of California to cause birth defects or other reproductive harm.

WHAT'S NEW UNDER THE LID?

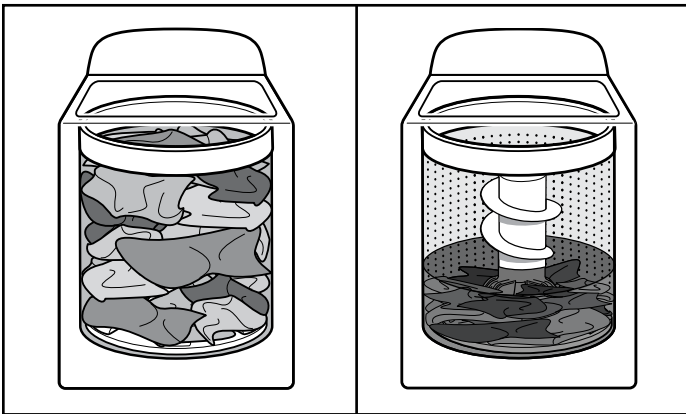
More Water When You Need It



The most striking difference in your new washer is the Dual Wash Agitator System. In Auto-Sensing Water Level mode, the washer automatically adjusts the water level to the optimal amount for a High Efficiency wash of the detected load size. In Deep Fill mode, the washer will fill to a pre-determined water level independent of load size, allowing for greater flexibility in how you wash your clothes.



For best performance, it is recommended to load items in loose heaps evenly around the agitator.



As the washer dampens and moves the load, the level of the items will settle in the basket. This is normal, and does not indicate that more items should be added.

Automatic Load Size Sensing

Once you start the cycle, the lid will lock, and the washer will begin the sensing process to determine the correct water level for the load. This may take several minutes before water is added. You will find a step-by-step description in the "Cycle Status Lights" section.

Initially the basket will start to spin prior to adding water, this is part of the sensing process and is normal.

Choosing the Right Detergent

Use only High Efficiency detergents. The package will be marked "HE" or "High Efficiency." High Efficiency wash systems create excessive sudsing with a regular non-HE detergent. Using regular detergent will likely result in longer cycle times and reduced rinsing performance. It may also result in component failures and noticeable mold or mildew. HE detergents are made to produce the right amount of suds for the best performance. Follow the manufacturer's instructions to determine the amount of detergent to use and do not go over the Max line on the dispenser. See "Using Laundry Product Dispensers" for more information.

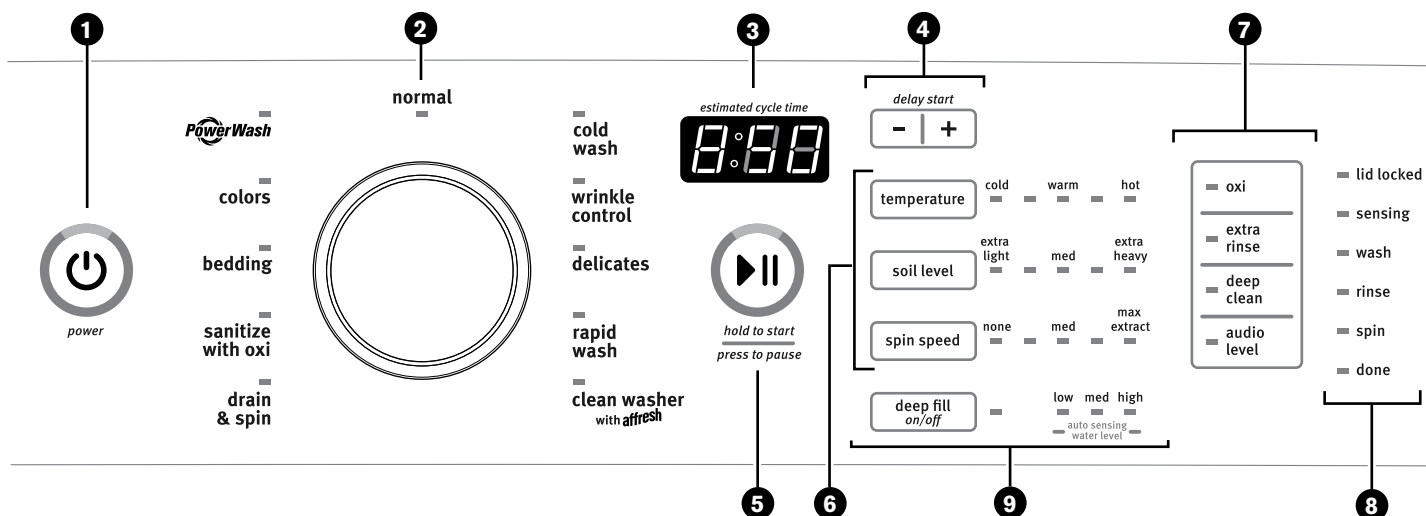


Use only High Efficiency (HE) detergent.

Normal Sounds You Can Expect

At different stages of the wash cycle, you may hear sounds and noises that are different from those of your previous washer. For example, you may hear a clicking and hum at the beginning of the cycle as the lid lock goes through a self-test. There will be different kinds of humming and whirring sounds as the agitator moves the load and as the basket is slowing down to stop. Sometimes, you may hear nothing at all as the washer determines the correct water level for your load or allows time for clothes to soak.

CONTROL PANEL AND FEATURES



NOTE: The control panel features a sensitive surface that responds to a light touch of your finger. To ensure your selections are registered, touch the control panel with your finger tip, not your fingernail. When selecting a setting or option, simply touch its name until the desired section is illuminated.

1 POWER

Touch to turn the washer on and off. Touch to stop/cancel a cycle at any time.

2 WASH CYCLE KNOB

Use the Wash Cycle knob to select available cycles on your washer. Turn the knob to select a cycle for your laundry load. See “Cycle Guide” for detailed descriptions.

3 ESTIMATED CYCLE TIME

The Estimated Cycle Time display shows the time required for the cycle to complete. Factors such as load size and water pressure may affect the time shown in the display. Overloading, unbalanced loads, or excessive suds may cause the washer to adjust the cycle time, as well.

4 DELAY START

Use “+” and “-” to delay the start of the wash cycle by up to 12 hours. To turn off Delay Start, use “+” and “-” to set the delay time to “0,” or touch POWER.

5 START/PAUSE BUTTON

Touch and hold START/PAUSE button for up to 3 seconds or until the washer starts to begin the selected cycle. To pause a cycle after it has started, press the START/PAUSE button again.

NOTE: If the washer is spinning, it may take several minutes to unlock the lid.

6 CYCLE MODIFIERS

The following options may be added to most cycles.

TEMPERATURE

Wash temperature senses and maintains uniform water temperatures by regulating incoming hot and cold water. Select a wash temperature based on the type of fabric and soils being washed. For best results and following the garment label instructions, use the warmest wash water safe for your fabric.

- On some models and cycles, warm and hot water may be cooler than your previous washer.
- Even in a cold and cool water wash, some warm water may be added to the washer to maintain a minimum temperature.

SOIL LEVEL

Select the most suitable setting for your load. For heavily soiled items, select Extra Heavy Soil Level for more wash time. For lightly soiled items, select Extra Light Soil Level for less wash time.

Lighter soil level setting will help reduce tangling and wrinkling.

SPIN SPEED

Select the most suitable setting for your load.

7 CYCLE OPTIONS

The following options may be added to most cycles.

OXI

This washer is designed to dispense laundry boosters such as oxygenated stain treaters and color-safe bleach at the right time in the cycle for best cleaning performance. Do not use laundry boosters and chlorine bleach in the same cycle.

EXTRA RINSE

This option can be used to automatically add a second rinse to most cycles.

NOTE: If you want to Rinse and Spin, select the Drain & Spin cycle; then touch to turn on the Extra Rinse option.

DEEP CLEAN w/Steam (depending on model)

This option adds additional soak and wash time to many cycles to help remove tough stains, as well as a steam boost for added cleaning power. Deep Clean w/Steam uses a heater within the washer to maintain the selected temperature setting throughout the wash period. Deep Clean w/Steam may be selected as an option with other cycles.

DEEP CLEAN (depending on model)

This option provides enhanced cleaning action for tough stains. It will add additional agitation and soak time to the cycle.

AUDIO LEVEL

Use this option to adjust volume of the signal that sounds at the end of cycle and key pad sounds. Touch once for low, a second time for off, and a third time to loop back to high. A higher signal is helpful in removing items as soon as cycle is complete. Default setting is high.

8 CYCLE STATUS LIGHTS

The Cycle Status Lights show the progress of a cycle. At each stage of the process, you may notice sounds or pauses that are different from traditional washers.

SENSING

When the START/Pause button is touched, the washer will first perform a self-test on the lid lock mechanism. You will hear a click, the basket will make a slight turn, and the lid will unlock briefly before locking again.

Once the lid has locked the second time, the washer will use short, slow spins to estimate the load size. These sensing spins may take 2 to 3 minutes before water is added to the load and you may hear the hum of these spins. If the sensing light is on, then washer is working properly. You will hear the

motor turn the basket in short pulses to thoroughly wet the load. The washer will then move the load briefly, pause to allow water to soak in to the load, and resume adding water. This process may repeat until the correct amount of water has been added for the load. You may also hear water flowing through the dispenser, adding detergent to the load.

NOTE: Avoid opening lid during sensing. The sensing process will start over when the washer is restarted. The sensing light may also come on during the Wash portion of the cycle. This is normal.

WASH

You will hear the motor and agitator moving the load. Unlike traditional washers, the load is not covered with water. Rather than diluting detergent as done in an agitator-style washer, this washer delivers the detergent directly to the soils. The motor sounds may change at different stages in the cycle. The wash time is determined by the selected soil level.

RINSE

You will hear sounds similar to the wash cycle as the washer rinses and moves the load. Fabric softener will be added if the Timed Dispensers Fabric Softener option was selected.

SPIN

The washer spins the load at increasing speeds for proper water removal, based on the selected cycle and spin speed.

DONE

Once the cycle is complete, this light will come on. Remove the load promptly for best results.

LID LOCKED

To allow for proper load sensing and spinning, the lid will lock and the Lid Locked light will turn on. This light indicates that the lid is locked and cannot be opened.

If you need to open the lid, touch START/Pause. The lid will unlock once the washer movement has stopped. This may take several minutes if the load was spinning at high speed. Touch and hold START/PAUSE button again for up to 3 seconds to restart the cycle.

Avoid opening the lid during sensing. The sensing process will start over when the washer is restarted.



9 DEEP FILL & AUTO SENSING WATER LEVEL STATUS LIGHTS

DEEP FILL

The Deep Fill mode is OFF by default but can be turned on for any cycle except Sanitize with Oxi & Steam or Sanitize with Oxi (depending on model), Drain & Spin, and Clean Washer.

When selecting Deep Fill, the Deep Fill light will turn on and the Auto Sensing Water Level Status Lights will turn off.

In Deep Fill mode, the washer will fill to a pre-determined water level independent of load size, allowing for greater flexibility in how you wash your clothes.

AUTO SENSING WATER LEVEL STATUS LIGHTS

When the machine is operating in Low Water Wash mode (Deep Fill is OFF), these status lights provide feedback on the load size that has been detected. When powering up the unit in Low Water Wash mode, all three lights will be lit. The lights will remain lit until the Sensing portion of the cycle is complete. The machine will now illuminate the light reflecting the detected load size.

NOTE: These lights only function when Deep Fill mode is OFF.

Dispensers

A Liquid fabric softener dispenser

Pour measured liquid fabric softener into the liquid fabric softener dispenser if desired. It will dispense automatically at the optimum time.

- Use only liquid fabric softener in this dispenser.

B High Efficiency “HE” detergent dispenser

Add liquid or powdered HE detergent product to this dispenser for your main wash cycle. Remove tray if using powder detergent.

IMPORTANT: Make sure tray is in drawer when using liquid detergent and removed when using powder detergent and do not go over the Max line.



Use only High Efficiency (HE) detergent.

NOTE: Follow the manufacturer’s instructions to determine the amount of detergent to use. Do not add single-dose laundry packets, color-safe bleach, or fabric softener crystals to dispensers. They will not dispense correctly.

C Oxi dispenser

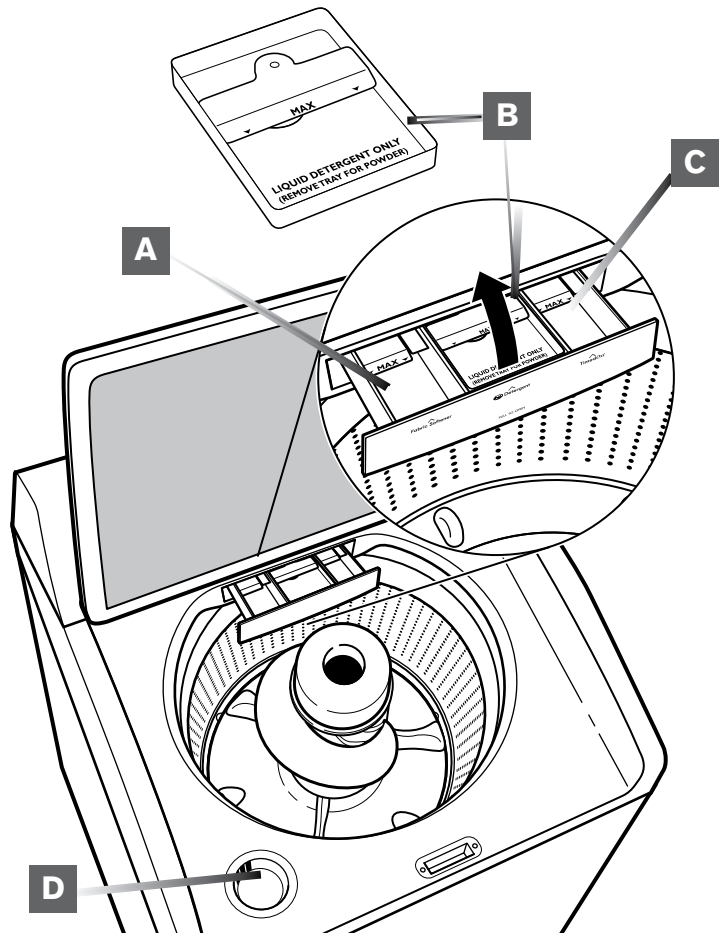
This dispenser holds up to ¾ cup (180 mL) Oxi booster or other laundry booster, such as powdered or liquid color-safe bleach. Laundry boosters are automatically dispensed at the proper time during the wash cycle. Be sure to select Oxi from the options to ensure proper dispensing.

NOTE: Fill dispenser with only oxi. Do not mix with bleach.

D Liquid chlorine bleach dispenser

This dispenser holds up to ¾ cup (180 mL) liquid chlorine bleach. The bleach will be automatically diluted and dispensed at the optimum time during the wash cycle. This dispenser cannot dilute powdered bleach.

NOTE: Fill dispenser with only liquid bleach.



CYCLE GUIDE

Settings shown are default settings for that cycle. Once you select a cycle, the default modifiers or the previous set modifiers for that cycle will be lit. For best fabric care, choose the cycle that best fits the load being washed. Not all cycles and options are available on all models.

Items to wash:	Cycle:	Temperature*:	Soil Level:	Spin Speed:	Cycle Details:
Overly soiled garments, items that need additional cleaning effort	Power Wash®	cold <input type="checkbox"/> warm <input type="checkbox"/> hot <input checked="" type="checkbox"/>	extra light <input type="checkbox"/> med <input type="checkbox"/> extra heavy <input checked="" type="checkbox"/>	none <input type="checkbox"/> med <input type="checkbox"/> max extract <input checked="" type="checkbox"/>	Use this cycle for heavily soiled or sturdy items. Water-level sensing process may take longer for some items than for others because they will absorb more water than other fabric types.
Bright and darkly colored cottons and mixed loads.	Colors	cold <input type="checkbox"/> warm <input checked="" type="checkbox"/> hot <input type="checkbox"/>	extra light <input type="checkbox"/> med <input type="checkbox"/> extra heavy <input checked="" type="checkbox"/>	none <input type="checkbox"/> med <input type="checkbox"/> max extract <input checked="" type="checkbox"/>	Use this cycle to wash darks and colors, including mixed loads and activewear.
Large items such as sheets, sleeping bags, small comforters, jackets, small washable rugs	Bedding	cold <input type="checkbox"/> warm <input checked="" type="checkbox"/> hot <input type="checkbox"/>	extra light <input type="checkbox"/> med <input checked="" type="checkbox"/> extra heavy <input type="checkbox"/>	none <input type="checkbox"/> med <input checked="" type="checkbox"/> max extract <input type="checkbox"/>	Use this cycle to wash large items such as jackets and small comforters. The washer will fill with enough water to wet down the load before the wash portion of the cycle begins and uses a higher water level than other cycles.

*All rinses are cold.

CYCLE GUIDE

Settings shown are default settings for that cycle. Once you select a cycle, the default modifiers or the previous set modifiers for that cycle will be lit. For best fabric care, choose the cycle that best fits the load being washed. Not all cycles and options are available on all models.

Items to wash:	Cycle:	Temperature*:	Soil Level:	Spin Speed:	Cycle Details:
Heavily soiled, colorfast fabrics	Sanitize with Oxi & Steam or Sanitize with Oxi (depending on model)	cold <input type="checkbox"/> warm <input type="checkbox"/> hot <input checked="" type="checkbox"/>	extra light <input type="checkbox"/> med <input type="checkbox"/> extra heavy <input checked="" type="checkbox"/>	none <input type="checkbox"/> med <input type="checkbox"/> max extract <input checked="" type="checkbox"/>	Use this cycle to eliminate 99.9% of bacteria when used in conjunction with the Oxi option. Preset cycle settings must be used to achieve the proper sanitization. Be sure to add an Oxi product to the Oxi dispenser.
Swimsuits and items requiring rinsing without detergent	Drain & Spin/Rinse & Spin	N/A	N/A	none <input type="checkbox"/> med <input checked="" type="checkbox"/> max extract <input type="checkbox"/>	Combines high speed spin with the option of a rinse only cycle for loads requiring an additional spin-out to reduce drying times or an additional rinse cycle to refresh a load or complete a cycle after power interruption. If you wish to run only the Drain & Spin cycle, select the Drain & Spin cycle. If you wish to run a Rinse & Spin, select both the Drain & Spin cycle and the Extra Rinse Option.
Cottons, linens, and mixed garment loads	Normal	cold <input type="checkbox"/> warm <input checked="" type="checkbox"/> hot <input type="checkbox"/>	extra light <input type="checkbox"/> med <input checked="" type="checkbox"/> extra heavy <input type="checkbox"/>	none <input type="checkbox"/> med <input type="checkbox"/> max extract <input checked="" type="checkbox"/>	Use this cycle for normally soiled cottons and mixed fabric loads.
Cold-only garments, bright or darkly colored cottons, linens, casual and mixed loads	Cold Wash	cold <input checked="" type="checkbox"/> warm <input type="checkbox"/> hot <input type="checkbox"/>	extra light <input type="checkbox"/> med <input type="checkbox"/> extra heavy <input checked="" type="checkbox"/>	none <input type="checkbox"/> med <input type="checkbox"/> max extract <input checked="" type="checkbox"/>	Cold water with an additional wash action gently lifts stains while caring for fabrics. Settings may be adjusted as desired, but must use only cold water settings.Cold-On
No-iron fabrics, cottons, perm press, linens, synthetics	Wrinkle Control	cold <input type="checkbox"/> warm <input checked="" type="checkbox"/> hot <input type="checkbox"/>	extra light <input type="checkbox"/> med <input checked="" type="checkbox"/> extra heavy <input type="checkbox"/>	none <input type="checkbox"/> med <input checked="" type="checkbox"/> max extract <input type="checkbox"/>	Use this cycle to wash loads of no-iron fabrics such as sport shirts, blouses, casual business clothes, permanent press, and blends.
Machine-wash silks, handwash fabrics	Delicates	cold <input type="checkbox"/> warm <input checked="" type="checkbox"/> hot <input type="checkbox"/>	extra light <input checked="" type="checkbox"/> med <input type="checkbox"/> extra heavy <input type="checkbox"/>	none <input type="checkbox"/> med <input checked="" type="checkbox"/> max extract <input type="checkbox"/>	Use this cycle to wash lightly soiled items indicating "Machine Washable Silks" or "Gentle" cycle on the care label. Place small items in mesh garment bags before washing. This cycle uses a higher, preset water level.
Lightly soiled, small-sized mixed-garment loads.	Rapid Wash	cold <input type="checkbox"/> warm <input type="checkbox"/> hot <input checked="" type="checkbox"/>	extra light <input checked="" type="checkbox"/> med <input type="checkbox"/> extra heavy <input type="checkbox"/>	none <input type="checkbox"/> med <input type="checkbox"/> max extract <input checked="" type="checkbox"/>	Use this cycle to quickly wash lightly soiled garments and small loads. The Rapid Wash cycle uses shorter periods of more intense washing to clean items quickly.
No clothes in washer	Clean Washer with affresh®	N/A	N/A	N/A	Use this cycle every 30 washes to keep the inside of your washer fresh and clean. This cycle uses a higher water level. Use with affresh® Washer Cleaner tablet or liquid chlorine bleach to thoroughly clean the inside of your washer. This cycle should not be interrupted. See "Washer Care." IMPORTANT: Do not place garments or other items in the washer during the Clean Washer with affresh® cycle. Use this cycle with an empty wash tub.

*All rinses are cold.



USING YOUR WASHER

⚠ WARNING



Fire Hazard

Never place items in the washer that are dampened with gasoline or other flammable fluids.

No washer can completely remove oil.

Do not dry anything that has ever had any type of oil on it (including cooking oils).

Doing so can result in death, explosion, or fire.

⚠ WARNING



Electrical Shock Hazard

Plug into a grounded 3 prong outlet.

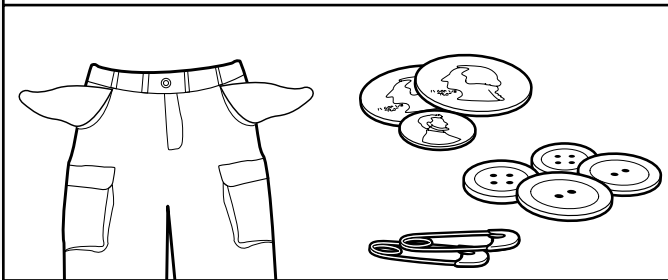
Do not remove ground prong.

Do not use an adapter.

Do not use an extension cord.

Failure to follow these instructions can result in death, fire, or electrical shock.

1. Sort and prepare your laundry



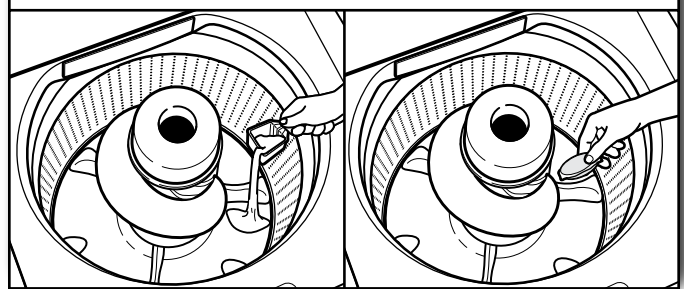
- Empty pockets. Loose change, buttons, or any small object can pass under the agitator and become trapped, causing unexpected sounds.
- Sort items by recommended cycle, water temperature, and colorfastness.
- Separate heavily soiled items from lightly soiled.
- Separate delicate items from sturdy fabrics.
- Do not dry items if stains remain after washing, because heat can set stains into fabric.
- Treat stains promptly.
- Close zippers, fasten hooks, tie strings and sashes, and remove non-washable trim and ornaments.
- Mend rips and tears to avoid further damage to items during washing.

Helpful Tips:

- For best performance, use HE liquid detergent when washing bulky items.
- When washing water-proof or water-resistant items, load evenly. See "Cycle Guide" for tips and more information on using the Bedding cycle.
- Use mesh garment bags to help avoid tangling when washing delicate or small items.
- Turn knits inside out to avoid pilling. Separate lint-takers from lint-givers. Synthetics, knits, and corduroy fabrics will pick up lint from towels, rugs, and chenille fabrics.

Always read and follow fabric care label instructions to avoid damage to your garments.

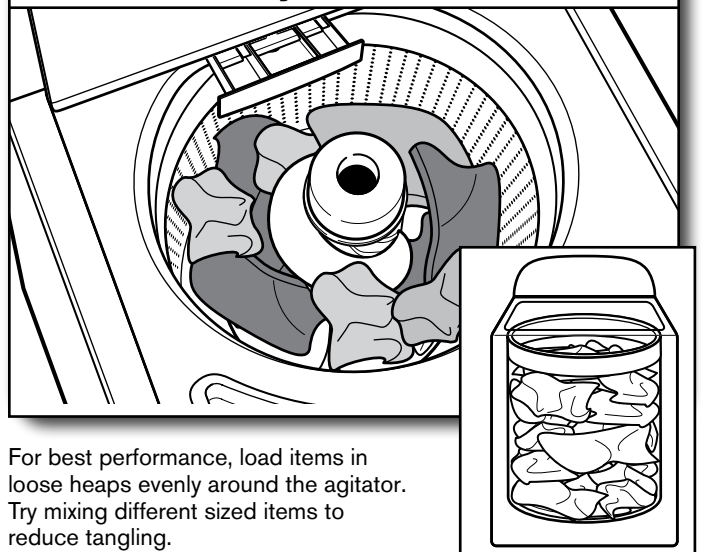
2. Add laundry products



Single-dose laundry packet, color-safe bleach, or fabric softener crystals can be added to the basket prior to adding laundry.

NOTE: Do not add clothes to washer basket prior to adding laundry products. Always follow manufacturer's instructions.

3. Load laundry into washer



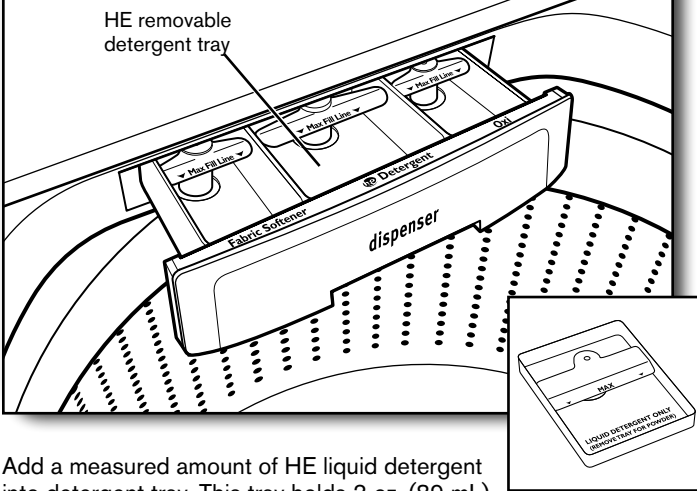
For best performance, load items in loose heaps evenly around the agitator. Try mixing different sized items to reduce tangling.

IMPORTANT: Items need to move freely for best cleaning and to reduce wrinkling and tangling.

Using Laundry Product Dispensers

NOTE: Do not add single-dose laundry packets, color-safe bleach, or fabric softener crystals to dispensers. They will not dispense correctly. Add to the basket prior to adding laundry.

4. Add HE detergent



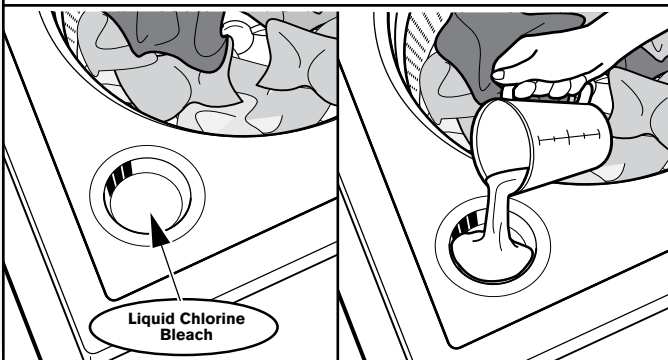
Add a measured amount of HE liquid detergent into detergent tray. This tray holds 3 oz. (89 mL). If adding powder HE detergent remove inside tray. Do not overfill tray – adding too much detergent may cause detergent to be dispensed into the washer too early.

NOTE: Make sure tray is in drawer when using liquid detergent and removed when using powder detergent. Do not go over the Max line.

IMPORTANT: Use only High Efficiency detergents. The package will be marked “HE” or “High Efficiency.” Low-water washing creates excessive sudsing with a regular non-HE detergent. Using regular detergent will likely result in longer cycle times and reduced rinsing performance. It may also result in component failures and noticeable mold or mildew. HE detergents are made to produce the right amount of suds for the best performance. Follow the manufacturer’s instructions to determine the amount of detergent to use.

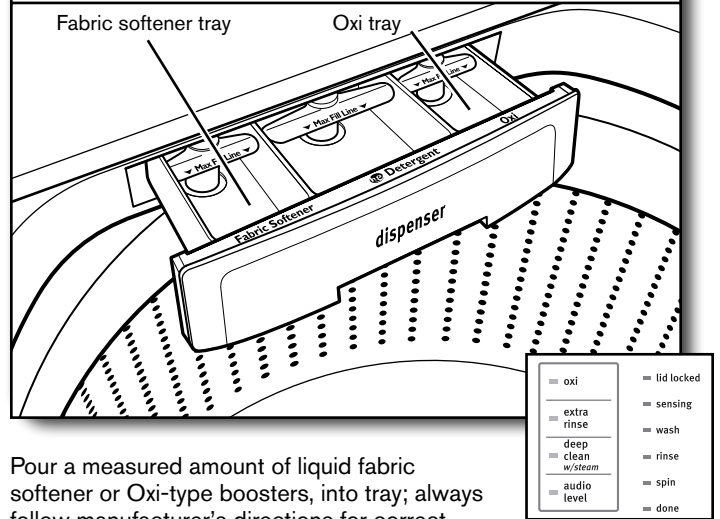
HELPFUL TIP: See “Washer Maintenance” for information recommended method of cleaning washer dispenser trays.

5. Add liquid chlorine bleach to dispenser



Do not overfill, dilute, or use more than 1 cup (236 mL). Do not use color-safe bleach or Oxi products in the same cycle with liquid chlorine bleach.

6. Add liquid fabric softener or Oxi to dispenser



Pour a measured amount of liquid fabric softener or Oxi-type boosters, into tray; always follow manufacturer’s directions for correct amount of fabric softener or Oxi based on your load size. Close dispenser drawer, and then select Oxi option. Oxi is added during main wash and Fabric Softener is added during rinse.

IMPORTANT: Oxi option must be selected to ensure proper distribution at correct time in cycle. Do not overfill or dilute. Overfilling dispenser will cause fabric softener to immediately dispense into washer.

If Extra Rinse option is selected, fabric softener will be dispensed into the last rinse.

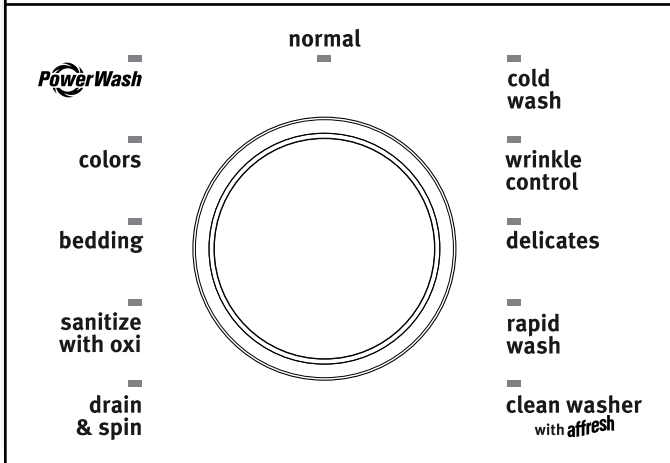
It is normal for a small amount of water to remain in the dispenser at the end of a cycle.

7. Touch POWER to turn on washer



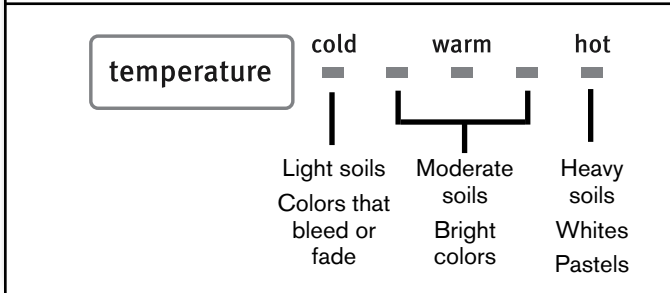
Make sure the dispenser drawer is closed completely, then touch POWER to turn on the washer. Other methods of turning the washer on include opening the lid or turning the cycle selection knob.

8. Select cycle



Turn cycle knob to choose your wash cycle.

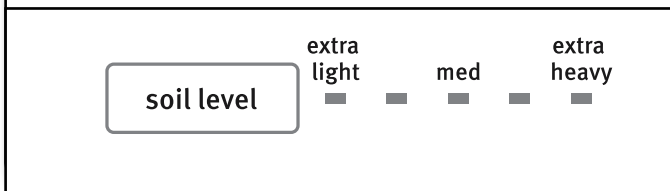
9. Select Temperature



Once you select a cycle, select the wash temperature by touching the Temperature button to the desired setting. Even for cold wash settings, some warm water may be added to the washer to maintain a minimum temperature.

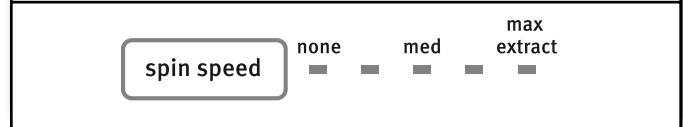
NOTE: Always read and follow fabric care label instructions to avoid damage to your items. If not sure on which temperature to use, refer to the chart below or select a cooler temperature.

10. Select SOIL LEVEL



Once you select a cycle, select the soil level by touching the Soil Level button to the desired setting.

11. Select SPIN SPEED



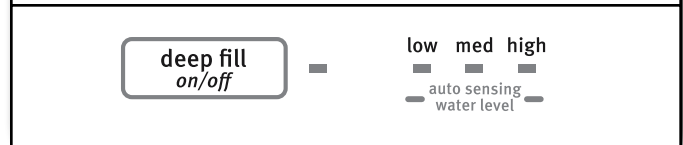
Once you select a cycle, you may adjust the spin speed by touching the Spin Speed button until you reach the desired setting.

12. Select cycle options, if desired



If you would like to add an Extra Rinse and/or Oxi option, touch the button for that feature.

13. Select DEEP FILL mode, if desired



Once you select a cycle, you may disable Auto Sensing mode and turn on the Deep Fill mode by pressing the DEEP FILL button.

14. Touch and hold START/PAUSE button to begin wash cycle



Touch and hold START/PAUSE button for up to 3 seconds to start the wash cycle. When the cycle has finished, the end of cycle signal will sound (if set). Promptly remove items when cycle is done to avoid odor, reduce wrinkling, and rusting of metal hooks, zippers, and snaps.

Unlocking the lid to add items

If you need to open the lid to add 1 or 2 missed items:

Touch START/PAUSE button to pause washer; the lid will unlock once the washer movement has stopped. This may take several minutes if the load was spinning at a high speed. Then close lid and touch and hold START/PAUSE button again for up to 3 seconds to restart the cycle.

IMPORTANT: If lid is left open for more than 10 minutes the water will pump out and F8E6 error code will appear on the display.

WASHER MAINTENANCE

WATER INLET HOSES

Replace inlet hoses after 5 years of use to reduce the risk of hose failure. Periodically inspect and replace inlet hoses if bulges, kinks, cuts, wear, or leaks are found.

When replacing your inlet hoses, mark the date of replacement on the label with a permanent marker.

NOTE: This washer does not include inlet hoses. See the "Installation Instructions" for more information.

WASHER CARE

Recommendations to Help Keep Your Washer Clean and Performing at its Best

1. Always use High Efficiency (HE) detergents and follow the HE detergent manufacturer's instructions regarding the amount of HE detergent to use. Never use more than the recommended amount because that may increase the rate at which detergent and soil residue accumulate inside your washer, which in turn may result in undesirable odor.
2. Use warm and hot wash water settings sometimes (not exclusively cold water washes), because they do a better job of controlling the rate at which soils and detergent accumulate.
3. Always leave the washer lid open between uses to help dry out the washer and prevent the buildup of odor-causing residue.

Cleaning Your Top Loading Washer

Read these instructions completely before beginning the routine cleaning processes recommended below. This Washer Maintenance Procedure should be performed, at a minimum, once per month or every 30 wash cycles, whichever occurs sooner, to control the rate at which soils and detergent may otherwise accumulate in your washer.

Cleaning the Inside of the Washer

To keep your washer odor-free, follow the usage instructions provided above, and use this recommended monthly cleaning procedure:

Clean Washer Cycle

This washer has a special cycle that uses higher water volumes in combination with affresh® Washer Cleaner or liquid chlorine bleach to clean the inside of the washer.

Begin procedure

1. affresh® Washer Cleaner Cycle Procedure (Recommended for Best Performance):

- a. Open the washer lid and remove any clothing or items.
- b. Place an affresh® Washer Cleaner tablet in the bottom of the washer basket.
- c. Do not place an affresh® Washer Cleaner tablet in the detergent dispenser.
- d. Do not add any detergent or other chemical to the washer when following this procedure.
- e. Close the washer lid.
- f. Select the CLEAN WASHER cycle.
- g. Touch and hold the START/Pause button to begin the cycle. The Clean Washer Cycle Operation is described below.

NOTE: For best results, do not interrupt cycle. If cycle must be interrupted, touch POWER. After the Clean Washer cycle has stopped, run a RINSE & SPIN cycle to rinse cleaner from washer.

WASHER CARE (cont.)

2. Chlorine Bleach Procedure (Alternative):

- a. Open the washer lid and remove any clothing or items.
- b. Add 1 cup (236 mL) of liquid chlorine bleach to the bleach compartment.

NOTE: Use of more liquid chlorine bleach than is recommended above could cause washer damage over time.

- c. Close the washer lid.
- d. Do not add any detergent or other chemical to the washer when following this procedure.
- e. Select the CLEAN WASHER cycle.
- f. Touch and hold the START/Pause button to begin the cycle. The Clean Washer Cycle Operation is described below.

NOTE: For best results, do not interrupt cycle. If cycle must be interrupted, touch POWER. After the Clean Washer cycle has stopped, run a RINSE & SPIN cycle to rinse cleaner from washer.

Description of Clean Washer Cycle Operation:

1. This cycle will fill to a water level higher than in normal wash cycles to provide rinsing at a level above the water line for normal wash cycle.
2. During this cycle, there will be some agitation and spinning to increase the removal of soils.

After this cycle is complete, leave the lid open to allow for better ventilation and drying of the washer interior.

Cleaning the Dispensers

After a period of using your washer, you may find some residue buildup in the washer's dispensers. To remove residue from the dispensers, wipe them with a damp cloth and towel dry. Do not attempt to remove the dispensers or trim for cleaning. The dispensers and trim are not removable. If your model has a dispenser drawer, however, remove the drawer and clean it before or after you run the Clean Washer cycle. Use an all-purpose surface cleaner, if needed.

Cleaning the Outside of the Washer

Use a soft, damp cloth or sponge to wipe away any spills. Use only mild soaps or cleaners when cleaning external washer surfaces.

IMPORTANT: To avoid damaging the washer's finish, do not use abrasive products.

NON-USE AND VACATION CARE

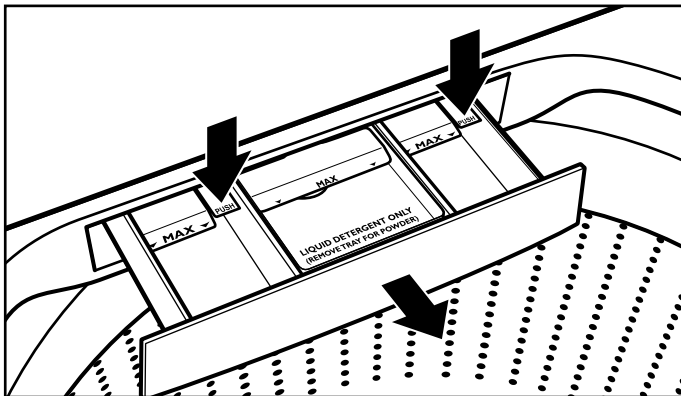
Operate your washer only when you are home. If moving, or not using your washer for a period of time, follow these steps:

1. Unplug or disconnect power to washer.
2. Turn off water supply to washer, to avoid flooding due to water pressure surge.

CLEANING YOUR DISPENSER

You may find laundry product residue leftover in your dispenser drawer. To remove residue, follow this recommended cleaning procedure:

1. Pull drawer out until you feel resistance.
2. Push 2 tabs downward, and then continue pulling out.
3. Wash in warm, soapy water, using a mild detergent.
4. Rinse with warm water.
5. Air dry, or dry with a towel, then place back into slot.



IMPORTANT: Dispenser drawer and tray are not dishwasher safe.

WINTER STORAGE CARE

IMPORTANT: To avoid damage, install and store washer where it will not freeze. Because some water may stay in hoses, freezing can damage washer. If storing or moving during freezing weather, winterize your washer.

To winterize washer:

1. Shut off both water faucets; disconnect and drain water inlet hoses.
2. Put 1 qt. (1 L) of R.V.-type antifreeze in basket and run washer on RINSE & SPIN cycle for about 30 seconds to mix antifreeze and remaining water.
3. Unplug washer or disconnect power.

TRANSPORTING YOUR WASHER

1. Shut off both water faucets. Disconnect and drain water inlet hoses.
2. If washer will be moved during freezing weather, follow WINTER STORAGE CARE directions before moving.
3. Disconnect drain hose from drain system and drain any remaining water into a pan or bucket. Disconnect drain hose from back of washer.
4. Unplug power cord.
5. Place inlet hoses and drain hose inside washer basket.
6. Drape power cord over edge and into washer basket.
7. Place packing tray from original shipping materials back inside washer. If you do not have packing tray, place heavy blankets or towels into basket opening. Close lid and place tape over lid and down front of washer. Keep lid taped until washer is placed in new location. Transport washer in upright position.

REINSTALLING/USING WASHER AGAIN

To reinstall washer after non-use, vacation, winter storage, or moving:

1. Refer to "Installation Instructions" to locate, level, and connect washer.
2. Before using again, run washer through the following recommended procedure:

To use washer again:

1. Flush water pipes and hoses. Reconnect water inlet hoses. Turn on both water faucets.

⚠ WARNING



Electrical Shock Hazard

Plug into a grounded 3 prong outlet.

Do not remove ground prong.

Do not use an adapter.

Do not use an extension cord.

Failure to follow these instructions can result in death, fire, or electrical shock.

2. Plug in washer or reconnect power.
3. Run washer through BEDDING cycle to clean washer and remove antifreeze, if used. Use only HE High Efficiency detergent. Use ½ the manufacturer's recommended amount for a medium-size load.

TROUBLESHOOTING

First try the solutions suggested here or visit our website at www.maytag.com/product_help -
In Canada www.maytag.ca for assistance and to possibly avoid a service call.

If you experience	Possible Causes	Solution
Vibration or Off-Balance		
Vibration, rocking, or "walking"	Feet may not be in contact with the floor and locked.	Front and rear feet must be in firm contact with floor, and washer must be level to operate properly. See "Installation Instructions".
	Washer may not be level.	Check floor for flexing or sagging. If flooring is uneven, a 3/4" (19 mm) piece of plywood under your washer will reduce sound. See "Level the Washer" in Installation Instructions.
Vibration during spinning or washer stopped	Load could be unbalanced.	Load items in loose heaps evenly around the agitator. Adding wet items to washer or adding more water to basket could unbalance washer.
		Avoid washing single items. Balance a single item such as a rug or jeans jacket with a few extra items. Redistribute the load, close the lid, and touch and hold START/PAUSE.
		Use Bedding cycle for oversized, non-absorbent items such as jackets and small comforters.
		Item or load not suitable for selected cycle. See "Cycle Guide" and "Using Your Washer" in this Use and Care Guide.
Noises - For normal operating sounds, go to www.maytag.com/product_help		
Clicking or metallic noises	Objects may be caught in washer drain system.	Empty pockets before washing. Loose items such as coins could fall between basket and tub or may block pump. It may be necessary to call for service to remove items.
		It is normal to hear metal items on clothing such as metal snaps, buckles, or zippers touch against the stainless steel basket.
Gurgling or humming	Washer may be draining water.	It is normal to hear the pump making a continuous humming sound with periodic gurgling or surging as final amounts of water are removed during the spin/drain cycles.
Humming	Load sensing may be occurring.	You may hear the hum of the sensing spins after you have started the washer. This is normal.
Whirring	Basket may be slowing down.	You may hear the whirring sound of the basket decelerating. This is normal.
Water Leaks		
Check the following for proper installation:	Washer not level.	Water may splash off basket if washer is not level. Check that load is not unbalanced or tightly packed.
	Fill hoses not attached tightly.	Tighten fill-hose connection.
	Fill hose washers.	Make sure all four fill hose flat washers are properly seated.
	Drain hose connection.	Pull drain hose from washer cabinet and properly secure it to drainpipe or laundry tub.
		Do not place tape over drain opening.
	Check household plumbing for leaks or clogged sink or drain.	Water can backup out of a clogged sink or drainpipe. Check all household plumbing for leaks (laundry tubs, drain pipe, water pipes, and faucets.)
Washer not loaded as recommended.	Unbalanced loading can cause basket to be out of alignment and cause water to splash off tub. See "Using Your Washer" for loading instructions.	
Washer not performing as expected		
Not enough water in washer	Load not completely covered in water.	This is normal operation for Auto Sensing Water Level mode. The load will not be completely under water. The washer senses load sizes and adds the correct amount of water for optimal cleaning performance in High Efficiency operation. See "What's New under the Lid."
		Run clean washer cycle to optimize the water level and wash performance.

TROUBLESHOOTING

First try the solutions suggested here or visit our website at www.maytag.com/product_help -
In Canada www.maytag.ca for assistance and to possibly avoid a service call.

If you experience	Possible Causes	Solution
Washer not performing as expected (cont.)		
Washer won't run or fill, washer stops working or wash light remains on (indicating that the washer was unable to fill appropriately)	Check for proper water supply.	Both hoses must be attached and have water flowing to inlet valve.
		Both hot and cold water faucets must be turned on.
		Check that inlet valve screens have not become clogged.
		Check for any kinks in inlet hoses, which can restrict water flow.

⚠ WARNING



Electrical Shock Hazard

Plug into a grounded 3 prong outlet.

Do not remove ground prong.

Do not use an adapter.

Do not use an extension cord.

Failure to follow these instructions can result in death, fire, or electrical shock.

If you experience	Possible Causes	Solution	
Washer not performing as expected (cont.)			
Washer won't run or fill, washer stops working or wash light remains on (indicating that the washer was unable to fill appropriately) (cont.)	Check proper electrical supply.	Plug power cord into a grounded 3 prong outlet.	
		Do not use an extension cord.	
		Ensure there is power to outlet.	
		Reset a tripped circuit breaker. Replace any blown fuses. NOTE: If problems continue, contact an electrician.	
	Normal washer operation.		Lid must be closed for washer to run.
			Washer will pause during certain phases of cycle. Do not interrupt cycle.
			Washer may be stopped to reduce suds.
	Washer may be tightly packed.		Remove several items, rearrange load evenly around the agitator. Close lid, touch and hold START/PAUSE button.
			Add only 1 or 2 additional garments after washer is started.
			Do not add more water to the washer.
	Not using HE detergent or using too much HE detergent.		Only use HE detergent. Suds from regular detergents can slow or stop the washer. Always measure detergent and follow detergent directions based on your load requirements.
			To remove suds, cancel cycle. Select DRAIN & SPIN cycle and the Extra Rinse option. Touch and hold START/PAUSE button. Do not add more detergent.

TROUBLESHOOTING

First try the solutions suggested here or visit our website at www.maytag.com/product_help -
In Canada www.maytag.ca for assistance and to possibly avoid a service call.

If you experience	Possible Causes	Solution
Washer not performing as expected (cont.)		
Washer not draining/ spinning, loads are still wet, or spin light remains on (indicating that the washer was unable to pump out water within 10 minutes)	Small items may have been caught in pump or between basket and tub, which can slow draining.	Empty pockets and use garment bags for small items.
	Using a cycle with a low spin speed.	Cycles with lower spin speeds remove less water than cycles with high spin speeds. Use the recommended cycle/spin speed for your item. To remove extra water in the load, select DRAIN & SPIN. Load may need to be rearranged to allow even distribution of the load in the basket.
	The washer may be tightly packed or unbalanced.	Tightly packed or unbalanced loads may not allow the washer to spin correctly, leaving the load wetter than normal. Evenly arrange the wet load for balanced spinning. Select the Drain & Spin cycle to remove excess water. See "Using Your Washer" for loading recommendations.
	Load off balanced.	See "Vibration or Off-Balance" in Troubleshooting section for more information.
	Check plumbing for correct drain hose installation. Drain hose extends into standpipe farther than 4.5" (114 mm).	Check drain hose for proper installation. Use drain hose form and securely attach to drainpipe or tub. Do not tape over drain opening. Lower drain hose if the end is higher than 96" (2.4 m) above the floor. Remove any clogs from drain hose.
	Too much detergent causing suds to slow or stop draining and spinning.	Use only HE detergent. Always measure and follow detergent directions for your load. To remove extra suds, select RINSE & SPIN. Do not add detergent.
Dry spots on load after cycle	High speed spins extract more moisture than traditional top-load washers.	The high spin speeds combined with air flow during the final spin can cause items near the top of the load to develop dry spots during the final spin. This is normal.
Incorrect or wrong wash or rinse temperatures	Check for proper water supply.	Make sure hot and cold inlet hoses are not reversed.
		Both hoses must be attached to both washer and faucet, and have both hot and cold water flowing to inlet valve.
Check that inlet valve screens are not clogged.		
Remove any kinks in hoses.		
Energy-saving controlled wash temperatures.	High Efficiency washers use cooler wash and rinse water temperatures than traditional top-load washer. This includes cooler hot and warm washes.	
Load not rinsed	Check for proper water supply.	Make sure hot and cold inlet hoses are not reversed.
		Both hoses must be attached and have water flowing to the inlet valve.
		Both hot and cold water faucets must be on.
		Inlet valve screens on washer may be clogged.
		Remove any kinks in the inlet hose.
	Not using HE detergent or using too much HE detergent.	The suds from regular detergent can keep washer from operating correctly.
		Use only HE detergent. Be sure to measure correctly.
		Always measure detergent and follow detergent directions based on load size and soil level.
	Washer may be tightly packed.	The washer is less efficient at rinsing when tightly packed.
		Load garments in loose heaps evenly around the agitator.
		Use cycle designed for the fabrics being washed.
		Add only 1 or 2 additional garments after washer is started.



TROUBLESHOOTING

First try the solutions suggested here or visit our website at www.maytag.com/product_help -
In Canada www.maytag.ca for assistance and to possibly avoid a service call.

If you experience	Possible Causes	Solution
Washer not performing as expected (cont.)		
Sand, pet hair, lint, etc. on load after washing	Heavy sand, pet hair, lint, and detergent or bleach residues may require additional rinsing.	Add an Extra Rinse to the selected cycle.
Load is tangling	Washer not loaded as recommended.	See "Using Your Washer" section.
		Select a cycle with a slower wash action and spin speed, however items will be wetter than those using a higher speed spin. See the "Cycle Guide" to match your load with the best cycle.
		Load items in loose heaps evenly around the agitator.
		Reduce tangling by mixing types of load items. Use the recommended cycle for the type of items being washed.
Not cleaning or removing stains	Added more water to washer.	Washer senses load size and adds correct amount of water. This is normal and necessary for clothes to move. It is normal for the wash load to be not completely covered in water. Added water lifts the laundry off the agitator, resulting in less effective cleaning.
	Washer not loaded as recommended.	Washer is less efficient at cleaning when tightly packed.
		Load garments in loose heaps evenly around the agitator.
		Add only 1 or 2 additional garments after washer is started.
	Adding detergent on top of load.	Add detergent, Oxi products and color-safe bleach to the bottom of the basket before adding the load items.
	Not washing like colors together.	Wash like colors together and remove promptly after the cycle is complete to avoid dye transfer.
	Not using HE detergent or using too much HE detergent.	The suds from regular detergent can keep washer from operating correctly.
		Use only HE detergent. Be sure to measure correctly.
		Always measure detergent and follow manufacturer's directions based on load size and soil level.
	Not using correct cycle for fabric type.	Use a higher soil level cycle option and warmer wash temperature to improve cleaning.
Use Power Wash® cycle for tough cleaning. See the "Cycle Guide" to match your load with the best cycle.		
Not using dispenser.	Use dispenser to avoid chlorine bleach and fabric softener staining.	
	Load dispenser before starting a cycle.	
	Do not add products directly onto load.	
Incorrect dispenser operation	Clogged dispensers or laundry products dispensing too soon.	Do not overfill dispenser. Overfilling causes immediate dispensing.
		Load dispensers before starting a cycle.
		It is normal for small amounts of water to be remain in dispenser at the end of the cycle.
		Homes with low water pressure may result in residual powder in the dispenser. To avoid, select a warmer wash temperature if possible, depending on your load.
		Clean dispenser nozzle and make sure drawer is properly seated.
	Liquid chlorine bleach not used in dispenser.	Use only liquid chlorine bleach in the bleach dispenser.



TROUBLESHOOTING

First try the solutions suggested here or visit our website at www.maytag.com/product_help -
In Canada www.maytag.ca for assistance and to possibly avoid a service call.

If you experience	Possible Causes	Solution
Washer not performing as expected (cont.)		
Fabric Damage	Sharp items were in pockets during wash cycle.	Empty pockets, zip zippers, and snap or hook fasteners before washing to avoid snags and tears.
	Strings and straps could have tangled.	Tie all strings and straps before starting wash load.
	Items may have been damaged before washing.	Mend rips and broken threads in seams before washing.
	Fabric damage can occur if washer is tightly packed.	Load items in loose heaps evenly around the agitator.
		Use cycle designed for the fabrics being washed.
		Add only 1 or 2 additional items after washer is started.
	Liquid chlorine bleach may have been added incorrectly.	Do not pour liquid chlorine bleach directly onto load. Wipe up bleach spills.
		Undiluted bleach will damage fabrics. Do not use more than recommended by manufacturer.
		Do not place load items on top of bleach dispenser when loading and unloading washer.
Garment care instructions may not have been followed.	Always read and follow garment manufacturer's care label instructions. See the "Cycle Guide" to match your load with the best cycle.	
Odors	Monthly maintenance not done as recommended.	Run the Clean Washer with affresh® cycle after every 30 washes. See "Washer Care" in Washer Maintenance.
		Unload washer as soon as cycle is complete.
	Using wrong or too much detergent.	Use only HE detergent. Be sure to measure correctly. Always follow the manufacturer's directions. See "Washer Care" section.
Lid locked light is flashing	The lid is not closed.	Close the lid. The washer will not start or fill with the lid open.
	A cycle was stopped or paused using the Start/Pause button.	The washer may still be spinning. The lid will not unlock until the basket has stopped spinning. This may take several minutes if washing large loads or heavy fabrics.
Powdered detergent not dissolving completely in load	Using too much HE detergent.	Follow the manufacturer's instructions to determine the amount of detergent to use.
	Water temperature is very cold.	Select a warmer wash temperature.
		Try adding the detergent to the basket prior to adding laundry, rather than using the detergent dispenser.
Single-dose laundry packet not dissolving	Adding laundry packet incorrectly.	Be sure laundry packet is added to washer basket before adding clothes. Follow the manufacturer's instructions to avoid damage to your items.



MAYTAG® LAUNDRY LIMITED WARRANTY

ATTACH YOUR RECEIPT HERE. PROOF OF PURCHASE IS REQUIRED TO OBTAIN WARRANTY SERVICE.

Please have the following information available when you call the Customer eXperience Center:

- Name, address, and telephone number
- Model number and serial number
- A clear, detailed description of the problem
- Proof of purchase including dealer or retailer name and address

IF YOU NEED SERVICE:

1. Before contacting us to arrange service, please determine whether your product requires repair. Some questions can be addressed without service. Please take a few minutes to review the Troubleshooting or Problem Solver section of the Use and Care Guide, scan the QR code on the right to access additional resources, or visit https://www.maytag.com/product_help.
2. All warranty service is provided exclusively by our authorized Maytag Service Providers. In the U.S. and Canada, direct all requests for warranty service to:



https://www.maytag.com/product_help

Maytag Customer eXperience Center

In the U.S.A. call 1-800-688-9900. In Canada call 1-800-807-6777.

If outside the 50 United States and Canada, contact your authorized Maytag dealer to determine if another warranty applies.

TEN YEAR LIMITED WARRANTY

WHAT IS COVERED

FIRST YEAR LIMITED WARRANTY (PARTS AND LABOR)

For one year from the date of purchase, when this major appliance is installed, operated, and maintained according to instructions attached to or furnished with the product, Maytag brand of Whirlpool Corporation or Whirlpool Canada LP (hereafter "Maytag") will pay for factory specified parts and repair labor to correct defects in materials or workmanship that existed when this major appliance was purchased, or at its sole discretion replace the product. In the event of product replacement, your appliance will be warranted by the remaining term of the original unit's warranty period.

SECOND THROUGH TENTH YEAR LIMITED WARRANTY (DRIVE MOTOR AND WASH BASKET ONLY - LABOR NOT INCLUDED)

In the second through tenth years from the date of original purchase, when this major appliance is installed, operated, and maintained according to instructions attached to or furnished with the product, Maytag will pay for factory specified parts for the following components to correct non-cosmetic defects in materials or workmanship in these parts that prevent function of this major appliance and that existed when this major appliance was purchased. This is a limited 10 year warranty on the below named parts only and does not include repair labor.

- Drive Motor
- Wash Basket (Side Walls Only)

YOUR SOLE AND EXCLUSIVE REMEDY UNDER THIS LIMITED WARRANTY SHALL BE PRODUCT REPAIR AS PROVIDED HEREIN. Service must be provided by a Maytag designated service company. This limited warranty is valid only in the United States or Canada and applies only when the major appliance is used in the country in which it was purchased. This limited warranty is effective from the date of original consumer purchase. Proof of original purchase date is required to obtain service under this limited warranty.

WHAT IS NOT COVERED

1. Commercial, non-residential, multiple-family use, or use inconsistent with published user, operator, or installation instructions.
2. In-home instruction on how to use your product.
3. Service to correct improper product maintenance or installation, installation not in accordance with electrical or plumbing codes, or correction of household electrical or plumbing (i.e. house wiring, fuses, or water inlet hoses).
4. Consumable parts (i.e. light bulbs, batteries, air or water filters, preservation solutions, etc.).
5. Defects or damage caused by the use of non-genuine Maytag parts or accessories.
6. Conversion of your product from natural gas or L.P. gas or reversal of appliance doors.
7. Damage from accident, misuse, abuse, fire, floods, acts of God, or use with products not approved by Maytag.
8. Repairs to parts or systems to correct product damage or defects caused by unauthorized service, alteration, or modification of the appliance.
9. Cosmetic damage including scratches, dents, chips, and other damage to appliance finishes unless such damage results from defects in materials and workmanship and is reported to Maytag within 30 days.
10. Discoloration, rust, or oxidation of surfaces resulting from caustic or corrosive environments, including but not limited to, high salt concentrations, high moisture or humidity, or exposure to chemicals.
11. Pick-up or delivery. This product is intended for in-home repair.
12. Travel or transportation expenses for service in remote locations where an authorized Maytag servicer is not available.
13. Removal or reinstallation of inaccessible appliances or built-in fixtures (i.e. trim, decorative panels, flooring, cabinetry, islands, countertops, drywall, etc.) that interfere with servicing, removal, or replacement of the product.
14. Service or parts for appliances with original model/serial numbers removed, altered, or not easily determined.

The cost of repair or replacement under these excluded circumstances shall be borne by the customer.

DISCLAIMER OF IMPLIED WARRANTIES

IMPLIED WARRANTIES, INCLUDING ANY IMPLIED WARRANTY OF MERCHANTABILITY OR IMPLIED WARRANTY OF FITNESS FOR A PARTICULAR PURPOSE, ARE LIMITED TO ONE YEAR OR THE SHORTEST PERIOD ALLOWED BY LAW. Some states and provinces do not allow limitations on the duration of implied warranties of merchantability or fitness, so this limitation may not apply to you. This warranty gives you specific legal rights, and you also may have other rights that vary from state to state or province to province.

DISCLAIMER OF REPRESENTATIONS OUTSIDE OF WARRANTY

Maytag makes no representations about the quality, durability, or need for service or repair of this major appliance other than the representations contained in this Warranty. If you want a longer or more comprehensive warranty than the limited warranty that comes with this major appliance, you should ask Maytag or your retailer about buying an extended warranty.

LIMITATION OF REMEDIES; EXCLUSION OF INCIDENTAL AND CONSEQUENTIAL DAMAGES

YOUR SOLE AND EXCLUSIVE REMEDY UNDER THIS LIMITED WARRANTY SHALL BE PRODUCT REPAIR AS PROVIDED HEREIN. MAYTAG SHALL NOT BE LIABLE FOR INCIDENTAL OR CONSEQUENTIAL DAMAGES. Some states and provinces do not allow the exclusion or limitation of incidental or consequential damages, so these limitations and exclusions may not apply to you. This warranty gives you specific legal rights, and you also may have other rights that vary from state to state or province to province.

SÉCURITÉ DE LA LAVEUSE

Votre sécurité et celle des autres est très importante.

Nous donnons de nombreux messages de sécurité importants dans ce manuel et sur votre appareil ménager. Assurez-vous de toujours lire tous les messages de sécurité et de vous y conformer.



Voici le symbole d'alerte de sécurité.

Ce symbole d'alerte de sécurité vous signale les dangers potentiels de décès et de blessures graves à vous et à d'autres.

Tous les messages de sécurité suivront le symbole d'alerte de sécurité et le mot "DANGER" ou "AVERTISSEMENT". Ces mots signifient :

! DANGER

Risque possible de décès ou de blessure grave si vous ne suivez pas immédiatement les instructions.

! AVERTISSEMENT

Risque possible de décès ou de blessure grave si vous ne suivez pas les instructions.

Tous les messages de sécurité vous diront quel est le danger potentiel et vous disent comment réduire le risque de blessure et ce qui peut se produire en cas de non-respect des instructions.

IMPORTANTES INSTRUCTIONS DE SÉCURITÉ

AVERTISSEMENT : Pour réduire les risques d'incendie, de choc électrique ou de blessures lors de l'utilisation de la laveuse, suivre les précautions fondamentales dont les suivantes :

- Lire toutes les instructions avant d'utiliser la laveuse.
- Ne pas laver des articles qui ont été nettoyés ou lavés avec de l'essence ou imbibés d'essence, solvants de nettoyage à sec, ou autres substances inflammables ou explosives; ces substances peuvent émettre des vapeurs susceptibles de s'enflammer ou d'exploser.
- Ne pas ajouter d'essence, solvant de nettoyage à sec ou autre produit inflammable ou explosif dans l'eau de lavage. Ces substances peuvent émettre des vapeurs susceptibles de s'enflammer ou d'exploser.
- Dans certaines conditions, de l'hydrogène gazeux peut se former dans un circuit d'eau chaude qui n'a pas été utilisé pendant 2 semaines ou plus. **LE GAZ HYDROGÈNE EST EXPLOSIBLE.** Si le circuit d'eau chaude n'a pas été utilisé pendant une telle période, avant d'utiliser la laveuse, ouvrir tous les robinets d'eau chaude et laisser l'eau s'écouler pendant plusieurs minutes par chaque robinet. Ceci permettra l'évacuation de l'hydrogène gazeux accumulé. Comme ce gaz est inflammable, ne pas fumer ou utiliser une flamme nue au cours de cette période.
- Ne pas laisser des enfants jouer sur ou à l'intérieur de la laveuse. Bien surveiller les enfants lorsque la laveuse est utilisée à proximité d'enfants.
- Avant de mettre la laveuse au rebut ou hors de service, enlever la porte ou le couvercle.
- Ne pas tenter d'atteindre un article à l'intérieur de la cuve de la laveuse lorsque le tambour, la cuve ou l'agitateur est en mouvement.
- Ne pas installer ou remiser cette laveuse à un endroit où elle serait exposée aux intempéries.
- Ne pas modifier les organes de commande.
- Ne pas réparer ou remplacer un composant quelconque de la laveuse, ni entreprendre une opération de service, si ce n'est spécifiquement recommandé dans ce manuel ou dans un manuel d'instructions de réparations destiné à l'utilisateur; il est alors essentiel que la personne concernée comprenne ces instructions et soit compétente pour les exécuter.
- Pour les instructions de liaison à la terre, voir "Spécifications électriques" dans les instructions d'installation.

CONSERVEZ CES INSTRUCTIONS

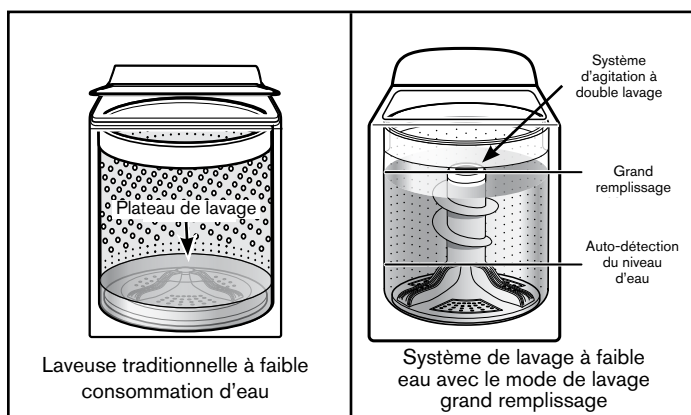
Avertissements de la proposition 65 de l'État de Californie :

AVERTISSEMENT : Ce produit contient au moins un produit chimique connu par l'État de Californie pour être à l'origine de cancers.

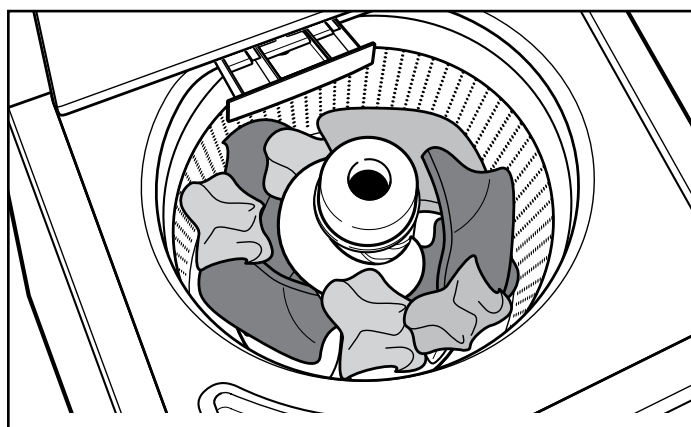
AVERTISSEMENT : Ce produit contient au moins un produit chimique connu par l'État de Californie pour être à l'origine de malformations et autres déficiences de naissance.

QUOI DE NEUF SOUS LE COUVERCLE?

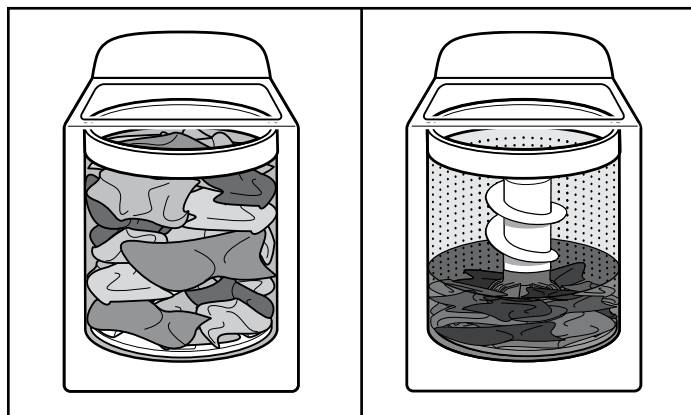
Plus d'eau quand vous en avez besoin



La différence la plus importante dans votre nouvelle laveuse est le Dual Wash Agitator System (système de l'agitateur à double lavage). En Auto-Sensing Water Level Mode (mode de niveau d'eau à détection automatique), la laveuse ajuste automatiquement le niveau d'eau à la quantité optimale pour un lavage à High Efficiency (haute efficacité) de la taille de la charge détectée. En Deep Fill Mode (mode de grand remplissage), la laveuse va remplir à un niveau d'eau prédéterminé indépendamment de la taille de la charge, ce qui permet une plus grande variété dans la façon dont vous lavez vos vêtements.



Pour un meilleur rendement, il est recommandé de déposer les vêtements en vrac et de façon uniforme le long de l'agitateur.



Comme la laveuse amortit et déplace la charge, le niveau des éléments se déposent dans le panier. Ceci est normal et ne signifie pas que d'autres éléments doivent être ajoutés.

Détection automatique de taille de charge

Une fois que l'on démarre le programme, le couvercle se verrouille et la laveuse entame un processus de détection pour déterminer le niveau d'eau approprié à la charge. Cela peut prendre plusieurs minutes avant que l'eau ne soit ajoutée. Voir la description pas-à-pas dans la section "Témoins lumineux des programmes".

Initialement, le panier va commencer à tourner avant d'ajouter l'eau, cela fait partie du processus de détection et est normal.

Choix du détergent approprié

Utiliser uniquement des détergents haute efficacité. L'emballage portera la mention "HE" ou "High Efficiency" (haute efficacité). Un lavage avec faible consommation d'eau produit un excès de mousse avec un détergent non HE ordinaire. Il est probable que l'utilisation d'un détergent ordinaire prolongera la durée des programmes et réduira la performance de rinçage. Ceci peut aussi entraîner des défaillances des composants et une moisissure perceptible. Les détergents HE sont conçus pour produire la quantité de mousse adéquate pour le meilleur rendement. Suivre les instructions du fabricant pour déterminer la quantité de détergent à utiliser, et ne pas remplir au-delà de la ligne de remplissage maximum du distributeur. Voir "Utilisation des distributeurs de produits de lessive" pour plus d'informations.

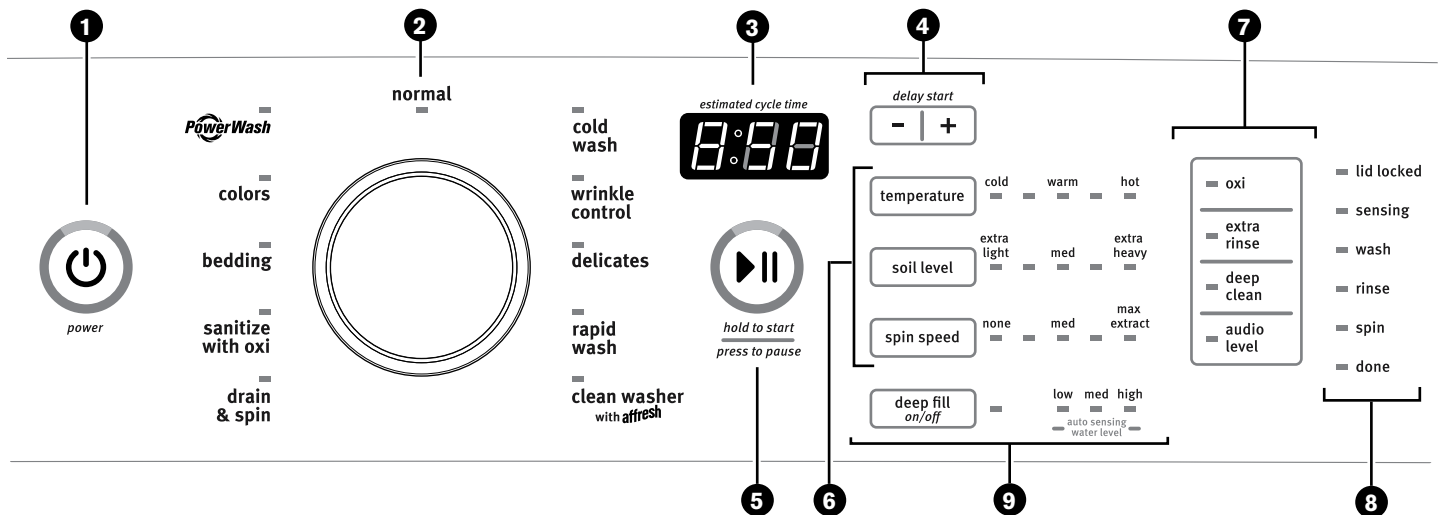


Utiliser uniquement un détergent haute efficacité (HE).

Sons normaux prévisibles

Au cours des différents stades du programme de lavage, vous entendrez peut-être des bruits que votre laveuse précédente ne produisait pas. Par exemple, vous entendrez peut-être un cliquetis au début du programme lorsque le système de verrouillage du couvercle effectue un test automatique. Différents bourdonnements et bruits de frottement rythmiques se produiront à mesure que l'agitateur déplace la charge et que le panier ralentit jusqu'à l'arrêt. Parfois, il est possible que la laveuse soit complètement silencieuse, lorsqu'elle détermine le niveau d'eau adéquat ou qu'elle laisse tremper les vêtements.

TABLEAU DE COMMANDE ET CARACTÉRISTIQUES



REMARQUE : La surface du tableau de commande est très sensible et il suffit d'un léger toucher pour l'activer. Pour s'assurer que vos sélections ont été sauvegardées, toucher le tableau de commande du bout du doigt et non avec l'ongle. Pour sélectionner un réglage ou une option, il suffit de toucher le nom qui lui correspond jusqu'à ce que la section souhaitée s'allume.

1 POWER (mise sous tension)

Appuyer sur ce bouton pour mettre la laveuse en marche et pour l'éteindre. Appuyer sur ce bouton pour arrêter/annuler un programme à tout moment.

2 WASH CYCLE KNOB (bouton de programme de lavage)

Utiliser le bouton de programme de lavage pour sélectionner les programmes disponibles sur la laveuse. Tourner le bouton de programme pour sélectionner un programme correspondant à la charge de linge. Voir le "Guide de programmes" pour des descriptions détaillées.

3 ESTIMATED CYCLE TIME (durée de programme estimée)

L'affichage de la durée de programme estimée indique le temps nécessaire à l'achèvement du programme. Des facteurs tels que la taille de la charge et la pression de l'eau peuvent affecter la durée affichée. La laveuse peut également ajuster la durée du programme en cas de surcharge, de charge déséquilibrée ou de production excessive de mousse.

4 DELAY START (mise en marche différée)

Appuyer sur "+" et "-" pour différer la mise en marche d'un programme de lavage jusqu'à 12 heures. Pour désactiver l'option Delay Start (mise en marche différée), utiliser les touches "+" et "-" pour programmer une heure de mise en marche différée jusqu'à "0" ou appuyer sur POWER (mise sous tension).

5 START/PAUSE (mise en marche/pause)

Appuyez et maintenez le bouton START/PAUSE (mise en marche/pause) pour 3 secondes ou jusqu'à ce que la laveuse commence le cycle sélectionné. Pour interrompre un cycle après le démarrage, appuyez à nouveau sur le bouton START/PAUSE (mise en marche/pause).

REMARQUE : Si la laveuse tourne, le couvercle peut mettre quelques minutes à se déverrouiller.

6 CYCLE MODIFIERS (modificateurs de programmes)

On peut ajouter les options suivantes à la plupart des programmes.

TEMPERATURE (température)

La fonction Wash Temp (température de lavage) détecte et maintient une température uniforme de l'eau en régulant le débit d'arrivée d'eau chaude et d'eau froide.

Sélectionner une température de lavage en fonction du type de tissu et de saleté à laver. Pour des résultats optimaux, suivre les instructions sur l'étiquette du vêtement et utiliser la température d'eau de lavage la plus chaude possible qui reste sans danger pour le tissu.

- Sur certains modèles et pour certains programmes, les températures utilisées pour l'eau chaude et l'eau tiède peuvent être inférieures aux températures utilisées par votre précédente laveuse.
- Même avec un lavage à l'eau froide, il est possible que de l'eau tiède soit ajoutée à la laveuse pour maintenir une température minimale.

SOIL LEVEL (niveau de saleté)

Sélectionner le réglage le plus adapté à votre charge. Pour les articles très sales, sélectionner le niveau de saleté Extra Heavy (saleté très intense) pour prolonger la durée de lavage. Pour les articles peu sales, sélectionner le niveau de saleté Extra Light Soil (saleté très légère) pour diminuer la durée de lavage.

Le réglage de niveau de saleté légère aidera à réduire l'emmêlement et le froissement.

SPIN SPEED (vitesse d'essorage)

Sélectionner le réglage le plus adapté à votre charge.

7 CYCLE OPTIONS (options de programmes)

On peut ajouter les options suivantes à la plupart des programmes.

OXI

Cette laveuse a été conçue pour distribuer des activateurs pour vêtements (tels des traitements anti-taches à base d'eau oxygénée ou des agents de blanchiment sans danger pour les couleurs) au moment adéquat du programme pour un nettoyage hautement performant. Ne pas utiliser d'activateurs pour vêtements et d'eau de Javel dans le même programme.

EXTRA RINSE (rinçage supplémentaire)

On peut utiliser cette option pour ajouter automatiquement un second rinçage à la plupart des programmes.

REMARQUE : Si désiré Rinse & Spin (rinçage et essorage), sélectionner le programme Drain & Spin (vidange et essorage), puis appuyer pour sélectionner l'option Extra Rinse (rinçage supplémentaire).

DEEP CLEAN w/Steam (nettoyage en profondeur avec vapeur) (selon le modèle)

Cette option ajoute un trempage supplémentaire et prolonge le nettoyage sur de nombreux programmes pour aider à éliminer les taches tenaces. Il ajoute également un jet de vapeur pour un nettoyage encore plus efficace. L'option Deep Clean w/Steam utilise un élément chauffant situé dans la laveuse pour maintenir le réglage de température sélectionné durant toute la période de lavage. L'option Deep Clean w/Steam peut être sélectionnée comme option avec d'autres programmes.

AUDIO LEVEL (niveau sonore)

Utiliser cette option pour ajuster le volume du signal qui retentit à la fin d'un programme ou lors de l'appui sur une touche. Appuyer une fois pour Bas, une deuxième fois pour Arrêt et une troisième fois pour revenir à Élevé. Un signal sonore plus élevé peut être utile si l'on souhaite retirer les articles dès la fin du programme. Le niveau sonore est réglé sur Élevé par défaut.

8 TÉMOINS LUMINEUX DES PROGRAMMES

Les témoins lumineux indiquent la progression du programme. À chaque étape du processus, il est possible que l'on remarque des pauses ou des sons différents de ceux des laveuses ordinaires.

SENSING (détection)

Lorsqu'on appuie sur le bouton START/Pause (mise en marche/pause), la laveuse effectue un test automatique sur le mécanisme de verrouillage du couvercle. On entend un dé clic, le panier effectue un tour, et le couvercle se déverrouille brièvement avant de se verrouiller à nouveau.

Une fois le couvercle verrouillé pour la deuxième fois, la laveuse utilise des tours lents et courts pour estimer le volume de la charge. Ces tours de détection peuvent prendre 2 à 3 minutes avant que de l'eau ne soit ajoutée à la charge et les tours peuvent émettre un bourdonnement. Si le témoin lumineux de détection est allumé, cela signifie que la laveuse fonctionne correctement. On entend le moteur qui fait tourner le panier par de courtes impulsions pour mouiller l'intégralité de la charge. La laveuse déplace ensuite brièvement la charge, fait une pause pour permettre à l'eau de tremper la charge, et continue à ajouter de l'eau. Ce processus peut se répéter jusqu'à ce que la quantité d'eau correcte ait été ajoutée à la charge. Il est aussi possible que l'on entende de l'eau couler dans le distributeur, ajoutant le détergent à la charge.

REMARQUE : Éviter d'ouvrir le couvercle pendant la détection de la charge. Le processus de détection reprend depuis le début quand la laveuse est remise en marche. Le témoin de détection peut s'allumer également lors des étapes de lavage du programme. Ceci est normal.

WASH (lavage)

On entend le moteur et l'agitateur déplacer la charge. Contrairement aux laveuses ordinaires, la charge n'est pas complètement immergée dans l'eau. Plutôt que de diluer du détergent comme dans une laveuse de type agitateur, cette laveuse libère le détergent directement sur les endroits souillés. Les bruits émis par le moteur peuvent changer lors des différentes étapes du programme. La durée de lavage est déterminée par le niveau de saleté sélectionné.

RINSE (rinçage)

On entend des sons similaires à ceux du programme de lavage à mesure que la laveuse rince et déplace la charge. L'assouplissant sera ajouté si l'option Timed Dispensers Fabric Softener (distributeurs minutés d'assouplissant) a été sélectionnée.

SPIN (essorage)

La laveuse essore la charge à des vitesses augmentant graduellement pour une bonne extraction de l'eau, en fonction du programme et de la vitesse d'essorage sélectionnés.

DONE (terminé)

Une fois le programme terminé, ce témoin s'allume. Retirer la charge rapidement pour un résultat optimal.

LID LOCKED (couvercle verrouillé)

Pour permettre une bonne détection de la charge et un bon essorage, le couvercle se verrouille et le témoin Lid Locked (couvercle verrouillé) s'allume. Ce témoin lumineux indique que le couvercle est verrouillé et qu'il ne peut être ouvert.



Si l'on doit ouvrir le couvercle, appuyer sur START/Pause (mise en marche/pause). Le couvercle se déverrouille une fois que le mouvement de la laveuse a cessé. Il se peut que cela prenne plusieurs minutes si la laveuse essore la charge à grande vitesse. Appuyer de nouveau sur START/PAUSE (mise en marche/pause) pendant 3 secondes pour reprendre le programme.

Éviter d'ouvrir le couvercle durant la détection. Le processus de détection recommencera une fois la laveuse remise en marche.

9 GRAND REMPLISSAGE & TÉMOINS LUMINEUX DES NIVEAU D'EAU À AUTOMATIQUE DÉTECTION

DEEP FILL (grand remplissage)

Deep Fill mode (mode de grand remplissage) est OFF (désactivée) par défaut, mais peut être activée pour un cycle, sauf Sanitize with Oxi & Steam (assainissement avec Oxi et vapeur) ou Sanitize with Oxi (assainissement avec Oxi) (selon le modèle), Drain & Spin (vidange et essorage) et Clean Washer (nettoyage de la laveuse).

Lors de la sélection de Deep Fill (grand remplissage), la lumière de grand remplissage se met en marche et les Auto Sensing Water Level Status Lights (témoins lumineux des niveau d'eau à automatique détection) éteignent.

En Deep Fill Mode (mode de grand remplissage), la laveuse va remplir à un niveau d'eau prédéterminé indépendant de la taille de la charge, ce qui permet une plus grande souplesse dans la façon dont vous vous lavez vos vêtements.

AUTO SENSING WATER LEVEL STATUS LIGHTS (témoins lumineux des niveau d'eau à automatique détection)

Lorsque la laveuse fonctionne en Low Water Wash Mode (mode de lavage à faible eau) (grand remplissage est éteint), ces témoins lumineux fournissent des informations sur la taille de la charge qui a été détecté. Lors de la mise sous tension l'appareil en Low Water Wash Mode (mode de lavage à faible eau), les trois témoins lumineux seront allumés. Les témoins lumineux restent allumés jusqu'à ce que la partie de détection du cycle est terminé. La laveuse va maintenant éclairer la réflexion de la lumière de la taille de la charge détecté.

REMARQUE: Ces témoins lumineux ne fonctionnent que lorsque le Deep Fill Mode (mode de grand remplissage) est OFF (éteint).

Distributeurs

A Distributeur d'assouplissant liquide

Si désiré, verser la mesure d'assouplissant liquide dans le distributeur d'assouplissant liquide. Celui-ci distribuera automatiquement le produit au moment opportun.

- Utiliser uniquement de l'assouplissant liquide dans ce distributeur.

B Distributeur de détergent haute efficacité "HE"

Verser le détergent HE liquide ou en poudre dans ce distributeur pour le programme de lavage principal. Retirez le compartiment si vous utilisez un détergent en poudre.

IMPORTANT : S'assurer que le compartiment se trouve dans le tiroir lorsque l'on utilise du détergent liquide, et qu'il a été retiré lorsque l'on utilise du détergent en poudre. Ne pas dépasser la ligne de remplissage MAX.



Utiliser uniquement un détergent haute efficacité (HE).

REMARQUE : Suivre les recommandations du fabricant pour déterminer la quantité de détergent à utiliser. Ne pas ajouter de sachet de lessive à dose unique, d'agent de blanchiment sans danger pour les couleurs, ou des cristaux d'assouplissant pour tissu dans les distributeurs. Ils ne seront pas distribués correctement.

C Distributeur Oxi

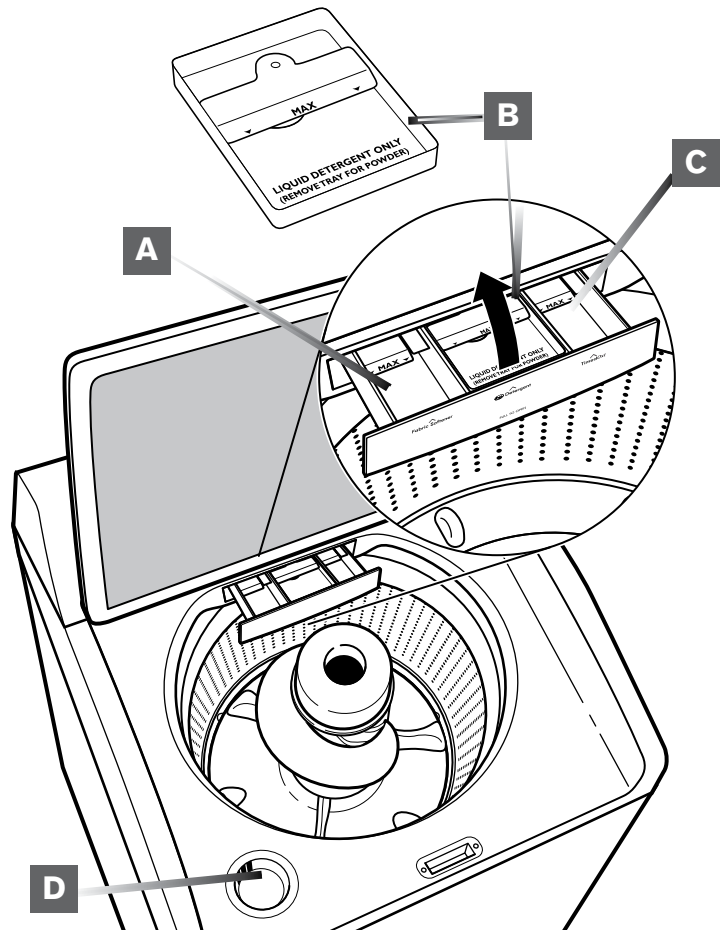
Ce distributeur peut contenir jusqu'à $\frac{3}{4}$ de tasse (180 ml) de produit activateur Oxi ou d'un autre produit activateur de lessive, tel que de l'agent de blanchiment sans danger pour les couleurs en liquide ou en poudre. Les activateurs de lessive sont automatiquement distribués au moment adéquat lors du programme de lavage. Veiller à sélectionner Oxi parmi les options pour assurer une distribution correcte.

REMARQUE : Remplir le distributeur uniquement avec du produit activateur Oxi. Ne pas mélanger avec de l'agent de blanchiment.

D Distributeur d'eau de Javel

Ce distributeur peut contenir jusqu'à $\frac{3}{4}$ de tasse (180 mL) d'eau de Javel. L'agent de blanchiment sera automatiquement dilué et distribué au moment opportun au cours du programme de lavage. Ce distributeur ne peut pas diluer de l'agent de blanchiment en poudre.

REMARQUE : Remplir le distributeur uniquement avec de l'eau de Javel.



GUIDE DE PROGRAMMES

Les réglages indiqués sont les réglages par défaut pour ce programme. Après avoir sélectionné un programme, les modificateurs par défaut ou les modificateurs précédemment réglés correspondant à ce programme s'allument. Pour un meilleur soin des tissus, choisir le programme qui convient le mieux à la charge à laver. Certains programmes et options ne sont pas disponibles sur certains modèles.

Articles à laver :	Programme :	Température* :	Niveau de saleté :	Vitesse d'essorage** :	Détails du programme :
Vêtements excessivement sales, articles nécessitant un nettoyage supplémentaire	Power Wash® (lavage haute puissance)	cold <input type="checkbox"/> warm <input type="checkbox"/> hot <input checked="" type="checkbox"/>	extra light <input type="checkbox"/> med <input type="checkbox"/> extra heavy <input checked="" type="checkbox"/>	none <input type="checkbox"/> med <input type="checkbox"/> max extract <input checked="" type="checkbox"/>	Utiliser ce programme pour les articles très sales ou robustes. Le processus de détection du niveau d'eau peut prendre plus longtemps pour certains articles que pour d'autres, car ils absorbent plus d'eau que d'autres types de tissu.
Cotons lumineux et de couleur sombre et des charges mixtes	Colors (couleurs)	cold <input type="checkbox"/> warm <input checked="" type="checkbox"/> hot <input type="checkbox"/>	extra light <input type="checkbox"/> med <input type="checkbox"/> extra heavy <input checked="" type="checkbox"/>	none <input type="checkbox"/> med <input type="checkbox"/> max extract <input checked="" type="checkbox"/>	Utilisez ce programme pour laver les vêtements sombres et colorés, y compris les charges mixtes et l'usure active.
Articles de grande taille tels que les sacs de couchage, les petits duvets, les vestes, les draps, les petits tapis lavables	Bedding (litterie)	cold <input type="checkbox"/> warm <input checked="" type="checkbox"/> hot <input type="checkbox"/>	extra light <input type="checkbox"/> med <input checked="" type="checkbox"/> extra heavy <input type="checkbox"/>	none <input type="checkbox"/> med <input checked="" type="checkbox"/> max extract <input type="checkbox"/>	Utiliser ce programme pour laver de gros articles tels que des vestes et de petites couettes. La laveuse se remplit de suffisamment d'eau pour mouiller la charge avant que la portion de lavage du programme ne commence. Ce programme utilise plus d'eau que les autres programmes.
Tissus grand-teint très sales	Sanitize with Oxi & Steam (Assainissement avec Oxi et vapeur) ou Sanitize with Oxi (Assainissement avec Oxi) (selon le modèle)	cold <input type="checkbox"/> warm <input type="checkbox"/> hot <input checked="" type="checkbox"/>	extra light <input type="checkbox"/> med <input type="checkbox"/> extra heavy <input checked="" type="checkbox"/>	none <input type="checkbox"/> med <input type="checkbox"/> max extract <input checked="" type="checkbox"/>	Utiliser ce programme pour éliminer 99,9 % des bactéries en l'utilisant avec l'option Oxi. On doit utiliser un programme préréglé pour un assainissement correct. Veiller à ajouter un produit Oxi dans le distributeur Oxi.
Maillots de bain et articles nécessitant un rinçage sans détergent	Drain & Spin/Rinse & Spin (vidange et essorage/rinçage et essorage)	S.O.	S.O.	none <input type="checkbox"/> med <input checked="" type="checkbox"/> max extract <input type="checkbox"/>	Combine un rinçage et un essorage à grande vitesse pour les charges nécessitant un programme de rinçage supplémentaire ou pour terminer une charge après une coupure de courant. Utiliser également pour les charges nécessitant uniquement un rinçage. Si uniquement Drain & Spin (vidange et essorage) est désiré, sélectionner le programme Rinse & Spin (rinçage et essorage) puis appuyer pour désélectionner l'option Extra Rinse (rinçage supplémentaire). Si vous souhaitez exécuter seulement le cycle de vidange et essorage, sélectionner le cycle de vidange et essorage. Si vous souhaitez lancer un rinçage et essorage, sélectionner à la fois le cycle de vidange et essorage et l'option de rinçage supplémentaire
Articles en coton, linge de maison, et charges mixtes	Normal	cold <input type="checkbox"/> warm <input checked="" type="checkbox"/> hot <input type="checkbox"/>	extra light <input type="checkbox"/> med <input checked="" type="checkbox"/> extra heavy <input type="checkbox"/>	none <input type="checkbox"/> med <input type="checkbox"/> max extract <input checked="" type="checkbox"/>	Utiliser ce programme pour les articles en coton et les charges de tissus mixtes présentant un degré de saleté normal.

*Tous les rinçages se font à l'eau froide.

GUIDE DE PROGRAMMES

Les réglages indiqués sont les réglages par défaut pour ce programme. Après avoir sélectionné un programme, les modificateurs par défaut ou les modificateurs précédemment réglés correspondant à ce programme s'allument. Pour un meilleur soin des tissus, choisir le programme qui convient le mieux à la charge à laver. Certains programmes et options ne sont pas disponibles sur certains modèles.

Articles à laver :	Programme :	Température* :	Niveau de saleté :	Vitesse d'essorage** :	Détails du programme :
Articles en coton de couleur vive ou foncée, linge de maison, tout-aller et charges mixtes	Cold Wash (lavage à l'eau froide)	cold <input checked="" type="checkbox"/> warm <input type="checkbox"/> hot <input type="checkbox"/>	extra light <input type="checkbox"/> med <input type="checkbox"/> extra heavy <input checked="" type="checkbox"/>	none <input type="checkbox"/> med <input type="checkbox"/> max extract <input checked="" type="checkbox"/>	Un lavage à l'eau froide et un lavage renforcé éliminent les taches en douceur tout en prenant soin des tissus. Les réglages peuvent être ajustés comme souhaité, mais ils doivent se faire uniquement à l'eau froide.
Articles non repassables, articles en coton, de pressage permanent, linge de maison, tissus synthétiques	Wrinkle Control (commande antifroissement)	cold <input type="checkbox"/> warm <input checked="" type="checkbox"/> hot <input type="checkbox"/>	extra light <input type="checkbox"/> med <input type="checkbox"/> extra heavy <input checked="" type="checkbox"/>	none <input type="checkbox"/> med <input checked="" type="checkbox"/> max extract <input type="checkbox"/>	Utiliser ce programme pour laver des charges de vêtements qui ne se repassent pas tels que chemises de sport, chemisiers, vêtements de travail tout-aller, articles à pressage permanent et mélanges de tissus.
Articles en soie lavables en machine, tissus lavables à la main	Delicates (articles délicats)	cold <input type="checkbox"/> warm <input checked="" type="checkbox"/> hot <input type="checkbox"/>	extra light <input checked="" type="checkbox"/> med <input type="checkbox"/> extra heavy <input type="checkbox"/>	none <input type="checkbox"/> med <input checked="" type="checkbox"/> max extract <input type="checkbox"/>	Utiliser ce programme pour laver des vêtements légèrement sales dont l'étiquette de soin indique "Soie lavable en machine" ou "Programme délicat". Placer les petits articles dans des sacs en filet avant le lavage. Ce programme utilise un niveau d'eau prédéterminé supérieur.
Charges légèrement sales, petits, ou mixtes.	Rapid Wash (lavage rapide)	cold <input type="checkbox"/> warm <input type="checkbox"/> hot <input checked="" type="checkbox"/>	extra light <input checked="" type="checkbox"/> med <input type="checkbox"/> extra heavy <input type="checkbox"/>	none <input type="checkbox"/> med <input type="checkbox"/> max extract <input checked="" type="checkbox"/>	Utilisez ce programme pour laver rapidement du linge peu sale et de petites charges. Le cycle rapide de lavage utilise des périodes plus courtes de lavage plus intense pour nettoyer les articles rapidement.
Pas de vêtements dans la laveuse	Clean Washer with affresh® (nettoyage de la laveuse avec affresh®)	S.O.	S.O.	S.O.	Utiliser ce programme à l'issue de chaque série de 30 lavages pour que l'intérieur de la laveuse reste frais et propre. Ce programme utilise un niveau d'eau plus élevé. Avec ce programme, utiliser une tablette de nettoyant pour laveuse affresh® ou de l'eau de Javel pour nettoyer soigneusement l'intérieur de votre laveuse. Ce programme ne doit pas être interrompu. Voir "Entretien de la laveuse". IMPORTANT : Ne pas placer de vêtements ou autres articles dans la laveuse pendant le programme Clean Washer with affresh®. Utiliser ce programme avec une cuve de lavage vide.

*Tous les rinçages se font à l'eau froide.

UTILISATION DE LA LAVEUSE

⚠ AVERTISSEMENT



Risque d'incendie

Ne jamais mettre des articles humectés d'essence ou d'autres fluides inflammables dans la laveuse.

Aucune laveuse ne peut complètement enlever l'huile.

Ne pas faire sécher des articles qui ont été salis par tout genre d'huile (y compris les huiles de cuisson).

Le non-respect de ces instructions peut causer un décès, une explosion ou un incendie.

⚠ AVERTISSEMENT



Risque de choc électrique

Brancher sur une prise à 3 alvéoles reliée à la terre.

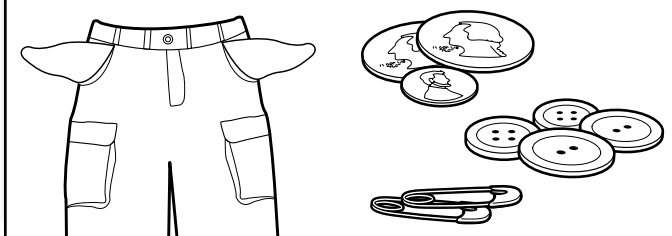
Ne pas enlever la broche de liaison à la terre.

Ne pas utiliser un adaptateur.

Ne pas utiliser un câble de rallonge.

Le non-respect de ces instructions peut causer un décès, un incendie ou un choc électrique.

1. Trier et préparer le linge



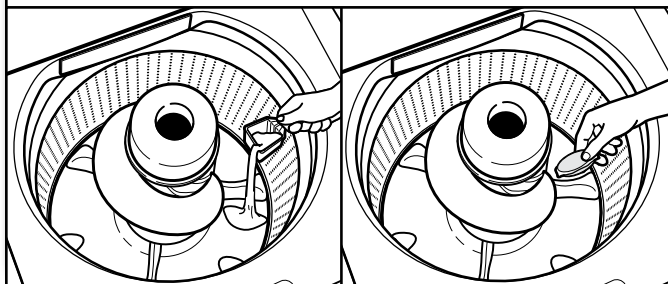
- Vider les poches. Des pièces de monnaie, des boutons ou objets de petite taille sont susceptibles de glisser sous l'agitateur et de s'y coincer, ce qui peut entraîner des bruits inattendus.
- Trier les articles en fonction du programme et de la température d'eau recommandés, ainsi que de la solidité des teintures.
- Séparer les articles très sales des articles peu sales.
- Séparer les articles délicats des tissus résistants.
- Ne pas sécher les vêtements si les taches sont toujours présentes après le lavage, car la chaleur pourrait fixer les taches sur le tissu.
- Traiter les taches sans délai.
- Fermer les fermetures à glissière, attacher les crochets, cordons et ceintures en tissu. Ôter les garnitures et les ornements non lavables
- Réparer les déchirures pour éviter que les articles ne s'endommagent encore davantage lors du lavage.

Conseils utiles :

- Pour une meilleure performance, utiliser un détergent haute efficacité (HE) pour le lavage des articles volumineux.
- Lors du lavage d'articles imperméables ou résistants à l'eau, charger la machine de façon uniforme. Voir le "Guide de programmes" pour des conseils et pour plus d'informations sur l'utilisation du programme Bedding (litterie).
- Utiliser des sacs en filet pour aider à empêcher l'emmêlement lors du lavage d'articles délicats ou de petits articles.
- Retourner les tricotés pour éviter le boulochage. Séparer les articles qui forment la charpie de ceux qui la retiennent. Les articles synthétiques, tricotés et articles en velours retiennent la charpie provenant des serviettes, des tapis et des tissus de chenille.

Toujours lire et suivre les instructions des étiquettes de soin des tissus pour éviter d'endommager les vêtements.

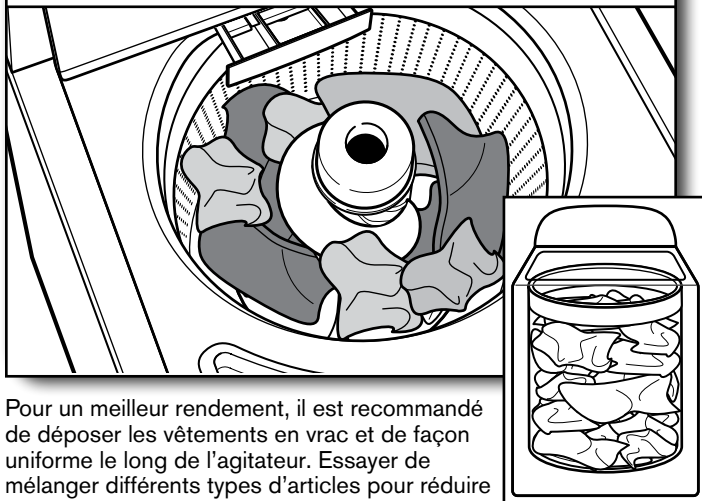
2. Ajouter les produits de lessive



On peut ajouter un sachet de lessive à dose unique, l'agent de blanchiment sans danger pour les couleurs, le produit Oxi ou des cristaux d'assouplissant pour tissu dans le panier avant d'ajouter le linge.

REMARQUE : N'ajoutez pas les vêtements au panier de la laveuse avant d'ajouter des produits de buanderie. Toujours suivre les instructions du fabricant.

3. Charger les vêtements dans la laveuse



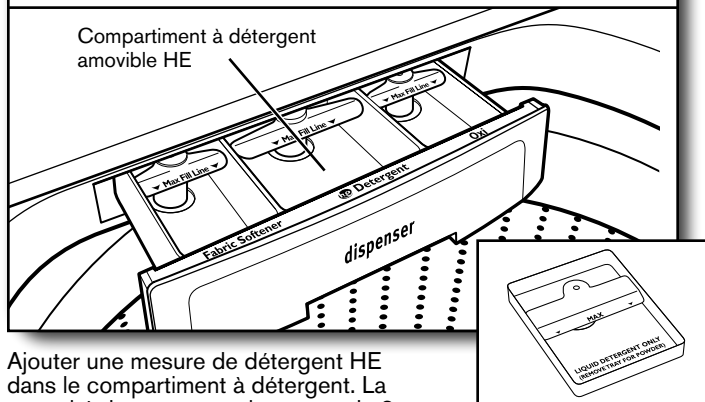
Pour un meilleur rendement, il est recommandé de déposer les vêtements en vrac et de façon uniforme le long de l'agitateur. Essayer de mélanger différents types d'articles pour réduire l'emmêlement.

IMPORTANT : Les articles doivent pouvoir se déplacer librement pour un nettoyage optimal et pour réduire le froissement et l'emmêlement.

Utilisation des distributeurs de produits de lessive

REMARQUE : Ne pas ajouter de sachet de lessive à dose unique, d'agent de blanchiment sans danger pour les couleurs ou des cristaux d'assouplissant dans les distributeurs. Ils ne seront pas distribués correctement. Ajouter dans le panier avant d'ajouter la lessive.

4. Ajouter le détergent HE dans le distributeur



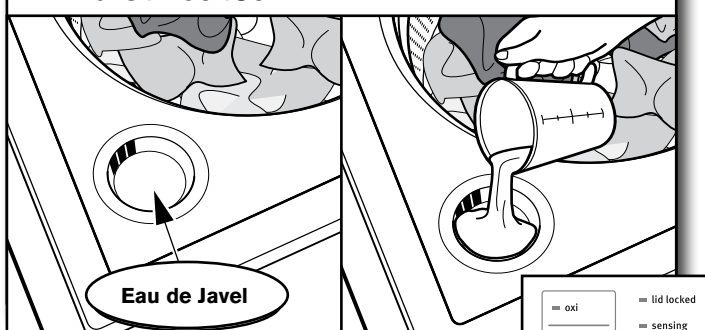
Ajouter une mesure de détergent HE dans le compartiment à détergent. La capacité de ce compartiment est de 3 oz (89 ml). Ne pas faire remplir excessivement le compartiment – le fait d'ajouter trop de détergent peut entraîner sa distribution prématurée dans la laveuse.

REMARQUE : S'assurer que le compartiment se trouve dans le tiroir lorsque l'on utilise du détergent liquide, et qu'il a été retiré lorsque l'on utilise du détergent en poudre. Ne pas dépasser la ligne de remplissage MAX.

IMPORTANT : Utiliser uniquement des détergents haute efficacité. L'emballage portera la mention "HE" ou "High Efficiency" (haute efficacité). Un lavage avec faible consommation d'eau produit un excès de mousse avec un détergent non HE ordinaire. Il est probable que l'utilisation d'un détergent ordinaire prolongera la durée des programmes et réduira la performance de rinçage. Ceci peut aussi entraîner des défaillances des composants et une moisissure perceptible. Les détergents HE sont conçus pour produire la quantité de mousse adéquate pour le meilleur rendement. Suivre les instructions du fabricant pour déterminer la quantité de détergent à utiliser.

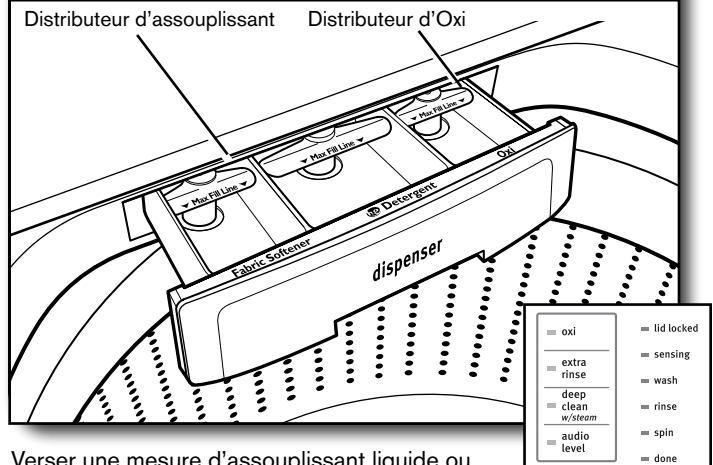
CONSEIL UTILE : Voir "Entretien de la laveuse" pour plus d'information sur la méthode recommandée pour le nettoyage des distributeurs de la laveuse.

5. Ajouter l'eau de Javel dans le distributeur



Ne pas remplir excessivement le distributeur ne pas diluer ni utiliser plus d'une tasse (236 ml). Ne pas utiliser d'agent de blanchiment sans danger pour les couleurs ni de produit Oxi avec un programme utilisant de l'eau de Javel.

6. Verser de l'assouplissant liquide ou d'Oxi dans le distributeur.



Verser une mesure d'assouplissant liquide ou d'activateurs de type Oxi dans le distributeur – toujours suivre les instructions du fabricant concernant la dose d'assouplissant ou d'Oxi à utiliser en fonction de la taille de la charge. Fermer le tiroir distributeur puis, sélectionner l'option Oxi. Le produit Oxi est ajouté lors du lavage principal et l'assouplissant est ajouté lors du rinçage.

IMPORTANT : L'option Oxi doit être sélectionnée pour que le produit soit distribué correctement et au moment adéquat du programme. Ne pas remplir le distributeur excessivement ni diluer le produit. Si l'on remplit excessivement le distributeur, l'assouplissant sera distribué dans la laveuse immédiatement.

Si l'on sélectionne l'option Extra Rinse (rinçage supplémentaire), l'assouplissant sera distribué au cours du dernier rinçage.

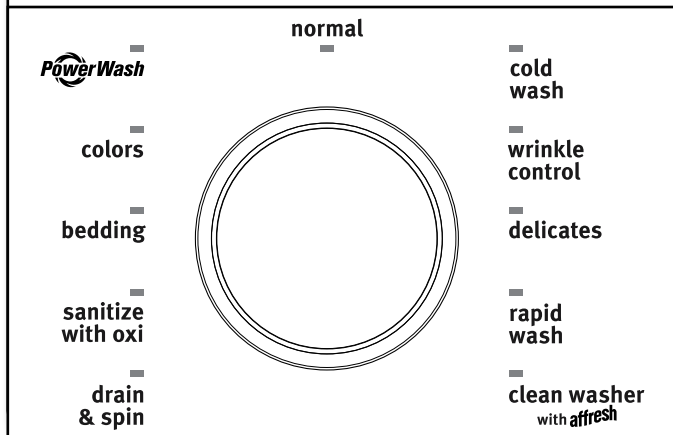
Il est normal qu'il reste une petite quantité d'eau dans le distributeur une fois le programme terminé.

7. Appuyer sur POWER (mise sous tension pour mettre en marche la laveuse



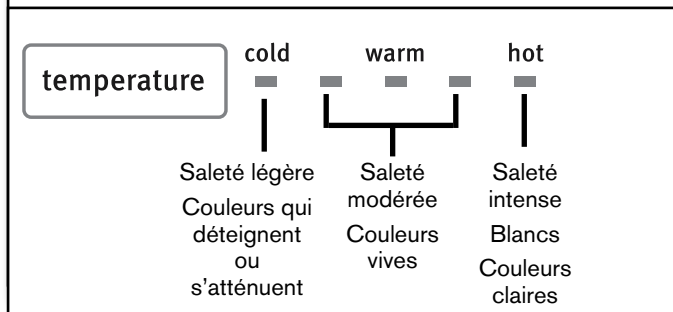
S'assurer que le tiroir distributeur est complètement fermé, puis appuyer sur POWER (mise sous tension) pour mettre la laveuse en marche. D'autres moyens de mettre en marche la laveuse consistent à ouvrir le couvercle ou à tourner le bouton de sélection de programme.

8. Sélectionner le programme



Tourner le bouton de programme pour choisir un programme de lavage.

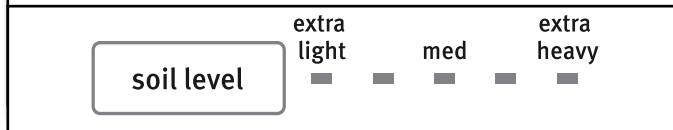
9. Sélectionner la température de lavage



Après avoir sélectionné un programme, sélectionner la température de lavage désirée en tournant le bouton Temperature (température). Même avec un réglage de lavage à l'eau froide, il est possible que de l'eau tiède soit ajoutée à la laveuse pour maintenir une température minimale.

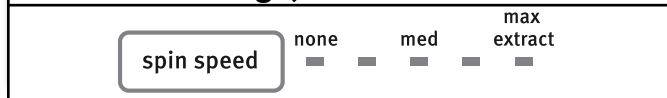
REMARQUE : Toujours lire et suivre les instructions des étiquettes de soin des tissus pour éviter d'endommager les vêtements. En cas de doute quant à la température à utiliser, se référer au tableau ci-dessous ou sélectionner une température plus froide.

10. Sélectionner SOIL LEVEL (niveau de saleté)



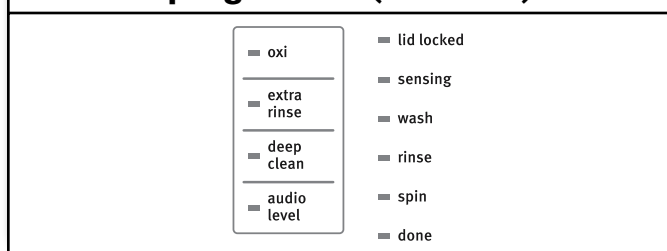
Après avoir sélectionné un programme, sélectionner le niveau de saleté désiré en appuyant sur le bouton Soil Level (niveau de saleté) au réglage désiré.

11. Select SPIN SPEED (vitesse d'essorage)



Une fois que vous sélectionnez un cycle, vous pouvez régler la vitesse d'essorage en appuyant sur le bouton de vitesse d'essorage jusqu'à la réglage désiré.

12. Sélectionner les options de programme (si désiré)



Si l'on souhaite ajouter un rinçage supplémentaire ou utiliser l'option Oxi, appuyer sur le bouton correspondant pour activer cette caractéristique.

13. Sélectionner DEEP FILL (mode de grand remplissage), si désiré



Une fois que vous sélectionnez un cycle, vous pouvez désactiver le mode détection automatique et activer Deep Fill Mode (mode de grand remplissage) en appuyant sur le bouton DEEP FILL.

14. Appuyer sur START/Pause (mise en marche/pause) pour démarrer le programme de lavage



Appuyer sur le bouton START/PAUSE (mise en marche/pause) pendant 3 secondes pour démarrer le programme de lavage. Lorsque le programme est terminé, le signal de fin de programme retentit (si activé). Retirer rapidement les vêtements une fois le programme terminé pour empêcher la formation d'odeurs, réduire le froissement et empêcher les crochets métalliques, fermetures à glissière et boutons-pressions de rouiller.

Déverrouiller le couvercle pour ajouter les articles
Si l'on doit ouvrir le couvercle pour ajouter 1 ou 2 vêtements :

Appuyer sur START/PAUSE (mise en marche/pause) pour mettre la laveuse en pause; le couvercle se déverrouille une fois que le mouvement de la laveuse a cessé. Ceci peut prendre plusieurs minutes si la laveuse essorait la charge à grande vitesse. Fermer ensuite le couvercle et appuyer de nouveau sur START/PAUSE (mise en marche/pause) pendant 3 secondes pour redémarrer le programme.

IMPORTANT : Si on laisse le couvercle ouvert pendant plus de 10 minutes, l'eau est vidangée et le code d'erreur F8E6 apparaît sur l'afficheur.

ENTRETIEN DE LA LAVEUSE

TUYAUX D'ARRIVÉE D'EAU

Remplacer les tuyaux d'arrivée d'eau après 5 ans d'utilisation pour réduire le risque de défaillance intempestive. Inspecter périodiquement les tuyaux; les remplacer en cas de renflement, de déformation, de coupure et d'usure ou si une fuite se manifeste.

Lorsque vous remplacez les tuyaux d'arrivée d'eau, noter la date de remplacement au marqueur indélébile sur l'étiquette.

REMARQUE : Cette laveuse ne comprend pas de tuyaux d'arrivée d'eau. Voir les Instructions d'installation pour plus de renseignements.

ENTRETIEN DE LA LAVEUSE

Recommandations pour une laveuse propre et pour un niveau de performance optimal

1. Toujours utiliser des détergents haute efficacité (HE) et suivre les recommandations du fabricant de détergent HE pour déterminer la quantité de détergent HE à utiliser. Ne jamais utiliser plus que la quantité recommandée de détergent, car ceci peut augmenter le taux d'accumulation de résidus de détergent et de souillures à l'intérieur de la laveuse, ce qui pourrait entraîner la formation d'odeurs indésirables.
2. Exécuter périodiquement des lavages avec de l'eau tiède ou chaude (et non pas exclusivement des lavages à l'eau froide), car l'eau tiède ou chaude permet de contrôler plus efficacement la vitesse à laquelle les saletés et les résidus de détergent s'accumulent.
3. Veiller à toujours laisser le couvercle de la laveuse ouvert entre deux utilisations pour qu'elle puisse sécher, et pour éviter l'accumulation de résidus générateurs d'odeurs.

Nettoyage de la laveuse à chargement par le dessus

Lire complètement ces instructions avant d'entreprendre les opérations de nettoyage de routine recommandées ci-dessous. Le processus d'entretien de la laveuse doit être exécuté au moins une fois par mois ou à intervalles de 30 lavages (selon la période la plus courte des deux); ceci permettra de contrôler la vitesse à laquelle les résidus de détergent et les souillures s'accumulent dans la laveuse.

Nettoyage de l'intérieur de la laveuse

Pour que l'intérieur de la laveuse reste libre de toute odeur, suivre les instructions d'utilisation indiquées ci-dessus et effectuer la procédure de nettoyage mensuelle recommandée suivante :

Programme Clean Washer (nettoyage de la laveuse)

Cette laveuse comporte un programme spécial qui utilise un volume d'eau plus important en conjonction avec le nettoyant pour laveuse affresh® ou un agent de blanchiment liquide au chlore pour nettoyer l'intérieur de la laveuse.

Début de la procédure

1. **Procédure de nettoyage avec le nettoyant pour laveuse affresh® (recommandé pour une performance optimale) :**
 - a. Ouvrir le couvercle de la laveuse et retirer tout vêtement ou article.
 - b. Placer une pastille de nettoyant pour laveuse affresh® dans le fond du panier de la laveuse.
 - c. Ne pas placer de pastille de nettoyant pour laveuse affresh® dans le distributeur à détergent.
 - d. Ne pas ajouter de détergent ou autre composé chimique dans la laveuse lors de l'exécution de cette procédure.
 - e. Rabattre le couvercle de la laveuse.
 - f. Sélectionner le programme CLEAN WASHER (nettoyage de la laveuse).

ENTRETIEN DE LA LAVEUSE (suite)

- g. Appuyer et maintenir enfoncer le bouton START/Pause (mise en marche/pause) pour démarrer le programme. Le processus du programme de nettoyage de la laveuse est décrit ci-dessous.

REMARQUE : Pour de meilleurs résultats, ne pas interrompre le programme. Si l'on doit interrompre le programme, appuyer sur POWER (mise sous tension). Une fois le programme de nettoyage de la laveuse terminé, effectuer un programme RINSE & SPIN (rinçage et essorage) pour rincer le nettoyant de la laveuse.

2. Méthode avec agent de blanchiment au chlore (autre option) :

- a. Ouvrir le couvercle de la laveuse et retirer tout vêtement ou article.
- b. Verser 1 tasse (236 ml) d'agent de blanchiment liquide au chlore dans le distributeur d'agent de blanchiment.

REMARQUE : L'emploi d'une quantité d'agent de blanchiment liquide au chlore supérieure à ce qui est recommandé ci-dessus pourrait endommager la laveuse avec le temps.

- c. Rabattre le couvercle de la laveuse.
- d. Ne pas ajouter de détergent ou autre composé chimique dans la laveuse lors de l'exécution de cette procédure.
- e. Sélectionner le programme CLEAN WASHER (nettoyage de la laveuse).
- f. Appuyer et maintenir enfoncer le bouton START/Pause (mise en marche/pause) pour démarrer le programme. Le processus du programme de nettoyage de la laveuse est décrit ci-dessous.

REMARQUE : Pour de meilleurs résultats, ne pas interrompre le programme. Si l'on doit annuler le programme, appuyer sur POWER (mise sous tension). Une fois le programme de nettoyage de la laveuse arrêté, effectuer un programme RINSE & SPIN (rinçage et essorage) pour rincer le nettoyant de la laveuse.

Description de l'utilisation du programme de nettoyage de la laveuse :

1. Ce programme remplit la laveuse à un niveau supérieur à celui des programmes de lavage ordinaires afin que le niveau de l'eau de rinçage soit supérieur à celui d'un programme de lavage ordinaire.
2. Ce programme comporte une agitation et un essorage pour améliorer l'élimination des souillures.

Une fois ce programme terminé, laisser le couvercle ouvert pour permettre une meilleure ventilation et pour que l'intérieur de la laveuse puisse sécher.

Nettoyage des distributeurs

Après avoir utilisé la laveuse pendant un certain temps, on peut parfois constater une accumulation de résidus dans les distributeurs de la laveuse. Pour éliminer les résidus des distributeurs, les essuyer avec un chiffon humide et les sécher avec une serviette. Ne pas tenter de retirer les distributeurs ou la garniture pour le nettoyage. Les distributeurs et la garniture ne peuvent pas être retirés. Cependant, si votre modèle comporte un tiroir distributeur, retirer le tiroir et le nettoyer avant ou après avoir effectué le programme de nettoyage de la laveuse. Si nécessaire, utiliser un nettoyant tout-usage.

Nettoyage de l'extérieur de la laveuse

Utiliser une éponge ou un chiffon doux et humide pour essuyer les renversements éventuels. Utiliser uniquement des savons ou nettoyants doux pour nettoyer la surface externe de la laveuse.

IMPORTANT : Afin d'éviter d'endommager le revêtement de la laveuse, ne pas utiliser de produits abrasifs.

NON-UTILISATION ET ENTRETIEN EN PÉRIODE DE VACANCES

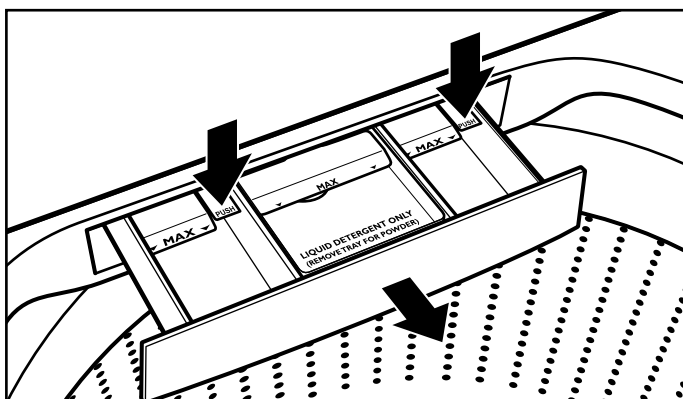
Faire fonctionner la laveuse seulement lorsqu'on est présent. En cas de déménagement ou si l'on n'utilise pas la laveuse pendant un certain temps, suivre les étapes suivantes :

1. Débrancher la laveuse ou déconnecter la source de courant électrique.
2. Fermer l'alimentation en eau de la laveuse pour éviter toute inondation due à une surpression.

NETTOYAGE DU TIROIR DISTRIBUTEUR

On trouvera peut-être des traces de produits de lessive dans les distributeurs. Pour éliminer ces traces, suivre la procédure de nettoyage recommandée suivante :

1. Tirer le tiroir jusqu'à ce que l'on sente une résistance.
2. Appuyer sur les 2 onglets, et continuer à tirer.
3. Laver dans une eau tiède et savonneuse avec un détergent doux.
4. Rincer à l'eau tiède.
5. Sécher à l'air ou avec une serviette, puis le replacer dans son logement.



IMPORTANT : Les tiroirs distributeurs ne sont pas lavables au lave-vaisselle.

ENTRETIEN POUR ENTREPOSAGE HIVERNAL

IMPORTANT : Pour éviter tout dommage, installer et remettre la laveuse à l'abri du gel. L'eau qui peut rester dans les tuyaux risque d'abîmer la laveuse en temps de gel. Si la laveuse doit faire l'objet d'un déménagement ou d'entreposage au cours d'une période de gel, hivériser la laveuse.

Hivérisation de la laveuse :

1. Fermer les deux robinets d'eau; déconnecter et vidanger les tuyaux d'arrivée d'eau.
2. Placer 1 pinte (1 l) d'antigel pour véhicule récréatif dans le panier et faire fonctionner la laveuse sur un programme RINSE & SPIN (rinçage et essorage) pendant environ 30 secondes pour mélanger l'antigel et l'eau restante.
3. Débrancher la laveuse ou déconnecter la source de courant électrique.

TRANSPORT DE LA LAVEUSE

1. Fermer les deux robinets d'eau. Débrancher et vidanger les tuyaux d'arrivée d'eau.
2. Si l'on déplace la laveuse pendant une période de gel, suivre les instructions de la section ENTRETIEN POUR ENTREPOSAGE HIVERNAL avant de la déplacer.
3. Déconnecter le tuyau de vidange du système de vidange et vidanger l'eau restante dans un plat ou un seau. Déconnecter le tuyau de vidange à l'arrière de la laveuse.
4. Débrancher le cordon d'alimentation.
5. Placer les tuyaux d'arrivée d'eau dans le panier de la laveuse.
6. Faire passer le cordon d'alimentation par-dessus la console et l'enrouler dans le panier de la laveuse.
7. Replacer l'emballage en polystyrène circulaire des matériaux d'expédition d'origine à l'intérieur de la laveuse. Si vous n'avez plus l'emballage circulaire, placer des couvertures lourdes ou des serviettes dans l'ouverture du panier. Fermer le couvercle et placer du ruban adhésif sur le couvercle et jusqu'à la partie inférieure avant de la laveuse. Laisser le couvercle fermé par l'adhésif jusqu'à ce que la laveuse soit installée à son nouvel emplacement. Déplacer la laveuse en position verticale.

RÉINSTALLATION/RÉUTILISATION DE LA LAVEUSE

Pour réinstaller la laveuse après une non-utilisation, un entreposage pour l'hiver, un déménagement ou une période de vacances :

1. Consulter les instructions d'installation pour choisir l'emplacement, régler l'aplomb de la laveuse et la raccorder.
2. Avant de réutiliser la laveuse, exécuter la procédure recommandée suivante :

Remise en marche de la laveuse :

1. Vidanger les canalisations d'eau et les tuyaux. Reconnecter les tuyaux d'arrivée d'eau. Ouvrir les deux robinets d'eau.

⚠ AVERTISSEMENT



Risque de choc électrique

Brancher sur une prise à 3 alvéoles reliée à la terre.

Ne pas enlever la broche de liaison à la terre.

Ne pas utiliser un adaptateur.

Ne pas utiliser un câble de rallonge.

Le non-respect de ces instructions peut causer un décès, un incendie ou un choc électrique.

2. Brancher la laveuse ou reconnecter la source de courant électrique.
3. Faire exécuter à la laveuse le programme BEDDING (litière) pour nettoyer la laveuse et éliminer l'antigel, le cas échéant. Utiliser uniquement un détergent HE haute efficacité. Utiliser la moitié de la quantité recommandée par le fabricant pour une charge de taille moyenne.

DÉPANNAGE

Essayer d'abord les solutions suggérées ici ou consulter le site Web www.maytag.com/product_help -
Au Canada www.maytag.ca pour obtenir de l'aide et pour éviter une intervention de réparation.

Si les phénomènes suivants se produisent	Causes possibles	Solution
Vibrations ou déséquilibre		
Vibrations, balancement ou effet de "marche" de la laveuse	Les pieds ne sont peut-être pas en contact avec le plancher ou peut-être qu'ils ne sont pas verrouillés.	Les pieds avant et arrière doivent être en contact ferme avec le plancher et la laveuse doit être d'aplomb pour fonctionner correctement. Voir "Instructions d'installation".
	La laveuse n'est peut-être pas d'aplomb.	Vérifier que le plancher n'est pas incurvé ou qu'il ne s'affaisse pas. Si le plancher est irrégulier, un morceau de contreplaqué de 3/4 po (19 mm) placé sous la laveuse permettra de réduire le bruit. Voir "Réglage de l'aplomb de la laveuse" dans les Instructions d'installation.
Vibrations durant l'essorage ou la laveuse s'arrête	La charge est peut-être déséquilibrée.	Charger les vêtements sans les tasser et de façon uniforme le long de l'agitateur. Le fait d'ajouter des articles mouillés ou de rajouter de l'eau dans le panier pourrait déséquilibrer la laveuse.
		Éviter de laver un article seul. Compenser le poids d'un article seul tel qu'un tapis ou une veste en jeans par quelques articles supplémentaires pour équilibrer le tout. Réagencer la charge, fermer le couvercle et appuyer et maintenir enfoncer le bouton START/PAUSE (mise en marche/pause).
		Utiliser le programme Bedding (literie) pour les articles de très grande taille et non absorbants tels que les petites couettes ou les vestes.
		L'article ou la charge ne convient pas au programme sélectionné. Voir "Guide de programmes" et "Utilisation et entretien de la laveuse" dans ce Guide d'utilisation et d'entretien.
Bruits - Pour une liste des bruits de fonctionnement normaux, consulter www.maytag.ca		
Cliquetis ou bruits métalliques	Des objets peut-être coincés dans le système de vidange de la laveuse.	Vider les poches avant le lavage. Les articles mobiles tels des pièces de monnaie sont susceptibles de tomber entre le panier et la cuve; ils peuvent aussi obstruer la pompe. Un appel pour intervention de dépannage s'avérera peut-être nécessaire pour retirer ces objets.
		Il est normal d'entendre les articles métalliques des vêtements comme les boutons-pression métalliques, boucles ou fermetures à glissière toucher le panier en acier inoxydable.
Gargouillement ou bourdonnement	La laveuse est peut-être en train d'évacuer de l'eau.	Il est normal d'entendre la pompe produire un bourdonnement continu accompagné de gargouillements ou de bruits de pompage périodiques lorsque les quantités d'eau restantes sont éliminées au cours des programmes d'essorage/de vidange.
Bourdonnement	Le processus de détection de la charge est peut-être en cours.	Il se peut que l'on entende le ronronnement des essorages de détection après que l'on a démarré la laveuse. Ceci est normal.
Frottements rythmiques	Il se peut que le panier ralentisse.	Il se peut que le panier qui ralentit émette un bruit de frottement rythmique. Ceci est normal.
Fuites d'eau		
Vérifier ce qui suit pour que l'installation soit correcte :	La laveuse n'est pas d'aplomb.	Il est possible que de l'eau éclabousse en dehors du panier si la laveuse n'est pas d'aplomb. Vérifier que la charge n'est pas déséquilibrée ou trop tassée.
	Les tuyaux de remplissage ne sont pas solidement fixés.	Serrer le raccord du tuyau de remplissage.
	Rondelles d'étanchéité des tuyaux de remplissage.	S'assurer que les quatre rondelles d'étanchéité plates des tuyaux de remplissage sont correctement installées.
	Raccord du tuyau de vidange.	Tirer le tuyau de vidange de la caisse de la laveuse et le fixer correctement dans le tuyau de rejet à l'égout ou l'évier de buanderie. Ne pas placer de ruban adhésif sur l'ouverture du système de vidange.
	Inspecter le circuit de plomberie du domicile pour vérifier qu'il n'y a pas de fuites ou que l'évier ou le tuyau de vidange n'est pas obstrué.	De l'eau pourrait refouler de l'évier ou du tuyau de rejet à l'égout obstrué. Inspecter tout le circuit de plomberie du domicile (évier de buanderie, tuyau de vidange, conduites d'eau et robinets) pour vérifier qu'il n'y a aucune fuite.

DÉPANNAGE

Essayer d'abord les solutions suggérées ici ou consulter le site Web www.maytag.com/product_help -
Au Canada www.maytag.ca pour obtenir de l'aide et pour éviter une intervention de réparation.

Si les phénomènes suivants se produisent	Causes possibles	Solution
Vérifier ce qui suit pour que l'installation soit correcte : (suite)	La laveuse n'a pas été chargée comme recommandé.	Une charge déséquilibrée peut entraîner une déviation du panier et de l'eau pourrait alors éclabousser en dehors de la cuve. Voir "Utilisation de la laveuse" pour des instructions sur le chargement.
La laveuse ne fonctionne pas comme prévu		
Quantité d'eau insuffisante dans la laveuse	La charge n'est pas complètement immergée dans l'eau.	Ceci correspond à un fonctionnement normal pour le mode de détection automatique. La charge ne sera pas complètement immergée. La laveuse détecte la taille de la charge et ajoute la bonne quantité d'eau pour un nettoyage optimal. Voir "Quoi de neuf sous le couvercle". IMPORTANT : Ne pas ajouter d'eau dans la laveuse. De l'eau supplémentaire éloignerait la charge de l'agitateur en la soulevant, ce qui réduirait la performance de nettoyage.
		Lancer le programme de nettoyage de la laveuse afin d'optimiser le niveau d'eau et la performance de lavage.
La laveuse ne fonctionne pas ou ne se remplit pas; elle cesse de fonctionner ou le témoin lumineux de lavage reste allumé (indiquant que la laveuse n'a pas pu se remplir correctement)	Vérifier que la laveuse est correctement alimentée en eau.	Les deux tuyaux doivent être fixés et l'eau doit pénétrer dans la valve d'arrivée.
		Les robinets d'eau chaude et d'eau froide doivent être ouverts tous les deux.
		Vérifier que les tamis des valves d'arrivée ne sont pas obstrués.
		Vérifier que les tuyaux d'arrivée d'eau ne sont pas déformés; ceci peut réduire le débit.

AVERTISSEMENT



Risque de choc électrique

Brancher sur une prise à 3 alvéoles reliée à la terre.

Ne pas enlever la broche de liaison à la terre.

Ne pas utiliser un adaptateur.

Ne pas utiliser un câble de rallonge.

Le non-respect de ces instructions peut causer un décès, un incendie ou un choc électrique.

La laveuse ne fonctionne pas ou ne se remplit pas; elle cesse de fonctionner ou le témoin lumineux de lavage reste allumé (indiquant que la laveuse n'a pas pu se remplir correctement) (suite)	Vérifier que l'alimentation électrique est correcte.	Brancher le cordon d'alimentation dans une prise à 3 alvéoles reliée à la terre. Ne pas utiliser de câble de rallonge. Vérifier que la prise est alimentée. Remettre en marche un disjoncteur qui serait ouvert. Remplacer tout fusible grillé. REMARQUE : Si le problème persiste, appeler un électricien.
	Fonctionnement normal de la laveuse.	Le couvercle doit être fermé pour que la laveuse puisse fonctionner. La laveuse fait des pauses durant certaines étapes du programme. Ne pas interrompre le programme. Il se peut que la laveuse s'arrête pour réduire la production de mousse.

DÉPANNAGE

Essayer d'abord les solutions suggérées ici ou consulter le site Web www.maytag.com/product_help -
Au Canada www.maytag.ca pour obtenir de l'aide et pour éviter une intervention de réparation.

Si les phénomènes suivants se produisent	Causes possibles	Solution
La laveuse ne fonctionne pas comme prévu (suite)		
La laveuse ne fonctionne pas ou ne se remplit pas; elle cesse de fonctionner ou le témoin lumineux de lavage reste allumé (indiquant que la laveuse n'a pas pu se remplir correctement) (suite)	La charge de la laveuse est peut-être trop tassée.	Retirer plusieurs articles, répartir uniformément la charge dans le panier. Fermer le couvercle et appuyer sur START/Pause (mise en marche/pause).
		Ne pas ajouter plus de 1 ou 2 articles supplémentaires après le début du programme.
		Ne pas ajouter d'eau dans la laveuse.
	Détergent HE non utilisé ou utilisation excessive de détergent HE.	Utiliser uniquement un détergent HE. La mousse produite par des détergents ordinaires peut ralentir ou arrêter la laveuse. Toujours mesurer la quantité de détergent et suivre les instructions figurant sur le détergent en fonction des modalités de nettoyage de la charge.
Pour éliminer la mousse, annuler le programme. Sélectionner DRAIN & SPIN (Vidange et essorage) et l'option rinçage supplémentaire. Appuyer sur START/PAUSE (mise en marche/pause). Ne pas ajouter de détergent.		
La laveuse ne se vidange pas/n'effectue pas d'essorage, les charges ressortent mouillées ou le témoin lumineux d'essorage reste allumé (indiquant que la laveuse n'était pas en mesure d'extraire l'eau [par pompage] en 10 minutes)	Des petits articles sont peut-être coincés dans la pompe ou entre le panier et la cuve, ce qui peut ralentir la vidange.	Vider les poches et utiliser des sacs à linge pour les petits articles.
	Utiliser des programmes comportant une vitesse d'essorage inférieure.	Les programmes avec vitesses d'essorage réduites éliminent moins d'eau que les programmes qui comportent des vitesses d'essorage supérieures. Utiliser la vitesse d'essorage appropriée/le programme recommandé pour le vêtement. Pour éliminer l'eau restant dans la charge, sélectionner DRAIN & SPIN (vidange et essorage). On peut avoir à réarranger la charge pour en assurer une distribution uniforme dans le panier.
	La charge de la laveuse est peut-être trop tassée ou la laveuse déséquilibrée.	Des charges très tassées ou déséquilibrées peuvent empêcher la laveuse d'essorer correctement : les charges ressortent plus mouillées qu'elles ne devraient l'être. Répartir uniformément la charge mouillée pour que l'essorage soit équilibré. Sélectionner le programme Drain & Spin (vidange et essorage) pour enlever toute eau restée dans la laveuse. Voir "Utilisation de la laveuse" pour des recommandations sur la façon de charger la laveuse.
	Charge déséquilibrée.	Voir "Vibration ou déséquilibre" dans la section Dépannage pour plus d'informations.
	Inspecter le circuit de plomberie pour vérifier que le tuyau de vidange est correctement installé. Le tuyau de vidange se prolonge dans le tuyau rigide de rejet à l'égout au-delà de 4,5 po (114 mm).	Vérifier que le tuyau de vidange est correctement installé. Utiliser la bride de retenue pour tuyau de vidange et la fixer solidement au tuyau rigide de rejet à l'égout ou à l'évier de buanderie. Ne pas placer de ruban adhésif sur l'ouverture du système de vidange. Abaisser le tuyau de vidange si l'extrémité se trouve à plus de 96 po (2,4 m) au-dessus du plancher. Retirer toute obstruction du tuyau de vidange.
	La mousse produite par un excès de détergent peut ralentir ou interrompre la vidange ou l'essorage de la laveuse.	Utiliser uniquement un détergent HE. Toujours mesurer les quantités et suivre les instructions figurant sur le détergent en fonction de la charge. Pour éliminer tout excès de mousse, sélectionner RINSE & SPIN (rinçage et essorage). Ne pas ajouter de détergent.
Endroits secs sur la charge après un programme	Un essorage à vitesse élevée extrait davantage d'humidité que les laveuses traditionnelles à chargement par le dessus.	Un essorage à vitesse élevée associé à une circulation d'air durant l'essorage final peut entraîner l'apparition de portions sèches sur le linge placé sur le haut de la charge au cours de l'essorage final. Ceci est normal.

DÉPANNAGE

Essayer d'abord les solutions suggérées ici ou consulter le site Web www.maytag.com/product_help -
Au Canada www.maytag.ca pour obtenir de l'aide et pour éviter une intervention de réparation.

Si les phénomènes suivants se produisent	Causes possibles	Solution
La laveuse ne fonctionne pas comme prévu (suite)		
Températures de lavage ou de rinçage incorrectes	Vérifier que la laveuse est correctement alimentée en eau.	Vérifier que les tuyaux d'arrivée d'eau chaude et froide n'ont pas été inversés. Les deux tuyaux doivent être raccordés à la fois à la laveuse et au robinet, et la valve d'arrivée doit recevoir à la fois de l'eau chaude et de l'eau froide. Vérifier que les tamis des valves d'arrivée ne sont pas obstrués. Éliminer toute déformation des tuyaux.
	Températures de lavage contrôlées pour effectuer des économies d'énergie.	Les laveuses haute efficacité utilisent des températures de lavage et de rinçage inférieures à celles qu'utilisait votre laveuse précédente. Cela signifie également des températures inférieures de lavage à l'eau chaude et à l'eau tiède.
Charge non rincée	Vérifier que la laveuse est correctement alimentée en eau.	Vérifier que les tuyaux d'arrivée d'eau chaude et froide n'ont pas été inversés.
		Les deux tuyaux doivent être fixés et l'eau doit pénétrer dans la valve d'arrivée.
		Les robinets d'eau chaude et d'eau froide doivent être ouverts tous les deux.
		Les tamis de la valve d'arrivée d'eau de la laveuse sont peut-être obstrués. Éliminer toute déformation du tuyau d'arrivée.
	Détergent HE non utilisé ou utilisation excessive de détergent HE.	La mousse produite par un détergent ordinaire peut empêcher la laveuse de fonctionner correctement. Utiliser uniquement un détergent HE. Veiller à mesurer correctement. Toujours mesurer la quantité de détergent et suivre les instructions du détergent en fonction de la taille et du niveau de saleté de la charge.
		La charge de la laveuse est peut-être trop tassée
Sable, poils d'animaux, charpie, etc. sur la charge après le lavage	Des résidus lourds de sable, de poils d'animaux, de charpie et de détergent ou d'agent de blanchiment peuvent nécessiter un rinçage supplémentaire.	Ajouter un rinçage supplémentaire au programme sélectionné.
La charge est emmêlée	La laveuse n'a pas été chargée comme recommandé.	Voir la section "Utilisation de la laveuse".
		Sélectionner un programme comportant un lavage plus lent et une vitesse d'essorage inférieure. Noter que les articles seront plus mouillés que si l'on utilise une vitesse d'essorage supérieure. Voir le "Guide de programmes" pour utiliser le programme qui correspond le mieux à la charge utilisée.
		Charger les vêtements sans les tasser et de façon uniforme le long de l'agitateur. Réduire l'emmêlement en mêlant plusieurs types d'articles dans la charge. Utiliser le programme recommandé correspondant aux types de vêtements à laver.

DÉPANNAGE

Essayer d'abord les solutions suggérées ici ou consulter le site Web www.maytag.com/product_help -
Au Canada www.maytag.ca pour obtenir de l'aide et pour éviter une intervention de réparation.

Si les phénomènes suivants se produisent	Causes possibles	Solution
La laveuse ne fonctionne pas comme prévu (suite)		
Ne nettoie ou ne détache pas	De l'eau supplémentaire a été ajoutée à la laveuse.	La laveuse détecte la taille de la charge et ajoute la quantité d'eau adéquate. Ceci est normal et nécessaire au mouvement des vêtements. Il est normal que la charge ne soit pas entièrement submergée. De l'eau supplémentaire éloignerait le linge de l'agitateur en le soulevant, ce qui affaiblirait la performance de nettoyage.
	La laveuse n'a pas été chargée comme recommandé.	La laveuse effectue un nettoyage moins performant si la charge est trop tassée.
		Charger les vêtements sans les tasser et de façon uniforme le long de l'agitateur.
		Si l'on souhaite ajouter des vêtements une fois que la laveuse a démarré, n'en rajouter qu'un ou deux.
	Ajout de détergent sur le dessus de la charge.	Ajouter le détergent, les produits Oxi et l'agent de blanchiment sans danger pour les couleurs au fond du panier avant de charger les articles.
	Les couleurs similaires ne sont pas lavées ensemble.	Laver ensemble les couleurs semblables et les retirer rapidement une fois le programme terminé pour éviter tout transfert de teinture.
	Détergent HE non utilisé ou utilisation excessive de détergent HE.	La mousse produite par un détergent ordinaire peut empêcher la laveuse de fonctionner correctement.
		Utiliser uniquement un détergent HE. Veiller à mesurer correctement.
		Toujours mesurer la quantité de détergent et suivre les instructions figurant sur le détergent en fonction de la taille et du niveau de saleté de la charge.
	Programme utilisé incorrect par rapport au type de tissu.	Utiliser une option de programme de niveau de saleté plus élevée et une température de lavage plus chaude pour améliorer le nettoyage.
Utiliser le programme Power Wash® pour un nettoyage puissant. Voir le "Guide de programmes" pour utiliser le programme qui correspond le mieux à la charge et au type de tissu.		
Distributeurs non utilisés.		Utiliser les distributeurs pour éviter que l'agent de blanchiment ou l'assouplissant ne tachent les vêtements.
	Remplir les distributeurs avant de démarrer un programme.	
	Ne pas verser de produits directement sur la charge.	
Fonctionnement incorrect du distributeur	Distributeurs obstrués ou produits de lessive distribués trop tôt.	Ne pas remplir excessivement le distributeur. Un remplissage excessif peut entraîner une distribution immédiate.
		Remplir les distributeurs avant de démarrer un programme.
		Il est normal qu'il reste de petites quantités d'eau dans le distributeur une fois le programme terminé.
		Pour les domiciles présentant une basse pression d'eau, il est possible qu'il reste de la poudre dans le distributeur. Pour éviter cela, sélectionner une température de lavage plus chaude si possible, en fonction de la charge.
		Nettoyer les orifices du distributeur et veiller à ce que le tiroir soit bien engagé.
	L'agent de blanchiment liquide n'a pas été versé dans le distributeur.	Utiliser seulement un agent de blanchiment liquide dans le distributeur d'agent de blanchiment.

DÉPANNAGE

Essayer d'abord les solutions suggérées ici ou consulter le site Web www.maytag.com/product_help -
Au Canada www.maytag.ca pour obtenir de l'aide et pour éviter une intervention de réparation.

Si les phénomènes suivants se produisent	Causes possibles	Solution	
La laveuse ne fonctionne pas comme prévu (suite)			
Dommages aux tissus	Des objets pointus se trouvaient dans les poches au moment du programme de lavage.	Vider les poches, fermer les fermetures à glissière, les boutons-pression et les agrafes avant le lavage pour éviter d'accrocher et de déchirer le linge.	
	Les cordons et les ceintures se sont peut-être emmêlés.	Attacher tous les cordons et les ceintures avant de démarrer le nettoyage de la charge.	
	Les articles étaient peut-être endommagés avant le lavage.	Raccommoder les déchirures et reprendre les fils cassés des coutures avant le lavage.	
	Des dommages au tissu peuvent se produire si la charge est trop tassée.		Charger les vêtements sans les tasser et de façon uniforme le long de l'agitateur.
			Utiliser le programme conçu pour les tissus à laver.
			Si l'on souhaite ajouter des vêtements une fois que la laveuse a démarré, n'en rajouter qu'un ou deux.
	Vous n'avez peut-être pas ajouté l'agent de blanchiment au chlore liquide correctement.		Ne pas verser d'agent de blanchiment au chlore liquide directement sur la charge. Essuyer tous les renversements d'agent de blanchiment.
Un agent de blanchiment non dilué endommagera les tissus. Ne pas utiliser plus que la quantité recommandée par le fabricant.			
Ne pas placer d'articles sur le dessus du distributeur d'agent de blanchiment lorsqu'on charge et décharge la laveuse.			
Les instructions de soin des vêtements n'ont peut-être pas été suivies.	Toujours lire et suivre les instructions d'entretien du fabricant indiquées sur l'étiquette du vêtement. Voir le "Guide de programmes" pour utiliser le programme qui correspond le mieux à la charge utilisée.		
Odeurs	L'entretien mensuel n'est pas effectué comme recommandé.	Faire fonctionner le programme Clean Washer with affresh® (nettoyage de la laveuse avec affresh®) une fois par mois. Voir "Entretien de la laveuse" dans la section Entretien de la laveuse.	
		Décharger la laveuse dès que le programme est terminé.	
	Détergent utilisé inadéquat ou utilisation excessive de détergent.	Utiliser uniquement un détergent HE. Veiller à mesurer correctement. Toujours suivre les instructions du fabricant. Voir la section "Entretien de la laveuse".	
Le témoin lumineux Lid Locked (couvercle verrouillé) clignote	Le couvercle n'est pas fermé.	Rabattre le couvercle. La laveuse ne démarrera et ne se remplira pas si le couvercle est ouvert.	
	Un programme a été interrompu ou suspendu à l'aide du bouton Start/Pause (mise en marche/pause).	La laveuse est peut-être toujours en phase d'essorage. Le couvercle ne se déverrouillera pas avant que le panier ne cesse de tourner. Si on lave des charges de grande taille ou des tissus lourds, ceci peut prendre quelques minutes.	
Le détergent en poudre ne se dissout pas complètement dans la charge	Utilisation excessive de détergent HE.	Suivre les recommandations du fabricant pour déterminer la quantité de détergent à utiliser.	
	La température de l'eau est très froide.	Sélectionner une température de lavage plus chaude.	
		Ajouter le détergent dans le panier avant d'ajouter le linge, plutôt que d'utiliser le distributeur de détergent.	
Le sachet de lessive à dose unique ne se dissout pas	Sachet de lessive mal utilisé.	Veiller à ajouter le sachet de lessive dans le panier de la laveuse avant d'ajouter les vêtements. Suivre les instructions du fabricant pour éviter d'endommager les vêtements.	

GARANTIE DES APPAREILS DE BUANDERIE MAYTAG®

ATTACHEZ ICI VOTRE REÇU DE VENTE. UNE PREUVE D'ACHAT EST OBLIGATOIRE POUR OBTENIR L'APPLICATION DE LA GARANTIE.

Lorsque vous appelez le centre d'eXpérience de la clientèle, veuillez garder à disposition les renseignements suivants :

- Nom, adresse et numéro de téléphone
- Numéros de modèle et de série
- Une description claire et détaillée du problème rencontré
- Une preuve d'achat incluant le nom et l'adresse du marchand ou du détaillant

SI VOUS AVEZ BESOIN DE SERVICE :

1. Avant de nous contacter pour obtenir un dépannage, veuillez déterminer si des réparations sont nécessaires pour votre produit. Certains problèmes peuvent être résolus sans intervention de dépannage. Prenez quelques minutes pour parcourir la section Dépannage ou Résolution des problèmes du guide d'utilisation et d'entretien, scannez le code QR ci-contre pour accéder à des ressources supplémentaires, ou rendez-vous sur le site https://www.maytag.ca/product_help.
2. Tout service sous garantie doit être effectué exclusivement par nos fournisseurs de dépannage autorisés Maytag. Aux É.-U. et au Canada, dirigez toutes vos demandes de service sous garantie au :



https://www.maytag.ca/product_help

Centre d'eXpérience de la clientèle Maytag

Aux É.-U., composer le 1-800-688-9900. Au Canada, composer le 1-800-807-6777.

Si vous résidez à l'extérieur du Canada et des 50 États des États-Unis, contactez votre marchand Maytag autorisé pour déterminer si une autre garantie s'applique.

GARANTIE LIMITÉE DE DIX ANS

CE QUI EST COUVERT

GARANTIE LIMITÉE DURANT LA PREMIÈRE ANNÉE (PIÈCES ET MAIN-D'ŒUVRE)

Pendant un an à compter de la date d'achat, lorsque ce gros appareil ménager est installé utilisé et entretenu conformément aux instructions jointes à ou fournies avec le produit, la marque Maytag de Whirlpool Corporation ou Whirlpool Canada LP (ci-après désignées "Maytag") décidera à sa seule discrétion de remplacer le produit ou de couvrir le coût des pièces de remplacement spécifiées par l'usine et de la main-d'œuvre nécessaires pour corriger les vices de matériaux ou de fabrication qui existaient déjà lorsque ce gros appareil ménager a été acheté. S'il est remplacé, votre appareil restera sous garantie pour la durée restant à courir de la période de garantie sur le produit d'origine.

GARANTIE LIMITÉE DE LA DEUXIÈME ANNÉE À LA DIXIÈME ANNÉE INCLUSIVEMENT (MOTEUR D'ENTRAÎNEMENT ET PANIER DE LAVAGE UNIQUEMENT - MAIN-D'ŒUVRE NON COMPRISE)

De la deuxième à la dixième année inclusivement à compter de la date d'achat initiale, lorsque ce gros appareil ménager est installé, utilisé et entretenu conformément aux instructions jointes à ou fournies avec le produit, Maytag paiera pour les pièces de rechange spécifiées par l'usine concernant les composants suivants pour corriger les défauts non esthétiques de matériau ou de fabrication desdites pièces qui empêchent le gros appareil de fonctionner et qui étaient déjà présentes lorsque ce gros appareil ménager a été acheté. La présente garantie est une garantie limitée de 10 ans sur les pièces énumérées ci-dessous et elle ne comprend pas la main-d'œuvre de réparation.

■ Moteur d'entraînement

■ Panier de lavage (parois latérales uniquement)

LE SEUL ET EXCLUSIF RECOURS DU CLIENT DANS LE CADRE DE LA PRÉSENTE GARANTIE LIMITÉE CONSISTE EN LA RÉPARATION PRÉVUE CI-DESSUS. Le service doit être fourni par une compagnie de service désignée par Maytag. Cette garantie limitée est valide uniquement aux États-Unis ou au Canada et s'applique exclusivement lorsque le gros appareil ménager est utilisé dans le pays où il a été acheté. La présente garantie limitée est valable à compter de la date d'achat initial par le consommateur. Une preuve de la date d'achat d'origine est exigée pour obtenir un service dans le cadre de la présente garantie limitée.

CE QUI N'EST PAS COUVERT

1. Usage commercial, non résidentiel ou par plusieurs familles, ou non-respect des instructions de l'utilisateur, de l'opérateur ou des instructions d'installation.
2. Visite d'instruction à domicile pour montrer à l'utilisateur comment utiliser l'appareil.
3. Visites de service pour rectifier une installation ou un entretien fautifs du produit, une installation non conforme aux codes d'électricité ou de plomberie, ou la rectification de l'installation électrique ou de la plomberie du domicile (ex : câblage électrique, fusibles ou tuyaux d'arrivée d'eau du domicile).
4. Pièces consommables (ex : ampoules, batteries, filtres à air ou à eau, solutions de conservation, etc.).
5. Défauts ou dommage résultant de l'utilisation de pièces ou accessoires Maytag non authentiques.
6. Conversion de votre produit du gaz naturel ou du gaz de pétrole liquéfié, ou inversion des portes de l'appareil.
7. Dommages causés par : accident, mésusage, abus, incendie, inondations, catastrophe naturelle ou l'utilisation de produits non approuvés par Maytag.
8. Réparations aux pièces ou systèmes dans le but de rectifier un dommage ou des défauts résultant d'une réparation, d'une altération ou d'une modification non autorisée de l'appareil.
9. Défauts d'apparence, notamment les éraflures, traces de choc, fissures ou tout autre dommage subi par le fini de l'appareil ménager, à moins que ces dommages ne résultent de vices de matériaux ou de fabrication et ne soient signalés à Maytag dans les 30 jours.
10. Décoloration, rouille ou oxydation des surfaces résultant d'environnements caustiques ou corrosifs incluant des concentrations élevées de sel, un haut degré d'humidité ou une exposition à des produits chimiques (exemples non exhaustifs).
11. Enlèvement ou livraison. Ce produit est conçu pour être réparé à l'intérieur du domicile.
12. Frais de déplacement et de transport pour le dépannage/la réparation dans une région éloignée où une compagnie de service Maytag autorisée n'est pas disponible.
13. Retrait ou réinstallation d'appareils inaccessibles ou de dispositifs préinstallés (ex : garnitures, panneaux décoratifs, plancher, meubles, îlots de cuisine, plans de travail, panneaux de gypse, etc.) qui entravent le dépannage, le retrait ou le remplacement du produit.
14. Service et pièces pour des appareils dont les numéros de série et de modèle originaux ont été enlevés, modifiés ou ne peuvent pas être facilement identifiés.

Le coût d'une réparation ou d'un remplacement dans le cadre de ces circonstances exclues est à la charge du client.

CLAUSE D'EXONÉRATION DE RESPONSABILITÉ AU TITRE DES GARANTIES IMPLICITES

LES GARANTIES IMPLICITES, Y COMPRIS LES GARANTIES APPLICABLES DE QUALITÉ MARCHANDE OU D'APTITUDE À UN USAGE PARTICULIER, SONT LIMITÉES À UN AN OU À LA PLUS COURTE PÉRIODE AUTORISÉE PAR LA LOI. Certains états et certaines provinces ne permettent pas de limitation sur la durée de garanties implicites de qualité marchande ou d'aptitude à un usage particulier, de sorte que la limitation ci-dessus peut ne pas être applicable dans votre cas. Cette garantie vous confère des droits juridiques spécifiques, et vous pouvez également jouir d'autres droits qui peuvent varier d'une juridiction à l'autre.

EXONÉRATION DE RESPONSABILITÉ EN DEHORS DE LA GARANTIE

Maytag ne prend aucun engagement quant à la qualité ou la durabilité de l'appareil, ou en cas de dépannage ou de réparation nécessaire sur ce gros appareil ménager, autre que les engagements énoncés dans la présente garantie. Si vous souhaitez une garantie prolongée ou plus complète que la garantie limitée fournie avec ce gros appareil ménager, renseignez-vous auprès de Maytag ou de votre détaillant à propos de l'achat d'une extension de garantie.

LIMITATION DES RECOURS; EXCLUSION DES DOMMAGES FORTUITS OU INDIRECTS

LE SEUL ET EXCLUSIF RECOURS DU CLIENT DANS LE CADRE DE LA PRÉSENTE GARANTIE LIMITÉE CONSISTE EN LA RÉPARATION PRÉVUE CI-DESSUS. MAYTAG N'ASSUME AUCUNE RESPONSABILITÉ POUR LES DOMMAGES FORTUITS OU INDIRECTS. Certains états et certaines provinces ne permettent pas l'exclusion ou la limitation des dommages fortuits ou indirects de sorte que ces limitations et exclusions peuvent ne pas être applicables dans votre cas. Cette garantie vous confère des droits juridiques spécifiques, et vous pouvez également jouir d'autres droits qui peuvent varier d'une juridiction à l'autre.

11/14

Assistance or Service

Before calling for assistance or service, please check “Troubleshooting” or visit www.maytag.com/help. It may save you the cost of a service call. If you still need help, follow the instructions below. When calling, please know the purchase date and the complete model and serial number of your appliance. This information will help us to better respond to your request.

If you need replacement parts or to order accessories

We recommend that you use only FSP® Factory Specified Parts. These parts will fit right and work right because they are made with the same precision used to build every new MAYTAG® appliance.

To locate FSP® replacement parts or accessories go to www.maytagpartsonline.com.

Questions? Call us toll free at 1-800-344-1274 or in Canada call 1-800-688-2002.

Our consultants provide assistance with

In the U.S.A.

- Features and specifications on our full line of appliances.
- Installation information.
- Specialized customer assistance (Spanish speaking, hearing impaired, limited vision, etc.).

In the U.S.A. and Canada

- Use and maintenance procedures.
- Accessory and repair parts sales.
- Referrals to local dealers, repair parts distributors, and service companies. Whirlpool designated service technicians are trained to fulfill the product warranty and provide after-warranty service, anywhere in the United States and Canada.

You can write with any questions or concerns at:

Maytag Brand Appliances
Customer eXperience Center
553 Benson Road
Benton Harbor, MI 49022-2692
1-800-344-1274

Maytag Brand Appliances
Customer eXperience Centre
Unit 200-6750 Century Ave
Mississauga, Ontario L5N 0B7
1-800-688-2002

Please include a daytime phone number in your correspondence.

Assistance ou Service

Avant de faire un appel pour obtenir de l'assistance ou un entretien, vérifiez la section “Dépannage” ou consulter www.maytag.com/help. Cette vérification peut vous faire économiser le coût d'une visite de réparation.

Si vous avez encore besoin d'aide, suivre les instructions ci-dessous.

Lors d'un appel, garder à portée de main la date d'achat et les numéros de modèle et de série de votre appareil. Ces renseignements nous aideront à mieux répondre à votre demande.

Pour commander des pièces de rechange ou des accessoires

Pour commander des pièces de rechange, nous vous recommandons d'utiliser seulement des pièces spécifiées par l'usine. Ces pièces conviendront et fonctionneront bien parce qu'elles sont fabriquées selon les mêmes spécifications précises utilisées pour construire chaque nouvel appareil MAYTAG®.

Pour trouver des pièces de rechange FSP® ou des accessoires, visiter le www.maytag.ca.

Des questions? Composer le numéro sans frais 1-800-688-2002.

Nos consultants fournissent l'assistance pour :

- Procédés d'utilisation et d'entretien.
- Vente d'accessoires et de pièces de rechange.
- Références aux concessionnaires, compagnies de service de réparation et distributeurs de pièces de rechange locaux. Les techniciens de service désignés par Whirlpool sont formés pour remplir la garantie des produits et fournir un service après la garantie, partout au Canada.

Pour plus d'assistance

Vous pouvez nous soumettre toute question ou tout problème en écrivant à l'adresse ci-dessous :

Maytag Brand Appliances
Centre pour l'eXpérience de la clientèle
Unit 200-6750 Century Ave
Mississauga, Ontario L5N 0B7
1-800-688-2002

Dans votre correspondance, veuillez indiquer un numéro de téléphone où nous pouvons vous joindre dans la journée.