

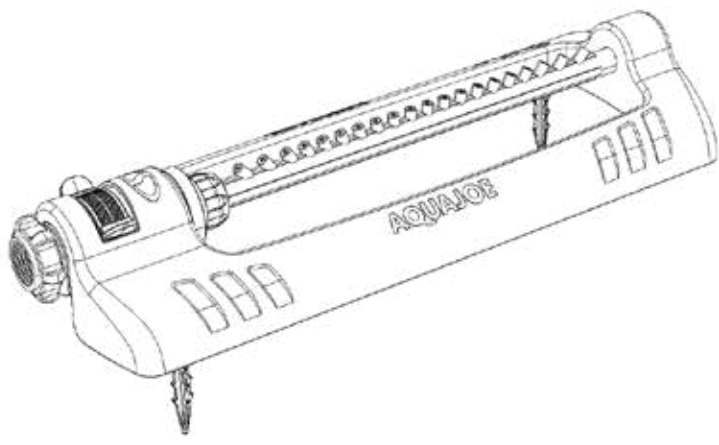


OPERATOR'S MANUAL

OSCILLATING SPRINKLER
INDESTRUCTIBLE METAL SPIKE BASE

Model SJI-OMS20-SPK

Form No. ASP-SJI-OMS20-SPK-880E-M (A)



THANK YOU FOR YOUR PURCHASE!

HAS YOUR SNOW JOE EXPERIENCE LEFT YOU SMILING? 😊

TELL YOUR FRIENDS AND TAG US!

We love to hear your feedback! Share your experience by writing comments and reviews on shopjoe.com, or connect with us on social media!



@SNOWJOECO

#GOWITHJOE

OR HAS SOMETHING LEFT YOU LESS THAN SATISFIED? 😞

WE'RE SORRY ABOUT THAT!

Our friendly customer service team is ready to help you with any issues you may have.

CALL US
1-866-225-9723

CHAT WITH US
SHOPJOE.COM/CHAT

SCAN REGISTER ONLINE TODAY



Place UPC sticker here

- ✓ ACTIVATE YOUR **2 YEAR WARRANTY**
- ✓ RECEIVE **90 DAYS BONUS COVERAGE**
- ✓ VISIT **SHOPJOE.COM/REGISTER**

Failure to register your product purchase will not diminish your warranty rights. For more information visit shopjoe.com



UPGRADE YOUR COVERAGE AT SHOPJOE.COM/REGISTER FOR UP TO 3, 4, OR 5 YEARS OF TOTAL TOOL COVERAGE

When we say we stand behind our product, we mean it! Now you can blow, mow, cut, saw or tend to any other yard task with confidence, knowing that if there is a problem with your tool within the warranty period, we will gladly solve it.

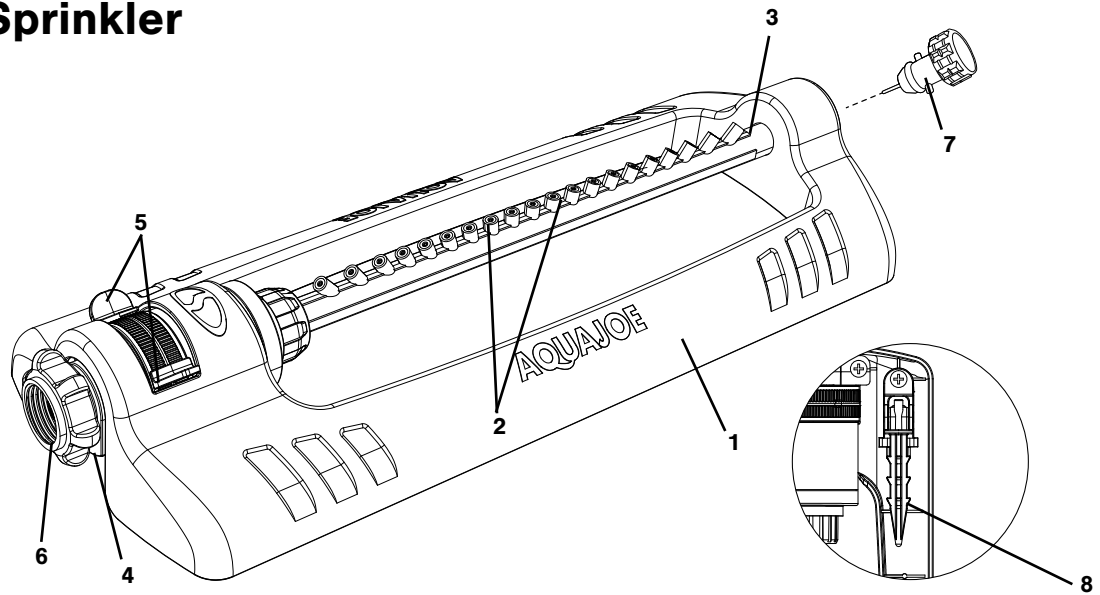
Original instructions.
© 2026 All Season Power LLC.
Snow Joe®, Sun Joe®, Aqua Joe®, Auto Joe®, and Power Joe® are registered trademarks used under license from Weather Brands LLC.
New Castle, DE 19720

SAVE THESE INSTRUCTIONS



Know Your Sprinkler

1. Base
2. Spray nozzles
3. Oscillator tube
4. Hose-end
5. Sliding tabs
6. Inlet filter
7. Cleaning pin
8. Metal spike



Technical Data

Plastic Nozzle Heads	20	Spray Width Max	56.7 ft (17.3 m)
Fit Standard Garden Hose.....	Yes	Max Pressure*	120 PSI
Adjustable Range Control.....	Yes	Max Flow	8 GPM
Coverage Max	4000 sq ft (373 m ²)	Motor	Turbo Drive
Spray Distance Max.....	67.5 ft (20.6 m)	Product Dimensions.....	17.7 in. x 6.7 in. x 3 in. (45 cm x 17 cm x 7.5 cm)
		Net Weight.....	1.01 lbs (0.46 kg)

* Peak pressure at initial discharge; working pressure under typical load is 60 PSI.

Intended Use

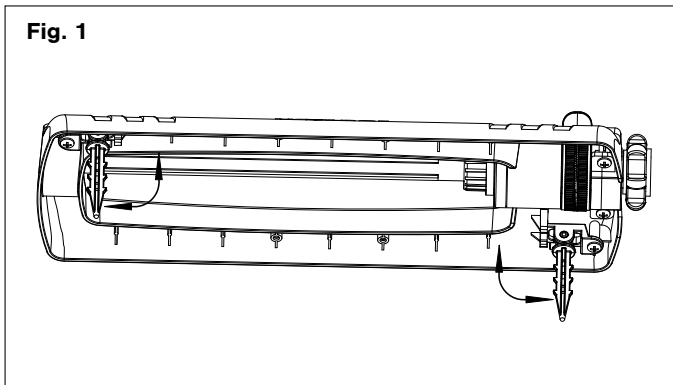
1. The sprinkler is suitable for use in soft soil conditions
2. If used in hard soil, loosen soil before inserting

Operation

Setting Up the Sprinkler

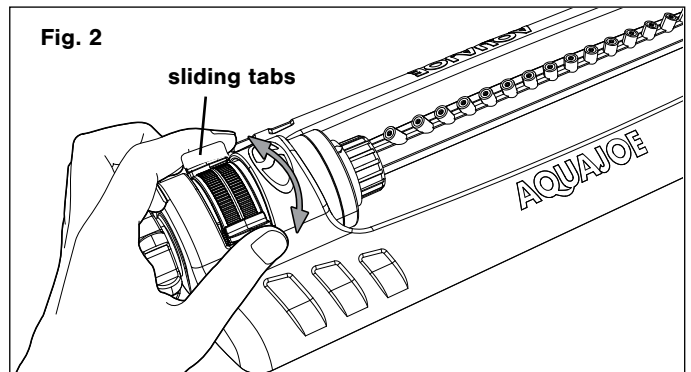
1. To install, unfold the metal ground spikes on the underside of the sprinkler and press them firmly into the soil until the sprinkler is stable and level, then connect the hose and adjust the spray settings as needed (Fig. 1).

Fig. 1



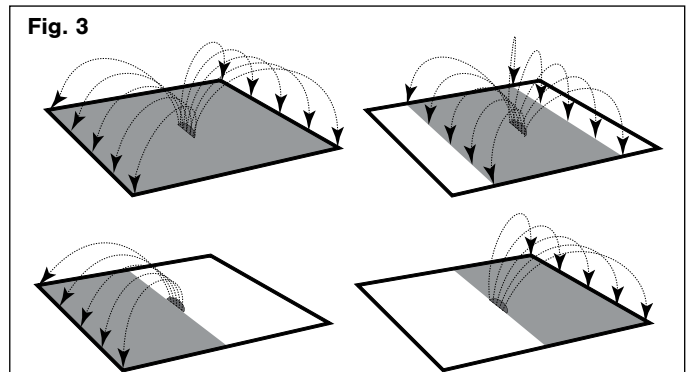
2. Use sliding tabs to select desired position and take advantage of the sprinkler's adjustable range control (Fig. 2).

Fig. 2



3. Refer to (Fig. 3) to see the different sprinkler options.

Fig. 3



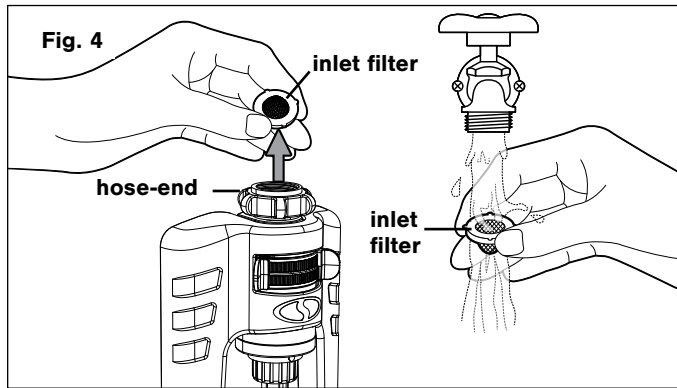
Watering Tips

Water only when necessary, preferably in the morning to minimize water loss through evaporation. To promote deep root growth, water deeply but as infrequently as possible. Watch water application to avoid water run-off.

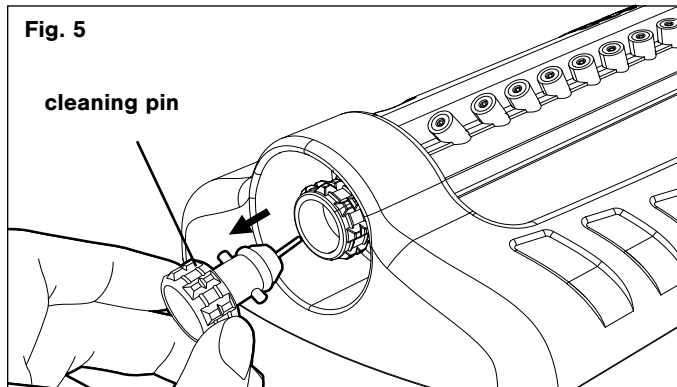
Maintenance + Care

Follow the steps below if the sprinkler stops working or exhibits poor water flow/performance due to debris or dirt build-up.

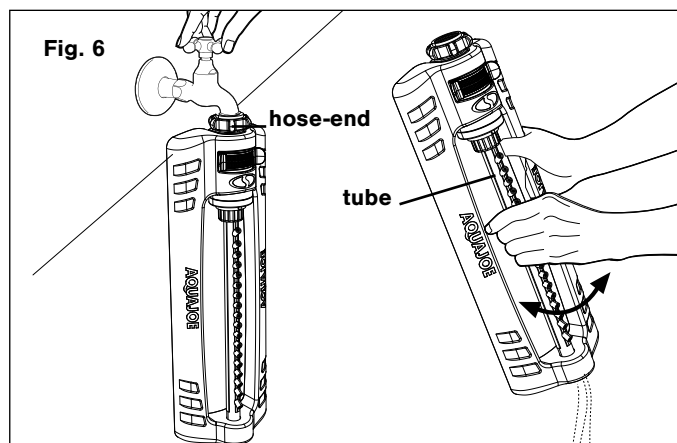
1. Remove the inlet filter from the hose-end of the oscillator and run under water (Fig. 4).



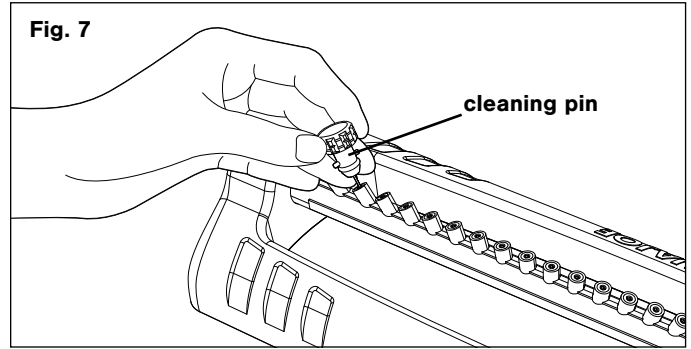
2. Remove the cleaning pin from the opposite end of the oscillator (Fig. 5).



3. To flush, connect the oscillator to a spigot. Turn on the faucet and while the water continues running, spin the tube gently back and forth for a few minutes. Then screw the inlet filter firmly back in place (Fig. 6)

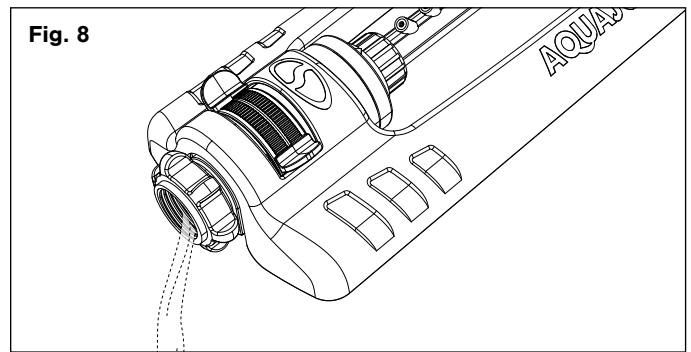


4. Use the provided cleaning pin to clear any clogs from the spray nozzles. Fit cleaning pin firmly back in place before using the sprinkler (Fig. 7).



Storage

Drain the sprinkler after use. DO NOT allow water to freeze in the sprinkler (Fig. 8).



Service + Support

If your Aqua Joe® SJI-OMS20-SPK oscillating sprinkler requires service or maintenance, please call All Season Power customer service at 1-866-225-9723 for assistance.

Model + Serial Numbers

When contacting the company or arranging service from an authorized dealer, you will need to provide the model and serial numbers, which can be found on the decal located on the sprinkler. Copy these numbers into the space provided below.

Record the following numbers from the housing or handle of your new product:

Model #:

S J I - O M S 2 0 - S P K

Serial #:

Troubleshooting

Problem	Possible Cause	Recommended Solution
No water flow / very low flow	Inlet filter clogged with debris	Remove inlet filter from hose-end and rinse under water, then reinstall
Poor spray performance / uneven spray	Dirt/debris build-up in oscillator tube	Flush the oscillator: connect to spigot, turn on faucet, and spin tube gently back and forth for a few minutes
Spray nozzles not spraying / clogged	Nozzles clogged	Use the provided cleaning pin to clear clogs from spray nozzles; reinstall cleaning pin firmly before use
Sprinkler stops working	Debris/dirt build-up	Follow Maintenance + Care steps (filter rinse, remove pin, flush tube, clear nozzles)
Water leaks / reduced performance	Inlet filter not seated properly after cleaning	Screw inlet filter firmly back in place after flushing
Sprinkler tips over / unstable	Spike not fully inserted or soil too hard	Press spikes firmly into soil until stable + level; if soil is hard, loosen soil before inserting
Reduced range / watering coverage	Sliding tabs not positioned correctly	Adjust sliding tabs to select desired watering range
Sprinkler damaged after winter storage	Water froze inside sprinkler	Drain after use and do not allow water to freeze inside



OUR CUSTOMER PROMISE + LIMITED WARRANTY

ABOVE ALL ELSE, All Season Power, LLC (“All Season Power”) is dedicated to you, our customer. We strive to make your experience as pleasant as possible. Unfortunately, there are times when a Snow Joe®, Sun Joe®, Aqua Joe® or Auto Joe® product (“Product”) does not work or breaks under normal operating conditions. We think it’s important that you know what you can expect from us. That’s why we have a Limited Warranty (“Warranty”) for our Products.

OUR WARRANTY:

All Season Power warrants new, genuine, powered and non-powered Products to be free from defects in material or workmanship when used for ordinary household use for a period of two years from the date of purchase or delivery by the original, end-user purchaser when purchased from All Season Power or from one of All Season Power’s authorized sellers with proof of purchase. Because All Season Power is unable to control the quality of its Products sold by unauthorized sellers, unless otherwise prohibited by law, this Warranty does not cover Products purchased from unauthorized sellers. If you have any questions about how to buy from an authorized seller, chat with us at shopjoe.com/support or call us at **1-866-225-9723**. If your Product does not work or there’s an issue with a specific part that is covered by the terms of this Warranty, All Season Power will elect to either (1) send you a free replacement part, (2) replace the Product with a new or comparable product (which may include a refurbished, like-new product) at no charge, or (3) repair the Product. How cool is that!

PRODUCT REGISTRATION:

All Season Power strongly encourages you to register your Product. You can register online at shopjoe.com/register, by chatting with us at shopjoe.com/support or calling our Customer Service Department at **1-866-225-9723**. Failure to register your Product will not diminish your warranty rights. However, registering your Product will allow All Season Power to better serve you with any of your customer service needs.

WHO CAN SEEK LIMITED WARRANTY COVERAGE:

This Warranty is extended by All Season Power to the original purchaser and original owner of the Product.

WHAT IS NOT COVERED?

This Warranty does not apply if the Product has been used commercially or for non-household or rental applications. This Warranty also does not apply if the Product was purchased from an unauthorized seller. This Warranty also does not cover cosmetic changes that do not affect performance. Wearing parts like belts, augers, chains and tines are not covered under this Warranty, and can be purchased at shopjoe.com or by calling 1-866-225-9723.



We encourage you to use **CERTIFIED AUTHENTIC** Snow Joe®, Sun Joe®, Aqua Joe® + Auto Joe® replacement parts + accessories. Damage caused by the use of any other parts + accessories on your Product will not be covered under the warranty. Genuine parts + accessories can be found and purchased here by entering the model number of your product.

When you register your powered or non-powered Product with All Season Power at shopjoe.com/register, you will receive an additional 90 days of warranty coverage. In addition, you will have the option of purchasing extended warranty coverage beyond the standard 2-year manufacturer’s warranty. Choose from one, two, or three years of extended coverage through Extend, Inc. Additional charges apply. When you Go With Joe®, you’re not just buying an extended warranty; you’re buying total peace of mind to know that you can rely on our top-notch tools, top-tier customer support, complete product coverage + no hassle return policy. Chat with us at shopjoe.com/support or call us at **1-866-225-9723** 7 days a week 10AM-6PM EST. We’ve got you covered!

There are no warranties which extend beyond those stated herein. **ANY IMPLIED WARRANTIES THAT MAY BE APPLICABLE TO PRODUCTS, INCLUDING IMPLIED WARRANTIES OF MERCHANTABILITY OR FITNESS FOR A PARTICULAR PURPOSE, ARE LIMITED IN DURATION TO THE DURATION OF THIS WARRANTY.** Some States do not allow limitations on how long an implied warranty lasts, so the above limitation may not apply to you.

UNDER NO CIRCUMSTANCES SHALL WE BE LIABLE FOR ANY SPECIAL, INCIDENTAL, OR CONSEQUENTIAL DAMAGES BASED UPON BREACH OF THIS LIMITED WARRANTY, BREACH OF CONTRACT OR STRICT LIABILITY. Some States do not allow the exclusion or limitation of incidental or consequential damages, so the above limitation or exclusion may not apply to you. This warranty gives you specific legal rights, and you may also have other rights which vary from State to State. This warranty supersedes those printed in product manuals.



shopjoe.com [®]