

Electric Oven with Hotplates

User's manual

EN



SENCOR®

SEO 2028BK

Prior to using this appliance, please read the user's manual thoroughly, even in cases where owners have previously familiarised themselves with using similar types of appliances. Use the appliance only as described in this manual. Keep this manual for future use.

Save the original shipping box, packaging material, purchase receipt and warranty card for the duration of the warranty. In the event of shipping, pack the appliance using the original packaging materials only.

EN-1

CONTENTS

IMPORTANT SAFETY INSTRUCTIONS	3
DESCRIPTION OF THE ELECTRIC OVEN	6
DESCRIPTION OF SUPPLIED ACCESSORIES.....	7
DESCRIPTION OF THE CONTROL PANEL	8
BEFORE FIRST USE	9
USING THE ELECTRIC OVEN AND HOTPLATES	9
CLEANING AND MAINTENANCE	11
TECHNICAL SPECIFICATIONS	11
INSTRUCTIONS AND INFORMATION REGARDING THE DISPOSAL OF USED PACKAGING MATERIALS...	12
DISPOSAL OF USED ELECTRICAL AND ELECTRONIC APPLIANCES	12

IMPORTANT SAFETY INSTRUCTIONS

- This appliance may be used by children 8 years of age and older and by persons with physical or mental impairments or by inexperienced persons if they are properly supervised or have been informed about how to use the product in a safe manner and understand its potential dangers. Do not allow children to play with the appliance. Children cannot perform cleaning and maintenance unless aged eight or over, while supervised by a person responsible for their safety.
- Keep this appliance and the power cord out of reach of children younger than 8 years of age.



Attention:

This appliance is not designed to be controlled using a programmed device, external timer switch or remote control.

**Attention: Hot surface**

If the appliance is switched on, the temperature of accessible surfaces may be higher. Do not touch the hot surface. This could cause skin burns. Use the handle to open and close the oven door. Use an oven mitt to handle heated pots and pans or accessories (baking pans, grill rack or rotisserie rod).

IMPORTANT SAFETY INSTRUCTIONS

READ CAREFULLY AND STORE THEM FOR FUTURE USE.

- Before connecting the appliance to a power socket check that the technical details on the appliance's rating label match the electrical voltage in the socket.
- Connect the appliance only to a grounded socket.
- The electrical circuit into which you connect the appliance must be equipped with an electrical circuit breaker sized to the load corresponding to this appliance's electricity consumption. Do not run any device simultaneously that could cause overload of the electrical circuit and trigger the circuit breaker.
- The appliance is designed exclusively for heating food at home. Do not use it for commercial, industrial or laboratory purposes.
- Do not use the appliance outdoors.
- Do not place the appliance on window sills or on unstable surfaces. The appliance must always be installed on a stable, even and dry surface.
- To avoid damaging the appliance, do not install it near an open flame or heat-producing appliances.
- Only use the appliance with original accessories from the manufacturer.
- Do not cover or otherwise block the ventilation holes on the appliance. Make sure no fluids leak into the appliance through them and that foreign objects do not fall in.
- When the appliance is operating there needs to be sufficient area for air circulation above the appliance and around it. Do not use the appliance near flammable materials such as curtains, kitchen towels, etc.
- Do not leave the appliance unattended while operating.

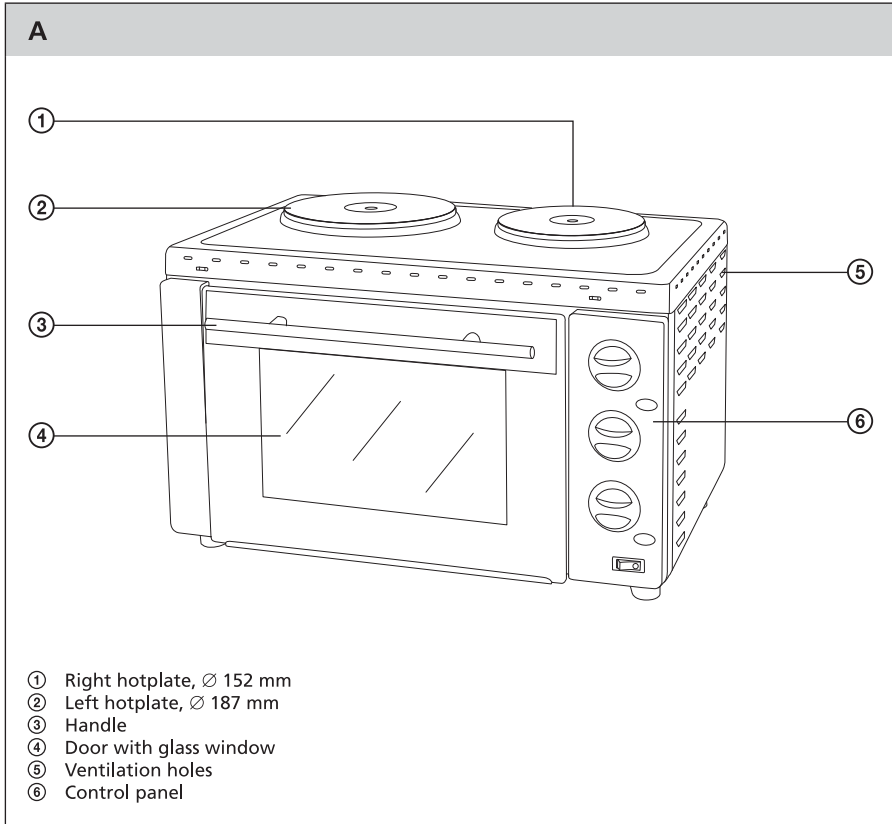


Attention:

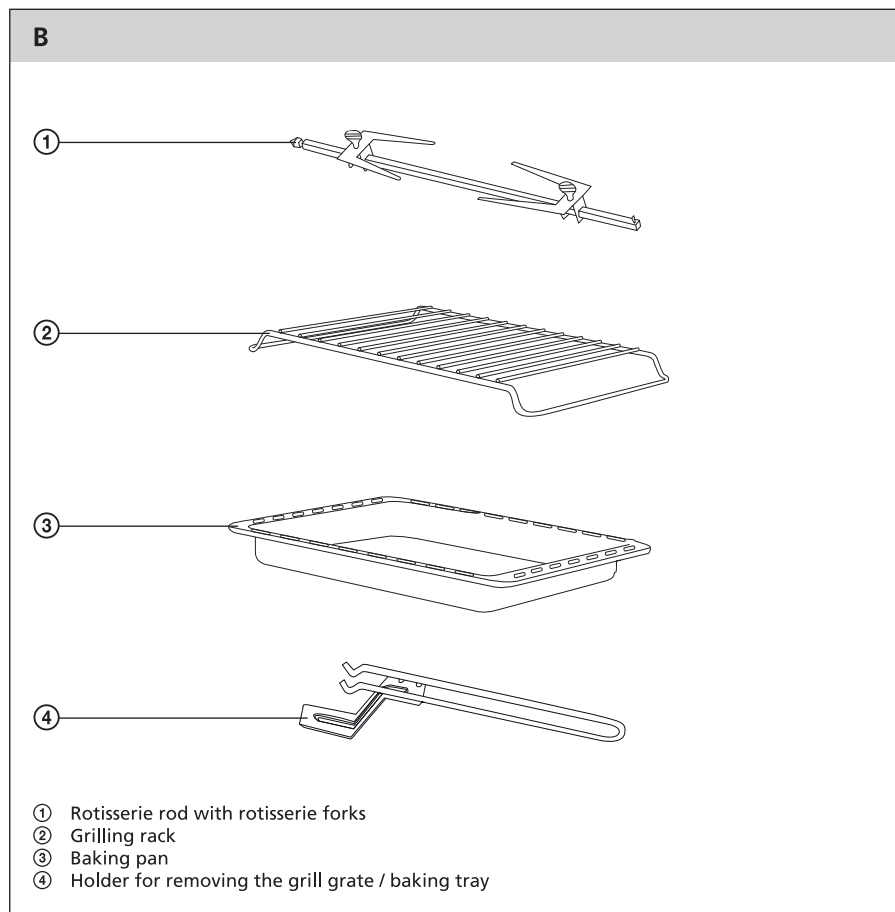
When opening the door, hot air escapes from inside the oven. Open the door slowly.

- When cooking in the oven or on the hotplates, do not use plastic or paper kitchenware.
- The interior of the oven and the hotplates are not to be used to store food or other objects.
- If you notice smoke, immediately turn off the appliance and remove the power cord from the socket. Leave the oven door closed to prevent potential fire from spreading.
- Do not submerge the appliance or its power cord in water or any other liquids.
- Regularly clean the appliance according to the instructions in the chapter Cleaning and maintenance. A dangerous situation could otherwise occur (igniting scraps of food, etc.).
- Allow the appliance to fully cool down before cleaning or moving it.
- Make sure the power cord does not hang over the edge so that it does not come in contact with a hot surface, water or moisture. Do not place heavy items on the power cord.
- Do not disconnect the appliance from the power socket by pulling on the power cord. This could damage the power cord or the socket. Disconnect the appliance from the socket by grasping and pulling out the plug.
- Do not use the appliance if it does not function properly or is damaged in any way. The repair of the appliance or replacement of a damaged power cord may only be performed by an authorised service centre as this will prevent a hazardous situation from arising.

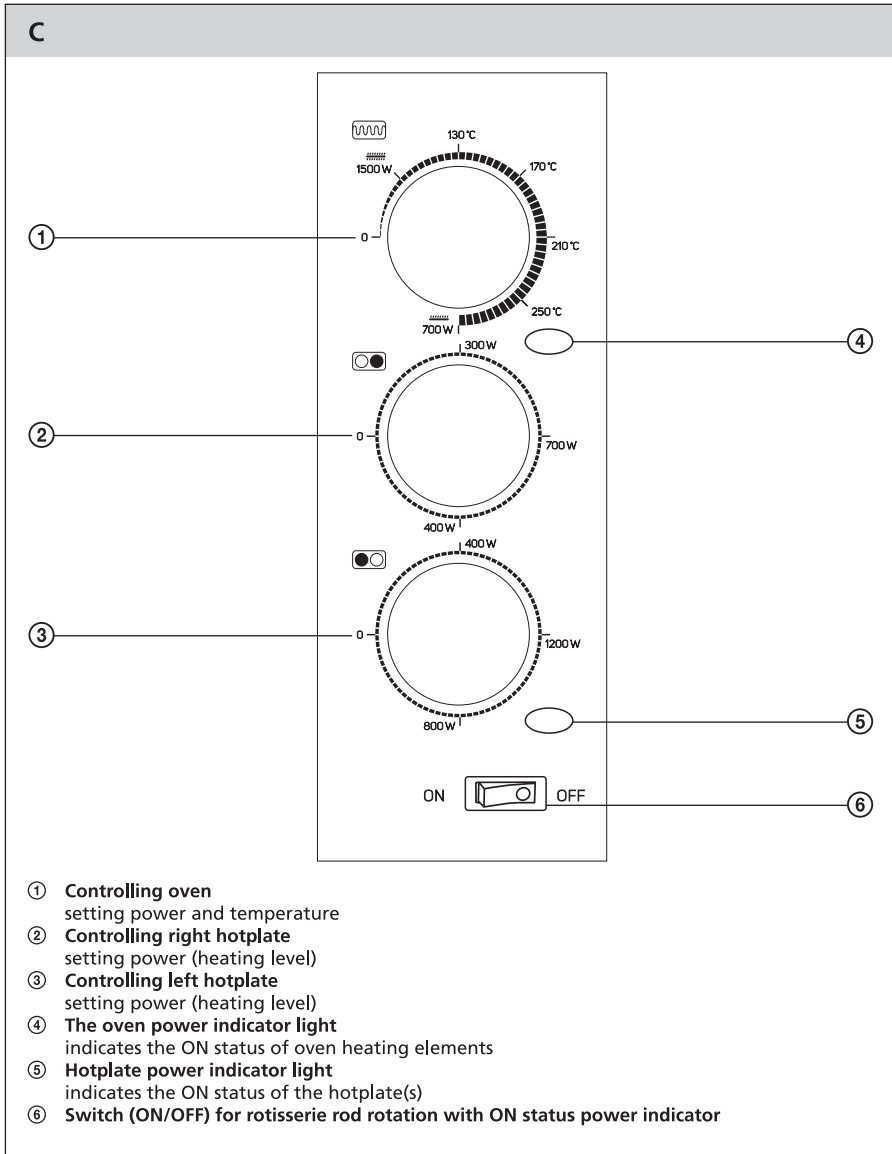
DESCRIPTION OF THE ELECTRIC OVEN



DESCRIPTION OF SUPPLIED ACCESSORIES



DESCRIPTION OF THE CONTROL PANEL



BEFORE FIRST USE

1. Before first use take the oven and its accessories out of the packaging material.
2. Wash the accessories (oven pan, grilling rack and rotisserie rod) in hot water with dish soap. Then thoroughly rinse under flowing water and dry them.
3. To remove any possible odours from manufacturing, run the oven empty for 10 minutes with the temperature set at 250 °C. Prior to starting make sure that no packaging material has remained in the oven.



Note:

When first turned on, light smoke may be emitted. This is a completely normal occurrence.

USING THE ELECTRIC OVEN AND HOTPLATES

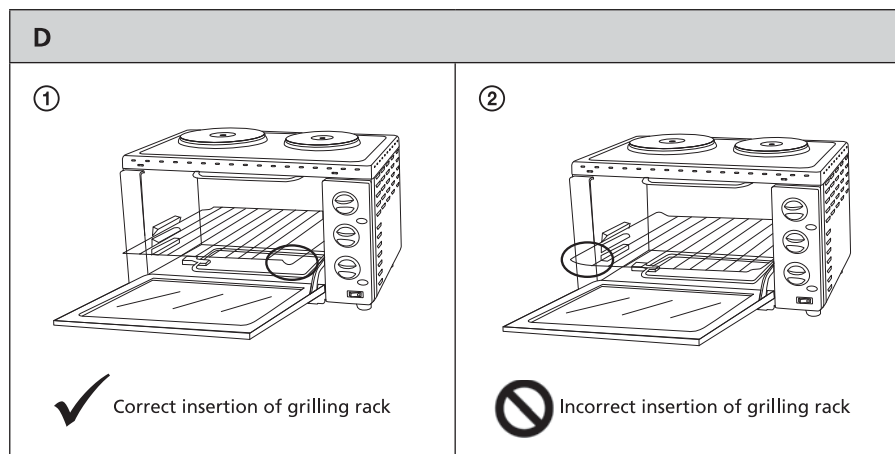
- Connect the power cord to an electrical power socket.

1. OPERATING THE ELECTRIC OVEN

A. Turning on the upper and lower heating element and setting the temperature

To turn on the upper and lower heating elements, turn the knob C① to the position 1500 W and then select the required temperature in a range of 130–250 °C. This setting is appropriate for baking or heating foods.

Let the oven preheat for 5 minutes. Place food that you want to bake or heat on the oven pan B③, grilling rack B② or in an adequate baking dish placed upon the grilling rack B②. Open the oven door A④. Place the oven pan B③ or rack B② into the horizontal rack holders anchored horizontally on the side walls inside the oven, and slide it into towards the back wall of the oven.



If you want to bake food directly on the grilling rack B②, place the oven pan B③ underneath it with water so the food's juices could drip into it.

Close the oven door A④ and while cooking, regularly check the status of the food.

**Tip:**

Lightly brush the grilling rack B② with oil to keep food from sticking to it. You can avoid letting food stick to the oven pan B③ by inserting baking paper underneath the food.

You can use the holder B④ to remove a hot grill grate B② or baking tray B③ out of the oven. Before removing the grate B② or baking tray B③ out of the oven, remove from them any food or cookware in which you cooked food.

Place the hot grate B② or baking tray B③ on to a fireproof mat.

**Note:**

The heating elements switch on and off to maintain the set temperature inside the oven.

B. Turning on the upper heating element and rotating the rotisserie rod

To turn on the upper heating element, turn the control knob C① to the position 700 W. If the knob C① is set in this position, the upper heating element will heat and it is not possible to regulate the temperature. This setting is appropriate for half-baked foods or grilling.

Let the oven preheat for 5 minutes and then place the food into the oven. If you want to use the accessories B② or B③, proceed according to instructions listed in point A of this chapter. If you want to use the rotisserie rod B① and use the rotisserie function, follow these instructions. Thread the meat onto the rotisserie rod B① and secure it on both sides with the rotisserie forks. Make sure that the switch C⑥ is set to the OFF position and open the oven door A④. Insert one side of the rotisserie rod B① into the holder on the right side inside the oven and place the other end in the opening on the left side. Make sure that the rotisserie rod B① is properly secured in place. Place the oven pan B③ with water into the lowest level so that meat drippings fall into it. Close the oven door A④ and to start rotation of the rotisserie rod B① turn the switch C⑥ to the ON position. While cooking, regularly check the status of the food.

**Attention:**

The maximum weight of food you can thread onto the rotisserie rod is 2 kg.

C. Turning off the oven

To turn off the oven, turn the control knob C① to position 0. If the rotation switch of the rotisserie rod C⑥ is set to the ON position, switch it to the OFF position.

2. OPERATING THE HOTPLATES**A. Setting hotplate heating level**

By using the control knob C② or C③ set the required heating level of hotplate A① or A②.

HOTPLATE	POWER OUTPUT SETTING
Right hotplate A①	300 W, 400 W or 700 W
Left hotplate A②	400 W, 800 W or 1200 W

Place a pot with food on the hotplate and check its status regularly while cooking.

B. Turning off hotplates

To turn off hotplate A① or A②, turn the control knob C② or C③ to position 0.



Note:

Both hotplates and the oven can be used simultaneously.

Do not leave hotplates on while not cooking. This could have an unfavourable effect on their service life.

- After use, disconnect the power cord from the electric power socket and let the oven cool.

CLEANING AND MAINTENANCE

- Before cleaning the appliance disconnect it from the electric power socket and allow it to cool down.
- Thoroughly wash used accessories in warm water with a neutral detergent. Then thoroughly rinse under flowing water and completely dry them.
- To remove possible particles or food scraps from inside the oven, use a kitchen towel dampened with pure water or in a warm water solution with neutral kitchen detergent. Wipe parts that are cleaned with the kitchen detergent with a towel dampened with pure water. Then completely dry all parts.
- If the oven shell or control panel get dirty, clean using a slightly moistened towel and then dry.
- Make sure when cleaning that no water leaks into the oven ventilation holes.
- To clean any part of this electric oven do not use steel wool, abrasive cleaning products or solvents.

TECHNICAL SPECIFICATIONS

Nominal voltage range	230 V
Nominal frequency.....	50 Hz
Rated power input.....	3400 W
Volume.....	28 l

We reserve the right to change text and technical specifications.

INSTRUCTIONS AND INFORMATION REGARDING THE DISPOSAL OF USED PACKAGING MATERIALS

Dispose of packaging material at a public waste disposal site.

DISPOSAL OF USED ELECTRICAL AND ELECTRONIC APPLIANCES



The meaning of the symbol on the product, its accessory or packaging indicates that this product shall not be treated as household waste. Please, dispose of this product at your applicable collection point for the recycling of electrical & electronic equipment waste. Alternatively in some states of the European Union or other European states you may return your products to your local retailer when buying an equivalent new product. The correct disposal of this product will help save valuable natural resources and help in preventing the potential negative impact on the environment and human health, which could be caused as a result of improper liquidation of waste. Please ask your local authorities or the nearest waste collection centre for further details. The improper disposal of this type of waste may fall subject to national regulations for fines.

For business entities in the European Union

If you wish to dispose of an electrical or electronic device, request the necessary information from your seller or supplier.

Disposal in other countries outside the European Union

If you wish to dispose of this product, request the necessary information about the correct disposal method from local government departments or from your seller.



This product meets all the basic EU regulation requirements that relate to it.