

3000154.1/3005129

Need further help? support@vonhaus.com

See Our full range at www.vonhaus.com

Besoin d'aide supplémentaire ?
support@vonhaus.com

Découvrez notre gamme complète sur
www.vonhaus.com

Benötigen Sie weitere Hilfe?
support@vonhaus.com

Entdecken Sie unser gesamtes Sortiment auf
www.vonhaus.com

Necesita más ayuda?
support@vonhaus.com

Descubra toda nuestra gama en www.vonhaus.com

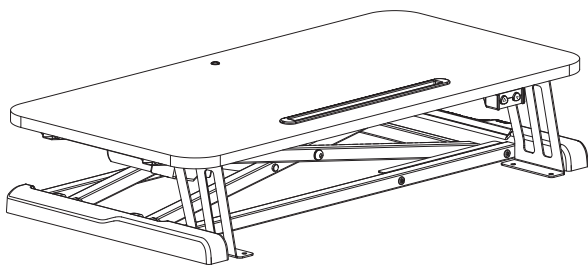
Hai bisogno di ulteriore assistenza?
support@vonhaus.com

Scopri tutta la nostra gamma su www.vonhaus.com

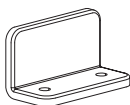
vonhaus

DOMU BRANDS

Components/Fr: composants/ De:Komponenten/Es: componentes/It: componenti



A (x1)



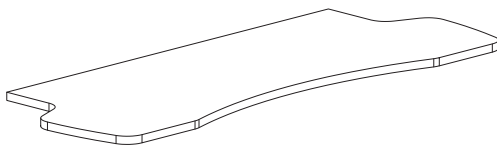
C (x1)



D (x3)



E (x2)



B (x1)



F (x4)



G (x2)
ST4,2x12



H (x4)
M5x8

This electric height adjustable standing desk consists of a heavy-duty steel desk frame, a desktop and a motorized height adjustment system. Please read and completely understand this manual before installation in order to make sure the safe and correct use of the system and maintain the longevity of the overall construction and the built-in electronics.

Instructions of Safety and Warnings:

- Any failure to comply with the safety and installation instructions in this manual may cause serious bodily injury.
- Overlooking any part of the instructions, warnings and additional information marked with the "Note" and "⚠" may result in serious damage to the system or its components.
- Children should never be allowed to operate or touch the product without direct supervision of an adult. Users should prevent children from being near or around the desk during operation.
- Disabilities and/or lack of experience and knowledge should be prevented from using the product unless under supervision or assisted during use and operation.
- Never sit on or exceed the rated weight of the desk.

1 What are the specifications you need to know?



Worksurface
Weight Capacity
20kg (44lbs)



Keyboard
Weight Capacity
2kg (4.4lbs)



Power Input
220-240v

2 What are the tools you require while installation?

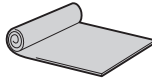


Scissor



Phillips
Screwdriver

3 What's the thing you'd better have before installation?



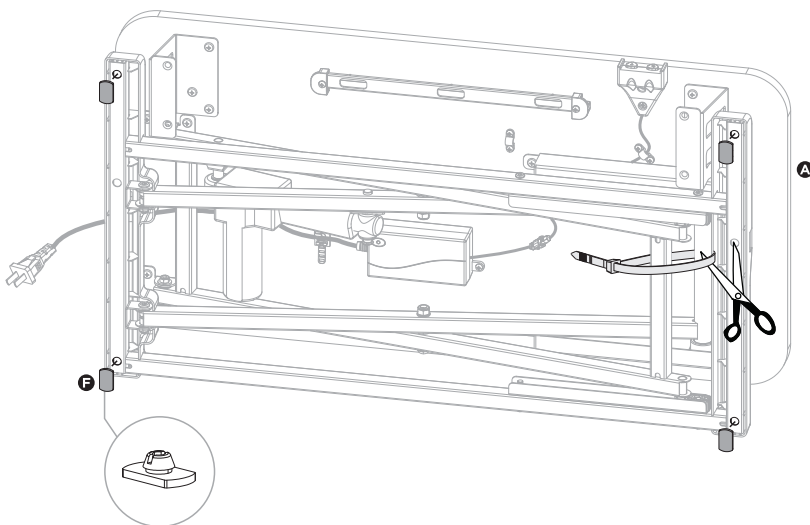
A Shipping Blanket to protect the desk and the floor.

4 Things you need to know before installation

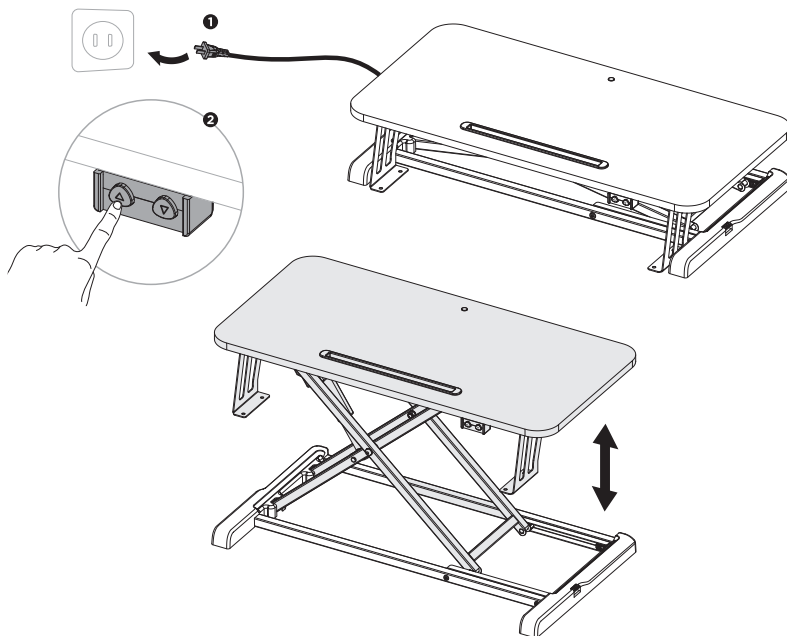
Ensure that you have received all parts according to the component checklist prior to installation. If any of the components are missing or damaged, contact your local seller for a replacement.

Assembly/Fr: assemblée/ De:Versammlung/Es: asamblea/It: assemblea

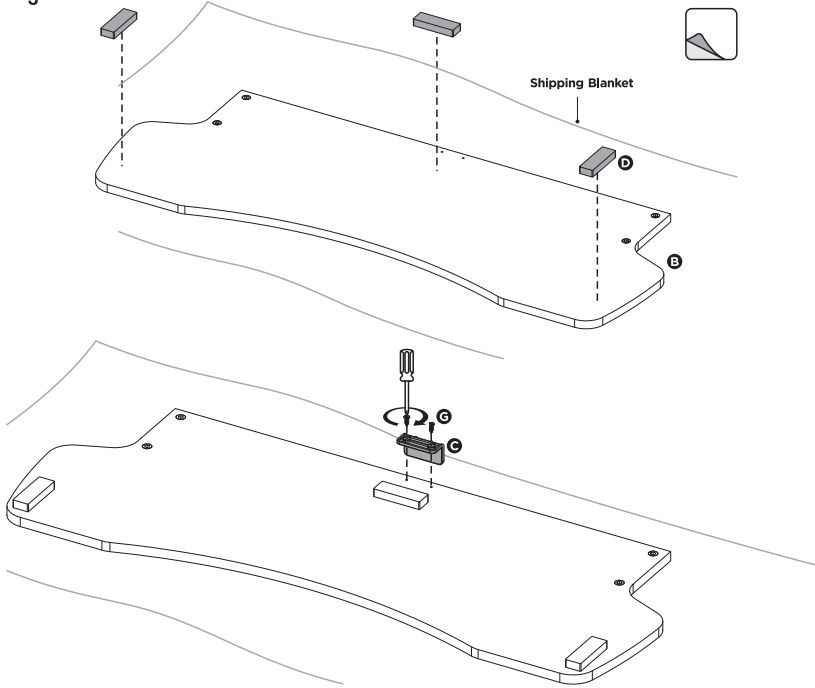
1



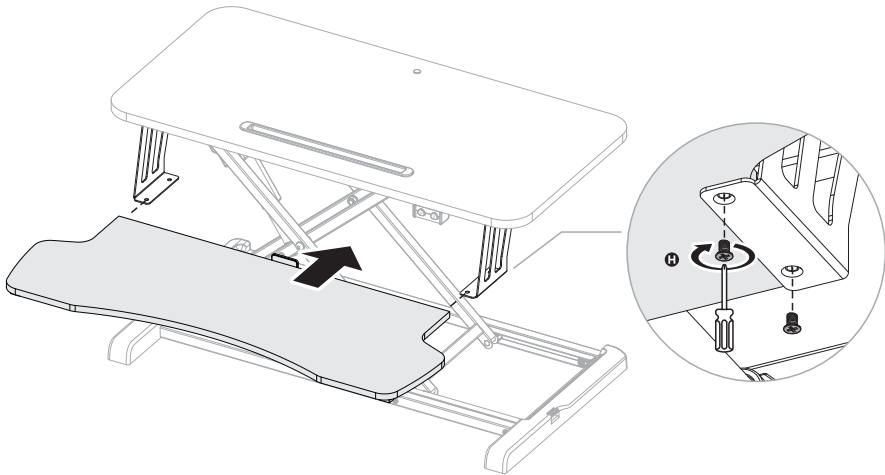
2



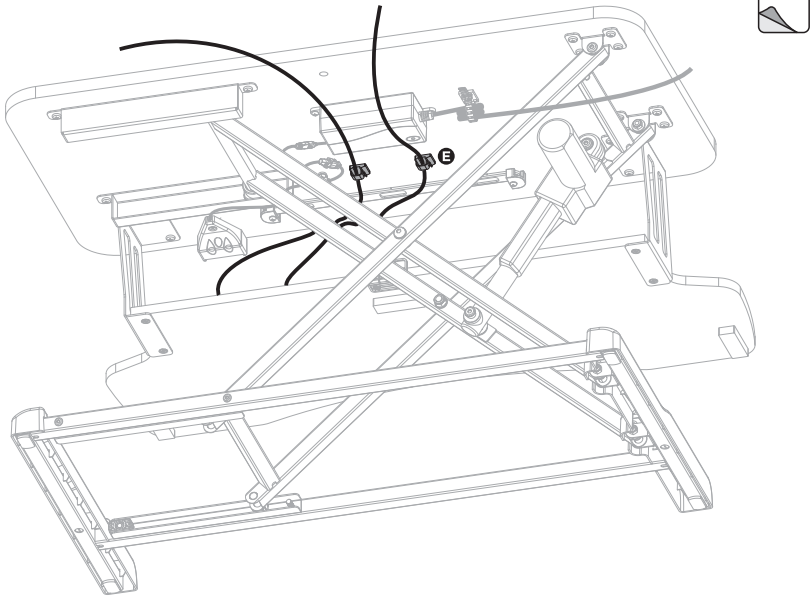
3



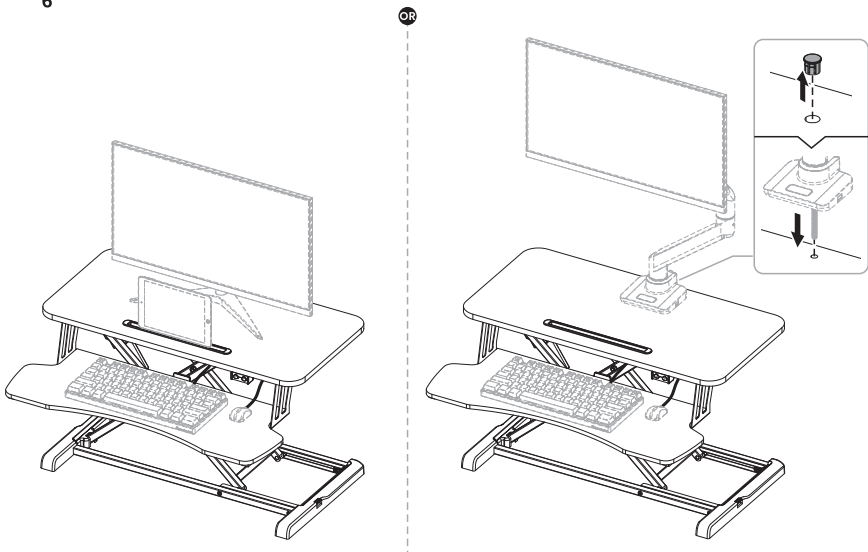
4



5



6



Maintenance

- 1 Regularly clean the surface with a soft, damp cloth to prevent dust buildup.
- 2 Check and tighten all screws and bolts periodically to ensure stability.
- 3 Inspect the power cables and connections for any signs of wear or damage.
- 4 Lubricate the moving parts as recommended by the manufacturer to ensure smooth operation.
- 5 Avoid placing heavy objects on the workstation to prevent damage to the motor and frame.

Health & Safety

- 1 Do not operate the product while wet or in a damp environment.
- 2 Disconnect the power before servicing the product.
- 3 Use only the provided power supply and keep the cord away from heat and sharp edges.
- 4 Do not modify or repair the product yourself.
- 5 Organize cords to prevent tripping, do not exceed load capacity, ensure stability, adjust height slowly, and dispose of responsibly.

Legal



DISPOSAL INFORMATION Please recycle where facilities exist. Check with your local authority for recycling advice.

CUSTOMER SERVICE If you are having difficulty using this product and require support, please contact support@vonhaus.com

WARRANTY To register your product and find out if you qualify for a free extended warranty please go to www.vonhaus.com/warranty. Please retain a proof of purchase receipt or statement as proof of the purchase date. The warranty only applies if the product is used solely in the manner indicated in the warnings page of this manual, and all other instructions have been followed accurately. Any abuse of the product or the manner in which it is used will invalidate the warranty.

RETURNS Returned goods will not be accepted unless re-packaged in its original packaging and accompanied by a relevant and completed returns form. This does not affect your statutory rights. No rights are given under this warranty to a person acquiring the appliance second-hand or for commercial or communal use.

COPYRIGHT All material in this instruction manual are copyrighted by DOMU Brands. Any unauthorised use may violate worldwide copyright, trademark, and other laws.

Trouble Shooting

- 1 Why is my workstation not moving up or down? Ensure the power cord is securely plugged in and the power outlet is functioning. Check for any obstructions under the desk.
- 2 The workstation is making a noise while moving. What should I do? Check if the desk is overloaded. Remove some items and try again. Ensure the desk is on a level surface.
- 3 The desk moves unevenly. What should I check? Ensure all screws and bolts are tightened. Check if the legs are properly aligned.
- 4 The workstation stops suddenly while moving. What could be the issue? This could be due to overheating. Allow the workstation to cool down for a few minutes before trying again.

THANK YOU

Thank you for purchasing your product/appliance.
Should you require further assistance with your purchase,
you can contact us at
support@vonhaus.com

VonHaus is a registered trademark of DOMU Brands Ltd.

Made in China for DOMU Brands. Unit 30, Stakehill
Industrial Estate, Middleton, Manchester M24 2RW.

Authorised Representative:
Authorised Representative service
77 Camden Street Lower
Dublin, D02 XE80, Ireland

