

**Need Help ?**  
Scan the QR code for more help.



or Email:  
[support@rainpointonline.com](mailto:support@rainpointonline.com)



**RainPoint®**  
More Than Water Saving

# USER MANUAL

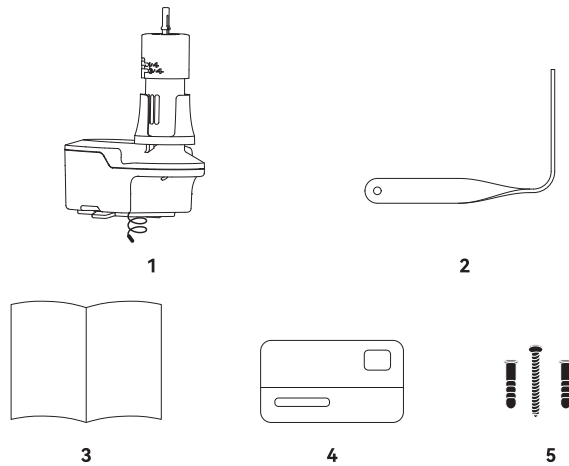
## Wireless Rain Sensor

Model No. HCS044FRF



Welcome to the **RAINPOINT** family! Please read the manual before using to learn about the features and functions.

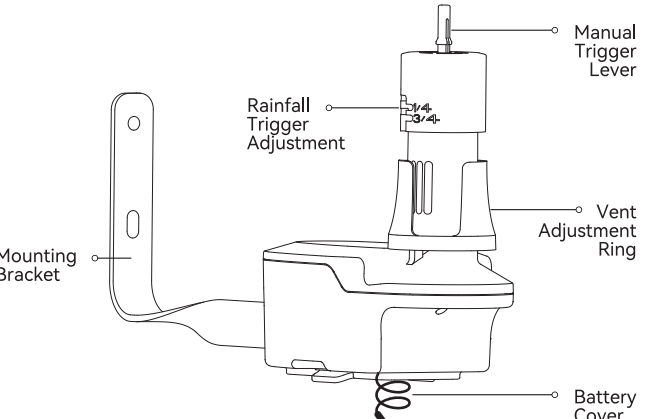
### 1. Contents in the box



- 1 X HCS044FRF Wireless Rain Sensor
- 1 X User Manual
- 1 X Warranty Card
- 1 X Mounting Bracket
- 2 X Screws and Expansion Bolts

### 2. Introduction

#### 2.1 Product Overview



#### 2.2 Product Features

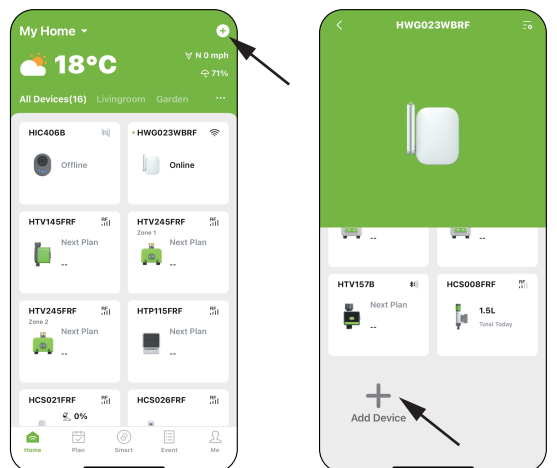
- Automatically stops watering when rain is detected.
- Automatically resets as the internal absorbent sheet dry after the rain.
- Adjustable Rainfall Sensitivity:** 1/8" (3 mm), 1/4" (6 mm), 1/2" (13 mm), and 3/4" (19 mm).
- The vent adjustment ring lets you control the drying speed and modify recovery time.
- Wireless design prevents watering interruptions caused by damaged cables.

### 3. Connection And Installation


#### 3.1 Pair sensor with hub

In order to remote control, this device needs to be paired with the hub. Please refer to hub user manual to download app and connect the hub with WIFI network first.

- After the hub is successfully connected with WIFI, select hub device on app home page, select "Add Device" on hub home page.

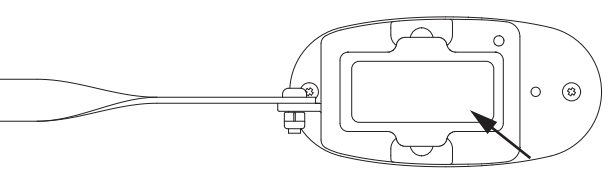


- Enter the "Add Device" page, click on "HCS044FRF", or click on the upper right corner, scan the QR code in bottom of the manual or on the device to connect to network.



0230044302

- Insert the batteries, and then the indicator will quickly blink in red.

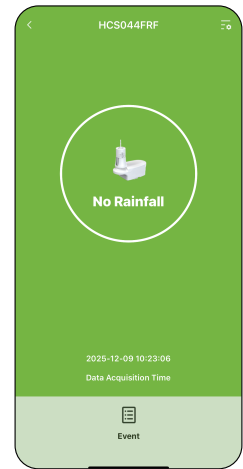


- Select "Next" and start searching devices. Keep the sensor and the hub close to each other to connect automatically. (Besides that, you can also press the manual trigger lever on the sensor 5 times in quick succession to reconnect if you fail to connect for the first time.)



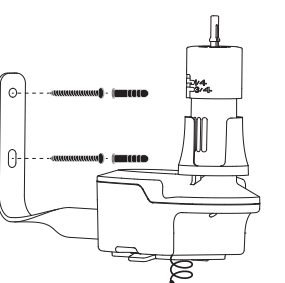
short-press the button 5 times

- After successfully connecting, the rain status will be shown on the middle of screen.



#### 3.2 Rain Sensor Installation

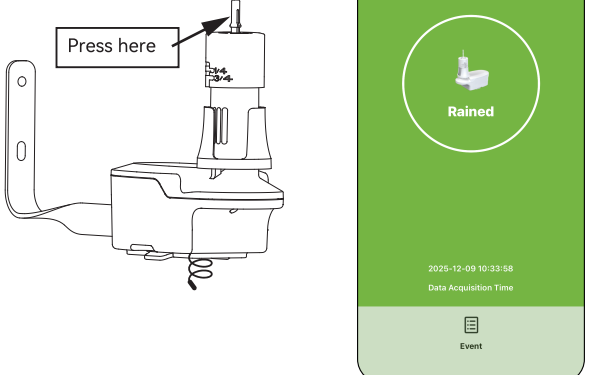
- Install as close to the hub as possible.
- Install as high as possible for direct rainfall exposure.
- Avoid sprinkler spray range.
- Keep the sensor upright; adjust angle by loosening and tightening the lock nut.



**Tip:** Installing the rain sensor on the southeast side of a building, where it receives full sunlight, may cause the sensor to dry out faster than expected. Likewise, mounting it on the north side with constant shade may prevent the sensor from drying in a timely manner. Through testing and adjustment using the "Vent Adjustment Ring", better performance would be obtained.

#### 3.3 Connection Verification

- Press the "Manual Trigger Lever" until you hear "click", indicating the operation after rainfall has closed.
- After a few seconds, the sensor status in the APP will change to "Rained".
- If the status updates to "Rained", the connection has been established successfully. There is no need to wet the sensor for the test, as shown in the illustration below.



#### 3.4 Adjustment & Operation

The rain sensor prevents the irrigation system from starting or continuing operation after rainfall. The time required to return to normal watering after the rain stops depends on current weather conditions (such as wind, sunlight, humidity, etc.), which affect how quickly the internal hygroscopic discs dry. Since the lawn is exposed to the same conditions, its drying rate generally corresponds to that of the discs. Therefore, when the lawn once again requires moisture, the sensor will have reset and will allow the sprinkler system to operate during the next scheduled watering cycle.

The rain sensor includes an adjustable feature to slow the reset time. By closing the "vent", meaning fully or partially covering the ventilation openings, the drying rate of the hygroscopic discs can be reduced. This adjustment can compensate for installations in areas with excessive sunlight or in special soil conditions. The ideal vent opening should be determined based on actual experience.

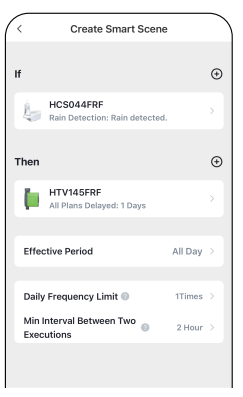
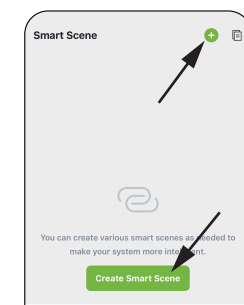
Typically, the sprinkler system will shut off within the first 5 minutes after rain begins. For light rain or rainfall of less than 1/8 inch (about 3 mm), the system may remain paused for about 30 minutes to 4 hours depending on weather conditions. Adjusting the vent cap does not affect the drying time.

When rainfall exceeds 1/8 inch (about 3 mm), the system will remain off for an appropriate period. The adjustment of the vent cap mainly controls the drying time of the disc stack.

#### 3.5 Smart Scene

Set up customized Smart Scenes according to your preferences and needs to build RainPoint's device IoT system. In this way, your device will automatically adjust watering plans based on the sensor status. Follow the steps to complete Smart Scene settings.

- Tap "Create Smart Scene" or the plus icon to create a new smart scene.

- You could customize triggers and actions as needed. For example: When HCS044FRF detects rain, all plans on HTV145FRF will be delayed for one day.

**Tip:**

- If you want to skip the rain sensor control, you can turn off or delete the smart scene.
- Using "Manual" button of the timer will not skip the sensor.

### 4. Troubleshooting

Problem	Possible Factors	Solution may help
System does not start	<ul style="list-style-type: none"> <li>Sensor not dry.</li> <li>Switch failure.</li> </ul>	Check if sensor discs are dry and the switch clicks freely.
System does not stop even after heavy rain	<ul style="list-style-type: none"> <li>The smart scene has been turned off.</li> <li>Rainfall trigger is set too low.</li> <li>Obstruction above sensor.</li> </ul>	<ul style="list-style-type: none"> <li>TURN ON the smart scene.</li> <li>Adjust the rain sensor sensitivity by moving the cap to a more sensitive position. The rain sensor is an accurate rain gauge and can be checked using a nearby tube-style rain gauge for comparison.</li> <li>Check for any objects that may block rainfall, such as overhangs, trees, or walls.</li> </ul>

### 5. FCC Statement

This device complies with Part 15 of the FCC Rules. Operation is subject to the following two conditions:

- This device may not cause harmful interference.
- This device must accept any interference received, including interference that may cause undesired operation.

**FCC Warning:** Any changes or modifications not expressly approved by the party responsible for compliance could void the user's authority to operate this equipment.

**Note:** This equipment has been tested and found to comply with the limits for a Class B digital device, pursuant to Part 15 of the FCC Rules. These limits are designed to provide reasonable protection against harmful interference in a residential installation. This equipment generates, uses, and can radiate radio frequency energy, if not installed and used in accordance with the instructions, may cause harmful interference to radio communications. However, there is no guarantee that interference will not occur in a particular installation. If this equipment does cause harmful interference to radio or television reception, which can be determined by turning the equipment off and on, the user is encouraged to try to correct the interference by one of the following measures:

- Reorient or relocate the receiving antenna.
- Increase the separation between the equipment and the receiver.
- Connect the equipment into an outlet on a circuit different from that to which the receiver is connected.
- Consult the dealer or an experienced radio/TV technician for help.


**Note:** The device has been evaluated to meet general RF exposure requirement. The device can be used in portable exposure condition without restriction.

### 6. Precautions

No maintenance is required. The rain sensor does not need removal or covering in winter.


### 7. Warranty Policy

RainPoint provides a 1-year limited warranty on this product against manufacturing defects in materials and workmanship.



### 8. Customer Support

If you find it difficult to set up and want to watch the setting tutorial video, please subscribe to our channel RainPoint on YouTube.



Or scan the QR code to visit the RainPoint channel on YouTube quickly.

If the app and the user manual don't have what you're looking for, and need some help about Rainpoint, please contact us by **LOT NO.:** XXXXXX (on the device)