

KitchenAid®

12

CUPS
TASSES
TAZAS

96_{oz}

2.8_L

FOOD PROCESSOR

INSTRUCTIONS

ROBOT CULINAIRE

INSTRUCTIONS

PROCESADOR DE ALIMENTOS

INSTRUCCIONES



KFPW760, KFPW763,
KFPM770 & KFPM773



FOR THE WAY IT'S MADE.®

USA: 1-800-541-6390
Canada: 1-800-807-6777

KitchenAid.com
KitchenAid.ca

Proof of Purchase & Product Registration

Always keep a copy of the sales receipt showing the date of purchase of your Food Processor. Proof of purchase will assure you of in-warranty service.

Before you use your Food Processor, please fill out and mail your product registration card packed with the unit. This card will

enable us to contact you in the unlikely event of a product safety notification and assist us in complying with the provisions of the Consumer Product Safety Act. This card does not verify your warranty.

Please complete the following for your personal records:

Model Number _____

Serial Number _____

Date Purchased _____

Store Name and Location _____

Preuve d'achat et enregistrement du produit

Veillez conserver une copie du coupon de caisse indiquant la date d'achat de votre Robot culinaire. La preuve d'achat vous assure du service après-vente sous garantie.

Avant d'utiliser le Robot culinaire, veuillez remplir et poster la carte d'enregistrement du produit accompagnant l'appareil. Grâce à cette carte, nous pourrions vous

appeler dans l'éventualité improbable d'un avis de sécurité et nous pouvons aussi nous conformer plus facilement aux dispositions de la loi sur la sécurité des produits de consommation. Cette carte ne confirme pas la garantie.

Veillez remplir ce qui suit pour votre dossier personnel.

Numéro de modèle _____

Numéro d'identification _____

Date d'achat _____

Nom du magasin et emplacement _____

Comprobante de compra y registro del producto

Siempre conserve una copia del recibo de ventas que especifique la fecha de compra de su Procesador de alimentos. El comprobante de compra le asegurará el servicio técnico bajo garantía.

Antes de utilizar el Procesador de alimentos, complete y envíe por correo su tarjeta de registro del producto que viene junto con la unidad. Esta tarjeta nos permitirá

contactarnos con usted en el improbable caso de notificación de algún problema de seguridad con el producto y nos ayudará a cumplir con las cláusulas de la Consumer Product Safety Act (Ley sobre la seguridad de los productos para el consumidor). Esta tarjeta no asegura su garantía.

Complete lo siguiente para su registro personal:

Número del modelo _____

Número de serie _____

Fecha de compra _____

Nombre de la tienda y dirección _____

Table of Contents

INTRODUCTION

Proof of Purchase & Product Registration.....	Inside Front Cover
Food Processor Safety	3
Important Safeguards	4
Electrical Requirements	5

FEATURES AND OPERATION

Food Processor Features.....	6
Preparing the Food Processor for Use	
Before First Use	8
Work Bowl Assembly.....	8
Multipurpose Blade and Dough Blade Assembly.....	9
Slicing, Shredding, and Cutting Disc Assembly.....	9
Mini Bowl Assembly.....	10
Chef's Bowl Assembly.....	10
Egg Whip Assembly and Use.....	11
Citrus Press Assembly and Use.....	11
Using the Food Processor	
Before Use.....	13
Food Pusher Interlock	13
Maximum Liquid Level.....	13
Turning the Food Processor On and Off.....	13
Using the Pulse Control	14
The Food Pusher, 2-Piece and 3-Piece	14
Disassembling the Food Processor	15

CARE AND CLEANING

Cleaning the Food Processor	16
Troubleshooting.....	17

Continued on next page

Table of Contents

FOOD PROCESSING TIPS

Using the Multipurpose Blade.....	18
Using a Slicing, Shredding, or Cutting Disc.....	19
Using the Dough Blade.....	20
Using the Egg Whip.....	20
Helpful Hints.....	21

WARRANTY AND SERVICE INFORMATION

KitchenAid® Food Processor Warranty.....	23
Hassle-Free Replacement Warranty – 50 United States and District of Columbia.....	24
Hassle-Free Replacement Warranty – Canada.....	24
How to Arrange for Warranty Service in Puerto Rico.....	25
How to Arrange for Service after the Warranty Expires – All Locations.....	25
How to Arrange for Service Outside these Locations.....	25
How to Order Accessories and Replacement Parts.....	26

Food Processor Safety

Your safety and the safety of others are very important.

We have provided many important safety messages in this manual and on your appliance. Always read and obey all safety messages.



This is the safety alert symbol.

This symbol alerts you to potential hazards that can kill or hurt you and others.

All safety messages will follow the safety alert symbol and either the word “DANGER” or “WARNING.” These words mean:

 **DANGER**

You can be killed or seriously injured if you don't immediately follow instructions.

 **WARNING**

You can be killed or seriously injured if you don't follow instructions.

All safety messages will tell you what the potential hazard is, tell you how to reduce the chance of injury, and tell you what can happen if the instructions are not followed.

IMPORTANT SAFEGUARDS

When using electrical appliances, basic safety precautions should always be followed, including the following:

1. Read all instructions.
2. To protect against risk of electrical shock do not put Food Processor in water or other liquid.
3. Close supervision is necessary when any appliance is used by or near children.
4. Unplug from the outlet when not in use, before putting on or taking off parts, and before cleaning.
5. Avoid contacting moving parts.
6. Do not operate any appliance with a damaged cord or plug, or after the appliance malfunctions, or is dropped or damaged in any manner. Return appliance to the nearest Authorized Service Facility for examination, repair, or electrical or mechanical adjustment.
7. The use of attachments not recommended or sold by KitchenAid may cause fire, electric shock or injury.
8. Do not use outdoors.
9. Do not let cord hang over edge of table or counter.
10. Keep hands and utensils away from moving blades or discs while processing food to reduce the risk of severe injury to persons or damage to the Food Processor. A scraper may be used but must be used only when the Food Processor is not running.
11. Blades are sharp. Handle carefully.
12. To reduce the risk of injury, never place cutting blade or discs on base without first putting bowl properly in place.
13. Be certain cover is securely locked in place before operating appliance.
14. Never feed food by hand. Always use the food pusher.
15. Do not attempt to defeat the cover interlock mechanism.
16. This product is designed for household use only.

SAVE THESE INSTRUCTIONS

Electrical Requirements

⚠ WARNING



Electrical Shock Hazard

Plug into a grounded 3 prong outlet.

Do not remove ground prong.

Do not use an adapter.

Do not use an extension cord.

Failure to follow these instructions can result in death, fire, or electrical shock.

Models KFPM770 & KFPM773:

Volts: 120 V.A.C.

Hertz: 60 Hz

NOTE: Models KFPM770 & KFPM773 have a 3 prong grounded plug. To reduce the risk of electrical shock, this plug will fit in an outlet only one way. If the plug does not fit in the outlet, contact a qualified electrician. Do not modify the plug in any way.

Do not use an extension cord. If the power supply cord is too short, have a qualified electrician or serviceman install an outlet near the appliance.

⚠ WARNING



Fire Hazard

Do not use an extension cord.

Doing so can result in death or fire.

Models KFPW760 & KFPW763:

Volts: 120 V.A.C.

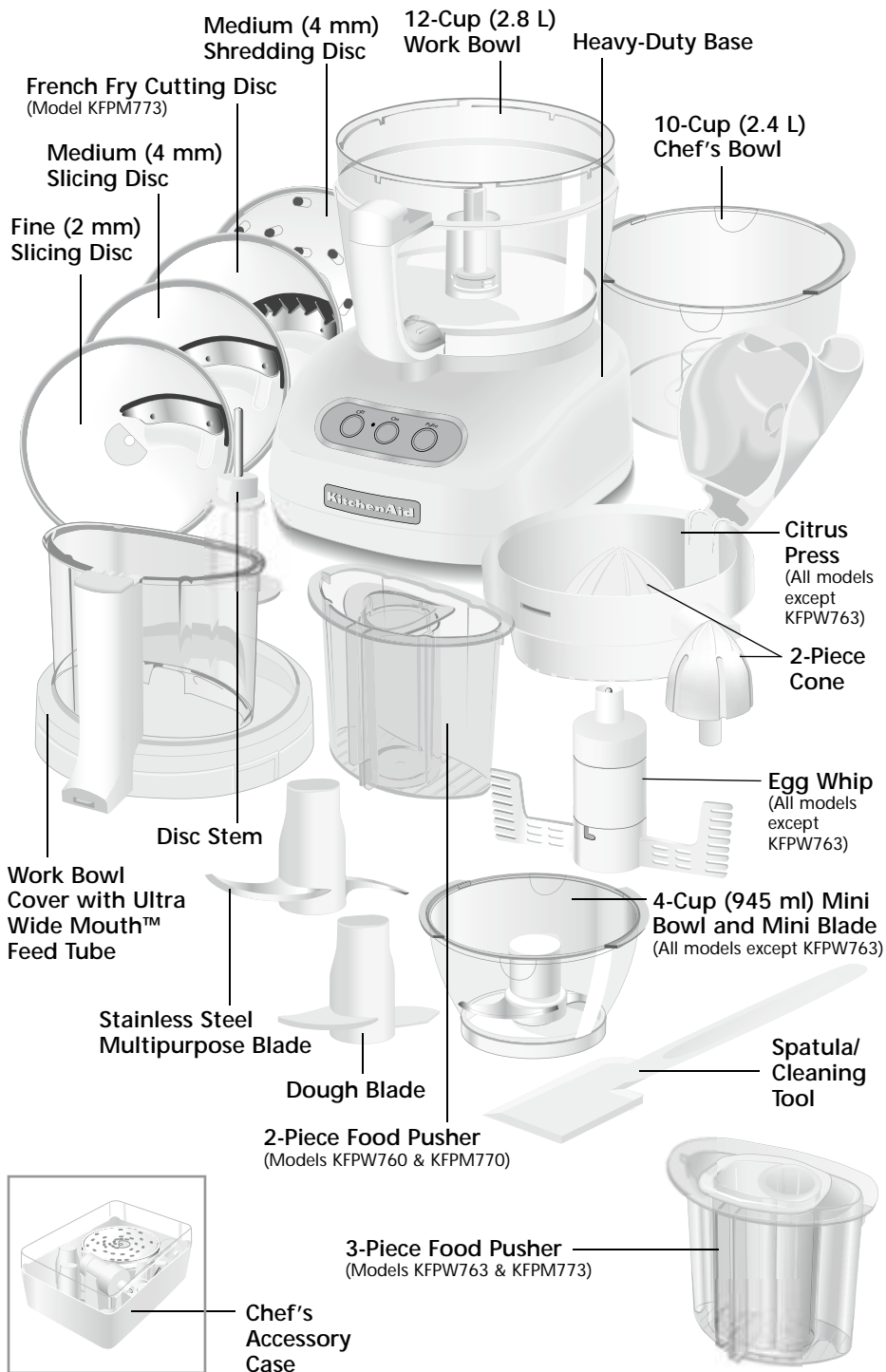
Hertz: 60 Hz

NOTE: Models KFPW760 & KFPW763 have a polarized plug (one blade is wider than the other). To reduce the risk of electrical shock, this plug will fit in a polarized outlet only one way. If the plug does not fit fully in the outlet, reverse the plug. If it still does not fit, contact a qualified electrician. Do not modify the plug in any way.

Do not use an extension cord. If the power supply cord is too short, have a qualified electrician or serviceman install an outlet near the appliance.

Food Processor Features

ENGLISH



Food Processor Features

Work Bowl Cover with Ultra Wide Mouth™ Feed Tube

One of the industry's largest, the Ultra Wide Mouth™ feed tube accommodates large items – like tomatoes, cucumbers, and potatoes – with a minimum of sectioning or slicing.

2-Piece Food Pusher (Models KFPW760 & KFPM770)

For smaller items, remove the narrow pusher from the central tube in the large pusher. The narrow pusher and feed tube make it easy to process herbs, nuts, single carrots and celery. The narrow pusher can also be used as a convenient 4-oz (120 ml) measuring cup.

3-Piece Food Pusher (Models KFPW763 & KFPM773)

Three pushers are nested inside of each other to offer increased variety of feed tube choices. Remove the medium pusher from the large pusher to reveal a medium-size feed tube for continuous processing. For continuous processing of smaller items (like herbs, nuts, single carrots and celery) remove the narrow pusher and use the narrow feed tube. The medium pusher, with narrow pusher removed, can be used as a convenient 4-oz (120 ml) measuring cup. A small hole in the bottom of the narrow pusher makes it easy to drizzle oil into ingredients – just fill with the desired amount of oil.

12-Cup (2.8 L) Work Bowl

The durable, large work bowl provides capacity for large jobs.

10-cup (2.4 L) Chef's Bowl

Place the chef's bowl inside the work bowl, and slice or shred a food item while keeping the work bowl clean for another ingredient.

4-cup (945 ml) Mini Bowl and Mini Blade (All models except KFPW763)

Mini bowl and stainless steel blade are perfect for small chopping and mixing jobs.

Fine (2 mm) Slicing Disc

Disc produces approximately $\frac{1}{16}$ -inch (2 mm) slices of most foods, from delicate strawberries to partially frozen meats.

Medium (4 mm) Slicing Disc

Disc produces approximately $\frac{1}{8}$ -inch (4 mm) slices of most foods.

Medium (4 mm) Shredding Disc

Disc produces approximately $\frac{1}{8}$ -inch (4 mm) shreds of most firm fruits, vegetables, and cheese.

French Fry Cutting Disc (Model KFPM773)

Disc produces approximately $\frac{1}{3}$ x $\frac{1}{4}$ -inch (8.5 mm x 6.5 mm) thick sticks of potatoes and other firm fruits and vegetables.

Disc Stem

Stem fits over the power shaft on the base and into the bottom of a slicing or shredding disc.

Stainless Steel Multipurpose Blade

Versatile blade chops, minces, blends, mixes, and emulsifies in a matter of seconds.

Dough Blade

The dough blade is specially designed for mixing and kneading yeast dough.

Egg Whip (All models except KFPW763)

The egg whip will quickly whip cream and egg whites for meringues, mousses, soufflés, and desserts.

Citrus Press (All models except KFPW763)

Press consists of a strainer basket, 2-piece cone, and lever arm. Use the removable outer cone for larger items, such as grapefruit, and the inner cone for lemons and limes.

Heavy-Duty Base

The base features the OFF, ON, and PULSE buttons along with the power shaft, which rotates the blades and discs.

Spatula/Cleaning Tool

Special shape facilitates food removal from bowls, discs, and blades.

Chef's Accessory Case

Stylish and durable slim-line case organizes and protects blades, discs, and accessories.

Preparing the Food Processor for Use

⚠ WARNING

Cut Hazard

Handle blades carefully.

Failure to do so can result in cuts.

ENGLISH

Before First Use

Before using your Food Processor for the first time, wash the work bowl, work bowl cover, chef's bowl, mini bowl, feed tube pushers, discs, and blades either by hand or in the dishwasher (see "Cleaning the Food Processor" on page 16).

Work Bowl Assembly

1. Place the Food Processor base on a dry, level countertop with the controls facing forward. Do not plug in the unit until it is completely assembled.
2. With the handle just to the left of center, place the work bowl on the base, fitting the center opening over the power shaft.
3. Grasp the work bowl handle and turn the bowl to the right until it locks into position.



4. Insert the desired accessory into the work bowl. See pages 9–12 for accessory instructions.
5. Place the work bowl cover on the work bowl with the feed tube just to the left of the work bowl handle. Grasp the feed tube and turn the cover to the right until it locks into place.



NOTE: To avoid damage to the work bowl, do not attach the cover to the work bowl before the work bowl is locked on the base.

Preparing the Food Processor for Use

6. Fit the 2-piece food pusher (on models KFPW760 & KFPM770) or the 3-piece food pusher (on models KFPW763 & KFPM773) into the Ultra Wide Mouth™ feed tube.



NOTE: Your Food Processor will not operate unless the work bowl and work bowl cover are properly locked on the base, and the large pusher is inserted to the maximum fill line on the feed tube (approximately halfway down).

To avoid damage to the work bowl, do not remove the work bowl from the base without first removing the work bowl cover.

Multipurpose Blade and Dough Blade Assembly

1. Place the blade on the power shaft.
2. Rotate the blade so it falls into place on the shaft.



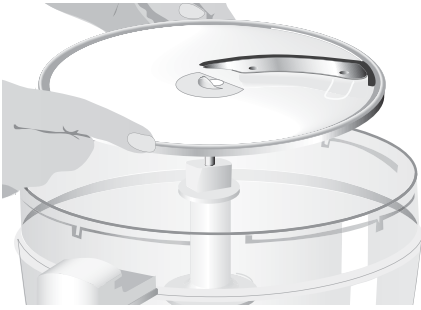
Slicing, Shredding, and Cutting Disc Assembly

1. Place the disc stem on the power shaft.



Preparing the Food Processor for Use

2. Fit the disc over the metal pin on the disc stem with the raised-blade side up. The disc has a raised nub on the top and grooves underneath to help align it properly. Rotate the disc until it falls fully onto the stem.



Mini Bowl Assembly

1. Place the mini bowl inside the work bowl over the power shaft. Rotate the mini bowl until it falls into place. When properly seated in the work bowl, the mini bowl cannot be rotated.



2. Fit the mini blade on the power shaft. It may be necessary to rotate the blade until it falls into place. The mini bowl can also be placed in the chef's bowl in a similar manner.



3. To remove the mini bowl after processing, lift the bowl using the two finger grips located along the top edge of the bowl.



Chef's Bowl Assembly

Place the chef's bowl inside the work bowl over the power shaft. Rotate the chef's bowl until it falls into place. When properly seated in the work bowl, the chef's bowl cannot be rotated.

The chef's bowl can only be used with the slicing, shredding, and cutting discs – the multipurpose blade cannot be used. To remove the chef's bowl after processing, lift the bowl using the two finger grips located along the top edge of the bowl.

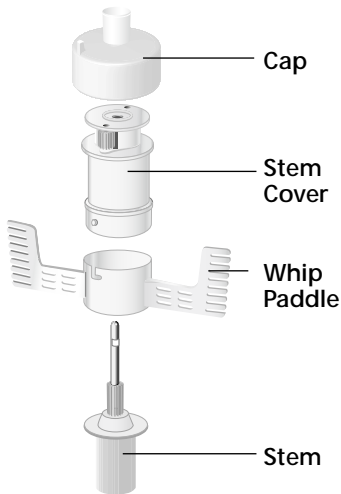
Preparing the Food Processor for Use

Egg Whip Assembly and Use

The egg whip is designed to whip egg whites or heavy cream to create toppings or soft meringues. For the best results, at least 1 cup (235 ml) of heavy cream or 3 egg whites should be whipped at a time. Whipping smaller quantities may not result in maximum volume.

To assemble:

The egg whip consists of 4 pieces – the egg whip stem, stem cover, whip paddle, and cap.



1. Place the egg whip stem on the power shaft. Slowly turn the stem until it drops fully onto the shaft.
2. Align the L-shaped notch on the whip paddle with the small post on the stem cover, and slide the paddle onto the cover. Turn slightly to lock paddle.
3. Fit the stem cover and paddle over the egg whip stem. Push downward to engage the ridges of the stem with the gears of the paddle.
4. Fit the egg whip cap over the egg whip stem. Push downward to lock it into place.

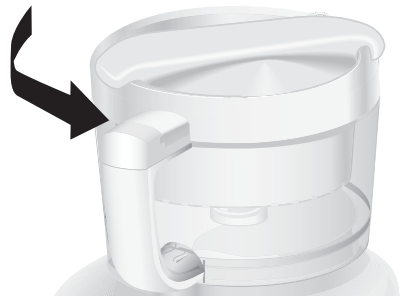
5. Place the work bowl cover on the work bowl with the feed tube just to the left of the handle. Make sure the center pin of the egg whip fits into the center opening of the cover. Grasp the feed tube and turn the cover to the right to lock it into place. Insert the pusher into the feed tube. The egg whip is now ready to operate.
6. Press the ON Button and whip ingredients to the desired texture and volume. Press the OFF Button when finished.

To disassemble:

1. Unplug the food processor.
2. Remove the work bowl cover with a clockwise turn.
3. Lift the egg whip assembly off the power shaft. Remove whipped ingredients from the work bowl.
4. Pull the cap from the egg whip assembly. Push downward on the stem pin to remove stem from the stem cover. Turn the egg whip paddle to unlock, and slide the paddle from the stem cover.

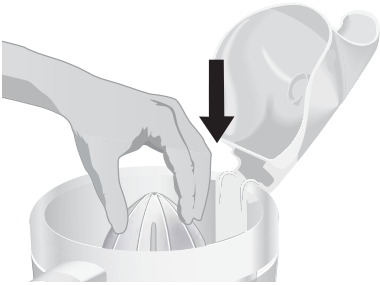
Citrus Press Assembly and Use

1. Position and lock the work bowl on the base.
2. Place the strainer basket in the bowl with the locking clip to the left of the work bowl handle.
3. Turn the basket counter-clockwise until the clip locks into the handle.

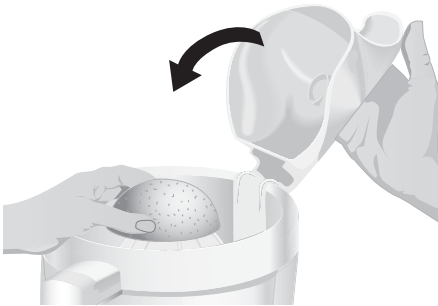


Preparing the Food Processor for Use

4. The 2-piece cone offers two sizes; choose the right size for the fruit you are juicing. Use the outer cone for grapefruit, oranges and other large fruits. Remove the outer cone to reveal a smaller inner cone that's perfect for lemons and limes.
5. Open the lid and place the cone inside the strainer basket over the power shaft. It may be necessary to rotate the cone until it falls into place.



6. Halve the fruit to be juiced.
7. Place fruit half on cone.
8. Close the lid of the strainer basket. Hold the lever arm down firmly with an open palm to maintain even pressure. Operate the citrus press only when the lever arm is in the down position, holding the fruit on the cone.



NOTE: Use of the citrus press without the clip-on lever arm is not recommended. If you do use it without the lever arm, remove the lever arm from the basket (see Step 14).

9. Operate the citrus press by pressing the ON Button or the PULSE Button.
10. When juice is fully extracted, Press the OFF Button.

- NOTE:** Do not exceed the maximum liquid level line on the work bowl, or juice will leak from the bowl.
11. Unplug the food processor.
 12. Unlock the strainer basket by turning it clockwise. Remove juiced fruit, cone, and strainer basket from the work bowl.
 13. Remove the work bowl from Food Processor and pour juice into desired container.
 14. To detach the clip-on lever arm from the strainer basket for thorough cleaning, pull the clip at the bottom of the basket away from the basket side and remove the lever arm from the basket.
 15. When reattaching the lever arm to the strainer basket, make sure the tabs on the clip snap securely into a pair of holes in the bottom of the basket.

Using the Food Processor

⚠ WARNING



Rotating Blade Hazard

Always use food pusher.

Keep fingers out of openings.

Keep away from children.

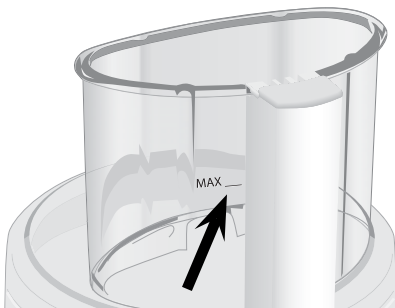
Failure to do so can result in amputation or cuts.

Before Use

Before operating the Food Processor, be sure the work bowl, blades, and work bowl cover are properly assembled on the Food Processor base (see “Preparing the Food Processor for Use” starting on page 8).

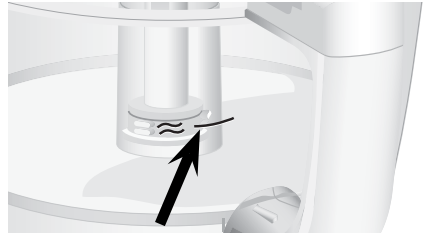
Food Pusher Interlock

The food pusher is part of the safety interlock system. The Food Processor will not run unless the large pusher is inserted to the maximum fill line on the feed tube (approximately halfway down).



Maximum Liquid Level

This line on the work bowl indicates the maximum level of liquid that can be processed by the Food Processor.



Turning the Food Processor On and Off

1. To turn on the Food Processor, press the ON Button. The unit will run continuously and the indicator light will glow.



2. To stop the Food Processor, press the OFF Button. The indicator light will go out and an automatic brake will stop the action of the blade or disk within seconds.
3. Wait until the blade or disk comes to a complete stop before removing the work bowl cover. Be sure to turn off the Food Processor before removing the work bowl cover, or before unplugging the Food Processor.

NOTE: If the Food Processor fails to operate, make sure the work bowl and cover are properly locked on the base, and the large food pusher is inserted to the maximum fill line on the feed tube (see “Preparing the Food Processor for Use” starting on page 8).

Using the Food Processor

Using the Pulse Control

The pulse control allows precise control of the duration and frequency of processing. It's great for jobs which require a light touch. Just press and hold the PULSE Button to start processing, and release it to stop. The indicator light will glow each time the PULSE Button is pressed.

The 2-Piece Food Pusher (Models KFPW760 & KFPW770)

To slice or shred small items, insert the 2-piece food pusher into the Ultra Wide Mouth™ feed tube, then turn the narrow center pusher clockwise to unlock and remove. Use the narrow feed tube and pusher to process small or slender items, or to add liquid while the Food Processor is running. When not using the narrow feed tube, lock the narrow pusher into place by turning it counter-clockwise.



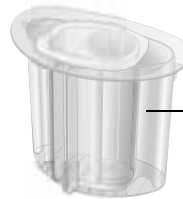
Large Food Pusher



Narrow Food Pusher

The 3-Piece Food Pusher (Models KFPW763 & KFPW773)

For continuous processing of smaller items, insert the 3-piece food pusher into the Ultra Wide Mouth™ feed tube and turn the top of one of the nested pushers left or right to unlock the appropriate-sized pusher, then lift to remove. Use the narrow feed tube and pusher to process small or slender items, like single carrots or celery stalks. Use the medium feed tube and pusher for continuous slicing or shredding of larger items, like cheese or multiple carrots. Be sure to lock the narrow pusher into place when using the medium-size feed tube. And when using the Ultra Wide Mouth™ feed tube, be sure to lock both the medium and narrow pushers into place. To slowly drizzle oil into ingredients, just fill the narrow pusher with the desired amount of oil. A small hole in the bottom of the pusher will drizzle the oil at a constant rate.



Large Food Pusher



Medium Food Pusher



Narrow Food Pusher

Disassembling the Food Processor

⚠ WARNING

Cut Hazard

Handle blades carefully.

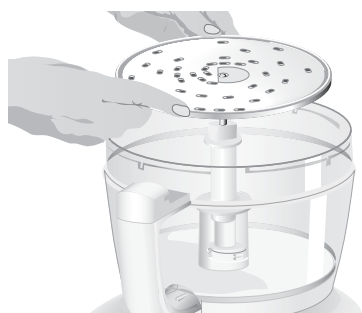
Failure to do so can result in cuts.

NOTE: If you have difficulty removing the pusher from the feed tube, it is likely that food particles have become lodged in the interlock system. To free the pusher, soak the work bowl cover in warm water or wash it in a dishwasher.

1. Press OFF Button.
2. Unplug the Food Processor before disassembling.
3. Turn the work bowl cover to the left and remove.



4. If using a disc, remove it before removing the bowl. Place two fingers under each side of the disc and lift it straight up. Remove the disc stem.



5. If using the mini bowl or chef's bowl, grasp and remove the bowl using the finger grips located along the top edge of the bowl.



6. Turn the work bowl to the left to unlock it from the base. Lift to remove.



7. The multipurpose blade can be removed from the work bowl before the contents are emptied. The blade can also be held in place as you remove food: grasp the work bowl from the bottom and place one finger through the center opening to grip the blade shaft. Then remove food from the bowl and blade with a spatula.



Cleaning the Food Processor

⚠️ WARNING

Cut Hazard

Handle blades carefully.

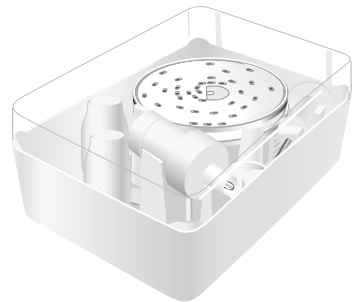
Failure to do so can result in cuts.

1. Press the OFF Button.
2. Unplug the Food Processor before cleaning.
3. Wipe the base and cord with a warm, sudsy cloth, and wipe clean with a damp cloth. Dry with a soft cloth. Do not use abrasive cleansers or scouring pads.
4. All the other parts of the Food Processor are dishwasher safe. Be sure to load them away from exposed heating elements in the dishwasher. If washing the Food Processor parts by hand, avoid the use of abrasive cleansers or scouring pads. They may scratch or cloud the work bowl and cover. Thoroughly dry all parts after washing.

5. To prevent damage to the interlock system, always store the work bowl and work bowl cover in the unlocked position when not in use.



6. Wrap the power cord around the work bowl. Secure the plug by clipping it to the cord.
7. Disassembled discs, shafts, and blades should be stored in the provided storage case, and in a location out of the reach of children.




Troubleshooting

- **If your Food Processor should fail to operate, check the following:**
 - Make sure the work bowl and work bowl cover are properly locked on the base, and the large food pusher is inserted to the maximum fill line on the feed tube (approximately halfway down).
 - See if the Food Processor is plugged into a proper electrical outlet. If it is, unplug the Food Processor, then plug it into the same outlet again.

Models KFPM770 & KFPM773

⚠ WARNING



Electrical Shock Hazard

Plug into a grounded 3 prong outlet.

Do not remove ground prong.

Do not use an adapter.

Do not use an extension cord.

Failure to follow these instructions can result in death, fire, or electrical shock.

Models KFPW760 & KFPW763

⚠ WARNING



Fire Hazard

Do not use an extension cord.

Doing so can result in death or fire.

- If the Food Processor still does not work, check the fuse or circuit breaker on the electrical circuit the Food Processor is connected to and make sure the circuit is closed.

- **If your Food Processor should fail to slice, shred, or cut when using the disc:**

- Make sure the raised-blade side of the disc is positioned face up on the disc stem. The disc has a raised nub on the top and grooves underneath to help align it properly.

- **If your Food Processor lid won't close when using the disc:**

- Make sure the disc is installed correctly, with the raised nub on top, and is positioned properly on the disc stem.

- **If the Food Processor shuts off while it is running:**

- The Food Processor may be overheated. If the motor exceeds a certain temperature, it will automatically shut off to prevent damage. This should be an extremely rare occurrence. If it happens, press the OFF Button and wait 15 minutes for the Food Processor to cool before resuming. If the Food Processor still refuses to run, wait an additional 15 minutes for the Food Processor to cool.

- **If you have difficulty removing the food pusher from the feed tube:**

- Food particles are probably lodged in the interlock system. To free the pusher, soak the work bowl cover in warm water or wash it in a dishwasher.

If the problem cannot be corrected with the steps in this section, see the KitchenAid Warranty and Service section on pages 23-26. Do not return the Food Processor to the retailer – they do not provide service.

Food Processing Tips



USING THE MULTIPURPOSE BLADE

To chop fresh fruits or vegetables:

Peel, core, and/or remove seeds. Cut food in 1 to 1½-inch (2.5 to 3.8 cm) pieces. Process food to desired size, using short pulses, 1 to 2 seconds each time. Scrape sides of bowl, if necessary.

To puree cooked fruits and vegetables (except potatoes):

Add ¼ cup (60 ml) liquid from recipe per cup (235 ml) of food. Process food, using short pulses, until finely chopped. Then process continuously until reaching desired texture. Scrape sides of bowl, if necessary.

To prepare mashed potatoes:

Insert chef's bowl into the work bowl. Using the shredding disc, shred hot, cooked potatoes. Remove the chef's bowl with potatoes. Place multipurpose blade in work bowl, and add shredded potatoes, softened butter, milk, and seasonings. Pulse 3 to 4 times, 2 to 3 seconds each time, until milk is absorbed and texture is smooth. Do not overprocess.

To chop dried (or sticky) fruits:

The food should be cold. Add ¼ cup (60 ml) flour from recipe per ½ cup (120 ml) dried fruit. Process fruit, using short pulses, until reaching desired texture.

To finely chop citrus peel:

With sharp knife, peel colored portion (without white membrane) from citrus. Cut peel in small strips. Process until finely chopped.

To mince garlic or to chop fresh herbs or small quantities of vegetables:

With processor running, add food through the narrow feed tube. Process until chopped. For best results, make sure work bowl and herbs are very dry before chopping.

To chop nuts or make nut butters:

Process up to 3 cups (710 ml) of nuts to desired texture, using short pulses, 1 to 2 seconds each time. For a coarser texture, process smaller batches, pulsing 1 or 2 times, 1 to 2 seconds each time. Pulse more often for finer texture. For nut butters, process continuously until smooth. Store in refrigerator.

To chop cooked or raw meat, poultry or seafood:

The food should be very cold. Cut in 1-inch (2.5 cm) pieces. Process up to 1 pound (455 g) at a time to desired size, using short pulses, 1 to 2 seconds each time. Scrape sides of bowl, if necessary.

To make bread, cookie, or cracker crumbs:

Break food into 1½ to 2-inch (3.8 to 5 cm) pieces. Process until fine. For larger pieces, pulse 2 to 3 times, 1 to 2 seconds each time. Then process until fine.

To melt chocolate in a recipe:

Combine chocolate and sugar from recipe in work bowl. Process until finely chopped. Heat liquid from recipe. With processor running, pour hot liquid through the narrow feed tube. Process until smooth.

Food Processing Tips

To grate hard cheeses, such as Parmesan and Romano:

Never attempt to process cheese that cannot be pierced with the tip of a sharp knife. You can use the multi-purpose blade to grate hard cheeses. Cut cheese in 1-inch (2.5 cm) pieces. Place in work bowl. Process, using short pulses, until coarsely chopped. Process continuously until finely grated. Pieces of cheese can also be added through the narrow feed tube while the processor is running.



USING A SLICING, SHREDDING, OR CUTTING DISC

NOTE: When cutting and packing food items in the Ultra Wide Mouth™ feed tube, do not exceed the maximum fill line. This will permit the pusher to engage the interlock and the unit to operate.

To cut julienne, or match stick, strips of vegetables and fruits:

Cut food to fit feed tube horizontally. Position food horizontally in feed tube. Process, using even pressure to make plank-like slices. Re-stack slices and position vertically or horizontally in feed tube. Process, using even pressure.



To slice or shred fruits or vegetables that are long and relatively small in diameter, such as celery, carrots and bananas:

Cut food to fit the feed tube vertically or horizontally, and pack feed tube securely to keep food positioned properly. Process using even pressure. Use the medium-size feed tube in the 3-piece food pusher, and process with the medium pusher (KFPW763 & KFPM773). Or use the narrow feed tube in either the two-piece food pusher (KFPW760 & KFPM770) or three-piece pusher. Position food vertically in the tube with the small end going in first and the large end processed last. Use the narrow food pusher to process the food.



To slice or shred fruits and vegetables that are round, such as onions, apples, and green peppers:

Peel, core, and remove seeds. Cut in halves or quarters to fit feed tube. Position in feed tube. Process using even pressure.

To slice or shred fruits and vegetables that are small, such as strawberries, mushrooms and radishes:

Position food vertically or horizontally in layers within the feed tube. Fill feed tube in order to keep food positioned properly, but do not exceed the maximum fill line. Process, using even pressure. Use the medium-size feed tube in the 3-piece food pusher, and process with the medium pusher (KFPW763 & KFPM773). Or use the narrow feed tube in either the two-piece food pusher (KFPW760 & KFPM770) or three-piece pusher. Position food vertically in the tube and use the narrow food pusher to process the food.

Food Processing Tips

To shred spinach and other leaves:

Stack leaves. Roll up and stand up in feed tube. Process, using even pressure.



To slice uncooked meat or poultry, such as stir-fry meats:

Cut or roll food to fit feed tube. Wrap and freeze food until hard to the touch, 30 minutes to 2 hours, depending on thickness of food. Check to be sure you can still pierce food with the tip of a sharp knife. If not, allow to thaw slightly. Process, using even pressure.

To slice cooked meat or poultry, including salami, pepperoni, etc.:

Food should be very cold. Cut in pieces to fit feed tube. Process food using firm, even pressure.

To shred firm and soft cheeses:

Firm cheese should be very cold. For best results with soft cheeses, such as mozzarella, freeze 10 to 15 minutes before processing. Cut to fit feed tube. Process, using even pressure.

To slice or shred items that are “pear-shaped” like sweet potatoes, eggplant and squash:

Position food horizontally so that the bigger/fatter side is to the left of the feed tube when you are facing the unit. Process, using even pressure on the food pusher.

USING THE DOUGH BLADE



The dough blade is specially designed for mixing and kneading yeast dough quickly and thoroughly. For the best results, do not knead recipes which use more than 2-3 cups (475-710 ml) of flour.

USING THE EGG WHIP



To make soft egg white meringue:

Place 3 egg whites and ¼ teaspoon (1 ml) cream of tartar in work bowl fitted with egg whip. Process until foamy, about 30 to 45 seconds. With processor running, slowly add ⅓ cup (80 ml) sugar through the narrow feed tube. Process until stiff peaks form, about 2½ to 3 minutes. Stop processor as necessary to check texture of mixture.

To whip cream:

Place heavy cream in work bowl fitted with egg whip. Process 30 seconds. With processor running, add 2 tablespoons (30 ml) powdered sugar through the narrow feed tube. Process just until soft peaks form, about 30 to 40 seconds. Stop processor as necessary to check texture of mixture. With processor running, add ½ teaspoon (2 ml) vanilla, if desired, through the narrow feed tube. Process just until mixed. Do not overprocess.

Helpful Hints

⚠ WARNING

Cut Hazard

Handle blades carefully.

Failure to do so can result in cuts.

1. To avoid damage to the blade or motor, do not process food that is so hard or firmly frozen that it cannot be pierced with the tip of a sharp knife. If a piece of hard food, such as a carrot, becomes wedged or stuck on the blade, stop the processor and remove the blade. Gently remove food from the blade.
2. When cutting and packing food items in the Ultra Wide Mouth™ feed tube, do not exceed the maximum fill line. This will permit the large pusher to engage the interlock and the unit to operate.
3. Do not overfill work bowl or mini bowl. For thin mixtures, fill work bowl up to $\frac{1}{2}$ to $\frac{2}{3}$ full. For thicker mixtures, fill work bowl up to $\frac{3}{4}$ full. For liquids, fill up to the maximum level as described on page 13. When chopping, the work bowl should be no more than $\frac{1}{3}$ to $\frac{1}{2}$ full. Use the mini bowl for up to 1 cup (235 ml) of liquid or $\frac{1}{2}$ cup (120 ml) solids.
4. Position slicing discs so the cutting surface is just to the right of the feed tube. This allows the blade a full rotation before contacting the food.
5. To capitalize on the speed of the processor, drop ingredients to be chopped through the narrow feed tube while the processor is running.
6. Different foods require varying degrees of pressure for best shredding and slicing results. In general, use light pressure for soft, delicate foods (strawberries, tomatoes, etc.), moderate pressure for medium foods (zucchini, potatoes, etc.), and firmer pressure for harder foods (carrots, apples, hard cheeses, partially frozen meats, etc.).
7. Soft and medium-hard cheese may spread out or roll up on the shredding disc. To avoid this, shred only well-chilled cheese.
8. Sometimes slender foods, such as carrots or celery, fall over in the feed tube, resulting in an uneven slice. To minimize this, cut food in several pieces and pack the medium feed tube in the three-piece pusher with the food (models KFPW763 & KFPM773). For processing small or slender items, the narrow feed tube (all models) will prove especially convenient.
9. When preparing a cake or cookie batter or quick bread, use the multipurpose blade to cream fat and sugar first. Add dry ingredients last. Place nuts and fruit on top of flour mixture to prevent overchopping. Process nuts and fruits, using short pulses, until blended with other ingredients. Do not overprocess.
10. When shredded or sliced food piles up on one side of the bowl, stop the processor and redistribute the food using a spatula.
11. When food quantity reaches the bottom of a slicing or shredding disc, remove the food.



Helpful Hints

12. A few larger pieces of food may remain on top of the disc after slicing or shredding. If desired, cut these by hand and add to mixture.
13. Organize processing tasks to minimize bowl cleanup. Process dry or firm ingredients before liquid ingredients.
14. To clean ingredients from the multipurpose blade easily, just empty the work bowl, replace the lid, and pulse 1 to 2 seconds to spin the blade clean.
15. After removing the work bowl cover, place it upside down on the counter. This will help keep the counter clean.
16. To remove the contents of the work bowl without removing the multipurpose blade, grasp the work bowl from the bottom and place one finger through the center opening to hold the blade in place. Then remove food from the bowl and blade with a spatula.
17. Your Food Processor is not designed to perform the following functions:
 - grind coffee beans, grains, or hard spices
 - grind bones or other inedible parts of food
 - liquefy raw fruits or vegetables
 - slice hard-cooked eggs or unchilled meats
18. If any plastic parts should discolor due to the types of food processed, clean them with lemon juice.



KitchenAid® Food Processor Warranty

Length of Warranty:	KitchenAid Will Pay For:	KitchenAid Will Not Pay For:
<p>50 United States, the District of Columbia, Canada, and Puerto Rico: One-year limited warranty from date of purchase.</p>	<p>50 United States, the District of Columbia and Canada: Hassle-free replacement of your Food Processor. See the following page for details on how to arrange for replacement. OR In Puerto Rico: The replacement parts and repair labor costs to correct defects in materials and workmanship. Service must be provided by an Authorized KitchenAid Service Center. To arrange for service, follow the instructions on page 25.</p>	<p>A. Repairs when Food Processor is used in other than normal single family home use. B. Damage resulting from accident, alteration, misuse or abuse or use with products not approved by KitchenAid. C. Replacement parts or repair labor costs for Food Processor when operated outside the country of purchase.</p>

DISCLAIMER OF IMPLIED WARRANTIES; LIMITATION OF REMEDIES IMPLIED WARRANTIES, INCLUDING TO THE EXTENT APPLICABLE WARRANTIES OF MERCHANTABILITY OR FITNESS FOR A PARTICULAR PURPOSE, ARE EXCLUDED TO THE EXTENT LEGALLY PERMISSIBLE. ANY IMPLIED WARRANTIES THAT MAY BE IMPOSED BY LAW ARE LIMITED TO ONE YEAR, OR THE SHORTEST PERIOD ALLOWED BY LAW. SOME STATES AND PROVINCES DO NOT ALLOW LIMITATIONS OR EXCLUSIONS ON HOW LONG AN IMPLIED WARRANTY OF MERCHANTABILITY OR FITNESS LASTS, SO THE ABOVE LIMITATIONS OR EXCLUSIONS MAY NOT APPLY TO YOU.

IF THIS PRODUCT FAILS TO WORK AS WARRANTED, CUSTOMER'S SOLE AND EXCLUSIVE REMEDY SHALL BE REPAIR OR REPLACEMENT ACCORDING TO THE TERMS OF THIS LIMITED WARRANTY. KITCHENAID AND KITCHENAID CANADA DO NOT ASSUME ANY RESPONSIBILITY FOR INCIDENTAL OR CONSEQUENTIAL DAMAGES. This warranty gives you specific legal rights and you may also have other rights which vary from state to state or province to province.

Hassle-Free Replacement Warranty – 50 United States and District of Columbia

ENGLISH

We're so confident the quality of our products meets the exacting standards of KitchenAid that, if your Food Processor should fail within the first year of ownership, KitchenAid will arrange to deliver an identical or comparable replacement to your door free of charge and arrange to have your original Food Processor returned to us. Your replacement unit will also be covered by our one year limited warranty. Please follow these instructions to receive this quality service.

If your KitchenAid® Food Processor should fail within the first year of ownership, simply call our toll-free Customer Satisfaction Center at 1-800-541-6390 Monday through Friday, 8 a.m. to 8 p.m. (Eastern Time), or Saturday, 10 a.m. to 5 p.m. Give the consultant your complete shipping address. (No P.O. Box numbers, please.)

When you receive your replacement Food Processor, use the carton and packing materials to pack up your original Food Processor. In the carton, include your name and address on a sheet of paper along with a copy of the proof of purchase (register receipt, credit card slip, etc.).

Hassle-Free Replacement Warranty – Canada

We're so confident the quality of our products meets the exacting standards of the KitchenAid® brand that, if your Food Processor should fail within the first year of ownership, KitchenAid Canada will replace your Food Processor with an identical or comparable replacement. Your replacement unit will also be covered by our one year limited warranty. Please follow these instructions to receive this quality service.

If your KitchenAid® Food Processor should fail within the first year of ownership, take the Food Processor or ship collect to an Authorized KitchenAid Canada Service Centre. In the carton include your name and complete shipping address along with a copy of the proof of purchase (register receipt, credit card slip, etc.). Your replacement Food Processor will be returned prepaid and insured. If you are unable to obtain satisfactory service in this manner call our toll-free Customer eXperience Centre at 1-800-807-6777. Or write to us at:

Customer eXperience Centre
KitchenAid Canada
1901 Minnesota Court
Mississauga, ON L5N 3A7

How to Arrange for Warranty Service in Puerto Rico

Your KitchenAid® Food Processor is covered by a one-year limited warranty from the date of purchase. KitchenAid will pay for replacement parts and labor costs to correct defects in materials and workmanship. Service must be provided by an Authorized KitchenAid Service Center.

Take the Food Processor or ship prepaid and insured to an Authorized KitchenAid Service Center. Your repaired Food Processor will be returned prepaid and insured. If you are unable to obtain satisfactory service in this manner, call toll-free 1-800-541-6390 to learn the location of a Service Center near you.

How to Arrange for Service after the Warranty Expires – All Locations

Before calling for service, please review the Troubleshooting section on page 17.

For service information in the 50 United States, District of Columbia, and Puerto Rico, call toll-free 1-800-541-6390.

Or write to:
Customer Satisfaction Center
KitchenAid Portable Appliances
P.O. Box 218
St. Joseph, MI 49085-0218

Or contact an Authorized Service Center near you.

For service information in Canada, call toll-free 1-800-807-6777.

Or write to:
Customer eXperience Centre
KitchenAid Canada
1901 Minnesota Court
Mississauga, ON L5N 3A7

How to Arrange for Service Outside these Locations

Consult your local KitchenAid dealer or the store where you purchased the Food Processor for information on how to obtain service.

For service information in Mexico, call toll-free
01-800-024-17-17
(JV Distribuciones)

Or
01-800-902-31-00
(Industrias Birtman)

How to Order Accessories and Replacement Parts

To order accessories or replacement parts for your Food Processor in the 50 United States, District of Columbia, and Puerto Rico, call toll-free 1-800-541-6390 Monday through Friday, 8 a.m. to 8 p.m. (Eastern Time), or Saturday, 10 a.m. to 5 p.m.

Or write to:
Customer Satisfaction Center
KitchenAid Portable Appliances
P.O. Box 218
St. Joseph, MI 49085-0218

To order accessories or replacement parts for your Food Processor in Canada, call toll-free 1-800-807-6777.

Or write to:
Customer eXperience Centre
KitchenAid Canada
1901 Minnesota Court
Mississauga, ON L5N 3A7

To order accessories or replacement parts for your Food Processor in Mexico, call toll-free
01-800-024-17-17
(JV Distribuciones)

Or
01-800-902-31-00
(Industrias Birtman)

Accessories for 12-Cup (2.8 L) Models KFPW760, KFPW763, KFPM770 & KFPM773:

Blades and Discs

Multipurpose Blade	KFP72BL
Dough Blade	KFP72DB
Mini Blade (for Mini Bowl)	KFP7MBL
2 mm (Fine) Slicing Disc	KFP7SL2
2 mm (Fine) Shredding Disc	KFP7SH2
4 mm (Med) Slicing Disc	KFP7SL4
4 mm (Med) Shredding Disc	KFP7SH4
6 mm (Thick) Slicing Disc	KFP7SL6
6 mm (Thick) Shredding Disc	KFP7SH6
Julienne Disc	KFP7JU
French Fry Cutting Disc	KFP7FF
Parmesan/Ice Grating Disc	KFP7PI
5 Disc Set	KFP7DS
<ul style="list-style-type: none"> • 6 mm slicing • 6 mm shredding • French fry • Julienne • Parmesan/Ice grating 	

Bowls and Covers

Work Bowl Cover with Ultra Wide Mouth™ Feed Tube	KFP7WWC
Work Bowl (12 cup [2.8 L])	KFP72WB
Mini Bowl (4 cup [945 ml]) with Storage Lid	KFP7MB
Chef's Bowl (10 cup [2.4 L])	KFP72CB

Specialty Accessories

Egg Whip	KFP72EW
Citrus Press	KFP7CP

Other Accessories

2-Piece Food Pusher for Ultra Wide Mouth™ Feed Tube	KFP7WP
3-Piece Food Pusher for Ultra Wide Mouth™ Feed Tube	KFPTPP
Spatula/Cleaning Tool	KFP7SP
Chef's Accessory Case	KFP7SC

Table des matières

INTRODUCTION

Preuve d'achat et enregistrement du produit	Couverture avant intérieure
Sécurité – Robot culinaire	29
Consignes de sécurité importantes	30
Alimentation électrique	31

CARACTÉRISTIQUES ET FONCTIONNEMENT

Caractéristiques du robot culinaire	32
Avant de se servir du robot culinaire	
Avant de se servir du robot pour la première fois	34
Assemblage du bol de travail	34
Assemblage des lames polyvalente et à pétrir	35
Assemblage du disque à couper, trancher et râper	35
Assemblage du mini-bol	36
Assemblage du bol du chef	36
Assemblage et utilisation du fouet à oeufs	37
Assemblage et utilisation du presse-agrumes	37
Utilisation du robot culinaire	
Avant d'utiliser le robot culinaire	39
Interverrouillage du poussoir	39
Niveau maximal de liquide	39
Mise en marche et arrêt du robot culinaire	39
Utilisation de la commande Pulse (à impulsion)	40
Le poussoir, à 2 pièces et 3 pièces	40
Démontage du robot culinaire	41

ENTRETIEN ET NETTOYAGE

Nettoyage du robot culinaire	42
Dépannage	43

suite à la page suivante

Table des matières

CONSEILS POUR LA PRÉPARATION DES ALIMENTS

Utilisation de la lame polyvalente.....	44
Utilisation du disque à couper, trancher ou à râper.....	45
Utilisation de la lame à pétrir.....	47
Utilisation du fouet à oeufs.....	47
Conseils utiles.....	48

GARANTIE ET INFORMATION SUR LE SERVICE APRÈS-VENTE

Garantie du robot culinaire KitchenAid®.....	50
Garantie de satisfaction totale et de remplacement — 50 États des États-Unis, district fédéral de Columbia.....	51
Garantie de satisfaction totale et de remplacement — Canada.....	51
Comment obtenir une réparation sous garantie à Puerto Rico.....	52
Comment obtenir une réparation hors garantie — tous les territoires.....	52
Comment obtenir une réparation en dehors de ces territoires.....	52
Comment commander des accessoires et des pièces de rechange.....	53

Sécurité – Robot culinaire

Votre sécurité et celle des autres est très importante.

Nous donnons de nombreux messages de sécurité importants dans ce manuel et sur votre appareil ménager. Assurez-vous de toujours lire tous les messages de sécurité et de vous y conformer.



Voici le symbole d'alerte de sécurité.

Ce symbole d'alerte de sécurité vous signale les dangers potentiels de décès et de blessures graves à vous et à d'autres.

Tous les messages de sécurité suivront le symbole d'alerte de sécurité et le mot "DANGER" ou "AVERTISSEMENT". Ces mots signifient :

! DANGER

Risque possible de décès ou de blessure grave si vous ne suivez pas immédiatement les instructions.

! AVERTISSEMENT

Risque possible de décès ou de blessure grave si vous ne suivez pas les instructions.

Tous les messages de sécurité vous diront quel est le danger potentiel et vous disent comment réduire le risque de blessure et ce qui peut se produire en cas de non-respect des instructions.

CONSIGNES DE SÉCURITÉ IMPORTANTES

Lors de l'utilisation d'appareils électriques, il est important d'observer en tout temps certaines précautions élémentaires, notamment :

1. Lire toutes les directives.
2. Ne pas immerger le robot culinaire dans l'eau ni tout autre liquide pour éviter les risques de choc électrique.
3. Exercer une surveillance attentive lorsque tout appareil est utilisé par des enfants ou à proximité de ceux-ci.
4. Débrancher l'appareil après l'usage, avant de mettre ou de retirer des pièces et avant de le nettoyer.
5. Éviter de toucher les pièces en mouvement.
6. Ne pas faire fonctionner tout appareil électroménager avec un cordon ou une fiche endommagé(e), ou si l'appareil fonctionne mal, ou est échappé ou endommagé de quelque façon que ce soit. Retourner l'appareil au Centre de service après-vente autorisé le plus proche pour le faire inspecter ou réparer, ou pour y faire effectuer des réglages électriques ou mécaniques.
7. L'utilisation de tout accessoire non recommandé par KitchenAid peut provoquer des incendies, des chocs électriques ou des blessures.
8. Ne pas utiliser l'appareil à l'extérieur.
9. Ne jamais laisser le cordon d'alimentation pendre d'une table ou d'un comptoir.
10. Éviter que les mains et les ustensiles viennent en contact avec les lames ou les disques en mouvement pendant la préparation des aliments pour réduire le risque de blessures graves ou de dommages au robot culinaire. L'usage d'un grattoir est permis, mais seulement lorsque le robot culinaire n'est pas en marche.
11. Les lames sont coupantes. Les manipuler avec précaution.
12. Pour réduire le risque de blessures, ne jamais placer la lame de coupe ou les disques sur le socle tant que le bol n'est pas mis convenablement en place.
13. S'assurer que le couvercle est bien verrouillé avant d'utiliser l'appareil.
14. Ne jamais enfoncer d'aliments avec les doigts. Toujours se servir du poussoir.
15. Ne jamais tenter de passer outre le mécanisme d'interverrouillage du couvercle.
16. Ce produit est conçu pour usage domestique seulement.

CONSERVEZ CES DIRECTIVES

Alimentation électrique

⚠️ AVERTISSEMENT



Risque de choc électrique

Brancher sur une prise à 3 alvéoles reliée à la terre.

Ne pas enlever la broche de liaison à la terre.

Ne pas utiliser un adaptateur.

Ne pas utiliser un câble de rallonge.

Le non-respect de ces instructions peut causer un décès, un incendie ou un choc électrique.

Modèles KFPM770 et KFPM773 :

Volts : 120 volts de C.A.

Hertz : 60 Hz

REMARQUE : Les modèles KFPM770 et KFPM773 ont une fiche mise à la terre à 3 broches. Pour réduire le risque de choc électrique, cette fiche entre dans une prise seulement d'une manière. Si la fiche n'entre pas entièrement dans la prise, contactez un électricien qualifié. Ne modifiez pas la fiche de quelque façon que ce soit.

N'utilisez pas de rallonges. Si le cordon est trop court, demandez à un électricien qualifié ou à un réparateur d'installer une prise plus près de l'appareil.

⚠️ AVERTISSEMENT



Risque d'incendie

Ne pas utiliser un câble de rallonge.

Le non-respect de cette instruction peut causer un décès, ou un incendie.

Modèles KFPW760 et KFPW763 :

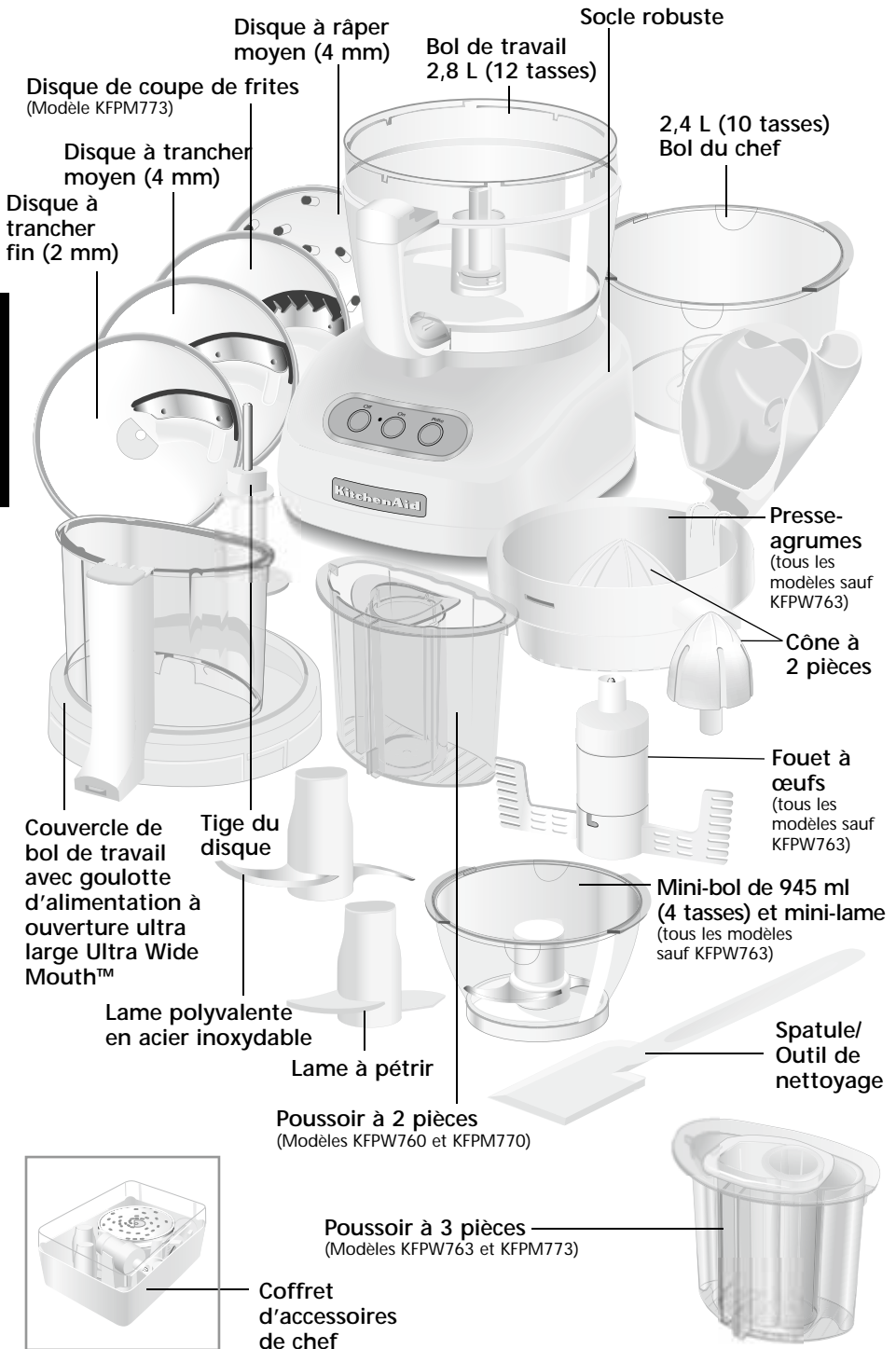
Volts : 120 volts de C.A.

Hertz : 60 Hz

REMARQUE : Les modèles KFPW760 et KFPW763 ont une fiche polarisée (une lame est plus large que l'autre). Pour réduire le risque de choc électrique, cette fiche entre dans une prise polarisée d'une seule manière. Si la fiche n'entre pas entièrement dans la prise, inversez-la. Si la fiche n'entre toujours pas, contactez un électricien qualifié. Ne modifiez pas la fiche de quelque façon que ce soit.

N'utilisez pas de rallonges. Si le cordon est trop court, demandez à un électricien qualifié ou à un réparateur d'installer une prise plus près de l'appareil.

Caractéristiques du robot culinaire



Caractéristiques du robot culinaire

Couvercle de bol de travail avec goulotte d'alimentation à ouverture ultra large Ultra Wide Mouth™

La goulotte Ultra Wide Mouth™ est l'une des plus larges de l'industrie et convient pour les larges articles — comme les tomates, les concombres, et les pommes de terre — avec un minimum d'éminçage ou de coupe.

Poussoir à 2 pièces

(Modèles KFPW760 et KFPM770)

Pour les articles plus petits, retirez le poussoir étroit de la goulotte centrale dans le poussoir large. Le poussoir étroit et la goulotte permettent de transformer facilement les herbes, les noix, les carottes uniques et le céleri. Le poussoir étroit peut aussi servir de pratique tasse à mesurer de 120 ml (4 oz).

Poussoir à 3 pièces

(Modèles KFPW763 et KFPM773)

Trois poussoirs sont nichés l'un à l'intérieur de l'autre pour offrir une plus grande variété de choix de goulottes. Retirez le poussoir moyen du large poussoir pour révéler une goulotte moyenne pour une transformation continue. Pour la transformation continue d'articles plus petits (comme les herbes, noix, carottes uniques et céleri) retirez le poussoir étroit et utilisez la goulotte étroite. Le poussoir moyen à poussoir étroit retiré peut être utilisé comme pratique tasse à mesurer de 120 ml (4 oz). Un petit trou au bas du poussoir étroit permet de verser de l'huile sur les ingrédients, vous n'avez qu'à remplir de la quantité voulue d'huile.

Bol de travail 2,8 L (12 tasses)

Le bol de travail durable et large fournit la capacité voulue pour les gros projets.

Bol du chef de 2,4 L (10 tasses)

Placez le bol du chef dans le bol de travail et glissez ou déchiquez un aliment tout en gardant le bol de travail propre pour un autre ingrédient.

Mini-bol de 945 ml (4 tasses) et mini-lame (tous les modèles sauf KFPW763)

Le mini-bol et la lame d'acier inoxydable sont les articles parfaits pour les petits travaux de mélange et de broyage.

Disque à trancher fin (2 mm)

Le disque donne des tranches d'environ 2 mm ($\frac{1}{16}$ po) pour la plupart des aliments, des délicates fraises aux viandes partiellement surgelées.

Disque à trancher moyen (4 mm)

Le disque donne des tranches d'environ 4 mm ($\frac{1}{8}$ po) de la plupart des aliments.

Disque à râper moyen (4 mm)

Le disque râpe en filaments d'environ 4 mm ($\frac{1}{8}$ po) pour la plupart des fruits, légumes et fromages fermes.

Disque de coupe de frites

(Modèle KFPM773)

Le disque donne des bâtonnets d'une épaisseur d'environ 8,5 x 6,5 mm ($\frac{1}{2}$ x $\frac{1}{4}$ po) de pommes de terre et d'autres fruits et légumes fermes.

Tige du disque

La tige s'ajuste sur l'axe du socle et à la base du disque à trancher ou à râper.

Lame polyvalente en acier inoxydable

La lame polyvalente hache, émince, mélange et émulsifie en quelques secondes.

Lame à pétrir

La lame à pétrir est conçue spécialement pour mélanger et pétrir la pâte à levure.

Fouet à œufs

(tous les modèles sauf KFPW763)

Le fouet à œufs permet de fouetter rapidement la crème ou de monter les blancs d'œufs pour créer des meringues, des mousses, des soufflés et des desserts.

Presse-agrumes

(tous les modèles sauf KFPW763)

Le presse-agrumes comprend un panier passoire, un cône à 2 pièces et un bras-levier. Utilisez le cône extérieur amovible pour les articles plus larges comme les pamplemousses et le cône intérieur pour les citrons et les limes.

Caractéristiques du robot culinaire

Socle robuste

Le socle comprend les boutons marche, arrêt et Pulse (à impulsion) en plus de l'axe (arbre de commande) qui fait tourner les lames et les disques.

Spatule / Outil de nettoyage

La forme spéciale permet de retirer plus facilement les aliments des bols, disques et lames.

Coffret d'accessoires de chef

Le coffret plat durable et à la mode organise et protège lames, disques et accessoires.

Avant de se servir du robot culinaire

AVERTISSEMENT

Risque de coupure

Manipulez les lames avec précaution.

Le non-respect de cette instruction peut causer des coupures.

Avant de se servir du robot pour la première fois

Avant d'utiliser votre robot culinaire pour la première fois, lavez le bol de travail, le couvercle du bol de travail, le bol du chef, le mini-bol, les poussoirs de goulotte, les disques, et les lames à la main ou dans le lave vaisselle (consultez la section « Nettoyage du robot culinaire » de la page 42).

Assemblage du bol de travail

1. Placez le socle du robot culinaire sur un comptoir sec et à niveau avec les commandes face vers l'avant. Ne branchez pas l'appareil avant qu'il ne soit entièrement assemblé.
2. Mettez la poignée un peu à gauche du centre et placez le bol de travail sur le socle, ajustant l'ouverture centrale sur l'axe.
3. Agrippez la poignée du bol de travail et tournez le bol vers la droite jusqu'à ce qu'il se verrouille en place.



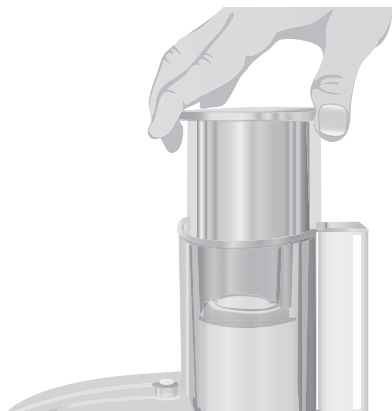
4. Insérez l'accessoire voulu dans le bol de travail. Reportez-vous aux pages 35 et 38 pour les instructions des accessoires.
5. Placez le couvercle du bol de travail sur le bol avec la goulotte à gauche de la poignée du bol de travail. Agrippez la goulotte et tournez le couvercle vers la droite jusqu'à ce qu'il se verrouille en place.



Avant de se servir du robot culinaire

REMARQUE : Pour éviter d'endommager le bol de travail, n'installez pas le couvercle du bol avant que ce dernier ne soit verrouillé sur la base.

6. Ajustez le poussoir à 2 pièces (modèles KFPW760 et KFPM770) ou le poussoir à 3 pièces (sur les modèles KFPW763 et KFPM773) dans la goulotte Ultra Wide Mouth™.



REMARQUE : Votre robot culinaire ne fonctionnera pas à moins que le bol de travail et le couvercle du bol soient bien verrouillés sur le socle et que le large poussoir soit inséré jusqu'à la ligne de remplissage maximum sur la goulotte (environ à moitié du bas).

Pour éviter d'endommager le bol de travail, ne le retirez pas du socle sans d'abord retirer le couvercle du bol de travail.

Assemblage des lames polyvalente et à pétrir

1. Placez la lame sur l'axe du socle.
2. Tournez la lame pour qu'elle tombe en place sur l'axe.



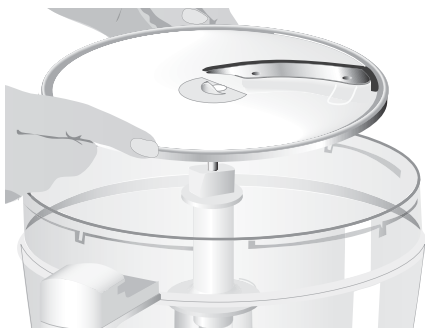
Assemblage du disque à couper, trancher et râper

1. Placez la tige du disque sur l'axe du socle.



Avant de se servir du robot culinaire

2. Installez le disque sur l'arbre en métal sur la tige du disque avec le côté de lame soulevée vers le haut. Le disque a un tenon en relief sur le dessus et des rainures sur le dessous pour aider à l'aligner. Tournez le disque jusqu'à ce qu'il entre complètement sur la tige.



2. Ajustez la mini-lame sur l'axe du socle. Il sera peut-être nécessaire de faire tourner la lame jusqu'à ce qu'elle tombe en place. Le mini-bol se place aussi dans le bol du chef de la même manière.



3. Pour retirer le mini-bol après la transformation, soulevez le bol par les deux prises pour les doigts le long du pourtour du bol.



Assemblage du mini-bol

1. Placez le mini-bol à l'intérieur du bol de travail sur l'axe du socle. Tournez le mini-bol jusqu'à ce qu'il se verrouille en place. Lorsque le mini-bol est bien installé dans le bol de travail, il ne peut plus tourner.



Assemblage du bol du chef

Placez le bol du chef à l'intérieur du bol de travail sur l'axe du socle. Tournez le bol du chef jusqu'à ce qu'il tombe en place. Lorsque le bol de travail est bien placé, le bol du chef ne peut plus tourner.

Le bol du chef peut aussi être utilisé avec les disques à trancher, à râper et à couper — la lame polyvalente ne peut pas être utilisée. Pour retirer le bol du chef après la transformation, soulevez le bol par les deux prises pour les doigts le long du pourtour du bol.

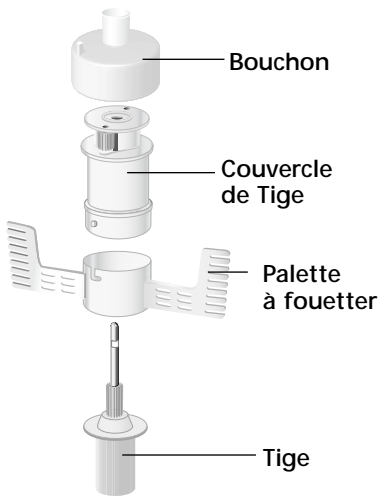
Avant de se servir du robot culinaire

Assemblage et utilisation du fouet à oeufs

Le fouet à oeufs est conçu pour monter les blancs d'œufs ou la crème riche en matière grasse pour créer des garnitures ou des meringues molles. Pour de meilleurs résultats, il faut fouetter à la fois 235 ml (1 tasse) de crème riche en matière grasse ou 3 blancs d'œuf. Fouetter de plus petites quantités pourrait ne pas produire un volume maximum.

Pour assembler :

Le fouet à oeufs comprend 4 pièces — la tige du fouet, le couvercle de tige, la palette à fouetter et le bouchon.



1. Placez la tige du fouet à oeufs sur l'axe du socle. Tournez lentement la tige jusqu'à ce qu'elle entre entièrement sur l'axe.
2. Alignez l'encoche en forme de L sur la palette à fouetter avec le petit poteau sur le couvercle de tige et glissez la palette sur le couvercle. Tournez un peu pour verrouiller la palette.
3. Installez le couvercle de tige et la palette sur la tige du fouet à oeufs. Poussez vers le bas pour engager les rainures de la tige avec les engrenages de la palette.
4. Placez le bouchon du fouet à oeufs sur la tige du fouet à oeufs. Poussez vers le bas pour verrouiller en place.

5. Placez le couvercle du bol de travail sur le bol de travail avec la goulotte à gauche de la poignée. Assurez-vous que la goupille centrale du fouet à oeufs s'ajuste dans l'ouverture centrale du couvercle. Agrippez la goulotte et tournez le couvercle vers la droite jusqu'à ce qu'il se verrouille en place. Insérez le poussoir dans la goulotte d'alimentation. Le fouet à oeufs est maintenant prêt à utiliser.
6. Enfoncez le bouton « ON » (marche) et fouettez les ingrédients à la texture et au volume voulus. Enfoncez le bouton « OFF » (arrêt) à la fin.

Pour démonter :

1. Débranchez le robot culinaire.
2. Retirez le couvercle du bol de travail en tournant dans le sens horaire.
3. Retirez l'assemblage du fouet à oeufs de l'axe du socle. Retirez les ingrédients fouettés du bol de travail.
4. Tirez le bouchon de l'assemblage du fouet à oeufs. Poussez vers le bas sur la goupille de la tige pour retirer la tige du couvercle de tige. Tournez la palette du fouet à oeufs pour déverrouiller et glissez la palette du couvercle de tige.

Assemblage et utilisation du presse-agrumes

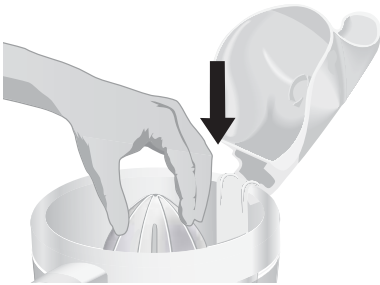
1. Placez et verrouillez le bol de travail sur le socle.
2. Placez le panier passoire dans le bol avec la pince de verrouillage à gauche de la poignée du bol de travail.
3. Tournez le panier dans le sens antihoraire jusqu'à ce que la pince se verrouille dans la poignée.



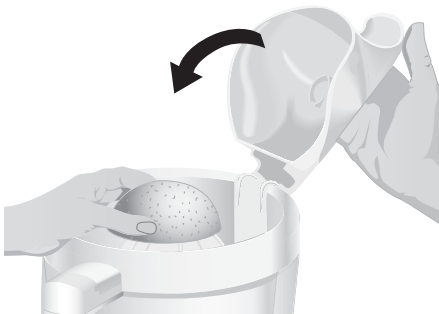
suite à la page suivante

Avant de se servir du robot culinaire

- Le cône à 2 pièces offre deux tailles, choisissez la bonne taille pour le fruit que vous pressez. Utilisez le cône extérieur pour les pamplemousses, les oranges et autres larges fruits. Retirez le cône extérieur pour voir un cône intérieur plus petit parfait pour les citrons et les limes.
- Ouvrez le couvercle et placez le cône à l'intérieur du panier passoire sur l'axe du socle. Il sera peut-être nécessaire de tourner le cône jusqu'à ce qu'il tombe en place.



- Séparez le fruit à presser en deux.
- Placez la moitié du fruit sur le cône.
- Refermez le couvercle du panier passoire. Tenez le bras-levier fermement avec une paume ouverte pour maintenir une pression uniforme. Faites fonctionner le presse-agrumes seulement lorsque le bras-levier est en position vers le bas, en tenant le fruit sur le cône.



REMARQUE : Utiliser le presse-agrumes sans le bras-levier à pince n'est pas recommandé. Si vous l'utilisez sans le bras-levier, retirez le bras du panier (voir l'étape 14).

- Faites fonctionner le presse-agrumes en enfonçant le bouton « ON » (marche) le bouton « PULSE » (à impulsion).
 - Lorsque tout le jus est extrait, enfoncez le bouton « OFF » (arrêt).
- REMARQUE :** Ne dépassez pas la ligne du niveau maximal de liquide sur le bol de travail sinon le jus débordera du bol.
- Débranchez le robot culinaire.
 - Déverrouillez le panier passoire en tournant dans le sens horaire. Retirez le fruit pressé, le cône et le panier passoire du bol de travail.
 - Retirez le bol de travail du robot culinaire et versez le jus dans le contenu voulu.
 - Pour séparer le bras-levier à pince du panier passoire pour un bon nettoyage, tirez la pince sur le dessus du panier pour l'éloigner du côté du panier et retirez le bras-levier du panier.
 - En replaçant le bras-levier au panier passoire, assurez-vous que les languettes de la pince s'enclenchent dans une paire de trous au bas du panier.

Utilisation du robot culinaire

AVERTISSEMENT



Danger avec la lame rotative

Toujours utiliser un poussoir pour introduire les aliments.

Ne pas approcher les doigts des ouvertures.

Conserver hors de portée des enfants.

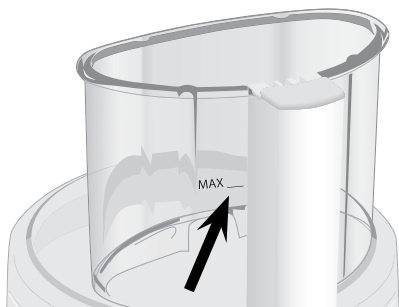
Le non-respect de ces instructions peut causer une amputation ou des coupures.

Avant d'utiliser le robot culinaire

Avant de faire fonctionner le robot culinaire, assurez-vous que le bol de travail, les lames et le couvercle du bol de travail sont bien assemblés sur le socle du robot culinaire (reportez-vous à « Avant de se servir du robot culinaire » commençant à la page 34).

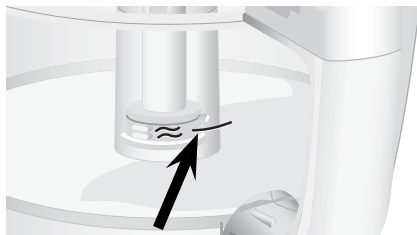
Interverrouillage du poussoir

Le poussoir fait partie du système d'interverrouillage de sécurité. Le robot culinaire ne fonctionnera pas à moins que le large poussoir ne soit inséré jusqu'à la ligne de remplissage maximum de la goulotte (environ à moitié du bas).



Niveau maximal de liquide

Le repère sur le bol de travail indique le niveau maximal de liquide qui peut être transformé par le robot culinaire.



Mise en marche et arrêt du robot culinaire

1. Pour mettre le robot culinaire en marche, enfoncez le bouton « ON » (marche). L'appareil fonctionnera continuellement et le témoin lumineux brillera.



2. Pour arrêter le robot culinaire, enfoncez le bouton « OFF » (arrêt). Le témoin lumineux s'éteindra et un frein automatique arrêtera le mouvement de la lame ou le disque en quelques secondes.
3. Attendez que la lame ou le disque s'arrête complètement avant de retirer le couvercle du bol de travail. Assurez-vous d'arrêter le robot culinaire avant de retirer le couvercle du bol de travail ou avant de débrancher l'appareil.

REMARQUE : Si l'appareil ne fonctionne pas, assurez-vous que le bol de travail et le couvercle sont bien verrouillés sur le socle, et que le large poussoir est inséré à la ligne de remplissage maximum sur la goulotte (voir « Avant de se servir du robot culinaire » en commençant à la page 34).

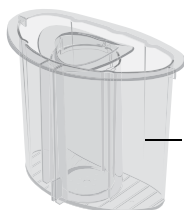
Utilisation du robot culinaire

Utilisation de la commande Pulse (à impulsion)

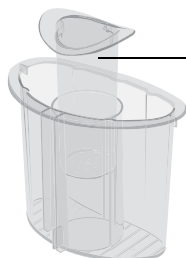
La commande Pulse permet un contrôle précis de la durée et de la fréquence de la transformation. Cela convient particulièrement bien pour les activités qui exigent une touche légère. Enfoncez tout simplement et gardez le bouton « PULSE » (à impulsion) enfoncé pour commencer la transformation et dégagez-le pour arrêter. Le témoin lumineux brillera à chaque fois que le bouton « PULSE » (à impulsion) est enfoncé.

Le poussoir à 2 pièces (Modèles KFPW760 et KFPM770)

Pour trancher ou déchiqueter les petits articles, insérez le poussoir à 2 pièces dans la goulotte Ultra Wide Mouth™, puis tournez le poussoir central étroit dans le sens horaire pour déverrouiller et retirer. Utilisez la goulotte étroite et le poussoir pour transformer les petits articles ou les articles minces ou pour ajouter du liquide tandis que le robot culinaire fonctionne. Lorsque vous n'utilisez pas la goulotte étroite, verrouillez le poussoir étroit en place en tournant dans le sens antihoraire.



— Large poussoir



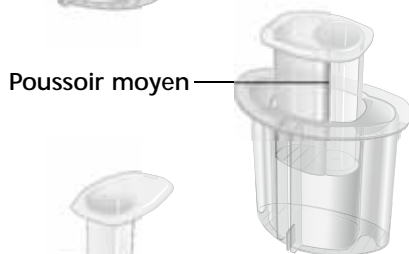
— Poussoir étroit

Poussoir à 3 pièces (Modèles KFPW763 et KFPM773)

Pour une transformation continue des articles plus petits, insérez le poussoir à 3 pièces dans la goulotte Ultra Wide Mouth™ et tournez le dessus d'un des poussoirs nichés à gauche ou à droite pour déverrouiller le poussoir de taille appropriée, puis soulevez pour retirer. Utilisez la goulotte étroite et le poussoir pour transformer les petits articles ou les articles étroits, comme les carottes simples ou les branches de céleri. Utilisez la goulotte moyenne et le poussoir pour trancher continuellement ou déchiqueter les articles plus larges, comme le fromage ou plusieurs carottes. Assurez-vous de verrouiller le poussoir étroit en place en utilisant la goulotte de taille moyenne. En utilisant la goulotte Ultra Wide Mouth™, assurez-vous de verrouiller les poussoirs moyens et étroits en place. Pour ajouter lentement de l'huile sur les ingrédients, remplissez tout simplement le poussoir étroit de la quantité voulue d'huile. Un petit orifice au bas du poussoir versera l'huile à un rythme constant.



— Large poussoir



Poussoir moyen



Poussoir étroit

Démontage du robot culinaire

⚠️ AVERTISSEMENT

Risque de coupure

Manipulez les lames avec précaution.

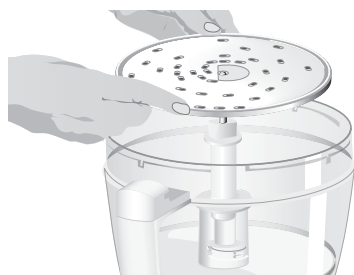
Le non-respect de cette instruction peut causer des coupures.

REMARQUE : Si vous avez de la difficulté à retirer le poussoir de la goulotte, il se peut que de petits aliments se soient bloqués dans le système d'interverrouillage. Pour libérer le poussoir, trempez le couvercle du bol de travail dans de l'eau chaude ou lavez-le au lave-vaisselle.

1. Enfoncez le bouton « OFF » (arrêt).
2. Débranchez le robot culinaire avant de le démonter.
3. Tournez le couvercle du bol de travail vers la gauche et retirez.



4. Si vous utilisez un disque, retirez-le avant de retirer le bol. Placez deux doigts sous chaque côté du disque et relevez-le à la verticale. Retirez la tige du disque.



5. Si vous utilisez le mini-bol ou le bol du chef, agrippez et retirez le bol avec les prises pour les doigts le long du pourtour du bol.



6. Tournez le bol de travail vers la gauche pour le déverrouiller du socle. Soulevez pour retirer.



7. La lame polyvalente peut être retirée du bol de travail avant de vider le contenu. La lame peut aussi rester en place en retirant les aliments : agrippez le bol de travail du bas et placez un doigt à travers l'ouverture centrale pour agripper l'arbre de lame. Retirez ensuite les aliments du bol et la lame avec une spatule.



Nettoyage du robot culinaire

⚠ AVERTISSEMENT

Risque de coupure

Manipulez les lames avec précaution.

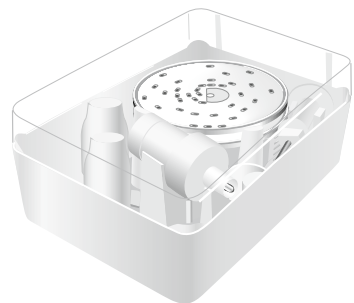
Le non-respect de cette instruction peut causer des coupures.

1. Enfoncez le bouton « OFF » (arrêt).
2. Débranchez le robot culinaire avant le nettoyage.
3. Essuyez le socle et le cordon d'alimentation avec un chiffon chaud et savonneux et essuyez avec un chiffon humide. Asséchez avec un chiffon souple. N'utilisez pas de nettoyeurs abrasifs ou de tampons à récurer.
4. Toutes les autres pièces du robot culinaire conviennent au lave-vaisselle. Assurez-vous de les charger loin des éléments chauffants exposés dans le lave-vaisselle. Si vous lavez les pièces du robot culinaire à la main, évitez d'utiliser des nettoyeurs abrasifs ou des tampons à récurer. Ils peuvent égratigner ou embuer le bol de travail et le couvercle. Asséchez bien toutes les pièces après le lavage.

5. Pour éviter d'endommager le système d'interverrouillage, rangez toujours le bol de travail et le couvercle du bol de travail en position déverrouillée lorsqu'il n'est pas utilisé.



6. Enroulez le cordon d'alimentation autour du bol de travail. Fixez la fiche en la pinçant au cordon.
7. Les disques, arbres et lames démontés devraient être rangés dans le coffret de rangement fourni et dans un endroit hors de portée des enfants.



Dépannage

- **Si votre robot culinaire ne fonctionne pas, vérifiez ce qui suit :**

- Assurez-vous que le bol de travail et le couvercle du bol de travail sont bien verrouillés sur le socle et que le large poussoir est inséré jusqu'à la ligne de remplissage maximum sur la goulotte (environ à moitié du bas).
- Regardez si le robot culinaire est bien branché dans une prise de courant appropriée. Si elle l'est, débranchez le robot culinaire, puis branchez-le dans la même prise à nouveau.

Modèles KFPM770 et KFPM773

⚠ AVERTISSEMENT



Risque de choc électrique

Brancher sur une prise à 3 alvéoles reliée à la terre.

Ne pas enlever la broche de liaison à la terre.

Ne pas utiliser un adaptateur.

Ne pas utiliser un câble de rallonge.

Le non-respect de ces instructions peut causer un décès, un incendie ou un choc électrique.

Modèles KFPW760 et KFPW763

⚠ AVERTISSEMENT



Risque d'incendie

Ne pas utiliser un câble de rallonge.

Le non-respect de cette instruction peut causer un décès, ou un incendie.

- Si le robot de cuisine ne fonctionne toujours pas, vérifiez les fusibles ou le disjoncteur de la maison du circuit électrique où le robot de cuisine est branché et assurez-vous que le circuit est fermé.
- **Si votre robot de cuisine ne tranche pas, ne râpe pas ou ne coupe pas en utilisant le disque :**
 - Assurez-vous que le côté soulevé de la lame du disque est placé face vers le haut sur la tige du disque. Le disque a un bouton soulevé sur le dessus et des rainures sur le dessous pour aider à l'aligner.
- **Si le couvercle de votre robot de cuisine ne se ferme pas en utilisant le disque :**
 - Assurez-vous que le disque est installé correctement, bouton soulevé sur le dessus et qu'il est bien placé sur la tige du disque.

Dépannage

- **Si le robot de cuisine s'éteint en fonctionnant :**

- Le robot de cuisine pourrait surchauffer. Si le moteur dépasse une certaine température, il s'arrête automatiquement pour prévenir les dommages. Ceci devrait être extrêmement rare. Si ceci se produit, appuyez sur le bouton « OFF » (arrêt) et attendez 15 minutes pour que le robot culinaire refroidisse avant de reprendre le travail. Si le robot de cuisine ne fonctionne toujours pas, attendez 15 autres minutes pour qu'il refroidisse.

- **Si vous avez de la difficulté à retirer le poussoir de la goulotte :**

- Les particules alimentaires sont probablement bloquées dans le système d'interverrouillage. Pour libérer le poussoir, trempez le couvercle du bol de travail dans de l'eau chaude ou lavez-le au lave-vaisselle.

Si le problème ne peut pas être corrigé en suivant les étapes de cette section, reportez-vous à la section de Garantie et service KitchenAid des pages 50 à 52. Ne retournez pas le robot de cuisine au détaillant – il ne fournisse pas le service.

Conseils pour la préparation des aliments



UTILISATION DE LA LAME POLYVALENTE

Pour hacher les légumes ou les fruits frais :

Pelez, évidez et/ou retirez les graines ou pépins. Coupez la nourriture en morceaux de 2,5 à 3,8 cm (1 à 1 ½ po). Transformez les aliments à la taille voulue en utilisant de courtes impulsions, d'une à 2 secondes. Grattez les côtés du bol, au besoin.

Pour faire une purée de légumes et fruits cuits (sauf les pommes de terre) :

Ajoutez 60 ml (¼ de tasse) de liquide de la recette par tasse (235 ml) d'aliments. Transformez la nourriture en utilisant de courtes impulsions jusqu'à ce que tout soit haché finement. Transformez ensuite continuellement jusqu'à ce que vous ayez la texture voulue. Grattez les côtés du bol, au besoin.

Pour préparer des pommes de terre en purée :

Insérez le bol du chef dans le bol de travail. Utilisez le disque à râper, râpez les pommes de terre chaudes, cuites. Retirez le bol du chef avec les pommes de terre. Placez la lame polyvalente dans le bol de travail et ajoutez les pommes de terre déchiquetées, le beurre amolli, le lait et les assaisonnements. Faites pulser 3 à 4 fois, pendant 2 à 3 secondes à chaque fois jusqu'à ce que le lait soit absorbé et la texture lisse. Ne transformez pas trop.

Pour hacher les fruits secs (ou collants) :

Les aliments devraient être froids. Ajoutez 60 ml (¼ tasse) de farine de la recette par 120 ml (½ tasse) de fruits secs. Hachez les fruits par courtes impulsions jusqu'à ce que vous ayez la texture voulue.

Conseils pour la préparation des aliments

Pour hacher finement les pelures d'agrumes :

Avec un couteau tranchant, pelez la partie de couleur (sans membrane blanche) de l'agrumes. Coupez la pelure en petites bandes. Traitez jusqu'à ce que le tout soit finement haché.

Pour émincer l'ail ou pour hacher les herbes fraîches ou de petites quantités de légumes :

Faites fonctionner le robot et ajoutez les aliments à travers la goulotte d'alimentation étroite. Traitez jusqu'à ce que le tout soit haché. Pour les meilleurs résultats, assurez-vous que le bol de travail et les herbes sont très secs avant de hacher.

Pour hacher les noix ou préparer des beurres aux noix :

Traitez jusqu'à 710 ml (3 tasses) de noix à la texture désirée en utilisant de courtes impulsions, d'une à 2 secondes à chaque fois. Pour une texture plus grosse, traitez de plus petits lots avec des impulsions 1 ou 2 fois, 1 à 2 secondes à chaque fois. Ajoutez des impulsions plus fréquentes pour une texture plus fine. Pour les beurres de noix, traitez continuellement jusqu'à ce que le tout soit lisse. Rangez dans le réfrigérateur.

Pour hacher des fruits de mer, de la volaille ou des viandes cuits ou crus :

Les aliments devraient être très froids. Coupez en morceaux de 2,5 cm (1 po). Traitez jusqu'à 454 g (1 livre) à la fois jusqu'à la taille voulue en utilisant de courtes impulsions, d'une à 2 secondes à chaque fois. Grattez les côtés du bol, au besoin.

Pour préparer du pain, des biscuits ou des miettes de craquelins :

Brisez les aliments en morceaux de 3,75 à 5 cm (1 1/2 à 2 po). Traitez jusqu'à ce que le tout soit fin. Pour les pièces plus larges, faites pulser 2 à 3 fois, pendant 1 à 2 secondes à chaque fois. Traitez ensuite jusqu'à ce que le tout soit fin.

Pour faire fondre du chocolat dans une recette :

Combinez le chocolat et le sucre de la recette dans le bol de travail. Traitez jusqu'à ce que le tout soit finement haché. Réchauffez le liquide de la recette. Faites fonctionner le robot et versez le liquide chaud à travers la goulotte étroite. Traitez jusqu'à ce que le tout soit lisse.

Pour râper les fromages durs, comme le parmesan ou le romano :

N'essayez jamais de râper le fromage qui ne peut pas être percé par le bout d'un couteau tranchant. Vous pouvez utiliser la lame polyvalente pour râper les fromages durs. Coupez le fromage en morceaux de 2,5 cm (1 po). Placez dans le bol de travail. Transformez en utilisant de courtes impulsions jusqu'à ce que tout soit haché grossièrement. Traitez continuellement jusqu'à ce que le tout soit finement râpé. Des morceaux de fromage peuvent aussi être ajoutés par la goulotte étroite tandis que le robot culinaire fonctionne.



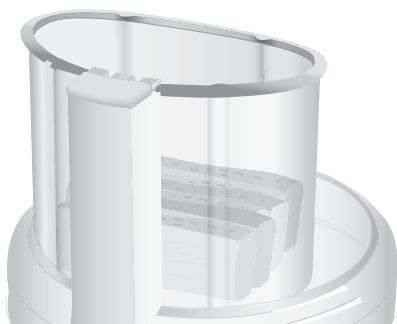
UTILISATION DU DISQUE À COUPER, TRANCHER OU À RÂPER

REMARQUE : En coupant et ajoutant des aliments dans la goulotte Ultra Wide Mouth™, ne dépassez pas la ligne de remplissage maximum. Ceci permettra au poussoir d'engager l'interverrouillage et à l'appareil de fonctionner.

Conseils pour la préparation des aliments

Pour couper des juliennes ou des allumettes, des bandes de légumes et fruits :

Coupez les aliments pour entrer dans la goulotte horizontalement. Placez les aliments horizontalement dans la goulotte. Préparez avec une pression uniforme pour avoir des tranches plates. Remettez les tranches et placez verticalement ou horizontalement dans la goulotte. Préparez avec une pression uniforme.



Pour trancher ou râper des fruits ou des légumes longs et de diamètre assez petit, comme le céleri, les carottes et les bananes :

Coupez les aliments selon la goulotte, verticalement ou horizontalement, et remplissez bien la goulotte pour garder les aliments bien placés. Préparez avec une pression uniforme. Utilisez la goulotte moyenne dans le poussoir à 3 pièces et préparez avec le poussoir moyen (KFPW763 et KFPM773). Vous pouvez aussi utiliser la goulotte étroite dans le poussoir à deux pièces (KFPW760 et KFPM770) ou dans le poussoir à trois pièces. Placez les aliments verticalement dans la goulotte avec la petite extrémité d'abord et la large extrémité traitée à la fin. Utilisez le poussoir étroit pour transformer les aliments.



Pour trancher ou râper des fruits et légumes ronds, comme les oignons, pommes et poivrons verts :

Pelez, évidez et retirez les graines ou pépins. Coupez en deux ou en quatre pour entrer dans la goulotte. Placez dans la goulotte. Préparez avec une pression uniforme.

Pour trancher ou râper des fruits et légumes petits comme les fraises, les champignons et les radis :

Placez les aliments verticalement ou horizontalement en étages dans la goulotte d'alimentation. Remplissez la goulotte pour garder les aliments bien placés, mais ne dépassez pas la ligne de remplissage maximum. Préparez avec une pression uniforme. Utilisez la goulotte moyenne dans le poussoir à 3 pièces et préparez avec le poussoir moyen (KFPW763 et KFPM773). Vous pouvez aussi utiliser la goulotte étroite dans le poussoir à deux pièces (KFPW760 et KFPM770) ou dans le poussoir à trois pièces. Placez les aliments verticalement dans la goulotte et utilisez le poussoir étroit pour transformer les aliments.

Pour râper l'épinard et les autres feuilles :

Empilez les feuilles. Roulez et relevez dans la goulotte. Préparez avec une pression uniforme.



Pour trancher la viande crue ou la volaille, comme les viandes à sauter :

Coupez ou roulez les aliments pour entrer dans la goulotte. Enroulez et congelez les aliments jusqu'à ce qu'ils sont durs au toucher, 30 minutes à 2 heures selon l'épaisseur. Vérifiez pour vous assurer de pouvoir encore percer les aliments avec le bout d'un couteau tranchant. Si non, laissez décongeler un peu. Préparez avec une pression uniforme.

Conseils pour la préparation des aliments

Pour trancher la viande cuite ou la volaille, comme le salami, le pepperoni, etc. :

Les aliments devraient être très froids. Coupez en morceaux pour entrer dans la goulotte. Préparez avec une pression ferme et uniforme.

Pour râper les fromages fermes et mous :

Le fromage ferme devrait être très froid. Pour les meilleurs résultats avec les fromages mous, comme le mozzarella, congelez de 10 à 15 minutes avant de préparer. Coupez pour entrer dans la goulotte. Préparez avec une pression uniforme.

Pour trancher ou râper les articles en forme de poire comme les patates, les aubergines et les courges :

Placez les aliments horizontalement pour que le côté le plus gros/épais soit à gauche de la goulotte lorsque vous êtes face à l'appareil. Préparez avec une pression uniforme sur le poussoir.



UTILISATION DE LA LAME À PÉTRIR

La lame à pétrir est conçue spécialement pour mélanger et pétrir la pâte à levure rapidement et complètement. Pour de meilleurs résultats, ne pétrissez pas les recettes qui utilisent plus de 475 à 710 ml (2 à 3 tasses) de farine.



UTILISATION DU FOUET À OEUFS

Pour préparer une meringue aux blancs d'œuf mous :

Placez 3 blancs d'œufs et 1 ml ($\frac{1}{4}$ cuillerée à thé) de crème de tartre dans le bol de travail avec un fouet à oeufs. Traitez jusqu'à ce que le tout soit mousseux, environ 30 à 45 secondes. Avec le robot en marche, ajoutez lentement 80 ml ($\frac{1}{3}$ de tasse) de sucre par la goulotte étroite. Traitez jusqu'à ce que vous ayez des pointes rigides, environ 2 $\frac{1}{2}$ à 3 minutes. Arrêtez le robot au besoin pour vérifier la texture du mélange.

Pour fouetter la crème :

Placez la crème riche en matière grasse dans le bol de travail avec le fouet à oeufs. Préparez pendant 30 secondes. Faites fonctionner le robot et ajoutez 30 ml (2 cuillerées à table) de sucre en poudre par la goulotte étroite. Traitez jusqu'à ce que des pointes molles se forment, environ 30 à 40 secondes. Arrêtez le robot au besoin pour vérifier la texture du mélange. Avec le robot en marche, ajoutez 2 ml ($\frac{1}{2}$ cuillerée à thé) de vanille, au besoin, par la goulotte étroite. Traitez jusqu'à ce que le tout soit mélangé. Ne transformez pas trop.

⚠️ AVERTISSEMENT

Risque de coupure

Manipulez les lames avec précaution.

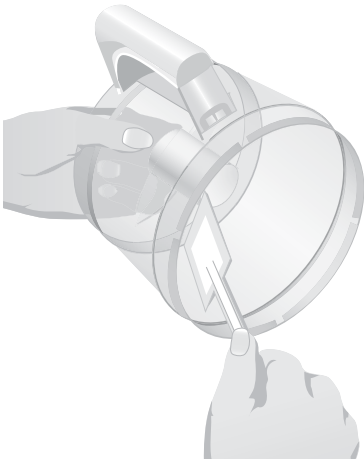
Le non-respect de cette instruction peut causer des coupures.

1. Pour éviter d'endommager la lame ou le moteur, ne traitez pas d'aliments si durs ou congelés si fermement que vous ne pouvez pas les percer avec le bout d'un couteau pointu. Si un aliment dur, tel qu'une carotte, se coince ou se loge sur la lame, arrêtez le robot et retirez la lame. Retirez délicatement les aliments de la lame.
2. En coupant et ajoutant des aliments dans la goulotte Ultra Wide Mouth™, ne dépassez pas la ligne de remplissage maximum. Ceci permettra au large poussoir d'engager l'interverrouillage et à l'appareil de fonctionner.
3. Ne remplissez pas trop le bol de travail ou le mini-bol. Pour les mélanges minces, remplissez le bol de travail jusqu'à ce que ce soit $\frac{1}{2}$ à $\frac{2}{3}$ plein. Pour les mélanges plus épais, remplissez le bol de travail jusqu'à ce que ce soit $\frac{3}{4}$ plein. Pour les liquides, remplissez jusqu'au niveau maximum selon la description de la page 39. En hachant, le bol de travail devrait être rempli tout au plus à $\frac{1}{3}$ à $\frac{1}{2}$. Utilisez le mini-bol pour une quantité jusqu'à 235 ml (1 tasse) de liquide ou 120 ml ($\frac{1}{2}$ tasse) de solides.
4. Placez les disques à trancher pour que la surface de coupe soit à droite de la goulotte. Ceci permet à la lame de tourner entièrement avant d'entrer en contact avec les aliments.
5. Pour utiliser la vitesse du robot, déposez les ingrédients à hacher à travers la goulotte étroite tandis que le robot fonctionne.
6. Différents aliments exigent des niveaux différents de pression pour les meilleurs résultats en tranchant et râpant. En général, utilisez une légère pression pour les aliments délicats, mous (fraises, tomates, etc.), une pression modérée pour les aliments moyens (courgette, pommes de terre, etc.) et une pression plus ferme pour les aliments plus durs (carottes, pommes, fromages durs, viandes partiellement congelées, etc.).
7. Les fromages mous et moyens-durs peuvent être répartis ou roulés sur le disque à râper. Pour éviter ce problème, utilisez seulement les fromages bien froids.
8. Parfois, les aliments minces, comme les carottes ou le céleri, tombent dans la goulotte d'alimentation et alors la tranche est inégale. Pour réduire ce problème, coupez les aliments en plusieurs morceaux et remplissez la goulotte moyenne dans le poussoir à trois pièces avec les aliments (modèles KFPW763 et KFPM773). Pour préparer les petits articles ou les articles minces, la goulotte étroite (tous les modèles) convient particulièrement bien.
9. En préparant un gâteau ou une pâte à biscuits ou à pain rapide, utilisez la lame polyvalente pour crémier d'abord le gras et le sucre. Ajoutez les ingrédients secs à la fin. Placez les noix et les fruits sur le dessus du mélange de farine pour éviter de trop hacher. Préparez les noix et les fruits en utilisant de courtes impulsions jusqu'à ce que vous ayez mélangé les autres ingrédients. Ne transformez pas trop.
10. Lorsque les aliments râpés ou tranchés s'empilent d'un côté du bol, arrêtez le robot et répartissez les aliments avec une spatule.



Conseils utiles

11. Lorsque la quantité d'aliments atteint le bas d'un disque à trancher ou à râper, retirez les aliments.
12. Quelques morceaux plus larges d'aliments peuvent rester sur le dessus du disque après avoir tranché ou émincé. Si vous le désirez, coupez-les à la main et ajoutez au mélange.
13. Organisez les tâches de transformation pour réduire le nettoyage du bol. Préparez les ingrédients fermes et secs avant les ingrédients liquides.
14. Pour nettoyer les ingrédients de la lame polyvalente facilement, videz simplement le bol de travail, replacez le couvercle et utilisez des impulsions de 1 à 2 secondes pour nettoyer la lame.
15. Après avoir retiré le couvercle du bol de travail, placez-le à l'envers sur le comptoir. Ceci aidera à nettoyer le comptoir.
16. Pour retirer le contenu du bol de travail sans retirer la lame polyvalente, agrippez le bol de travail du bas et placez un doigt à travers l'ouverture centrale pour garder la lame en place. Retirez ensuite les aliments du bol et la lame avec une spatule.
17. Votre robot n'est pas conçu pour exécuter les fonctions suivantes :
 - moudre les fèves de café, grains ou épices durs
 - moudre les os ou autres parties des aliments non comestibles
 - liquéfier les fruits ou légumes crus
 - trancher les oeufs cuits durs ou les viandes non refroidies
18. Si des pièces de plastique se décolorent à cause des types d'aliments préparés, nettoyez-les avec du jus de citron.



Garantie du robot culinaire KitchenAid®

Durée de la garantie :	KitchenAid prendra en charge :	KitchenAid ne prendra pas en charge :
<p>50 États des États-Unis, le district fédéral de Columbia, le Canada et Puerto Rico : Garantie limitée d'un an à compter de la date d'achat.</p>	<p>Dans les 50 États des États-Unis, le district fédéral de Columbia et au Canada, le remplacement de votre robot culinaire sans aucune difficulté. Consultez la page suivante pour savoir comment faire pour le remplacer. OU À Puerto Rico : Les coûts des pièces de rechange et de main-d'œuvre pour corriger les défauts de matériaux et de main-d'œuvre. Le service après-vente doit être assuré par un Centre de réparation autorisé KitchenAid. Pour obtenir une réparation, suivez les directives de la page 52.</p>	<p>A. Les réparations nécessaires à cause d'une utilisation du robot culinaire dans un contexte autre qu'un foyer unifamilial normal.</p> <p>B. Les dommages attribuables aux causes suivantes : un accident, une modification, la mauvaise utilisation, un emploi abusif ou une utilisation non approuvée par KitchenAid.</p> <p>C. Les coûts des pièces de rechange et de main-d'œuvre pour la réparation du robot culinaire s'il est utilisé à l'extérieur du pays d'achat.</p>

FRANÇAIS

DÉSARMEUR DE GARANTIE TACITE, LIMITATION DES RECOURS LES GARANTIES TACITES, Y COMPRIS DANS LA MESURE APPLICABLE LES GARANTIES DE QUALITÉ MARCHANDE OU D'APTITUDE À UN EMPLOI PARTICULIER, SONT EXCLUES DANS LA MESURE AUTORISÉE PAR LA LOI. TOUTE GARANTIE TACITE IMPOSÉE PAR LA LOI EST LIMITÉE À UN AN, OU LA DURÉE MINIMUM PERMISE PAR LA LOI. PUISQUE CERTAINES ÉTATS ET PROVINCES NE PERMETTENT PAS L'EXCLUSION OU LA LIMITATION DE DURÉE DES GARANTIES IMPLICITES DE QUALITÉ MARCHANDE OU D'APTITUDE À UN EMPLOI PARTICULIER, LES LIMITATIONS CI-DESSUS PEUVENT DONC NE PAS S'APPLIQUER À VOUS.

SI CET APPAREIL NE FONCTIONNE PAS COMME GARANTI, LE SEUL ET EXCLUSIF RECOURS DES CLIENTS EST LA RÉPARATION OU LE REMPLACEMENT SELON LES DISPOSITIONS DE LA GARANTIE LIMITÉE. KITCHENAID ET KITCHENAID CANADA N'ASSUMENT AUCUNE RESPONSABILITÉ EN CAS DE DOMMAGES ACCESSOIRES OU INDIRECTS. Cette garantie vous confère des droits spécifiques auxquels peuvent s'ajouter d'autres droits variant d'un état ou d'une province à l'autre.

Garantie de satisfaction totale et de remplacement — 50 États des États-Unis, district fédéral de Columbia

Nous sommes tellement sûrs que la qualité de nos produits satisfait aux normes exigeantes de KitchenAid que, si votre robot culinaire tombe en panne au cours de la première année, KitchenAid livrera gratuitement un appareil identique ou comparable à votre domicile et assumera la responsabilité de récupérer le robot culinaire original. L'appareil de rechange sera également couvert par notre garantie limitée d'un an. Veuillez suivre ces instructions pour recevoir ce service de qualité.

Si votre robot culinaire KitchenAid® tombe en panne durant la première année, il vous suffit d'appeler le numéro sans frais 1-800-541-6390 du Centre de satisfaction

de la clientèle du lundi au vendredi de 8 h à 20 h (heure de l'Est) ou le samedi de 10 h à 17 h. Donnez votre adresse d'expédition complète à notre conseiller. (Pas de boîte postale, s'il vous plaît!).

À la réception du robot culinaire de rechange, utilisez le carton et les matériaux d'emballage pour emballer le robot culinaire original. Écrivez vos nom et adresse sur une feuille de papier et mettez-la dans le carton avec une copie de la preuve d'achat (reçu de caisse, facture de règlement par carte de crédit, etc.)

Garantie de satisfaction totale et de remplacement — Canada

Nous sommes tellement sûrs que la qualité de nos produits satisfait aux normes exigeantes de KitchenAid que, si votre robot culinaire tombe en panne au cours de la première année, KitchenAid Canada le remplacera par un appareil identique ou comparable. L'appareil de rechange sera également couvert par notre garantie limitée d'un an. Veuillez suivre ces instructions pour recevoir ce service de qualité.

Si votre robot culinaire KitchenAid® tombe en panne au cours de la première année, emportez-le ou envoyez-le port dû à un Centre de réparation KitchenAid Canada

autorisé. Écrivez vos nom et adresse d'expédition complète sur une feuille de papier et mettez-la dans le carton avec une copie de la preuve d'achat (reçu de caisse, facture de règlement par carte de crédit, etc.). Le robot culinaire de rechange sera expédié port prépayé et assuré. Si ce service ne vous satisfait pas, appelez le numéro sans frais du Centre d'expérience à la clientèle : 1-800-807-6777.

Ou écrivez à :
Centre d'expérience à la clientèle
KitchenAid Canada
1901 Minnesota Court
Mississauga, (Ont.) L5N 3A7

Comment obtenir une réparation sous garantie à Puerto Rico

Votre robot culinaire KitchenAid® est couvert par une garantie limitée d'un an à partir de la date d'achat. KitchenAid prendra en charge le coût des pièces de rechange et de main-d'oeuvre pour corriger les vices de matériaux et de fabrication. Le service après-vente doit être assuré par un Centre de réparation autorisé de KitchenAid.

Emportez le robot culinaire ou envoyez-le port payé et assuré à un Centre de réparation autorisé de KitchenAid. Le robot culinaire réparé vous sera retourné port prépayé et assuré. Si ce service ne vous satisfait pas, appelez le numéro sans frais 1-800-541-6390 pour obtenir l'adresse d'un Centre de réparation près de chez vous.

Comment obtenir une réparation hors garantie — tous les territoires

Avant d'appeler pour faire réparer l'appareil, consultez la section Dépannage de la page 43.

Pour obtenir de l'information sur les réparations dans les 50 États des États-Unis, le district fédéral de Columbia et Puerto Rico, appelez le numéro sans frais 1-800-541-6390.

Ou écrivez à :
Customer Satisfaction Center
KitchenAid Portable Appliances
P.O. Box 218
St. Joseph, MI 49085-0218

Ou contactez un Centre de réparation autorisé près de chez vous.

Pour obtenir de l'information sur les réparations au Canada, appelez le numéro sans frais 1-800-807-6777.

Ou écrivez à :
Centre d'eXpérience à la clientèle
KitchenAid Canada
1901 Minnesota Court
Mississauga, ON L5N 3A7

Comment obtenir une réparation en dehors de ces territoires

Demandez à votre distributeur local KitchenAid ou au détaillant chez qui vous avez acheté le robot culinaire où s'adresser pour le faire réparer.

Pour obtenir des renseignements sur les services de réparation au Mexique,

appelez le numéro sans frais
01-800-024-17-17
(JV Distribuciones)

ou

01-800-902-31-00
(Industrias Birtman)

Comment commander des accessoires et des pièces de rechange

Pour commander des accessoires ou des pièces de rechange pour le robot culinaire dans les 50 États des États-Unis, dans le district fédéral de Columbia et à Puerto-Rico, appelez sans frais le 1-800-541-6390 du lundi au vendredi, de 8 h à 20 h (heure de l'Est), le samedi de 10 h à 17 h.

Ou écrivez à :
Customer Satisfaction Center
KitchenAid Portable Appliances
P.O. Box 218
St. Joseph, MI 49085-0218

Pour commander des accessoires ou des pièces de rechange pour le robot culinaire au Canada, appelez le numéro sans frais 1-800-807-6777.

Ou écrivez à :
Centre d'expérience à la clientèle
KitchenAid Canada
1901 Minnesota Court
Mississauga, ON L5N 3A7

Pour commander des accessoires ou des pièces de rechange pour le robot culinaire au Mexique, appelez le numéro sans frais 01-800-024-17-17 (JV Distribuciones)

ou
01-800-902-31-00
(Industrias Birtman)

**Accessoires pour les modèles de 2,8 L
(12 tasses) KFPW760, KFPW763,
KFPM770 et KFPM773 :**

Lames et disques

Lame polyvalente	KFP72BL
Lame à pétrir	KFP72DB
Mini-lame (pour mini-bol)	KFP7MBL
Disque à trancher de 2 mm (fin)	KFP7SL2
Disque à râper de 2 mm (fin)	KFP7SH2
Disque à trancher de 4 mm (moyen)	KFP7SL4
Disque à râper de 4 mm (moyen)	KFP7SH4
Disque à trancher de 6 mm (épais)	KFP7SL6
Disque à râper de 6 mm (épais)	KFP7SH6
Disque à julienne	KFP7JU
Disque de coupe de frites	KFP7FF
Disque râpeur de parmesan/glacé	KFP7PI
Ensemble de 5 disques	KFP7DS
• Trancher 6 mm	
• Râper 6 mm	
• Frites	
• Julienne	
• Râpeur de parmesan/glacé	

Bols et couvercles

Couvercle de bol de travail avec goulotte à ouverture ultra large Ultra Wide Mouth™	KFP7WWC
Bol de travail (2,8 L [12 tasses])	KFP72WB
Mini-bol (945 ml [4 tasses]) à couvercle de rangement	KFP7MB
Bol de chef (2,4 L [10 tasses])	KFP72CB

Accessoires de spécialité

Fouet à œufs	KFP72EW
Presse-agrumes	KFP7CP

Autres accessoires

Poussoir à 2 pièces pour la goulotte à ouverture ultra large Ultra Wide Mouth™	KFP7WP
Poussoir à 3 pièces pour la goulotte à ouverture ultra large Ultra Wide Mouth™	KFPTPP
Spatule/outil de nettoyage	KFP7SP
Coffret d'accessoires de chef	KFP7SC

Tabla de contenidos

INTRODUCCIÓN

Comprobante de compra y registro del producto.....	Interior de la tapa
Seguridad con el procesador de alimentos.....	57
Medidas de seguridad importantes.....	58
Requerimientos eléctricos.....	59

CARACTERÍSTICAS Y OPERACIÓN

Características del procesador de alimentos	60
Preparación del procesador de alimentos para su uso	
Antes del primer uso	62
Ensamblaje del tazón de tareas	62
Ensamblaje de la cuchilla multipropósito y de la cuchilla para masa	63
Ensamblaje del disco para rebanar, rallar y cortar	63
Ensamblaje del minitazón	64
Ensamblaje del tazón del chef	64
Ensamblaje y uso del batidor de huevos	65
Ensamblaje y uso del exprimidor de cítricos	65
Uso del procesador de alimentos	
Antes de usar	67
Bloqueo del embudidor de alimentos	67
Nivel máximo de líquido	67
Encendido y apagado del procesador de alimentos	67
Uso del control de pulsos	68
El embudidor de alimentos de 2 piezas y 3 piezas.....	68
Desensamblado del procesador de alimentos.....	69

CUIDADO Y LIMPIEZA

Limpieza del procesador de alimentos.....	70
Resolución de problemas	71

Continúa en la página siguiente

Tabla de contenidos

CONSEJOS PARA PROCESAR ALIMENTOS

Uso de la cuchilla multipropósito.....	72
Uso del disco para rebanar, rallar o cortar.....	73
Uso de la cuchilla para masa.....	75
Uso del batidor de huevos.....	75
Ideas útiles.....	76

GARANTÍA E INFORMACIÓN DE SERVICIO

Garantía del procesador de alimentos KitchenAid®.....	78
Garantía de reemplazo sin molestias – en los 50 Estados Unidos y el Distrito de Columbia.....	79
Garantía de reemplazo sin molestias – Canadá.....	79
Cómo ordenar el servicio de garantía en Puerto Rico.....	79
Cómo ordenar el servicio luego de la expiración de la garantía – en todas las localidades.....	80
Cómo ordenar el servicio fuera de estas localidades.....	80
Cómo ordenar accesorios y piezas de repuesto.....	81

Seguridad con el procesador de alimentos

Su seguridad y la seguridad de los demás es muy importante.

Hemos incluido muchos mensajes importantes de seguridad en este manual y en su electrodoméstico. Lea y obedezca siempre todos los mensajes de seguridad.



Este es el símbolo de advertencia de seguridad.

Este símbolo le llama la atención sobre peligros potenciales que pueden ocasionar la muerte o una lesión a usted y a los demás.

Todos los mensajes de seguridad irán a continuación del símbolo de advertencia de seguridad y de la palabra "PELIGRO" o "ADVERTENCIA". Estas palabras significan:

! PELIGRO

Si no sigue las instrucciones de inmediato, usted puede morir o sufrir una lesión grave.

! ADVERTENCIA

Si no sigue las instrucciones, usted puede morir o sufrir una lesión grave.

Todos los mensajes de seguridad le dirán el peligro potencial, le dirán cómo reducir las posibilidades de sufrir una lesión y lo que puede suceder si no se siguen las instrucciones.

MEDIDAS DE SEGURIDAD IMPORTANTES

Cuando use aparatos eléctricos, debe seguir siempre medidas de seguridad básicas, incluyendo las siguientes:

1. Lea todas las instrucciones.
2. Para protegerse contra el riesgo de una descarga eléctrica, no ponga el procesador de alimentos en agua u otros líquidos.
3. Una atenta supervisión es necesaria cuando cualquier aparato es usado por o cerca de niños.
4. Desconecte del tomacorriente cuando no lo esté usando, antes de poner o quitar las piezas, o antes de limpiar.
5. Evite el contacto con piezas en movimiento.
6. No use ningún aparato con un cable o enchufe dañado, o luego de que el aparato falle, o haya sido botado o dañado en cualquier manera. Regrese el aparato a la facilidad de servicio autorizada más cercana para un examen, reparación o ajuste eléctrico o mecánico.
7. El uso de accesorios no recomendados o vendidos por KitchenAid puede ocasionar incendios, choque eléctrico o lesiones.
8. No use en exteriores.
9. No deje que el cable cuelgue de la orilla de la mesa o del mostrador.
10. Mantenga las manos y utensilios alejados de las cuchillas o discos en movimiento mientras procesa alimentos, para reducir el riesgo de lesiones severas a personas o daños al procesador de alimentos. Un raspador podría ser utilizado pero debe utilizarse sólo cuando el procesador de alimentos no esté encendido.
11. Las cuchillas son filosas. Manéjelas con cuidado.
12. Para reducir el riesgo de lesiones, nunca coloque la cuchilla para cortar o los discos en la base sin antes colocar el tazón adecuadamente en su lugar.
13. Asegúrese que la tapadera esté firmemente trabada en su lugar antes de usar el aparato.
14. Nunca agregue alimentos con la mano. Use siempre el embudidor de alimentos.
15. No intente vencer el mecanismo de interbloqueo de la tapa.
16. Este producto está diseñado para uso en el hogar únicamente.

GUARDE ESTAS INSTRUCCIONES

Requerimientos eléctricos

⚠ ADVERTENCIA



Peligro de Choque Eléctrico

Conecte a un contacto de pared de conexión a tierra de 3 terminales.

No quite la terminal de conexión a tierra.

No use un adaptador.

No use un cable eléctrico de extensión.

No seguir estas instrucciones puede ocasionar la muerte, incendio o choque eléctrico.

Modelos KFPM770 y KFPM773:

Voltios: 120 V.C.A.
Hertz: 60 Hz

NOTA: los modelos KFPM770 y KFPM773 tienen un enchufe de 3 patas con descarga a tierra. Para reducir el riesgo de descarga eléctrica, este enchufe calzará en el tomacorriente solamente de una manera. Si el enchufe no calza en el tomacorriente, contacte a un electricista calificado. No modifique el enchufe de ninguna manera.

No use una extensión. Si el cable de alimentación es demasiado corto, solicite a un electricista calificado o una persona de servicio técnico que le instale un enchufe cerca del aparato.

⚠ ADVERTENCIA



Peligro de Incendio

No use un cable eléctrico de extensión.

No seguir esta precaución puede ocasionar la muerte, o incendio.

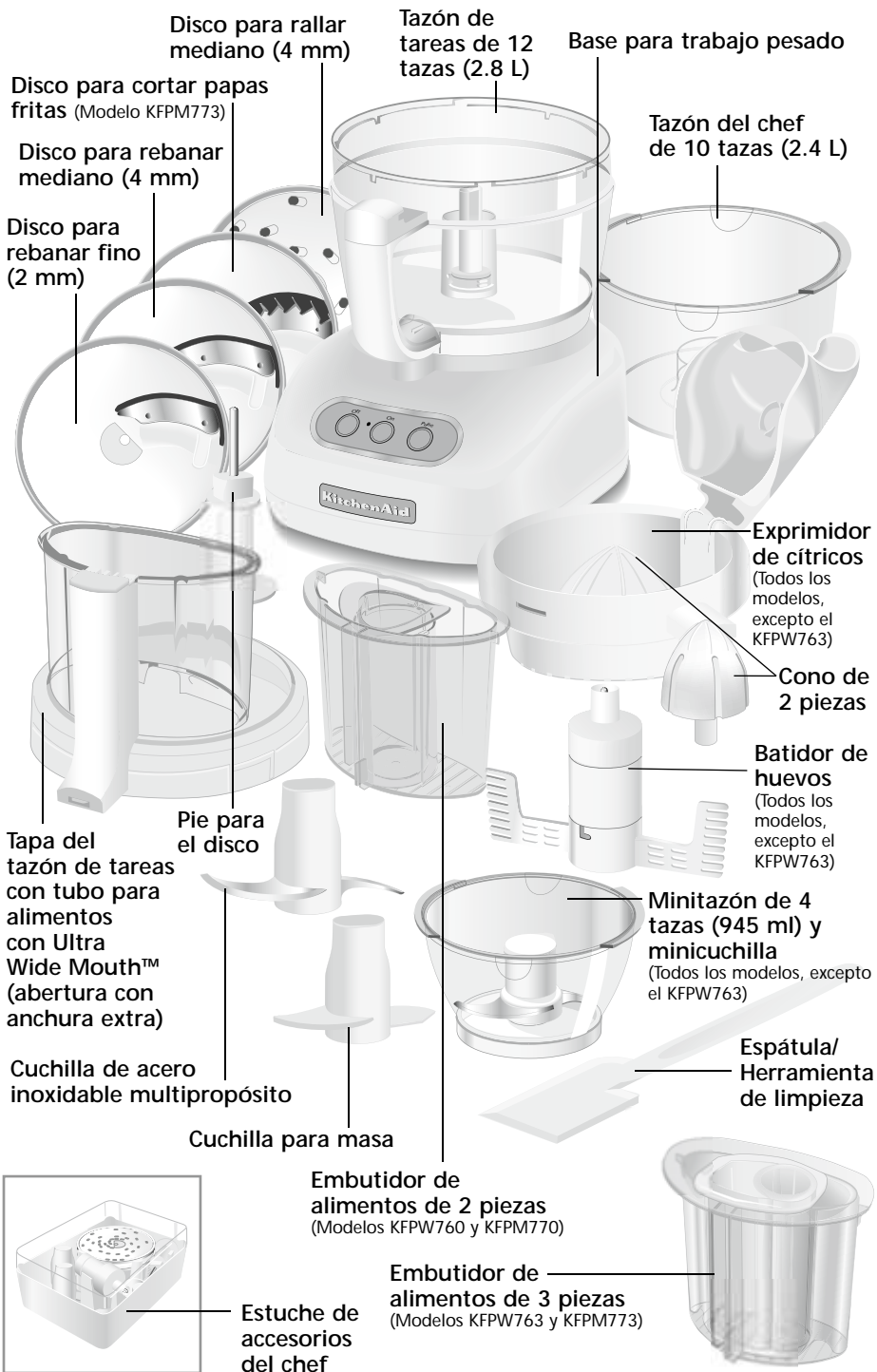
Modelos KFPW760 y KFPW763:

Voltios: 120 V.C.A.
Hertz: 60 Hz

NOTA: Los modelos KFPW760 y KFPW763 tienen un enchufe polarizado (una pata es más ancha que la otra). Para reducir el riesgo de descarga eléctrica, este enchufe sólo entrará en un tomacorriente polarizado de una sola manera. Si el enchufe no calza perfectamente en el tomacorriente, dé vuelta el enchufe. Si aún así no calza, contacte a un electricista calificado. No modifique el enchufe de ninguna manera.

No use una extensión. Si el cable de alimentación es demasiado corto, solicite a un electricista calificado o una persona de servicio técnico que le instale un enchufe cerca del aparato.

Características del procesador de alimentos



ESPAÑOL

Características del procesador de alimentos

Tapa del tazón de tareas con tubo para alimentos con Ultra Wide Mouth™

Uno de los más grandes de la industria, el tubo para alimentos con Ultra Wide Mouth™, permite insertar productos grandes, como tomates, pepinos y papas, con un mínimo corte o rebano.

Embutidor de alimentos de 2 piezas (Modelos KFPW760 y KFPM770)

Para productos más pequeños, quite el embutidor angosto del tubo central en el embutidor más grande. El embutidor angosto y el tubo para alimentos facilitan el procesado de hierbas, nueces, zanahorias y apio. El embutidor angosto también se puede usar como una conveniente taza medidora de 4 onzas (120 ml).

Embutidor de alimentos de 3 piezas (Modelos KFPW763 y KFPM773)

Hay tres embutidores puestos uno dentro del otro para ofrecer una mayor variedad de opciones de tubo para alimentos. Quite el embutidor mediano del embutidor más grande para dejar al descubierto un tubo para alimentos para procesamiento continuo. Para procesar continuamente productos más pequeños (como hierbas, nueces, zanahorias y apio), quite el embutidor más angosto y utilice el tubo para alimentos angosto. El embutidor mediano, cuando se quita el embutidor más angosto, se puede usar como una conveniente taza medidora de 4 onzas (120 ml). Un orificio pequeño en la parte inferior del embutidor angosto facilita la incorporación de aceite a los ingredientes. Sólo llene con la cantidad deseada de aceite.

Tazón de tareas de 12 tazas (2.8 L)

El tazón grande y resistente tiene capacidad para trabajos importantes.

Tazón del chef de 10 tazas (2.4 L)

Coloque el tazón del chef dentro del tazón de tareas y rebane o ralle un producto mientras mantiene el tazón de tareas limpio para otro ingrediente.

Minitazón de 4 tazas (945 ml) y minicuchilla (todos los modelos, excepto el KFPW763)

El minitazón y la minicuchilla de acero inoxidable son perfectos para cortar y mezclar pequeñas cantidades.

Disco para rebanar fino (2 mm)

El disco produce rebanadas de aproximadamente $\frac{1}{16}$ pulgadas (2 mm) de la mayoría de los alimentos, desde delicadas frutillas hasta carnes parcialmente congeladas.

Disco para rebanar mediano (4 mm)

El disco produce cortes de aproximadamente $\frac{1}{8}$ pulgadas (4 mm) de la mayoría de los alimentos.

Disco para rallar mediano (4 mm)

El disco produce rebanadas de aproximadamente $\frac{1}{8}$ pulgadas (4 mm) de la mayoría de las frutas firmes, vegetales y queso.

Disco para cortar papas fritas (Modelo KFPM773)

El disco produce bastones gruesos de papas, de aproximadamente $\frac{1}{2}$ x $\frac{1}{4}$ pulgadas (8.5 mm x 6.5 mm) y de otras frutas y vegetales firmes.

Pie para el disco

El pie se coloca sobre el eje impulsor en la base y en la parte inferior de un disco de rebano o rallado mediano.

Cuchilla multipropósito de acero inoxidable

La cuchilla versátil corta, rebana, integra, mezcla y emulsiona en cuestión de segundos.

Cuchilla para masa

La cuchilla para masa está especialmente diseñada para mezclar y amasar masa de levadura.

Batidor de huevos (Todos los modelos, excepto el KFPW763)

El batidor de huevos batirá rápidamente crema y claras de huevos para merengues, mousses, soufflés y postres.

Continúa en la página siguiente

Características del procesador de alimentos

Exprimidor de cítricos (Todos los modelos, excepto el KFPW763)

El exprimidor consiste en un colador, un cono de 2 piezas y un brazo palanca. Use el cono removible exterior para productos más grandes, tales como pomelos, y el cono interior para limones y limas.

Base para trabajo pesado

La base tiene los botones de apagado, encendido y de pulso, junto con el eje impulsor que hace rotar las cuchillas y los discos.

Espátula/Herramienta de limpieza

Su forma especial facilita la remoción de los alimentos de los tazones, los discos y las cuchillas.

Estuche de accesorios del chef

El estuche de líneas delgadas, duradera y con un diseño moderno, organiza y protege las cuchillas, los discos y los accesorios.

Preparación del procesador de alimentos para su uso

⚠ ADVERTENCIA

Peligro de Cortaduras

Manipule las cuchillas con cuidado.

No seguir esta instrucción puede ocasionar cortaduras.

Antes del primer uso

Antes de usar su procesadora de alimentos por primera vez, lave el tazón de tareas, la tapa del tazón de tareas, el tazón del chef, el minitazón, los embutidores del tubo para alimentos, los discos y las cuchillas, ya sea a mano o en el lavavajillas (consulte "Limpieza del procesador de alimentos", en la página 70).

Ensamblaje del tazón de tareas

1. Coloque la base del procesador de alimentos en un mostrador seco y nivelado, con los controles hacia el frente. No enchufe la unidad hasta que esté ensamblada por completo.
2. Con la agarradera un poco hacia la izquierda del centro, ubique el tazón de tareas sobre la base, colocando la abertura central sobre el eje impulsor.

3. Tome la agarradera del tazón de tareas y gire el tazón hacia la derecha hasta que quede fijo en su posición.



4. Inserte el accesorio deseado dentro del tazón de tarea. Consulte las páginas 63 a 66 para encontrar las instrucciones de los accesorios.

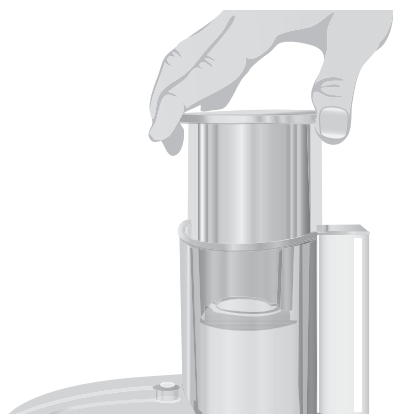
Preparación de la procesadora de alimentos para su uso

- Coloque la tapa del tazón de tareas sobre éste para que el tubo para alimentos quede a la izquierda de la agarradera del tazón. Tome el tubo para alimentos y gire la tapa hacia la derecha hasta que quede fija en su lugar.



NOTA: Para evitar que el tazón se dañe, no coloque la tapa en el tazón antes de que éste se encuentre fijo en la base.

- Coloque el embudidor de alimentos de 2 piezas (en los modelos KFPW760 y KFPM770) o el embudidor de alimentos de 3 piezas (en los modelos KFPW763 y KFPM773) en el tubo para alimentos Ultra Wide Mouth™.



NOTA: El procesador no funcionará, a menos que el tazón de tareas y su tapa se encuentren fijados correctamente en la base y el embudidor grande esté insertado hasta la línea de llenado máximo en el tubo para alimentos (aproximadamente hasta la mitad).

Para evitar que el tazón de tareas se dañe, no lo quite de la base sin antes haber quitado la tapa.

Ensamblaje de la cuchilla multipropósito y de la cuchilla para masa

- Coloque la cuchilla sobre el eje impulsor.
- Rote la cuchilla para que quede en su lugar sobre el eje impulsor.



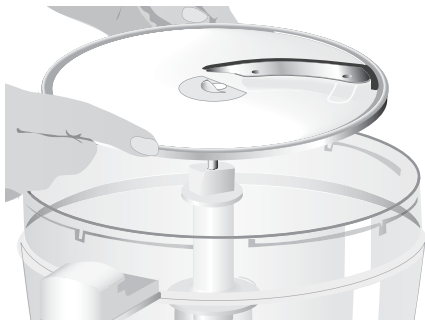
Ensamblaje del disco para rebanar, rallar y cortar

- Coloque el pie para el disco sobre el eje impulsor.



Preparación del procesador de alimentos para su uso

2. Coloque el disco sobre el vástago de metal en el pie para el disco, con el lado de la cuchilla hacia arriba. El disco tiene una protuberancia en la parte superior y ranuras por debajo para ayudar a alinearlo en la posición correcta. Rote el disco hasta que quede completamente acoplado al pie.



2. Coloque la minicuchilla sobre el eje impulsor. Puede ser necesario hacer girar la cuchilla hasta que quede en su lugar. También se puede colocar el tazón pequeño dentro del tazón del chef de manera similar.



3. Para quitar el minitazón luego de procesar, levante el tazón colocando los dedos en dos muescas ubicadas en el borde del tazón.

Ensamblaje del minitazón

1. Coloque el minitazón dentro del tazón de tareas sobre el eje impulsor. Rote el minitazón hasta que quede en su lugar. Cuando el tazón del chef está asentado correctamente en el tazón de tareas, el minitazón no se puede girar.



Ensamblaje del tazón del chef

Coloque el tazón del chef dentro del tazón de tareas sobre el eje impulsor. Rote el tazón del chef hasta que quede en su lugar. Cuando el tazón del chef está asentado correctamente en el recipiente de trabajo, ya no se podrá girar.

Sólo se puede usar el tazón del chef con los discos para rebanar, rallar y cortar. No se puede usar la cuchilla multipropósito. Para quitar el tazón del chef luego de procesar, levante el tazón colocando los dedos en las muescas ubicadas en el borde superior del tazón.

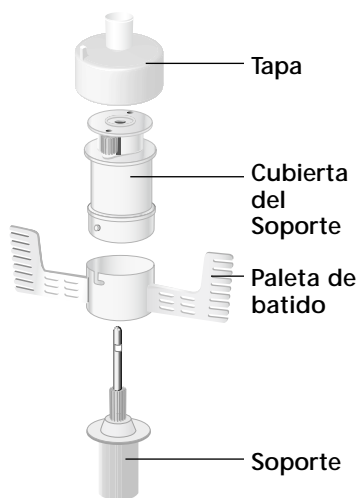
Preparación del procesador de alimentos para su uso

Ensamblaje y uso del batidor de huevos

El batidor de huevos está diseñado para batir claras de huevo o crema doble, para crear baños o merengues suaves. Para obtener los mejores resultados, debe batir, por lo menos, 1 taza (235 ml) de crema doble o 3 claras de huevo al mismo tiempo. Si bate menos cantidad, es posible que no obtenga el máximo volumen.

Para ensamblar:

El batidor de huevos consta de 4 piezas: el soporte del batidor de huevos, la tapa del soporte, la paleta de batido y la tapa.



1. Coloque el soporte del batidor de huevos sobre el eje impulsor. Haga girar el soporte lentamente hasta que caiga completamente sobre el eje impulsor.
2. Alinee la muesca en forma de "L" en la paleta de batido con la pequeña protuberancia en la cubierta del soporte y deslice la paleta sobre la cubierta. Gire levemente para fijar la paleta.
3. Coloque la cubierta del soporte y la paleta sobre el soporte del batidor de huevos. Empuje hacia abajo para hacer calzar los surcos del soporte con los dientes de la paleta.
4. Coloque la tapa sobre el soporte del batidor de huevos. Empuje hacia abajo para fijarlo en su lugar.

5. Coloque la tapa del tazón de tareas sobre éste para que el tubo para alimentos quede a la izquierda de la agarradera. Asegúrese de que el vástago central del batidor calce en la abertura central de la cubierta. Tome el tubo para alimentos y gire la tapa hacia la derecha para fijarla en su lugar. Inserte el presionador en el tubo para alimentos. Ahora, el batidor está listo para ser usado.
6. Presione el botón de encendido (ON) y bata los ingredientes hasta que adquieran la textura y el volumen deseados. Presione el botón de apagado (OFF) cuando termine.

Para desensamblar:

1. Desenchufe el procesador.
2. Quite la tapa del tazón de tareas girándola en sentido horario.
3. Retire el batidor del eje impulsor. Quite los ingredientes batidos del tazón de tareas.
4. Retire la tapa del batidor de huevos. Empuje hacia abajo sobre el vástago del soporte para quitar el soporte de la cubierta. Haga girar la paleta del batidor para desbloquearla y deslicela para liberarla de la cubierta del soporte.

Ensamblaje y uso del exprimidor de cítricos

1. Posicione y fije el tazón de tareas en la base.
2. Coloque el colador en el tazón con el gancho de fijación a la izquierda de la agarradera del tazón de tareas.
3. Haga girar el colador hacia la izquierda hasta que el gancho se trabe en la agarradera.

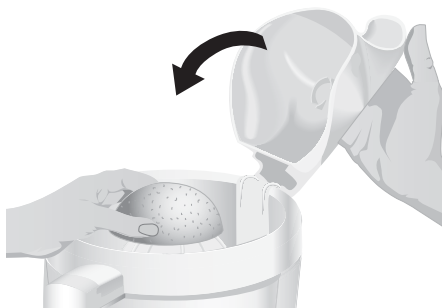


Preparación del procesador de alimentos para su uso

4. El cono de 2 piezas ofrece dos tamaños; elija el tamaño correcto para la fruta que esté exprimiendo. Utilice el cono exterior para pomelos, naranjas y otras frutas grandes. Quite el cono exterior para dejar a la vista un cono interno más pequeño que es perfecto para limones y limas.
5. Abra la tapa y coloque el cono dentro del colador sobre el eje impulsor. Puede ser necesario hacer girar el cono hasta que quede en su lugar.



6. Corte la fruta que va a exprimir al medio.
7. Coloque la mitad de la fruta sobre el cono.
8. Cierre la tapa del colador. Mantenga presionado el brazo palanca firmemente con la palma abierta para ejercer presión de manera pareja. Sólo utilice el exprimidor de cítricos cuando el brazo palanca se encuentre hacia abajo, sosteniendo la fruta sobre el cono.



9. Accione el exprimidor de cítricos presionando el botón de encendido (ON) o el botón de pulso (PULSE).
10. Cuando se haya extraído todo el jugo, presione el botón de apagado (OFF).

NOTA: No exceda el nivel máximo de líquido en el tazón de tareas, o se derramará jugo del tazón.

11. Desenchufe el procesador.
12. Desbloquee el colador haciéndolo girar hacia la derecha. Quite el jugo de frutas, el cono y el colador del tazón de tareas.
13. Quite el tazón de tareas de el procesador y vierta el jugo en el contenedor deseado.
14. Para quitar el brazo palanca ajustable del colador a fin de realizar una limpieza profunda, tire del gancho en la parte inferior del colador y apártelo del lado del colador y quite el brazo palanca del colador.
15. Cuando vuelva a ajustar el brazo palanca al colador, asegúrese que las presillas del gancho se ajusten con seguridad en un par de orificios que se encuentran en la parte inferior del colador.

NOTA: No se recomienda usar el exprimidor de cítricos sin el brazo palanca ajustable. Si lo usa sin el brazo palanca, quítelo del colador (consulte el Paso 14).

Uso del procesador de alimentos

⚠️ ADVERTENCIA



Peligro con las Cuchillas Giratorias

Siempre utilice el empujador de alimentos.

Mantenga los dedos fuera de las aberturas.

Mantenga fuera del alcance de los niños.

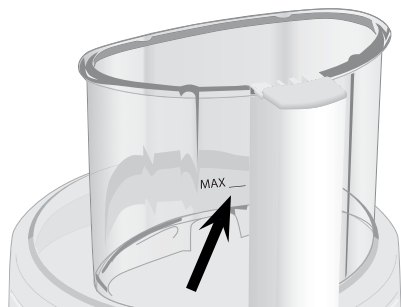
No seguir estas instrucciones puede ocasionar amputación o cortaduras.

Antes de usar

Antes de poner en funcionamiento el procesador de alimentos, asegúrese de que el tazón de tareas, las cuchillas y la tapa del tazón estén ensamblados correctamente en la base de el procesador (consulte "Preparación del procesador para su uso", a partir de la página 62).

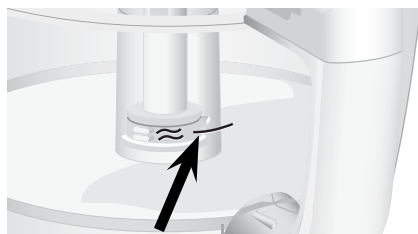
Bloqueo del embudidor de alimentos

El embudidor de alimentos es parte del sistema de bloqueo de seguridad. El procesador no funcionará, a menos que el embudidor grande esté insertado hasta la línea de llenado máximo en el tubo para alimentos (aproximadamente hasta la mitad).



Nivel máximo de líquido

Esta línea en el tazón de tareas indica el nivel máximo de líquido que se puede procesar en el procesador de alimentos.



Encendido y apagado del procesador de alimentos

1. Para encender el procesador, presione el botón de encendido (ON). La unidad funcionará continuamente, y la luz indicadora estará encendida.



2. Para detener el procesador, presione el botón de apagado (OFF). La luz indicadora se apagará y un freno automático detendrá el funcionamiento de la cuchilla o el disco en cuestión de segundos.
3. Espere hasta que la cuchilla o el disco se hayan detenido por completo antes de quitar la tapa del tazón. Asegúrese de apagar el procesador antes de quitar la tapa del tazón de tareas o antes de desconectar la unidad.

NOTE: Si la unidad no funciona, asegúrese de que el tazón de tareas y su tapa se encuentren fijados correctamente en la base y de que el embudidor grande esté insertado hasta la línea de llenado máximo en el tubo para alimentos (consulte "Preparación del procesador de alimentos para su uso", a partir de la página 62).

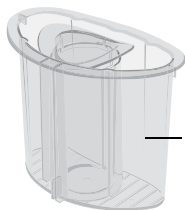
Uso del procesador de alimentos

Uso del control de pulsos

El control de pulso permite controlar de manera precisa la duración y la frecuencia de procesado. Es perfecto para trabajos que requieren apenas un leve toque. Sólo mantenga presionado el botón de pulso (PULSE) para comenzar a procesar y suéltelo para dejar de hacerlo. La luz indicadora se encenderá cada vez que presione este botón.

El embudidor de alimentos de 2 piezas (Modelos KFPW760 y KFPW770)

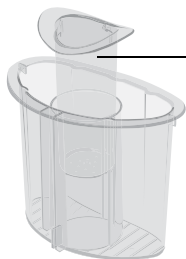
Para rebanar o rallar productos pequeños, inserte el embudidor de alimentos de 2 piezas en el tubo para alimentos Ultra Wide Mouth™. Luego, haga girar el embudidor angosto central en sentido horario para desbloquearlo y quitarlo. Use el tubo para alimentos y el embudidor angostos para procesar productos pequeños o delgados, o para agregar líquido mientras el procesador está funcionando. Cuando no use el tubo angosto para alimentos, fije el embudidor angosto en su lugar, haciéndolo girar hacia la izquierda.



— Embudidor de alimentos grande



— Embudidor de alimentos grande



— Embudidor de alimentos angosto



— Embudidor de alimentos mediano



— Embudidor de alimentos angosto

Embudo de alimentos de 3 piezas (Modelos KFPW763 y KFPW773)

Para procesar continuamente productos más pequeños, inserte el embudidor de 3 piezas en el tubo para alimentos Ultra Wide Mouth™ y haga girar la parte superior de uno de los embudidores incluidos hacia la derecha o izquierda para desbloquear el embudidor del tamaño adecuado. Luego, levántelo para sacarlo. Use el tubo para alimentos y el embudidor angostos para procesar productos pequeños o delgados, como zanahorias de a una o tallos de apio. Use el tubo para alimentos y el embudidor medianos para rebanar o rallar continuamente productos más grandes, como queso o varias zanahorias. Asegúrese de fijar el embudidor angosto en su lugar cuando use el tubo para alimentos mediano. Y cuando use el tubo para alimentos Ultra Wide Mouth™, asegúrese de fijar los embudidores medianos y angostos en su lugar. Para incorporar lentamente aceite a los ingredientes, sólo llene el embudidor angosto con la cantidad deseada de aceite. Un pequeño orificio en la parte inferior del embudidor dejará caer el aceite a un ritmo constante.

Desensamblado del procesador de alimentos

⚠ ADVERTENCIA

Peligro de Cortaduras

Manipule las cuchillas con cuidado.

No seguir esta instrucción puede ocasionar cortaduras.

NOTA: Si tiene dificultades para quitar el embudidor del tubo para alimentos, es probable que hayan quedado partículas de alimento en el sistema de bloqueo. Para liberar el embudidor, ponga la tapa del tazón de tareas en agua tibia o lávela en el lavavajillas.

1. Presione el botón de apagado (OFF).
2. Desconecte el procesador antes de desmontar.
3. Haga girar la tapa del tazón de tareas hacia la izquierda y quítela.



4. Si está usando un disco, sáquele antes de quitar el tazón. Coloque dos dedos debajo de cada lado del disco y levántelo sin rotarlo. Quite el pie del disco.



5. Si está usando el minitazón o el tazón del chef, tome y quite el tazón usando las muescas ubicadas en el borde superior del tazón.



6. Haga girar el tazón de tareas hacia la izquierda para desbloquearlo de la base. Levántelo para sacarlo.



7. Se puede quitar la cuchilla multipropósito del tazón de tareas antes de sacar el contenido. También puede mantener la cuchilla en su lugar mientras saca los alimentos: tome el tazón de tareas por la parte inferior y coloque un dedo a través de la abertura central para tomar el eje impulsor de la cuchilla. Luego quite los alimentos del tazón y la cuchilla con una espátula.



Limpeza del procesador de alimentos

ADVERTENCIA

Peligro de Cortaduras

Manipule las cuchillas con cuidado.

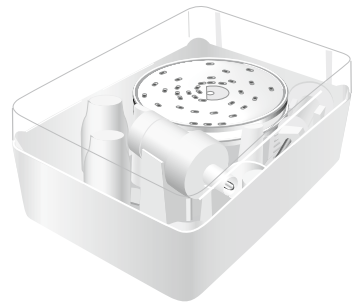
No seguir esta instrucción puede ocasionar cortaduras.

1. Presione el botón de apagado (OFF).
2. Desconecte el procesador antes de limpiar.
3. Limpie la base y el cable con un paño humedecido con agua tibia y jabón y enjuague con un paño húmedo. Seque el aparato con un paño suave. No use limpiadores abrasivos o esponjas para tallar.
4. El resto de las partes del procesador de alimentos pueden colocarse en el lavavajillas. Asegúrese de colocarlas lejos de las partes del lavavajillas que irradian calor. Si lava las partes del procesador a mano, evite usar limpiadores abrasivos o esponjas para tallar. Puede que rayen u opaquen el tazón de tareas y la tapa. Seque bien las partes después de lavarlas.

5. Para prevenir daños al sistema de bloqueo, siempre guarde el tazón de tareas y la tapa en la posición sin fijar cuando no lo use.



6. Enrolle el cable de alimentación alrededor del tazón de tareas. Fije el enchufe ajustándolo al cable.
7. Debe guardar los discos, ejes impulsores y cuchillas desmontados en la caja proporcionada y en un lugar fuera del alcance de los niños.



Resolución de problemas

- Si su procesador de alimentos no funciona, verifique lo siguiente:
 - Asegúrese de que el tazón de tareas y su tapa se encuentren fijados correctamente a la base y que el embutidor grande esté insertado hasta la línea de llenado máximo en el tubo para alimentos (aproximadamente hasta la mitad).
 - Verifique que el procesador esté conectada a un tomacorriente apropiado. Si lo está, desconecte el procesador y luego vuélvala a conectar al mismo tomacorriente.

Modelos KFPW760 & KFPW763

Modelos KFPW760 & KFPW763

⚠ ADVERTENCIA



Peligro de Choque Eléctrico

Conecte a un contacto de pared de conexión a tierra de 3 terminales.

No quite la terminal de conexión a tierra.

No use un adaptador.

No use un cable eléctrico de extensión.

No seguir estas instrucciones puede ocasionar la muerte, incendio o choque eléctrico.

⚠ ADVERTENCIA



Peligro de Incendio

No use un cable eléctrico de extensión.

No seguir esta precaución puede ocasionar la muerte, o incendio.

- Si aun así el procesador no funciona, verifique el fusible o el disyuntor del circuito eléctrico al que está conectada y asegúrese de que el circuito esté cerrado.
- Si su procesador no rebana, ralla o corta al usar el disco:
 - Asegúrese de que el lado con la cuchilla hacia arriba del disco quede boca arriba sobre el pie para el. El disco tiene una protuberancia en la parte superior y ranuras en la parte inferior para ayudar a alinearlos correctamente.
- Si la tapa de su procesador no cierra cuando usa el disco:
 - Asegúrese de que el disco se encuentre instalado correctamente, con la protuberancia hacia arriba, y de que esté posicionado correctamente sobre el pie del disco.

Resolución de problemas

- **Si el procesador se apaga mientras está funcionando:**

- Puede que el procesador se haya recalentado. Si el motor supera una cierta temperatura, se apagará automáticamente para prevenir daños. Esto debería ser un suceso extremadamente inusual. Si sucede, presione el botón de apagado (OFF) y espere 15 minutos para que el procesador se enfríe antes de continuar. Si aún así el procesador no funciona, espere otros 15 minutos para que se enfríe.

- **Si tiene dificultades al quitar el presionador del tubo para alimentos:**

- Seguramente han quedado partículas de alimentos en el sistema de bloqueo. Para liberar el embutidor, remoje la tapa del tazón de tareas en agua tibia o lávelo en el lavavajillas.

Si no se puede corregir el problema con los pasos detallados en esta sección, consulte la sección Garantía y Información de Servicio de KitchenAid en las páginas 78 a 80. No lleve el procesador al vendedor minorista: ellos no proporcionan servicio técnico.

Consejos para procesar alimentos



USO DE LA CUCHILLA MULTIPROPÓSITO

Para cortar frutas o vegetales frescos:

Pele y quite los carozos y/o semillas. Corte los alimentos en trozos de 1 a 1½ pulgadas (de 2.5 a 3.8 cm). Procese los alimentos hasta alcanzar el tamaño deseado usando pulsos cortos, de 1 a 2 segundos cada vez. Raspe los costados del tazón, si fuera necesario.

Para hacer puré con frutas cocidas y vegetales (excepto papas):

Agregue ¼ taza (60 ml) de la cantidad de líquido que indica la receta por taza (235 ml) de alimentos. Procese el producto usando pulsos cortos hasta que quede triturado en trozos pequeños. Luego procese continuamente hasta alcanzar la textura deseada. Raspe los costados del tazón, si fuera necesario.

Para hacer puré de papas:

Introduzca el recipiente del chef en el tazón de tareas. Con el disco para rallar, triture las papas hervidas mientras están calientes. Quite el tazón del chef con las papas. Coloque la cuchilla multipropósito en el tazón de tareas y agregue las papas trituradas, la manteca a temperatura ambiente, la leche y los condimentos. Pulse de 3 a 4 veces, de 2 a 3 segundos cada vez, hasta que se absorba la leche y la textura sea suave. No procese demasiado.

Para cortar frutas secas (o pegajosas):

Los productos deben estar fríos. Agregue ¼ taza (60 ml) de la cantidad de harina que indique la receta cada ½ taza (120 ml) de fruta seca. Procese la fruta usando pulsos cortos, hasta alcanzar la textura deseada.

Para cortar cáscaras de cítricos en trozos pequeños:

Con un cuchillo afilado, pele la parte de color (sin la membrana blanca) del cítrico. Corte la piel en pequeñas tiras. Procese hasta que quede finamente cortada en trozos pequeños.

Consejos para procesar alimentos

Para cortar ajo o picar hierbas frescas o pequeñas cantidades de vegetales:

Con el procesador en marcha, agregue los alimentos a través del tubo angosto para alimentos. Procese hasta que estén picados. Para obtener mejores resultados, asegúrese de que el tazón y las hierbas estén bien secos antes de cortar.

Para cortar nueces o para hacer manteca de nuez:

Procese hasta 3 tazas (710 ml) de nueces, como máximo, hasta alcanzar la textura deseada utilizando pulsos cortos, de 1 a 2 segundos cada vez. Para obtener una textura más rústica, procese cantidades más pequeñas, pulsando 1 ó 2 veces, de 1 a 2 segundos cada vez. Pulse con más frecuencia para obtener una textura más fina. Para hacer manteca de nuez, procese continuamente hasta que esté suave. Guarde en heladera.

Para cortar carne, aves o mariscos cocidos o crudos:

Los productos deben estar fríos. Corte en piezas de 1 pulgada (2.5 cm). Procese hasta 1 libra (455 g) a la vez para alcanzar el tamaño deseado, utilizando pulsos cortos, de 1 a 2 segundos cada vez. Raspe los costados del tazón, si fuera necesario.

Para hacer migajas de pan, galletas dulces o galletas saladas:

Rompa los productos en trozos de 1½ a 2 pulgadas (de 3.8 a 5 cm). Procese hasta que quede finamente picado. Para trozos más grandes, pulse de 2 a 3 veces, de 1 a 2 segundos cada vez. Luego procese hasta que esté finamente picado.

Para derretir el chocolate que indique una receta:

Combine las cantidades de chocolate y azúcar que indica la receta en el tazón de tareas. Procese hasta que esté finamente picado. Caliente el líquido que indica la receta. Con el procesador funcionando, agregue el líquido caliente a través del tubo angosto para alimentos. Procese hasta que esté suave.

Para rallar quesos duros, tales como parmesano y romano:

Nunca intente procesar queso que no se pueda pinchar con la punta de un cuchillo afilado. Puede usar la cuchilla multipropósito para rallar quesos duros. Corte el queso en trozos de 1 pulgada (2.5 cm). Colóquelo en el tazón de tareas. Procese, usando pulsos cortos, hasta que quede cortado en trozos grandes. Procese en forma continua hasta que quede finamente rallado. También puede agregar trozos de queso a través del tubo angosto para alimentos mientras el procesador está funcionando.

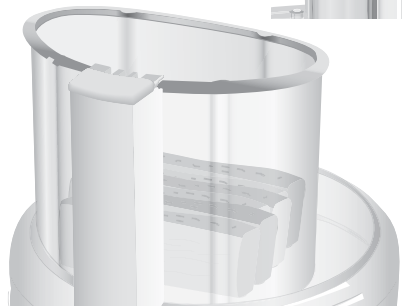


USO DEL DISCO PARA REBANAR, RALLAR O CORTAR

NOTA: Cuando corte e introduzca productos en el tubo para alimentos Ultra Wide Mouth™, no supere la línea de llenado máximo. Esto permitirá que el presionador se ajuste en el mecanismo de bloqueo y que la unidad funcione.

Para cortar en juliana, en palitos o bastones de vegetales y frutas:

Corte los alimentos para que quepan en el tubo horizontalmente. Coloque los productos en posición horizontal en el tubo para alimentos. Procese aplicando presión uniforme para hacer rodajas. Vuelva a tomar las rodajas y posicíonelas en forma vertical u horizontal en el tubo para alimentos. Procese aplicando presión uniforme.



Consejos para procesar alimentos

Para rebanar o triturar frutas o vegetales que sean largos y con un diámetro relativamente pequeño, como el apio, las zanahorias y los plátanos:

Corte los productos para que quepan vertical u horizontalmente en el tubo para alimentos y llene el tubo de manera segura para mantener los productos en una posición correcta.



Procese aplicando presión uniforme. Use el tubo para alimentos mediano en el embudidor de 3 piezas y procese con el embudidor mediano (KFPW763 y KFPM773). O use el tubo angosto para alimentos, ya sea en el embudidor de dos piezas (KFPW760 y KFPM770) o en el embudidor de tres piezas. Posicione los productos verticalmente en el tubo e introduzca primero el extremo pequeño y al final, el más ancho. Use el embudidor angosto para procesar los alimentos.

Para rebanar o rallar frutas o vegetales redondos, tales como cebollas, manzanas y pimientos verdes:

Pele y quite los carozos o las semillas. Corte en mitades o cuartos para que entren en el tubo para alimentos. Posiciónelos en el tubo. Procese aplicando presión uniforme.

Para rebanar o rallar frutas y vegetales pequeños, tales como frutillas, hongos y rabanitos:

Coloque los productos en posición vertical u horizontal en capas dentro del tubo para alimentos. Llene el tubo para que queden los productos colocados correctamente, pero no supere la línea de llenado máximo. Procese aplicando presión uniforme. Use el tubo para alimentos mediano en el embudidor de 3 piezas y procese con el embudidor mediano (KFPW763 y KFPM773). O use el tubo angosto para alimentos, ya sea en el embudidor de dos piezas (KFPW760 y KFPM770) o en el embudidor de tres piezas. Coloque los productos en posición vertical en el tubo y use el embudidor angosto para procesar los alimentos.

Para rallar espinacas y otras hojas:

Coloque una hoja encima de la otra. Enróllelas y colóquelas verticalmente en el tubo para alimentos.



Procese aplicando presión uniforme.

Para cortar carne o aves crudas, como para hacer carne salteada:

Corte o enrolle el producto para que quepa en el tubo para alimentos. Envuelva y congele el producto hasta que esté duro, de 30 minutos a 2 horas, dependiendo del grosor del producto. Asegúrese de que aún pueda perforar el producto con la punta de un cuchillo afilado. Si no puede, deje descongelar un poco. Procese aplicando presión uniforme.

Para cortar carne o aves cocidas, incluso salame, salchichón, etc.:

Los productos deben estar bien fríos. Corte en trozos que entren en el tubo para alimentos. Procese los productos aplicando presión uniforme.

Para rallar quesos firmes y blandos:

El queso firme debe estar bien frío. Para obtener mejores resultados con quesos blandos, como la mozzarella, congele de 10 a 15 minutos antes de procesar. Córtelo para que entre en el tubo para alimentos. Procese aplicando presión uniforme.

Para rebanar o rallar productos que tienen "forma de pera", como los camotes, las berenjenas y la calabaza:

Coloque el producto en posición horizontal para que el lado más grande/ancho se encuentre a la izquierda del tubo para alimentos cuando usted esté de frente a la unidad. Procese aplicando presión uniforme al embudidor de alimentos.

Consejos para procesar alimentos



USO DE LA CUCHILLA PARA MASA

La cuchilla para masa está diseñada especialmente para mezclar y amasar masas de levadura rápida y eficazmente. Para obtener mejores resultados, no utilice la cuchilla para masa con recetas que lleven más de 2 a 3 tazas (de 475 a 710 ml) de harina.



USO DEL BATIDOR DE HUEVOS

Para hacer merengue suave de claras de huevo:

Coloque 3 claras y $\frac{1}{4}$ cucharadita (1 ml) de cremor tártaro en el tazón de tareas que ya tiene colocado el batidor de huevos. Procese hasta que esté espumoso, durante unos 30 a 45 segundos. Con el procesador en marcha, agregue lentamente $\frac{1}{3}$ taza (80 ml) de azúcar a través del tubo para alimentos angosto. Procese hasta que se formen picos duros, durante alrededor de $2\frac{1}{2}$ a 3 minutos. Detenga el procesador las veces que sea necesario para verificar la textura de la mezcla.

Para batir crema:

Coloque la crema doble en el tazón de tareas con el batidor de huevos ya colocado. Procese durante 30 segundos. Con el procesador funcionando, agregue 2 cucharadas soperas (30 ml) de azúcar impalpable a través del tubo angosto para alimentos. Procese hasta que se formen picos suaves, durante 30 a 40 segundos. Detenga el procesador las veces que sea necesario para verificar la textura de la mezcla. Con el procesador en marcha, agregue $\frac{1}{2}$ cucharadita (2 ml) de vainilla, si lo desea, a través del tubo angosto para alimentos. Procese hasta que se mezcle. No procese demasiado.

⚠️ ADVERTENCIA

Peligro de Cortaduras

Manipule las cuchillas con cuidado.

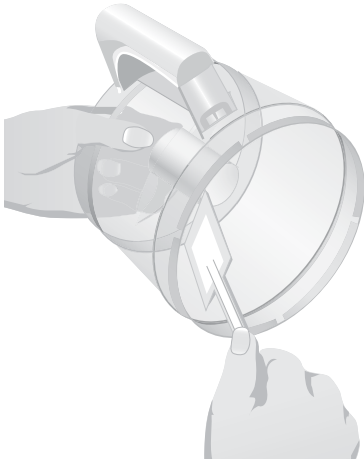
No seguir esta instrucción puede ocasionar cortaduras.

1. Para evitar daños a la cuchilla o al motor, no procese alimentos muy duros o congelados que no pueda pinchar con la punta de un cuchillo afilado. Si se traba un alimento sólido, como una zanahoria, en la cuchilla, detenga el procesador y quite la cuchilla. Suavemente, quite el producto de la cuchilla.
2. Cuando corte e inserte productos en el tubo para alimentos Ultra Wide Mouth™, no supere la línea del límite de llenado máximo. Esto permitirá que el embudidor grande se ajuste en el mecanismo de bloqueo y que la unidad funcione.
3. No llene demasiado el tazón de tareas o el minitazón. Para mezclas ligeras, llene de $\frac{1}{2}$ a $\frac{2}{3}$ el tazón de tareas. Para mezclas más consistentes, llene el tazón de tareas hasta $\frac{3}{4}$. Para líquidos, llene hasta el nivel máximo, como se describe en la página 67. Cuando corte, el tazón de tareas no debería estar más lleno que de $\frac{1}{3}$ a $\frac{1}{2}$. Use minitazón para hasta 1 taza (235 ml) de líquido o $\frac{1}{2}$ taza (120 ml) de sólidos.
4. Posicione los discos de rebanar para que la superficie de corte se encuentre a la derecha del tubo para alimentos. Esto permite que la cuchilla pueda rotar completamente antes de entrar en contacto con el producto.
5. Para capitalizar la velocidad de el procesador, deje caer los ingredientes por cortar a través del tubo angosto para alimentos mientras el procesador está en marcha.
6. Los distintos productos requieren distintos grados de presión para obtener los mejores resultados de rallado y rebanado. En general, aplique una ligera presión para alimentos blandos y delicados (frutillas, tomates, etc.), presión moderada para alimentos medianos (calabacín, papas, etc.) y presión firme para alimentos duros (zanahorias, manzanas, quesos duros, carnes parcialmente congeladas, etc.).
7. Los quesos blandos y semiduros pueden esparcirse o juntarse en el disco para rallar. Para evitar esto, ralle solamente quesos bien enfriados.
8. A veces, los productos delgados, como las zanahorias o el apio, se caen en el tubo para alimentos, lo que produce rebanadas disparejas. Para minimizar esto, corte los alimentos en varios trozos y llene el tubo para alimentos mediano en el embudidor de tres piezas con los alimentos (modelos KFPW763 y KFPM773). Para procesar alimentos pequeños o delgados, el tubo angosto para alimentos (todos los modelos) será particularmente conveniente.
9. Cuando prepare masa de tortas o de galletitas, use la cuchilla multipropósito para montar la grasa y el azúcar primero. Agregue los ingredientes secos al final. Coloque las nueces y la fruta por encima de la mezcla de harina para evitar que se trituren demasiado. Procese las nueces y frutas usando pulsos cortos, hasta que se integren con los otros ingredientes. No procese demasiado.
10. Cuando los alimentos rallados o rebanados se apilen en un costado del tazón, detenga el procesador y redistribuya los productos usando una espátula.
11. Cuando parte del alimento alcance la parte inferior de un disco para rebanar o rallar, quite el alimento.



Ideas útiles

12. Puede que algunos trozos más grandes de alimentos permanezcan sobre el disco luego de rebanar o rallar. Si lo desea, córtelos a mano y agréguelos a la mezcla.
13. Organice las tareas de procesado para minimizar la limpieza del tazón. Procese los ingredientes secos o firmes antes que los líquidos.
14. Para limpiar fácilmente los ingredientes que quedan en la cuchilla multipropósito, sólo vacíe el tazón de tareas, reemplace la tapa y pulse durante 1 ó 2 segundos para hacer girar la cuchilla hasta que esté limpia.
15. Después de quitar la tapa del tazón de tareas, colóquelo boca abajo sobre el mostrador. Esto ayudará a mantener limpio el mostrador.
16. Para quitar el contenido del tazón de tareas sin retirar la cuchilla multipropósito, agarre el tazón de tareas por la base y coloque un dedo a través de la abertura central para mantener la cuchilla en su lugar. Luego quite los alimentos del tazón y la cuchilla con una espátula.
17. Su procesador no está diseñada para realizar las siguientes funciones:
 - moler granos de café, granos o especias duras,
 - moler huesos u otras partes no comestibles de los alimentos,
 - licuar frutas o vegetales crudos,
 - rebanar huevos duros o carnes a temperatura natural.
18. Si alguna parte plástica se decolora debido a los tipos de alimentos procesados, límpiela con jugo de limón.



Garantía del procesador de alimentos KitchenAid®

Duración de la garantía:	KitchenAid pagará por:	KitchenAid no pagará:
<p>En los 50 Estados Unidos, el Distrito de Columbia, Canadá y Puerto Rico: Garantía limitada de un año a partir de la fecha de compra.</p>	<p>En los 50 Estados Unidos y, el Distrito de Columbia y Canadá: Reemplazo sin molestias de su procesador de alimentos. Vea la página siguiente para encontrar los detalles sobre cómo acordar el reemplazo. O En Puerto Rico: Las piezas de repuesto y los costos de mano de obra de la reparación para corregir los defectos en materiales y mano de obra. El servicio debe ser provisto por un centro de servicio autorizado de KitchenAid. Para acordar el servicio, siga las instrucciones en la página 79.</p>	<p>A. Reparaciones cuando el procesador de alimentos se use de otra forma que la normal para un hogar de una sola familia. B. Daños resultantes de un accidente, alteración, mal uso o abuso o uso con productos no aprobados por KitchenAid. C. Piezas de repuesto o los costos de mano de obra por la reparación del procesador de alimentos cuando sea utilizado fuera del país donde se compró.</p>

ESPAÑOL

RENUNCIA DE GARANTÍAS IMPLÍCITAS; LIMITACIÓN DE REMEDIOS GARANTÍAS IMPLÍCITAS, INCLUYENDO EN CUANTO SEA APLICABLE LAS GARANTÍAS DE CALIDAD E IDONEIDAD PARA UN FIN CONCRETO, ESTÁN EXCLUIDAS HASTA DONDE SEA LEGALMENTE PERMISIBLE. CUALESQUIERA GARANTÍAS IMPLÍCITAS QUE PUEDAN SER IMPUESTAS POR LA LEY ESTÁN LIMITADAS A UN AÑO, O EL PERIODO MÁS CORTO POSIBLE PERMITIDO POR LA LEY. ALGUNOS ESTADOS Y PROVINCIAS NO PERMITEN LIMITACIONES O EXCLUSIONES EN CUANTO A LA DURACIÓN DE UNA GARANTÍA IMPLÍCITA DE CALIDAD O IDONEIDAD, ASÍ QUE LA LIMITACIÓN O EXCLUSIÓN QUE APARECE ARRIBA PODRÍA NO APLICARLE A USTED.

SI ESTE PRODUCTO NO FUNCIONARA COMO SE GARANTIZA, EL ÚNICO Y EXCLUSIVO REMEDIO DEL COMPRADOR SERÁ LA REPARACIÓN O EL REEMPLAZO CONFORME A LOS TÉRMINOS DE ESTA GARANTÍA LIMITADA. KITCHENAID Y KITCHENAID CANADA NO ASUMEN NINGUNA RESPONSABILIDAD POR DAÑOS INCIDENTALES O INDIRECTOS. Esta garantía le da a usted derechos legales específicos, y usted también podría tener otros derechos que varían de estado a estado o de provincia en provincia.

Garantía de reemplazo sin molestias – en los 50 Estados Unidos y el Distrito de Columbia

Confiamos tanto en que la calidad de nuestros productos llena los elevados estándares de KitchenAid que, si su procesador de alimentos llegara a fallar dentro del primer año desde que lo compró, KitchenAid acordará enviarle a su puerta un reemplazo idéntico o comparable libre de cargos y se encargará de que su procesador de alimentos original nos sea devuelto. Su unidad de reemplazo también estará cubierta por nuestra garantía limitada de un año. Por favor siga estas instrucciones para recibir este servicio de calidad.

Si su procesador de alimentos KitchenAid® llegara a fallar dentro del primer año

de poseerlo, simplemente llame gratis a nuestro Centro de Satisfacción al Cliente al 1-800-541-6390 de lunes a viernes, 8 a.m. a 8 p.m. (hora del Este), o sábado, 10 a.m. a 5 p.m. Dé al consultor su dirección de envío completa. (No números de apartados postales, por favor.)

Cuando reciba su reemplazo, use la caja y los materiales de empaque para empacar su procesador de alimentos original. En la caja incluya su nombre y dirección en una hoja de papel, junto con una copia de la prueba de compra (recibo de la caja registradora, comprobante de la tarjeta de crédito, etc.).

Garantía de reemplazo sin molestias – Canadá

Confiamos tanto en que la calidad de nuestros productos llena los elevados estándares de KitchenAid® que, si su procesador de alimentos llegara a fallar dentro del primer año desde que lo compró, KitchenAid Canadá le enviará un reemplazo idéntico o comparable. Su unidad de reemplazo también estará cubierta por nuestra garantía limitada de un año. Por favor siga estas instrucciones para recibir este servicio de calidad.

Si su procesador de alimentos KitchenAid® llegara a fallar dentro del primer año de poseerlo, lleve el procesador de alimentos o envíelo por cobrar a un centro de servicio autorizado KitchenAid Canada.

En la caja incluya su nombre y dirección en una hoja de papel, junto con la prueba de compra (recibo de la caja registradora, comprobante de la tarjeta de crédito, etc.). Su procesador de alimentos de reemplazo le será devuelto prepago y asegurado. Si usted no logra obtener un servicio satisfactorio de esta manera, llame gratis a nuestro Centro eXperience del Cliente al 1-800-807-6777.

O escribanos a:

Customer eXperience Centre
KitchenAid Canada
1901 Minnesota Court
Mississauga, ON L5N 3A7

Cómo ordenar el servicio de garantía en Puerto Rico

Su procesador de alimentos KitchenAid® está cubierto con una garantía limitada de un año a partir de la fecha de compra. KitchenAid pagará las piezas de repuesto y los costos de la mano de obra para corregir los defectos de materiales y mano de obra. El servicio debe ser provisto por un centro de servicio autorizado KitchenAid.

Lleve el procesador de alimentos o envíelo prepago y asegurado a un centro de servicio autorizado KitchenAid. Su procesador de alimentos reparado le será devuelto prepago y asegurado. Si usted no logra obtener un servicio satisfactorio de esta manera, llame gratis al 1-800-541-6390 para que le informen de la ubicación de un centro de servicio cercano a usted.

Cómo ordenar el servicio luego de la expiración de la garantía – en todas las localidades

Antes de llamar para el servicio, por favor revise la sección de “Resolución de problemas” en la página 71.

Para información del servicio en los 50 Estados Unidos, el Distrito de Columbia y Puerto Rico, llame gratis al 1-800-541-6390.

O escriba a:
Customer Satisfaction Center
KitchenAid Portable Appliances
P.O. Box 218
St. Joseph, MI 49085-0218

O contacte a un centro de servicio autorizado cerca de usted.

Para información del servicio en Canadá, llame gratis al 1-800-807-6777.

O escriba a:
Customer eXperience Centre
KitchenAid Canada
1901 Minnesota Court
Mississauga, ON L5N 3A7

Cómo ordenar el servicio fuera de estas localidades

Consulte con su vendedor de productos KitchenAid local o la tienda donde compró el procesador de alimentos para que le den información sobre cómo obtener el servicio.

Para información de servicio en México, llame gratis al 01-800-024-17-17 (JV Distribuciones)

o
01-800-902-31-00
(Industrias Birtman)

Cómo ordenar accesorios y piezas de repuesto

Para ordenar accesorios o piezas de repuesto para su procesador de alimentos en los 50 Estados Unidos, en el Distrito de Columbia y en Puerto Rico,

llame gratis al 1-800-541-6390 de lunes a viernes, 8 a.m. a 8 p.m. (hora del Este), o sábado, 10 a.m. a 5 p.m.

O escriba a:

Customer Satisfaction Center
KitchenAid Portable Appliances
P.O. Box 218
St. Joseph, MI 49085-0218

Para ordenar accesorios o piezas de repuesto para su procesador de alimentos en Canadá, llame gratis al 1-800-807-6777.

O escriba a:

Customer eXperience Centre
KitchenAid Canada
1901 Minnesota Court
Mississauga, ON L5N 3A7

Para ordenar accesorios o piezas de repuesto para su procesador de alimentos en México, llame gratis al 01-800-024-17-17 (JV Distribuciones)

o

01-800-902-31-00
(Industrias Birtman)

Accesorios para los modelos de 12 tazas (2.8 L) KFPW760, KFPW763, KFPM770 y KFPM773:

Cuchillas y discos

Cuchilla multipropósito	KFP72BL
Cuchilla para masa	KFP72DB
Minicuchilla (Para minitazón)	KFP7MBL
Disco para rebanar de 2 mm (Fino)	KFP7SL2
Disco para rallar de 2 mm (Fino)	KFP7SH2
Disco para rebanar de 4 mm (Med.)	KFP7SL4
Disco para rallar de 4 mm (Med.)	KFP7SH4
Disco para rebanar de 6 mm (Grueso)	KFP7SL6
Disco para rallar de 6 mm (Grueso)	KFP7SH6
Disco para juliana	KFP7JU
Disco para cortar papas fritas	KFP7FF
Disco para rallar parmesano/picar hielo	KFP7PI
Juego de 5 discos	KFP7DS
• Para rebanar de 6 mm	
• Para rallar de 6 mm	
• Papas fritas	
• Juliana	
• Para rallar parmesano/picar hielo	

Tazones y tapas

Tapa del tazón de tareas con tubo para alimentos Ultra Wide Mouth™	KFP7WWC
Tazón de tareas (12 tazas [2.8 L])	KFP72WB
Minitazón (4 tazas [945 ml]) con tapa de almacenaje	KFP7MB
Tazón del chef (10 tazas [2.4 L])	KFP72CB

Accesorios especiales

Batidor de huevos	KFP72EW
Exprimidor de cítricos	KFP7CP

Otros accesorios

Embutidor de alimentos de 2 piezas para el tubo para alimentos Ultra Wide Mouth™	KFP7WP
Embutidor de alimentos de 3 piezas para el tubo para alimentos Ultra Wide Mouth™	KFPTPP
Espátula/herramienta de limpieza	KFP7SP
Estuche de accesorios del chef	KFP7SC

® Registered trademark/™ Trademark/the shape of the mixer is a registered Trademark of KitchenAid U.S.A., KitchenAid Canada licensee in Canada. ©2009. All rights reserved.

® Marque déposée/™ Marque de commerce/La forme du bateur est une marque déposée de KitchenAid, U.S.A., Emploi sous licence par KitchenAid Canada au Canada. ©2009. Tous droits réservés.

® Marca registrada/™ Marca de comercio/La forma de la base de la batidora es una marca de comercio KitchenAid, U.S.A., ©2009. Todos los derechos reservados.



BIEN PENSÉ. BIEN FABRIQUÉ.™