



EN ■ Fully-automatic Rice Cooker

Translation of the original manual

READ CAREFULLY AND STORE FOR FUTURE USE.

- This appliance may be used by children 8 years of age and older and by persons with physical or mental impairments or by inexperienced persons, if they are properly supervised or have been informed about how to use the product in a safe manner and understand the potential dangers.
- Children must not play with the appliance.
- Cleaning and maintenance performed by the user must not be performed by children unless they are older than 8 years of age and under supervision.
- In the event that the power cord is damaged, have it repaired at a professional service centre to prevent causing a dangerous situation. It is forbidden to use the appliance if it has a damaged power cord.
- Keep the appliance and its power cord out of the reach of children younger than 8 years.
- This rice cooker is designed for domestic use and similar locations such as:
 - kitchens in stores; offices and other workplaces;
 - in agriculture;
 - for guests of hotels, motels and other similar locations;
 - in bed and breakfast establishments.
- The surface of the heating element retains residual heat after use.
- The surfaces of the appliance that come into contact with food must always be cleaned according to the instructions in this user's manual.
- Make sure that no water or any other liquid splashes on the power plug or the power socket, and that the hot steam emitted from the appliance is also kept away. If this, nevertheless, occurs, disengage the circuit breaker of the power socket and then carefully dry the power socket and the power plug before further use.

**Warning:**

Incorrect use may lead to injuries.

**Warning:**

Using non-original accessories may result in a dangerous situation arising.

- When assembling the lid, proceed according to the instructions in this user's manual. The lid handle must be attached to the lid pointing towards the side opposite the steam exhaust outlet.

- Only use the appliance on an even, dry, clean, stable surface and heat resistant surface. Do not use the appliance on the drip area of the kitchen sink.
- Do not place the appliance on the edge of a table, on unstable, inclining or uneven surfaces, on an electric or gas stove and other sources of heat, or in their vicinity.
- Do not use the appliance on heat sensitive surfaces as such surfaces could be damaged.
- Only use the removable inner bowl supplied with this appliance. Never use a different bowl.
- Do not use a cracked, dented or otherwise damaged inner bowl. A damaged removable inner bowl must be replaced by a new bowl of the original type.
- Before inserting the removable inner bowl into the rice cooker unit, check that the outer surface of the removable bowl and the inner area of the rice cooker are completely clean and dry. To prevent damaging the appliance, there must be no dried on food remains, etc. on the outer surface of the inner bowl and the surface of the heating element.
- Before connecting the appliance to a power socket, make sure that the removable inner bowl is properly seated in the rice cooker unit, that the removable inner bowl is filled with water and foodstuffs and that the lid is correctly positioned on the removable inner bowl. Do not overfill the removable inner bowl.
- Do not connect the appliance to a power socket or turn it on without the removable inner bowl located in the rice cooker unit.
- Do not use the appliance with an empty removable inner bowl.



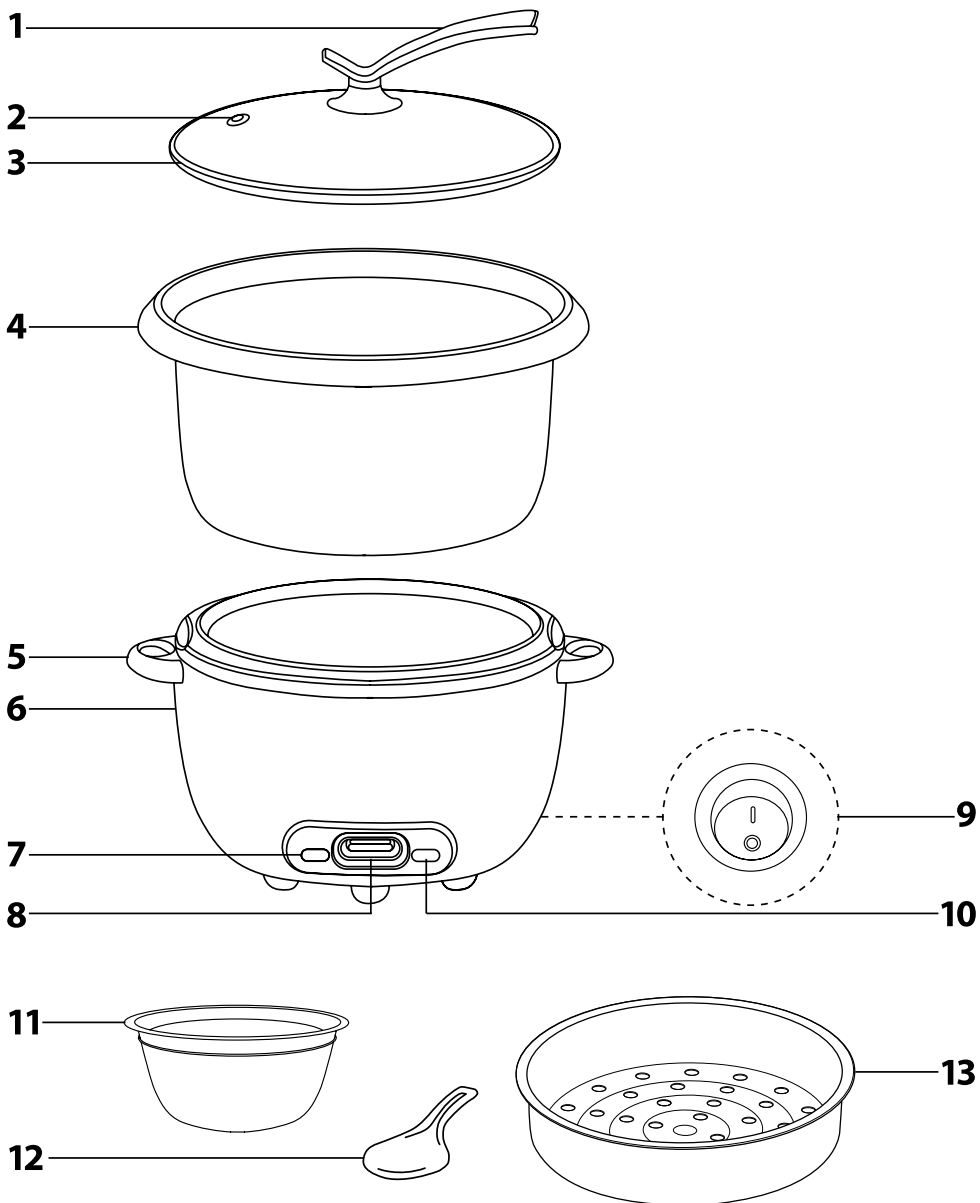
Warning:

Do not pour water into the rice cooker unit, do not pour rice into it or place any other foodstuffs into it. Foodstuffs and water are put only into the removable inner bowl.

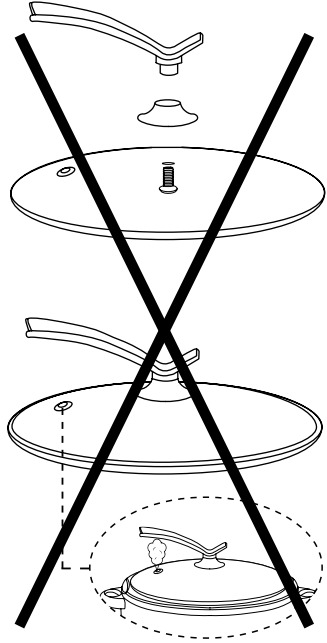
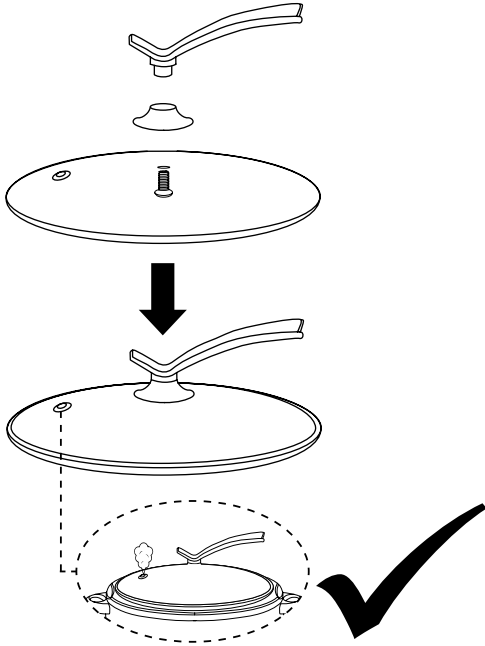
- When the appliance is in operation, the lid must be properly positioned on the removable inner bowl.
- Do not place any items on to the lid.
- During operation there needs to be sufficient area for air circulation above the appliance and around it. Do not use the appliance in the vicinity of heat sensitive materials. Do not cover the appliance or block its vents.
- Make sure that the steam exhaust outlet does not point towards heat sensitive materials or you or other people. Hot steam may cause serious scalding.
- Do not leave the rice stirring and serving spoon or any other kitchen utensils inside the removable inner bowl when using the "KEEP WARM" function.
- The temperature of accessible surfaces on the appliance is high when the appliance is in operation and for a certain time afterwards.
- When handling the appliance after finishing cooking, it is necessary to be very careful not to touch the rice cooker unit or any other parts of the appliance because they may still be hot as a result of residual heat.

- Do not touch the hot surface. After turning off and disconnecting the appliance from the power socket, use the handles to lift and carry the appliance. For reasons of increased safety, we recommend using kitchen gloves.
- Use the handle for lifting and carrying the lid. When lifting the lid, to prevent scalding, it is necessary to take care that the steam escaping from the inner bowl is not directed at you. For reasons of increased safety, we recommend using kitchen gloves.
- The water from the lid may only drip into the removable inner bowl; it must not drip into the rice cooker unit.
- When the lid is hot, do not place it on heat sensitive surfaces.
- The appliance must not be left without supervision when it is in operation.
- Always turn off and disconnect the appliance from the mains power socket when not using it, when leaving it without supervision, before removing the inner bowl or steamer insert, before cleaning, maintenance or moving it. Never move the appliance during operation.
- It is necessary to pay exceptional care when moving the appliance when it is filled with hot food or liquids.
- Always allow the appliance to fully cool down before removing the inner bowl or the steamer insert and before cleaning.
- Regularly clean the appliance after each use according to the instructions in the chapter Cleaning and maintenance. Do not perform any maintenance on the appliance apart from the cleaning procedure described in chapter Cleaning and maintenance.
- No part of this appliance is intended for washing in a dishwasher.
- To prevent an electrical hazard, never submerge the rice cooker, the power cord or the power plug into water or any other liquid.
- Do not place any items on the power cord. Make sure the power cord does not hang over the edge of a table, that it is not touching a hot surface or sharp objects.
- Disconnect the appliance from the power socket by pulling the power plug out of the power socket. Do not disconnect the appliance from the power socket by pulling on the power cord. Otherwise, this could damage the power cord or the power socket.
- Do not use the appliance when it is not functioning correctly or after it has fallen on the floor, been submerged in water or is damaged in any other way. Hand it over to an authorised service centre for inspection or repair.
- In order to prevent a hazardous situation arising, do not repair the appliance yourself or modify it in any way. For all repairs, contact an authorised service centre. By tampering with the appliance, you risk voiding your legal rights arising from unsatisfactory performance or quality warranty.

A



B



- Prior to using this appliance, please read the user's manual thoroughly, even in cases, when one has already familiarised themselves with previous use of similar types of appliances. Only use the appliance in the manner described in this user's manual. Keep this user's manual in a safe place where it can be easily retrieved for future reference. In the event that you hand this appliance over to somebody else, make sure to also include this user's manual.
- We recommend saving the original cardboard box, packaging material, purchase receipt and responsibility statement of the vendor or warranty card for at least the duration of the legal liability for unsatisfactory performance or quality. In the event of transportation, we recommend that you pack the appliance in the original box from the manufacturer.

DESCRIPTION OF THE APPLIANCE

A1 Lid handle

A2 Steam exhaust outlet

A3 Glass lid

A4 Removable inner cooking bowl with a non-stick surface

A5 Handles of the rice cooker unit

A6 Rice cooker unit

The rice cooker unit is fitted with a power cord. A heating element is located inside the rice cooker unit.

A7 COOK mode indicator

A8 Control lever for setting the COOK and KEEP WARM mode

A9 0/I switch (Off/On)

A10 KEEP WARM indicator

A11 Measuring cup

A12 Rice stirring and serving spoon

A13 Steamer insert

BEFORE FIRST USE

- Remove all packaging materials, including promotional tags and labels, from the appliance and its accessories.
- Assemble the lid as shown in figure B. Properly screw in the self-tapping screw from the underside of the lid **A3** and tighten it using a cross-head screwdriver to secure the handle **A1** against movement.



Attention:

The lid handle **A1** must be attached to the lid **A3** pointing towards the side opposite the steam exhaust outlet **A2**.

- Thoroughly wash the lid, the removable inner bowl **A4**, measuring cup **A11**, spoon **A12** and steamer insert **A13** in warm water with liquid kitchen detergent for hand washing. Then thoroughly rinse these parts with clean water and dry with a wiping cloth.
- Never submerge the rice cooker unit **A6**, the power cord or the power plug in water or any other liquid.
- No part of this appliance is intended for washing in a dishwasher.

OPERATING THE APPLIANCE

- Place the appliance on a kitchen countertop or another even, clean, dry, stable and heat resistant surface. Make sure that all safety instructions are followed.
- Take the removable inner bowl **A4** out of the rice cooker unit **A6** and put it aside on a clean, dry and stable surface. Measure the required amount of rice using the supplied measuring cup **A11**. One measuring cup of loose uncooked rice corresponds to approximately 3 cups of cooked rice.



Attention:

In a single batch it is possible to cook a maximum of 3 level measuring cups of rice. Do not cook less than 1 level measuring cup of rice.

- Transfer the rice to a larger strainer and thoroughly rinse through using clean running water. Allow the rinsed rice to drip and transfer it into the removable inner bowl **A4**. Spread the rice evenly over the entire bottom of the removable inner bowl **A4**. Make sure that the rice is not heaped on one side, etc. Add the corresponding amount of cold drinking water according to the following table.

Number of level measuring cups of uncooked rice

Amount of water

3 measuring cups

Add water up to the 3 CUP mark on the removable inner bowl **A4**.

2 measuring cups

Add water up to the 2 CUP mark on the removable inner bowl **A4**.

1 measuring cup

Add water up to the 1 CUP mark on the removable inner bowl **A4**.

**Note:**

Depending on the type of rice, it may be necessary to adjust the water-to-rice ratio.

The measuring cup **A11** has marks $\frac{1}{4}$ (45 ml), $\frac{1}{2}$ (90 ml) and $\frac{3}{4}$ (135 ml). A single level measuring cup is equivalent to approximately 140 g of loose uncooked rice or 180 ml of water.

**Warning:**

Never fill the inner bowl **A4** above the 0.6L mark on the inner side of the removable inner bowl **A4**. Overfilling, creates a risk of water splashing out.

- Make sure that the outer surface of the inner bowl **A4** and the inside area of the rice cooker unit **A6** is clean. This will ensure proper contact between the inner bowl **A4** and the surface of the heating element in the rice cooker unit. Insert the removable inner bowl **A4** into the rice cooker unit **A6**. To prevent damaging the appliance, ensure that the inner bowl **A4** is properly seated in the rice cooker unit **A6**. To properly seat the inner bowl **A4** in the rice cooker unit **A6**, carefully rotate the inner bowl **A4** to the left and right. Cover the removable inner bowl **A4** with the lid.
- Connect the power cord plug to a power socket. Set switch **A9** to position I (On).
- After setting switch **A9** to position I (On), the KEEP WARM mode will be automatically set. This is indicated by the indicator **A10** being lit. To start the COOK mode (cook rice), set the control lever **A8** to the bottom position. The COOK mode indicator **A7** will be lit and the rice cooking process will start.

**Attention:**

The COOK mode cannot be set unless the removable inner bowl **A4** is properly seated or seated at all in the rice cooker unit **A6**.

- Do not handle the control lever **A8** during the cooking process.
- Once the rice is cooked, the appliance will automatically switch to the KEEP WARM mode. This is indicated by the indicator **A10** being lit. The KEEP WARM mode enables the rice to be kept warm.

**Attention:**

Do not attempt to hold down the control lever **A8** in the bottom COOK position by force after the appliance automatically switches to the KEEP WARM mode. The COOK mode cannot be restarted immediately after the appliance automatically switches from the COOK mode to the KEEP WARM mode.

- After the rice cooker automatically switches to the KEEP WARM mode, keep the lid closed for approximately another 8–10 minutes for the rice to finish. If you allow the rice to finish after cooking, it will be tastier.
- Unless it is unconditionally necessary for safety reasons or for other reasons, do not turn off the appliance or pull the power plug out of the power socket until the COOK mode has finished, otherwise the rice will be ruined.

**Note:**

Do not use the KEEP WARM function to heat up rice that was cooked previously.

- Once the rice is ready to be served, lift up and remove the lid. Lift the lid carefully so that the escaping steam flows away from you. First lightly stir the rice using the spoon **A12** and then it is ready to be served.

**Attention:**

To prevent damaging the non-stick surface, never use metal or sharp kitchen utensils in the inner bowl **A4**. Use the spoon **A12** or a wooden or heat resistant plastic kitchen utensils.

- When not serving all the rice at once, return the lid to its place to prevent drying out the remaining rice. Do not leave the spoon **A12** or any other kitchen utensils inside the inner bowl **A4**.
- To maintain flavour, we recommend that you do not keep the rice warm for longer than 3 hours. Otherwise it may dry out.
- After you have finished using the appliance, always turn it off by setting the switch **A9** to position 0 (Off) and disconnect the power cord plug from the power socket.
- After the appliance has cooled down, clean it according to the instructions in chapter Cleaning and maintenance.

STEAM COOKING

- Steam cooking is a gentle food preparation method during which foods retain the majority of their nutritional values. To cook food in steam, proceed as follows.
- Remove the removable inner bowl **A4** from the rice cooker unit **A6**. Measure out approximately 0.5L of clean water and pour it into the removable inner bowl **A4**. Make sure that the water level in the removable inner bowl **A4** is lower than the steamer insert **A13** when inserted in the inner bowl **A4**.
- Place vegetables, or other foods suitable for cooking in steam, into the steamer insert **A13**. Do not put excessively large pieces or amounts of food inside. Place the steamer insert **A13** into the removable inner bowl **A4**.
- Make sure that the outer surface of the inner bowl **A4** and the inside area of the rice cooker unit **A6** is clean. This will ensure proper contact between the inner bowl **A4** and the surface of the heating element in the rice cooker unit.

- Place the inner bowl **A4** with the steamer insert **A13** into the rice cooker unit **A6**. To prevent damaging the appliance, ensure that the inner bowl **A4** is properly seated in the rice cooker unit **A6**. To properly seat the inner bowl **A4** in the rice cooker unit **A6**, carefully rotate the inner bowl **A4** to the left and right. Cover the inner bowl **A4** with the lid.
- Then proceed in the same way as when cooking rice. Regularly check the condition of the food and water. Make sure that all the water does not boil away.
- Once the food is cooked, set the control lever **A8** to the KEEP WARM position and turn off the appliance by setting switch **A9** to position 0 (Off) and disconnect it from the power socket.
- In order to remove the food, lift and remove the lid. Lift and remove the lid carefully away from yourself to avoid scalding by the escaping steam. To remove the food, you may use the supplied spoon **A12**. When handling hot foods, pay extra attention to prevent scalding.
- After the appliance has cooled down, clean it according to the instructions in chapter Cleaning and maintenance.

TROUBLESHOOTING

Problem	Possible cause	Solution
The appliance is not working.	The appliance is not connected to a power socket.	Connect the power plug to a power socket.
COOK mode cannot be started.	Switch A9 is not set to position I (On).	Set switch A9 to position I (On).
	The removable inner bowl A4 is not properly seated, or not seated at all, in the rice cooker unit A6 .	Ensure that the removable inner bowl A4 is properly seated in the rice cooker unit A6 .
The rice cooking process takes too long.	The COOK mode cannot be restarted immediately after the rice cooker automatically switches from the COOK mode to the KEEP WARM mode.	Wait until the appliance cools down.
	The surface of the heating element and/or the outer surface of the removable inner bowl A4 is soiled, e.g. by food remains.	Turn off the appliance, disconnect it from the power socket and allow it to cool down fully. Remove the food remains from the outer surface of the removable inner bowl A4 and/or the heating element.

CLEANING AND MAINTENANCE

- Keep the appliance clean.
- Before cleaning, turn off the appliance, disconnect it from the power socket and allow all its parts to cool down fully.
- Thoroughly wash the lid, the removable inner bowl **A4**, measuring cup **A11**, spoon **A12** and steamer insert **A13** in warm water with liquid kitchen detergent for hand washing. Then thoroughly rinse these parts with clean water and dry with a wiping cloth.
- To soak away food remains from the inner area of the inner bowl **A4**, fill the inner bowl **A4** with warm water with the addition of a few drops liquid kitchen detergent and allow it to act for approximately 10 minutes. Then wash the inner bowl **A4** in the normal manner and thoroughly wipe dry.
- After cleaning it, check that the outer surface of the inner bowl **A4** is completely clean and that it is free of any dried on rice, etc.
- Clean the outer surface of the rice cooker unit **A4** with a dampened cloth. Then thoroughly wipe the cleaned surface until dry. Keep the inner area in the rice cooker unit **A6** in clean condition.
- Insufficient cleaning may result in an unpleasant odour when the appliance is used the next time.
- Remaining acids and salts from foodstuffs may cause rusting on the surface of the appliance.
- Thoroughly clean out the appliance after every use.



Warning:

Never submerge the rice cooker unit **A6**, the power cord or the power plug into water or any other liquid.

- No part of this appliance is intended for washing in a dishwasher.
- Do not use chemicals, steel wool, cleaning products with an abrasive effect, etc. to clean the appliance. Otherwise the cleaned surface of the appliance may be damaged.

STORAGE

- When not using the appliance, after thoroughly cleaning it, store it in a dry place out of children's reach.

TECHNICAL SPECIFICATIONS

Rated voltage range	220–240 V
Rated frequency	50–60 Hz
Rated power input	300 W

We reserve the right to change text and technical specifications.

INSTRUCTIONS AND INFORMATION REGARDING THE DISPOSAL OF USED PACKAGING MATERIALS

Dispose of used packaging material at a site designated for waste in your municipality.

DISPOSAL OF USED ELECTRICAL AND ELECTRONIC EQUIPMENT



This symbol on products or original documents means that used electric or electronic products must not be added to ordinary municipal waste. For proper disposal, renewal and recycling hand over these appliances to determined collection points. Alternatively, in some European Union states or other European countries you may return your appliances to the local retailer when buying an equivalent new appliance.

Correct disposal of this product helps save valuable natural resources and prevents potential negative effects on the environment and human health, which could result from improper waste disposal. Ask your local authorities or collection facility for more details.

In accordance with national regulations penalties may be imposed for the incorrect disposal of this type of waste.

For business entities in European Union states

If you want to dispose of electric or electronic appliances, ask your retailer or supplier for the necessary information.

Disposal in other countries outside the European Union

This symbol is valid in the European Union. If you wish to dispose of this product, request the necessary information about the correct disposal method from the local council or from your retailer.



This product meets all the basic requirements of EU directives related to it.