

Gebrauchsanleitung

Weinklimaschrank

Seite 2

Operating Instructions

Wine storage refrigerator

Page 16

Gebruiksaanwijzing

Wijnbewaarkast

Pagina 30

Mode d'emploi

Armoire de climatisation des vins

Page 44

Instrucciones de manejo

Frigorífico bodeguero

Página 58

Istruzione d'uso

Frigorifero climatizzatore per vini

Pagina 72



Many thanks for your trust.

Congratulations on your purchase of this wine storage refrigerator. In buying this product, which is distinguished by its perfect user-friendliness, impeccable reliability and high quality, you have chosen a top class appliance. We wish you a lot of pleasure with your new wine storage refrigerator – and a lot of enjoyment from your wines.

The fewer the grapes produced in an area, the better the wine.

Poor, well-drained soils are best for good wines. The properties of the soil influence the vitality of the vine, which in turn affects the quality of the grape. Climate is another factor that is important for wine. Because light and air humidity are important for the development of the flavour of the wine.

The right environment for your wines.

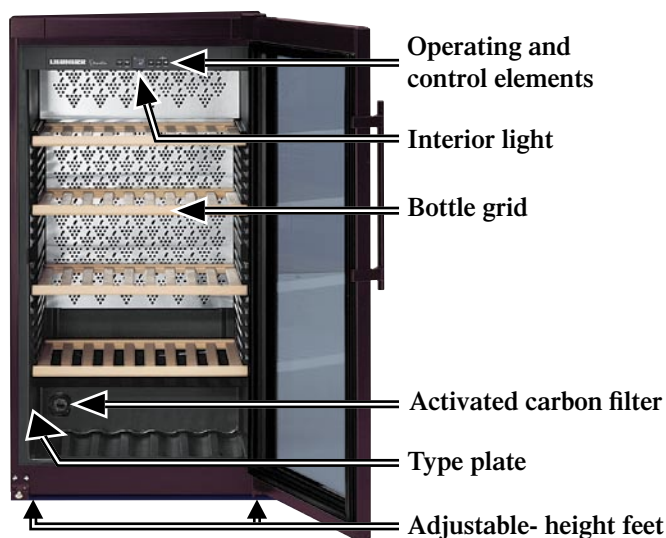
A vine is an extremely sensitive plant. From the time it is planted to its maturing period and the time the grapes are harvested and the wine is made, it is dependent on three factors: light, air humidity and ambient temperature. This sensitivity continues even once the wine is bottled. To allow the flavour of the wine to fully develop or to preserve the excellent aroma, the wine has to be stored perfectly – and your wine storage refrigerator offers the best conditions for this.



Contents

	Page
Setting up	18
Dimensions	18
Electrical requirement.....	18
Operating and control elements	18
Switching the appliance on and off	19
Setting the temperature	19
Fan switch.....	19
Additional functions	20
Audible warning signal	21
Interior light.....	21
Equipment.....	22
Storage diagrams for 750 ml Bordeaux bottles	23
Defrosting.....	24
Cleaning	24
Malfunctions	25
Shutting your appliance down	25
Changing over door hinges.....	26
Safety instructions and warnings.....	28
General information.....	28
Disposal notes.....	29

Description of appliance and equipment



Switching the appliance on and off

You are recommended to clean the appliance before switching it on for the first time (see "Cleaning"). Connect the appliance to the mains - the appliance is switched on.

- **To switch the appliance off:** Keep the "ON / OFF" button pressed for 3 sec. so that the temperature display goes out.
- **To switch the appliance on:** Press the "ON / OFF" button until the Display lights up.



Setting the temperature

To reduce the temperature: Press the DOWN button;

To increase the temperature: Press the UP button.

- While you are entering the temperature, the set temperature will flash on the display.
- You can change the settings in increments of 1°C briefly pressing the button again.
- The electronic controls will switch over automatically about 5 seconds after the last time you pressed the button, and the actual temperature will be displayed.




If **F1** appears in the display, the appliance has a fault. Consult your nearest customer service point.


Fan switch

Thereby a climate which corresponds to that of a wine cellar is achieved inside the wine cooler. Corks are prevented from drying out due to an increased level of humidity.

To switch on:

Hold down the Alarm button and then press the Light button. The LED  will come on.

To switch off:

Hold down the Alarm button and then press the Light button. The LED  goes dark.



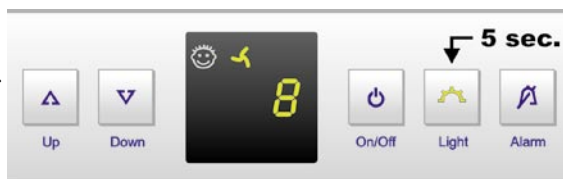
Additional functions

In set-up mode you can set the child-proof lock and adjust the brightness of the display. The child-proof lock is designed to protect the appliance from being switched off accidentally by children.

Activating set-up mode:

- Press **Light** button for approx. 5 secs - the **Light** button flashes - the display shows **c** for child-proof lock.

Note: the value to be altered flashes.



- Select the required function by pressing the Up/Down button:

c = child-proof lock, **h** = brightness of the display

- Now select/acknowledge function by pressing **Light** button briefly:

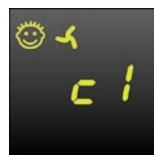
> For **c** = **child-proof lock**,

press the Up/Down button to select

c1 = child-proof lock on or

c0 = child-proof lock off and acknowledge with the **Light** button.

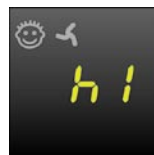
When the symbol ☺ is lit, the child-proof lock is activated.



> For **h** = **brightness**, press Up/Down button to select

h1 = minimum to

h5 = maximum brightness and acknowledge with **Light** button.



Exit set-up mode:

- Exit the set-up mode by pressing the On/Off button; after 2 min. the electronic system switches over automatically. The normal operating mode is activated again.

Audible warning signal

The audible warning signal helps to protect your wines against excessive temperature fluctuations.

- It sounds when the door has been left open for longer than about 60 seconds. The audible warning device is switched off by pressing the **Alarm** button.
- It sounds when the interior gets too warm or too cold. The temperature display will also flash. The audible warning device is switched off by pressing the **Alarm** button. The temperature display will continue to flash until the cause of the alarm has been rectified.



Interior light

The interior light is fitted on the inside at the top.

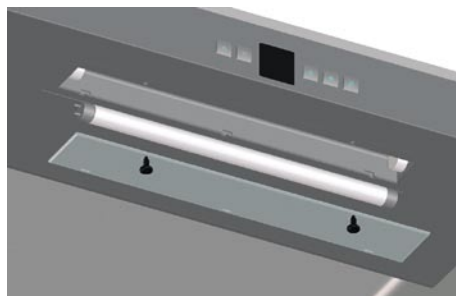
The interior light can be switched on and off using the "Light" button.



To change the tube

Pull out the mains plug or remove/unscrew the fuse.

- Unscrew the cover panel.
- Change the fluorescent tube.
- Replace cover panel and screw into place.



Equipment

Labels

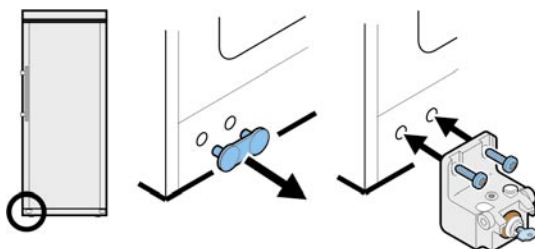
The appliance is supplied with a label holder with labels for each shelf. Use these to label the type of wine stored on each shelf. Additional labels can be obtained from your dealer.

Installation: Click the label holder into place and slide the label in from the side.



Lock

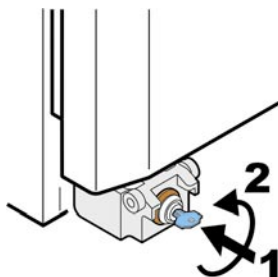
If required, the enclosed lock can be fitted.



Locking the appliance:

- Insert the key as shown by arrow 1.
- Turn the key 90°.

To unlock the appliance, the same procedure must be repeated in the same order.



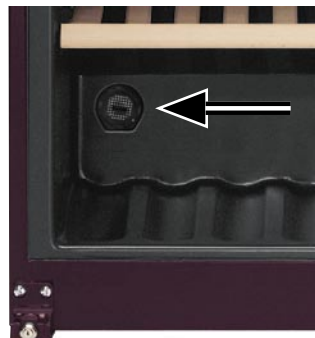
Air exchange with activated carbon filter

The way in which wines continue to mature depends on the ambient conditions. The quality of the air is therefore decisive for preserving the wine. An activated carbon filter has been fitted in the lower area of the rear wall of the appliance to ensure that the air throughput remains at an optimum quality.

We recommend that you replace the filter once a year. Filters can be obtained from your dealer.

Changing the filter: Take the filter by the handle. Turn it 90° to the left or right and remove.

Inserting the filter: Insert with the handle in a vertical position. Turn it 90° to the left or right until it clicks into place.

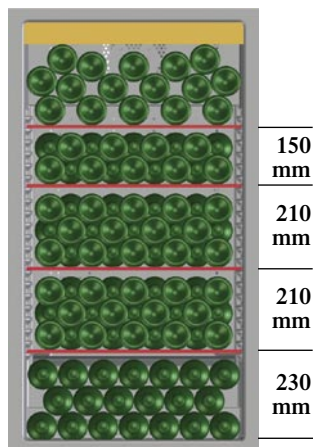


Storage diagrams

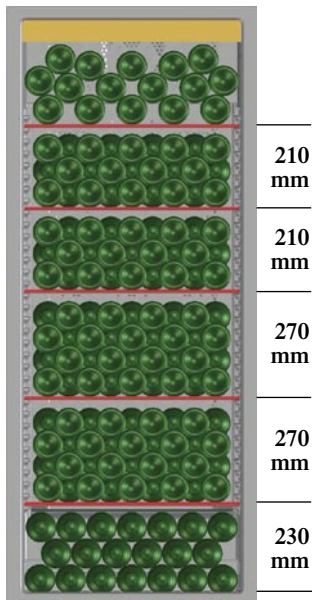
for 750 ml Bordeaux bottles

The loading pattern illustrated is only an example: the appliance can be loaded with different quantities depending on how the shelves are arranged.

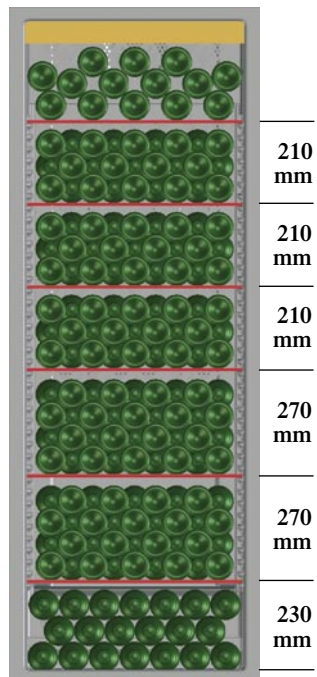
WK 2977
108 bottles



WK 4177
162 bottles



WK 4677
187 bottles



Defrosting

The appliance defrosts automatically. The water that forms on the rear wall drains into a reservoir at the back of the appliance and evaporates automatically through the compressor heat.

Cleaning

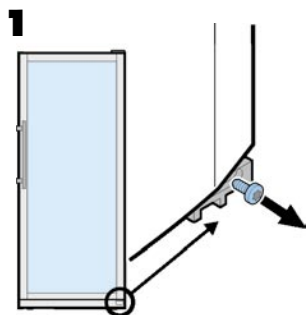
Before cleaning always switch off the appliance. Pull out the mains plug or remove/unscrew the fuse.

Never use abrasive or acidic cleaning agents or chemical solvents. We recommend the use of an all-purpose cleaner with neutral pH.

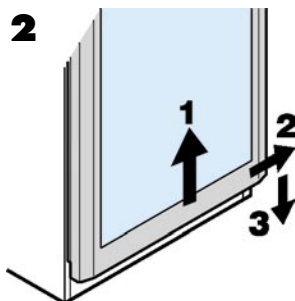
Do not use steam cleaners because of the risk of injury and damage.

- Do not use abrasive sponges or scourers, do not use concentrated cleaning agents and never use cleaning agents containing sand, chloride or acid or chemical solvents, as these would damage the surfaces and could cause corrosion.
- Use a glass cleaner to clean the glass surfaces and a commercially available stainless-steel cleaning agent for the stainless-steel surfaces.
- Clean the inside and equipment with lukewarm water and a little detergent, with the exception of the wooden trims on the grid shelves.
- Ensure that no cleaning water penetrates into the electrical components.
- Dry all parts well with a cloth.
- Do not remove the type plate from the inside of the appliance; it is important for after-sales servicing.

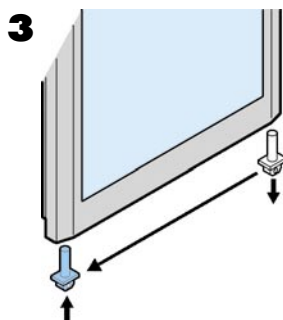
Changing over door hinges



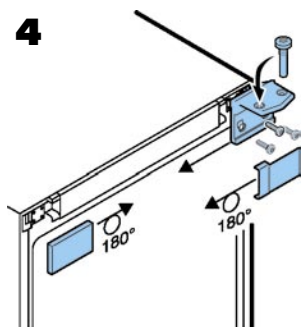
1 Remove screw from lower hinge bracket.



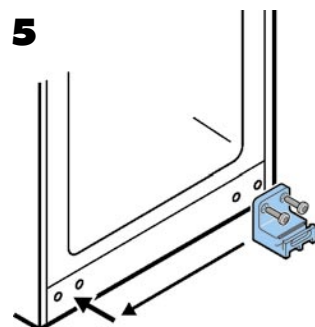
2 Lift door 1, tilt to the right 2 and remove 3.



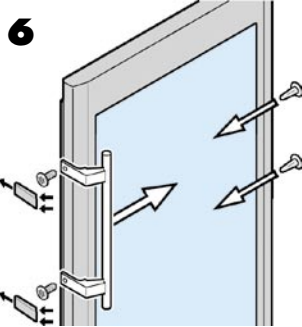
3 Transfer pin to the opposite side of the door.



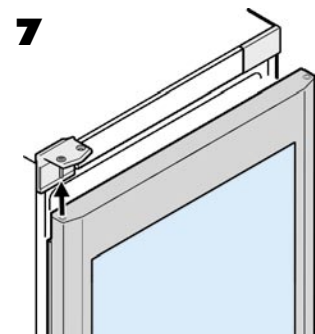
4 Transfer upper hinge components to the opposite side.



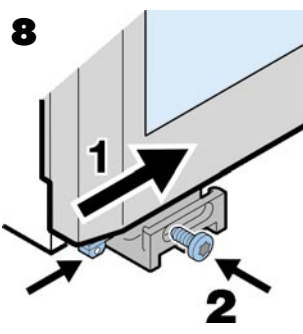
5 Transfer lower hinge bracket to the opposite side.



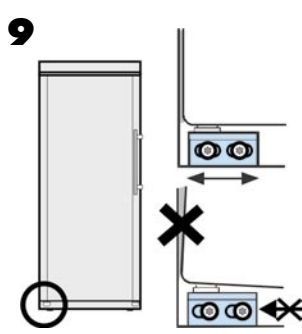
6 Transfer handle to the opposite side.



7 Locate door on upper pin.



8 Tilt door inwards from the left 1. Secure hinge pin with screw 2.

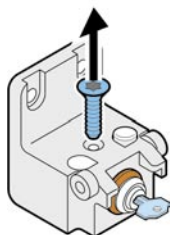


9 If the door is not flush with the body of the appliance, adjust it using the slots on the hinge bracket.

If required, the enclosed lock can be fitted.

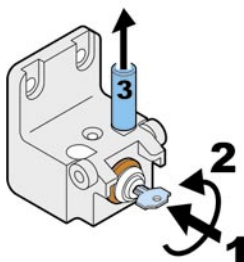
With the door hinges being on the left-hand side, the lock has to be adapted accordingly.

10



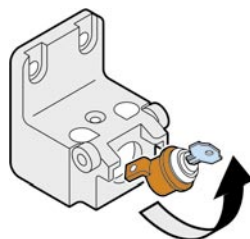
Remove screw.

11



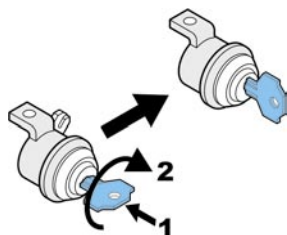
Insert key **1**, turn **2**, and remove pin **3**.

12



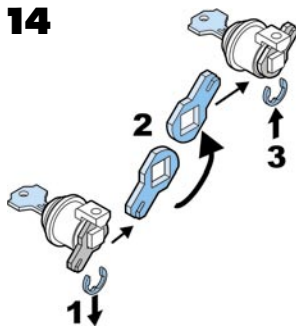
Remove lock.

13



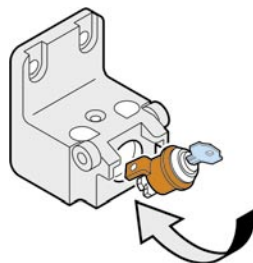
Insert key **1** and turn **2**.

14



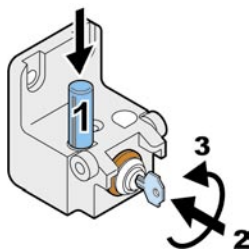
Remove door latch **1**, turn over **2** and reassemble **3**.

15



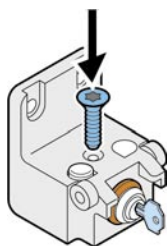
Insert lock.

16



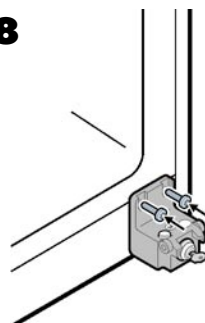
Insert pin **1**, insert key **2** and turn **3**.

17



Insert screw.

18



Screw on lock bracket.

Safety instructions and warnings

- To prevent injury or damage to the unit, the appliance should be unpacked and set up by two people.
- In the event that the appliance is damaged on delivery, contact the supplier immediately before connecting to the mains.
- To guarantee safe operation, ensure that the appliance is set up and connected as described in these operating instructions.
- Disconnect the appliance from the mains if any fault occurs. Pull out the plug, switch off or remove the fuse.
- When disconnecting the appliance, pull on the plug, not on the cable.
- **Any repairs and work on the appliance should only be carried out by the customer service department, as unauthorised work could prove highly dangerous for the user. The same applies to changing the mains power cable.**
- Do not stand on the plinth, drawers or doors or use them to support anything else.
- This appliance is not intended for use by persons (including children) with reduced physical, sensory or mental capabilities or lack of experience and knowledge unless they have been given initial supervision or instruction concerning use of the appliance by a person responsible for their safety. Children should be supervised to ensure that they do not play with the appliance.
- Avoid prolonged skin contact with cold surfaces or chilled/frozen food. This could cause pain, numbness and frostbite. In the case of prolonged skin contact, protective measures should be taken, e.g. gloves should be worn.
- **If you have a lockable appliance, do not keep the key near the appliance or within reach of children.**
- Do not use electrical appliances inside the appliance.
- Do not damage the refrigerant circuit pipes.
- Do not allow naked flames or ignition sources to enter the appliance. When transporting and cleaning the appliance ensure that the refrigerant circuit is not damaged. In the event of damage, make sure that there are no ignition sources nearby and keep the room well ventilated.

General information

The refrigerant circuit has been tested for leaks.

The appliance is radio-suppressed to EN 55014 and thus complies with EC Directive 87/308/EEC.

All types and models are subject to continuous improvement and the manufacturer therefore reserves the right to make modifications to the shape, equipment and technology.

Disposal notes

The packaging is made of recyclable materials.

- Corrugated board/board
- EPS moulded parts
- Polythene sheets
- Polypropylene straps
- **Keep packaging materials away from children - polythene sheets and bags can suffocate!**
- Please return the packaging material to an official collection point.

Your old appliance: This contains some reusable materials and should be disposed of properly - not simply with unsorted household refuse.

- Disable discarded appliances by removing the plug and cutting through the connection cable. Render the catch unusable so that children cannot become trapped inside.
- Ensure that the refrigerant circuit is not damaged when the appliance that is no longer needed is taken away for disposal.
- Details of the refrigerant used can be found on the type plate.
- Appliances which are no longer needed must be disposed of in a professional and appropriate way, in accordance with the current local regulations and laws.

