



DEEBOT **X12** FAMILY

Instruction Manual

Instruction Manual.....	EN		P03
Manuel d'instructions.....	FR-CA		P33
Manual de instrucciones.....	ES-LA		P63



IMPORTANT SAFETY INSTRUCTIONS

IMPORTANT SAFETY INSTRUCTIONS READ ALL INSTRUCTIONS BEFORE USING THIS APPLIANCE.

When using an electrical appliance, basic precautions should always be followed, including the following:

WARNING: Read all safety warnings and instructions. Failure to follow the warnings and instructions may result in electric shock, fire, or serious injury.

1. Do not allow to be used as a toy. Close attention is necessary when used by or near children.
2. Clear the area to be cleaned. Remove power cords and small objects from the floor that could entangle the Appliance. Tuck rug fringe under the rug base, and lift items such as curtains and tablecloths off the floor.
3. If there is a drop off in the cleaning area due to a step or stairs, you should operate the Appliance to ensure that it can detect the step without falling over the edge. It may become necessary to place a physical barrier at the edge to keep the unit from falling. Make sure the physical barrier is not a trip hazard.
4. Only use as described in this manual. Only

use attachments recommended or sold by the manufacturer.

5. Do not handle plug or appliance with wet hands.
6. Non-rechargeable batteries are prohibited.
7. Do not use without Dust Bin and/or Filters in place.
8. Do not operate the vacuum in an area where there are lit candles or fragile objects on the floor to be cleaned.
9. Do not use and store in extremely hot or cold environments (below -5°C / 23°F or above 40°C / 104°F). Please charge the robot in temperature above 0°C / 32°F and below 40°C / 104°F .
10. Keep hair, loose clothing, fingers, and all parts of body away from any openings and moving parts.
11. Do not operate the Appliance in a room where an infant or child is sleeping.
12. For INDOOR use ONLY. Do not use the Appliance in outdoor, commercial or industrial environments. Do not use Appliance on wet surfaces or surfaces with standing water.
13. Do not allow the Appliance to pick up large objects like stones, large pieces of paper, or any item that may clog the Appliance.
14. Do not use to pick up flammable or combustible

- materials such as gasoline, printer, or copier toner, or use in areas where they may be present.
15. Do not pick up anything that is burning or smoking, such as cigarettes, matches, hot ashes, or anything that could cause a fire.
 16. Do not put any object into openings. Do not use with any opening blocked; keep free of dust, lint, hair, and anything that may reduce air flow.
 17. Take care not to damage the power cord. Do not pull on or carry the Appliance or Docking Station by the power cord, use the power cord as a handle, close a door on the power cord, or pull power cord around sharp edges or corners. Do not run Appliance and Docking Station over the power cord. Keep power cord away from hot surfaces. Do not unplug by pulling on cord. To unplug, grasp the plug, not the cord.
 18. If the power cord is damaged, it must be replaced by the manufacturer or its service agent in order to avoid a hazard.
 19. Do not use with a damaged power cord or plug. Do not use the Appliance or Docking Station if it is not working properly, has been dropped, damaged, left outdoors, or come in contact with water. It must be repaired by the manufacturer or its service agent in order to avoid a hazard.
 20. Turn OFF the power switch before cleaning or maintaining the Appliance. Turn off all controls before unplugging. Always turn off this appliance before connecting or disconnecting motorized nozzle.
 21. Turn OFF the Power Switch before removing the Dust Bin.
 22. Remove the Appliance from the Docking Station, and turn OFF the power switch to the Appliance before removing the battery for disposal of the Appliance.
 23. The battery must be removed and discarded according to local laws and regulations before disposal of the Appliance.
 24. Please dispose of used batteries according to local laws and regulations.
 25. Do not incinerate the Appliance even if it is severely damaged. The batteries can explode in a fire.
 26. When not using the Docking Station, unplug from outlet when not in use and before servicing.
 27. The Appliance must be used in accordance with the directions in this Instruction Manual. Ecovacs Home Service Robotics cannot be held liable or responsible for any damages or injuries caused by improper use.

28. Prevent unintentional starting. Ensure the switch is in the off position before connecting to battery pack, picking up or carrying the appliance.
29. When battery pack is not in use, keep it away from other metal objects, like paper clips, coins, keys, nails, screws, or other small metal objects, that can make a connection from one terminal to another. Shorting the battery terminals together may cause burns or a fire.
30. Under abusive conditions, liquid may be ejected from the battery; avoid contact. If contact accidentally occurs, flush with water. If liquid contacts eyes, additionally seek medical help. Liquid ejected from the battery may cause irritation or burns.
31. Do not use a battery pack or appliance that is damaged or modified. Damaged or modified batteries may exhibit unpredictable behavior resulting in fire, explosion, or risk of injury.
32. Do not expose a battery pack or appliance to fire or excessive temperature. Exposure to fire or temperature above 130°C may cause explosion. The temperature of 130°C can be replaced by the temperature of 265°F.
33. Follow all charging instructions and do not charge the battery pack or appliance outside of the temperature range specified in the instructions. Charging improperly or at temperatures outside of the specified range may damage the battery and increase the risk of fire.
34. Have servicing performed by a qualified repair person using only identical replacement parts. This will ensure that the safety of the product is maintained.
35. Do not modify or attempt to repair the appliance or the battery pack (as applicable) except as indicated in the instructions for use and care.
36. Place the cords from other appliances out of the area to be cleaned.
37. Do not operate the vacuum in a room that has lit candles on furniture that the vacuum may accidentally hit or bump into.
38. Do not allow children to sit on the vacuum.
39. Use only as described in this manual. Use only manufacturer's recommended attachments.
40. Recharge only with the charger specified by the manufacturer. A charger that is suitable for one type of battery pack may create a risk of fire when used with another battery pack.
41. Use appliances only with specifically designated battery packs. Use of any other battery packs may create a risk of injury and fire.

42. The robot contains batteries that are only replaceable by skilled persons. To replace the robot's battery, please contact Customer Service.
43. If the robot will not be used for a long time, fully charge the robot and power OFF for storage and unplug the Docking Station.
44. To Reduce The Risk Of Electric Shock – Do not use on wet surfaces. Do not expose to rain. Store indoors.
45. To Reduce The Risk Of Injury From Moving Parts – Unplug Before Servicing.
46. Risk Of Injury. Brush May Start Unexpectedly. Unplug Before Cleaning or Servicing.
47. To reduce the risk of injury, user must read the Instruction Manual.
48. To Reduce The Risk Of Electric Shock – Do not use outdoors or on wet surfaces.
49. Please make sure your power supply voltage matches the power voltage marked on the Docking Station.
50. Do not use the Docking Station if it is damaged.
51. The plug must be removed from the receptacle before cleaning or maintaining the Docking Station.
52. Power Switch: "I"=ON, "O"=OFF.

==	Direct current
~	Alternating current

This Device Complies with DHHS Radiation Rules, 21CFR Chapter 1, Subchapter J.

Federal Communications Commission (FCC) Interference Statement

NOTE: This equipment has been tested and found to comply with the limits for a Class B digital device, pursuant to Part 15 of the FCC Rules.

These limits are designed to provide reasonable protection against harmful interference in a residential installation. This equipment generates, uses, and can radiate radio frequency energy and, if not installed and used in accordance with the instructions, may cause harmful interference to radio communications.

However, there is no guarantee that interference will not occur in a particular installation. If this equipment does cause harmful interference to radio or television reception, which can be determined by turning the equipment off and on, the user is encouraged to try to correct the interference by one or more of the following measures:

- Reorient or relocate the receiving antenna.



- Increase the separation between the equipment and receiver.
- Connect the equipment into an outlet on a circuit different from that to which the receiver is connected.
- Consult the dealer or an experienced radio/TV technician for help.

This device complies with Part 15 of the FCC Rules. Operation is subject to the following two conditions:

- (1) This device may not cause harmful interference, and
- (2) this device must accept any interference received, including interference that may cause undesired operation.

Caution: Changes or modifications to this unit not expressly approved by the party responsible for compliance could void the user's authority to operate the equipment.

This device contains licence-exempt transmitter(s)/ receiver(s) that comply with Innovation, Science and Economic Development Canada's licence-exempt RSS(s). Operation is subject to the following two conditions:

- (1) This device may not cause interference.
- (2) This device must accept any interference, including interference that may cause undesired operation of the device.

RF exposure warning


This equipment complies with FCC radiation exposure limits set forth for an uncontrolled environment.


This equipment must be installed and operated in accordance with provided instructions and the antenna(s) used for this transmitter must be installed to provide a separation distance of at least 20 cm from all persons and must not be collocated or operating in conjunction with any other antenna or transmitter.

MPE caution (for mobile device under Part 15.247device)

To satisfy FCC & IC RF exposure requirements, a separation distance of 20 cm or more should be maintained between the antenna of this device and persons during device operation.

To ensure compliance, operations at closer than this distance is not recommended.

To disable the Wi-Fi module on DEEBOT, follow these steps: power on the robot, then place it on the OMNI Station, ensuring that the Charging Contacts on DEEBOT and the Station are properly connected, and press and hold the  for 30 s until you hear beeps.

To enable DEEBOT's Wi-Fi, please restart the robot or tap the .

SAVE THESE INSTRUCTIONS

For INDOOR household use ONLY.

This device contains licence-exempt transmitter(s)/ receiver(s) that comply with Innovation, Science and Economic Development Canada's licence-exempt RSS(s). Operation is subject to the following two conditions:

- (1) This device may not cause interference.
- (2) This device must accept any interference, including interference that may cause undesired operation of the device.

To satisfy FCC&IC RF exposure requirements, a separation distance of 20 cm or more should be maintained between the antenna of this device and persons during device operation.

To ensure compliance, operations at closer than this distance is not recommended.

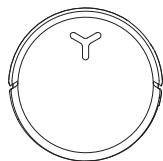
Device Update

Typically, some devices are updated bi-monthly, but not always so specific.

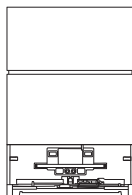
Some devices, especially those that went on sale more than three years ago, will only be updated if a critical vulnerability is found and fixed.

PACKAGE CONTENTS

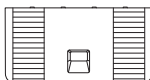
1 Package Contents



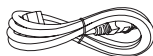
DEEBOT



OMNI Station



Base



Power Cord



Instruction Manual



Corner Guards



ECOVACS DEEBOT Cleaning Solution



ECOVACS DEEBOT Heavy-duty Cleaning Solution

Note:

*A thoughtful pair of corner guards is included to enhance user safety and improve handling comfort. To install: Align the inner slot of the corner guard with the edge and press it into place. Compatible with all DEEBOT corner designs.

*Figures in this manual are for reference only and may differ from the appliance. Product design and specifications are subject to changes without notice.

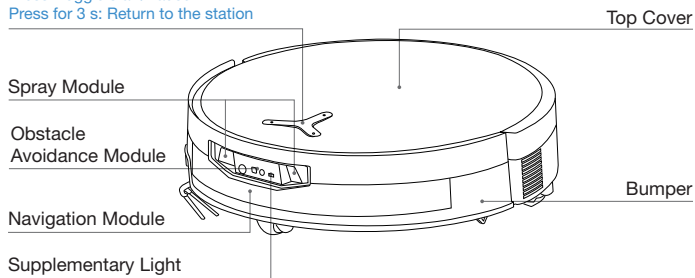
2 Product Diagram

1. DEEBOT Front View

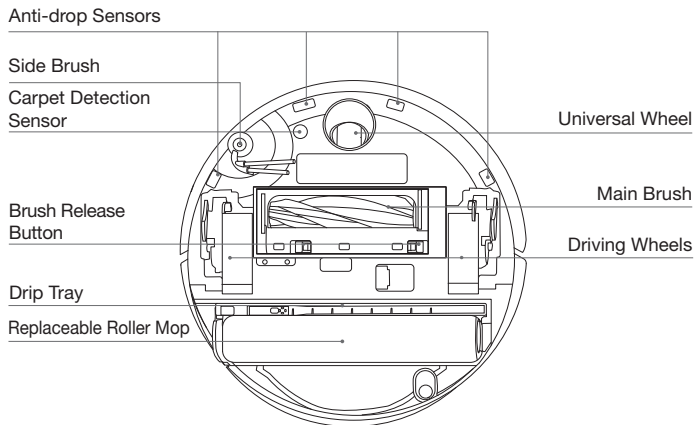
Buttons on DEEBOT:

Press: Toggle start/Pause

Press for 3 s: Return to the station



2. DEEBOT Bottom View

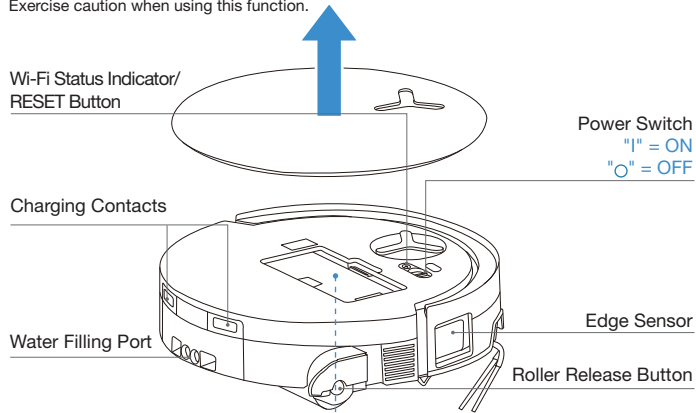


3. Inside DEEBOT (Under the Top Cover)

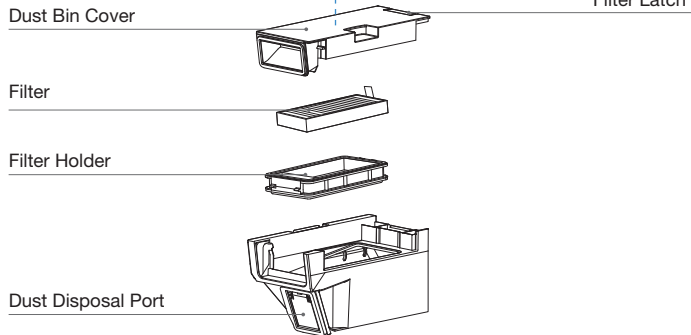
RESET Button

Network Setup: Press the RESET Button, and a voice prompt will be heard to connect DEEBOT to the App.

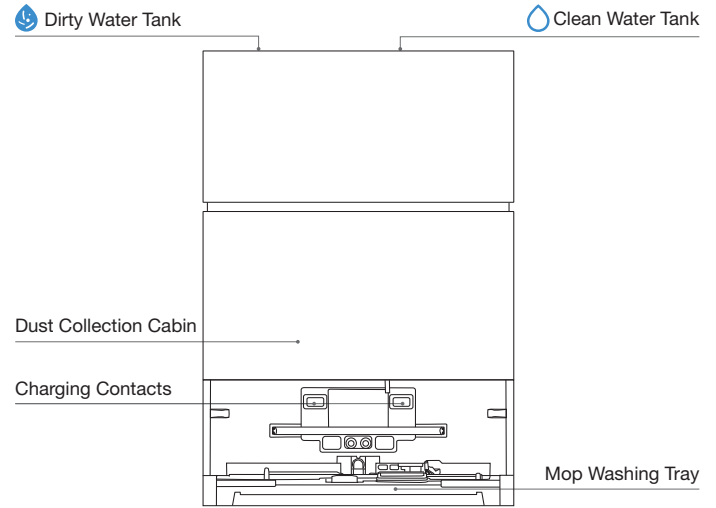
Restore default settings: Press and hold the RESET button for 5 seconds. After hearing the voice prompt, the startup music will play, and DEEBOT will be restored to its default settings. Exercise caution when using this function.



4. Dust Bin



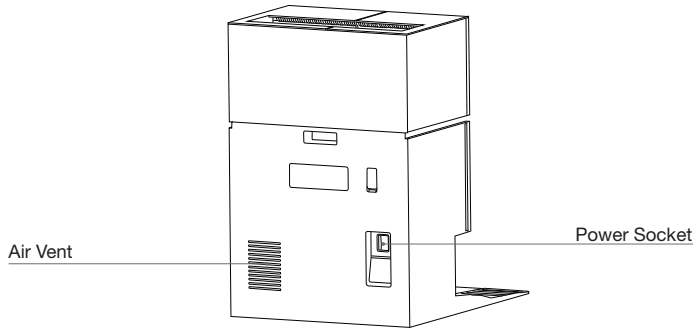
5. OMNI Station Front View



Note:

- Flashing Orange or Red: Please check the ECOVACS HOME App for the cause of the malfunction.
- If DEEBOT fails to charge, please wipe the charging contacts with a clean and dry cloth.

6. OMNI Station Back View



7. Indicator Light on DEEBOT

Light Effect	State
Breathing White	Charging
Solid White	Fully Charged/Running
Solid Red	Low Battery
Flashing Red	DEEBOT Alarm
Flashing Orange	Station Alarm

8. Sensors Overview

Name	Functional Description
Navigation Module	Laser Ranging is applied to measure the distance between DEEBOT and surrounding objects based on the time difference of reflection, allowing the module to map against the objects around while DEEBOT is moving. The detection range is 10 m.
Obstacle Avoidance Module	Infrared Ranging and similar triangles are applied to measure the distance between the surrounding objects and DEEBOT. When the sensor detects an object nearby, DEEBOT will automatically take a turn to avoid bumping into the object. The detection range is 0.3 m.
Anti-drop Sensors	Using the Time-of-Flight (dToF) principle, the dToF sensor located on DEEBOT's bottom continuously measures the distance between DEEBOT and the ground. Meanwhile, infrared sensors on the bottom detect the distance using infrared ranging technology. DEEBOT will not move forward when there are stairs in front (such as when the height of the white surface is 55 mm or more, or the height of the black surface is 30 mm or more) and the identified height exceeds the preset one, realizing the anti-drop feature.
Carpet Detection Sensor	The sensor emits 300 kHz ultrasound, whose energy will be absorbed by the carpet, causing the echoed energy to be lower than the threshold. DEEBOT thereby detects the carpet's presence. In the ECOVACS laboratory, more than 50 types of carpets available on the market are identified.
Anti-collision Sensor	With the principle of the Optocoupler Switch, DEEBOT will avoid obstacles when they are about to collide.
Edge Sensor	With Infrared Ranging, the edge sensor detects the distance between the DEEBOT and objects on the side. When there is a wall or obstacles on the right, the DEEBOT performs edge cleaning to avoid missing any spots and prevent collisions.
AIVI Camera	AI intelligent analysis is utilized for environmental sensing and efficient video management (for some models).
Microphone	The microphone captures sound through diaphragm vibrations caused by the human voice traveling through the air. This enables voice recording and Voice Control to direct the DEEBOT to complete the assigned job through the acquisition and algorithms of sound models. The effective wake distance is 5 m.
Infrared Stain Sensor	Using infrared lighting, DEEBOT detects particles and liquid dirt within 40 cm of the ground and implements intelligent cleaning strategies.

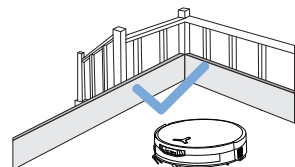
INITIAL SETUP AND USE

1 Notes before Cleaning



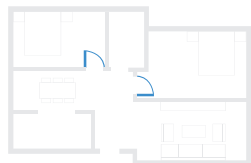
Tidy up the Area to be Cleaned

For the maximum cleaning area possible, put furniture, such as tables, chairs, and pedestal fans, in their proper place and put away low-lying items, such as weight scales, before using DEEBOT.



Prevent DEEBOT from Falling

Place a physical barrier at the edge of a drop, such as staircases and steps, to stop DEEBOT from falling over the edge.



Open Doors and Help DEEBOT Explore

Open all room doors to help DEEBOT fully explore your house during the first use.



Remove objects, including cables, clothes, and slippers, from the floor to improve cleaning efficiency.



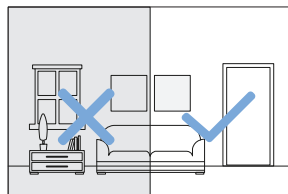
Before using the product on a carpet with tasseled edges, please fold the tassels under the carpet.



Please do not stand in narrow spaces, such as hallways, to avoid blocking the navigation module.



Ensure the clarity of DEEBOT's vision and avoid scratching or smudging the Obstacle Avoidance Module lens with fingerprints or oily stains. Use a clean, soft cloth to wipe the camera, instead of cleaning agents, detergents, or sprays.



Provide Sufficient Lighting

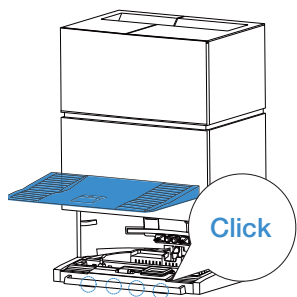
Ensure all cleaning areas are well-lit to support DEEBOT's Obstacle Avoidance Module in accurately avoiding obstacles such as shoes, socks, and cords.

2 Quick Start

Remove all protective materials before using the appliance.

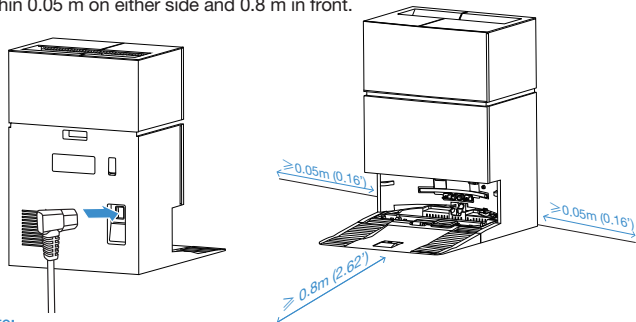
1. Station Installation

The sound of "click" indicates proper installation.



2. Assemble and Place the Station

Place the OMNI station against a flat, hard surface. Do not place items within 0.05 m on either side and 0.8 m in front.



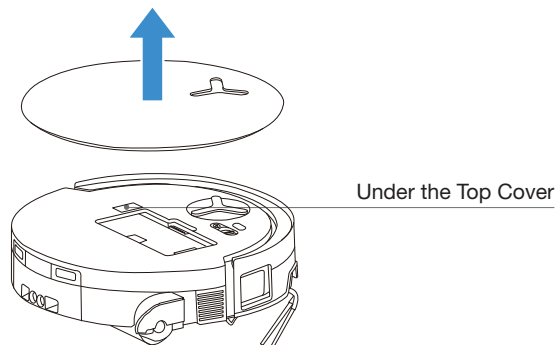
Note:

- If there are reflective objects such as mirrors and reflective skirting lines near the station, the bottom 14 cm of such objects should be covered.
- Do not place the station under direct sunlight or in high-temperature environments.
- Place the station in a location with a strong Wi-Fi signal for a better user experience.

3 Download ECOVACS HOME APP

To enjoy all available features, it is recommended that you control your DEEBOT via the ECOVACS HOME App.

Scan the QR code under the top cover to download the ECOVACS HOME App.


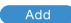


Or search "ECOVACS HOME" on the App Store or Google Play to download the ECOVACS HOME App.



Note: Follow the instructions on the App to complete the registration, login, and connection.

4 Connect DEEBOT with APP

Via Bluetooth: Turn on DEEBOT and your mobile phone Bluetooth. Allow the App to obtain mobile phone Bluetooth permission. Tap to scan the QR Code on DEEBOT or tap  or  in the App to find the nearby DEEBOT.

Via Wi-Fi: You can also choose to connect DEEBOT with the App through other methods according to the prompts on the App's page.


Note: Please connect via Bluetooth for a better experience.

Note: Please connect via Bluetooth for a better experience.

Wi-Fi Network Requirements:

- You are using a 2.4GHz or 2.4/5 GHz mixed network.
- Your router supports 802.11b/g/n and IPv4 protocol.
- Do not use a VPN (Virtual Private Network) or Proxy Server.
- Do not use a hidden network.
- WPA and WPA2 using TKIP, PSK, AES/CCMP encryption.
- WEP EAP (Enterprise Authentication Protocol) is not supported.
- Use Wi-Fi channels 1-11 in North America and channels 1-13 outside North America (refer to local regulatory agency).
- If you are using a network extender/repeater, the network name (SSID) and password are the same as those of your primary network.
- Please enable the WPA2 on your router.

Wi-Fi Indicator Light

	Slow flashing white light	Disconnected from Wi-Fi
	Fast flashing white light	Connecting
	Steady white light	Connected to Wi-Fi


Please be aware that intelligent features such as remote startup, voice interaction, 2D/3D map display and control settings, and personalized cleaning (depending on the Appliance) require the ECOVACS HOME App, which is constantly updated. You need to agree to our Privacy Policy and User Agreement so that we can process some of your essential and necessary information before you can use certain features of the ECOVACS HOME App to control the Appliance. If you disagree with our Privacy Policy and User Agreement, such features will be unavailable. However, you can still use the basic features of this appliance for manual operation.

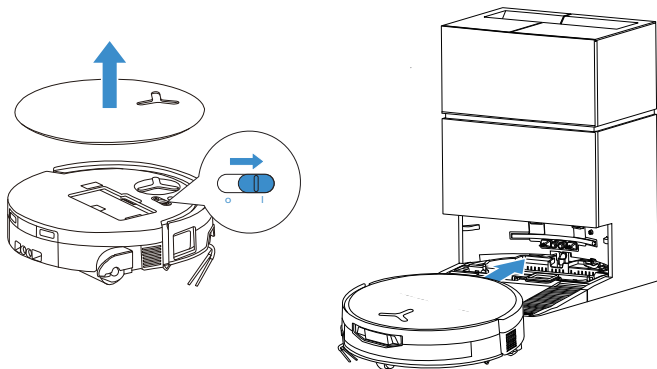
Network Interface Information

Name	Description
Infrared interface	The infrared interface is turned off by default, and it is activated when DEEBOT is in the charging station. When the DEEBOT is in the charging station, it will communicate with the charging station through the infrared interface.
Bluetooth	Enable Bluetooth to connect the robot to the network during the network setup process. Bluetooth uses the GAP1800, GATT 1801, 8888 service for configuration and data interaction securely.
Wi-Fi*	Facilitate data transfer between the app and DEEBOT, enabling control of DEEBOT through the app.
ECOVACS HOME App	ECOVACS products offer smart functions such as network setup, mapping, and cleaning mode selection (specific to each product). To utilize these features, users need to download and use the official ECOVACS Home App.

* The DEEBOT series robotic vacuums are designed for domestic cleaning scenarios. A home Wi-Fi network is required for operation, and anti-DDOS protection needs to be configured by users through route settings.

5 Power on and Charge DEEBOT

Turn on the power switch under DEEBOT's cover ('I' = ON, 'O' = OFF), and place DEEBOT in front of the station that is connected to the power supply. Use the App or voice control to recall DEEBOT, or press and hold  on DEEBOT for 3 s, to allow DEEBOT to dock for charging.

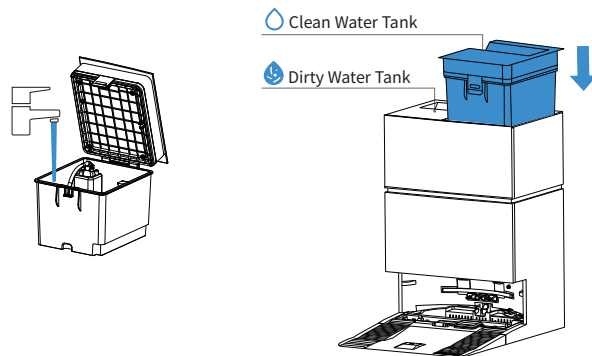


Note:

- DEEBOT cannot charge when it is powered off.
- After cleaning, it is recommended to keep DEEBOT powered on and charging to ensure it is ready for the next cleaning session.
- Please start cleaning from the station. Do not move the station while cleaning.

6 Fill the Clean Water Tank

Take out the clean water tank, open the tank cover, and fill the tank with water. Close the tank cover and reinstall the clean water tank.

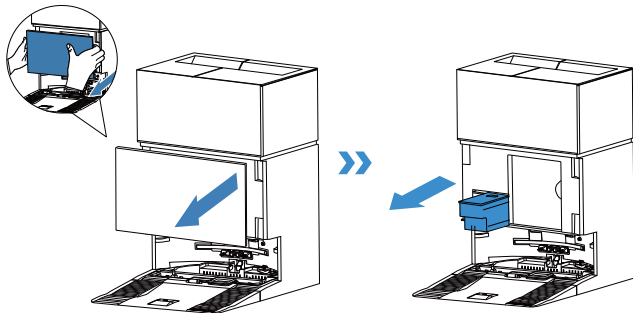


Note:

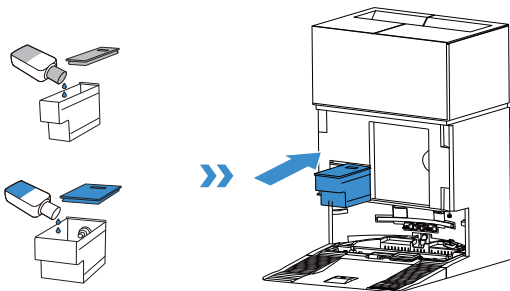
- Use only ECOVACS DEEBOT cleaning solution to avoid malfunctions.
- Use a clean, dry cloth to wipe off any water on the surface of the tank before placing it in position.
- Make sure to lock the top covers of both water tanks securely before use.
- Any watermarks in the water tanks are from function testing. Please use it with confidence.

7 Add Cleaning Solution

1. Take off the dust collection cabin cover, pull out the two cleaning solution boxes, and place them on a level, hard surface.



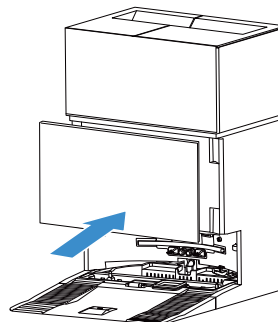
2. Pour the cleaning solution into the blue box and the heavy-duty cleaning solution into the black box. After securing the box lids, push them back into the station and close the tank lid.



Note:

- Do not pour cleaning solution into the clean water tank. Add it to the cleaning solution tank instead. Otherwise, an incorrect ratio may cause excessive foaming and reduce cleaning effectiveness.

3. Return the dust collection cabin cover and press the cover firmly to secure it in position.



Note:

- Do not overfill with cleaning solution, as it may overflow when the lid is secured. This step can be skipped if you do not use floor cleaning solution regularly and the Auto Cleaning Solution Dispense function can be disabled in the APP.
- For better performance and longer lifespan of the product, please use ECOVACS DEEBOT cleaning solution.
- Please make sure that no foreign objects fall into the cleaning solution box.

8 Operate DEEBOT for Cleaning


1. Start Mapping

Before the first mapping, please help eliminate a few potential issues. For example, DEEBOT may get stuck under furniture. Please refer to the following solutions:


- ① Raise the low-sitting furniture if possible;
- ② Cover the bottom of the furniture;
- ③ Set up a virtual boundary via the App.

2. Start Cleaning


- The DEEBOT's water tank is automatically refilled through the station. Manual refilling is not needed.
- When mopping, DEEBOT will recognize floor types and is able to lift mops automatically when encountering carpets. Please do not use DEEBOT on shaggy rugs or carpets. It is recommended to fold up the shaggy rugs during the cleaning process, or set the carpeted area as a no-entry zone by setting a virtual boundary in the App.

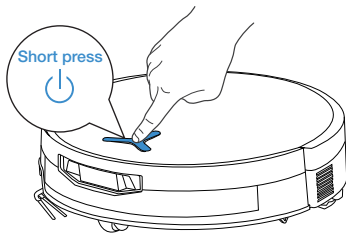
Please ensure that DEEBOT is in the station and is fully charged before cleaning for the first time. Tap  on DEEBOT to start. You can also use the ECOVACS HOME App or voice control to start.

3. Pause


Tap  on DEEBOT to pause it while it is working. You can also use the ECOVACS HOME App or voice control to pause DEEBOT.

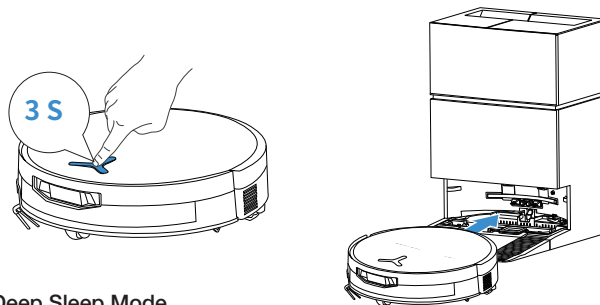
4. Wake Up

After pausing for a while, all indicator lights on DEEBOT will go out. To wake up DEEBOT, press .



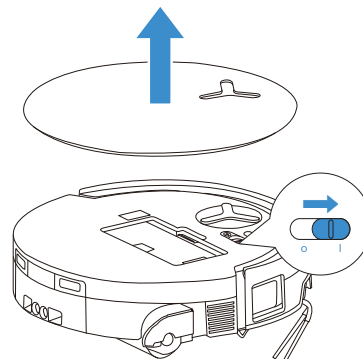
5. Back to Station

Use the ECOVACS HOME App or voice control to recall DEEBOT, or press and hold the  button on DEEBOT for 3 s, to allow DEEBOT to dock for charging.



6. Deep Sleep Mode

DEEBOT will enter deep sleep mode if it stays outside the station for about 10 h to protect the battery. Please switch OFF and ON to wake DEEBOT up.



When DEEBOT returns to the station during a task, PowerBoost Charging will start by default and take approximately 5 minutes. It will then switch to standard charging and stop automatically once fully charged.

REGULAR MAINTENANCE

① Maintenance Frequency

To keep DEEBOT running at peak performance, perform maintenance and replace parts at the following frequencies:

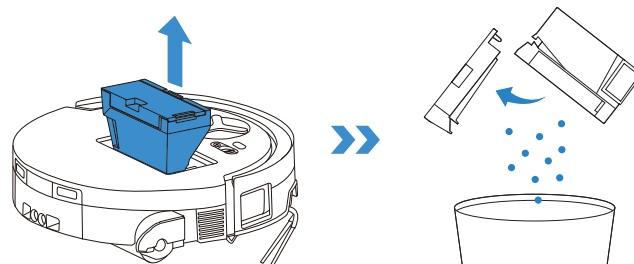
Part	Maintenance Frequency	Replacement
Replaceable Roller	/	Every 1-2 months
Drip Tray	Every week	/
Dust Bag	/	When the App prompts
Side Brush	Every 2 weeks	Every 3-6 months
Main Brush	Every week	Every 6-12 months
Filter	Every week	Every 3-6 months
Edge Sensor Universal Wheel Anti-drop Sensors Bumper Charging Contacts on DEEBOT Charging Contacts on OMNI Station Navigation Module Obstacle Avoidance Module	Approx. every month	/
Clean Water Tank	Every 3 months	/
Dirty Water Tank	Every month	/
Body and Bottom of the Station	Every month	/
Mop Washing Tray	Every 5 months	/
Cleaning Solution Unit	Every month	/

Note: Explore more accessories at the ECOVACS HOME App or at <https://www.ecovacs.com>.

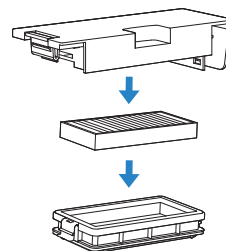
DEEBOT MAINTENANCE

① Maintain Dust Bin and Filter

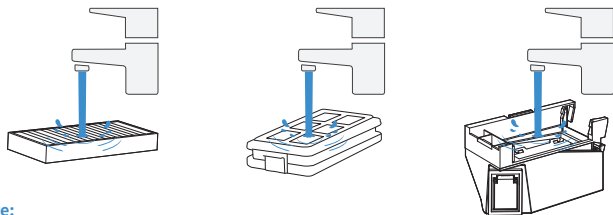
1. Remove the dust bin and then empty it.



2. Open the filter net and remove the filter.



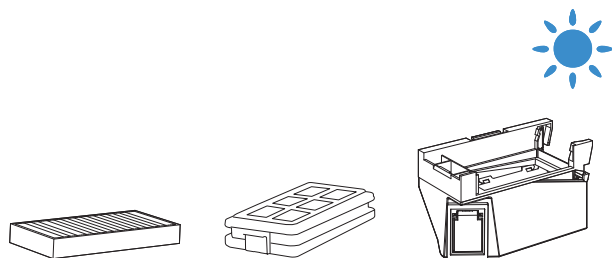
3. Rinse the dust bin and filter with water, and shake off the water droplets.



Note:

- Please rinse the filter with water as shown.
- Do not use fingers or brushes to clean the filter.

4. Air-dry the dust bin and filter.



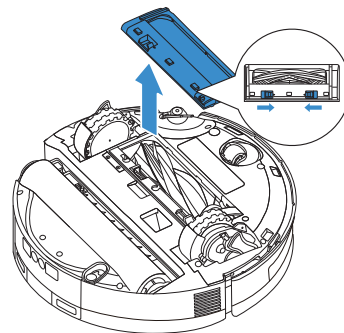
Note: Completely dry the components before use.

2 Maintain Main Brush and Side Brush

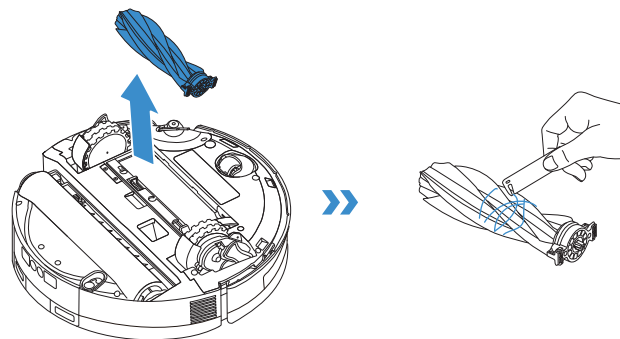
Clean the Main Brush.

1. Remove the cover from the main brush.

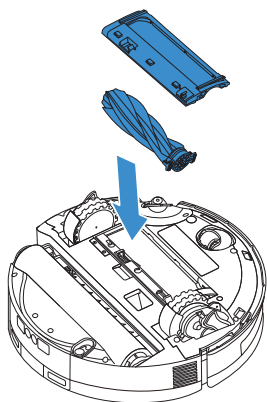
Note: Before turning DEEBOT upside down, please empty any remaining water from the drip tray.



2. Remove and clean the main brush and its chamber.

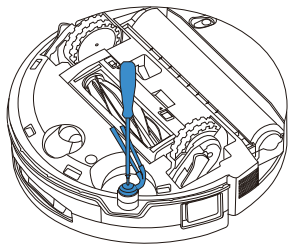


4. Install the main brush and the cover.



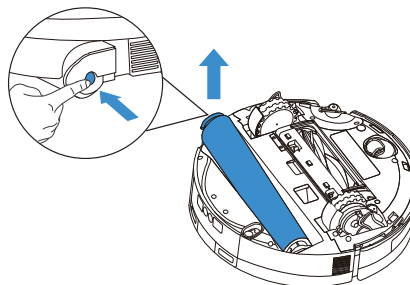
Clean the Side Brush

Remove the side brush using a screwdriver and clean it.

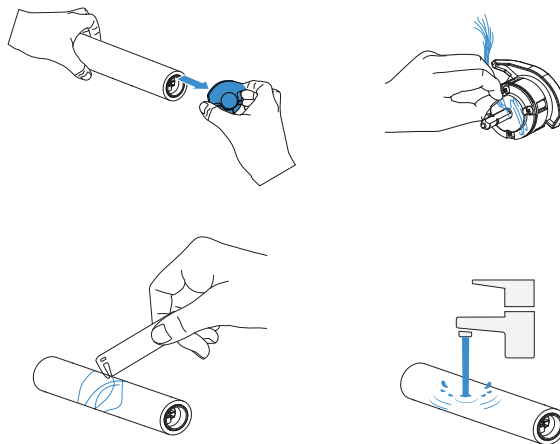


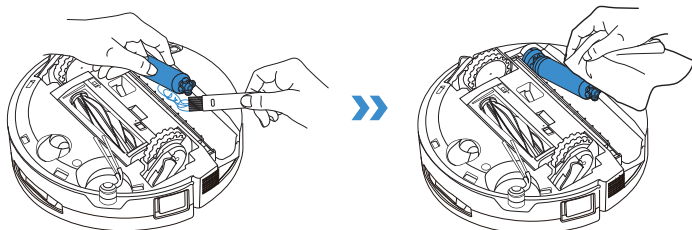
3 Maintain Roller Components

1. Press the roller release button on the side of the roller mop, gently lift, and remove the roller mop.



2. Remove the roller end cover, clean and dry the roller mop. Wipe the roller chamber with a damp cloth that has been wrung out.

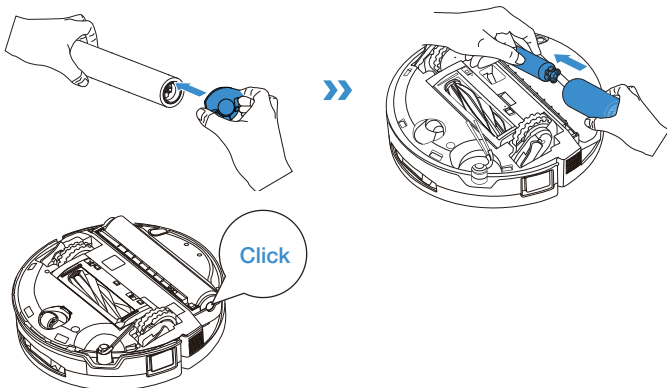




Note:

- Do not pull roller motor components forcefully during cleaning to avoid damage.
- Do not rinse DEEBOT with water.

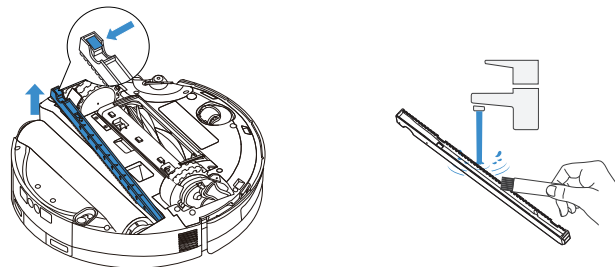
3. Reinstall the roller end cover and attach the roller mop to the motor. Once the mop is in place, align the roller release button with the groove on the side of the roller chamber and press it. A "click" sound indicates the mop is properly installed.



Note: Explore more accessories at the ECOVACS HOME App or at <https://www.ecovacs.com>.

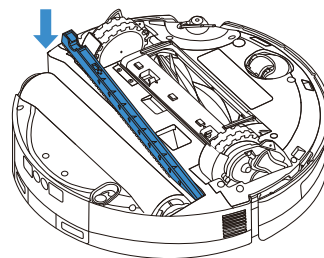
4 Maintain Drip Tray

1. Push up the release button to remove the drip tray, then clean and dry it.



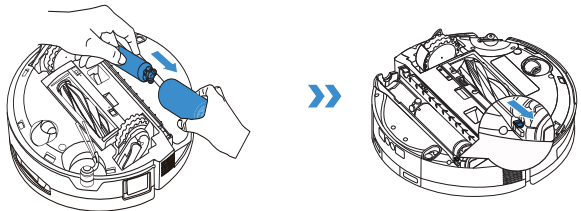
Note: A small amount of residual water may leak out when flipping DEEBOT if it's not in drying mode.

2. Reinstall the drip tray and press down firmly until it's properly installed.

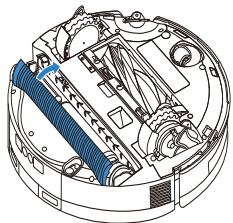


5 Clean Mop Roller Cover

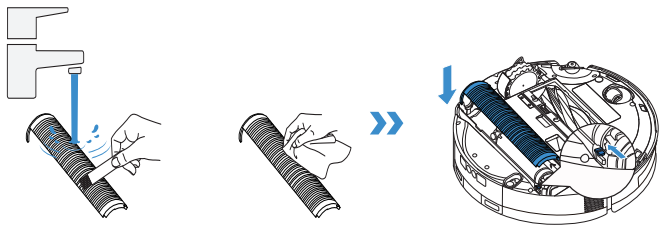
1. After removing the roller mop, slide the mop roller cover release switch to the right to unlock it.



2. Grip the mop roller cover by the groove on the roller chamber, then gently twist and lift it off.

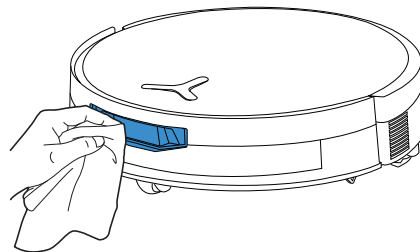


3. Once the mop roller cover is cleaned and dried, align its axle with the track on the left side of the roller chamber, reinstall it, and lock the release switch.

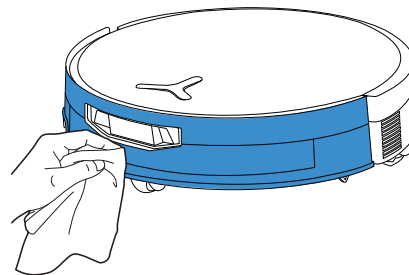


6 Maintain Other Components

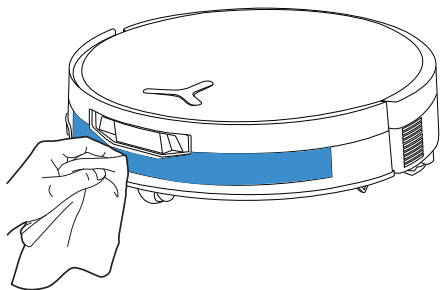
Clean the Obstacle Avoidance Module Lens



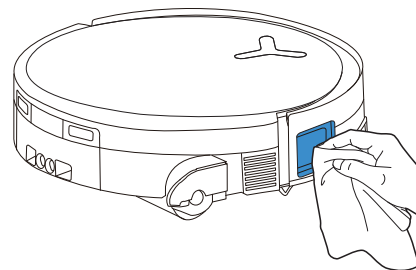
Clean the Bumper



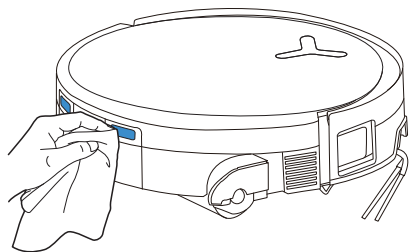
Clean the Navigation Module



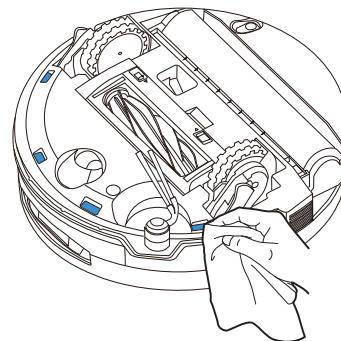
Clean the Edge Sensor



Clean Charging Contacts



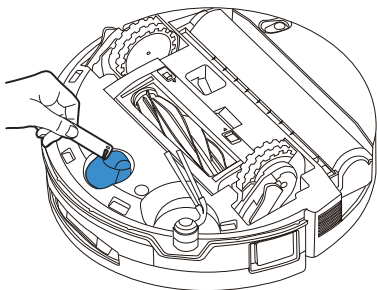
Clean the Anti-drop Sensors



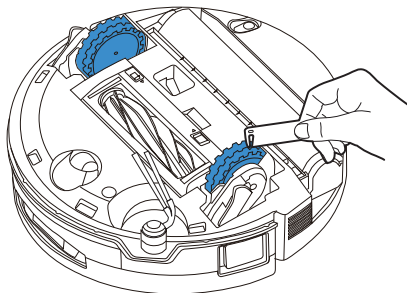
Note:

- Wipe the components with a clean, dry cloth. Never use a wet cloth. Do not use cleaning sprays or detergents, as moisture may cause damage.
- Charging contacts contain sensitive electronic components. Clean them with a dry cloth. Do not use a wet cloth to prevent water damage.

Clean the Universal Wheel



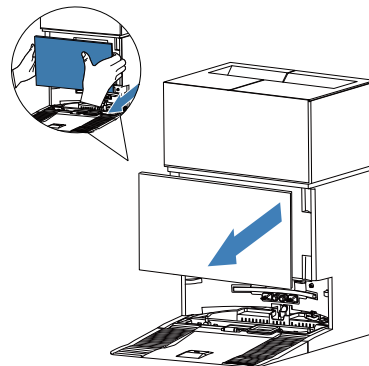
Clean the Driving Wheels



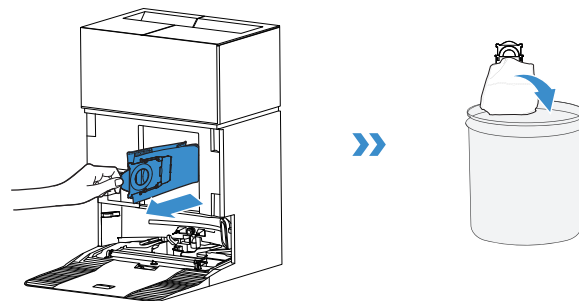
STATION MAINTENANCE

1 Maintain Dust Bin

1. Remove the dust collection cabin cover.

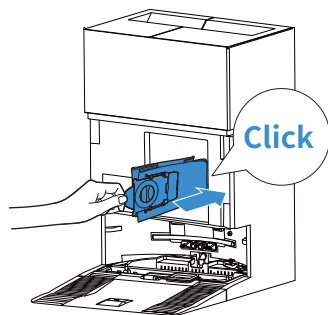


2. Remove the disposable dust bag in the direction of the arrow and discard it.

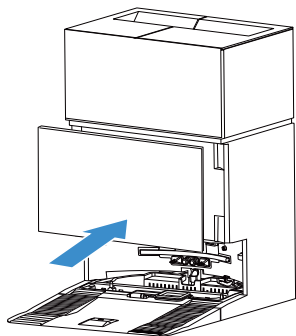


Note: Hold the handle to lift out the dust bag, which can effectively prevent dust leakage.

3. Clean the dust container with a dry cloth and install a new dust bag.

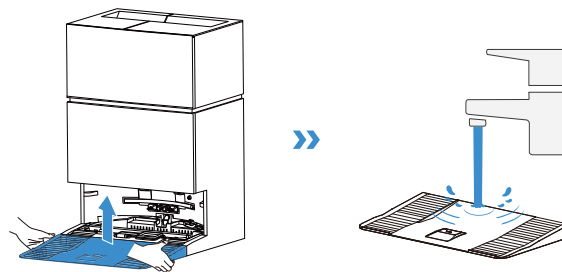


4. Insert the top latch of the dust container cover into the slot, and then press downward to ensure a proper seal.

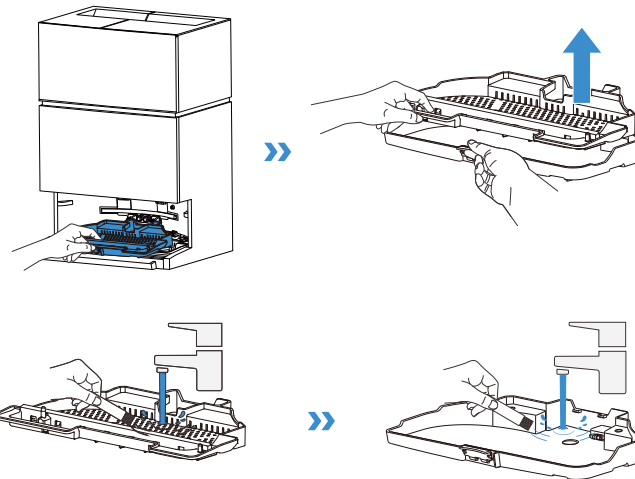


2 Maintain Mop Washing Tray

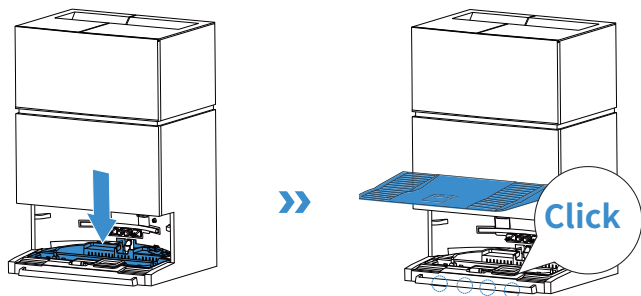
1. Remove and clean the station base.



2. Remove the mop washing tray. Press the latch on the tray to detach the filter and clean it.



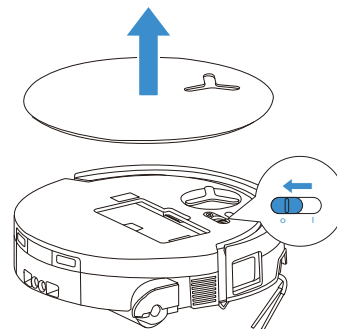
3. Reinstall the mop washing filter, tray, and station base in order. A "click" sound indicates they are securely in place.



Note: Please install the tray and base properly to prevent malfunction.

4 Storage

Please fully charge and switch OFF DEEBOT before storage. Please recharge it every 1.5 months to prevent the battery from over-discharging.




! Please note that DEEBOT cannot charge when powered OFF.

Note:

- After DEEBOT finishes its cleaning task, it is recommended not to power it off but to keep it charging, to better prepare for the next cleaning session.
- If the battery is over-discharged or not used for a long time, DEEBOT may not be charged. Please contact ECOVACS for help. Do not disassemble the battery by yourself.
- If you do not use DEEBOT for a long time, use the Device Relocation feature in the App to drain the clean water inside DEEBOT, keep the station water tanks empty, and the roller mops dry.

TROUBLESHOOTING

For the following possible issue, refer to the corresponding solutions.


No.	Malfunction	Possible Cause	Solution
1	DEEBOT is not able to connect to the ECOVACS HOME App.	Incorrect Wi-Fi username or password entered.	Enter the correct Wi-Fi username and password.
		DEEBOT is not within range of your home Wi-Fi signal.	Make sure DEEBOT is within range of your home Wi-Fi signal. Try to stay as close to the router as possible.
		DEEBOT is not in the configuration state.	Press the Reset button to connect DEEBOT to your phone by Bluetooth. If it fails, please press the Reset button +  and connect via the ECOVACS HOME App.
		There is no home Wi-Fi on the Wi-Fi list.	Check if the Wi-Fi name contains special characters. Please do not use special characters like !@#& ¥%/\. Do not use a 5 Ghz network.
		An incorrect App is installed.	Please download and install the ECOVACS HOME App.
2	Unable to create the furniture map in the App.	Moving DEEBOT when cleaning might cause the map to be lost.	During cleaning, do not move DEEBOT.
		Auto cleaning is not finished.	Make sure DEEBOT automatically returns to the OMNI Station after cleaning.
		Multi-floor mode was not enabled when the second map was created.	Please enable multi-floor mode in the App.
3	The side brush drops out of place during use.	The side brush is not properly installed.	When installing the side brush with a screwdriver, ensure the screw is tightened securely.
4	No signal found. Unable to return to the station.	The OMNI Station is incorrectly placed.	Place the station properly according to the instructions in the [Power on and Charge DEEBOT] section.
		Station is out of power or has been moved.	Check whether the OMNI Station is connected to the power supply. Do not move the OMNI Station.
		DEEBOT does not start cleaning from the OMNI Station.	It is recommended that DEEBOT start cleaning from the OMNI Station.
		The docking route is blocked. For example, the door is closed to the room where the station is placed.	Keep the charging route clear.



No.	Malfunction	Possible Cause	Solution
5	DEEBOT returns to the OMNI Station before it has finished cleaning.	The room is so large that DEEBOT needs to return to recharge.	Please enable auto resume. For more details, please follow the App instructions.
		In highly complex home layouts, cleaning efficiency may decrease, possibly resulting in incomplete cleaning.	Simplify your home layout.
6	DEEBOT is unable to charge.	DEEBOT is not switched ON.	Switch ON DEEBOT.
		DEEBOT's charging contacts are not connected to the OMNI station's charging contacts.	Make sure that DEEBOT's charging contacts have connected to the station's charging contacts and 🔌 flashes. Check whether DEEBOT's and OMNI station's charging contacts are dirty. Please clean these parts according to the instructions in the [REGULAR MAINTENANCE] section.
		The OMNI Station is not connected to the power supply.	1. Make sure the OMNI station is connected to power supply. 2. Once the power is connected, ensure that the motor startup sound can be heard.
		The base has not been installed in place.	Refer to the [Quick Start] section for correct installation.
7	DEEBOT is very loud during cleaning.	The main brush/side brush/roller mop is tangled, or the dust bin is blocked.	It is recommended to clean the main brush, side brush, dust bin, roller mop, etc., regularly.
		DEEBOT is in Strong Suction Mode or Max Suction Power Mode.	Switch to Standard or Quiet Mode. Quiet Mode may reduce cleaning performance.
8	DEEBOT gets stuck while working and stops.	DEEBOT is tangled with objects on the floor (electrical wires, curtains, carpet fringing, etc.).	DEEBOT will try various ways to free itself. If its attempts fail, manually remove the obstacles and restart.
		DEEBOT might be stuck under furniture with an entrance of similar height.	Please raise the furniture, set a physical barrier, or set a virtual boundary via the ECOVACS HOME App.
		DEEBOT is stuck in a narrow area.	Tidy up your home, set a physical barrier, or set a virtual boundary via the ECOVACS HOME App.

No.	Malfunction	Possible Cause	Solution
9	During cleaning, DEEBOT may encounter issues like a disorderly route, biased movement, repeated cleaning over the same spots, and missing small areas.	A large area has not been cleaned, possibly because it was blocked.	Ensure the door is open, clear potential obstacles, such as slippers and scattered cords. DEEBOT will perform supplementary cleaning before the cleaning session is finished.
		The driving wheels may slip on the ground when DEEBOT climbs steps, thresholds, and door bars, which can affect its judgment of the entire home environment.	Close the door of the room, or set a virtual boundary in the App. You can then bring DEEBOT into the room to clean it separately.
		On freshly waxed or polished floors, as well as smooth tiles, there may be less friction between the driving wheels and the floor.	Please wait for the wax to dry before cleaning.
10	After returning to the OMNI station, DEEBOT does not empty its dust bin.	The Auto-Empty function has not been turned on in the App.	Turn on the Auto-Empty function in the App.
		Manually moving DEEBOT back to the station will not trigger the Auto-Empty function.	It is recommended to allow DEEBOT to return to the OMNI Station on its own. Please do not manually move it.
		In Do Not Disturb mode, DEEBOT will not empty the dust after returning to the OMNI Station.	Turn off Do Not Disturb in the App or manually start dust-emptying.
		The station detects a decrease in empty efficiency.	Replace the dust bag according to the [REGULAR MAINTENANCE] section and close the dust collection cabin. If the dust bag is not full when prompted by the App, you can put it back again.
		Check if the dust bin is full and causes a blockage.	Clean the dust bin according to the [REGULAR MAINTENANCE] section.
		If the above possible causes have been ruled out, components of the station may be abnormal.	Please contact customer service for assistance.

No.	Malfunction	Possible Cause	Solution
11	Auto-Empty unsuccessful.	The station detects a decrease in empty efficiency.	Please replace the dust bag according to the [REGULAR MAINTENANCE] instructions and securely close the dust collection cabin door. If the replacement prompt appears but the bag is not full, remove, reinsert, and then properly secure the cabin.
		The outlet of the dust bin is blocked by foreign objects.	Remove the dust bin and clear the foreign objects on the outlet.
12	The inner side of the dust collection cabin is dirty.	Fine particles pass through the dust bag and accumulate on the inner side of the dust collection cabin.	Clean the inner side of the dust collection cabin.
		The dust bag is broken.	Check and replace the dust bag.
		The dust bag is not properly installed.	Please install the dust bag properly.
		The dust container cover is not closed.	Please check if the dust container cover is closed properly.
13	Dust leakage occurs while DEEBOT is working.	The outlet of the dust bin is blocked by foreign objects.	Remove the dust bin and clear the foreign objects on the outlet.
14	The roller mop does not rotate.	The roller mop is not correctly installed.	Install the roller mop properly according to the [REGULAR MAINTENANCE] section.
		The roller mop is blocked by foreign objects.	Clean and install the roller mop properly according to the [REGULAR MAINTENANCE] section.
15	The driving wheel is stuck.	The driving wheel is entangled or stuck due to foreign objects.	Rotate and press the driving wheel to check for any wrapping or obstruction by foreign objects. If any foreign objects are found, please clean them promptly. If this issue persists, please contact customer service for assistance.

No.	Malfunction	Possible Cause	Solution
16	The mop washing tray is full of water and cannot be emptied. A voice prompt reports the mop washing tray malfunction.	The dirty water tank is not properly installed.	Tap down on the dirty water tank to ensure it is properly installed.
		The sealing plugs in the dirty water tank are not installed properly.	Make sure that the two sealing plugs are properly installed.
		The mop washing tray is not properly installed.	Check and ensure the mop washing tray is properly installed.
		Check if the floating ball gets stuck when there is no water in the mop washing tray base.	Take out the mop washing tray to put the floating ball back in place.
		The OMNI Station cannot drain water normally.	Place DEEBOT in the station. After ensuring it's charging, double tap  . If the issue persists, please contact customer service for assistance.
		The suction port of the mop washing tray is blocked by foreign objects or dirt.	Please clean the mop washing tray and its filter, and make sure the inlet is free of any foreign objects.
		The voice alert persists after all the above solutions are tried.	Power off and on the station. If this issue persists, please contact customer service for assistance.

Please contact our customer service for assistance if the problem persists despite the recommended solutions.



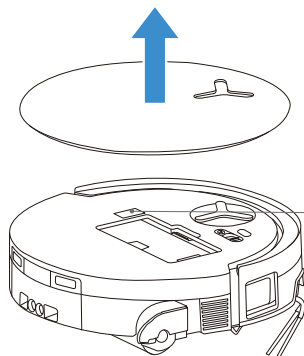
TECHNICAL SPECIFICATIONS

Model	DEX35		
Rated Input	17.8 V === 2 A	Fast Charge Input	16.4 V === 10.5 A
Charging Time	about 4.5 h		
Station Model	CH2542		
Rated Input	110-120 V ~ 50-60 Hz		
Nominal Charge Output	17.8 V === 2 A	Fast Charge Output (Short Time)	16.4 V === 10.5 A
Rated Input Current (Charging)	3 A	Power (Emptying)	4.5 A
Power (Hot Water Washing Mop)	4A		

Output power of the wireless module is less than 100 mW.

Note: Technical and design specifications may be changed for continuous product improvement.

Explore more accessories at <https://www.ecovacs.com>.



Please use the mobile camera to scan the QR code and obtain the user guide.

CONSIGNES DE SÉCURITÉ IMPORTANTES

CONSIGNES DE SÉCURITÉ IMPORTANTES

LISEZ TOUTES LES INSTRUCTIONS AVANT D'UTILISER CET APPAREIL.

Lors de l'utilisation d'un appareil électrique, il faut toujours suivre les précautions de base, notamment les suivantes :

AVERTISSEMENT : lisez tous les avertissements et toutes les instructions de sécurité.

Le non-respect des avertissements et instructions peut entraîner un choc électrique, un incendie ou des blessures graves.

1. Ne permettez pas l'utilisation de l'appareil comme s'il s'agissait d'un jouet. Une attention particulière est nécessaire lorsqu'il est utilisé par des enfants ou à proximité de ceux-ci.
2. Dégagez la zone à nettoyer. Retirez les cordons d'alimentation et les petits objets du sol qui pourraient enchevêtrer l'appareil. Rentrez les franges du tapis sous la base du tapis et soulevez les articles tels que les rideaux et les nappes du sol.
3. S'il y a une chute dans la zone de nettoyage en raison d'une marche ou d'un escalier, vous devez utiliser l'appareil pour vous assurer qu'il peut détecter la marche sans chuter. Il peut être

nécessaire de placer une barrière physique sur le bord pour empêcher l'appareil de tomber.

Assurez-vous que la barrière physique ne présente pas de risque de trébuchement.

4. Utilisez l'appareil uniquement comme décrit dans le présent manuel. N'utilisez que des accessoires recommandés ou vendus par le fabricant.
5. Ne manipulez pas la fiche ou l'appareil avec les mains mouillées.
6. Les piles non rechargeables sont interdites.
7. N'utilisez pas l'appareil sans bac à poussière et/ou filtres en place.
8. N'utilisez pas l'aspirateur dans un endroit où il y a des bougies allumées ou des objets fragiles sur le sol à nettoyer.
9. N'utilisez et n'entrez pas l'appareil dans des environnements extrêmement chauds ou froids (moins de -5 °C / 23 °F ou plus de 40 °C / 104 °F). Veuillez recharger le robot à une température supérieure à $0\text{ °C}/32\text{ °F}$ et inférieure à $40\text{ °C}/104\text{ °F}$.
10. Gardez les cheveux, les vêtements amples, les doigts et toutes les parties du corps à l'écart des ouvertures et des pièces mobiles.
11. N'utilisez pas l'appareil dans une pièce où un bébé ou un enfant dort.
12. Pour un usage à L'INTÉRIEUR SEULEMENT. N'utilisez pas l'appareil dans des environnements extérieurs, commerciaux ou industriels. N'utilisez pas l'appareil sur des surfaces mouillées ou sur lesquelles il y a de l'eau stagnante.

13. Ne laissez pas l'appareil ramasser de gros objets, comme des pierres, de gros morceaux de papier ou tout autre objet qui pourrait l'obstruer.
14. N'utilisez pas l'appareil pour ramasser des matériaux inflammables ou combustibles, comme de l'essence, de la poudre d'encre d'imprimante ou de photocopieur, et ne l'utilisez pas dans des endroits où il pourrait y en avoir.
15. Ne ramassez rien qui brûle ou fume, comme des cigarettes, des allumettes, des cendres chaudes ou toute autre chose qui pourraient causer un incendie.
16. Ne mettez aucun objet dans les ouvertures. N'utilisez pas l'appareil alors qu'une ouverture est bloquée; maintenez-le exempt de poussière, de peluches, de cheveux et de tout ce qui peut réduire la circulation de l'air.
17. Prenez soin de ne pas endommager le cordon d'alimentation. Ne tirez pas ou ne transportez pas l'appareil ou la station d'accueil par le cordon d'alimentation, n'utilisez pas le cordon d'alimentation comme poignée, ne fermez pas une porte sur le cordon d'alimentation et ne tirez pas sur le cordon d'alimentation autour de bordures ou des coins tranchants. Ne déplacez pas l'appareil et la station d'accueil par-dessus le cordon d'alimentation. Gardez le cordon d'alimentation à l'écart des surfaces chaudes. Ne débranchez pas l'appareil en tirant sur le cordon. Pour procéder au débranchement, prenez la fiche et non le cordon.
18. Si le cordon d'alimentation est endommagé, il doit être remplacé par le fabricant ou son agent de service afin d'éviter tout danger.
19. N'utilisez pas l'appareil s'il a un cordon d'alimentation ou une fiche endommagée. N'utilisez pas l'appareil ou la station d'accueil s'il ne fonctionne pas correctement, s'il est tombé, endommagé, s'il est laissé à l'extérieur ou s'il est entré en contact avec de l'eau. Il doit être réparé par le fabricant ou son agent de service afin d'éviter tout danger.
20. Mettez l'interrupteur d'alimentation en position d'arrêt avant de nettoyer ou d'entretenir l'appareil. Éteignez toutes les commandes avant de procéder au débranchement. Éteignez toujours cet appareil avant de brancher ou de débrancher la brosse motorisée.
21. Mettez l'interrupteur d'alimentation en position d'arrêt avant de retirer le bac à poussière.
22. Retirez l'appareil de la station d'accueil et mettez l'interrupteur d'alimentation de l'appareil en position d'arrêt avant de retirer la batterie pour la mise au rebut de l'appareil.
23. La batterie doit être retirée et jetée conformément aux lois et réglementations locales avant de mettre au rebut l'appareil.
24. Veuillez jeter les batteries usagées conformément aux lois et réglementations locales.
25. N'incinerez pas l'appareil même s'il est gravement endommagé. En cas d'incendie, les batteries peuvent exploser.

26. Lorsque vous n'utilisez pas la station d'accueil, débranchez-la de la prise lorsqu'elle n'est pas utilisée et avant un entretien.
27. L'appareil doit être utilisé conformément aux instructions du présent manuel d'instructions. Ecovacs Home Service Robotics ne peut être tenu responsable des dommages ou blessures causés par une mauvaise utilisation.
28. Évitez les démarrages involontaires. Assurez-vous que l'interrupteur est en position d'arrêt avant d'effectuer la connexion au bloc-pile, de ramasser ou de transporter l'appareil.
29. Lorsque le bloc-pile n'est pas utilisé, gardez-la à l'écart des autres objets métalliques, comme les trombones, pièces de monnaie, clés, clous, vis ou autres petits objets métalliques, qui peuvent établir une connexion d'une borne à l'autre. Court-circuiter les bornes de la batterie peut causer des brûlures ou un incendie.
30. Dans des conditions abusives, du liquide peut être éjecté de la batterie; Évitez le contact. En cas de contact accidentel, rincez à l'eau. Si du liquide entre en contact avec les yeux, consultez également un médecin. Le liquide éjecté de la batterie peut causer une irritation ou des brûlures.
31. N'utilisez pas un bloc-pile ou un appareil endommagé ou modifié. Les batteries endommagées ou modifiées peuvent présenter un comportement imprévisible entraînant un incendie, une explosion ou un risque de blessures.
32. N'exposez pas un bloc-pile ou un appareil au feu ou à une température excessive. L'exposition à du feu ou à une température supérieure à 130 °C peut causer une explosion. La température de 130 °C peut être remplacée par la température de 265 °F.
33. Suivez toutes les instructions de recharge et ne rechargez pas le bloc-pile ou l'appareil en dehors de la plage de températures spécifiée dans les instructions. Une charge incorrecte ou à des températures hors de la plage spécifiée peut endommager la batterie et augmenter le risque d'incendie.
34. Faire effectuer l'entretien par un réparateur qualifié en utilisant uniquement des pièces de rechange identiques. Cela permettra de maintenir l'innocuité du produit.
35. Ne modifiez pas et n'essayez pas de réparer l'appareil ou le bloc-pile (le cas échéant), sauf dans les cas indiqués dans le mode d'emploi et d'entretien.
36. Placez les cordons des autres appareils à l'extérieur de la zone à nettoyer.
37. N'utilisez pas l'aspirateur dans une pièce où il y a des bougies allumées sur des meubles que l'aspirateur pourrait accidentellement heurter.
38. Ne laissez pas les enfants s'asseoir sur l'aspirateur.
39. Utilisez l'appareil uniquement comme décrit dans le présent manuel. N'utilisez que les accessoires recommandés par le fabricant.

40. Recharger uniquement avec le chargeur spécifié par le fabricant. Un chargeur qui est adapté à un type de bloc-pile peut créer un risque d'incendie lorsqu'il est utilisé avec un autre bloc-pile.
41. N'utilisez les appareils qu'avec des blocs-piles spécifiquement conçus. L'utilisation de tout autre bloc-piles peut créer un risque de blessure et d'incendie.
42. Le robot contient des batteries qui ne peuvent être remplacées que par des personnes qualifiées. Pour remplacer la batterie du robot, veuillez contacter le service à la clientèle.
43. Si le robot n'est pas utilisé pendant une période prolongée, chargez-le complètement et éteignez-le pour le ranger et débranchez la station d'accueil.
44. Pour réduire le risque d'électrocution – N'utilisez pas l'appareil à l'extérieur ni sur des surfaces mouillées. N'exposez pas l'appareil à la pluie. Conservez l'appareil à l'intérieur.
45. Pour réduire le risque de blessure causée par les pièces mobiles, débranchez l'appareil avant l'entretien.
46. Risque de blessures. La brosse peut démarrer de manière inattendue. Procédez au débranchement avant d'effectuer un nettoyage ou un entretien.
47. Pour réduire le risque de blessures, l'utilisateur doit lire le manuel d'instructions.
48. Pour réduire le risque d'électrocution – Ne pas utiliser à l'extérieur ni sur des surfaces mouillées.
49. Veuillez vous assurer que votre tension d'alimentation électrique correspond à la tension d'alimentation indiquée sur la station d'accueil.

50. N'utilisez pas la station d'accueil si elle est endommagée.
51. La fiche doit être retirée de la prise avant de nettoyer ou d'entretenir la station d'accueil.
52. Interrupteur d'alimentation : « I » = Activé, « O » = Désactivé.

— — —	Courant continu
~	Courant alternatif

Cet appareil est conforme aux règles sur les rayonnements du DHHS, 21CFR, chapitre 1, sous-chapitre J.

Déclaration sur les interférences de la Federal Communications Commission (FCC)

REMARQUE : Cet équipement a été testé et jugé conforme aux limites d'un appareil numérique de classe B, conformément à la partie 15 des règles de la FCC.

Ces limites sont conçues pour fournir une protection raisonnable contre les interférences nuisibles dans une installation résidentielle. Cet équipement génère, utilise et peut produire de l'énergie de radiofréquence et, s'il n'est pas installé et utilisé conformément aux instructions, peut causer des interférences nuisibles aux communications radio.

Cependant, il n'y a aucune garantie qu'il n'y aura pas d'interférence dans une installation en particulier. Si cet équipement cause des interférences nuisibles à la

réception radio ou télévision, ce qui peut être déterminé en éteignant et en rallumant l'équipement, l'utilisateur est encouragé à essayer de corriger l'interférence par l'une ou plusieurs des mesures suivantes :

- Réorienter ou déplacer l'antenne de réception.
- Augmenter l'espacement entre l'équipement et le récepteur.
- Brancher l'équipement dans une prise d'un circuit différent de celui auquel le récepteur est connecté.
- Consulter le détaillant ou un technicien radio ou télé expérimenté pour obtenir de l'aide.

Cet appareil est conforme à la partie 15 des règles de la FCC. L'utilisation est assujettie aux deux conditions suivantes :

- (1) Cet appareil ne doit pas causer d'interférence nuisible, et
- (2) cet appareil doit accepter toute interférence reçue, y compris les interférences qui pourraient causer un fonctionnement indésirable.

Mise en garde : Les changements ou les modifications apportés à cet appareil qui ne sont pas expressément approuvés par la partie responsable de la conformité pourraient annuler le droit de l'utilisateur d'utiliser l'équipement.

Cet appareil contient des émetteurs/récepteurs exempts de licence qui sont conformes aux CNR exempts de licence d'Innovation, Sciences et Développement économique Canada. L'utilisation est assujettie aux deux conditions suivantes :

- (1) Cet appareil ne doit pas causer d'interférence.
- (2) Cet appareil doit accepter toute interférence, y compris

les interférences qui pourraient causer un fonctionnement indésirable de l'appareil.


Avertissement d'exposition aux RF

Cet équipement est conforme aux limites d'exposition au rayonnement de la FCC établies pour un environnement non contrôlé.

Cet équipement doit être installé et utilisé conformément aux instructions fournies, et les antennes utilisées pour cet émetteur doivent être installées de manière à assurer une distance de séparation d'au moins 20 cm de toutes les personnes et ne doivent pas être placées à côté ou fonctionner conjointement avec une autre antenne ou émetteur.

Mise en garde de la MPE (pour les appareils mobiles en vertu de la partie 15.247)

Pour satisfaire les exigences relatives à l'exposition aux RF de la FCC et d'IC, une distance de séparation de 20 cm ou plus doit être maintenue entre l'antenne de cet appareil et les personnes pendant le fonctionnement de l'appareil. Pour assurer la conformité, il n'est pas recommandé d'utiliser l'appareil à une distance inférieure à cette indication.

Pour désactiver le module Wi-Fi sur le DEEBOT, procédez comme suit : allumez le robot, puis placez-le sur la station OMNI, en vous assurant que les contacts de charge sur le DEEBOT et la station sont correctement connectés, et maintenez enfoncé le bouton  pendant 30 secondes jusqu'à ce que vous entendiez des bips.

Pour activer le Wi-Fi du DEEBOT, veuillez redémarrer le robot ou toucher .

CONSERVEZ CES INSTRUCTIONS

Pour un usage domestique à L'INTÉRIEUR SEULEMENT.

Cet appareil contient des émetteurs/récepteurs exempts de licence qui sont conformes aux CNR exempts de licence d'Innovation, Sciences et Développement économique Canada. L'utilisation est assujettie aux deux conditions suivantes :

(1) Cet appareil ne doit pas causer d'interférence.

(2) Cet appareil doit accepter toute interférence, y compris les interférences qui pourraient causer un fonctionnement indésirable de l'appareil.

Pour satisfaire les exigences relatives à l'exposition aux RF de la FCC et d'IC, une distance de séparation de 20 cm ou plus doit être maintenue entre l'antenne de cet appareil et les personnes pendant le fonctionnement de l'appareil.

Pour assurer la conformité, il n'est pas recommandé d'utiliser l'appareil à une distance inférieure à cette indication.

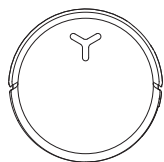
Mise à jour de l'appareil

Généralement, certains appareils sont mis à jour tous les deux mois, mais pas toujours aussi précis.

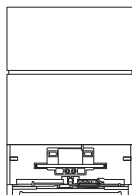
Certains appareils, en particulier ceux qui ont été mis en vente il y a plus de trois ans, ne seront mis à jour que si une vulnérabilité critique est trouvée et corrigée.

CONTENU DE L'EMBALLAGE

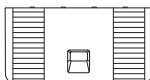
1 Contenu de l'emballage



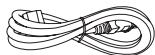
DEEBOT



Station OMNI



Base



Cordon d'alimentation



Manuel d'instructions



Protège-coins



Solution de nettoyage ECOVACS DEEBOT



Solution de nettoyage robuste ECOVACS DEEBOT

Remarque :

* Une paire de protège-coins bien pensés est incluse pour améliorer la sécurité de l'utilisateur et le confort de manipulation. Pour l'installation : alignez la fente intérieure du protège-coin avec la bordure et pressez-le en place. Compatible avec toutes les configurations d'angle du DEEBOT.

* Les chiffres du présent manuel sont fournis à titre indicatif seulement et peuvent différer de ceux de l'appareil. La conception et les spécifications du produit peuvent être modifiées sans préavis.

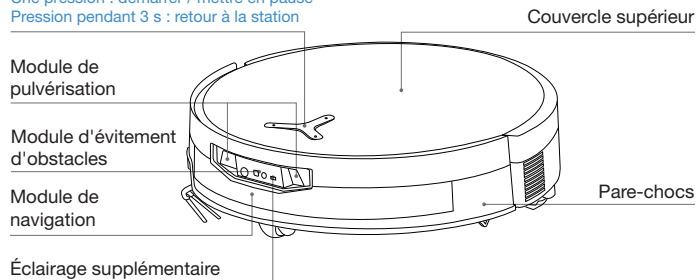
2 Schéma du produit

1. Vue de face du DEEBOT

Boutons sur le DEEBOT :

Une pression : démarrer / mettre en pause

Pression pendant 3 s : retour à la station



2. Vue du bas du DEEBOT

Capteurs anti-chute

Brosse latérale

Capteur de détection de tapis

Bouton de déverrouillage de la brosse

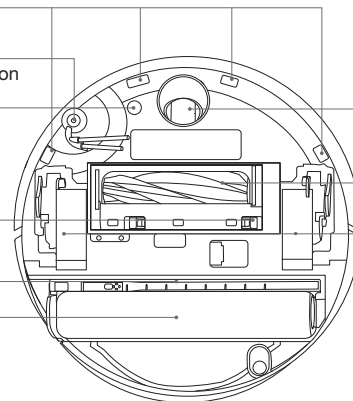
Bac d'égouttage

Serpillière à rouleau remplaçable

Roue universelle

Brosse principale

Roues motrices

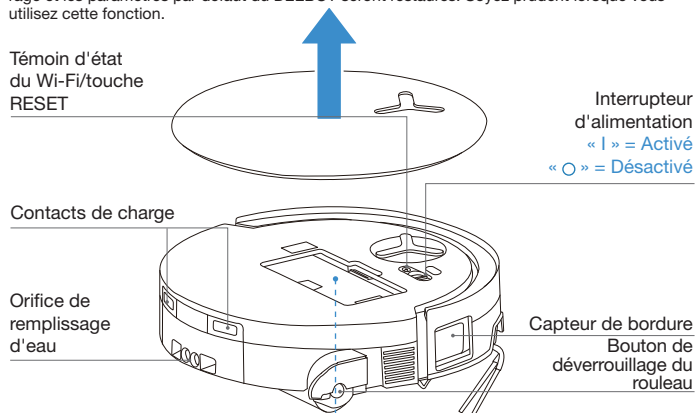


3. À l'intérieur du DEEBOT (sous le couvercle supérieur)

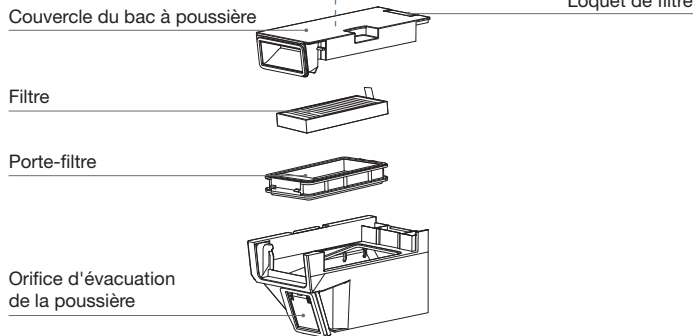
Touche RESET (Réinitialisation)

Configuration réseau : Appuyez sur la touche RESET et vous entendrez une invite vocale pour connecter le DEEBOT à l'application.

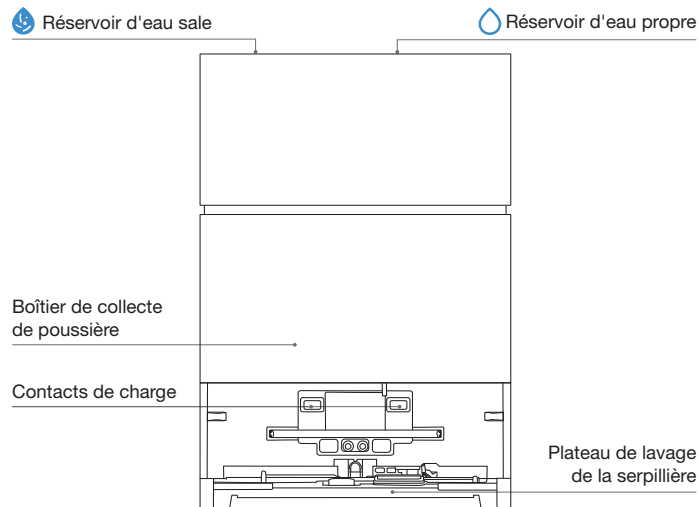
Restaurer les paramètres par défaut : appuyez sur la touche RESET et maintenez-le enfoncé pendant 5 secondes. Après avoir entendu l'invite vocale, vous entendrez la musique de démarrage et les paramètres par défaut du DEEBOT seront restaurés. Soyez prudent lorsque vous utilisez cette fonction.



4. Bac à poussière



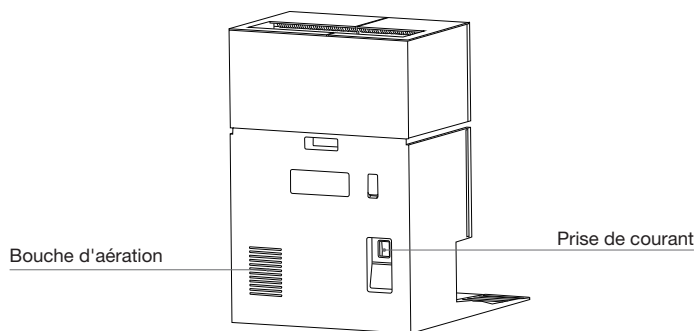
5. Vue avant de la station OMNI



Remarque :

- Clignotement orange ou rouge : veuillez vérifier l'application ECOVACS HOME pour connaître la cause du dysfonctionnement.
- Si le DEEBOT ne se recharge pas, veuillez essuyer les contacts de charge avec un chiffon propre et sec.

6. Vue arrière de la station OMNI



7. Témoin lumineux sur le DEEBOT

Effet lumineux	État
Pulsation blanche	En recharge
Blanc en continu	Complètement rechargé/en cours de fonctionnement
Rouge en continu	Batterie faible
Rouge clignotant	Alarme du DEEBOT
Orange clignotant	Alarme de la station

8. Aperçu des capteurs

Nom	Description fonctionnelle
Module de navigation	La télémétrie laser est appliquée pour mesurer la distance entre le DEEBOT et les objets environnants en fonction de la différence de temps de réflexion, ce qui permet au module d'établir une cartographie par rapport aux objets environnants pendant que le DEEBOT se déplace. La portée de détection est de 10 m.
Module d'évitement d'obstacles	La télémétrie infrarouge et des triangles similaires sont appliqués pour mesurer la distance entre les objets environnants et le DEEBOT. Lorsque le capteur détecte un objet à proximité, le DEEBOT fait automatiquement un tour pour éviter de heurter l'objet. La portée de détection est de 0,3 m.
Capteurs anti-chute	En utilisant le principe du temps de vol (dToF), le capteur dToF situé à la base du DEEBOT mesure en continu la distance entre le DEEBOT et le sol. Pendant ce temps, des capteurs infrarouges à la base détectent la distance à l'aide de la technologie de télémétrie infrarouge. Le DEEBOT ne se déplacera pas lorsqu'il y a des escaliers devant (par exemple lorsque la hauteur de la surface blanche est de 55 mm ou plus, ou que la hauteur de la surface noire est de 30 mm ou plus) et que la hauteur identifiée dépasse celle prédéfinie, activant la fonction anti-chute.
Capteur de détection de tapis	Le capteur émet des ultrasons de 300 kHz, dont l'énergie sera absorbée par le tapis, ce qui fera en sorte que l'énergie de l'écho sera inférieure au seuil. Le DEEBOT détecte ainsi la présence de tapis. Dans le laboratoire ECOVACS, plus de 50 types de tapis disponibles sur le marché sont identifiés.
Capteur anti-collision	Avec le principe de l'interrupteur à photocoupleur, le DEEBOT évitera les obstacles lorsqu'il est sur le point d'entrer en collision.
Capteur de bordure	Avec la télémétrie infrarouge, le capteur de bordure détecte la distance entre le DEEBOT et les objets sur le côté. Lorsqu'il y a un mur ou des obstacles sur la droite, le DEEBOT effectue un nettoyage des bordures pour éviter de manquer des endroits et éviter les collisions.
Caméra AIVI	L'analyse intelligente par IA est utilisée pour la détection environnementale et la gestion efficace de la vidéo (pour certains modèles).
Microphone	Le microphone capte le son par les vibrations du diaphragme causées par la voix humaine qui se déplace dans l'air. Cela permet l'enregistrement vocal et l'utilisation de la commande vocale pour demander au DEEBOT de terminer la tâche assignée grâce à l'acquisition et aux algorithmes de modèles sonores. La distance de réveil effective est de 5 m.
Capteur infrarouge de taches	Grâce à l'éclairage infrarouge, DEEBOT détecte les particules et la saleté liquide à moins de 40 cm du sol et met en œuvre des stratégies de nettoyage intelligentes.

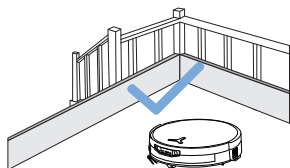
CONFIGURATION INITIALE ET UTILISATION

1 Notes avant le nettoyage



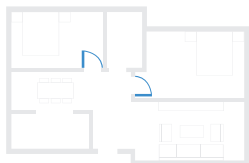
Ranger la zone à nettoyer

Pour une superficie de nettoyage maximale, placez les meubles, comme les tables, les chaises et les ventilateurs sur pied, à leur place et rangez les articles bas, comme les balances, avant d'utiliser le DEEBOT.



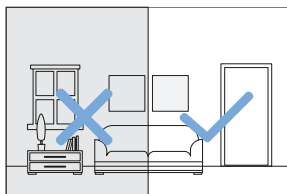
Empêchez le DEEBOT de tomber

Placez une barrière physique au bord d'une chute, comme des escaliers et des marches, pour empêcher le DEEBOT de tomber.



Ouvrir les portes et aider le DEEBOT à explorer

Ouvrez toutes les portes des pièces pour aider le DEEBOT à explorer pleinement votre maison lors de la première utilisation.



Fournir un éclairage suffisant

Assurez-vous que toutes les zones de nettoyage sont bien éclairées pour aider le module d'évitement d'obstacles du DEEBOT à éviter avec précision les obstacles, comme les chaussures, les chaussettes et les cordons.



Retirez les objets, y compris les câbles, les vêtements et les pantoufles, du sol pour améliorer l'efficacité du nettoyage.



Avant d'utiliser le produit sur un tapis à bords à franges ; veuillez plier les franges sous le tapis.



Veuillez ne pas vous tenir dans des espaces étroits, comme les couloirs, pour éviter de bloquer le module de navigation.



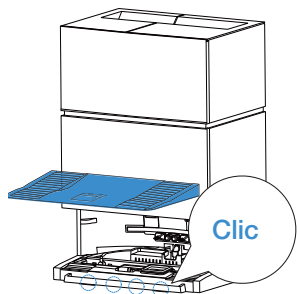
Assurez-vous de la clarté de la vision du DEEBOT et évitez de rayer ou de tacher le module d'évitement d'obstacles avec des empreintes digitales ou des taches huileuses. Utilisez un chiffon propre et doux pour essuyer la caméra, au lieu d'agents de nettoyage, de détergents ou de vaporisateurs.

2 Démarrage rapide

Retirez tous les matériaux de protection avant d'utiliser l'appareil.

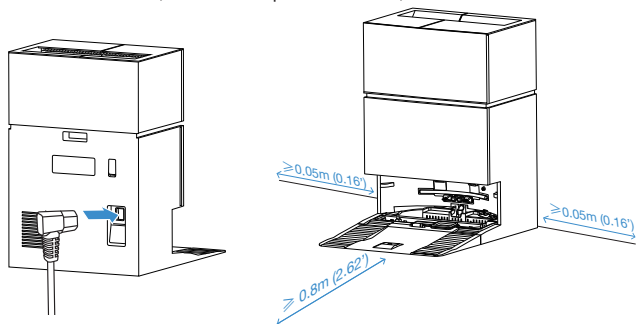
1. Installation de la station

Le son de « clic » indique une installation correcte.



2. Assembler et placer la station

Placez la station OMNI contre le mur sur une surface plane et dure. Ne placez pas d'articles à moins de 0,05 m de chaque côté et de 0,8 m devant.



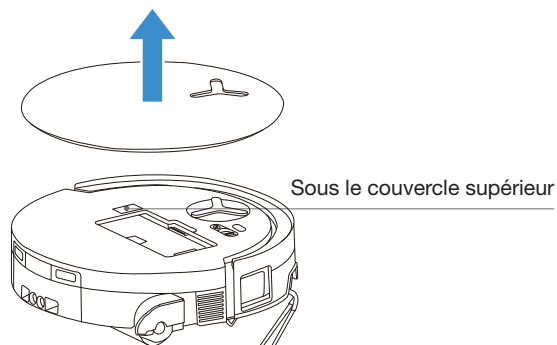
Remarque :

- S'il y a des objets réfléchissants, comme des miroirs et des plinthes réfléchissantes près de la station, les 14 cm inférieurs de ces objets doivent être couverts.
- Ne placez pas la station sous le rayonnement direct du soleil ou dans des environnements à haute température.
- Pour une meilleure expérience utilisateur, placez la station dans un endroit avec un signal Wi-Fi puissant.

3 Télécharger l'application ECOVACS HOME

Pour profiter de toutes les fonctionnalités disponibles, il est recommandé de contrôler votre DEEBOT via l'entremise de l'application ECOVACS HOME.

Balayez le code QR sous le couvercle supérieur pour télécharger l'application ECOVACS HOME.



Ou recherchez « ECOVACS HOME » sur l'App Store ou Google Play pour télécharger l'application ECOVACS HOME.



Remarque : Suivez les instructions sur l'application pour achever l'inscription, l'ouverture de session et la connexion.

4 Connecter le DEEBOT à l'application

Via Bluetooth : Activez le DEEBOT et le Bluetooth de votre téléphone mobile. Autorisez l'application à obtenir l'autorisation Bluetooth du téléphone mobile.

Appuyez pour balayer le code QR sur le DEEBOT ou appuyez sur  ou  dans l'application pour trouver le DEEBOT à proximité.

Via Wi-Fi : Vous pouvez également choisir de connecter le DEEBOT à l'application par d'autres méthodes selon les invites sur la page de l'application.


Remarque : Pour une meilleure expérience, veuillez vous connecter via Bluetooth.

Remarque : Pour une meilleure expérience, veuillez vous connecter via Bluetooth.

Exigences du réseau Wi-Fi :

- Vous utilisez un réseau mixte de 2,4 GHz ou 2,4/5 GHz.
- Votre routeur prend en charge les protocoles 802.11b/g/n et IPv4.
- N'utilisez pas de VPN (réseau privé virtuel) ou de serveur mandataire.
- N'utilisez pas de réseau caché.
- WPA et WPA2 utilisant le cryptage TKIP, PSK, AES/CCMP.
- WEP EAP (Enterprise Authentication Protocol) n'est pas pris en charge.
- Utilisez les canaux Wi-Fi 1 à 11 en Amérique du Nord et les canaux 1 à 13 à l'extérieur de l'Amérique du Nord (voir l'organisme de réglementation local).
- Si vous utilisez un prolongateur/répéteur de réseau, le nom du réseau (SSID) et le mot de passe sont les mêmes que ceux de votre réseau principal.
- Veuillez activer le WPA2 sur votre routeur.

Voyant lumineux Wi-Fi

	Lumière blanche clignotant lentement	Déconnecté du Wi-Fi
	Lumière blanche clignotant rapidement	Connexion en cours
	Lumière blanche en continu	Connecté au Wi-Fi


Veuillez noter que les fonctions intelligentes, comme le démarrage à distance, l'interaction vocale, les paramètres d'affichage et de contrôle des cartes 2D/3D et le nettoyage personnalisé (selon l'appareil) nécessitent l'application ECOVACS HOME, qui est constamment mise à jour. Vous devez accepter notre politique de confidentialité et notre entente d'utilisation afin que nous puissions traiter certaines de vos informations essentielles et nécessaires avant que vous puissiez utiliser certaines fonctionnalités de l'application ECOVACS HOME pour contrôler l'appareil. Si vous n'êtes pas d'accord avec notre politique de confidentialité et notre entente d'utilisation, ces fonctionnalités ne seront pas disponibles. Cependant, vous pouvez toujours utiliser les fonctions de base de cet appareil pour un fonctionnement manuel.

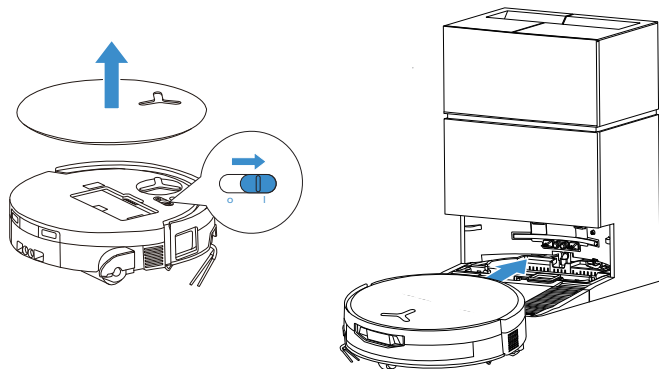
Informations sur l'interface réseau

Nom	Description
Interface infrarouge	L'interface infrarouge est désactivée par défaut, et elle s'active lorsque le DEEBOT est dans la station de recharge. Lorsque le DEEBOT est dans la station de recharge, il communique avec celle-ci via l'interface infrarouge.
Bluetooth	Activez le Bluetooth pour connecter le robot au réseau pendant le processus de configuration réseau. Bluetooth utilise les services GAP/1800, GATT 1801, 8888 pour la configuration et l'interaction de données de façon sécurisée.
Wi-Fi*	Facilitez le transfert de données entre l'application et le DEEBOT, en permettant le contrôle du DEEBOT via l'application.
Application ECOVACS HOME	Les produits ECOVACS offrent des fonctions intelligentes telles que la configuration réseau, la cartographie et la sélection des modes de nettoyage (spécifiques à chaque produit). Pour utiliser ces fonctionnalités, les utilisateurs doivent télécharger et utiliser l'application officielle ECOVACS Home.

* Les aspirateurs robotisés de la série DEEBOT sont conçus pour des travaux de nettoyage domestique. Un réseau Wi-Fi domestique est nécessaire pour le fonctionnement, et la protection anti-DDoS doit être configurée par l'utilisateur via les paramètres du chemin.

5 Allumer et recharger le DEEBOT

Mettez l'interrupteur d'alimentation en position de marche sous le couvercle du DEEBOT (« I » = **Activé**, « O » = **Désactivé**), et placez le DEEBOT devant la station qui est connectée à l'alimentation électrique. Utilisez l'application ou la commande vocale pour rappeler le DEEBOT, ou maintenez enfoncé  sur le DEEBOT pendant 3 s, pour permettre au DEEBOT de s'amarrer pour la recharge.

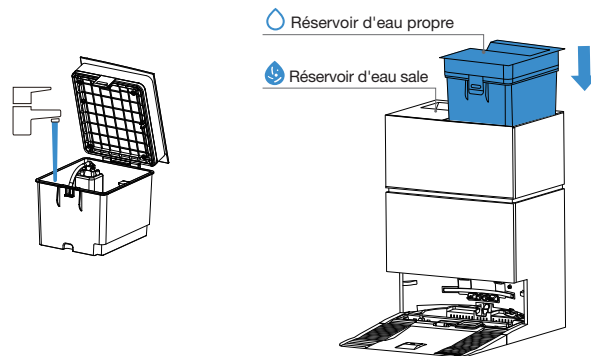


Remarque :

- Le DEEBOT ne peut pas se recharger lorsqu'il est éteint.
- Après le nettoyage, il est recommandé de garder le DEEBOT allumé et en recharge pour s'assurer qu'il est prêt pour la prochaine séance de nettoyage.
- Veuillez commencer le nettoyage à partir de la station. Ne déplacez pas la station pendant le nettoyage.

6 Remplissez le réservoir d'eau propre

Sortez le réservoir d'eau propre, ouvrez le couvercle du réservoir et remplissez le réservoir d'eau. Fermez le couvercle du réservoir et réinstallez le réservoir d'eau propre.

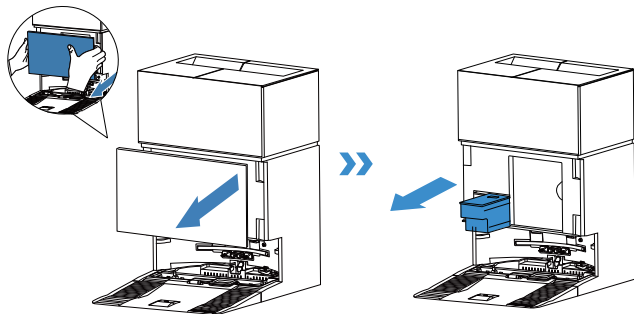


Remarque :

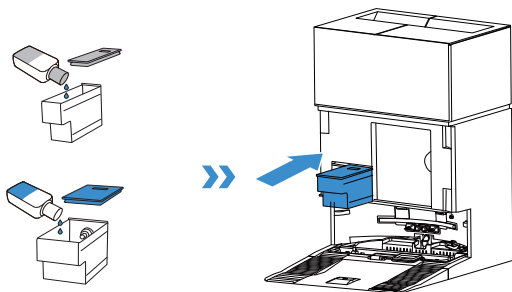
- Utilisez uniquement la solution de nettoyage ECOVACS DEEBOT pour éviter les dysfonctionnements.
- Utilisez un chiffon propre et sec pour essuyer l'eau à la surface du réservoir avant de le placer en position.
- Assurez-vous de verrouiller solidement les couvercles supérieurs des deux réservoirs d'eau avant l'utilisation.
- Toute trace d'eau dans les réservoirs d'eau provient de tests de fonctionnement. Veuillez l'utiliser en toute confiance.

7 Ajout de solution nettoyante

1. Retirez le couvercle du boîtier de collecte de poussière, retirez les deux boîtes de solutions de nettoyage et placez-les sur une surface plane et dure.



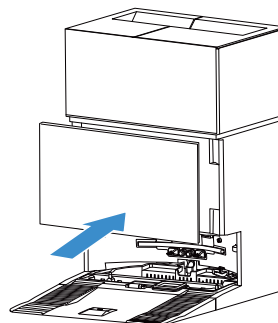
2. Versez la solution de nettoyage dans la boîte bleue et la solution de nettoyage robuste dans la boîte noire. Après avoir fixé les couvercles des boîtes, repoussez-les dans la station et fermez le couvercle du réservoir.



Remarque :

- Ne versez pas de solution de nettoyage dans le réservoir d'eau propre. Ajoutez-la plutôt au réservoir de solution de nettoyage. Sinon, un mauvais rapport peut causer une mousse excessive et réduire l'efficacité du nettoyage.

3. Remettez le couvercle du boîtier de collecte de poussière et appuyez fermement sur le couvercle pour le fixer en position.



Remarque :

- Ne pas trop remplir de solution de nettoyage, car elle pourrait déborder lorsque le couvercle est mis en place. Il est possible d'omettre cette étape si vous n'utilisez pas régulièrement la solution de nettoyage de plancher et la fonction de distribution automatique de solution de nettoyage peut être désactivée dans l'application.
- Pour de meilleures performances et une plus longue durée de vie du produit, veuillez utiliser la solution de nettoyage ECOVACS DEEBOT.
- Assurez-vous qu'aucun corps étranger ne tombe dans la boîte de solution de nettoyage.

8 Utiliser le DEEBOT pour le nettoyage


1. Commencer à cartographier

Avant la première cartographie, veuillez éliminer quelques problèmes potentiels. Par exemple, le DEEBOT peut rester coincé sous les meubles. Veuillez vous référer aux solutions suivantes :

- Soulevez les meubles bas, si possible;
- Couvrez le bas des meubles;
- Établissez une limite virtuelle via l'application.

2. Commencer à nettoyer


- Le réservoir d'eau du DEEBOT est automatiquement rempli par la station. Le remplissage manuel n'est pas nécessaire.
- Lors du passage de la serpillière, le DEEBOT reconnaît les types de planchers et sera capable de soulever automatiquement les serpillières lorsqu'il rencontre des tapis. Veuillez ne pas utiliser le DEEBOT sur des tapis ou moquettes à poils longs. Il est recommandé de plier les tapis à poils longs pendant le processus de nettoyage, ou de définir la zone de tapis comme zone d'interdiction d'entrée en définissant une limite virtuelle dans l'application.

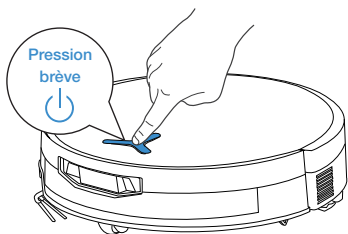
Veuillez vous assurer que le DEEBOT est dans la station et qu'il est complètement rechargé avant le premier nettoyage. Appuyez sur  sur le DEEBOT pour commencer. Vous pouvez également utiliser l'application ECOVACS HOME ou la commande vocale pour démarrer.

3. Mettre en pause


Appuyez sur  sur le DEEBOT pour le mettre en pause pendant qu'il fonctionne. Vous pouvez également utiliser l'application ECOVACS HOME ou la commande vocale pour mettre en pause le DEEBOT.

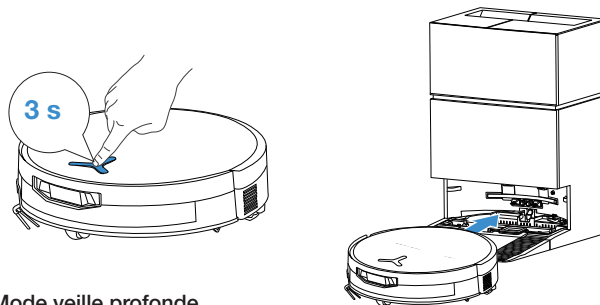
4. Sortir de veille

Après une pause pendant un certain temps, tous les voyants du DEEBOT s'éteignent. Pour sortir de veille le DEEBOT, appuyez sur .



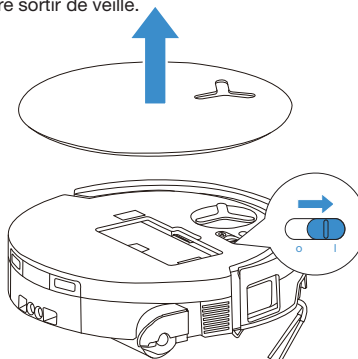
5. Retour à la station

Utilisez l'application ECOVACS HOME ou la commande vocale pour rappeler le DEEBOT, ou maintenez enfoncé le bouton  sur le DEEBOT pendant 3 s, pour permettre au DEEBOT de s'amarrer pour la recharge.



6. Mode veille profonde

Pour protéger la batterie, le DEEBOT entre en mode veille profonde s'il reste à l'extérieur de la station pendant environ 10 heures. Veuillez éteindre et allumer le DEEBOT pour le faire sortir de veille.



Lorsque le DEEBOT revient à la station pendant une tâche, PowerBoost Charging démarre par défaut et prend environ 5 minutes. Il passe ensuite à la recharge standard et s'arrête automatiquement une fois complètement rechargé.

ENTRETIEN RÉGULIER

① Fréquence d'entretien

Pour que le DEEBOT fonctionne de façon optimale, effectuez l'entretien et remplacez les pièces aux fréquences suivantes :

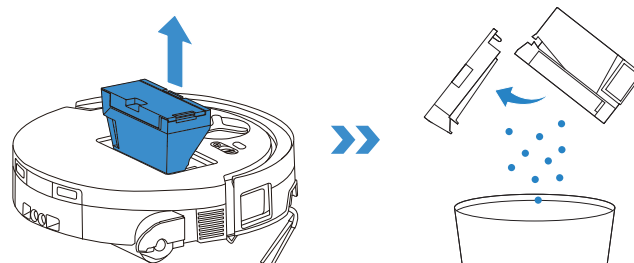
Pièce	Fréquence d'entretien	Remplacement
Rouleau remplaçable	/	Tous les 1 à 2 mois
Bac d'égouttage	Chaque semaine	/
Sac à poussière	/	Lorsque l'application vous le demande
Brosse latérale	Toutes les 2 semaines	Tous les 3 à 6 mois
Brosse principale	Chaque semaine	Tous les 6 à 12 mois
Filtre	Chaque semaine	Tous les 3 à 6 mois
Capteur de bordure Roue universelle Capteurs anti-chute Pare-chocs Contacts de charge sur le DEEBOT Contacts de charge sur la station OMNI Module de navigation Module d'évitement d'obstacles	Environ tous les mois	/
Réservoir d'eau propre	Tous les 3 mois	/
Réservoir d'eau sale	Chaque mois	/
Corps et base de la station	Chaque mois	/
Plateau de lavage de la serpillière	Tous les 5 mois	/
Unité de solution de nettoyage	Chaque mois	/

Remarque : Découvrez d'autres accessoires sur l'application ECOVACS HOME ou sur <https://www.ecovacs.com>.

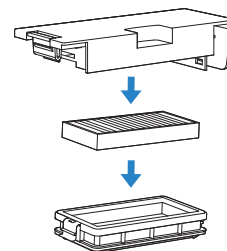
ENTRETIEN DU DEEBOT

① Entretien le bac à poussière et le filtre

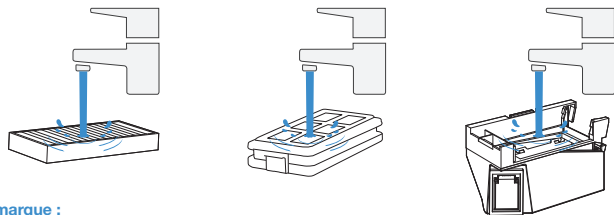
1. Retirez le bac à poussière, puis videz-le.



2. Ouvrez le filet filtrant et retirez le filtre.



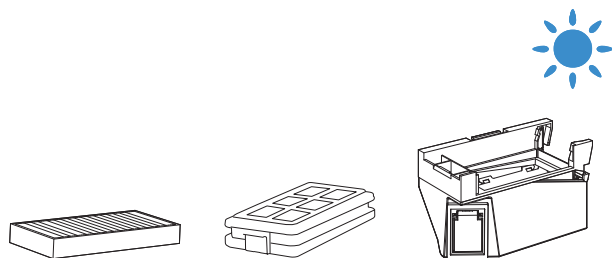
3. Rincez le bac à poussière et le filtre avec de l'eau, et secouez les gouttelettes d'eau.



Remarque :

- Veuillez rincer le filtre avec de l'eau comme indiqué.
- N'utilisez pas les doigts ou une brosse pour nettoyer le filtre.

4. Séchez à l'air libre le bac à poussière et le filtre.



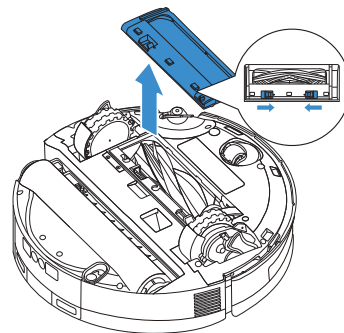
Remarque : Séchez complètement les composants avant utilisation.

2 Entretien la brosse principale et la brosse latérale

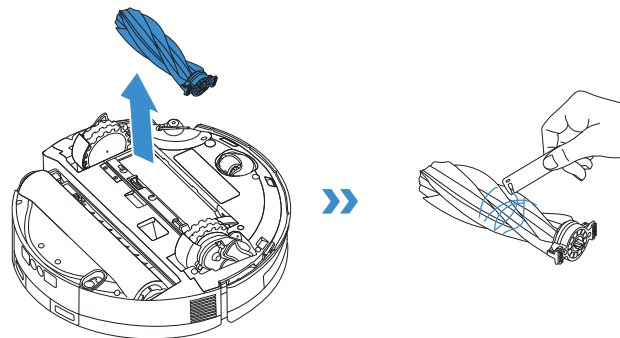
Nettoyez la brosse principale.

1. Retirez le couvercle de la brosse principale.

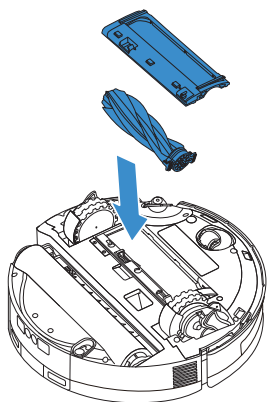
Remarque : Avant de retourner le DEEBOT, veuillez vider l'eau restante du bac d'égouttage.



2. Retirez et nettoyez la brosse principale et sa chambre.

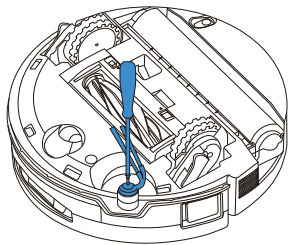


4. Installez la brosse principale et le couvercle.



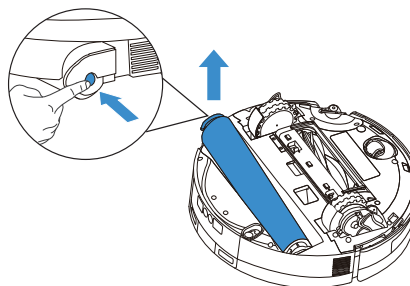
Nettoyez la brosse latérale

Retirez la brosse latérale à l'aide d'un tournevis et nettoyez-la.

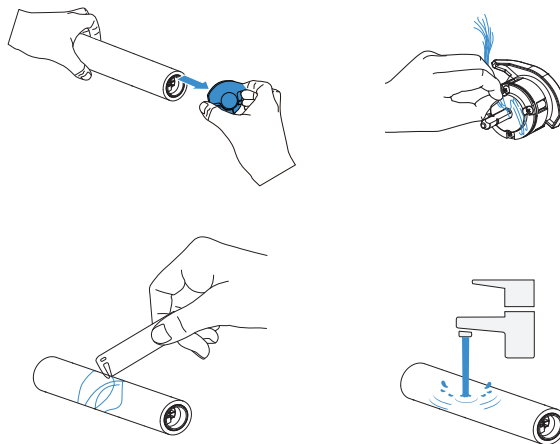


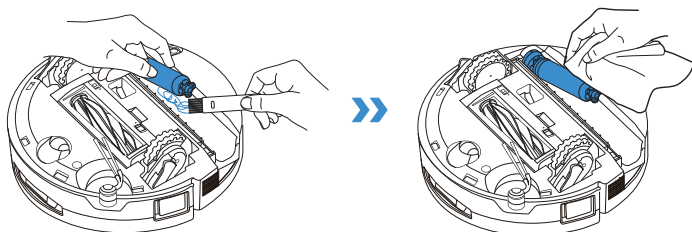
3 Entretien des composants des rouleaux

1. Appuyez sur le bouton de déverrouillage du rouleau sur le côté de la serpillière, soulevez doucement et retirez la serpillière à rouleau.



2. Retirez le couvercle d'extrémité du rouleau, nettoyez et séchez la serpillière à rouleau. Essayez la chambre du rouleau avec un chiffon humide qui a été essoré.

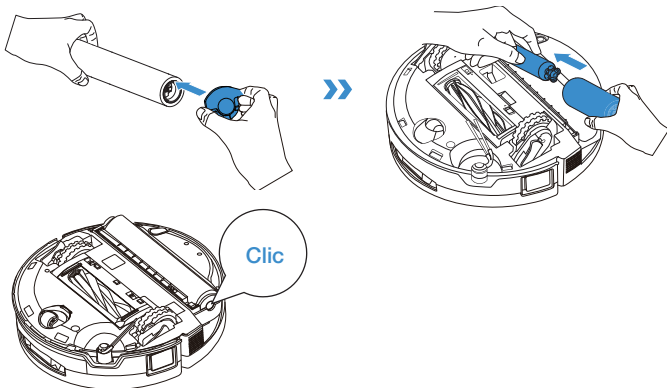




Remarque :

- Ne tirez pas brusquement les composants du moteur de rouleau lors du nettoyage pour éviter les dommages.
- Ne rincez pas le DEEBOT à l'eau.

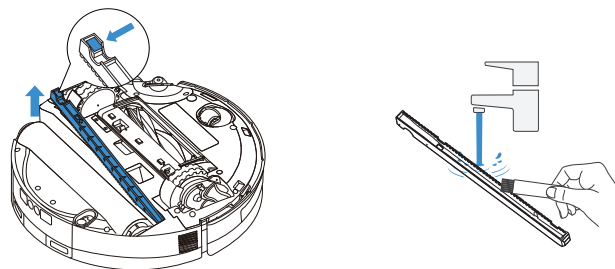
3. Réinstallez le couvercle d'extrémité du rouleau et fixez la serpillière à rouleau au moteur. Une fois la vadrouille en place, alignez le bouton de déverrouillage du rouleau avec la rainure sur le côté de la chambre du rouleau et appuyez dessus. Un bruit de « clic » indique que la serpillière est bien installée.



Remarque : Découvrez d'autres accessoires sur l'application ECOVACS HOME ou sur <https://www.ecovacs.com>.

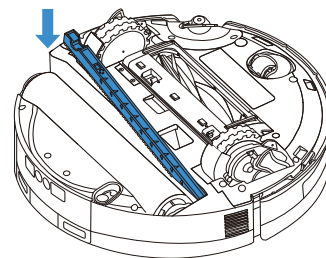
4 Entretien du bac d'égouttement

1. Appuyez sur le bouton de déverrouillage pour retirer le bac d'égouttage, puis nettoyez-le et séchez-le.



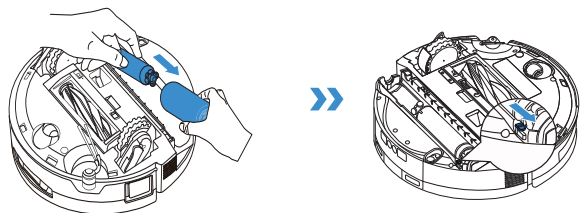
Remarque : Une petite quantité d'eau résiduelle peut s'échapper lors du retournement du DEEBOT s'il n'est pas en mode séchage.

2. Réinstallez le bac d'égouttage et appuyez fermement jusqu'à ce qu'il soit bien installé.

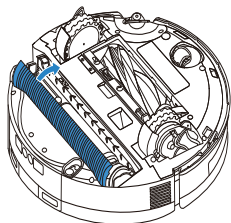


5 Nettoyer le couvercle de rouleau de serpillière

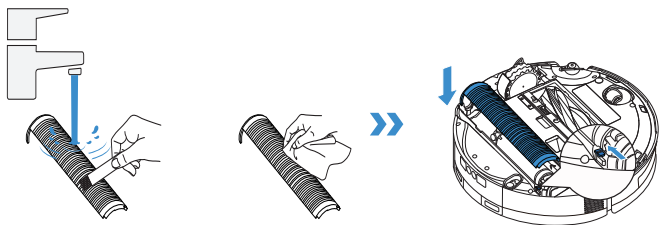
1. Après avoir retiré la serpillière à rouleau, faites glisser l'interrupteur de déverrouillage du couvercle du rouleau vers la droite pour la déverrouiller.



2. Saisissez le couvercle du rouleau de serpillière par la rainure de la chambre du rouleau, puis tournez doucement et soulevez.

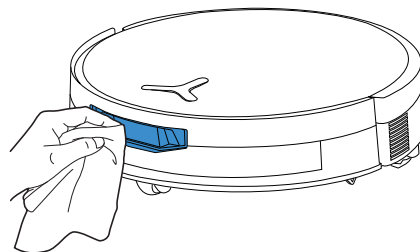


3. Une fois le couvercle du rouleau de serpillière nettoyé et séché, alignez son essieu avec la chenille du côté gauche de la chambre du rouleau, réinstallez-le et verrouillez l'interrupteur de déverrouillage.

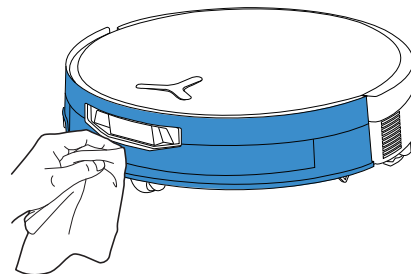


● Entretien des autres composants

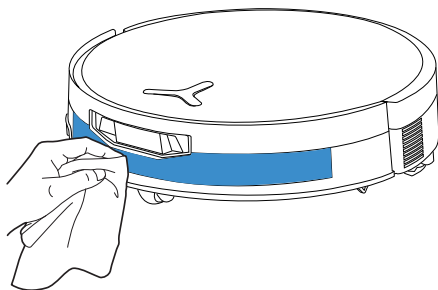
Nettoyez la lentille du module d'évitement d'obstacles



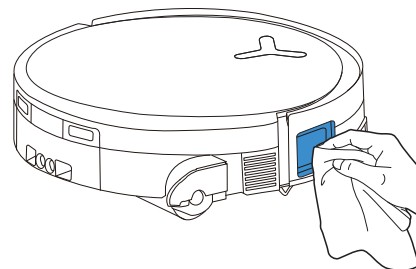
Nettoyez le pare-chocs



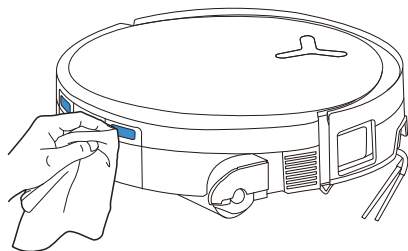
Nettoyez le module de navigation



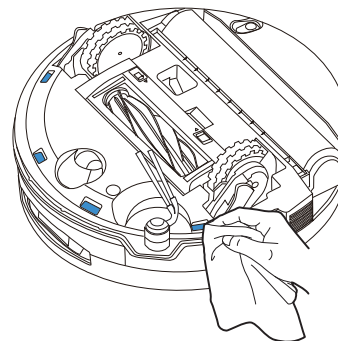
Nettoyez le capteur de bordure



Nettoyez les contacts de charge



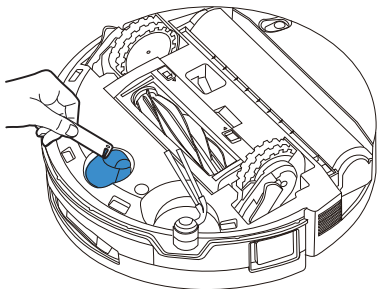
Nettoyez les capteurs anti-chute



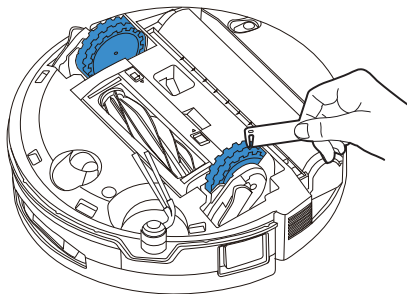
Remarque :

- Essuyez les composants avec un chiffon propre et sec. N'utilisez jamais de chiffon humide. N'utilisez pas de vaporisateurs nettoyants ni de détergents, car l'humidité pourrait causer des dommages.
- Les contacts de charge contiennent des composants électroniques sensibles. Nettoyez-les avec un chiffon sec. N'utilisez pas de chiffon humide pour éviter les dégâts d'eau.

Nettoyez la roue universelle



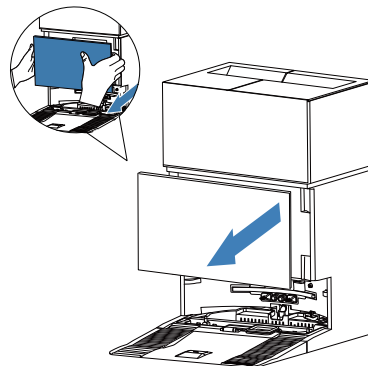
Nettoyez les roues motrices



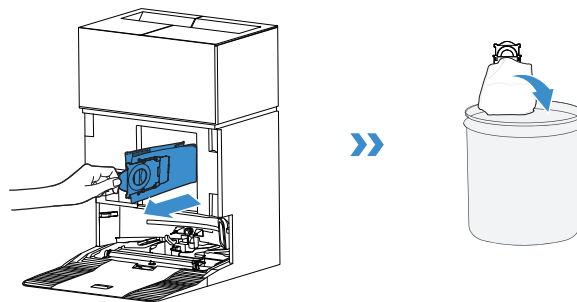
ENTRETIEN DE LA STATION

● Entretien le bac à poussière

1. Retirez le couvercle de boîtier de collecte de poussière.

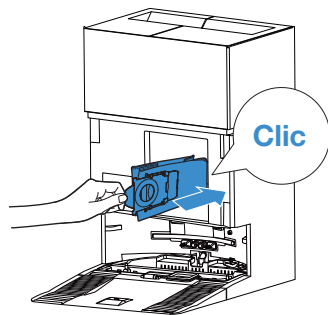


2. Retirez le sac à poussière jetable dans le sens de la flèche et jetez-le.

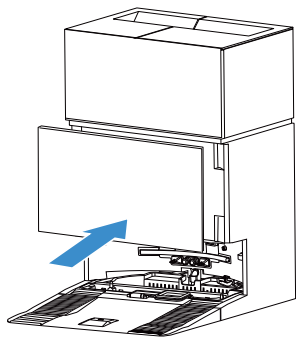


Remarque : Tenez la poignée pour soulever le sac à poussière, ce qui peut empêcher efficacement les fuites de poussière.

3. Nettoyez le réservoir de poussière avec un chiffon sec et installez un nouveau sac à poussière.

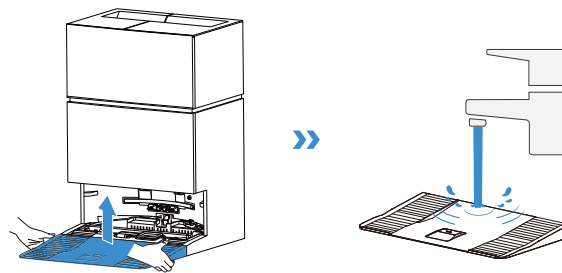


4. Insérez le loquet supérieur du couvercle du réservoir à poussière dans la fente, puis appuyez vers le bas pour assurer une bonne étanchéité.

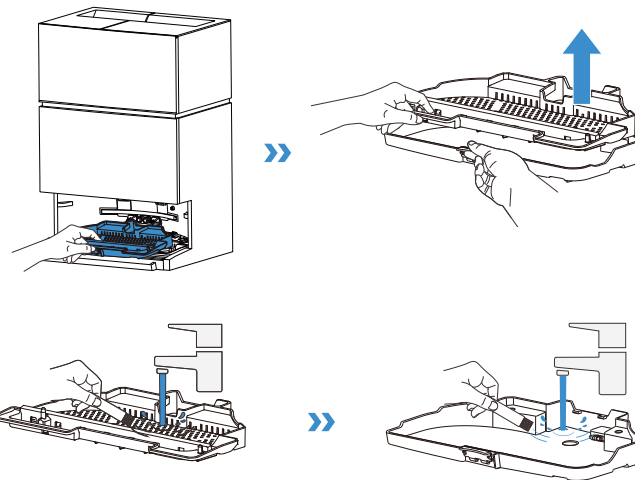


2 Entretenez le plateau de lavage de la serpillère

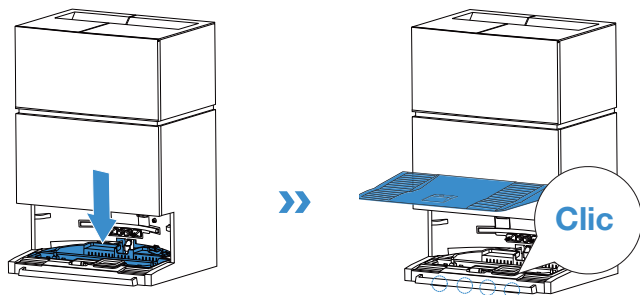
1. Retirez et nettoyez la base de la station.



2. Enlevez le plateau à lavage de la vadrouille. Appuyez sur le loquet du plateau pour détacher le filtre et nettoyez-le.



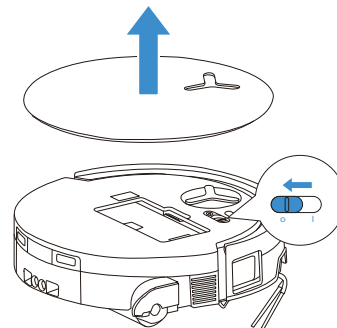
3. Réinstallez le filtre de lavage de la serpillière, le plateau et la base de la station dans l'ordre. Un « clic » indique qu'ils sont bien en place.



Remarque : Veuillez installer correctement le plateau et la base pour éviter les dysfonctionnements.

4 Entreposage

Veuillez recharger complètement et éteindre le DEEBOT avant de le ranger. Veuillez le recharger tous les mois et demi pour éviter que la batterie ne se décharge trop.





! Veuillez noter que le DEEBOT ne peut pas se recharger lorsqu'il est éteint.

Remarque :

- Une fois que le DEEBOT a terminé sa tâche de nettoyage, il est recommandé de ne pas l'éteindre, mais de le maintenir en recharge afin de mieux se préparer à la prochaine séance de nettoyage.
- Si la batterie est trop déchargée ou n'est pas utilisée pendant une période prolongée, le DEEBOT peut ne pas être rechargé. Veuillez contacter ECOVACS pour obtenir de l'aide. Ne démontez pas la batterie vous-même.
- Si vous n'utilisez pas le DEEBOT pendant longtemps, utilisez la fonction Device Relocalisation (Relocalisation de l'appareil) dans l'application pour vider l'eau propre à l'intérieur du DEEBOT et garder les réservoirs d'eau de la station vides et les serpillières à rouleaux sèches.


Pour connaître le problème potentiel, consultez les solutions correspondantes.

No.	Dysfonctionnement	Cause potentielle	Solution
1	Le DEEBOT n'est pas en mesure de se connecter à l'application ECOVACS HOME.	Nom d'utilisateur ou mot de passe de Wi-Fi incorrect saisi.	Entrez le bon nom d'utilisateur et le bon mot de passe de Wi-Fi.
		Le DEEBOT n'est pas à portée du signal Wi-Fi de votre maison.	Assurez-vous que le DEEBOT est à portée du signal Wi-Fi de votre maison. Essayez de rester le plus près possible du routeur.
		Le DEEBOT n'est pas dans l'état de configuration.	Appuyez sur la touche RESET (Réinitialisation) pour connecter le DEEBOT à votre téléphone par Bluetooth. En cas d'échec, veuillez appuyer sur la touche RESET +  et connectez-vous via l'application ECOVACS HOME.
		Il n'y a pas de Wi-Fi domestique sur la liste des Wi-Fi.	Vérifiez si le nom du Wi-Fi contient des caractères spéciaux. Veuillez ne pas utiliser de caractères spéciaux comme !@#&¥%^. N'utilisez pas de réseau 5 GHz.
		Une application incorrecte est installée.	Veuillez télécharger et installer l'application ECOVACS HOME.
2	Impossible de créer la carte des meubles dans l'application.	Le déplacement du DEEBOT lors du nettoyage peut entraîner la perte de la carte.	Pendant le nettoyage, ne déplacez pas le DEEBOT.
		Le nettoyage automatique n'est pas terminé.	Assurez-vous que le DEEBOT revient automatiquement à la station OMNI après le nettoyage.
		Le mode à étages multiples n'était pas activé lors de la création de la deuxième carte.	Veuillez activer le mode à étages multiples dans l'application.
3	La brosse latérale se déplace hors de sa position pendant l'utilisation.	La brosse latérale n'est pas correctement installée.	Lorsque vous installez la brosse latérale avec un tournevis, assurez-vous que la vis est bien serrée.
4	Aucun signal trouvé. Impossible de retourner à la station.	La station OMNI est mal placée.	Placer la station correctement selon les instructions de la section [Allumer et recharger le DEEBOT] .
		La station est en panne d'électricité ou a été déplacée.	Vérifiez si la station OMNI est connectée à l'alimentation électrique. Ne déplacez pas la station OMNI.
		Le DEEBOT ne commence pas à nettoyer à partir de la station OMNI.	Il est recommandé que le DEEBOT commence à nettoyer à partir de la station OMNI.
		Le chemin d'amarrage est bloqué. Par exemple, la porte est fermée à la pièce où se trouve le poste.	Gardez le chemin de recharge dégagé.

No.	Dysfonctionnement	Cause potentielle	Solution
5	Le DEEBOT retourne à la station OMNI avant d'avoir terminé le nettoyage.	La pièce est si grande que DEEBOT doit revenir pour se recharger.	Veillez activer la reprise automatique. Pour plus de détails, veuillez suivre les instructions de l'application.
		Dans les aménagements de maison très complexes, l'efficacité du nettoyage peut diminuer, ce qui peut entraîner un nettoyage incomplet.	Simplifiez l'aménagement de votre maison.
6	Le DEEBOT n'est pas en mesure de se recharger.	Le DEEBOT n'est pas activé.	Allumez le DEEBOT.
		Les contacts de charge du DEEBOT ne sont pas connectés aux contacts de charge de la station OMNI.	Assurez-vous que les contacts de charge du DEEBOT sont connectés aux contacts de recharge de la station et que  clignote. Vérifiez si les contacts de charge du DEEBOT et de la station OMNI sont sales. Veuillez nettoyer ces pièces selon les instructions de la section [ENTRETIEN RÉGULIER] .
		La station OMNI n'est pas connectée à l'alimentation électrique.	1. Assurez-vous que la station OMNI est connectée à l'alimentation électrique. 2. Une fois l'alimentation branchée, assurez-vous que le son de démarrage du moteur peut être entendu.
		La base n'a pas été installée en place.	Consultez la section [Démarrage rapide] pour une installation correcte.
7	Le DEEBOT est très bruyant pendant le nettoyage.	La brosse principale/brosse latérale/serpillière à rouleau est enchevêtrée ou le bac à poussière est bloqué.	Il est recommandé de nettoyer régulièrement la brosse principale, la brosse latérale, le bac à poussière, la serpillière à rouleau, etc.
		Le DEEBOT est en mode d'aspiration forte ou en mode de puissance d'aspiration maximale.	Passez en mode standard ou silencieux. Le mode silencieux peut réduire la performance du nettoyage.
8	Le DEEBOT se bloque pendant le travail et s'arrête.	Le DEEBOT est enchevêtré avec des objets sur le sol (fils électriques, rideaux, franges de tapis, etc.).	Le DEEBOT essaiera différentes façons de se libérer. Si ses tentatives échouent, retirez manuellement les obstacles et redémarrez.
		Le DEEBOT peut être coincé sous des meubles avec une entrée de hauteur similaire.	Veillez soulever les meubles, fixez une barrière physique ou une limite virtuelle via l'application ECOVACS HOME.
		Le DEEBOT est coincé dans une zone étroite.	Rangez votre maison, fixez une barrière physique ou une limite virtuelle via l'application ECOVACS HOME.

No.	Dysfonctionnement	Cause potentielle	Solution
9	Pendant le nettoyage, le DEEBOT peut rencontrer des problèmes tels qu'un chemin encombré, des mouvements biaisés, un nettoyage répété aux mêmes endroits et de petites zones manquantes.	Une grande zone n'a pas été nettoyée, possiblement parce qu'elle était bloquée.	Assurez-vous que la porte est ouverte, dégagez les obstacles potentiels, comme les pantoufles et les cordons éparpillés. Le DEEBOT effectuera un nettoyage supplémentaire avant la fin de la séance de nettoyage.
		Les roues motrices peuvent glisser sur le sol lorsque le DEEBOT monte des marches, des seuils et des barreaux de porte, ce qui peut affecter son jugement sur l'ensemble de l'environnement domestique.	Fermez la porte de la pièce ou établissez une limite virtuelle dans l'application. Vous pouvez ensuite apporter le DEEBOT dans la pièce pour le nettoyer séparément.
		Sur les planchers fraîchement cirés ou polis, ainsi que sur les carreaux lisses, il peut y avoir moins de friction entre les roues motrices et le plancher.	Veuillez attendre que la cire sèche avant de la nettoyer.
10	Après son retour à la station OMNI, le DEEBOT ne vide pas son bac à poussière.	La fonction de vidange automatique n'a pas été activée dans l'application.	Activez la fonction de vidange automatique dans l'application.
		Le déplacement manuel du DEEBOT vers la station ne déclenche pas la fonction de vidange automatique.	Il est recommandé de permettre au DEEBOT de retourner à la station OMNI par lui-même. Veuillez ne pas le déplacer manuellement.
		En mode Ne pas déranger, le DEEBOT ne vide pas la poussière après son retour à la station OMNI.	Désactivez Ne pas déranger dans l'application ou commencez manuellement à vider la poussière.
		La station détecte une diminution de l'efficacité à vide.	Remplacez le sac à poussière conformément à la section [ENTRETIEN RÉGULIER] et fermez le boîtier de collecte de poussière. Si le sac à poussière n'est pas plein lorsque l'application vous invite à le vider, vous pouvez le remettre en place.
		Vérifiez si le bac à poussière est plein et cause un blocage.	Nettoyez le bac à poussière selon la section [ENTRETIEN RÉGULIER] .
		Si les causes potentiels ci-dessus ont été écartées, il est possible que des composants de la station présentes des anomalies.	Veuillez contacter le service à la clientèle pour obtenir de l'aide.

No.	Dysfonctionnement	Cause potentielle	Solution
11	Échec de la vidange automatique.	La station détecte une diminution de l'efficacité à vide.	Veuillez remplacer le sac à poussière conformément à la section [ENTRETIEN RÉGULIER] et fermez la porte du boîtier de collecte de poussière. Si la demande de remplacement apparaît mais que le sac n'est pas plein, retirez-le, réinsérez-le, puis fixez correctement la cabine.
		La sortie du bac à poussière est bloquée par des corps étrangers.	Retirez le bac à poussière et dégagez les corps étrangers sur la sortie.
12	Le côté intérieur du boîtier de collecte de poussière est sale.	Des particules fines passent à travers le sac à poussière et s'accumulent sur le côté intérieur du boîtier de collecte de poussière.	Nettoyez le côté intérieur du boîtier de collecte de poussière.
		Le sac à poussière est brisé.	Vérifiez et remplacez le sac à poussière.
		Le sac à poussière n'est pas correctement installé.	Veuillez installer le sac à poussière correctement.
		Le couvercle du réservoir à poussière n'est pas fermé.	Veuillez vérifier si le couvercle du réservoir à poussière est bien fermé.
13	Une fuite de poussière se produit pendant que le DEEBOT fonctionne.	La sortie du bac à poussière est bloquée par des corps étrangers.	Retirez le bac à poussière et dégagez les corps étrangers sur la sortie.
14	La serpillière à rouleau ne tourne pas.	La serpillière à rouleau n'est pas correctement installée.	Installez la vadrouille à rouleau correctement selon la section [ENTRETIEN RÉGULIER] .
		La serpillière à rouleau est bloquée par des corps étrangers.	Nettoyez et installez la vadrouille à rouleau correctement selon la section [ENTRETIEN RÉGULIER] .
15	La roue motrice est bloquée.	La roue motrice est enchevêtrée ou coincée en raison de corps étrangers.	Tournez et appuyez sur la roue motrice pour vérifier s'il y a un enchevêtrement ou une obstruction par des corps étrangers. Si des corps étrangers sont trouvés, veuillez les nettoyer rapidement. Si ce problème persiste, veuillez contacter le service à la clientèle pour obtenir de l'aide.

No.	Dysfonctionnement	Cause potentielle	Solution
16	Le plateau de lavage de la serpillière est plein d'eau et ne peut pas être vidé. Une invite vocale signale le mauvais fonctionnement du plateau de lavage de la vadrouille.	Le réservoir d'eau sale n'est pas correctement installé.	Tapotez le réservoir d'eau sale pour vous assurer qu'il est correctement installé.
		Les bouchons d'étanchéité du réservoir d'eau sale ne sont pas installés correctement.	Assurez-vous que les deux bouchons d'étanchéité sont correctement installés.
		Le plateau de lavage de la serpillière n'est pas correctement installé.	Vérifiez et assurez-vous que le plateau de lavage de la serpillière est correctement installé.
		Vérifiez si la bille flottante est coincée lorsqu'il n'y a pas d'eau dans la base du plateau de lavage de la serpillière.	Sortez le plateau de lavage de la serpillière pour remettre la bille flottante en place.
		La station OMNI ne peut pas vider l'eau normalement.	Placez le DEEBOT dans la station. Après vous être assuré qu'il est en charge, appuyez deux fois sur  . Si le problème persiste, veuillez contacter le service à la clientèle pour obtenir de l'aide.
		L'orifice d'aspiration du plateau de lavage de la serpillière est bloqué par des corps étrangers ou de la saleté.	Veuillez nettoyer le plateau de lavage de la serpillière et son filtre, et assurez-vous que l'entrée est exempte de tout objet étranger.
		L'alerte vocale persiste après avoir essayé toutes les solutions ci-dessus.	Éteindre et allumer la station. Si ce problème persiste, veuillez contacter le service à la clientèle pour obtenir de l'aide.

Veillez contacter notre service à la clientèle pour obtenir de l'aide si le problème persiste malgré les solutions recommandées.



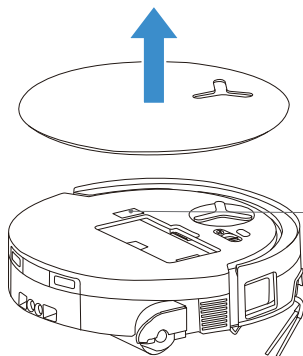
SPÉCIFICATIONS TECHNIQUES

Modèle	DEX35		
Entrée nominale	17,8 V === 2 A	Entrée de recharge rapide	16,4 V === 10,5 A
Temps de recharge	environ 4,5 h		
Modèle de station	CH2542		
Entrée nominale	110-120 V ~ 50-60 Hz		
Sortie de recharge nominale	17,8 V === 2 A	Sortie de recharge rapide (courte durée)	16,4 V === 10,5 A
Courant d'entrée nominal (recharge)	3 A	Alimentation (vidange)	4,5 A
Alimentation (Serpillère lavable à l'eau chaude)	4 A		

La puissance de sortie du module sans fil est inférieure à 100 mW.

Remarque : Les spécifications techniques et de conception peuvent être modifiées pour améliorer continuellement le produit.

Découvrez d'autres accessoires sur <https://www.ecovacs.com>.



Veillez utiliser la caméra de téléphone cellulaire pour balayer le code QR et obtenir le guide de l'utilisateur.

INSTRUCCIONES IMPORTANTES DE SEGURIDAD

INSTRUCCIONES IMPORTANTES DE SEGURIDAD

LEA TODAS LAS INSTRUCCIONES ANTES DE UTILIZAR ESTE APARATO.

Cuando se utilice un aparato eléctrico, se deben cumplir siempre precauciones básicas entre las que se incluyen las siguientes:

ADVERTENCIA: Lea todas las advertencias e instrucciones de seguridad.

El incumplimiento de las advertencias e instrucciones puede resultar en descargas eléctricas, incendio o lesiones graves.

1. No permita que se utilice como juguete. Es necesario prestar mucha atención cuando lo utilicen niños o estén cerca.
2. Despeje la zona a limpiar. Retire del suelo los cables de alimentación y los objetos pequeños que puedan enredar el aparato. Meta los flecos de la alfombra debajo de la base de la alfombra y levante del suelo objetos como cortinas y manteles.
3. Si hay un desnivel en la zona a limpiar debido a un escalón o una escalera, debe usar el aparato de modo de asegurar que pueda detectar el escalón sin caerse por el borde. Puede ser

necesario colocar una barrera física en el borde para evitar que la unidad caiga. Asegúrese de que no hay peligro de tropezar en la barrera física.

4. Utilícela solo como se describe en este manual. Utilice únicamente los accesorios recomendados o vendidos por el fabricante.
5. No manipule el enchufe ni el aparato con las manos mojadas.
6. Prohibido usar pilas no recargables.
7. No utilizar sin el depósito de polvo y/o los filtros colocados.
8. No utilice la aspiradora en una zona donde haya velas encendidas u objetos frágiles en el suelo a limpiar.
9. No utilizar ni almacenar en ambientes extremadamente calientes o fríos (por debajo de $-5^{\circ}\text{C}/23^{\circ}\text{F}$ o por encima de $40^{\circ}\text{C}/104^{\circ}\text{F}$). Cargue el robot a una temperatura superior a $0^{\circ}\text{C}/32^{\circ}\text{F}$ e inferior a $40^{\circ}\text{C}/104^{\circ}\text{F}$.
10. Mantenga el cabello, la ropa suelta, los dedos y todas las partes del cuerpo alejados de cualquier abertura y pieza móvil.
11. No utilice el aparato en una habitación donde duerma un bebé o un niño.
12. **EXCLUSIVAMENTE** para uso en INTERIORES. No utilice el aparato en exteriores ni entornos comerciales o industriales. No utilice el aparato sobre superficies mojadas o con agua estancada.

13. No permita que el aparato recoja objetos grandes como piedras, trozos grandes de papel o cualquier elemento que pueda obstruir el aparato.
14. No lo utilice para recoger materiales inflamables o combustibles como gasolina, tóner de impresora o fotocopidora, ni en zonas donde puedan estar presentes.
15. No recoja nada que esté ardiendo o humeando, como cigarrillos, fósforos, cenizas calientes o cualquier cosa que pueda provocar un incendio.
16. No introduzca ningún objeto en las aberturas. No lo utilice con alguna abertura bloqueada; manténgalo libre de polvo, pelusa, pelo y cualquier cosa que pueda reducir el flujo de aire.
17. Tenga cuidado de no dañar el cable de alimentación. No tire del aparato ni de la base de conexión ni los transporte por el cable de alimentación. No utilice el cable de alimentación como asa, no cierre una puerta sobre el cable de alimentación ni tire del cable de alimentación alrededor de bordes o esquinas filosos. No pase el aparato y la base de conexión por encima del cable de alimentación. Mantenga el cable de alimentación alejado de superficies calientes. No desenchufe tirando del cable. Para desenchufar sujete el enchufe, no el cable.
18. Si el cable de alimentación está dañado, debe ser sustituido por el fabricante o su servicio técnico para evitar peligros.
19. No utilizar con un cable de alimentación o un enchufe dañados. No utilice el aparato ni la base de conexión si no funcionan correctamente, se han caído, han sufrido daños, se han dejado a la intemperie o han entrado en contacto con agua. Debe ser reparado por el fabricante o su servicio técnico para evitar riesgos.
20. Apague el interruptor de alimentación antes de limpiar o realizar tareas de mantenimiento en el aparato. Apague todos los mandos antes de desenchufar. Apague siempre este aparato antes de conectar o desconectar la boquilla motorizada.
21. Apague el interruptor de alimentación antes de retirar el depósito de polvo.
22. Retire el aparato de la base de conexión y apague el interruptor de alimentación antes de extraer la batería para deshacerse del aparato.
23. La batería se debe retirar y desechar de acuerdo con las leyes y normativas locales antes de deshacerse del aparato.
24. Deseche las baterías usadas de acuerdo con las leyes y normativas locales.
25. No incinere el aparato aunque esté gravemente dañado. Las baterías pueden explotar en un fuego.
26. Cuando no utilice la base de conexión, desenchúfela del tomacorriente antes de repararla.

27. El Aparato debe utilizarse de acuerdo con las instrucciones de este Manual. Ecovacs Home Service Robotics no se hace responsable de los daños o lesiones causados por un uso inadecuado.
28. Evite el arranque involuntario. Asegúrese de que el interruptor está en la posición de apagado antes de conectar la batería, recoger o transportar el aparato.
29. Cuando la batería no esté en uso, manténgala alejada de otros objetos metálicos como clips, monedas, llaves, clavos, tornillos u otros objetos metálicos pequeños, que puedan conectar un terminal a otro. Un cortocircuito entre los terminales de la batería puede provocar quemaduras o un incendio.
30. En caso de mal uso, puede salir líquido de la batería; evite el contacto con el mismo. En caso de contacto accidental, lavar con agua. Si el líquido entra en contacto con los ojos, acurra además a ayuda médica. El líquido expulsado por la batería puede provocar irritaciones o quemaduras.
31. No utilice baterías o aparatos dañados o modificados. Las baterías dañadas o modificadas pueden comportarse de forma impredecible que provoque incendios, explosiones o riesgo de lesiones.
32. No exponga la batería ni el aparato al fuego ni a temperaturas excesivas. La exposición al fuego o a temperaturas superiores a 130°C puede provocar una explosión. La temperatura de 130°C puede sustituirse por la de 265°F.
33. Siga todas las instrucciones de carga y no cargue la batería ni el aparato fuera del intervalo de temperatura especificado en las instrucciones. Una carga inadecuada o a temperaturas fuera del intervalo especificado puede dañar la batería y aumentar el riesgo de incendio.
34. Encargue el mantenimiento a un técnico cualificado que utilice únicamente piezas de repuesto idénticas. Esto garantizará que se mantenga la seguridad del producto.
35. No modifique ni intente reparar el aparato o la batería (según corresponda), excepto en los casos indicados en las instrucciones de uso y cuidado.
36. Coloque los cables de otros aparatos fuera de la zona a limpiar.
37. No utilice la aspiradora en una habitación en la que haya velas encendidas sobre muebles con los que la aspiradora pueda chocar accidentalmente.
38. No permita que los niños se sienten sobre la aspiradora.
39. Utilícela solo como se describe en este manual. Utilice únicamente accesorios recomendados por el fabricante.

40. Recargue solo con el cargador especificado por el fabricante. Un cargador adecuado para un tipo de batería puede crear riesgo de incendio si se utiliza con otro tipo de batería.
41. Utilice los aparatos solo con las baterías específicamente indicadas. El uso de cualquier otra batería puede crear un riesgo de lesiones e incendio.
42. El robot contiene baterías que solo pueden ser sustituidas por personal cualificado. Para sustituir la batería del robot, póngase en contacto con el Servicio de Atención al Cliente.
43. Si el robot no se va a utilizar durante mucho tiempo, cárguelo completamente, apáguelo para guardarlo y desenchufe la base de conexión.
44. Para reducir el riesgo de un choque eléctrico, no lo use sobre superficies húmedas. No lo exponga a la lluvia. Almacenar en interiores.
45. Para reducir el riesgo de lesiones por piezas móviles, desenchúfelo antes de repararlo.
46. Riesgo de lesiones. El cepillo puede arrancar inesperadamente. Desenchúfelo antes de proceder a su limpieza o reparación.
47. Para reducir el riesgo de lesiones, el usuario debe leer el manual de instrucciones.
48. Reducir el riesgo de un choque eléctrico: no usar en exteriores ni sobre superficies húmedas.
49. Asegúrese de que la tensión de su fuente de alimentación coincide con la tensión marcada en la base de conexión.

50. No utilice la base de conexión si está dañada.
51. Antes de proceder a la limpieza o al mantenimiento de la base de conexión, debe desenchufar el cable del tomacorriente.
52. Interruptor de alimentación: "I"=ENCENDIDO, "O"=APAGADO.

≡	Corriente continua
~	Corriente alterna

Este dispositivo cumple con las normas de radiación del DHHS, 21CFR Capítulo 1, Subcapítulo J.

Declaración de interferencias de la Comisión Federal de Comunicaciones (FCC)

NOTA: Este equipo ha sido ensayado, hallándose que cumple con los límites establecidos para los dispositivos digitales de Clase B, de conformidad con la Parte 15 de las normas de la FCC.

Estos límites están diseñados para proporcionar una protección razonable contra interferencias perjudiciales en una instalación residencial. Este equipo genera, utiliza y puede irradiar energía de radiofrecuencia y, si no se instala y utiliza de acuerdo con las instrucciones, puede causar interferencias perjudiciales a las comunicaciones por radio.

Sin embargo, no hay garantía de que no se produzcan interferencias en una instalación determinada. Si este equipo sí causa interferencias perjudiciales a la recepción de radio o televisión, lo cual se puede determinar apagando y encendiendo el equipo, se recomienda al usuario que intente corregir la interferencia mediante una o más de las siguientes medidas:

- Reoriente o reubique la antena receptora.
- Aumente la separación entre el equipo y el receptor.
- Conecte el equipo a un tomacorriente en un circuito distinto al que está conectado el receptor.
- Consulte al distribuidor o a un técnico experto en radio/TV para obtener asistencia.

Este dispositivo cumple la Parte 15 de las normas de la FCC. El uso está sujeto a las dos condiciones siguientes:

- (1) Este dispositivo no debe causar interferencias dañinas, y
- (2) este dispositivo debe aceptar cualquier interferencia recibida, incluidas las interferencias que puedan causar un funcionamiento no deseado.

Precaución: Los cambios o modificaciones de esta unidad no aprobados expresamente por la parte responsable del cumplimiento podrían anular la autoridad del usuario para utilizar el equipo.

Este dispositivo contiene transmisor(es)/receptor(es) exentos de licencia que cumplen con los RSS(s) exentos de licencia de Innovation, Science and Economic

Development (Innovación, Ciencia y Desarrollo Económico) de Canadá. El uso está sujeto a las dos condiciones siguientes:

- (1) Este dispositivo no debe causar interferencias.
- (2) Este dispositivo debe aceptar cualquier interferencia, incluidas las interferencias que puedan causar un funcionamiento no deseado del dispositivo.

Advertencia sobre exposición a RF

Este equipo cumple los límites de exposición a la radiación de la FCC, establecidos para un entorno no controlado.


Este equipo se debe instalar y utilizar de acuerdo con las instrucciones suministradas y la antena o antenas utilizadas para este transmisor se deben instalar a una distancia mínima de 20 cm de toda persona, y no deben colocarse cerca de, ni funcionar conjuntamente con, ninguna otra antena o transmisor.

Precaución MPE (para dispositivos móviles según la Parte 15.247)

Para cumplir los requisitos de exposición a radiofrecuencias de FCC e IC, debe mantenerse una separación de 20 cm o más entre la antena de este dispositivo y las personas durante su funcionamiento.

Para garantizar el cumplimiento de la normativa, no se recomienda operar a menos de esta distancia.

Para desactivar el módulo Wi-Fi de DEEBOT, siga estos

pasos: encienda el robot, colóquelo sobre la estación OMNI asegurándose de que los contactos de carga de DEEBOT y de la estación estén correctamente conectados, y mantenga pulsado  durante 30 s hasta que oiga pitidos.

Para habilitar el Wi-Fi del DEEBOT, reinicie el robot o pulse en .

GUARDE ESTAS INSTRUCCIONES

EXCLUSIVAMENTE para uso hogareño en INTERIORES.

Este dispositivo contiene transmisor(es)/receptor(es) exentos de licencia que cumplen con los RSS(s) exentos de licencia de Innovation, Science and Economic Development (Innovación, Ciencia y Desarrollo Económico) de Canadá. El uso está sujeto a las dos condiciones siguientes:

- (1) Este dispositivo no debe causar interferencias.
- (2) Este dispositivo debe aceptar cualquier interferencia, incluidas las interferencias que puedan causar un funcionamiento no deseado del dispositivo.

Para cumplir los requisitos de exposición a radiofrecuencias de FCC e IC, debe mantenerse una separación de 20 cm o más entre la antena de este dispositivo y las personas durante su funcionamiento.

Para garantizar el cumplimiento de la normativa, no se recomienda operar a menos de esta distancia.

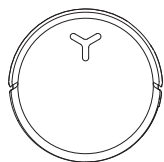
Actualización de dispositivos

En general algunos dispositivos se actualizan cada dos meses, pero no siempre es tan específico.

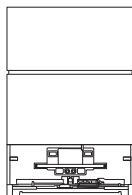
Algunos dispositivos, especialmente los que salieron a la venta hace más de tres años, solo se actualizarán si se encuentra y soluciona una vulnerabilidad crítica.

CONTENIDO DEL PAQUETE

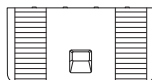
1 Contenido del paquete



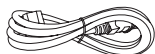
DEEBOT



Estación OMNI



Base



Cable de alimentación



Manual de instrucciones



Cantoneras



Solución de limpieza ECOVACS DEEBOT



Solución de limpieza para trabajos pesados ECOVACS DEEBOT

Nota:

*Se incluye un par de protectores de esquinas para aumentar la seguridad del usuario y mejorar la comodidad de manejo. Para montarlos: alinee la ranura interior del protector de esquinas con el borde y presiónelo hasta que encaje en su sitio. Compatible con todos los diseños de esquinas DEEBOT.

*Las figuras de este manual son solo para referencia y pueden diferir del aparato. El diseño y las especificaciones del producto están sujetos a cambios sin previo aviso.

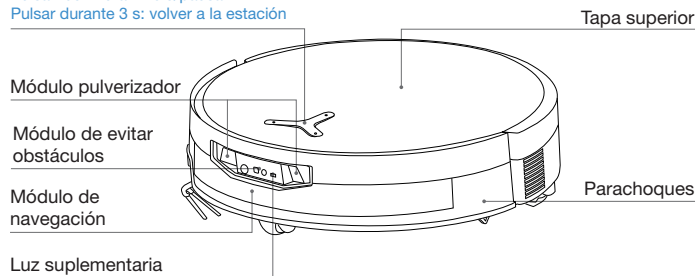
2 Diagrama del producto

1. Vista frontal del DEEBOT

Botones del DEEBOT:

Pulsar: conmutar inicio/pausa

Pulsar durante 3 s: volver a la estación



2. Vista inferior del DEEBOT

Sensores anticaída

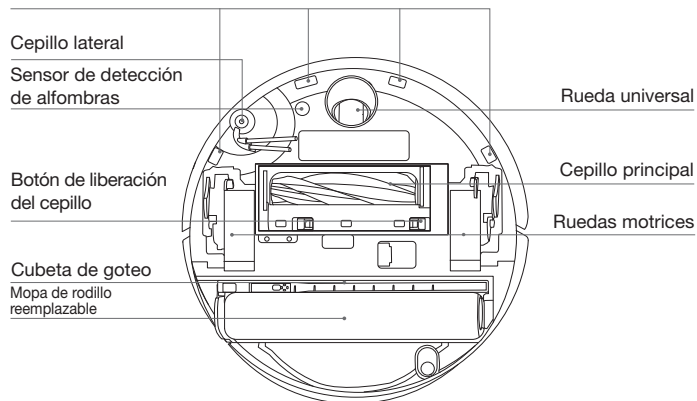
Cepillo lateral

Sensor de detección de alfombras

Botón de liberación del cepillo

Cubeta de goteo

Mopa de rodillo reemplazable



3. Dentro de DEEBOT (bajo la cubierta superior)

Botón RESET

Configuración de la red: Pulse el botón RESET, y se oirá un aviso de voz para conectar DEEBOT a la aplicación.

Restablecer la configuración predeterminada: Mantenga pulsado el botón RESET durante 5 segundos. Después de escuchar el mensaje de voz, se oirá la música de inicio y DEEBOT se restaurará a su configuración predeterminada. Tenga cuidado al utilizar esta función.

Indicador de estado de Wi-Fi/Botón RESET

Contactos de carga

Lumbrera de llenado de agua

Interruptor de alimentación
"I" = ENCENDIDO
"O" = APAGADO

Sensor de bordes
Botón de liberación del rodillo

4. Depósito de polvo

Tapa del depósito de polvo

Pestillo del filtro

Filtro

Portafiltro

Lumbrera de eliminación de polvo

5. Vista frontal de la estación OMNI

Depósito de agua sucia

Depósito de agua limpia

Cajón para recoger el polvo

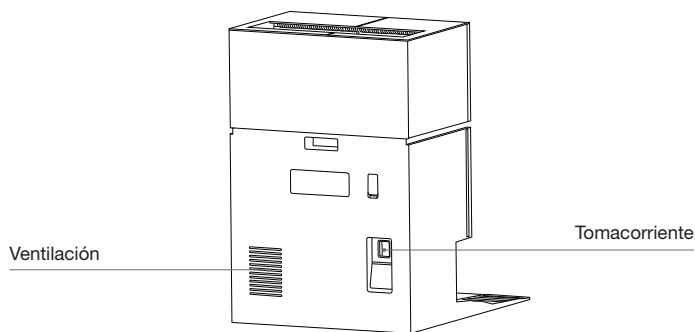
Contactos de carga

Cubeta para lavado de la mopa

Nota:

- Naranja o rojo intermitente: compruebe la causa de la falla de funcionamiento en la aplicación ECOVACS HOME.
- Si el DEEBOT no se carga, limpie los contactos de carga con un paño limpio y seco.

6. Vista posterior de la estación OMNI



7. Indicador luminoso del DEEBOT

Efecto luminoso	Estado
Parpadea blanco	Cargando
Blanco permanente	Completamente cargado/en funcionamiento
Rojo permanente	Batería baja
Rojo intermitente	Alarma DEEBOT
Naranja intermitente	Alarma de estación

8. Sensores

Nombre	Descripción funcional
Módulo de navegación	La telemetría por láser se aplica para medir la distancia entre el DEEBOT y los objetos circundantes basándose en la diferencia de tiempo de la reflexión, lo cual permite al módulo trazar un mapa de los objetos circundantes mientras el DEEBOT se mueve. El alcance de detección es de 10 m.
Módulo de evitar obstáculos	Para medir la distancia entre los objetos circundantes y el DEEBOT, se aplica la telemetría por infrarrojos y triángulos similares. Cuando el sensor detecta un objeto cercano, DEEBOT gira automáticamente para evitar chocar con el mismo. El alcance de detección es de 0,3 m.
Sensores anticaída	Utilizando el principio del tiempo de vuelo (dToF), el sensor dToF situado en la parte inferior del DEEBOT mide continuamente la distancia entre el DEEBOT y el suelo. Mientras tanto, los sensores de infrarrojos de la parte inferior detectan la distancia usando tecnología de telemetría por infrarrojos. El DEEBOT no avanzará cuando haya escaleras delante (como cuando la altura de la superficie blanca es de 55 mm o más, o la altura de la superficie negra es de 30 mm o más) y la altura identificada supere la preestablecida, ejecutando la función anti-caída.
Sensor de detección de alfombras	El sensor emite ultrasonidos de 300 kHz, cuya energía será absorbida por la alfombra, provocando que la energía del eco sea inferior al umbral. DEEBOT detecta así la presencia de la alfombra. En el laboratorio ECOVACS se identifican más de 50 tipos de alfombras disponibles en el mercado.
Sensor anticolisión	Aplicando el principio del interruptor optoacoplado, DEEBOT evitará los obstáculos cuando esté a punto de chocar.
Sensor de bordes	Con telemetría por infrarrojos, el sensor de bordes detecta la distancia entre el DEEBOT y los objetos laterales. Cuando hay una pared u obstáculos a la derecha, el DEEBOT realiza una limpieza de los bordes para no perderse ningún punto y evitar choques.
Cámara AIVI	El análisis inteligente mediante IA se utiliza para analizar el ambiente y para la gestión eficiente de video (en algunos modelos).
Micrófono	El micrófono capta el sonido a través de las vibraciones del diafragma, provocadas por la voz humana, que se desplazan por el aire. Esto permite la grabación de voz y el control por voz para dirigir al DEEBOT para que complete el trabajo asignado a través de la adquisición y los algoritmos de modelos de sonido. La distancia efectiva de estela es de 5 m.
Sensor de manchas por infrarrojos	Mediante iluminación infrarroja, DEEBOT detecta partículas y suciedad líquida a una distancia de hasta 40 cm del suelo y aplica estrategias de limpieza inteligentes.

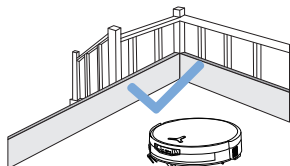
CONFIGURACIÓN Y USO INICIALES

1 Notas antes de la limpieza



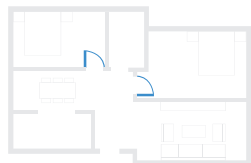
Ordene la zona a limpiar

Para obtener la máxima superficie de limpieza posible, coloque los muebles como mesas, sillas y ventiladores de pie, en su sitio, y aparte los objetos bajos, como básculas, antes de utilizar el DEEBOT.



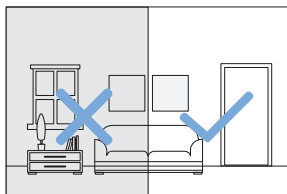
Evite que DEEBOT se caiga

Coloque una barrera física en el borde de un desnivel, como escaleras y escalones, para impedir que el DEEBOT caiga por el borde.



Abra puertas y ayude a DEEBOT a explorar

Abra todas las puertas de las habitaciones para ayudar a DEEBOT a explorar completamente su casa durante el primer uso.



Proporcione iluminación suficiente

Asegúrese de que todas las áreas a limpiar estén bien iluminadas para que el módulo de evitar obstáculos de DEEBOT pueda evitar con precisión obstáculos como zapatos, calcetines y cables.



Retire del suelo objetos como cables, ropa y zapatillas, para mejorar la eficacia de la limpieza.



Antes de utilizar el producto en una alfombra con flecos, doble los flecos por debajo de la alfombra.



No se pare en espacios estrechos, como pasillos, para evitar bloquear el módulo de navegación.



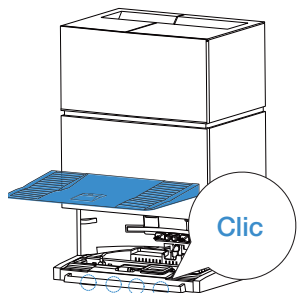
Garantice la claridad de visión de DEEBOT y evite rayar o manchar la lente del módulo de evitar obstáculos con huellas dactilares o manchas de aceite. Utilice un paño limpio y suave para limpiar la cámara, en lugar de productos de limpieza, detergentes o aerosoles.

2 Inicio rápido

Retire todos los materiales de protección antes de utilizar el aparato.

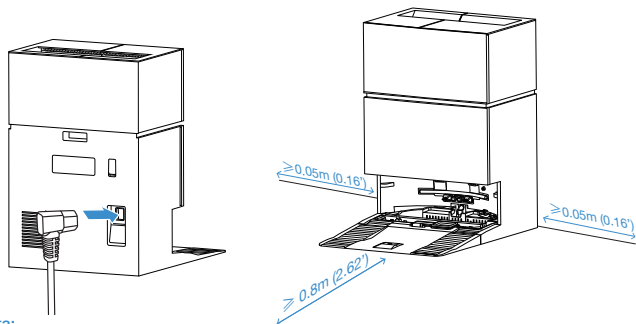
1. Instalación de la estación

El sonido "clic" indica una instalación correcta.



2. Montaje y colocación de la estación

Coloque la estación OMNI contra la pared sobre una superficie plana y dura. No coloque objetos a menos de 0,05 m a cada lado y 0,8 m por delante.



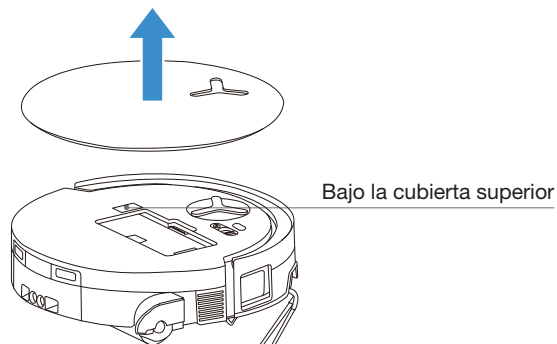
Nota:

- Si hay objetos reflectantes, como espejos y zócalos reflectantes, cerca de la estación, deben cubrirse los 14 cm inferiores de dichos objetos.
- No coloque la estación bajo la luz solar directa ni en entornos a alta temperatura.
- Coloque la estación en un lugar con una señal Wi-Fi potente para mejorar la experiencia del usuario.

3 Descargar la aplicación ECOVACS HOME

Para disfrutar de todas las funciones disponibles, se recomienda controlar su DEEBOT a través de la aplicación ECOVACS HOME.

Escanee el código QR situado bajo la cubierta superior para descargar la aplicación ECOVACS HOME.





O busque "ECOVACS HOME" en App Store o Google Play para descargar la aplicación ECOVACS HOME.



Nota: Siga las instrucciones de la aplicación para completar el registro, el inicio de sesión y la conexión.

4 Conectar DEEBOT con la aplicación

Vía Bluetooth: Encienda el DEEBOT y el Bluetooth de su teléfono móvil. Permita que la aplicación obtenga el permiso Bluetooth del teléfono móvil. Toque para escanear el código QR en DEEBOT o toque  o  en la aplicación para encontrar el DEEBOT más cercano.

Vía Wi-Fi: También puede elegir conectar DEEBOT con la aplicación a través de otros métodos según las indicaciones de la página de la aplicación.


Nota: conéctese por Bluetooth para obtener una mejor experiencia.

Nota: Conéctese por Bluetooth para obtener una mejor experiencia.

Requisitos de la red Wi-Fi:

- Está utilizando una red mixta de 2,4 GHz o 2,4/5 GHz.
- Su router admite 802.11b/g/n y el protocolo IPv4.
- No utilice una VPN (red privada virtual) ni un servidor proxy.
- No utilice una red oculta.
- WPA y WPA2 con cifrado TKIP, PSK, AES/CCMP.
- WEP EAP (Enterprise Authentication Protocol) no es compatible.
- Utilice los canales de Wi-Fi 1-11 en Norteamérica y los canales 1-13 fuera de Norteamérica (consulte al organismo regulador local).
- Si utiliza un extensor/repetidor de red, el nombre de la red (SSID) y la contraseña son iguales a los de su red principal.
- Active el WPA2 en su enrutador.

Indicador luminoso de Wi-Fi

	Luz blanca intermitente lenta	Desconectado de Wi-Fi
	Luz blanca intermitente rápida	Conectando
	Luz blanca estable	Conectado a Wi-Fi


Tenga en cuenta que para las funciones inteligentes como puesta en marcha remota, interacción por voz, visualización de mapas 2D/3D y los ajustes de control, así como la limpieza personalizada (dependiendo del aparato), se necesita la aplicación ECOVACS HOME App que se actualiza constantemente. Debe aceptar nuestra Política de privacidad y el Acuerdo de usuario para que podamos procesar parte de su información esencial y necesaria antes de que pueda utilizar determinadas funciones de la aplicación ECOVACS HOME para controlar el aparato. Si no está de acuerdo con nuestra Política de privacidad y el Acuerdo de usuario, dichas funciones no estarán disponibles. No obstante, puede seguir utilizando las funciones básicas de este aparato en uso manual.

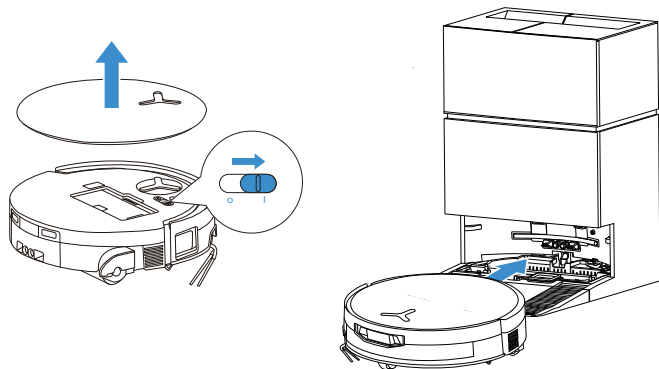
Información de la interfaz de red

Nombre	Descripción
Interfaz infrarroja	La interfaz infrarroja está desactivada de forma predeterminada y se activa cuando DEEBOT se encuentra en la estación de carga. Cuando el DEEBOT se encuentra en la estación de carga, se comunica con la estación de carga a través de la interfaz infrarroja.
Bluetooth	Active Bluetooth para conectar el robot a la red durante el proceso de configuración de la red. Bluetooth utiliza el servicio GAP1800, GATT 1801, 8888 para configuración e interacción de datos de forma segura.
Wi-Fi*	Facilita la transferencia de datos entre la aplicación y DEEBOT, permitiendo así controlar a DEEBOT por medio de la aplicación.
Aplicación ECOVACS HOME	Los productos ECOVACS ofrecen funciones inteligentes como configuración de la red, mapeo y selección del modo de limpieza (específico para cada producto). Para utilizar estas funciones, los usuarios necesitan descargar y utilizar la Aplicación ECOVACS Home oficial.

* Las aspiradoras robóticas de la serie DEEBOT están diseñadas para escenarios de limpieza doméstica. Para su operación se requiere de una red Wi-Fi doméstica, y los usuarios necesitan configurar la protección anti-DDOS a través de la configuración de ruta.

5 Encender y cargar el DEEBOT

Accionar el interruptor de alimentación situado bajo la tapa del DEEBOT ("I" = ENCENDIDO, "O" = APAGADO) , y colocar el DEEBOT delante de la estación conectada a la red eléctrica. Utilice la aplicación o el control por voz para llamar a DEEBOT, o mantenga pulsado  en DEEBOT durante 3 s para permitir que DEEBOT se acople para cargarse.

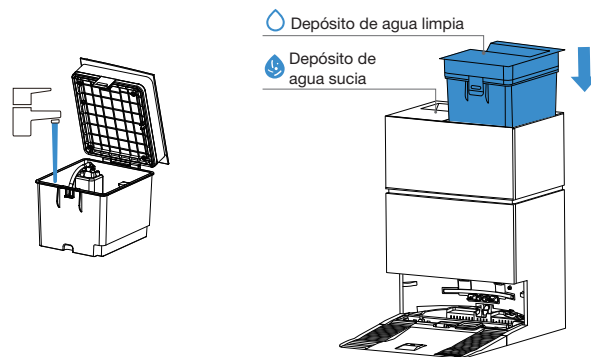


Nota:

- El DEEBOT no se puede cargar cuando está apagado.
- Después de la limpieza, se recomienda mantener el DEEBOT encendido y cargando para asegurarse de que esté listo para la siguiente sesión de limpieza.
- Inicie la limpieza desde la estación. No mueva la estación durante la limpieza.

6 Llenar el depósito de agua limpia

Saque el depósito de agua limpia, abra la tapa del depósito y llénelo de agua. Cierre la tapa del depósito y vuelva a montar el depósito de agua limpia.

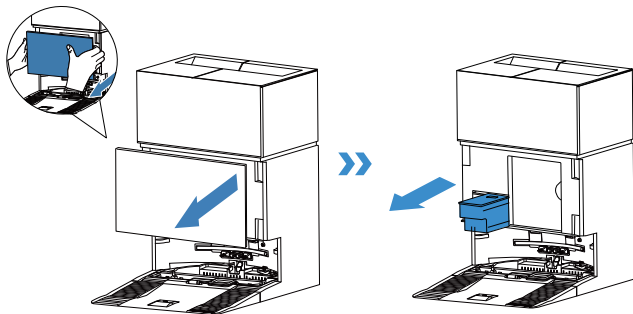


Nota:

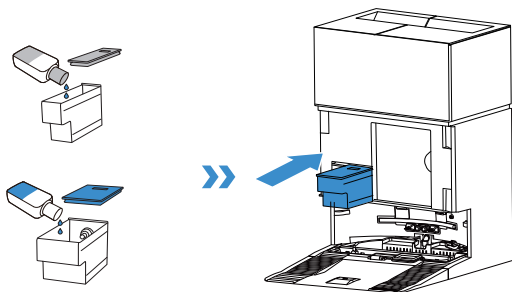
- Utilice únicamente la solución de limpieza ECOVACS DEEBOT para evitar fallas de funcionamiento.
- Limpie la superficie del depósito con un paño limpio y seco antes de colocarlo en su posición.
- Asegúrese de cerrar bien las tapas superiores de ambos depósitos de agua antes del uso.
- Las marcas de agua en los depósitos de agua se producen durante las pruebas de funcionamiento. Utilícelo con confianza.

7 Añadir solución limpiadora

1. Retire la tapa del cajón para recoger el polvo, extraiga las dos cajas de solución de limpieza y colóquelas sobre una superficie plana y dura.



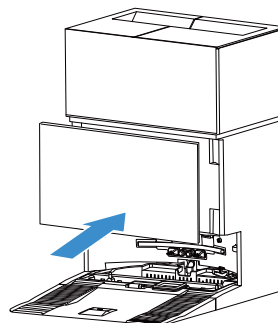
2. Vierta la solución de limpieza en la caja azul y la solución de limpieza para trabajos pesados en la caja negra. Después de asegurar las tapas de las cajas, vuelva a introducir las en la estación y cierre la tapa del depósito.



Nota:

- No vierta solución de limpieza en el depósito de agua limpia. En su lugar, viértala en el depósito de la solución de limpieza. De lo contrario, una proporción incorrecta puede provocar una formación excesiva de espuma y reducir la eficacia de la limpieza.

3. Vuelva a colocar la tapa del cajón para recoger el polvo y presione firmemente la tapa para fijarla en su posición.



Nota:

- No llene en exceso con solución de limpieza, ya que podría derramarse cuando la tapa esté cerrada. Este paso se puede omitir si no utiliza periódicamente la solución de limpieza para suelos y la función de dispensación automática de solución de limpieza se puede desactivar en la aplicación.
- Para un mejor rendimiento y una mayor vida útil del producto, utilice la solución de limpieza ECOVACS DEEBOT.
- Asegúrese de que no caigan objetos extraños en la caja de la solución de limpieza.

8 Usar DEEBOT para limpiar


1. Inicio de la cartografía

Antes del primer mapeo, por favor, ayude a eliminar algunos posibles problemas. Por ejemplo, DEEBOT puede quedarse atascado debajo de muebles. Consulte las siguientes soluciones:


- 1 Levante los muebles bajos si es posible;
- 2 Cubra la parte inferior de los muebles;
- 3 Establezca un límite virtual por medio de la aplicación.

2. Iniciar la limpieza


- El depósito de agua del DEEBOT se rellena automáticamente por medio de la estación. No es necesario rellenar manualmente.
- Al fregar, DEEBOT reconoce los tipos de suelo y es capaz de levantar las mopas automáticamente cuando encuentra alfombras. No utilice DEEBOT sobre alfombras o moquetas de pelo largo. Se recomienda plegar las alfombras de pelo largo durante el proceso de limpieza, o definir las zonas alfombradas como zona de entrada prohibida fijando un límite virtual en la aplicación.

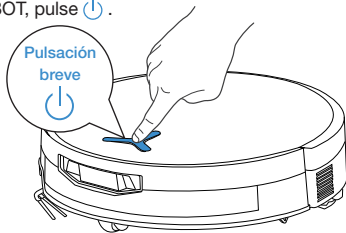
Asegúrese de que DEEBOT esté en la estación y completamente cargado antes de limpiarlo por primera vez. Pulse  en DEEBOT para empezar. También puede utilizar la aplicación ECOVACS HOME o el control por voz para empezar.

3. Pausa


Pulse  en DEEBOT para pausarlo mientras está trabajando. También puede utilizar la aplicación ECOVACS HOME o el control por voz para pausar el DEEBOT.

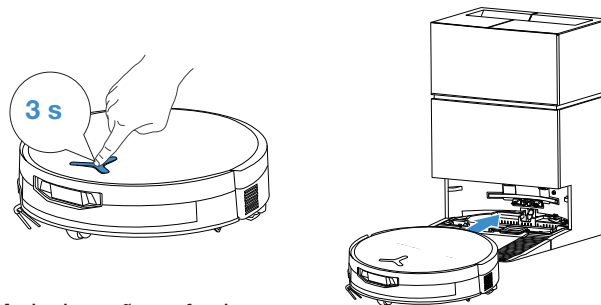
4. Despertar

Después de una pausa, todas las luces indicadoras del DEEBOT se apagarán. Para despertar a DEEBOT, pulse .



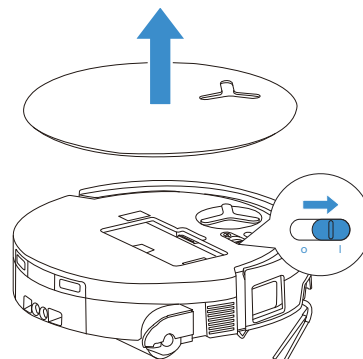
5. Volver a la estación

Utilice la aplicación ECOVACS HOME o el control por voz para llamar a DEEBOT, o mantenga pulsado el botón  de DEEBOT durante 3 s para permitir que DEEBOT se acople para cargarse.



6. Modo de sueño profundo

DEEBOT entrará en modo de sueño profundo si permanece fuera de la estación durante unas 10 h para proteger la batería. Apague y encienda para despertar a DEEBOT.



Cuando DEEBOT regresa a la estación durante una tarea, PowerBoost Charging se inicia de forma predeterminada y tardará aproximadamente 5 minutos. A continuación, pasará a la carga estándar y se detendrá automáticamente una vez cargado por completo.

MANTENIMIENTO PERIÓDICO

1 Frecuencia de mantenimiento

Para mantener a DEEBOT funcionando al máximo rendimiento, realice mantenimiento y sustituya piezas con las siguientes frecuencias:

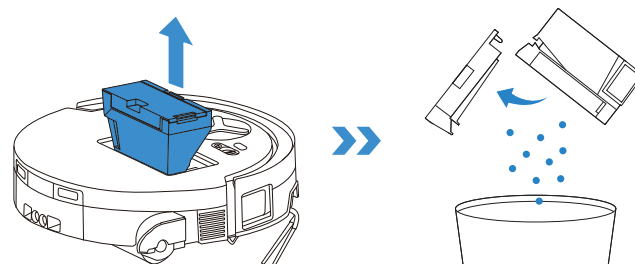
Pieza	Frecuencia de mantenimiento	Sustitución
Rodillo reemplazable	/	Cada 1-2 meses
Cubeta de goteo	Cada semana	/
Bolsa para polvo	/	Cuando la aplicación lo indique
Cepillo lateral	Cada 2 semanas	Cada 3-6 meses
Cepillo principal	Cada semana	Cada 6-12 meses
Filtro	Cada semana	Cada 3-6 meses
Sensor de bordes Rueda universal Sensores anticaída Parachoques Contactos de carga de DEEBOT Contactos de carga de la estación OMNI Módulo de navegación Módulo de evitar obstáculos	Aprox. cada mes	/
Depósito de agua limpia	Cada 3 meses	/
Depósito de agua sucia	Cada mes	/
Cuerpo y fondo de la estación	Cada mes	/
Cubeta para lavado de la mopa	Cada 5 meses	/
Unidad de solución de limpieza	Cada mes	/

Nota: Explore más accesorios en la aplicación ECOVACS HOME o en <https://www.ecovacs.com>.

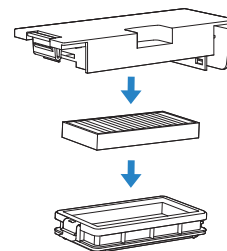
MANTENIMIENTO DEL DEEBOT

1 Mantenimiento del depósito de polvo y del filtro

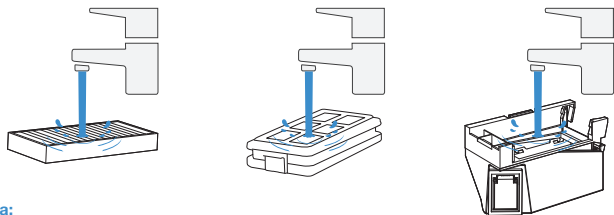
1. Retire el depósito de polvo y vacíelo.



2. Abra la red del filtro y retire el filtro.



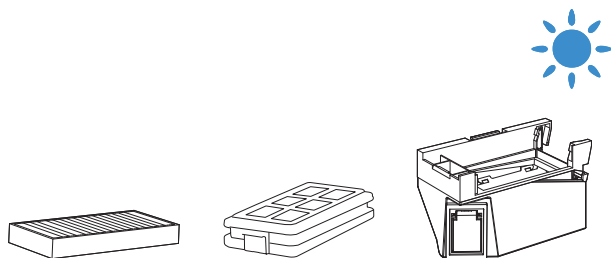
3. Lave el depósito de polvo y el filtro con agua y sacúdalos para eliminar las gotas de agua.



Nota:

- Lave el filtro con agua como se muestra.
- No utilice los dedos ni cepillos para limpiar el filtro.

4. Seque al aire el depósito de polvo y el filtro.



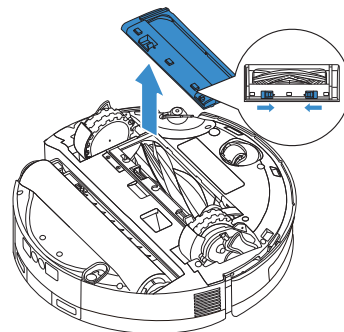
Nota: Seque completamente los componentes antes del uso.

2 Mantenimiento del cepillo principal y del cepillo lateral

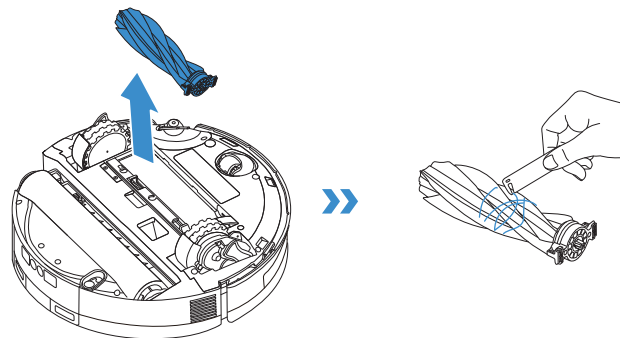
Limpiar el cepillo principal.

1. Retire la tapa del cepillo principal.

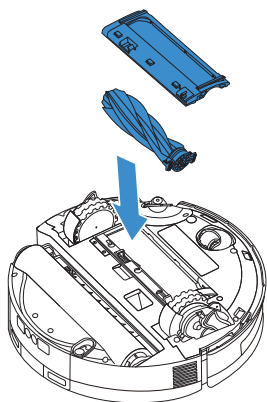
Nota: Antes de dar vuelta a DEEBOT, vacíe los restos de agua de la cubeta de goteo.



2. Retire y limpie el cepillo principal y su compartimento.

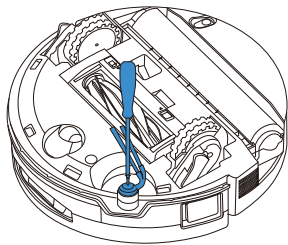


4. Instale el cepillo principal y la tapa.



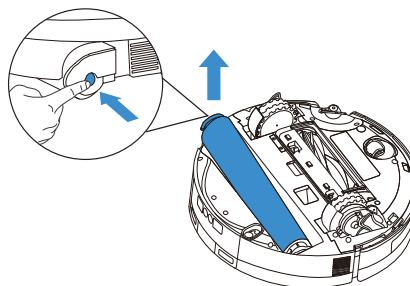
Limpiar el cepillo lateral

Retire el cepillo lateral con un destornillador y límpielo.

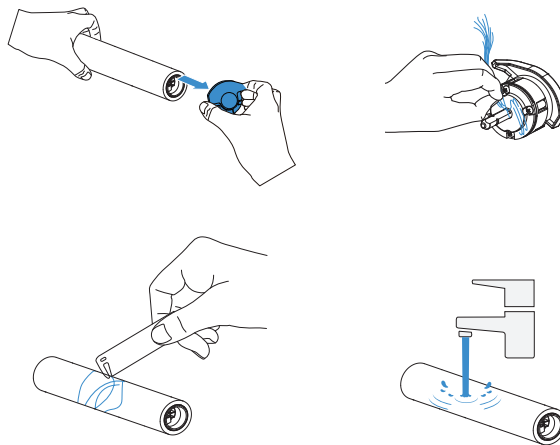


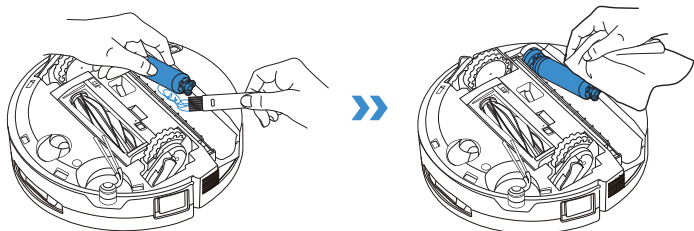
3 Mantenimiento de los componentes del rodillo

1. Presione el botón de liberación del rodillo situado en el costado de la mopa de rodillo, levántela con cuidado y retírela.



2. Retire la tapa del extremo del rodillo, limpie y seque la mopa de rodillo. Limpie el compartimiento del rodillo con un paño húmedo bien escurrido.

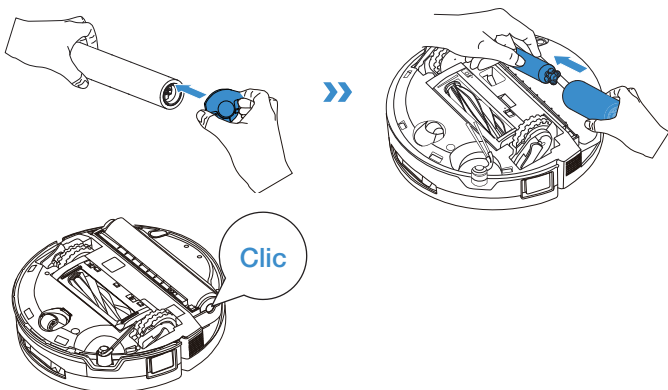




Nota:

- No tire con fuerza de los componentes del motor del rodillo durante la limpieza para evitar daños.
- No enjuague el DEEBOT con agua.

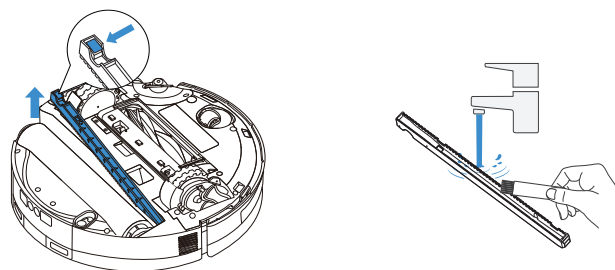
3. Vuelva a montar la cubierta del extremo del rodillo y fije la mopa de rodillo al motor. Una vez colocada la mopa, alinee el botón de liberación del rodillo con la ranura situada en el lateral del compartimento del rodillo y presiónelo. Un sonido de "clic" indica que la mopa está correctamente instalada.



Nota: Explore más accesorios en la aplicación ECOVACS HOME o en <https://www.ecovacs.com>.

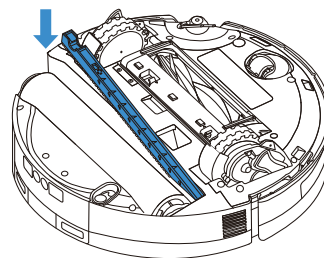
4 Mantener la cubeta de goteo

1. Presione hacia arriba el botón de liberación para retirar la cubeta de goteo, luego límpiela y séquela.



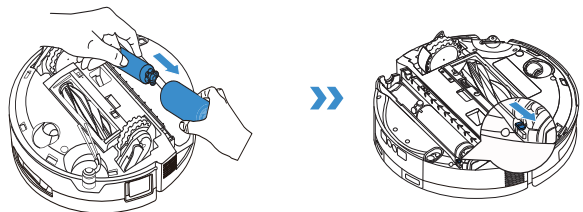
Nota: Es posible que salga una pequeña cantidad de agua residual al voltear el DEEBOT si no está en modo de secado.

2. Vuelva a instalar la cubeta de goteo y presione firmemente hacia abajo hasta que quede bien colocada.

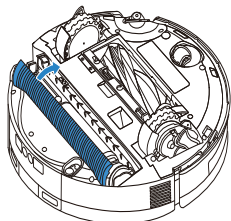


5 Limpieza de la cubierta de rodillo de la mopa

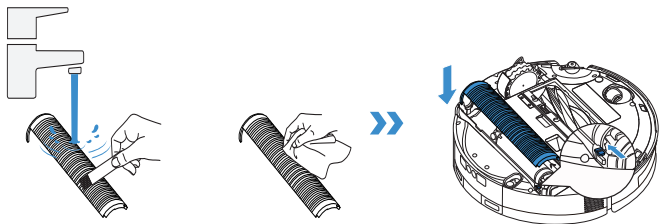
1. Después de retirar la mopa de rodillo, deslice el interruptor de liberación de la cubierta del rodillo hacia la derecha para desbloquearlo.



2. Sujete la cubierta del rodillo de la mopa por la ranura del compartimiento del rodillo, luego gírela suavemente y levántela.

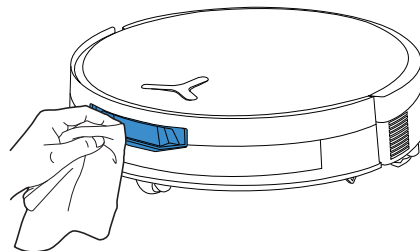


3. Una vez que la cubierta del rodillo de la mopa esté limpia y seca, alinee su eje con la guía situada en el lado izquierdo del compartimiento del rodillo, vuelva a instalarla y bloquee el interruptor de liberación.

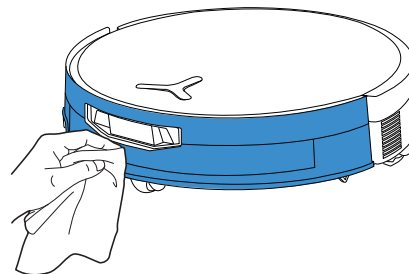


6 Mantener otros componentes

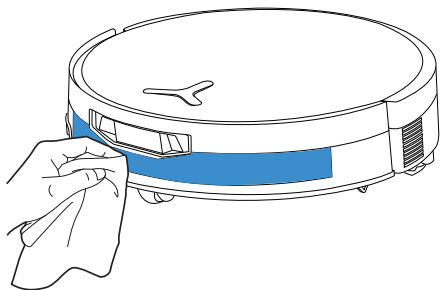
Limpie la lente del módulo de evitar de obstáculos



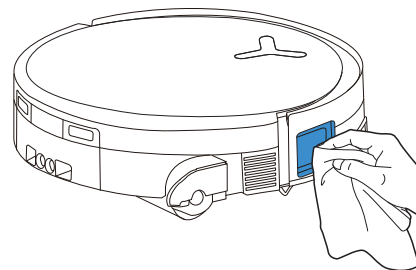
Limpie el parachoques



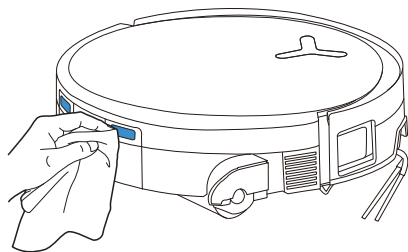
Limpiar el módulo de navegación



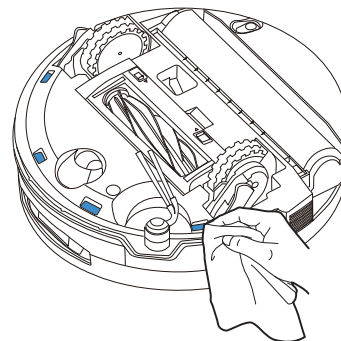
Limpiar el sensor de bordes



Limpiar los contactos de carga



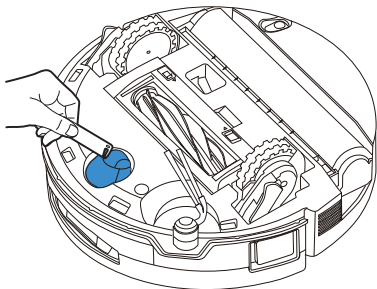
Limpiar los sensores anticaída



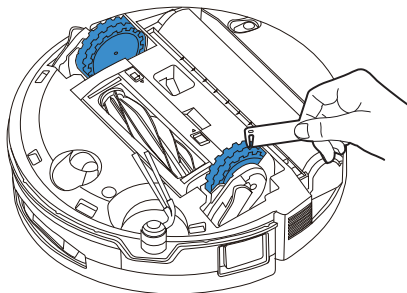
Nota:

- Limpie los componentes con un trapo limpio y seco. Nunca utilice un trapo húmedo. No utilice aerosoles de limpieza ni detergentes, ya que la humedad puede causar daños.
- Los contactos de carga contienen componentes electrónicos sensibles. Límpielos con un paño seco. No utilice un paño húmedo para evitar daños causados por el agua.

Limpiar la rueda universal



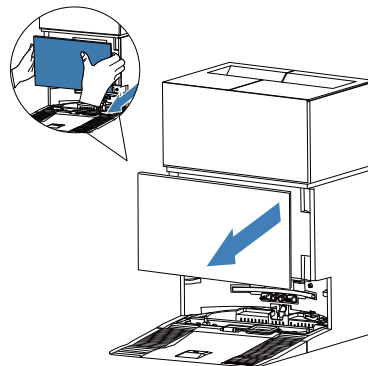
Limpiar las ruedas motrices



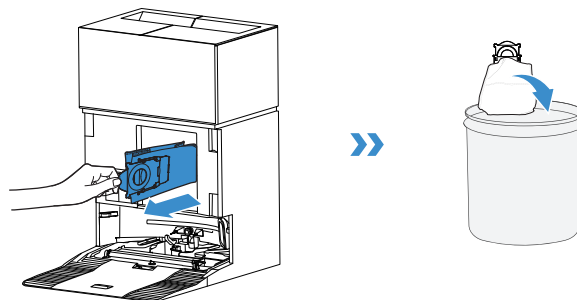
MANTENIMIENTO DE LA ESTACIÓN

1 Mantener el depósito de polvo

1. Retire la tapa del cajón para recoger el polvo.

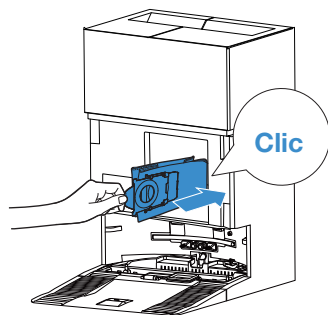


2. Retire la bolsa para polvo desechable en el sentido de la flecha y deséchela.

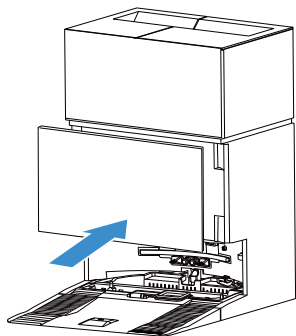


Nota: Sujete el asa para levantar y sacar la bolsa para polvo, lo cual puede evitar eficazmente las fugas de polvo.

3. Limpie el recipiente para polvo con un paño seco y coloque una bolsa para polvo nueva.

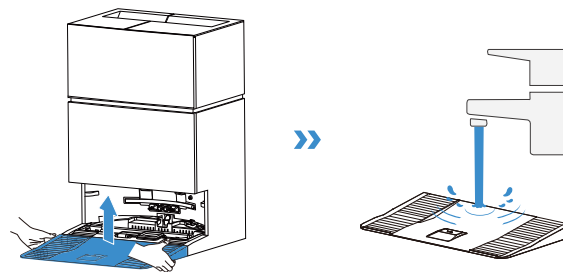


4. Inserte el pestillo superior de la tapa del recipiente para el polvo en la ranura y, a continuación, presione hacia abajo para garantizar un sellado correcto.

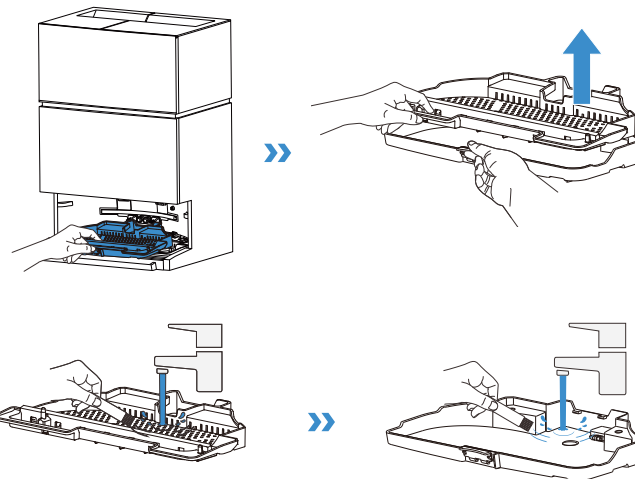


2 Mantenimiento de la cubeta para lavado de la mopa

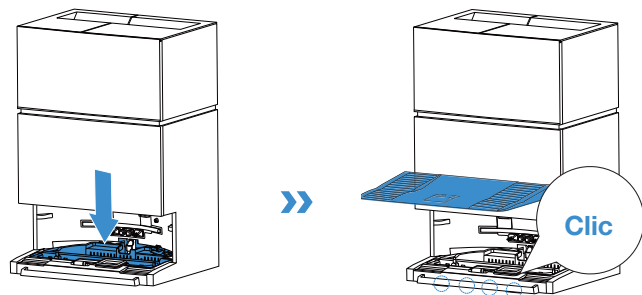
1. Retire y limpie la base de la estación.



2. Retire la cubeta para lavado de la mopa. Presione el pestillo de la cubeta para desmontar el filtro y límpielo.



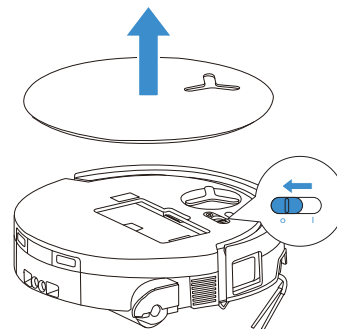
3. Vuelva a instalar el filtro de lavado de la mopa, la cubeta y la base de la estación en el orden correcto. Un sonido de "clic" indica que están bien colocados.



Nota: Monte la cubeta y la base correctamente para evitar una falla de funcionamiento.

4 Almacenamiento

Cargue completamente el DEEBOT y apáguelo antes de guardarlo. Recargue cada mes y medio para evitar que la batería se descargue en exceso.




! Tenga en cuenta que DEEBOT no se puede cargar cuando está apagado.


Nota:

- Una vez que el DEEBOT termina su tarea de limpieza, se recomienda no apagarlo sino mantenerlo cargando para prepararlo para la siguiente sesión de limpieza.
- Si la batería se descarga en exceso o no se utiliza durante mucho tiempo, es posible que el DEEBOT no se cargue. Póngase en contacto con ECOVACS para obtener asistencia. No desensamble la batería usted mismo.
- Si no va a utilizar DEEBOT durante mucho tiempo, utilice la función de reubicación del dispositivo de la aplicación para vaciar el agua limpia del interior de DEEBOT, mantenga vacíos los depósitos de agua de la estación y seque las mopas de rodillo.

RESOLUCIÓN DE PROBLEMAS

Para los siguientes posibles problemas, consulte las soluciones correspondientes.


No.	Falla de funcionamiento	Posible causa	Solución
1	DEEBOT no puede conectarse a la aplicación ECOVACS HOME.	Se introdujo un nombre de usuario o contraseña de Wi-Fi incorrectos.	Introduzca el nombre de usuario y la contraseña Wi-Fi correctos.
		DEEBOT no está dentro del alcance de la señal Wi-Fi de su casa.	Asegúrese de que DEEBOT está dentro del alcance de la señal Wi-Fi de su casa. Intente mantenerse lo más cerca posible del enrutador.
		DEEBOT no está en estado de configuración.	Pulse el botón RESET para conectar DEEBOT a su teléfono por Bluetooth. Si falla, pulse el botón RESET +  y conéctese a través de la aplicación ECOVACS HOME.
		El Wi-Fi de la casa no está en la lista de Wi-Fi.	Compruebe si el nombre del Wi-Fi contiene caracteres especiales. ¡No utilice caracteres especiales como! @#& ¥%^. No utilice una red de 5 GHz.
		Se ha instalado una aplicación incorrecta.	Descargue e instale la aplicación ECOVACS HOME.
2	No se puede crear el mapa de muebles en la aplicación.	Mover el DEEBOT al limpiar puede hacer que se pierda el mapa.	Durante la limpieza, no mueva el DEEBOT.
		La limpieza automática no ha terminado.	Asegúrese de que el DEEBOT vuelve automáticamente a la estación OMNI después de la limpieza.
		El modo de varios pisos no estaba activado al crear el segundo mapa.	Active el modo de varios pisos en la aplicación.
3	El cepillo lateral se sale de su lugar durante el uso.	El cepillo lateral no está bien montado.	Al montar el cepillo lateral con un destornillador, asegúrese de que el tornillo esté bien apretado.
4	No hay señal. No puede volver a la estación.	La estación OMNI está mal colocada.	Coloque la estación correctamente según las instrucciones de la sección [Encendido y carga del DEEBOT] .
		La estación está fuera de servicio o ha sido trasladada.	Compruebe si la estación OMNI está conectada a la red eléctrica. No mueva la estación OMNI.
		DEEBOT no inicia la limpieza desde la estación OMNI.	Se recomienda que DEEBOT inicie la limpieza desde la estación OMNI.
		La ruta de atraque está bloqueada. Por ejemplo, está cerrada la puerta a la habitación en la cual está la estación.	Mantenga despejada la ruta de carga.

No.	Falla de funcionamiento	Posible causa	Solución
5	DEEBOT vuelve a la estación OMNI antes de haber terminado la limpieza.	La habitación es tan grande que DEEBOT necesita volver para recargarse.	Habilite la reanudación automática. Por más detalle, siga las instrucciones de la aplicación.
		Cuando la distribución del hogar es muy compleja la eficacia de la limpieza puede disminuir, lo cual puede dar lugar a una limpieza incompleta.	Simplifique la distribución de su casa.
6	DEEBOT no puede cargar.	DEEBOT no está encendido.	Encienda el DEEBOT.
		Los contactos de carga del DEEBOT no están conectados a los contactos de carga de la estación OMNI.	Asegúrese de que los contactos de carga del DEEBOT se han conectado a los contactos de carga de la estación y que  parpadea. Compruebe si los contactos de carga del DEEBOT y de la estación OMNI están sucios. Limpie estas piezas siguiendo las instrucciones de la sección [MANTENIMIENTO PERIÓDICO] .
		La estación OMNI no está conectada a la red eléctrica.	1. Asegúrese de que la estación OMNI esté conectada a la red eléctrica. 2. Una vez conectada la alimentación, asegúrese de que se oye el sonido de arranque del motor.
		La base no se ha instalado en su sitio.	Consulte en la sección [Inicio rápido] cómo es la instalación correcta.
7	DEEBOT hace mucho ruido durante la limpieza.	El cepillo principal/cepillo lateral/la mopa de rodillo están enredados, o el depósito de polvo está obstruido.	Se recomienda limpiar periódicamente el cepillo principal, el cepillo lateral, el depósito de polvo, la mopa de rodillo, etc.
		DEEBOT está en modo de aspiración fuerte o en modo de máxima potencia de aspiración.	Cambie al modo estándar o silencioso. El modo silencioso puede reducir el rendimiento de la limpieza.
8	DEEBOT se atasca mientras trabaja y se para.	DEEBOT se enreda con objetos en el suelo (cables eléctricos, cortinas, flecos de alfombra, etc.).	DEEBOT intentará liberarse de varias maneras. Si sus intentos fallan, quite manualmente los obstáculos y reinicie.
		DEEBOT podría quedar atrapado debajo de un mueble con una entrada de altura similar.	Levante el mobiliario, establezca una barrera física o fije un límite virtual a través de la aplicación ECOVACS HOME.
		DEEBOT está atascado en una zona estrecha.	Ordene la casa, establezca una barrera física o fije un límite virtual a través de la aplicación ECOVACS HOME.

No.	Falla de funcionamiento	Posible causa	Solución
9	Durante la limpieza, DEEBOT puede encontrarse con problemas como un recorrido desordenado, movimientos sesgados, limpieza repetida sobre los mismos puntos y omisión de pequeñas zonas.	Una gran superficie no se ha limpiado, posiblemente porque estaba bloqueada.	Asegúrese de que la puerta esté abierta y retire cualquier obstáculo potencial, como zapatillas y cables esparcidos. DEEBOT realizará una limpieza adicional antes de que finalice la sesión de limpieza.
		Las ruedas motrices pueden resbalar sobre el piso cuando el DEEBOT trepa escalones, umbrales y barrotes de puertas, lo que puede afectar su percepción de todo el entorno del hogar.	Cierre la puerta de la habitación o establezca un límite virtual en la aplicación. A continuación puede llevar el DEEBOT a la habitación para limpiarla por separado.
		En pisos recién encerados o pulidos, así como en baldosas lisas, puede haber menos fricción entre las ruedas motrices y el piso.	Espere a que la cera se seque antes de limpiarlo.
10	Después de volver a la estación OMNI, el DEEBOT no vacía su depósito de polvo.	La función de vaciado automático no se ha activado en la aplicación.	Active la función de vaciado automático en la aplicación.
		Si el DEEBOT se desplaza manualmente de regreso a la estación, no se activará la función de vaciado automático.	Se recomienda dejar que DEEBOT regrese por sí mismo a la estación OMNI. No lo mueva manualmente.
		En modo No molestar, DEEBOT no vaciará el polvo después de volver a la estación OMNI.	Desactive la función No molestar en la aplicación o inicie manualmente el vaciado de polvo.
		La estación detecta una disminución de la eficiencia de vaciado.	Sustituya la bolsa para polvo de acuerdo con la sección [MANTENIMIENTO PERIÓDICO] y cierre el cajón para recoger el polvo. Si la bolsa para polvo no está llena cuando se lo pide la aplicación, puede volver a colocarla.
		Compruebe si el depósito de polvo está lleno, causando un atasco.	Limpie el depósito de polvo de acuerdo con la sección [MANTENIMIENTO PERIÓDICO] .
		Si se han descartado las posibles causas anteriores, es posible que los componentes de la estación estén averiados.	Póngase en contacto con el servicio de atención al cliente para obtener asistencia.



No.	Falla de funcionamiento	Posible causa	Solución
11	Vaciado automático fallido.	La estación detecta una disminución de la eficiencia de vaciado.	Sustituya la bolsa para polvo de acuerdo con las instrucciones [MANTENIMIENTO PERIÓDICO] y cierre bien la puerta del cajón para recoger el polvo. Si aparece el aviso de sustitución pero la bolsa no está llena, retírela, vuelva a insertarla y fije correctamente el cajón.
		La salida del depósito de polvo está bloqueada por objetos extraños.	Retire el depósito de polvo y limpie los objetos extraños en la salida.
12	La parte interior del cajón para recoger el polvo está sucia.	Las partículas finas atraviesan la bolsa para polvo y se acumulan en el interior del cajón para recoger el polvo.	Limpie la parte interior del cajón para recoger el polvo.
		La bolsa para polvo está rota.	Revise y sustituya la bolsa para polvo.
		La bolsa para polvo no está correctamente colocada.	Coloque la bolsa para polvo correctamente.
		La tapa del recipiente para el polvo no está cerrada.	Compruebe que la tapa del recipiente para el polvo esté bien cerrada.
13	Se producen fugas de polvo durante el funcionamiento del DEEBOT.	La salida del depósito de polvo está bloqueada por objetos extraños.	Retire el depósito de polvo y limpie los objetos extraños en la salida.
14	La mopa de rodillo no gira.	La mopa de rodillo no está correctamente colocada.	Coloque la mopa de rodillo correctamente de acuerdo con la sección [MANTENIMIENTO PERIÓDICO] .
		La mopa de rodillo está bloqueada por objetos extraños.	Limpie y coloque la mopa de rodillo correctamente de acuerdo con la sección [MANTENIMIENTO PERIÓDICO] .
15	La rueda motriz está atascada.	La rueda motriz está enredada o atascada por objetos extraños.	Gire y presione la rueda motriz para comprobar que no esté enrollada ni obstruida por objetos extraños. Si encuentra algún objeto extraño, límpielo inmediatamente. Si el problema persiste, póngase en contacto con el servicio de atención al cliente para pedir asistencia.

No.	Falla de funcionamiento	Posible causa	Solución
16	La cubeta para lavado de la mopa está llena de agua y no se puede vaciar. Un aviso de voz informa que hay una falla de funcionamiento de la cubeta para lavado de la mopa.	El depósito de agua sucia no está correctamente colocado.	Golpee hacia abajo el depósito de agua sucia para asegurarse de que esté bien colocado.
		Los tapones de cierre del depósito de agua sucia no están correctamente colocados.	Asegúrese de que los dos tapones de cierre estén correctamente colocados.
		La cubeta para lavado de la mopa no está correctamente colocada.	Compruebe y asegúrese de que la cubeta para lavado de la mopa esté correctamente montada.
		Compruebe si la bola flotante se atasca cuando no hay agua en la base de la cubeta para lavado de la mopa.	Saque la cubeta para lavado de la mopa para volver a colocar la bola flotante.
		La estación OMNI no puede drenar el agua normalmente.	Coloque el DEEBOT en la estación. Tras asegurarse de que se está cargando, toque dos veces rápidamente  . Si el problema persiste, póngase en contacto con el servicio de atención al cliente para pedir asistencia.
		La lumbrera de aspiración de la cubeta para lavado de la mopa está obstruida por objetos extraños o por suciedad.	Limpie la cubeta para lavado de la mopa y su filtro, y asegúrese de que no hayan objetos extraños en la entrada.
		La alerta de voz persiste después de probar todas las soluciones anteriores.	Apague y encienda la estación. Si el problema persiste, póngase en contacto con el servicio de atención al cliente para pedir asistencia.

Póngase en contacto con nuestro servicio de atención al cliente para obtener asistencia si el problema persiste a pesar de las soluciones recomendadas.



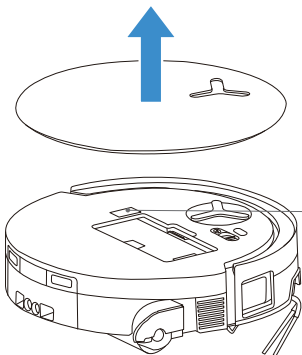
ESPECIFICACIONES TÉCNICAS

Modelo	DEX35		
Entrada nominal	17,8 V === 2 A	Entrada de carga rápida	16,4 V === 10,5 A
Tiempo de carga	aproximadamente 4,5 h		
Modelo de estación	CH2542		
Entrada nominal	110-120 V ~ 50-60 Hz		
Salida de carga nominal	17,8 V === 2 A	Salida de carga rápida (corta duración)	16,4 V === 10,5 A
Corriente nominal de entrada (carga)	3 A	Potencia (Vaciado)	4,5 A
Potencia (mopa de lavado con agua caliente)	4 A		

La potencia de salida del módulo inalámbrico es inferior a 100 mW.

Nota: Las especificaciones técnicas y de diseño pueden ser modificadas para mejorar continuamente el producto.

Explore más accesorios en <https://www.ecovacs.com>.



Utilice la cámara del móvil para escanear el código QR y obtener la guía del usuario.

Ecovacs Home Service Robotics Co., Ltd.
No.518 Songwei Road, Wusongjiang Industry Park, Guoxiang Street,
Wuzhong District, Suzhou, Jiangsu, China.

451-2550-0405

