



ITM. / ART. 919309, 2582830, 49255024
MODEL / MODÈLE / MODELO: PB1100PSC2
PART / PIÈCE / PARTE: 10738, 10747

PRO SERIES

WOOD PELLET & GAS COMBO GRILL

IMPORTANT, READ CAREFULLY, RETAIN FOR FUTURE REFERENCE. MANUAL MUST BE READ BEFORE OPERATING!

BARBECUE À GRANULÉS DE BOIS ET À GAZ

IMPORTANT, PRENEZ CONNAISSANCE DE CE DOCUMENT ET CONSERVEZ-LE POUR RÉFÉRENCE ULTÉRIEURE VOUS DEVEZ LIRE CE GUIDE AVANT D'UTILISER LE BARBECUE !

UNIDAD COMBINADA DE GRÁNULOS DE MADERA Y GAS

IMPORTANTE, LEA DETENIDAMENTE, CONSERVE PARA REFERENCIA FUTURA. ¡DEBE LEER EL MANUAL ANTES DE LA OPERACIÓN!



PB1100PSC2

82-260°C / 180-500°F

WARNING: PLEASE READ THE ENTIRE MANUAL BEFORE INSTALLATION AND USE OF THIS ELECTRIC, PELLET FUEL-BURNING APPLIANCE. FAILURE TO FOLLOW THESE INSTRUCTIONS COULD RESULT IN PROPERTY DAMAGE, BODILY INJURY OR EVEN DEATH. CONTACT LOCAL BUILDING OR FIRE OFFICIALS ABOUT RESTRICTIONS AND INSTALLATION INSPECTION REQUIREMENTS IN YOUR AREA.

AVERTISSEMENT: VEUILLEZ LIRE L'INTÉGRALITÉ DU MANUEL AVANT L'INSTALLATION ET L'UTILISATION DE CET APPAREIL ÉLECTRONIQUE À GRANULÉS. LE NON-RESPECT DE CES INSTRUCTIONS PEUT ENTRAÎNER DES DOMMAGES AUX BIENS, DES BLESSURES OU MÊME LA MORT. COMMUNIQUEZ AVEC LES AUTORITÉS LOCALES EN MATIÈRE D'INCENDIE ET DE BÂTIMENT CONCERNANT LES RESTRICTIONS ET LES EXIGENCES D'INSTALLATION DANS VOTRE RÉGION.

ADVERTENCI: LEA EL MANUAL COMPLETO ANTES DE INSTALAR Y UTILIZAR ESTE APARATO ELÉCTRICO PARA QUEMAR PELLETS DE COMBUSTIBLE. INCUMPLIR ESTAS INSTRUCCIONES PODRÍA CAUSAR DAÑOS MATERIALES, LESIONES CORPORALES, E INCLUSO LA MUERTE. CONSULTE A SUS FUNCIONARIOS LOCALES DE CONSTRUCCIÓN Y CONTROL DE INCENDIOS PARA INFORMARSE SOBRE LAS RESTRICCIONES Y LOS REQUISITOS DE INSPECCIÓN DE INSTALACIONES EN SU REGIÓN.

ASSEMBLY AND OPERATION ASSEMBLAGE ET FONCTIONNEMENT MONTAJE Y OPERACIÓN



FOR OUTDOOR AND HOUSEHOLD USE ONLY. NOT FOR COMMERCIAL USE.
RESERVE À L'USAGE EXTÉRIEUR ET RÉSIDENTIEL UNIQUEMENT. NON DESTINÉ À UN USAGE COMMERCIAL.
SOLO PARA USO EN EXTERIORES Y EN EL HOGAR. NO ES PARA USO COMERCIAL.

SAFETY INFORMATION

MAJOR CAUSES OF APPLIANCE FIRES ARE A RESULT OF POOR MAINTENANCE AND A FAILURE TO MAINTAIN REQUIRED CLEARANCE TO COMBUSTIBLE MATERIALS. IT IS OF UTMOST IMPORTANCE THAT THIS PRODUCT BE USED ONLY IN ACCORDANCE WITH THE FOLLOWING INSTRUCTIONS.

Please read and understand this entire manual before attempting to assemble, operate or install the product. This will ensure you receive the most enjoyable and trouble-free operation of your new wood pellet grill. We also advise you retain this manual for future reference.

DANGERS AND WARNINGS

<p> DANGER</p> <p>If you smell gas:</p> <ul style="list-style-type: none">• Shut off gas to the appliance.• Extinguish any open flame.• Open lid.• If odor continues, keep away from the appliance and immediately call your gas supplier or your fire department.	<p> WARNING</p> <ul style="list-style-type: none">• Do not store or use gasoline or other flammable liquids or vapors in the vicinity of this or any other appliance.• An LP cylinder not connected for use shall not be stored in the vicinity of this or any other appliance.	<p>GRILL INSTALLATION CODES</p> <ul style="list-style-type: none">• The installation must conform with local codes or, in the absence of local codes, with either the national fuel gas code, ANSI Z 223.1/NFPA 54, Natural gas and propane installation code, CSA B149.1, or propane storage and handling code, B149.2.• LP gas grill models are designed for use with a standard 20 lb. Liquid Propane Gas tank, not included with grill. Never connect your gas grill to an LP gas tank that exceeds this capacity.
---	--	--

You must contact your local home association, building or fire officials, or authority having jurisdiction, to obtain the necessary permits, mission or information on any installation restrictions, such as any grill being installed on a combustible surface, inspection requirements or even ability to use, in your area.

1. A minimum clearance of 914mm (36 inches) from combustible constructions to the sides of the grill, and 914mm (36 inches) from the back of the grill to combustible constructions must be maintained. **Do not install appliance on combustible floors, or floors protected with combustible surfaces unless proper permits and permissions are obtained by authorities having jurisdiction.** Do not use this appliance indoors, in an enclosed or unventilated area, inside homes, vehicles, tents, garages. This appliance must not be placed under overhead combustible ceiling or overhang. Keep your grill in an area clear and free from combustible materials, gasoline and other flammable vapors and liquids.

Should a grease fire occur, turn the grill OFF and leave the lid closed until the fire is out. Unplug the power cord. Do not throw water on the unit. Do not try to smother the fire. Use of an all-class (class ABC) approved fire extinguisher is valuable to keep on site. If an uncontrolled fire does occur, call the Fire Department.

2. Keep electrical supply cords and the fuel away from heated surfaces. Remove pots and pans while the operating appliance is unattended, to reduce the risk of fire. Do not use your grill in the rain or around any water source.



3. After a period of storage, or non-use, check the burn grate for obstructions, the hopper for foreign objects, and any air blockage around the fan intake or chimney. Clean before use. Regular care and maintenance is required to prolong the lifespan of your unit. **If the grill is stored outside during the rainy season or seasons of high humidity, care should be taken to insure that water does not get into the hopper.** When wet or exposed to high humidity, wood pellets will expand greatly, decompose, and may jam the feed system. Always disconnect the power, before performing any service or maintenance.

Do not transport your grill while in use or while the grill is hot. Ensure the fire is completely out and that the grill is completely cool to the touch before moving.

4. It is recommended to use heat-resistant barbecue mitts or gloves when operating the grill. Do not use accessories not specified for use with this appliance. Do not put a barbecue cover or anything flammable in the storage space area under the barbecue.
5. To prevent fingers, clothing or other objects from coming in contact with the auger feed system, the appliance is equipped with a metal safety screen, mounted to the interior of the hopper. This screen must not be removed unless directed by Customer Service or an authorized dealer.

This appliance is not recommended for children, persons with reduced physical, sensory or mental capabilities, or lack of experience and knowledge, unless they are under direct supervision or instruction by a person responsible for their safety.

6. Parts of the barbecue may be very hot, and serious injury may occur. Keep young children and pets away while in use.
7. Do not enlarge igniter holes or fire pots. Failure to follow this warning could lead to a fire hazard and bodily harm and will void your warranty.
8. Product may have sharp edges or points. Contact may result in injury. Handle with care.
9. The liquefied petroleum (LP) cylinder must be constructed and marked in accordance with the specifications for LP Gas Cylinders of the U.S. Department of Transportation (D.O.T.) or the National Standard of Canada, CAN/CSA-B339, Cylinders, Spheres and Tubes for Transportation of Dangerous Goods; and Commission.
10. The LP gas tank must have a shutoff valve, terminating in an LP gas supply tank valve outlet, that is compatible with a Type 1 tank connection device. The LP gas tank must also have a safety relief device that has a direct connection with the vapor space of the tank.
11. The tank supply system must be arranged for vapor withdraw.
12. The LP gas tank used must have a collar to protect the tank valve
13. This outdoor grill is not intended for installation in/on recreation vehicles or boats.

Never use this appliance in an enclosed space, such as a camper, tent, car, boat or home. This appliance is not intended for and should never be used as a heater.

14. Do not obstruct the flow of combustion and ventilation air to this appliance. Keep the burner tube and portholes clean and free from debris. Clean before use. Regular care and maintenance is required to prolong the lifespan of your unit.
15. Always check for gas leaks when you connect and disconnect the regulator to the gas cylinder, especially after a period of storage (for example, over winter). Check all connections for leaks with a soapy water solution and brush. Never use an open flame to check for leaks.
16. Clean and inspect the gas regulator before each use of the outdoor cooking gas appliance. Replace the gas regulator prior to being used if there is evidence of excessive abrasion or wear. Use only the gas regulator assembly that has been supplied with this gas grill. Do not use a regulator from another manufacturer.

Do not use lava rock, wood chunks, charcoal, lighter fluid, alcohol or other similar chemicals for lighting or relighting. Keep all such substances and liquids well away from appliance when in use.

17. Operate this appliance using liquefied petroleum only, which is also specified on the rating label on the unit. Do not attempt to operate your grill on other gases. Do not attempt to convert this LP unit to natural gas. Failure to follow this warning could lead to fire, bodily harm, and will void your warranty.

DISPOSAL OF ASHES

Ashes should be placed in a metal container with a tight-fitting lid. The closed container of ashes should be placed on a non-combustible floor or on the ground, well away from all combustible materials, pending final disposal. When ashes are disposed by burial in soil, or otherwise locally dispersed, they should be retained in a closed container until all cinders have thoroughly cooled.

WOOD PELLET FUEL

This pellet cooking appliance is designed and approved for pelletized, all natural, wood fuel only. Any other type of fuel burned in this appliance will void the warranty and safety listing. You must only use all natural wood pellets, designed for burning in pellet barbecue grills. Do not use fuel with additives. The pellet fuel mean heating value in 8,000 - 8,770 BTU/LB, ash content < 1%.

Do not use spirit, petrol, gasoline, lighter-fluid or kerosene for lighting or refreshing a fire in your grill. Keep all such liquids well away from the appliance when in use.

At the time of printing, there is no industry standard for barbecue wood pellets, although most pellet mills use the same standards to make wood pellets for domestic use. Further information, can be found at www.pelletheat.org or the *Pellet Fuel Institute*.

Contact your local dealer on the quality of pellets in your area, and for information on brand quality. As there is no control over the quality of pellets used, moisture affected pellets, we assume no responsibility to damage caused by poor quality of fuel.

CREOSOTE

Creosote, or soot, is a tar-like substance. When burning, it produces black smoke with a residue which is also black in color. Soot or creosote is formed when the appliance is operated incorrectly, such as: blockage of the combustion fan, failure to clean and maintain the burn area, or poor air-to-fuel combustion.

It is dangerous to operate this appliance should the flame become dark, sooty, or if the fire pot is overfilled with pellets. When ignited, this creosote makes an extremely hot and uncontrolled fire, similar to a grease fire. Should this happen, turn the unit OFF, let it cool completely, then inspect for maintenance and cleaning. It commonly accumulates along exhaust areas.

If creosote has formed within the unit; allow the unit to warm up at a low temperature, turn off the appliance, then wipe away any formation with a hand towel. Similar to tar, it is much easier to clean when warm, as it becomes liquid.

PROPANE GAS WARNINGS

1. Ensure the gas cylinder is purchased by a reputable supplier. An incorrectly filled or an overfilled LP tank can be dangerous. The overfilled condition combined with the warming of the LP gas tank (a hot summer day, tank left in the sun, etc.) can cause LP gas to be released since the temperature increase causes gas to expand. Gas released from the cylinder is flammable and can be explosive.
2. Do not use an LP gas cylinder if it has a damaged valve or shows signs of dents, gouges, bulges, fire damage, corrosion, leakage, excessive rust, or other forms of visual external damage; it may be hazardous and should be checked immediately by a liquid propane supplier.

If you see, smell, or hear the hiss of gas escaping from the cylinder, do not attempt to light appliance. Extinguish any open flame. Disconnect from fuel supply.

3. Do not connect or disconnect the gas cylinder while the unit is in use or is still hot. When outdoor cooking gas appliance is not in use, ensure the gas cylinder is turned to OFF, and disconnect the gas cylinder. Never move or transport the unit while the gas cylinder is attached. Do not store a spare LP gas cylinder under or near the appliance.

CARBON MONOXIDE ("THE SILENT KILLER")

Carbon monoxide is a colorless, odorless, tasteless gas produced by burning gas, wood, propane, charcoal or other fuel. Carbon monoxide reduces the blood's ability to carry oxygen. Low blood oxygen levels can result in headaches, dizziness, weakness, nausea, vomiting, sleepiness, confusion, loss of consciousness or death. Follow these guidelines to prevent this colorless, odorless gas from poisoning you, your family, or others:

- See a doctor if you or others develop cold or flu-like symptoms while cooking or in the vicinity of the appliance. Carbon monoxide poisoning, which can easily be mistaken for a cold or flu, is often detected too late.
- Alcohol consumption and drug use increase the effects of carbon monoxide poisoning.

Carbon monoxide is especially toxic to mother and child during pregnancy, infants, the elderly, smokers, and people with blood or circulatory system problems, such as anemia, or heart disease.

SAFETY LISTING

In accordance with the procedures and specifications listed in the UL 2728A-2019 "pellet fuel cooking appliances" and ULC/ORD C2728-19 "for electrical features of fuel burning equipment." Pit Boss® Grills pellet cooking appliances have been independently tested and listed by CSA (an accredited testing laboratory) to UL and ULC standards.



Conforms to ANSI Z21.58-2018 / CSA 1.6-2018 Outdoor Cooking Gas Appliances.

FCC COMPLIANCE STATEMENT

This equipment complies with FCC radiation exposure limits set forth for an uncontrolled environment. This equipment should be installed and operated with a minimum distance of 20cm between the radiator and your body. This transmitter must not be co-located or operating in conjunction with any other antenna or transmitter. This device complies with Part 15 of FCC Rules. Operation is subject to the following two conditions: (1) This device may not cause harmful interference, and (2) This device must accept any interference received, including interference that may cause undesired operation.



This equipment has been tested and found to comply with the limits for a Class B digital device, pursuant to part 15 of FCC Rules. These limits are designed to provide reasonable protection against harmful interference in a residential installation. This equipment generates, uses, and can radiate radio frequency energy and, if not installed and used in accordance with the instructions, may cause harmful interference to radio communications. However, there is no guarantee that interference will not occur in a particular installation. If this equipment does cause harmful interference to radio or television reception, which can be determined by turning the equipment off and on, the user is encouraged to try to correct the interference by one or more of the following measures:

- Reorient or relocate the receiving antenna.
- Increase the separation between the equipment and receiver.
- Connect the equipment into an outlet on a circuit different from that to which the receiver is connected.
- Consult the dealer or an experienced radio/TV technician for help.

Caution: The user is cautioned that changes or modifications not expressly approved by the party responsible for compliance could void the user's authority to operate the equipment.

The Bluetooth® word mark and logo are registered trademarks owned by Bluetooth SIG, Inc. and any use of such marks by Espressif is under license. Other trademarks and tradenames are those of their respective owners.





COPYRIGHT NOTICE

Copyright 2020. All right reserved. No part of this manual may be copied, transmitted, transcribed, stored in a retrieval system, in any form or by any means without expressed written permission of,

Dansons

3411 North 5th Avenue, Suite 500, Phoenix, AZ, USA 85013

sales@pitboss-grills.com | service@pitboss-grills.com

www.pitboss-grills.com

Customer Service

Monday through Sunday, 4am - 8pm PST (EN/FR/ES)

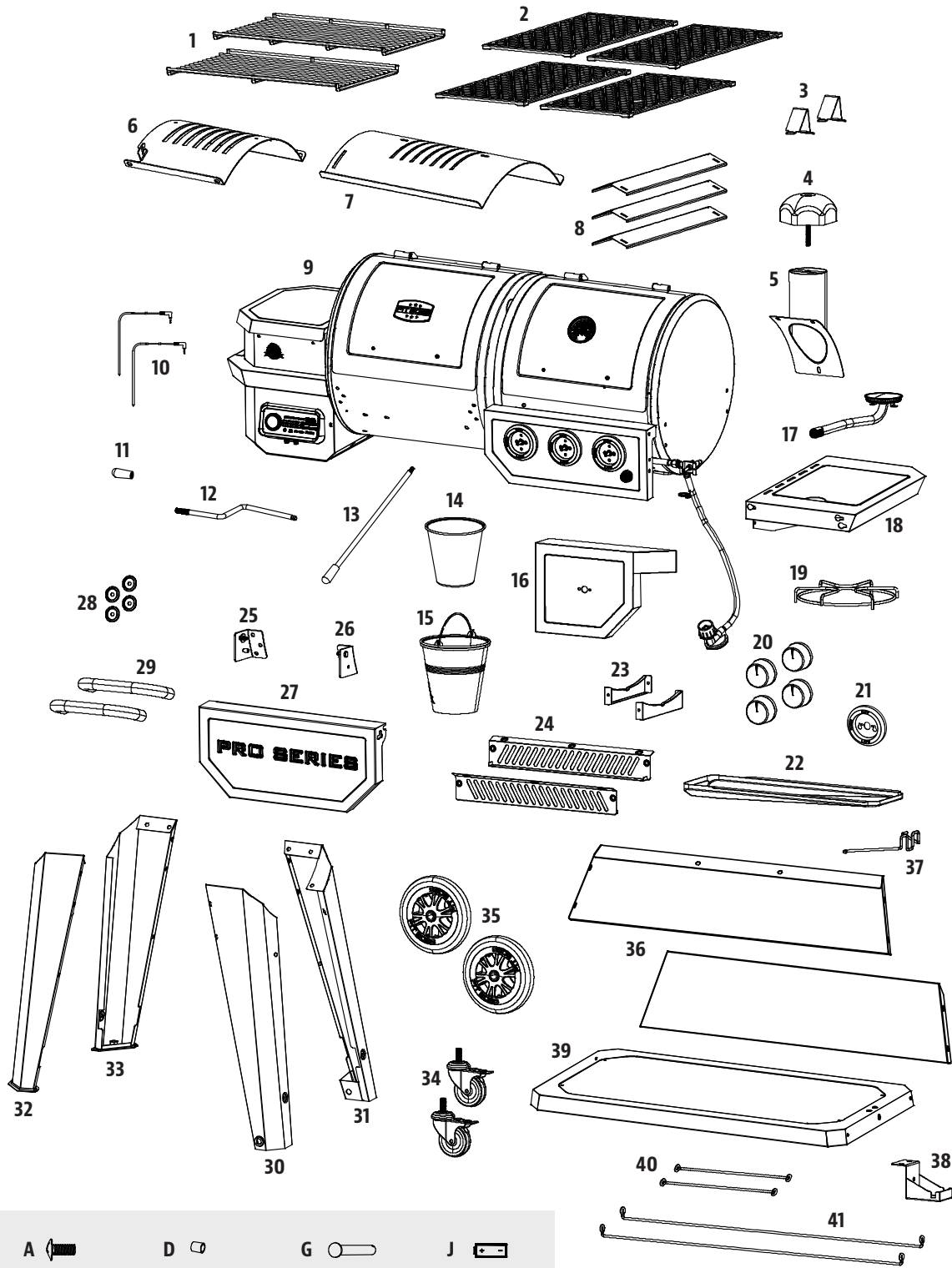
Toll-Free: 1-877-303-3134, Fax: 1-877-303-3135

TABLE OF CONTENTS

Safety Information	2	Wood Pellet Operating Instructions	
Parts & Specs.....	8	Grill Environment	22
Assembly Preparation.....	10	Grill Temperature Ranges.....	23
Assembly Instructions		Understanding The Control Board	24
Assembling The Grease Tray Support	10	Control Board Functions.....	26
Mounting The Grease Tray To Main Barrel	10	Connecting To The Smoke iT® App	28
Mounting The Legs To Main Barrel	11	Hopper Priming Procedure	28
Installing The Bottom Shelf.....	11	First Use – Grill Burn-Off.....	29
Securing The Cart Front/Back Panels.....	11	Automatic Start-Up Procedure.....	29
Connecting The Wheels To The Cart	12	Shutting Off Your Grill.....	29
Connecting The Caster Wheels To The Cart.....	12	Smoke Operating Instructions.....	29
Securing The Lid Stoppers.....	12	Propane Gas Operating Instructions	
Securing The Chimney.....	13	Grill Environment	30
Installing The Lid Handles	13	First Use – Grill Burn-Off.....	30
Securing The Cart Bars	13	Automatic Start-Up Procedure.....	30
Attaching The Cylinder Wire Retainer	14	Manual Start-Up Procedure.....	31
Installing The Cylinder Support Bracket	14	First Use – Operating Burners.....	31
Securing The Front Shelf Brackets.....	14	Lighting	31
Installing The Front Shelf	14	Shutting Off Your Grill.....	32
Assembling The Side Burner Shelf.....	15	Controlling Flare-Ups	32
Mounting The Side Burner Shelf	15	Minimize Flare-Ups.....	32
Installing The Side Burner Valve	15	Care & Maintenance	33
Mounting The Burner Knobs	15	Using Wood Pellet Fuel.....	34
Securing The Side Burner.....	16	Cooking Guidelines	35
Placing The Side Burner Grate.....	16	Tips & Techniques	37
Inserting The Igniter Wire	16	Troubleshooting	38
Attaching The Hose Retainer.....	16	Electrical Wire Diagram	41
Installing The Flame Broiler Components.....	17	Replacement Parts	
Installing The Cooking Components.....	18	Grill Replacement Parts	42
Placing The Grease Bucket, Grease Tray.....	18	Hopper Replacement Parts.....	44
Installing The Battery.....	19	Warranty	
Connecting To A Power Source.....	19	Conditions.....	44
Connecting To A Gas Supply		Exceptions.....	45
Gas Cylinder Requirements.....	20	Ordering Replacement Parts	45
Installing A Gas Cylinder	20	Contact Customer Service	45
Preparation For Use – Leak Testing.....	20	Warranty Service	45
Disconnecting A Gas Cylinder.....	21	Recipes	46

PARTS & SPECS

ENGLISH



A		D		G		J	
B		E		H			
C		F		I			



PARTS & SPECS

Part#	Description
1	Porcelain-Coated Steel Upper Cooking Rack (x2)
2	Porcelain-Coated Cast-Iron Cooking Grid (x4)
3	Lid Stopper (x2)
4	Chimney Cap (x1)
5	Chimney Stack (x1)
6	Flame Broiler Slider (x1)
7	Flame Broiler Main Plate (x1)
8	Heat Tent (x3)
9	Main Barrel / Hopper Assembly (x1)
10	Meat Probe (x2)
11	Flame Broiler Adjusting Bar Handle (x1)
12	Flame Broiler Adjusting Bar (x1)
13	Smoke Adjusting Bar (x1)
14	Grease Bucket Liner (x1)
15	Grease Bucket (x1)
16	Side Burner Panel (x1)
17	Side Burner (x1)
18	Side Burner Shelf (x1)
19	Side Burner Grate (x1)
20	Burner Knob (x4)
21	Burner Knob Bezel (x1)
22	Grease Tray (x1)
23	Grease Tray Support A (x2)
24	Grease Tray Support B (x2)
25	Front Shelf Bracket /Left (x1)
26	Front Shelf Bracket /Right (x1)
27	Front Shelf (x1)
28	Lid Handle Bezel (x4)
29	Lid Handle (x2)
30	Support Leg / Front (x1)
31	Support Leg / Back (x1)
32	Support Leg for Caster / Front (x1)
33	Support Leg for Caster / Back (x1)
34	Locking Caster (x2)
35	Wheel (x2)
36	Cart Front / Back Panel (x2)

Part#	Description
37	LP Gas Cylinder Wire Retainer (x1)
38	LP Gas Cylinder Support Bracket (x1)
39	Cart Bottom Shelf (x1)
40	Cart Bar A (x2)
41	Cart Bar B (x2)
A	Screw (x58)
B	Washer (x51)
C	Locking Washer (x49)
D	Bushing (x2)
E	Wheel Cotter Pin (x2)
F	Wheel Washer (x2)
G	Wheel Axle Pin (x2)
H	Screw (x2)
I	Nut (x5)
J	AA Battery (x1)

NOTE: Due to ongoing product development, parts are subject to change without notice. Contact Customer Service if parts are missing when assembling the unit.

PB – ELECTRIC REQUIREMENTS
110-120V, 60HZ, 250W, 3-PRONG GROUNDED PLUG

MODEL	ASSEMBLED	WEIGHT	COOKING AREA		TEMPERATURE RANGE
PB PB1100PSC2	1,725 X 815 X 1,282 MM / 67.91 X 32.09 X 50.47 IN.	104.5 KG / 230.38 LB	MAIN - 2,580.6 CM ² / 400 SQ. IN.	MAIN - 2,580.6 CM ² / 400 SQ. IN.	82-260°C / 180-500°F
			UPPER - 1,489 CM ² / 230.8 SQ. IN.	UPPER - 1,489 CM ² / 230.8 SQ. IN.	
			TOTAL GRILL - 8,139.2 CM² / 1,261.6 SQ. IN.		



ASSEMBLY PREPARATION

Parts are located throughout the shipping carton, including underneath the grill. Inspect the grill, parts, and hardware blister pack after removing from the protective shipping carton. Discard all packaging materials from inside and outside of the grill before assembly, then review and inspect all parts by referencing the parts list. If any part is missing or damaged, do not attempt to assemble. Shipping damage is not covered under warranty. Contact your dealer or Pit Boss® Customer Service for parts: Monday through Sunday, 4am - 8pm PST (EN/FR/ES).

service@pitboss-grills.com | Toll-Free: 1-877-303-3134 | Toll-Free Fax: 1-877-303-3135

IMPORTANT: To ease installation and avoid injury, use two people when assembling this appliance.

Tools required for assembly: screwdriver, wrench and level. *Tools not included.*

ENGLISH

ASSEMBLY INSTRUCTIONS

IMPORTANT: It is advised to read each step entirely before starting assembly on instructions. Do not tighten screws completely until all screws for that step have been installed. Hardware combination involving a locking washer and washer should be installed with the locking washer closest to the head of the screw.

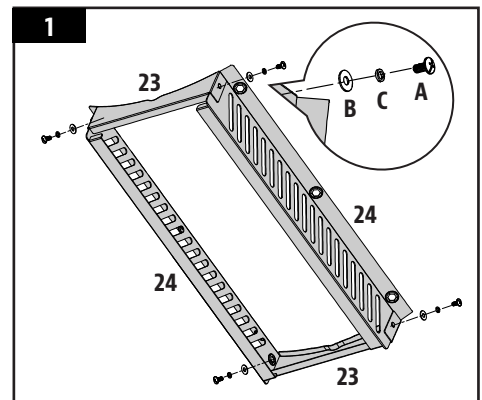
1. ASSEMBLE THE GREASE TRAY SUPPORT

Parts Required:

- 2 x Grease Tray Support A (#23)
- 2 x Grease Tray Support B (#24)
- 4 x Screw (#A)
- 4 x Locking Washer (#C)
- 4 x Washer (#B)

Installation:

- Mount Grease Tray Support A to Grease Tray Support B using four screws, locking washers and washers.



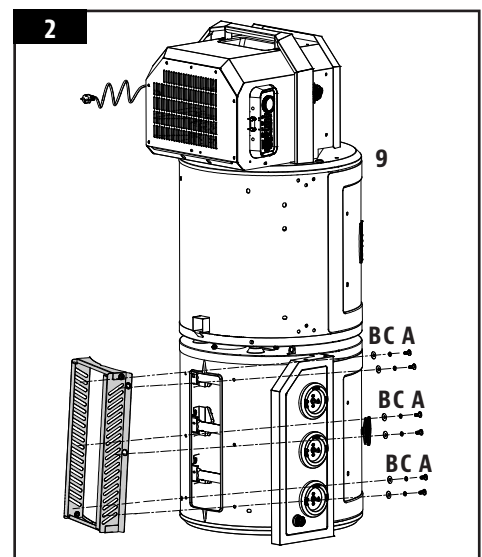
2. MOUNTING THE GREASE TRAY TO MAIN BARREL

Parts Required:

- 1 x Main Barrel / Hopper Assembly (#9)
- 6 x Screw (#A)
- 6 x Locking Washer (#C)
- 6 x Washer (#B)

Installation:

- Place a piece of cardboard on the floor to prevent scratching the unit. Lay the Main Barrel on its side, hopper end pointed upward, on the cardboard.
- Mount Grease Tray Supports to the floor end of the Main Barrel using six screws, locking washers and washers.



3. MOUNTING THE LEGS TO MAIN BARREL

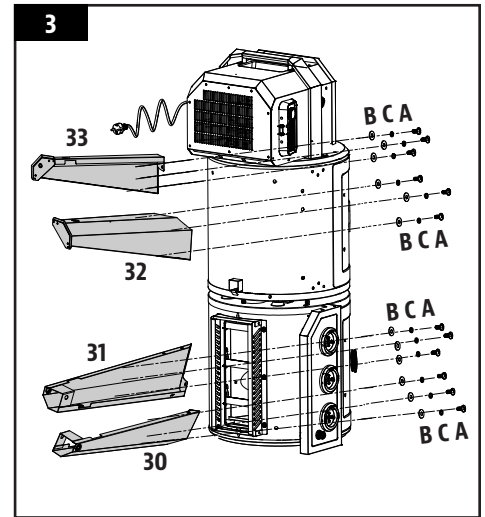
Parts Required:

- 1 x Support Leg /Front (#30)
- 1 x Support Leg /Back (#31)
- 1 x Support Leg for Caster /Front (#32)
- 1 x Support Leg for Caster /Back (#33)
- 12 x Screw (#A)
- 12 x Locking Washer (#C)
- 12 x Washer (#B)

Installation:

- Mount one Support Leg to the floor end of the Main Barrel using three screws, locking washers, and washers, through the three pre-drilled holes. Install screws from the inside of the Main Barrel. Repeat installation for second Support Leg.
- Mount one Support Leg for Caster to the hopper end of the Main Barrel using three screws, locking washers, and washers, through the three pre-drilled holes. Install screws from the inside of the Main Barrel. Repeat installation for second Support Leg for Caster.

NOTE: Fasten screws of the support legs only half-way to allow easier installation of bottom shelf in next step.



4. INSTALLING THE BOTTOM SHELF

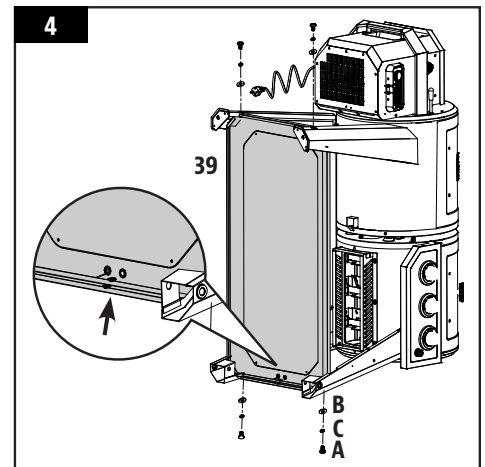
Parts Required:

- 1 x Cart Bottom Shelf (#39)
- 4 x Screw (#A)
- 4 x Locking Washer (#C)
- 4 x Washer (#B)

Installation:

- Attach the Cart Bottom Shelf using a washer, locking washer, and screw on each of the Support Legs by hand, but fasten only half-way.

NOTE: The side of the Cart Bottom Shelf with two holes should be assembled on the gas side.



5. SECURING CART FRONT/BACK PANELS

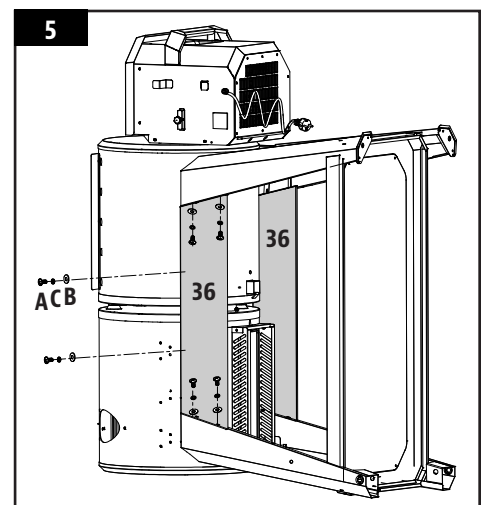
Parts Required:

- 2 x Cart Front / Back Panel (#36)
- 12 x Screw (#A)
- 12 x Locking Washer (#C)
- 12 x Washer (#B)

Installation:

- Secure the Cart Front Panel to each leg using two washers, locking washers, and screws on each of the two support legs. Secure the Cart Front Panel to Main Barrel using another two washers, locking washers, and screws. Repeat installation for the Cart Back Panel.

NOTE: Once the Cart Panels are installed, then tighten secure all of the Cart screws.



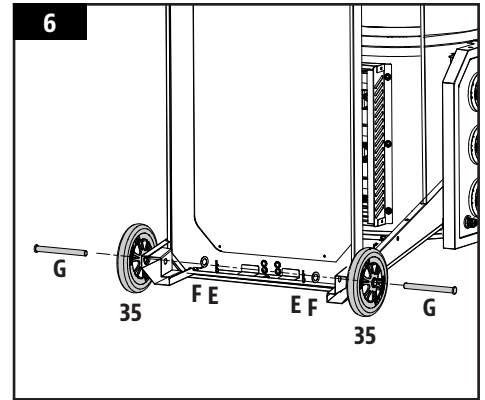
6. CONNECTING THE WHEELS TO THE CART

Parts Required:

- 2 x Wheel (#35)
- 2 x Wheel Axle Pin (#G)
- 2 x Wheel Washer (#F)
- 2 x Wheel Cotter Pin (#E)

Installation:

- Attach the Wheel to the Support Leg by inserting the wheel axle pin through the wheel, support leg hole, wheel washer, then secure using the wheel cotter pin. Repeat installation for the other Wheel.



7. CONNECTING THE CASTER WHEELS TO THE CART

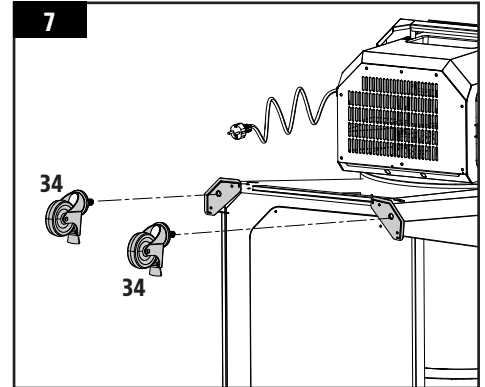
Parts Required:

- 2 x Locking Caster Wheel (#34)

Installation:

- Insert each Locking Caster Wheel into the bottom of the two Support Legs by hand-tightening into the hole. It will secure into the self-clinching nut. Ensure the Locking Caster Wheel is inserted completely by ensuring it cannot rotate any further.
- Once all wheels are secure, lock the caster wheels, then using a second person, carefully lift the grill into an upright position.

IMPORTANT: Re-tighten the support leg screws to ensure they are completely secure after positioning the grill upright.



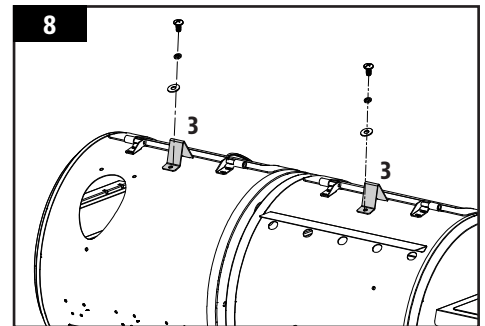
8. SECURING THE LID STOPPERS

Parts Required:

- 2 x Lid Stopper (#3)

Installation:

- Secure the two lid stoppers onto the top of the main barrel using the pre-installed screw, locking washer and washer on the top.



9. SECURING THE CHIMNEY

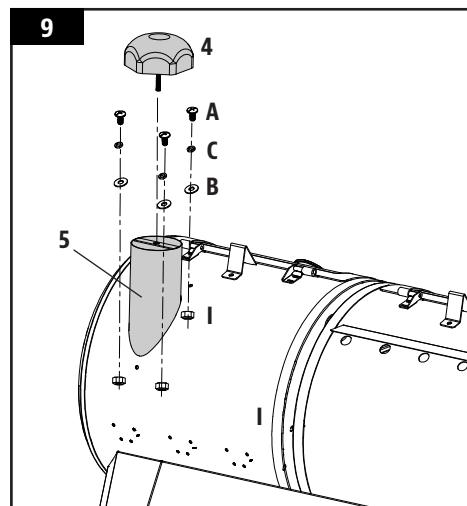
Parts Required:

- 1 x Chimney Cap (#4)
- 1 x Chimney Stack (#5)
- 3 x Screw (#A)
- 3 x Locking Washer (#C)
- 3 x Washer (#B)
- 3 x Nut (#I)

Installation:

- Locate the chimney opening on the backside of the gas barrel. From the inside of the gas barrel, insert the Chimney Stack through the opening. Insert a washer, locking washer, and screw into each hole from the outside of the gas barrel, but fasten only half-way into the the nut from the inside. Once all three screws are installed, fasten the screws completely.
- Next, twist the chimney cap onto the top of the chimney stack.

NOTE: Adjust the chimney cap to affect the airflow inside the main grill. If cooking at low temperature, keep the cap more open. Ensure the chimney cap allows for air to escape.



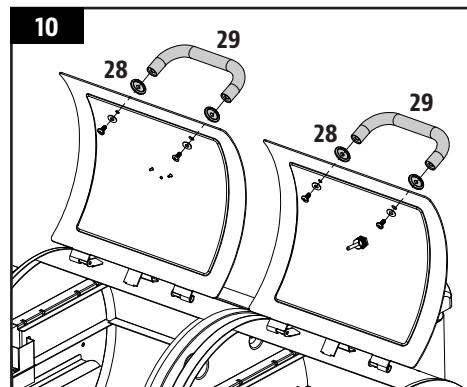
10. INSTALLING THE LID HANDLES

Parts Required:

- 4 x Lid Handle Bezel (#28)
- 2 x Lid Handle (#29)

Installation:

- Remove the pre-installed screws from the lid handle. From inside the barrel lid, insert one screw to protrude to the outside. Add a bezel on the screw, then hand-tighten the screw (from the inside) into the lid handle. Repeat same installation for other end of lid handle.



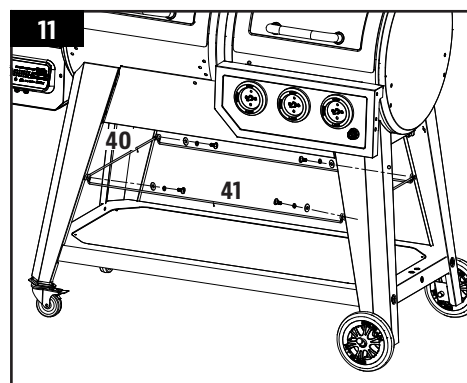
11. SECURING THE CART BARS

Parts Required:

- 2 x Cart Bar A (#40)
- 2 x Cart Bar B (#41)

Installation:

- Secure the cart bar A and cart bar B to each support leg using the pre-installed screws, locking washers, and washers.



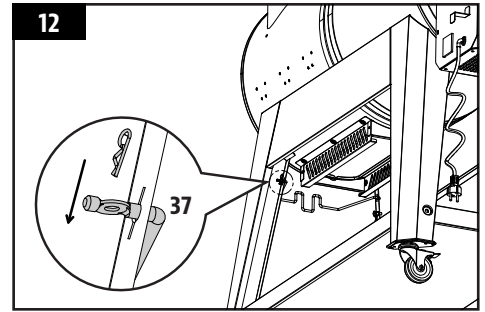
12. ATTACHING THE CYLINDER WIRE RETAINER

Parts Required:

- 1 x LP Gas Cylinder Wire Retainer (#37)

Installation:

- Remove the R-clip from LP Gas Cylinder Wire Retainer. Attach the LP Gas Cylinder Wire Retainer to the right Support Legs. Use R-clip to secure the wire retainer in place.



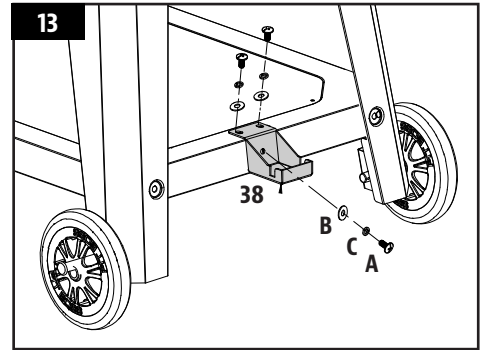
13. INSTALLING THE CYLINDER SUPPORT BRACKET

Parts Required:

- 1 x LP Gas Cylinder Support Bracket (#38)
- 3 x Screw (#A)
- 3 x Locking Washer (#C)
- 3 x Washer (#B)

Installation:

- Secure the LP Gas Cylinder Support Bracket to the cart bottom shelf using three screws, locking washers, and washers.



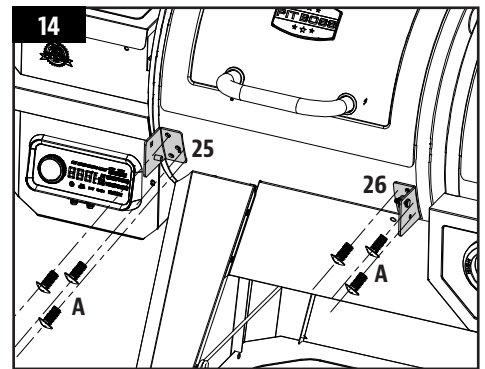
14. SECURING THE FRONT SHELF BRACKETS

Parts Required:

- 1 x Front Shelf Bracket /L (#25)
- 1 x Front Shelf Bracket /R (#26)
- 6 x Screw (#A)

Installation:

- Attach one Front Shelf Bracket to the front of the Main Barrel by using three screws. Install each screw half-way, then tighten completely when all three screws are mounted and aligned properly. Repeat the same installation for the other Front Shelf Bracket.



15. INSTALLING THE FRONT SHELF

Parts Required:

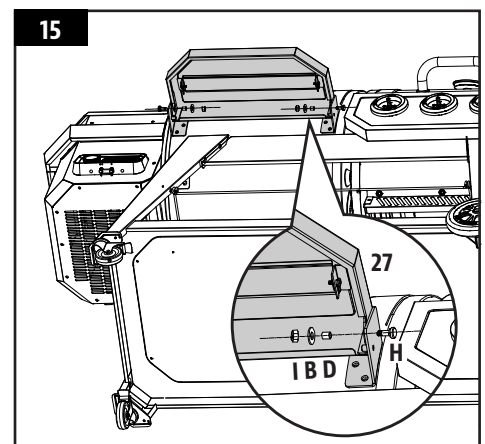
- 1 x Front Shelf (#27)
- 2 x Screw (#H)
- 2 x Washer (#B)
- 2 x Bushing (#D)
- 2 x Nut (#I)

Installation:

- From underneath, insert the screw (from the outside) into the Front Shelf Bracket and the Front Shelf, then add the bushing onto the screw, the washer, then the nut. Repeat the installation for the other side of the front shelf.

NOTE: When installed correctly, the front shelf can be raised (for use) and lowered (for storage) with ease.

IMPORTANT: Avoid using the shelves to move or lift the grill. The weight of the unit will cause the shelves to break, which is not covered by warranty.



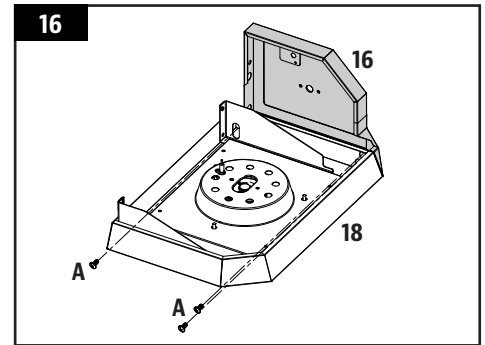
16. ASSEMBLING THE SIDE BURNER SHELF

Parts Required:

- 1 x Side Burner Panel (#16)
- 1 x Side Burner Shelf (#18)
- 3 x Screw (#A)

Installation:

- Flip the Side Burner Shelf upside-down. Mount the Side Burner Shelf onto the Side Burner Panel with three washers, locking washers, and screws.



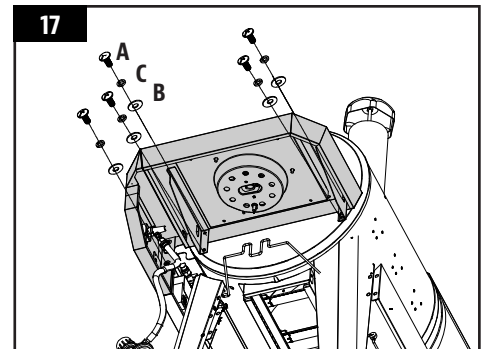
17. MOUNTING THE SIDE BURNER SHELF

Parts Required:

- 5 x Screw (#A)
- 5 x Locking Washer (#C)
- 5 x Washer (#B)

Installation:

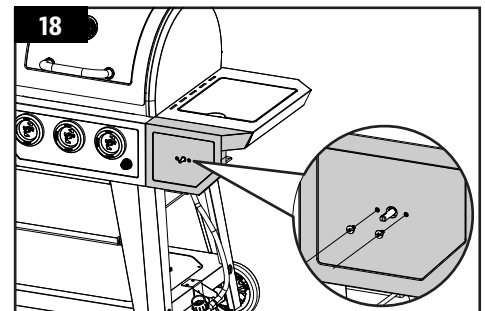
- Mount the Side Burner Shelf onto the end cap of the gas barrel with five washers, locking washers, and screws.



18. INSTALLING SIDE BURNER VALVE

Installation:

- Secure the side burner valve onto the side burner panel using two pre-installed screws on side burner valve.
- Fasten screws only half-way to allow easier installation in next step.



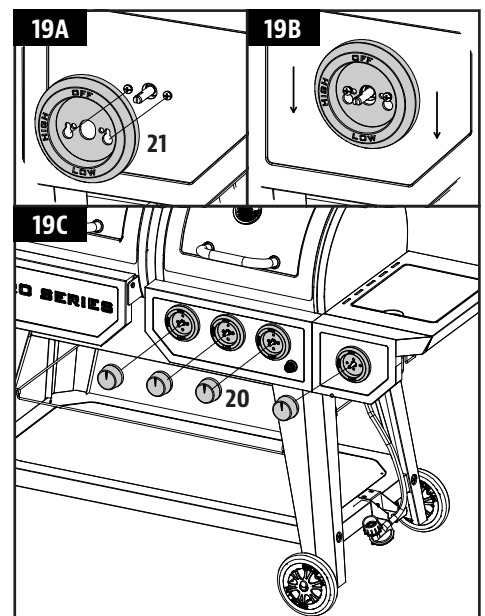
19. MOUNTING THE BURNER KNOBS

Parts Required:

- 4 x Burner Knob (#20)
- 1 x Burner Knob Bezel (#21)

Installation:

- First, install the Burner Knob Bezel onto the front of the Side Burner Panel. Ensure the two large key holes align with the screws. Note illustration 19A.
- Move the knob bezel vertically down to have the small end of key hole touch the screws and then tighten the screws. Note illustration 19B.
- Place Burner Knobs into the Burner Knob Bezel and protruding valve stems, making certain to align the flat portion of the stem with the flat portion of the knob. Push each Burner Knob onto the stem until it is firmly seated. Note illustration 19C.



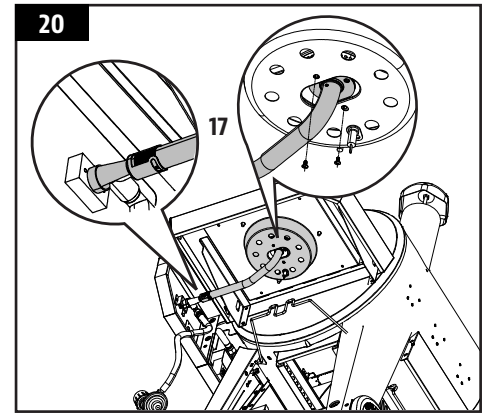
20. SECURING THE SIDE BURNER

Parts Required:

- 1 x Side Burner (#17)

Installation:

- Remove the two pre-installed screws from the underside of the Side Burner Shelf. From above, carefully insert the Side Burner into the Side Burner Shelf, then secure using the two screws previously removed.
- Next, insert the end of the Side Burner onto the side burner valve, completing the connection of the Side Burner to the Burner Knob.



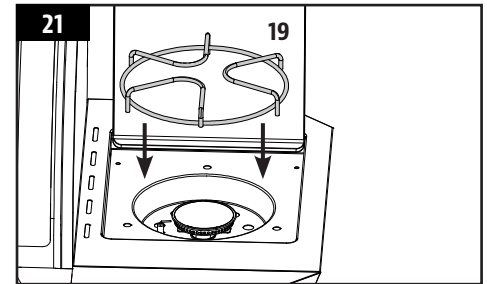
21. PLACING THE SIDE BURNER GRATE

Parts Required:

- 1 x Side Burner Grate (#19)

Installation:

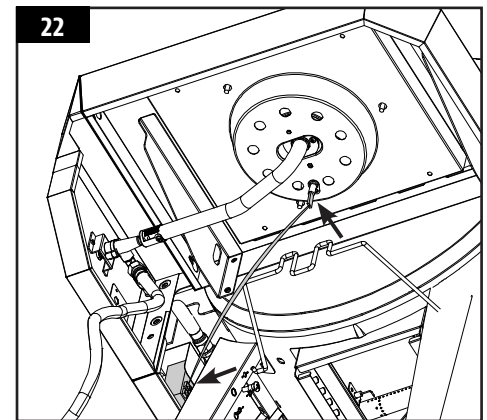
- Open the lid of the Side Burner Shelf. Place the Side Burner Grate into the Side Burner Shelf.



22. INSERTING THE IGNITER WIRE

Installation:

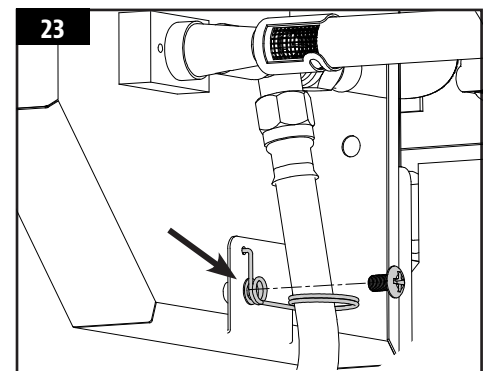
- Locate the igniter wire from behind the gas control panel (front panel with three knobs).
- Without disconnection from the gas control panel, plug the igniter wire into the end of the electrode of the Side Burner. Check to ensure the electrode is firmly connected.



23. ATTACHING THE HOSE RETAINER

Installation:

- Mount the fixed hose retainer from the gas hose onto the back of the Side Burner Panel with the pre-installed screw.



24. INSTALLING THE FLAME BROILER COMPONENTS

Parts Required:

- 1 x Flame Broiler Slider (#6)
- 1 x Flame Broiler Main Plate (#7)
- 1 x Flame Broiler Adjusting Bar Handle (#11)
- 1 x Flame Broiler Adjusting Bar (#12)

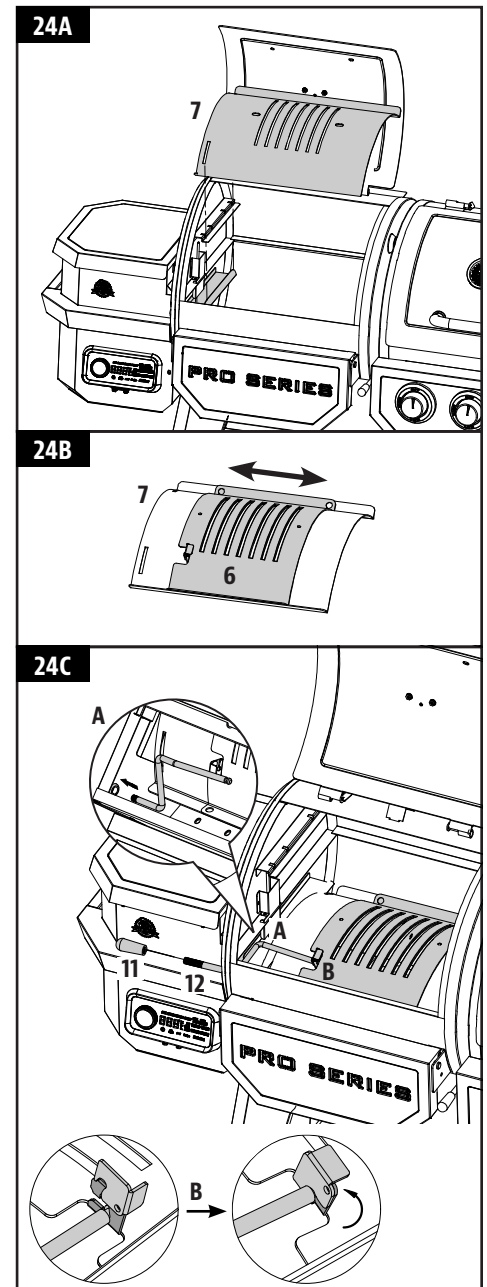
Installation:

- Insert the Flame Broiler Main Plate into the Main Barrel, right side first. Rest the Flame Broiler Main Plate on the built-in ledge (on the inside right) of the Main Barrel that directs grease towards the grease bucket. Slide the entire piece to the left side, and the two slots on the Flame Broiler Main Plate will fit into the rounded ledge. The Flame Broiler Main Plate will sit slightly at a downward angle. Note illustration 24A.

IMPORTANT: If the flame broiler main plate is on the base of the barrel, it is installed incorrectly. The flame broiler main plate should sit at an angle, with the left side sitting higher than the right. Improper installation of this part may result in damage to your main grill barrel.

- Place the Flame Broiler Slider on top of the Flame Broiler Main Plate, covering the slotted openings. Ensure the raised tab is on the left, to easily adjust for direct or indirect flame when cooking. Note illustration 24B. Both Flame Broiler parts are lightly coated with oil to avoid rusting when shipped.
- Next, insert the Flame Broiler Adjusting Bar through the opening hole on the left side of the Main Barrel. Add the Flame Broiler Adjusting Bar Handle on the end outside the barrel. Next, slide the notched end of the Flame Broiler Adjusting Bar into the locking tab on the Flame Broiler Slider, giving you adjustable access to the Flame Broiler Slider on the Main Plate. Note steps in illustration 24C.

NOTE: When the flame broiler slider is open and direct flame is used, do not leave the grill unattended for any period of time.



25. INSTALLING THE COOKING COMPONENTS

Parts Required:

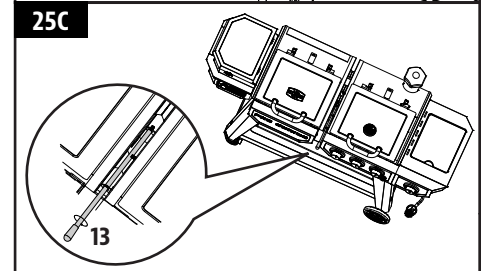
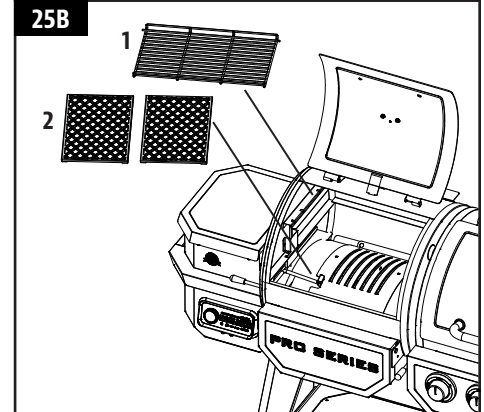
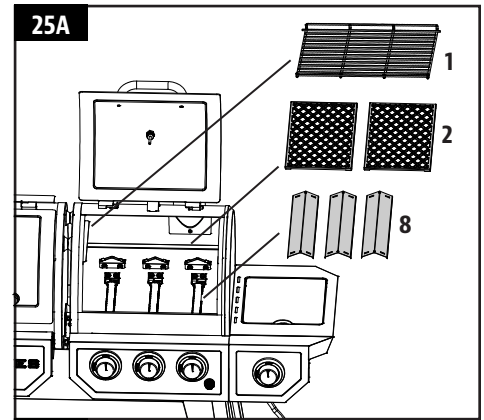
- 2 x Upper Cooking Rack (#1)
- 4 x Cooking Grids (#2)
- 3 x Heat Tent (#8)
- 1 x Smoke Adjusting Bar (#13)

Installation:

- First, on the gas barrel side, place the three Heat Tents on the top of the burners. Place the Cooking Grids, side-by-side, on the grid ledge inside the Main Grill. Place the Upper Cooking Rack on the upper ledge inside the Main Grill. The cooking rack will lock into place. Note illustration 25A.
- Next, on the pellet barrel side, place the Cooking Grids, side-by-side, on the grid ledge inside the Main Grill. Place the Upper Cooking Rack on the upper ledge inside the Main Grill. The cooking rack will lock into place. Note illustration 25B.

IMPORTANT: To maintain optimal searing and grilling performance of your cooking grids, regular care and maintenance is required.

- Lastly, screw the Smoke Adjusting Bar into the hole between the two barrel chambers, and tighten it. Ensure it can slide from front to back smoothly. Note 25C.



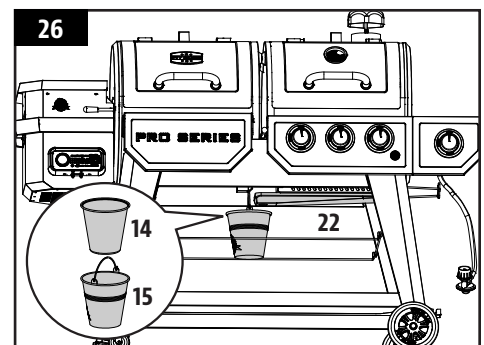
26. PLACING THE GREASE BUCKET, GREASE TRAY

Parts Required:

- 1 x Grease Bucket Liner (#14)
- 1 x Grease Bucket (#15)
- 1 x Grease Tray (#22)

Installation:

- Slide the Grease Tray into the bottom of the barrel. Insert the Grease Bucket Liner into the Grease Bucket, then place the Grease Bucket on the spout hook on the underside of the grill. Ensure both components are level to avoid grease spills.



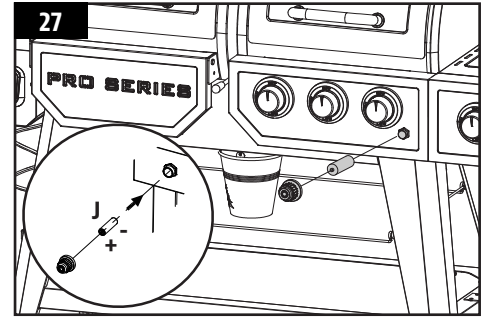
27. INSTALLING THE BATTERY

Parts Required:

- 1 x AA Battery (#J)

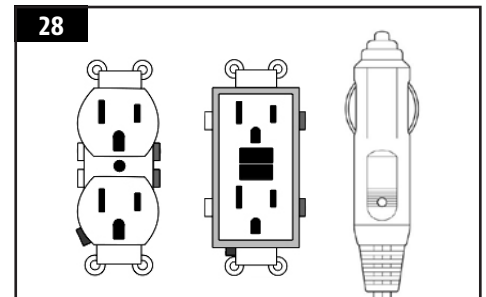
Installation:

- Unscrew igniter cap from control panel. Insert battery into battery slot with positive end (+) facing outward. Screw cap back onto panel.
- The unit is now completely assembled.



28. CONNECTING TO A POWER SOURCE

- **STANDARD OUTLET**
This appliance requires 110-120 volt, 60 hz, 250 w. It must be a 3-prong grounded plug. Ensure grounded end is not broken off before use. The control uses a 110-120 volt, fast-blow fuse to protect the board from the ignitor.
- **GFCI OUTLETS**
This appliance will work on most GFCI outlets, with a recommended size of 15 amp service. If your GFCI outlet is highly sensitive to power surges, it will likely trip during the start-up phase of operation. During the start-up phase, the igniter draws 200-700 watts of electricity which can be too much power for a GFCI outlet to handle. Each time it trips, it increases in sensitivity. If the GFCI keeps tripping, replace the outlet or change to a non-GFCI outlet.
- **ON THE ROAD**
Disconnect the igniter from the main wiring harness. Use the manual start-up procedure. A Pit Boss® unit can operate using a 12 volt, 100 watt inverter plugged into your automobile outlet. To use the automatic igniter, it is recommended to use a minimum of a 1000 watt inverter.



IMPORTANT: Disconnect unit from power source when not in use.

CONNECTING TO A GAS SUPPLY

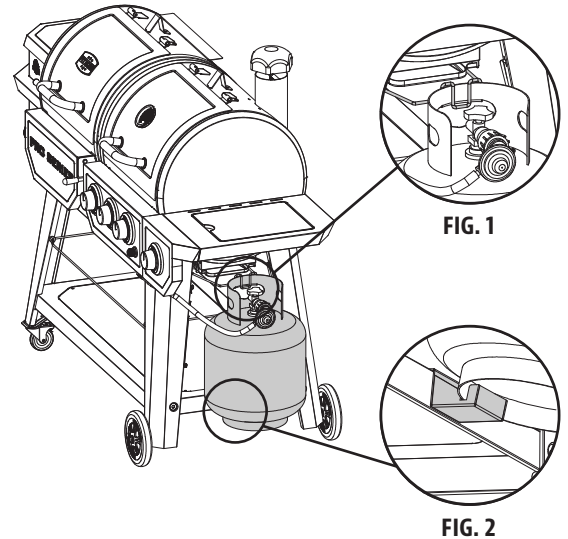
GAS CYLINDER REQUIREMENTS

The grill is set and tested with liquid propane gas only. The regulator supplied is set for 27.94 cm (11 inch) water column (WC) and is for use with LP gas only. The factory-supplied regulator and hose must be used with a 9 kg (20 lbs) LP gas tank. **Contact your gas supplier for a special regulator for bulk gas that fuels other appliances.**

CAUTION: It is important to inspect the full length of the gas line hose. If it is evident there is excessive abrasion or wear, or the hose is cut, the hose must be replaced prior to the appliance being used.

INSTALLING A GAS CYLINDER

1. From the side of the cart, place foot ring of 9 kg (20 lbs) tank onto the gas tank support bracket **Fig 1**. Make sure the tank valve is in OFF position. Put tank handle to LP Gas Cylinder Wire Retainer and secure tightly **Fig 2**. Ensure the tank is completely upright, as it is unsafe to operate the grill if the gas tank is not installed properly.
2. Ensure the regulator valve on the grill is completely closed by turning the knob clockwise to the OFF position.
3. Remove the protective caps from the regulator valve opening and the top of the gas cylinder. Save the caps.
4. Insert the gas cylinder valve into the threaded opening of the regulator valve. Turn the cylinder clockwise until firm. Hand-tighten only.
5. Gas cylinder is now installed.



PREPARATION FOR USE – LEAK TESTING

A leak test is used to determine the integrity of a seal. Before using your gas grill, perform a leak test on the connection between the regulator and the gas cylinder to reduce the risk of serious bodily injury or death from fire or explosion. A leak test should be performed a minimum of once a season, as well as:

- before lighting your grill for the first time,
- every time the gas cylinder has been changed,
- after travel, especially over rough or bumpy roads,
- after a prolonged period of storage or non-use.

HOW TO PERFORM A LEAK TEST

Supplies Required:

- 1 x Bowl (*empty, clean*)
- 1 x Paint Brush (*clean*)
- Dish Washing Liquid
- Water

Procedure:

1. Position the grill in a well-ventilated area. Ensure the grill is cool to the touch, and not in use. Verify that the regulator valve is turned to the OFF position and that the gas cylinder is tightened securely to the regulator.

IMPORTANT: Ensure there is no open flame or smokers nearby.

2. Mix a solution of one part of water with one part of dish washing liquid in a bowl. The solution will make bubble, as it will be concentrated.

- Use a paint brush to apply the solution onto the seal between the regulator and the gas cylinder. Visually inspect for streams of bubbles coming from a defect or break in the seal.

NOTE: If a leak appears, repeat gas cylinder installation procedure, but do not over-tighten. Hand-tighten only. Repeat leak test after re-installation to ensure seal is secure.

IMPORTANT: Do not use the gas grill if you detect a gas leak that cannot be corrected by using the leak test procedure. Contact your local Fire Department or Customer Service for alternative measures of testing to ensure proper precaution.

DISCONNECTING A GAS CYLINDER

- Ensure the regulator valve on the grill is completely closed by turning the knob clockwise to the OFF position.
- Turn the cylinder counter-clockwise (by hand) to disconnect from the regulator valve opening. Replace the protective caps on the regulator valve opening and the top of the gas cylinder for storage (if not empty).

NOTE: If storing the grill indoors, leave the gas cylinder outdoors.

WARNING: Do not fold up or transport grill with gas cylinder attached. The cylinder may loosen off the valve and cause a gas leak, possibly resulting in an explosion, fire, or severe bodily harm. Disconnect gas cylinder first before travel or storage.

Never light your gas grill with the lid closed or before checking to ensure the burner tubes are fully seated over the gas valve orifices.

Electrical equipment provided with the outdoor cooking gas appliance shall have the following in the instructions:

- To protect against electric shock, do not immerse cord or plugs in water or other liquid;
- Unplug from outlet when not in use and before cleaning. Allow to cool before putting on or taking off parts;
- Do not operate any outdoor cooking gas appliance with a damaged cord, plug, or after the appliance malfunctions or has been damaged in any matter. Contact the manufacturer to repair;
- Do not let the cord hang over the edge of a table or touch hot surfaces;
- Do not use an outdoor cooking gas appliance for purposed other than intended;
- When connecting, first connect plug to the outdoor cooking gas appliance then plug appliance into the outlet;
- Use only a Ground Fault Interrupter (GFI) protected circuit with this outdoor cooking gas appliance;
- Never remove the grounding plug or use with an adapter of 2 prongs; and
- Use only extension cords with 3-prong grounding plug, rated for the power of the equipment, and approved for outdoor use with a W-A marking.

The outdoor grill, when installed, must be electrically grounded in accordance with local codes or, in the absence of local codes with the National Electrical Code ANSI/NFPA 70, or Canadian Electrical Code, CSA C22.1.

- Do not store a spare LP gas tank under or near this appliance.
- Never fill the tank beyond 80 percent full.
- If the information in 1) and 2) is not followed exactly a fire causing death or serious injury may occur.
- Place dust cap on cylinder valve outlet whenever the cylinder is not in use. Only install the type of dust cap on the cylinder valve outlet that is provided with the cylinder valve. Other types of caps or plugs may result in leakage of propane.

WOOD PELLET OPERATING INSTRUCTIONS

With today's lifestyle of striving to eat healthy and nutritious foods, one factor to consider is the importance of reducing fat intake. One of the best ways to cut down on fat in your diet is to use a low fat method of cooking, such as grilling. As a pellet grill uses natural wood pellets, the savory wood flavor is cooked into the meats, reducing the need for high sugar content sauces. Throughout this manual, you will notice the emphasis on grilling food slowly at LOW or MEDIUM temperature settings.

GRILL ENVIRONMENT

1. WHERE TO SET-UP THE GRILL

With all outdoor appliances, outside weather conditions play a big part in the performance of your grill and the cooking time needed to perfect your meals.

All Pit Boss® units should keep a minimum clearance of 914 mm (36 inches) from combustible constructions, and this clearance must be maintained while the grill is operational. This appliance must not be placed under overhead combustible ceiling or overhang. Keep your grill in an area clear from combustible materials, gasoline and other flammable vapors and liquids.

2. COLD WEATHER COOKING

As it becomes cooler outside, that does not mean that grilling season is over! The crisp cool air and heavenly aroma of smoked foods will help cure your winter blues.

Follow these suggestions on how to enjoy your grill throughout the cooler months:

- If smoking at low temperatures fails, increase the temperature slightly to achieve the same results.
- Organize – Get everything you require ready in the kitchen before you head outdoors. During the winter, move your grill to an area that is out of the wind and direct cold. Check local bylaws regarding the proximity of your grill in relation to your home and/or other structures. Put everything you need on a tray, bundle up tight, and get it done!
- To help keep track of the outside temperature, place an outdoor thermometer close to your cooking area. Keep a log or history of what you cooked, the outdoor temperature, and the cooking time. This will help later down the road to help you determine what to cook and how long it will take.
- In very cold weather, increase your preheating time by at least 20 minutes.
- Avoid lifting the lid any more than necessary. Cold gusts of wind can completely cool your grill temperature. Be flexible with your serving time; add extra cooking time each time you open the lid.
- Have a heated platter or a dish cover ready to keep your food warm while making the trip back inside.
- Ideal foods for winter cooking are those that require little attention, such as roasts, whole chickens, ribs, and turkey. Make your meal preparation even easier by adding simple items such as vegetables and potatoes.

3. HOT WEATHER COOKING

As it becomes warmer outdoors, the cooking time will decrease.

Follow these few suggestions on how to enjoy your grill throughout the hot months:

- Adjust your cooking temperatures downward. This helps to avoid unwanted flare-ups.
- Use a meat thermometer to determine the internal temperature of your foods. This helps in preventing your meat from over cooking and drying out.
- Even in hot weather it is still better to cook with the lid of your grill down.
- You can keep foods hot by wrapping them in foil, and placing them in an insulated cooler. Stuff crumpled up newspaper around the foil and this will keep food hot for 3 to 4 hours.

GRILL TEMPERATURE RANGES

Temperature readouts on the control board may not exactly match the thermometer. All temperatures listed below are approximate and are affected by the following factors: outside ambient temperature, the amount and direction of wind, the quality of pellet fuel being used, the lid being opened, and the quantity of food being cooked.

- **HIGH TEMPERATURE (205-260°C / 401-500°F)**

This range is best used to sear and grill at a high heat. Use in tandem with the flame broiler (slide plate) for indirect or direct flame cooking. With the **flame broiler open**, direct flame is used to create those “blue” steaks, as well as flame-kissed vegetables, garlic toast or s’mores! When the **flame broiler is closed**, the air circulates around the barrel, resulting in convection heat. High temperature is also used to preheat your grill, burn-off the cooking grids, and to achieve high heat in extreme cold weather conditions.

- **MEDIUM TEMPERATURE (135-180°C / 275-356°F)**

This range is best for baking, roasting, and finishing off that slow smoked creation. Cooking at these temperatures will greatly reduce the chances of a grease flare-up. Ensure that the flame broiler slider is in the closed position, covering the slotted openings. Great range for cooking anything wrapped in bacon, or where you want versatility with control.

- **LOW TEMPERATURE (82-125°C / 180-257°F)**

This range is used to slow roast, increase smoky flavor, and to keep foods warm. Infuse more smoke flavor and keep your meats juicy by cooking longer at a lower temperature (also known as **low and slow**). Highly recommended for the big turkey at Thanksgiving, juicy ham at Easter, or the huge holiday feast.

Smoking is a variation on true barbecuing and is truly the main advantage of grilling on a wood pellet grill. **Hot smoking**, another name for **low and slow** cooking, is generally done between 82-125°C / 180-257°F. Hot smoking works best when longer cooking time is required, such as large cuts of meats, fish, or poultry.

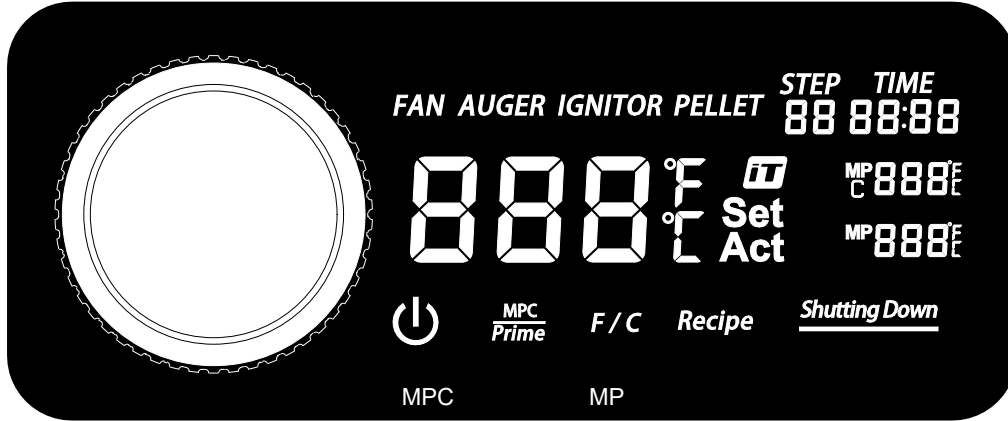
TIP: To intensify that savory flavor, switch to a low temperature range immediately after putting your food on the grill. This allows the smoke to penetrate the meats.




The key is to experiment with the length of time you allow for smoking, before the meal is finished cooking. Some outdoor chefs prefer to smoke at the end of a cook, allowing the food to keep warm until ready to serve. Practice makes perfect!


UNDERSTANDING THE CONTROL BOARD

This P.I.D. (proportional-integral-derivative) digital Control Board is very much the same as the controls on your kitchen oven. The main advantages are the ability to automatically compensate for the different ambient conditions and fuel types.

IMPORTANT: The temperature inside of any grill will vary greatly from location to location. Even instruments calibrated together may not agree with each other.



CONTROL	DESCRIPTION
	Press this button once to Power On the unit. This will begin the automatic start-up cycle. Press and hold this button for three seconds to Power-down the unit, activating the automatic cool-down cycle. The button will light up solid white when connected to a power source and when the unit is on.
	The Smoke iT® icon indicates a connectivity with Wi-Fi. When searching for a connection by Wi-Fi or via Bluetooth®, the Smoke iT® icon will blink. Once a Wi-Fi connection has been established, the Smoke iT® icon will stay solid. When connected, get live updates about the actual and set temperatures of the grill, cooking time, and meat probe temperatures. It also allows you to adjust the settings of your Control Board.
<i>F / C</i>	Quick push of this button to activate the Temperature Units Switch, changing the temperature readout. Change between Celsius (°C) and Fahrenheit (°F), as preferred. Default is set to Fahrenheit.
<i>MPC Prime</i>	This button has two functions: Meat Probe Control (MPC) and Prime Button. <ol style="list-style-type: none"> 1. The quick push of this button activates the Programmable Meat Probe - which is the first Meat Probe plug-in port (MPC). Use the Controller Knob to set the Programmable Meat Probe temperature. Press the Controller Knob again to confirm and exit the Programmable Meat Probe settings. 2. Press and hold this button for three seconds to activate a manual continuous feeding of pellets to the fire pot. Releasing the button will stop the manual feeding of pellets. This can be used to add more fuel to the fire before opening the barrel lid, resulting in a quick heat recovery. It can also be used while smoking, to increase the intensity of clean smoke flavor. This feature was requested from competition cookers.
	The Controller Knob is used to increase, decrease, and select a setting value. Rotate the Controller Knob to select the time, temperature, or step in an active settings menu. Push the Controller Knob to confirm the chosen value.

	<p>The central readout displays both the Actual and Set temperatures. The Actual temperature is constantly displayed unless the Set temperature is being adjusted. The Actual temperature is the temperature from inside the Main Barrel. The Actual temperature readout is taken by the grill probe (sensor) from the inside of the grill barrel.</p> <p>To show the Set temperature, press the Controller Knob. The Set temperature is active when the readout is blinking. To adjust the Set temperature, rotate the Controller Knob, as needed. Once the desired Set temperature is reached, press the Controller Knob to confirm the Set temperature, then the readout will return back to the Actual Temperature.</p>
<p>Recipe</p>	<p>Press the button once to activate the Recipe Steps. There are nine Recipe Steps available to set. Adjust the settings of each Recipe Step by using the Controller Knob.</p>
<p>STEP 88</p>	<p>Displays the current Recipe Step.</p>
<p>TIME 88:88</p>	<p>Displays the Time set during the Recipe Step. Press the Recipe Button to activate the Recipe settings. Use the Controller Knob to switch through the Recipe Steps, one being the Time.</p>
<p>MP MPC 888°F C</p>	<p>Displays the Actual and Set temperature of the Programmable Meat Probe - which is the first Meat Probe plug-in port (MPC). The Actual temperature is constantly displayed unless the Set temperature is being adjusted. When the MPC Button is pressed, the selected Meat Probe readout will blink and the Set temperature can be adjusted. When not in use, disconnect the Meat Probe from the connection port and code "noP" will be displayed. Compatible with Pit Boss® Grills branded meat probes only.</p>
<p>MP 888°F C</p>	<p>Displays the Actual temperature of the Meat Probe. This Meat Probe readout corresponds with the plug-in connection port (MP). When not in use, disconnect the Meat Probe from the connection port and code "noP" will be displayed. Compatible with Pit Boss® Grills branded meat probes only.</p>
<p><u>Shutting Down</u></p>	<p>This readout is displayed after Power-down has been selected. It indicates that the automatic cool-down cycle has started. Once the cool-down cycle is completed, the readout will no longer be visible.</p>
<p>FAN</p>	<p>The FAN icon is visible when the fan is in operation. When the central readout has an error code (Err) and the FAN icon is blinking, the Fan is not working. See the section on troubleshooting for assistance.</p>
<p>AUGER</p>	<p>The AUGER icon is visible when the auger is turning. When the central readout has an error code (Err) and the AUGER icon is blinking, the auger is not working. See the section on troubleshooting for assistance.</p>
<p>IGNITOR</p>	<p>The IGNITOR icon is visible when the ignitor is in use. When the central readout has an error code (Err) and the IGNITOR icon is blinking, the ignitor is not working. See the section on troubleshooting for assistance.</p>
<p>PELLET</p>	<p>When the central readout has an error code (Err) and the PELLET icon is visible, the fire in the fire pot has gone out or the hopper may be empty. See the section on troubleshooting for assistance.</p>

CONTROL BOARD FUNCTIONS

• *SETTING THE GRILL TEMPERATURE*

The Grill Probe measures the internal temperature of the Main Barrel. When the Set temperature is adjusted, the Grill Probe will read the Actual temperature inside the Main Barrel and adjust to the desired Set temperature.

IMPORTANT: The temperature of your unit is highly dependent on ambient outdoor weather, quality of pellets used, flavor of pellets, and the quantity of food being cooked.

SETTING/ADJUSTING THE SET TEMPERATURE

To adjust the desired Set temperature of the grill, follow the steps below:

1. Press the Controller Knob. This will make the Set temperature readout blink, to show it is active.
2. Use the Controller Knob again to adjust to your desired temperature.
3. Once the desired Set temperature is reached, press the Controller Knob to confirm the Set temperature, then the readout will return back to the Actual Temperature.

• *USING THE PROGRAMMABLE MEAT PROBE*

The meat probe measures the internal temperature of the meat on the grill, similar to your indoor oven. Insert the stainless-steel meat probe into the thickest portion of the meat. The internal temperature of the meat is shown on the Control Board readout. Plug-in the Meat Probe adapter to the meat probe connection port and ensure it is inserted all the way into the plug. You will feel and hear it snap in place. Not only will it cook the meat to your desired temperature, but it will automatically reduce your grill temperature to low (82°C / 180°F) to keep food warm until ready to serve. Just set it, then relax while the Meat Probe does the rest!

NOTE: When placing the meat probe into your meat, ensure the meat probe and meat probe wires avoid direct contact with flame or excess heat. This can result in damage to your meat probe. Run the excess wire out the rear exhaust holes of the Main Barrel, the top of the Main Barrel (near the grill lid hinge), or through the front hole near the hopper. When not in use, disconnect from the meat probe connection port, and place in the holes on the hopper handle to keep protected and clean.

SETTING/ADJUSTING THE PROGRAMMABLE MEAT PROBE

To program the desired Set temperature of the Programmable Meat Probe, follow the steps below:

1. Quick press the MPC button to activate the Programmable Meat Probe. When active, the temperature readout of the Meat Probe will blink.
2. Use the Controller Knob to adjust to the desired Set temperature.
3. Once the desired Set temperature of your selected Meat Probe is reached, press the Controller Knob again to confirm and exit the Programmable Meat Probe settings.

• *SETTING UP A RECIPE*

The Recipe function allows the user to program cooking instructions, known as Recipe Steps, for the Control Board to follow and automatically run. These cooking instructions are a combination between Cooking temperature and Time. Starting from the first Recipe Steps (01), the Control Board will cycle through each Recipe Steps to cook the meal. When all the Recipe Steps are complete, the Control Board will automatically switch to a low temperature of 82°C / 180°F so that the meal stays warm until ready to serve. There are a total of nine Recipe Steps available to be programmed.

HOW TO PROGRAM A RECIPE STEP

To set one or more of the Recipe Steps, follow the steps below:

1. Press and hold the Recipe Button. This will make the Recipe Button blink to show the Recipe settings are active. This will also activate the Recipe Steps and the letter 'S' will be on to show it is active.
 - Use the Controller Knob to select the Recipe Step. Start with the first Recipe Step (01).
 - When desired Recipe Step is reached, press the Controller Knob to go to next setting.
 2. Set the Time hours. The hours of the Time readout will blink, to show it is selected.
 - Use the Controller Knob to select the hours desired.
 - When desired hours are reached, press the Controller Knob to go to next setting.
 3. Set the Time minutes. The minutes of the Time readout will blink, to show it is selected.
 - Use the Controller Knob to select the minutes desired.
 - When desired minutes are reached, press the Controller Knob to go to next setting.
 4. Set the Temperature. The central temperature readout will blink, to show it is selected.
 - Use the Controller Knob to select the desired temperature.
 - When desired temperature is reached, press and hold the Recipe Button to lock in all Recipe settings for that Recipe Step.
 - To set another Recipe Step, quick press the Recipe Button to select another Recipe Step, programming a multiple Recipe Step cook. Repeat steps above, as desired.
- Or,
- Press and hold the Recipe Button a second time to exit the Recipe settings and run the Recipe. The Recipe Button will stop blinking.

NOTE: The Recipe Steps will reset when the unit is shut-down / turned off.

CONNECTING TO THE SMOKE IT® APP

Follow these instructions on how to connect your grill to the Smoke iT® app with your Android™ or iOS® device. The app will allow you to control and monitor your grill and meat probe temperatures from your mobile device. Enjoy the benefits that Smoke IT® mobile connectivity has to offer!

1. Download the Smoke iT® app. Open the app and allow Bluetooth® to be enabled for setup. New users will need to create an account and follow the prompts to login.
2. If you are within Bluetooth® range (9 m / 30 ft), the Smoke iT® app will automatically detect your grill. Select your grill model. If you do not see your grill on the screen, ensure your unit is connected to a power source and is turned on.
3. Name your grill model (ie. My Smoker) in the app and select "Connect" at the bottom of the screen. This will save your grill model in the devices menu.
4. From the devices menu, click the grill model to connect. This will show you the control board screen.
5. Click the settings option (gear) in the top-right corner, enter your Wi-Fi credentials, then click the check mark at the bottom of the screen to connect. Now both Bluetooth® and Wi-Fi (cloud) icons will show on the devices menu, showing that the grill is connected.

While using the app, the screen will shine bright when the grill is active and connected. If the app screen or grill goes dark on the devices menu, check your wireless connection or power source.

HOPPER PRIMING PROCEDURE

These instructions should be followed the first time the grill is ignited, and each time the grill runs out of pellets in the hopper. The auger must be primed to allow pellets to travel through the length of the auger, and fill the fire pot. **If not primed, the ignitor will timeout before the pellets are ignited, and no fire will start.** Follow these steps to prime the hopper:

1. Open the Main Barrel lid. Remove all cooking components from the interior of the grill. Locate the fire pot in the bottom of the main barrel. Check the fire pot to ensure there is no obstruction for proper ignition.
2. Plug the power cord into a power source. Press the Power button to Power On the unit. Check the following items:
 - That you can hear the auger turning. Place your hand above the fire pot and feel for air movement. Do not place your hand or fingers inside the fire pot. This can cause injury.
 - After approximately a minute, you should smell the ignitor burning and begin to feel the air getting warmer in the fire pot. The ignitor tip does not glow red, but gets extremely hot and will burn. Do not touch the ignitor.
3. Once verified that all electric components are working correctly, press the Power Button to turn the unit off.
4. Open the hopper lid. Ensure there are no foreign objects in the hopper or auger feed system. Fill the hopper with dry, all natural barbecue hardwood pellets.
5. Press the Power Button to turn the unit on again. The grill start-up cycle has a preset temperature of 176°C / 350°F, so it will begin to heat up. Press and hold the Prime Button until you see pellets on the inside of the grill from the auger tube. Once pellets begin to drop into the fire pot, release the Prime Button.
6. Press the Power Button to turn the unit off.
7. Re-install the cooking components into the main barrel. The grill is now ready to use.

FIRST USE – GRILL BURN-OFF

Once your hopper has been primed and before cooking on your grill for the first time, it is important to complete a grill burn-off. Start the grill and operate at any temperature over 176°C / 350°F (with the lid down) for 30 to 40 minutes to burn-off the grill and rid it of any foreign matter.

AUTOMATIC START-UP PROCEDURE

1. Plug the power cord into a grounded power source. Open the main barrel lid. Check the fire pot to ensure there is no obstruction for proper ignition. Open the hopper lid. Ensure there are no foreign objects in the hopper or auger feed system. Fill the hopper with dry, all natural barbecue hardwood pellets.
2. Press the Power Button to turn the unit on. This will activate the start-up cycle. The auger feed system will begin to turn, the ignitor will begin to glow and the fan will supply air to the fire pot. The grill will begin to produce smoke while the start-up cycle is taking place. The barrel lid must remain open during the start-up cycle. To confirm the start-up cycle has begun properly, listen for a torchy roar, and notice some heat being produced.
3. Once the heavy, white smoke has dissipated, the start-up cycle is complete and you are ready to enjoy your grill at your desired temperature!

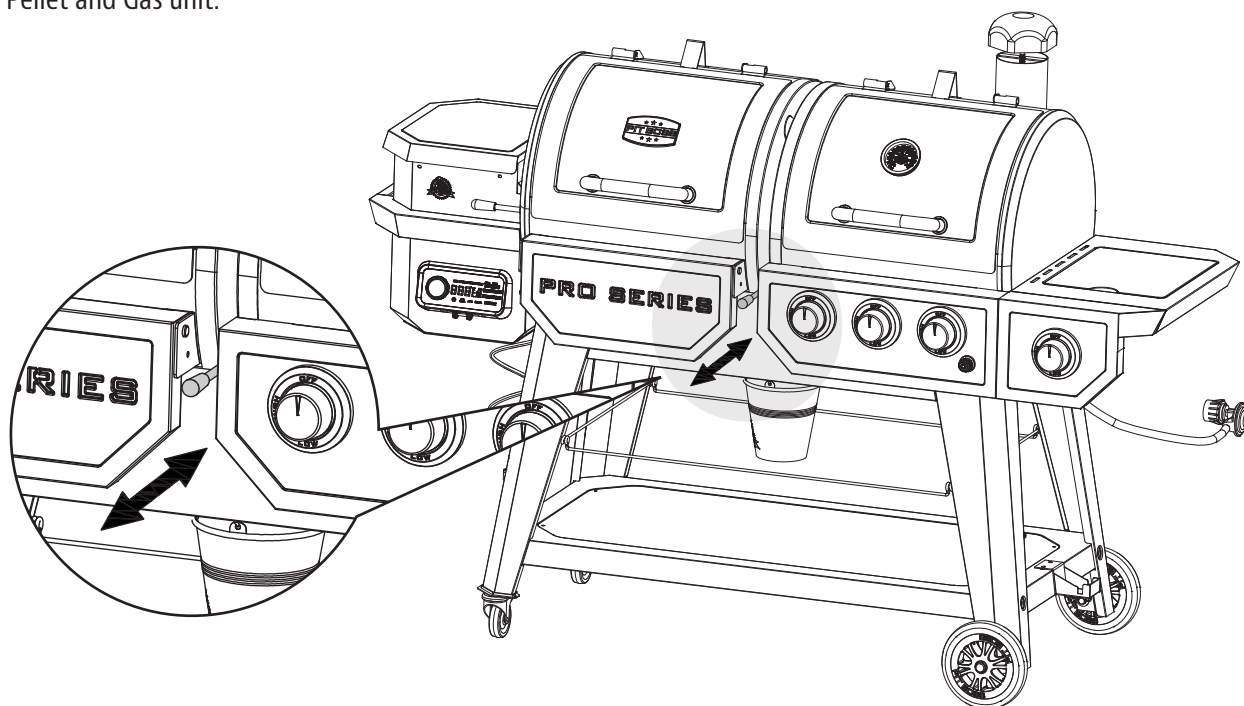
SHUTTING OFF YOUR GRILL

1. When finished cooking, with the main barrel lid remaining closed, press and hold the the Power Button for three seconds to Power-down the unit. The grill will begin its automatic cool-down cycle. The auger system will stop feeding fuel, the flame will burn out, and the fan will continue to run until the cool-down cycle is complete.

SMOKE OPERATING INSTRUCTIONS

USING SMOKE ADJUSTING BAR

To control the amount of smoke, as well as the overall cooking temperature, PULL open Smoke Adjusting Bar, located between the Pellet and Gas unit.



PROPANE GAS OPERATING INSTRUCTIONS

GRILL ENVIRONMENT

1. *WHERE TO SET-UP THE GRILL*

With all outdoor appliances, outside weather conditions play a big part in the performance of your grill and the cooking time needed to perfect your meals. All Pit Boss® Grills units should keep a minimum clearance of 914 mm (36 inches) from combustible constructions, and this clearance must be maintained while the grill is operational. This appliance must not be placed under overhead combustible ceiling or overhang. Keep your grill in an area clear from combustible materials, or other flammable vapors and liquids.

2. *COLD WEATHER COOKING*

As it becomes cooler outside, that does not mean that grilling season is over! The crisp cool air and heavenly aroma of grilled foods will help cure your winter blues. Follow these suggestions on how to enjoy your grill throughout the cooler months:

- Organize – Get everything you require ready in the kitchen before you head outdoors. During the winter, move your grill to an area that is out of the wind and direct cold. Check local bylaws regarding the proximity of your grill in relation to your home and/or other structures. Put everything you need on a tray, bundle up tight, and get it done!
- To help keep track of the outside temperature, place an outdoor thermometer close to your cooking area. Keep a log or history of what you cooked, the outdoor temperature, and the cooking time. This will help later down the road to help you determine what to cook and how long it will take.
- Have a heated platter or a dish cover ready to keep your food warm while making the trip back inside.

3. *HOT WEATHER COOKING*

As it becomes warmer outdoors, the cooking time will decrease. Follow these few suggestions on how to enjoy your grill throughout the hot months:

- Adjust your cooking temperatures downward. This helps to avoid unwanted flare-ups.
- Use a meat thermometer to determine the internal temperature of your foods. This helps in preventing your meat from over cooking and drying out.
- You can keep foods hot by wrapping them in foil, and placing them in an insulated cooler. Stuff crumpled up newspaper around the foil and this will keep food hot for 3 to 4 hours.

FIRST USE – GRILL BURN-OFF

Before using your grill for the first time with food, it is important to complete a burn-off. Start the grill and operate at a set temperature of at least (177°C / 350°F) for 30 minutes to burn-off the unit and rid it of any foreign matter.

AUTOMATIC START-UP PROCEDURE

1. Verify that the regulator knob is turned to the OFF position.
2. Note the triangular indicator mark on the silver regulator housing. Push in the regulator knob and turn 270 degrees (or 3/4) counter-clockwise to HIGH.
3. Push the igniter button in repetitively until the catches flame. Listen for a “click” sound to indicate a spark from the igniter, and look for flame to ensure the burner is lit.
4. After the burner has caught fire, you are ready to enjoy your grill at your desired temperature!

If the burner goes out during operation, turn the regulator knob to the OFF position. Open the grill lid and wait five minutes before attempting to relight to allow any accumulated gas to dissipate.

IGNITER FAILURE PROCEDURE

If for any reason your igniter fails after three of four attempts, check the following steps, or start your grill using the manual method.

1. Ensure the regulator knob is turned to the OFF position. Allow any accumulated gas to dissipate.
2. After five minutes, check the following:
 - Visually confirm that the igniter is working by pushing the igniter button and looking at the igniter tip for a spark. If no spark, adjust the distance between the igniter (electrode) tip and burner to 4.5 mm (3/16 in).
 - Visually confirm that the burner tube and portholes are not obstructed. If blocked, follow **Care & Maintenance** instructions.
3. If the above points do not work, follow **Troubleshooting** instructions.

MANUAL START-UP PROCEDURE

1. Verify that the regulator knob is turned to the OFF position. Open the lid of the grill to release any trapped gas.
2. Note the triangular indicator mark on the silver regulator housing. Push in the regulator knob and turn 270 degrees (or 3/4) counter-clockwise to HIGH.
3. Quickly and carefully, using a long match or long-nosed lighter, place a lit flame near the burner and watch the burner catch flame. Do not attempt to light another area of the burner. This can cause injury.

NOTE: Do not use spirit, lighter-fluid or kerosene for lighting or refreshing a fire in your grill.

4. Continue start-up by following steps four and five of **Automatic Start-Up Procedure**.

FIRST USE – OPERATING BURNERS

1. Make sure all labels, packaging and protective films have been removed from the grill.
2. Remove manufacturing oils before cooking on this grill for the first time by operating the grill for at least 15 minutes on HIGH with lid closed. This will "heat clean" the internal parts and dissipate odors.

LIGHTING

CAUTION: Keep outdoor gas cooking appliance area clear and free from combustible materials, gasoline and other flammable vapors and liquids. Do NOT obstruct the flow of combustion and ventilation air. Check and clean burner/venturi tubes for insects and insect nests. A clogged tube can lead to a fire. Attempting to light the burner with lid closed may cause an explosion.

1. Open Lid. Check for obstructions of airflow to the burners. Spiders, insects and webs can clog the burner/venturi tube. A clogged burner tube can lead to a fire.
2. All Burner Knobs must be in the OFF position. Connect LP gas tank per "Installing LP Gas Tank" section. Turn LP gas tank valve to OPEN.
3. Push and turn any Burner Knob to HIGH. The burner should light. If it does not, repeat up to three times. If ignition does not occur in 5 seconds, turn burner Burner Knob OFF, wait 5 minutes, and repeat lighting procedure.
4. If igniter does not light burner, use a lit match secured with the lighting rod (included with the grill) to light burners. Access the burners through the cooking grid and heat plates. Position lit match near side of burner (Fig. 3).

Important: Always use lighting rod (included) when lighting burners with a match.

5. After lighting, observe the burner flame. Make sure all burner ports are lit and flame height matches illustration (Fig. 4).

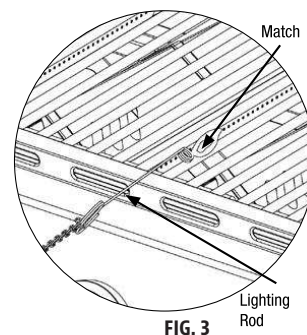


FIG. 3

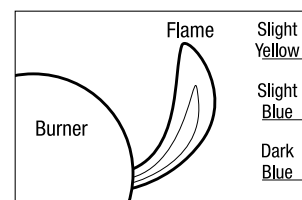


FIG. 4

NOTE: Each burner lights independently - repeat same steps for other burners.

CAUTION: If burner flame goes out during operation, immediately turn the Burner Knobs to the OFF position, LP gas tank valved CLOSED, and open lid to let the gas clear for 5 minutes before re-lighting,

SHUTTING OFF YOUR GRILL

1. Turn LP gas tank valve to CLOSED.
2. Turn all Burner Knobs clockwise to the OFF position.
NOTE: A "poof" sound is normal as the last of the LP gas is burned.
3. Disconnect LP gas tank per *Disconnect LP Gas Tank* section.

WARNING: Allow the grill to cool completely, and remove the gas cylinder, before moving, travel, or for storage.

CONTROLLING FLARE-UPS

Flare-ups are a part of cooking meats on a grill and add to the unique flavor of grilling. Excessive flare-ups can over-cook your food and be dangerous. Important: If a grease fire occurs, close the lid and turn Burner Knob(s) to OFF until grease burns out. Be careful when opening the lid as a sudden flare-up may occur. If excessive flare-ups occur, do not pour water onto the flames.

CAUTION: Putting out grease fires by only closing the lid is not possible. Excessive flare-ups result from build-up of grease in the bottom of your grill.

1. If a grease fire develops, turn Burner Knobs to the OFF position, LP gas tank valve CLOSED. Do NOT use water on a grease fire. This can cause grease to splatter and could result in serious burns, bodily harm or other damage.
2. Do NOT leave grill unattended while preheating or burning off food residue on HIGH. If grill has not been cleaned, a grease fire can occur.

WARNING: When cooking, fire extinguishing materials should be readily accessible. In the event of an oil/grease fire, use type BC dry chemical fire extinguisher or smother with dirt, sand or baking soda. Do NOT attempt to extinguish with water.

MINIMIZE FLARE-UPS

- Trim excess fat from meats prior to cooking.
- Cook high fat content meats on LOW setting or indirectly.
- Ensure that your grill is on a hard, level, non-combustible surface and the grease is allowed to drain into the grease receptacle.

CARE AND MAINTENANCE

Any Pit Boss® unit will give you many years of flavorful service with minimum cleaning. Follow these cleaning and maintenance tips to service your grill:

CHECKING THE GAS LEVEL

To check the amount of fuel in the LP gas cylinder, the grill must be in operation. Place your hand at the top of the tank and slowly move down the side until the tank feels cool to the touch. This will indicate the approximate amount of gas in your tank; if $\frac{3}{4}$ empty, replace with full tank.

IMPORTANT: Do not use charcoal briquettes or any flammable material with your grill. Use of such material will void your warranty and may lead to a fire, explosion and bodily harm.

1. BURNER COMPONENTS

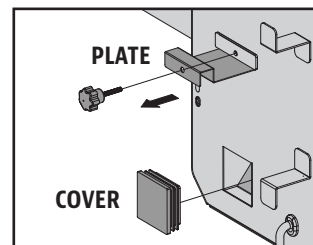
- Clean the burner whenever heavy build-up is found, to ensure that there are no signs of blockage (debris, insects) on the burner tube or in the burner portholes. After periods of storage, spiders or small insects can build nests, webs, and lay eggs in the burner tube, obstructing the flow of gas to the burner. If storing the grill or before an extended period of non-use, remove the burner and wrap with aluminum foil to reduce the risk of insects entering the burner holes.
- The burner has been preset for optimal flame performance. A blue flame, possibly with a small yellow tip, is the result of the optimal air and gas mixture. If flames are excessively yellow, orange or irregular, clean the oil and food deposits on the burner surface and the burner portholes to increase airflow.

2. HOPPER ASSEMBLY

- The hopper includes a clean-out feature to allow for ease of cleaning and change out of pellet fuel flavors. To empty, locate the plate and the cover of the drop chute on the back side of the hopper. Place a clean, empty pail under the drop chute cover, then remove the cover piece. Unscrew the plate, slide outwards, and pellets will empty.

NOTE: Use a long handled brush or shop-vac to remove excess pellets, sawdust, and debris for a complete clean-out through the hopper screen.

- Running all pellets out of your auger system is recommended if your grill will be unused for an extended period of time. This can be done by simply running your grill, on an empty hopper, until all pellets have emptied from the auger tube.
- Check and clean off any debris from the fan air intake vent, found on the bottom of the hopper. Once the hopper access panel is removed (see *Electric Wire Diagram* for diagram), carefully wipe off any grease build-up directly on the fan blades. This ensures airflow is sufficient to the feed system.



3. PROBES

- Kinks or folds in the probe wires may cause damage to the part. Wires should be rolled up in a large, loose coil.
- Although the probes are stainless steel, do not place in the dishwasher or submerge in water. Water damage to the internal wires will cause the probe to short-out, causing false readings. If a probe is damaged, it should be replaced.

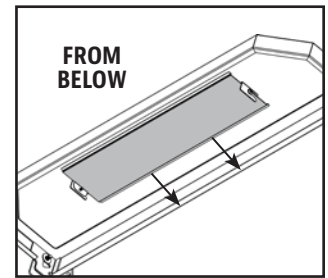
4. INSIDE SURFACES

- It is recommended to clean your fire pot after every few uses. This will ensure proper ignition and avoid any hard build-up of debris or ash in the fire pot.
- Use a long-handled grill cleaning brush (brass or soft metal), remove any food or build-up from the cooking grids. Best practice is to do this while they are still warm from a previous cook. Grease fires are caused by too much fallen debris on the cooking components of the grill. Clean the inside of your grill on a consistent basis. In the event you experience a grease fire, keep the grill lid closed to choke out the fire. If the fire does not go out quickly, carefully remove the food, turn the grill off, and shut the lid until the fire is completely out. Lightly sprinkle baking soda, if available.
- Check your grease bucket often, and clean out as necessary. Keep in mind the type of cooking you do.

IMPORTANT: Due to high heat, do not cover the flame broiler or probes with aluminum foil.

5. OUTSIDE SURFACES

- The front shelf includes a removable panel underneath for ease of cleaning. From below, push the backing plate towards the main barrel to remove. Clean, then replace by sliding back into place.
- Wipe your grill down after each use. Use warm soapy water to cut the grease. Do not use oven cleaner, abrasive cleansers or abrasive cleaning pads on the outside grill surfaces. **All painted surfaces are not covered under warranty, but rather are part of general maintenance and upkeep.** For paint scratches, wearing, or flaking of the finish, all painted surfaces can be touched up using high heat BBQ paint.
- Use a grill cover to protect your grill for complete protection! A cover is your best protection against weather and outside pollutants. When not in use or for longterm storage, keep the unit under a cover in a garage or shed.



CLEANING FREQUENCY TIME TABLE (NORMAL USE)

ITEM	CLEANING FREQUENCY	CLEANING METHOD
Bottom Of Grill	Every 2-3 grill sessions	Scoop out, shop-vac excess debris
Burner Tube, Portholes	Every 5-6 grill sessions	Dust, scrub pad & soapy water
Burners	Every 5-6 grill sessions	Scrub pad & soapy water
Stainless Steel Surfaces	Twice per year	Stainless steel cleaner
Bottom Of Main Grill	Every 5-6 Grill Sessions	Scoop Out, Shop-Vac Excess Debris
Fire Pot	Every 2-3 Grill Sessions	Scoop Out, Shop-Vac Excess Debris
Cooking Grids	After Each Grill Session	Burn Off Excess, Brass Wire Brush
Flame Broiler	Every 5-6 Grill Sessions	Scrape Main Plate with Slider, Do Not Wash Clean
Front Shelf	After Each Grill Session	Scrub Pad & Soapy Water
Grease Bucket	After Each Grill Session	Scrub Pad & Soapy Water
Auger Feed System	When Pellet Bag is Empty	Allow Auger to Push Out Sawdust, Leaving Hopper Empty
Hopper Electric Components	Once A Year	Dust Out Interior, Wipe Fan Blades with Soapy Water
Air Intake Vent	Every 5-6 Grill Sessions	Dust, Scrub Pad & Soapy Water
Temperature Probe	Every 2-3 Grill Sessions	Scrub Pad & Soapy Water

USING WOOD PELLET FUEL

Clean-burning barbecue wood pellets generate about 8200 BTU's per pound with very little ash, a low moisture content (5-7%), and are carbon neutral. Barbecue wood pellets are produced by pure raw material (sawdust) being pulverized with a hammer-mill, and the material is pushed through a die with pressure. As the pellet is forced through the die, it is cut, cooled, screened, vacuumed, and then bagged for consumer use. Check with your local dealer for flavors available in your area.

- HICKORY BLEND**

- CHERRY BLEND**

- MESQUITE BLEND**

- COMPETITION BLEND**

- APPLE BLEND**

NOTE: Always store wood pellets in a dry area. Any contact or exposure to moisture will result in lower heat output or cause the pellets to swell and break apart. Use a moisture proof, resealable tub or bucket for proper storage.

COOKING GUIDELINES

Smoking and grilling styles of cooking can give you different results based on time and temperature. For best results, keep a record of what you cooked, at what temperature, how long you cooked for, and the results. Adjust to your taste for the next time. Practice makes perfect.

The culinary art of hot smoking refers to longer cooking times, but results in more natural wood flavor (and a sought-after *smoke ring*) on your meats. Higher cooking temperatures result in a shorter cooking time, locking in less smoke flavor.

TIP: For best results, allow time for meats to rest after cooking. This allows the natural juices to migrate back into the meat fiber, giving a much juicier, flavorful cut. Resting times can be as little as 3 minutes and up to 60 minutes, depending on the size of the protein.

STYLE OF COOKING	HOT SMOKING (Very Low)	ROAST (Low)	BAKING (Medium)	GRILL/BAKE (Medium/High)	SEAR (High)
Temp Range	93-135°C / 199-275°F	135-162°C / 275-323°F	162-190°C / 323-374°F	190-232°C / 374-449°F	232-260°C / 449-500°F

POULTRY	Size	Rare - 54°C / 130°F	Medium - 60°C / 140°F	Well Done - 77°C / 170°F
Turkey (<i>whole</i>)	4.5-5.0 kg / 10-11 lbs. 5.3-6.4 kg / 12-14 lbs. 6.8-7.7 kg / 15-17 lbs. 8.2-10.0 kg / 18-22 lbs. 10.4-11.3 kg / 23-25 lbs.			Grill 90 - 120 minutes Grill 110 - 140 minutes Grill 130 - 160 minutes Grill 140 - 170 minutes Grill 150 - 180 minutes
Chicken (<i>whole</i>)	1.36-2.26 kg / 3-5 lbs.			Grill 1 - 1.5 hours
Drumsticks, Breasts	0.45 - 0.86 kg / 1 - 1½ lbs.			Grill 30-60 minutes
Small Game Birds	0.45 - 0.86 kg / 1 - 1½ lbs.			Grill 30-45 minutes
Duck	1.36-2.26 kg / 3-5 lbs.			Roast or grill 2 - 2.5 hours

PORK	SIZE	Precooked to Reheat 60°C / 140°F	Medium 66°C / 150°F	Well Done 71°C / 160°F
Ham (<i>Fully Cooked & Boneless Portion, Smoked Picnic Whole & Bone-In</i>)	2.5 cm / 1" 1.36-1.81 kg / 3-4 lbs. 1.81-2.72 kg / 4-6 lbs. 2.26-3.62 kg / 5-8 lbs. 4.53-5.44 kg / 10-12 lbs.	12 minutes 50 minutes - 1 hour 1 - 2 hours 1 - 2½ hours 2 - 2¾ hours		
Loin Roast	1.36-1.81 kg / 3 - 4 lbs.		1 - 2 hours	2 - 3 hours
Rib Crown Roast	1.81-2.26 kg / 4 - 5 lbs.		1½ - 2 hours	2 - 3 hours
Chop (<i>loin, rib</i>)	1.9-2.5 cm / ¾" - 1" 3.1-3.9 cm / 1¼" - 1½"		10 - 12 minutes 14 - 18 minutes	
Tenderloin	1.9-2.5 cm / ¾" - 1"		20 - 30 minutes	30 - 45 minutes
Loin Roast (<i>boneless</i>)	1.36-2.26 kg / 3-5 lbs.		1¼ - 1¾ hours	1¾ - 2½ hours
Boston Butt (<i>Pork Shoulder</i>)	3.62-4.53 kg / 8-10 lbs.			93 - 98°C / 200 - 210°F Internal Temperature



BEEF	SIZE	HEAT	Rare - 54°C / 130°F	Medium - 60°C / 140°F	Well Done - 65°C / 150°F
Steak (<i>New York, Porter-house, Rib-eye, Sirloin, T-bone, or Tenderloin</i>)	1.9 cm / ¾" 2.5 cm / 1" 3.8 cm / 1½" 5 cm / 2"	High	Sear 8-10 minutes Sear 10-12 minutes Sear 10 minutes, grill 8-10 minutes Sear 10 minutes, grill 10-14 minutes		
Skirt Steak	0.6 - 12.7 cm / ¼" - ½"	High	Sear 5-7 minutes		
Flank Steak	0.45 - 0.86 kg / 1 - 1½ lbs., 1.9 cm / ¾"	Medium	Sear 4 minutes, grill 8-10 minutes		
Kabob	2.5 - 3.8 cm / 1 - 1½" cubes	Medium	Grill 10 - 12 minutes		
Tenderloin, whole	1.58 - 1.81 kg / 3½ - 4 lbs.	High/Medium	Sear 10 minutes, grill 15-20 minutes		
Ground Beef Patty	1.9 cm / ¾"	High/Medium	Sear 4 minutes, grill 4-6 minutes		
Rib-eye Roast (<i>boneless</i>)	2.26 - 2.72 kg / 5 - 6 lbs.	Medium	Grill 1½ - 2 hours		
Tri-tip Roast	0.9 - 1.13 kg / 2 - 2½ lbs.	High/Medium	Sear 10 minutes, grill 20-30 minutes		
Rib Roast	5.44 - 6.35 kg / 12 - 14 lbs.	Medium	2½ - 2¾ hours		
Veal Loin Chop	2.5cm / 1"	Medium	10 - 12 minutes direct		
Brisket	7.25 - 3.62 kg / 16 -18 lbs.	Hot Smoke	Cook until internal temperature reaches 91°C / 195°F		

LAMB	Size	Rare - 54°C / 130°F	Medium - 60°C / 140°F	Well Done - 71°C / 160°F
Roast (<i>fresh</i>)	2.26 - 2.72 kg / 5 - 6 lbs.		1 - 2 hours	
Rib Crown Roast	1.36-2.26 kg / 3-5 lbs.		1 - 1½ hours	1½ hours

SEAFOOD	Size	Rare - 54°C / 130°F	Medium - 60°C / 140°F	Well Done - 82°C / 180°F
Fish (<i>whole</i>)	0.5 kg / 1 lb. 0.9 - 1.1 kg / 2 - 2½ lbs. 1.4 kg / 3 lbs.			Grill 10 - 20 minutes Grill 20 - 30 minutes Grill 30 - 45 minutes
Fish (<i>filets</i>)	0.6-1.3 cm / ¼" - ½"			Grill 3 - 5 minutes, until flaky
Lobster Tail	0.15 kg / 5 oz. 0.3 kg / 10 oz.			Grill 5 - 6 minutes Grill 10 - 12 minutes

WILD GAME	Size	Rare - 60°C / 140°F	Medium - 71°C / 160°F	Well Done - 77°C / 170°F
Roast (<i>fresh</i>)	2.26 - 2.72 kg / 5 - 6 lbs.		1 - 1½ hours	1½ - 2 hours
Large Cuts (<i>fresh</i>)	3.62-4.53 kg / 8-10 lbs.		1 hours	1½ hours

TIPS & TECHNIQUES

Follow these helpful tips and techniques, passed on from Pit Boss® owners, our staff, and customers just like you, to become more familiar with your grill:

1. *FOOD SAFETY*

- Keep everything in the kitchen and cooking area clean. Use different platters and utensils for the cooked meat than the ones you used to prepare or transport the raw meat out to the grill. This will prevent cross contamination of bacteria. Each marinade or basting sauce should have its own utensil.
- Keep hot foods hot (above 60°C / 140°F), and keep cold foods cold (below 3°C / 37°F).
- A marinade should never be saved to use at a later time. If you are going to use it to serve with your meat, be sure to bring it to a boil before serving.
- Cooked foods should not be left out in the heat for more than an hour. Do not leave hot foods out of refrigeration for more than two hours.
- Defrost and marinate meats by refrigeration. Do not thaw meat at room temperature or on a counter top. Bacteria can grow and multiply rapidly in warm, moist foods. Wash hands thoroughly with hot, soapy water before starting any meal preparation and after handling fresh meat, fish and poultry.

2. *COOKING PREPARATION*

- Be prepared, or ***Mise en Place***. This refers to preparing the cooking recipe, fuel, accessories, utensils, and all ingredients you require at grill side before you start cooking. Also, read the entire recipe, start to finish, before lighting the grill.
- A BBQ floor mat is very useful. Due to food handling accidents and cooking spatter, a BBQ floor mat would protect a deck, patio, or stone platform from the possibility of grease stains or accidental spills.

3. *GRILLING TIPS AND TECHNIQUES*

- To infuse more smoke flavor into your meats, cook longer and at lower temperatures (also known as ***low and slow***). Meat will close its fibers after it reaches an internal temperature of 49°C / 120°F. Misting, or mopping, are great ways to keep meat from drying out.
- While searing your meats, cook with the lid down. Always use a meat thermometer to determine the internal temperature of the foods you are cooking. Smoking foods with hardwood pellets will turn meats and poultry pink. The band of pink (after cooking) is referred to as a ***smoke ring*** and is highly prized by outdoor chefs.
- Sugar-based sauces are best applied near the end of cooking to prevent burning and flare-ups.
- Leave open space between the foods and the extremities of the barrel for proper heat flow. Food on a crowded grill will require more cooking time.
- Use a set of long-handled tongs for turning meats, and a spatula for turning burgers and fish. Using a piercing utensil, such as a fork, will prick the meat and allow the juices to escape.
- Foods in deep casserole dishes will require more time to cook than a shallow baking pan.
- It's a good idea to put cooked food onto a heated platter, keeping the food warm. Red meats, such as steak and roasts, benefit from resting for several minutes before serving. It allows the juices that were driven to the surface by heat to ease back to the center of the meat, adding more flavor.

TROUBLESHOOTING

Proper cleaning, maintenance and the use of clean, dry, quality fuel will prevent common operational problems. When your Pit Boss® grill is operating poorly, or on a less frequent basis, the following troubleshooting tips may be helpful. For FAQ, please visit www.pitboss-grills.com. You may also contact your local Pit Boss® authorized dealer or contact Customer Service for assistance.

WARNING: Always disconnect the electrical cord prior to opening the grill for any inspection, cleaning, maintenance or service work. Ensure the grill is completely cooled to avoid injury.

WOOD PELLET GRILL

PROBLEM	CAUSE	SOLUTION
No Power Lights On The Control Board	Not Connected To Power Source	Ensure unit is plugged into a working power source. Reset breaker. Ensure GFCI is a minimum 10 Amp service (see Electric Wire Diagram for access to electric components) Ensure all wire connections are firmly connected and dry.
	Fuse Blown On The Control Board	Remove hopper access panel (see Electric Wire Diagram for diagram), press in plastic tabs holding the control board in place and carefully pull controller inside the hopper to release controller. Check the fuse for a broken wire or if the wire has turned black. If yes, fuse needs to be manually replaced.
	The GFCI outlet has been tripped.	Remove hopper access panel (see Electric Wire Diagram for diagram), and ensure all wire connections are firmly connected and dry. Ensure GFCI is a minimum 10 Amp service.
	Faulty Control Board	Control Board needs to be replaced. Contact Customer Service for a replacement part.
Fire in Fire Pot Will Not Light	Auger Not Primed	Before the unit is used for the first time or anytime the hopper is completely emptied out, the auger must be primed to allow pellets to fill the auger tube. If not primed, the ignitor will timeout before the pellets reach the fire pot. Follow Hopper Priming Procedure .
	Auger Motor Is Jammed	Remove cooking components from the main barrel. Press the Power Button to turn the unit on and inspect the auger feed system. Visually confirm that the auger is dropping pellets into the fire pot. If not operating properly, call Customer Service for assistance or a replacement part.
	Ignitor Failure	Remove cooking components from the main barrel. Press the Power Button to turn the unit on and inspect the ignitor. Visually confirm that the ignitor is working by placing your hand above the fire pot and feeling for heat. Visually confirm that the ignitor is protruding approximately 13mm / 0.5 inches in the fire pot. If not operating properly, call Customer Service for assistance or a replacement part.
Readout of actual temperature will not adjust	Grill probe dirty	Follow care and maintenance instructions.
	Grill probe is broken	Grill probe needs to be replaced. Contact customer service.
Grill Will Not Achieve Or Maintain Stable Temperature	Insufficient Air Flow Through Fire pot	Check fire pot for ash build-up or obstructions. Follow Care and Maintenance instructions for ash build-up. Check fan. Ensure it is working properly and air intake is not blocked. Follow Care and Maintenance instructions if dirty. Check auger motor to confirm operation, and ensure there is no blockage in the auger tube. Once all the above steps have been done, start the grill, set temperature to SMOKE and wait for 10 minutes. Check that the flame produced is bright and vibrant.
	Lack Of Fuel, Poor Fuel Quality, Obstruction In Feed System	Check hopper to check that fuel level is sufficient, and replenish if low. Should the quality of wood pellets be poor, or the length of the pellets too long, this may cause an obstruction in the feed system. Remove pellets and follow Care and Maintenance instructions.
	Grill Probe	Check status of grill probe. Follow Care and Maintenance instructions if dirty. Contact Customer Service for a replacement part if damaged.



Grill Produces Excess Or Discolored Smoke	Grease Build-Up	Follow Care and Maintenance instructions.
	Wood Pellet Quality	Remove moist wood pellets from hopper. Follow Care and Maintenance instructions to clean out. Replace with dry wood pellets.
	Fire pot Is Blocked	Clear fire pot for moist wood pellets. Follow Hopper Priming Procedure .
	Insufficient Air Intake For Fan	Check fan. Ensure it is working properly and air intake is not blocked. Follow Care and Maintenance instructions if dirty.
Frequent Flare-Ups	Cooking Temperature	Attempt cooking at a lower temperature. Grease does have a flash point. Keep the temperature under 176°C / 350°F when cooking highly greasy food.
	Grease Build-Up On Cooking Components	Follow Care and Maintenance instructions.
ErP Error Code	Unit Not Turned Off Properly When Last Connected To Power	Safety feature prevents an automatic restart. Press the Power Button to turn the unit off, wait two minutes, then press the Power Button to turn the unit on again. Turn to desired temperature. If error code still displayed, contact Customer Service.
	Power Outage While Unit In Operation	
ErH Error Code	The Unit Has Overheated, Possibly Due To Grease Fire Or Excess Fuel	Press the Power Button to turn the unit off, and allow grill to cool. Follow Care and Maintenance instructions. After maintenance, remove pellets, and confirm positioning of all component parts. Once cooled, press the Power Button to turn the unit on, then select desired temperature. If error code still displayed, contact Customer Service.
ErL Error Code	Grill fails to perform start-up cycle	Check proper positioning of cooking components. Check hopper for sufficient fuel or if there is an obstruction in the feed system. Remove pellets and follow Care and Maintenance instructions. Check grill probe. Confirm if actual temperature is correct and accurate. Follow Care and Maintenance instructions if dirty. Check ignitor positioning and that it is heating up properly. In extreme cold, the grill may require a second start. Turn grill off, wait, then turn on again. Check fan. Ensure it is working properly. Follow Care and Maintenance instructions if dirty.
	Grill will not stay lit	
Err Error Code with PELLET Error Code Blinking	Lack Of Fuel, Poor Fuel Quality, Obstruction In Feed System, Jammed Auger	Check hopper to check that fuel level is sufficient and replenish if low. Should the quality of wood pellets be poor, or the length of the pellets too long, this may cause an obstruction in the feed system. Remove pellets and follow Care and Maintenance instructions.
Err Error Code with IGNITOR Error Code Blinking	Ignitor is not working properly, not making a connection	Remove cooking components from the main barrel. Press the Power Button to turn the unit on and inspect the igniter. Visually confirm that the igniter is working by placing your hand above the burn grate and feeling for heat. Visually confirm that the igniter is aligned with the hole in the burn grate, and open to light the pellets. If not operating properly, call Customer Service for assistance or a replacement part.
	Ignitor failure	Igniter needs to be replaced. Contact Customer Service for replacement part.
Err Error Code with AUGER Error Code Blinking	Auger not primed	Before the unit is used for the first time or anytime the hopper is completely emptied out, the auger must be primed to allow pellets to fill the burn pot. If not primed, the igniter will timeout before the pellets ignite. Follow Hopper Priming Procedure .
	Auger motor is jammed, not making connection	Remove cooking components from the main barrel. Press the Power Button to turn the unit on and inspect the auger feed system. Visually confirm that the auger is dropping pellets into the burn pot. If not operating properly, call Customer Service for assistance or a replacement part.
Err Error Code with FAN Error Code Blinking	Fan is not working properly, not making a connection	Check fan. Ensure it is working properly and air intake is not blocked. Remove hopper access panel (see Electric Wire Diagram for diagram), and check for any damage to the fan wires. Follow Care and Maintenance instructions if fan blades are dirty.

PROPANE GAS GRILL

PROBLEM	CAUSE	SOLUTION
Grill will not light	The ignition wire came off the electrical igniter/valve.	Reconnect the ignition wire to the electrical igniter/valve.
	The ignition wire is broken	Contact Customer Service for assistance or a replacement part.
	The battery has died	Install a new battery.
	New battery doesn't work	Check the battery polarity. The negative (-) side of the battery goes in first.
	The electrode tip does not produce sparks at the burner port	Adjust the electrode.
	No gas supplied	Check the regulator valve. Check connection for leak.
Excessive flare-up	Grilling fatty meats	Grill fatty meats when the grids are cold, and the knobs are on the "LOW" setting. Move the meats to the warming rack if flare-up continues.
	Cooking temperature	Attempt cooking at a lower temperature. Grease does have a flash point. Keep the temperature under 176°C / 350°F when cooking highly greasy food.
	Water sprayed on gas flames	Do not spray water on gas flames.
Burner blows out	Gas tank is empty	Refill the gas tank.
	Burner is not aligned with the control valve	Install the burner correctly.
	Gas supply is not sufficient	Check the gas supply hose and make sure there are no leaks and no knots.
Low heat when on "HIGH"	Ports are blocked	Clear ports of any obstructions.
	Gas tank has run out	Refill the gas tank.

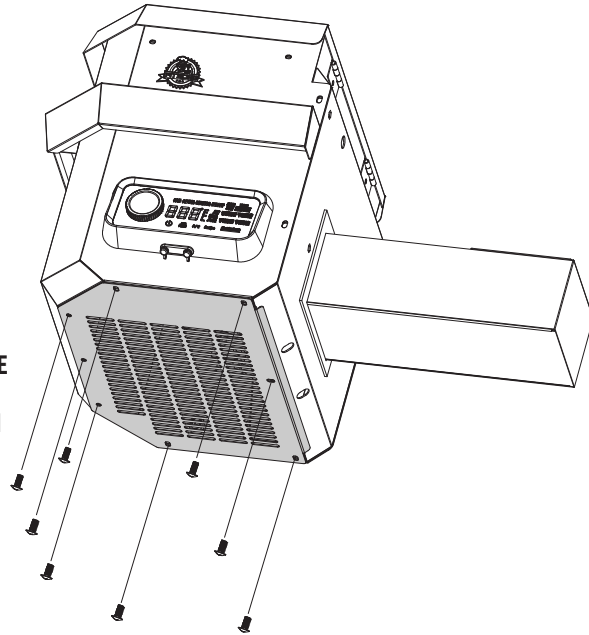
ELECTRICAL WIRE DIAGRAM

The Digital Control Board system is an intricate and valuable piece of technology. For protection from power surges and electrical shorts, consult the wire diagram below to ensure your power source is sufficient for the operation of the unit.

PB – ELECTRIC REQUIREMENTS 110-120V, 60HZ, 250W, 3-PRONG GROUNDED PLUG

NOTE: Electrical components, passed by product safety testing and certification services, comply with a testing tolerance of $\pm 5-10$ percent.

LOCATE AND REMOVE
THE EIGHT SCREWS
OF ACCESS PANEL ON
UNDERSIDE OF UNIT

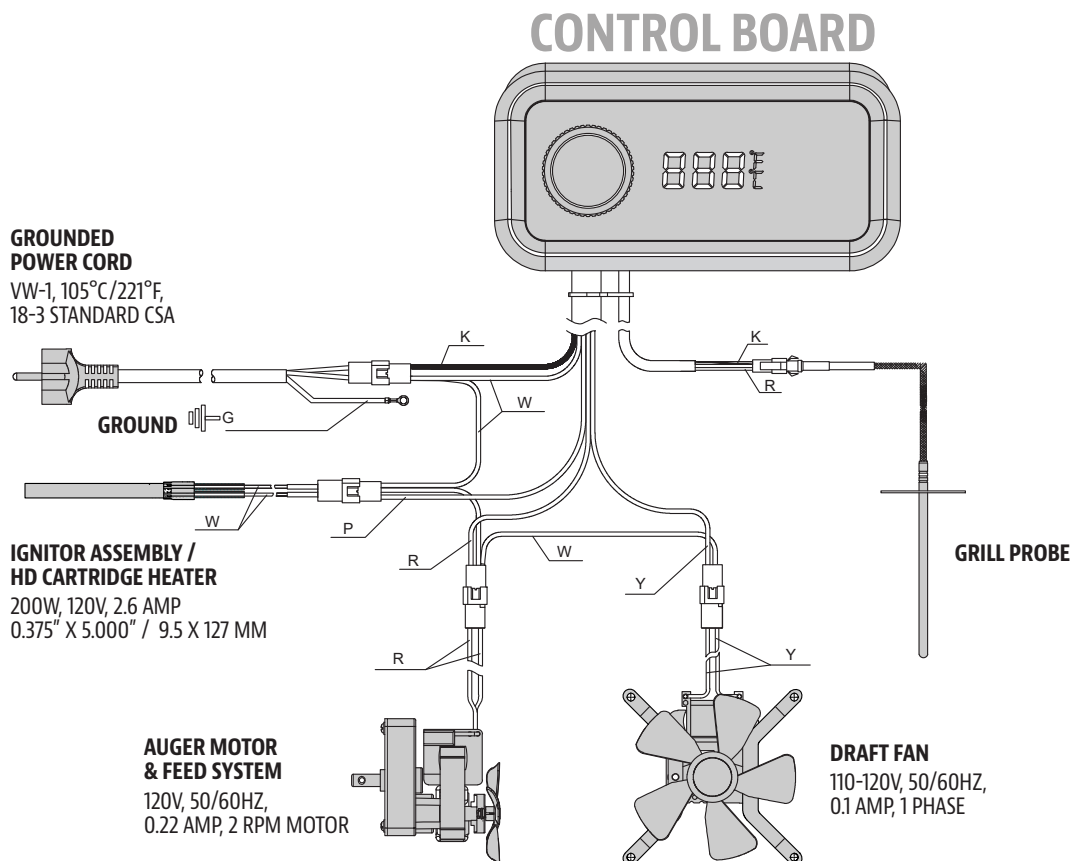


ENGLISH

**FUEL INPUT
RATING:**
2.0 KG/H
(4.4 LB/H)

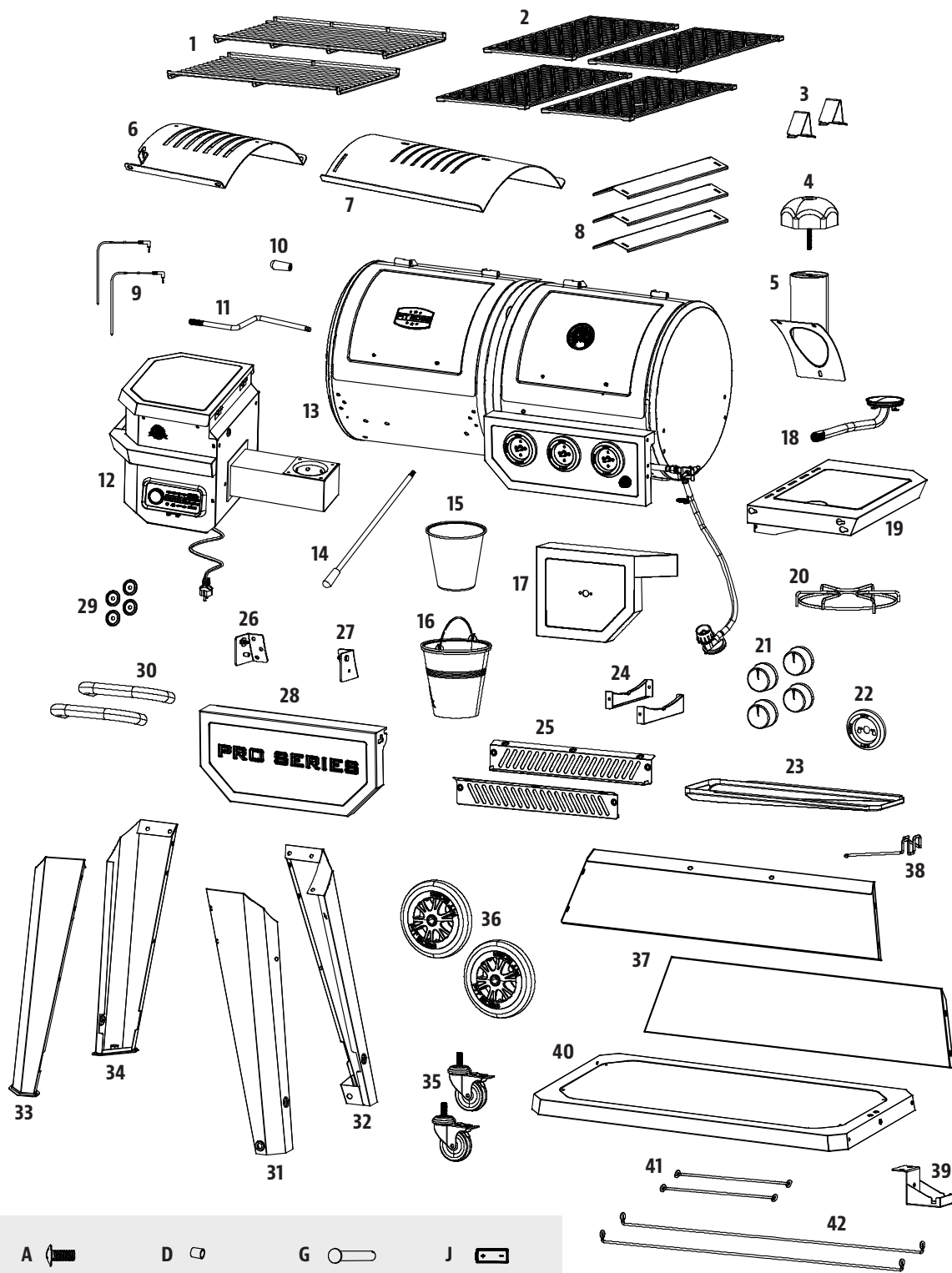
INDEX

K : BLACK
W : WHITE
R : RED
Y : YELLOW
P : PURPLE
O : ORANGE
G : GREEN



GRILL REPLACEMENT PARTS

ENGLISH



A	D	G	J
B	E	H	
C	F	I	



GRILL REPLACEMENT PARTS

Part#	Description
1	Porcelain-Coated Steel Upper Cooking Rack (x2)
2	Porcelain-Coated Cast-Iron Cooking Grid (x4)
3	Lid Stopper (x2)
4	Chimney Cap (x1)
5	Chimney Stack (x1)
6	Flame Broiler Slider (x1)
7	Flame Broiler Main Plate (x1)
8	Heat Tent (x3)
9	Meat Probe (x2)
10	Flame Broiler Adjusting Bar Handle (x1)
11	Flame Broiler Adjusting Bar (x1)
12	Hopper Assembly (x1)
13	Main Barrel (x1)
14	Smoke Adjusting Bar (x1)
15	Grease Bucket Liner (x1)
16	Grease Bucket (x1)
17	Side Burner Panel (x1)
18	Side Burner (x1)
19	Side Burner Shelf (x1)
20	Side Burner Grate (x1)
21	Burner Knob (x4)
22	Burner Knob Bezel (x1)
23	Grease Tray (x1)
24	Grease Tray Support A (x2)
25	Grease Tray Support B (x2)
26	Front Shelf Bracket /Left (x1)
27	Front Shelf Bracket /Right (x1)
28	Front Shelf (x1)
29	Lid Handle Bezel (x4)
30	Lid Handle (x2)
31	Support Leg / Front (x1)
32	Support Leg / Back (x1)
33	Support Leg for Caster / Front (x1)
34	Support Leg for Caster / Back (x1)
35	Locking Caster (x2)
36	Wheel (x2)

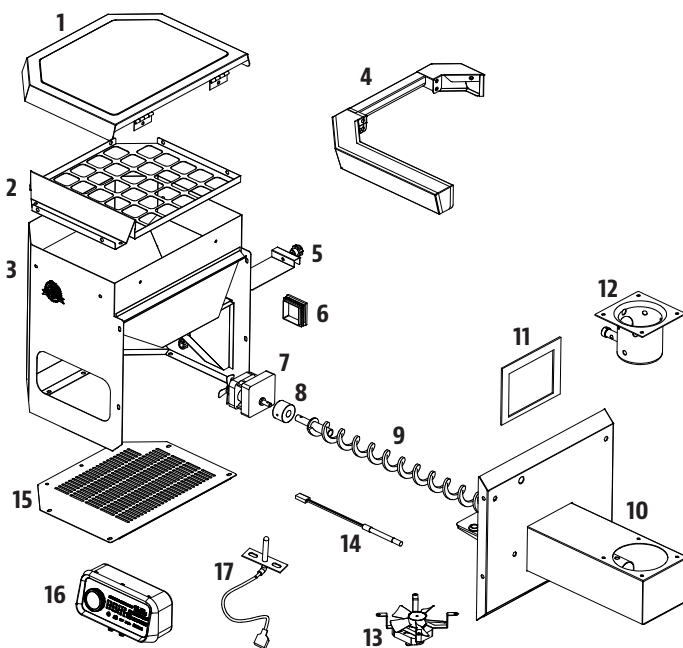
Part#	Description
37	Cart Front / Back Panel (x2)
38	LP Gas Cylinder Wire Retainer (x1)
39	LP Gas Cylinder Support Bracket (x1)
40	Cart Bottom Shelf (x1)
41	Cart Bar A (x2)
42	Cart Bar B (x2)
A	Screw (x58)
B	Washer (x51)
C	Locking Washer (x49)
D	Bushing (x2)
E	Wheel Cotter Pin (x2)
F	Wheel Washer (x2)
G	Wheel Axle Pin (x2)
H	Screw (x2)
I	Nut (x5)
J	AA Battery (x1)

NOTE: Due to ongoing product development, parts are subject to change without notice.

HOPPER REPLACEMENT PARTS

ENGLISH

Part#	Description
1-PSH	Hopper Lid (x1)
2-PSH	Hopper Safety Screen (x1)
3-PSH	Hopper Box Housing (x1)
4-PSH	Hopper Handle (x1)
5-PSH	Drop Chute Plate (x1)
6-PSH	Drop Chute Cover (x1)
7-PSH	Auger Motor (x1)
8-PSH	Nylon Bushing (x1)
9-PSH	Auger Flighting Assembly (x1)
10-PSH	Auger Box Housing (x1)
11-PSH	Hopper Housing Gasket (x1)
12-PSH	Fire Pot (x1)
13-PSH	Combustion Fan (x1)
14-PSH	Ignitor (x1)
15-PSH	Hopper Access Panel (x1)
16-PSH	Control Board (x1)
17-PSH	Grill Probe (x1)



WARRANTY

CONDITIONS

All gas and wood pellet grills by Pit Boss®, manufactured by Dansons, carry a limited warranty from the date of sale by the original owner. The warranty coverage begins on the original date of purchase and proof of date of purchase, or copy of original bill of sale, is required to validate the warranty. Customers will be subject to parts, shipping, and handling fees if unable to provide proof of the purchase or after the warranty has expired.

Dansons carries a five (5) year warranty against defects and workmanship on all parts, and five (5) years on electrical components. Dansons warrants that all part(s) are free of defects in material and workmanship, for the length of use and ownership of the original purchaser. Warranty does not cover damage from wear and tear, such as scratches, dents, dings, chips or minor cosmetic cracks. These aesthetic changes of the grill do not affect its performance. Repair or replacement of any part does not extend past the limited warranty beyond the five (5) years from date of purchase.

During the term of the warranty, Dansons' obligation shall be limited to furnishing a replacement for defective and/or failed components. As long as it is within the warranty period, Dansons' will not charge for repair or replacement for parts returned, freight prepaid, if the part(s) are found by Dansons' to be defective upon examination. Dansons' shall not be liable for transportation charges, labor costs, or export duties. Except as provided in these conditions of warranty, repair or replacement of parts in the manner and for the period of time mentioned heretofore shall constitute the fulfillment of all direct and derivate liabilities and obligations from Dansons to you.

Dansons takes every precaution to utilize materials that retard rust. Even with these safeguards, the protective coatings can be compromised by various substances and conditions beyond Dansons' control. High temperatures, excessive humidity, chlorine, industrial fumes, fertilizers, lawn pesticides and salt are some of the substances that can affect metal coatings. For these reasons, the warranty does not cover rust or oxidization, unless there is loss of structural integrity on the grill component. Should any of the above occur, kindly refer to the care and maintenance section to prolong the lifespan of your unit. Dansons recommends the use of a grill cover when the grill is not in use.

This warranty is based on normal domestic use and service of the grill and neither limited warranty coverage's apply for a grill which is used in commercial applications.

EXCEPTIONS

There is no written or implied performance warranty on Pit Boss® grills, as the manufacturer has no control over the installation, operation, cleaning, maintenance or the type of fuel burned. This warranty will not apply nor will Dansons assume responsibility if your appliance has not been installed, operated, cleaned and maintained in strict accordance with this owner's manual. Any use of gas not outlined in this manual may void the warranty. The warranty does not cover damage or breakage due to misuse, improper handling or modifications.

Neither Dansons, or authorized Pit Boss® dealer, accepts responsibility, legal or otherwise, for the incidental or consequential damage to the property or persons resulting from the use of this product. Whether a claim is made against Dansons based on the breach of this warranty or any other type of warranty expressed or implied by law, the manufacturer shall in no event be liable for any special, indirect, consequential or other damages of any nature whatsoever in excess of the original purchase of this product. All warranties by manufacturer are set forth herein and no claim shall be made against manufacturer on any warranty or representation.

Some states do not allow the exclusion or limitation of incidental or consequential damages, or limitations of implied warranties, so the limitations or exclusions set forth in this limited warranty may not apply to you. This limited warranty gives you specific legal rights and you may have other rights, which vary from state to state.

ORDERING REPLACEMENT PARTS

To order replacement parts, please contact your local Pit Boss® dealer or visit our online store at: www.pitboss-grills.com

CONTACT CUSTOMER SERVICE

If you have any questions or problems, contact Customer Service, Monday through Sunday, 4am - 8pm PST (EN/FR/ES).

service@pitboss-grills.com | Toll-Free: 1-877-303-3134 | Toll-Free Fax: 1-877-303-3135

WARRANTY SERVICE

Contact your nearest Pit Boss® dealer for repair or replacement parts. Dansons requires proof of purchase to establish a warranty claim; therefore, retain your original sales receipt or invoice for future reference. The serial and model number of your Pit Boss® can be found inside the lid of the hopper. Record numbers below as the label may become worn or illegible.

MODEL

SERIAL NUMBER

DATE OF PURCHASE

AUTHORIZED DEALER



RECIPES

CLASSIC BRISKET

Makes 4 - 6 Servings

A whole beef brisket weighs 7.25-3.62 kg / 16-18 pounds and has three separate parts: the cap, the point, and the flat. Use the flat section, as it is lean, compact, and creates nice slices when carved.

Ingredients:

1	Beef Brisket <small>2.2-3.6 kg / 5-8 lbs, Layer of fat is at least 0.6 cm / ¼" thick</small>
1 bottle	Prepared Yellow Mustard
75 ml / 5 tbsp	Seasoning
1 bottle	Chili Sauce
1 pack	Dry Onion Soup Mix
375 ml / 1½ c.	Beef Broth
40 ml / 8 tsp	Black Pepper

Suggested Wood Pellet Flavor: Hickory / Competition

Instructions:

- Lay out a large piece of plastic wrap on your working station. Large enough to encase the brisket. Using a sharp knife, cut a single cut on the underside of the brisket against the grain. This will aid in slicing the finished brisket, against the grain which results in a tender, melt-in-your-mouth cut. The underside is the non-fat cap side. Slather on a generous amount of prepared mustard. Rub lightly onto the entire area. Sprinkle a generous amount of seasoning onto the mustard, then again light rub into the meat. Flip the brisket over and repeat the process. Wrap the prepared brisket in the plastic wrap and refrigerate 2 to 4 hours, or overnight.
- Prepare the basting mixture. Mix the chili sauce, dry onion soup mix, beef broth, and black pepper. Set aside.
- Preheat grill, then reduce to low temperature.**
- Place the brisket, fat side up, in the center of the grill. Close the grill lid. Slow cook until tender, about 10 to 12 hours.
- Baste the brisket with the basting mixture every half hour for the first 3 hours.
- Continue the slow cooking process until the internal temperature reaches 60-66°C / 140-150°F. Remove from grill. **Turn grill up to 176°C / 350°F.**
- Place the brisket into a pouch of double-layered aluminum foil. Pour 50 ml / ¼ cup of basting mixture over the brisket in the pouch. Close the pouch shut.
- Lay foil pouch carefully on the grill. Steam for 1 to 1½ hours.
- Open the pouch, and use a meat thermometer; internal temperature should reach 91°C / 195°F. The brisket should be firm but be able to pull the meat apart with your fingers.
- Transfer the meat to a cutting board, and let it rest for 10 minutes. Thinly slice across the grain to serve.

SAUSAGE WITH MANGO CHUTNEY

Makes 4 - 6 Servings

Ingredients:

2	Mangoes (finely chopped)
0.9 kg / 2 lbs	Italian Sausage (hot or mild)
10 ml / 2 tsp	Fresh Parsley (minced)
15 ml / 1 tbsp	Red Pepper (diced)
10 ml / 2 tsp	Honey
½	Red Onion (diced)
½ bulb	Fennel (diced)
5 ml / 1 tsp	Lime Juice
Pinch	Salt

Suggested Wood Pellet Flavor: Hickory / Competition

Instructions:

- Preheat grill, then reduce to LOW-MEDIUM (82-107°C / 180-225°F)**
- Place sausages on grill, spaced evenly apart. Rotate every ten minutes so all sides are grilled.
- Combine all remaining ingredients to make the chutney. Chill until ready to serve.
- Slice grilled sausage diagonally, then serve with side of chutney.

BLUE CHEESE STEAK

Makes 4 Servings

Ingredients:

4	Steak, T-bone or Rib-Eye <small>2.54cm / 1" thick 0.28-0.62 kg / 10-12 ounces each</small>
113 g / 4 oz.	Blue Cheese (crumbled)
50 ml / ¼ c.	Green Onion (thinly sliced)

Suggested Wood Pellet Flavor: Hickory / Competition / Whiskey

Instructions:

- Preheat grill, then leave or reduce slightly (204-260°C / 400-500°F)**
- Trim excess fat from meat and discard.
- Place steaks on grill. Sear each side, flipping every few minutes.
- Reduce heat to 135°C/275°F or 163°C/ 325°F.** Flip the steaks a final time. Combine blue cheese and onions. Sprinkle over steaks, close grill lid, and grill until desired doneness. Check doneness by cutting a slit in meat near the bone.

Variation: REVERSE-SEAR METHOD

Turn grill to low temperature, then place steaks on grill. Smoke at 82°C / 180°F for 5 to 15 minutes. Once smoked to desired doneness, turn grill up to HIGH and sear to your liking.

BBQ RIBS

Makes 4 - 6 Servings

Ingredients:

1.3-1.8 kg / 3-4 lbs	Ribs <small>Meaty pork spareribs / loin back ribs</small>
45 ml / 3 tbsp	Oil
5 ml / 1 tsp	Salt
5 ml / 1 tsp	Pepper
2 whole	Onions (chopped)
30 ml / 2 tbsp	Vinegar
30 ml / 2 tbsp	Worcestershire sauce
125 ml / ½ c.	Apple Juice or Soda
5 ml / 1 tsp	Paprika
5 ml / 1 tsp	Chili Powder

Suggested Wood Pellet Flavor: Hickory / Competition / Apple

Instructions:

1. **Preheat grill, then reduce to low temperature (82-107°C / 180-225°F).**
2. Prepare ribs by peeling off the tough layer of skin on the back side. Season the ribs with salt and pepper, to taste.
3. Place ribs on grill, spaced evenly apart. Smoke for 3 to 4 hours.
4. Mix remaining ingredients in a saucepan and bring to a boil. Let sauce boil for five minutes to thicken.
5. Remove from grill. **Turn grill up to 176°C / 350°F.**
6. Place each rack into a pouch of double-layered aluminum foil. Pour 50 ml / ¼ cup of sauce over the ribs in the pouch. Close the pouch shut.
7. Lay foil pouch carefully on the grill. Steam for 1 to 1½ hours.
8. Open the pouch. The meat will have exposed the rib ends and be very tender. **Turn grill up to HIGH (260°C / 500°F).** Place ribs back on the grill and baste with sauce on both sides of ribs.
9. Once the sauce is caramelized and the ribs are sticky, remove from grill and serve.

Variation: MEMPHIS-DRY METHOD

Turn grill up to HIGH (260°C / 500°F). Place ribs back on the grill and season with a dry seasoning or rub. Sear the ribs, remove from grill and serve.

MOM'S JUICY HAMBURGERS

Makes 4 - 6 Servings

Ingredients:

900 g / 2 lbs	Ground Beef or Buffalo
15 ml / 3 tsp	Seasoning
2 whole	Eggs, room temperature
500 ml / 2 c.	Bread Crumbs (Dried, Fine)
6 - 8	Hamburger / Kaiser Buns
6 - 8 slices	Cheese (slices, thin)
30 ml / 2 tbsp	Butter

Suggested Wood Pellet Flavor: Hickory / Competition

Instructions:

1. **Preheat grill, then leave or reduce slightly (204-260°C / 400-500°F)**
2. Combine meat, seasoning, eggs and bread crumbs in a mixing bowl and blend together. Divide the meat into portions, and gently shape into patties to fit the buns. Make patties about 1.9 cm / ¾ inches thick.
3. Place patties on grill. Grill six minutes per side, taking care not to press down on the meat. Test for doneness, using a meat thermometer; internal temperature should reach 71°C / 160°F. Meat may turn pink on the outside due to smoking.
4. In the last few minutes of grilling, brush buns with butter and lightly toast on the grill.
5. Remove buns, burgers when done. Top the burgers with cheese to melt, and serve.

TIP: A slightly fattier meat makes for a juicier burger. For a lean alternative, try ground buffalo.

SIRLOIN STEAK WITH SWEET ONION & PEPPERS

Makes 4 Servings

Ingredients:

2	Steak, Top Sirloin <small>1" thick, cut into 4 pieces. 0.45kg/1 lb</small>
10 ml / 2 tsp	Seasoning or rub
5 medium	Sweet Onions (coursed chopped)
2 whole	Bell Peppers (all kinds, chopped)
60 ml / 4 tbsp	Soy Sauce
60 ml / 4 tbsp	Olive Oil
Dash	Salt

Suggested Wood Pellet Flavor: Hickory / Mesquite / Whiskey

Instructions:

1. **Preheat grill, then reduce slightly to 218°C / 425°F.**
2. Season both sides of the steak with the seasoning or rub. Cover and refrigerate at least 1 hour.
3. Place onions and bell peppers into a covered tray of aluminum foil. Mix soy sauce and olive oil together, then drizzle over tray. Sprinkle with salt. Seal the foil packet completely.
4. Place the foil on the grill for 10 - 15 minutes or until vegetables are soft and tender. Remove from grill, and keep covered.
5. Place steaks on grill. Sear each side, flipping every few minutes.
6. Grill until desired doneness, then remove from grill. Place on serving plates and top with warm vegetables.



CORNISH HENS WITH MANDARIN RICE

Makes 4 Servings

Ingredients:

4 whole Cornish Game Hens
750 ml / 3 c. Mandarin Rice
15 ml / 1 tbsp Olive Oil
5 ml / 1 tsp Smoked Paprika
250 ml / 1 c. Orange Marmalade

Mandarin Rice

59 ml / ¼ c. Almonds (slivered)
30 ml / 2 tbsp Celery (chopped)
1 small Green Onion (sliced, thin)
30 ml / 2 tbsp Butter
1 can Mandarin Orange Segments (drained)
0.4 kg / 11oz.
30 ml / 2 tbsp Orange Juice (concentrate)
500 ml / 2 c. Cooked Rice

Suggested Wood Pellet Flavor: Hickory / Mesquite / Competition

Instructions:

1. Prepare mandarin rice by cooking almonds, celery, green onion, and butter in small skillet until almonds are lightly toasted. Combine mixture with orange segments, orange juice and cooked rice in a bowl, and set aside.
2. **Preheat grill, then reduce to MEDIUM (135-177°C / 275-350°F).**
3. Rinse Cornish hens and pat dry with paper towel. Stuff with rice mixture and tie legs with a string. Brush Cornish hens lightly with olive oil, and sprinkle with paprika.
4. Place Cornish hens on grill. Grill for 45 to 60 minutes, until the drumstick meat is tender when pressed.
5. Baste with orange marmalade during last 20 minutes of cooking time. Remove from grill and arrange on serving platter.

TIP: If you want to catch the drippings to make gravy, place the hens in a foil pan and add enough water or juice to cover the bottom about 0.6 cm / ¼ inch thick.

SHRIMP KABOBS WITH CURRY BUTTER

Makes 4 Servings

Ingredients:

900g / 2 lbs Shrimp (peeled, deveined)
125ml / ½ c. Curry Butter
15 ml / 1 tbsp Olive Oil
1 Lime
Fresh Dill

Curry Butter

125 ml / ½ c. Butter
30 ml / 2 tbsp Onion (chopped)
15 ml / 1 tbsp Fresh Dill
5 ml / 1 tsp Curry Powder
Dash Garlic Powder

Suggested Wood Pellet Flavor: Mesquite / Competition

Instructions:

1. Soak wooden skewers in water for 1 hour.
2. **Preheat grill, then reduce to 135-163°C / 275-325°F.**
3. Prepare curry butter by melting butter in small pan over medium-high heat. Stir in onion, dill, curry powder and garlic powder. Cook for five minutes, then remove from heat.
4. Thread shrimp on skewers, leaving space between pieces. Lightly brush with olive oil.
5. Place skewers on grill, and grill until shrimp are white and tender. Shrimp grill quickly; take care not to overcook. Turn skewers of shrimp once and brush with curry butter halfway through cooking time.
6. Arrange grilled shrimp on serving plate. Garnish with lime wedge and dill.

TIP: To skewer shrimp so that it is straight, hold it in a stretched-out position with one hand. Start at the tail end and insert a bamboo or wooden skewer into the shrimp so that it runs the full length. Keep unbending the shrimp with your fingers as you go.

BACON BASIL SHRIMP ON A STICK

Makes 4 - 6 Servings

Ingredients:

24 large Shrimp (peeled, deveined)
24 whole Fresh Basil Leaves
24 slices Bacon (sliced thin)

Suggested Wood Pellet Flavor: Cherry / Apple

Instructions:

1. Soak wooden skewers in water for 1 hour.
2. **Preheat grill, then reduce to 135-163°C / 275-325°F.**
3. Wrap a piece of shrimp and basil leaf in a thin slice of bacon, then thread onto skewer, leaving space between pieces.
4. Place skewers on grill, and cook until shrimp are white and tender, and the bacon is nicely browned. Shrimp grill quickly; take care not to overcook. Turn skewers often to avoid burning.
5. Remove from heat and serve.

WHOLE SMOKED TURKEY

Feeds a small army - leftovers are great!

Ingredients:

1 whole Turkey (thawed)
9-11.3 kg / 20-25 lbs
60 ml / 4 tbsp Seasoning
5 ml / 1 tsp Smoked Paprika
45 ml / 3 tbsp Butter

Suggested Wood Pellet Flavor: Hickory / Cherry / Competition

Instructions:

- Preheat grill, then reduce to 135-177°C / 275-350°F.**
- Remove the turkey neck and giblets. Rinse turkey thoroughly and pat the exterior dry with paper towel.
- In a small bowl, mix butter, ¼ of the seasoning and paprika together to form a paste. Gently insert your hand between the outer skin and the breast meat. Rub paste into the meat.
- With the remaining seasoning, rub the outer surface of the turkey.
- Place turkey, breast side up, in center of grill, and cook until turkey is tender and golden brown; internal temperature should reach 82°C / 180°F in the thickest part of the thigh and 77°C / 170°F in the breast.
- Remove turkey, cover with foil and let rest for 10 minutes before carving.

TIP: If you want to catch the drippings to make gravy, place the turkey on a rack inside a large aluminum foil roast pan. Add 0.6 cm / ¼" of water or broth and some seasoning into the bottom of the pan. Monitor the juices, as you may need to add more during the roasting period.

BEER CAN CHICKEN

Makes 2 - 6 Servings

Ingredients:

1 whole Chicken
1.8-2.7 kg / 4-6 lbs
1 can Beer, any kind
45 ml / 3 tbsp Seasoning

Suggested Wood Pellet Flavor: Hickory / Apple / Competition

Instructions:

- Preheat grill, then reduce to 135-177°C / 275-350°F.**
- Open can, and pour half of the beer into a glass to drink. Leave half in the can, and make a few more holes in the top of the can to increase ventilation. Add a ¼ of the seasoning to the can.
- Rinse chicken thoroughly and pat the exterior dry with paper towel. Add a ¼ of the rub inside the cavity of the chicken. With the remaining seasoning, rub the outer surface of the chicken.
- Insert the upright can into the cavity of the chicken, place on the grill, and close the grill lid. Cook until the chicken is golden

brown and crispy; internal temperature should reach 74°C/165°F.

- Using tongs, carefully remove the upright chicken and can from the grill. Let rest for five minutes, then carefully remove the can from the cavity of the chicken. Be cautious not to spill, as the liquid will be hot.
- Carve chicken and serve.

Variation: NON- ALCOHOLIC, BEER-CAN CHICKEN

Using the same instructions as above, but substitute the can of beer with a can of your favorite non-diet cola, fruit juice, or water with additional seasoning.

EASY RANCH CHICKEN SATAY

Makes 2 - 6 Servings

Ingredients:

450g / 1 lb Chicken Breasts or Thighs (boneless, skinless)
112 ml / ½ c. Prepared Ranch or Italian Salad Dressing
Dash Salt
Dash Pepper

Suggested Wood Pellet Flavor: Apple / Cherry

Instructions:

- Cut chicken, lengthwise, into 0.63 cm / ¼" or slightly thicker pieces. Rinse chicken and pat dry with paper towel.
- Place chicken pieces into a plastic lock-top bag. Add salad dressing, salt and pepper. Seal the bag closed, and carefully shake, coating chicken evenly. Place in refrigerator for 1 - 2 hours, or overnight. Shake the bag once or twice so the chicken marinades evenly.
- Soak wooden skewers in water for 1 hour before use.
- Preheat grill, then reduce slightly to 218°C / 425°F.**
- Remove chicken from plastic bag, and weave in-and-out onto the skewers, like a ribbon.
- Place skewers on grill, and cook until chicken is white and firm. Turn skewers often to avoid burning.
- Remove from heat and serve.

INFORMATIONS CONCERNANT LA SÉCURITÉ

LES PRINCIPALES CAUSES D'INCENDIE D'UN APPAREIL SONT UN MAUVAIS ENTRETIEN ET UNE INCAPACITÉ À MAINTENIR L'ESPACEMENT REQUIS ENTRE L'APPAREIL ET LES MATÉRIAUX COMBUSTIBLES. IL EST DE LA PLUS HAUTE IMPORTANCE QUE CE PRODUIT SOIT UNIQUEMENT UTILISÉ CONFORMÉMENT AUX INSTRUCTIONS SUIVANTES.

Veuillez lire et comprendre l'intégralité de ce manuel avant de procéder à l'assemblage, à l'utilisation ou à l'installation de ce produit. Vous pourrez alors profiter pleinement et sans encombre de votre nouveau gril à granulés de bois. Nous vous conseillons également de conserver ce manuel à titre de référence ultérieure.

DANGERS ET AVERTISSEMENTS

DANGER

Si vous sentez le gaz :

- Coupez l'arrivée du gaz de l'appareil
- Éteignez toute flamme ouverte.
- Ouvrez le couvercle.
- Si l'odeur persiste, éloignez-vous de l'appareil et appelez immédiatement votre fournisseur de gaz ou les pompiers.

AVERTISSEMENT

- Ne stockez pas, ni n'utilisez de l'essence ou d'autres liquides ou vapeurs inflammables à proximité de cet appareil ou de tout autre appareil.
- Une bouteille de gaz de pétrole liquéfié non branchée pour utilisation ne doit pas être stockée à proximité de cet appareil ou de tout autre appareil.

CODES D'INSTALLATION DU GRIL

- L'installation doit être conforme aux codes locaux ou, en l'absence de codes locaux, au code national sur le gaz combustible, ANSI Z 223.1/NFPA 54, au code d'installation du gaz naturel et du propane, CSA B149.1, ou au code de stockage et de manipulation du propane, B149.2.
- Les modèles de gril à gaz de pétrole liquéfié sont conçus avec une bouteille de gaz de propane liquide 20 lb., non incluse avec le gril. Ne branchez jamais votre gril à gaz à une bouteille de gaz de pétrole liquéfié dépassant cette capacité.

Vous devez contacter les autorités locales compétentes afin d'obtenir les permis, mandats ou informations nécessaires concernant toute restriction d'installation, par exemple pour un gril installé sur une surface combustible, les exigences en matière d'inspection ou même la possibilité d'utilisation dans votre région.

1. Vous devez respecter un espace minimum de 914 mm (36 pouces) entre les côtés/l'arrière du gril et toute construction combustible. **N'installez pas l'appareil sur des sols combustibles ou des sols protégés par des surfaces combustibles sans avoir obtenu les permis et autorisations appropriés de la part des autorités compétentes.** N'utilisez pas cet appareil en intérieur, dans une zone close ou non aérée, par exemple à l'intérieur d'un domicile, dans un véhicule, sous une tente ou dans un garage. Cet appareil à granulés de bois ne doit pas être placé sous un plafond ou un surplomb combustible. Placez votre gril dans une zone dégagée, sans matériaux combustibles, essence, ni autres vapeurs et liquides inflammables.

Si un feu de graisse a lieu, éteignez le gril et laissez le couvercle fermé jusqu'à ce que le feu s'éteigne. Débranchez le cordon d'alimentation. Ne jetez pas d'eau sur l'appareil. N'essayez pas d'étouffer le feu. Posséder sur place un extincteur agréé pour les feux de classe A, B et C est un atout précieux. Si un feu incontrôlé a lieu, appelez les pompiers.

2. Maintenez les câbles électriques et les combustibles loin des surfaces chauffées. Retirez les casseroles et les poêles lorsque l'appareil en fonctionnement est sans surveillance, afin de réduire les risques d'incendie. N'utilisez pas votre gril sous la pluie ou près d'une source d'eau.
3. Après une période de stockage ou de non utilisation, vérifiez qu'il n'y a pas d'obstruction au niveau de la grille de combustion et pas de blocage de l'air au niveau de la trémie. Nettoyer avant utilisation. Des soins et un entretien réguliers sont nécessaires pour prolonger la durée de vie de votre gril. **Si le gril est entreposé dehors pendant la saison des pluies ou les saisons de forte humidité, toutes les précautions devraient être prises pour veiller à ce que l'eau n'entre pas dans la trémie.** Lorsqu'ils sont mouillés ou exposés à une humidité élevée, les granulés de bois se dilatent considérablement, se décomposent et peuvent bloquer le système d'alimentation. Vous devez toujours débrancher le gril avant d'effectuer un service ou un entretien.

Ne pas transporter votre gril pendant son utilisation ou pendant qu'il est chaud. Assurez-vous que le feu est complètement éteint et que le gril est complètement frais avant le déplacement.

4. Il est recommandé d'utiliser des gants ou des gants de barbecue résistant à la chaleur lors de l'utilisation du gril. Ne pas utiliser d'accessoires n'ayant pas été conçus pour être utilisés avec cet appareil. Ne pas mettre de couvercle de barbecue ou tout autre matière inflammable dans la zone d'espace de stockage sous le barbecue.
5. Pour éviter toute blessure ou endommagement de la tanière, l'appareil comporte un écran de sécurité de la trémie métallique. Cet écran ne doit pas être retiré sauf indication contraire du service à la clientèle de dansons ou d'un fournisseur de service autorisé.

Cet appareil n'est pas conçu pour être utilisé par des enfants, des personnes à capacités physiques, sensorielles ou intellectuelles réduites ou sans expérience ni connaissances, à moins qu'elles soient surveillées directement par une personne responsable de leur sécurité.

6. Certaines parties du barbecue peuvent être très chaudes et des blessures graves peuvent survenir. Tenir hors de portée des jeunes enfants et des animaux domestiques lors de l'utilisation.
7. Ne pas élargir des trous de l'allumeur ou des pots de combustion. Le non-respect de cet avertissement pourrait entraîner un risque d'incendie et des dommages corporels et annulera votre garantie.
8. Le produit peut avoir des bords ou des points pointus. Le contact peut entraîner des blessures. Manipuler avec soin.
9. La bouteille d'alimentation de PL (propane liquide) à utiliser doit être construite et marquée conformément aux spécifications concernant les bouteilles de PL du département des Transports des É.-U. (DOT) ou de la Norme nationale du Canada CAN/CSA-B339 relative aux cylindres, sphères et tubes pour le transport des matières dangereuses; et commission.
10. Le réservoir de gaz de pétrole liquéfié doit être muni d'un robinet d'arrêt se terminant par une sortie de réservoir d'alimentation en gaz liquéfié, compatible avec un dispositif de raccordement de réservoir de type 1. Le réservoir de gaz de pétrole liquéfié doit également être muni d'un dispositif de sécurité à communication directe avec l'espace vapeur du réservoir.
11. Le système d'alimentation du réservoir doit être positionné pour l'évacuation des vapeurs.
12. Le réservoir de gaz LP utilisé doit être muni d'un collier pour protéger le robinet du réservoir.
13. Ce gril pour l'extérieur n'est pas conçu pour une installation dans/sur des véhicules récréatifs ou des bateaux.

Ne jamais utiliser cet appareil dans un espace clos, comme une caravane-camping, une tente, une voiture, un bateau ou une maison. Cet appareil n'est pas conçu comme un appareil de chauffage, il ne doit en aucun cas servir comme tel.

14. N'obstruez pas le flux de l'air de combustion et de ventilation à l'appareil. Gardez le tube du brûleur et les hublots propres et exempts de tous débris. Nettoyez avant utilisation. Une maintenance et un entretien réguliers sont requis pour prolonger la durée de vie de votre unité.
15. Vérifiez toujours la présence de fuites lorsque vous branchez et débranchez le régulateur à la bonbonne de gaz, plus particulièrement après une période d'entreposage (par exemple, au cours de l'hiver). Vérifiez l'étanchéité de tous les raccords à l'aide d'une solution d'eau savonneuse et d'une brosse. Ne jamais utiliser de flamme ouverte pour vérifier la présence de fuites.
16. Nettoyez et inspectez le régulateur de gaz avant chaque utilisation de l'appareil de cuisson en extérieur. Remplacez le régulateur de gaz avant de l'utiliser si vous apercevez une abrasion ou une usure excessive. N'utilisez que l'assemblage du régulateur de pression du gaz fourni avec ce gril à gaz. Ne pas utiliser le régulateur d'un autre fabricant.

Ne pas utiliser de pierre volcanique, de copeaux de bois, de charbon, d'essence à briquet, d'alcool ou autres produits chimiques similaires pour effectuer l'allumage ou le rallumage. Conservez tous ces liquides et substances loin du gril lorsque celui-ci fonctionne.

17. Faites fonctionner cet appareil avec du gaz de pétrole liquéfié, qui est également indiqué sur la plaque signalétique de l'unité. Ne pas essayer de faire fonctionner votre gril à l'aide d'autres types de gaz. Ne pas essayer de convertir cette unité au GPL afin qu'elle fonctionne avec du gaz naturel. Le non-respect de cet avertissement pourrait entraîner un risque d'incendie et des dommages corporels et annulera votre garantie.

ÉLIMINATION DES CENDRES

Les cendres devraient être déposées dans un contenant métallique avec couvercle hermétique. Le contenant fermé de cendres devrait être placé sur un plancher non combustible ou sur le sol, loin de toute matière combustible en attendant leur élimination définitive. Lorsque les cendres sont disposées par enterrement dans le sol, ou dispersées localement, elles doivent être conservées dans un récipient fermé jusqu'à ce que toutes les cendres aient été complètement refroidies.

COMBUSTIBLE GRANULES DE BOIS

Cet appareil de cuisson à granules est conçu et approuvé uniquement pour le bois aggloméré, entièrement naturel. Tout autre type de consommation de carburant dans cet appareil annulera la garantie et la norme de sécurité. Vous devez uniquement utiliser les pastilles de bois naturelles, conçues pour brûler dans les grils de bbq à pastilles. Ne pas utiliser de carburant avec des additifs. Le combustible en granulés a un pouvoir calorifique moyen de 8 000 à 8 770 BTU / LB, teneur en cendres <1%.

Ne pas utiliser roche de lave, morceaux de bois, charbon de bois, d'alcool, d'essence, de pétrole, de l'essence à briquet ou du kérosène pour allumer ou rafraîchir un feu sur votre gril.

Au moment de l'impression de ce manuel, il n'y a pas de norme industrielle pour les granulés de bois de barbecue, bien que la plupart des usines de granulés utilisent les mêmes normes pour fabriquer des granulés de bois à usage domestique. Vous trouverez plus d'informations sur www.pelletheat.org ou sur Pellet Fuel Institute.

Contactez votre revendeur local au sujet de la qualité des granulés dans votre région et pour des informations sur la qualité de la marque. Comme il n'y a pas de contrôle sur la qualité des pastilles utilisées, nous n'assumons aucune responsabilité à l'égard des dommages causés par une mauvaise qualité du carburant.

CRÉOSOTE

La créosote, ou la suie, est une substance semblable à celle du goudron. Lors de la combustion, il produit de la fumée noire avec un résidu qui est également de couleur noire. La suie ou la créosote est formée lorsque l'appareil fonctionne incorrectement, par exemple: position incorrecte de la grille de combustion, blocage du ventilateur de combustion, défaut de nettoyage et entretien de la zone de combustion ou mauvaise combustion air-carburant.

Il est dangereux de faire fonctionner cet appareil si la flamme devient sombre, de suie, ou si le pot de combustion est trop rempli de granulés. Lorsqu'elle est enflammée, cette accumulation de créosote produit un feu extrêmement vif et non maîtrisé, similaire à un feu de graisse. Dans ce cas, éteignez l'appareil, laissez-le refroidir complètement, puis inspectez-le pour l'entretien et le nettoyage. Il s'accumule généralement le long des zones d'échappement.

Si de la créosote s'est accumulée dans l'unité, laissez l'unité se réchauffer à basse température, éteignez l'appareil, puis essuyez toute formation à l'aide d'une serviette à main. À l'instar du goudron, il est beaucoup plus facile de nettoyer au chaud, car il devient liquide.

AVERTISSEMENTS EN MATIÈRE DE GAZ PROPANE

1. Veillez à ce que la bonbonne de gaz soit achetée chez un fournisseur connu. Une bonbonne de gaz propane mal remplie ou trop remplie peut être dangereuse. La condition trop remplie en conjonction avec l'avertissement sur la bonbonne de gaz propane (une journée chaude d'été, la bonbonne laissée au soleil, etc.) peut provoquer la libération du gaz propane puisque l'augmentation de température entraîne l'expansion du gaz. Le gaz relâché du cylindre est inflammable et peut exploser.
2. Ne pas utiliser de bonbonne à GPL si celle-ci présente une vanne endommagée ou bien présente des signes de bosses, de renflements, de dommages causés par le feu, de corrosion, de fuites, de rouille excessive ou toute autre forme de dommages externes car ceux-ci peuvent s'avérer dangereux et devraient immédiatement être vérifiés par un fournisseur de gaz propane liquide.

Si vous voyez, sentez ou entendez le sifflement de gaz qui s'échappe de la bonbonne, n'essayez pas d'allumer l'appareil. Éteindre toute flamme ouverte. Débrancher de l'alimentation en combustible.

3. Ne pas brancher ou débrancher la bonbonne de gaz pendant que l'appareil est utilisé ou qu'il est encore chaud. Lorsque l'appareil de cuisson au gaz extérieur n'est pas utilisé, assurez-vous que le cylindre de gaz soit à « OFF » (Éteint) et débranchez le cylindre de gaz. Ne jamais déplacer ou transporter l'unité si la bonbonne de gaz est branchée à celle-ci. N'entreposez pas les bouteilles de recharge de propane liquide sous cet appareil ou à proximité.

LE MONOXYDE DE CARBONE (« LE TUEUR SILENCIEUX »)

Le monoxyde de carbone est un gaz incolore, inodore et sans goût produit par la combustion des gaz, du bois, du propane, du charbon ou d'autres combustibles. Le monoxyde de carbone réduit la capacité du sang à transporter l'oxygène. Les faibles niveaux d'oxygène sanguin peuvent entraîner des maux de tête, des étourdissements, des faiblesses, des nausées, des vomissements, de la somnolence, de la confusion, de la perte de conscience ou la mort. Suivez les directives suivantes pour empêcher ce gaz incolore et inodore de vous empoisonner ainsi que votre famille et les autres :

- Consultez un médecin si vous ou les autres développez des symptômes similaires à un rhume ou la grippe quand vous cuisinez ou quand vous vous trouvez à proximité de l'appareil. L'empoisonnement au monoxyde de carbone, qui peut facilement être confondu avec le rhume ou la grippe, est souvent détecté trop tard.
- La consommation d'alcool et de drogues augment les effets de l'empoisonnement au monoxyde de carbone.

Le monoxyde de carbone est particulièrement toxique pour la mère et l'enfant pendant la grossesse, pour les nourrissons, les personnes âgées, les fumeurs et les personnes souffrant de problèmes de circulation sanguine ou du système circulatoire, tels que l'anémie ou les maladies cardiaques.

LISTE DE SÉCURITÉ

Conformément aux procédures et spécifications énumérées dans les normes UL 2728A-2019 « Appareils de cuisson à granulés » et ULC / ORD C2728-19 « pour les caractéristiques électriques des équipements à combustion. » Les appareils de cuisson à granulés Pit Boss® Grills ont été testés indépendamment et répertoriés par CSA (un laboratoire d'essais accrédité) selon les normes UL et ULC.



Conforme à la norme ANSI Z21.58-2018 / CSA 1.6-2018 Appareils de cuisson au gaz pour l'extérieur.

DÉCLARATION DE CONFORMITÉ FCC

Cet équipement est conforme aux limites d'exposition aux rayonnements FCC définies pour un environnement non contrôlé. Cet équipement doit être installé et utilisé à une distance minimale de 20 cm entre le radiateur et votre corps. Cet émetteur ne doit pas être colocalisé ou fonctionner en conjonction avec une autre antenne ou un autre émetteur. Cet appareil est conforme à la section 15 de la réglementation de la FCC. L'utilisation est soumise aux deux conditions suivantes : (1) Cet appareil ne doit pas causer d'interférences nuisibles et (2) Cet appareil doit accepter toutes les interférences reçues, y compris celles pouvant entraîner un fonctionnement indésirable.



Cet équipement a été testé et déclaré conforme aux limites imposées aux appareils numériques de classe B, conformément à la section 15 du règlement de la FCC. Ces limites sont conçues pour offrir une protection raisonnable contre les interférences nuisibles dans une installation résidentielle. Cet équipement génère et peut émettre de l'énergie de fréquence radio. S'il n'est pas installé et utilisé selon les instructions, il peut produire des interférences nuisibles aux communications radio. Cependant, il n'existe aucune garantie que de telles interférences ne se produiront pas dans une installation particulière. Si cet équipement cause des interférences nuisibles à la réception radio ou télévisuelle, ce que l'utilisateur peut déterminer en allumant ou en éteignant l'équipement, l'utilisateur est invité à essayer de corriger ces interférences en prenant une ou plusieurs des mesures suivantes :

- Réorienter ou déplacer l'antenne réceptrice.
- Augmenter la distance séparant l'appareil du récepteur.
- Brancher l'appareil sur un circuit différent de celui du récepteur.
- Consulter le fournisseur ou un technicien qualifié de la radio ou de la télévision afin d'obtenir de l'aide.

Attention: l'utilisateur est averti que les changements ou modifications non expressément approuvés par la partie responsable de la conformité pourraient annuler le droit de l'utilisateur à utiliser l'équipement.

La marque et le logo Bluetooth® sont des marques déposées appartenant à Bluetooth SIG, Inc. et toute utilisation de ces marques par Espressif se fait sous licence. Les autres marques et noms commerciaux appartiennent à leurs propriétaires respectifs.



AVIS SUR LES DROITS D'AUTEUR

Droit d'auteur 2020. Tous droits réservés. Nulle partie de ce manuel ne peut être reproduite, transmises, transcrite ou stockée dans un système de recherche de quelque façon que ce soit sans l'autorisation préalable écrite de,

Dansons

3411 North 5th Avenue, Suite 500, Phoenix, AZ, USA 85013
sales@pitboss-grills.com | service@pitboss-grills.com
www.pitboss-grills.com

Service à la clientèle

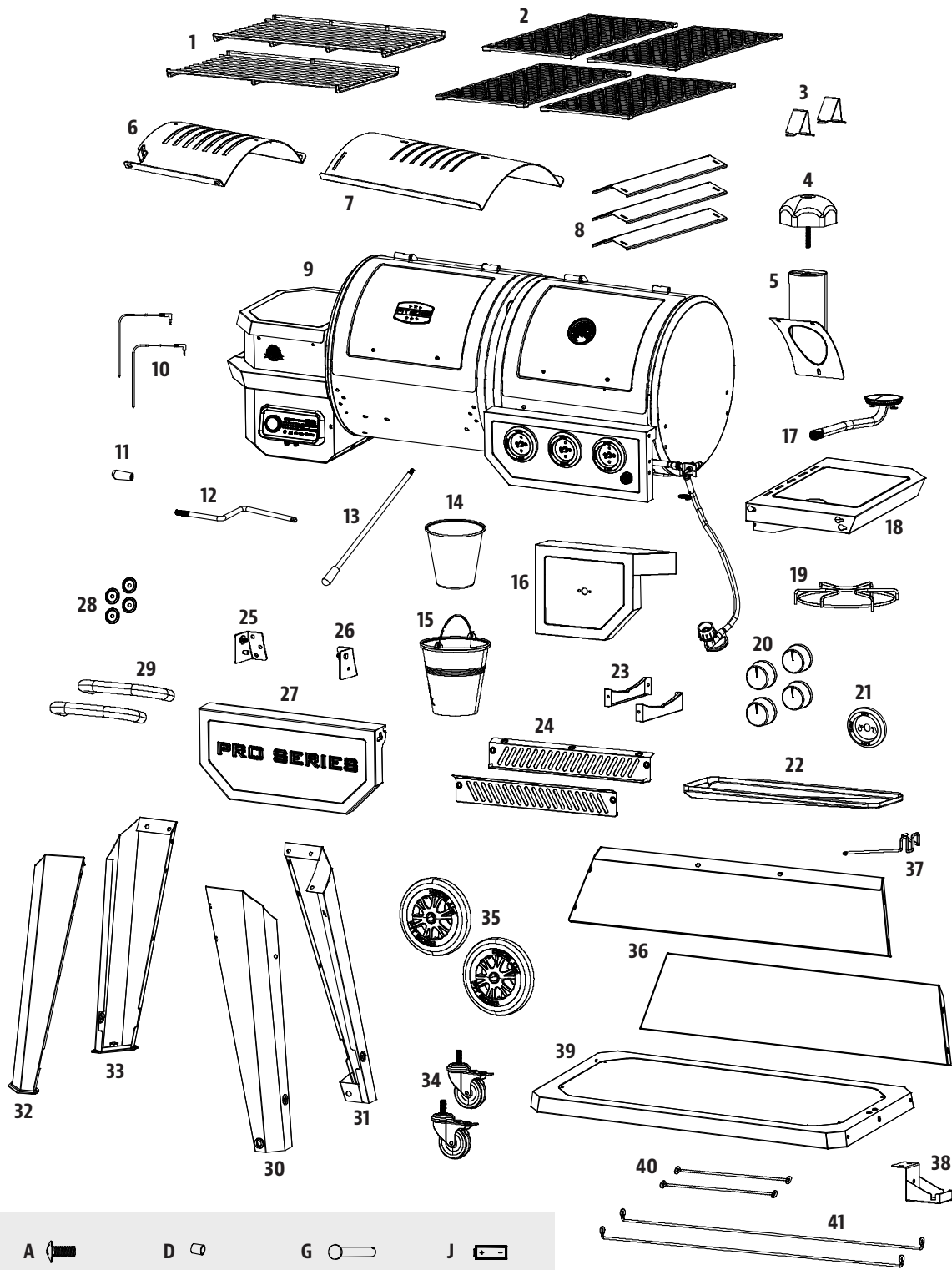
Du lundi au samedi, de 4 h à 20 h HP (ANG/FR/ES)

Ligne sans frais: 1-877-303-3134, télécopie: 1-877-303-3135

TABLE DES MATIÈRES

Informations concernant la sécurité	50	Instructions d'utilisation des granulés de bois	
Pièces et spécifications	56	Environnement du gril	70
Préparation de l'assemblage	58	Plages de températures du gril	71
Instructions d'assemblage		Présentation du panneau de contrôle.....	72
Montage du support du plateau à graisse.....	58	Fonctions du panneau de contrôle.....	74
Montage du plateau à graisse sur le corps principal.....	58	Connexion à l'application Smoke iT®	76
Montage des pieds sur le corps principal.....	59	Procédure d'amorce de la trémie.....	76
Installation de l'étagère inférieure.....	59	Première utilisation - brûlage du gril.....	77
Fixation du panneau avant/arrière du chariot	59	Procédure de démarrage automatique.....	77
Raccordement des roues au chariot	60	Arrêt de votre gril.....	77
Connexion des roulettes au chariot.....	60	Instructions d'utilisation de la fumée.....	77
Fixation des butoirs du couvercle	60	Instructions d'utilisation du gaz propane	
Fixation de la cheminée.....	61	Environnement du gril.....	78
Installation des poignées du couvercle.....	61	Première utilisation - brûlage du gril.....	78
Fixation de la barre du chariot	61	Procédure de démarrage automatique.....	78
Fixation du dispositif de retenue de câble de la		Procédure de démarrage manuel.....	79
bouteille à gaz	62	Première utilisation – Utilisation des brûleurs	79
Installation du support de fixation de la bouteille à gaz	62	Allumage	79
Fixation des supports de l'étagère avant.....	62	Arrêt de votre gril.....	80
Installation de l'étagère avant.....	62	Contrôle des flambées.....	80
Assemblage de la tablette du brûleur latéral.....	63	Réduction des flambées.....	80
Montage de la tablette du brûleur latéral.....	63	Entretien et maintenance	81
Installation de la valve du brûleur latéral	63	Utilisation du combustible en granulés de bois.....	83
Montage des boutons du brûleur	63	Lignes directrices pour la cuisine	83
Fixation du brûleur latéral	64	Conseils et techniques	86
Placement de la grille du brûleur latéral	64	Dépannage	87
Insertion du fil d'allumage.....	64	Schéma du câblage électrique	90
Fixation du support de tuyau	64	Pièces de rechange	
Installation des composants du diffuseur de chaleur.....	65	Pièces de rechange du gril	91
Installation des composants de cuisson.....	66	Pièces de rechange de la trémie.....	93
Placement du seau à graisse, du plateau à graisse	66	Garantie	
Installation de la batterie	67	Conditions.....	93
Connexion à une source d'alimentation	67	Exceptions.....	94
Connexion à une alimentation au gaz		Commander des pièces de rechange	94
Exigences relatives à la bouteille de gaz.....	68	Contacter le service clients.....	94
Installation d'une bouteille de gaz	68	Service de la garantie.....	94
Préparation à l'utilisation – Test de fuite.....	68	Recettes.....	95
Débrancher une bouteille de gaz	69		

PIÈCES ET SPÉCIFICATIONS



A		D		G		J	
B		E		H			
C		F		I			

PIÈCES ET SPÉCIFICATIONS

N°	Description
1	Support de cuisson supérieur en acier émaillé (x2)
2	Grilles de cuisson en fonte à revêtement de porcelaine (x4)
3	Butoir pour couvercle (x2)
4	Chapeau de cheminée (x1)
5	Sortie de cheminée (x1)
6	Plaque coulissante du diffuseur de chaleur (x1)
7	Plaque principale du diffuseur de chaleur (x1)
8	Tentes à chaleur (x3)
9	Assemblage gril principal/trémie (x1)
10	Sonde de cuisson (x2)
11	Poignée de la barre de réglage du grilloir à flamme (x1)
12	Barre de réglage du grilloir à flamme (x1)
13	Barre de contrôle de la fumée (x1)
14	Récipient intérieur du seau à graisse (x1)
15	Seau à graisse (x1)
16	Panneau de brûleur latéral (x1)
17	Brûleur latéral (x1)
18	Tablette du brûleur latéral (x1)
19	Grille de brûleur latéral (x1)
20	Bouton du brûleur (x4)
21	Lunette de bouton de brûleur (x1)
22	Plateau à graisse (x1)
23	Support du plateau à graisse A (x2)
24	Support du plateau à graisse B (x2)
25	Support pour étagère avant/gauche (x1)
26	Support pour étagère avant/droit (x1)
27	Étagère avant (x1)
28	Bague de la poignée pour couvercle (x4)
29	Poignée pour couvercle (x2)
30	Pied de support/avant (x1)
31	Pied de support/arrière (x1)
32	Pied de support pour roulettes/avant (x1)
33	Pied de support pour roulettes/arrière (x1)
34	Roulettes pivotantes à frein (x2)
35	Roue (x2)
36	Panneau avant/arrière du chariot (x2)

N°	Description
37	Dispositif de retenue de câble pour bouteille à gaz de pétrole liquéfié (x1)
38	Support de fixation pour bouteille à gaz de pétrole liquéfié (x1)
39	Étagère inférieure du chariot (x1)
40	Barre de chariot A (x2)
41	Barre de chariot B (x2)
A	Vis (x58)
B	Rondelle (x51)
C	Rondelle de blocage (x49)
D	Bague (x2)
E	Goupille bêta pour roue (x2)
F	Rondelle pour roue (x2)
G	Goupille cannelée pour roue (x2)
H	Vis (x2)
I	Écrous (x5)
J	Batterie AA (x1)

REMARQUE : de par le développement continu du produit, des pièces peuvent faire l'objet de modifications sans préavis. Contactez le service clients si des pièces manquent lors de l'assemblage de l'appareil.

PB – EXIGENCES ÉLECTRIQUES
PRISE DE TERRE À 3 BROCHES DE 110 À 120 V, 60 HZ, 250 W

FRANÇAIS

MODÈLE	ASSEMBLÉ	MODÈLE	ZONE DE CUISSON	PLAGE DE TEMPÉRATURES	
PB	PB1100PSC2	1 725 X 815 X 1 282 MM / 67,91 X 32,09 X 50,47 PO	104,5 KG / 230,38 LB	PRINCIPALE - 2 580,6 CM ² / 400 PO ² SUPÉRIEURE - 1 489 CM ² / 230,8 PO ² TOTAL - 4 069,6 CM ² / 630,8 PO ²	82-260°C / 180-500°F
				TOTAL GRIL - 8 139,2 CM ² / 1 261,6 PO ²	

PRÉPARATION DE L'ASSEMBLAGE

Les pièces se trouvent partout dans le carton d'expédition, y compris sous le gril. Inspectez le gril, les pièces et le sachet de quincaillerie après les avoir retirés du carton d'expédition. Débarrassez-vous de tous les emballages intérieurs et extérieurs du gril avant de procéder à l'assemblage, puis passez en revue et inspectez toutes les pièces en vous référant à la liste. Si une pièce manque ou est endommagée, ne procédez pas à l'assemblage. Les dégâts liés à l'envoi ne sont pas couverts par la garantie. Contactez votre revendeur ou le service clients de Pit Boss® concernant ces pièces : du lundi au dimanche, de 4 h à 20 h HNP (EN/FR/ES).

service@pitboss-grills.com | Numéro gratuit : 1-877-303-3134 | Fax : 1-877-303-3135

IMPORTANT : pour faciliter l'installation et éviter des blessures, il est recommandé de mettre deux personnes à contribution lors de l'assemblage de l'appareil.

Outils nécessaires pour l'assemblage : un tournevis et un niveau. *Ces outils ne sont pas fournis.*

INSTRUCTIONS D'ASSEMBLAGE

IMPORTANT : nous vous conseillons de lire entièrement chaque étape avant de procéder à l'assemblage conformément aux instructions. Ne serrez pas totalement les vis avant que toutes les vis de cette étape soient installées. L'assemblage de pièces impliquant une rondelle de blocage et une rondelle doit être effectué en plaçant la rondelle de blocage le plus près possible de la tête de la vis.

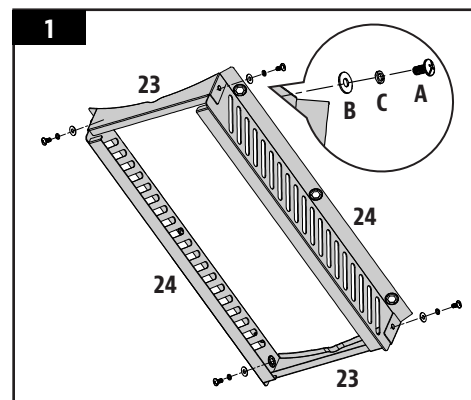
1. MONTAGE DU SUPPORT DU PLATEAU À GRAISSE

Pièces nécessaires :

- 2 x Support du plateau à graisse A (#23)
- 2 x Support du plateau à graisse B (#24)
- 4 x Vis (#A)
- 4 x Rondelle de blocage (#C)
- 4 x Rondelle (#B)

Installation :

- Montez le support de plateau à graisse A sur le support de plateau à graisse B en utilisant quatre vis, des rondelles de blocage et des rondelles.



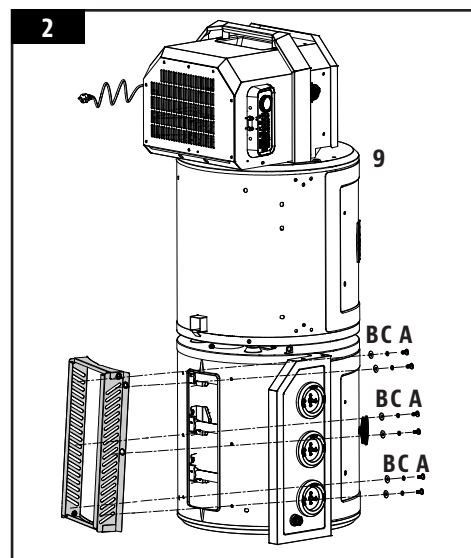
2. MONTAGE DU PLATEAU À GRAISSE SUR LE CORPS PRINCIPAL

Pièces nécessaires :

- 1 x Assemblage gril principal/trémie (#9)
- 6 x Vis (#A)
- 6 x Rondelle de blocage (#C)
- 6 x Rondelle (#B)

Installation :

- Placez un bout de carton sur le sol afin d'éviter d'érafler l'appareil. Sur le carton, posez le corps principal sur le côté, avec l'extrémité de la trémie pointant vers le haut.
- Montez le support du plateau à graisse sur la partie du corps principal contre le sol à l'aide de six vis, de rondelles et de rondelles de blocage.



3. MONTAGE DES PIEDS SUR LE CORPS PRINCIPAL

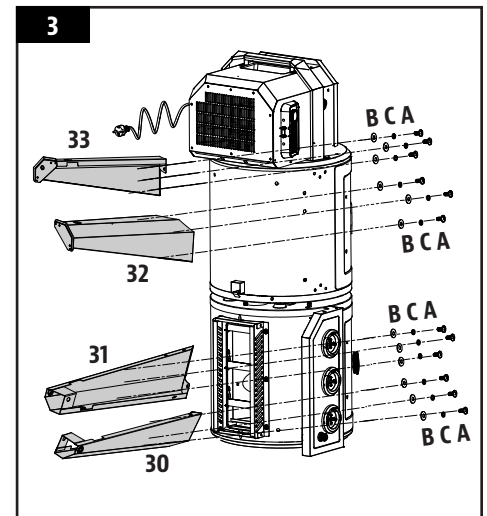
Pièces nécessaires :

- 1 x Pied de support/avant (#30)
- 1 x Pied de support/arrière (#31)
- 1 x Pied de support pour roulettes/avant (#32)
- 1 x Pied de support pour roulettes/arrière (#33)
- 12 x Vis (#A)
- 12 x Rondelle de blocage (#C)
- 12 x Rondelle (#B)

Installation:

- Montez une jambe de support à l'extrémité du plancher du canon principal à l'aide de trois vis, rondelles de verrouillage et rondelles, à travers les trois trous pré-perçés. Installez les vis de l'intérieur du canon principal. Répétez l'installation pour la deuxième jambe de support.
- Montez une jambe de support pour roulette à l'extrémité de la trémie du canon principal à l'aide de trois vis, rondelles de verrouillage et rondelles, à travers les trois trous pré-perçés. Installez les vis de l'intérieur du canon principal. Répétez l'installation pour le deuxième pied de support pour roulette.

REMARQUE: Serrez les vis des pieds de support à moitié seulement pour permettre une installation plus facile de la tablette inférieure à l'étape suivante.



4. INSTALLATION DE L'ÉTAGÈRE INFÉRIEURE

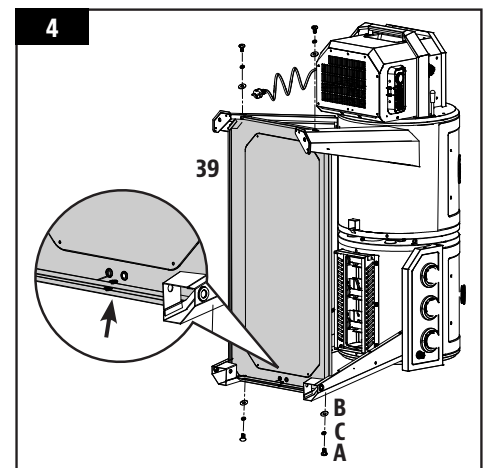
Pièces nécessaires :

- 1 x Étagère inférieure du chariot (#39)
- 4 x Vis (#A)
- 4 x Rondelle de blocage (#C)
- 4 x Rondelle (#B)

Installation:

- Fixez la tablette inférieure du chariot à l'aide d'une rondelle, d'une rondelle de blocage et vissez à la main chacune des pattes de support, mais ne fixez qu'à moitié.

REMARQUE: Le côté de la tablette inférieure du chariot avec deux trous doit être assemblé côté gaz.



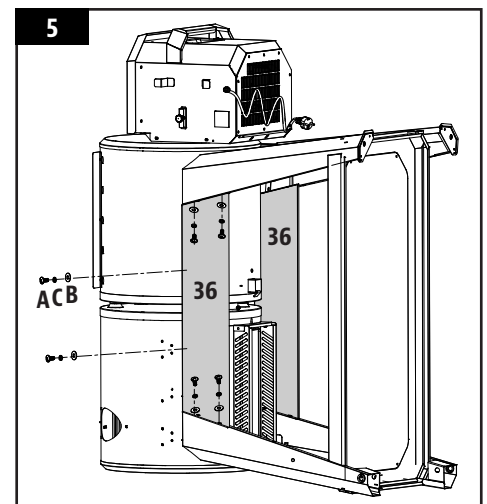
5. FIXATION DU PANNEAU AVANT/ARRIÈRE DU CHARIOT

Pièces nécessaires :

- 2 x Panneau avant/arrière du chariot (#36)
- 12 x Vis (#A)
- 12 x Rondelle de blocage (#C)
- 12 x Rondelle (#B)

Installation:

- Fixez le panneau avant du chariot à chaque pied à l'aide de deux rondelles, rondelles de blocage et vis sur chacun des deux pieds de support. Fixez le panneau avant du chariot au canon principal à l'aide de deux autres rondelles, rondelles de verrouillage et vis. Répétez l'installation pour le panneau arrière du chariot.



REMARQUE: Une fois les panneaux du chariot installés, serrez fermement toutes les vis du chariot.

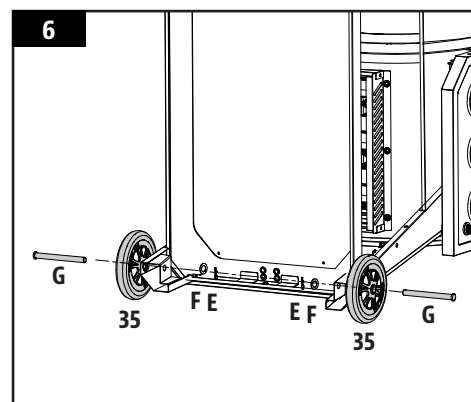
6. RACCORDEMENT DES ROUES AU CHARIOT

Pièces nécessaires :

- 2 x Roue (#35)
- 2 x Goupille cannelée pour roue (#G)
- 2 x Rondelle pour roue (#F)
- 2 x Goupille bêta pour roue (#E)

Installation:

- Attachez la roue à la jambe de support en insérant la goupille d'axe de roue dans la roue, le trou de la jambe de support, la rondelle de roue, puis fixez à l'aide de la goupille fendue de roue. Répétez l'installation pour l'autre roue.



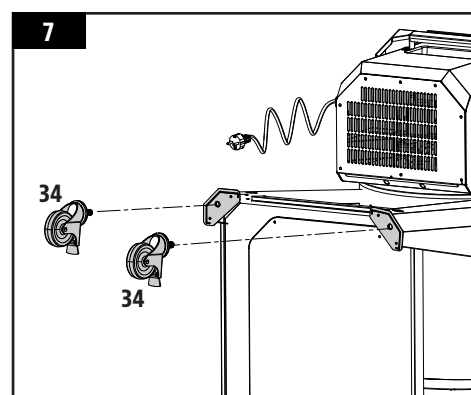
7. CONNEXION DES ROULETTES AU CHARIOT

Pièces nécessaires :

- 2 x Roulettes pivotantes à frein (#34)

Installation:

- Insérez chaque roulette à frein au bas de chaque pied de support en les serrant à la main dans le trou. Elle se bloquera dans l'écrou autobloquant. Vérifiez que la roulette à frein est totalement insérée en vous assurant qu'elle ne peut plus tourner.
- Une fois que toutes les roues sont sécurisées, verrouillez les roulettes, puis à l'aide d'une deuxième personne, soulevez soigneusement le gril en position verticale.



IMPORTANT : resserrez les vis des pieds de support pour vous assurer qu'elles sont complètement fixées après avoir positionné le gril à la verticale.

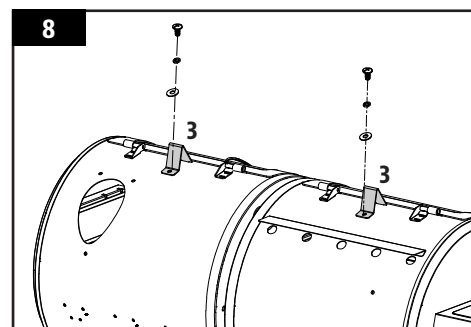
8. FIXATION DES BUTOIRS DU COUVERCLE

Pièces nécessaires :

- 2 x Butoir pour couvercle(#3)

Installation:

- Fixez les deux bouchons de couvercle sur le dessus du canon principal à l'aide de la vis préinstallée, de la rondelle de blocage et de la rondelle sur le dessus.



9. FIXATION DE LA CHEMINÉE

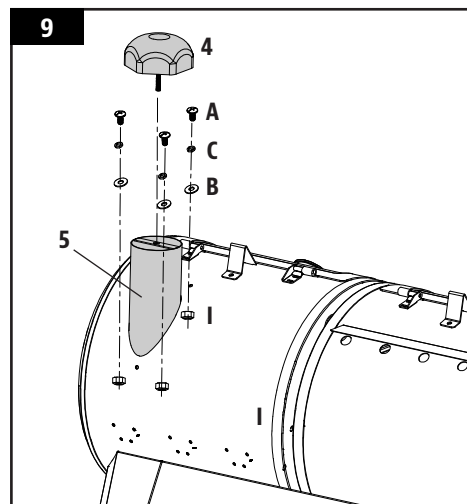
Pièces nécessaires :

- 1 x Chapeau de cheminée (#4)
- 1 x Sortie de cheminée (#5)
- 3 x Vis (#A)
- 3 x Rondelle de blocage (#C)
- 3 x Rondelle (#B)
- 3 x Écrous (#I)

Installation:

- Localisez l'ouverture de la cheminée à l'arrière du baril de gaz. De l'intérieur du baril de gaz, insérez la cheminée à travers l'ouverture. Insérez une rondelle, une rondelle de blocage et vissez dans chaque trou de l'extérieur du baril de gaz, mais fixez seulement à moitié dans l'écrou de l'intérieur. Une fois les trois vis installées, serrez complètement les vis.
- Ensuite, tournez le chapeau de cheminée sur le dessus de la cheminée.

REMARQUE : réglez le chapeau de cheminée pour diriger le flux d'air à l'intérieur du grill principal. Si vous cuisinez à basse température, gardez le chapeau plus ouvert. Assurez-vous que le chapeau de cheminée permet à l'air de s'échapper.



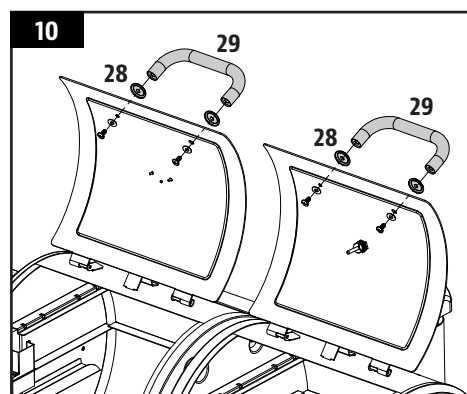
10. INSTALLATION DES POIGNÉES DU COUVERCLE

Pièces nécessaires :

- 4 x Bague de la poignée pour couvercle (#28)
- 2 x Poignée pour couvercle (#29)

Installation:

- Retirez les vis préinstallées de la poignée du couvercle. De l'intérieur du couvercle du corps, insérez une vis afin qu'elle dépasse de l'autre côté. Ajoutez une bague à la vis. Ajoutez une bague sur la vis, puis serrez-la à la main (de l'intérieur) dans la poignée du couvercle. Répétez l'opération pour l'autre côté. Répétez la procédure pour l'autre extrémité de la poignée du couvercle.



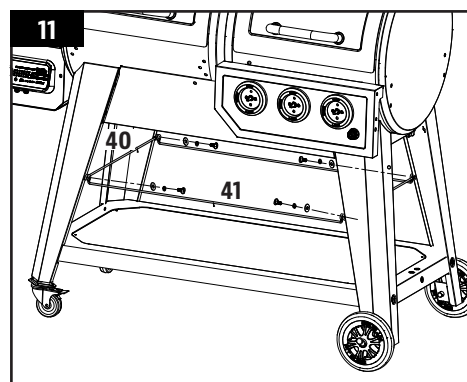
11. FIXATION DE LA BARRE DU CHARIOT

Pièces nécessaires :

- 2 x Barre de chariot A (#40)
- 2 x Barre de chariot B (#41)

Installation:

- Fixez la barre de chariot A et la barre de chariot B à chaque pied de support à l'aide de la vis, de la rondelle de blocage et de la rondelle préinstallées.



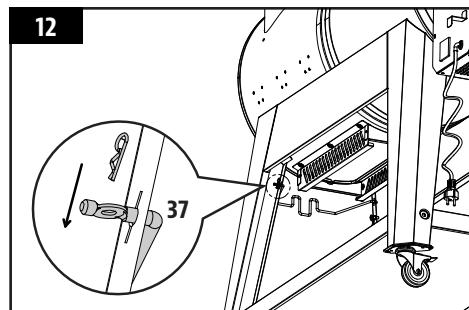
12. FIXATION DU DISPOSITIF DE RETENUE DE CÂBLE DE LA BOUTEILLE À GAZ

Pièces nécessaires :

- 1 x Dispositif de retenue de câble pour bouteille à gaz de pétrole liquéfié (#37)

Installation:

- Retirez le clip en R du dispositif de retenue du fil de la bouteille de GPL. Fixez le dispositif de retenue du fil de la bouteille de GPL aux pieds de support droits. Utilisez le clip en R pour fixer le dispositif de retenue du fil en place.



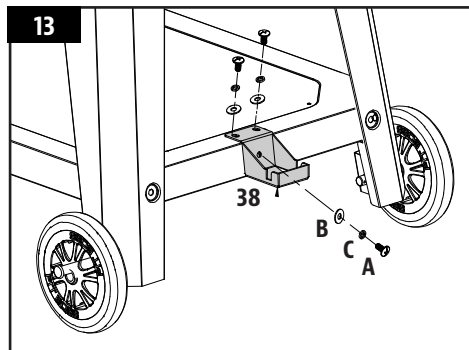
13. INSTALLATION DU SUPPORT DE FIXATION DE LA BOUTEILLE À GAZ

Pièces nécessaires :

- 1 x Support de fixation pour bouteille à gaz de pétrole liquéfié (#38)
- 3 x Vis (#A)
- 3 x Rondelle de blocage (#C)
- 3 x Rondelle (#B)

Installation:

- Fixez le support de support de bouteille de GPL à la tablette inférieure du chariot à l'aide de trois vis, rondelles de blocage et rondelles.



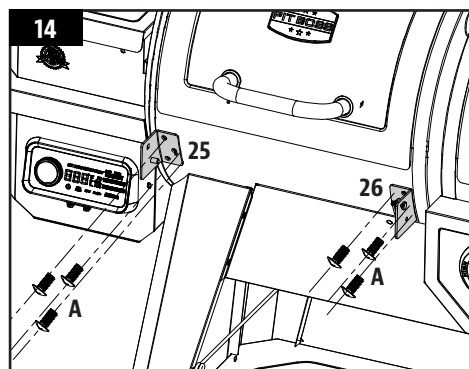
14. FIXATION DES SUPPORTS DE L'ÉTAGÈRE AVANT

Pièces nécessaires :

- 1 x Support pour étagère avant/gauche (#25)
- 1 x Support pour étagère avant /droit (#26)
- 6 x Vis (#A)

Installation:

- Fixez un support de tablette avant à l'avant du canon principal à l'aide de trois vis. Installez chaque vis à moitié, puis serrez complètement lorsque les trois vis sont montées et alignées correctement. Répétez la même installation pour l'autre support de tablette avant.



15. INSTALLATION DE L'ÉTAGÈRE AVANT

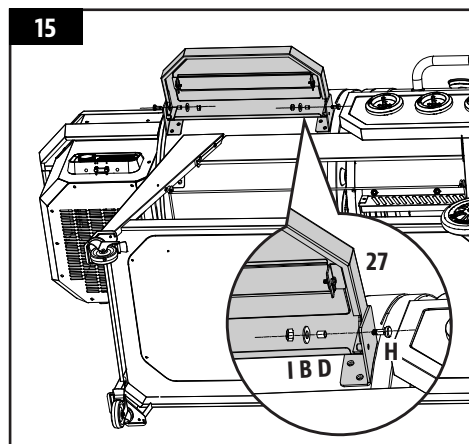
Pièces nécessaires :

- 1 x Étagère avant (#27)
- 2 x Vis (#H)
- 2 x Rondelle (#B)
- 2 x Bague (#D)
- 2 x Écrous (#I)

Installation:

- En passant par le dessous, insérez la vis (par l'extérieur) dans le support pour étagère avant et l'étagère avant, puis ajoutez la bague dans la vis, la rondelle et l'écrou. Répétez la procédure pour l'autre côté de l'étagère avant.

REMARQUE : lorsqu'elle est installée correctement, l'étagère avant peut être relevée (pour utilisation) et abaissée (pour le stockage) en toute simplicité.



IMPORTANT : évitez d'utiliser les étagères pour déplacer ou soulever le gril. Le poids de l'appareil provoquerait la rupture des étagères, ce qui n'est pas couvert par la garantie.

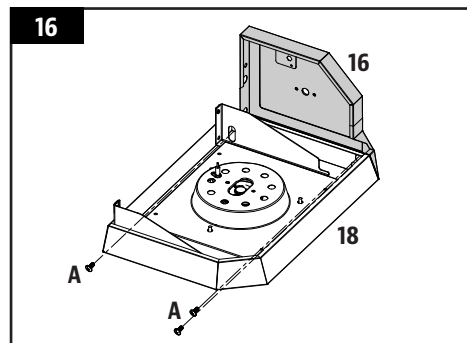
16. ASSEMBLAGE DE LA TABLETTE DU BRÛLEUR LATÉRAL

Pièces nécessaires :

- 1 x Panneau de brûleur latéral (#16)
- 1 x Tablette du brûleur latéral (#18)
- 3 x Vis (#A)

Installation:

- Retournez la tablette du brûleur latéral à l'envers. Montez la tablette du brûleur latéral sur le panneau du brûleur latéral avec trois rondelles, des rondelles de blocage et des vis.



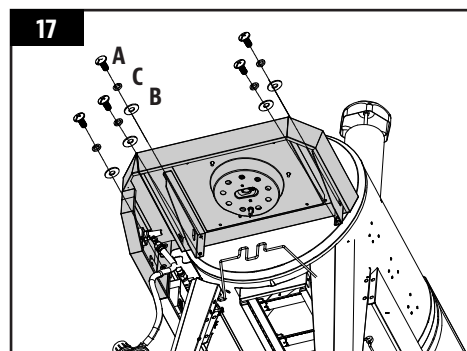
17. MONTAGE DE LA TABLETTE DU BRÛLEUR LATÉRAL

Pièces nécessaires :

- 5 x Vis (#A)
- 5 x Rondelle de blocage (#C)
- 5 x Rondelle (#B)

Installation:

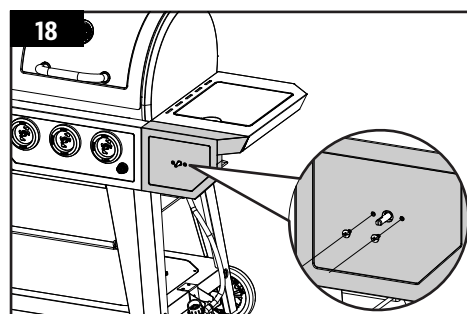
- Montez la tablette du brûleur latéral sur le capuchon d'extrémité du baril de gaz avec cinq rondelles, rondelles de blocage et vis.



18. INSTALLATION DE LA VALVE DU BRÛLEUR LATÉRAL

Installation:

- Fixez la soupape du brûleur latéral au panneau du brûleur latéral à l'aide de deux vis préinstallées sur la soupape du brûleur latéral.
- Ne serrez les vis qu'à mi-chemin pour faciliter l'installation à l'étape suivante.



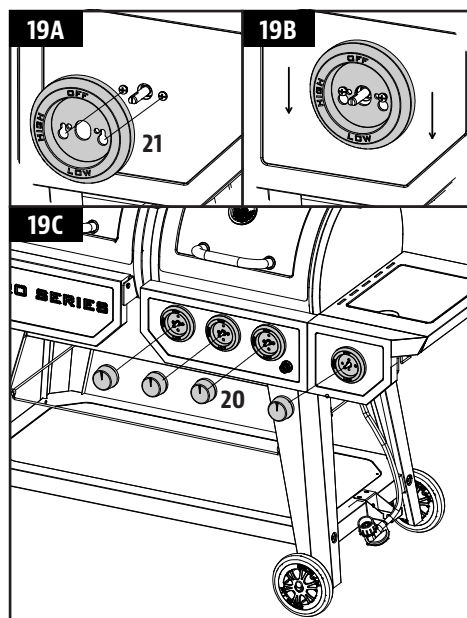
19. MONTAGE DES BOUTONS DU BRÛLEUR

Pièces nécessaires :

- 4 x Bouton du brûleur (#20)
- 1 x Lunette de bouton de brûleur (#21)

Installation:

- Tout d'abord, installez le cadre du bouton du brûleur à l'avant du panneau latéral du brûleur. Assurez-vous que les deux grands trous de clé sont alignés avec les vis. Consultez l'illustration 19A.
- Déplacez le cadre du bouton verticalement vers le bas pour que la petite extrémité du trou de clé touche les vis, puis serrez les vis. Consultez l'illustration 19B.
- Placez les boutons du brûleur dans le cadre du bouton du brûleur et les tiges de soupape en saillie, en veillant à aligner la partie plate de la tige avec la partie plate du bouton. Poussez chaque bouton du brûleur sur la tige jusqu'à ce qu'il soit fermement en place. Consultez l'illustration 19C.



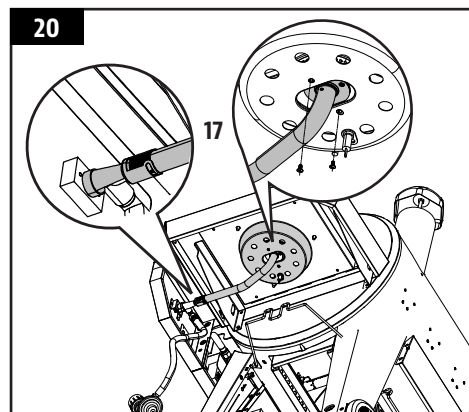
20. FIXATION DU BRÛLEUR LATÉRAL

Pièces nécessaires :

1 x Brûleur latéral (#17)

Installation:

- Retirez les deux vis préinstallées du dessous de l'étagère du brûleur latéral. Par le haut, insérez soigneusement le brûleur latéral dans l'étagère du brûleur latéral, puis fixez-le à l'aide des deux vis retirées précédemment.
- Ensuite, insérez l'extrémité du brûleur latéral sur la valve du brûleur latéral, complétant la connexion du brûleur latéral au bouton du brûleur.



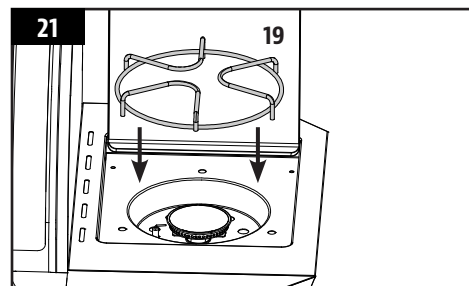
21. PLACEMENT DE LA GRILLE DU BRÛLEUR LATÉRAL

Pièces nécessaires :

1 x Grille de brûleur latéral (#19)

Installation:

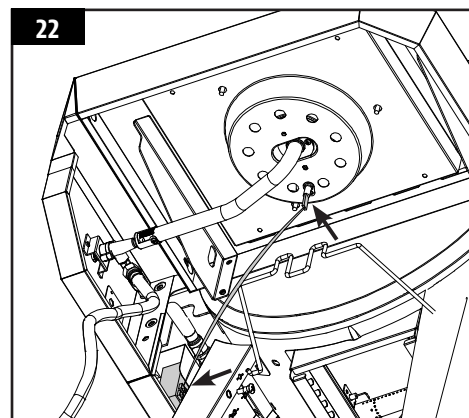
- Ouvrez le couvercle de l'étagère du brûleur latéral. Placez la grille de brûleur latéral dans l'étagère du brûleur latéral.



22. INSERTION DU FIL D'ALLUMAGE

Installation:

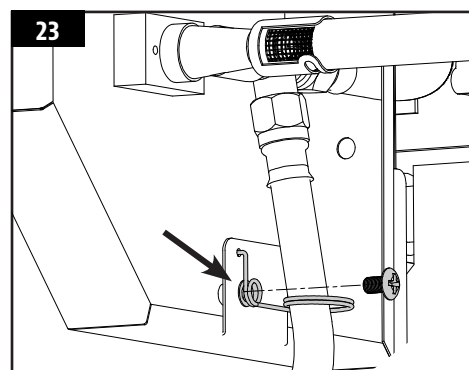
- Localisez le fil de l'allumeur derrière le panneau de commande de gaz (panneau avant avec trois boutons).
- Sans vous déconnecter du panneau de commande de gaz, branchez le fil de l'allumeur à l'extrémité de l'électrode du brûleur latéral. Vérifiez que l'électrode est fermement connectée.



23. FIXATION DU SUPPORT DE TUYAU

Installation:

- Montez le dispositif de retenue du tuyau fixe du tuyau de gaz à l'arrière du panneau du brûleur latéral avec la vis préinstallée.



24. INSTALLATION DES COMPOSANTS DU DIFFUSEUR DE CHALEUR

Pièces nécessaires :

- 1 x Plaque coulissante du diffuseur de chaleur (#6)
- 1 x Plaque principale du diffuseur de chaleur (#7)
- 1 x Poignée de la barre de réglage du grilloir à flamme (#11)
- 1 x Barre de réglage du grilloir à flamme (#12)

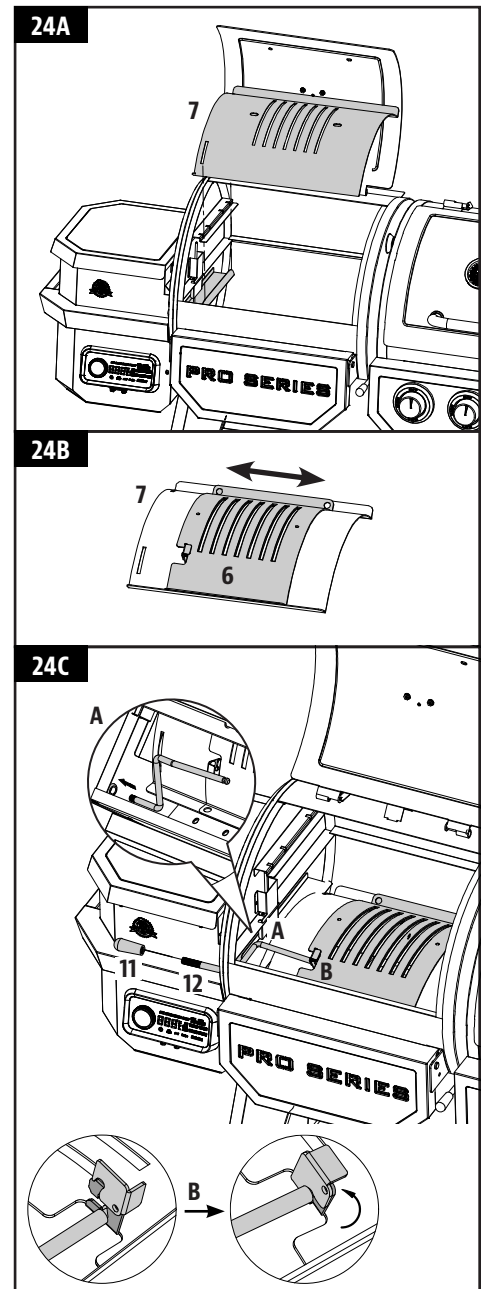
Installation:

- Insérez la plaque principale du diffuseur de chaleur dans le corps principal en commençant par le côté droit. Posez la plaque principale du diffuseur de chaleur sur le rebord intégré (à l'intérieur, à droite) du corps principal dirigeant la graisse vers le seau à graisse. Faites coulisser toute la pièce vers le côté gauche, ainsi, les deux fentes de la plaque principale du diffuseur de chaleur s'ajusteront dans le rebord arrondi situé au-dessus du pot de combustion. Il adoptera un angle légèrement incliné vers le bas. Consultez l'illustration 24A.

IMPORTANT : si la plaque principale du diffuseur de chaleur se trouve sur la base du corps de l'appareil, son installation est incorrecte. La plaque principale du diffuseur de chaleur doit être en biais, avec le côté gauche plus élevé que le côté droit. Une mauvaise installation de cette pièce peut endommager votre corps de grill.

- Placez la plaque coulissante du diffuseur de chaleur au-dessus de la plaque principale du diffuseur de chaleur, recouvrant les fentes. Veillez à ce que la languette relevée se trouve sur la gauche afin de facilement ajuster l'utilisation d'une flamme directe ou indirecte lors de la cuisson. Consultez l'illustration 24B. Les deux plaques du diffuseur de chaleur sont légèrement recouvertes d'huile pour éviter l'apparition de rouille lors de l'envoi.
- Puis, retirez la poignée de la barre de réglage du diffuseur de chaleur. Insérez la barre de réglage du diffuseur de chaleur dans le trou situé sur le côté gauche du corps principal. Ajoutez la poignée de la barre de réglage du diffuseur de chaleur sur l'extrémité à l'extérieur du corps de l'appareil. Glissez ensuite l'extrémité crantée de la barre de réglage dans la languette de verrouillage de la plaque coulissante du diffuseur de chaleur, ce qui vous donne un accès facile à la plaque coulissante du diffuseur de chaleur de la plaque principale. Consultez les étapes de l'illustration 24C.

REMARQUE : lorsque la plaque coulissante du diffuseur de chaleur est ouverte, une flamme directe est utilisée, ne laissez jamais le grill sans surveillance.



25. INSTALLATION DES COMPOSANTS DE CUISSON

Pièces nécessaires :

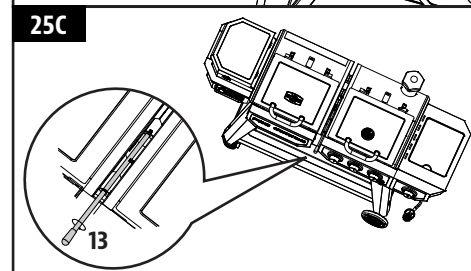
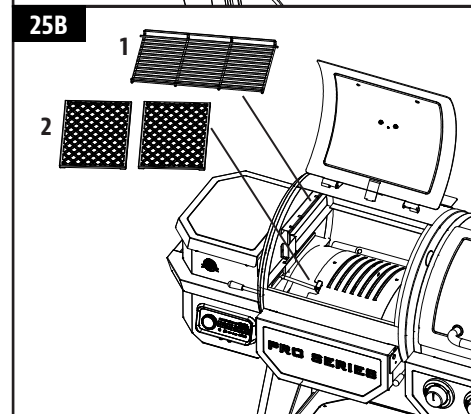
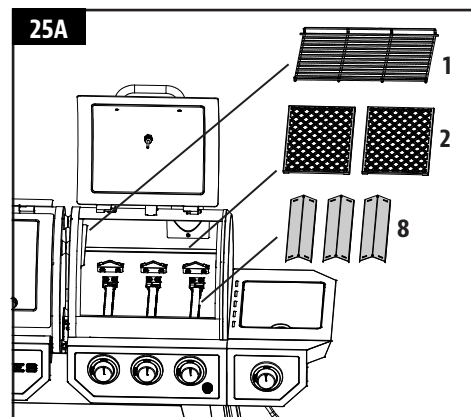
- 2 x Support de cuisson supérieur en acier émaillé (#1)
- 4 x Grilles de cuisson en fonte à revêtement de porcelaine (#2)
- 3 x Tentes à chaleur (#8)
- 1 x Barre de contrôle de la fumée (#13)

Installation:

- Tout d'abord, du côté du baril de gaz, placez les trois tentes chauffantes sur le dessus des brûleurs. Placez les grilles de cuisson, côte à côte, sur le rebord de grille à l'intérieur du gril principal. Placez la grille supérieure sur le rebord supérieur à l'intérieur du gril principal, la grille supérieure se verrouille en place. Consultez l'illustration 25A.
- Ensuite, du côté du baril à granulés, placez les grilles de cuisson, côte à côte, sur le rebord de la grille dans le gril principal. Placez la grille supérieure sur le rebord supérieur à l'intérieur du gril principal, la grille supérieure se verrouille en place. Consultez l'illustration 25B.

REMARQUE : pour conserver les performances de cuisson et de grillage de vos grilles de cuisson, une maintenance et un entretien réguliers sont nécessaires.

- Enfin, vissez la barre de réglage de la fumée dans le trou entre les deux chambres du canon et serrez-la. Assurez-vous qu'il peut glisser de l'avant vers l'arrière en douceur. Consultez l'illustration 25C.



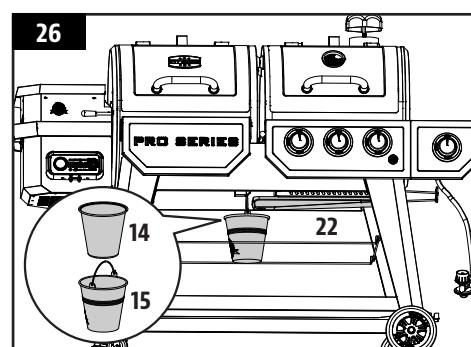
26. PLACEMENT DU SEAU À GRAISSE, DU PLATEAU À GRAISSE

Pièces nécessaires :

- 1 x Récipient intérieur du seau à graisse (#14)
- 1 x Seau à graisse (#15)
- 1 x Plateau à graisse (#22)

Installation:

- Faites glisser le plateau à graisse dans le fond du canon. Insérez le doublure du seau à graisse dans le seau à graisse, puis placez le seau à graisse sur le crochet du bec sous la grille. Assurez-vous que les deux composants sont de niveau pour éviter les déversements de graisse.



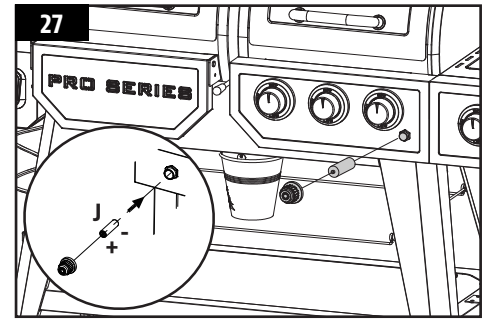
27. INSTALLATION DE LA BATTERIE

Pièces nécessaires :

- 1 x Batterie AA (#J)

Installation:

- Dévissez le bouchon de l'allumeur du panneau de contrôle. Insérez la pile dans le logement de la pile avec l'extrémité positive (+) tournée vers l'extérieur. Revissez le capuchon sur le panneau.
- L'appareil est désormais entièrement assemblé.

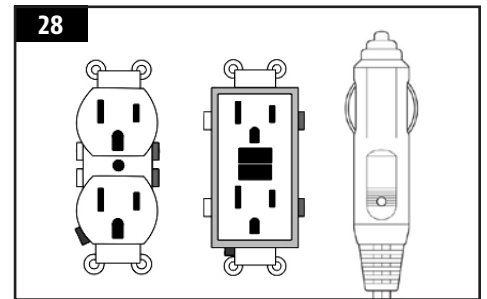


28. CONNEXION À UNE SOURCE D'ALIMENTATION

- **PRISE STANDARD**
Cet appareil nécessite un voltage de 110-120 volts, 60hz, 250w. Il doit utiliser une fiche de mise à la terre à 3 broches. Assurez-vous que la mise à la terre n'est pas rompue avant utilisation. Le contrôle utilise un fusible à action rapide de 5 ampères et 110-120 volts pour protéger le panneau de l'allumeur.
- **LES PRISES GFCI**
Cet appareil fonctionnera sur la plupart des prises GFCI, avec une taille recommandée de 15 ampères. Si votre prise GFI est très sensible aux surtensions, elle sera probablement touchée par un court-circuit pendant la phase d'allumage. Pendant la phase d'allumage, l'allumeur nécessite entre 200 et 700 watts de tension, ce qui peut représenter trop de puissance pour une prise GFI. Chaque fois qu'il y a une surtension, il augmente sa sensibilité. Si le GFCI continue de sauter, remplacez la prise ou passez à une prise non GFCI.
- **SUR LA ROUTE**
Débranchez l'allumeur du faisceau de câbles principal. Utilisez la procédure de démarrage manuelle. Une unité Pit Boss® peut fonctionner en utilisant un onduleur de 12 volts et 100 watts branché sur votre prise automobile. Pour utiliser l'allumeur automatique, il est recommandé d'utiliser au minimum un onduleur de 1000 watts.

IMPORTANT: Débranchez l'appareil de la source d'alimentation lorsqu'il n'est pas utilisé.

IMPORTANT: Disconnect unit from power source when not in use.



CONNEXION À UNE ALIMENTATION EN GAZ

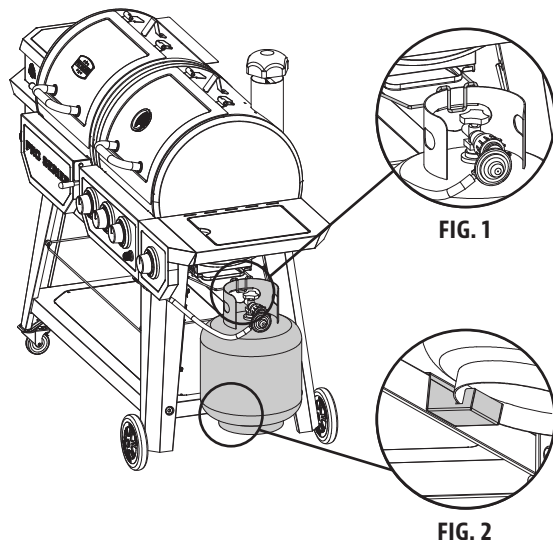
EXIGENCES RELATIVES AUX BOUTEILLES DE GAZ

Le gril est réglé et testé avec du gaz propane liquide uniquement. Le régulateur fourni est conçu pour une colonne d'eau (WC) de 11 pouces (27,94 cm) et doit être utilisé uniquement avec du gaz de pétrole liquéfié. Le détendeur et le tuyau fournis en usine doivent être utilisés avec un poids de 20 lb (9 kg) réservoir de gaz propane. **Contactez votre fournisseur de gaz pour un régulateur spécial pour le gaz en vrac qui alimente d'autres appareils.**

ATTENTION: Il est important d'inspecter toute la longueur du tuyau de la conduite de gaz. S'il est évident qu'il y a une abrasion ou une usure excessive, ou que le tuyau est coupé, le tuyau doit être remplacé avant l'utilisation de l'appareil.

INSTALLATION D'UNE BOUTEILLE DE GAZ

1. Sur le côté du chariot, placez l'anneau de pied du réservoir de 20 lb (9 kg) sur la terre. Assurez-vous que la valve du réservoir est en position OFF. Assurez-vous que le réservoir est complètement à la verticale, car il est dangereux de faire fonctionner le gril si le réservoir d'essence n'est pas installé correctement.
2. Assurez-vous que la valve du régulateur sur le gril est complètement fermée en tournant le bouton dans le sens des aiguilles d'une montre jusqu'à la position OFF.
3. Retirez les capuchons de protection de l'ouverture de la vanne de régulation et du haut de la bouteille de gaz. Gardez les bouchons.
4. Insérez la soupape de la bouteille de gaz dans l'ouverture fileté de la soupape du régulateur. Tournez le cylindre dans le sens des aiguilles d'une montre jusqu'à ce qu'il soit ferme. Serrez à la main seulement. **Fig.1**
5. La bouteille de gaz est maintenant installée.



PRÉPARATION À L'UTILISATION – TEST DE FUITE

Un test de fuite est utilisé pour déterminer l'intégrité d'un joint. Avant d'utiliser votre gril à gaz, effectuez un test d'étanchéité sur la connexion entre le régulateur et la bouteille de gaz afin de réduire les risques de blessures graves, voire mortelles, résultant d'un incendie ou d'une explosion. Un test d'étanchéité doit être effectué au moins une fois par saison, ainsi que:

- avant d'allumer votre gril pour la première fois,
- chaque fois que la bouteille de gaz a été changée,
- après un voyage, surtout sur des routes accidentées ou cahoteuses,
- après une période prolongée de stockage ou de non-utilisation.

COMMENT EFFECTUER UN ESSAI D'ÉTANCHÉITÉ

Fournitures requises:

- 1 x bol (*vide, propre*)
- 1 x pinceau (*propre*)
- Liquide vaisselle
- Eau

Procédure:

1. Placez le gril dans un endroit bien ventilé. Assurez-vous que le gril est froid au toucher et qu'il n'est pas utilisé. Vérifiez que la valeur du régulateur est sur OFF et que la bouteille de gaz est bien serrée sur le régulateur.

IMPORTANT: Assurez-vous qu'il n'y a pas de flammes nues ou de fumeurs à proximité.

2. Mélanger une solution d'une partie d'eau avec une partie de liquide vaisselle dans un bol. La solution fera des bulles, car elle sera concentrée.
3. Utilisez un pinceau pour appliquer la solution sur le joint entre le régulateur et la bouteille de gaz. Inspecter visuellement les bulles de bulles provenant d'un défaut ou d'une rupture du sceau.

REMARQUE: Si une fuite apparaît, répétez la procédure d'installation de la bouteille de gaz, sans trop serrer. Serrez à la main seulement. Répétez le test d'étanchéité après la réinstallation pour vous assurer que le joint est bien fixé.

IMPORTANT: N'utilisez pas le gril à gaz si vous détectez une fuite de gaz qui ne peut pas être corrigée à l'aide de la procédure de test de fuite. Contactez le service d'incendie ou le service clientèle de votre région pour prendre d'autres mesures de test afin de garantir les précautions appropriées.

DÉBRANCHER UNE BOUTEILLE DE GAZ

1. Assurez-vous que la valve du régulateur sur le gril est complètement fermée en tournant le bouton dans le sens des aiguilles d'une montre jusqu'à la position OFF.
2. Tournez la bouteille dans le sens contraire des aiguilles d'une montre (à la main) pour la déconnecter de l'ouverture de la vanne de régulation. Remettez en place les capuchons de protection sur l'ouverture du robinet du régulateur et le haut de la bouteille de gaz (s'ils ne sont pas vides).

REMARQUE: Si vous rangez le gril à l'intérieur, laissez la bouteille de gaz à l'extérieur.

AVERTISSEMENT: Ne pas plier ou transporter la grille avec la bouteille de gaz attachée. La bouteille peut se desserrer de la vanne et provoquer une fuite de gaz pouvant entraîner une explosion, un incendie ou des lésions corporelles graves. Débranchez d'abord la bouteille de gaz avant de voyager ou de la ranger.

N'allumez **jamais** votre gril à gaz avec le couvercle fermé ou avant de vérifier que les tubes du brûleur sont bien en place sur les orifices de la valve de gaz. Les équipements électriques fournis avec l'appareil de cuisson extérieur à gaz doit comporter les éléments suivants dans les instructions :

- Pour se prévenir de tous risques d'électrocution, n'immerger jamais le cordon, les fiches dans l'eau ou autre liquide.
- Débranchez de la prise lorsque l'appareil n'est pas utilisé ou avant d'être nettoyé. Laissez refroidir avant de mettre en place ou de retirer des pièces;
- N'utilisez pas d'appareil de cuisson extérieur à gaz ayant un cordon ou une fiche endommagée ou après un dysfonctionnement de l'appareil ou s'il a été endommagé d'une façon ou d'une autre. Contactez le fabricant pour la réparation;
- Ne laissez pas le cordon pendre au bord de la table, ni toucher des surfaces chaudes;
- N'utilisez pas l'appareil de cuisson extérieur à gaz pour un usage autre que celui prévu;
- Lors du branchement, branchez d'abord la fiche à l'appareil de cuisson extérieur à gaz, puis branchez l'appareil dans la prise de courant;
- Utilisez uniquement un circuit protégé par un disjoncteur de fuite à la terre (DDFT) avec cet appareil de gaz de cuisson extérieur;
- Ne retirez jamais la fiche de mise à la terre ou l'utiliser avec un adaptateur à 2 broches; et
- Utilisez uniquement les rallonges équipées d'une fiche de mise à la terre tripolaire, dimensionnées pour la puissance de l'appareil et approuvées pour une utilisation à l'extérieur avec un marquage W-A.

Le gril extérieur, lorsqu'il est installé, doit être mis à la terre conformément aux codes locaux ou, en l'absence de codes locaux, au Code national de l'électricité, ANSI / NFPA 70 ou au Code canadien de l'électricité, CSA C22.1.

1. N'entreposez pas la bonbonne de rechange de gaz LP à côté de cet appareil
2. Ne remplissez jamais la bouteille à plus de 80%.
3. Le non-respect scrupuleux des points 1 et 2 peut entraîner la mort ou de graves blessures.

4. Remettez le capuchon anti-poussière sur l'orifice de sortie du robinet de la bouteille quand celle-ci n'est pas utilisée. N'installez sur l'orifice de sortie du robinet de la bouteille que le type de capuchon anti-poussière fourni avec le robinet. D'autres capuchons ou bouchons pourraient provoquer des fuites de propane.

INSTRUCTIONS D'UTILISATION DE GRANULÉS DE BOIS

Avec le style de vie actuel pour s'efforcer de manger des aliments sains et nutritifs, un facteur à considérer est l'importance de réduire la consommation de graisse. L'une des meilleures façons de réduire les graisses dans votre régime alimentaire est d'utiliser une méthode de cuisson faible en matières grasses, tel que le gril. Comme une grille à granulés utilise des granulés de bois naturels, la saveur de bois savoureux est cuite dans les viandes, ce qui réduit le besoin de sauces à haute teneur en sucre. Tout au long de ce manuel, vous remarquerez l'accent mis sur le grillage des aliments lentement aux réglages de température FAIBLE ou MOYENNE.

ENVIRONNEMENT DU GRIL

1. OÙ INSTALLER LE GRILL

Avec tous les appareils extérieurs, les conditions météorologiques extérieures jouent un rôle important dans la performance de votre gril et le temps de cuisson nécessaire pour parfaire vos repas.

Toutes les unités Pit Boss® devraient garder un dégagement minimum de 914 mm (36 pouces) des constructions combustibles, et cette distance doit être maintenue pendant la cuisson. Cet appareil ne doit pas être placé sous un plafond ou un surplomb combustible. Gardez votre gril dans une zone dégagée et exempte de matières combustibles, d'essence et d'autres vapeurs et liquides inflammables.

2. CUISINER PAR TEMPS FROIDS

Lorsqu'il commence à faire plus frais à l'extérieur, cela ne signifie pas que la saison des grillades est terminée! L'air frais et l'arôme divin des aliments fumés aideront à guérir votre blues d'hiver.

Suivez ces suggestions sur la façon de profiter de votre gril pendant les mois les plus frais:

- Si le fumage à basse température échoue, augmentez légèrement la température pour obtenir les mêmes résultats.
- Organisez – Préparez tout ce dont vous avez besoin dans la cuisine avant de vous diriger à l'extérieur. Pendant l'hiver, déplacez votre gril dans un endroit protégé du vent et du froid. Vérifiez les règlements locaux concernant la proximité de votre gril par rapport à votre maison et/ou autres constructions. Mettez tout ce dont vous avez besoin sur un plateau, emballez et lancez-vous!
- Pour suivre la température extérieure, placez un thermomètre extérieur près de votre zone de cuisson. Gardez un journal ou un historique de ce que vous avez préparé, de la température extérieure et du temps de cuisson. Cela sera utile plus tard pour vous aider à déterminer ce qu'il faut cuisiner et combien de temps cela prendra.
- Par temps très froid, augmentez votre temps de préchauffage d'au moins 20 minutes.
- Évitez de soulever le couvercle du gril plus que nécessaire. Les rafales de vents froids peuvent refroidir complètement la température de votre gril. Soyez souple quant au moment de servir; ajoutez environ 10 à 15 minutes de plus à la cuisson à chaque fois que vous ouvrez le couvercle.
- Ayez un plateau chauffé ou un couvercle de plat prêt à garder votre nourriture au chaud tout en faisant le voyage à l'intérieur.
- Les aliments idéaux pour la cuisine d'hiver sont ceux qui nécessitent peu d'attention, comme les rôtis, les poulets entiers, les côtes et la dinde. Rendez votre préparation de repas encore plus facile en ajoutant des éléments simples comme les légumes et les pommes de terre.

3. CUISINER PAR TEMPS CHAUDS

À mesure qu'il fait plus chaud à l'extérieur, le temps de cuisson diminue.

Suivez ces suggestions sur la façon de profiter de votre gril pendant les mois chauds:

- Ajustez à la baisse vos températures de cuisson. Cela permet d'éviter les poussées indésirables.
- Utilisez un thermomètre à viande pour déterminer la température interne de vos aliments. Ceci permet d'éviter que votre viande ne soit trop cuite ou se dessèche.
- Même par temps chaud, c'est mieux de cuisiner en gardant le couvercle de votre gril baissé.
- Vous pouvez garder vos aliments chauds au chaud en les enveloppant dans du papier aluminium et en les plaçant dans une glacière isolée. Placez du papier journal froissé autour du papier aluminium et cela tiendra la nourriture chaude pendant 3 à 4 heures.

PLAGES DE TEMPÉRATURES DU GRIL

Les lectures de température sur le panneau de contrôle peuvent ne pas correspondre exactement au thermomètre. Toutes les températures indiquées ci-dessous sont approximatives et sont affectées par les facteurs suivants: la température ambiante extérieure, la quantité et la direction du vent, la qualité du combustible à granulés utilisé, le couvercle ouvert et la quantité de nourriture en cours de cuisson.

• TEMPÉRATURES ÉLEVÉES (205-260°C / 401-500°F)

Cette gamme est de préférence utilisée pour sécher et griller à haute température. Utiliser en tandem avec la chaudière (plateau latéral) pour une cuisson indirecte ou directe de la flamme. Lorsque **la chaudière est ouverte**, la flamme directe est utilisée pour créer ces steaks « blue » ainsi que des légumes à la flamme, des toasts à l'ail ou même des s'mores! Lorsque **la chaudière est fermée**, l'air circule autour du baril ce qui conduit à une chaleur de convection. La température élevée est également utilisée pour préchauffer votre gril, brûler les grilles de cuisson et obtenir un feu vif par froid extrême.

• TEMPÉRATURE MOYENNE (135-180°C / 275-356°F)

Cette gamme est idéale pour cuire au four, rôtir et terminer votre création à fumaison lente. La cuisson à ces températures réduira considérablement les risques de poussée de graisse. Assurez-vous que la glissière de chaudière est en position fermée, couvrant les ouvertures à fente. Excellente gamme pour cuisiner n'importe quoi enveloppé dans du bacon, ou où vous voulez une polyvalence avec contrôle.

• BASSE TEMPÉRATURE (82-125°C / 180-257°F)

Cette gamme permet rôtir lentement, d'augmenter la saveur fumée et de garder les aliments au chaud. Infusez plus de saveur fumée et gardez vos viandes juteuses en cuisinant plus longtemps à une température plus basse (également connu sous le nom de **faible et lent**). Il est recommandé pour la grande dinde pour Thanksgiving, jambon juteux à Pâques, ou l'immense fête de Noël.

Le fumage est une variation de vrai barbecue et est vraiment le premier avantage de la cuisson sur un gril à pastilles de bois. **Le fumage à chaud**, un autre nom pour la cuisson **faible et lente**, se fait généralement à 82-125°C / 180-257°F. Le fumage à chaud fonctionne mieux lorsqu'un temps de cuisson plus long est nécessaire, comme pour les grandes coupes de viande, de poisson ou de volaille.

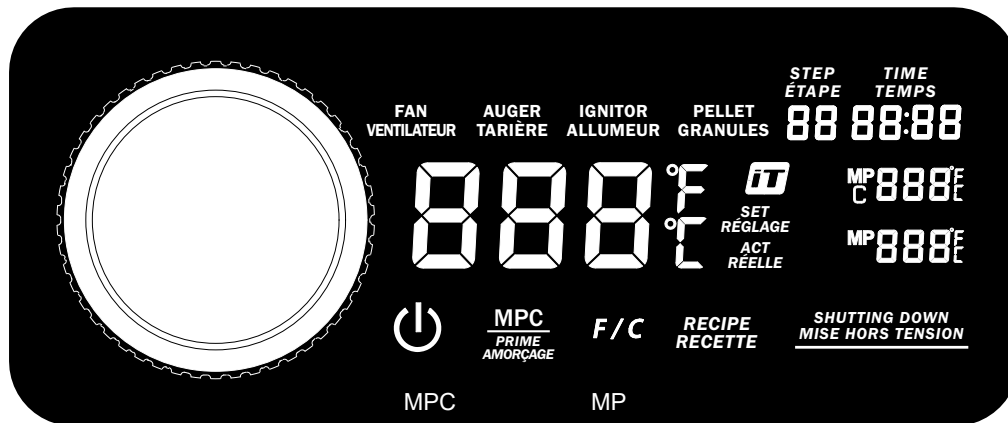
CONSEIL: Pour intensifier cette saveur salée, passez à la température de fumée (basse) immédiatement après avoir mis vos aliments sur le gril. Cela permet à la fumée de pénétrer dans les viandes.

La clé consiste à expérimenter le temps que vous autorisez à fumer, avant que le repas ne soit cuit. Certains chefs de plein air préfèrent fumer à la fin d'une cuisson, ce qui permet à la nourriture de rester au chaud jusqu'à ce qu'elle soit prête à être servie. La pratique rend parfait!

PRÉSENTATION DU PANNEAU DE CONTRÔLE

Cette panneau de contrôle numérique P.I.D. (proportionnel-intégral-dérivé) est très semblable aux commandes de votre four de cuisine. Les principaux avantages sont la possibilité de compenser automatiquement les différentes conditions ambiantes et les différents types de combustibles.

IMPORTANT : La température à l'intérieur de tout gril varie considérablement d'un endroit à l'autre. Même des instruments calibrés ensemble peuvent ne pas être en accord les uns avec les autres.



CONTRÔLE	DESCRIPTION
	Appuyez une fois sur ce bouton pour mettre l'appareil en marche. Cela permettra de lancer le cycle de démarrage automatique. Maintenez ce bouton appuyé pendant trois secondes pour mettre l'appareil hors tension, ce qui activera le cycle de refroidissement automatique. Le bouton clignote en blanc lorsqu'il est connecté à une source d'alimentation, et reste fixe lorsque l'appareil est en marche.
	L'icône Smoke iT® indique une connexion à un réseau sans fil. Lorsque l'appareil recherche une connexion via Wi-Fi ou Bluetooth®, l'icône Smoke iT® clignote. Une fois la connexion Wi-Fi établie, l'icône Smoke iT® ne clignote plus. Lorsque vous êtes connecté, vous pouvez obtenir des informations en direct sur la température actuelle du gril et celle programmée, sur le temps de cuisson, ainsi que sur la température des sondes de cuisson. Vous pouvez également régler les paramètres de votre panneau de contrôle.
F / C	Appuyez rapidement sur ce bouton pour activer le changement d'unité de température et afficher un relevé différent. Vous pouvez sélectionner Celsius (°C) à Fahrenheit (°F), selon votre préférence. Par défaut, l'appareil est en Fahrenheit.
MPC PRIME AMORÇAGE	Ce bouton possède deux fonctions : contrôle de la sonde de cuisson (MPC) et Prime. <ol style="list-style-type: none"> Appuyer rapidement sur ce bouton active la sonde de cuisson programmable, il s'agit du premier port de connexion de sonde de cuisson (MPC). Utilisez le bouton de commande pour configurer la température de la sonde de cuisson programmable. Appuyez de nouveau sur le bouton de commande pour confirmer votre choix et quitter les paramètres de la sonde de cuisson programmable. Maintenez ce bouton appuyé durant trois secondes pour acheminer manuellement en continu plus de granulés vers le pot de combustion. Le relâchement du bouton interrompt l'alimentation manuelle des granulés. Ce processus peut permettre d'ajouter plus de combustible au feu avant d'ouvrir le couvercle du corps de l'appareil, entraînant une récupération de chaleur rapide. Il peut également s'utiliser en cours de fumage afin d'augmenter l'intensité du parfum fumé. Cette fonctionnalité a été demandée par les cuisiniers participant à des concours.
	Le bouton de commande est utilisé pour augmenter, diminuer et sélectionner une valeur de réglage. Tournez le bouton de commande pour sélectionner l'heure, la température ou l'étape dans un menu de paramètres actifs. Appuyez sur le bouton de commande pour confirmer la valeur choisie.

	<p>Le relevé central affiche à la fois la température actuelle et celle programmée. La température actuelle s'affiche en permanence, sauf si la température programmée est en train d'être modifiée. La température actuelle représente la température à l'intérieur du corps principal. Le relevé de la température actuelle est effectué par la sonde du grill (capteur) située à l'intérieur du corps de l'appareil.</p> <p>Afin d'afficher la température programmée, appuyez sur le bouton de commande. La température programmée est active lorsque le relevé clignote. Afin de régler la température programmée, tournez le bouton de commande, au besoin. Une fois la température programmée souhaitée affichée, appuyez sur le bouton de commande afin de la confirmer, le relevé affichera alors de nouveau la température actuelle.</p>
RECIPE RECETTE	<p>Appuyez une fois sur le bouton pour activer les étapes de recette. Il existe neuf étapes de recette disponibles. Ajustez les paramètres de chaque étape de recette en utilisant le bouton de commande.</p>
STEP ÉTAPE 88	<p>Affiche l'actuelle étape de recette.</p>
TIME TEMPS 88:88	<p>Affiche la durée paramétrée lors de l'étape de recette. Appuyez sur le bouton Recette (Recipe) pour activer les paramètres de recette. Utilisez le bouton de commande pour passer d'une étape à l'autre, l'une d'entre elles est la durée.</p>
MP C 888°F	<p>Affiche l'actuelle température et celle configurée pour la sonde de cuisson programmable, il s'agit du premier port de branchement de sonde de cuisson (MPC). La température actuelle s'affiche en permanence, sauf si la température programmée est en train d'être modifiée. Lorsque vous appuyez sur le bouton MPC, le relevé de la sonde de cuisson sélectionnée clignote et vous pouvez ajuster la température programmée. Lorsque vous ne l'utilisez pas, débranchez la sonde de cuisson du port de connexion et le code « noP » s'affichera. Uniquement compatible avec les sondes de cuisson de la marque Pit Boss® Grills.</p>
MP 888°F	<p>Affiche la température actuelle de la sonde de cuisson. Ce relevé de la sonde de cuisson correspond au port de connexion (MP). Lorsque vous ne l'utilisez pas, débranchez la sonde de cuisson du port de connexion et le code « noP » s'affichera. Uniquement compatible avec les sondes de cuisson de la marque Pit Boss® Grills.</p>
SHUTTING DOWN MISE HORS TENSION	<p>Ce relevé s'affiche après sélection de la mise hors tension. Il indique que le cycle de refroidissement automatique a débuté. Une fois le cycle de refroidissement terminé, le relevé ne sera plus visible.</p>
FAN VENTILATEUR	<p>L'icône de VENTILATEUR est visible lorsque le ventilateur est en marche. Lorsque le relevé central affiche un code d'erreur (Err) et que l'icône de VENTILATEUR clignote, le ventilateur ne fonctionne pas. Consultez la section Dépannage pour obtenir de l'aide.</p>
AUGER TARIÈRE	<p>L'icône de TARIÈRE est visible lorsque la vis sans fin tourne. Lorsque le relevé central affiche un code d'erreur (Err) et que l'icône de TARIÈRE clignote, la vis sans fin ne fonctionne pas. Consultez la section Dépannage pour obtenir de l'aide.</p>
IGNITOR ALLUMEUR	<p>L'icône d'ALLUMEUR est visible lorsque l'allumeur est en marche. Lorsque le relevé central affiche un code d'erreur (Err) et que l'icône d'ALLUMEUR clignote, l'allumeur ne fonctionne pas. Consultez la section Dépannage pour obtenir de l'aide.</p>
PELLET GRANULES	<p>Lorsque le relevé central affiche un code d'erreur (Err) et que l'icône de GRANULES est visible, le feu dans le pot de combustion est éteint ou bien la trémie est vide. Consultez la section Dépannage pour obtenir de l'aide.</p>

FONCTIONS DU PANNEAU DE CONTRÔLE

• RÉGLAGE D'UNE TEMPÉRATURE DE CUISSON

La sonde du gril mesure la température interne du baril principal. Lorsque la température de cuisson est ajustée, la sonde du gril lit la température réelle à l'intérieur du baril principal et l'ajuste à la température de cuisson souhaitée.

IMPORTANT : la température de votre appareil est extrêmement dépendante de la température extérieure ambiante, de la qualité des granulés utilisés, du parfum des granulés et de la quantité d'aliments en train de cuire.

RÉGLER/AJUSTER LA TEMPÉRATURE PROGRAMMÉE

Pour ajuster la température programmée du gril, suivez les étapes ci-dessous :

1. Appuyez sur le bouton de commande. La température programmée clignotera alors pour indiquer qu'elle est active.
2. Utilisez de nouveau le bouton de commande pour ajuster la température souhaitée.
3. Une fois la température programmée souhaitée affichée, appuyez sur le bouton de commande afin de la confirmer, le relevé affichera alors de nouveau la température actuelle.

• UTILISATION DE LA SONDE DE CUISSON PROGRAMMABLE

La sonde de cuisson mesure la température interne de la viande sur le gril, tout comme dans votre four. Insérez la sonde de cuisson en acier inoxydable dans la partie la plus épaisse de la viande. La température interne s'affiche sur le relevé du panneau de contrôle. Branchez l'adaptateur de la sonde de cuisson au port de connexion de la sonde de cuisson en veillant à ce qu'il soit bien inséré jusqu'au fond. Un bruit vous indiquera qu'il est bien en place. En plus de cuire la viande à la température souhaitée, le processus passera également automatiquement le gril sur une température basse (82 °C) pour que la nourriture soit toujours chaude au moment d'être servie. Configurez l'appareil et détendez-vous pendant que la sonde de cuisson travaille à votre place !

REMARQUE : lorsque vous placez la sonde de cuisson dans votre viande, veillez à ce que celle-ci et les câbles ne soient pas en contact direct avec la flamme ou une source de chaleur excessive. Cela pourrait endommager votre sonde de cuisson. Faites passer l'excès de câble via le trou situé du côté gauche du gril principal (près du gond du couvercle). Lorsque vous ne l'utilisez pas, débranchez la sonde de cuisson du port de raccordement et mettez-la de côté en veillant à ce qu'elle reste propre et en sécurité.

CONFIGURATION/AJUSTEMENT DE LA SONDE DE CUISSON PROGRAMMABLE

Pour configurer la température souhaitée de la sonde de cuisson programmable, suivez les étapes ci-dessous :

1. Appuyez rapidement sur le bouton MPC pour activer la sonde de cuisson programmable. Lorsqu'une sonde est active, le relevé de température de la sonde de cuisson clignote.
2. Utilisez le bouton de commande pour ajuster la température souhaitée.
3. Une fois la température souhaitée de la sonde de cuisson sélectionnée affichée, appuyez de nouveau sur le bouton de commande afin de la confirmer et de quitter les paramètres de la sonde de cuisson programmable.

• PROGRAMMER UNE RECETTE

La fonction Recette permet à l'utilisateur de programmer des instructions de cuisson, nommées étapes de la recette, que le panneau de contrôle suivra et lancera automatiquement. Ces instructions combinent la température et le temps de cuisson. En débutant par la première étape de la recette (01), le panneau de contrôle effectuera chaque étape afin de préparer le plat. Lorsque toutes les étapes de la recette sont terminées, le panneau de contrôle passe automatiquement à une température basse de 82 °C afin que le plat reste chaud jusqu'au moment de le servir. Au total, neuf étapes de recette peuvent être programmées.

COMMENT PROGRAMMER UNE ÉTAPE DE LA RECETTE

Pour définir une ou plusieurs des étapes de la recette, suivez les instructions ci-dessous :

1. Maintenez le bouton Recette appuyé. Ce dernier clignotera, indiquant que les paramètres de recette sont actifs. Cela activera également les étapes de la recette et la lettre « S » s'allumera, indiquant qu'elles sont actives.
 - Utilisez les flèches de réglage pour sélectionner l'étape de la recette. Commencez par la première étape de la recette (01).
 - Une fois l'étape de la recette désirée affichée, appuyez sur le bouton Recette pour passer au réglage suivant.
 2. Réglez les heures. Les chiffres des heures clignotent pour indiquer qu'elles sont sélectionnées.
 - Utilisez les flèches de réglage pour sélectionner le nombre d'heures souhaité.
 - Une fois le nombre d'heures désiré affiché, appuyez sur le bouton Recette pour passer au réglage suivant.
 3. Réglez les minutes. Les chiffres des minutes clignotent pour indiquer qu'elles sont sélectionnées.
 - Utilisez le bouton de commande pour sélectionner le nombre de minutes souhaité.
 - Une fois le nombre de minutes souhaité affiché, appuyez sur le bouton de commande pour passer au réglage suivant.
 4. Réglez la température. L'affichage central de la température clignote pour indiquer qu'elle est sélectionnée.
 - Utilisez le bouton de commande pour sélectionner la température souhaitée.
 - Une fois la température souhaitée affichée, maintenez appuyé le bouton Recette (Recipe) pour verrouiller les paramètres de cette étape de recette.
 - Pour configurer une autre étape de la recette, appuyez rapidement sur le bouton Recette afin de sélectionner une autre étape, programmant ainsi une cuisson comportant plusieurs étapes. Répétez la procédure ci-dessus autant que nécessaire.
- Ou,
- Maintenez de nouveau appuyé le bouton Recette pour sortir des menus et lancer la recette. Le bouton Recette ne clignotera plus.

REMARQUE : les étapes de la recette seront réinitialisées lorsque l'appareil sera éteint.

CONNEXION À L'APPLICATION SMOKE iT®

Suivez ces instructions pour connecter votre barbecue à l'application Smoke iT® avec votre appareil Android™ ou iOS®. L'application vous permettra de contrôler et de surveiller les températures de votre gril et de votre sonde à viande depuis votre appareil mobile. Profitez des avantages de la connectivité mobile Smoke IT®!

1. Téléchargez l'application Smoke iT®. Ouvrez l'application et autorisez Bluetooth® à être activé pour la configuration. Les nouveaux utilisateurs devront créer un compte et suivre les invites pour se connecter.
2. Si vous êtes à portée Bluetooth® (9 m / 30 pieds), l'application Smoke iT® détectera automatiquement votre gril. Sélectionnez votre modèle de gril. Si vous ne voyez pas votre gril sur l'écran, assurez-vous que votre appareil est connecté à une source d'alimentation et qu'il est allumé.
3. Nommez votre modèle de gril (c.-à-d. My Smoker) dans l'application et sélectionnez «Connecter» en bas de l'écran. Cela enregistrera votre modèle de gril dans le menu des appareils.
4. Dans le menu des appareils, cliquez sur le modèle de gril à connecter. Cela vous montrera l'écran du panneau de contrôle.
5. Cliquez sur l'option des paramètres (engrenage) dans le coin supérieur droit, entrez vos informations d'identification Wi-Fi, puis cliquez sur la coche en bas de l'écran pour vous connecter. Désormais, les icônes Bluetooth® et Wi-Fi (cloud) s'affichent dans le menu des appareils, indiquant que le gril est connecté.

Lors de l'utilisation de l'application, l'écran brillera lorsque le gril est actif et connecté. Si l'écran ou le gril de l'application s'assombrit dans le menu des appareils, vérifiez votre connexion sans fil ou votre source d'alimentation.

PROCÉDURE D'AMORCE DE LA TRÉMIE

Ces instructions doivent être respectées lors du premier allumage du gril et à chaque fois qu'il n'y a plus de granulés dans la trémie. La vis sans fin doit être amorcée pour permettre aux granulés de traverser la trémie et remplir le pot de combustion. **Si elle n'est pas amorcée, l'allumeur stoppera avant que les granulés ne soient brûlés et aucun feu ne prendra.** Suivez ces étapes pour amorcer la trémie :

1. Ouvrez ensuite le couvercle du corps principal. Retirez tous les composants de cuisson de l'intérieur du gril. Localisez le pot de combustion au bas du corps principal. Vérifiez que le pot de combustion n'est pas obstrué afin que l'allumage se fasse correctement.
2. Branchez le câble électrique à une source d'alimentation. Appuyez sur le bouton d'alimentation pour allumer l'appareil et tournez la molette de contrôle de température sur la position SMOKE. Vérifiez les éléments suivants :
 - Que vous entendez la vis sans fin tourner. Placez votre main au-dessus du pot de combustion et cherchez la circulation d'air. Ne placez pas votre main ou vos doigts à l'intérieur du pot de combustion. Cela peut provoquer des blessures.
 - Après environ une minute, vous devriez sentir l'odeur de l'allumeur qui brûle et commencer à ressentir que l'air devient plus chaud dans le pot de combustion. L'extrémité de l'allumeur ne devient pas rouge, mais est néanmoins brûlante. Ne touchez pas l'allumeur.
3. Après avoir vérifié que les composants électriques fonctionnent correctement, appuyez sur le bouton d'alimentation pour éteindre l'appareil.
4. Ouvrez le couvercle de la trémie. Assurez-vous qu'aucun objet étranger ne se trouve dans la trémie ou le système d'acheminement de la vis sans fin. Remplissez la trémie avec des granulés secs de bois naturel pour barbecue.
5. Appuyez sur le bouton d'alimentation pour allumer l'appareil. Laissez la molette de contrôle de température sur SMOKE. Maintenez le bouton Prime appuyé jusqu'à voir des granulés à l'intérieur du gril via le tube de la vis sans fin. Lorsque les granulés commencent à passer dans le pot de combustion, relâchez le bouton Prime.
6. Appuyez sur le bouton d'alimentation pour éteindre l'appareil.
7. Réinstallez les composants dans le corps principal. Le gril est désormais prêt à être utilisé.

PREMIÈRE UTILISATION - BRÛLAGE DU GRIL

Une fois votre trémie amorcée et avant de faire cuire des aliments sur votre grill pour la première fois, il est important d'effectuer un brûlage du grill. Allumez le grill et faites-le tourner à une température supérieure à 176 °C/350 °F (couvercle fermé) durant 30 à 40 minutes afin de brûler le grill et vous débarrasser de toute substance étrangère.

PROCÉDURE DE DÉMARRAGE AUTOMATIQUE

1. Branchez le câble électrique à une source d'alimentation mise à la terre. Ouvrez le couvercle du corps principal. Vérifiez que le pot de combustion n'est pas obstrué afin que l'allumage se fasse correctement. Ouvrez le couvercle de la trémie. Assurez-vous qu'aucun objet étranger ne se trouve dans la trémie ou le système d'acheminement de la vis sans fin. Remplissez la trémie avec des granulés secs de bois naturel pour barbecue.
2. Appuyez sur le bouton d'alimentation pour allumer l'appareil. Cela activera le cycle de démarrage. Le système d'acheminement de la vis sans fin commencera à tourner, l'allumeur commencera à rougeoyer et le ventilateur aérera le pot de combustion. Le grill commencera à produire de la fumée lorsque le cycle de démarrage se mettra en place. Le couvercle du corps de l'appareil doit rester ouvert au cours du cycle de démarrage. Pour veiller à ce que le cycle de démarrage commence correctement, soyez à l'affût d'un grondement de flamme et assurez-vous de la production de chaleur.
3. Une fois l'épaisse fumée blanche dissipée, le cycle de démarrage sera terminé et vous pourrez commencer à profiter de votre grill à la température de votre choix !

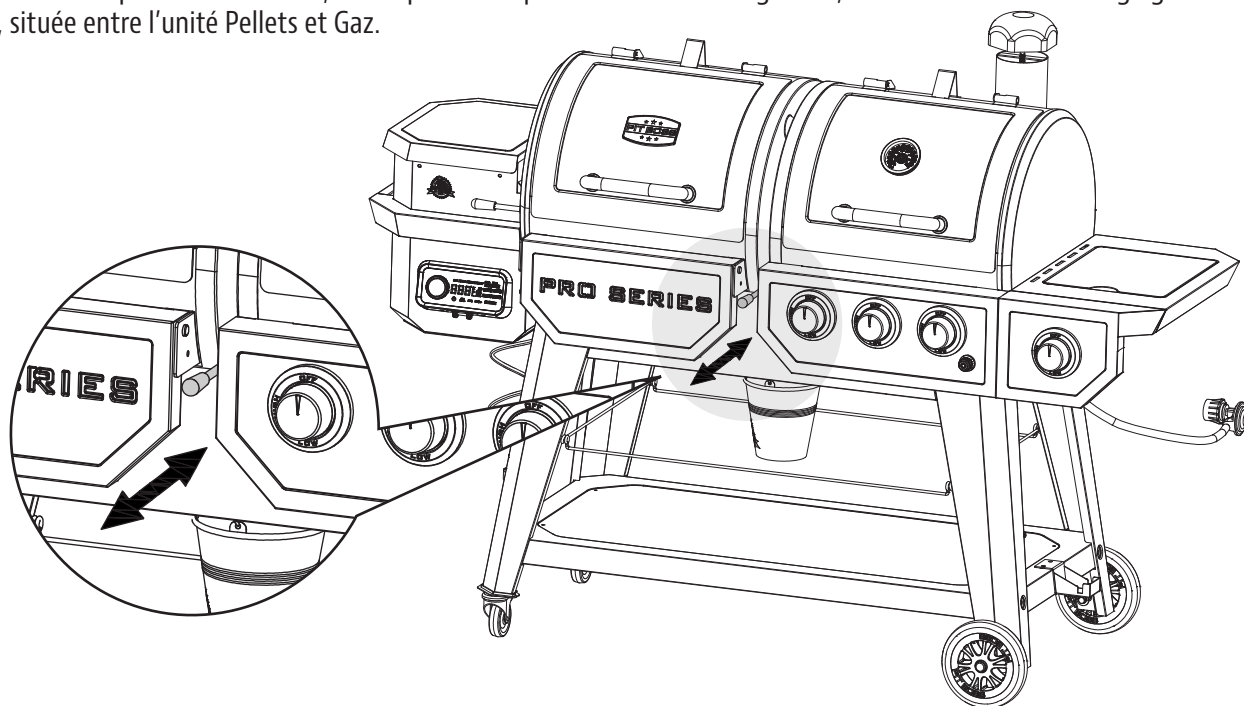
ARRÊT DE VOTRE GRIL

1. Lorsque vous avez fini de cuisiner, tout en laissant le couvercle du corps principal fermé, appuyez sur le bouton d'alimentation pour éteindre l'appareil et placez la molette de contrôle de température sur OFF. Le grill débutera son cycle de refroidissement automatique. Le système de la vis sans fin arrêtera d'acheminer des combustibles, la flamme s'éteindra et le ventilateur continuera à tourner jusqu'à la fin du cycle de refroidissement.

MODE D'EMPLOI FUMÉE

UTILISATION DE BARRE D'AJUSTEMENT DE FUMÉE

Pour contrôler la quantité de fumée, ainsi que la température de cuisson globale, tirez sur la Barre de Réglage de la Fumée ouverte, située entre l'unité Pellets et Gaz.



INSTRUCTIONS D'UTILISATION DU GAZ PROPANE

ENVIRONNEMENT DU GRIL

1. OÙ INSTALLER LE GRIL

Avec tous les appareils extérieurs, les conditions météorologiques extérieures jouent un rôle important dans les performances de votre gril et dans le temps de cuisson nécessaire pour parfaire vos repas. Tous les appareils Pit Boss® Grills doivent conserver un dégagement minimal de 914 mm (36 pouces) par rapport aux constructions combustibles, et ce dégagement doit être maintenu pendant que le gril est opérationnel. Cet appareil ne doit pas être placé sous un plafond ou surplomb combustible inflammable. Gardez votre gril dans un endroit dégagé de tout matériau combustible, de vapeur ou de liquide inflammable.

2. CUISINER PAR TEMPS FROIDS

Lorsqu'il commence à faire plus frais à l'extérieur, cela ne signifie pas que la saison des grillades est terminée! L'air frais et l'arôme divin des aliments fumés aideront à guérir votre blues d'hiver. Suivez ces suggestions sur la façon de profiter de votre barbecue pendant les mois les plus frais :

- Si le fumage à basse température échoue, augmentez légèrement la température pour obtenir les mêmes résultats.
- Organisez – Préparez tout ce dont vous avez besoin dans la cuisine avant de vous diriger à l'extérieur. Pendant l'hiver, déplacez votre barbecue dans un endroit protégé du vent et du froid. Vérifiez les règlements locaux concernant la proximité de votre barbecue par rapport à votre maison et/ou autres constructions. Mettez tout ce dont vous avez besoin sur un plateau, emballez et lancez-vous!
- Pour surveiller la température extérieure, placez un thermomètre extérieur près de votre zone de cuisson. Gardez un journal ou un historique de ce que vous avez préparé, de la température extérieure et du temps de cuisson. Cela sera utile plus tard pour vous aider à déterminer ce qu'il faut cuisiner et combien de temps cela prendra.
- Ayez un plateau chauffé ou un couvercle de plat prêt à garder votre nourriture au chaud tout en faisant le voyage à l'intérieur.

3. CUISINER PAR TEMPS CHAUDS

À mesure qu'il fait plus chaud à l'extérieur, le temps de cuisson diminue. Suivez ces suggestions sur la façon de profiter de votre barbecue pendant les mois chauds :

- Ajustez à la baisse vos températures de cuisson. Cela permet d'éviter les poussées indésirables.
- Utilisez un thermomètre à viande pour déterminer la température interne de vos aliments. Ceci permet d'éviter que votre viande ne soit trop cuite ou se dessèche.
- Vous pouvez garder vos aliments chauds au chaud en les enveloppant dans du papier aluminium et en les plaçant dans une glacière isolée. Placez du papier journal froissé autour du papier aluminium et cela tiendra la nourriture chaude pendant 3 à 4 heures.

PREMIÈRE UTILISATION - BRÛLAGE DU GRIL

Avant de cuisiner sur votre barbecue pour la première fois, il est important de compléter un fonctionnement à vide du barbecue. Démarrez le barbecue et faites le fonctionner à toute température supérieure à 176 ° C / 350 ° F, avec le couvercle fermé, pendant 30 à 40 minutes pour brûler le barbecue et le débarrasser de toute matière étrangère.

PROCÉDURE DE DÉMARRAGE AUTOMATIQUE

1. Vérifiez que le bouton du régulateur est tourné sur la position OFF.
2. Notez le repère triangulaire sur le boîtier du régulateur en argent. Enfoncez le bouton du régulateur et tournez-le à 270 degrés (ou 3/4) dans le sens anti-horaire à HIGH.
3. Appuyez plusieurs fois sur le bouton de l'allumeur jusqu'à ce que la flamme s'éteigne. Écoutez le déclic indiquant une étincelle de l'allumeur et recherchez une flamme pour vous assurer que le brûleur est allumé.
4. Une fois que le brûleur a pris feu, vous êtes prêt à profiter de votre gril à la température désirée!

Si le brûleur s'éteint pendant le fonctionnement, tournez le bouton du régulateur en position OFF. Ouvrez le couvercle du gril et attendez cinq minutes avant d'essayer de le rallumer pour permettre à tout gaz accumulé de se dissiper.

PROCÉDURE D'ÉCHEC D'ALLUMAGE

Si pour une raison quelconque votre allumeur échoue après trois tentatives sur quatre, vérifiez les étapes suivantes ou démarrez votre gril en utilisant la méthode manuelle.

1. Assurez-vous que le bouton du régulateur est en position OFF. Permettre à tout gaz accumulé de se dissiper.
2. Après cinq minutes, vérifiez les points suivants:
 - Confirmez visuellement que l'allumeur fonctionne en appuyant sur le bouton de l'allumeur et en regardant le bout de l'allumeur à la recherche d'une étincelle. S'il n'y a pas d'étincelle, réglez la distance entre la pointe de l'allumeur (électrode) et le brûleur à 4,5 mm (3/16 ").
 - Vérifiez visuellement que le tube du brûleur et les hublots ne sont pas obstrués. S'il est bloqué, suivez les **instructions d'entretien et de maintenance**.
3. Si les points ci-dessus ne fonctionnent pas, suivez les instructions de **dépannage**.

PROCÉDURE DE DÉMARRAGE MANUELLE

1. Vérifiez que le bouton du régulateur est tourné sur la position OFF. Ouvrez le couvercle du gril pour libérer tout gaz piégé.
2. Notez le repère triangulaire sur le boîtier du régulateur en argent. Enfoncez le bouton du régulateur et tournez-le à 270 degrés (ou 3/4) dans le sens anti-horaire à HIGH.
3. Rapidement et avec précaution, placez une flamme allumée à proximité du brûleur à l'aide d'un allumette ou d'un briquet à long bec et observez-le prendre feu. N'essayez pas d'allumer une autre zone du brûleur. Cela peut causer des blessures.

REMARQUE: N'utilisez pas d'alcool, de liquide pour briquet ou de kérosène pour allumer ou rafraîchir un feu dans votre gril.

4. Continuez le démarrage en suivant les étapes quatre et cinq de la **procédure de démarrage automatique**.

PREMIÈRE UTILISATION – FONCTIONNEMENT DES BRÛLEURS

1. Assurez-vous que toutes les étiquettes, l'emballage et les films de protection ont été retirés du gril.
2. Enlevez les huiles de fabrication avant de cuire sur ce gril pour la première fois en faisant fonctionner le gril pendant au moins 15 minutes à température ÉLEVÉE avec le couvercle fermé. Cela permet de « nettoyer à chaud » les pièces internes et de dissiper les odeurs.

ALLUMAGE

ATTENTION : placez votre appareil de cuisson à gaz extérieur dans une zone dégagée, sans matériaux combustibles, essence, ni autres vapeurs et liquides inflammables. NE bouchez PAS le flux de combustion et l'air de ventilation de cet appareil. Vérifiez et nettoyez le brûleur/les tubes venturi pour éliminer les insectes et les nids d'insectes. Un tube obstrué peut provoquer un incendie. Essayer d'allumer le brûleur avec un couvercle fermé peut provoquer une explosion.

1. Ouvrez le couvercle. Vérifiez qu'il n'y a pas d'obstructions du flux d'air vers les brûleurs. Les araignées, insectes et toiles peuvent obstruer le brûleur/le tube venturi. Un brûleur obstrué peut provoquer un incendie.
2. Tous les boutons de contrôle doivent se trouver dans la position OFF. Branchez la bouteille de gaz de pétrole liquéfié conformément à la section « Installation de la bouteille de gaz de pétrole liquéfié ». Positionnez la vanne de la bouteille de gaz de pétrole liquéfié sur OPEN.
3. Appuyez sur le bouton de contrôle et tournez-le sur HIGH. Le brûleur doit s'allumer. Si tel n'est pas le cas, répétez l'opération jusqu'à trois fois. Si l'allumage n'a pas lieu en 5 secondes, tournez le bouton de contrôle du brûleur sur OFF, patientez 5 minutes et répétez la procédure d'allumage.

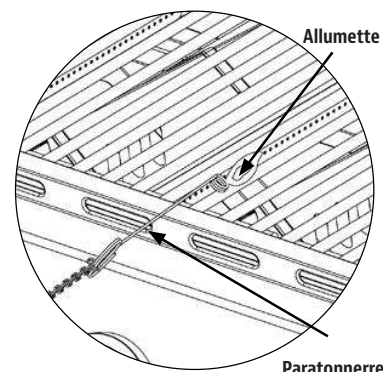


FIG. 3

- Si l'allumeur n'allume pas le brûleur, utilisez une allumette fixée sur la tige d'allumage (incluse avec le gril) pour allumer les brûleurs. Accédez aux brûleurs au travers de la grille de cuisson et des plaques chauffantes. Positionnez l'allumette sur le côté du brûleur. (Fig. 3).

Important : utilisez toujours la tige d'allumage (incluse) lors de l'allumage des brûleurs avec une allumette.

- Après l'allumage, observez la flamme du brûleur. Assurez-vous que tous les orifices du brûleur sont allumés et que la hauteur de la flamme correspond à l'illustration. (Fig. 4).

REMARQUE : chaque brûleur s'allume indépendamment - répétez les étapes 5 à 9 pour les autres brûleurs.

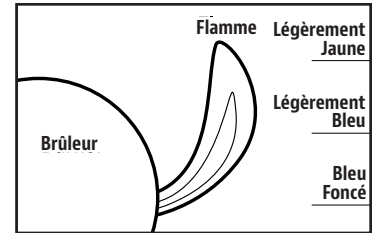


FIG. 4

ATTENTION : si la flamme du brûleur s'éteint pendant l'utilisation, positionnez immédiatement les boutons de contrôle sur OFF, fermez la vanne de la bouteille de gaz de pétrole liquéfié et ouvrez le couvercle pour laisser le gaz s'échapper pendant 5 minutes avant le réallumage.

ARRÊT DE VOTRE GRIL

- Positionnez la vanne de la bouteille de gaz de pétrole liquéfié sur CLOSED.
- Tournez tous les boutons de contrôle dans le sens horaire en position OFF.
REMARQUE : un bruit de « pouf » est normal car le reste du gaz de pétrole liquéfié est brûlé.
- Débranchez la bouteille de gaz de pétrole liquéfié conformément à la section **Débrancher la bouteille de gaz de pétrole liquéfié.**

AVERTISSEMENT : laissez le gril refroidir totalement, et retirez la bouteille de gaz avant tout déplacement, voyage ou stockage.

CONTRÔLE DES FLAMBÉES

Les flambées font partie de la cuisson des viandes sur un gril et ajoutent la saveur unique de la grillade. Des flambées excessives peut trop cuire vos aliments et être dangereuses. Important: En cas de feu de graisse, fermez le couvercle ET tournez le(s) bouton(s) de contrôle sur OFF jusqu'à ce que la graisse soit totalement brûlée. Faites attention lors de l'ouverture du couvercle car une flambée soudaine peut se produire. Si une flambée excessive se produit, NE versez PAS d'eau sur les flammes.

ATTENTION : l'extinction des feux de graisse en fermant uniquement le couvercle est impossible. Des flambées excessives résultent en une accumulation de graisse au fond de votre gril.

- Si un feu de graisse survient, tournez les boutons de commande en position OFF, positionnez la vanne de la bouteille de gaz de pétrole liquéfié sur CLOSED. N'utilisez PAS d'eau sur un feu de graisse. Cela peut provoquer des éclaboussures de graisse et aboutir à des brûlures graves, des blessures corporelles ou d'autres dommages.
- NE laissez PAS le gril sans surveillance lors du préchauffage ou de la combustion des résidus alimentaires en mode HIGH. Si le gril n'a pas été nettoyé, un feu de graisse peut se produire.

AVERTISSEMENT : lors de la cuisson, des dispositifs d'extinction doivent être accessibles facilement. En cas de feu d'huile/de graisse, utilisez des extincteurs à poudre chimique de type BC ou étouffez le feu avec de la poussière, du sable ou du bicarbonate de soude. N'essayez PAS d'éteindre le feu avec de l'eau..

RÉDUCTION DES FLAMBÉES

- Découpez l'excès de graisse des viandes avant la cuisson.
- Cuisez les viandes à forte teneur en graisse sur le réglage LOW ou indirectement.
- Assurez-vous que votre gril se trouve sur une surface dure, de niveau et non combustible et que la graisse peut s'écouler dans le pot de graisse.

ENTRETIEN ET MAINTENANCE

Votre unité Pit Boss® vous servira fidèlement pendant de longues années tout en minimisant les efforts de nettoyage. Suivez ces conseils de nettoyage et d'entretien pour réviser votre gril :

VÉRIFIEZ LE NIVEAU DE GAZ

Pour vérifier le niveau de gaz dans la bonbonne de Gaz Propane Liquide, le gril doit être en fonction. Placez votre main au-dessus de la bonbonne et descendez doucement sur le côté jusqu'à ce que le réservoir soit froid au toucher. Ceci vous indiquera la quantité approximative de gaz dans votre bonbonne, si elle est au $\frac{3}{4}$ vide, il vous faudra alors la remplacer.

IMPORTANT : Ne pas utiliser de briquettes de charbon ou toute autre matière inflammable avec votre gril. L'utilisation de ces matériaux annulera votre garantie et pourrait entraîner un risque d'incendie, une explosion ou des dommages corporels.

1. LES COMPOSANTES DU BRÛLEUR

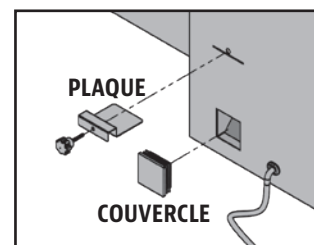
- Nettoyez le brûleur lorsque celui-ci présente une importante accumulation, afin de veiller à ce qu'il n'y ait aucun blocage (débris, insectes) dans le tube du brûleur ou bien dans les hublots du brûleur. Après une période d'entreposage prolongée, des araignées ou des petits insectes peuvent construire des nids, des toiles et pondre leurs œufs dans le tube du brûleur, nuisant ainsi à la circulation du gaz jusqu'au brûleur. Si vous entreposez votre gril ou si vous pensez ne pas l'utiliser pendant une longue période de temps, enlevez le brûleur et enveloppez-le de feuilles d'aluminium afin de réduire les risques d'insecte qui entrent dans les trous du brûleur.
- Le brûleur a été préconfiguré pour obtenir une performance de flamme optimale. Une flamme bleue, avec un tout petit bout jaune, est le résultat du mélange optimal entre l'air et le gaz. Si la flamme est très jaune, orange ou irrégulière, vous devez alors nettoyer les dépôts d'huile et de nourriture sur la surface du brûleur et les hublots afin d'augmenter le débit d'air.

2. ASSEMBLAGE DE LA TRÉMIE

- La trémie comprend une fonction de nettoyage lui permettant de se nettoyer facilement et de changer les arômes du combustible à granulés. Pour vider, placez la plaque et le couvercle de la boîte de dépôt sur la partie arrière de la trémie. Placez un seau propre et vide sous le couvercle de la boîte de dépôt, puis retirez le couvercle. Dévissez la plaque, glissez-la vers l'extérieur et les granulés se videront.

REMARQUE : Utilisez une brosse à manche long ou un aspirateur d'atelier pour retirer les excès de granulés, de sciure de bois et de débris pour un nettoyage complet à travers l'écran de la trémie.

- Faire sortir tous les granulés de votre système de tarière est recommandé si votre gril ne sera pas utilisé pendant une période prolongée. Cela peut être fait en faisant simplement fonctionner votre gril, sur une trémie vide, jusqu'à ce que tous les granulés se soient vidés du tube de la vis sans fin.
- Vérifiez et nettoyez les débris dans les bouches d'aération du ventilateur, situé au bas de la trémie. Une fois que le panneau d'accès de la trémie est retiré (voir **Diagramme de fils électriques** pour le schéma), essuyez soigneusement toute accumulation de graisse directement sur les pales du ventilateur. Cela garantit que le flux d'air est suffisant pour le système d'alimentation.



3. SONDÉS

- Tout noeud ou pli des fils de la sonde peuvent endommager la pièce. Les fils devraient être enroulés dans une grande bobine desserrée.
- Bien que les sondes soient en acier inoxydable, ne les mettez pas dans le lave-vaisselle, ou dans l'eau. Les dommages causés par l'eau aux fils internes entraîneront un court-circuit de la sonde, créant une lecture erronée. Si une sonde est endommagée, elle devrait être remplacée.

4. LES SURFACES INTERNES

- Il est recommandé de nettoyer votre pot de combustion après chaque utilisation. Cela assurera un allumage correct et évitera toute accumulation de débris ou de cendres dans le pot de combustion.
- Utilisez une brosse de nettoyage à gri à long manche (laiton ou métal doux), retirez tout aliment ou accumulation des grilles de cuisson. La meilleure pratique est de faire cela alors qu'ils sont encore chauds d'une précédente cuisson. Les feux de graisse sont causés par trop de débris tombés sur les composants de cuisson du gril. Nettoyez l'intérieur de votre gril de façon régulière. Dans le cas où vous êtes confronté à un feu de graisse, gardez le couvercle du gril fermé pour étouffer l'incendie. Si l'incendie ne s'éteint pas rapidement, retirez soigneusement les aliments, éteignez le gril et fermez le couvercle jusqu'à ce que le feu soit complètement éteint. Saupoudrez légèrement de bicarbonate de soude, si disponible.
- Vérifiez souvent votre seau à graisse et nettoyez-le si nécessaire. Gardez à l'esprit le type de cuisson que vous faites

IMPORTANT: En raison de chaleur élevée, ne couvrez pas la chaudière ni les sondes avec du papier d'aluminium.

5. LES SURFACES EXTERNES

- Essuyez votre gril après chaque utilisation. Utilisez de l'eau chaude savonneuse pour briser la graisse. Ne pas utiliser de nettoyant à four, nettoyant abrasif ou pad sur les surfaces externes du gril. **Toutes les surfaces peintes ne sont pas couvertes par la garantie**, mais font partie de la maintenance générale et de l'entretien. Pour les rayures de peinture, l'usure ou l'écaillage de la finition, toutes les surfaces peintes peuvent être retouchées à l'aide d'une peinture à barbecue à haute chaleur.
- Utilisez une couverture pour gril afin de protéger votre gril pour une protection complète! Une couverture est votre meilleure protection contre les intempéries et les polluants extérieurs. Lorsqu'il n'est pas utilisé ou pour un stockage à long terme, conservez l'unité sous une couverture dans un garage ou un hangar.

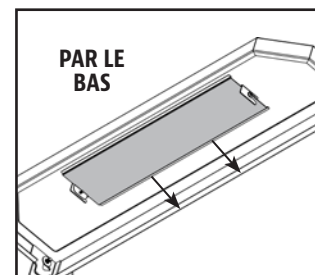


TABLEAU DE FRÉQUENCE DE NETTOYAGE (UTILISATION NORMALE)

ARTICLE	FRÉQUENCE DE NETTOYAGE	MÉTHODE DE NETTOYAGE
Le dessous du gril	Toutes les 2-3 sessions de cuisson	Retirer, aspirer les excès de débris
Le tube du brûleur, les hublots	Toutes les 5-6 sessions de cuisson	Poussière, éponge à gratter et eau savonneuse
Les brûleurs	Toutes les 5-6 sessions de cuisson	Éponge à gratter et eau savonneuse
Surfaces en acier inoxydable	Deux fois par an	Nettoyant pour acier inoxydable
Dessous du gril principal	Toutes les 5-6 sessions de cuisson	Retirer, aspirer les excès de débris
Pot de combustion	Toutes les 2-3 sessions de cuisson	Retirer, aspirer les excès de débris
Grilles de cuisson	Après chaque utilisation	Brûler le surplus, brosse en laiton
Chaudière	Toutes les 5-6 sessions de cuisson	Gratter la plaque principale avec un patin, ne pas laver
Tablettes	Après chaque utilisation	Éponge à gratter et eau savonneuse
Seau de graisse	Après chaque utilisation	Éponge à gratter et eau savonneuse
Système d'alimentation de la tarière	Lorsque le récipient de granulés est vide	Permettre à la tarière de faire sortir la sciure de bois, en laissant la trémie vide
Composants électriques de la trémie	Une fois par an	Dépoussiérez l'intérieur, essuyez les lames de ventilateur avec de l'eau savonneuse
Arrivée d'air	Toutes les 5-6 sessions de cuisson	Poussière, éponge à gratter et eau savonneuse
Sonde de température	Toutes les 2-3 sessions de cuisson	Éponge à gratter et eau savonneuse

UTILISATION DU CARBURANT DE GRANULÉS DE BOIS

Ces granulés de bois propres combustibles génèrent environ 8200 BTU par livre avec très peu de cendres, une faible teneur en humidité (5 à 7 %) tout en étant également neutres en carbone. Les granules de bois pour barbecue sont produits avec des matières premières pures (sciures) qui sont pulvérisées avec un broyeur à marteaux et forcées avec pression à travers une filière. Quand le granulé est forcé à travers la filière, il est cisailé, refroidi, trié, aspiré, puis emballé pour la consommation. Vérifiez auprès de votre distributeur local pour connaître la gamme d'essences disponibles dans votre région.

-  **MÉLANGE CARYER**
-  **MÉLANGE MESQUITE**
-  **MÉLANGE POMME**
-  **MÉLANGE CERISE**
-  **MÉLANGE DE LA COMPÉTITION**

REMARQUE : Conservez toujours vos granulés de bois dans un endroit sec. Les exposer à l'humidité poussera les granulés à absorber l'humidité et produira un rendement calorifique plus faible ou provoquera un gonflement et une dissolution des granulés. Utilisez un bac ou sceau résistant à l'humidité et pouvant être scellé à nouveau pour la conservation.

LIGNES DIRECTRICES POUR LA CUISINE

Les styles de cuisson de fumage et de grillage peuvent vous donner des résultats différents dépendant du temps et la température. Pour obtenir de meilleurs résultats, conservez un registre de tout ce que vous cuisinez, à quelle température vous le cuisinez, ainsi que les résultats. Ajustez toutes ces variables, selon vos goûts, la prochaine fois. Ce n'est qu'en s'exerçant qu'on s'améliore. L'art culinaire du fumage à chaud équivaut à des temps de cuisson plus longs, mais il produit également une saveur de bois plus naturelle (et une « **bande de fumage** ») dans vos viandes. Une température de cuisson plus élevée, ce qui veut dire moins de temps de cuisson, vous offrira moins de saveur fumée.

CONSEIL : Pour de meilleurs résultats, laissez reposer les viandes après la cuisson. Ceci permet aux jus naturels de revenir dans les fibres de la viande, produisant ainsi une coupe plus juteuse et plus savoureuse. Le temps de repos peut n'être que 3 minutes et peut même aller jusqu'à 60 minutes, selon la taille des protéines.

STYLE DE CUISSON	FUMAGE CHAUD (très faible)	RÔTI (faible)	CUISSON FOUR (moyen)	GRILLAGE/CUISSON FOUR (moyen/élevé)	SAISIR (élevé)
Gamme de températures	93-135 °C / 199-275 °F	135-162 °C / 275-323 °F	162-190 °C / 323-374 °F	190-232 °C / 374-449 °F	232-260 °C / 449-500 °F

VOLAILE	TAILLE	Saignant - 54 °C / 130 °F	À point - 60 °C / 140 °F	Bien cuit - 77 °C / 170 °F
Dinde (entière)	4,5-5,0 kg / 10-11 lb 5,3-6,4 kg / 12-14 lb 6,8-7,7 kg / 15-17 lb 8,2-10,0 kg / 18-22 lb 10,4-11,3 kg / 23-25 lb			Griller 90 - 120 minutes Griller 110 - 140 minutes Griller 130 - 160 minutes Griller 140 - 170 minutes Griller 150 - 180 minutes
Poulet (entier)	1,36-2,26 kg / 3-5 lb			Griller 1 - 1,5 heures
Pilons, poitrines	0,45 - 0,86 kg / 1 - 1,5 lb			Griller 30-60 minutes
Petits gibiers à plumes	0,45 - 0,86 kg / 1 - 1,5 lb			Griller 30-45 minutes
Canard	1,36-2,26 kg / 3-5 lb			Rôti ou sur le gril 2 - 2,5 heures

PORC	TAILLE	Précuit prêt à être réchauffé - 60 °C / 140 °F	À point 66 °C / 150 °F	Bien cuit 71 °C / 160 °F
Jambon (Partie entièrement cuite et désossée, Porc fumé entier et avec os)	2,5 cm / 1 po 1,36-1,81 kg / 3-4 lb 1,81-2,72 kg / 4-6 lb 2,26-3,62 kg / 5-8 lb 4,53-5,44 kg / 10-12 lb	12 minutes 50 minutes - 1 heure 1 - 2 heures 1 - 2½ heures 2 - 2¾ heures		
Longe de porc	1,36-1,81 kg / 3 - 4 lb		1 - 2 heures	2 - 3 heures
Rôti de couronne de côte	1,81-2,26 kg / 4 - 5 lb		1½ - 2 heures	2 - 3 heures
Côtelette (longe, côte)	1,9-2,5 cm / 0,75 - 1 po 3,1-3,9 cm / 1,25 - 1,5 po		10 - 12 minutes 14 - 18 minutes	
Filet	1,9-2,5 cm / 0,75 - 1 po		20 - 30 minutes	30 - 45 minutes
Rôti de longe de porc, sans os	1,36-2,26 kg / 3-5 lb		1¼ - 1¾ heures	1¾ - 2½ heures
Boston Butt (Épaule de porc)	3,62-4,53 kg / 8-10 lb			93 - 98 °C / 200 - 210 °F Température interne

BOEUF	TAILLE	CHALEUR	DURÉE APPROXIMATIVE DU TEMPS DE CUISSON		
			Saignant 54 °C / 130 °F	À point 60 °C / 140 °F	Bien cuit 65 °C / 150 °F
Steak (New York, Porterhouse, faux filet, surlonge, T-bone, ou filet)	1,9 cm / 0,75 po 2,5 cm / 1 po 3,8 cm / 1,5 po 5 cm / 2 po	Haut	Saisir pendant 8 à 10 minutes Saisir pendant 10 à 12 minutes Saisir pendant 10 minutes, griller pendant 8 à 10 minutes Saisir pendant 10 minutes, griller pendant 10 à 14 minutes		
Bifteck de hampe	0,6 - 12,7 cm / 0,25 - 0,5 po	Haut	Saisir 5-7 minutes		
Bavette	0,45 - 0,86 kg / 1 - 1,5 lb, 1,9 cm / 0,75 po	Moyen	Saisir pendant 4 minutes, griller pendant 8 à 10 minutes		
Kébab	2,5 - 3,8 cm / 1 - 1,5 po cubes	Moyen	Griller 10 - 12 minutes		
Filet	1,58 - 1,81 kg / 3,5 - 4 lb	Haut/Moyen	Saisir pendant 10 minutes, griller pendant 15 à 20 minutes		
Steak haché	1,9 cm / 0,75 po	Haut/Moyen	Saisir pendant 4 minutes, griller pendant 4 à 6 minutes		
Rôti de bœuf de faux-filet, sans os	2,26 - 2,72 kg / 5 - 6 lb	Moyen	Griller 1,5 - 2 heures		
Rôti trois pointes	0,9 - 1,13 kg / 2 - 2,5 lb	Haut/Moyen	Saisir pendant 10 minutes, griller pendant 20 à 30 minutes		
Rôti de côtes	5,44 - 6,35 kg / 12 - 14 lb	Moyen	2,5 - 2,75 heures		
Côtelettes de veau	2,5cm / 1 po	Moyen	10 - 12 minutes direct		
Poitrine	7,25 - 3,62 kg / 16 -18 lb	Fumage chaud	Cuire jusqu'à ce que la température interne atteigne 91 °C / 195 °F		
AGNEAU	TAILLE	Saignant - 54 °C / 130 °F	À point - 60 °C / 140 °F	Bien cuit - 71 °C / 160 °F	
Rôti (frais)	2,26 - 2,72 kg / 5 - 6 lb		1 - 2 heures		
Rôti de couronne de côte	1,36 - 2,26 kg / 3-5 lb		1 - 1,5 heures	1,5 heures	
FRUITS DE MER	TAILLE	Saignant - 54 °C / 130 °F	À point - 60 °C / 140 °F	Bien cuit - 82 °C / 180 °F	
Poisson (entier)	0,5 kg / 1 lb. 0,9 - 1,1 kg / 2 - 2,5 lb 1,4 kg / 3 lb			Griller 10 - 20 minutes Griller 20 - 30 minutes Griller 30 - 45 minutes	
Poisson (filets)	0,6-1,3 cm / 0,25 - 0,5 po			Griller 3 - 5 minutes jusqu'à ce que le poisson s'émiette	
Queue de homard	0,15 kg / 5 onces 0,3 kg / 10 onces			Griller 5 - 6 minutes Griller 10 - 12 minutes	
GIBIER SAUVAGE	TAILLE	Saignant - 60 °C / 140 °F	À point - 71 °C / 160 °F	Bien cuit - 77 °C / 170 °F	
Rôti (frais)	2,26 - 2,72 kg / 5-6 lb		1 - 1,5 heures	1,5 - 2 heures	
Grandes coupes (frais)	3,62 - 4,53 kg / 8-10 lb		1 heure	1,5 heures	

CONSEILS ET TECHNIQUES

Suivez ces conseils et techniques utiles, transmis par des propriétaires de Pit Boss®, notre personnel et clients comme vous, afin de vous familiariser avec votre gril:

1. SÉCURITÉ ALIMENTAIRE

- Garder propre tout ce qui se trouve dans la cuisine et dans la surface de cuisson. Utilisez un plat et des ustensiles différents pour la viande cuite et pour préparer ou transporter la viande crue sur le gril. Ceci permettra d'éviter toute contamination croisée des bactéries. Chaque marinade ou sauce pour badigeonner devrait avoir son propre ustensile.
- Gardez les aliments chauds au chaud (au-dessus de 60°C / 140°F) et gardez les aliments froids au froids (moins de 3°C / 37°F).
- Une marinade ne devrait jamais être conservée pour une utilisation ultérieure. Si vous comptez l'utiliser pour la servir avec votre viande, assurez-vous de la faire bouillir avant de servir.
- Les aliments cuits et les salades ne devraient pas être laissés dehors dans la chaleur pendant plus d'une heure. Ne laissez pas les aliments chauds à l'extérieur du réfrigérateur pendant plus de deux heures.
- Décongeler et mariner les viandes par réfrigération. Ne décongelez pas la viande à température ambiante ou sur le comptoir. Les bactéries peuvent grandir et se multiplient rapidement dans les aliments chauds et humides. Lavez-vous bien les mains avec de l'eau tiède savonneuse avant de commencer à préparer votre plat, et après avoir manipulé de la viande fraîche, du poisson et de la volaille.

2. PRÉPARATION DE CUISSON

- Soyez préparé ou **Mise en place**. Ceci fait référence à la préparation de la recette, le combustible, les accessoires, les ustensiles et tous les ingrédients dont vous aurez besoin à côté du gril avant de commencer la cuisson. Aussi, lisez la recette complète, du début à la fin, avant d'allumer le gril.
- Un tapis protecteur pour BBQ peut être très utile. En raison des accidents qui surviennent en raison de la manipulation des aliments et des différents styles de cuisson, ce tapis aidera à protéger les dalles de votre patio ou de votre terrasse contre tout risque de tache de graisse ou déversements accidentels

3. CONSEILS ET TECHNIQUES DE GRILLADE

- Pour infuser plus de saveur fumée et gardez vos viandes juteuses, cuisez-les plus longtemps à une température plus basse (également connu sous le nom de **faible et lent**). La viande fermera ses fibres après avoir atteint une température interne de 49°C (120°F). La pulvérisation en brouillard et l'épandage sont d'excellents moyens permettant d'éviter que la viande ne se dessèche.
- Lorsque vous saisissez vos viandes, cuisinez toujours avec le couvercle fermé. Utilisez toujours un thermomètre à viande pour évaluer la température interne des aliments que vous cuisinez. Fumer la nourriture avec des granulés de bois fait rosir la viande et la volaille. **La bande rose** (après la cuisson) est aussi appelée anneau de fumée et est très appréciée par les chefs de plein air.
- Il est fortement recommandé d'appliquer les sauces à base de sucre vers la fin de la cuisson pour éviter les brûlures et flambées.
- Laissez un espace de dégagement entre les aliments et les extrémités du baril pour une bonne circulation de la chaleur. Beaucoup d'aliments sur une grille de cuisson encombrée prendront plus de temps à cuire.
- Utilisez des pinces avec une longue poignée pour retourner toutes les viandes et des spatules pour retourner les burgers et le poisson. L'utilisation d'un ustensile perçant, comme une fourchette, permet de piquer la viande et de laisser s'évacuer les jus.
- Les aliments dans des casseroles profondes nécessitent plus de temps pour cuire que dans une poêle peu profonde.
- C'est une bonne idée de mettre les aliments grillés sur une grande assiette préchauffée pour garder vos aliments chauds. Les viandes rouges comme les steaks et rôtis seront meilleurs si vous les laissez reposer pendant quelques minutes avant de les servir. Ceci permet aux jus délicieux que la chaleur a fait remonter à la surface de retourner au centre et de lui donner plus de saveur.

DÉPANNAGE

Un bon nettoyage et un bon entretien, ainsi que le fait d'utiliser du combustible propre, sec et de qualité aidera à prévenir la plupart des problèmes de fonctionnement du gril. Toutefois, quand votre gril à granulés de bois Pit Boss® ne fonctionne pas bien ou moins fréquemment, les conseils de dépannage suivants peuvent être utiles. Pour les FAQ, rendez-vous sur www.pitboss-grills.com. Vous pouvez également contacter votre revendeur agréé local Pit Boss® ou contacter le Service à la clientèle pour obtenir de l'aide.

AVERTISSEMENT : Débranchez toujours le cordon électrique avant d'ouvrir la plaque d'inspection de votre gril pour effectuer toute inspection, nettoyage, maintenance ou entretien. Veillez à ce que le gril soit complètement froid pour éviter des blessures.

GRIL À GRANULÉS DE BOIS

PROBLÈME	CAUSE	SOLUTION
Aucun éclairage sur le panneau de contrôle	Non connecté à une source d'alimentation	Veillez à ce que l'appareil soit relié à une source d'alimentation en état de marche. Réinitialisez le disjoncteur. Veillez à ce que la prise DDFT fonctionne à un minimum de 10 A (consultez le Schéma du câblage électrique pour accéder aux composants électriques). Veillez à ce que tous les câblages soient fermement reliés et secs.
	Fusible grillé sur le panneau de contrôle	Retirez le panneau d'accès de la trémie (consultez le Schéma du câblage électrique), appuyez sur les languettes en plastique maintenant le panneau de contrôle en place et poussez le contrôleur à l'intérieur de la trémie pour le dégager. Vérifiez le fusible pour voir si un câble est cassé ou noirci. Si tel est le cas, le fusible doit être remplacé manuellement.
	La prise DDFT a disjoncté.	Retirez le panneau d'accès de la trémie (consultez le Schéma du câblage électrique) et veillez à ce que tous les raccordements de câbles soient fermement connectés et secs. Veillez à ce que la prise DDFT fonctionne à un minimum de 10 A.
	Panneau de contrôle défectueux	Le panneau de contrôle doit être remplacé. Contactez le service clients pour obtenir une pièce de rechange.
Le feu du pot de combustion ne s'allume pas	La vis sans fin n'est pas amorcée	Avant d'utiliser l'appareil pour la première fois ou dès que la trémie est entièrement vide, la vis sans fin doit être amorcée pour permettre aux granulés de remplir de tube. Si elle n'est pas amorcée, l'allumeur stoppera avant que les granulés n'atteignent le pot de combustion. Suivez la Procédure d'amorce de la trémie.
	Le moteur de la vis sans fin est bloqué	Retirez les composants de cuisson du corps principal de l'appareil. Appuyez sur le bouton d'alimentation pour allumer l'appareil, tournez la molette de contrôle de température sur la position SMOKE et inspectez le système d'acheminement de la vis sans fin. Confirmez visuellement que la vis sans fin achemine des granulés dans le pot de combustion. Si le processus ne fonctionne pas correctement, appelez le service clients pour obtenir de l'aide ou une pièce de rechange.
	Problème d'allumeur	Retirez les composants de cuisson du corps principal de l'appareil. Appuyez sur le bouton d'alimentation pour allumer l'appareil, tournez la molette de contrôle de température sur la position SMOKE et inspectez l'allumeur. Confirmez visuellement que l'allumeur fonctionne en plaçant votre main au-dessus du pot de combustion en quête de chaleur. Confirmez visuellement que l'allumeur dépasse d'environ 13 mm/0,5 po dans le pot de combustion. S'il ne fonctionne pas correctement, suivez la Procédure de démarrage manuel pour continuer à utiliser votre gril. Appelez le service clients pour obtenir de l'aide ou une pièce de rechange.
La lecture de la température réelle ne s'ajuste pas	Sonde de grillage sale	Suivez les instructions d'entretien et de maintenance.
	La sonde du gril est cassée	La sonde du gril doit être remplacée. Contactez le service clientèle.

Le gril ne parvient pas à une température stable ou n'arrive pas à la maintenir	Écoulement d'air insuffisant dans le pot de combustion	Vérifiez qu'il n'y a pas d'accumulation de cendres ou d'obstruction dans le pot de combustion. Suivez les instructions d'Entretien et maintenance en cas d'accumulation de cendres. Vérifiez le ventilateur. Assurez-vous qu'il fonctionne correctement et que le conduit d'entrée d'air n'est pas bouché. Suivez les instructions d'Entretien et maintenance si celui-ci est sale. Vérifiez le bon fonctionnement du moteur de la vis sans fin et assurez-vous que le tube de la vis sans fin n'est pas bloqué. Une fois toutes les étapes précédentes effectuées, démarrez le gril, configurez la température sur SMOKE et attendez 10 minutes. Vérifiez que la flamme produite est vive.
	Manque de combustible, combustible de mauvaise qualité ou obstruction du système d'acheminement	Vérifiez que le niveau de combustible dans la trémie est suffisant, remplissez si besoin. Si la qualité des granulés de bois est mauvaise ou que leur taille est trop grande, le système d'acheminement peut s'obstruer. Retirez les granulés et suivez les instructions d'Entretien et maintenance.
	Sonde de température	Vérifiez le statut de la sonde de température. Suivez les instructions d'Entretien et maintenance si celui-ci est sale. Contactez le service clients pour obtenir une pièce de rechange en cas de dommage.
Le gril produit trop de fumée ou une fumée décolorée	Accumulation de graisse	Suivez les instructions d'Entretien et maintenance.
	Qualité des granulés de bois	Retirez les granulés de bois humides de la trémie. Suivez les instructions d'Entretien et maintenance pour procéder au nettoyage. Remplacez-les par des granulés de bois secs.
	Le pot de combustion est bloqué	<i>Retirez les granulés de bois humides du pot de combustion. Suivez la Procédure d'amorce de la trémie.</i>
	Arrivée d'air insuffisante pour le ventilateur	<i>Vérifiez le ventilateur. Assurez-vous qu'il fonctionne correctement et que le conduit d'entrée d'air n'est pas bouché. Suivez les instructions d'Entretien et maintenance si celui-ci est sale.</i>
Flambées fréquentes	Température de cuisson	Essayez de cuire à plus faible température. La graisse possède un point d'inflammabilité. Maintenez une température inférieure à 176 °C/350 °F lorsque vous cuisez des aliments très gras.
	Accumulation de graisse sur les composants de cuisson	Suivez les instructions d'Entretien et maintenance.
Code d'erreur « ErP »	L'appareil n'a pas été éteint correctement lors de sa dernière connexion à l'alimentation.	Une fonctionnalité de sécurité empêche un redémarrage automatique. Appuyez sur le bouton d'alimentation pour éteindre l'appareil, attendez deux minutes, puis appuyez de nouveau sur le bouton d'alimentation pour allumer l'appareil. Tournez la molette de contrôle sur SMOKE ou la température de votre choix. Si le code d'erreur s'affiche toujours, contactez le service clients.
	Coupure de courant alors que l'appareil est allumé.	
Code d'erreur « ErH »	L'appareil a surchauffé, probablement à cause d'un feu de graisse ou d'un excès de combustible.	Appuyez sur le bouton d'alimentation pour éteindre l'appareil et laissez-le refroidir. Suivez les instructions d'Entretien et maintenance. Après entretien, retirez les granulés et vérifiez le bon positionnement de tous les composants. Une fois l'appareil refroidi, appuyez sur le bouton d'alimentation pour l'allumer et sélectionnez la température souhaitée. Si le code d'erreur s'affiche toujours, contactez le service clients.
Code d'erreur « ErL »	Le gril ne parvient pas à effectuer le cycle de démarrage	Vérifiez le bon positionnement des éléments de cuisson. Vérifiez que la trémie contient assez de combustible ou que le système d'alimentation n'est pas obstrué. Retirez les granulés et suivez les instructions d'Entretien et maintenance. Vérifiez la sonde du gril. Confirmez si la température réelle est correcte et précise. Suivez les instructions d'Entretien et maintenance si celui-ci est sale. Vérifiez le positionnement de l'allumeur et s'il chauffe correctement. En cas de froid extrême, le gril peut nécessiter un second démarrage. Éteignez le gril, attendez, puis rallumez-le. Vérifiez le ventilateur. Assurez-vous qu'il fonctionne correctement. Suivez les instructions d'Entretien et maintenance si celui-ci est sale.
	Le gril ne restera pas allumé	
Code d'erreur « Err » avec l'icône GRANULÉ visible	Manque de combustible, combustible de mauvaise qualité, obstruction du système d'acheminement ou vis sans fin bloquée	Vérifiez que le niveau de combustible dans la trémie est suffisant, remplissez si besoin. Si la qualité des granulés de bois est mauvaise ou que leur taille est trop grande, le système d'acheminement peut s'obstruer. Retirez les granulés et suivez les instructions d'Entretien et maintenance.
Code d'erreur « Err » avec l'icône d'ALLUMEUR clignotante	L'allumeur ne fonctionne pas correctement, n'établit pas de connexion	Retirez les composants de cuisson du corps principal de l'appareil. Appuyez sur le bouton d'alimentation pour allumer l'appareil et inspectez l'allumeur. Vérifiez visuellement que l'allumeur fonctionne en plaçant votre main au-dessus de la grille de combustion et en sentant la chaleur. Vérifiez visuellement que l'allumeur est aligné avec le trou de la grille de combustion et ouvrez-le pour allumer les granulés. S'il ne fonctionne pas correctement, appelez le service clientèle pour obtenir de l'aide ou une pièce de rechange.
	Problème d'allumeur	

Code d'erreur « Err » avec l'icône de VIS SANS FIN clignotante	La vis sans fin n'est pas amorcée	Avant la première utilisation de l'unité ou à chaque fois que la trémie est complètement vidée, la vis sans fin doit être amorcée pour permettre aux granulés de remplir le pot de combustion. S'il n'est pas amorcé, l'allumeur expirera avant que les pellets ne s'enflamment. Suivez la procédure d'amorçage de la trémie.
	Le moteur de la vis sans fin est bloqué, n'établissant pas de connexion	Retirez les composants de cuisson du baril principal. Appuyez sur le bouton d'alimentation pour allumer l'unité et inspecter le système d'alimentation de la vis sans fin. Vérifiez visuellement que la vis sans fin laisse tomber des granulés dans le pot de combustion. S'il ne fonctionne pas correctement, appelez le service clientèle pour obtenir de l'aide ou une pièce de rechange.
Code d'erreur « Err » avec l'icône de VENTILATEUR clignotante	Le ventilateur ne fonctionne pas correctement, n'établissant pas de connexion	Vérifiez le ventilateur. Assurez-vous qu'il fonctionne correctement et que le conduit d'entrée d'air n'est pas bouché. Retirez le panneau d'accès à la trémie (voir le schéma des fils électriques pour le schéma) et vérifiez que les fils du ventilateur ne sont pas endommagés. Suivez les instructions d'Entretien et maintenance si celui-ci est sale.

GRIL AU GAZ PROPANE

PROBLÈME	CAUSE	SOLUTION
Le grill ne s'allume pas	Le fil d'allumage s'est détaché de l'allumeur électrique / de la valve.	Reconnectez le fil d'allumage Pas de gaz fourni l'allumeur électrique / de la valve.
	Le fil d'allumage est cassé	Contactez le service à la clientèle pour obtenir une assistance ou des pièces de rechange.
	La batterie est morte	Installez une nouvelle batterie.
	La nouvelle batterie ne fonctionne pas	Vérifiez la polarité de la batterie. Le pôle négatif (-) de la batterie entre en premier.
	La pointe de l'électrode ne produit pas d'étincelles au niveau du port du brûleur	Ajustez l'électrode.
	Aucun gaz fourni	Contrôlez le détendeur. Contrôlez la connexion pour une éventuelle fuite.
Flambées excessives	Griller les viandes grasses	Faites griller les viandes grasses lorsque les grilles sont froides et que les boutons sont réglés sur « BAS » (LOW). Déplacez les viandes sur la grille de réchauffement si la flambée continue.
	Température de cuisson	Essayez de cuisiner à une température plus basse. La graisse possède un point d'ignition. Gardez la température en-dessous de 176° C / 350° F lorsque vous cuisinez des aliments très gras.
	De l'eau vaporisée sur les flammes de gaz	Ne vaporisez pas d'eau sur les flammes de gaz.
Le brûleur s'éteint	La bonbonne de gaz est vide	Remplir la bonbonne de gaz.
	Le brûleur n'est pas aligné avec la vanne de régulation	Installez correctement le brûleur.
	L'approvisionnement en gaz n'est pas suffisant	Vérifiez le tuyau d'alimentation en gaz et assurez-vous qu'il n'y a pas de fuites ni de nœuds.
Chaleur basse sur la position « HAUT » (HIGH)	Ports bloqués	Dégagez les ports de toute obstruction.
	La bonbonne de gaz est à court	Remplir la bonbonne de gaz.

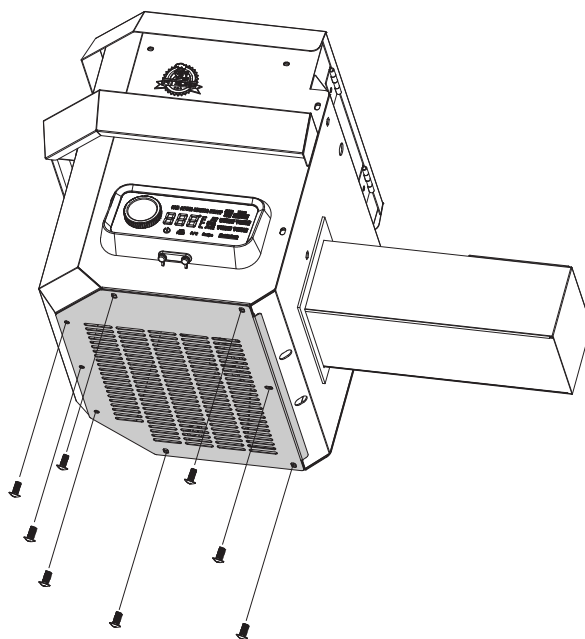
SCHÉMA DU CÂBLAGE ÉLECTRIQUE

Le système du panneau de contrôle utilise une technologie complexe de grande valeur. Pour vous protéger contre les surtensions et les courts-circuits électriques, consultez le schéma du câblage ci-dessous afin de veiller à ce que votre source d'alimentation soit suffisante pour faire fonctionner l'appareil.

PB – EXIGENCES ÉLECTRIQUES 110-120V, 60HZ, 250W, FICHE À 3 BROCHES MISE À LA TERRE

REMARQUE : les composants électriques, ayant été soumis à des tests de sécurité produit et des services de certification, sont conformes à une tolérance de test de ± 5 à 10 %.

TROUVEZ ET RETIREZ
LES HUIT VIS DU PAN-
NEAU D'ACCÈS SUR LE
CÔTÉ DE LA TRÉMIE.



**TAUX D'EN-
TRÉE DU COM-
BUSTIBLE:**
2,0 KG/H
(4.4 LB/H)

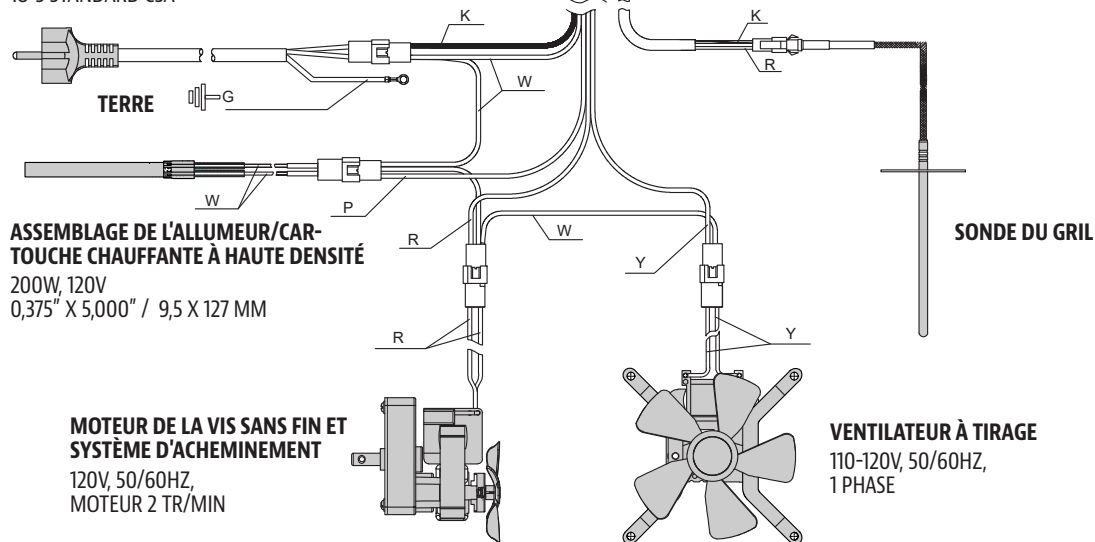
INDICATEUR

K : NOIR
W : BLANC
R : ROUGE
Y : JAUNE
P : VIOLET
O : ORANGE
G : VERT

PANNEAU DE CONTRÔLE

CORDON D'ALIMENTATION MIS À LA TERRE

VW-1, 105°C/221°F,
18-3 STANDARD CSA



ASSEMBLAGE DE L'ALLUMEUR/CAR- TOUCHE CHAUFFANTE À HAUTE DENSITÉ

200W, 120V
0,375" X 5,000" / 9,5 X 127 MM

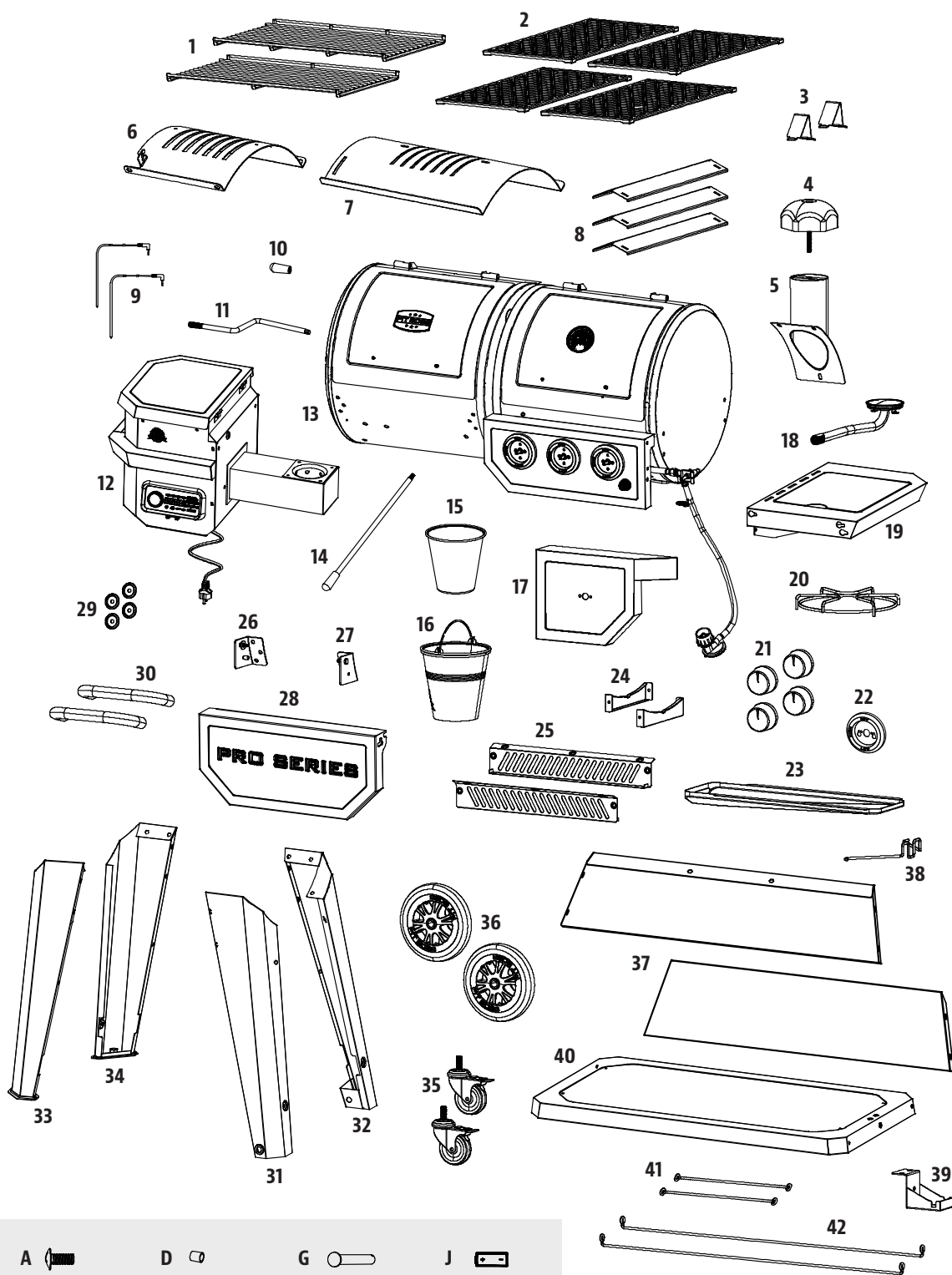
MOTEUR DE LA VIS SANS FIN ET SYSTÈME D'ACHEMINEMENT

120V, 50/60HZ,
MOTEUR 2 TR/MIN

VENTILATEUR À TIRAGE

110-120V, 50/60HZ,
1 PHASE

PIÈCES DE RECHANGE DU GRIL



A		D		G		J	
B		E		H			
C		F		I			

FRANÇAIS



PIÈCES DE RECHANGE DU GRIL

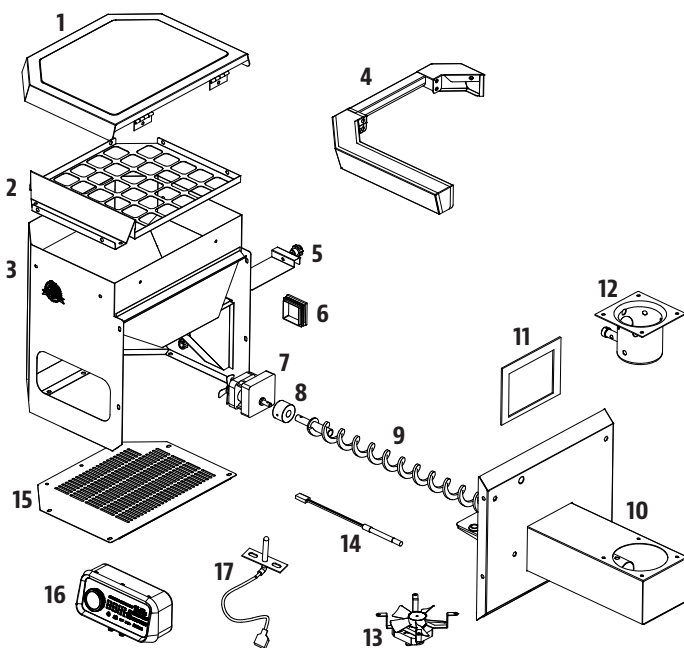
N°	Description
1	Support de cuisson supérieur en acier émaillé (x2)
2	Grilles de cuisson en fonte à revêtement de porcelaine (x4)
3	Butoir pour couvercle (x2)
4	Chapeau de cheminée (x1)
5	Sortie de cheminée (x1)
6	Plaque coulissante du diffuseur de chaleur (x1)
7	Plaque principale du diffuseur de chaleur (x1)
8	Tentes à chaleur (x3)
9	Sonde de cuisson (x2)
10	Poignée de la barre de réglage du grilloir à flamme (x1)
11	Barre de réglage du grilloir à flamme (x1)
12	Assemblage de la trémie (x1)
13	Assemblage gril principal (x1)
14	Barre de contrôle de la fumée (x1)
15	Récipient intérieur du seau à graisse (x1)
16	Seau à graisse (x1)
17	Panneau de brûleur latéral (x1)
18	Brûleur latéral (x1)
19	Tablette du brûleur latéral (x1)
20	Grille de brûleur latéral (x1)
21	Bouton du brûleur (x4)
22	Lunette de bouton de brûleur (x1)
23	Plateau à graisse (x1)
24	Support du plateau à graisse A (x2)
25	Support du plateau à graisse B (x2)
26	Support pour étagère avant/gauche (x1)
27	Support pour étagère avant /droit (x1)
28	Étagère avant (x1)
29	Bague de la poignée pour couvercle (x4)
30	Poignée pour couvercle (x2)
31	Pied de support/avant (x1)
32	Pied de support/arrière (x1)
33	Pied de support pour roulettes/avant (x1)
34	Pied de support pour roulettes/arrière (x1)
35	Roulettes pivotantes à frein (x2)
36	Roue (x2)

N°	Description
37	Panneau avant/arrière du chariot (x2)
38	Dispositif de retenue de câble pour bouteille à gaz de pétrole liquéfié (x1)
39	Support de fixation pour bouteille à gaz de pétrole liquéfié (x1)
40	Étagère inférieure du chariot (x1)
41	Barre de chariot A (x2)
42	Barre de chariot B (x2)
A	Vis (x58)
B	Rondelle (x51)
C	Rondelle de blocage (x49)
D	Bague (x2)
E	Goupille bêta pour roue (x2)
F	Rondelle pour roue (x2)
G	Goupille cannelée pour roue (x2)
H	Vis (x2)
I	Écrous (x5)
J	Batterie AA (x1)

REMARQUE: En raison du développement en cours du produit, les pièces peuvent être modifiées sans préavis.

PIÈCES DE RECHANGE DE TRÉMIE

N°	Description
1-PSH	Couvercle de la trémie (x1)
2-PSH	Écran de sécurité de la trémie (x1)
3-PSH	Boîtier de la trémie (x1)
4-PSH	Poignée de la trémie (x1)
5-PSH	Plaque de la boîte de dépôt (x1)
6-PSH	Couvercle de la boîte de dépôt (x1)
7-PSH	Moteur de la vis sans fin (x1)
8-PSH	Bague en nylon (x1)
9-PSH	Assemblage de la vis sans fin (x1)
10-PSH	Boîtier de la vis sans fin (x1)
11-PSH	Joint du boîtier de la trémie (x1)
12-PSH	Pot de combustion (x1)
13-PSH	Ventilateur de combustion (x1)
14-PSH	Allumeur (x1)
15-PSH	Panneau d'accès de la trémie (x1)
16-PSH	Panneau de contrôle (x1)
17-PSH	Sonde du grill (x1)



GARANTIE

CONDITIONS

Tous les grils de granulés de bois de Pit Boss®, fabriqués par Dansons, contiennent une garantie limitée à partir de la date de vente par le propriétaire initial. La garantie entre en vigueur la date d'achat, et une preuve de la date d'achat ou copie de votre achat de vente original est requise pour valider la garantie. Si le client n'est pas en mesure de produire une preuve de l'achat ou si la date de couverture de la garantie est dépassée, il sera tenu de payer les pièces, l'expédition et la main-d'œuvre.

Dansons offre une garantie de cinq (5) ans contre les défauts et fabrication sur toutes les pièces, et cinq (5) ans sur les composants électriques. Dansons garantit que toute partie(s) sont exempte de défauts de matériel et de fabrication, pour la durée d'utilisation et de propriété de l'acheteur initial. La garantie ne couvre pas les dommages causés par l'usure, tels que les rayures, les bosses, les coups, les éclats ou les fissures cosmétiques mineures. Ces changements esthétiques du grill n'affectent pas sa performance. La réparation ou le remplacement d'une pièce ne prolonge pas la garantie limitée au-delà de cinq (5) ans à partir de la date d'achat.

Pendant la période de la garantie limitée, l'obligation de Dansons sera limitée à fournir le remplacement des composants couverts et/ou défectueux. Tant que cela se produit pendant la période de la garantie, Dansons ne vous facturera pas sur la réparation ou le remplacement des pièces retournées, le port-payé, si Dansons détermine que ces pièces se révèlent défectueuses après inspection. Dansons ne sera pas tenu responsable des frais de transport, du coût salarial ou des droits d'exportation. Sauf disposition contraire dans ces conditions de garantie, la réparation ou le remplacement des pièces de la façon et pour la durée fixée ci-dessous, remplira le devoir de toutes les responsabilités et obligations directes et dérivées de Dansons envers vous.

Dansons prend toutes les précautions pour utiliser les matériaux qui retardent la formation de la rouille. Même avec ces garanties, le revêtement protecteur peut être compromis par diverses substances et conditions qui échappent au contrôle de Dansons. Les hautes températures, l'humidité excessive, le chlore, les gaz industriels, les engrais, les pesticides utilisés pour les pelouses et le sel sont quelques-unes des substances pouvant affecter les revêtements métalliques. C'est pour ces raisons que les garanties limitées ne couvrent pas la rouille ni l'oxydation, à moins que le composant du gril présente une perte d'intégrité structurelle. Si les scénarios décrits ci-dessus devaient se produire, veuillez vous référer à la section de soin et de maintenance pour prolonger la durée de vie de votre appareil. Dansons recommande l'utilisation d'une couverture de gril lorsqu'il n'est pas utilisé.

Les garanties s'appliquent à un usage domestique et utilisation normale du gril et aucune des garanties limitées ne s'applique à un gril utilisé pour des applications commerciales.

EXCEPTIONS

Il n'existe pas de garantie de performance écrite ou implicite sur les appareils Pit Boss®, car le fabricant ne contrôle pas l'installation, le fonctionnement, le nettoyage, l'entretien ou le type de combustible brûlé. La garantie limitée ne s'appliquera pas, et Dansons n'assumera aucune responsabilité, si votre appareil n'a pas été installé, opéré, nettoyé et entretenu conformément aux instructions du fabricant. Toute utilisation de gaz non précisée dans ce manuel peut annuler la garantie. La garantie ne couvre pas les dommages ou ruptures causées par une mauvaise utilisation, mauvaise manutention ou des modifications.

Dansons et les fournisseurs autorisés Pit Boss®, déclinent toute responsabilité, légale ou autre, quant aux dommages accidentels ou consécutifs à la propriété ou aux personnes résultant de l'utilisation de ce produit. Si une réclamation est retournée contre Dansons basée sur la violation de cette garantie ou de tout autre type de garantie explicite ou implicite en droit, le fabricant ne sera en aucun cas tenu responsable des dommages-intérêts spéciaux, punitifs ou indirects de quelque nature que ce soit en surplus du prix d'achat original de ce produit. Toutes les garanties du fabricant sont énoncées ici et aucune réclamation ne sera effectuée contre le fabricant par le biais d'une garantie ou de représentation.

Certaines provinces n'autorisent pas l'exclusion ou la limitation des dommages accidentels ou consécutifs, ou les limitations des garanties implicites, de sorte qu'il est possible que les exclusions et limitations énoncées dans cette garantie limitée ne s'appliquent pas à vous. Cette garantie limitée vous donne des droits légaux spécifiques, et vous pourriez aussi avoir d'autres droits légaux qui pourront varier selon l'état ou la province.

COMMANDE DE PIÈCES DE REMPLACEMENT

Pour commander des pièces de rechange, contactez votre revendeur local Pit Boss® ou visitez notre boutique en ligne à l'adresse suivante: www.pitboss-grills.com

APPELEZ LE SERVICE À LA CLIENTÈLE

Si vous avez des questions ou des problèmes, veuillez communiquer avec le Service à la clientèle, du lundi au dimanche, de 4 h à 20 h HP (anglais / français / espagnol).

service@pitboss-grills.com | Ligne sans frais: 1-877-303-3134 | Fax sans frais : 1-877-303-3135

SERVICE DE GARANTIE

Appelez votre fournisseur de Pit Boss® le plus proche pour une réparation ou un remplacement de vos pièces. Dansons exige une preuve d'achat pour établir une réclamation sous garantie; Conservez donc votre reçu ou facture originale pour référence future. Le numéro de série et de modèle de votre Pit Boss® se trouve sur la trémie. Enregistrez les numéros ci-dessous, car l'étiquette peut s'user ou devenir illisible.

MODÈLE

NUMÉRO DE SÉRIE

DATE D'ACHAT

CONCESSIONNAIRE AUTORISÉ

RECETTES

UNE POITRINE CLASSIQUE

4 à 6 portions

Une poitrine entière de bœuf pèse environ 7,25 à 3,62 kg / 16 à 18 livres et possède trois parties distinctes : la couronne, le bout et la section plate. Utilisez la section plate car elle est maigre, compacte et produit de très belles tranches lorsque vous la tranchez.

Ingrédients :

1	poitrine de bœuf 2,2-3,6 kg / 5-8 lbs, 0,6 cm / ¼ po d'épaisseur de graisse
1 bouteille	moutarde jaune préparée
75 ml / 5 c. à s	assaisonnement
1 bouteille	sauce au piment fort
1 paquet	mélange sec de soupe aux oignons
375 ml / 1 ½ c.	bouillon de bœuf
40 ml / 8 cc	poivre noir

Saveur de granulés de bois suggérée : Caryer / Compétition

Instructions :

- Déposez une grande pellicule de plastique sur votre station de cuisine. Assez grande pour enrober une poitrine de bœuf. À l'aide d'un couteau aiguisé, faites une marque sur le dessous de la poitrine, une seule fois à contre sens. Ceci vous aidera à couper la poitrine une fois qu'elle est cuite, la coupe à contre sens vous offrira également un morceau de viande tendre qui fond dans la bouche. Le dessous est le côté non-gras, avec la couronne. Enduire avec une généreuse portion de moutarde préparée. Frottez légèrement sur toute la surface. Saupoudrer une bonne quantité d'assaisonnement sur la moutarde, puis frottez délicatement sur toute la surface. Retournez la poitrine de bœuf et répétez le processus. Enroulez la poitrine dans la feuille de plastique et conservez au frigo pendant la nuit ou pour environ 2 à 4 heures.
- Préparez le mélange de badigeonnage. Mélangez la sauce au chili, le mélange de soupe à l'oignon sec, le bouillon de bœuf et le poivre noir. Laisser reposer.
- Préchauffez le gril, puis réduire le réglage à faible température.**
- Placez la poitrine, côté gras vers le haut, au centre du gril préchauffé. Fermez le couvercle du gril. Faites cuire lentement jusqu'à ce que la viande soit tendre, environ 10-12 heures.
- Badigeonner la poitrine avec le mélange préparé toutes les demi-heures pendant les 3 premières heures.
- Continuez le processus de cuisson lente jusqu'à ce que la température atteigne 60-66°C / 140-150°F. Enlevez la poitrine du gril. **Faites monter la température du gril à 176°C / 350°F.**
- Placez la poitrine dans une poche en aluminium double couche. Versez 50 ml / ¼ de tasse de mélange de badigeonnage sur la poitrine dans la poche. Fermez la poche.
- Déposez la poche délicatement sur le gril. Faites fumer pendant 1 à 1 1/2 heures.

- Ouvrez la poche et utilisez un thermomètre à viande; La température interne doit atteindre 91°C / 195°F. La poitrine devrait être ferme, mais vous devriez quand même être en mesure de déchirer la viande à l'aide de vos doigts.
- Transférez la viande à un plateau et laissez-la reposer pendant 10 minutes. Coupez des tranches minces à contre sens pour servir.

SAUCISSE AVEC SAUCE CHUTNEY À LA MANGUE

4 à 6 portions

Ingrédients :

2	mangues (tranchées finement)
0.9 kg / 2 lbs	saucisse italienne (piquante ou douce)
10 ml / 2 cc	persil frais (haché)
15 ml / 1 c. à s.	poivron rouge (coupé en dés)
10 ml / 2 cc	miel
½	oignon rouge (coupé en dés)
½ bulbe	fenouil (coupé en dés)
5 ml / 1 cc	jus de lime
Pincée	sel

Saveur de granulés de bois suggérée : Caryer / Compétition

Instructions :

- Préchauffez le gril, puis réduire le réglage à FAIBLE-MOYEN (82-107°C / 180- 225°F).**
- Placez les saucisses sur le gril, espacées uniformément. Tournez toutes les dix minutes afin que tous les côtés soient grillés.
- Combinez tous les ingrédients restants pour fabriquer les chutney. Réfrigérez jusqu'à ce que vous soyez prêt à servir.
- Coupez la saucisse grillée en diagonale, puis servir avec le chutney sur le côté.

STEAK DE FROMAGE BLEU

4 portions

Ingrédients :

4	steak, T-bone ou faux-filet 2,54 cm / 1" d'épaisseur 0,28-0,62 kg / 10-12 onces chaque
113 g / 4 oz.	fromage bleu (émietté)
50 ml / ¼ c.	oignon vert (en fines tranches)

Saveur de granulés de bois suggérée : Caryer / Compétition / Whiskey

Instructions :

- Préchauffer le gril, puis laisser ou réduire légèrement (204-260°C / 400-500°F).**
- Enlevez l'excédent de gras de la viande et jetez.

- Placez les steaks sur le grill. Saisissez chaque côté, en retournant toutes les minutes.
- Réduisez la température à 135°C/275°F ou 163°C/ 325°F.** Retournez les steaks une dernière fois. Mélangez le fromage bleu et les oignons. Saupoudrez les steaks, fermez le couvercle du grill et faites griller jusqu'à ce qu'ils atteignent la cuisson désirée. Vérifiez la cuisson en coupant une tranche de viande près de l'os.

Variation : FAIRE SAISIR AVEC LA MÉTHODE INVERSÉE

Allumez le grill à faible température, puis placez les steaks sur le grill. Faites fumer à 82°C / 180°F, pendant 5 à 15 minutes. Une fois fumé à la cuisson désirée, tournez le grill sur HIGH et saisissez à votre goût.

CÔTES LEVÉES BBQ

4 à 6 portions

Ingrédients :

1.3-1.8 kg / 3-4 lbs	côtelettes Côtes levées de porc juteuses / longue
45 ml / 3 c. à s.	huile
5 ml / 1 cc	sel
5 ml / 1 cc	poivre
2 entiers	oignons (hachés)
30 ml / 2 c. à s.	vinaigre
30 ml / 2 c. à s.	sauce Worcestershire
125 ml / ½ c.	jus de pomme ou Soda
5 ml / 1 cc	paprika
5 ml / 1 cc	poudre de piment chili

Saveur de granulés de bois suggérée : Caryer / Compétition / Pomme

Instructions :

- Préchauffez le grill, puis réduire le réglage à faible température (82-107°C / 180-225°F).**
- Préparez les côtes levées en enlevant la couche épaisse de peau à l'arrière. Saupoudrez les côtes avec du sel et du poivre, pour goûter.
- Placez les côtes sur le grill, espacées uniformément. Faites fumer pendant 3 à 4 heures.
- Mélangez le reste des ingrédients dans une casserole et porter à ébullition. Laisser bouillir la sauce pendant cinq minutes pour épaissir.
- Enlevez du grill. **Faites monter la température du grill à 176°C / 350°F.**
- Placez chaque côte dans une poche en aluminium double couche. Versez 50 ml / ¼ de tasse de sauce sur les côtes dans la poche. Fermez la poche.
- Déposez la poche délicatement sur le grill. Faites fumer pendant 1 à 1½ heures.
- Ouvrez la poche. La viande aura exposé les extrémités des côtes et sera très tendre. Faites monter la température du grill à ÉLEVÉ (260°C / 500°F). Remettez les côtes sur le grill et badigeonnez avec de la sauce sur les deux côtés.
- Lorsque la sauce est caramélisée et collantes, retirez du grill et servez.

Variation: MÉTHODE « MEMPHIS DRY »

Faites monter la température du grill à ÉLEVÉ (260°C / 500°F). Remettez les côtes sur le grill et assaisonnez ou frottez avec un assaisonnement sec. Saisissez les côtes, retirez du grill et servez.

LES HAMBURGERS JUTEUX DE MAMAN

4 à 6 portions

Ingrédients :

900 g / 2 lbs	bœuf haché ou de buffle
15 ml / 3 cc	assaisonnement
2 entiers	œufs, à la température de la pièce
500 ml / 2 c.	chapelure (séché, fin)
6 - 8	hamburger / petits pains
6 - 8 slices	tranches de fromage (tranches fines)
30 ml / 2 cc	beurre

Saveur de granulés de bois suggérée : Caryer / Compétition

Instructions :

- Préchauffer le grill, puis laisser ou réduire légèrement (204-260°C / 400-500°F)**
- Mélangez la viande, l'assaisonnement, les œufs et la chapelure dans un bol. Divisez la viande en plusieurs portions et formez-les en petites boulettes de taille et de forme similaires au pain que vous servirez. Gardez les boulettes à environ 1,9 cm / ¾ po d'épaisseur.
- Déposez les boulettes sur le grill. Faites griller environ 6 minutes chaque côté, en évitant d'appuyer sur la viande. Faites un test pour vérifier la cuisson, à l'aide d'un thermomètre à viande instantané : la température interne devrait atteindre 71°C / 160°F. La viande peut devenir rose à l'extérieur en raison de la saveur fumée.
- Au cours des dernières minutes de cuisson, badigeonnez les petits pains avec du beurre et grillez légèrement sur le grill.
- Retirez les pains, burgers lorsqu'ils sont prêts. Ajoutez aux hamburgers du fromage à fondre, et servez.

CONSEIL: Une viande légèrement plus grasse rendra le hamburger plus juteux. Pour un choix plus léger, essayez le buffle haché.

STEAK DE SURLONGE AVEC DES OIGNONS DOUX ET DES POIVRONS

4 portions

Ingrédients :

2	steak de surlonge épaisseur d'un pouce, coupé en 4 morceaux 0.45kg/1 lb
10 ml / 2 cc	assaisonnement
5 moyens	oignons doux (coupés grossièrement)
2 entiers	poivrons (toutes sortes, hachée)
60 ml / 4 c. à s	sauce soja
60 ml / 4 c. à s	huile d'olive
Pincée	sel

Saveur de granulés de bois suggérée : Caryer / Mesquite / Whiskey

Instructions :

1. **Préchauffez le gril, puis réduire le réglage à 218°C / 425°F.**
2. Saupoudrez les deux côtés des steaks avec l'assaisonnement. Recouvrez et réfrigérez pendant au moins 1 heure.
3. Placez les oignons et les poivrons dans un plateau recouvert de papier d'aluminium. Mélangez l'huile d'olive et la sauce soja ensemble, puis versez sur le plateau. Saupoudrez de sel. Fermez complètement le paquet d'aluminium.
4. Placez le paquet sur le gril pendant environ 10 - 15 minutes ou bien jusqu'à ce que les légumes soient doux et tendres. Enlevez du gril, mais gardez sous l'emballage.
5. Placez les steaks sur le gril. Saisissez chaque côté, en retournant toutes les minutes.
6. Grillez jusqu'à la cuisson désirée, puis enlevez du gril. Placez sur les plats de service et garnissez-les avec les légumes chauds.

POULES DE CORNOUILLES AVEC DU RIZ MANDARIN

4 portions

Ingrédients :

4 entiers poules de Cornouailles
750 ml / 3 c. riz Mandarin
15 ml / 1 c. à s huile d'olive
5 ml / 1 tsp paprika fumé
250 ml / 1 c. marmelade d'orange

Riz Mandarin

59 ml / ¼ c. amandes (effilées)
30 ml / 2 c. à s céleri (haché)
1 petit oignon vert (tranché finement)
30 ml / 2 c. à s beurre
1 conserve segments d'orange mandarine (égouttée)
0,4 kg / 11oz.
30 ml / 2 c. à s jus d'orange (concentré)
500 ml / 2 c. riz cuit

Saveur de granulés de bois suggérée : Caryer / Mesquite / Compétition

Instructions :

1. Préparez le riz mandarin en faisant sauter les amandes, le céleri et les oignons avec du beurre dans une petite poêle jusqu'à ce que les amandes soient légèrement grillées. Combinez le mélange avec les segments d'orange, jus d'orange et le riz cuit dans un bol et mettez de côté.
2. **Préchauffez le gril, puis réduire à MOYEN (135-177°C / 275-350°F).**
3. Rincez les poules de Cornouailles et essuyez à l'aide d'un papier absorbant. Remplissez les poules de Cornouailles avec la garniture et attachez les pattes à l'aide d'une ficelle. Badigeonnez légèrement les poules avec de l'huile; saupoudrez avec du paprika.
4. Placez les poules de Cornouailles sur le gril. Grillez pendant 45 à 60 minutes, jusqu'à ce que la viande soit tendre lorsqu'on la presse.

5. Badigeonnez les poules avec la marmelade à l'orange pendant les 20 dernières minutes de cuisson. Enlevez du gril et présentez sur un plateau de service.

CONSEIL : Si vous souhaitez récolter les gouttes de graisse pour faire une sauce, placez les poules dans un plat en aluminium et ajoutez assez d'eau ou de jus pour couvrir le fond à environ 0,6 cm / ¼ po d'épaisseur.

KEBABS DE CREVETTES AVEC BEURRE AU CURRY

4 portions

Ingrédients :

900g / 2 lbs crevettes (décortiquées, déveinées)
125ml / ½ c. beurre de curry
15 ml / 1 c. à s huile d'olive
1 lime
aneth frais

Beurre de curry

125 ml / ½ c. beurre
30 ml / 2 c. à s oignons (hachés)
15 ml / 1 c. à s aneth frais
5 ml / 1 cc poudre de curry
Pincée poudre d'ail

Saveur de granulés de bois suggérée : Mesquite / Compétition

Instructions :

1. Faites tremper les brochettes de bois dans l'eau pendant environ 1 heure.
2. **Préchauffez le gril, puis réduire à 135-177°C / 275-350°F.**
3. Préparez le beurre Curry en faisant fondre le beurre dans une petite casserole à feu moyen-élevé. Ajoutez les oignons, l'aneth, la poudre de curry et la poudre d'ail. Faites cuire pendant cinq minutes, puis retirez du feu.
4. Étalez les crevettes sur les brochettes, en laissant de l'espace entre les morceaux. Badigeonnez légèrement d'huile d'olive.
5. Placez les brochettes sur le gril et grillez jusqu'à ce que les crevettes soient blanches et tendres. Les crevettes grillent rapidement; prenez soin de ne pas trop les cuire. Tournez les brochettes une fois et badigeonnez-les avec du beurre de curry vers la moitié du temps de cuisson.
6. Déposez les crevettes grillées sur un plateau. Garnissez de quarts de lime et d'aneth.

CONSEIL : Pour enfourcher une crevette afin qu'elle soit droite, tenez-la en position écartée avec une main. Commencez par le bout (la queue) et insérez une brochette de bois ou de bambou dans la crevette afin qu'elle occupe toute sa longueur. Continuez à déplier la crevette avec vos doigts pendant cette étape.

CREVETTES AU BACON ET BASILIC SUR UN BÂTON

4 à 6 portions

Ingrédients :

24 grandes crevettes (décortiquées, déveinées)
24 entières feuilles de basilic frais
24 tranches bacon (tranches fines)

Saveur de granulés de bois suggérée : Cerise / Pomme

Instructions :

1. Faites tremper les brochettes de bois dans l'eau pendant environ 1 heure.
2. **Préchauffez le grill, puis réduire à 135-177°C / 275-350°F.**
3. Enroulez un morceau de crevettes et une feuille de basilic dans une fine tranche de bacon, puis enfilez sur une brochette, en laissant un espace entre les pièces.
4. Placez les brochettes sur le grill et grillez jusqu'à ce que les crevettes soient blanches et tendres et le bacon soit joliment grillé. Les crevettes grillent rapidement; prenez soin de ne pas trop les cuire. Retournez les brochettes régulièrement pour éviter de les brûler.
5. Retirez du grill et servez.

DINDE ENTIÈRE FUMÉE

Nourri une petite armée - les restes sont délicieux!

Ingrédients :

1 entière dinde (dégelée)
9-11,3 kg / 20-25 lbs
60 ml / 4 c. à s assaisonnement
5 ml / 1 cc paprika fumé
45 ml / 3 c. à s beurre

Saveur de granulés de bois suggérée : Caryer / Cerise / Compétition

Instructions :

1. **Préchauffez le grill, puis réduire à 135-177°C / 275-350°F.**
2. Enlevez les cous et les abattis de la dinde. Rincez soigneusement la dinde et essuyez à l'aide d'un papier absorbant.
3. Dans un petit contenant, mélangez le beurre, 1/4 de l'assaisonnement et le paprika afin de former une pâte. Insérez délicatement votre main entre la peau extérieure et la viande de la poitrine. Bourrez la pâte à l'intérieur de la viande.
4. Avec l'assaisonnement restant, frotter la surface extérieure de la dinde.
5. Placez la dinde, poitrine vers le haut, dans le centre de la grille de cuisson et faites griller jusqu'à ce que la dinde soit tendre et brune dorée; la température interne doit atteindre 82°C / 180°F dans la partie la plus épaisse de la cuisse et 77°C / 170°F dans la poitrine.
6. Enlevez la dinde, couvrez-la avec une feuille d'aluminium et laissez-la reposer pendant 10 minutes avant de la découper.

CONSEIL : Si vous aimez utiliser la graisse et les jus qui se sont écoulés pour en faire une sauce onctueuse, alors placez la dinde sur une grille à l'intérieur d'un grand plat à rôtir en aluminium. Ajoutez environ 0,6 cm / ¼ po d'eau ou de bouillon et des épices dans le fond de la poêle. Surveillez les jus, vous devrez peut-être en ajouter plus pendant la période de rôtissage.

POULET À LA BIÈRE

2 à 6 portions

Ingrédients :

1 entier poulet
1,8-2,7 kg / 4-6 lbs
1 cannette bière, n'importe laquelle
45 ml / 3 c. à s assaisonnement

Saveur de granulés de bois suggérée : Caryer / Pomme / Compétition

Instructions :

1. **Préchauffez le grill, puis réduire à 135-177°C / 275-350°F.**
2. Ouvrez la boîte et versez la moitié de la bière dans un verre à boire. Laissez la moitié dans la boîte, et faites quelques trous supplémentaires dans la partie supérieure de la boîte pour augmenter la ventilation. Ajoutez un ¼ de l'assaisonnement à la boîte.
3. Rincez soigneusement le poulet et essuyez à l'aide d'un papier absorbant. Saupoudrez 1/4 de l'apprêt à l'intérieur du trou du poulet. Avec l'assaisonnement restant, frotter la surface extérieure du poulet.
4. Insérez délicatement la cannette verticale dans le creux du poulet, placez sur le grill et fermez le couvercle du grill. Cuire jusqu'à ce que le poulet soit doré et croustillant; la température interne doit atteindre 74°C / 165°F.
5. A l'aide de pinces, retirez délicatement le poulet avec la boîte en position verticale du grill. Laissez-le reposer pendant 5 minutes, puis enlevez délicatement la cannette de la poule. Soyez prudent de ne pas renverser, le liquide sera chaud.
6. Taillez le poulet et servez-le.

Variation : POULET À LA BIÈRE SANS ALCOOL

À l'aide de la même méthode décrite ci-dessus, mais au lieu d'une bière vous pouvez utiliser votre boisson favorite comme du cola (pas diète), jus de fruit ou de l'eau avec des assaisonnements en plus.

INFORMACIÓN DE SEGURIDAD

LAS PRINCIPALES CAUSAS DE INCENDIOS DE APARATOS SON FRUTO DE UN MANTENIMIENTO DEFICIENTE Y DE QUE NO SE MANTENGA EL ESPACIO SUFICIENTE ENTRE EL APARATO Y LOS MATERIALES COMBUSTIBLES. ES DE SUMA IMPORTANCIA QUE ESTE PRODUCTO SE USE EXCLUSIVAMENTE DE ACUERDO CON LAS INSTRUCCIONES SIGUIENTES.

Lea y entienda todo el manual antes de intentar montar, manejar o instalar el producto. Esto le garantizará un disfrute completo y un funcionamiento sin problemas de su nueva barbacoa de pélets de madera. También le recomendamos que conserve este manual para futuras consultas.

PELIGROS Y ADVERTENCIAS

<p> PELIGRO</p> <p>Si detecta olor a gas:</p> <ul style="list-style-type: none">• Cierre la entrada de gas al aparato• Apague cualquier llama.• Abra la tapa.• Si el olor persiste, manténgase alejado del aparato y llame de inmediato al suministrador de gas o a los bomberos.	<p> ADVERTENCIA</p> <ul style="list-style-type: none">• No guarde ni utilice gasolina ni otros líquidos o vapores inflamables cerca de este u otro aparato.• No guarde cerca de este u otros aparatos ningún tanque de gas licuado que esté desconectado para su uso.	<p>CÓDIGOS DE INSTALACIÓN DE LA BARBACOA</p> <ul style="list-style-type: none">• La instalación debe ser conforme a los códigos locales o, en su ausencia, al código nacional de gas combustible, ANSI Z 223.1/NFPA 54, código de instalación de gas natural y propano, CSA B149.1 o código de almacenamiento y manipulación del propano, B149.2.• Los modelos de barbacoa a gas licuado están diseñados para su uso con un tanque de gas propano líquido estándar de 9 kg (20 lb.), no incluido con la barbacoa. Nunca conecte la barbacoa a gas a un tanque de gas licuado que exceda esta capacidad.
--	--	---

Debe ponerse en contacto con los encargados locales de su vivienda, edificio o de los bomberos, o autoridad competente, para obtener los permisos necesarios, misión o información sobre cualquier restricción de la instalación, como los de cualquier barbacoa que se instale en una superficie combustible, requisitos de inspección o incluso la capacidad de uso, de su zona.

1. Debe mantenerse una distancia mínima de 914 mm entre los recipientes de combustible y los lados de la barbacoa, y de 914 mm entre la parte posterior de la barbacoa y los recipientes de combustible. **No instale el aparato en suelos combustibles o en suelos protegidos con superficies combustibles a menos que se obtengan los permisos y autorizaciones correspondientes de las autoridades competentes.** No use este aparato en el interior, en áreas cerradas o no ventiladas, dentro de los hogares, vehículos, tiendas de campaña, garajes. Este aparato de gránulos de madera no debe colocarse debajo de techos o voladizos combustibles. Mantenga la barbacoa en un área libre de materiales combustibles, gasolina y otros vapores y líquidos inflamables.

Si la grasa prende fuego, **APAGUE** la barbacoa y deje cerrada la tapa hasta que se extinga el fuego. Desenchufe el cable de alimentación. No arroje agua sobre la unidad. No intente sofocar el fuego. Conviene tener a mano un extintor de incendios multiusos (clase ABC). Si se produce un incendio no controlado, llame a los bomberos.

2. Mantenga los cables de alimentación eléctrica y el combustible lejos de las superficies calientes. No use la barbacoa en condiciones de lluvia ni cerca de fuentes de agua.
3. Tras un período de almacenamiento, o de no uso, compruebe si hay alguna obstrucción en la rejilla del quemador, objetos extraños en la tolva y cualquier bloqueo de aire alrededor de la entrada del ventilador o chimenea. Limpie antes de usar. Se requiere un cuidado y mantenimiento periódico para prolongar la vida útil de la unidad. **Si la barbacoa se guarda en el exterior durante la temporada de lluvias o de gran humedad, debe tomar precauciones para asegurarse de que no entre agua en la tolva.** Si se mojan o exponen a una gran humedad, los gránulos de madera se hincharán y descompondrán, pudiendo llegar a atascar el sistema de alimentación. Desconecte siempre la fuente de alimentación antes de realizar cualquier servicio o mantenimiento.

No transporte la barbacoa mientras esté en uso o caliente. Antes de mover la barbacoa, asegúrese de que esté fría al tacto y el fuego se haya extinguido por completo.

4. Se recomienda usar guantes para barbacoa resistentes al calor cuando manipule la barbacoa. No use accesorios que no estén indicados de manera específica para este aparato. No coloque una tapa de barbacoa ni nada que sea inflamable en el espacio de almacenamiento debajo de la barbacoa.
5. Para evitar que los dedos, la ropa u otros objetos entren en contacto con el alimentador de espiral, el aparato está equipado con una pantalla metálica de seguridad, montada en el interior de la tolva. Esta pantalla no debe retirarse a menos que así lo indique el departamento de Atención al cliente o un distribuidor autorizado.

Este aparato no está recomendado para menores, personas con capacidades físicas, sensoriales o mentales limitadas, o que carezcan de experiencia o conocimientos, a menos que estén bajo la supervisión o instrucción directa de una persona responsable de su seguridad.

6. Algunos elementos de la barbacoa pueden estar muy calientes y producir lesiones graves. Mantenga alejados a los niños pequeños y a las mascotas mientras se usa.
7. No agrande los orificios del sistema de ignición ni los fosos del quemador. El incumplimiento de esta advertencia puede dar lugar a peligro de incendio y lesiones corporales, y anulará la garantía.
8. El producto puede presentar bordes afilados o puntas. El contacto puede producir lesiones. Manipúlelo con cuidado.
9. El tanque de gas licuado (LP) debe estar fabricado y marcado de acuerdo con las especificaciones de tanques de gas licuado del Departamento de transporte (D.O.T.) estadounidense o la Norma nacional de Canadá, CAN/CSA-B339, tanques, esferas y tubos para el transporte de mercancías peligrosas; y Comisión.
10. El tanque de gas licuado debe tener una válvula de cierre, con una terminación en una salida de la válvula del tanque de suministro de gas licuado, que sea compatible con un dispositivo para la conexión de tanques Tipo 1. El tanque de gas licuado también debe tener un dispositivo de salida de seguridad con conexión directa al espacio de vapor del tanque.
11. El sistema de suministro del tanque debe estar preparado para la retirada de vapor.
12. El tanque de gas licuado que se utilice deben tener un collarín para proteger la válvula del tanque
13. Esta barbacoa para exteriores no está prevista para su instalación en o dentro de vehículos o barcos recreativos.

Nunca utilice este aparato en un espacio cerrado, como una autocaravana, tienda de campaña, automóvil, barco o vivienda. Este aparato no está previsto para su uso como estufa y nunca debe utilizarse como tal.

14. No obstruya la circulación del aire de combustión y ventilación a este aparato. Mantenga limpios y sin residuos el tubo del quemador y las portillas. Limpie antes de usar. Se requiere un cuidado y mantenimiento periódico para prolongar la vida útil de la unidad.
15. Compruebe siempre si hay fugas de gas cuando conecte y desconecte el regulador al tanque de gas, especialmente tras un período de almacenamiento prolongado (en invierno, por ejemplo). Compruebe todas las conexiones para ver si hay fugas con una solución de agua jabonosa y un cepillo. Nunca use una llama para comprobar si hay fugas.

16. Limpie e inspeccione el regulador de gas antes de cada uso del aparato de gas para cocinar en el exterior. Cambie el regulador de gas antes de usarlo si presenta señales de abrasión o desgaste excesivo. Utilice solo el mecanismo del regulador de gas que se suministra con esta barbacoa a gas. No utilice reguladores de otros fabricantes.

No utilice piedra de lava, trozos de madera, carbón, líquido de encendido, alcohol u otros productos químicos similares para encender por primera vez o para volver a encender. Mantenga ese tipo de sustancias y líquidos lejos del aparato cuando lo esté usando.

17. Utilice este aparato solo con gas licuado, que también se especifica en la etiqueta de clasificación de la unidad. No intente hacer funcionar la barbacoa con otros gases. No intente convertir esta unidad de gas licuado a gas natural. El incumplimiento de esta advertencia puede dar lugar a incendio y lesiones corporales, y anulará la garantía.

ELIMINACIÓN DE LAS CENIZAS

Las cenizas se deben colocar en un contenedor metálico con tapa hermética. El contenedor de cenizas cerrado debe colocarse en una superficie no combustible o en el suelo, alejado de todos los materiales combustibles, hasta su eliminación definitiva. Si va a eliminar las cenizas enterrándolas o dispersándolas de forma local, deben conservarse en un recipiente cerrado hasta que todas las cenizas se hayan enfriado por completo.

COMBUSTIBLE DE GRÁNULOS DE MADERA

Este aparato de cocina de gránulos está diseñado y aprobado solo para combustibles de gránulos de madera completamente naturales. Cualquier otro tipo de combustible que se use en este aparato anulará la garantía y los anuncios de seguridad. Debe usar únicamente gránulos de madera completamente naturales, diseñados para parrillas de barbacoas para gránulos. No use combustible con aditivos. El valor calorífico medio del combustible de pélets es de 18,6-20,4 MJ/kg (8000-8770 Btu/lb), cenizas de <1%.

No use alcohol, petróleo, gasolina, líquido inflamable ni queroseno para encender o reavivar un fuego en la barbacoa. Mantenga ese tipo de líquidos alejados del aparato cuando lo esté usando.

En la fecha de impresión, no hay normas del sector para los gránulos de madera para barbacoas, si bien casi todos los fabricantes de gránulos usan las mismas normas para la fabricación de gránulos de madera de uso doméstico. Encontrará más información en www.pelletheat.org o **Pellet Fuel Institute**.

Póngase en contacto con su distribuidor local para consultar la calidad de los gránulos de su zona y para obtener información sobre la calidad de las marcas. Como no existe ningún control que regule la calidad de los gránulos usados y afectados por la humedad, no nos responsabilizamos de los daños ocasionados por la mala calidad del combustible.

CREOSOTA

La creosota, u hollín, es una sustancia similar al alquitrán. Al quemarse produce un humo negro con un residuo también de color negro. El hollín o la creosota se forma cuando el aparato se usa de forma incorrecta, como por ejemplo, si el ventilador de combustión está bloqueado, no se limpia ni mantiene el área del quemador o la combustión aire/combustible es deficiente.

Es peligroso manipular este aparato si las llamas se oscurecen, despiden hollín o si el foso del quemador contiene demasiados gránulos. Cuando se enciende, la creosota produce un fuego muy caliente y descontrolado, similar al fuego por grasa. Si esto ocurre, APAGUE la unidad, déjela enfriar por completo e inspecciónela para comprobar su mantenimiento y limpieza. Normalmente se acumula a lo largo de las áreas de extracción.

Si se ha formado creosota dentro de la unidad, caliente la unidad a baja temperatura, apáguela y, a continuación, limpie cualquier formación con un paño. Al igual que el alquitrán, su limpieza resulta mucho más fácil en caliente ya que se vuelve líquida.

ADVERTENCIAS SOBRE EL GAS PROPANO

1. Asegúrese de comprar el tanque de gas a un proveedor de confianza. Un tanque de gas licuado relleno incorrectamente o en exceso puede resultar peligroso. Un relleno en exceso combinado con el calentamiento del tanque de gas licuado (un día de verano caluroso, el tanque se deja al sol, etc.) puede producir una fuga de gas licuado pues el aumento de temperatura hace expandir el gas. La fuga de gas del tanque es inflamable y puede explotar.

- No utilice un tanque de gas licuado si tiene alguna válvula dañada o presenta señales de abolladuras, boquetes, bultos, daño por fuego, corrosión, fugas, óxido excesivo u otras formas de daños externos visibles; puede resultar peligroso y un proveedor de propano líquido debe realizar una comprobación de inmediato.

Si ve, huele o escucha el silbido de un escape de gas del tanque, no intente encender el aparato. Apague cualquier llama. Desconéctelo de la fuente de suministro de combustible.

- No conecte ni desconecte el tanque de gas mientras la unidad esté aún caliente o en uso. Cuando la barbacoa no esté en uso, asegúrese de que la perilla reguladora esté en posición OFF (apagado) y desconecte el tanque de gas. Nunca mueva ni transporte la unidad con el tanque de gas conectado. No guarde un tanque de gas licuado de repuesto debajo o cerca del aparato.

MONÓXIDO DE CARBONO (el "asesino silencioso")

El monóxido de carbono es un gas incoloro, inodoro, insípido que se produce al quemar gas, madera, propano, carbón u otro combustible. El monóxido de carbono reduce la capacidad de la sangre de transportar oxígeno. Un bajo nivel de oxígeno en sangre puede producir dolor de cabeza, mareos, náuseas, vómitos, somnolencia, confusión, pérdida de conocimiento o muerte. Siga estas pautas para impedir que usted, su familia u otras personas resulten intoxicadas por este gas incoloro e inodoro:

- Consulte con un médico si usted u otras personas experimentan síntomas parecidos a los de un catarro o gripe mientras cocina o se encuentra cerca del aparato. La intoxicación por monóxido de carbono, que puede confundirse fácilmente con un catarro o la gripe, frecuentemente se detecta demasiado tarde.
- El consumo de alcohol y el uso de fármacos incrementa los efectos de la intoxicación por monóxido de carbono.

El monóxido de carbono resulta especialmente tóxico para la madre y su hijo/a durante el embarazo, bebés pequeños, personas mayores, fumadores y personas con problemas del sistema sanguíneo o circulatorio, como anemia o enfermedad cardíaca.

ANUNCIOS DE SEGURIDAD

De acuerdo con los procedimientos y especificaciones enumerados en UL 2728A-2019 "aparatos de cocción de combustible de pellets" y ULC / ORD C2728-19 "para características eléctricas de equipos de combustión". Los aparatos de cocción de pellets Pit Boss® Grills han sido probados de forma independiente y listados por CSA (un laboratorio de pruebas acreditado) según las normas UL y ULC.

Cumple con ANSI Z21.58-2018 / CSA 1.6-2018 Aparatos de gas para cocinar al aire libre.



DECLARACIÓN DE CONFORMIDAD CON LA FCC

Este equipo cumple con los límites de exposición a la radiación de la FCC establecidos para un entorno no controlado. Este equipo debe instalarse y utilizarse con una distancia mínima de 20 cm entre el radiador y su cuerpo. Este transmisor no debe colocarse ni funcionar junto con ninguna otra antena o transmisor. Este dispositivo cumple con la parte 15 de las normas de la FCC. Su funcionamiento está sujeto a las dos condiciones siguientes: (1) Este dispositivo no puede causar interferencias perjudiciales, y (2) Este dispositivo debe aceptar cualquier interferencia recibida, incluyendo interferencias que puedan causar un funcionamiento no deseado.



Este equipo se ha probado y se ha determinado que cumple con los límites para un dispositivo digital de clase B, de acuerdo con la parte 15 de las normas de la FCC. Estos límites están destinados a ofrecer una protección razonable frente a interferencias perjudiciales en instalaciones residenciales. Este equipo genera, utiliza y puede irradiar energía de radiofrecuencia y, si no se instala y utiliza de acuerdo con las instrucciones, puede causar interferencias perjudiciales en las comunicaciones de radio. Sin embargo, no existe ninguna garantía de que no se produzcan interferencias en una determinada instalación. Si este equipo llega a causar interferencias indeseables en la recepción de radio o televisión, lo cual se puede determinar apagando y encendiendo el equipo, se recomienda al usuario que trate de corregir la interferencia tomando una o más de las siguientes medidas:

- Reorientar o cambiar la ubicación de la antena receptora.
- Aumentar la separación entre el equipo y el receptor.
- Conectar el equipo a una toma de corriente a un circuito distinto al que está conectado el receptor.
- Consultar al distribuidor o a un técnico de radio/televisión experimentado para obtener ayuda.

Precaución: Se advierte al usuario que los cambios o modificaciones no aprobados expresamente por la parte responsable del cumplimiento podrían anular la autoridad del usuario para operar el equipo.

La palabra Bluetooth® y su logotipo son marcas comerciales registradas propiedad de Bluetooth SIG, Inc. y el uso de dichas marcas por parte de Espressif se efectúa bajo licencia. Otras marcas y nombres comerciales pertenecen a sus respectivos propietarios.



AVISO DE COPYRIGHT

Copyright 2020. Todos los derechos reservados. Ninguna parte de este manual podrá copiarse, transmitirse, transcribirse, almacenarse en un sistema de recuperación, de ninguna forma ni por cualquier medio sin la autorización expresa por escrito de:

Dansons

3411 North 5th Avenue, Suite 500, Phoenix, AZ, USA 85013
sales@pitboss-grills.com | service@pitboss-grills.com
www.pitboss-grills.com

Atención al cliente

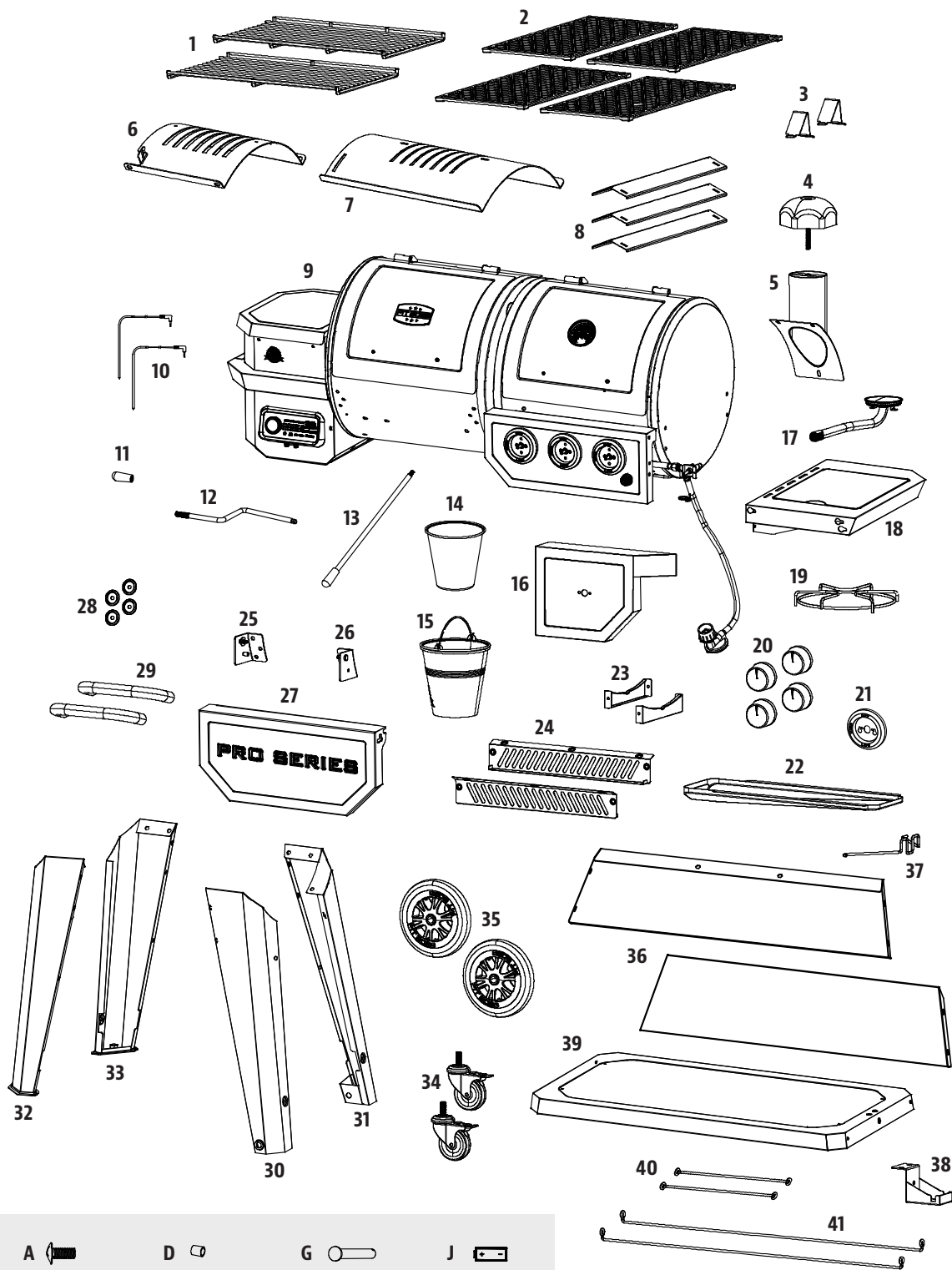
De lunes a domingo, de 4:00 a 20:00, PST (EN/FR/ES)







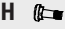



Llamada gratuita: 1-877-303-3134, Fax: 1-877-303-3135

ÍNDICE

Información de seguridad.....	100	Instrucciones de funcionamiento de los pélets de madera	
Piezas y especificaciones	106	Entorno de la barbacoa.....	120
Preparación del montaje	108	Rangos de temperatura de la barbacoa.....	121
Instrucciones de montaje		Descripción del tablero de control	122
Montaje del soporte de la bandeja para grasa	108	Funciones del tablero de control	124
Montaje de la bandeja de grasa en el barril principal	108	Connecting To The Smoke iT® App	126
Montaje de las patas en el barril principal.....	109	Procedimiento de cebado de la tolva.....	126
Instalación del estante inferior.....	109	Primer uso: quemar la parrilla.....	127
Asegurar los paneles frontal / posterior del carro.....	109	Procédure de démarrage automatique.....	127
Conexión de las ruedas al carro	110	Arrêt de votre gril.....	127
Conexión de las ruedas giratorias al carro	110	Instrucciones de funcionamiento del ahumado	127
Sujeción de los topes de la tapa	110	Instrucciones de funcionamiento del gas propano	
Sujeción de la chimenea	111	Entorno de la barbacoa.....	128
Instalación de las asas de la tapa	111	Primer uso: quemar la parrilla.....	128
Sujeción de la barra del carro	111	Procedimiento de arranque automático.....	128
Montaje del retén del cable de la bombona.....	112	Procedimiento de arranque manual	129
Instalación del soporte de la bombona	112	Primer uso: funcionamiento de los quemadores.....	129
Sujeción de los soportes de los estantes delanteros	112	Encendido	129
Instalación del estante delantero.....	112	Apagar la barbacoa	130
Montaje del estante del quemador lateral	113	Control de llamaradas	130
Montaje del estante del quemador lateral	113	Minimización de llamaradas	130
Instalación de la válvula del quemador lateral	113	Cuidado y mantenimiento	131
Montaje de los botones del quemador.....	113	Uso del combustible de pellets de madera	132
Asegurar el quemador lateral.....	114	Lineamientos para cocinar	132
Colocación de la rejilla del quemador lateral.....	114	Consejos y técnicas.....	135
Inserción del cable de encendido	114	Resolución de problemas	136
Sujeción del retén del tubo.....	114	Diagrama de cableado eléctrico	139
Instalación de los componentes de la parrilla	115	Piezas de repuesto	
Instalación de los componentes de cocina.....	116	Piezas de repuesto de la barbacoa.....	140
Colocación del cubo recoge grasa y la bandeja para la grasa	116	Piezas de repuesto de la tolvas.....	142
Instalación de la batería	117	Garantía	
Conexión a una fuente de alimentación.....	117	Condiciones.....	142
Conexión a una fuente de gas		Excepciones	143
Requisitos de tanque de gas	118	Pedido de piezas de repuesto	143
Instalación de un tanque de gas	118	Póngase en contacto con atención al cliente	143
Preparación para el uso: comprobación de fugas.....	118	Servicio de garantía	143
Desconexión de tanque de gas.....	119	Recetas	144

PIEZAS Y ESPECIFICACIONES



A		D		G		J	
B		E		H			
C		F		I			



PIEZAS Y ESPECIFICACIONES

N.º	Descripción
1	Bandeja para cocinar superior de acero con capa de porcelana (x2)
2	Rejillas para cocinar de hierro forjado recubierto de porcelana (x4)
3	Tapón de la tapa (x2)
4	Tapa de la chimenea (x1)
5	Pila de chimenea (x1)
6	Guía de la parrilla (x1)
7	Placa principal de la parrilla (x1)
8	Barras saborizantes (x3)
9	Conjunto de parrilla principal/tolva (x1)
10	Sonda de carne (x2)
11	Asa del regulador de la parrilla (x1)
12	Regulador de la parrilla (x1)
13	Barra de ajuste del humo (x1)
14	Contenedor interno del cubo de grasa (x1)
15	Recogegrasa (x1)
16	Panel de quemador lateral (x1)
17	Quemador lateral (x1)
18	Repisa de quemador lateral (x1)
19	Rejilla de quemador lateral (x1)
20	Botón del quemador (x4)
21	Bisel de la perilla del quemador (x1)
22	Bandeja de grasa (x1)
23	Soporte de la bandeja de grasa A (x2)
24	Soporte de la bandeja de grasa B (x2)
25	Soporte del estante delantero izquierdo (x1)
26	Soporte del estante delantero derecho (x1)
27	Estante delantero (x1)
28	Asa de la tapa aros (x4)
29	Asa de la tapa (x2)
30	Pata de soporte / delantera (x1)
31	Pata de soporte / trasera (x1)
32	Pata de soporte para rueda pivotante / delantera (x1)
33	Pata de soporte para rueda pivotante / posterior (x1)
34	Ruedas pivotantes con freno (x2)
35	Ruedas (x2)
36	Panel delantero / trasero del carro (x2)

N.º	Descripción
37	Cable de retén de la bombona de gas LP (x1)
38	Soporte de la bombona de gas LP (x1)
39	Estante inferior del carro (x1)
40	Barra del carro A (x2)
41	Barra del carro B (x2)
A	Tornillos (x58)
B	Arandelas (x51)
C	Arandelas de retención (x49)
D	Casquillo (x2)
E	Clavijas de rueda (x2)
F	Arandelas de rueda (x2)
G	Clavijas de eje de rueda (x2)
H	Tornillos (x2)
I	Tuercas (x5)
J	Pila AA (x1)

NOTA: debido a que el producto está en desarrollo constante, las piezas están sujetas a cambios sin previo aviso. Póngase en contacto con el equipo de Atención al Cliente si durante el montaje de la unidad observa que falta alguna pieza.

PB – REQUISITOS ELÉCTRICOS

110-120 V, 60 HZ, 250 W, ENCHUFE DE 3 PATILLAS CON CONEXIÓN A TIERRA

MODELO	ASSEMBLÉ	PESO	ÁREA DE COCINA		RANGO DE TEMPERATURAS
PB	PB1100PSC2	1725 X 815 X 1282 MM / 67,91 X 32,09 X 50,47 PU	104,5 KG / 230,38 LB	PRINCIPAL - 2580,6 CM ² / 400 PU ²	82-260°C / 180-500°F
				SUPERIOR - 1489 CM ² / 230,8 PU ²	
				TOTAL - 4069,6 CM ² / 630,8 PU ²	
				TOTAL PARRILLA - 8139,2 CM² / 1261,6 PU²	

PREPARACIÓN DEL MONTAJE

Las piezas se encuentran repartidas por el embalaje de envío, incluso debajo de la parrilla. Inspeccione la parrilla, las piezas y el blíster de herrajes después de retirar el embalaje de envío protector. Tire todos los materiales de embalaje dentro y fuera de la barbacoa antes de proceder al montaje, y revise e inspeccione todas las piezas cotejándolas con la lista de piezas. Si alguna pieza falta o está dañada, no intente realizar el montaje. Los daños causados por el envío no está cubierto por la garantía. Póngase en contacto con su distribuidor o con la Atención al cliente de Pit Boss® para piezas: de lunes a domingo de 4:00 a 20:00 PST (EN/FR/ES).

service@pitboss-grills.com | LLAMADA GRATUITA: 1-877-303-3134 | FAX GRATUITO: 1-877-303-3135

IMPORTANTE: para facilitar la instalación y evitar lesiones, monte esta unidad entre dos personas.

Herramientas necesarias para el montaje: destornillador y nivel. *No se incluyen herramientas.*

INSTRUCCIONES DE MONTAJE

IMPORTANTE: Se aconseja leer cada paso en su totalidad antes de comenzar el montaje según las instrucciones. No ajuste los tornillos por completo hasta que se hayan colocado todos los tornillos de ese paso. La combinación de herrajes compuesta por una arandela de retención y una arandela se debe colocar con la arandela de retención más cerca del cabezal del tornillo.

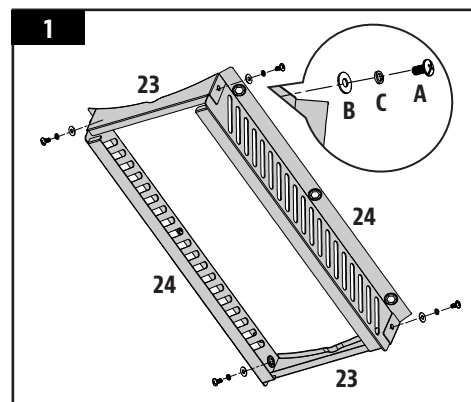
1. MONTAJE DEL SOPORTE DE LA BANDEJA PARA GRASA

Piezas necesarias:

- 2 x Soporte de la bandeja de grasa A (#23)
- 2 x Soporte de la bandeja de grasa B (#24)
- 4 x Tornillos (#A)
- 4 x Arandelas de retención (#C)
- 4 x Arandelas (#B)

Instalación:

- Monte el soporte de la bandeja de grasa A en el soporte de la bandeja de grasa B usando cuatro tornillos, arandelas de seguridad y arandelas.



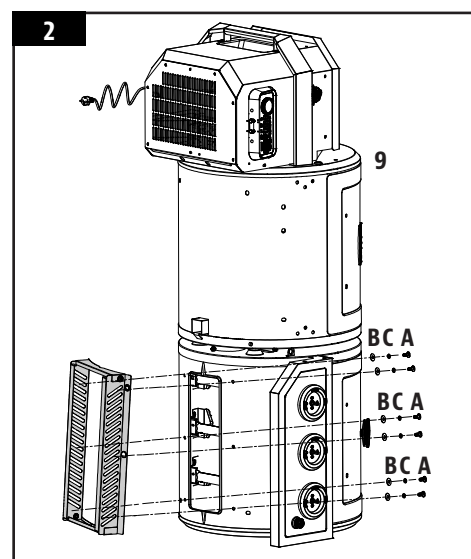
2. MONTAJE DE LA BANDEJA DE GRASA EN EL BARRIL PRINCIPAL

Piezas necesarias:

- 1 x Conjunto de parrilla principal/tolva (#9)
- 6 x Tornillos (#A)
- 6 x Arandelas de retención (#C)
- 6 x Arandelas (#B)

Instalación:

- Coloque un trozo de cartón plano en el suelo para evitar que se arañe la unidad. Apoye el tambor principal sobre un lado, con el extremo de la tolva hacia arriba, sobre el cartón.
- Monte los soportes de la bandeja de grasa en el extremo del piso del barril principal usando seis tornillos, arandelas de seguridad y arandelas.



3. MONTAJE DE LAS PATAS EN EL BARRIL PRINCIPAL

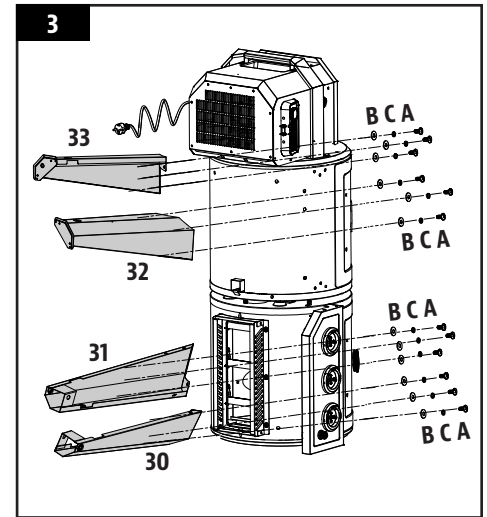
Piezas necesarias:

- 1 x Pata de soporte / delantera (#30)
- 1 x Pata de soporte / trasera (#31)
- 1 x Pata de soporte para rueda pivotante / delantera (#32)
- 1 x Pata de soporte para rueda pivotante / posterior (#33)
- 12 x Tornillos (#A)
- 12 x Arandelas de retención (#C)
- 12 x Arandelas (#B)

Instalación:

- Monte una pata de soporte en el extremo del piso del barril principal usando tres tornillos, arandelas de seguridad y arandelas, a través de los tres orificios pretaladrados. Instale tornillos desde el interior del barril principal. Repita la instalación para la segunda pata de apoyo.
- Monte una pata de soporte para la rueda giratoria en el extremo de la tolva del barril principal usando tres tornillos, arandelas de seguridad y arandelas, a través de los tres orificios pretaladrados. Instale tornillos desde el interior del barril principal. Repita la instalación para la segunda pata de apoyo para la rueda.

NOTA: Apriete los tornillos de las patas de soporte solo hasta la mitad para facilitar la instalación del estante inferior en el siguiente paso.



4. INSTALACIÓN DEL ESTANTE INFERIOR

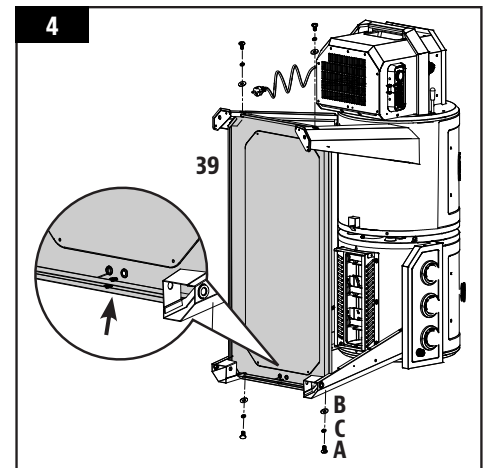
Piezas necesarias:

- 1 x Estante inferior del carro (#39)
- 4 x Tornillos (#A)
- 4 x Arandelas de retención (#C)
- 4 x Arandelas (#B)

Instalación:

- Fije el estante inferior del carro con una arandela, una arandela de seguridad y atornille cada una de las patas de soporte con la mano, pero ajústelo solo hasta la mitad.

NOTA: El lado del estante inferior del carrito con dos orificios debe ensamblarse en el lado del gas.



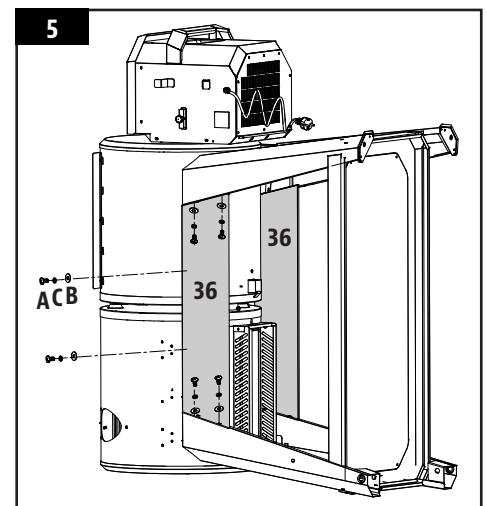
5. ASEGURAR LOS PANELES FRONTAL / POSTERIOR DEL CARRO

Piezas necesarias:

- 2 x Panel delantero / trasero del carro (#36)
- 12 x Tornillos (#A)
- 12 x Arandelas de retención (#C)
- 12 x Arandelas (#B)

Instalación:

- Asegure el panel frontal del carro a cada pata con dos arandelas, arandelas de bloqueo y tornillos en cada una de las dos patas de soporte. Asegure el panel frontal del carro al barril principal con otras dos arandelas, arandelas de seguridad y tornillos. Repita la instalación para el panel posterior del carro.



NOTA: Una vez instalados los paneles del carro, apriete firmemente todos los tornillos del carro.

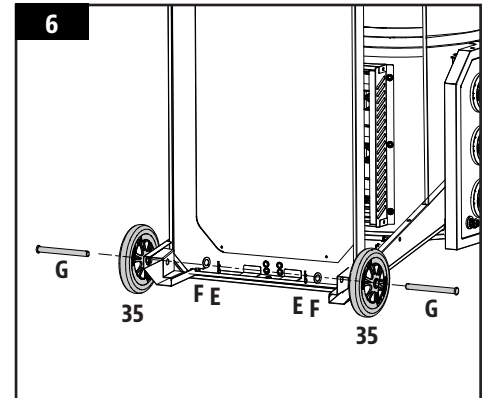
6. CONEXIÓN DE LAS RUEDAS AL CARRO

Piezas necesarias:

- 2 x Ruedas (#35)
- 2 x Clavijas de eje de rueda (#G)
- 2 x Arandelas de rueda (#F)
- 2 x Clavijas de rueda (#E)

Instalación:

- Conecte la rueda a la pata de soporte insertando el pasador del eje de la rueda a través de la rueda, el orificio de la pata de soporte, la arandela de la rueda y luego asegúrelo con el pasador de chaveta de la rueda. Repita la instalación para la otra rueda.



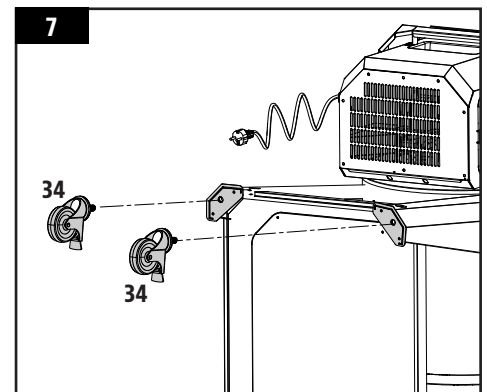
7. CONEXIÓN DE LAS RUEDAS GIRATORIAS AL CARRO

Piezas necesarias:

- 2 x Ruedas pivotantes con freno (#34)

Instalación:

- Inserte cada rueda giratoria de bloqueo en la parte inferior de las dos patas de apoyo apretándolas con la mano en el orificio. Se asegurará en la tuerca autoajustable. Asegúrese de que la rueda giratoria de bloqueo esté completamente insertada asegurándose de que no pueda girar más.
- Una vez que todas las ruedas estén aseguradas, bloquee las ruedas giratorias, luego, con otra persona, levante con cuidado la parrilla a una posición vertical.



IMPORTANTE: Vuelva a apretar los tornillos de las patas de apoyo para asegurarse de que estén completamente seguros después de colocar la parrilla en posición vertical.

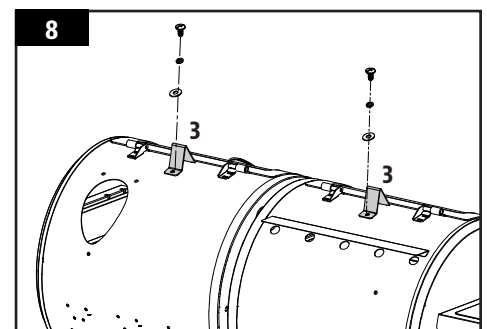
8. SUJECIÓN DE LOS TOPES DE LA TAPA

Piezas necesarias:

- 2 x Tapón de la tapa (#3)

Instalación:

- Asegure los dos tapones de la tapa en la parte superior del barril principal usando el tornillo preinstalado, la arandela de seguridad y la arandela en la parte superior.



9. SUJECIÓN DE LA CHIMENEA

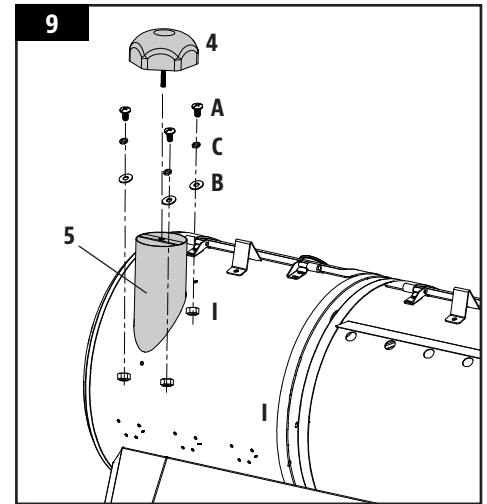
Piezas necesarias:

- 1 x Tapa de la chimenea (#4)
- 1 x Pila de chimenea (#5)
- 3 x Tornillos (#A)
- 3 x Arandelas de retención (#C)
- 3 x Arandelas (#B)
- 3 x Tuercas (#I)

Instalación:

- Localice la abertura de la chimenea en la parte trasera del barril de gas. Desde el interior del barril de gas, inserte la chimenea a través de la abertura. Inserte una arandela, una arandela de seguridad y un tornillo en cada orificio desde el exterior del barril de gas, pero ajuste solo hasta la mitad de la tuerca desde el interior. Una vez instalados los tres tornillos, apriételos completamente.
- A continuación, gire la tapa de la chimenea sobre la parte superior de la chimenea.

NOTA: Ajuste la tapa de la chimenea para afectar el flujo de aire dentro de la parrilla principal. Si cocina a bajas temperaturas, mantenga la tapa más abierta. Asegúrese de que la tapa de la chimenea permita que salga el aire.



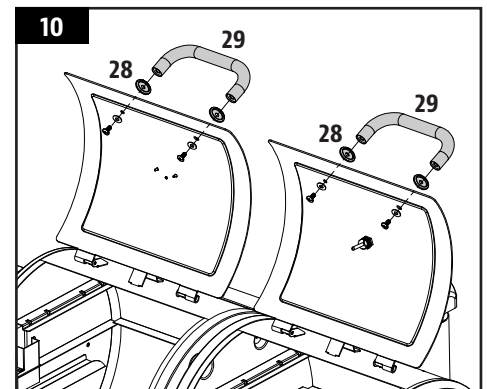
10. INSTALACIÓN DE LAS ASAS DE LA TAPA

Piezas necesarias:

- 4 x Asa de la tapa Aros (#28)
- 2 x Asa de la tapa (#29)

Instalación:

- Quite los tornillos preinstalados del asa de la tapa. Desde el interior de la tapa del barril, inserte un tornillo para que sobresalga hacia afuera. Agregue un bisel en el tornillo, luego apriete el tornillo a mano (desde el interior) en el asa de la tapa. Repita la misma instalación para el otro extremo del asa de la tapa.



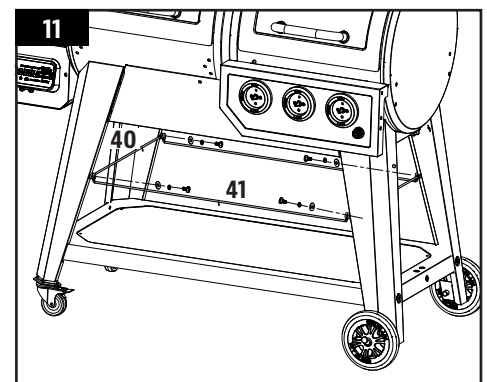
11. SUJECIÓN DE LA BARRA DEL CARRO

Piezas necesarias:

- 2 x Barra del carro A (#40)
- 2 x Barra del carro B (#41)

Instalación:

- Asegure la barra del carro A y la barra del carro B a cada pata de soporte usando los tornillos preinstalados, las arandelas de seguridad y las arandelas.



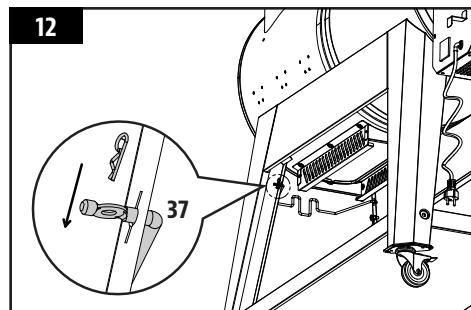
12. MONTAJE DEL RETÉN DEL CABLE DE LA BOMBONA

Piezas necesarias:

- 1 x Cable de retén de la bombona de gas LP (#37)

Instalación:

- Retire el clip en R del retenedor del cable del cilindro de gas LP. Conecte el retenedor del cable del cilindro de gas LP a las patas de soporte derechas. Utilice un clip en R para asegurar el retenedor de cables en su lugar.



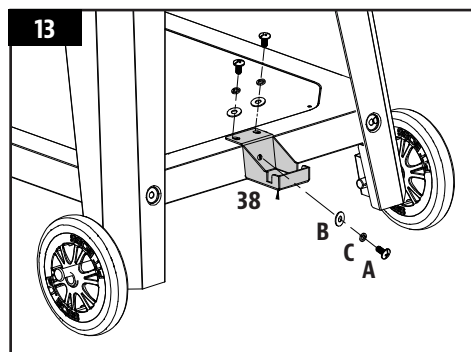
13. INSTALACIÓN DEL SOPORTE DE LA BOMBONA

Piezas necesarias:

- 1 x Soporte de la bombona de gas LP (#38)
- 3 x Tornillos (#A)
- 3 x Arandelas de retención (#C)
- 3 x Arandelas (#B)

Instalación:

- Asegure el soporte de la bombona de gas LP al estante inferior del carro con tres tornillos, arandelas de seguridad y arandelas.



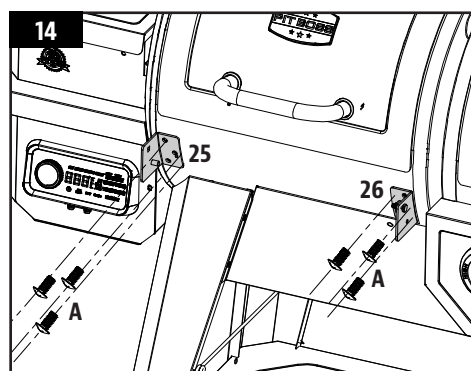
14. SUJECCIÓN DE LOS SOPORTES DE LOS ESTANTES DELANTEROS

Piezas necesarias:

- 1 x Soporte del estante delantero izquierdo (#25)
- 1 x Soporte del estante delantero derecho (#26)
- 6 x Tornillos (#A)

Instalación:

- Fije un soporte de estante frontal al frente del barril principal usando tres tornillos. Instale cada tornillo a la mitad, luego apriete completamente cuando los tres tornillos estén montados y alineados correctamente. Repita la misma instalación para el otro soporte de estante delantero.



15. INSTALACIÓN DEL ESTANTE DELANTERO

Piezas necesarias:

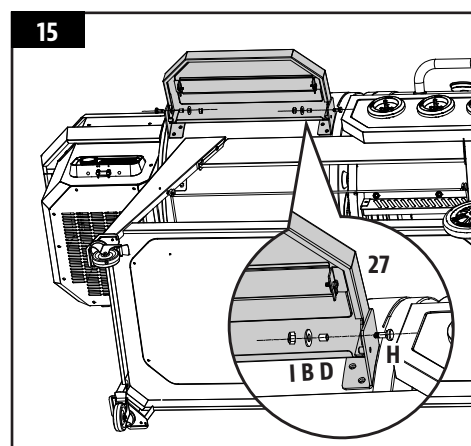
- 1 x Estante delantero (#27)
- 2 x Tornillos (#H)
- 2 x Arandelas (#B)
- 2 x Casquillo (#D)
- 2 x Tuercas (#I)

Instalación:

- Desde abajo, inserte el tornillo (desde el exterior) en el soporte del estante delantero y el estante delantero, luego agregue el casquillo en el tornillo, la arandela y luego la tuerca. Repita la instalación para el otro lado del estante frontal.

NOTA: Cuando se instala correctamente, el estante frontal se puede levantar (para usar) y bajar (para almacenamiento) con facilidad.

IMPORTANTE: Evite usar los estantes para mover o levantar la parrilla. El peso de la unidad hará que los estantes se rompan, lo que no está cubierto por la garantía.



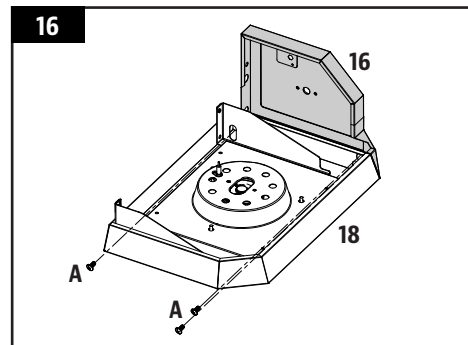
16. MONTAJE DEL ESTANTE DEL QUEMADOR LATERAL

Piezas necesarias:

- 1 x Panel de quemador lateral (#16)
- 1 x Repisa de quemador lateral (#18)
- 3 x Tornillos (#A)

Instalación:

- Flip the Side Burner Shelf upside-down. Mount the Side Burner Shelf onto the Side Burner Panel with three washers, locking washers, and screws.



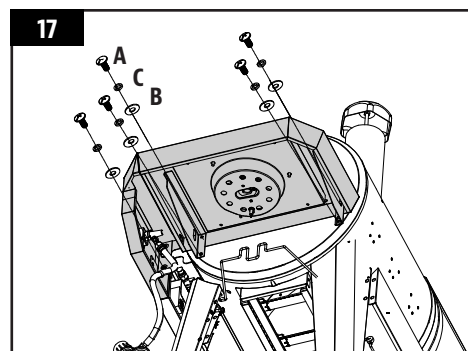
17. MONTAJE DEL ESTANTE DEL QUEMADOR LATERAL

Piezas necesarias:

- 5 x Tornillos (#A)
- 5 x Arandelas de retención (#C)
- 5 x Arandelas (#B)

Instalación:

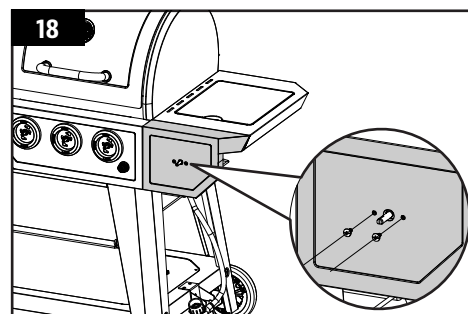
- Monte el estante del quemador lateral en la tapa del extremo del barril de gas con cinco arandelas, arandelas de bloqueo y tornillos.



18. INSTALACIÓN DE LA VÁLVULA DEL QUEMADOR LATERAL

Instalación:

- Asegure la válvula del quemador lateral en el panel del quemador lateral con dos tornillos preinstalados en la válvula del quemador lateral.
- Apriete los tornillos solo hasta la mitad para facilitar la instalación en el siguiente paso.



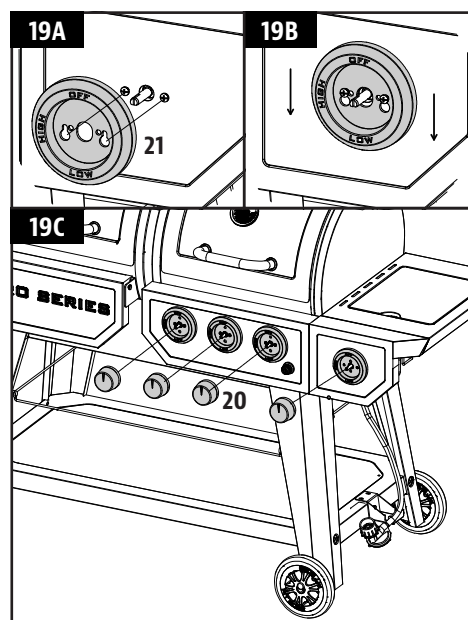
19. MONTAJE DE LOS BOTONES DEL QUEMADOR

Piezas necesarias:

- 4 x Botón del quemador (#20)
- 1 x Bisel de la perilla del quemador (#21)

Instalación:

- Primero, instale el bisel de la perilla del quemador en la parte frontal del panel del quemador lateral. Asegúrese de que los dos orificios grandes de la llave estén alineados con los tornillos. Consulte la ilustración 19A.
- Mueva el bisel de la perilla verticalmente hacia abajo para que el extremo pequeño del orificio de la cerradura toque los tornillos y luego apriete los tornillos. Consulte la ilustración 19B.
- Coloque las perillas del quemador en el bisel de la perilla del quemador y los vástagos de válvula que sobresalen, asegurándose de alinear la parte plana del vástago con la parte plana de la perilla. Empuje cada perilla de quemador en el vástago hasta que esté firmemente asentada. Consulte la ilustración 19C.



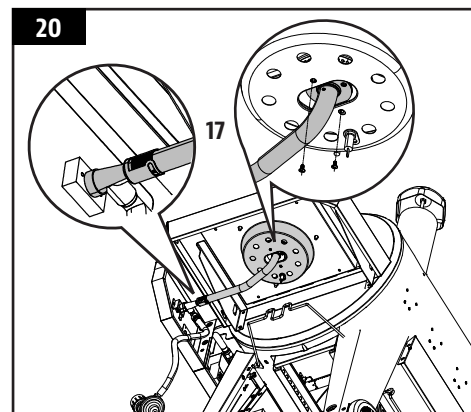
20. ASEGURAR EL QUEMADOR LATERAL

Piezas necesarias:

1 x Quemador lateral (#17)

Instalación:

- Quite los dos tornillos preinstalados de la parte inferior del estante del quemador lateral. Desde arriba, inserte con cuidado el quemador lateral en el estante del quemador lateral, luego asegúrelo con los dos tornillos que quitó anteriormente.
- Luego, inserte el extremo del quemador lateral en la válvula del quemador lateral, completando la conexión del quemador lateral a la perilla del quemador.



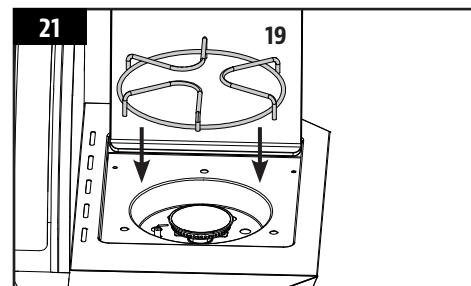
21. COLOCACIÓN DE LA REJILLA DEL QUEMADOR LATERAL

Piezas necesarias:

1 x Rejilla de quemador lateral (#19)

Instalación:

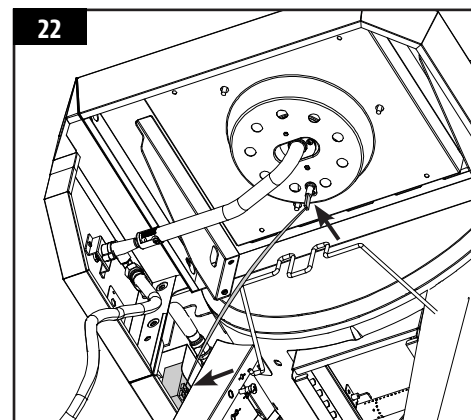
- Abra la tapa del estante del quemador lateral. Coloque la rejilla del quemador lateral en el estante del quemador lateral.



22. INSERCIÓN DEL CABLE DE ENCENDIDO

Instalación:

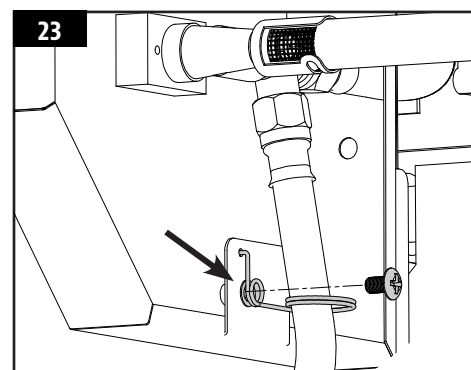
- Ubique el cable de encendido detrás del panel de control de gas (panel frontal con tres perillas).
- Sin desconectarlo del panel de control de gas, enchufe el cable del encendedor en el extremo del electrodo del quemador lateral. Verifique para asegurarse de que el electrodo esté firmemente conectado.



23. SUJECIÓN DEL RETÉN DEL TUBO

Instalación:

- Monte el retenedor de manguera fijo de la manguera de gas en la parte posterior del panel del quemador lateral con el tornillo preinstalado.



24. INSTALACIÓN DE LOS COMPONENTES DE LA PARRILLA

Piezas necesarias:

- 1 x Guía de la parrilla (#6)
- 1 x Placa principal de la parrilla (#7)
- 1 x Asa del regulador de la parrilla (#11)
- 1 x Regulador de la parrilla (#12)

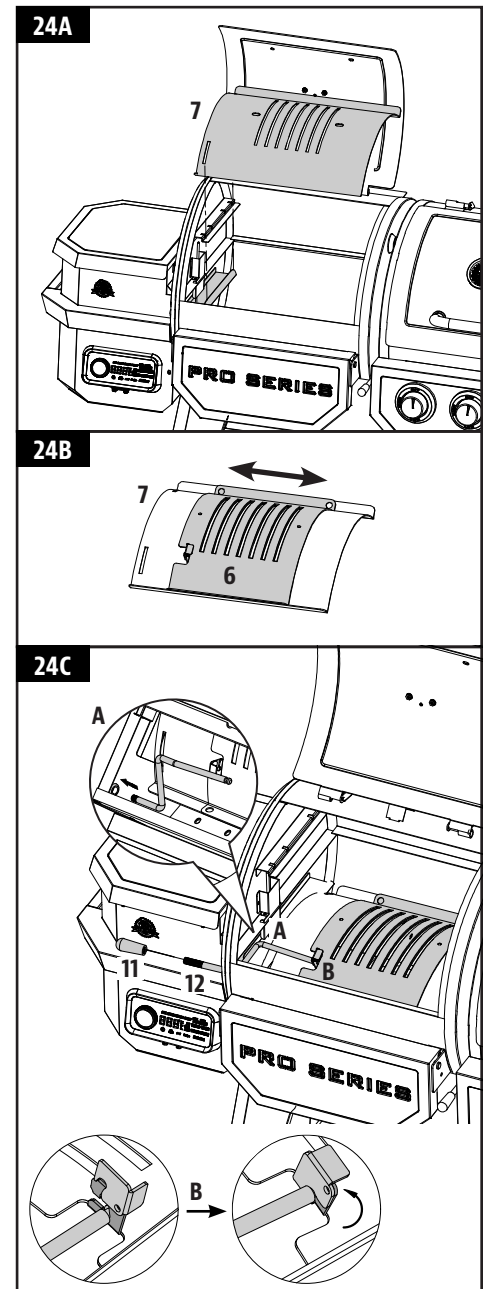
Instalación:

- Introduzca la placa principal del asador en el tambor principal (el lado derecho primero). Pose la placa principal del asador en el saliente integrado (en el lado derecho interior) del tambor principal que dirige la grasa hacia el cubo recogegrasa. Deslice toda la pieza hacia la izquierda. Las dos ranuras de la placa principal del asador encajarán en el saliente redondeado situado encima de la cámara de ignición. Esto hará que se incline ligeramente hacia abajo. Consulte la ilustración 24A.

IMPORTANTE: Si la placa principal del asador está en la base del tambor, está instalada incorrectamente. La placa principal del asador debe estar inclinada, con el lado izquierdo más alto que el derecho. Una mala instalación de esta pieza puede provocar daños en el tambor de la parrilla.

- Coloque la guía del asador en la parte superior de la placa principal del asador, de manera que las aperturas ranuradas queden cubiertas. Asegúrese de que la pestaña elevada esté a la izquierda, para un sencillo ajuste de la llama directa o indirecta cuando cocine. Consulte la ilustración 24B. Las piezas del asador tienen una fina capa de aceite para evitar la corrosión durante el envío.
- A continuación, desmonte el asa de la barra de ajuste del asador. Introduzca la barra de ajuste del asador a través del orificio de apertura del lado izquierdo del tambor principal. Vuelva a colocar el asa de la barra de ajuste del asador en el extremo que queda fuera del tambor. A continuación, deslice el extremo dentado de la barra de ajuste en la pestaña de bloqueo de la guía del asador, lo que le permite acceder a la guía del asador de la placa principal para ajustarla. Consulte los pasos en la ilustración 24C.

NOTA: Cuando la guía del asador esté abierta y se utilice la llama directa, no descuide la parrilla en ningún momento.



25. INSTALACIÓN DE LOS COMPONENTES DE COCINA

Piezas necesarias:

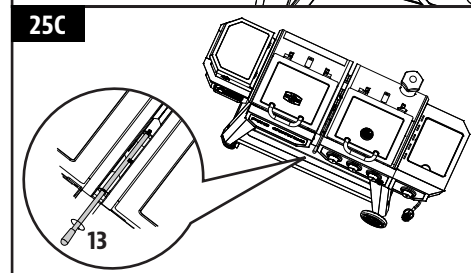
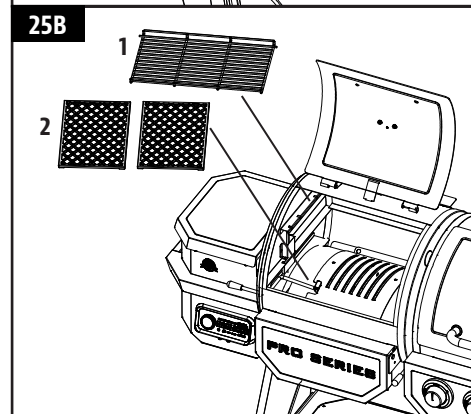
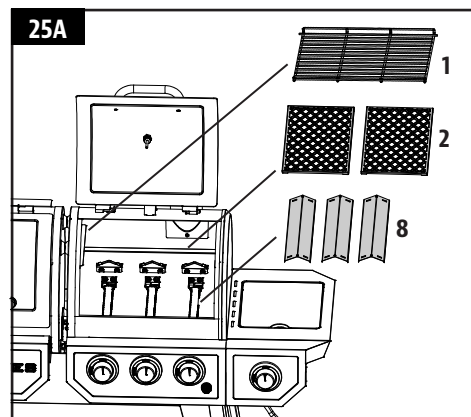
- 2 x Bandeja para cocinar superior de acero con capa de porcelana (#1)
- 4 x Rejillas para cocinar de hierro forjado recubierto de porcelana (#2)
- 3 x Barras saborizantes (#8)
- 1 x Barra de ajuste del humo (#13)

Instalación:

- Primero, en el lado del barril de gas, coloque las tres carpas térmicas en la parte superior de los quemadores. Coloque las rejillas de cocción, una al lado de la otra, en el borde de la rejilla dentro de la parrilla principal. Coloque la parrilla de cocción superior en el borde superior dentro de la parrilla principal. La rejilla de cocción se bloqueará en su lugar. Consulte la ilustración 25A.
- Luego, en el lado del barril de pellets, coloque las rejillas de cocción, una al lado de la otra, en el borde de la rejilla dentro de la parrilla principal. Coloque la parrilla de cocción superior en el borde superior dentro de la parrilla principal. La rejilla de cocción se bloqueará en su lugar. Consulte la ilustración 25B.

IMPORTANTE: Para mantener un rendimiento óptimo al dorar y asar de las rejillas de cocción, se requiere un cuidado u un mantenimiento habituales.

- Por último, enrosque la barra de ajuste de humo en el orificio entre las dos cámaras del barril y apriétela. Asegúrese de que se pueda deslizar de adelante hacia atrás sin problemas. Consulte la ilustración 25C.



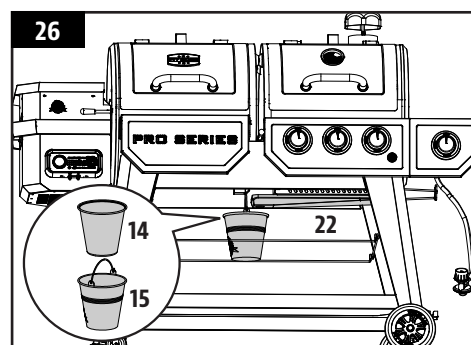
26. COLOCACIÓN DEL CUBO RECOGEGRASA Y LA BANDEJA PARA LA GRASA

Piezas necesarias:

- 1 x Contenedor interno del cubo de grasa (#14)
- 1 x Recogegrasa (#15)
- 1 x Bandeja de grasa (#22)

Instalación:

- Deslice la bandeja para grasa en la parte inferior del barril. Inserte el revestimiento del cubo de grasa en el cubo de grasa, luego coloque el cubo de grasa en el gancho de la boquilla en la parte inferior de la parrilla. Asegúrese de que ambos componentes estén nivelados para evitar derrames de grasa.



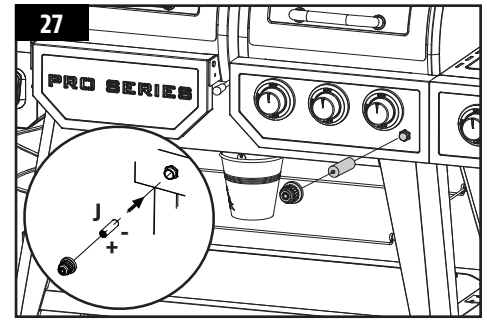
27. INSTALACIÓN DE LA BATERÍA

Piezas necesarias:

- 1 x Pila AA (#J)

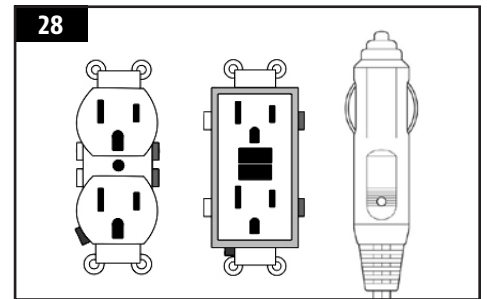
Instalación:

- Desatornille la tapa del sistema de ignición del panel de control. Introduzca la batería en la ranura de la batería con el extremo positivo (+) hacia fuera. Vuelva a atornillar la tapa al panel.
- La unidad está montada por completo.



28. CONEXIÓN A UNA FUENTE DE ALIMENTACIÓN

- TOMA ESTÁNDAR**
Este aparato requiere un suministro de 110-120 V, 60 Hz, 250 W. El enchufe debe ser con conexión a tierra y de 3 clavijas. Asegúrese de que el extremo con puesta a tierra no esté roto antes de usarlo. El control usa un fusible rápido de 110-120 V, para proteger el tablero del sistema de ignición.
- TOMAS GFCI**
Este aparato funciona en casi todas las tomas GFCI, con un suministro recomendado de 15 A. Si su toma GFCI es muy sensible a las subidas de tensión, probable se desconecte durante la fase de arranque de funcionamiento. Durante la fase de arranque, el sistema de ignición consume 200-700 vatios de electricidad, lo que puede ser demasiada carga para una toma GFCI. Cada vez que se desconecta, aumenta su sensibilidad. Si la toma GFCI sigue saltando, sustitúyala o cambie a una toma que no sea GFCI.
- DURANTE EL TRANSPORTE**
Desconecte el sistema de ignición del mazo de cables principal. Use el procedimiento de arranque manual. Una unidad Pit Boss® puede funcionar con un inversor de 12 V y 100 W conectado a una toma de un vehículo. Para usar el sistema de ignición automática se recomienda usar un inversor de 1000 W como mínimo.



IMPORTANTE: desconecte la unidad de la fuente de alimentación cuando no esté en uso.

CONEXIÓN A UNA FUENTE DE GAS

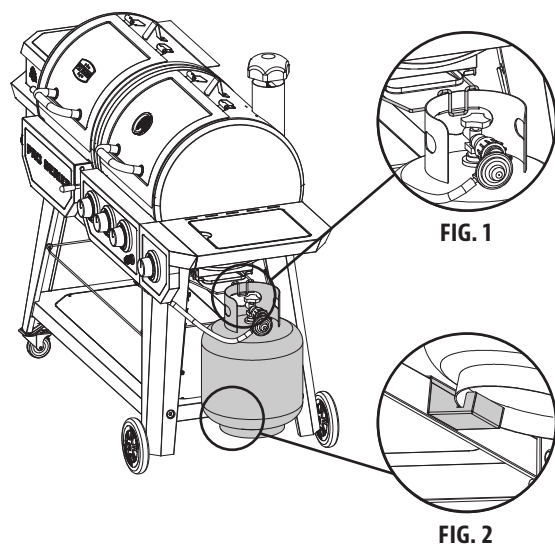
REQUISITOS DE TANQUE DE GAS

La barbacoa está preparada y probada solamente con gas propano líquido. El regulador suministrado está preparado para una columna de agua (CA) de 27,94 cm (11 pulgadas) y solo está previsto para su uso con gas licuado. El regulador y la manguera suministrados de fábrica deben usarse con un tanque de gas licuado de 9 kg (20 lbs) **Póngase en contacto con su proveedor de gas si desea un regulador especial de gas a granel que alimente otros aparatos.**

PRECAUCIÓN: es importante inspeccione la manguera de la línea de gas en toda su longitud. Si la abrasión o el desgaste excesivo son evidentes, o bien la manguera presenta algún corte, esta debe sustituirse antes de usar el aparato.

INSTALACIÓN DE UN TANQUE DE GAS

1. Desde el lateral del carrito, coloque un anillo de base de un tanque de 9 kg (20 lbs) sobre el soporte angular del tanque de gas **Fig. 1**. Asegúrese de que la válvula del tanque esté en posición OFF (apagado). Coloque el asa del tanque en posición Retenedor del tanque de gas licuado y apriete fuerte **Fig. 2**. Asegúrese de que el tanque esté en posición completamente vertical, ya que no es seguro manipular la barbacoa si el tanque de gas no se instala correctamente.
2. Asegúrese de que la válvula del regulador de la barbacoa esté completamente cerrada y para ello gire la perilla hacia la derecha hasta la posición OFF (apagado).
3. Retire las tapas protectoras de la apertura de la válvula del regulador y la parte superior del tanque de gas. Guarde las tapas.
4. Inserte la válvula del tanque de gas en la apertura roscada de la válvula del regulador. Gire el tanque hacia la derecha hasta que esté firme. Apriete solo manualmente.
5. El tanque de gas ya está instalado.



PREPARACIÓN PARA EL USO: COMPROBACIÓN DE FUGAS

Para determinar la integridad del precinto se utiliza una prueba de fugas. Antes de usar la barbacoa a gas, haga una prueba de fugas en la conexión entre el regulador y el tanque de gas para reducir el riesgo de lesiones corporales graves o incluso la muerte por incendio o explosión. La prueba de fugas debe realizarse como mínimo una vez por temporada, así como:

- Antes de encender la barbacoa por primera vez,
- Cada vez que se cambie el tanque de gas,
- Después de viajar, especialmente en vías rugosas o pedregosas,
- Tras un período prolongado de almacenamiento o sin usar.

CÓMO REALIZAR UNA PRUEBA DE FUGAS

Elementos necesarios:

- 1 x cuenco (vacío y limpio)
- 1 x pincel de brocha gorda (limpio)
- Detergente líquido
- Agua

Procedimiento:

1. Position the grill in a well-ventilated area. Ensure the grill is cool to the touch, and not in use. Verify that the regulator value is turned to the OFF position and that the gas cylinder is tightened securely to the regulator.

IMPORTANTE: asegúrese de que no haya llamas ni ahumadores cerca.

2. En un cuenco, mezcle una solución de una parte de agua con una parte de detergente líquido. La solución formará burbujas ya que será concentrada.
3. Utilice un pincel de brocha gorda para aplicar la solución en el precinto entre el regulador y el tanque de gas. Inspeccione visualmente para identificar la formación de burbujas procedentes de algún defecto o rotura del precinto.

NOTA: si aparece alguna fuga, repita el procedimiento de instalación del tanque de gas pero sin apretar demasiado. Apriete solo manualmente. Repita la prueba de fugas tras la reinstalación para asegurarse de que el precinto es seguro.

IMPORTANTE: no utilice la barbacoa a gas si detecta una fuga de gas que no se puede corregir con el procedimientos de prueba de fugas. Póngase en contacto con los bomberos locales o con el servicio de Atención al cliente para buscar medidas alternativas de pruebas y adoptar una medida de precaución adecuada.

DESCONEXIÓN DE TANQUE DE GAS

1. Asegúrese de que la válvula del regulador de la barbacoa esté completamente cerrada y para ello gire la perilla hacia la derecha hasta la posición OFF (apagado).
2. Gire (manualmente) el tanque hacia la izquierda para desconectarlo de la apertura de la válvula del regulador. Coloque las tapas protectoras en la apertura de la válvula del regulador y la parte superior del tanque de gas para su almacenamiento (si no está vacío).

NOTA: si guarda la barbacoa en el interior, deje fuera el tanque de gas.

ADVERTENCIA: no pliegue ni transporte la barbacoa con el tanque de gas conectado. El tanque puede aflojar la válvula y producir una fuga de gas, y posiblemente dé lugar a una explosión, incendio o lesión corporal grave. Desconecte el tanque de gas antes de transportarlo o almacenarlo.

Nunca encienda la barbacoa a gas con la tapa cerrada o antes de hacer una comprobación para asegurarse de que los tubos del quemador estén completamente colocados encima de los orificios de la válvula de gas.

El equipo eléctrico suministrado con el aparato a gas para cocinar en exteriores debe tener lo siguiente en las instrucciones:

- Como protección contra descargas eléctricas, no sumerja el cable ni los enchufes en agua o líquidos;
- Desenchufe de la toma cuando no esté en uso y antes de limpiar. deje enfriar antes de colocar o retirar piezas;
- No haga funcionar ningún aparato a gas para cocinar en exteriores con un cable o enchufe dañado, o si el aparato no funciona bien o ha resultado dañado de alguna manera. Póngase en contacto con el fabricante para la reparación;
- No deje el cable colgando encima del borde de una mesa ni en contacto con superficies calientes;
- No utilice un aparato de gas para cocinar en el exterior para fines que no sean los previstos;
- Al realizar la conexión, conecte primero el enchufe al aparato a gas para cocinar en exteriores y después conecte el aparato a la toma;
- Utilice solamente un circuito protegido por un interruptor accionado por corriente de pérdida a tierra (GFI) con este aparato a gas para cocinar en exteriores;
- Nunca retire el enchufe de conexión a tierra ni utilice un adaptador de 2 clavijas;
- Utilice solamente cables de extensión con un enchufe de 3 clavijas con conexión a tierra, con una potencia nominal del equipo, y aprobados para uso en exteriores con una marca W-A.

La barbacoa de exteriores, una vez instalada, debe tener una conexión eléctrica a tierra de conformidad con los códigos locales o, en

ausencia de estos, con el Código de electricidad nacional ANSI/NFPA 70 o el Código de electricidad canadiense, CSA C22.1.

1. No guarde un tanque de gas licuado de repuesto debajo o cerca de este aparato.
2. Nunca llene el tanque por encima del 80 por ciento de su capacidad.
3. Si no se sigue exactamente la información en 1) y 2), puede producirse un incendio que dé lugar a lesiones graves o incluso la muerte.
4. Coloque una tapa guardapolvo en la salida de la válvula del tanque siempre que este no esté en uso. Instale solamente el tipo de tapa guardapolvo en la salida de la válvula del tanque que se suministre con la válvula del tanque. Otros tipos de tapas o tapones pueden dar lugar a fugas de propano.

INSTRUCCIONES DE FUNCIONAMIENTO DE LOS PÉLETS DE MADERA

Siguiendo el estilo de vida actual, nos esforzamos por comer alimentos saludables y nutritivos, y un factor para tener en cuenta es la importancia de reducir el consumo de grasas. Una de las mejores maneras de reducir el consumo de grasa es usar un método de cocción con poca grasa, como asar. Dado que una barbacoa de pélets usa pélets de madera natural, la carne coge un sabor salado amaderado y así se reduce la necesidad de añadir condimentos con alto contenido de azúcar. En este manual, observará que se hace hincapié en asar los alimentos lentamente con los ajustes de temperatura BAJA o MEDIA.

ENTORNO DE LA BARBACOA

1. DÓNDE INSTALAR LA BARBACOA

Como en todos los aparatos de uso exterior, las condiciones meteorológicas juegan un papel importante en el funcionamiento de la barbacoa y el tiempo de cocción necesario para que las comidas salgan perfectas.

Todas las unidades Pit Boss® deben guardar una distancia mínima de 914 mm (36 pulgadas) con los recipientes de combustible y esta distancia debe mantenerse mientras la barbacoa esté en uso. Este aparato no debe colocarse debajo de un techo o voladizo combustible. Mantenga la barbacoa en un área sin materiales combustibles, gasolina y otros vapores y líquidos inflamables.

2. COCINAR CUANDO HACE FRÍO

Aunque fuera haga cada vez más frío, ¡esto no supone el fin de la temporada de barbacoas! El aire frío y el aroma delicioso de los alimentos ahumados ayudan a curar la melancolía invernal.

Siga estas sugerencias para disfrutar de su barbacoa incluso en los meses más fríos:

- si no consigue ahumar a bajas temperaturas, aumente un poco la temperatura para conseguir los mismos resultados.
- Organizar: tenga preparado todo lo necesario en la cocina antes de salir a cocinar fuera. Durante el invierno, traslade la barbacoa a una zona alejada del viento y del frío directo. Compruebe los reglamentos locales sobre la proximidad que debe existir entre la barbacoa y su vivienda u otras estructuras. Coloque todo lo necesario en una bandeja, abriguese y ¡a cocinar!
- Para saber la temperatura que hace fuera, coloque un termómetro para exteriores cerca del área de cocina. Lleve un registro de lo que cocina, la temperatura exterior y el tiempo de cocción. Le servirá de ayuda la próxima vez que tenga que decidir qué cocinar y cuánto tardará.
- A muy bajas temperaturas, incremente en 20 minutos, como mínimo, el tiempo de precalentamiento.
- Evite levantar la tapa más de lo necesario. Las ráfagas de aire frío pueden enfriar por completo la temperatura de la barbacoa. Sea flexible con la hora de servir la comida; añada tiempo de cocción cada vez que abra la tapa.
- Caliente una fuente o tapa para mantener la temperatura de la comida hasta que vuelva al interior de la casa.
- Los alimentos perfectos para cocinar en invierno son aquellos que apenas requieren atención, como asados, pollos enteros, costillas y pavo. Facilite aún más la preparación de sus platos añadiendo guarniciones sencillas como verduras y patatas.

3. COCINAR CUANDO HACE CALOR

Cuando empieza a hacer calor, se acorta el tiempo de cocción.

Siga estas pocas sugerencias para disfrutar de su barbacoa incluso en los meses más calurosos:

- Reduzca las temperaturas de cocción. Le ayudará a evitar llamaradas imprevistas.
- Use un termómetro para carnes para conocer la temperatura interna de los alimentos. Le ayudará a prevenir que la carne se cocine demasiado y se seque.
- Incluso cuando hace calor, es mejor cocinar con la tapa de la barbacoa cerrada.
- Para mantener calientes los alimentos, envuélvalos en papel de aluminio y colóquelos en una nevera tipo camping aislada. Rellene los huecos alrededor del papel aluminio con papel de periódico y la comida se mantendrá caliente de 3 a 4 horas.

RANGOS DE TEMPERATURA DE LA BARBACOA

La temperatura que se lee en el tablero de control puede no coincidir exactamente con el termómetro. Todas las temperaturas que figuran a continuación son aproximadas y les afectan los factores siguientes: temperatura ambiente exterior, cantidad y dirección del viento, calidad del combustible de pélets utilizado, que se abra o no la tapa y cantidad de alimentos que se cocinan.

- **TEMPERATURA ALTA (205-260°C / 401-500°F)**

Este rango es el mejor para dorar y asar a fuego fuerte. Úselo conjuntamente con el asador de fuego (placa deslizante) para cocinar con llama indirecta o directa. Con el **asador de fuego abierto**, la llama directa se usa para crear esos chuletones "azules", así como verduras asadas, tostadas de ajo o el postre americano "s'more"! Cuando el **asador de fuego está cerrado**, el aire circula dentro del tambor y genera calor por convección. La temperatura alta también se usa para precalentar la barbacoa, quemar las rejillas para cocinar y conseguir fuego alto en condiciones de frío extremo.

- **TEMPERATURA MEDIA (135-180 °C / 275-356 °F)**

Este rango es el mejor para hornear, asar y poner el punto final a ese plato ahumado a fuego lento. Cocinar a estas temperaturas reducirá mucho la probabilidad de que la grasa genere llamaradas. Asegúrese de que la guía del asador de fuego esté en posición cerrada, cubriendo las aperturas ranuradas. Un rango perfecto para cocinar alimentos envueltos en béicon o cuando se busca versatilidad con control.

- **TEMPERATURA BAJA (82-125 °C / 180-257 °F)**

Este rango se usa para asar a fuego lento, potenciar el sabor ahumado y mantener la comida caliente. Potencie el sabor ahumado y haga que la carne resulte más jugosa prolongando el tiempo de cocción a más baja temperatura (también se conoce como **cocción a fuego lento**). Se recomienda para el gran pavo del Día de Acción de Gracias, el jugoso jamón de Pascua o las celebraciones navideñas.

El ahumado es una variación de la auténtica barbacoa y es la principal ventaja de cocinar en una barbacoa de pélets de madera. **El ahumado en caliente**, otro nombre para la cocción **a fuego lento**, por lo general se realiza a temperaturas de 82-125°C/180-257°F. El ahumado en caliente funciona mejor cuando se requiere una cocción más prolongada, como para grandes trozos de carne, pescado o aves.

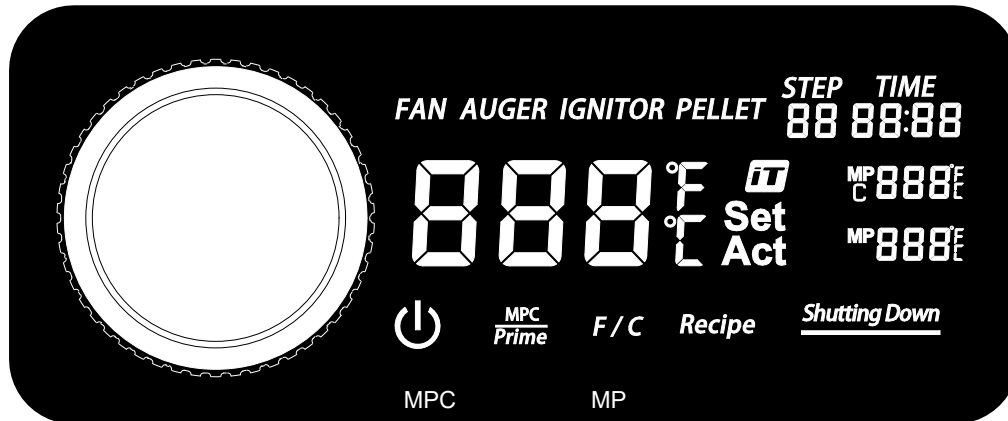
CONSEJO: para potenciar ese sabor salado, cambie al rango de (bajas) temperaturas para AHUMAR inmediatamente después de colocar los alimentos en la barbacoa. Así el humo podrá penetrar la carne.

La clave está en experimentar con el tiempo de ahumado, antes de que los alimentos esté cocinados. Algunos chefs especializados en cocinar al aire libre prefieren ahumar al final de una cocción y así la comida se mantiene caliente hasta el momento de servirla. ¡La práctica hace al maestro!


DESCRIPCIÓN DEL TABLERO DE CONTROL

Este tablero de control PID (proporcional-integrado-derivado) digital es prácticamente igual que los controles del horno de su cocina. Las principales ventajas son la capacidad de compensar automáticamente las diferentes condiciones ambientales y tipos de combustible.

IMPORTANTE: La temperatura del interior de cualquier parrilla varía mucho de una ubicación a otra. Incluso los instrumentos calibrados juntos pueden no concordar entre sí.



MANDO	DESCRIPCIÓN
	Pulse este botón una vez para encender la unidad. Se iniciará el ciclo automático de encendido. Mantenga pulsado este botón durante tres segundos para apagar la unidad, activando el ciclo de enfriado automático. El botón parpadeará en blanco cuando esté conectado a una fuente de alimentación y quedará encendido fijo cuando la unidad esté encendida.
	El icono de Smoke iT® indica que hay una conexión wifi disponible. Cuando busque una conexión wifi o a través de Bluetooth®, el icono de Smoke iT® parpadeará. Una vez que la conexión wifi se haya establecido, el icono de Smoke iT® se quedará encendido. Cuando esté conectado, podrá obtener información en tiempo real sobre la temperatura fijada y la real de la parrilla, el tiempo de cocción y las temperaturas de la sonda de carne. También le permite configurar los ajustes del tablero de control.
F / C	Presione rápidamente este botón para activar el cambio de unidades de temperatura y poder cambiar así la lectura de temperatura. Cambie entre grados Celsius (V) y Fahrenheit (°F), según su preferencia. El ajuste predeterminado es Fahrenheit.
MPC Prime	Este botón cuenta con dos funciones: Control de la sonda de carne (MPC) y botón de Cebado. <ol style="list-style-type: none"> Si se pulsa rápidamente este botón, se activa la sonda de carne programable, es decir, a través del primer puerto de conexión de la sonda de carne (MPC). Utilice el botón regulador para ajustar la temperatura de la sonda de carne programable. Pulse el botón regulador de nuevo para confirmar y salir de los ajustes de la sonda de carne programable. Mantenga pulsado este botón durante tres segundos para activar la carga continua manual de pélets en la cámara de ignición. La carga manual de pélets se detendrá al soltar el botón. Se puede usar para añadir más combustible al fuego antes de abrir la tapa del tambor y lograr así una rápida recuperación del calor. También se puede usar durante el ahumado para potenciar el sabor a ahumado limpio. Esta función es muy solicitada por los cocineros que participan en competiciones.
	El botón regulador se utiliza para aumentar, disminuir o seleccionar un valor de configuración. Gire el botón regulador para seleccionar el tiempo, la temperatura o el paso de un menú de ajustes activo. Presione el botón regulador para confirmar el valor elegido.

	<p>La lectura central muestra la temperatura real y la fijada. La temperatura real se muestra constantemente a no ser que se esté ajustando la temperatura. La temperatura real es la temperatura del interior del tambor principal. La lectura de temperatura real se toma mediante la sonda (sensor) desde el interior del tambor de la parrilla.</p> <p>Para mostrar la temperatura fijada, presione el botón regulador. La temperatura fijada está activada cuando la lectura parpadea. Para ajustar la temperatura fijada, gire el botón regulador, según sea necesario. Una vez que se alcance la temperatura deseada, presione el botón regulador para confirmar la temperatura fijada. La lectura volverá a mostrar la temperatura real.</p>
<p>Recipe</p>	<p>Pulse el botón una vez para activar los pasos de receta. Hay disponibles nueve pasos de receta para elegir. Seleccione el ajuste de cada paso de receta con el botón regulador.</p>
<p>STEP 88</p>	<p>Muestra el paso de receta actual.</p>
<p>TIME 88:88</p>	<p>Muestra el tiempo establecido durante el paso de receta. Pulse el botón Receta para activar los ajustes de receta. Use el botón regulador para ir cambiando de un paso de receta a otro, donde el uno es el tiempo.</p>
<p>MP C 888°F</p>	<p>Muestra la temperatura Real y Establecida de la sonda de carne programable, es decir, a través del primer puerto de conexión de la sonda de carne (MPC). La temperatura real se muestra constantemente a no ser que se esté ajustando la temperatura. Cuando se presiona el botón MPC, la lectura de la sonda de carne seleccionada parpadeará y se podrá ajustar la temperatura establecida. Cuando no vaya a utilizarla, desconecte la sonda de carne del puerto de conexión. Tras esto, aparecerá el código "noP". Compatible solamente con sondas de carne de la marca Pit Boss® Grills.</p>
<p>MP 888°F</p>	<p>Muestra la temperatura real de la sonda de carne. Esta lectura de la sonda de carne es la registrada a través del puerto de conexión (MP). Cuando no vaya a utilizarla, desconecte la sonda de carne del puerto de conexión. Tras esto, aparecerá el código "noP". Compatible solamente con sondas de carne de la marca Pit Boss® Grills.</p>
<p>Shutting Down</p>	<p>Esta lectura aparece después de que se haya ejecutado el apagado. Indica que el ciclo de enfriado automático ha comenzado. Tras acabar el ciclo de enfriado, la lectura deja de aparecer.</p>
<p>FAN</p>	<p>El icono del VENTILADOR está visible cuando el ventilador está funcionando. Cuando la lectura central muestra un código de error (Err) y el icono del VENTILADOR parpadea, significará que el ventilador no está funcionando. Consulte la sección sobre resolución de problemas para obtener ayuda.</p>
<p>AUGER</p>	<p>El icono del ALIMENTADOR DE ESPIRAL está visible cuando el alimentador está girando. Cuando la lectura central muestra un código de error (Err) y el icono del ALIMENTADOR DE ESPIRAL parpadea, significará que el alimentador no está funcionando. Consulte la sección sobre resolución de problemas para obtener ayuda.</p>
<p>IGNITOR</p>	<p>El icono del ENCENDEDOR está visible cuando el encendedor está funcionando. Cuando la lectura central muestra un código de error (Err) y el icono del ENCENDEDOR parpadea, significará que el encendedor no está funcionando. Consulte la sección sobre resolución de problemas para obtener ayuda.</p>
<p>PELLET</p>	<p>Cuando la lectura central muestra un código de error (Err) y el icono del PÉLET es visible, significará que el fuego de la cámara de ignición se ha apagado o que es posible que la tolva esté vacía. Consulte la sección sobre resolución de problemas para obtener ayuda.</p>

FUNCIONES DEL TABLERO DE CONTROL

• ESTABLECER LA TEMPERATURA DE LA PARRILLA

La sonda de la parrilla mide la temperatura interna del tambor principal. Cuando se haya ajustado la temperatura, la sonda de la parrilla leerá la temperatura real en el interior del tambor principal y se ajustará a la temperatura deseada.

IMPORTANTE: La temperatura de la unidad depende en gran medida del clima exterior, la calidad de los pélets usados, el sabor de los pélets y la cantidad de alimentos que se estén cocinando

ESTABLECER/AJUSTAR LA TEMPERATURA

Para ajustar la temperatura deseada de la parrilla, siga estos pasos:

1. Presione una flecha de ajuste cualquiera. Esto hará que parpadee la lectura de la temperatura establecida, para indicar que está activada.
2. Use las flechas de ajuste otra vez para ajustar la temperatura hasta alcanzar la deseada.
3. Una vez que se alcance la temperatura deseada, espere tres segundos (para confirmar la temperatura establecida) y la lectura volverá a mostrar la temperatura real.

• USO DE LA SONDA DE CARNE PROGRAMABLE

La sonda de carne mide la temperatura interna de la carne en la parrilla, de una forma parecida a un horno. Introduzca la sonda de carne de acero inoxidable en la parte más gruesa de la carne. La temperatura interna de la carne se indica en la lectura del tablero de control. Conecte el adaptador de la sonda de carne al puerto de conexión de la sonda de carne y asegúrese de que esté bien enchufado. Notará y escuchará cómo encaja. No solo cocinará la carne a la temperatura que desee, sino que también reducirá la temperatura de la barbacoa a baja temperatura (82 °C/180 °F) para mantener la comida caliente hasta el momento de servirla. Solo tiene que ajustarla y despreocuparse mientras la sonda de carne hace el resto.

NOTA: Cuando introduzca la sonda en la carne, asegúrese de que los cables y la sonda de carne no estén en contacto directo con el fuego o un calor excesivo. Esto podría dañar la sonda de carne. Tire del cable sobrante hacia fuera por los orificios de extracción traseros del tambor principal, de la parte superior del tambor principal (junto a la bisagra de la tapa de la barbacoa) o a través del orificio frontal próximo a la tolva. Cuando no la use, desconéctela del puerto de conexión de la sonda de carne y colóquela en los orificios del asa de la tolva para mantenerla protegida y limpia.

ESTABLECER/AJUSTAR LA TEMPERATURA DE UNA SONDA DE CARNE

Para programar la temperatura establecida deseada de una sonda de carne programable, siga estos pasos:

1. Pulse rápidamente el botón MPC para activar la sonda de carne programable. La lectura de la temperatura de la sonda de carne parpadeará cuando esté activada..
2. Use el botón regulador para ajustar la temperatura establecida deseada.
3. Una vez se alcance la temperatura establecida de la sonda de carne que esté utilizando, presione de nuevo el botón regulador para confirmar y salir de los ajustes de la sonda de carne programable.

• PROGRAMAR UNA RECETA

La función de receta permite al usuario programar instrucciones de preparación, conocidas como etapas de la receta, para que las siga el tablero de control y se ejecuten automáticamente. Estas instrucciones de cocción son una combinación entre la temperatura de cocción y el tiempo. Partiendo de la primera etapa de la receta (01), el tablero de control completará el ciclo de cada etapa para preparar la comida. Cuando se completen todas las etapas de la receta, el tablero de control cambiará automáticamente a una temperatura de 82 °C/180 °F para mantener la comida caliente hasta el momento de servirla. Pueden programarse hasta un total de nueve etapas.

CÓMO PROGRAMAR UNA ETAPA DE UNA RECETA

Para configurar una o varias etapas de una receta, siga estos pasos:

1. Pulse y mantenga pulsado el botón Receta. El botón Receta empezará a parpadear para indicar que los ajustes de la receta se han activado. Esto también activará las etapas de la receta y se encenderá la letra 'S' para indicar que se ha activado.
 - Utilice las flechas de ajuste para seleccionar la etapa de la receta. Empezee por la primera etapa de la receta (01).
 - Cuando llegue a la etapa de la receta deseada, pulse el botón Receta para pasar al siguiente ajuste.
 2. Ajuste las horas. Las horas de la lectura de tiempo parpadearán, para mostrar que se han seleccionado.
 - Utilice el botón regulador para seleccionar las horas que desee.
 - Cuando elija las horas deseadas, pulse el botón regulador para pasar al siguiente ajuste.
 3. Ajuste los minutos. Los minutos de la lectura de tiempo parpadearán, para mostrar que se han seleccionado.
 - Utilice el botón regulador para seleccionar los minutos que desee.
 - Cuando elija los minutos deseados, pulse el botón regulador para pasar al siguiente ajuste.
 4. Ajuste la temperatura. La lectura central de temperatura parpadeará para indicar que se ha seleccionado..
 - Utilice el botón regulador para seleccionar la temperatura que desee.
 - Tras elegir la temperatura deseada, pulse y mantenga pulsado el botón Receta para fijar todos los ajustes de la receta para ese paso.
 - Para establecer otra etapa de la receta, pulse rápidamente el botón Receta para seleccionar otra etapa, de este modo, programará una comida con una receta de varias etapas. Repita lo pasos anteriores tantas veces como lo desee.
- O bien,
- presione y mantenga presionado el botón Receta una segunda vez para salir de los ajustes y comenzar a elaborar la receta. El botón Receta dejará de parpadear.

NOTA: Las etapas de la receta se restablecerán cuando se apague o desconecte la unidad.

CONEXIÓN A LA APLICACIÓN SMOKE IT®

Siga estas instrucciones sobre cómo conectar su parrilla a la aplicación Smoke iT® con su dispositivo Android™ o iOS®. La aplicación le permitirá controlar y monitorear las temperaturas de su parrilla y sonda de carne desde su dispositivo móvil. ¡Disfrute de los beneficios que ofrece la conectividad móvil Smoke IT®!

1. Descarga la aplicación Smoke iT®. Abra la aplicación y permita que Bluetooth® esté habilitado para la configuración. Los nuevos usuarios deberán crear una cuenta y seguir las instrucciones para iniciar sesión.
2. Si se encuentra dentro del alcance de Bluetooth® (9 m / 30 pies), la aplicación Smoke iT® detectará automáticamente su parrilla. Seleccione su modelo de parrilla. Si no ve su parrilla en la pantalla, asegúrese de que su unidad esté conectada a una fuente de alimentación y encendida.
3. Nombre su modelo de parrilla (es decir, My Smoker) en la aplicación y seleccione "Conectar" en la parte inferior de la pantalla. Esto guardará su modelo de parrilla en el menú de dispositivos.
4. En el menú de dispositivos, haga clic en el modelo de parrilla para conectar. Esto le mostrará la pantalla del tablero de control.
5. Haga clic en la opción de configuración (engranaje) en la esquina superior derecha, ingrese sus credenciales de Wi-Fi, luego haga clic en la marca de verificación en la parte inferior de la pantalla para conectarse. Ahora los íconos de Bluetooth® y Wi-Fi (nube) aparecerán en el menú de dispositivos, mostrando que la parrilla está conectada.

Mientras usa la aplicación, la pantalla brillará cuando la parrilla esté activa y conectada. Si la pantalla de la aplicación o la parrilla se oscurecen en el menú de dispositivos, verifique su conexión inalámbrica o fuente de alimentación.

PROCEDIMIENTO DE CEBADO DE LA TOLVA

Debe seguir estas instrucciones la primera vez que se encienda la barbacoa y cada vez que la tolva se quede sin pélets. El alimentador de espiral debe cebarse para que los pélets lo atraviesen y llenen la chimenea. **Si no se ceba, el sistema de ignición agotará su tiempo de espera antes de que los pélets se encienda y no prenderán fuego.** Siga estos pasos para cebar la tolva:

1. Abra la tapa del tambor principal. Extraiga todos los componentes de cocina del interior de la barbacoa. Localice la chimenea en la parte inferior del tambor principal. Compruebe la chimenea para asegurarse de que nada pueda obstruir un encendido correcto.
2. Conecte el cable de alimentación a una toma de corriente. Pulse el botón de encendido para encender la unidad. Realice las comprobaciones siguientes:
 - Que puede oír girar el alimentador de espiral. Coloque la mano por encima de la chimenea y compruebe si percibe el movimiento de aire. No coloque la mano ni los dedos dentro de la chimenea. Puede lesionarse.
 - Después de alrededor de un minuto, el sistema de ignición debería oler a fuego y comenzar a calentarse el aire en la chimenea. La punta del sistema de ignición no brilla de color rojo, pero se calienta mucho y quema. No toque el sistema de ignición.
3. Una vez que haya comprobado que todos los componentes eléctricos están funcionando correctamente, pulse el botón de Encendido para apagar la unidad.
4. Abra la tapa de la tolva. Asegúrese de que no haya objetos extraños en la tolva ni en el alimentador de espiral. Llene la tolva con gránulos secos de madera noble natural para barbacoas.
5. Pulse el botón de Encendido para encender la unidad. Mantenga el Dial de control de temperatura en la posición AHUMAR. Pulse y mantenga pulsado el botón de Cebado hasta que vea pélets en el interior de la barbacoa desde el tubo del alimentador de espiral. Una vez que los pélets empiecen a caer en la chimenea, suelte el botón de Cebado.
6. Pulse el botón de Encendido para apagar la unidad.
7. Reinstale los componentes de cocina en el tambor principal. La barbacoa ya está lista para usar.

PRIMER USO: QUEMAR LA PARRILLA

Una vez que haya cebado la tolva y antes de cocinar en la barbacoa por primera vez, es importante quemar la parrilla. Encienda la barbacoa para que funcione a cualquier temperatura superior a 176 °C/350 °F (con la tapa bajada) de 30 a 40 minutos para quemar la parrilla y eliminar cualquier material extraño.

PROCEDIMIENTO DE ARRANQUE AUTOMÁTICO

1. Conecte el cable de alimentación a una toma de corriente con conexión a tierra. Abra la tapa del tambor principal. Compruebe la chimenea para asegurarse de que nada pueda obstruir un encendido correcto. Abra la tapa de la tolva. Asegúrese de que no haya objetos extraños en la tolva ni en el alimentador de espiral. Llene la tolva con gránulos secos de madera noble natural para barbacoas.
2. Pulse el botón de Encendido para encender la unidad. Se activará el ciclo de arranque. El alimentador de espiral comenzará a girar, el sistema de ignición comenzará a brillar y el ventilador enviará aire a la chimenea. La barbacoa empezará a generar humo durante el ciclo de arranque. La tapa del tambor debe permanecer abierta durante el ciclo de arranque. Para confirmar que el ciclo de arranque ha comenzado correctamente, debería oírse un ruido similar al de una antorcha y observarse la presencia de calor.
3. Una vez que se haya disipado el humo denso y blanco, habrá finalizado el ciclo de arranque y podrá disfrutar de su barbacoa a la temperatura deseada.

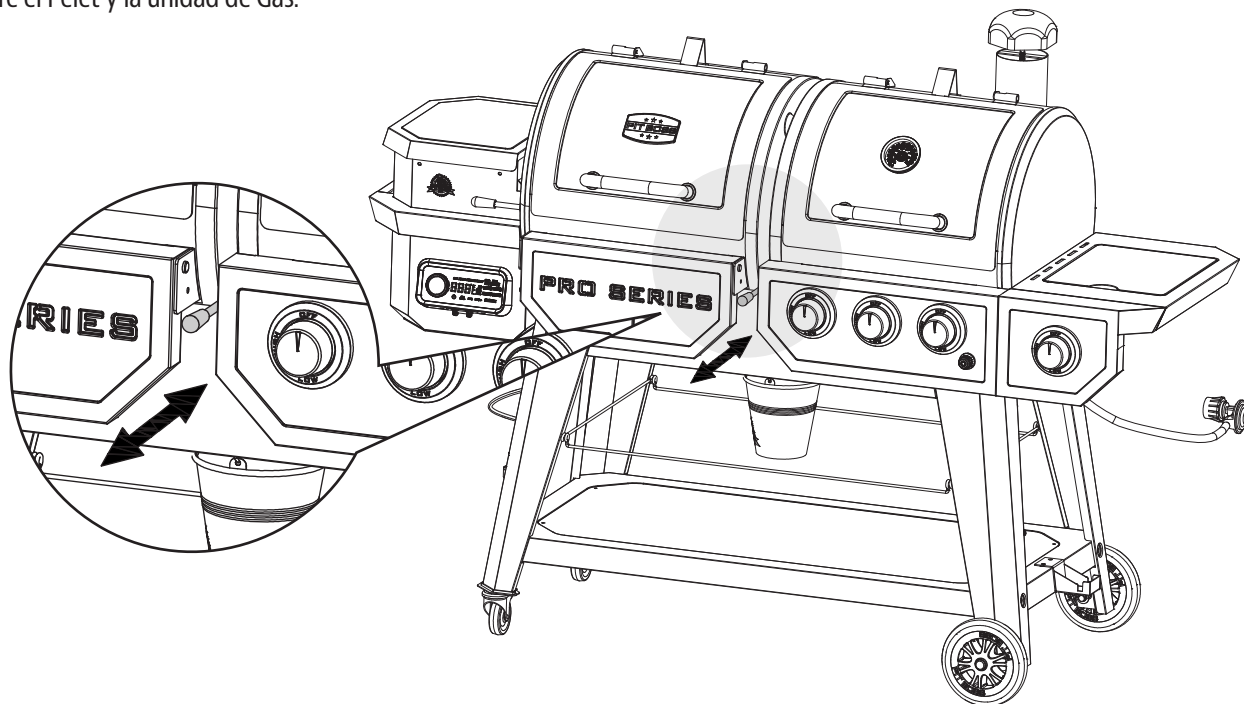
APAGAR LA BARBACOA

1. Cuando termine de cocinar, con la tapa del barril principal cerrada, presione y mantenga presionado el botón de encendido durante tres segundos para apagar la unidad. La parrilla comenzará su ciclo de enfriamiento automático. El sistema de barrena dejará de suministrar combustible, la llama se apagará y el ventilador seguirá funcionando hasta que se complete el ciclo de enfriamiento.

INSTRUCCIONES DE FUNCIONAMIENTO DEL AHUMADO

USO DE LA BARRA DE AJUSTE DE HUMO

Para controlar la cantidad de humo, así como la temperatura de cocción general, TIRE para abrir la Barra de ajuste de humo, situada entre el Pélet y la unidad de Gas.



INSTRUCCIONES DE FUNCIONAMIENTO DEL GAS PROPANO

ENTORNO DE LA BARBACOA

1. *DÓNDE INSTALAR LA BARBACOA*

Como en todos los aparatos de uso exterior, las condiciones meteorológicas juegan un papel importante en el funcionamiento de la barbacoa y el tiempo de cocción necesario para que las comidas salgan perfectas. Todas las unidades de barbacoa Pit Boss® deben guardar una distancia mínima de 914 mm (36 pulgadas) con los recipientes de combustible y esta distancia debe mantenerse mientras la barbacoa esté en uso. Este aparato no debe colocarse debajo de un techo o voladizo combustible. Mantenga la barbacoa en un área sin materiales combustibles ni otros vapores y líquidos inflamables.

2. *COCINAR CUANDO HACE FRÍO*

Aunque fuera haga cada vez más frío, ¡esto no supone el fin de la temporada de barbacoas! El aire frío y el aroma delicioso de los alimentos a la parrilla ayudan a curar la melancolía invernal. Siga estas sugerencias para disfrutar de su barbacoa incluso en los meses más fríos:

- Organizar: tenga preparado todo lo necesario en la cocina antes de salir a cocinar fuera. Durante el invierno, traslade la barbacoa a una zona alejada del viento y del frío directo. Compruebe los reglamentos locales sobre la proximidad que debe existir entre la barbacoa y su vivienda u otras estructuras. Coloque todo lo necesario en una bandeja, abríguese y ¡a cocinar!
- Para saber la temperatura que hace fuera, coloque un termómetro para exteriores cerca del área de cocina. Lleve un registro de lo que cocina, la temperatura exterior y el tiempo de cocción. Le servirá de ayuda la próxima vez que tenga que decidir qué cocinar y cuánto tardará.
- Caliente una fuente o tapa para mantener la temperatura de la comida hasta que vuelva al interior de la casa.

3. *COCINAR CUANDO HACE CALOR*

Cuando empieza a hacer calor, se acorta el tiempo de cocción. Siga estas pocas sugerencias para disfrutar de su barbacoa incluso en los meses más calurosos:

- Reduzca las temperaturas de cocción. Le ayudará a evitar llamaradas imprevistas.
- Use un termómetro para carnes para conocer la temperatura interna de los alimentos. Le ayudará a prevenir que la carne se cocine demasiado y se seque.
- Para mantener calientes los alimentos, envuélvalos en papel de aluminio y colóquelos en una nevera tipo camping aislada. Rellene los huecos alrededor del papel aluminio con papel de periódico y la comida se mantendrá caliente de 3 a 4 horas.

PRIMER USO: QUEMAR LA PARRILLA

Antes de usar la barbacoa por primera vez con alimentos, es importante quemar la parrilla. Encienda la barbacoa para que funcione a una temperatura fija mínima de 177 °C/350 °F durante 30 minutos para quemar la unidad y eliminar cualquier material extraño.

PROCEDIMIENTO DE ARRANQUE AUTOMÁTICO

1. Compruebe si la perilla del regulador está en posición OFF (apagado).
2. Observe la marca del indicador triangular en la carcasa del regulador de color plateado. Empuje la perilla del regulador y gírela 270 grados (o 3/4) hacia la izquierda a la posición HIGH (alto).
3. Empuje varias veces el botón de ignición hasta que se encienda la llama. Preste atención a un sonido de "clic" indicador de una chispa del sistema de ignición y observe si hay llama para asegurarse de que el quemador está prendido.
4. Una vez que el quemador se haya prendido, todo está listo para que disfrute de la barbacoa a la temperatura deseada.

Si el quemador se extingue mientras está funcionando, gire la perilla del regulador a la posición OFF (apagado). Abra la tapa de la barbacoa y espere cinco minutos antes de volver a encender, para que se disipen los gases acumulados.

PROCEDIMIENTO EN CASO DE FALLO DEL SISTEMA DE IGNICIÓN

Si, por algún motivo, el sistema de ignición eléctrica falla después de tres o cuatro intentos, compruebe los pasos siguientes o arranque la barbacoa con el método manual.

1. Asegúrese de que la perilla del regulador esté en posición OFF (apagado). Espere a que se disipen los gases acumulados.
2. Una vez transcurridos cinco minutos, compruebe lo siguiente:
 - Para confirmar visualmente si el sistema de ignición funciona, empuje el botón de ignición y busque una chispa en la punta del sistema de ignición. Si no hay chispa, ajuste la distancia entre la punta (electrodo) del sistema de ignición y el quemador en 4,5 mm (3/16 in.).
 - Confirme visualmente que no haya obstrucciones en el tubo del quemador y las portillas. Si hay bloqueos, siga las instrucciones de **Cuidado y mantenimiento**.
3. Si los elementos anteriores no funcionan, siga las instrucciones para la **Resolución de problemas**.

PROCEDIMIENTO DE ARRANQUE MANUAL

1. Compruebe si la perilla del regulador está en posición OFF (apagado). Abra la tapa de la barbacoa para que salga cualquier gas acumulado.
2. Observe la marca del indicador triangular en la carcasa del regulador de color plateado. Empuje la perilla del regulador y gírela 270 grados (o 3/4) hacia la izquierda a la posición HIGH (alto).
3. Con cuidado y rapidez, y un fósforo o mechero largo, acerque una llama al quemador y espere a que este se prenda. No intente encender otra zona del quemador. Puede lesionarse.

NOTA: no use alcohol, líquido inflamable o queroseno para encender o reavivar un fuego en la barbacoa.

4. Continúe el arranque con los pasos cuatro y cinco del **Procedimiento de arranque automático**.

PRIMER USO: FUNCIONAMIENTO DE LOS QUEMADORES

1. Asegúrese de que todas las etiquetas, embalajes y películas protectoras se hayan retirado de la barbacoa.
2. Elimine los aceites de fabricación antes de cocinar en la barbacoa por primera vez; para ello haga funcionar la barbacoa durante al menos 15 minutos con el ajuste HIGH (alto) y la tapa bajada. Esta operación "limpiará en caliente" las partes internas y eliminará olores.

ENCENDIDO

PRECAUCIÓN: mantenga el área del aparato de cocina a gas para exteriores libre de materiales combustibles, gasolina y otros vapores y líquidos inflamables. NO obstruya la circulación del aire de combustión y ventilación. Compruebe si hay insectos y nidos de insectos en el quemador/los tubos venturi y límpielos si es preciso. Un tubo obstruido puede producir incendios. Intentar encender el quemador con la tapa cerrada puede producir una explosión.

1. Abra la tapa. Compruebe si hay obstrucciones en la circulación de aire a los quemadores. Arañas, insectos y telarañas pueden obstruir el quemador/tubo venturi. Un tubo del quemador obstruido puede producir incendios.
2. Todas las perillas de control deben estar en posición OFF (apagado). Conecte el tanque de gas licuado de acuerdo con la sección "Instalación del tanque de gas licuado". Gire la válvula del tanque de gas licuado a la posición OPEN (abierto).
3. Empuje y gire cualquier perilla de control a la posición HIGH (alto). El quemador se prenderá. Si no lo hace, repita hasta tres veces. Si la ignición no se produce en 5 segundos, gire la perilla de control del quemador a la posición OFF (apagado), espere 5 minutos y repita el procedimiento de encendido.
4. Si el sistema de ignición no prende el quemador, utilice un fósforo encendido sujeto con la varilla de encendido (suministrada con la barbacoa) para encender los quemadores. Acceda a los quemadores a través de las rejillas para cocinar y las placas de calor. Coloque un fósforo encendido junto al lateral del quemador. (Fig. 3).

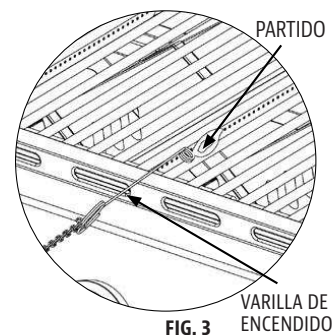


FIG. 3
VARILLA DE ENCENDIDO

Importante: utilice siempre la varilla de encendido (incluida) cuando encienda los quemadores con un fósforo.

5. Tras el encendido, observe si hay llama en el quemador. Asegúrese de que todos los puertos del quemador estén prendidos y que la altura de la llama coincida con la imagen (Fig. 4).

NOTA: cada quemador se enciende de forma independiente; repita los pasos 5-9 para los demás quemadores.

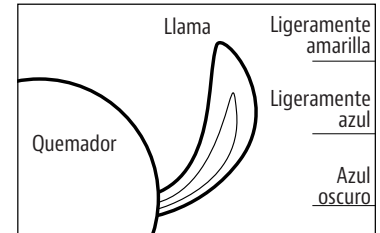


FIG. 4

PRECAUCIÓN: si la llama del quemador se extingue mientras está funcionando, gire de inmediato las perillas de control a la posición OFF (apagado), la válvula del tanque de gas licuado a la posición CLOSED (cerrada) y abra la tapa para que salga el gas durante 5 minutos antes de volver a encender.

APAGAR LA BARBACOA

1. LP: gire la válvula del tanque de gas licuado a la posición CLOSED (cerrada).
2. Gire todas la perillas de control hacia la derecha a la posición OFF (apagado).
NOTA: es normal oír un sonido "puf" cuando se queman los restos del gas licuado.
3. Desconecte el tanque de gas licuado de acuerdo con la sección Desconectar el tanque de gas licuado.

ADVERTENCIA: deje enfriar la barbacoa por completo y retire el tanque de gas antes de mover la unidad, de viajar con ella o de guardarla.

CONTROL DE LLAMARADAS

Las llamaradas forman parte de la cocción de carnes a la parrilla y les aportan ese sabor tan característico. Un exceso de llamaradas puede cocinar demasiado los alimentos y resultar peligroso. Importante: Si la grasa prende fuego, cierre la tapa y apague el botón del encendedor hasta que se extinga el fuego. Tenga cuidado al abrir la tapa ya que puede producirse una llamarada repentina. Si se produce una llamarada excesiva, no intente apagarla con agua.

PRECAUCIÓN: no es posible apagar los fuegos de grasa solo con cerrar la tapa. El exceso de llamaradas se produce por una acumulación de grasa en la base de la parrilla.

1. Si se produce un fuego de grasa, gire todas la perillas de control a la posición OFF (apagado) y la válvula del tanque de gas licuado a CLOSED (cerrada). NO arroje agua a un fuego de grasa. Esto puede dar lugar a salpicaduras de grasa que, a su vez, pueden producir quemaduras, lesiones corporales y otros daños graves.
2. NO descuide la barbacoa durante el precalentamiento o mientras se queman restos de alimentos a temperatura alta (HIGH). Si no se limpia la parrilla, la grasa puede prender fuego.

ADVERTENCIA: mientras cocina, debe tener a mano materiales de extinción de incendios. En el caso de producirse un fuego de aceite o grasa, utilice un extinguidor de incendio químico seco tipo BC o sofóquelo con tierra, arena o bicarbonato sódico. NO intente apagar el fuego con agua.

MINIMIZACIÓN DE LLAMARADAS

- Elimine el exceso de grasa de las carnes antes de cocinarlas.
- Cocine las carnes con alto contenido de grasa a baja (LOW) temperatura o de forma indirecta.
- Asegúrese de que la barbacoa esté sobre una superficie dura, plana, no combustible y que permita que la grasa escurra al recogerse.

CUIDADO Y MANTENIMIENTO

Todas las unidades Pit Boss® le proporcionarán muchos años de servicio y sabor con una limpieza mínima. Siga estos consejos de limpieza y servicio para mantener la barbacoa:

COMPROBACIÓN DEL NIVEL DE GAS

Para verificar la cantidad de combustible en el cilindro de gas LP, la parrilla debe estar en funcionamiento. Coloque su mano en la parte superior del tanque y muévase lentamente por el costado hasta que el tanque se sienta frío al tacto. Esto indicará la cantidad aproximada de gasolina en su tanque; si está vacío, reemplácelo con tanque lleno.

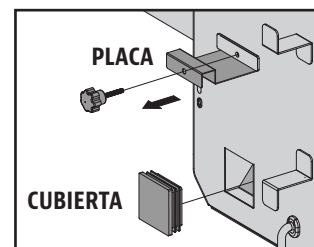
IMPORTANTE: No use briquetas de carbón ni ningún material inflamable con su parrilla. El uso de dicho material anulará su garantía y puede provocar un incendio, explosión y daños corporales.

1. COMPONENTES DEL QUEMADOR

- Limpie el quemador siempre que encuentre una acumulación pesada, para asegurarse de que no haya signos de bloqueo (escombros, insectos) en el tubo del quemador o en los ojos de buey del quemador. Después de períodos de almacenamiento, las arañas o los insectos pequeños pueden construir nidos, telas y poner huevos en el tubo del quemador, obstruyendo el flujo de gas hacia el quemador. Si guarda la parrilla o antes de un período prolongado de inactividad, retire el quemador y envuélvalo con papel de aluminio para reducir el riesgo de que entren insectos en los orificios del quemador.
- El quemador se ha preajustado para un rendimiento óptimo de la llama. Una llama azul, posiblemente con una pequeña punta amarilla, es el resultado de la mezcla óptima de aire y gas. Si las llamas son excesivamente amarillas, anaranjadas o irregulares, limpie los depósitos de aceite y alimentos en la superficie del quemador y los ojos de buey del quemador para aumentar el flujo de aire.

2. CONJUNTO DE TOLVA

- La tolva incluye una función de limpieza que facilita la limpieza y cambio de sabores del combustible de gránulos. Para vaciarla, localice la placa y el vertedero en la parte posterior de la tolva. Coloque un cubo vacío y limpio debajo de la cubierta del vertedero y a continuación retire la cubierta. Desenrosque la placa, deslícela hacia fuera y se vaciarán los gránulos.



NOTA: use un cepillo de mango largo o un aspirador en seco y húmedo para eliminar el exceso de gránulos, serrín y residuos, y limpiar por completo la pantalla de la tolva.

- Si no va a usar la barbacoa durante un período de tiempo prolongado, se recomienda vaciar todos los gránulos del alimentador de espiral. Para ello solo tiene que hacer funcionar la barbacoa, con la tolva vacía, hasta que hayan salido todos los gránulos del tubo del alimentador de espiral.
- Compruebe si hay residuos en el orificio de entrada de aire del ventilador, en la base de la tolva, y elimínelos. Una vez extraído el panel de acceso a la tolva (consulte el **Diagrama de cableado eléctrico**), limpie con cuidado cualquier acumulación de grasa que pueda haber en las aspas del ventilador. Así asegura una circulación de aire suficiente para el sistema de alimentación.

3. SONDAS

- Las arrugas o los pliegues en los cables de la sonda pueden dañar la pieza. Los cables deben enroscarse en un rollo grande y holgado.
- Aunque las sondas sean de acero inoxidable, no deben colocarse en el lavavajillas ni sumergirse en agua. El daño que el agua puede producir en los cables internos dará lugar a un cortocircuito de la sonda y a lecturas erróneas. Si una sonda está averiada debe sustituirse.

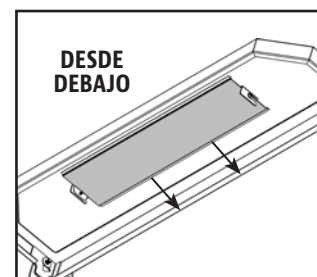
4. SUPERFICIES INTERNAS

- Se recomienda limpiar la chimenea cada pocos usos. Así se asegurará de que el sistema de ignición funcione correctamente y evitará cualquier acumulación de residuos o cenizas en la chimenea..
- Con un cepillo (de latón o metal suave) de mango largo para limpiar parrillas, elimine los restos de comida de las rejillas para cocinar. La práctica recomendada es hacerlo mientras están aún calientes de un uso anterior. Los fuegos de grasa se producen cuando caen demasiados residuos sobre los componentes para cocinar de la barbacoa. Limpie el interior de la barbacoa con regularidad. Si la grasa prende fuego, mantenga cerrada la tapa de la barbacoa para extinguir el fuego. Si el fuego no se extingue rápidamente, retire con cuidado la comida, apague la barbacoa y cierre la tapa hasta que el fuego se haya extinguido por completo. Esparza un poco de bicarbonato sódico, si lo tiene a mano.
- Compruebe a menudo el recogegrasa y límpielo si es necesario. Tenga en cuenta el tipo de cocina que suele realizar .

IMPORTANTE: dado el calor intenso, no cubra el asador de fuego ni las sondas con papel aluminio.

5. SUPERFICIES EXTERNAS

- El estante frontal incluye un panel extraíble debajo para facilitar la limpieza. Desde abajo, empuje la placa de respaldo hacia el cañón principal para quitarla. Limpiar y luego volver a colocar deslizándolo en su lugar.
- Limpie la barbacoa después de cada uso. Use agua tibia jabonosa para reducir la grasa. No use limpiadores de horno, limpiadores abrasivos ni estropajos abrasivos en las superficies externas de la barbacoa. **Ninguna de las superficies pintadas están cubiertas por la garantía, sino que forman parte del mantenimiento y conservación general.** En el caso de rasguños de pintura, desgaste o desconchado del acabado, todas las superficies pintadas pueden retocarse con la pintura BBQ para altas temperaturas.
- Use una cubierta para una protección completa de la barbacoa. Un cubierta es la mejor protección contra los agentes contaminantes climáticos y exteriores. Cuando la unidad no se use o se almacene durante períodos prolongados, guárdela bajo techo en un garaje o cobertizo.



FRECUENCIA DE LIMPIEZA (USO NORMAL)

COMPONENTE	FRECUENCIA DE LIMPIEZA	MÉTODO DE LIMPIEZA
Parte inferior de la parrilla	Cada 2-3 usos de la barbacoa	Eliminar los residuos con un recogedor o aspiradora en seco o húmedo
Tubo de quemador, ojos de buey	Cada 5-6 usos de la barbacoa	Limpia, estropajo y agua jabonosa
Quemadores	Cada 5-6 usos de la barbacoa	Estropajo y agua jabonosa
Superficies de acero inoxidable	Dos vez por año	Limpiador de acero inoxidable
Base de la parrilla principal	Cada 5-6 usos de la barbacoa	Eliminar los residuos con un recogedor o aspiradora en seco o húmedo
Chimenea	Cada 2-3 usos de la barbacoa	Eliminar los residuos con un recogedor o aspiradora en seco o húmedo
Rejillas para cocinar	Después de cada uso de la barbacoa	Quemar el exceso, cepillo de alambre de latón
Parrilla	Cada 5-6 usos de la barbacoa	Raspar la placa principal con guía, No lavar
Estante delantero	Después de cada uso de la barbacoa	Estropajo y agua jabonosa
Recogegrasas	Después de cada uso de la barbacoa	Estropajo y agua jabonosa
Alimentador de espiral	Cuando se vacía la bolsa de gránulos	Deje que el alimentador de espiral expela el serrín hasta que se vacíe la tolva
Componentes eléctricos de la tolva	Una vez por año	Limpia el interior, limpiar las aspas del ventilador con agua jabonosa
Orificio de entrada de aire	Cada 5-6 usos de la barbacoa	Limpia, estropajo y agua jabonosa
Sonda de temperatura	Cada 2-3 usos de la barbacoa	Estropajo y agua jabonosa

USO DEL COMBUSTIBLE DE PELLETS DE MADERA

Estos pellets de madera para asador se queman de manera limpia y generan alrededor de 8200 BTU por libra, con muy poca ceniza, poco contenido de humedad (5-7%) y son neutrales en carbón. Los pellets de madera para asador se producen con material puro en bruto (aserrín) que se pulveriza en un aserradero, y el material se pasa a presión por un troquel. Conforme el pellet pasa por el troquel, se corta, se enfría, se inspecciona, se aspira y se empaqueta para su venta al consumidor. Consulte a su distribuidor local respecto a los sabores disponibles en su región.

- 
▪ **MEZCLA DE NOGAL**
- 
▪ **MEZCLA DE MANZANO**
- 
• **MEZCLA DE MEZQUITE**
- 
▪ **MEZCLA DE CEREZO**
- 
▪ **MEZCLA DE COMPETENCIA**

NOTA: Siempre guarde los pellets de madera en un lugar seco. El contacto o exposición a la humedad, ya que esto resultará en una menor generación de calor o hará que los pellets se hinchen y desmoronen. Use una tina o cubeta hermética a prueba de humedad para almacenarlos correctamente

LINEAMIENTOS PARA COCINAR

Ahumar y asar pueden dar diferentes resultados dependiendo del tiempo y la temperatura. Para obtener los mejores resultados lleve un registro de lo que cocinó, a qué temperatura, por cuánto tiempo, y los resultados. Ajuste a su gusto la próxima vez. La práctica hace al maestro.

El arte culinario del ahumado caliente significa un tiempo de cocción más largo, pero le da a sus carnes un sabor de madera más natural (y un muy codiciado "anillo rosado"). Las temperaturas de cocción más altas resultan en tiempos de cocción más cortos y menos sabor ahumado.

CONSEJO: Para obtener los mejores resultados, deje que las carnes reposen después de cocinarlas. Esto permite que los jugos naturales regresen al interior de la carne, con lo que tendrá un corte mucho más jugoso y sabroso. Los tiempos de reposo pueden ser de 3 minutos hasta 60 minutos, dependiendo del tamaño de la proteína.

ESTILO DE COCINA	AHUMADO CALIENTE (MUY BAJO)	COCIDO (BAJO)	HORNEADO (MEDIO)	ASADO/HORNEADO (MEDIO/ALTO)	MARCADO (ALTO)
Rango de temperaturas	93-135°C / 199-275°F	135-162°C / 275-323°F	162-190°C / 323-374°F	190-232°C / 374-449°F	232-260°C / 449-500°F

AVES	TAMAÑO	Un cuarto - 54°C / 130°F	Medio - 60°C / 140°F	Bien cocido - 77°C / 170°F
Pavo (entero)	4.5-5.0 kg / 10-11 lbs. 5.3-6.4 kg / 12-14 lbs. 6.8-7.7 kg / 15-17 lbs. 8.2-10.0 kg / 18-22 lbs. 10.4-11.3 kg / 23-25 lbs.			Asar de 90 a 120 minutos Asar de 110 a 140 minutos Asar de 130 a 160 minutos Asar de 140 a 170 minutos Asar de 150 a 180 minutos
Pollo (entero)	1.36-2.26 kg / 3-5 lbs.			Asar de 1 a 1.5 horas
Muslos, pechugas	0.45 - 0.86 kg / 1 - 1½ lbs.			Asar de 30 a 60 minutos

Aves de caza pequeñas	0.45 - 0.86 kg / 1 - 1½ lbs.			Asar de 30 a 45 minutos
Pato	1.36-2.26 kg / 3-5 lbs.			Asar o cocer de 2 a 2.5 horas

CERDO	TAMAÑO	Precocido para recalentar 60°C / 140°F	Medio 66°C / 150°F	Bien cocido 71°C / 160°F
Jamón <i>(Porción bien cocida y sin hueso, ahumado para picnic entero y con hueso)</i>	2.5 cm / 1 pulg. 1.36-1.81 kg / 3-4 lbs. 1.81-2.72 kg / 4-6 lbs. 2.26-3.62 kg / 5-8 lbs. 4.53-5.44 kg / 10-12 lbs.	12 minutos 50 minutos a 1 hora 1 a 2 horas 1 a 2½ horas 2 a 2¾ horas		
Asado de lomo	1.36-1.81 kg / 3 - 4 lbs.		1 a 2 horas	2 a 3 horas
Corona de costillas asada	1.81-2.26 kg / 4 - 5 lbs.		1½ a 2 horas	2 a 3 horas
Chuleta <i>(lomo, costillas)</i>	1.9-2.5 cm / ¾ - 1 pulg. 3.1-3.9 cm / 1¼ - 1½ pulg.		10 a 12 minutos 14 a 18 minutos	
Lomo	1.9-2.5 cm / ¾ - 1 pulg.		20 a 30 minutos	30 a 45 minutos
Asado de lomo, sin huesos	1.36-2.26 kg / 3-5 lbs.		1¼ a 1¾ horas	1¾ a 2½ horas
Boston Butt <i>(hombro de puerco)</i>	3.62-4.53 kg / 8-10 lbs.			93 - 98°C / 200 - 210°F Temperatura interior

RES	TAMAÑO	CALOR	Un cuarto 54°C / 130°F	Medio 60°C / 140°F	Bien cocido 65°C / 150°F
Bistec <i>(New York, Porterhouse, Rib-eye, Sirloin, T-bone o lomo)</i>	1.9 cm / ¾ pulg. 2.5 cm / 1 pulg. 3.8 cm / 1½ pulg. 5 cm / 2 pulg.	Alto	Marcar 8 a 10 minutos Marcar 10 a 12 minutos Marcar 10 minutos, asar 8 a 10 minutos Marcar 10 minutos, asar 10 a 14 minutos		
Falda de res	0.6 - 12.7 cm / ¼ - ½ pulg.	Alto	5 a 7 minutos		
Arrachera	0.45 - 0.86 kg / 1 - 1½ lbs., 1.9 cm / ¾ pulg.	Medio	Marcar 4 minutos, asar 8 a 10 minutos		
Kebab	Cubos de 2.5 - 3.8 cm / 1 - 1½ pulg.	Medio	Asar 10 a 12 minutos		
Tenderloin, entero	1.58 - 1.81 kg / 3½ - 4 lbs.	Alto/Medio	1½ a 2 horas		
Hamburguesa	1.9 cm / ¾ pulg.	Alto/Medio	Marcar 4 minutos, asar 4 a 6 minutos		
Asado de rib-eye, sin huesos	2.26 - 2.72 kg / 5 - 6 lbs.	Medio	1½ a 2 horas		
Asado de tri-tip	0.9 - 1.13 kg / 2 - 2½ lbs.	Alto/Medio	Marcar 10 minutos, asar 20 a 30 minutos		
Asado de costilla	5.44 - 6.35 kg / 12 - 14 lbs.	Medio	2½ a 2¾ horas		
Chuleta de ternera	2.5cm / 1 pulg.	Medio	10 a 12 minutos		
Brisket	7.25 - 3.62 kg / 16 -18 lbs.	Ahumado caliente	Asar hasta que la temperatura interna llegue a 91°C / 195°F		

CORDERO	TAMAÑO	Un cuarto - 54°C / 130°F	Medio - 60°C / 140°F	Bien cocido - 71°C / 160°F
Asado (fresco)	2.26 - 2.72 kg / 5 - 6 lbs.		1 a 2 horas	
Corona de costillas asada	1.36-2.26 kg / 3-5 lbs.		1 a 1½ horas	1½ horas

MARISCOS	TAMAÑO	Un cuarto - 54°C / 130°F	Medio - 60°C / 140°F	Bien cocido - 82°C / 180°F
Pescado (<i>entero</i>)	0.5 kg / 1 lb. 0.9 - 1.1 kg / 2 - 2½ lbs. 1.4 kg / 3 lbs.			Asar 10 a 20 minutos Asar 20 a 30 minutos Asar 30 a 45 minutos
Pescado (<i>filetes</i>)	0.6-1.3 cm / ¼ - ½ pulg.			Asar 3 a 5 minutos, hasta que se desmenuce con facilidad
Cola de langosta	0.15 kg / 5 oz. 0.3 kg / 10 oz.			Asar 5 a 6 minutos Asar 10 a 12 minutos

CAZA	TAMAÑO	Un cuarto - 60°C / 140°F	Medio - 71°C / 160°F	Bien cocido - 77°C / 170°F
Asado (<i>fresco</i>)	2.26 - 2.72 kg / 5 - 6 lbs.		1 a 1½ horas	1½ a 2 horas
Cortes grandes (<i>fresco</i>)	3.62-4.53 kg / 8-10 lbs.		1 horas	1½ horas

CONSEJOS Y TÉCNICAS

Siga estos útiles consejos y técnicas, transmitidos por los dueños de Pit Boss®, nuestro personal y nuestros clientes, como usted, para familiarizarse con su asador:

1. SEGURIDAD DE LOS ALIMENTOS

- Mantenga limpio todo lo que haya en la cocina y en el área para cocinar. Use platos y utensilios diferentes para la carne cocida que los que utilizó para preparar o transportar la carne cruda al asador. Esto evitará la contaminación cruzada por bacterias. Cada marinada o salsa para untar debe tener su propio utensilio.
- Mantenga las comidas calientes calientes (a más de 60 °C / 140 °F), y mantenga las comidas frías frías (a menos de 3 °C / 37°F).
- Nunca debe guardar una marinada para usarla en el futuro. Si la va a servir con la carne, asegúrese de hervirla antes de servir.
- Los alimentos cocidos no deben dejarse en un entorno caliente por más de una hora. No deje alimentos calientes fuera del refrigerador por más de dos horas.
- Descongele y marine las carnes en refrigeración. No descongele la carne a temperatura ambiente ni sobre un mostrador. Las bacterias pueden crecer y multiplicarse con rapidez en comidas calientes y húmedas. Lávese las manos cuidadosamente con agua tibia y jabón antes de iniciar la preparación de los alimentos y después de manejar carne fresca, pescado y aves.

2. PREPARACIÓN PARA COCINAR

- Esté preparado o "**Mise en Place**". Esto se refiere a estar preparado con la receta, el combustible, los accesorios, los utensilios y todos los ingredientes que necesita junto al asador antes de empezar a cocinar. Además, lea toda la receta, de principio a fin, antes de encender el asador.
- Un tapete para asador es muy útil. Debido a los accidentes al manejar la comida y las salpicaduras al cocinar, un tapete protege su terraza, patio o piso de piedra del riesgo de manchas de grasa o derrames accidentales.

3. CONSEJOS Y TÉCNICAS PARA COCINAR

- Para infundir más sabor ahumado a sus carnes, cocínelas por más tiempo y a temperaturas más bajas (esto también se conoce como "**bajo y lento**"). La carne cerrará sus fibras cuando alcance una temperatura interna de 49 °C / 120 °F. Aplicar líquidos en aerosol o con un pequeño "trapeador" son excelentes maneras de evitar que la carne se seque.
- Al marcar sus carnes, cocine con la tapa cerrada. Siempre use un termómetro de carne para determinar la temperatura interna de los alimentos que está cocinando. Ahumar la comida con pellets de madera dura le da un tono rosado a la carne y las aves. La banda rosada (después de cocinar), conocida como **anillo de humo**, es muy apreciada por los chefs de asador.
- Es mejor aplicar las salsas con base de azúcar cerca del final de la cocción, para evitar que se quemen o provoquen llamaradas.

- Deje un espacio de separación entre la comida y los extremos del barril para que el calor fluya apropiadamente. Los alimentos en una parrilla muy llena necesitarán más tiempo de cocción.
- Use un juego de tenazas de mango largo para voltear las carnes, y una espátula para voltear hamburguesas y pescados. Si usa un utensilio puntiagudo, como un trinche, perforará la carne y permitirá que se escapen los jugos.
- Las comidas en platos hondos necesitarán más tiempo de cocción que en una charola plana.
- Es una buena idea colocar los alimentos preparados en un hornillo para mantenerlos calientes. Las carnes rojas, como los bistecs y asados, saben mejor cuando reposan varios minutos antes de servirlos. Esto permite que los jugos que el calor sacó a la superficie regresen al centro de la carne, dándole más sabor.

RESOLUCIÓN DE PROBLEMAS

Una limpieza adecuada, mantenimiento y el uso de combustible limpio, seco y de calidad impedirán que surjan los problemas de funcionamiento más comunes. Cuando la barbacoa Pit Boss® no funcione bien, o se use con menor frecuencia, las siguientes sugerencias de solución de problemas pueden resultar útiles. Consulte las preguntas frecuentes en www.pitboss-grills.com. También puede ponerse en contacto con su distribuidor local autorizado de Pit Boss® o bien solicitar asistencia al servicio de Atención al cliente.

ADVERTENCIA: desconecte siempre el cable eléctrico antes de abrir la barbacoa para cualquier inspección o tarea de limpieza, mantenimiento o reparación. Asegúrese de que la barbacoa se haya enfriado por completo para evitar lesiones.

PARRILLA DE PELLETS DE MADERA

PROBLEMA	CAUSA	SOLUCIÓN
Sin luces de encendido en el tablero de control	No conectada a una fuente de alimentación	Asegúrese de que la unidad esté conectada a una fuente de alimentación que funcione. Reinicie el disyuntor. Asegúrese de que la toma GFCI sea de 10 amperios como mínimo (véase el Diagrama de cableado eléctrico para consultar el acceso a los componentes eléctricos). Asegúrese de que todas las conexiones por cable estén firmemente conectadas y secas.
	Fusible quemado en el tablero de control	Extraiga el panel de acceso a la tolva (consulte el Diagrama de cableado eléctrico), empuje hacia dentro las lengüetas de plástico que sujetan el tablero de control y tire cuidadosamente del controlador situado dentro de la tolva para soltarlo. Compruebe si el fusible tiene un cable roto o si el cable está ennegrecido. En caso afirmativo, es necesario cambiar manualmente el fusible.
	La toma GFCI se ha desconectado.	Extraiga el panel de acceso a la tolva (consulte el Diagrama de cableado eléctrico) y asegúrese de que todos los cables estén firmemente conectados y secos. Asegúrese de que la toma GFCI sea de 10 amperios como mínimo.
	Tablero de control defectuoso	Debe sustituirse el Tablero de control. Póngase en contacto con Atención al cliente para solicitar el recambio.
El fuego de la chimenea no se enciende	El alimentador de espiral no se ceba	Antes de usar la unidad por primera vez o siempre que la tolva esté completamente vacía, debe cebarse el alimentador de espiral para que los gránulos el tubo del alimentador de espiral. Si no se ceba, el sistema de ignición agotará su tiempo de espera antes de que los gránulos lleguen a la chimenea. Siga el Procedimiento de cebado de la tolva.
	El motor de alimentador de espiral está atascado	Extraiga los componentes de cocina del tambor principal. Pulse el botón de Encendido para encender la unidad, gire el Dial de control de temperatura a la posición AHUMAR e inspeccione el alimentador de espiral. Confirme visualmente si el alimentador de espiral está soltando gránulos en la chimenea. Si no funciona bien, llame a Atención al cliente para solicitar asistencia o una pieza de recambio.
	Fallo del sistema de ignición	Extraiga los componentes de cocina del tambor principal. Pulse el botón de Encendido para encender la unidad y gire el Dial de control de temperatura a la posición AHUMAR, e inspeccione el sistema de ignición. Confirme visualmente si el sistema de ignición funciona colocando la mano por encima de la chimenea y comprobando si percibe calor. Confirme visualmente si el sistema de ignición sobresale aproximadamente 13 mm/0,5 pulgadas en la chimenea. Si no funciona bien, siga el Procedimiento de arranque manual para continuar usando la barbacoa, pero si necesita asistencia o algún recambio, llame al servicio de Atención al cliente.

La lectura de temperatura real no se ajusta	La sonda de la parrilla está sucia	Suivez les instructions d'entretien et de maintenance.
	La sonda de la parrilla está averiada	La sonda de la parrilla debe sustituirse. Póngase en contacto con el servicio de atención al cliente.
La barbacoa no alcanza o no mantiene la temperatura estable	Circulación de aire insuficiente en la chimenea	Compruebe si la chimenea presenta acumulación de ceniza u obstrucciones. Siga las Instrucciones de Cuidado y mantenimiento para la acumulación de cenizas. Compruebe el ventilador. Asegúrese de que esté funcionando correctamente y que la entrada de aire no esté bloqueada. Siga las instrucciones de Cuidado y mantenimiento si está sucia. Compruebe el motor del alimentador de espiral para confirmar que está funcionando y asegúrese de que el tubo del alimentador de espiral no esté bloqueado. Una vez realizados los pasos anteriores, encienda la barbacoa, establezca la temperatura en AHUMAR y espere 10 minutos. Compruebe si la llama es brillante y viva.
	Falta combustible, combustible de mala calidad, obstrucción en el sistema de alimentación	Compruebe si el nivel de combustible en la tolva es suficiente y reponga si es bajo. Si la calidad de los gránulos es mala, o si estos son demasiado largos, esto puede producir obstrucciones en el sistema de alimentación. Extraiga los gránulos y siga las instrucciones de Cuidado y mantenimiento.
	Sonda de temperatura	Compruebe el estado de la sonda de temperatura. Siga las instrucciones de Cuidado y mantenimiento si está sucia. Póngase en contacto con Atención al cliente para solicitar un recambio si está dañada.
La barbacoa despidе demasiado humo o humo descolorido	Acumulación de grasa	Siga las instrucciones de Cuidado y mantenimiento.
	Calidad de los gránulos de madera	Extraiga los gránulos de madera húmedos de la tolva. Siga las instrucciones de Cuidado y mantenimiento para limpiar. Sustituya por gránulos de madera secos.
	La chimenea está bloqueada	Extraiga los gránulos de madera húmedos de la chimenea. Siga el Procedimiento de cebado de la tolva.
	Circulación de aire insuficiente para el ventilador	Compruebe el ventilador. Asegúrese de que esté funcionando correctamente y que la entrada de aire no esté bloqueada. Siga las instrucciones de Cuidado y mantenimiento si está sucia.
Llamaradas frecuentes	Temperatura de cocción	Pruebe cocinar a temperatura más baja. La grasa tiene un punto de inflamación. Mantenga la temperatura por debajo de 176 °C/350 °F cuando cocine alimentos muy grasos.
	Acumulación de grasa en los componentes de cocina	Siga las instrucciones de Cuidado y mantenimiento.
Código de error "ErP"	La unidad no se apagó correctamente la última vez que se conectó a la alimentación.	La función de seguridad impide el reinicio automático. Pulse el botón de Encendido para apagar la unidad, espere dos minutos y pulse el botón de Encendido para volver a encender la unidad. Gire el Dial de control de temperatura al ajuste AHUMAR o a la temperatura deseada. Si aún aparece el error, póngase en contacto con Atención al cliente.
	Corte de luz mientras la unidad está en funcionamiento.	
Código de error "ErH"	La unidad se ha recalentado, posiblemente debido a fuego de grasa o exceso de combustible.	Pulse el botón de Encendido para apagar la unidad y deje enfriar la barbacoa. Siga las instrucciones de Cuidado y mantenimiento. Tras las tareas de mantenimiento, extraiga los gránulos y confirme la colocación de todas las piezas componentes. Una vez se haya enfriado, pulse el botón de Encendido para encender la unidad y seleccione la temperatura deseada. Si aún aparece el error, póngase en contacto con Atención al cliente.
Código de error "ErL"	La parrilla no realiza el ciclo de encendido	Compruebe que los componentes para cocinar estén colocados correctamente. Compruebe si hay combustible suficiente en la tolva o si hay alguna obstrucción en el sistema de alimentación. Extraiga los pélets y siga las instrucciones de cuidado y mantenimiento. Compruebe la sonda de la parrilla. Confirme si la temperatura real es correcta y precisa. Siga las instrucciones de cuidado y mantenimiento si está sucia. Compruebe la colocación del encendedor y asegúrese de que esté calentando correctamente. En condiciones de frío extremo, la parrilla puede requerir un segundo encendido. Apague la parrilla, espere y vuelva a encenderla. Compruebe el ventilador. Asegúrese de que funciona correctamente. Siga las instrucciones de cuidado y mantenimiento si está sucia.
	La parrilla no se mantiene encendida	
Código de error "Err" con el mensaje PELLETS visible	Falta combustible, combustible de mala calidad, obstrucción en el sistema de alimentación, alimentador de espiral atascado	Compruebe si el nivel de combustible en la tolva es suficiente y reponga si es bajo. Si la calidad de los pélets de madera es mala o si estos son demasiado largos, puede producirse una obstrucción en el sistema de alimentación. Extraiga los pélets y siga las instrucciones de cuidado y mantenimiento.

Código de error "Err" con el icono de SISTEMA DE IGNICIÓN parpadeando	El sistema de ignición no funciona adecuadamente y no puede establecer una conexión	Presione el botón de encendido para encender la unidad e inspeccionar el encendedor. Confirme visualmente que el encendedor está funcionando colocando su mano sobre la rejilla de combustión y sintiendo el calor. Confirme visualmente que el encendedor esté alineado con el orificio de la rejilla de combustión y ábralo para encender los pellets. Si no funciona correctamente, llame al Servicio al cliente para obtener ayuda o una pieza de repuesto.
	Ignitor failure	Si no funciona correctamente, llame al servicio de atención al cliente para solicitar asistencia o una pieza de recambio.
Código de error "Err" con el icono de ALIMENTADOR DE ESPIRAL parpadeando	El alimentador de espiral no se ceba	Antes de usar la unidad por primera vez o siempre que la tolva esté completamente vacía, debe cebarse el alimentador de espiral para que los gránulos el tubo del alimentador de espiral. Si no se ceba, el sistema de ignición agotará su tiempo de espera antes de que los gránulos lleguen a la chimenea. Siga el Procedimiento de cebado de la tolva.
	El motor de la barrena está atascado, no hace una conexión	Extraiga los componentes de cocina del tambor principal. Pulse el botón de Encendido para encender la unidad, gire el Dial de control de temperatura a la posición AHUMAR e inspeccione el alimentador de espiral. Confirme visualmente si el alimentador de espiral está soltando gránulos en la chimenea. Si no funciona bien, llame a Atención al cliente para solicitar asistencia o una pieza de recambio.
Código de error "Err" con el icono de VENTILADOR parpadeando	El ventilador no funciona correctamente, no hace una conexión	Revise el ventilador. Asegúrese de que funcione correctamente y que la entrada de aire no esté bloqueada. Retire el panel de acceso a la tolva (consulte el diagrama de cableado eléctrico para ver el diagrama) y compruebe si hay daños en los cables del ventilador. Siga las instrucciones de cuidado y mantenimiento si las aspas del ventilador están sucias.

BARBACOA A GAS PROPANO

PROBLEMA	CAUSA	SOLUCIÓN
La barbacoa no se enciende	El cable de ignición se soltó del sistema de ignición eléctrica/válvula.	Vuelva a conectar el cable de ignición al sistema de ignición eléctrica/válvula.
	El cable de ignición está roto	Póngase en contacto con Atención al cliente para solicitar asistencia o recambios.
	La batería se ha agotado	Instale una batería nueva.
	La batería nueva no funciona	Compruebe la polaridad de la batería. La batería se inserta por el lado negativo (-).
	La punta del electrodo no produce chispas en el puerto del quemador	Ajuste el electrodo.
	No hay suministro de gas	Compruebe la válvula del regulador. Compruebe si hay fugas en la conexión.
Exceso de llamaradas	Asar carnes grasas	Ase las carnes grasas con las rejillas frías y las perillas en posición "LOW" (bajo). Traslade las carnes a la bandeja para calentar si las llamaradas continúan.
	Temperatura de cocción	Pruebe cocinar a temperatura más baja. La grasa tiene un punto de inflamación. Mantenga la temperatura por debajo de 176 °C/350 °F cuando cocine alimentos muy grasos.
	Agua arrojada sobre las llamas de gas	No arroje agua sobre las llamas de gas.
El quemador se apaga	El tanque de gas está vacío	Rellene el tanque de gas.
	El quemador no está alineado con la válvula de control	Instale el quemador correctamente.
	El suministro de gas no es suficiente	Compruebe la manguera de suministro de gas y asegúrese de que no haya fugas ni nudos.
Baja temperatura en la posición "HIGH" (alta)	Los puertos están bloqueados	Elimine las obstrucciones que pueda haber en los puertos.
	Se ha vaciado el tanque de gas	Rellene el tanque de gas.

DIAGRAMA DE CABLEADO ELÉCTRICO

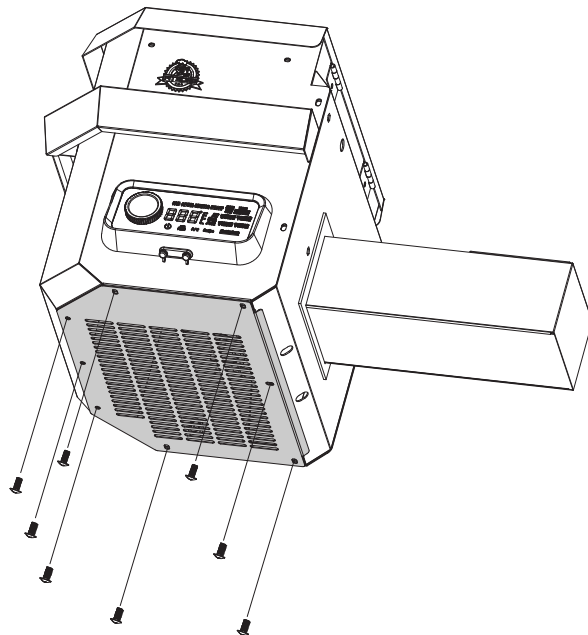
El sistema del Tablero de control digital es una pieza de tecnología compleja y valiosa. Para proteger contra las subidas de tensión y los cortocircuitos, consulte el diagrama de cableado para asegurarse de que la fuente de alimentación sea suficiente para que la unidad funcione correctamente.

PB – REQUISITOS ELÉCTRICOS

110-120 V, 60 HZ, 250 W, ENCHUFE DE 3 PATILLAS CON CONEXIÓN A TIERRA

NOTA: los componentes eléctricos, que han superado las pruebas de seguridad y los servicios de certificación de producto, cumplen la tolerancia de prueba de $\pm 5-10$ por ciento.

LOCALICE Y EXTRAIGA LOS OCHO TORNILLOS DEL PANEL DE ACCESO SITUADO EN EL LATERAL DE LA TOLVA.

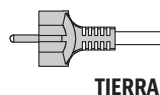


TASA DE ENTRADA DE COMBUSTIBLE:
2.0 KG/H
(4.4 LB/H)

TABLERO DE CONTROL

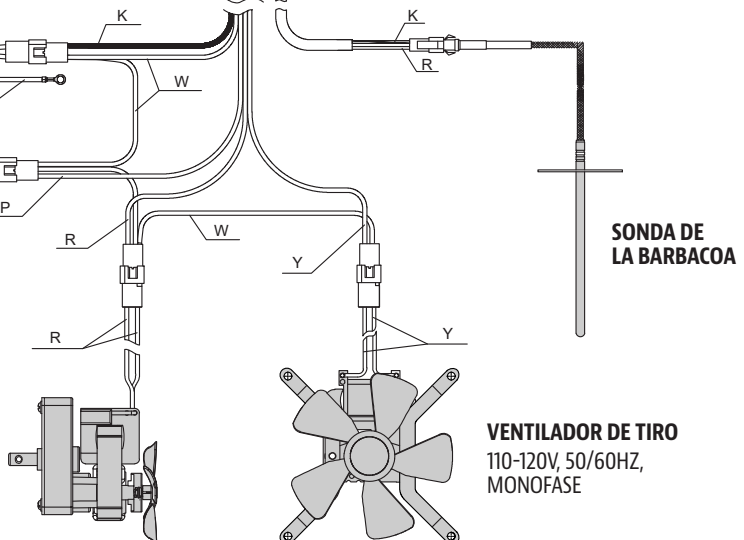
CABLE DE ALIMENTACIÓN CON CONEXIÓN A TIERRA

VW-1, 105°C/221°F,
18-3 STANDARD CSA



SISTEMA DE IGNICIÓN/CALENTADOR DE CARTUJO HD

200W, 120V
0.375" X 5.000" / 9.5 X 127 MM



ALIMENTADOR DE ESPIRAL Y MOTOR
120V, 50/60HZ,
MOTOR DE 2 RPM

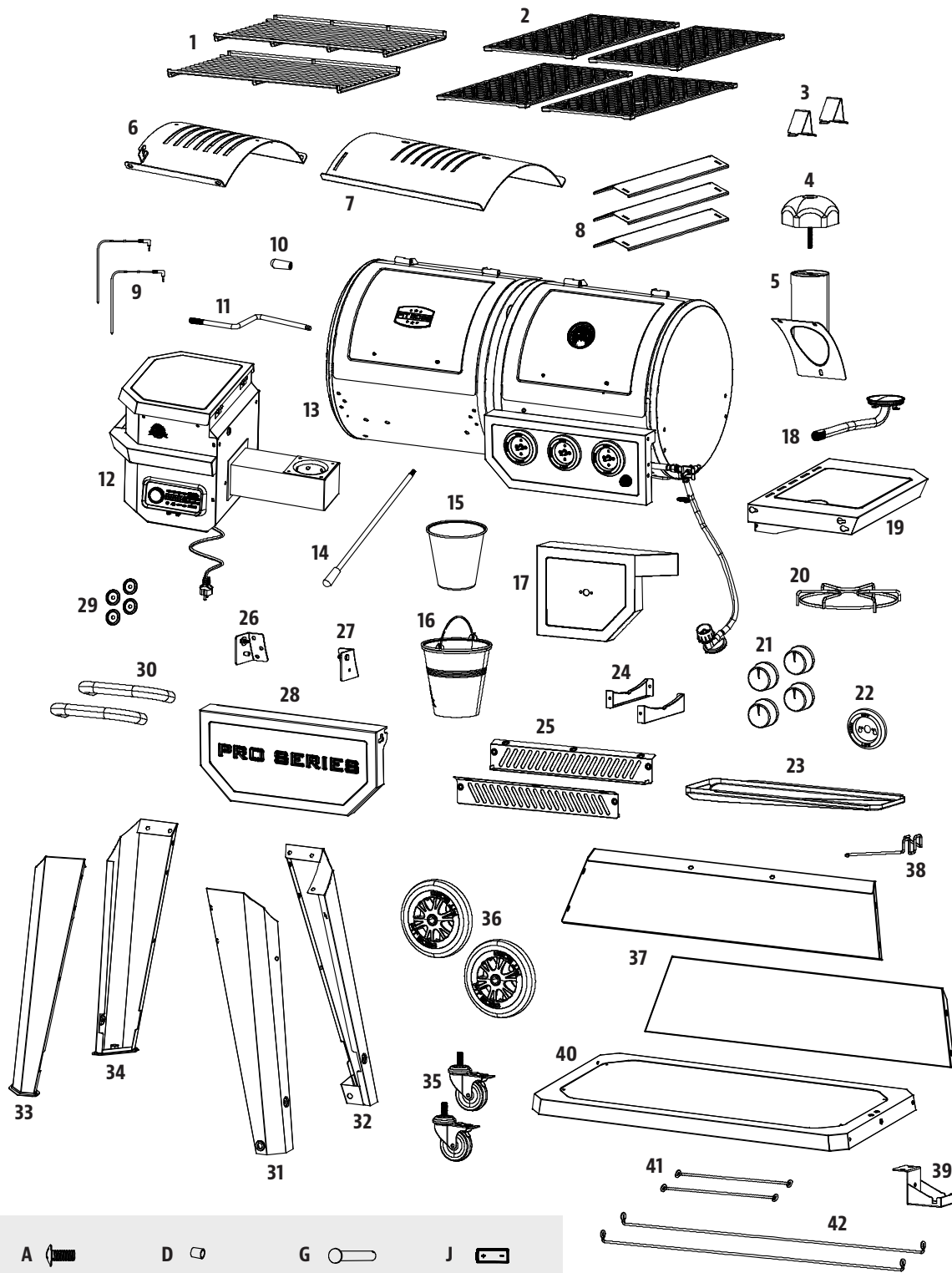
VENTILADOR DE TIRO
110-120V, 50/60HZ,
MONOFASE

SONDA DE LA BARBACOA

ÍNDICE

K : NEGRO
W : BLANCO
R : ROJO
Y : AMARILLO
P : MORADO
O : NARANJA
G : VERDE

PIEZAS DE REPUESTO DE LA BARBACOA



A	D	G	J
B	E	H	
C	F	I	

ESPAÑOL



PIEZAS DE REPUESTO DE LA BARBACOA

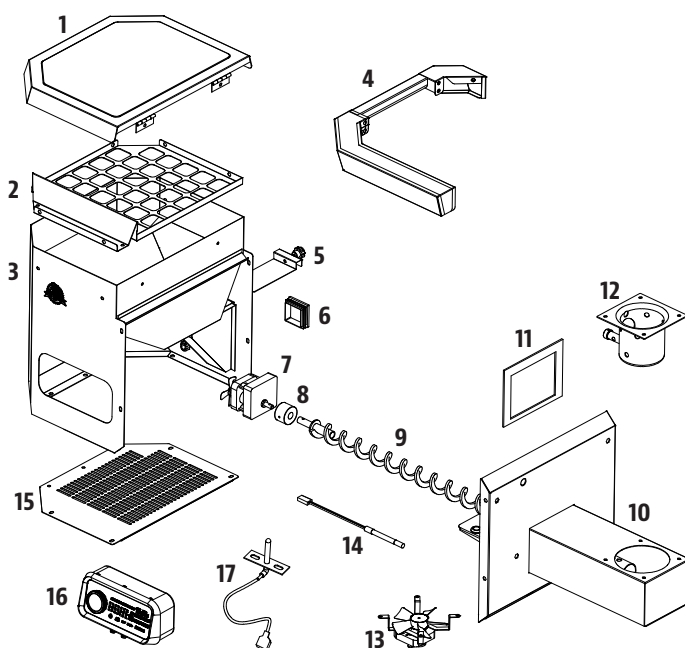
N.º	Descripción
1	Bandeja para cocinar superior de acero con capa de porcelana (x2)
2	Rejillas para cocinar de hierro forjado recubierto de porcelana (x4)
3	Tapón de la tapa (x2)
4	Tapa de la chimenea (x1)
5	Pila de chimenea (x1)
6	Guía de la parrilla (x1)
7	Placa principal de la parrilla (x1)
8	Barras saborizantes (x3)
9	Sonda de carne (x2)
10	Asa del regulador de la parrilla (x1)
11	Regulador de la parrilla (x1)
12	Conjunto de tolva (x1)
13	Conjunto de parrilla principal (x1)
14	Barra de ajuste del humo (x1)
15	Contenedor interno del cubo de grasa (x1)
16	Recogegrasa (x1)
17	Panel de quemador lateral (x1)
18	Quemador lateral (x1)
19	Repisa de quemador lateral (x1)
20	Rejilla de quemador lateral (x1)
21	Botón del quemador (x4)
22	Bisel de la perilla del quemador (x1)
23	Bandeja de grasa (x1)
24	Soporte de la bandeja de grasa A (x2)
25	Soporte de la bandeja de grasa B (x2)
26	Soporte del estante delantero izquierdo (x1)
27	Soporte del estante delantero derecho (x1)
28	Estante delantero (x1)
29	Asa de la tapa Aros (x4)
30	Asa de la tapa (x2)
31	Pata de soporte / delantera (x1)
32	Pata de soporte / trasera (x1)
33	Pata de soporte para rueda pivotante / delantera (x1)
34	Pata de soporte para rueda pivotante / posterior (x1)
35	Ruedas pivotantes con freno (x2)
36	Ruedas (x2)

N.º	Descripción
37	Panel delantero / trasero del carro (x2)
38	Cable de retén de la bombona de gas LP (x1)
39	Soporte de la bombona de gas LP (x1)
40	Estante inferior del carro (x1)
41	Barra del carro A (x2)
42	Barra del carro B (x2)
A	Tornillos (x58)
B	Arandelas (x51)
C	Arandelas de retención (x49)
D	Casquillo (x2)
E	Clavijas de rueda (x2)
F	Arandelas de rueda (x2)
G	Clavijas de eje de rueda (x2)
H	Tornillos (x2)
I	Tuercas (x5)
J	Pila AA (x1)

NOTA: debido a que el producto está en desarrollo constante, las piezas están sujetas a cambios sin aviso previo.

PIEZAS DE REPUESTO DE LA TOLVA

N.º	Descripción
1-PSH	Tapa de la tolva (x1)
2-PSH	Pantalla de seguridad de la tolva (x1)
3-PSH	Carcasa de la tolva (x1)
4-PSH	Asa de la tolva (x1)
5-PSH	Placa del vertedor (x1)
6-PSH	Tapa del vertedor (x1)
7-PSH	Motor del alimentador de espiral (x1)
8-PSH	Casquillo de nylon (x1)
9-PSH	Conjunto de fuga de la tolva (x1)
10-PSH	Carcasa del alimentador de espiral (x1)
11-PSH	Junta de la carcasa de la tolva (x1)
12-PSH	Chimenea (x1)
13-PSH	Ventilador de combustión (x1)
14-PSH	Sistema de ignición (x1)
15-PSH	Panel de acceso a la tolva (x1)
16-PSH	Tablero de control (x1)
17-PSH	Sonda de la barbacoa (x1)



GARANTÍA

CONDICIONES

Todos los asadores de pellets de madera de Pit Boss®, fabricados por Dansons, tiene una garantía limitada a partir de la fecha de venta solo para el comprador original. La cobertura de la garantía comienza en la fecha original de compra y es necesario un comprobante de la fecha de la compra o una copia de la factura original de compra para validar la garantía. Los clientes deberán cubrir el costo de las refacciones, manejo y envío si no pueden proporcionar el comprobante de compra o si la garantía ha expirado.

Dansons ofrece una garantía por cinco (5) años contra defectos y mano de obra en todas las partes, y por cinco (5) años en los componentes eléctricos. Dansons garantiza que todas las partes están libres de defectos materiales y de mano de obra, para el período de uso y propiedad del comprador original. La garantía no cubre daños por desgaste normal, tales como rasguños, abolladuras, muescas o fisuras menores superficiales. Estos cambios estéticos en la parrilla no afectan su rendimiento. La reparación o reemplazo de cualquier pieza no extiende el período de garantía limitada más allá de cinco (5) años de la fecha de compra.

Durante el período de la garantía, la obligación de Dansons se limitará solo a suministrar un reemplazo para componentes defectuosos y/o que presenten fallas. Durante el período de garantía, Dansons no cobrará por reparaciones o reemplazos de partes devueltas, con envío prepago, si considera que las partes son defectuosas luego de haberlas examinado. Dansons no será responsable de costos de transporte, mano de obra o derechos de exportación. Salvo por lo establecido en estas condiciones de la garantía, la reparación o reemplazo de partes, de la manera y durante el período de tiempo aquí mencionados, constituye el cumplimiento de todas las responsabilidades y obligaciones, directas y derivadas, de Dansons hacia usted.

Dansons hace todo lo posible por utilizar materiales que retarden la oxidación. Incluso con estas precauciones, diferentes sustancias y condiciones fuera del control de Dansons pueden afectar los recubrimientos protectores. Las Temperaturas altas, la humedad excesiva, el cloro, los humos industriales, los fertilizantes, los pesticidas de jardín y la sal son algunas de las sustancias que pueden afectar los recubrimientos del metal. Por estas razones, la garantía no cubre corrosión ni oxidación, a menos que exista una pérdida de integridad estructural en el componente del asador. Si ocurre alguna de las condiciones anteriores, consulte la sección de cuidado y mantenimiento para prolongar la vida útil de su unidad. Dansons recomienda el uso de una cubierta para el asador cuando este no esté en uso.

La garantía se basa en el uso y servicio doméstico normal del asador, y ninguna garantía limitada se aplica a un asador que se utilice en aplicaciones comerciales.

EXCEPCIONES

No existe una garantía escrita o implícita de desempeño en los asadores Pit Boss®, ya que el fabricante no tiene control sobre la instalación, la operación, la limpieza, el mantenimiento o el tipo de combustible utilizado. Esta garantía no aplicará, y Dansons no asumirá ninguna responsabilidad, si su aparato no se instaló, operó, limpió o mantuvo en estricto cumplimiento con este manual del propietario. Cualquier uso de gas que no se explique en este manual puede anular la garantía. La garantía no cubre daños ni fallas debidas al mal uso, manejo inapropiado o modificaciones.

Ni Dansons ni el distribuidor autorizado de Pit Boss® asumen responsabilidad alguna, jurídica o de otro tipo, por los daños accidentales o consecuentes a los bienes o las personas debido al uso de este producto. Si se realiza una demanda contra Dansons con base en una infracción de esta garantía o de cualquier otro tipo de garantía explícita o implícita por la ley, el fabricante de ninguna manera será responsable de cualquier daño especial, indirecto o consecuente, ni por otros daños de cualquier naturaleza, por encima del precio original de compra de este producto. Todas las garantías del fabricante se especifican en este documento y no se puede realizar ninguna demanda contra el fabricante por cualquier garantía o promesa.

Algunos estados no permiten la exclusión o limitación de daños incidentales o consecuentes, o limitaciones de garantías implícitas, así que las limitaciones o exclusiones especificadas en esta garantía limitada podrían no aplicar para usted. Esta garantía limitada le da derechos jurídicos específicos y usted podría tener otros derechos, los cuales varían de estado a estado.

CÓMO ORDENAR REFACCIONES

Para ordenar refacciones, comuníquese con el distribuidor de Pit Boss® de su localidad, o visite nuestra tienda en línea en: www.pitboss-grills.com

CONTACTO CON SERVICIO AL CLIENTE

Si tiene preguntas o problemas, comuníquese con servicio al cliente, lunes a viernes de 4 am - 8 pm hora del pacífico (ANG/FR/ES).

service@pitboss-grills.com | Línea sin costo: 1-877-303-3134 | Fax sin costo: 1-877-303-3135

SERVICIO BAJO GARANTÍA

Comuníquese con su distribuidor Pit Boss® más cercano para reparaciones o refacciones. Dansons requiere un comprobante de compra para otorgar una reclamación de garantía; por lo tanto, conserve su recibo o factura de venta original para referencia futura. Puede ver el número de serie y modelo de su Pit Boss® en el interior de la tapa de la tolva. Escriba los números a continuación, ya que la etiqueta podría desgastarse o quedar ilegible.

MODELO

NÚMERO DE SERIE

FECHA DE COMPRA

DISTRIBUIDOR AUTORIZADO

RECETAS

BRISKET CLÁSICO

Rinde 4 - 6 porciones

Un brisket completo de res pesa de 7.25 a 8.62 kg / 16 a 19 libras y tiene tres partes distintas: el tope, la punta y la falda. Use la sección de la falda, ya que es magra, compacta y produce buenas rebanadas al cortarla.

Ingredientes:

1	Brisket de res 2.2-3.6 kg / 5-8 lbs, La capa de grasa debe tener al menos 0.6 cm / ¼ pulg. de grosor
1 envase	mostaza amarilla preparada
75 ml / 5 C.	sazonador
1 botella	salsa de chili
1 paquete	mezcla seca de sopa de cebolla
375 ml / 1 ½ tz.	caldo de res
40 ml / 8 c.	pimienta negra

Sabor de pellets de madera sugerido: Nogal / Competencia

Instrucciones:

1. Extienda un trozo grande de plástico para envolver en su lugar de trabajo. De tamaño suficiente para envolver el brisket. Usando un cuchillo afilado, haga un corte en la parte inferior del brisket en contra del grano. Esto ayudará a rebanar el brisket terminado contra el grano, dándole un corte tierno que se deshace en la boca. La parte inferior es la que no tiene capa de grasa. Cubra con una cantidad generosa de mostaza preparada. Frótelas ligeramente sobre toda el área. Esparza una cantidad generosa de sazón sobre la mostaza, y vuelva a frotarla con suavidad en la carne. Voltee el brisket y repita el proceso. Envuelva el brisket preparado en el plástico y refrigere de 2 a 4 horas o toda la noche.
2. Prepare la mezcla para untar. Mezcle la salsa de chili, la mezcla seca de sopa de cebolla, el caldo de res y la pimienta negra. Déjelos reposar.
3. **Precaliente el asador, y luego reduzca a SMOKE (Ahumar) o a temperatura baja.**
4. Coloque el brisket, con el lado de la grasa hacia arriba, en el centro del asador. Cierre la tapa del asador. Cocine lentamente hasta que esté tierno, de 10 a 12 horas.
5. Unte el brisket con la mezcla para untar al menos cada media hora durante las primeras 3 horas.
6. Continúe el proceso de cocción lenta hasta que la temperatura interna alcance 60-66 °C / 140-150 °F. Saque el brisket del asador. **Suba la temperatura del asador a 176 °C / 350 °F.**
7. Coloque el brisket en un envoltorio hecho de dos capas de papel aluminio. Vierta 50 ml / ¼ de taza de mezcla para untar sobre el brisket, dentro del envoltorio. Cierre el envoltorio.
8. Coloque el envoltorio cuidadosamente en el asador. Ahúme de 1 a 1 ½ horas.

9. Abra el envoltorio y use un termómetro de carne, la temperatura interna debe llegar a 91 °C / 195 °F. El brisket debe estar firme, pero debe poder desmenuzarse la carne con sus dedos.
10. Transfiera la carne a una tabla de cortar y déjela reposar por 10 minutos. Corte rebanadas delgadas contra el grano para servirlo.

SALCHICHA CON CHUTNEY DE MANGO

Rinde 4 - 6 porciones

Ingredientes:

2	mangos (picados)
0.9 kg / 2 lbs	salchicha italiana (picante o suave)
10 ml / 2 c.	perejil fresco (molido)
15 ml / 1 C.	pimiento rojo (en cubos)
10 ml / 2 c.	miel
½	cebolla roja (en cubos)
½ bulbo	hinojo (en cubos)
5 ml / 1 c.	Jugo de lima
Pizca	sal

Suggested Wood Pellet Flavor: Hickory / Competition

Instrucciones:

1. **Precaliente el asador, y luego reduzca a BAJO-MEDIO (27-107 °C / 180- 225 °F)**
2. Coloque las salchichas en el asador, con una separación regular. Voltéelas cada diez minutos para asar todos los lados.
3. Combine los demás ingredientes para preparar el chutney. Enfríe hasta que esté listo para servir.
4. Deslice las salchichas asadas en diagonal, y sirva acompañadas de chutney.

BISTEC CON QUESO AZUL

Makes 4 Servings

Ingredientes:

4	Bistecs, T-bone o Rib-Eye 2.54cm / 1 pulg. de grosor 0.28-0.62 kg / 10-12 onzas cada uno
113 g / 4 oz.	queso azul (desmenuzado)
50 ml / ¼ tz.	Cebolla verde (en rebanadas delgadas)

Sabor de pellets de madera sugerido: Nogal / Competencia / Whiskey

Instrucciones:

1. **Precaliente el asador, y luego déjelo o redúzcalo ligeramente (204-260 °C / 400-500 °F).**
2. Quite el exceso de grasa de la carne y deséchelo.
3. Coloque los bistecs en la parrilla. Marque los dos lados, volteándolos cada pocos minutos.

4. **Reduzca la temperatura a 135 °C/275 °F o a 163 °C/ 325 °F.** Voltee los bistecs por última vez. Mezcle el queso azul y las cebollas. Espolvoree sobre los bistecs, cierre la tapa del asador y áselos hasta el término deseado. Revise el grado de cocción haciendo un corte en la carne cerca del hueso.

Variación: MÉTODO DE SELLADO INVERSO

Configure el asador a modo de AHUMADO, y coloque los bistecs en la parrilla. Ahúme a 82°C / 180°F de 5 a 15 minutos. Una vez ahumados al término deseado, vuelva a elevar la temperatura del asador a ALTA y marque los bistecs a su gusto.

COSTILLAS BBQ

Rinde 4 - 6 porciones

Ingredientes:

1.3-1.8 kg / 3-4 lbs	Costillas <small>Costillas de cerdo cargadas o costillas de lomo</small>
45 ml / 3 C.	aceite
5 ml / 1 c.	sal
5 ml / 1 c.	pimienta
2 enteras	cebollas (picadas)
30 ml / 2 C.	vinagre
30 ml / 2 C.	salsa Worcestershire
125 ml / ½ tz.	Jugo o refresco de manzana
5 ml / 1 c.	paprika
5 ml / 1 c.	chile en polvo

Sabor de pellets de madera sugerido: Nogal / Competencia / Manzano

Instrucciones:

1. **Precalente el asador, y luego reduzca a SMOKE (Ahumar) o a temperatura baja (82-107 °C / 180-225 °F).**
2. Prepare las costillas quitando la capa de piel dura en la parte trasera. Sazone las costillas con sal y pimienta al gusto.
3. Coloque las costillas en el asador, con una separación regular. Ahúme de 3 a 4 horas.
4. Mezcle los demás ingredientes en una charola y póngalos a hervir. Deje hervir la salsa cinco minutos hasta que se espese.
5. Sáquela del asador. **Suba la temperatura del asador a 176 °C / 350 °F.**
6. Coloque cada costillar en un envoltorio hecho de dos capas de papel aluminio. Vierta 50 ml / ¼ de taza de salsa sobre las costillas, dentro del envoltorio. Cierre el envoltorio.
7. Coloque el envoltorio cuidadosamente en el asador. Ahúme de 1 a 1 ½ horas.
8. Abra el envoltorio. La carne habrá expuesto los extremos de las costillas y estará muy tierna. **Ponga el asador en ALTO (260 °C / 500 °F).** Vuelva a colocar las costillas en la parrilla y úntelas con la salsa por ambos lados.
9. Cuando la salsa esté caramelizada y las costillas estén pegajosas, sáquelas del asador y síralas.

Variación: MÉTODO "MEMPHIS DRY"

Ponga el asador en ALTO (260 °C / 500 °F). Vuelva a colocar las costillas en la parrilla y sazónelas con un sazónador o aliño seco. Marque las costillas, sáquelas del asador y síralas.

HAMBURGUESAS JUGOSAS DE MAMÁ

Rinde 4 - 6 porciones

Ingredientes:

900 g / 2 lbs	Carne molida de res o búfalo
15 ml / 3 c.	sazonador
2 enteros	huevos, a temperatura ambiente
500 ml / 2 tz.	migajas de pan (secas, finas)
6 - 8	panes para hamburguesa / panecillos Kaiser
6 - 8 rebanadas	queso (en rebanadas delgadas)
30 ml / 2 C.	mantequilla

Sabor de pellets de madera sugerido: Nogal / Competencia

Instrucciones:

1. **Precalente el asador, y luego déjelo o redúzcalo ligeramente (204-260 °C / 400-500 °F).**
2. Combine la carne, el sazónador, los huevos y las migajas de pan en un tazón para mezclar y revuelva bien. Divida la carne en porciones y forme hamburguesas de tamaño y forma similares a los panes. Haga hamburguesas de alrededor de 1.9 cm / ¾ pulg. de grosor.
3. Coloque las hamburguesas en el asador. Ase seis minutos por cada lado, cuidando de no presionar la carne. Pruebe si están bien cocidas con un termómetro para carne; la temperatura interna debe alcanzar 71°C / 160°F. La carne puede ponerse rosada por fuera debido al humo.
4. En los últimos minutos de cocción, aplique mantequilla con un pincel a los panes y tuéstelos ligeramente en la parrilla.
5. Saque los panes y las hamburguesas cuando estén listas. Complemente las hamburguesas con queso derretido y sirva.

CONSEJO: Una carne ligeramente más grasosa resulta en una hamburguesa más jugosa. Como una alternativa magra, pruebe la carne molida de búfalo.

BISTEC DE SIRLOIN CON CEBOLLAS DULCES Y PIMIENTOS

Rinde 4 porciones

Ingredientes:

2	Bistecs, Top Sirloin 1 pulg. de grosor, cortados en 4 piezas 0.45kg/1 lb
10 ml / 2 c.	sazonador o aliño
5 medianas	cebollas dulces (picadas grueso)
2 enteros	pimientos (de cualquier tipo, picados)
60 ml / 4 C.	salsa de soya
60 ml / 4 C.	aceite de oliva
Pizca	sal

Sabor de pellets de madera sugerido: Nogal / Mezquite / Whisky

Instrucciones:

1. **Pre caliente el asador, y luego reduzca la temperatura ligeramente a 218°C / 425°F.**
2. Sazone ambos lados de los bistecs con el sazónador o aliño. Cubra y refrigere al menos 1 hora.
3. Coloque las cebollas y los pimientos en una bandeja cubierta de papel aluminio. Mezcle la salsa de soya y el aceite de oliva, y rocíe la mezcla sobre la bandeja. Espolvoree con sal. Selle por completo el paquete de papel aluminio.
4. Coloque el paquete en el asador durante 10 a 15 minutos o hasta que las verduras estén suaves y tiernas. Saque el paquete del asador y manténgalo cerrado.
5. Coloque los bistecs en la parrilla. Marque los dos lados, volteándolos cada pocos minutos.
6. Áselos hasta el término deseado, y luego sáquelos del asador. Coloque en platos para servir y cúbralos con las verduras calientes.

GALLINAS DE CORNUALLES CON ARROZ MANDARÍN

Rinde 4 porciones

Ingredientes:

4 enteras	gallinas de Cornualles
750 ml / 3 tz.	arroz mandarín
15 ml / 1 C.	aceite de oliva
5 ml / 1 c.	paprika ahumada
250 ml / 1 tz.	mermelada de naranja

Arroz mandarín

59 ml / ¼ tz.	almendras (en rebanadas)
30 ml / 2 C.	apio (picado)
1 pequeña	cebolla verde (en rebanadas finas)
30 ml / 2 C.	mantequilla
1 lata	gajos de mandarina (drenada) 0.4 kg/11oz.
30 ml / 2 C.	jugo de naranja (concentrado)
500 ml / 2 tz.	arroz cocido

Sabor de pellets de madera sugerido: Nogal / Mezquite / Competencia

Instrucciones:

1. Prepare el arroz mandarín cociendo las almendras, el apio, la cebolla verde y la mantequilla en una sartén pequeña hasta que las almendras estén ligeramente tostadas. Combine la mezcla con los gajos de naranja, el jugo de naranja y el arroz cocido en un tazón, y déjela reposar.
2. **Pre caliente el asador, y luego reduzca a temperatura MEDIA (135-177 °C / 275-350 °F).**
3. Enjuague las gallinas de Cornualles y séquelas con toallas de papel. Rellene las gallinas con la mezcla de arroz y ate las patas con cordel. Aplique una capa ligera de aceite de oliva con brocha a las gallinas y espolvórelas con paprika.
4. Coloque las gallinas en el asador. Áselas de 45 a 60 minutos, hasta que la carne de la pierna esté tierna al presionarla.
5. Unte las gallinas con mermelada de naranja durante los últimos 20 minutos del tiempo de cocción. Saque las gallinas del asador y acomódelas en un plato para servir

CONSEJO: Si desea juntar los jugos para hacer gravy, coloque las gallinas en una bandeja de papel aluminio y añada suficiente agua o jugo para cubrir el fondo hasta unos 0.6 cm / ¼ pulg.

KEBABS DE CAMARÓN CON MANTEQUILLA DE CURRY

Rinde 4 porciones

Ingredientes:

900g / 2 lbs	camarones (pelados, sin venas)
125ml / ½ tz.	mantequilla de curry
15 ml / 1 C.	aceite de oliva
1	lima eneldo fresco

Mantequilla de curry

125 ml / ½ tz.	mantequilla
30 ml / 2 C.	Cebolla (picada)
15 ml / 1 C.	eneldo fresco
5 ml / 1 c.	curry en polvo
Pizca	ajo en polvo

Sabor de pellets de madera sugerido: Mezquite / Competencia

Instrucciones:

1. Remoje brochetas de madera en agua por 1 hora.
2. **Pre caliente el asador, y luego reduzca a 135-163°C / 275-325°F.**
3. Prepare la mantequilla de curry derritiendo mantequilla en una sartén pequeña a calor medio-alto. Incorpore la cebolla, el eneldo, el curry en polvo y el ajo en polvo. Deje cocer por cinco minutos y quite la sartén del calor.
4. Ensarte los camarones en brochetas, dejando espacio entre las piezas. Aplique una capa ligera de aceite de oliva con brocha.

- Coloque las brochetas en el asador, y áselas hasta que los camarones estén blancos y tiernos. Cosa los camarones rápidamente; tenga cuidado de no cocer demasiado. Voltee las brochetas de camarón una vez y aplique la mantequilla de curry con brocha a la mitad del tiempo de cocción.
- Acomode los camarones asados en un plato para servir. Acompañe con rodajas de lima y eneldo.

CONSEJO: Para ensartar un camarón de modo que quede derecho, sosténgalo estirado con una mano. Empiece por el extremo de la cola e inserte una brocheta de bambú o madera dentro del camarón de modo que atraviese toda su longitud. Siga enderezando el camarón con los dedos conforme avance.

CAMARÓN EN BROCHETA CON TOCINO Y ALBAHACA

Rinde 4 - 6 porciones

Ingredientes:

24 grandes camarones (pelados, sin venas)
 24 enteras hojas de albahaca fresca
 24 rebanadas tocino (en rebanadas delgadas)

Sabor de pellets de madera sugerido: Cerezo / Manzano

Instrucciones:

- Remoje brochetas de madera en agua por 1 hora.
- Precalente el asador, y luego reduzca a 135-163°C / 275-325°F.**
- Envuelva un camarón y una hoja de albahaca en una rebanada delgada de tocino, y luego ensártelo en la brocheta, dejando espacio entre los camarones.
- Coloque las brochetas en el asador, y áselas hasta que los camarones estén blancos y tiernos y el tocino esté dorado. Cosa los camarones rápidamente; tenga cuidado de no cocer demasiado. Voltee las brochetas con frecuencia para que no se quemem.
- Saque del calor y sirva

PAVO AHUMADO ENTERO

Rinde para un pequeño ejército - ¡las sobras están excelentes!

Ingredientes:

1 entero pavo (descongelado)
9-11.3 kg / 20-25 lbs
 60 ml / 4 C. sazónador
 5 ml / 1 c. paprika ahumada
 45 ml / 3 C. mantequilla

Sabor de pellets de madera sugerido: Nogal / Cerezo /

Competencia

Instrucciones:

- Precalente el asador, y luego reduzca la temperatura a 135-177 °C / 275-350 °.**
- Saque el pescuezo y los menudos del pavo. Enjuague el pavo abundantemente y seque la parte exterior dando golpecitos con toallas de papel.
- En un tazón pequeño mezcle la mantequilla, ¼ parte del sazónador y la paprika para formar una pasta. Inserte cuidadosamente su mano entre la piel exterior y la carne de la pechuga. Unte la pasta en la carne.
- Unte el sazónador restante en la superficie exterior del pavo.
- Coloque el pavo, con la pechuga hacia arriba, en el centro de la parrilla y áselo hasta que esté tierno y dorado; la temperatura interna debe llegar a 82 °C / 180 °F en la parte más gruesa del muslo y a 77 °C / 170 °F en la pechuga.
- Saque el pavo, cúbralo con papel aluminio y déjelo reposar por 10 minutos antes de cortarlo.

CONSEJO: Si quiere usar los jugos para hacer un gravy, coloque el pavo en la parrilla dentro de una bandeja de papel aluminio grande. Añada 0.6 cm / ¼ pulg. de agua o caldo y algo de sazónador en el fondo de la bandeja. Vigile los jugos, ya que quizá necesite añadir más durante la cocción.

POLLO DE LATA DE CERVEZA

Rinde 2 - 6 porciones

Ingredientes:

1 entero pollo
1.8-2.7 kg / 4-6 lbs
 1 lata cerveza, de cualquier tipo
 45 ml / 3 C. sazónador

Sabor de pellets de madera sugerido: Nogal / Manzano / Competencia

Instrucciones:

- Precalente el asador, y luego reduzca la temperatura a 135-177 °C / 275-350 °F.**
- Abra la lata y vierta la mitad de la cerveza en un vaso para beberla. Deje la mitad en la lata, y haga algunos agujeros adicionales en la parte superior de la lata para aumentar la ventilación. Añada ¼ del sazónador a la lata.
- Enjuague el pollo abundantemente y seque la parte exterior dando golpecitos con toallas de papel. Añada 1/4 del aliño dentro de la cavidad del pollo. Unte el sazónador restante en la superficie exterior del pollo.
- Inserte la lata vertical dentro de la cavidad del pollo, colóquelo en la parrilla y cierre la tapa del asador. Áselo hasta que el pollo esté dorado y crujiente; la temperatura interna debe llegar a 74 °C / 165 °F.
- Con unas tenazas saque cuidadosamente el pollo y la lata vertical del asador. Deje reposar por cinco minutos, y luego saque

cuidadosamente la lata de la cavidad del pollo. Tenga cuidado de no derramar el líquido, ya que estará caliente.

6. Corte el pollo y sívalo.

Variación: POLLO DE LATA DE CERVEZA NO ALCOHÓLICA

Use las mismas instrucciones anteriores, pero sustituya la lata de cerveza con una lata de su refresco no dietético favorito, jugo de fruta o agua con sazónador adicional.

POLLO SATAY FÁCIL

Rinde 2 - 6 porciones

Ingredientes:

450g / 1 lb Pechugas o muslos de pollo (sin huesos ni piel)
112 ml / ½ tz. Aderezo preparado ranch o italiano para ensalada
Pizca sal
Pizca pimienta

Sabor de pellets de madera sugerido: Manzano / Cerezo

Instrucciones:

1. Corte el pollo a lo largo en piezas de 0.63 cm / ¼ pulg. de grosor o ligeramente más grandes. Enjuague el pollo y séquelo dando golpecitos con toallas de papel.
2. Coloque las piezas de pollo en una bolsa de plástico con cierre. Añada aderezo de ensalada, sal y pimienta al gusto. Selle la bolsa y agítela con cuidado, cubriendo el pollo de manera uniforme. Coloque en el refrigerador de 1 a 2 horas, o toda la noche. Agite la bolsa una o dos veces para que el pollo se marine uniformemente.
3. Remoje brochetas de madera en agua por 1 hora antes de usarlas.
4. **Pre caliente el asador, y luego reduzca la temperatura ligeramente a 218°C / 425°F.**
5. Saque el pollo de la bolsa de plástico y tréncelo hacia adentro y afuera en las brochetas, como un moño.
6. Coloque las brochetas en el asador, y áselas hasta que el pollo esté blanco y firme. Voltee las brochetas con frecuencia para que no se quemen.
7. Saque del calor y sirva.

IMPORTANT

DO NOT RETURN PRODUCT TO STORE

FOR ALL QUESTIONS, COMMENTS, OR INQUIRIES, PLEASE CONTACT DANSONS DIRECTLY. OUR CUSTOMER SERVICE DEPARTMENT IS AVAILABLE MONDAY THROUGH SUNDAY, 4AM - 8PM PST (EN/FR/ES).

TOLL FREE: 1-877-303-3134 | TOLL FREE FAX: 1-877-303-3135

IMPORTANT

NE RETOURNEZ PAS LE PRODUIT AU MAGASIN

POUR TOUTES QUESTIONS, COMMENTAIRES OU DEMANDES DE RENSEIGNEMENTS, VEUILLEZ COMMUNIQUER AVEC DANSONS DIRECTEMENT. LE SERVICE À LA CLIENTÈLE EST OUVERT DU LUNDI AU DIMANCHE, DE 4 H À 20 H HP (ANG / FR / ES).

NUMÉRO SANS FRAIS : 1-877-303-3134 | TÉLÉCOPIEUR SANS FRAIS : 1-877-303-3135

¡IMPORTANTE!

NO DEVUELVA EL PRODUCTO A LA TIENDA

PARA LAS PREGUNTAS, COMENTARIOS O CONSULTAS, POR FAVOR CONTACTAR DANSONS DIRECTAMENTE. NUESTRO DEPARTAMENTO DE SERVICIO AL CLIENTE ESTÁ DISPONIBLE LUNES A VIERNES DE 4:00 A.M. A 8:00 P.M. TIEMPO DEL PACÍFICO.

LLAMADA GRATUITA: 1-877-303-3134 | FAX GRATUITO: 1-877-303-3135

SERVICE@PITBOSS-GRILLS.COM



780201022LWM

PITBOSS-GRILLS.COM

MADE IN CHINA | FABRIQUÉ EN CHINE | HECHO EN CHINA

⚠️ WARNING: THIS PRODUCT CAN EXPOSE YOU TO CHEMICALS INCLUDING WOOD DUST AND FORMALDEHYDE, WHICH IS KNOWN TO THE STATE OF CALIFORNIA TO CAUSE CANCER. COMBUSTION OF THIS PRODUCT CAN EXPOSE YOU TO CHEMICALS INCLUDING CARBON MONOXIDE, WHICH IS KNOWN TO THE STATE OF CALIFORNIA TO CAUSE BIRTH DEFECTS OR OTHER REPRODUCTIVE HARM. FOR MORE INFORMATION GO TO WWW.P65WARNINGS.CA.GOV

⚠️ AVERTISSEMENT: CE PRODUIT PEUT VOUS EXPOSER À DES PRODUITS CHIMIQUES INCLUANT LA POUSSIÈRE DE BOIS ET LE FORMALDÉHYDE, CONNU PAR L'ÉTAT DE CALIFORNIE POUR CAUSER LE CANCER. LA COMBUSTION DE CE PRODUIT PEUT VOUS EXPOSER À DES PRODUITS CHIMIQUES INCLUANT LE MONOXYDE DE CARBONE, CONNU PAR L'ÉTAT DE LA CALIFORNIE COMME CAUSANT DES ANOMALIES CONGÉNITALES OU AUTRES EFFETS NOCIFS SUR LA REPRODUCTION. POUR ACCÉDER À D'AUTRES INFORMATIONS, RENDEZ-VOUS À WWW.P65WARNINGS.CA.GOV

⚠️ ADVERTENCIA: ESTE PRODUCTO PUEDE EXPONERLO A PRODUCTOS QUÍMICOS INCLUYENDO POLVO DE MADERA Y EL FORMALDEHÍDO, QUE EL ESTADO DE CALIFORNIA SABE QUE PROVOCAN CÁNCER. LA COMBUSTIÓN DEL ESTE PRODUCTO PUEDE EXPONERLO A PRODUCTOS QUÍMICOS INCLUYENDO AL MONÓXIDO DE CARBONO, QUE EL ESTADO DE CALIFORNIA SABE QUE CAUSA DEFECTOS CONGÉNITOS Y OTROS DAÑOS REPRODUCTIVOS. PARA OBTENER MÁS INFORMACIÓN, VISITE WWW.P65WARNINGS.CA.GOV

