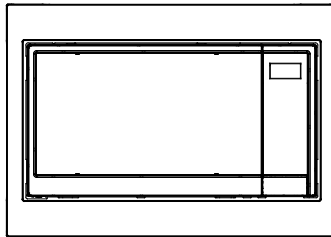




Microwave Oven

User Manual



Models:

SMB124

BEFORE USE, PLEASE READ AND FOLLOW ALL SAFETY RULES AND OPERATING INSTRUCTIONS

Model Number:

Serial Number:

Felix Storch, Inc.

ISO 9001:2015 registered company

770 Garrison Avenue

Bronx, NY 10474

www.summitappliance.com

CONTENT

IMPORTANT SAFETY INSTRUCTIONS	1
GROUNDING INSTRUCTIONS	2
INSTALLATION GUIDE	2
PRECAUTIONS TO AVOID POSSIBLE EXPOSURE TO EXCESSIVE MICROWAVE ENERGY	2
SPECIFICATIONS	3
PART NAMES	3
COOKING UTENSILS GUIDE	4
CONTROL PANEL	5
OPERATION INSTRUCTIONS	6 - 10
CLEANING AND CARE	11
LIMITED WARRANTY	14

IMPORTANT SAFETY INSTRUCTIONS

WARNING! To reduce the risk of burns, electric shock, fire, injury or exposure to excessive microwave energy:

1. Read all instructions before using the appliance.
2. Read and follow the **PRECAUTIONS TO AVOID POSSIBLE EXPOSURE TO EXCESSIVE MICROWAVE ENERGY** section.
3. This appliance must be grounded. Connect only to a properly grounded outlet. See the **GROUNDING INSTRUCTIONS** section.
4. Do not operate the oven when empty.
5. Install this appliance only in accordance with the **INSTALLATION INSTRUCTIONS** provided.
6. Some products such as whole eggs and sealed containers (e.g. closed glass jars) can explode and should not be heated in this oven.
7. Use this appliance only for its intended use as described in this manual. Do not use corrosive chemicals or vapors in this appliance. This type of oven is specifically designed to heat, cook, or dry food. It is not designed for industrial or laboratory use.
8. **HOT CONTENTS CAN CAUSE SEVERE BURNS. DO NOT ALLOW CHILDREN TO USE THE MICROWAVE.** Use caution when removing hot items.
9. To reduce the risk of fire in the oven cavity:
 - a) Do not overcook food. Carefully attend appliance when paper, plastic, or other combustible materials are placed inside the oven to facilitate cooking.
 - b) Remove wire twist-ties from paper or plastic bags before placing bag in oven.
 - c) If materials inside the oven should ignite, keep oven door closed, turn oven off, and disconnect the power cord or shut off power at the fuse or circuit breaker panel.
 - d) Do not use the cavity for storage purposes. Do not leave paper products, cooking utensils, or food in the cavity when not in use.
10. Liquids, such as water, coffee, or tea can overheat beyond the boiling point without appearing to be boiling due to surface tension of the liquid. Visible bubbling or boiling when the container is removed from the microwave oven is not always present. **THIS COULD RESULT IN VERY HOT LIQUIDS SUDDENLY BOILING OVER WHEN A SPOON OR OTHER UTENSIL IS INSERTED INTO THE LIQUID.** To reduce the risk of injury to person:
 - a) Do not overheat the liquid.
 - b) Stir the liquid both before and halfway through heating it.
 - c) Do not use straight-sided containers with narrow necks.
 - d) After heating, allow the container to stand in the microwave oven for a short time before removing the container.
 - e) Use extreme care when inserting a spoon or other utensil into the container.
11. Do not heat oil or fat for deep-frying. It is difficult to control the temperature of oil in microwave oven.
12. Do not cover or block any openings on the appliance.
13. Do not store or use this appliance outdoors. Do not use this product near water, (e.g. near a kitchen sink, in a wet basement, near a swimming pool, or similar locations).
14. Do not operate this appliance if it has a damaged cord or a plug, if it is not working properly, or if it has been damaged or dropped.
15. Do not immerse cord or plug in water. Keep cord away from heated surface. Do not let cord hang over edge of table or counter.
16. This appliance should be serviced only by qualified service personnel, contact nearest authorized service facility for examination, repair, or adjustment.
17. When cleaning surfaces of door and oven that comes together on closing the door, use only mild, nonabrasive soaps, or detergents applied with a sponge or soft cloth.
18. This equipment has been tested and found to comply with Part 18 of the FCC Rules. Operation is subject to the following two conditions: (1) This device may not cause harmful interference, and (2) this device must accept any interference received, including interference that may cause undesired operation.

CAUTION: Changes or modifications not expressly approved by the party responsible for compliance could void the user's authority to operate the product.
19. This equipment generates, uses and can radiate radio frequency energy and, if not installed and used in accordance with the instructions, may cause harmful interference to radio communications. However, there is no guarantee that interference will not occur in a particular installation. If this equipment does cause harmful interference to radio or television reception, which can be determined by turning the equipment off and on, the user is encouraged to try to correct the interference by one or more of the following measures:
 - Reorient or relocate the receiving antenna.
 - Increase the separation between the equipment and receiver.
 - Connect the equipment into an outlet on a circuit different from that to which the receiver is connected.
 - Consult the dealer or an experienced radio/TV technician for help.

SAVE THESE INSTRUCTIONS

GROUNDING INSTRUCTIONS

This appliance must be grounded. In the event of an electrical short circuit, grounding reduces risk of electric shock by providing an escape wire for the electric current. This appliance is equipped with a cord having a grounding wire with a grounding plug. The plug must be plugged into an outlet that is properly installed and grounded.

WARNING! Improper use of the grounding plug can result in a risk of electric shock.

Consult a qualified electrician or serviceman if the grounding instructions are not completely understood, or if doubt exists as to whether the appliance is properly grounded, and if it is necessary to use an extension cord, use only a 3-wire extension cord that has a 3-blade grounding plug and a 3-slot receptacle that will accept the plug on the appliance. The marked rating of the extension cord shall be equal to or greater than the electrical rating of the appliance.

ELECTRICAL REQUIREMENTS

The electrical requirements are a 120 volt 60 Hz, AC only, 20 amp. It is recommended that a separate circuit serving only the oven be provided. The oven is equipped with a 3-prong grounding plug. It must be plugged into a wall outlet properly installed and grounded.

POWER CORD

1. A short power supply cord is provided to reduce the risks resulting from becoming entangled in or tripping over a longer cord.
2. Longer cord sets or extension cords are available and may be used if care is exercised in their use.
3. If long cord or extension cord is used:
 - a) The marked electrical rating of the cord set or extension cord should be at least as great as the electrical rating of the appliance.
 - b) The extension cord must be a grounding-type 3-wire cord, and The longer cord should be arranged so that it will not drape over the counter top or table top where it can be pulled on by children or tripped over unintentionally.

INSTALLATION GUIDE

1. Make sure that all the packing materials are removed from the inside of the door.
2. This microwave oven must be placed on a flat.
3. Do not operate the oven without glass tray, roller support, and shaft in their proper positions.
4. Make sure that the power cord is undamaged and does not run under the oven or over any hot or sharp surface.
5. The socket must be readily accessible so the microwave oven can be easily unplugged in an emergency.

PRECAUTIONS TO AVOID POSSIBLE EXPOSURE TO EXCESSIVE MICROWAVE ENERGY

1. Do not attempt to operate this oven with the door open since open-door operation can result in harmful exposure to microwave energy. It is important not to defeat or tamper with the safety interlocks.
2. Do not place any object between the oven's front face and the door or allow soil or cleaner residue to accumulate on sealing surfaces.
3. Do not operate the oven if it is damaged. It is very important that the oven door closes properly and that there is no damage to the
 - a) Door (including any bent)
 - b) Hinges and latches (broken or loosened)
 - c) Door seals and sealing surfaces.
4. The oven should not be adjusted or repaired by anyone except qualified service personnel.

SPECIFICATIONS

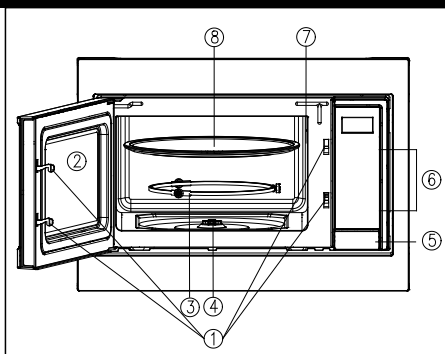
Output	1000W
Operation Frequency	2450 MHz
Outside Dimensions(H x W x D)	17" × 24 ³ / ₁₆ " × 18 ¹⁵ / ₁₆ "
Oven Capacity	1.2 cu. ft.
Net Weight	Approx 36.4lbs

PART NAMES

1. Door Safety Lock System
2. Oven Window
3. Roller Ring
4. Shaft
5. Door Release Button
6. Control Panel
7. Wave Guide

DO NOT remove the mica plate covering the wave guide

8. Glass Tray



COOKING UTENSILS GUIDE

This section lists which utensils can be used in this microwave, which have limited use for short periods, and which should not be used in this microwave.

RECOMMENDED

- **MICROWAVE BROWNING DISH** — Use to brown the exterior of small items such as steaks, chops, or pancakes. Follow the directions provided with your browning dish.
- **MICROWAVEABLE PLASTIC WRAP** — Use to retain steam. Leave a small opening for some steam to escape and avoid placing it directly on the food.
- **PAPER TOWELS AND NAPKINS** — Use for short-term heating and covering; these absorb excess moisture and prevent spattering. **Do not use recycled paper towels**, which may contain metal and could ignite.
- **GLASS AND GLASS-CERAMIC BOWLS AND DISHES** — Use for heating or cooking.
- **PAPER PLATES AND CUPS** — Use for short-term heating at low temperatures. **Do not use recycled paper**, which may contain metal and could ignite.
- **WAX PAPER** — Use as a cover to prevent spattering.
- **THERMOMETERS** — Use only those labeled "Microwave Safe" and follow all directions. Check the food in several places. Conventional thermometers may be used on microwave food once the food has been removed from the oven.

LIMITED USE

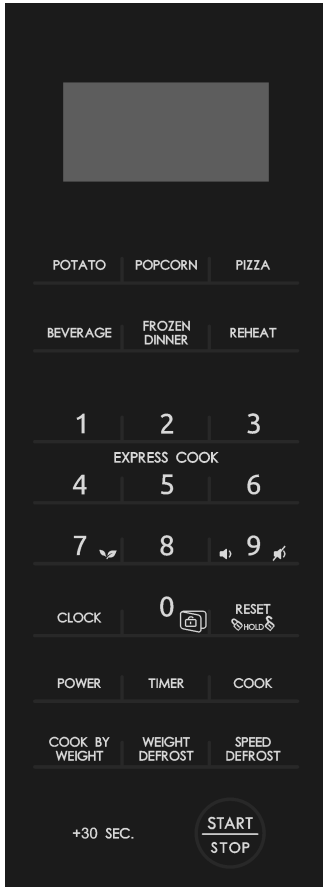
- **ALUMINUM FOIL** — Use narrow strips of aluminum foil to shield certain areas of food from overcooking. However, use caution: too much foil can cause arcing and damage the microwave. Always ensure that the foil is kept at least 1 inch (2.54 cm) away from the oven walls and ceiling.
- **CERAMIC, PORCELAIN, AND STONWARE** — Use if they are labeled "Microwave Safe". If they are not labeled, test them to make sure they can be used safely.
- **PLASTIC** — Use only if labeled "Microwave Safe". Other plastics can melt.

NOT RECOMMENDED

- **GLASS JARS AND BOTTLES** — Glass is too thin and can shatter, causing damage and injury.
- **PAPER BAGS** — Paper bags in the microwave pose a fire hazard. Popcorn bags are an exception and are designed for microwave use.
- **STYROFOAM PLATES AND CUPS** — These may melt and leach chemicals into food.
- **PLASTIC STORAGE AND FOOD CONTAINERS** — Containers such as margarine tubs and takeout containers may warp or melt.
- **METAL UTENSILS** — Metal utensils can damage your oven. Always remove metal before cooking.

Note: Should you wish to check if a dish is safe for microwaving, place the empty dish in the oven and microwave on HIGH for 30 seconds. A dish which becomes very hot should not be used.

CONTROL PANEL



DISPLAY SCREEN

Time, power and indicators are displayed.

AUTO COOK MENUS

Instant settings to cook common foods.

NUMBER BUTTONS (0-9)

- Press to set time, food weight, or servings.
- Press number buttons (**1 – 6**) to set express cooking.
- Press **0** to set electromagnetic lock.
- Press **7** to set power saving function
- Press **9** to set mute function

CLOCK

Press to set time on the clock.

RESET

Clear all previous settings before cooking.
It is also used to set the child lock function.

POWER

Press to select the power level.

TIMER

Press to set timer function.

COOK

Press to set cooking program.

COOK BY WEIGHT

Press to cook food based on weight.

WEIGHT DEFROST

Press to defrost food based on weight.

SPEED DEFROST

Press to defrost food based on time.

+ 30 SEC.

- Press repeatedly to set the cooking time and start immediately at full power
- Press to add cooking time.

START/STOP

Press to start and stop cooking process.

OPERATION INSTRUCTIONS

Initial Power-On:

When the oven is first plugged in, a beep will sound, and the display screen will flash [1:01] and [CLOCK]. The system will return to standby mode if nothing is pressed within 30 seconds.

During Cooking:

- To pause cooking press, **START/STOP**.
- To resume press, **START/STOP** again.
- To cancel cooking while paused, press **RESET**.

After Cooking Is Complete:

- The display will show [0000].
- A beep will sound every two minutes until a button is pressed, or the door is opened.

Valid & Invalid Operation:

- Press a valid action button and the oven will beep once to confirm.
- Press an invalid button and the oven will beep twice to indicate that the action is not recognized.

Child Safety Lock Function:

- **To activate while in standby mode:**
 1. Press and hold **0** for 2 seconds, the display screen will show [U-O].
 2. Press **7**, then press **9**. The display screen will show [L-F].

After 1 second, the system will return to standby mode, and the lock will activate.

- **To deactivate while in standby mode:**
 1. Press and hold **0** for 2 seconds, the display screen will show [L-F].
 2. Press **7**, then press **9**. The display screen will show [U-O].

After 1 second, the system will return to standby mode, and the lock will deactivate.

NOTE:

- If the lock is not set within **10 seconds**, the setup will be unsuccessful, and the oven will return to **standby mode**.
- The lock is **enabled by default** and will remain **unchanged after a power outage**.
- When the lock is **deactivated**, the door can be **opened and closed normally**.

Using the Safety Lock Function:

A. In Standby Mode:

The oven door can be opened and closed normally.

B. During Cooking:

During the cooking process, the door is locked and cannot be opened.

1. Press **0** or **START/STOP** to pause cooking and deactivate the lock function.
2. If the door remains closed, the lock will:
 - Reactivate automatically after **10 seconds**.
 - Deactivate automatically after **30 minutes**.
3. Press **0**, then open the door.

The lock will not need to be reactivated until the next cooking cycle.

C. Cooking Process Ends:

Once cooking is complete, the oven will beep four times and the screen will flash **[0000]** and **[L-F]**

1. Press **0** to deactivate the lock function.
2. If the door remains closed, the lock will:
 - Reactivate automatically after **10 seconds**.
 - Deactivate automatically after **30 minutes**.
3. Press **0**, then open the door. The lock will not need to be reactivated until the next cooking cycle.
4. Press **RESET**, and the screen will display **[L-F]**

If no action is taken, the display will show **[Loc]** after 30 seconds. After 30 minutes or if the door is opened, the oven will return to standby mode, and the display will show the time.

NOTE: If the lock is already deactivated, pressing **0** will only make an error sound.

Setting the Clock:

The clock can be set in a 12- or 24-hour cycle. While in standby mode:

1. Press **CLOCK** once to select a 12- hour cycle.
2. Press **CLOCK** again to select a 24- hour cycle.
3. Use the number pad to set the time.
4. Press **CLOCK** or **START/STOP** to confirm.

NOTE: To display the time while cooking, press **CLOCK**.

Setting the Timer:

1. Press **TIMER**.
2. Use the number pad to set the timer (maximum: 99 minutes and 99 seconds)
3. Press **START/STOP** to confirm.

NOTE: The oven will beep when the countdown ends. Press **TIMER** to display the countdown for 5 seconds. Press **RESET** when the countdown is displayed to cancel.

Express Cooking:

In standby mode, press a number from 1 to 6 to start cooking for 1 to 6 minutes, respectively, at full power.

+30 Sec. Function:

Use this feature to cook food at 100% power.

- In standby mode, press **START/+30 SEC.** to begin cooking for 30 seconds at full power.
- During cooking, press **START/+30 SEC.** to increase 30 seconds with each press
- The cooking time can be increased up to a maximum of 99 minutes and 99 seconds.

NOTE: This function does not work when using auto cook, cook by weight, weight defrost, or speed defrost.

Microwave Cooking:

1. In standby mode, press **POWER** repeatedly to select power level.
2. Use number pad to enter the cooking time. (maximum: 99 minutes and 99 seconds)
3. Press **START/STOP** to confirm.

Press **POWER** to select power level:

Press POWER	Power (Display)	Press POWER	Power (Display)
Once	100% (P100)	7 times	40% (P-40)
Twice	90% (P-90)	8 times	30% (P-30)
3 times	80% (P-80)	9 times	20% (P-20)
4 times	70% (P-70)	10 times	10% (P-10)
5 times	60% (P-60)	11 times	0% (P-00)
6 times	50% (P-50)		

NOTE: During cooking, you can check the current cooking power level by pressing **POWER**.

Speed Defrost:

1. Press **SPEED DEFROST**.
2. Use number pad to enter defrosting time. (maximum of 99 minutes and 99 seconds)
3. Press **START/STOP** to confirm.

NOTE: The oven will pause during defrosting and beep to remind you to turn the food. After turning, close the door and press **START/STOP** to resume.

Weight Defrost:

1. Press **WEIGHT DEFROST**.
2. Use the number pad to enter the weight. (The weight ranges from 4 oz to 64 oz.)
3. Press **START/STOP** to confirm.

NOTE: During cooking, the system will pause and sound beep to remind user to turn food over, and then press **START/STOP** to resume.

Cook by Weight:

1. Press **COOK BY WEIGHT**.
2. Use the number buttons (1 - 3) to select the food code.

Code	Food	Weight
1	Beef	4 - 96 oz
2	Mutton	4 - 96 oz
3	Pork	4 - 72 oz

3. Use number pad to enter the weight.
4. Press **START/STOP** to confirm.

NOTE: During cooking, the system will pause and sound beep to remind user to turn food over, and then press **START/STOP** to resume.

Multistage Cooking:

Your oven can be programmed for up to 3 automatic cooking sequences.

These can include a combination of Speed Defrost with one or two microwave cooking programs, or two microwave cooking programs. Speed Defrost can only be set as the first stage.

A. Speed defrost with one or two-stage microwave cooking programs:

1. Place the food in the oven, then close the door.
2. Press **SPEED DEFROST**.
3. Use number pad to enter the defrosting time.
4. Press **COOK**.
5. Enter the first microwave cooking program. (Do not press **START/STOP** yet).
6. Press **COOK**.
7. Enter the second microwave cooking program.
8. Press **START/STOP** to begin.

NOTE: Steps 6 and 7 are not necessary if you just need one microwave cooking program.

B. Two-stage microwave cooking programs:

Some recipes require different stages of cooking at different temperatures.

1. Enter the first microwave cooking program. (Do not press **START/STOP** yet.)
2. Press **COOK**.
3. Enter the second microwave cooking program.
4. Press **START/STOP** to begin.

Auto Cook:

For the following foods or cooking modes, you don't need to program the cooking time or power. Select the food type and set the weight or servings.

1. In standby mode, press the corresponding menu button once or repeatedly to set food weight or servings.
2. Press **START/STOP** to begin.

Auto Cook Menu:

Food	Note
Potato (8 oz/serving, 1-2 servings)	The results of auto cook may vary based on factors such as the shape and size of the food, your personal preference for doneness, and how the food is positioned in the oven. If the result isn't quite to your liking, feel free to adjust the cooking time as needed.
Popcorn (3.5 oz)	
Pizza (6 oz, 11 oz, 16 oz)	
Beverage (200 ml/cup, 1-3 cups)	
Frozen Dinner (9 oz, 18 oz)	
Reheat (7 oz-28 oz)	

Mute Function:

- **To Activate:**

In any mode (except Child Lock), press and hold **9** for 3 seconds. The display will show **[OFF]** for 3 seconds, and the oven will enter mute mode.

- **To Deactivate:**

In standby mode, press and hold **9** for 3 seconds. A beep will sound, and the display will show **[ON]** for 3 seconds. The mute function is now turned off.

Power Saving:

- **To Activate:**

In standby mode, press and hold **7** for 3 seconds. A beep will sound and the display will turn off. The oven will enter power saving mode.

To wake up the display, press any button and then open or close the door. If there is no operation within 10 seconds, the display screen will turn off.

- **To Deactivate:**

While in power saving mode, press and hold **7** for 3 seconds. A beep will sound, and the oven will return to normal operation.

Button Adhesion Protection:

In any mode, if any button on the control panel is held for 1 minute, the program stops working immediately, the screen will display **[FAIL]** and the oven will beep. If the button continues to be held, the beep will sound once a minute. During this time, none of the buttons will function. After troubleshooting, press **RESET** to return to standby mode.

CLEANING AND CARE

1. **Turn off the oven and unplug** the power cord from the wall when cleaning.
2. **Keep the inside of the oven clean.** Wipe food splatters or spilled liquids off the oven walls with a damp cloth. Mild detergents may be used for stubborn dirt. Avoid harsh cleaners or sprays. They can damage or stain the door surface.
3. **The outside of the oven should be cleaned with a damp cloth.** To prevent damage to the operating parts inside the oven, water should not be allowed to seep into the ventilation openings.
4. **Wipe the door and window on both sides.** Wipe the door, window, seals, and adjacent areas frequently with a damp cloth. Do not use abrasive cleaner.
5. **Keep the control panel dry.** Clean with a soft, damp cloth. Leave oven door open to prevent the oven from accidentally turning on.
6. **If steam gathers on the door,** wipe with a soft cloth. This is normal, especially in high-humidity conditions.
7. **Remove the glass tray periodically** and clean it with warm soapy water or in a dishwasher.
8. **Clean the roller ring and oven floor regularly to reduce noise.** Wash the roller ring in mild, soapy water or a dishwasher. Reinstall the roller ring properly after cleaning.
9. **To eliminate odors,** microwave a cup of water with lemon juice and it's peel for 5 minutes. Wipe the interior and dry with a soft cloth.
10. **If the light bulb burns out,** please contact customer service to have it replaced.
11. **Clean the oven regularly and remove food deposits** to maintain performance and extend the unit's life. Failure to do so could lead to surface deterioration and safety issues.
12. **Do not dispose of this appliance with household waste.** Please take it to a designated disposal center.

NOTES

LIMITED WARRANTY

90 DAY LIMITED WARRANTY

Warranty coverage is available within the 48 contiguous United States, along with select areas of Alaska, Hawaii, and Canada. For locations not covered, consumers can either contact a local provider or coordinate with Felix Storch, Inc. to find nearby service options, which may qualify for partial reimbursement.

The warranty for this appliance is valid for 90 days from the date of purchase, provided the appliance is operated and maintained according to the instructions included with the product. The warrantor will cover the cost of factory-specified parts and repair labor needed to correct defects in materials or workmanship. Service must be performed by a designated service company.

All parts are warranted for 90 days against manufacturing defects. Plastic parts, shelves, and cabinets are produced to commercially acceptable standards but are not covered for damages incurred during handling or for breakage.

ITEMS WARRANTOR WILL NOT PAY FOR:

1. Service calls to correct the installation of your appliance, to instruct you how to use your appliance, to replace or repair fuses or to correct wiring or plumbing.
2. Service calls to repair or replace appliance light bulbs or broken shelves. Consumable parts (such as filters) are excluded from warranty coverage.
3. Damage resulting from accident, alteration, misuse, abuse, fire, flood, acts of God, improper installation, installation not in accordance with electrical or plumbing codes, or use of products not approved by warrantor.
4. Replacement parts or repair labor costs for units operated outside the 48 contiguous United States, along with select areas of Alaska, Hawaii, and Canada.
5. Repairs to parts or systems resulting from unauthorized modifications made to the appliance.
6. Expenses for travel and transportation for product service in remote locations.
7. The removal and reinstallation of your appliance if it is installed in an inaccessible location or is not installed in accordance with published installation instructions.

DISCLAIMER OF IMPLIED WARRANTIES; LIMITATION OF REMEDIES

CUSTOMER'S SOLE AND EXCLUSIVE REMEDY UNDER THIS LIMITED WARRANTY SHALL BE PRODUCT REPAIR AS PROVIDED HEREIN. IMPLIED WARRANTIES, INCLUDING WARRANTIES OF MERCHANTABILITY OR FITNESS FOR A PARTICULAR PURPOSE, ARE LIMITED TO ONE YEAR. WARRANTOR SHALL NOT BE LIABLE FOR INCIDENTAL OR CONSEQUENTIAL DAMAGES. SOME STATES DO NOT ALLOW THE EXCLUSION OR LIMITATION OF INCIDENTAL OR CONSEQUENTIAL DAMAGES, OR LIMITATIONS ON THE DURATION OF IMPLIED WARRANTIES OF MERCHANTABILITY OR FITNESS, SO THESE EXCLUSIONS OR LIMITATIONS MAY NOT APPLY TO YOU. THIS WARRANTY GIVES YOU SPECIFIC LEGAL RIGHTS AND YOU MAY ALSO HAVE OTHER RIGHTS, WHICH VARY FROM STATE TO STATE.



WARNING: This product can expose you to chemicals including Nickel (Metallic) which is known to the State of California to cause cancer.

For more information go to www.P65Warnings.ca.gov

Note: Nickel is a component in all stainless steel and some other metallic compositions.

If you experience any issues with your appliance, please contact our Customer Service facility at **800-932-4267 (Ext. 513)** between 9:00 AM and 5:00 PM ET or visit our website **summitappliance.com/support** at any time.

We will do our best to answer your questions.



Felix Storch, Inc.
An ISO 9001:2015 registered company
770 Garrison Ave
Bronx, New York 10474
www.summitappliance.com

Revised: 2025-10-22