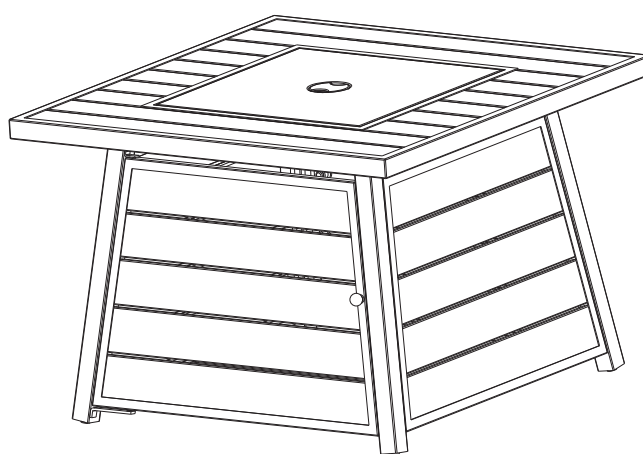


BACKYARD Creations®

36" VESTAVIA FIRE PIT

Sku# 259-5309 Style# FHTS80543



⚠ WARNING
FOR YOUR SAFETY:

For Outdoor Use Only (outside, non-enclosed area). Do Not Use For Cooking. Installation and service must be performed by a qualified installer, service agency, or the gas supplier.

⚠ WARNING
FOR YOUR SAFETY:

⚠ If the information in this manual is not followed exactly, a fire or explosion may result causing property damage, personal injury or loss of life.

- ⚠ WHAT TO DO IF YOU SMELL GAS:
- Do NOT try lighting any appliance.
 - Do NOT touch any electrical switch; do NOT use any phone in your building.
 - Immediately call your gas supplier from a neighbor's phone.
 - Follow the gas supplier's instructions.
 - If you cannot reach your gas supplier, call the fire department.

⚠ Installation and service must be performed by a qualified installer, service agency or gas supplier.

⚠ INSTALLER: Leave this manual with the appliance.

⚠ CONSUMER: Retain this manual for future reference.

If you are assembling this unit for someone else, give this manual to him or her to read and save for future reference.

⚠ WARNING
FOR YOUR SAFETY:

⚠ Improper installation, adjustment alteration, service or maintenance can cause injury or property damage.

⚠ Read the installation, operation and maintenance instructions thoroughly before installing or servicing this equipment.

⚠ DANGER



CARBON MONOXIDE HAZARD

- This appliance can produce carbon monoxide which has no odor.
- Using it in an enclosed space can kill you.
- Never use this appliance in an enclosed space such as a camper, tent, car or home.

⚠ DANGER
FIRE OR EXPLOSION HAZARD

If you smell gas:

1. Shut off gas to appliance.
2. Extinguish any open flame.
3. If odor continues leave the area immediately.
4. After leaving the area, call your gas supplier or fire department.

Failure to follow these instructions could result in fire or explosion, which could cause property damage, person injury, or death.

⚠ WARNING

1. Do NOT store or use gasoline or other flammable vapors or liquids in the vicinity of this or any other appliance.
2. Any LP-cylinder not connected for use shall not be stored in the vicinity of this or any other appliance.

IF YOU HAVE ANY QUESTIONS OR CONCERNS PLEASE CALL US
TOLL FREE AT 1-866-905-4107
MONDAY-FRIDAY 8:30 AM TO 5:00 PM PACIFIC TIME / 11:30 AM
TO 8:00 PM EASTERN TIME.



US
ANS Z21.97-2017 • CSA
2.41-2017, Outdoor Decorative Gas
Appliances.

Warranty

1 YEAR LIMITED FRAME WARRANTY.

WHAT IS COVERED

We warrant the frames to be free of manufacturing defects to the original purchaser for one year limited warranty.

WHAT IS NOT COVERED

It remains the customer's responsibility for freight and packaging charges to and from our service center. This warranty does not cover commercial use, hardware, acts of nature, fire, freezing and abusive use. In addition, purchased parts are not covered under this warranty. We reserve the right to make substitutions with similar merchandise, if the model in question is no longer in production.

WARNING

For your own safety, and to reduce the risk of serious personal injury, the user must read and understand this Use and Care Guide, and assemble each piece only in accordance with these instructions and with the parts and hardware included with the original packaging. Failure to follow these instructions and/or use of tools or hardware not included in the original packaging may lead to improper assembly and/or risk of serious personal injury.

WARNING

KEEP PLASTIC BAGS AND SMALL PARTS AWAY FROM CHILDREN.
DO NOT USE POWER TOOLS.
DO NOT OVERTIGHTEN HARDWARE.
PERIODICALLY CHECK HARDWARE AND RE-TIGHTEN AS NECESSARY.
DO NOT USE PRODUCT IF ANY COMPONENT BECOMES DAMAGED.
FOR RESIDENTIAL (NON-COMMERCIAL) USE ONLY.
DO NOT SIT OR STAND ON PRODUCT.
USE ONLY FOR INTENDED PURPOSE.

CARE AND CLEANING

FRAME: WIPE CLEAN WITH A MILD SOAP AND WATER SOLUTION, RINSE WITH CLEAN WATER, AND DRY THOROUGHLY.
IN ORDER TO PROLONG THE LIFE OF YOUR FIRE PIT, PLEASE STORE IN DRY SHELTERED PLACE WHEN NOT IN USE OR DURING INCLEMENT WEATHER.

TABLE OF CONTENTS

Introduction	2
Safety Precautions	4-11
Hardware	14
Parts List	15
Assembly	16-23
Operation	24-31

IMPORTANT SAFETY INFORMATION

Installation and repair should be done by a qualified service person. The appliance should be inspected before use and at least annually by a qualified service person. More frequent cleaning may be required as necessary. It is imperative that the control compartment, burners and circulating air passageways of the appliance are kept clean.

WARNING Failure to follow the dangers, warning and cautions in this manual may result in serious bodily injury or death, or in a fire or an explosion causing damage to property.

IMPORTANT NOTICE Read and understand all warnings and precautions prior to assembly and use of your gas fire pit. Improper installation, adjustment, alteration, service or maintenance can cause injury or property damage.

Note The use and installation of this product must conform to local codes. In the absence of local codes, use the National Fuel Gas Code, ANSI Z223.1/NFPA54. Reference to Natural Gas and Propane Installation code CS A B149.1 or Propane Storage and Handling code B149.2.

Minimum Clearance from Unit to Combustible Materials

61" (155.1cm) from the top: 48" (121.9cm) from all sides and back. Do not locate this fire pit under any overhead structures.


IF YOU SMELL GAS:

- Shut off gas supply to the fire pit.
- Extinguish any open flame.
- Do not try lighting any appliance.
- Do not touch any electrical switch; do not use any phone in your building.
- Immediately call your gas supplier from a neighbor's phone.
- Follow the gas supplier's instructions.
- If you cannot reach your gas supplier, call the fire department.

Children and adults should be alerted to the hazards of high surface temperatures and should stay away to avoid burns or clothing ignition. Young children should be carefully supervised when they are in the area of the appliance. Clothing or other flammable materials should not be hung from the appliance or placed on or near the appliance. Any guard, barrier, or other protective device removed for servicing the appliance shall be replaced prior to operating the appliance.

IMPORTANT SAFETY INFORMATION (continued)

- Keep these instructions for future reference. If you are assembling this unit for someone else, give this manual to him or her to read and keep for future reference.
- This gas fire pit must be used ONLY outdoors in a well-ventilated space and shall NOT be used inside a building, garage, or any other enclosed area.
- DO NOT use this outdoor gas fire pit for indoor heating. TOXIC carbon monoxide fumes can accumulate and cause asphyxiation.
- NEVER LEAVE this gas fire pit unattended when in use.
- This unit is to be used with propane gas & natural gas only! (sold separately).
- Do not use a flame to check for gas leaks.
- Do not store or use gasoline or other flammable vapors and liquids within 25 feet (7.62m) of this or any other appliance.
- Do not store any combustible materials in the base enclosure.
- The use of alcohol, prescription or non-prescription drugs may impair an individual's ability to properly assemble or safely operate this outdoor fire pit.
- DO NOT use in an explosive atmosphere. Keep gas fire pit area clear and free from combustible materials, gasoline and other flammable vapors and liquids.
- This outdoor fire pit is not to be installed or used in or on recreational vehicles and/or boats.
- Always use in accordance with all applicable local, state and national codes. Contact your local fire department for detail on outdoor burning.
- Use the same precautions you would with any open fire when using this outdoor fire pit.
- DO NOT burn solid fuels such as: wood, charcoal briquettes, lump charcoal, manufactured logs, driftwood, trash, leaves, paper, cardboard, plywood, painted or stained or pressure treated wood in this outdoor fire pit.
- DO NOT paint or color any part of this heating unit.
- DO NOT use this outdoor fire pit until it is COMPLETELY assembled and all parts are securely fastened and tightened.
- DO NOT store another LP gas tank within 10 feet (3.05 m) of this outdoor fire pit while it is in operation.

 **WARNING:** For outdoor use only

IMPORTANT SAFETY INFORMATION (continued)


- DO NOT use this outdoor fire pit near automobiles, trucks, vans or recreational vehicles.
- DO NOT use this outdoor fire pit under any overhead structure or near any unprotected combustible constructions. Avoid using near or under overhanging trees and shrubs.
- Always use this outdoor fire pit on a hard, level non-combustible surface such as concrete, rock or stone. An asphalt or blacktop surface may not be acceptable for this purpose.
- DO NOT use this outdoor fire pit if any part has been under water. Immediately call a qualified service technician to inspect the fire pit and to replace any part or control system and any gas control which has been under water. Always remove protective cover before operating (if applicable).
- DO NOT set the protective cover over the unit until it is turned off and completely cooled down.
- DO NOT use in windy conditions.
- Keep all electrical cords away from a hot outdoor fire pit.
- Certain areas of this outdoor fire pit when in use will become too hot to touch. Do not touch hot surfaces until the unit has cooled unless you are wearing protective gear such as insulated pot holders or heat resistant gloves or mittens to avoid burns.
- DO NOT attempt to move or store this outdoor fire pit until all parts are cool. DO NOT lean over this outdoor fire pit when lighting or when in use.
- Use only the regulator and hose assembly provided. The replacement regulator and hose assembly shall be that specified by the manufacturer.
- DO NOT attempt to disconnect the gas regulator from the tank or any gas fitting while the outdoor fire pit is in use.
- Always shut off the supply at the tank valve and disconnect regulator from the tank when the fire pit is not in use.
- DO NOT sit on the fire pit when the unit is in operation.
- DO NOT throw anything onto the fire when the unit is in operation.
- Glass beads are very hot; please keep children or pets at a safe distance.
- It is essential to keep the outdoor fire pit valve compartment, burners, and circulating air passages clean. Inspect outdoor fire pit before each use.
- Check for leaks after not using the unit for long periods of time.

 **WARNING:** For outdoor use only

IMPORTANT SAFETY INFORMATION (continued)

- Prior to each fire pit operation, visually check the hose for evidence of excessive abrasion or wear. If the hose is damaged, cracked or cut, it must be replaced before using the gas fire pit. The hose assembly can only be replaced with a hose assembly specified by the manufacturer. Please call the customer service department at: 1-866-905-4107.
- Before each use, remove the glass media. Examine the burner and its components. If dirty, clean with a soft brush and soapy water solution. Also examine the area around the burner. Any dirt or foreign material, such as spider webs or nests in this area should be removed. If it is evident that the burner is damaged, the fire pit must not be used. The burner assembly can not be replaced. Please contact customer service department at: 1-866-905-4107 for technical support.
- Place the hose out of the pathways where people may trip over it (if using external tank). Do not place the hose in areas where it may be subjected to accidental damage.

ATTENTION: Any alteration of the outdoor fire pit that is not specifically directed in the operations manual will void manufacturer warranty.

 **WARNING:** For outdoor use only

PROPANE (LP) DANGERS AND WARNINGS

LP GAS

LP gas is flammable and hazardous if handled improperly. Become aware of the characteristics before using any LP gas product.

Propane Characteristics:

- Flammable, explosive under pressure, heavier than air and settles in pools in low areas.

Propane Characteristics

- In its natural state, propane has no odor. For your safety, an odorant has been added.
- Contact with propane could burn your skin.
- Propane is extremely flammable and hazardous if handled improperly.

LP GAS WARNINGS:

- Cylinders must be stored outdoors in a well-ventilated area out of reach of children.
- Disconnected cylinders must have threaded valve plugs tightly installed and must not be stored in a building, garage or any other enclosed area.
- Never use a propane cylinder with a damaged body, valve, collar or footing.
- Dented or rusted propane cylinders may be hazardous and should be checked by your propane gas supplier.
- Be sure to use only one 20 lb (9.1 kg) LP gas cylinder with a Type 1 valve with this appliance as required by the American National Standards Institute (ANSI) and the Canadian Standards Steering Committee.
- Only tanks marked “propane” may be used.
- The LP gas supply tank must be constructed and marked in accordance with the Specifications for LP gas tanks of the U.S. Department of Transportation (DOT) or the National standard of Canada, CAN/CSA-B339, LP gas tanks, Spheres and Tubes for the Transportation of Dangerous Goods.
- LP gas tank must be arranged for vapor withdrawal.
- The LP gas tank must have a listed overfilling prevention device (OPD) and a QCCI or Type I (CGA810) LP gas tank connection.
- The LP gas tank must have a tank collar to protect the tank valve.
- LP gas cylinder must contain a shut-off valve as specified in the standard for compressed gas cylinder valve outlet and inlet and inlet connection, ANSI/CGA-V-1-1977, CSA B96.
- Never use an LP gas tank with a damaged body, valve, collar, or footing. Dented or rusted LP gas tanks may be hazardous and should be checked by your LP gas supplier prior to use.

PROPANE (LP) DANGERS AND WARNINGS

- The LP gas tank should not be dropped or handled roughly.
- Tanks must be stored outdoors out of the reach of children. Do NOT store in a building, garage, or any other enclosed area.
- Never store your LP gas tank where temperatures can reach over 125°F.
- Do not store the LP gas cylinder in direct sunlight or near a source of heat or combustion.
- Never keep a filled LP gas tank in a hot car or car trunk. Heat will cause the gas pressure to increase, which may open the relief valve and allow gas to escape.
- Place dust cap on valve outlet whenever the LP gas tank is not in use. Only install the type of dust cap on the LP gas tank valve outlet that is provided with the LP gas tank valve. Other types of caps or plugs may result in leakage of propane.
 - a. Do not store a spare LP gas cylinder under or near this appliance.
 - b. Never fill the LP gas cylinder beyond 80% full.
 - c. If the information in (a) and (b) are not followed exactly, a fire causing death or serious injury may occur.
- LP gas cylinders should be filled only by a certified LP gas dealer.
- The pressure regulator is set for 11 inches of water column (pressure).
- The maximum inlet propane gas pressure for this outdoor fire pit is 250 psi.
- The minimum inlet propane gas pressure for this outdoor fire pit is 25 psi.
- Never attempt to attach this appliance to the self-contained LP gas system of a camper trailer, motor home or house.
- Always use the pressure regulator and hose assembly provided with the appliance to connect to a LP gas cylinder. Never connect to an unregulated LP gas supply. For technical support contact customer service at (866) 905-4107.
- Hand turn the manual gas control valve. Never use tools. If the valve will not turn by hand, do not try to repair it. Call a Certified Gas Technician. The use of force or any self attempted repair may result in a fire or explosion.

Connecting your gas cylinder:

Before connection, be sure that there is no debris caught in the head of the gas cylinder, head of the regulator valve or in the head of the burner and burner ports. Connect regulator valve and hand-tighten firmly. Disconnect the propane cylinder from the regulator valve when the fire pit is not in use.

- DO NOT obstruct the flow of combustion air and ventilation air to the burner.
1. This fire pit comes equipped with a standard LP gas hose and regulator including the appliance side connection for a CGA No 791 Cylinder Connection Device. The LP gas hose and regulator supplied with this fire pit must be used. Only a hose and regulator specified by manufacturer can be used for replacement.
 - a. The CGA No 791 connection incorporates a magnetic flow limiting device that acts to limit the flow of gas if a leak is detected between the regulator and the burner valve.
 - b. If the burner valve is open prior to the LP gas cylinder service valve being opened, the connection will interpret this free flow of gas to be a leak.
 - c. The connection safety feature will reduce gas flow from the regulator to the appliance to a minimal level.
 - d. Be sure that the burner control valve is closed prior to opening the LP gas cylinder service valve to ensure that the connection flow limiting device is not triggered mistakenly.
 - e. If the connection flow limiting device is triggered mistakenly, close the LP gas cylinder service valve and the burner valve, wait 10 seconds to allow the device to reset, open the cylinder service valve, then open the burner valve and light the fire pit as per lighting instructions.
 2. Be sure to protect the hose from any hot surfaces. Serious danger may result if the hose contacts any hot surface.
 3. Regular maintenance of the hose and regulator:
 - a. Inspect the hose before each use of the fire table. If the hose shows signs of cracks, abrasions, cuts or damage of any kind, do not operate the appliance. Fix or replace the hose as required before using the appliance. For assistance with repair or replacement of the hose, call customer service at (866) 905-4107. Use only replacement parts from the manufacturer.
 - b. Inspect the seal inside the CGA No 791 service valve on the LP gas cylinder when replacing the cylinder or at least once per year. If there is any indication of damage, have the seal replaced by a certified gas dealer before operating the appliance.
 4. Do not use tools to tighten the CGA No 791 connection nut onto the LP gas cylinder service valve. Hand tighten only.

PROPANE (LP) DANGERS AND WARNINGS

5. Be careful to not cross the threads on the connection when tightening the CGA No 791 connection on to the LP gas cylinder service valve.
6. "Leak Test" should always be performed after attaching the connection to the LP gas cylinder service valve. (See details on page 26 of this manual).
7. For the connection of the hose and regulator to the LP tank, refer to page 25 for details.

Glass Media Warning:

1. Media may have sharp edges. Wear safety glasses and gloves when handling.
2. Do not change or substitute the media material provided with this fire pit. If replacing, use only replacement glass media available from your local authorized dealer/distributor.
3. Pour the glass media evenly in to the burner area (with the exception of the screen-if applicable). The glass should be 1/2-1" above the burner.
4. **IMPORTANT:** Do not exceed a height of 1" above the burner when placing glass media. Ensure no media covers the igniter screen. Store any excess media in a safe location.
5. Keep away from the unit for the first 20 minutes after igniting your unit for the first time, as lava rocks/pumice stones/glass shards/glass beads could pop out and cause injury. Should any rocks pop out, discard them.
6. Always ensure that lava rocks/pumice stones/glass shards/glass beads are completely dry before use. Failure to do so will cause them to crack or pop.

WARNING

California Proposition 65

WARNING: Combustion by-products produced when using this product contain carbon monoxide, a chemical known to the State of California to cause cancer, birth defects, or other reproductive harm, and this product can expose you to chemicals including lead and lead compounds, which are known to the State of California to cause cancer and birth defects or other reproductive harm. For more information go to: www.P65Warnings.ca.gov.

CLEANING & CARE

CAUTION:

1. All cleaning and maintenance should be done when outdoor fire pit is cool and with the fuel supply disconnected.
2. Do not clean any outdoor fire pit part in a self-cleaning oven, the extreme heat will damage the finish.
3. Do not enlarge valve orifices or burner ports when cleaning the valves or burners.

Notices

1. This outdoor fire pit should be thoroughly cleaned and inspected on a regular basis.
2. Abrasive cleaners will damage this product.
3. NEVER use oven cleaner to clean any part of this outdoor fire pit.

Before Each Use:

1. Keep the outdoor fire pit area clear and free from any combustible materials, gasoline and other flammable vapors and liquids.
2. Do not obstruct the flow of the combustion of LP gas and the ventilation of air.
3. Keep the ventilation opening(s) of the LP gas tank area free and clear from debris.
4. Visually check the burner flames to make sure your outdoor fire pit is working properly (Figure 5).
5. See next page for proper cleaning instructions.
6. Check all gas connections for leaks.
7. Check components for any signs of damage or rust.
8. Check for obstructions of airflow to the burner. Spiders, insects and webs can clog the burner/venturi tube. A clogged burner/venturi tube can lead to a fire.
9. If damage to any component is detected, do NOT operate until repairs are completed.

CLEANING & CARE

Cleaning Surfaces

1. Wipe surfaces clean with mild dishwashing detergent or baking soda mixed with water.
2. For stubborn stains, use a citrus-based cleaner and a nylon scrubbing brush.
3. Rinse clean with water.
4. Allow to air dry.

Before Storing

1. Turn LP gas tank valve to “CLOSED”.
2. Turn control knob to the “OFF” position. Note: A “poof” sound is normal as the last of the gas is burned.
3. Disconnect LP gas tank as detailed on page 25.
4. Clean all surfaces.
5. Lightly coat the burner with cooking oil to prevent excess rusting.



CAUTION: NEVER place cover on hot outdoor fire pit.

6. If storing the outdoor fire pit indoors, cover and store in a cool dry location away from children and pets.
7. If storing the outdoor fire pit outdoors, use the cover (included) for added protection from weather.

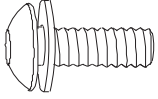
Care & Maintenance

Cleaning your fire pit top on a consistent and regular basis will help aid in a longer lasting top. Cover your fire pit with the included cover when not in use to protect it from the elements. We recommend that your fire pit be stored indoors during the winter months. If it must be stored outside, it should ALWAYS be covered

HARDWARE

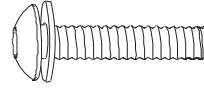
(Part AA)×10+1

M6*15mm bolt with washer



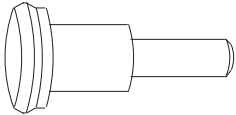
(Part BB)×8+1

M6*28mm bolt with washer



(Part CC)×1+1

φ8.8*8*M6*12mm bolt



(Part DD)×2+1

Washer



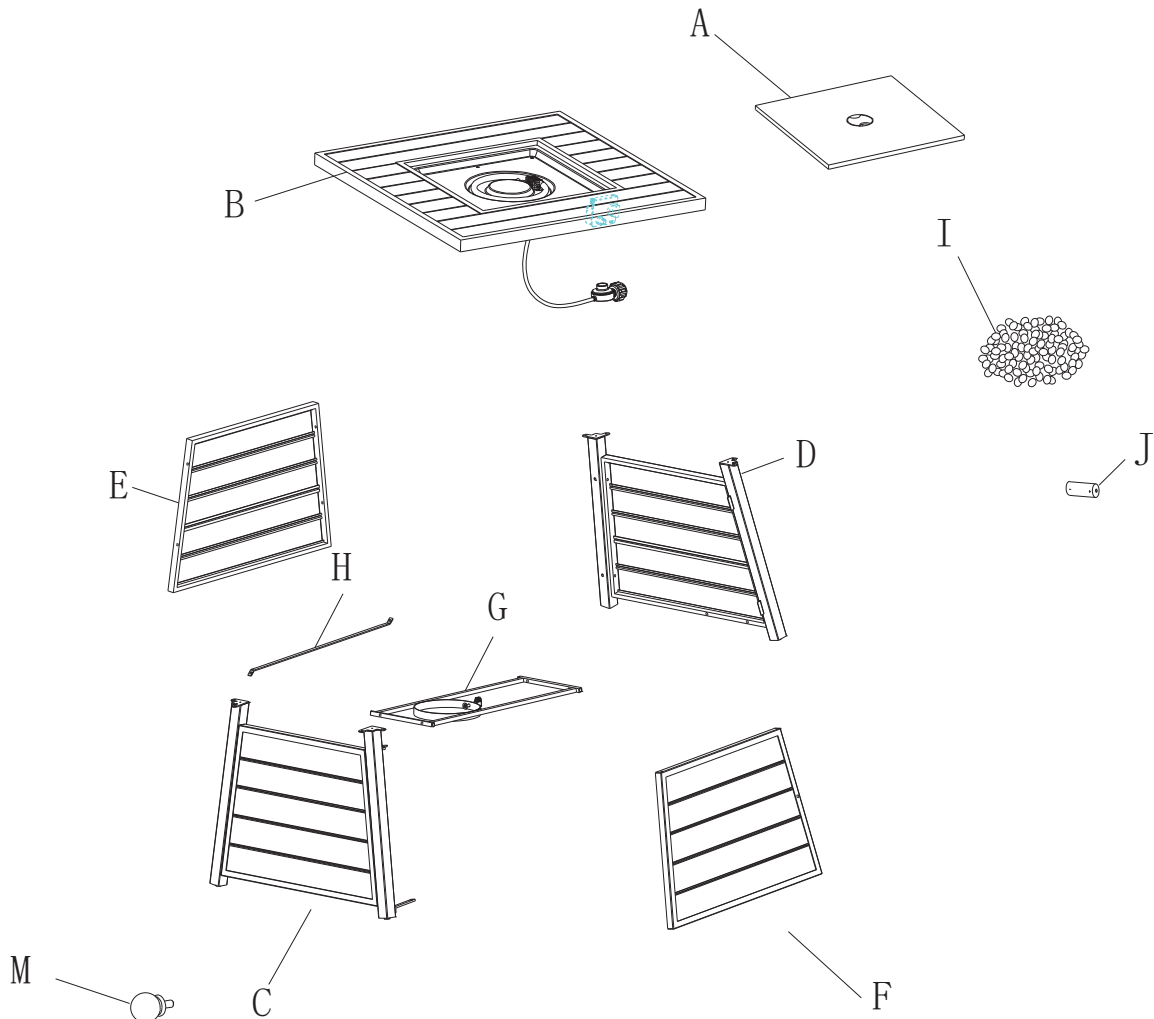
(Part EE)×1

Allen wrench



ITEM	DESCRIPTION	QUANTITY
------	-------------	----------

A	Lid	1
B	Table top	1
C	Left side panel	1
D	Right side panel	1
E	Back panel	1
F	Door	1
G	Base	1
H	Position-Limiting Tube	1
I	Glass beads	1
J	Battery	1
M	Door Knob	1



Step 1

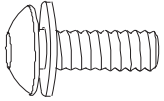
ATTENTION: To prevent damage during assembly, please use either the box carton or another soft material as a working surface.

(Part AA)×8

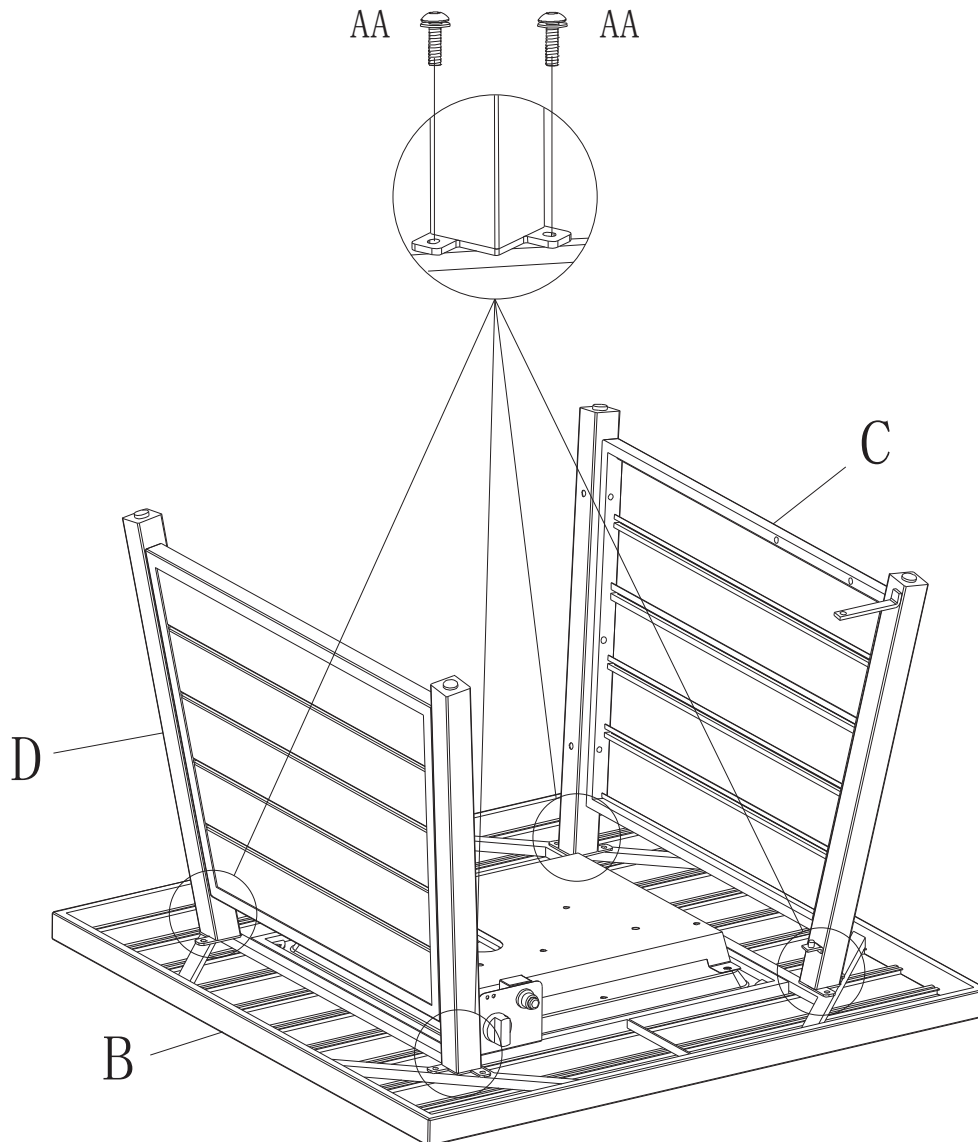
M6*15mm bolt with washer

(Part EE)×1

Allen wrench



1. Attach the Left side panel (C) & Right side panel (D) to the Table top (B) with M6*15mm bolt with washer.
2. Secure with M6*15mm bolt with washer (AA) using Allen wrench (EE).

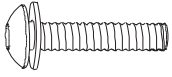


NOTE: Install all bolts by hand, loosely threaded before fully tightening.

Step 2

(Part BB)×4

M6*28mm bolt with washer

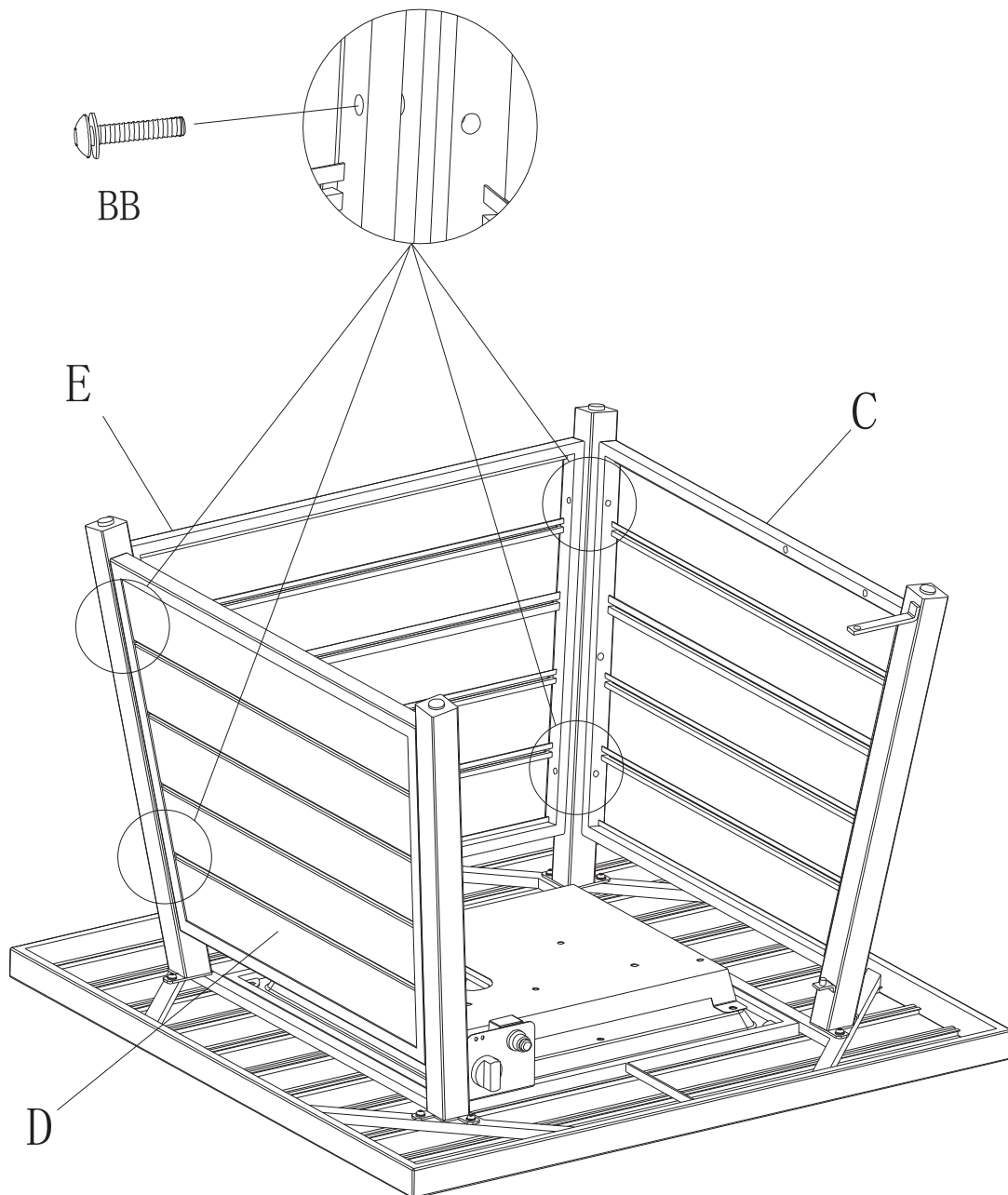


(Part EE)×1

Allen wrench



1. Attach the Back panel (E) to the Left side panel (C) & Right side panel (D) with M6*28mm bolt with washer (BB).
2. Secure with M6*28mm bolt with washer (BB) using Allen wrench (EE).

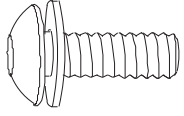


NOTE: Install all bolts by hand, loosely threaded before fully tightening.

Step 3

(Part AA)×2

M6*15mm bolt with washer

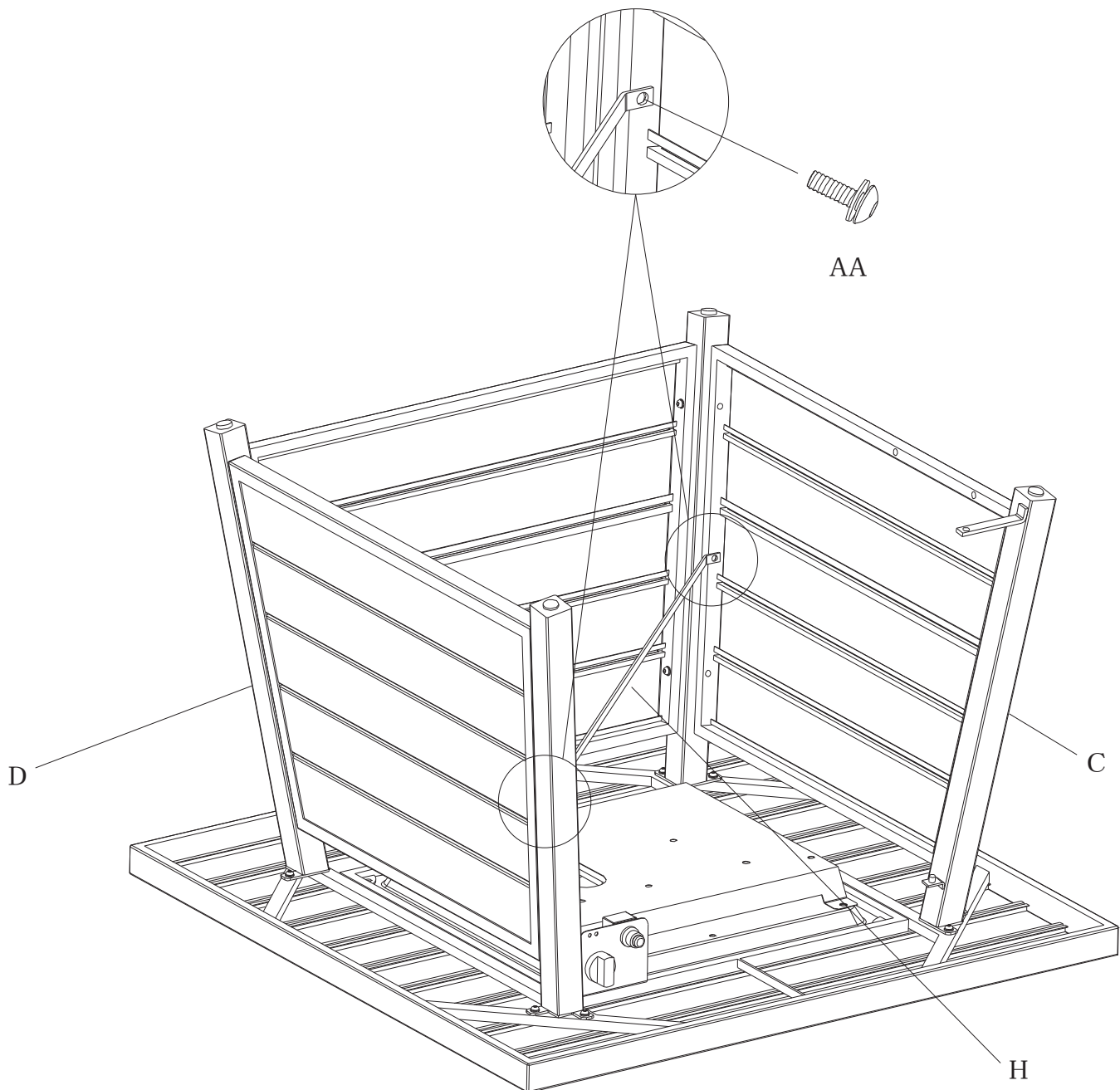


(Part EE)×1

Allen wrench



1. Attach the Position-Limiting Tube (H) to the Left side panel (C) & Right side panel (D) with M6*15mm bolt with washer (AA).
2. Secure with M6*15mm bolt with washer (AA) using Allen wrench (EE).

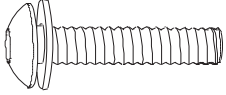


NOTE: Install all bolts by hand, loosely threaded before fully tightening.

Step 4

(Part BB)×4

M6*28mm bolt with washer

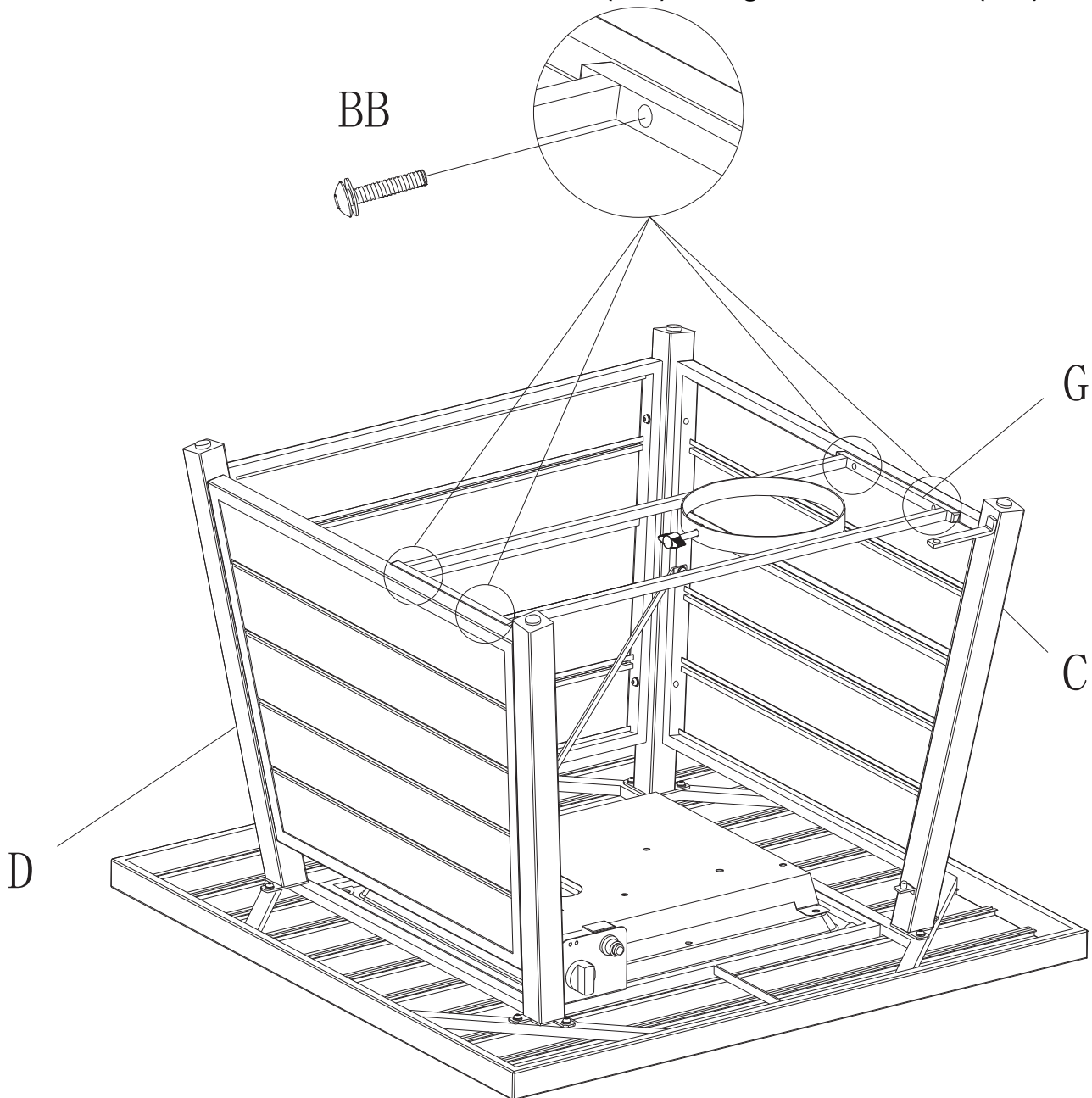


(Part EE)×1

Allen wrench



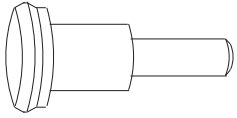
1. Attach the Base (G) to the Left side panel (C) & Right side panel (D) with M6*28mm bolt with washer (BB).
2. Secure with M6*28mm bolt with washer (BB) using Allen wrench (EE).



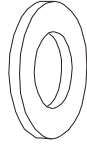
NOTE: Install all bolts by hand, loosely threaded before fully tightening.

Step 5

(Part CC)×1
φ8.8*8*M6*12 bolt



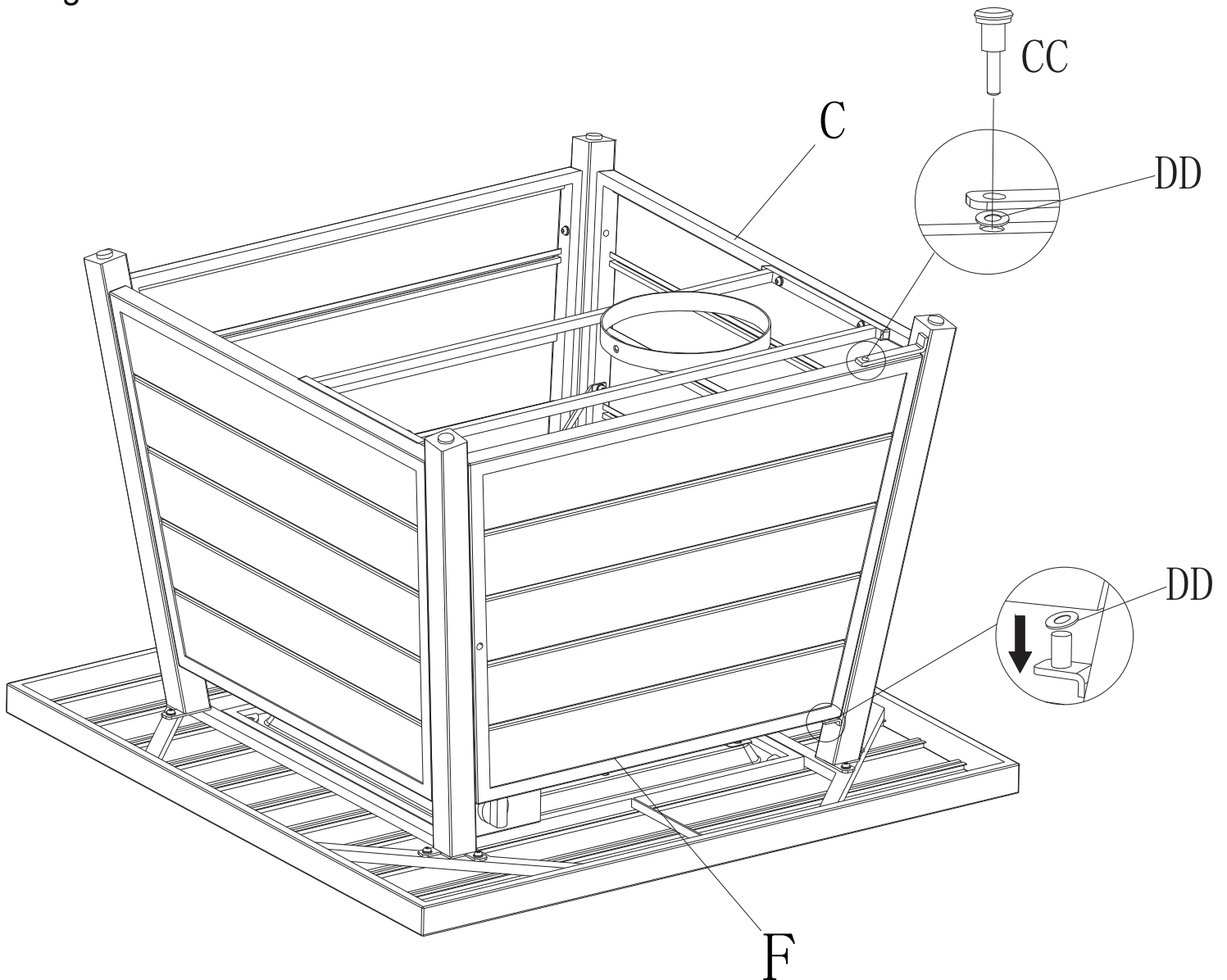
(Part DD)×2
Washer



(Part EE)×1
Allen wrench



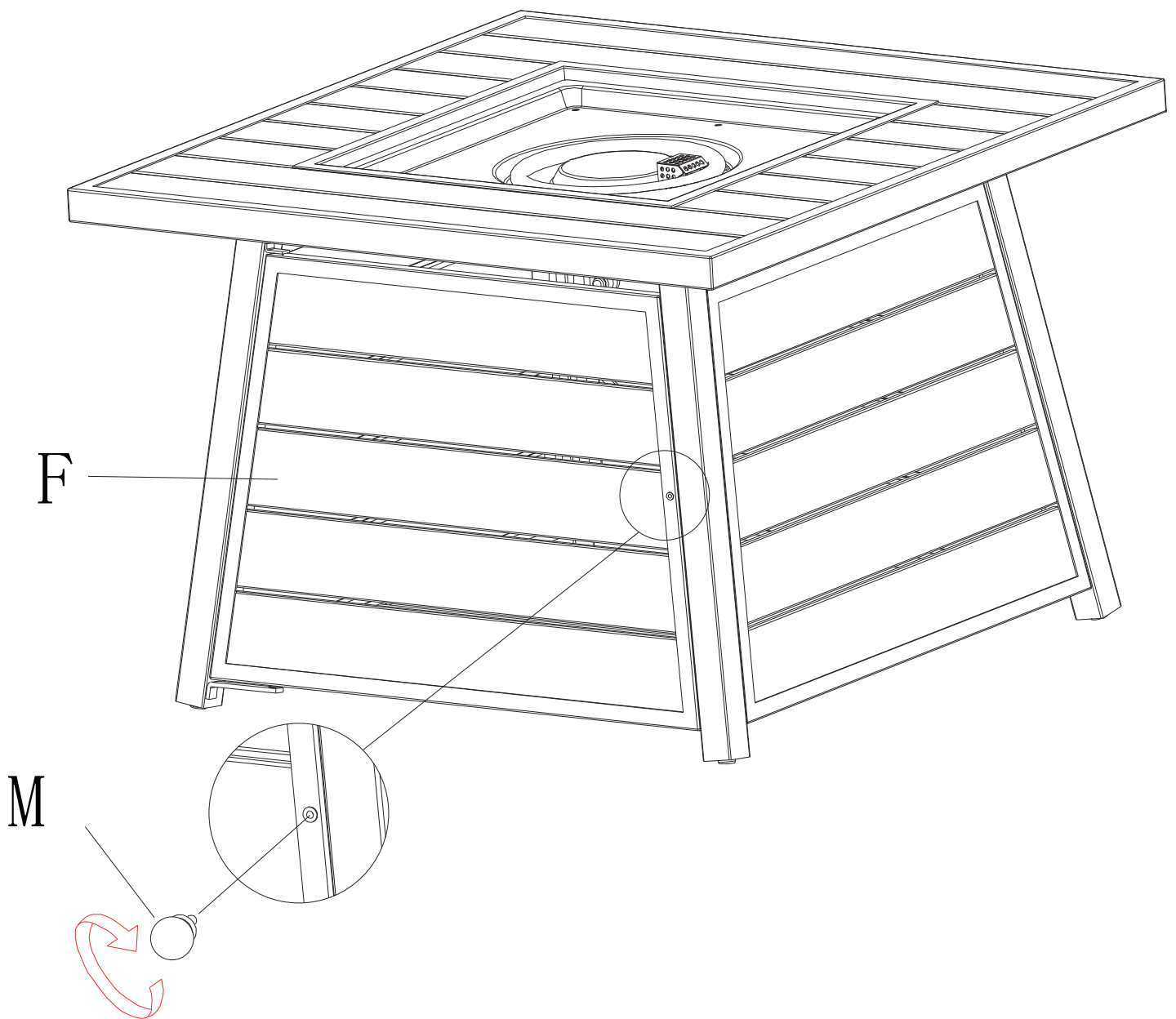
1. Insert the Washer (DD) into the door post.
2. Attach the Door (F) to the Left side panel (C) with φ8.8*8*M6*12 bolt (CC) & Washer (DD).
3. Secure with φ8.8*8*M6*12mm bolt (BB) using Allen wrench (EE).
4. Tighten all screws.



NOTE: Install all bolts by hand, loosely threaded before fully tightening.

Step 6

1. Turn the fire pit right side up.
2. Insert the Door Knob (M) into the Door (F) and tighten it by turning clockwise.

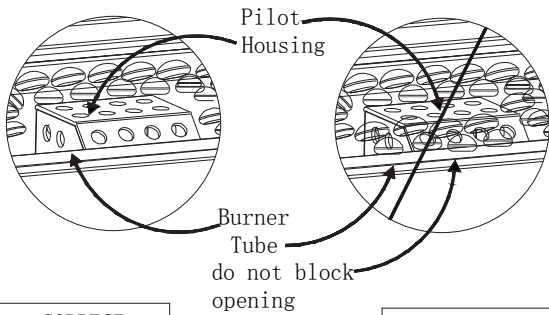
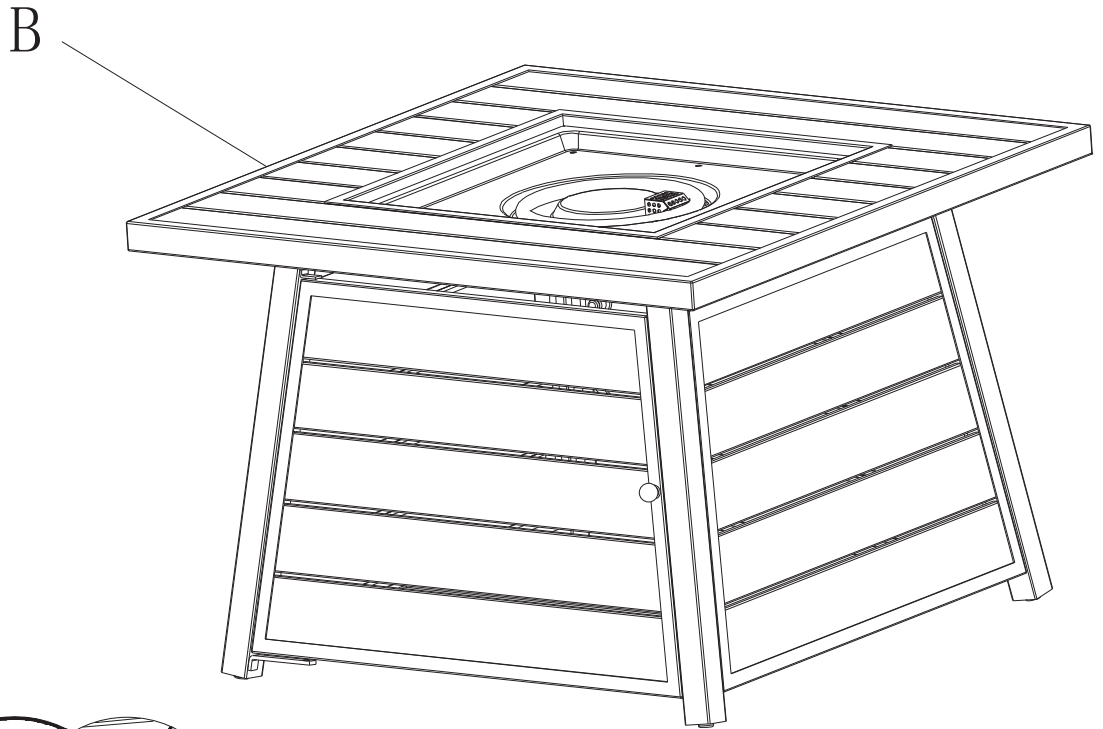
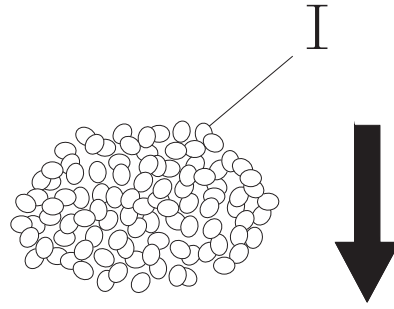


Step 7

1. Place the Glass beads (I) into the burner pan.

⚠ Caution

To ensure proper function, the screen on the burner should be free of glass beads.

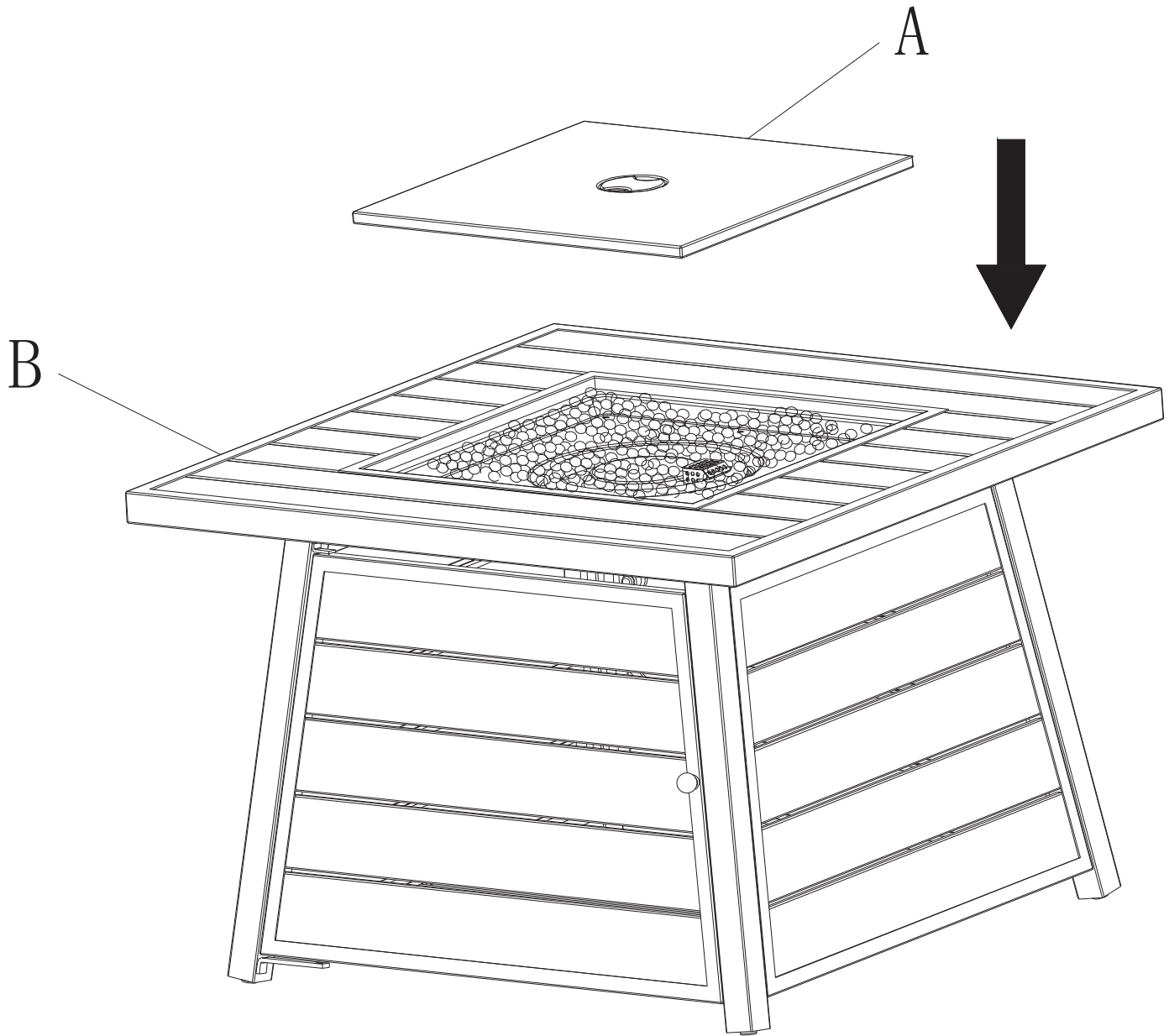


CORRECT

INCORRECT

Pilot

Step 8



Place the Lid (A) over the Burner pan.

OPERATION

Installing LP Gas Tank:

- To operate, you will need one precision-filled standard grill LP gas tank with external valve threads.

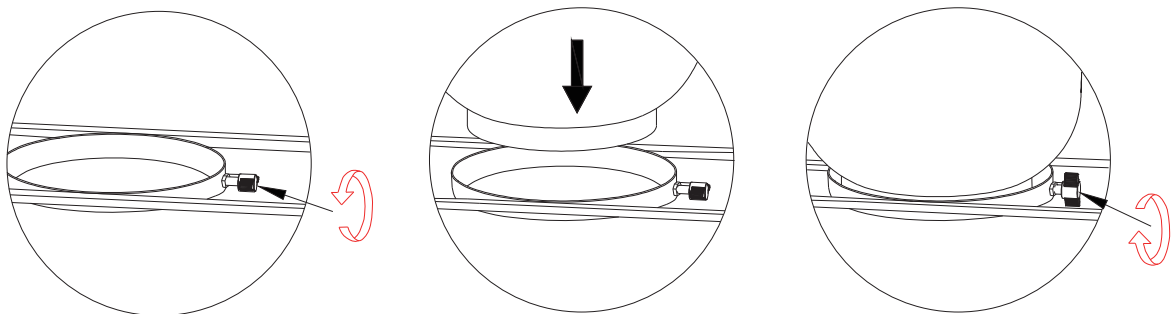
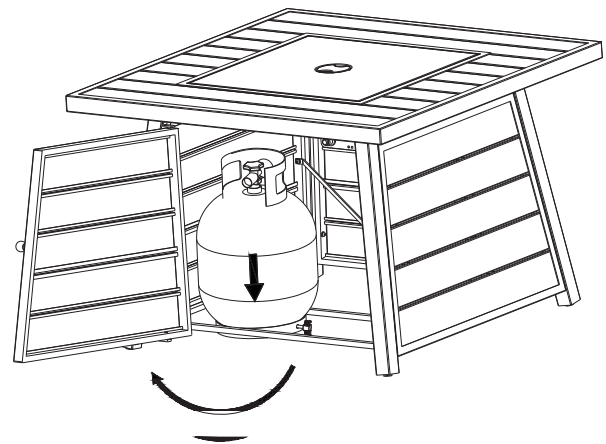
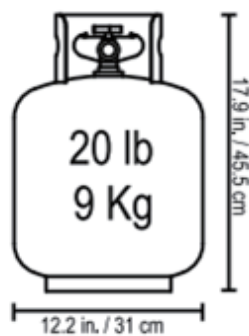
⚠ **CAUTION: LP gas tank must be properly disconnected and removed prior to moving this prior to moving the fire pit.**

To Insert:

⚠ **Warning: Make sure LP gas tank valve is closed.**

- Loosen LP tank retainer bolt by turning counter-clockwise.
- Place precision-filled LP gas tank upright into hole in outdoor fire pit base so the tank valve is facing the gas line connection.
- Secure tank by turning the LP gas tank retainer bolt clockwise until tight.
- The propane gas and cylinder are sold separately. Use a standard 20 lb. propane cylinder only (approximately 12.2 in./31cm in diameter and 17.9 in./45.5cm high). Use this fire pit only with a propane vapor withdrawal supply system. See chapter 5 of the standard for storage and handling of liquefied petroleum gas, ANSI/NFPA 58.

-Your local library or fire department should have this book. Storage of an appliance indoors is permissible only if the cylinder is disconnected and removed from the appliance. A cylinder must be stored outdoors in a well-ventilated area out of the reach of children. A disconnected cylinder must have dust caps tightly installed and must not be stored in a building, garage, or any other enclosed area. The maximum inlet gas supply pressure: 250 Psi. The minimum inlet gas supply pressure: 25 Psi. Manifold pressure with regulator provided: 11in. W.C./2.74 kPa. The pressure regulator and hose assembly supplied with the appliance must be used. The installation must conform with local codes, or in the absence of local codes, with national fuel gas code, ANSI Z223.1/NFPA54, natural gas and propane Installation Code, CSAB149.1, or propane storage and handling code, B149.2.



⚠ WARNING

WARNING: This product contains a small battery. Swallowing the small battery can cause a CHOKING HAZARD. Seek immediate medical attention if batteries are swallowed or inhaled. Keep children away from the small batteries.

OPERATION

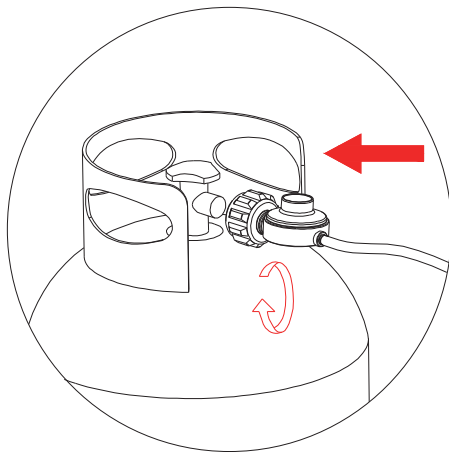
A dented, rusted, or damaged propane cylinder may be hazardous and should be checked by your cylinder supplier. Never use a propane cylinder with a damaged valve connection. The propane cylinder must be constructed and marked in accordance with the specifications for propane gas cylinders of the U.S. the specifications for propane gas cylinders of the U.S. Department of Transportation (DOT) or the standard for cylinders, spheres, and tubes for transportation of dangerous goods and commission, CAN/CSA-B339.

The cylinder must have a listed overfilling prevention device. The cylinder must have a connection device compatible with the connection for the appliance. The cylinder used must include a collar to protect the cylinder valve. Never connect an unregulated propane cylinder to the fire pit.

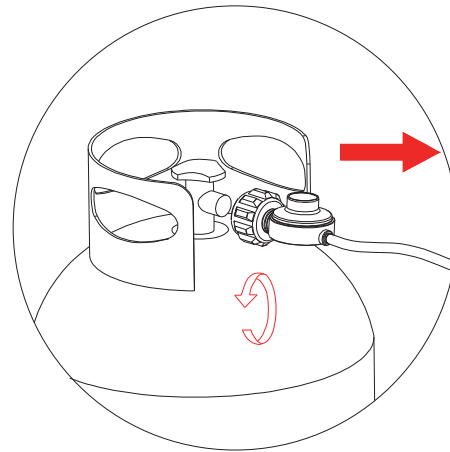
The knob on the propane tank must be closed. Make sure that the knob is turned clockwise to a full stop. The cylinder supply system must be arranged for vapor withdrawal. Check that the control knob on the control unit is turned off. Hold the regulator in one hand and insert the nipple into the valve outlet. Be sure the nipple is centered in the valve outlet. The coupling nut connects to the large outside threads on the valve outlet. Hand-tighten the coupling nut clockwise until it comes to a full stop. Firmly tighten by hand only.

To Connect: Before connecting be sure there is no debris caught in the head of the LP gas tank, head of the regulator valve or in the head of the burner or burner parts. Connect the regulator/hose to the gas tank by turning the knob clockwise until it stops.

To Disconnect: Before disconnecting make sure the LP gas tank valve is "CLOSED". Disconnect regulator/hose assembly from LP gas tank turning the knob counterclockwise until it is loose. Place the protective cap cover on the LP tank and store the tank outdoors in a well-ventilated area out of direct sunlight.



CONNECT



DISCONNECT

Do not store a spare propane gas cylinder under or near this appliance; Never fill the cylinder beyond 80 percent full. Place the dust cap on the cylinder valve outlet whenever the cylinder is not in use. Only install the type of dust cap on the cylinder valve that is provided with the cylinder valve. Other type of caps or plugs may result in leakage of propane. Instructions, including illustrations, on the proper cylinder orientation to provide vapor withdrawal. Storage of an appliance indoors is permissible only if the cylinder is disconnected and removed from the appliance. A cylinder shall be stored outdoors in a well-ventilated area out of the reach of children. A disconnected cylinder shall have dust caps tightly installed and shall not be stored in a building, garage, or any other enclosed area. The pressure regulator and hose assembly supplied with the appliance must be used, and a statement that replacement pressure regulators and hose assemblies must be those specified by the appliance manufacturer.

OPERATION

⚠ WARNING

Perform all leak tests outdoors.
• Extinguish all open flames.
• NEVER leak test when smoking.
• Do not use the fire pit until all connections

1. Make 2-3oz of leak detection solution by mixing one part liquid dishwashing soap with three parts water.
2. Make sure control knob is in the “OFF” position.
3. Connect LP gas tank;
4. Turn LP gas tank valve to “open” ;
5. Spoon several drops of solution or use a squirt bottle, at all “X” locations;
 - a. If any bubbles appear, turn LP gas tank valve to “CLOSED”, reconnect and reset.
 - b. If you continue to see bubbles after several attempts, turn LP gas tank valve to “CLOSED”, disconnect LP gas tank as detailed in “Operation” pg. 25 and Contact 1-866-905-4107 for assistance.
 - c. If no bubbles appear after one minute, turn LP gas tank valve to “CLOSED”, wipe away solution and proceed.

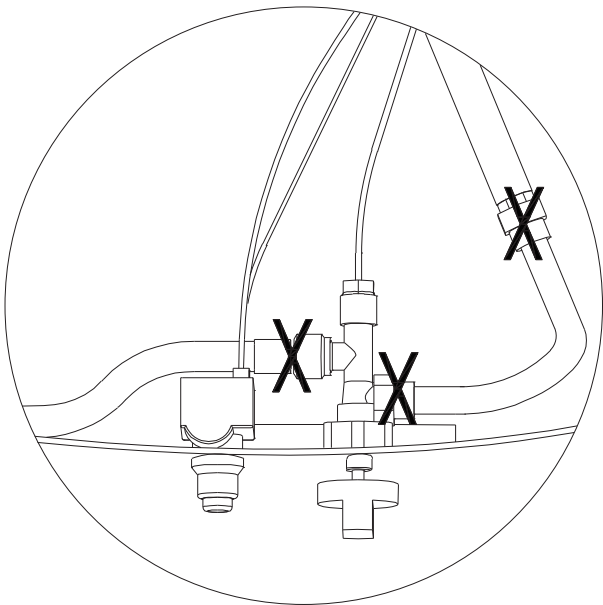


Figure 1

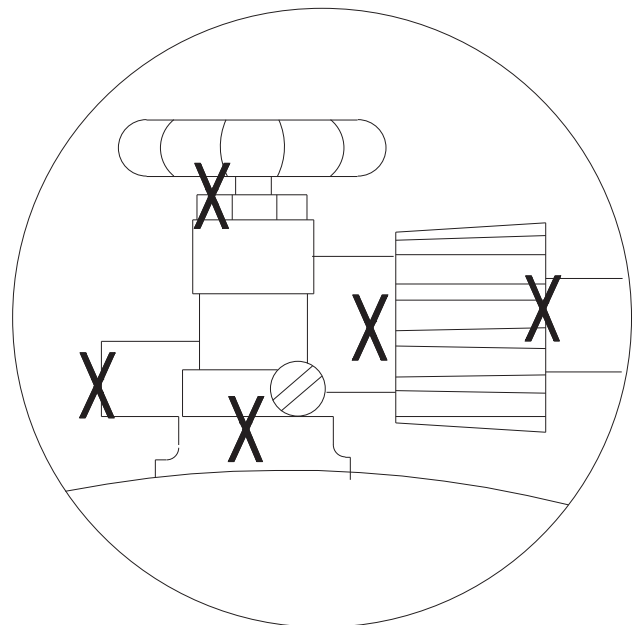


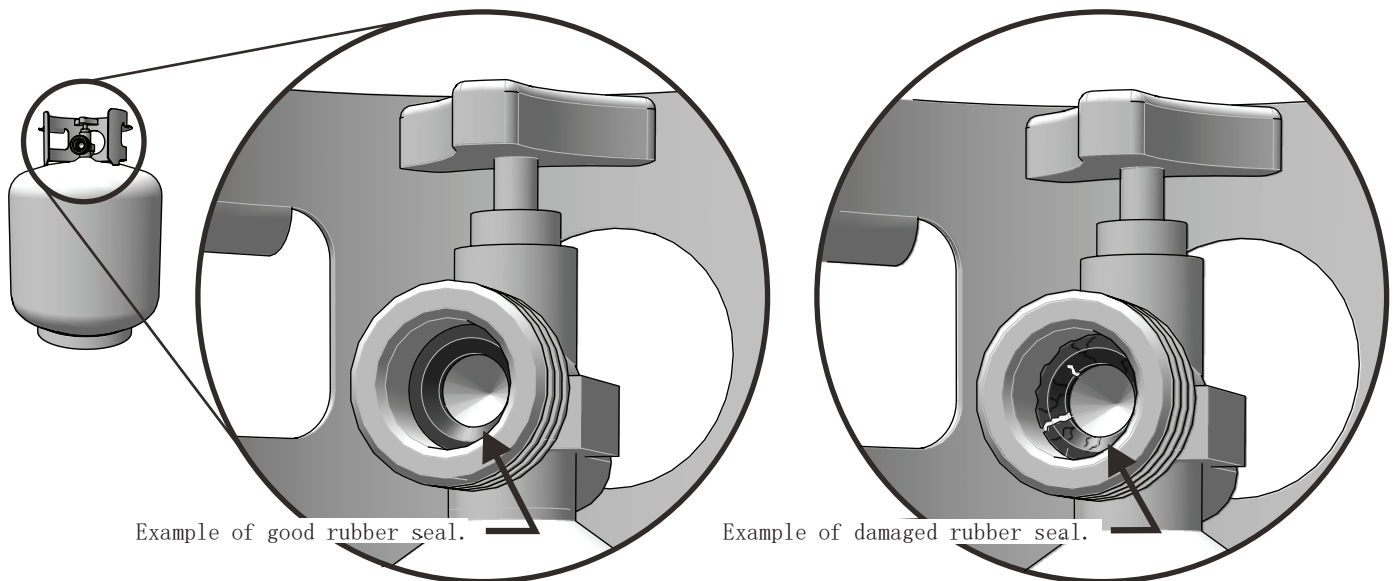
Figure 2

OPERATION

⚠ WARNING

LP GAS CYLINDER RUBBER SEAL INSPECTION.

- Inspect the LP gas cylinder valve rubber seal for cracks, wear or deterioration prior to each use. A damaged rubber seal can cause a gas leak, possibly resulting in an explosion, fire, or severe bodily harm.
- It is recommended that you inspect the rubber seal each time the LP gas cylinder is connected to the fire pit, each time it has been refilled, or if it has not been used for more than 60 days.
- **DO NOT** use a LP gas cylinder with a damaged rubber seal. The rubber seal **CANNOT** be repaired or replaced. Purchase a new cylinder or exchange the cylinder. You should inspect the seal before accepting a new or exchanged cylinder. **DO NOT** insert tools or foreign objects into the cylinder valve opening as this could damage the rubber seal.
- The leak check procedure outlined in the product guide/assembly manual **MUST** be followed each time the LP gas cylinder is connected to the fire pit. Consult the product guide/assembly manual for the proper procedure and locations for leak checking.



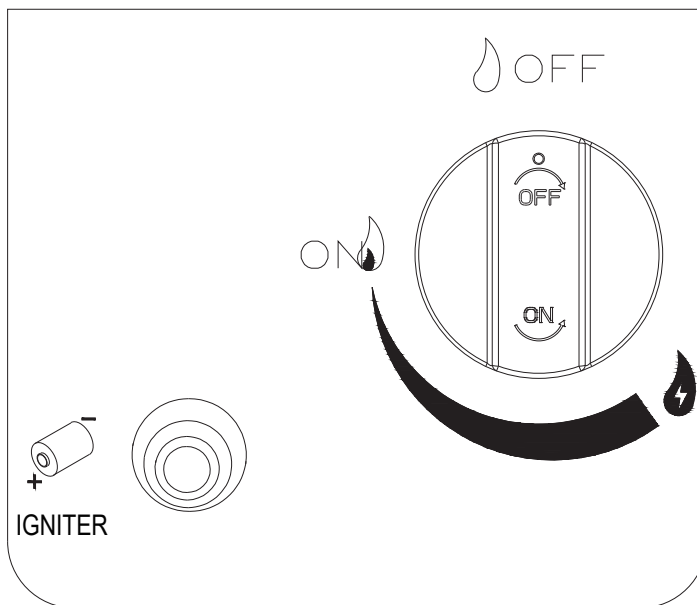
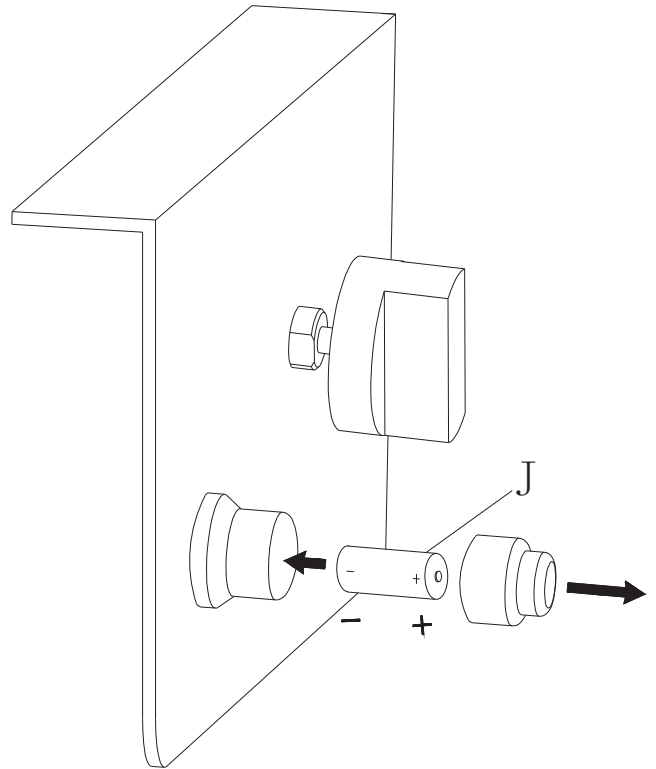
OPERATION

INSTALLING BATTERY

Insert the included battery (J) into the flame igniter and reinstall the cap. Do not overtighten.

⚠ WARNING

Battery may contain mercury. Do not put batteries into the fire or trash. Please treat batteries as hazardous waste and recycle properly.



OPERATION

⚠ WARNING

- CARBON MONOXIDE HAZARD
- For outdoor use only. Never use inside house, or other unventilated or enclosed areas. This fire pit consumes air (oxygen). Do not use in unventilated or enclosed areas to avoid endangering your life.

WARNING: NEVER light the burner with the cover on the outdoor fire pit. **CAUTION:** Keep outdoor gas fire pit area clear and free from combustible materials, gasoline and other flammable vapors and liquids.

Caution: Do NOT obstruct the flow of combustion and ventilation air.

Caution: Check and clean burner/venturi tubes for insects and insect nests. A clogged tube can lead to a fire.

1. Make sure all labels, packaging and protective films have been removed from the outdoor fire pit.
2. Check for obstructions of airflow to the burner. Spiders, insects and webs can clog the burner/ venturi tube. A clogged burner tube can lead to a fire.
3. Control knob must be in the "OFF" position (Figure 3).
4. Clear small area of glass rocks away from the igniter cover (Figure 4).
5. Connect LP gas tank as detailed on pg 25.
6. Turn LP gas tank valve to "OPEN".
7. Push and hold the electronic igniter to create sparks within the electrode, continue to hold.
8. Push in the control knob and turn to the "ON" position, Keep holding down the control knob to allow gas to flow for 20 seconds.
9. After 20 seconds, release and turn control knob Counterclockwise to adjust flame to desired height.
10. If ignition does not occur in 20 seconds turn burner control knob to "OFF" wait 5 minutes, fan with a newspaper or magazine, and repeat lighting procedure.
11. Remove cover and lid from outdoor fire pit before lighting.
12. If igniter does not light burner:
 - a. Wearing heat-resistant gloves, position a long lit match or long lit butane lighter near the pilot housing
 - b. Push and turn control knob to "ON"
 - c. Remove match/lighter once burner is lit

Caution: After lighting - using a fire pit tool and heat-resistant gloves, carefully move the glass beads back to their proper position, being careful to avoid the flame.

13. After lighting, observe the burner flame make sure all burner ports are lit and flame height matches illustration (Figure 5).

Caution: After lighting - using a fire pit tool and heat-resistant gloves, carefully move the glass beads back to their proper position, being careful to avoid the flame.

Failure to follow these instructions could result in fire or explosion, which could cause property damage, personal injury, or death.

Turning Off

1. Turn LP gas tank valve to "CLOSED".
2. Turn control knob to the "OFF" position. Note: A "poof" sound is normal as the last of the LP gas is burned.
3. Disconnect LP gas tank as detailed on pg 25.



Figure 3

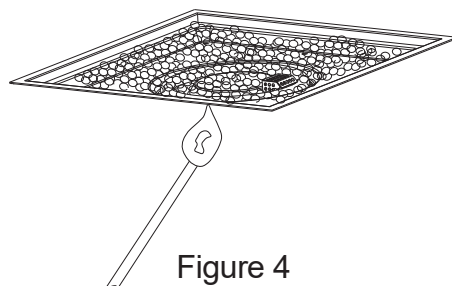


Figure 4

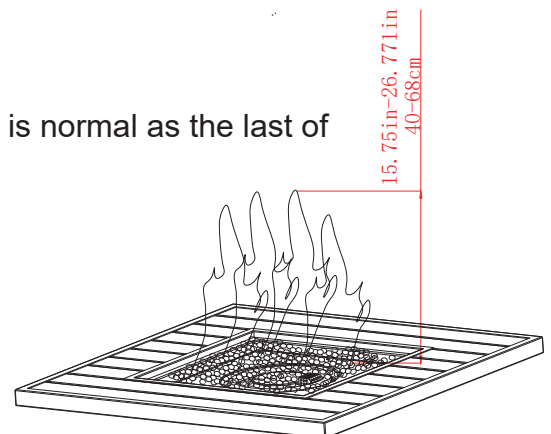
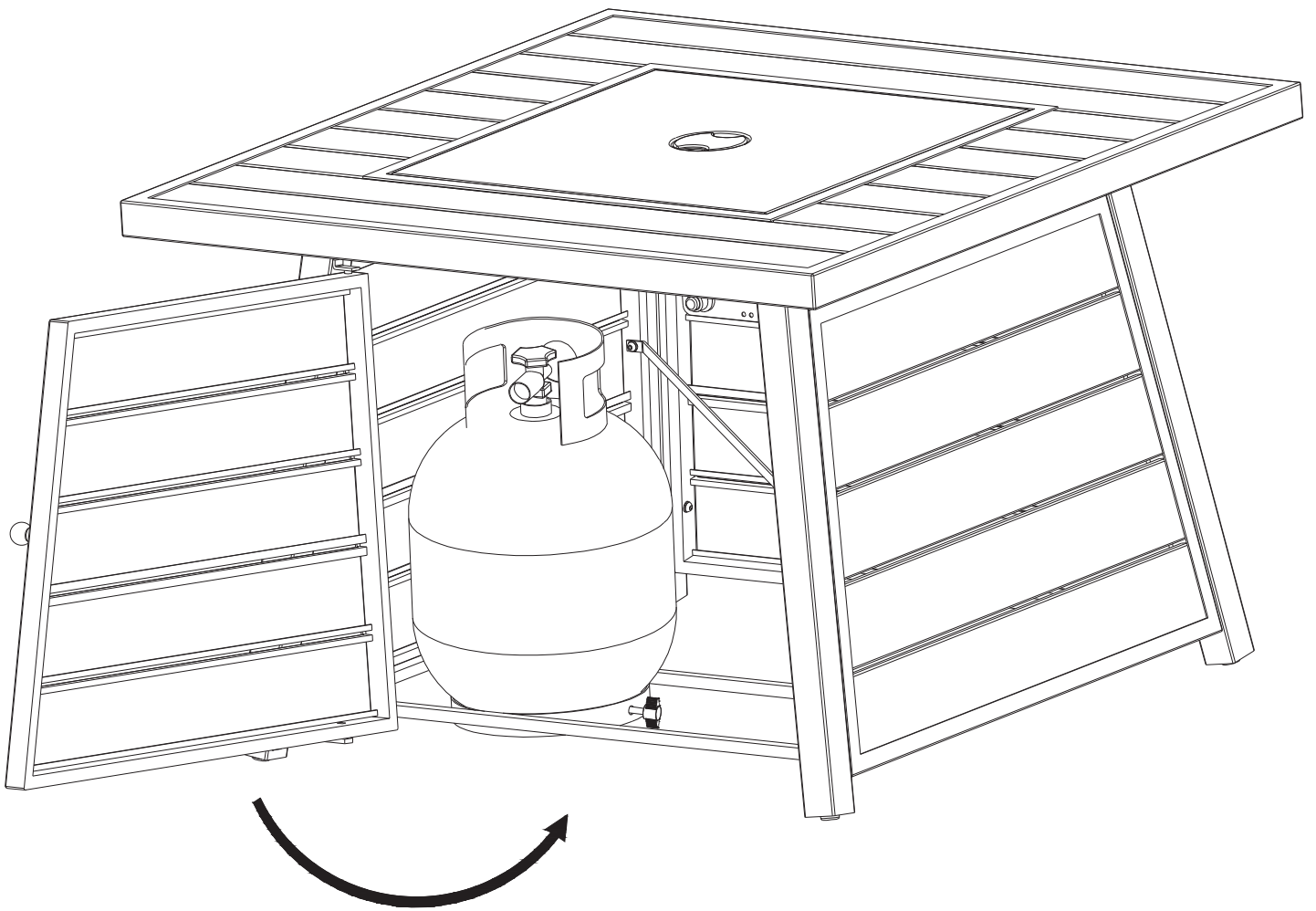


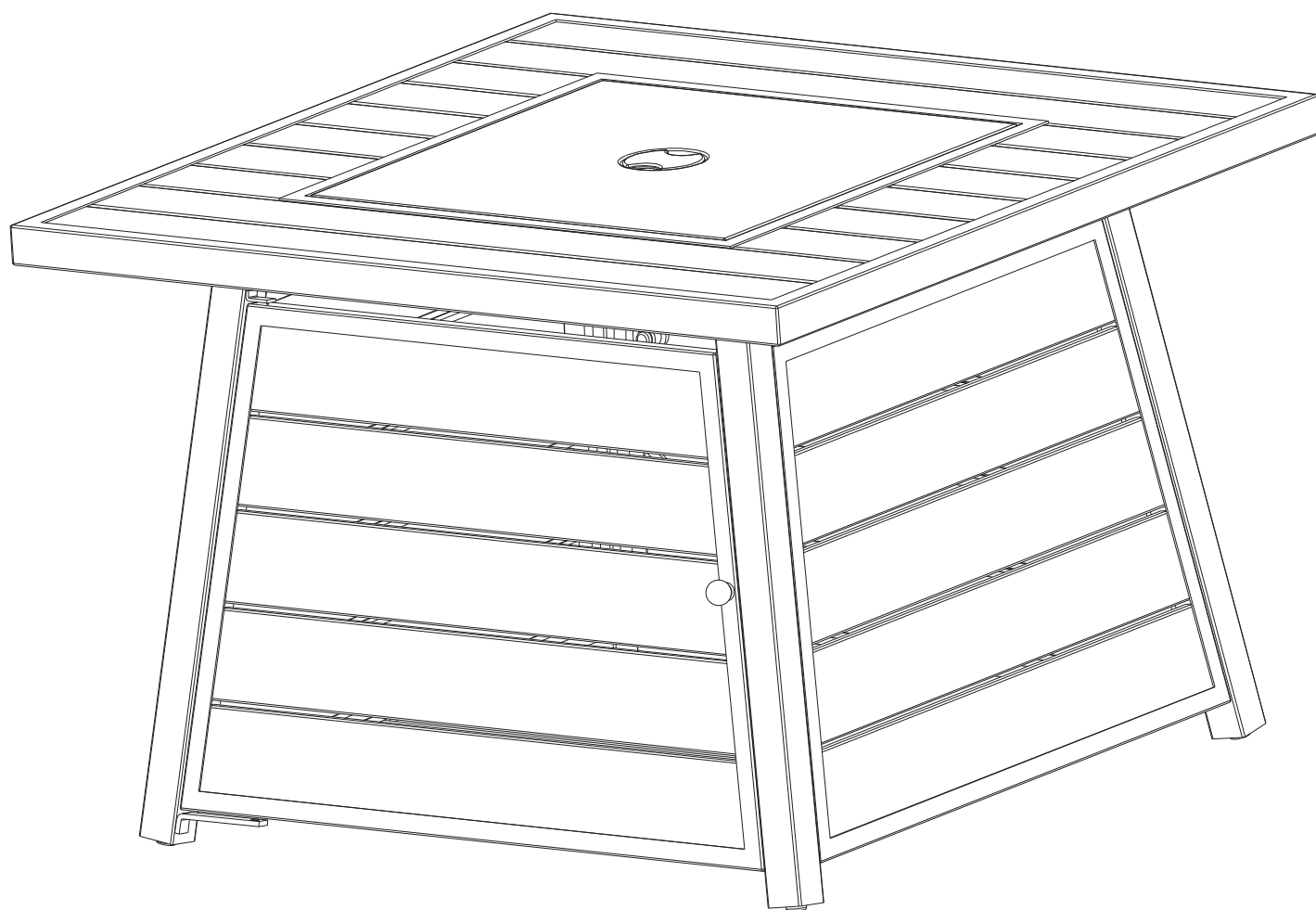
Figure 5

OPERATION



Once the LP gas tank is installed, close the door.

OPERATION



The fire pit is now complete and ready to use.

Troubleshooting

Problem	Cause	Solution/Prevention
Burner will not light using igniter	LP gas tank valve is closed	Make sure regulator is securely attached to the LP gas tank per "Installing LP Gas Tank" section then turn LP gas tank valve to "OPEN".
	LP gas tank is low or empty	Exchange, refill or replace LP gas tank
	LP gas leak	1. Turn LP gas tank valve to "CLOSED" 2. Wait 5 minutes for gas to clear 3. Follow details on pg 26
	Battery needs to be changed	Replace the "AA" battery (follow assembly step for inserting battery)
	Electrode and burners are wet	Wipe dry with cloth
	Electrode cracked or broken - sparks at crack	Replacement part(s) may be needed - contact Customer Care at 1-866-905-4107
	Wire loose or disconnected	Reconnect wire or replacement part(s) may be needed - contact Customer Care at 1-866-905-4107
	Wire is shorting (sparking) between igniter and electrode	Replacement part(s) may be needed - contact Customer Care at 1-866-905-4107
Burner will not light with match	Bad igniter	Replacement part(s) may be needed - contact Customer Care at 1-866-905-4107
	No gas flow	Check if LP gas tank is empty a. If empty, exchange, refill or replace LP gas tank b. If LP gas tank is not empty, refer to "Sudden drop in gas flow or reduced flame height" (see next page)
	LP gas tank is low or empty	Exchange, refill or replace LP gas tank
	LP gas leak	1. Turn LP gas tank valve to "CLOSED" 2. Wait 5 minutes for gas to clear 3. Follow details on pg 26.
	Coupling nut and regulator not fully connected	Turn the coupling nut about one-half to three-quarters additional turn until solid stop. Tighten by hand only - do NOT use tools
	Obstruction of gas flow	1. Clear burner/venturi tube 2. Check for bent or kinked hose
	Disengagement of burner to valve	Re-engage burner and valve
	Spider webs or insect nest in burner/venturi tube	Clean burner/venturi tube
Burner ports clogged or blocked	Clean burner ports	

Troubleshooting

Problem	Cause	Solution/Prevention
Sudden drop in gas flow or reduced flame height	Out of gas	Exchange, refill or replace LP gas tank
	Overfilling prevention device may have been activated	<ol style="list-style-type: none"> 1. Turn control knob to “ OFF”. 2. Wait 30 seconds and light outdoor fire pit as detailed on page 29. 3. If flames are still too low, reset the overfilling prevention. <ol style="list-style-type: none"> a. Turn control knob(s) “ OFF” b. Turn LP gas tank valve to “CLOSED” c. Disconnect regulator d. Turn control knobs to (ON) e. Wait one minute f. Turn control knobs to “ OFF” g. Reconnect regulator and leak check connections, being careful not to fully open valve(s) h. Light outdoor fire pit as detailed on pg 29.
Irregular flame pattern flame does not run the full length of burner	Burner ports are clogged or blocked	Clean burner ports
Flame is yellow or orange	New burner may have residual manufacturing oils	Burn outdoor fire pit for 15 minutes and re-inspect.
	Spider webs or insect nest in burner/venturi tube	Clean burner/venturi tube.
	Poor alignment of valve to burner/venturi tube	Ensure burner/venturi tube is properly engaged with valve.
Flame goes out	High or gusting winds	Do not use outdoor fire pit in high winds.
	Low on LP gas	Exchange, refill or replace LP gas tank
	Excess flow valve tripped	Refer to “Sudden drop in gas flow or reduced flame height” above.
Flashback (fire in venturi/burner tube(s))	Burner and/or burner/venturi tube is blocked	Clean burner and/or burner/venturi tube
Flame seems to lose heat when burning in cold temperatures below 50°F	Ice has built up on the outside of the LP gas tank because the vaporization process is too slow.	<ol style="list-style-type: none"> 1. Turn off per “Turning Off” section 2. Replace with a spare LP gas tank 3. Reconnect LP gas tank per “Installing LP Gas Tank” section 4. Check for leaks as detailed on pg 26. 5. Light outdoor fire pit as detailed on pg 29.

For assistance call 1-866-905-4107