

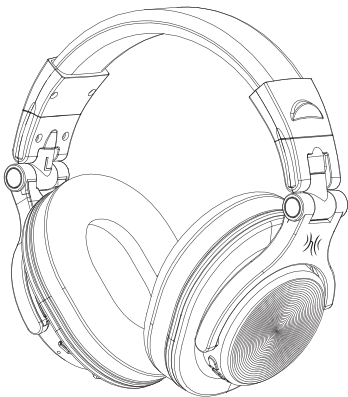


OneOdio

# OneOdio

---

## A70



**User Manual**

## IMPORTANT SAFETY INSTRUCTIONS

Please read and keep all safety and use instructions.

### WARNINGS/CAUTIONS

- Do NOT use the headphones at a high volume for any extended period.
  - To avoid hearing damage, use your headphones at a comfortable, moderate volume level.
  - Turn the volume down on your device before placing the headphones in/on your ears, then turn the volume up gradually until you reach a comfortable listening level.
- Do NOT use your headphones while driving for phone calls or any other purpose.
- Do NOT use the headphones at any time the inability to hear surrounding sounds may present a danger to yourself or others, e.g., while riding a bicycle or walking in or near traffic, a construction site or railroad, etc.
  - Remove the headphones, to ensure you can hear surrounding sounds, including alarms and warning signals.
  - Be aware of how sounds that you rely on as reminders or warnings may vary in character when using the headphones.

Do NOT use the headphones if they emit any loud unusual noise. If this happens, turn the

- headphones off and contact OneOdio customer service.

- Remove headphones immediately if you experience a warming sensation or loss of audio.
- Do NOT use mobile phone adapters to connect headphones to airplane seat jacks, as this could result in injury or property damage due to overheating.
- Do NOT use the headphones as aviation communication headsets except in case of emergency.
  - No incoming audio will be heard with a discharged or improperly installed battery. This could result in the potential of missed communications while piloting an aircraft.
  - Extremely loud ambient noise levels common to many propeller-driven aircraft may impair your ability to receive incoming audio communications, particularly during takeoff and climb out.
  - The headphones are not engineered for noise conditions, altitude, temperature or other environmental conditions common in non-commercial aircraft, resulting in possible interference to critical communications.



Contains small parts which may be a choking hazard. Not suitable for children under age 3.



This product contains magnetic material. Consult your physician on whether this might affect your implantable medical device.

- To reduce the risk of fire or electrical shock, do NOT expose this product to rain, liquids or moisture.
- Do NOT make unauthorized alterations to this product.
- Use this product only with an agency approved power supply which meets local regulatory requirements (e.g., UL, CSA, VDE, CCC).
- Do not expose products containing batteries to excessive heat (e.g. from storage in direct sunlight, fire or the like).

## REGULATORY INFORMATION

**NOTE:** This equipment has been tested and found to comply with the limits for a Class B digital device, pursuant to Part 15 of the FCC Rules.

These limits are designed to provide reasonable protection against harmful interference in a residential installation. This equipment generates, uses, and can radiate radio frequency energy and, if not installed and used in accordance with the instructions, may cause harmful interference to radio communications.

However, there is no guarantee that interference will not occur in a particular installation. If this equipment does cause harmful interference to radio or television reception, which can be determined by turning the equipment off and on, the user is encouraged to try to correct the interference by one or more of the following measures:

- Reorient or relocate the receiving antenna.
- Increase the separation between the equipment and receiver.
- Connect the equipment into an outlet on a circuit different from that to which the receiver is connected.
- Consult the dealer or an experienced radio/TV technician for help.

Changes or modifications not expressly approved by YI ZHAO (SHENZHEN) CO., LIMITED. could void the user's authority to operate this equipment.

This device complies with part 15 of the FCC Rules and with Industry Canada license-exempt RSS standard(s). Operation is subject to the following two conditions: (1) This device may not cause harmful interference, and (2) this device must accept any interference received, including interference that may cause undesired operation. This device complies with FCC and Industry Canada radiation exposure limits set forth for general population. It must not be co-located or operating in conjunction with any other antenna or transmitter.

Meets IMDA Requirements.

## **CAN ICES-3 (B)/NMB-3(B)**

### **Management Regulation for Low-power Radio-frequency Devices**

#### **Article XII**

According to “Management Regulation for Low-power Radio-frequency Devices” without permission granted by the NCC, any company, enterprise, or user is not allowed to change frequency, enhance transmitting power or alter original characteristic as well as performance to an approved low power radio-frequency devices.

#### **Article XIV**

The low power radio-frequency devices shall not influence aircraft security and interfere legal communications; If found, the user shall cease operating immediately until no interference is achieved. The said legal communications means radio communications operated in compliance with the Telecommunications Act.

The low power radio-frequency devices must be susceptible with the interference from legal communications or ISM radio wave radiated devices.

DON'T attempt to remove the rechargeable lithium-ion battery from this product. Contact your local Oneodio retailer or other qualified professional for removal.

**CE** YI ZHAO (SHENZHEN) CO., LIMITED. hereby declares that this product is in compliance with the essential requirements and other relevant provisions of Directive 2014/53/EU and all other applicable EU directive requirements. The complete declaration of conformity can be found at: **[www.oneodio.com](http://www.oneodio.com)**

**For Europe:**

**Frequency band of operation**

**2400 to 2483.5 MHz:**

**Bluetooth:** Maximum transmit power less than 20dBm EIRP.



**Please dispose of used batteries properly, following local regulations. Do not incinerate.**

## **REGULATORY INFORMATION**



Information on electrical and electronic equipment

The following notice is aimed at private end users who use electrical and/or electronic devices.

1. Separate collection of old devices

Electrical and electronic equipment that has become waste is referred to as waste equipment. Owners of old devices must collect them separately from unsorted municipal waste. In particular, old devices do not belong in household waste, but in special collection and return systems.

2. Batteries and rechargeable batteries

As a rule, owners of old devices must separate old batteries and accumulators that are not enclosed by the old device from it before handing them over to a collection point. This

does not apply if the old devices are handed over to public waste disposal authorities and are separated there from other old devices in order to prepare them for reuse.

### 3. Options for returning old devices

If you own old devices, you can hand them over to the options set up and available by public waste disposal authorities for the purpose of proper disposal of old devices. It may also be possible to hand in electrical and electronic equipment there for the purpose of reusing the equipment. You can obtain more detailed information on this from the respective collection or collection point.

### 4. Privacy Notice

Old devices often contain sensitive personal data. This applies in particular to information and telecommunications technology devices such as computers and smartphones. In your own interest, please note that each end user is responsible for deleting the data on the old devices to be disposed of.

### 5. Meaning of the crossed-out dustbin symbol

The symbol of a crossed-out garbage can, which is regularly shown on electrical and electronic devices, indicates that the device in question must be collected separately from unsorted municipal waste at the end of its service life.



The crossed-out wheeled bin symbol on batteries or accumulators means that they must not be disposed of with household waste at the end of their useful life. If batteries or accumulators contain mercury (Hg), cadmium (Cd) or lead (Pb), you will find the respective chemical symbol below the symbol of the crossed-out garbage

can. You are legally obliged to return old batteries and accumulators after use. You can do this free of charge at a retail store or at another collection point near you. Addresses of suitable collection points can be obtained from your city or local government.

Batteries may contain substances that are harmful to the environment and human health. Particular caution is required due to the special risks involved in handling lithium-containing batteries. The separate collection and recycling of old batteries and accumulators is intended to avoid negative effects on the environment and human health.

Please avoid generating waste from old batteries as much as possible, e.g. by giving preference to batteries with a longer lifespan or rechargeable batteries. Please avoid littering public spaces by not leaving batteries or battery-containing electrical and electronic devices lying around. Please explore ways to recycle a battery instead of disposing of it, such as reconditioning or repairing the battery.



Names and Contents of Toxic or Hazardous Substances or Elements						
Toxic or Hazardous Substances and Elements						
Part Name	Lead (Pb)	Mercury (Hg)	Cadmium (Cd)	Hexavalent (Cr(VI))	Polybrominated Biphenyl (PBB)	Polybrominated diphenylether (PBDE)
PCBs	X	0	0	0	0	0
Metal Parts	X	0	0	0	0	0
Plastic Parts	0	0	0	0	0	0
Speaker	X	0	0	0	0	0
Cables	X	0	0	0	0	0
This table is prepared in accordance with the provisions of SJ/T 11364.						
<p>O: Indicates that this toxic or hazardous substance contained in all of the homogeneous materials for this part is below the limit requirement of GB/T 26572.</p> <p>X: Indicates that this toxic or hazardous substance contained in at least one of the homogeneous materials used for this part is above the limit requirement of GB/T 26572.</p>						

**Charging temperature range:** 0° C – 45° C

**Discharging temperature range:** -20° C – 60° C

**EC REP**

C&E Connection E-Commerce (DE) GmbH  
 Add.: Zum Linnegraben 20, 65933, Frankfurt am Main, Germany  
 Tel. +4906927246648  
 E-Mail: info@ce-connection.de

**UK REP**

APEX CE SPECIALISTS LIMITED  
 Add.: 89 Princess Street, Manchester, M1 4HT, UK  
 Tel. +441616371080  
 E-Mail: info@apex-ce.com

Manufacturer: YI ZHAO (SHENZHEN) CO., LIMITED  
 Add.: 6th Floor, T3 Creative Building, Shenzhen Colorful Huiwei Cultural And Creative Expo City, No. 5010 Baoan Avenue, Caowei Community, Hangcheng Street, Baoan District, Shenzhen.

## UK Declaration of Conformity

Hereby, YI ZHAO (SHENZHEN) CO., LIMITED declares that the product type Y80B is in compliance with following Directives: Radio Equipment Regulations 2017, Electrical Equipment (Safety) Regulations 2016 and The Restriction of the Use of Certain Hazardous Substances in Electrical and Electronic Equipment Regulations 2012. The full text of the UK declaration of conformity is available at the following internet address: [www.oneodio.com](http://www.oneodio.com)  
[info@oneodio.com](mailto:info@oneodio.com)



1. Use careful with the earphone maybe possible excessive sound pressure from earphones and headphones can cause hearing loss.
2. Caution: risk of explosion if battery is replaced by an incorrect type. Dispose of used batteries according to the instructions.
3. The device complies with RF specifications when the device used at 0mm form your body.

Manufacturer's Name: YI ZHAO (SHENZHEN) CO., LIMITED

Product: Wireless headphone

Model number: A70

## FCC Warning

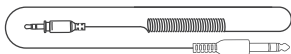
This device complies with part 15 of the FCC Rules. Operation is subject to the following two conditions:(1) This device may not cause harmful interference, and (2) this device must accept any interference received, including interference that may cause undesired operation.

Any Changes or modifications not expressly approved by the party responsible for compliance could void the user's authority to operate the equipment.

This equipment has been tested and found to comply with the limits for a Class B digital device, pursuant to part 15 of the FCC Rules. These limits are designed to provide reasonable protection against harmful interference in a residential installation. This equipment generates uses and can radiate radio frequency energy and, if not installed and used in accordance with the instructions, may cause harmful interference to radio communications. However, there is no guarantee that interference will not occur in a particular installation. If this equipment does cause harmful interference to radio or television reception, which can be determined by turning the equipment off and on, the user is encouraged to try to correct the interference by one or more of the following measures:

- Reorient or relocate the receiving antenna.
- Increase the separation between the equipment and receiver.
- Connect the equipment into an outlet on a circuit different from that to which the receiver is connected.
- Consult the dealer or an experienced radio/TV technician for help.

The device has been evaluated to meet general RF exposure requirement. The device can be used in portable exposure condition without restriction.



## ► Package

### EN What's in the Box?

- \* OneOdio Fusion A70 headphone
- \* USB-C charging cable
- \* 3.5 mm audio cable
- \* 6.35 mm to 3.5 mm dual-duty cable
- \* Pouch
- \* User guide

### DE Was ist in der Box?

- \* OneOdio Fusion A70 Kopfhörer
- \* USB Type C Ladekabel
- \* 3,5 mm Audiokabel
- \* 6,35 mm auf 3,5 mm Kabel
- \* Tragetasche
- \* Benutzerhandbuch

### FR Qu'y a-t-il dans la boîte?

- \* Casque OneOdio Fusion A70
- \* Câble de charge USB-C
- \* Câble audio 3,5 mm
- \* Câble double usage de 6,35 mm à 3,5 mm
- \* Pochette
- \* Mode d'emploi

### JP パッケージ内容

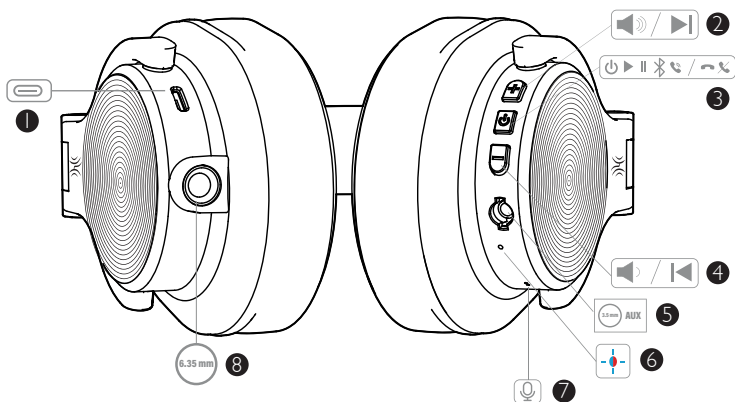
- \* A70 ヘッドホン本体
- \* 2mカールコード(伸長時約3m)
- \* マイク付き1.2mストレートコード
- \* USB TYPE C 充電ケーブル
- \* キャリーポーチ
- \* 取扱説明書

### IT Cosa c'è nella scatola?

- \* Cuffie OneOdio Fusion A70
- \* Cavo di ricarica USB-C
- \* Cavo audio da 3,5 mm
- \* Cavo dual-duty da 6,35 mm a 3,5 mm
- \* Custodia
- \* Guida per l'utente

### ES ¿Qué hay en la caja?

- \* Auriculares OneOdio Fusion A70
- \* Cable de carga USB-C
- \* cable de audio de 3,5 mm
- \* Cable de doble función de 6,35 mm a 3,5 mm
- \* Bolsa
- \* Guía del usuario



## ► Button Controls

### EN Product Overview

1. USB-C charging port
2. Volume up / Next track
3. Multi-function button (MFB)
4. Volume down / Previous track
5. 3.5 mm aux port
6. LED indicator
7. Built-in microphone
8. 6.35 mm port

### FR Présentation du produit

1. Port de chargement USB-C
2. Augmenter le volume / Piste suivante
3. Bouton multifonction (MFB)
4. Volume bas / Piste précédente
5. Port auxiliaire 3,5 mm
6. Indicateur LED
7. Microphone intégré
8. Port 6,35 mm

### IT Panoramica del Prodotto

1. Porta di ricarica USB-C
2. Aumenta il volume / Brano successivo
3. Pulsante multifunzione (MFB)
4. Abbassa il volume / Brano precedente
5. Porta ausiliaria da 3,5 mm
6. Indicatore LED
7. Microfono incorporato
8. Porta da 6,35 mm

### DE Produktübersicht

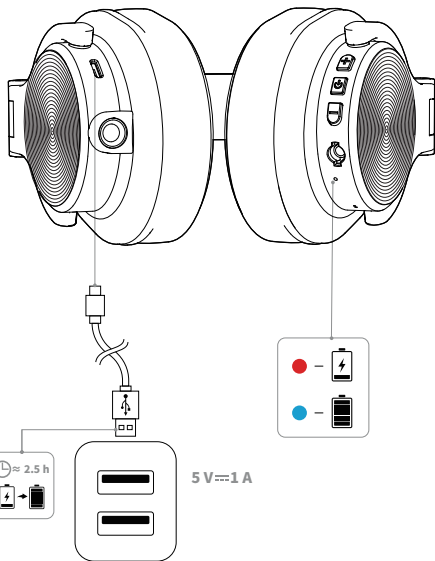
1. USB C Ladeanschluss
2. Lauter / Nächster Titel
3. Multifunktionstaste (MFB)
4. Leiser / Vorheriger Titel
5. 3,5 mm Aux-Anschluss
6. LED-Anzeige
7. Mikrofon
8. 6,35 mm Aux-Anschluss

### JP 製品の概要

1. MicroUSB-C充電ポート
2. 音量+ / 曲送り
3. マルチファンクションボタン
4. 音量- / 曲戻り
5. 3.5mmオーディオジャック
6. LEDランプ
7. マイク
8. 6.35mmポート

### ES Descripción del producto

1. Puerto de carga USB-C
2. Subir volumen / Pista siguiente
3. Botón multifunción (MFB)
4. Bajar volumen / Pista anterior
5. Puerto auxiliar de 3,5 mm
6. Indicador LED
7. Micrófono incorporado
8. Puerto de 6,35 mm



## ▶▶ Charging

### EN Charging

- \* Charging: Red light on
- \* Full charge: Blue light on
- \* Charging time: ≈ 2.5 h
- \* Note: Please use a charging adapter with a voltage not exceeding 5 V to avoid damaging the headphones.

### FR Mise en charge

- \* Charging : lumière rouge allumée
- \* Charge complète : lumière bleue allumée
- \* Temps de charge : ≈ 2,5 h
- \* Remarque : Veuillez utiliser un adaptateur de charge avec une tension ne dépassant pas 5 V pour éviter d'endommager le casque.

### IT Ricarica

- \* Ricarica: luce rossa accesa
- \* Carica completa: luce blu accesa
- \* Tempo di ricarica: ≈ 2,5 ore
- \* Nota: utilizzare un adattatore di ricarica con una tensione non superiore a 5 V per evitare di danneggiare le cuffie.

### DE Aufladung

- \* Aufladen: Rotes Licht an
- \* Voll aufgeladen: Blaues Licht an
- \* Ladezeit: ≈ 2,5 Stdn
- \* Hinweis: Bitte verwenden Sie einen Ladeadapter mit einer Spannung von nicht mehr als 5 V, um eine Beschädigung der Kopfhörer zu vermeiden

### JP 充電について

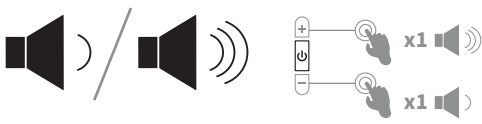
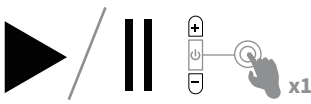
- \* 充電中: 赤ランプ点灯
  - \* フル充電: 青ランプ点灯
  - \* 充電時間: ≈ 2.5h
- 注意事項
- ①初めてお使いになる前に本製品を満充電してからご使用ください。
  - ②充電には付属のUSB充電ケーブルを使用します。
  - ③ヘッドセットの破損を避けるため、5V以下の電圧のAC充電器を使用してください。

### ES Cargando

- \* Charging: luz roja encendida
- \* Carga completa: luz azul encendida
- \* Tiempo de carga: ≈ 2,5 h
- \* Nota: utilice un adaptador de carga con un voltaje que no supere los 5 V para evitar dañar los auriculares.



# 2



## » Music Controls

- EN Music Controls**
- \* Play / Pause: Press the MFB once
  - \* Previous track: Press and hold "-" for 1 second
  - \* Next track: Press and hold "+" for 1 second
  - \* Volume control: Press "+" "-"

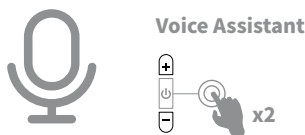
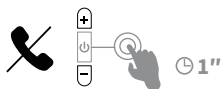
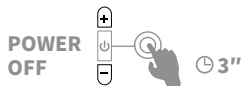
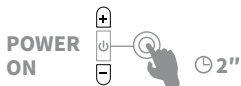
- DE Musiksteuerung**
- \* Wiedergabe / Pause: einmal die MFB drücken
  - \* Vorheriger Titel: die Taste "-" 1 Sekunde lang gedrückt halten
  - \* Nächster Titel: die Taste "+" 1 Sekunde lang gedrückt halten
  - \* Lautstärkeregelung: "+" oder "-" einmal drücken

- FR Commandes musicales**
- \* Lecture / Pause : Appuyez une fois sur le MFB
  - \* Piste précédente : appuyez et maintenez "-" pendant 1 seconde
  - \* Piste suivante : appuyez et maintenez "+" pendant 1 seconde
  - \* Contrôle du volume : appuyez sur "+" "-"

- JP 音楽を聞く**
- \* 再生 / 一時停止
  - マルチファンクションボタンを1回押す
  - \* 曲戻し / 曲送り
  - 「-」を1秒長押し
  - 「+」を1秒長押し
  - \* 音量調整
  - 「+」「-」を押す

- IT Play pausa**
- \* Premere una volta il pulsante multifunzione traccia indietro/traccia avanti
  - \* Tieni premuto "-" per 1 secondo
  - \* Tieni premuto "+" per 1 secondo
  - controllo del volume
  - \* Premere "+" "-"

- ES Controles de música**
- \* Reproducir/Pausar: Presione el MFB una vez
  - \* Pista anterior: mantenga presionado "-" durante 1 segundo
  - \* Pista siguiente: mantenga presionado "+" durante 1 segundo
  - \* Control de volumen: Presione "+" "-"



## Power / Phone Controls

### EN Power / Phone Controls

- \* Power ON: Press and hold for 2 seconds
- \* Power OFF: Press and hold for 3 seconds
- \* Double-click the MFB to activate the Siri voice control function.

### DE Ein-/Aus-/Telefonsteuerung

- \* Einschalten: 2 Sekunden gedrückt halten
- \* Ausschalten: 3 Sekunden lang gedrückt halten
- \* zweimal auf die MFB klicken, um die Siri-Sprachsteuerungsfunktion zu aktivieren

### FR Commandes d'alimentation/téléphone

- \* Mise sous tension: appuyez et maintenez pendant 2 secondes
- \* Mise hors tension: appuyez et maintenez pendant 3 secondes
- \* Double-cliquez sur le MFB pour activer le Fonction de commande vocale Siri.

### JP 主要操作

- \* POWER ON: 2秒長押し
- \* POWER OFF: 3秒長押し
- \* マルチファンクションボタンボタンを2回押す音声アシスタント

### IT Funzione

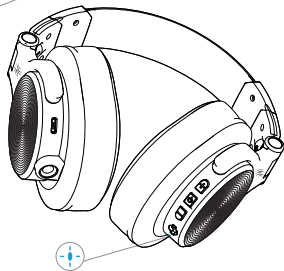
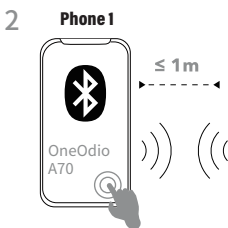
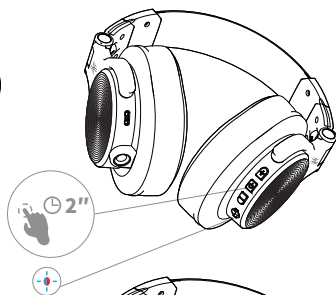
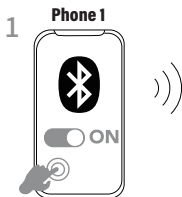
- \* ACCENSIONE: tenere premuto per 2 secondi
- \* SPEGNIMENTO: tenere premuto per 3 secondi
- \* Premere due volte il pulsante multifunzione per attivare il Funzione di controllo vocale Siri.

### ES Controles de energía/teléfono

- \* Encendido: mantenga presionado durante 2 segundos
- \* Apagado: mantenga presionado durante 3 segundos
- \* Haga doble clic en el MFB para activar el Función de control de voz Siri.



# 4



## ► Pairing

### EN **Pairing**

Step 1: Press and hold the multi-function button for 2 seconds until the LED flashes red and blue alternately to enter pairing mode.

Step 2: Open the Bluetooth on your device and select "OneOdio A70".

LED flashes blue to indicate a successful Bluetooth connection.

### FR **Jumelage**

Étape 1 : Appuyez sur le bouton multifonction et maintenez-le enfoncé pendant 2 secondes jusqu'à ce que la LED clignote alternativement en rouge et bleu pour entrer en mode d'appariement.

Étape 2 : Ouvrez le Bluetooth sur votre appareil et sélectionnez "OneOdio A70".

La LED clignote en bleu pour indiquer une connexion Bluetooth réussie.

### IT **Accoppiamento**

Passaggio 1: premere e tenere premuto il pulsante multifunzione per 2 secondi fino a quando il LED lampeggia alternativamente in rosso e blu per accedere alla modalità di associazione.

Passaggio 2: apri il Bluetooth sul tuo dispositivo e seleziona "OneOdio A70".

Il LED lampeggia in blu per indicare una connessione Bluetooth riuscita.

### DE **Paarung**

Schritt 1: Halten Sie die Multifunktionstaste 2 Sekunden lang gedrückt, bis die LED abwechselnd rot und blau blinkt, um in den Kopplungsmodus zu wechseln.

Schritt 2: Öffnen Sie Bluetooth auf Ihrem Gerät und wählen Sie „OneOdio A70“.

Die LED blinkt blau, um eine erfolgreiche Bluetooth-Verbindung anzuzeigen.

### JP **ペアリング**

ステップ 1: LED が赤と青に交互に点滅するまで多機能ボタンを 2 秒間押し続けて、ペアリングモードに入ります。

ステップ 2: デバイスで Bluetooth を開き、「OneOdio A70」を選択します。

LED が青色に点滅し、Bluetooth 接続が成功したことを示します。

### ES **Emparejamiento**

Paso 1: mantenga presionado el botón multifunción durante 2 segundos hasta que el LED parpadee en rojo y azul alternativamente para ingresar al modo de emparejamiento.

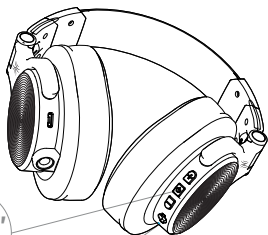
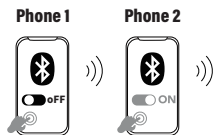
Paso 2: Abra el Bluetooth en su dispositivo y seleccione "OneOdio A70".

El LED parpadea en azul para indicar una conexión Bluetooth exitosa.

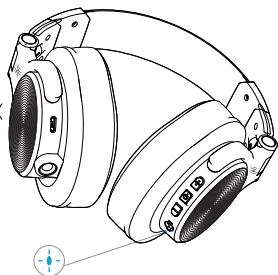
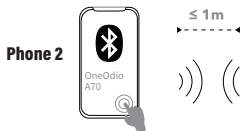


# 5

1



2



## ▶▶ Pairing for 2 Devices

### EN Pairing for 2 Devices

1. Pairing phone 1 and then disconnect phone 1 that is already connected.
2. Pairing phone 2.

### DE Verbindung mit 2 Geräte

- Schritt 1, Koppeln Sie Gerät 1 mit Kopfhörer und trennen Sie dann Gerät 1, das bereits verbunden ist.
- Schritt 2, Gerät 2 mit Kopfhörer koppeln.

### FR Couplage pour 2 appareils

1. Associez le téléphone 1, puis déconnectez le téléphone 1 qui est déjà connecté.
2. Couplage du téléphone 2.

### JP マルチポイント

- 1.2 台のデバイスを同時に接続する場合は、1台目のデバイスのBluetooth接続を解除します。
- 2.2台目のデバイスをBluetooth接続します。

### IT Accoppiamento

- Se desideri connettere due dispositivi contemporaneamente, disconnetti prima Phone 1.

### ES Emparejamiento para 2 dispositivos

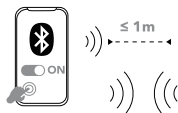
1. Parear el teléfono 1 y luego desconectar el teléfono 1 que ya está conectado.
2. Teléfono de emparejamiento 2.



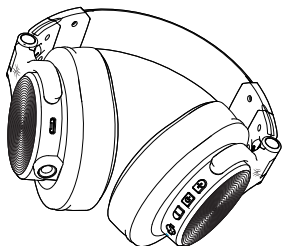
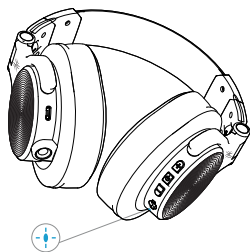
# 6

3

Phone 1



≤ 1m



## » Pairing for 2 Devices

### EN Pairing for 2 Devices

3. Reconnect phone 1 to the headphone.

\* Switch use between two Bluetooth devices.

### DE Verbindung mit 2 Geräte

Schritt 3, Schließen Sie Gerät 1 wieder an den Kopfhörer an.

\* Dann koennen Sie die Verwendung zwischen zwei Bluetooth-Geräten umschalten.

### FR Couplage pour 2 appareils

3. Reconnectez le téléphone 1 au casque.

\* Basculez l'utilisation entre deux appareils Bluetooth.

### JP ペアリング

Bluetooth に接続する場合、デバイスとヘッドセットの間の距離は 1メートル以内です。

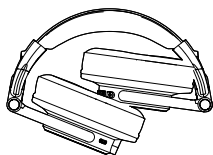
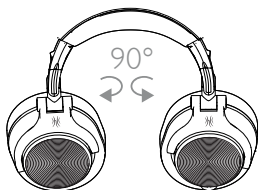
### IT Accoppiamento

Quando ci si connette a Bluetooth, la distanza tra il dispositivo e l'auricolare è entro 1 metro.

### ES Emparejamiento para 2 dispositivos

3. Vuelva a conectar el teléfono 1 a los auriculares.

\* Cambiar el uso entre dos dispositivos Bluetooth.



# 7

## Headphone Design

### EN Headphone Design

- \* 90° Rotatable
- \* Foldable

### DE Design vom Kopfhörer

- \* 90° drehbar
- \* Faltbar

### FR Conception d'écouteurs

- \* Rotatif à 90°
- \* Pliable

### JP 持ち運びに便利なデザイン

1. 90度反転モニター機構
2. 折りたたむため、収納も持ち運びも便利です。

### IT Design adatto ai viaggi

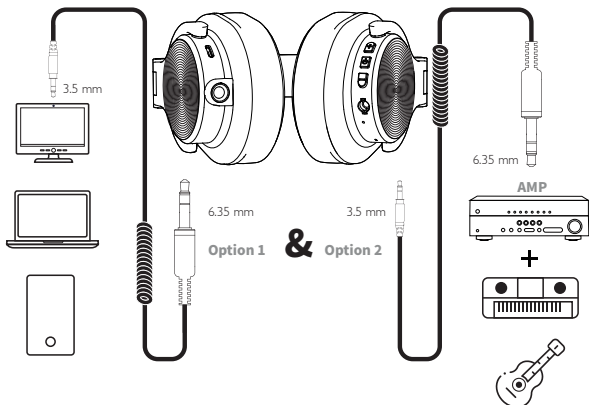
1. Ruotandolo di 90°
2. Le cuffie sono pieghevoli per un facile trasporto.

### ES Diseño de auriculares

- \* 90 ° giratorio
- \* Plegable



# 3.5 mm to 6.35 mm audio cable



## ► Cable 1: 6.35 mm to 3.5 mm

### EN Cable 1: 6.35 mm to 3.5 mm

\* 6.35 MM jack for DJ controller / instrument such as mixer, console, mixer, guitar; e-drum, piano, etc.  
\* 3.5 MM jack for mobile phone/PC/laptop, etc.

### FR Câble 1 : 6,35 mm à 3,5 mm

\* Prise 6,35 MM pour contrôleur/instrument DJ tel que table de mixage, console, table de mixage, guitare, e-drum, piano, etc.  
\* Prise jack 3,5 mm pour téléphone portable/PC/ordinateur portable, etc.

### IT Cavo 1: da 6,35 mm a 3,5 mm

\* Jack da 6,35 mm per controller DJ / strumento come mixer, console, mixer, chitarra, batteria elettronica, pianoforte, ecc.  
\* Jack da 3,5 mm per telefono cellulare/PC/laptop, ecc.

### DE Kabelverbindung

1. 6,35 mm Klinke: Geeignet für DJ-Controller / -Instrumente wie Mixer, Konsole, Mixer, Gitarre, E-Drum, Klavier  
2. 3,5 mm Klinke: Geeignet für Handy/PC/Laptop usw.

### JP 3.5mm-6.35mmプラグケーブルでの接続

\* 6.35mmプラグはDJコントローラー/ミキサー、コンソール、ミキサー、ギター、電子ドラム、ピアノなどの楽器に適しています  
\* 3.5mmジャックプラグは、携帯電話/PC/ラップトップなどに適しています

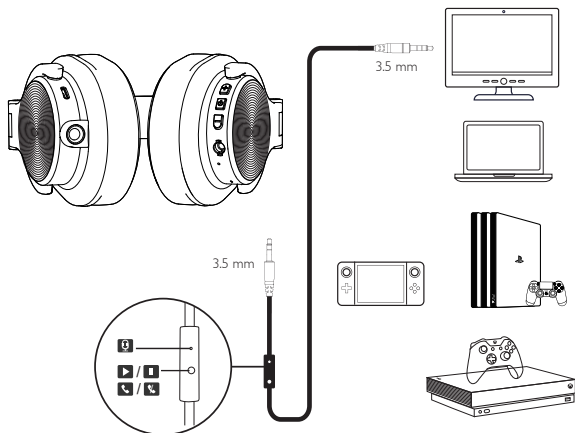
### ES Cable 1: 6,35 MM a 3,5 mm

\* Conector de 6,35 mm para controlador/instrumento de DJ como mezclador, consola, mezclador, guitarra, batería electrónica, piano, etc.  
\* Toma de 3,5 mm para teléfono móvil/PC/portátil, etc.

# 8



# 3.5 mm to 3.5 mm audio cable with microphone



# 9

## ► Cable 2: 3.5 mm to 3.5 mm

### EN Cable 2: 3.5 mm to 3.5 mm

\* 3.5 mm jack for mobile phone/PC/laptop/PS4, etc.

Notes for Microphone:

1. Built-in mic on headphone only works in Bluetooth mode.
2. In-line mic comes with 3.5 mm audio cable works in wired mode.
3. A70 is suitable for daily phone calls / online chats, but if you frequently make calls, you should consider using a specialized headset for this purpose.

### FR Câble 2 : 3,5 mm à 3,5 mm

\* Prise 3,5 MM pour téléphone portable/PC/ordinateur portable/PS4, etc.

Remarques pour le microphone :

1. Le micro intégré sur le casque ne fonctionne qu'en mode Bluetooth.
2. Le micro en ligne est livré avec un câble audio de 3,5 mm qui fonctionne en mode filaire.
3. A70 convient aux appels téléphoniques quotidiens/chats en ligne, mais si vous passez fréquemment des appels, vous devriez envisager d'utiliser un casque spécialisé à cet effet.

### IT Modalità ausiliaria

Il microfono integrato funziona solo in modalità Bluetooth. È possibile utilizzare un cavo audio da 3,5 mm con microfono per le telefonate in modalità cablata.

### DE Kabel 2: 3,5 mm auf 3,5 mm

\* 3,5 mm Klinke für Handy/PC/Laptop/PS4 usw.

Hinweise für Mikrofon:

1. Das eingebaute Mikrofon am Kopfhörer funktioniert nur im Bluetooth-Modus.
2. Das In-line-Mikrofon wird mit einem 3,5-mm-Audiokabel geliefert und funktioniert im kabelgebundenen Modus.
3. Das A70 eignet sich für tägliche Telefonate / Online-Chats, aber wenn Sie häufig telefonieren, sollten Sie die Verwendung eines speziellen Headsets für diesen Zweck in Betracht ziehen.

### JP 3.5mm-3.5mmプラグケーブルでの接続

- 1.有線接続の場合、マイクは動作しません。
- 2.本体のボタン操作はできません。音量調節などの各操作は接続した機器で行ってください。

### ES Cable 2: 3,5 mm a 3,5 mm

\* Conector de 3,5 mm para teléfono móvil/PC/portátil/PS4, etc.

Notas para micrófono:

1. El micrófono incorporado en los auriculares solo funciona en modo Bluetooth.
2. El micrófono en línea viene con un cable de audio de 3,5 mm que funciona en modo con cable.
3. A70 es adecuado para llamadas telefónicas diarias / chats en línea, pero si realiza llamadas con frecuencia, debería considerar usar un auricular especializado para este propósito.

Specifications / Spezifikationen / Spécification / 製品の仕様  
 Specifiche / Especificaciones

Model Name: Modell: 品名: Nom du modèle: Nombre del modelo: Nome del Modello:	A70	Diameter of Driver Unit: Membrandurchmesser: ドライバユニットの直径: Diamètre de l'unité de pilote: Unidad de Diámetro del Buzo: Diametro del Driver:	φ 40 mm
Impedance: Impedanz: インピーダンス: Impédance: Impedancia: Impedenza:	32 Ω	Frequency Response: Frequenzgang: 再生周波数帯域: Fréquence de réponse: Respuesta en frecuencia: Risposta in Frequenza:	20 Hz - 40 kHz
Battery Capacity: バッテリー容量: Batteriekapazität: Capacité de la batterie: Capacidad de la batería: Capacità della Batteria:	650 mAh	Input: Eingabe: 入力: Entrée: Entrada: Immissione:	5 V 300 mA
Sensitivity: Empfindlichkeit: 感度: Sensibilité: Sensibilidad: Sensibilità:	-42 ± 3 dB	Charging Time: Ladezeit: 充電時間: Temps de charge: Tiempo de carga: Tempo di Ricarica:	≈ 2.5 h
Bluetooth Version: Bluetooth-Version: Bluetoothバージョン: Version Bluetooth: Versión de Bluetooth: Versione di Bluetooth:	5.0	Standby Time: Standby-Zeit: 待機時間: Temps de veille: Tiempo de espera: Tempo di Standby:	650 h
Transmission Range: Effektive Übertragungsbereich: 最大伝送範囲: Portée de transmission: Rango de transmisión: Gamma di Trasmissione:	10 m	Playing Time: Abspielzeit: 再生時間: Autonomie du casque: Tiempo de reproducción: Tempo di Suonare:	72 h

**EN Note:**

- Specifications are subject to change without notice.
- Headphones include 6.35mm audio cable for direct connection to 6.35mm devices without adapter. For guitar connection, check if additional equipment is needed.
- A70 may not be compatible with some TVs due to Bluetooth protocol issues. Please consult TV brand before purchasing.

**FR Note:**

- Les spécifications peuvent être modifiées sans préavis.
- Les écouteurs incluent un câble audio de 6,35 mm pour une connexion directe aux appareils de 6,35 mm sans adaptateur. Pour la connexion de la guitare, vérifiez si un équipement supplémentaire est nécessaire.
- A70 peut ne pas être compatible avec certains téléviseurs en raison de problèmes de protocole Bluetooth. Veuillez consulter la marque du téléviseur avant d'acheter.

**IT Nota:**

- Le specifiche sono soggette a modifiche senza preavviso.
- Le cuffie includono un cavo audio da 6,35 mm per il collegamento diretto a dispositivi da 6,35 mm senza adattatore. Per il collegamento della chitarra, verificare se sono necessarie apparecchiature aggiuntive.
- A70 potrebbe non essere compatibile con alcuni televisori a causa di problemi con il protocollo Bluetooth. Si prega di consultare il marchio TV prima dell'acquisto.

**DE Hinweise:**

- Die Spezifikationen können ohne Vorankündigung geändert werden.
- Die Kopfhörer enthalten ein 6,35-mm-Audiokabel für den direkten Anschluss an 6,35-mm-Geräte ohne Adapter. Für den Gitarrenanschluss prüfen Sie, ob zusätzliche Geräte wie Gitarrenverstärker, Effektprozessor, Endstufe oder Soundkarte erforderlich sind.
- Wie viele andere Kopfhörer auf dem Markt ist der A70 aufgrund von Problemen mit dem Bluetooth-Protokoll möglicherweise nicht mit einigen Fernsehern kompatibel. Bitte konsultieren Sie vor dem Kauf die TV-Marke.

**JP ご注意ください。**

- 仕様は予告なく変更される場合があります。
- ヘッドホンには、6.35mmオーディオ機器に直接接続するための6.35mmオーディオケーブルが付属しており、別途アダプターを購入する必要はありません。ギターを接続する際、ギターがギターアンプ、エフェクトプロセッサ、パワーアンプ、サウンドカードなどを必要とするかどうかを確認してください。
- 市場にある他の多くのヘッドホンと同様に、A70はBluetoothプロトコルの問題により、一部のテレビと互換性がない場合があります。ご購入の前に、お使いのテレビのブランドをご確認ください。

**ES Nota:**

- Las especificaciones están sujetas a cambios sin previo aviso.
- Los auriculares incluyen cable de audio de 6,35 mm para conexión directa a dispositivos de 6,35 mm sin adaptador. Para la conexión de la guitarra, compruebe si se necesita equipo adicional.
- Es posible que A70 no sea compatible con algunos televisores debido a problemas con el protocolo Bluetooth. Consulte la marca de TV antes de comprar.

# Limited Warranty / Eingeschränkte Garantie / Garantie limitée 保証書 / Servizio di Garanzia / Garantia limitada

Our friendly customer service team are ready and waiting to help. Here is how you can contact us:

Unser freundliches Kundenservice-Team ist bereit, Ihnen zu bedienen. So können Sie uns kontaktieren:

私たちのカスタマーサービスチームはいつでもお手伝いします。連絡先は次のとおり:

Notre gentil service client est toujours à votre écoute. Vous pouvez nous contacter par une des manières suivantes:

Nuestro amable equipo de atención al cliente está listo y esperando para ayudarle:

Il nostro team post-vendita sarà pronto a servirsi in qualsiasi momento, le seguenti sono le nostre informazioni di contatto:

✉ Global: [info@oneodio.com](mailto:info@oneodio.com)

🌐 Global: [oneodio.com/pages/support](https://oneodio.com/pages/support)  
Japan: [oneodio.jp/pages/support](https://oneodio.jp/pages/support)

☎ Global: +85269403848 (Mon to Fri 9:00 am-6:30 pm, UTC +8 HKT)

## English:

This device contains licence-exempt transmitter(s)/receiver(s) that comply with Innovation, Science and Economic Development Canada's licence-exempt RSS(s). Operation is subject to the following two conditions:

This device may not cause interference.

This device must accept any interference, including interference that may cause undesired operation of the device.

RF exposure statement:

The device has been evaluated to meet general RF exposure requirement. The device can be used in portable exposure condition without restriction.

## French:

Cet appareil contient des émetteurs / récepteurs exemptés de licence conformes aux RSS (RSS) d'Innovation, Sciences et Développement économique Canada. Le fonctionnement est soumis aux deux conditions suivantes:

Cet appareil ne doit pas causer d'interférences.

Cet appareil doit accepter toutes les interférences, y compris celles susceptibles de provoquer un fonctionnement indésirable de l'appareil.

Déclaration d'exposition RF:

L'appareil a été évalué pour répondre aux exigences générales d'exposition aux RF. L'appareil peut être utilisé dans des conditions d'exposition portable sans restriction.

## Deutsch

Dieses Gerät enthält lizenzfreie Sender/Empfänger, die den lizenzfreien RSS(s) von Innovation, Science and Economic Development Canada entsprechen. Der Betrieb unterliegt den folgenden zwei Bedingungen:

Dieses Gerät darf keine Störungen verursachen.

Dieses Gerät muss jede Störung akzeptieren, einschließlich Störungen, die zu unerwünschtem Betrieb des Geräts führen können.

HF-Expositionsanzeige:

Das Gerät wurde bewertet, um die allgemeine HF-Expositionsanforderung zu erfüllen. Das Gerät kann in tragbaren Belichtungszustand ohne Einschränkung verwendet werden.

UK REP

APEX CE SPECIALISTS LIMITED

Add.: 89 Princess Street, Manchester, M1 4HT, UK

Tel.: +441616371080

Email: info@apex-ce.com

**US Agent:**

TRANS-PAC CHINA LLC

Add.: 3715 S 182nd Street, C120 Seatac, WA 98188-9993

Tel.: +1 (818) 818-0538

Email: lisaleeinchina@gmail.com

EC REP

C&E Connection E-Commerce (DE) GmbH

Add.: Zum Linnegraben 20, 65933, Frankfurt am Main, Germany

Tel.: +4906927246648

Email: info@ce-connection.de

Manufacturer: YI ZHAO (SHENZHEN) CO., LIMITED

Add.: 6th Floor, T3 Creative Building, Shenzhen Colorful Huiwei

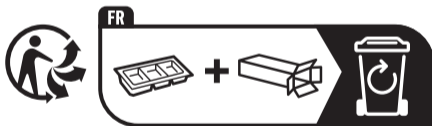
Cultural and Creative Expo City, No. 5010 Baoan Avenue,

Caowei Community, Hangcheng Street, Baoan District,

Shenzhen City, Guangdong Province, China.

Email: info@oneodio.com

Tel.: +85269403848



Points de collecte sur [www.quefairedemesdechets.fr](http://www.quefairedemesdechets.fr)  
Privilégiez la réparation ou le don de votre appareil !

Made in China

IC: 28237-A70

FCC ID: 2A25A-A70

