



Please scan
the code to watch
the guide video.

MORE COMFORTABLE AND CLEAN LIFE WITH PETS

Cat Litter Adaptability Reference

| Adapt | 1:1 Reference | Size |
|-------|---------------|---|
| ✓✓✓ | | $\leq \Phi 2\text{mm}$ |
| ✓✓✓ | | $\leq \Phi 3\text{mm}$ |
| ✓✓✓ | | $L \leq 8\text{mm}$ $\Phi \leq 2\text{mm}$ |
| ✓ | | $8 \leq L \leq 12\text{mm}$ |
| ××× | | $L \geq 12\text{mm}$ |
| ✓ | | $L_1/L_2 \geq 6\text{mm}$ |
| ××× | | $L_1/L_2 \geq 8\text{mm}$ |

+ Automatic Cat Litter Box+

User Manual

FOR THE FIRST USE

- 1、Please place the machine on a firm and flat ground.
- 2、Please add litter no higher than MAX line after placing the machine well.
- 3、Please power on the machine and wait it to finish self-check. Then it is ready for cat to use.



CONTENT

| | |
|---|----|
| FOR THE FIRST USE..... | 01 |
| I INSTRUCTIONS FOR THE FIRST USE..... | 03 |
| II APP..... | 07 |
| III OPERATING INSTRUCTIONS..... | 11 |
| IV FAULT SELF-CHECK METHOD..... | 28 |
| V FAQ..... | 29 |
| VI PRODUCT LIST..... | 41 |
| VII INTRODUCTION OF CONTROL PANEL..... | 42 |
| VIII CIRCUIT DIAGRAM..... | 42 |
| IX Filter and Bottom tray Disassembly & Assembly..... | 43 |
| X PARAMETERS AND SPECIFICATIONS..... | 44 |

Cautions:

- 1.Please install and use this device strictly according to the instructions.
- 2.Please use it in an indoor environment, do not place it in direct sunlight, and keep it away from fire sources.
- 3.Please place the device on a flat and hard ground, and do not place articles on the top of the device.
- 4.Do not drag or place vigorously during placement to avoid device damage.
- 5.Kittens weighing less than 1kg and lactating cats should not use the auto cleaning mode of the device.
- 6.It is strictly forbidden to soak or immerse the host part of this device.
- 7.Please unplug the power cord when moving, cleaning the device or not using it for a long time.
- 8.Please use the original power adapter to avoid damage to the device or potential safety hazards.
9. If children use this device, please make sure to use it under the guidance of an adult.
10. Please perform maintenance under the guidance of professionals to avoid all kinds of damages.
- 11.If you encounter product use problems, please contact customer service.
- 12.Please read this manual carefully before.Once installed and used, it means that you have carefully read and accepted the following safety instructions.
- 13.If the product does not work properly due to other unknown conditions, and you do not have time to refer to the instructions, please restart the power.

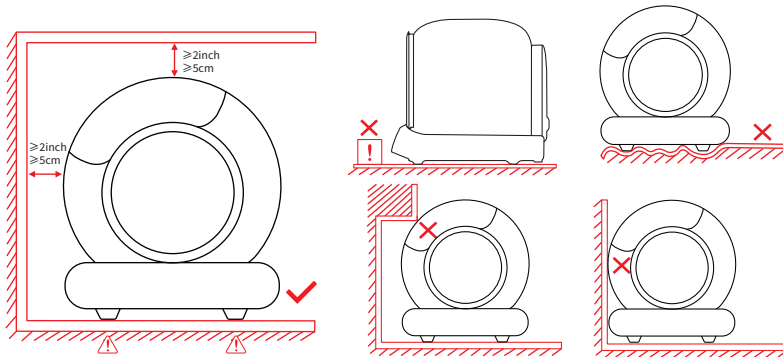
I INSTRUCTIONS FOR THE FIRST USE

1.1 Unpacking:

Turn over the carton to cut the tape from the bottom, then turn over back the carton to pull up the carton vertically.

1.2 Placement:

Place the machine on the flat ground and make sure all four feet of the product are in contact with the ground. Items with a height of more than 5CM shall not be placed within 30CM in front of the product, so as not to affect the cat identification sensor outside the product.

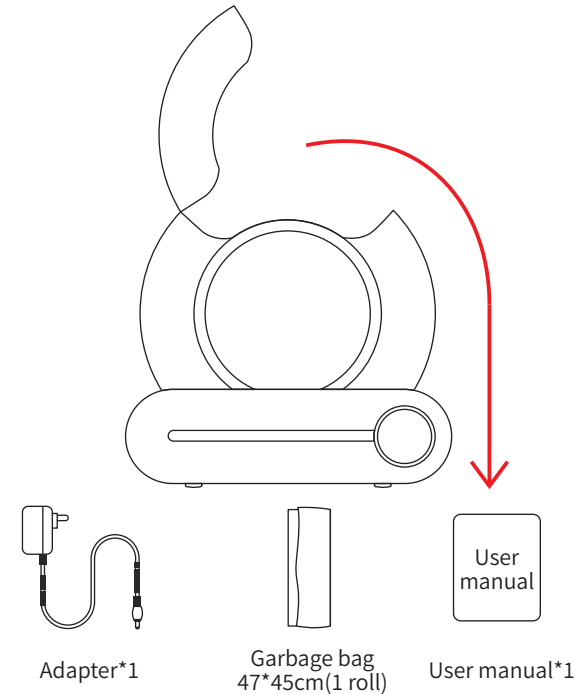


Some product models have some differences in appearance due to different configurations, please refer to the actual appearance of the product.

Notice:

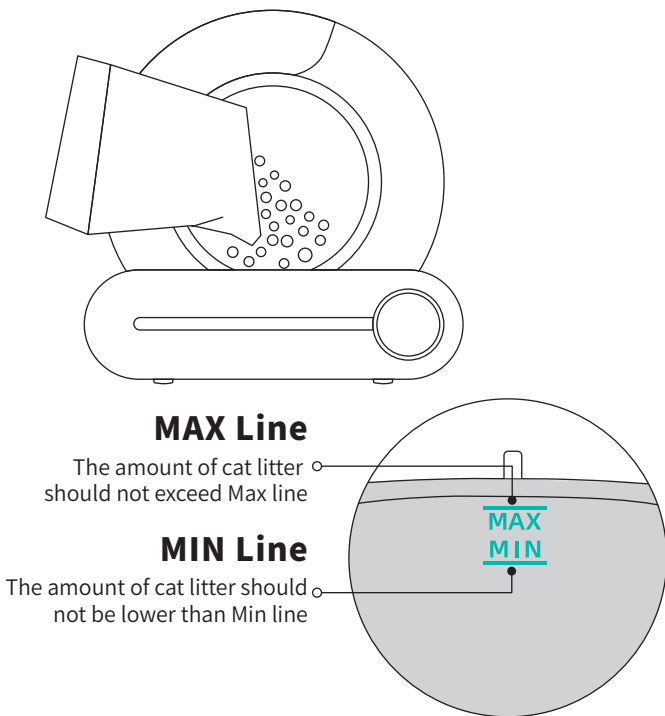
- ✓ The four feet of the product must be in contact with a firm flat ground!
- ✗ Place the machine on soft carpet.
- ✗ Place the two front feet of the machine on the cat litter mat or carpet.

1.3 Accessories(in litter storage box):



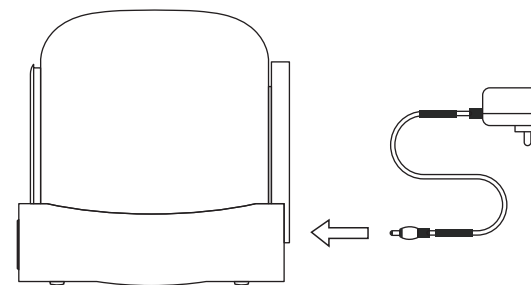
1.4 Add litter sand:

Make sure the leveled litter height is between the MAX line and the MIN line.(The amount of sand can be adjusted according to the actual situation.)



1.5 Use:

- 1.5.1 Power on with adapter and wait the machine to self-check for about 3-8 minutes.It will automatically enter the state of sensing after self-check, no need to change its program.
- 1.5.2 After the cat leaves, the product will automatically clean up the clumped cat excrement in about 3 minutes,last for 4 minutes.
- 1.5.3 After cleaning, the product will automatically start the smell cleaning function, and last for 30 minutes.



Notice:

- × Pick up or drag the product after powering up.(This will interfere with weight calibration in the reset program.)
- ①If you place the product in a narrow space or there is an infrared interference source in front of the product, the product self-check may take about 3-6 minutes.Please wait patiently.
- ②If the product detected that the space is not suitable for its infrared sensor to work, the infrared detection function will be automatically disabled after self-check is completed.But the weight detection system inside the product will assume the judgment work of whether the cat enters.
- ③During the clearing process, all keys are suspended. If you need to perform other functions, please wait until the clearing process is complete.

II APP

2.1 Overseas users



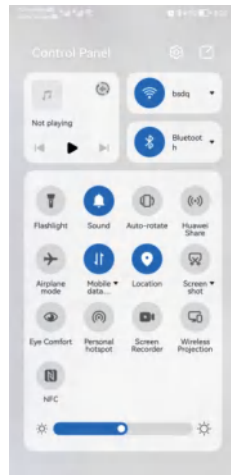
Method 1: You can scan the above icon with your mobile phone



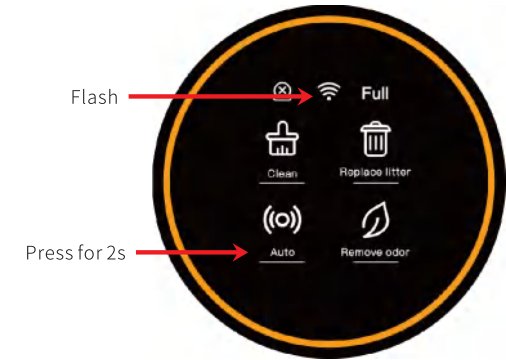
Method 2: You can download "tuya" App and install it by search it in the App store.

2.2 Networking:

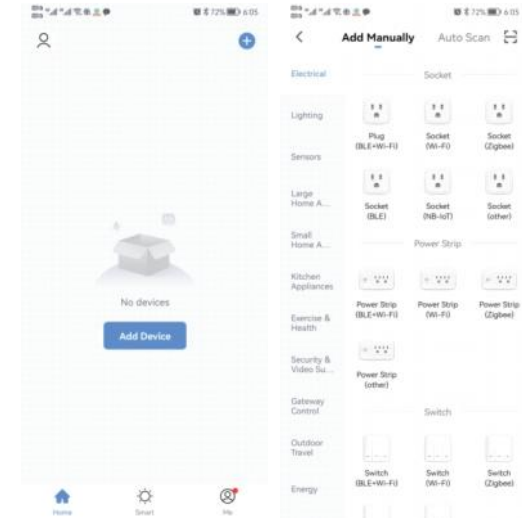
2.2.1 Confirm that the phone is connected to 2.4G WiFi, then turn on Bluetooth and Location.



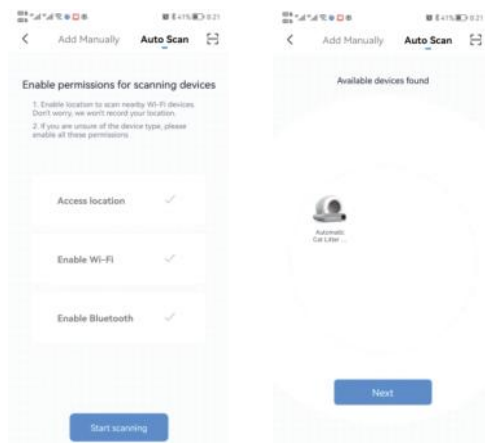
2.2.2 Press "Auto" for 2 seconds, WiFi indicator begin to flash, so the machine began to wait for the network.



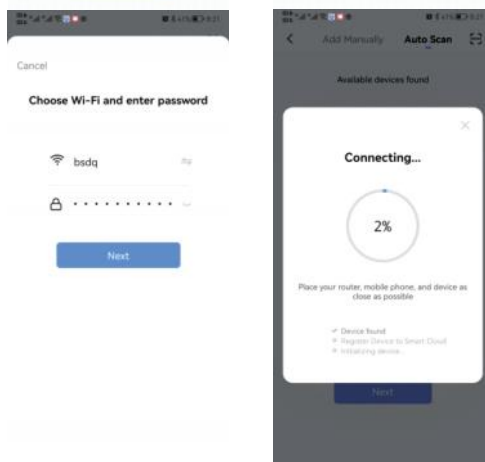
2.2.3 Open your phone App to add equipment or scan automatically.



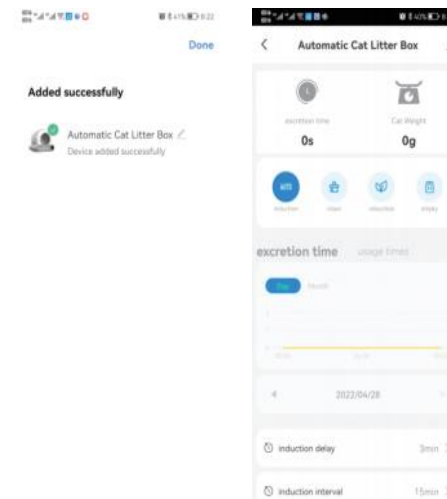
2.2.4 Continue “Next” after scanning the machine.



2.2.5 Continue “Next” after inputting WiFi code and wait to connect.



2.2.6 Enter APP after connecting.



Notice:

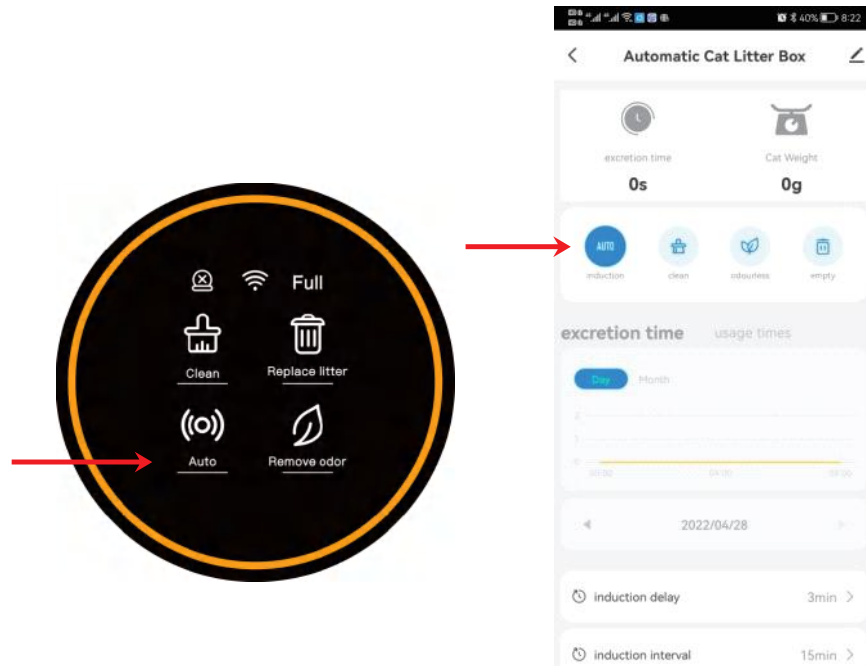
If the network configuration fails or a timeout message is displayed, check the following possibilities:

- ① Whether WiFi, Bluetooth, and Location switch are enabled at the same time.
- ② Whether the WiFi is in 2.4G band and whether the phone is connected to 2.4G band WiFi network. (The product cannot recognize the 5G band network.)
- ③ Whether the WiFi indicator on the panel is flashing during network configuration.
- ④ Whether the WiFi network in your home is faulty or down, please check whether other devices can use the network normally.
- ⑤ Whether the WiFi password is correct.
- ⑥ Whether the WiFi signal is too bad, please move the machine to a nearby router and reconnect.
- ⑦ The router connects to many wireless devices, causing IP address conflicts.
- ⑧ For dual-frequency routers, the network cannot be configured directly. Users need to separate 2.4G and 5G into independent channels in router Settings, and then select 2.4G channel for network configuration.

III OPERATING INSTRUCTIONS

3.1 Auto:

Click "Auto" on the panel or on the App to start auto sensing for cats in and out.
(It will open automatically after the product is powered on and self-checked.)

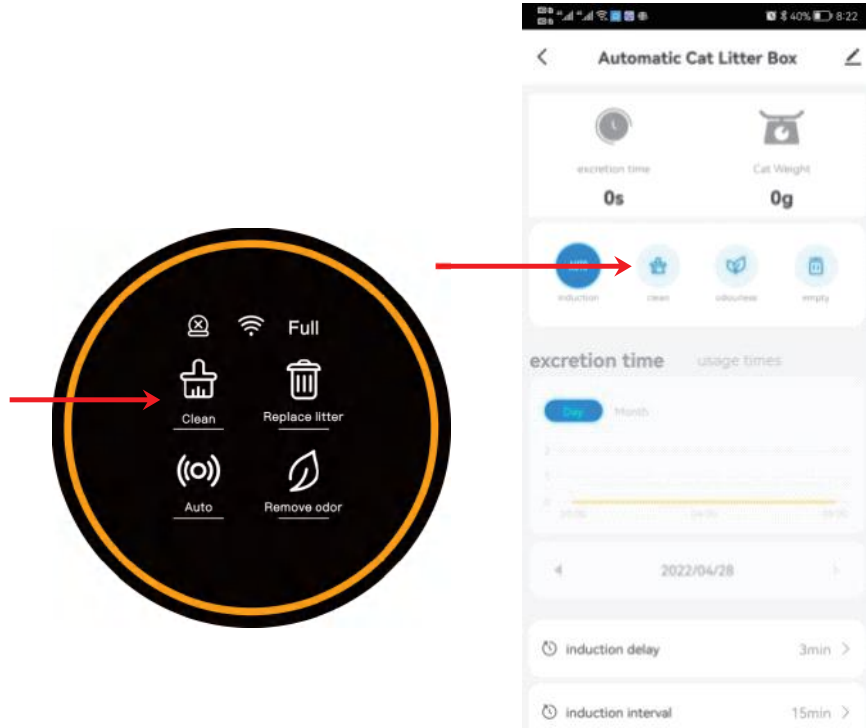


Notice:

- ① Please click "Auto" on the panel or on the App to close auto sensing, if you have kittens less than 1kg or the cat is pregnant. Then click "Clean" by your hand according to the actual use of the machine.
- ② If you are using litter that clumps quickly, you can adjust the "cleaning wait time" in the App, such as 1 minute, to clean the litter as quickly as possible and reduce the smell. If you are a multi-cat family, you can adjust the "cleaning interval" in the App, for example 30 minutes, so as to avoid repeated ineffective cleaning of the product.
- ③ If the cat enters the bin for more than 10 seconds, the cat is judged to have potty behavior. After the cat leaves for 3 minutes, the automatic cleaning procedure will be performed. (The default interval between cleanups is 15 minutes to prevent the product from being started too frequently during multiple cats use. If the machine don't work after your second cat pees, it may because the interval these two pees is less than 15 minutes.)
- ④ The button on the App cannot be closed/opened or synchronized with the panel temporarily, please check the network status or re-configure the network or click the corresponding button on the App and repeat once or twice.

3.2 Clean:

Click“Clean”on the panel or on the App to start clearing immediately.



Notice:

- ①During the clearing process, all keys are suspended. If you need to perform other functions, please wait until the clearing process is complete.
- ②Prolong the waiting time for cleaning in phone App when the cat has diarrhea, so as to allow the cat litter to take enough time to clump and reduce the pollution of soft feces to the ball bin.
- ③If you have restarted the machine, the waiting time of“Clean”procedure will be restored to the default value 3 minutes, which can be reset in the APP if necessary.(setting range: 0 to 60 minutes)
- ④Prolong the interval time between two clearings when you have multiple cats,so as to prevent repeated cleaning of products.
- ⑤If you have restarted the machine, the interval time between two clearings will be restored to the default value 15 minutes, which can be reset in the APP if necessary.(setting range: 0 to 120 minutes)

3.3 Add cat litter:

- ① In "Auto" mode, if more than 1kg of litter is added, the "Auto" icon will flash. No action is needed — after 15 minutes, the litter box will automatically level the litter and reset the weight, then return to "Auto" mode. If you prefer not to wait, simply press and hold the "③" button for 2 seconds or more to instantly smooth the litter and reset the weight.
- ② After adding litter, simply reconnect the power. The litter box will self-check, level the litter, and enter "Auto" mode.
- ③ Add a small amount of litter first, then press and hold button "③" to level the litter and reset the weight. Make sure the litter surface is between the "MAX" text and the line — do not cover the "MAX" text completely.

Recommended suitable cat litter:

Mineral litter, Bentonite litter

Compatibility Cat litter:

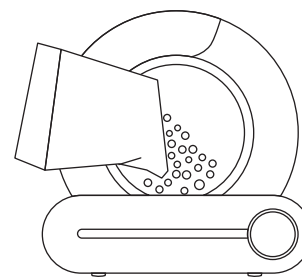
- ① Tofu litter (diameter not more than 2.5mm, length not more than 15mm)
- ② Mixed litter of Tofu litter and Bentonite litter (diameter not more than 2.5mm, length not more than 15mm).

Cat litter that is not recommended:

- ① Crystal litter, crystal litter can not clump well, which will bring a serious cleaning burden to the inner wall of the cat litter basin.
- ② Tofu litter with the length of more than 15mm, poor fluidity and filtration, there will be some stuck inside the filter. This phenomenon can also be alleviated by adjusting the parameter to 6 by "litter surface calibration" on the App.
- ③ Low-density cat litter, such as pine wood cat litter and activated carbon cat litter, it is difficult to rely on its own weight to pass through the filter. Some of them will be stuck inside the filter. This phenomenon can also be alleviated by adjusting the parameter to 6 by "sand surface calibration" on the App.

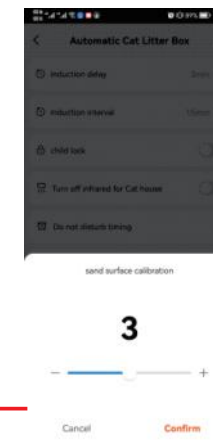
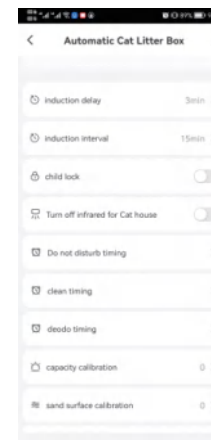
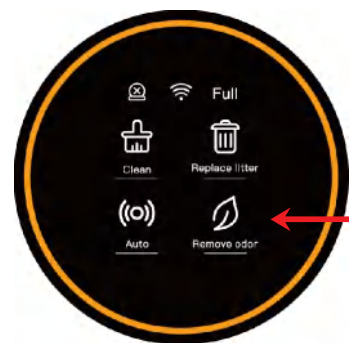
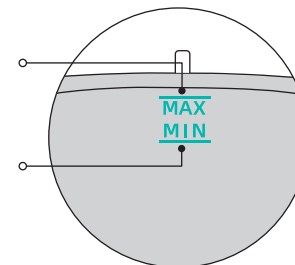
Notice:

- ① The machine won't stop when it is smoothing sand even cat enters in at this moment. But don't worry. The machine only swing in some angles, this swing won't hurt cat. (Besides this situation, the machine has protection function. It will stop immediately once cat walks close to the entrance during clearing.)
- ② Please make sure the height of the sand is between MIN line and MAX line after adding. If not, please adjust it with method 2.
- ③ You can find the sand surface correction option on the App to adjust the position of the sand. (In grade 0, the sand surface is tilted to the left, and in grade 6, the sand surface is tilted to the right.)



MAX Line
The amount of cat litter should not exceed Max line

MIN Line
The amount of cat litter should not be lower than Min line

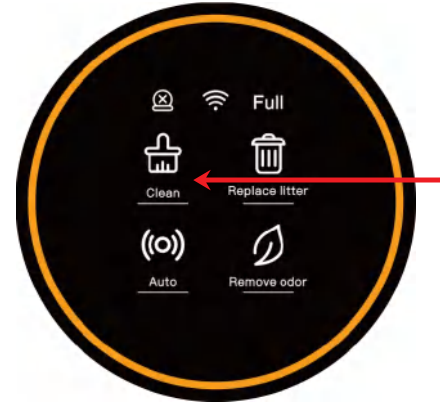
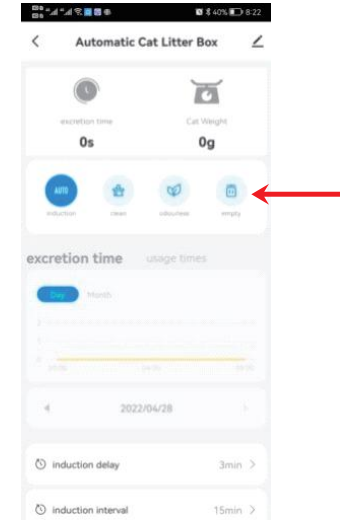
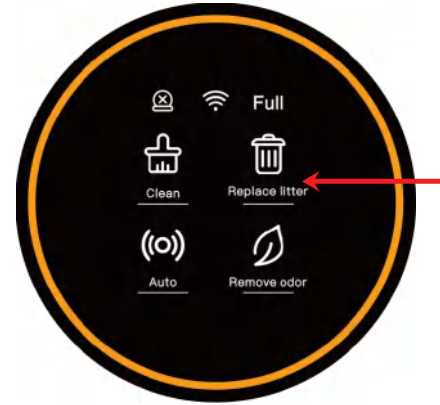


3.4 Replace litter:

- ① Replace the garbage bag with an empty one (to avoid that the original one is already full of litters);
- ② Make sure the rest sand is close to MIN line (to avoid the overflow when the bin rotates);
- ③ Press "Replace Litter" for 2 seconds, then wait the machine to clear the rest sand; (about 3 minutes)
- ④ Replace the garbage bag with an empty one again after clearing sand;

Notice:

- ① Click "Replace Litter" again to cancel if you click it by mistake or if you find you have forgot to replace the garbage bag first.
- ② For fine mineral sand, when to replace the bag (step ①), to avoid the overflow of mineral sand from the mouth of the bag, you can firstly press "Clean" for 2 seconds; then the litter bin will rotate 90° counterclockwise to ensure that the mouth of the bag is upward when replacing. After bag replacement, repeat ③ and ④.



3.5 Remove Odor:

Method 1 :

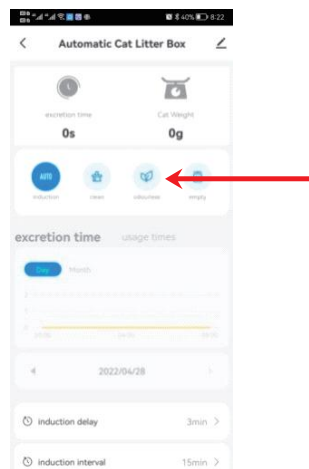
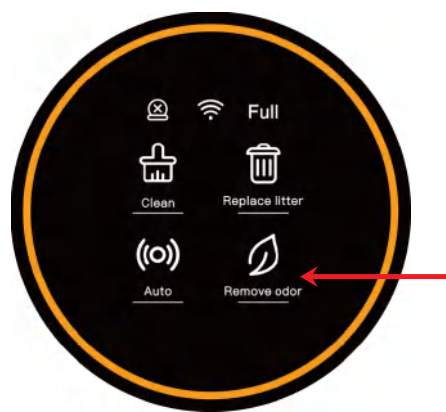
Click "Remove Odor" on the panel or click "Odorless" on your phone App.

Method 2

Set regular work on your phone App.

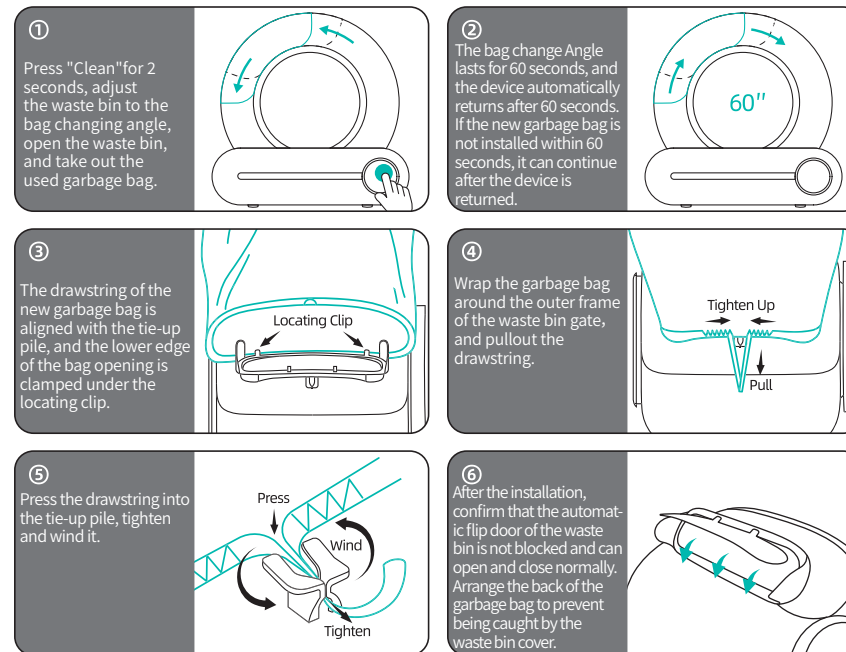
Notice:

- ①The machine will remove odor automatically for 30 minutes after every clearing.
- ②It will stop automatically once cat enters in, continue to work after cat leave.



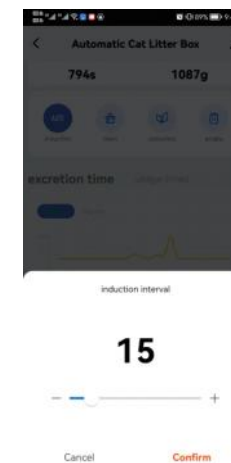
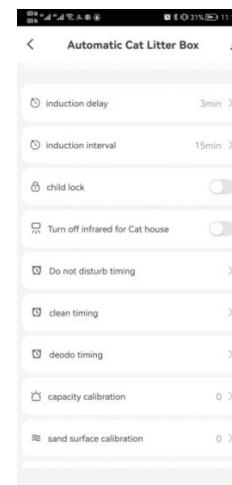
3.6 Replace garbage bag:

When indicator "Full" lights up, you need to replace the garbage bag.



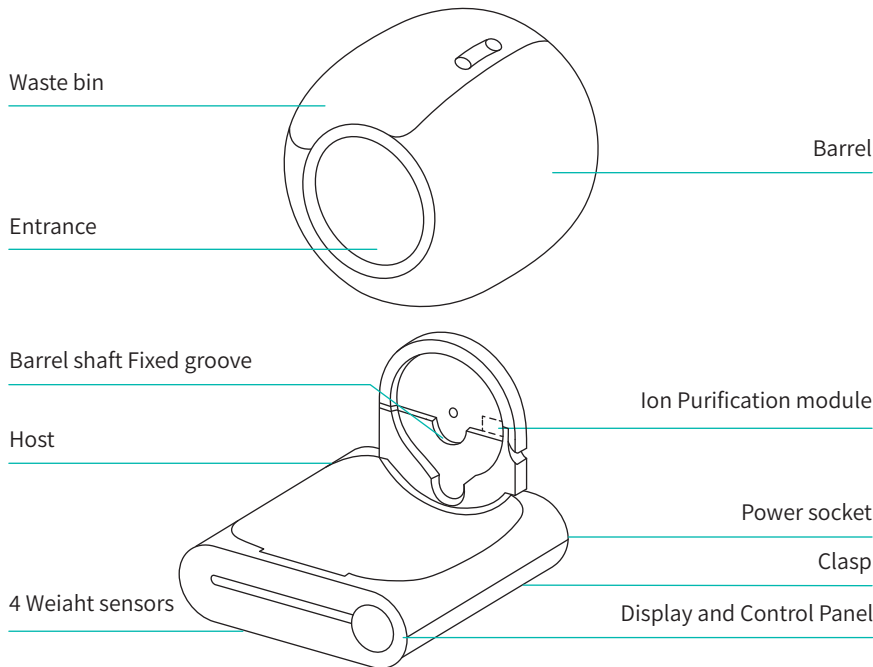
Notice:

- ①The “Full” prompt is only a reference value. When using different types of cat litter, its volume, density and fluidity will affect the judgement of “Full” prompt. In the APP, you can adjust the delay of “Full” prompt according to your own use. The default value is 0 (there is still a little space in bag for garbage), and the maximum value can be adjusted to 15.
- ②If you have restarted the machine, the delay of “Full” prompt will be restored to the default value 0, which can be reset in the APP if necessary.
- ③Normally, the storage capacity of one cat can reach 15 days, and three cats can reach 5 days. Users can replace the garbage bag every 5 days depending on the number of cats or temperature conditions.



3.7 Cleaning and Maintenance:

- ① Power off the device and remove the waste bin.
- ② Clean and dry the waste bin thoroughly, then reattach it to the base and add cat litter.
- ③ Plug in the power, the device will reset automatically, enter "Auto" mode, and be ready for use.

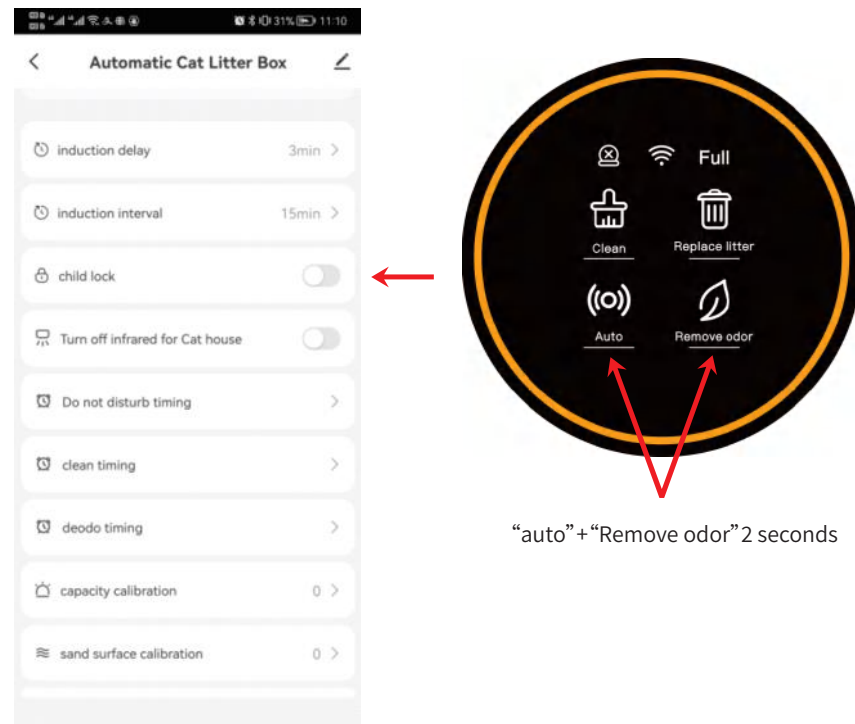


Notice:

If the indicator of bin sign lights up, please restart the machine or click "Clean" to make it clear once.

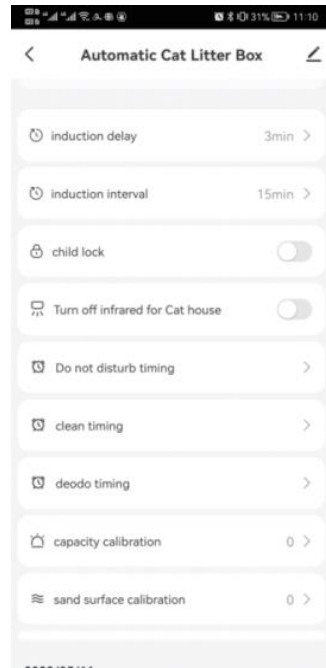
3.8 Lock the keyboard:

Hold down "Auto" + "Remove Odor" for more than 2 seconds, or click the "Child Lock" on the app to enable or disable the child lock function.



3.9 Turn off or turn on infrared sensor:

When cat litter box is placed in a cage or a narrow space, please hold down “Clean”+“Replace litter”for more than 2 seconds, or click the bucket infrared sensor option in the APP to turn off or on the bucket infrared sensor to prevent the machine from always judging wrongly.



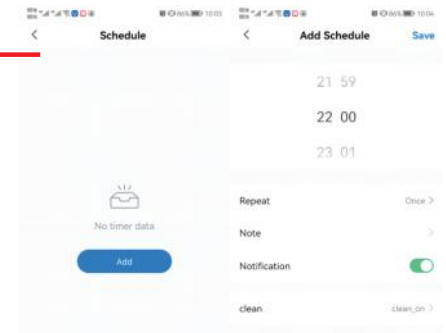
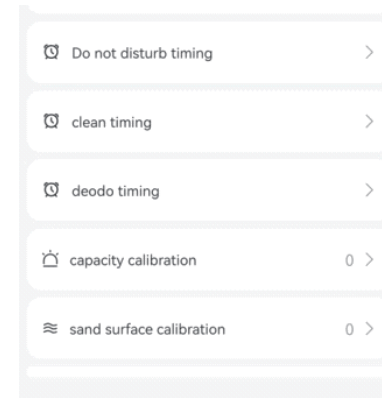
“Clean” “Replace litter” 2 seconds



3.10 Timing:

3.10.1 sleep mode

When cat litter box is placed in the bedroom, you can set in the App "Do not Disturb Timing"to prevent the night-time activation from disturbing sleep.



Notice:

- ①During the DND period, the light on the panel will be off. Touch any button to exit the DND mode immediately.
- ②If the product is clearing when setting DND, the machine will enter the DND state after the cleaning is complete.

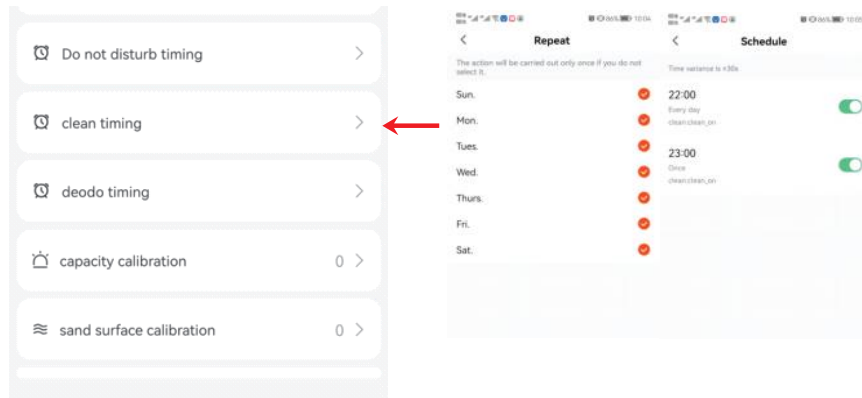
3.10 Timing:

3.10.2 Regular clean-up mode

Set the machine to clean regularly in the App “Clean Timing”.

3.10.3 Timing net flavour

Set the machine to remove odor regularly in the App “Deodo Timing”.



Notice:

If the execution time of these scheduled procedures overlap with the DND time, the product will first perform odor and cleaning, and then return to DND mode.

IV FAULT SELF-CHECK METHOD

4.1 Re-power on the product,click “Remove Odor” for more than 5 times within 2 minutes, then the product will enter the testing mode.

4.2 In testing mode:

- ①Click each key to check whether the key works properly.If it works properly, the PCB hardware is good.
- ②Press the machine from the top with a force of more than 1kg to see whether the “Full” indicator flashes.If it does, the gravity sensor is good.
- ③If the bin mark keeps lighting up, the motor is good.
- ④If the WiFi mark keeps lighting up, the WiFi hardware is good.
- ⑤Cover the infrared sensor at the barrel mouth,if the “Auto” mark flashes, the sensor is good.

4.3 Re-power on the machine after checking.

V FAQ

Q: Why is the App showing motor failure/why is the fault indicator lighted on the equipment panel/why is the equipment always self-checking?

A: If the self-check takes more than 15 minutes, the fault indicator is on. It may be that the barrel compartment is not properly installed or there is foreign matter stuck in the rotation. Please open the buckle of the barrel compartment, lift the barrel to check, and then put it back according to the tips(on the base) and close the buckle.

Q: Why is the clearing time so long?

A: Lower revs make timid cats less scared; It will prolong the whole clearing time if cats enter in or come close frequently due to curiosity.

Q: Why the machine rotates back for a while before finishing the whole rotation?

A: In order to save sand and increase the capacity of the collection bin;

Q: Why the poop can't be cleaned to the garbage box?

A: The door may be blocked by cat litter or garbage bag, or garbage too large to pass through; Please check whether the garbage entrance can be fully opened and closed smoothly(it is recommended to check every time after installing new bag). Large garbage can be handled manually to make it smaller first.

Q: Why does the app automatically remove the product after it's been configured?

A: It is recommended to start the child lock feature. This will help prevent the cat from accidentally pressing buttons. Some cats may rest on the product, and their body or nose contact can lead to unintended actions.

Q: What kind of cat litter sand should I use?

A: Mixed sand and tofu sand are preferred; Bentonite sand and mineral sand are okay, may affecting the delay time of "Full" prompt due to their weight density and liquidity.

Q: Why is there some sand left in the bin after I used the "Replace Litter" function?

A: Maybe there is not enough space in garbage bag, please replace the bag then "Replace Litter" again.

Q: why is the sand leaking out from the mouth of the garbage box when replacing garbage bag?

A: Please Press the button "②" for 2 seconds, then the litter bin will rotate 90° counterclockwise to ensure that the mouth of the bag is upward when replacing.

Q: Why the machine didn't stop working while cat enters in?

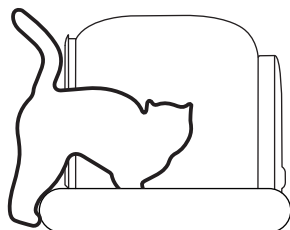
A: The machine won't stop when performing sand leveling and weight calibrating. However, the safe structure of the product, together with the rotation Angle of the action($\pm 45^\circ$) is no danger for the cat to enter in when working.

Q: Why does the machine often go offline in the app?

A: Please refer to the network configuration process in the product manual and reconfigure the network in the correct order, or refer to the offline reasons in the "Network Configuration" section of the manual for detailed troubleshooting..

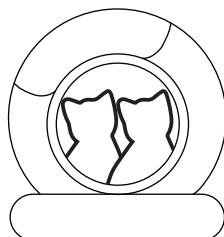
Q: Why does the app sometimes show inaccurate cat weight?

- A: 1. A moving or active cat inside the box may cause slight weight fluctuations. This is normal.
2. Two or more cats entering at the same time, or one cat entering right after another, may affect the accuracy.
3. A cat entering with only part of its body inside can lead to large weight errors.



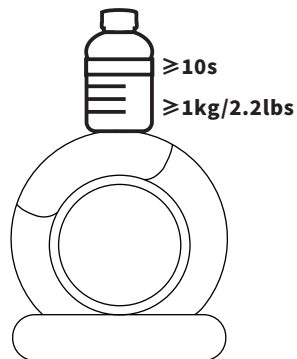
< Correct Weight

Cats only enter half of their bodies for long periods of time.



> Correct Weight

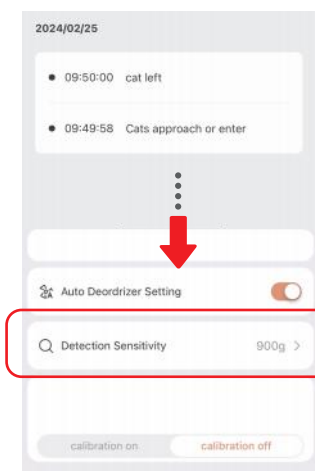
Multiple cats stay together in/on the barrel.



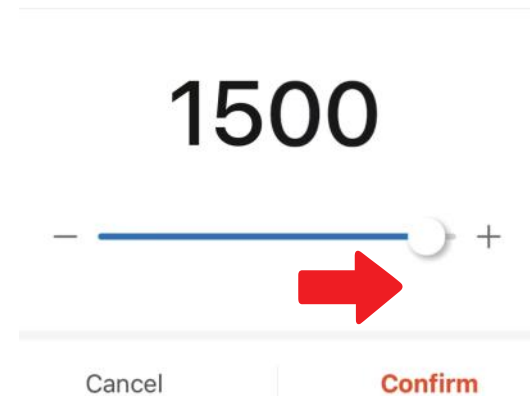
If you feel the weight is inaccurate, you can place a bottle of mineral water on the product. The weight should exceed 1kg (2.2lbs). Wait for 10 seconds, then remove the bottle. Check if there is a large static weight deviation.

Q: Why does the machine pause during the cleaning process even when no cat is inside?

- A:1. Adjust the sensitivity to a value of 1500.
2. Make sure the machine is not near a wall or other objects.
3. The machine has four weight sensors at the bottom. For accurate weight measurement, all four feet must be in contact with a flat and firm surface. Ensure the machine is placed on a stable, solid ground.
4. If the surface is uneven, moving the machine a few centimeters can help reduce weight data discrepancies.



1 Slide down the APP interface to the bottom. (The next section of "Activity Log")



2 Find the "Detection Sensitivity" function.

3 Adjust the value to 1500.

Q: Why are there wrinkles on the silicone mat inside the barrel?

A: Wrinkles on the silicone mat are normal. Due to the corrosive nature of cat urine, the material may shrink slightly after prolonged use. During production, sufficient allowance for shrinkage was made, which is why wrinkles may appear.

Q: What should I do if the silicone mat inside the bucket is torn by my cat?

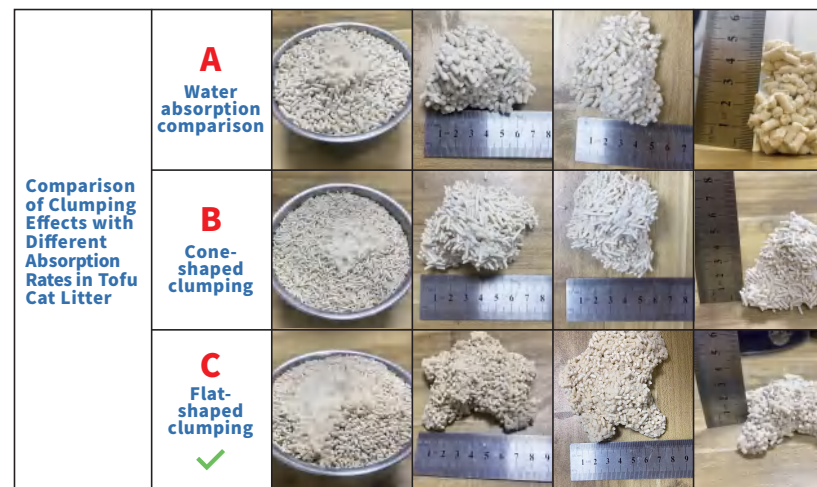
- A: 1. Offer your cat some toys or a scratching post to help burn off excess energy, divert their attention, and reduce destructive behavior.
2. If the mat is severely damaged, please replace this part.
3. If the damage is minor, you can repair it using waterproof tape, such as tent tape.

Q: Why does the product have a strong odor after using it for a period of time?

- A: 1. Please check whether urine has accumulated between the barrel and the base. If so, please install the baffle grate.
2. Is it used by large cats, is the cat in its physiological period, or has territorial marking behavior. Although large cats can use it normally and achieve automatic cleaning, urine often contacts the inner wall of the barrel first, and then flows to the cat litter area at the bottom. If the inner wall is stained with cat urine and is not cleaned regularly, the odor will be aggravated. It is recommended to clean the barrel every 15 days.
3. Whether the cat litter is replaced regularly. When the cat litter has insufficient clumping ability, small fragments may remain in the cat litter. If the cat litter is not completely replaced for a long time, the odor problem will also be aggravated. It is recommended to completely replace the cat litter every 15 to 30 days according to the performance of the cat litter.

Q: Why do cat waste clumps stick to the base and not fall off on their own?

- A:1. If the waste clump is sticking to the middle area of the base, check if there is enough litter. If the litter level is too low, please add more litter.
2. If the clump is sticking to the edge of the base, try adjusting the cleaning wait time and cleaning interval, such as setting it to 0 minutes.
3. Different types of cat litter have varying absorption rates. Please check the absorption rate of the litter you are using. It is recommended to choose litter with a higher absorption rate and faster absorption speed.



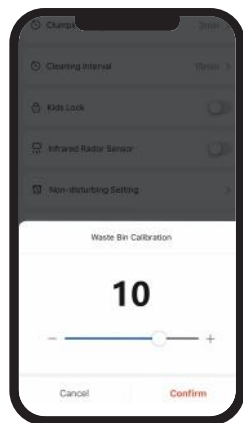
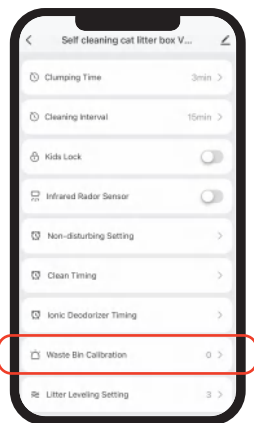
*Cat litter with good water absorption will quickly form a flat cat litter ball and will not easily stick to the bottom.

Q: Why does the product enter a repetitive cleaning cycle?

- A:1. Disconnecting and reconnecting the power supply can help restore normal operation.
2. Avoid pressing the buttons repeatedly immediately after powering on.

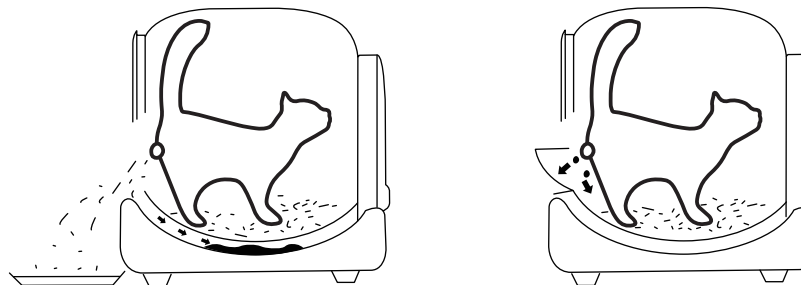
Q: Why does the "full" warning not match the actual waste bin status, or why doesn't the warning disappear?

- A:1. The "full" warning is intended to alert you that the waste bin is nearing full capacity. Even if it appears, the machine will continue operation until the bin can no longer hold any more clumps. For a 4kg cat, the bin may last about 15 days, but to avoid odors, we recommend changing the waste bag at least once a week.
2. When the "full" light is on, please replace the waste bag, press the cleaning button once, and wait for the cleaning to complete. The "full" warning will then disappear.
3. If there are foreign objects between the barrel and the base, they may affect the operation, causing the "full" warning to trigger falsely. Please check and remove any possible obstructions.
4. If the "full" warning appears even though there's still space in the bin, you can adjust "Waste Bin Calibration" in the app. The value ranges from 0 to 15. Gradually increasing the value can help achieve more accurate alert conditions.



Q: Why is there urine and cat litter between the barrel and the base?

A: Please check if the baffle grate is properly installed. When first using the product, you may temporarily remove the baffle grate, to help your cat adjust to the new litter box. Please reinstall the baffle grate as soon as the cat has adapted. This will effectively prevent litter and urine from getting into the gap between the barrel and the base, avoiding unnecessary odors.










Q: Why can't the buttons be operated?

- A:1. When the product is powered on, it needs to complete a self-test process. You can only operate the buttons after the self-test is finished.
2. If the product is cleaning, the buttons will be temporarily unresponsive. Please wait until the machine completes its rotation.
3. If you're having trouble with the app controls, check the product's network connection to ensure it's working properly.

Q: Why does a lot of clean litter end up in the waste bag during cleaning?

- A: 1. If the litter is overfilled, try reducing the amount to avoid excess litter being moved into the waste bag.
 2. Ensure the litter size matches the filter specifications. Refer to the last page of the manual for adjusting cat litter size accordingly.


Cat Litter Adaptability Reference

| Adapt | 1:1 Reference | Size |
|-------|---|---|
| ✓✓✓ |  | $\leq \Phi 2\text{mm}$ |
| ✓✓✓ |  | $\leq \Phi 3\text{mm}$ |
| ✓✓✓ |  | $L \leq 8\text{mm}$ $\Phi \leq 2\text{mm}$ |
| ✓ |  | $8 \leq L \leq 12\text{mm}$ |
| ××× |  | $L \geq 12\text{mm}$ |
| ✓ |  | $L_1/L_2 \geq 6\text{mm}$ |
| ××× |  | $L_1/L_2 \geq 8\text{mm}$ |


Q: Why is the cat litter uneven after cleaning?

- A: 1. Check if enough litter has been added. If the litter level is too low, it may cause noticeable unevenness after cleaning.
 2. Different types of litter have varying flow characteristics. Some litters may not distribute evenly. If the surface has a noticeable tilt, you can adjust it using the "Litter Leveling Setting" feature in the app.
 3. After cleaning, the litter surface will be even. However, if you restart the machine, the litter may show slight tilting. This is normal, please rely on the litter surface after cleaning.


Gargage Bag Replacement Guide





1. Press and hold the button to replace garbage bag.



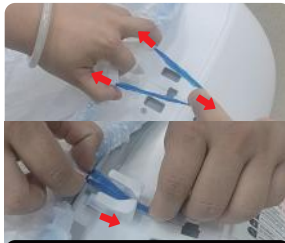
2. Open the waste drawer door.



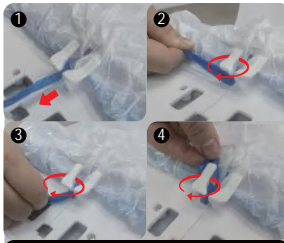
3. Fix the bag under the positioning clip.



4. Pull out the drawstring.




5. Pull the drawstring out between the two winding stakes.



6. Wrap and tie the drawstring around a winding stake. (DO NOT tie to two stakes)

Further Tightening



1. Replace a new garbage bag at the waste bin.



2. Slide the strap along the waste bin into the gap below opening.




3. Hold both ends of the strap, pulling it from lower edge to the upper.



4. Buckle up.

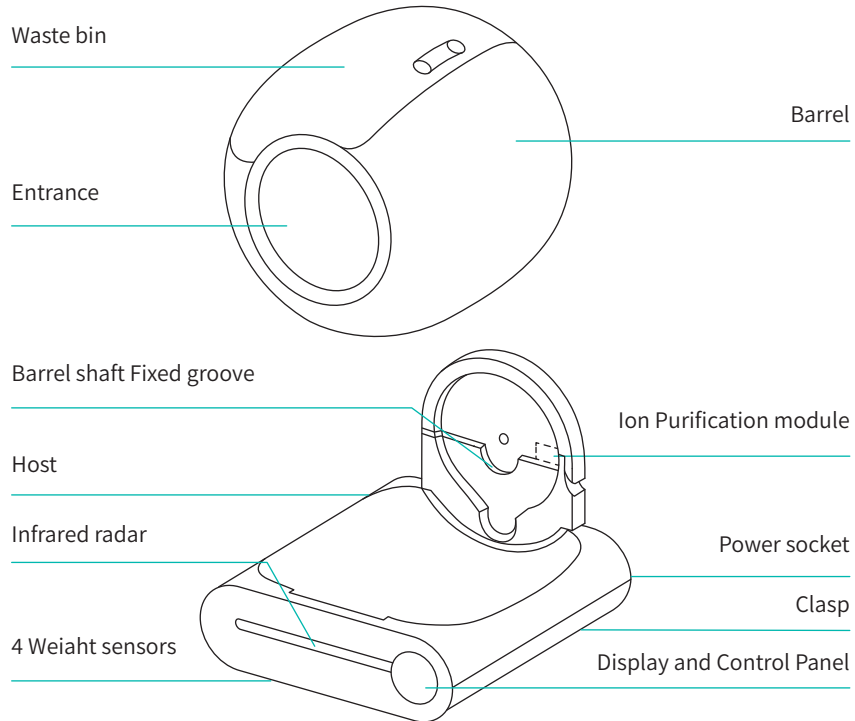


5. Buckle up.



6. Tidy up the buckle.

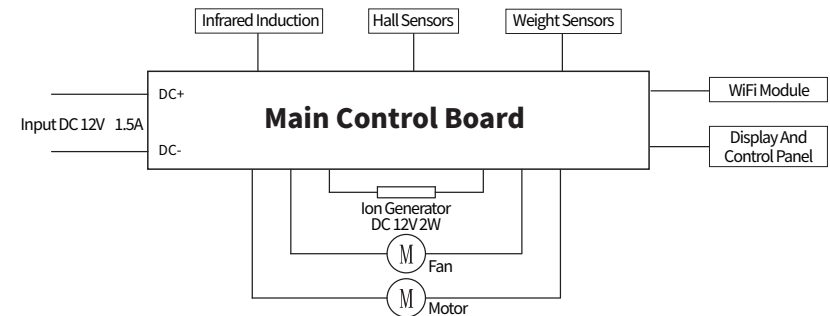
VI PRODUCT LIST



VII INTRODUCTION OF CONTROL PANEL

| Category | Function | Operation | Status | Prompt tone |
|-----------|-------------------------|------------------|---|------------------|
| wifi | Clean | Click | Start cleaning immediately | one ring |
| | Replace litter | Press for 2" | Start replacing cat litter | Long ring for 1" |
| | Auto cleaning | Click | Start Auto cleaning | one ring |
| | Remove odor | Click | Start purifying the air | one ring |
| | Join network | Press for 2" | Reset WiFi to start join network | Long ring for 1" |
| | Leveling | Press for 2" | Leveling the cat litter | Long ring for 1" |
| | Change garbage bag | Press for 2" | Adjust the barrel angle to the bag changing position | Long ring for 1" |
| | Lock/Unlock | Press + for 2' | Locked/Unlock | Long ring for 3" |
| Indicator | Ring lamp | Lighting | Power On | |
| | Fault lamp (left) | Lighting: | Barrel is not installed or it cannot run | |
| | WiFi lamp (middle) | Flash: | The device is connected | |
| | | Flash: | The device is trying to connect to the network | |
| | | Unlit: | The device is not connected | |
| | Waste full lamp (right) | Lighting: | Remind users to replace garbage bag when the waste bin is almost full | |

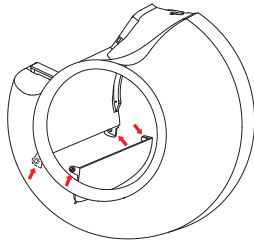
VIII CIRCUIT DIAGRAM



IX Filter and Bottom tray Disassembly & Assembly

In order to facilitate users disassembly and assembly, the two accessories as shown in the picture are fixed with buckles. If they fall off during transportation, it is a normal phenomenon. Please refer to this picture, after installation, it can be used normally.

Disassembly & Assembly of ball bin filter



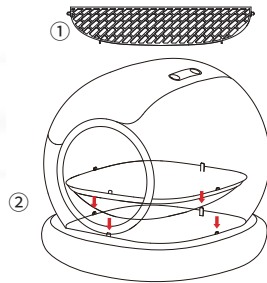
1. Disassembly & Assembly method of filter

Hold the left and right sides of the filter and align it with the shaft hole of the filter baffle, Disassembly & assembly can be completed

Disassembly & Assembly of ball bin bottom tray



Scan the QR code to watch the disassembly & assembly video

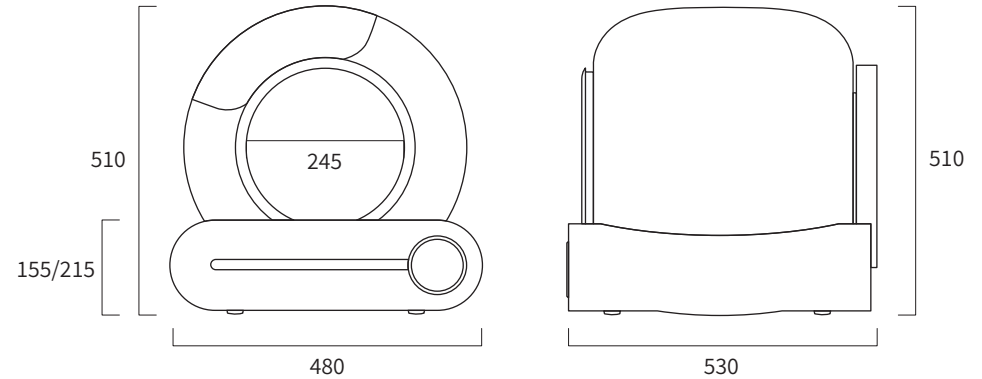


2. Disassembly of bottom tray

- 2.1 Remove the filter first
- 2.2 After aligning the front and rear anchor points, press the four anchor points into the installation slots in sequence
- 2.3 In order to improve the fitting area between the bottom tray and the ball bin, the edge of the bottom tray is relatively sharp Please wear gloves when disassembling

Note: Daily cleaning does not require removing the silicone bottom mat. If there is any damage from biting or scratching, please follow these instructions to replace it.

X PARAMETERS AND SPECIFICATIONS



| | | |
|----------------------|---------------|------------------------|
| Product Name | Product Model | Whole Machine Size |
| Smart Cat Litter Box | MSP-01 | 480(W)×530(D)×510(H)mm |
| Rated Voltage | Rated Power | Suggested Pet Type |
| DC12V | ≤18W | cat |

IC Statement:

Radiation Exposure Statement:

This equipment complies with IC radiation exposure limits set forth for an uncontrolled environment. This equipment should be installed and operated with minimum distance 20cm between the radiator & your body.

Déclaration d'exposition aux radiations:

Cet équipement est conforme aux limites d'exposition aux rayonnements IC établies pour un environnement non contrôlé. Cet équipement doit être installé et utilisé avec un minimum de 20 cm de distance entre la source de rayonnement et votre corps.

This device complies with Industry Canada license-exempt RSS standard(s). Operation is subject to the following two conditions:

- (1) this device may not cause interference, and
- (2) this device must accept any interference, including interference that may cause undesired operation of the device.

Cet appareil est conforme avec Industrie Canada RSS exemptes de licence standard(s). Son fonctionnement est soumis aux deux conditions suivantes:

- (1) cet appareil ne peut pas provoquer d'interférences, et
- (2) cet appareil doit accepter toute interférence, y compris celles pouvant causer un mauvais fonctionnement de l'appareil.

FCC Statement

This device complies with part 15 of the FCC Rules. Operation is subject to the following two conditions: (1) This device may not cause harmful interference, and (2) this device must accept any interference received, including interference that may cause undesired operation.

This equipment has been tested and found to comply with the limits for a Class B digital device, pursuant to Part 15 of the FCC Rules. These limits are designed to provide reasonable protection against harmful interference in a residential installation. This equipment generates uses and can radiate radio frequency energy and, if not installed and used in accordance with the instructions, may cause harmful interference to radio communications. However, there is no guarantee that interference will not occur in a particular installation. If this equipment does cause harmful interference to radio or television reception, which can be determined by turning the equipment off and on, the user is encouraged to try to correct the interference by one or more of the following measures:

- Reorient or relocate the receiving antenna.
- Increase the separation between the equipment and receiver.
- Connect the equipment into an outlet on a circuit different from that to which the receiver is connected.
- Consult the dealer or an experienced radio/TV technician for help.

Any Changes or modifications not expressly approved by the party responsible for compliance could void the user's authority to operate the equipment.

This equipment should be installed and operated with a minimum distance of 20cm between the radiator and your body.

This equipment complies with the FCC radiation exposure limits set forth for an uncontrolled environment, This transmitter must not be co-located or operating in conjunction with any other antenna or transmitter.