

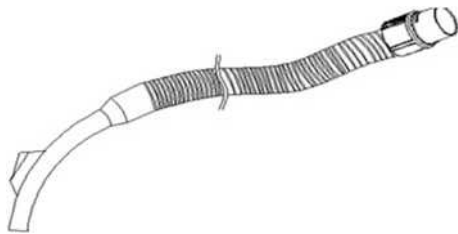
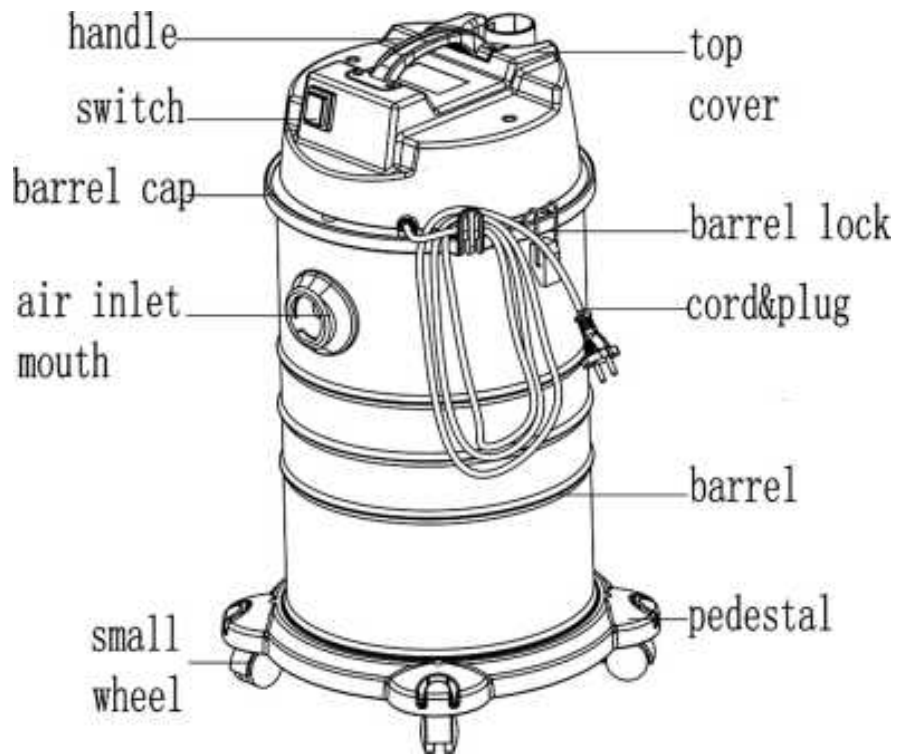
AIRFLO®

INSTRUCTION MANUAL

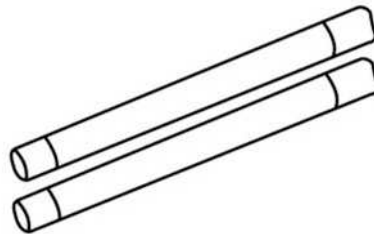


**Wet & Dry Vacuum Cleaner
AFV20**

PARTS



Hose assembly



Rods



Floor brush



Filter bag

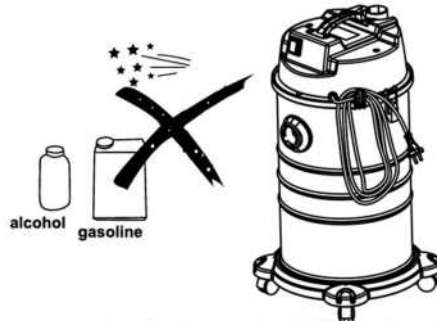


2-in-1 Crevice / Dusting brush

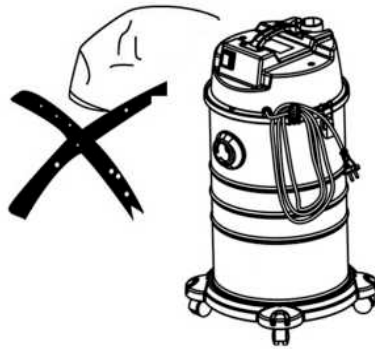
IMPORTANT SAFETY REMINDERS

(1) Before using, check if the local power supply is the same as the specification on the rating label.

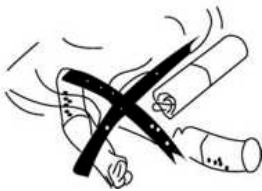
(2) Do not use machine in a combustible place in case the motor spark causes fire.



(3) Do not jam the air inlet mouth, in case temperature rises and damages the motor.



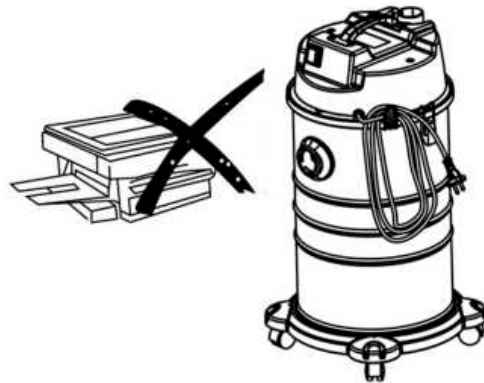
(4) Do not collect flammable objects such as glowing cigarette, gasoline, etc.



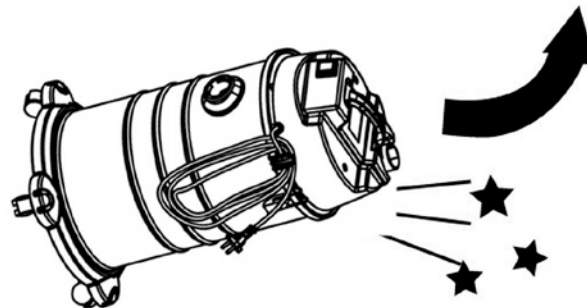
(5) Do not collect sharp objects.



(6) Do not collect objects which can easily attach to the filter such as chalk or powder as it will block the ventilation and will damage the motor.



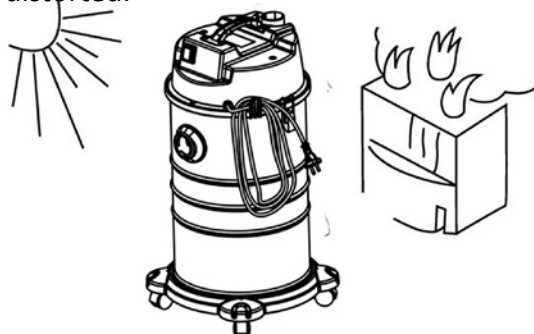
(5) Do not overturn the machine in case water goes into the motor and damages it.



(6) Warning: If water comes out from air outlet mouth, do not overturn the machine when being repaired in case water goes into the motor and causes damage. Do not use this machine as pump in case it damages the motor.

(7) Switch off the machine and remove the plug after every use or when being repaired.

(8) Keep machine away from strong sunlight and high temperature place in case plastic gets distorted.



(9) Do not twist or haul hose.

(10) Do not immerse the barrel cap into water or wash with water in case water goes into the electronic parts and causes injury.

(11) Do not use power cord if damaged.

OPERATION

(1) Connection

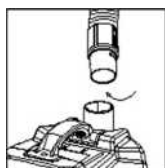
Insert the hose connector into the air inlet mouth, as shown in the picture; make sure the connector is tightly fastened.



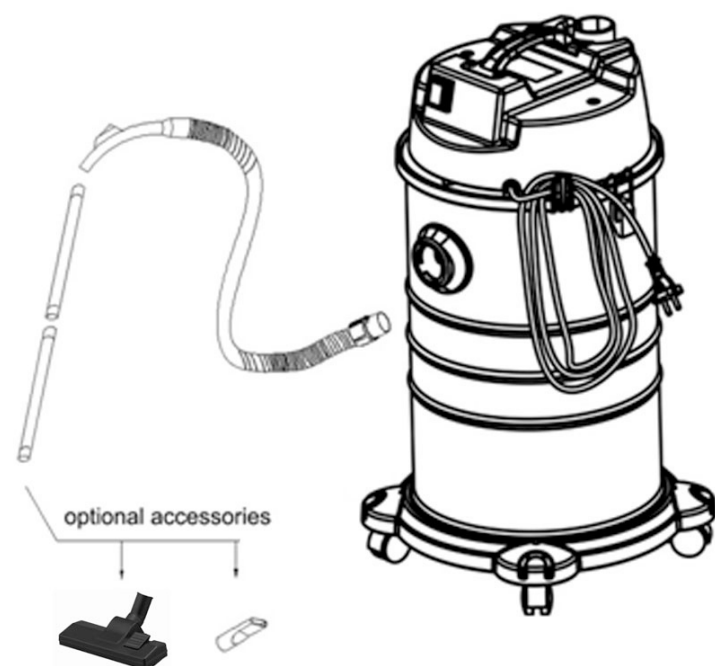
Press the connector button as shown in the picture, and pull the connector out when you want to pull out the hose connector from the machine.



Insert hose connector into the blowing mouth when you want to use its blowing function.

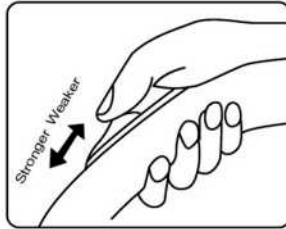
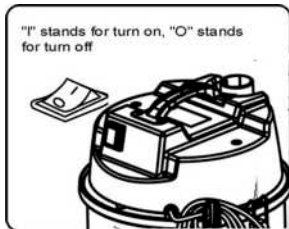


As shown in the picture, connect all the accessories for wet & dry cleaning.



(2) Operation

1. Insert the plug into the supply socket.
2. Press switch button. The machine will start to work.
3. You can adjust the airflow by pushing the sliding block up and down



Protective device

- (1) When the tank is full of water, this Protective Device will rise up. Suction power will stop but an abnormal noise may indicate that the motor is running at a high speed. If this happens, cut off the power immediately and pour out the water from the tank. The machine will begin to work normally afterwards.
- (2) When the machine overturns or shakes excessively, the Protective Device may not work correctly. What you should do is to switch off the machine and turn it upright before continuing to use the vacuum.
- (3) When the tank is full of water, the Protective Device will rise up, suction power will cut off. Pour out all the water from the tank before resuming operation.

MAINTENANCE

(1) Barrel Cleaning

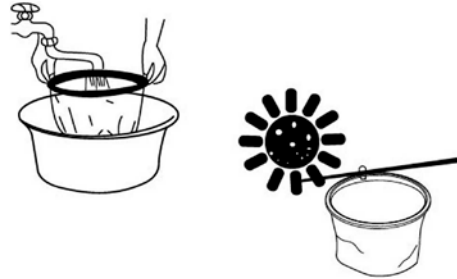
* After working or when the barrel is full of dust which causes suction to decrease considerably, you should cut off the electricity and clean the dust away from the barrel.

- 1) Unfasten the locking knob, lift up the top cover.
- 2) Take off the filter bag, throw out the dust / dirt from the dust barrel.
- 3) Install the filter bag back and place the top cover.

(2) Filter bag cleaning

* Filter bag should be washed with clean and warm water when it is covered with dust.

- 1) Take off the filter
- 2) Wash
- 3) Dry



Product Details

Model	Power	Voltage	Frequency
AFV20	1200W	220V-240V	50/60HZ