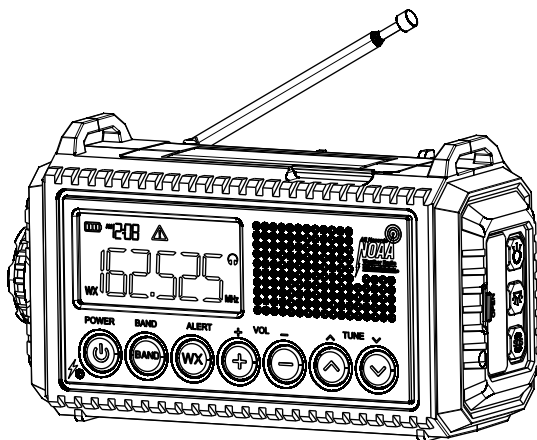


ROCAM®



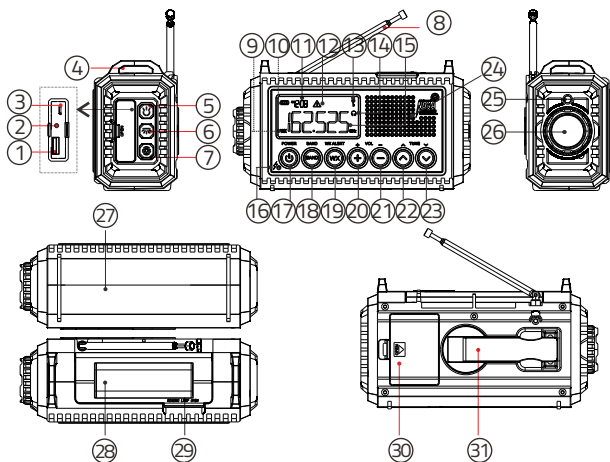
CR1009Pro meets the NWS evaluation criteria for NWR All Hazards logo use

**CR1009
Pro**

Emergency Alert Radio

with AM/FM/SW/NOAA weather/Solar/Hand Crank

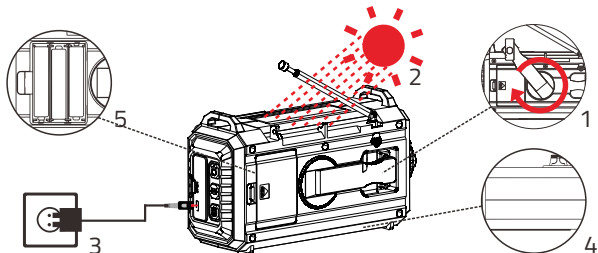
Chapter 1 LOCATION OF CONTROLS



- | | | |
|------------------------------|-------------------------|----------------------------------|
| 1. USB Output Charging Port | 2. 3.5mm headphone jack | 3. Micro USB Input charging Port |
| 4. Carry Strap Holder | 5. Flashlight Button | 6. Reading Lamp Button |
| 7. SOS Control Button | 8. Telescopic Antenna | 9. Band Indicator |
| 10. Battery Indicator | 11. Time Display | 12. Weather Alert Indicator |
| 13. Lock Indicator | 14. Headphone Indicator | 15. Frequency Indicator |
| 16. Power Indicator | 17. Power/Lock Button | 18. Band button |
| 19. WX Alert/Set Time Button | 20. Vol+ / Backlight | 21. Vol- Button |
| 22. Tune+ / Previous Button | 23. Tune- / Next Button | 24. Speaker |
| 25. Red Alert Light | 26. Flashlight | 27. Rechargeable Battery |
| 28. Solar Panel | 29. Reading Lamp | 30. AAA Battery Compartment |
| 31. Crank Handle | | |

	Working/Fully Charged		Battery Charging
	Low Battery Power		Button Lock Indicator
	Weather Alert Indicator		Headphone Indicator
	Lithium Polymer Battery Indicator		AAA Battery Indicator

Chapter 2 POWER SUPPLY MODE



5 ways to power the radio:

1. Hand Crank Power

- (1) Unfold the crank handle from the backside and rotate it in either any direction.
- (2) Rotate the crank handle, It will generate 300-350mA electricity to charge build-in 5000mAh 875771 Lithium Polymer battery.

Note: Rotate the crank handle at the speed of 2 laps per second.
It will generate 300-350mA electricity.

2. Solar Power

- (1) Expose the solar panel to sunlight, don't charge indoors.
- (2) It will generate 30-50mA electricity to charge build-in 5000mAh 875771 Lithium Polymer battery.

Note: Solar panel will generate 30-50mA electricity when exposed to sunlight.
It is difficult to fully charge the rechargeable Lithium polymer battery with solar panel, which is mostly used for maintaining the rechargeable battery.

3. AC Adapter Power Supply

Connect the power plug (5V 2A) with the included micro usb cable, then plug into a 110V-220V standard outlet.

Note: (1) Ensure power plug standard is 5V, or it will damage this radio.
(2) Power plug is not included in the package.

4. Rechargeable 875771 Lithium Polymer Battery

The radio contains a rechargeable 5000mAh 875771 Lithium Polymer battery.

5. AAA Batteries

- (1) Open the battery compartment on the back of the unit and insert 3 AAA batteries making sure the polarity is correct.
- (2) When the built-in Rechargeable Lithium Polymer battery power is low, the power source will be switched to AAA batteries power mode automatically.

Charging Method	Charging 5000mAh 875771 Lithium Polymer Battery			
	30% capacity	50% capacity	80% capacity	100% capacity
Hand Crank Power	5 hours	8.5 hours	14 hours	17 hours
Solar Power	36 hours	60 hours	96 hours	120 hours
Adapter Power Supply	1.8 hours	3 hours	5 hours	6 hours

Battery life under various working conditions

Time \ Mode	POWER OFF	Standby	WX Alert	FM	AM	SW	WB	LAMP	FLASHLIGHT
Hour	6500	100	65	30	30	30	30	40	12

Chapter 3 POWER SWITCH

There is automatic power switch function in this radio.

1. When 875771 Lithium Polymer Battery life is low, it will switch to AAA batteries power mode automatically.
2. When AAA Battery life is low, it will switch to the built-in rechargeable battery power mode.
3. If Rechargeable Lithium Polymer Battery life is low too, then the radio will be turned off automatically.

Chapter 4 CHARGING PHONE or PORTABLE DIGITAL DEVICE

Connect your phone charging cable with the USB output port at the right side of the radio. If the CR1009Pro has no power, you can rotate the crank handle for 8-15 minutes. then your phone will get enough power to start up.

Chapter 5 READING LAMP

1. Flip up the solar panel by 90 degrees to be table lamp.
2. Press Reading Lamp Button and the lamp will be turned to Brightness Level 1.
3. Press the button once again the lamp will be turned to Brightness Level 2.
4. Then press the button again to turn off the lamp.

Chapter 6 FLASHLIGHT

1. Press Flashlight Button to turn on flashlight, and the light will be turn to Brightness Level 1.
2. Press the button once again the light will be turn to Brightness Level 2.
3. Then press the button again to turn off the light.

Chapter 7 SOS ALERT

In a emergency, you can turn on the Alert light and Alert sound.

1. Press SOS Button to turn on SOS alert.
2. Press SOS Button again, the SOS alert will be turned off.

Chapter 8 TIME SETTING

1. To enter time setting, hold press **WX ALAERT** button for more than 2 seconds.
2. HOUR digit will flash , press **TUNE+** or **TUNE-** button to adjust hour setting, press **WX ALAERT** button to confirm.
3. MINUTE digit will flash , press **TUNE+** or **TUNE-** button to adjust minute setting, press **WX ALAERT** button to confirm

Chapter 9 LCD BACKLIGHT SETTING


There are 2 backlight settings: Default / OFF


Default:Backlight will be active for 15 seconds when any button is pressed.

Hold press **VOL+** button to switch to OFF setting,hold press **VOL+** button again to switch to Default setting.

Chapter 10 LOCK BUTTON FUNCTION

During the journey, in order to avoid accidentally pressing the buttons, you can enable the lock button function

Hold press **POWER** button, radio will lock all of buttons, the  icon on LCD will appear.

hold press **POWER** button again, radio will unlock all of buttons, the  icon on LCD will disappear.

Chapter 11 RADIO OPERATION

1. Turn on radio

Press **POWER** button to turn on radio, radio enter standby mode, press **POWER** button again to turn off radio.

2. Band

Repeatedly press **BAND** button to switch from FM, AM, Shortwave, Weather band or standby mode.

Weather Band: Receives all 7 weather band from NOAA, the U.S. National Weather Service which broadcasts in all 50 states, Puerto Rico and the U.S. Virgin Islands.

162.400 / 162.425 / 162.450 / 162.475 / 162.50 / 162.525 / 162.55MHz

AM Band: Receives all local AM stations from 520KHz to 1710 KHz.

FM band: Receives all local FM stations from 87.00MHz – 108MHz.

SW Band: Receives all Shortwave bands from 2.3MHz- 23MHz

Standby mode: Device will exit radio mode ,display only shows time on the display.

3. Volume Control

Repeatedly press **VOL+** or **VOL-** button to adjust the sound volume.

4. Manual Tuning Channel

Repeatedly press **TUNE+** or **TUNE-** button to tune to the desired channel. Each press **TUNE+** button, FM frequency will tune up by 0.1. Each press **TUNE-** button, FM frequency will tune down by 0.1.

5. Auto Scanning Radio Channel

Hold press **TUNE+** or **TUNE-** button for more than 2 seconds to start auto scanning.

Scanning will stop automatically once it receives an available channel.

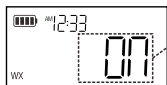
6. Weather Band

Repeatedly press **BAND** button to select WB band, then repeatedly press **TUNE+** or **TUNE-** button to choose one of the WB bands which is for your local weather station.

7. Weather Alert Function

Manual Setting Mode

- (1) To Enable All 7 NOAA Weather Stations for Receiving Alert, press **WX ALAERT** button once.
- (2) When the NOAA Weather Alert function is enabled, the **WX** and **ALERT** icon will show on the LCD display, the red alert light will flash.
- (3) Press **TUNE+** or **TUNE-** button to set time for weather alert, include 4H, 6H, 8H, 12H, 16H, 20H, 24H or ON.



The default setting is ON, which means that the weather alert function will always keep effective until batteries run out. you also can set other time as you preferred, such as 8 hours.

ATTENTION: According to the NOAA NWS standard, in order to ensure the sensitivity of WB signal reception, the working current of the radio should be no less than 50mA. When the built-in 5000mAh battery is fully charged, the radio can maintain the Weather Alert Function for up to 65 hours.

- (4) Press **WX ALAERT** button or wait 5 seconds to confirm the setting. in this case, even you press **POWER** button to turn off radio, the Weather Alert function will also keep effective, but when the Weather Alert timer which you set ends up, the radio will shut down automatically .
- (5) When a weather alert is received, there will be an audible siren, the red alert light, the **WX** and **ALERT** icon and the backlight on the LCD display will flash.
- (6) After a weather alert is received, press any button, the audible siren will be turned off, the red alert light and the backlight will be turned off, the **WX** and **ALERT** icon on the LCD will disappear. Radio will switch to the weather channel which send weather alert automatically.

Standby Mode

Under standby mode, radio can also receive the weather alert, when it receives weather alert, it will sound an audible siren, the red alert light, the **WX** and **ALERT** icon and the backlight on the LCD display will flash.



Contact our experts
lucy@yelow.net

<http://www.yelow.net>



Made in China

Version 2.1