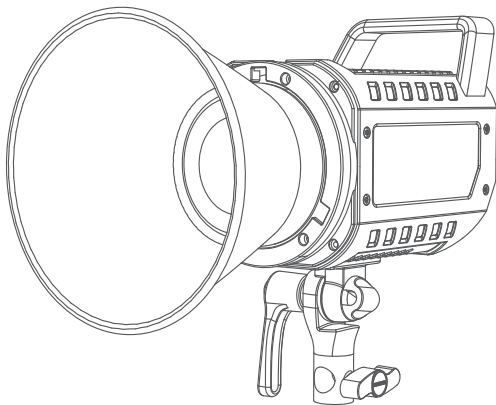


NEEWER

You Create. We Illuminate.



130W RGB LED Video Light
Instruction Manual

Safety Information

Before using the product for the first time, please read the following precautions, ensure the product is complete and in good condition. Please refrain from using damaged spare parts.



Avoid placing flammable materials near the studio light.



Use a hair dryer with brush attachment or clean, soft paper to remove dust and moisture.



Avoid prolonged exposure to and avoid storing the product in direct sunlight.



Ensure the ventilation holes are not blocked during use and avoid covering them at any time.



Refrain from attempting to disassemble or repair the unit yourself.

Safety Information



Avoid using the product in rainy, wet conditions, or other unfavorable weather conditions.



Keep the product out of the reach of children and pets.



Prior to maintenance, ensure the power is turned off and disconnected. Turn off the power when installing or removing accessories.



Do not use chemicals or liquids to clean the light. Avoid immersing any part of the machine in liquid.



The studio light may become hot during use, so refrain from touching it with bare hands.

Product Overview

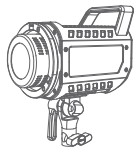
High brightness light source with an advanced optical design and standard scale reflector, providing illumination up to 19800 lx at 1m, which is ample brightness for your various lighting requirements.

Wide color temperature range from 2500K to 7500K, allowing for seamless switching between warm and cold color temperatures, without the need for the use of color filters.

Built-in 17 common special effects scenes with customizable settings. Users can easily simulate a variety of scenes and achieve dynamic effects without the need for complex lighting control.

Improved aesthetic design combining plastic with aluminium alloy, for increased strength and reduced weight, creating a compact and portable product.

Package Contents



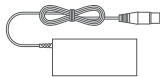
1 x Studio Light



1 x Reflector



1 x Protective Cover



1 x Power Adapter

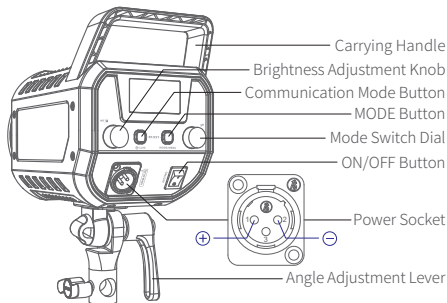
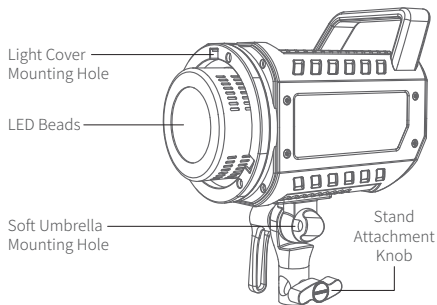


1 x Power Cord

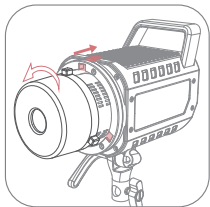


1 x User Manual

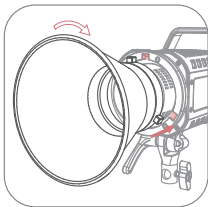
Product illustration



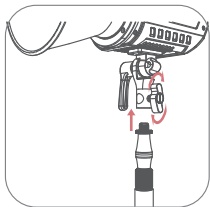
How to Install



① Pull the light cover latch back and rotate the cover counterclockwise until the latch aligns with the hole in the light body. Remove the cover.



② Insert the reflector's metal tab into the hole on the studio light and rotate it clockwise until it is tightly secured.

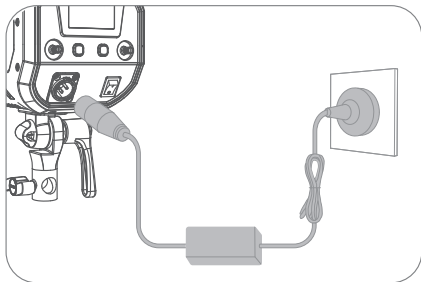


③ Place the light stand into the adapter base and tighten the "stand attachment knob" clockwise to secure it.



④ Loosen the "angle adjustment lever" by turning it counterclockwise. Adjust the angle of the studio light to suit your requirements

How to Install



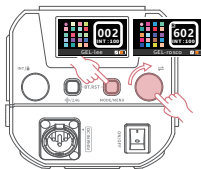
⑤ Connect the studio light to power using the provided power cable and adapter.

※ **Alternatively, you can power the studio light with a V-port battery using the V-Mount battery box (relevant accessories need to be purchased separately).**

Battery warning

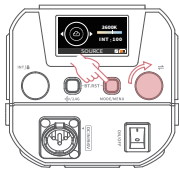
1. Do not attempt to detach, modify, and repair the battery by yourself. Any unauthorized operation may cause battery leakage, overheating, burning, and other hazards.
2. Be sure to use the provided or certified chargers to prevent overcharging and shortcuts.
3. If unusual charging speed and indicator flashing occur, please stop charging and contact our customer service immediately.
4. Keep away from inflammable and explosive items.

How to Use

**GEL Mode:**

Press "**MODE/MENU**" button to enter GEL mode, then press "**⇒**" button to select gel filter type (LEE or ROSCO).

After selecting a gel filter type, turn "**⇒**" dial to pick the required gel filter.

**Source Match Mode:**

Press "**MODE/MENU**" button to enter source match mode.

Turn "**⇒**" dial to choose from 17 different light sources.

Natural Light Sources:

Sunrise/Sunset
1800K



Candlelight
1900K



Dawn
5000K



Daytime
5500K



Daylight
6500K



Cloudy
7000K



Moonlight
8000K



Blue Sky
10000K

How to Use

Video Lamp Light Sources:

Incandescent
Lamp
3200K



Video Lamp
3300K



Modeling
Lamp
3400K



5600
Dysprosium
Lamp
5600K



Daylight
Dysprosium
Lamp
6000K

Other Light Sources:

Sodium-
Vapor Lamp
2200K



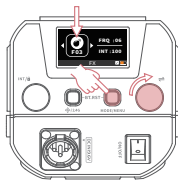
Warm White
Halogen Lamp
2700K



White Halogen
Lamp
4300K



Xenon Short-
Arc Lamp
6200K

**Special Scene Effects:**

Short press the "**MODE/MENU**" button to enter FX mode.

Turn the "**⇒**" knob to select one of the special effect scenes from FX F01 to F17.

Scene Effects:

F01
Lightning



F02
Paparazzi



F03
Defective
Bulb



F04
Explosion



F05
Welding



F06
CCT Flash

How to Use



Hue Flash



CCT Pulse



Hue Pulse



Cop Car



Candlelight



Hue Loop



CCT Loop



INT Loop



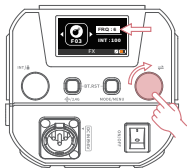
TV Screen



Fireworks

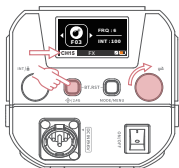


Party

**Frequency Adjustment:**

Short press the "⇌" knob to select "FRQ".

Turn the "⇌" knob to adjust the frequency from 01 to 10. Press any button to exit.

**2.4G Mode:**

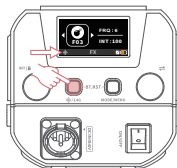
Short press the "2.4G" button to switch to 2.4G mode.

Long press the "2.4G" button and the "CH" icon on the screen will flash to indicate channel selection.

Turn the "⇌" knob to select a channel from 0 to 99. Press any button to exit.

※ In 2.4G mode, when multiple LEDs are set to the same channel (e.g., CH88), adjusting one light will automatically synchronize the settings with the others on the same channel.

How to Use

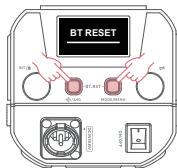
**Infinity Mode:**

To activate the Infinity mode, simply press the "2.4G" button briefly. Upon activation, the "2.4G" icon will start flashing.

Connect your smartphone's Bluetooth through the "NEEWER" app and use it to control the LED lights. Refer to the "APP prompt card" for instructions. Scan the QR code on the APP guide page to access the app.

When the "2.4G" icon stops flashing, it indicates a successful Bluetooth connection has been made.

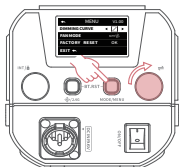
※ Press and hold the "BT.RST" buttons simultaneously to reset the Infinity connection before connecting the APP.

**Bluetooth Reset:**

In Infinity mode, press and hold the "BT.RST" buttons simultaneously to enter the Bluetooth reset interface.

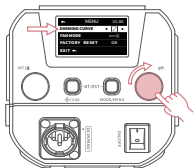
When "BT RESET" appears, the reset is successful.

How to Use

**Go to Menu:**

Press and hold "**MODE/MENU**" button to enter the menu,

Turn "**↔**" dial to select menu items, then press "**↔**" dial to enter the selected item.

**Dimming Curves:**

Press "**↔**" button to select "DIMMING CURVE".

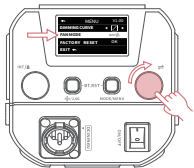
Turn "**↔**" dial to choose one of the four dimming curves.

Dimming Curve Types:

S type

logarithmic
typeExponential
type

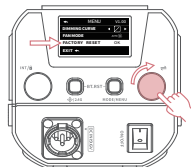
line type

**Fan mode:**

Turn "**↔**" dial to select "FAN MODE", then press "**↔**" dial to enter it.

Turn "**↔**" dial to choose between AUTO or MUTE fan mode.

How to Use

**Factory reset:**

Turn "**↔**" dial to select "FACTORY RESET", then press "**↔**" dial to enter it.

Turn "**↔**" dial to select YES or NO.

Notes

1. Avoid dropping, bumping, or subjecting the product to strong impacts to prevent damage.
2. Refrain from looking directly into the light, as it may cause visual impairment.
3. Keep the product away from flammable and explosive materials.
4. Do not use the product in rainy or humid environments.
5. Avoid touching the product with wet hands.
6. Turn off the power when the product is not in use.
7. If the product will not be used for an extended period, store it in a well-ventilated and dry place away from heat and magnetic fields.

Product Specifications

Product Model	FS150C
Adapter Input Voltage	DC 19.6V $\overline{\text{---}}$ 8A
V Port Battery Input Voltage	DC 12V-26V (Use the V-port battery to connect a three-hole adapter)
Brightness Range	0~100
Color Temperature Range	2500-7500K
Channel Range	00~99
CRI	≥ 97
TLCI	≥ 98
Power	130W
Max Illuminance (Standard diffuser)	19800 lx/1m
Max Illuminance (light-intensifying reflector)	42400 lx/1m
Frequency	1~10
Scene Effects	17

*The light-intensifying reflector is sold separately.