

Amana[®]

Amana[®]

Distinctions[™]

Side-by-Side Refrigerator Owner's Manual

English	2
Español	20
Français	39

Keep these instructions for future reference. Be sure this manual stays with refrigerator.



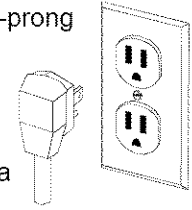
As an Energy Star[®] Partner, Amana[®] has determined that this product* meets the Energy Star[®] guidelines for energy efficiency.

* Energy Star[®] applies to some models. Qualifying models are designated with the Energy Star[®] logo located on the product.

Contents

Electrical Requirements	2
Model Identification	2
Service	2
Asure™ Extended Service Plan	2
Parts and Accessories	2
Proper Disposal of your Refrigerator	3
Installation Instructions	3
Controls	5
Installation Checklist	6
Refrigerator Features	7
Refrigerator Shelves	7
Chiller Fresh™ System (Some models)	7
Deli Drawer™ (Some models)	7
Beverage Organizer (Some models)	7
Garden Fresh™ Humidity-Controlled Crispers (Some models)	7
Storage Rack (Some models)	8
Covered Storage Bucket (Some models)	8
Dairy Center (Some models)	8
Snack Shelf (Some models)	8
Temperature-Controlled Beverage Chiller™ (Some models)	9
Door Buckets and Shelves	9
Adjustable Divider (Some models)	10
Tall Package Retainer (Some models)	10
Freezer Features	10
Automatic Ice Maker (Some models)	10
Stor-Mor® System	10
Tilt Out Bin (Some models)	11
Removing Ice Bucket	11
Ice 'N Water™ Slide Control Dispenser (Some models)	12
Ice 'N Water™ Electronic Control Dispenser (Some models)	13
Care and Cleaning	14
General	14
Odor Removal	14
Adhesives	14
Door Gaskets	14
Condenser Coils	14
Glass Shelves	15
Light Bulbs	15
Normal Operating Sounds	16
Before Calling For Service	17
Energy Tips	18
Vacation Tips	18
Warranty	19

This refrigerator is equipped with a three-prong (grounding) plug for protection against possible shock hazards. If a two-prong wall receptacle is encountered, contact a qualified electrician and have the two-prong wall receptacle replaced with a properly grounded three-prong wall receptacle in accordance with the National Electrical Code.



Refrigerator is designed to operate on a separate 103 to 126 volt, 15 amp., 60 cycle line.

Model Identification

Thank you for purchasing this Amana® refrigerator. Please read this Owner's Manual thoroughly. This manual provides proper maintenance information. Any questions, call the Consumer Affairs Department at **1-800-843-0304** inside U.S.A. and **1-319-622-5511** outside U.S.A. You may also contact us on the web at www.amana.com.

Complete registration card and promptly return. If registration card is missing, call the Consumer Affairs Department. **Keep a copy of sales receipt** for future reference.

When contacting Amana, provide product information. Product information is on the serial plate, located on ceiling of Fresh Food section. Record the following information:

Model Number: _____

Manufacturing Number: _____

S/N or Serial Number: _____

Date of purchase: _____

Dealer's name and address: _____

Service


Keep a copy of sales receipt for future reference or in case warranty service is required. Any questions or to locate an authorized servicer, call 1-800-NAT-LSVC (1-800-628-5782) inside U.S.A. 319-622-5511 outside U.S.A. or contact www.amana.com. Warranty service must be performed by an authorized servicer. Amana also recommends contacting an authorized servicer if service is required after warranty expires.

Asure™ Extended Service Plan

Amana offers long-term service protection for this new refrigerator. Asure™ Extended Service Plan is specially designed to supplement Amana's strong warranty. This plan covers parts, labor, and travel charges. Call 1-800-528-2682, or contact us at www.amana.com for information.

Parts and Accessories

Purchase replacement parts and additional accessories (e.g. refrigerator shelves) over the phone. To order accessories for your Amana product, call 1-800-843-0304 inside U.S.A. or 319-622-5511 outside U.S.A. You may also contact us at www.amana.com.

 **Recognize this symbol as a safety precaution.**

Electrical Requirements



WARNING

To avoid electrical shock which could cause severe personal injury or death, do not cut or remove round grounding prong from plug. Do not remove warning tag from power cord.

Do not use a two-prong adapter. Do not use an extension cord.

For more information visit our web site:
www.amana.com

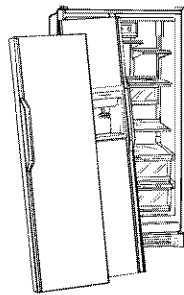
⚠ DANGER

Proper Disposal of your Refrigerator

IMPORTANT: Child entrapment and suffocation are not problems of the past. Junked or abandoned refrigerators are still dangerous—even if they will sit for “just a few days.” If you are getting rid of your old refrigerator, please follow the instructions below to help prevent accidents.

BEFORE YOU THROW AWAY YOUR OLD REFRIGERATOR OR FREEZER:

- Take off the doors.
- Leave the shelves in place so that children may not easily climb inside.



Installation Instructions

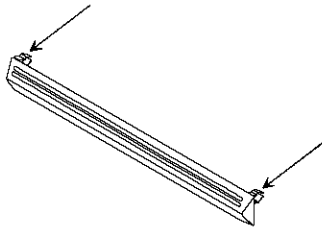
Proper installation will ensure this refrigerator operates most efficiently. Amana cannot be responsible for improper installation.

1. Remove doors if necessary.

⚠ WARNING

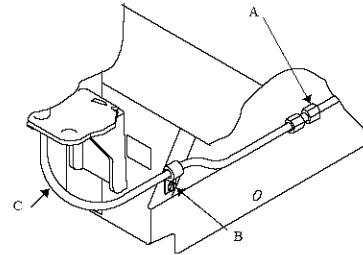
To avoid electrical shock which can cause severe personal injury or death, disconnect power to refrigerator before removing doors. After replacing doors, connect power.

- a. Remove toe grille by pulling straight forward. Grille snaps free.



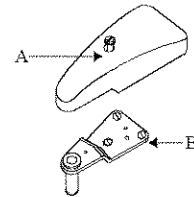
b. Dispenser Models

Loosen water tube clamp screw. Loosen plastic water tube union nut. Pull water tube away from union nut and through tube clamp.



- A. Plastic water tube union nut
B. Water tube clamp screw
C. Water tube

- c. Remove top hinge cover(A).



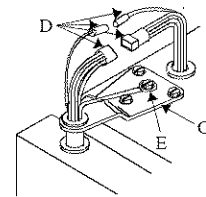
- A. Top hinge cover
B. Top hinge

⚠ WARNING

To avoid electrical shock which can cause severe personal injury or death, green ground wire must remain attached to hinge.

d. Dispenser Models Only

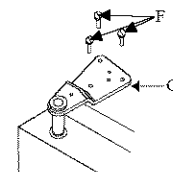
Unplug top hinge wire connectors(D). Remove $\frac{5}{16}$ " hex head screws. **Do not remove either green ground wire or screw(E) from hinge(C).** Carefully remove top hinge(C) from harness connectors(D).



- C. Top hinge
D. Hinge wire connectors
E. Green ground wire and screw

d. Non-Dispensing Models

Carefully lift and remove top hinge(G) by removing $\frac{5}{16}$ " hex head screws(F). Do not disturb position of hinge shims.



- F. $\frac{5}{16}$ " hex head screws
G. Top hinge

- e. Remove doors.



CAUTION

To avoid property damage, protect soft vinyl or other flooring with cardboard, rugs, or other protective material when moving refrigerator.

- f. Rehang doors by reversing steps a–e. Use a dime at top of doors to space doors $\frac{3}{4}$ " (18 mm) from cabinet.

2. Install Water Filtration Cartridge (Some models)

- a. Remove bypass cartridge from water filter head in rear right corner of refrigerator section. Twist cartridge counterclockwise $\frac{1}{4}$ turn and pull down to remove. Save bypass to use if water filter replacement cartridge is not immediately available.
- b. See *Water Filtration System Installation and Operating Instructions* provided with water filter cartridge for filter installation and operation.

The amount and condition of water used determines the life span of the water filter cartridge. Replacement for a household with average water consumption would be approximately six months. If water usage is high, or if water is of poor quality, replacement may have to take place before six months. See *Water Filtration System Installation and Operating Instructions* provided with water filter cartridge for more information.

3. Connecting Water Supply



WARNING

To avoid electrical shock which can cause severe personal injury or death, disconnect power to refrigerator before connecting water supply. After connecting water supply, connect power.



CAUTION

- To avoid property damage, observe the following:
- Confirm water pressure to water valve is between 20 and 100 pounds per square inch.
 - If water filter will be installed, water pressure to water valve must be a minimum of 35 pounds per square inch.
 - Tighten nut by hand to avoid cross threading. Finish tightening nuts with pliers and wrenches. Do not overtighten.
 - Check for water leaks and correct if necessary before returning refrigerator to normal location and 24 hours after connecting.

Important

- Before connecting water supply, contact a plumber to connect copper tubing to household plumbing in compliance with local codes and ordinances.
- **A self-piercing or $\frac{3}{16}$ " (4.8 mm) saddle valve is not recommended.** Both reduce water flow, become clogged with time and may cause leaks if

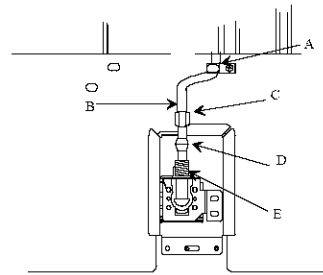
repair is attempted. The correct type of shut off valve requires a $\frac{1}{4}$ " (6 mm) hole to be drilled in water supply pipe prior to valve attachment. The manufacturer is not responsible for property damage caused by improper water connection.

Materials Required

$\frac{1}{4}$ " (6 mm) flexible copper tubing. Length of copper tubing must reach from water supply connection plus an additional 8' (2 m) for service loop behind refrigerator.

Procedure

- a. Remove plastic cap from water valve inlet port. Place brass nut and brass sleeve on copper tubing. Insert copper tubing into water valve inlet port. Connect brass nut on copper tubing to water valve inlet port. Confirm copper tubing is secure by pulling on copper tubing.



- | | |
|---------------------------------|------------------|
| A. "P" clamp | B. Copper tubing |
| C. Brass nut | D. Brass sleeve |
| E. Water valve inlet connection | |

- b. Turn on water supply to refrigerator and check for leaks. Correct any leaks.
- c. Create service loop using extreme care to avoid kinks. **Secure copper tubing to refrigerator cabinet with a "P" clamp.**

4. Plug in power cord.

5. Move refrigerator into final location.



CAUTION

To avoid property damage, protect soft vinyl or other flooring with cardboard, rugs, or other protective material when moving refrigerator.

- a. Slide appliance cart under side of refrigerator. Wrap refrigerator with blanket or pad. Thread cart strap around refrigerator and tighten. **Do not overtighten strap.** Move refrigerator in front of final location.



CAUTION

To avoid damage or breakage to adjusting bolt, do not use power tools to correct leveling.

6. Stabilize refrigerator and align doors.

If refrigerator rocks or is not stable on floor perform the following:

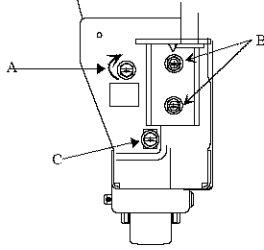
- Determine which rear corner is rocking.

- Remove toe grille to gain access to roller adjustment screws.

⚠ CAUTION

To avoid property damage and damage to the unit, do not use power tools to adjust leveling. Use hand tools only.

- Turn rear roller adjustment screw clockwise to raise corner that is rocking.

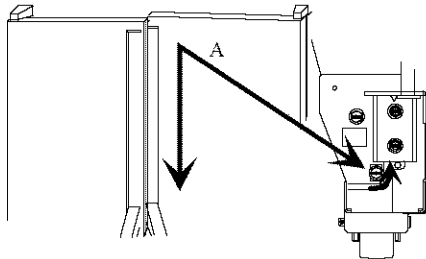


- A. Rear roller adjustment screw C. Front roller adjustment screw
B. Door hinge screws

- Check alignment of top of doors. If doors are level replace toe grille.

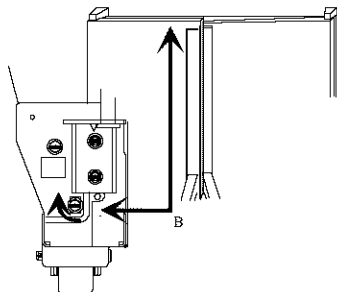
If tops of doors are not level perform the following steps:

- Remove toe grille.
- Determine which door needs to be lowered.
- To lower corner of door, turn front roller adjustment screw counterclockwise.
- Roller adjustment screw should be turned until doors are level.



- A. Turn roller adjustment screw to lower door.

- If the unit has reached the bottom of its adjustment range, and the doors are still not level—raise the opposite door by turning its roller adjustment screw clockwise.



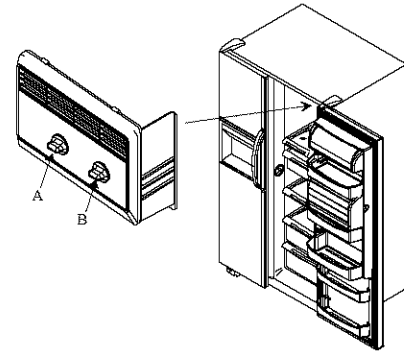
- B. Turn roller adjustment screw to raise door.

Controls

This refrigerator is designed to operate at normal household temperatures of 55° to 110°F (13° to 43°C).

Refrigerator and Freezer Controls

Refrigerator and freezer controls are located on upper rear wall of refrigerator section.



- A. Freezer control
B. Refrigerator control

When freezer control is set to *off*, neither refrigerator nor freezer sections will cool.

Setting Controls

With setting 1 being the warmest and setting 7 being the coldest, start by setting both controls to 4.

Adjust controls by using a household thermometer that includes temperatures between -5° to 50°F (-21° to 10°C). Place thermometer snugly between frozen packages in freezer section. Wait 5 to 8 hours. If freezer temperature is not 0° to 2°F (-17° to -16°C), adjust freezer control by one number at a time. Check temperature again after 5 to 8 hours.

Place thermometer in a glass of water in middle of refrigerator section. Wait 5 to 8 hours. If refrigerator temperature is not 38° to 40°F (3° to 4°C), adjust refrigerator control by one number at a time. Check temperature again after 5 to 8 hours.

7. Review “Installation Checklist” in Owner’s Manual with consumer.

Installation Checklist

This checklist is for personal records only.

Consumer	Installer	
----------	-----------	--

Doors

Doors are aligned with each other. (After food has been added to refrigerator, consumer should check door alignment).

Doors seal completely to refrigerator cabinet.

Handles are solidly attached to doors.

Ice 'NWater™ Dispenser Models

If doors were removed to install refrigerator, top hinge wire connectors are reconnected.

Leveling

Refrigerator is stable.

Toe grille is properly attached to refrigerator.

Ice Maker

Water supply to refrigerator is turned on.

Water leaks are not present at connection between household water supply and refrigerator. (After 24 hours, consumer should check connection for water leaks.)

Ice maker arm is in on position for ice production. (It may take up to 24 hours for first harvest of ice.)

Product Literature

Owner's manual is reviewed including the following information.

- Product registration card
- Water filter installation and replacement (see water filtration package)
- Refrigerator and freezer controls
- Chiller Fresh™ system
- Garden Fresh™ crispers
- Normal operating sounds

Water Filter (Some models)

- Bypass cartridge is removed and water filter is installed
- Water leaks are not present around filter head
- Filter indicator light function is explained (some models)

Notes _____

Consumer's Signature

Installer's Signature

Installer's Company Name/Phone Number

Date

Refrigerator Features



CAUTION

To avoid property damage, confirm shelf is secure before placing items on shelf.

Refrigerator Shelves

All models feature Spillsaver™ shelves. Spillsaver™ shelves hold simple spills for easier cleaning. Shelves adjust up or down to meet individual storage needs.

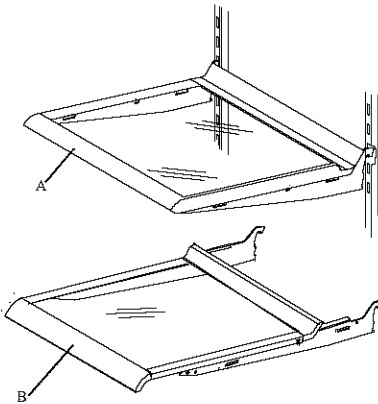


CAUTION

To avoid personal injury or property damage, handle tempered glass shelves carefully. Shelves may break suddenly if nicked, scratched, or exposed to sudden temperature change.

- Remove shelves by lifting front, releasing hooks from metal track then pulling out.
- Replace shelves by inserting hooks into metal track and lowering front.

Some models also feature EasyGlide™ shelves that pull forward for easy access of items in back.



A. Spillsaver™ Shelf B. EasyGlide™ Shelf (Some models)

Chiller Fresh™ System (Some models)

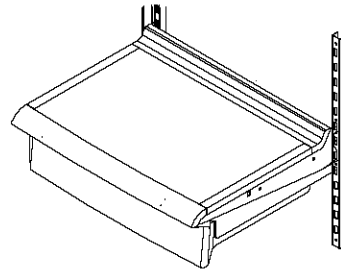
Chiller Fresh™ system features a drawer inside a sleeve. Air circulates between drawer and sleeve. This system keeps food fresh longer and up to 5°F (3°C) colder than refrigerator temperature. Use this drawer for deli storage or additional produce storage.

Chiller Fresh™ control is located below front shelf trim. Control adjusts amount of air circulating around drawer. Slide control to *cold* for normal refrigerator temperature and to *colest* for colder temperature. Ice crystals may form on drawer or food on *colest* setting. Cold air can decrease refrigerator temperature. Refrigerator control may need to be adjusted.

For adjusting or cleaning:

- Remove drawer by lifting and pulling out. Remove shelf by lifting front, releasing hooks from metal track then pulling out.

- Replace shelf by inserting hooks into metal track and lowering front. Use slots 8 through 11 only. Replace drawer by sliding in. Confirm boot is over air inlet in side wall.



Deli Drawer™ (Some models)

For adjusting or cleaning:

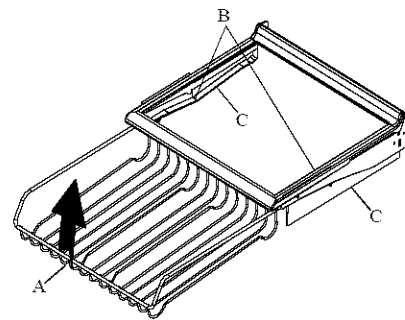
- Remove drawer by lifting and pulling out. Remove shelf by lifting front, releasing hooks from metal track then pulling out.
- Replace shelf by inserting hooks into metal track and lowering front. Replace drawer by sliding in.

Beverage Organizer (Some models)

The beverage organizer slides out from underneath the glide-out shelf. This may hold 12 cans or other desired beverages.

For adjusting or cleaning:

- Empty contents before removing organizer.
- Pull organizer forward until it catches on stops in shelf rail. Lift organizer front and pull out.
- To replace, guide organizer into shelf rails until forward movement is stopped. Lift organizer front and ease organizer toward back of unit.



A. Shelf
B. Stops

C. Shelf Rails

Garden Fresh™ Humidity-Controlled Crispers (Some models)

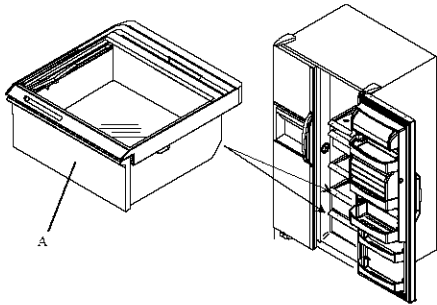
Garden Fresh™ crispers keep produce fresh longer. Do not wash produce before placing in crispers. Excess moisture could cause produce to spoil prematurely. Do not line crispers with paper towels. Paper towels will retain moisture.

Garden Fresh™ control is located below front shelf trim. Control adjusts humidity in crispers. Slide control to *high* for produce with leaves such as lettuce, spinach or cabbage. Slide control to *low* for produce with skins such as cauliflower, corn, zucchini or tomatoes.



CAUTION

To avoid personal injury or property damage, handle tempered glass shelves carefully. Shelves may break suddenly if nicked, scratched, or exposed to sudden temperature change.



A. Crisper Drawer

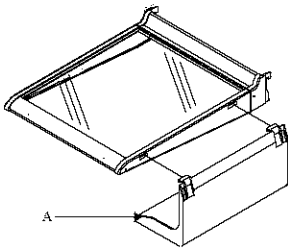
Remove Garden Fresh™ crispers by completing the following steps.

1. Remove crisper drawer by pulling out then lifting front upward.
2. Remove crisper shelf by lifting front of shelf while supporting underneath then pulling out.
3. Replace crispers and shelf by reversing steps 1–2.

Storage Rack (Some models)

Storage rack provides convenient storage for items such as a large bottle, eggs, etc. Depending on location of shelf, hang rack using 1 of the following methods. Rack cannot be installed next to lower refrigerator section light.

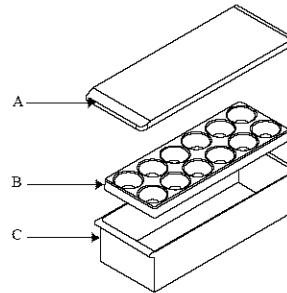
- Remove shelf by lifting front, releasing hooks from metal track then pulling out. Hang rack by inserting tabs into slots on side of shelf. Replace shelf by inserting hooks into metal track and lowering front.
- or
- Slide rack along side of shelf until tabs are inserted into slots.



A. Storage rack

Covered Storage Bucket (Some models)

Storage bucket has a lid and removable egg tray. When tray is removed, bucket will accept items such as a standard egg carton, ice, etc.



A. Lid
C. Storage bucket

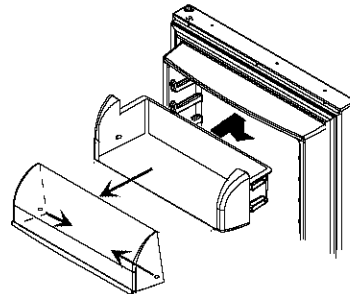
B. Egg tray

Dairy Center (Some models)

Dairy Center provides convenient storage for items such as butter, cheese, etc.

Dairy Center is adjustable to accommodate storage needs. Dairy Center may also be removed for cleaning. To remove Dairy Center perform the following steps:

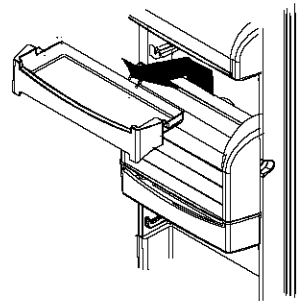
- Remove Dairy Center cover by opening cover. Push cover inward at pivot points and pull cover out. Lift Dairy Center up and pull out to remove.
- Replace Dairy Center by reversing procedure.



Snack Shelf (Some models)

Snack shelf provides convenient storage for small items and snacks.

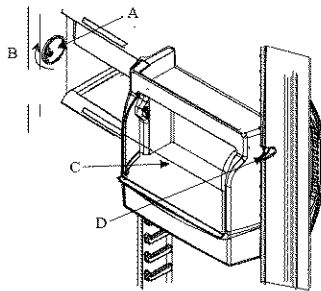
To remove snack shelf lift up and pull out. Replace snack shelf by sliding in above desired support rail and pushing down into place.



Temperature-Controlled Beverage Chiller™ (Some models)

Temperature-Controlled Beverage Chiller™ keeps beverages up to 5°F (3°C) colder than refrigerator section. Air inlet allows air from freezer section to pass to Beverage Chiller™. Air inlet is located on interior wall of refrigerator door.

Beverage Chiller™ control is located on left front wall of refrigerator section. Control adjusts amount of air circulating in Beverage Chiller™. Turn control to *COLD* for normal refrigerator temperature and to *COLDER* for colder temperature.



- | | |
|--|-------------------------------------|
| A. Beverage Chiller™ temperature control | C. Beverage Chiller™ door air inlet |
| B. Turn control clockwise for colder | D. Air inlet |

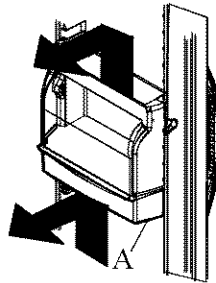
Beverage Chiller™ flip top design

Beverage Chiller™ comes in a flip top and a roll top design. It is adjustable to accommodate storage and cleaning needs.

To remove Beverage Chiller™ perform the following steps:

1. Grasp Beverage Chiller™ by sides lift up and pull out to remove.

Note: If Beverage Chiller™ has a separate bottom section, remove by pushing up and pulling out.



- A. Beverage Chiller™ bottom section

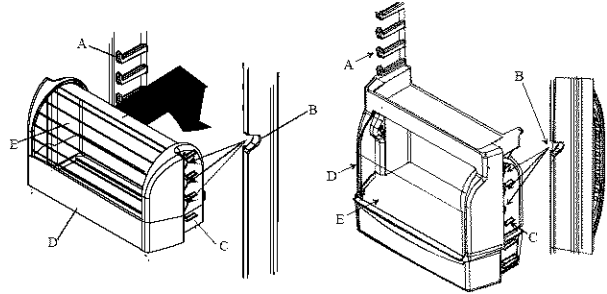
Beverage Chiller™ flip top design

To replace:

1. Slide Beverage Chiller™ bottom between desired shelf rails in door liner and push down into place.
 - If Beverage Chiller™ door track is cleaned, door track must be lubricated with petroleum jelly for proper operation of chiller door.
2. Slide Beverage Chiller™ between desired shelf rails in door liner and push Beverage Chiller™ top down into place over Beverage Chiller™ bottom.

IMPORTANT

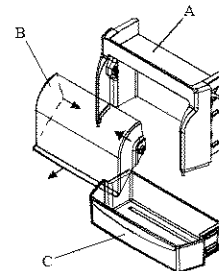
For proper operation of Beverage Chiller™, one of the cold air intake holes must line up with notch in right door dike.



- | | |
|---|---------------------------|
| A. Door liner shelf rail | C. Flange |
| B. Notch in door dike must line up with one of Beverage Chiller™ cold air intake holes. | D. Beverage Chiller™ |
| | E. Beverage Chiller™ Door |

Beverage Chiller™ roll top and flip top designs

- Remove Beverage Chiller™ cover (flip top model only) by opening cover. Push cover inward at pivot points and pull cover out. Replace cover by reversing procedure.



- | | |
|----------------------------|-----------------------------|
| A. Beverage Chiller™ top | C. Beverage Chiller™ bottom |
| B. Beverage Chiller™ cover | |

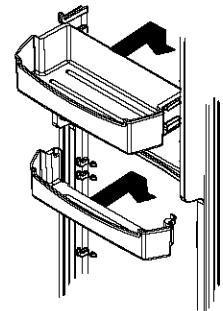
Beverage Chiller™ flip top design

Door Buckets and Shelves

Graphic below does not represent all available bucket and shelf designs, however the following instructions do apply to all units.

Door buckets adjust to meet individual storage needs.

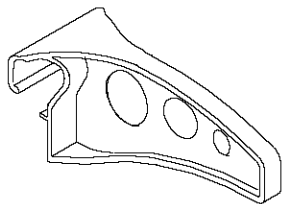
- Remove door buckets by pushing bucket up and pulling out.
- Replace door buckets by sliding bucket in between shelf rails and pushing door bucket down into place.



Freezer Features

Adjustable Divider (Some models)

Adjustable divider keeps items in place and adjusts to meet individual storage needs. Divider fits in any door bucket or door shelf.

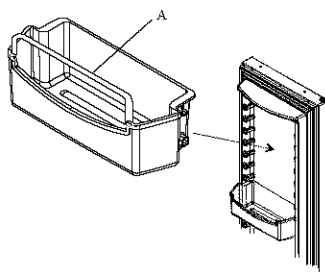


Tall Package Retainer (Some models)

Tall package retainer keeps tall items secure. Retainer fits in any door bucket. Tall package retainers in refrigerator door shelves are adjustable for two different heights.

To install, insert tall package retainer in holes in each side of door bucket or shelf front.

- Install tall package retainer with knobs on retainer facing outward for tall setting.
- For lower setting, install tall package retainer with knobs on retainer facing inward. Knobs slide into slots in retainer holes on inside front of bucket.



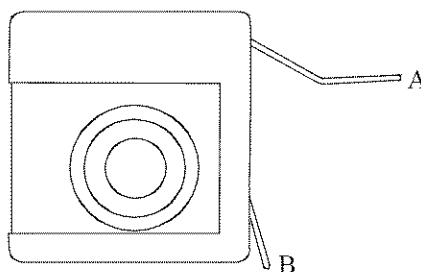
A. Tall package retainer

CAUTION

To avoid property damage, confirm shelf is secure before replacing items on shelf.

Automatic Ice Maker (Dispensing models)

- Confirm ice bucket is in place and ice maker arm is down.



A. Off position

B. On position

- After freezer section reaches normal temperature, ice maker fills with water and begins operating. Allow 24–48 hours after installation before first harvest of ice. Ice maker produces 7–9 harvests of ice in a 24-hour period under ideal conditions.
- After ice is formed, ice maker drops ice cubes into ice storage bucket. During ice production, ice maker arm raises and lowers. When ice storage bucket is full, ice maker arm turns ice maker off. Discard first 3 harvests of ice after initially connecting refrigerator to household water supply and after extended periods of nonuse.
- Stop ice production by raising ice maker arm. A definite click is heard when proper position is reached. Ice maker arm will remain in *off* position until pushed down.

CAUTION

To avoid damage to ice maker, observe the following:

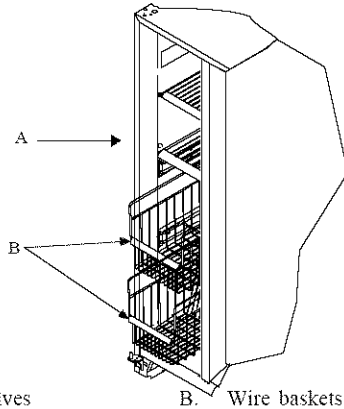
- Do not force ice maker arm down or up.
- Do not place or store anything in ice storage bucket.

Stor-Mor® System

Wire baskets slide out for easy access of items in back and wire shelves (Some models) can be rearranged to meet individual storage needs.

- Remove baskets by pulling out and lifting. Replace baskets by placing baskets on side rails, slide baskets right and back until round knob is behind stop on rail.

-
- Remove shelf by lifting right side of shelf out of clips and pulling out of left side mounting holes. Reverse procedure to reinstall shelf.

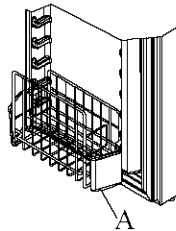


Tilt-Out Bin (some models)

The tilt-out bin provides convenient storage for frozen food items in freezer door. It can be moved to fit different areas on freezer door and tilts forward for easy access of those items.

For adjusting or cleaning:

- Remove bin bucket by pushing bucket up and pulling out.
- Replace bucket by sliding bucket in between shelf rails and pushing door bucket down into place.

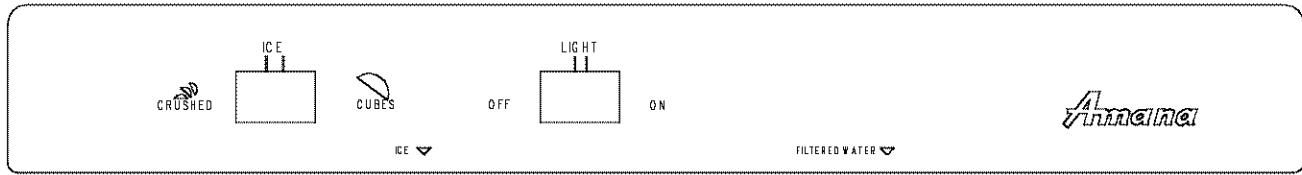


A. Bin bucket

Removing Ice Bucket

- Remove ice bucket by lifting bucket and pulling out.
- Replace ice bucket by sliding in until bucket locks in place. Ice bucket must be locked in place for proper ice dispensing. If freezer door does not close, bucket is not in proper location.

Ice 'N Water™ Slide Control Dispenser (Some models)



CAUTION

To avoid personal injury or property damage, observe following instructions:

- Do not operate dispenser with freezer door open.
- Do not put fingers, hands, or any foreign object into dispenser opening.
- Do not use sharp objects to break ice.

Water Dispenser Operation

It takes approximately 1 minute after initially pressing dispenser bar before water dispenses after initial connection of water supply. Discard first 10–14 containers of water after initially connecting refrigerator to household water supply and after extended periods of nonuse.

- Dispense water by pressing sturdy wide mouthed container against water dispenser bar.
- Stop water dispensing by releasing pressure on bar. A small amount of water may continue to fall. Spill shelf is not self-draining. Large spills should be wiped dry.

Ice Dispenser Operation

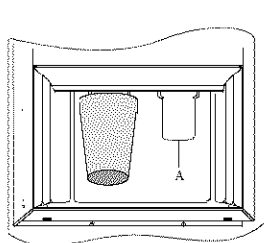
CAUTION

To avoid property damage, do not dispense ice directly into thin glass, fine china, or delicate crystal.

- Select cubed or crushed mode by sliding switch on dispenser panel. Dispense ice by pressing wide mouthed container against ice dispenser bar.

Important

Reduce spraying of crushed ice by holding wide-mouthed container directly under ice chute and as high as possible in dispenser area.



A. Dispenser bar

- Stop ice dispensing by releasing pressure on bar before container is full. Some ice will continue to fall. Do not remove container until last of ice falls.

If dispensing ice continuously, dispenser motor is designed to shut off after 3 to 5 minutes. Motor resets after 3 minutes and dispensing can continue.

A slight delay occurs when switching between cubed and crushed modes. Pieces of crushed ice will vary in size and shape. "Snow" may form on door and ice chute when repeatedly dispensing crushed ice. Allow "snow" to evaporate or wipe dry.

Taste and Odor

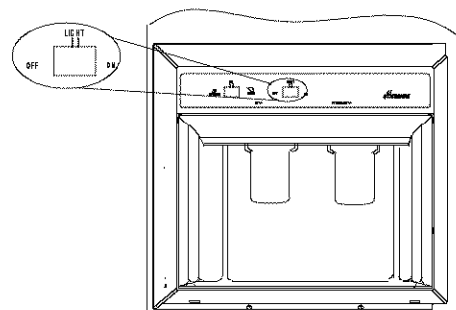
Observe the following to minimize taste and odor difficulties:

- Wrap foods in tightly sealed containers or moisture proof bags.
- Contact local water treatment company for specialized help if difficulties persist.
- If refrigerator has a water filter replace water filter cartridge, see *Water Filtration System Installation and Operating Instructions* for replacement procedure.

Dispenser Light (Some models)

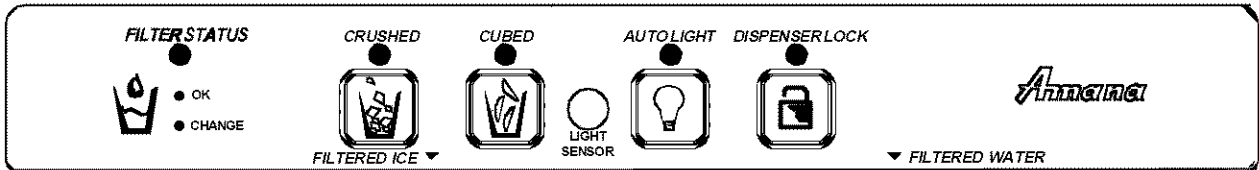
A light is activated when dispensing ice or water. Some models feature a night light.

- Activate night light by sliding switch, located on control above dispenser area.



A. Night light switch

Ice 'N Water™ Electronic Control Dispenser (Some models)



CAUTION

To avoid personal injury or property damage, observe following instructions:

- Do not operate dispenser with freezer door open.
- Do not put fingers, hands, or any foreign object into dispenser opening.
- Do not use sharp objects to break ice.

Water Dispenser Operation

It takes approximately 1 minute after initially pressing dispenser bar before water dispenses after initial connection of water supply. Discard first 10–14 containers of water after initially connecting refrigerator to household water supply and after extended periods of nonuse.

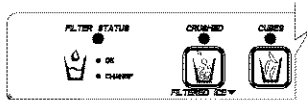
- Dispense water by pressing sturdy wide mouthed container against water dispenser bar.
Note: If water dispenser is active for more than 5 minutes, an automatic lock out sensor will shut down power to dispenser area. See *Automatic Lock Out* for further information.
- Stop water dispensing by releasing pressure on bar. A small amount of water may continue to fall. Spill shelf is not self-draining. Large spills should be wiped dry.

Ice Dispenser Operation

CAUTION

To avoid property damage, do not dispense ice directly into thin glass, fine china, or delicate crystal.

- Select cubed or crushed mode by pushing the button on the dispenser panel. A green indicator light above the button indicates the current selection. Dispense ice by pressing wide-mouthed container against ice dispenser bar. Selection mode may not be changed while ice dispenser is in operation.



Important

Reduce spraying of crushed ice by holding wide mouthed container directly under ice chute and as high as possible in dispenser area.

If dispensing ice continuously, dispenser motor is designed to shut off after 3 to 5 minutes. Motor resets after 3 minutes and dispensing can continue.

A slight delay occurs when switching between cubed and crushed modes. Pieces of crushed ice will vary in size and shape. "Snow" may form on door and ice chute when repeatedly dispensing crushed ice. Allow "snow" to evaporate or wipe dry.

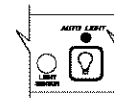
Taste and Odor

Observe the following to minimize taste and odor difficulties:

- Wrap foods in tightly sealed containers or moisture proof bags.
- Contact local water treatment company for specialized help if difficulties persist.
- If refrigerator has a water filter replace water filter cartridge, see *Water Filtration System Installation and Operating Instructions* for replacement procedure.

Dispenser Light

A light activates at full power when dispensing ice or water at full power. A light sensor automatically activates light at half-power when light levels in refrigerator area are low. Activate or deactivate sensor by pushing *AUTO LIGHT* button located on control façade. A green indicator light above the button indicates the sensor is active.



Dispenser Lock

This feature prevents operating both the water and ice dispenser. To activate or deactivate lock, press and hold *DISPENSER LOCK* button for 3 seconds. A green indicator light above the button indicates the dispenser is locked.



Automatic Lock Out

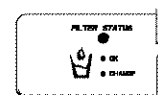
The automatic lock out feature shuts down the ice and water mechanisms of the dispenser when either mechanism has run continuously for 5 minutes. To return power to the the dispenser, press and hold the *DISPENSER LOCK* button for 3 seconds.

Filter Light

The filter indicator light serves as a reminder to replace the water filter. A green light indicates that the filter is in good condition. A red light indicates that the filter should be replaced. Once the light turns red, it will remain red until it is reset.

To reset indicator light, press both the *DISPENSER LOCK* and *AUTO LIGHT* buttons simultaneously for 4 seconds. The green indicator light will flash 3 times when a reset has successfully occurred.

IMPORTANT: Filter status should be reset whenever filter is replaced.



Care and Cleaning



WARNING

To avoid electrical shock which can cause severe personal injury or death, disconnect power to refrigerator before cleaning. After cleaning, connect power.



CAUTION

To avoid personal injury or property damage, read and follow all cleaning product manufacturer's directions.

General

For Textured Doors and Exterior

1. Wash surfaces with 4 tablespoons baking soda dissolved in 1 quart warm water, or warm soapy water. Use a soft, clean cloth.
2. Rinse surfaces with warm water. Dry surfaces with a soft, clean cloth.
 - Do not use the following items:
 - abrasive or harsh cleaners, ammonia, chlorine bleach, etc.
 - concentrated detergents or solvents
 - metal scouring padsThese items can scratch, crack and discolor surfaces.
 - Do not place buckets, shelves, etc. in dishwasher.

For Stainless Steel Doors

Damage to stainless steel finish due to improper use of cleaning products, or using non-recommended cleaning products, is not covered under warranty. For

Amana recommended products, call our Consumer Affairs division at 1(800) 843-0304, or contact us on the web at www.amana.com.

1. Wash surfaces with warm soapy water and a soft, clean cloth or sponge.
2. Rinse surfaces with warm water. Dry surfaces with a soft, clean cloth.
 - Do not use the following harsh cleaners:
 - abrasive or acidic cleaners (ammonia, chlorine bleach, vinegar-based product, etc.)
 - citrus-based cleaners
 - scouring pads (metal, textured plastic, etc.)These items can scratch, discolor, or permanently tarnish surfaces.
3. Follow up rinsing by immediately drying with a soft, clean cloth. This will avoid water spotting on stainless steel finish.

Odor Removal

1. Remove all food and disconnect power to refrigerator.
2. Clean all interior surfaces including ceiling, floor, and walls according to "General" instructions. Pay special attention to corners, crevices, and grooves. Include

all drawers, shelves, and gaskets.

3. Connect power to refrigerator and return food to refrigerator. Wash and dry all bottles, containers and jars. Wrap foods in tightly sealed containers to prevent further odor. After 24 hours, check if odor was eliminated.

Complete the following steps if odor was not eliminated.

4. Complete steps 1–2.
5. Place Garden Fresh™ crispers on top shelf of refrigerator section. Pack refrigerator and freezer sections including doors with crumpled sheets of black and white newspaper.
6. Place charcoal briquettes randomly throughout newspaper.
7. Close doors and let stand 24–48 hours.
8. Remove charcoal briquettes and newspapers.
9. Complete steps 2–3.

Contact Consumer Affairs Department, if odor was still not eliminated. Refer to *Model Identification* section for phone number.

Adhesives

1. Remove glue residue by rubbing toothpaste into adhesive with fingers until adhesive loosens.
2. Rinse surface with warm water. Dry surface with a soft, clean cloth.

Door Gaskets

1. Keep gaskets clean at all times. Clean door gaskets thoroughly every 3 months according to "General" instructions.

Condenser Coil

Clean condenser coil every 3 months to ensure maximum performance of refrigerator. Accumulated dust and lint may cause the following:

- reduced cooling performance
 - increased energy usage
 - premature compressor failure
1. Remove toe grille by holding ends and pulling forward.
 2. Clean front surface of condenser coil with a vacuum cleaner hose nozzle.
 3. Replace toe grille by inserting clips in holes and snapping in.



CAUTION

To avoid property damage, protect soft vinyl or other flooring with cardboard, rugs, or other protective material.

4. Pull refrigerator away from wall. Run a vacuum brush across condenser fan outlet grille on back of refrigerator.

Glass Shelves

CAUTION

To avoid personal injury or property damage, handle tempered glass shelves carefully. Shelves may break suddenly if nicked, scratched, or exposed to sudden temperature change.

Remove shelf by lifting front, releasing hooks from metal track then pulling out. Place shelf on a towel. Allow shelf to adjust to room temperature before cleaning.

Clean crevices by completing the following steps:

1. Dilute mild detergent and brush solution into crevices using a plastic bristle brush. Let set for 5 minutes.
2. Spray warm water into crevices using faucet spray attachment.
3. Dry shelf thoroughly and replace shelf by inserting hooks into metal track and lowering front.

Light Bulbs

WARNING

To avoid electrical shock which can cause severe personal injury or death, disconnect power to refrigerator before replacing light bulb. After replacing light bulb, connect power.

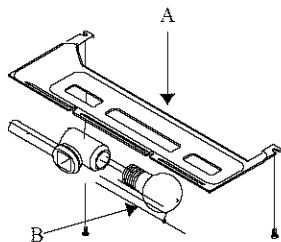
CAUTION

To avoid personal injury or property damage, observe the following:

- Allow light bulb to cool.
- Wear gloves when replacing light bulb.

Upper refrigerator and non dispensing models freezer section

- Remove light bulb cover by removing $\frac{1}{4}$ " (6 mm) hex nut screws. **Replace with an appliance bulb no greater than 60 watts.**
- Replace light bulb cover by replacing $\frac{1}{4}$ " (6 mm) hex nut screws.

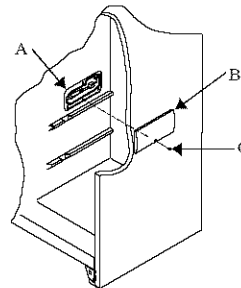


A. Light bulb cover

B. Light bulb

Lower refrigerator section (Some models)

- Remove light bulb cover by removing screw. Replace bulb with 40-watt tubular appliance bulb.
- Replace light bulb cover by placing cover over light bulb. Insert and tighten screw.

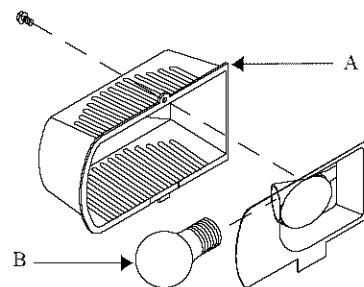


A. Light bulb
C. Screw

B. Light bulb cover

Freezer section

1. Remove ice bucket by lifting bucket and pulling out.
2. Remove light bulb cover by removing screw. **Replace with an appliance bulb no greater than 60 watts.**
3. Replace light bulb cover by holding cover in place over light bulb. Insert and tighten screw.
4. Replace ice bucket by sliding in until bucket locks in place.



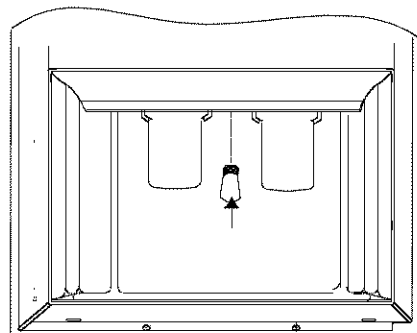
A. Light bulb cover

B. Light bulb

Ice 'N Water™ dispenser (Some models)

Light bulb is located between dispenser arms.

- Remove light bulb by unscrewing light bulb. Replace light bulb with a 6-watt, 120-volt bulb.
- Replace light bulb by inserting and tightening bulb.



Normal Operating Sounds

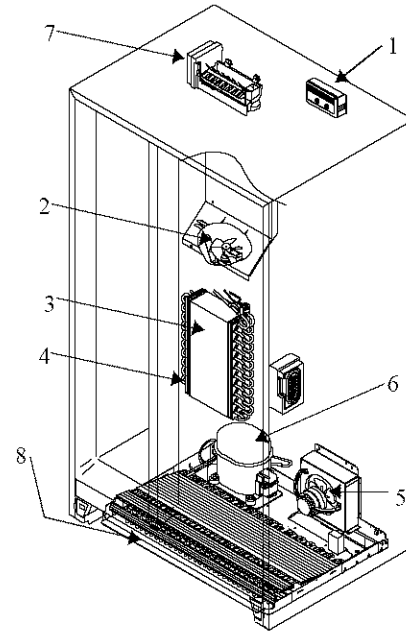
This new refrigerator may be replacing a differently designed, less efficient or smaller refrigerator. Today's refrigerators have new features and are more energy efficient. As a result, certain sounds may be unfamiliar. These sounds are normal and will soon become familiar. These sounds also indicate refrigerator is operating and performing as designed.

1. **Freezer control** clicks when starting or stopping compressor.
2. **Freezer fan** air rushes and whirs.
3. **Sealed system** (evaporator and heat exchanger) refrigerant flow gurgles, pops or sounds like boiling water.
4. **Defrost heater** sizzles, hisses or pops.
5. **Condenser fan** air rushes and whirs.
6. **Compressor** has a high pitched hum or pulsating sound.
7. **Ice cubes** from ice maker (Some models) drop into ice bucket.
8. **Defrost timer** sounds like an electric clock and snaps in and out of defrost cycle.

Ice auger (Ice 'N Water™ Dispenser models) hums as auger agitates ice during dispensing. Ice auger is located in freezer door. (not shown)

Ice maker water valve hookup (Some models) buzzes when ice maker fills with water. This occurs whether or not refrigerator is connected to water supply. If refrigerator is not connected to water supply, stop sound by raising ice maker arm to off position. Water valve hook up is located in back, bottom, left hand corner. (not shown)

Foam insulation is very energy efficient and has excellent insulating capabilities. However, foam insulation is not as sound absorbent as previously used fiberglass insulation. (not shown)



Sound location

Before Calling For Service

Refrigerator does not operate.

- Confirm freezer control is on.
- Confirm refrigerator is plugged in.
- Check fuse or circuit breaker. Plug in another item at that wall outlet.
- Wait 40 minutes to see if refrigerator restarts. If freezer control is on, lights work but 2 fans and compressor are not operating, refrigerator may be in defrost cycle.

Refrigerator still won't operate.

- Unplug refrigerator. Transfer food to another unit or place dry ice in freezer section to preserve food. **Warranty does not cover food loss.** Check warranty certificate for specific coverage.
- Call **1-800-628-5782** inside U.S.A., **1-319-622-5511** outside U.S.A., or www.amana.com on the web, to locate an **authorized** Amana technician.

Food temperature appears too warm.

- See above sections.
- Allow time for recently added warm food to reach refrigerator or freezer temperature.
- Check gaskets for proper seal.
- Clean condenser coils.
- Adjust refrigerator and/or freezer control.
- Confirm rear air grille is not blocked. Rear air grille is located behind Garden Fresh™ crisper.

Chiller Fresh™ system temperature is too warm.

- Turn control to colder setting.
- Adjust freezer control to colder setting.
- Confirm that drawer is in proper position over air inlet.

Food temperature is too cold.

- Clean condenser coils.
- Adjust refrigerator control.
- Adjust freezer control to warmer setting. Allow several hours for temperature to adjust.
- One of 3 cold air intake holes in Beverage Chiller™ is not aligned with notch in right side door dike.
- It is normal during high humidity periods or if doors have been opened frequently.

Refrigerator runs too frequently.

- It may be normal to maintain constant temperature.
- Doors may have been opened frequently or for an extended period of time.
- Allow time for recently added warm food to reach refrigerator or freezer temperature.
- Clean condenser coils.
- Adjust freezer control.
- Check gaskets for proper seal.

Water droplets form on inside of refrigerator.

- It is normal during high humidity periods or if doors have been opened frequently.
- Check gaskets for proper seal.

Water droplets form on inside of refrigerator.

- Check door gaskets for proper seal.
- It is normal during high humidity periods.
- Refer to *Setting Controls* section to verify controls are set correctly.

Garden Fresh™ crispers or Chiller Fresh™ system does not close freely.

- Check for a package which may prevent drawer from closing properly.
- Confirm drawer is in proper position.
- Confirm refrigerator is level.
- Clean drawer channels with warm, soapy water. Rinse and dry thoroughly.
- Apply a thin layer of petroleum jelly to drawer channels.

Refrigerator has an odor.

- See "Odor Removal" instructions in "Care and Cleaning" section.

Refrigerator or ice maker make unfamiliar sounds or seems too loud.

- It may be normal. See "Normal Operating Sounds" section.

No indicator lights are lit on dispenser control (some models).

- Verify that freezer door is closed. Power is removed from the control when the freezer door is opened.

Neither ice nor water is dispensed when the paddles are pushed (some models).

- Verify that freezer door is closed.
- Control may be in lock mode. Press and hold *DISPENSER LOCK* button for 3 seconds.

Water filter indicator light is red (some models).

- Water filter needs to be replaced. If filter is not available, replace with bypass filter. After replacing filter press and hold both the *DISPENSER LOCK* and *AUTO LIGHT* buttons simultaneously for 4 seconds. Let go once light begins flashing green.
- Filter indicator sensor needs to be reset. Press and hold both the *DISPENSER LOCK* and *AUTO LIGHT* buttons simultaneously for 4 seconds. Let go once light begins flashing green.

Ice maker is not producing ice.

- Confirm ice maker arm is down.
- Confirm household water supply is reaching water valve.
- Confirm ice maker wiring harness is completely inserted into proper holes.
- Check for kinks in copper or plastic tubing. Remove kinks or replace tubing.
- Check electrical connections to water valve coil and connector block on refrigerator cabinet.
- Confirm freezer section is operating at proper temperature.

Ice maker is not producing enough ice or ice is malformed.

- Ice maker has just recently been installed or a large amount of ice has just been used. Wait 24 hours for ice production to begin and for ice maker to restock after emptied.
- Confirm household water supply is reaching water valve. Make sure the water valve shut off is fully turned on.
- Piercing type or $\frac{3}{16}$ " saddle valve was used for hookup. **Both reduce water flow and may become clogged with time. Replace these valves with correct type of saddle valve requiring $\frac{1}{4}$ " hole to be drilled in water supply pipe prior to valve attachment.**
- Check for kinks in copper or plastic tubing. Remove kinks or replace tubing.
- Confirm freezer section is operating at proper temperature. Freezer must be cold enough to produce ice. See "Setting Controls" section.

Ice cubes have an odor.

- See "Odor Removal" instructions in "Care and Cleaning" section.
- Discard ice and clean ice bucket or trays more frequently. Ice cubes are porous and absorb odors easily.

Ice cubes stick together or 'shrink'.

- Empty ice cube bucket or trays more frequently. If used infrequently, ice cubes may stick together or shrink.

Ice forms in inlet tube to ice maker.

- Check water pressure. Low water pressure will cause valve to leak. Self-piercing valves cause low water pressure. **Amana recommends using copper tubing to connect household plumbing to refrigerator. Do not use self-piercing valve. Amana is not responsible for property damage due to improper installation or water connection.**

Water flow is slower than normal.

- Check water pressure. Low water pressure will cause valve to leak. Self-piercing valves cause low water pressure. **Amana recommends using copper tubing to connect household plumbing to refrigerator. Do not use self-piercing valve. Amana is not responsible for property damage due to improper installation or water connection.**

Energy Tips

This refrigerator is designed to be one of the most energy efficient refrigerators available. Reduce energy use by observing the following.

- Operate in normal household temperatures of 55°–110°F (13°–43°C) away from heat sources and direct sunlight.
- Set refrigerator, freezer, and Chiller Fresh™ system controls no colder than necessary.
- Keep freezer section full.
- Keep door gaskets clean and pliable. Replace gaskets if worn.
- Keep condenser coil clean.

Vacation Tips

Complete the following steps for short vacations.

1. Remove perishable foods. **Warranty does not cover food loss.** Check warranty certificate for specific coverage.
2. If an ice maker is installed, move ice maker arm up, to off position.

Complete the following steps for long vacations.

1. Empty refrigerator and freezer sections.
2. Unplug refrigerator.
3. Clean refrigerator and door gaskets according to “General” instructions in “Care and Cleaning” section.
4. Prop doors open, so air can circulate inside.
5. If an ice maker is installed, turn water supply to refrigerator off and move ice maker arm up, to *off* position.

Warranty Refer to model number on serial plate to verify model warranty

Warranty applies to model numbers having ARS or DRS as first three characters of model number, and contain the numbers 7, 8, or 9 in the seventh position (i.e. ARSxxx7xx).


Full One Year Warranty Full Five Year Warranty on Sealed System Components and Food Compartment Liner Limited Ten Year Warranty on Sealed System Components	
First Year Amana will repair or replace, free of charge, any part which is defective due to workmanship or materials.	
Second through Fifth Year Amana will replace, free of charge, any sealed system component (compressor, condenser, evaporator, drier and interconnecting tubing) and repair any food compartment liner (exclusive of door liner) which is defective due to workmanship or materials.	
Sixth through Tenth Year Amana will provide a replacement part f.o.b. Amana, Iowa, for any sealed system component (compressor, condenser, evaporator, drier and interconnecting tubing), which is defective due to workmanship or materials.	
Warranty Limitations <ul style="list-style-type: none">• Begins at date of original purchase.• Excludes original and replacement water filtration cartridges(if equipped with the filtration system). Original and replacement cartridges are warranted for 30 days, parts only, against defects of material or workmanship.• Service must be performed by an authorized Amana technician.• Damage due to shipping and handling is not covered by this warranty.	Owner's Responsibilities <ul style="list-style-type: none">• Provide proof of purchase (sales receipt).• Provide normal care and maintenance. Replace owner replaceable items where directions appear in Owner's Manual.• Make product reasonably accessible for service.• Pay premium service costs for service outside technician's normal business hours.• Pay for service calls related to product installation and usage.
Warranty Is Void If <ul style="list-style-type: none">• Serial plate is defaced.• Product is used on a commercial, rental or leased basis.• Product has defect or damage due to product accident, alteration, connection to an improper electrical supply, fire, flood, lightning, or other conditions beyond the control of Amana.• Product is improperly installed or used.	In no event shall Amana be liable for incidental or consequential damages including food loss* *This warranty gives you specific legal rights and you may have others which vary from state to state. For example, some states do not allow the exclusion or limitation of incidental or consequential damages so this exclusion may not apply to you. Amana Appliance L.C. 2800 220th Trail Amana, IA 52204-0001 1-800-843-0304 or 1-319-622-5511

Warranty applies to model numbers having ARS or DRS as first three characters of model number, and contain the numbers 0, 1, 2, 3, 4, 5 or 6 in the seventh position (i.e. ARSxxx3xx).

Full One Year Warranty Full Five Year Warranty on Sealed System Components and Food Compartment Liner	
First Year Amana will repair or replace, free of charge, any part which is defective due to workmanship or materials.	
Second through Fifth Year Amana will replace, free of charge, any sealed system component (compressor, condenser, evaporator, drier and interconnecting tubing) and repair any food compartment liner (exclusive of door liner) which is defective due to workmanship or materials.	
Warranty Limitations <ul style="list-style-type: none">• Begins at date of original purchase.• Excludes original and replacement water filtration cartridges(if equipped with the filtration system). Original and replacement cartridges are warranted for 30 days, parts only, against defects of material or workmanship.• Service must be performed by an authorized Amana technician.• Damage due to shipping and handling is not covered by this warranty.	Owner's Responsibilities <ul style="list-style-type: none">• Provide proof of purchase (sales receipt).• Provide normal care and maintenance. Replace owner replaceable items where directions appear in Owner's Manual.• Make product reasonably accessible for service.• Pay premium service costs for service outside technician's normal business hours.• Pay for service calls related to product installation and usage.
Warranty Is Void If <ul style="list-style-type: none">• Serial plate is defaced.• Product is used on a commercial, rental or leased basis.• Product has defect or damage due to product accident, alteration, connection to an improper electrical supply, fire, flood, lightning, or other conditions beyond the control of Amana.• Product is improperly installed or used.	In no event shall Amana Appliances be liable for incidental or consequential damages including food loss* *This warranty gives you specific legal rights and you may have others which vary from state to state. For example, some states do not allow the exclusion or limitation of incidental or consequential damages so this exclusion may not apply to you. Amana Appliance L.C. 2800 220th Trail Amana, IA 52204-0001 1-800-843-0304 or 1-319-622-5511

Contenido

Requerimientos eléctricos	20
Identificación del modelo	20
Servicio	20
Plan de servicio extendido Asure™	20
Piezas y accesorios	20
Forma apropiada de desechar el refrigerador	21
Instrucciones para la instalación	21
Controles	24
Lista de verificación de la instalación	25
Características del refrigerador	26
Repisas del refrigerador	26
Sistema Chiller Fresh™ (en algunos modelos)	26
Cajón para embutidos (en algunos modelos)	26
Organizador de bebidas (en algunos modelos)	26
Cajones para verduras Garden Fresh™	27
Parrilla para almacenamiento (en algunos modelos)	27
Recipiente cubierto para almacenamiento (en algunos modelos)	27
Central para productos lácteos	28
Repisa para bocadillos (en algunos modelos)	28
Enfriador de Temperatura Controlada ara Bebidas Chiller™ (en algunos modelos)	28
Repisas y compartimientos de la puerta	29
Separador ajustable (en algunos modelos)	29
Dispositivo de retención para paquetes altos (en algunos modelos)	29
Características del congelador	30
Máquina de hielo automática (en algunos modelos)	30
Sistema Stor-Mor®	30
Cubo inclinado (en algunos modelos)	30
Para quitar el compartimiento del hielo	30
Surtidor de agua con control deslizable Ice'N Water™ (en algunos modelos)	31
Surtidor de agua con control electrónico Ice'N Water™ (en algunos modelos)	31
Cuidado y limpieza	33
Limpieza general	33
Eliminación de olores	33
Adhesivos	33
Empaques de la puerta	33
Serpentin del condensador	34
Repisas de vidrio	34
Focos	34
Sonidos normales de funcionamiento	35
Antes de llamar para solicitar servicio	36
Sugerencias para conservar energía	37
Sugerencias para cuando sale de vacaciones	37
Garantía	38

 **Reconozca este símbolo como
precaución de seguridad**

Requerimientos eléctricos



ADVERTENCIA

Para evitar descargas eléctricas que pueden causar lesiones personales graves o la muerte, no corte ni elimine la punta redonda de conexión a tierra del enchufe. El refrigerador debe estar conectado a tierra en todo momento. No quite el rótulo de advertencia del cordón eléctrico.

No utilice un adaptador de dos puntas. No utilice un cable de extensión.

Este refrigerador viene equipado con un enchufe de tres puntas (para conexión a tierra) para proveer protección contra posible riesgos de descargas eléctricas. Si el tomacorrientes de pared tiene sólo dos orificios, haga que un electricista experto reemplace este tomacorrientes de pared de dos orificios por otro de tres orificios correctamente conectado a tierra, de conformidad con el Código Eléctrico Nacional de los E.E. U.U.

Este refrigerador ha sido diseñado para que funcione conectado a una línea separada de 103 a 126 voltios, 15 amperios y 60 ciclos.

Identificación del modelo

Gracias por haber comprado este refrigerador Amana. Por favor lea todo el manual del propietario. Este manual proporciona información sobre el mantenimiento adecuado. Si tiene alguna pregunta, sírvase llamar al Departamento de asuntos del consumidor al 1-800-843-0304 dentro de los EE.UU. y al 1-319-622-5511 fuera de los EE.UU. También puede comunicarse con nosotros mediante la web en www.amana.com.

Llene la tarjeta de registro y envíela lo más pronto posible. Si el refrigerador no incluye una tarjeta de registro, llame al Departamento de asuntos al consumidor.

Cuando se comuniquen con Amana, proporcione la información del producto. La información del producto está en la placa de serie, ubicada en el techo de la sección Fresh Food.

Anote la siguiente información:

Número de modelo: _____

Número de fabricación: _____

Número de serie (S/N): _____

Fecha de adquisición: _____

Nombre y dirección del distribuidor: _____

Servicio

Guarde una copia de la factura de venta para futura referencia o en caso de que necesite un servicio de garantía. Si tiene alguna pregunta o para localizar a un técnico autorizado de servicio, llame al 1-800-NAT-LSVC (1-800-628-5782) dentro de los EE.UU. o al 319-622-5511 fuera de los EE.UU. o comuníquese con nosotros en www.amana.com para obtener información. Un técnico autorizado de servicio debe efectuar el servicio de garantía. Amana también recomienda ponerse en contacto con un técnico autorizado si necesita servicio después de que caduque la garantía.

Plan de servicio extendido Asure™

Amana ofrece un servicio de protección a largo plazo para esta nueva estufa. El Plan de servicio extendido Asure™ está diseñado especialmente para complementar la excelente garantía de Amana. Este plan cubre piezas, mano de obra y gastos de transportación. Llame al 1-800-528-2682, o comuníquese con nosotros en www.amana.com para obtener información.

Piezas y accesorios

La compra de piezas de repuesto y accesorios adicionales (como: repisas de refrigerador,) se puede hacer por teléfono. Si desea pedir accesorios para su

producto Amana llame al teléfono 1-800-843-0304 dentro de los EE.UU., o al 1-319-622-5511 fuera de los EE.UU. También puede comunicarse con nosotros mediante la web en www.amana.com.

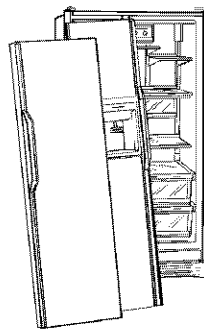
PELIGRO

Forma apropiada de desechar el refrigerador

IMPORTANTE: Los niños atrapados y asfixiados en refrigeradores no es cosa del pasado. Los refrigeradores que se arrumban o abandonan, aun cuando sea por "sólo unos cuantos días", continúan siendo un peligro. Si desecha un refrigerador viejo, sírvase seguir las siguientes instrucciones para ayudar a prevenir un accidente.

ANTES DE TIRAR SU REFRIGERADOR O CONGELADOR VIEJO:

- Quítele las puertas.
- Déjele las repisas puestas para que los niños no puedan meterse fácilmente.



Instrucciones para la instalación

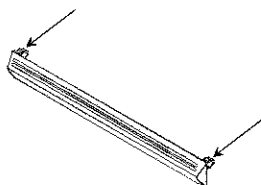
La instalación correcta asegurará que este refrigerador funcione más eficazmente. Amana no puede responsabilizarse por una instalación incorrecta.

1. Quite las puertas si es necesario.

ADVERTENCIA

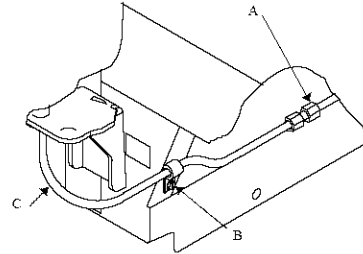
Para evitar el riesgo de descargas eléctricas que pueden causar lesiones personales graves o la muerte, desconecte la fuente de energía del refrigerador antes de quitarle las puertas. Después de colocar las puertas nuevamente, conecte la fuente de energía.

- a. Quite la parrilla inferior sacándola hacia adelante horizontalmente. La parrilla se soltará.



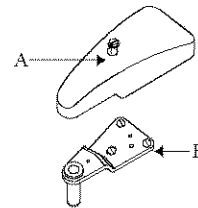
b. Solamente los modelos con surtidor

Afloje el tornillo de la abrazadera del tubo del agua. Afloje la tuerca de unión del tubo de plástico del agua. Saque el tubo del agua de la tuerca de unión y de la abrazadera del tubo.



- A. Tuerca de unión del tubo de plástico del agua
 B. Tornillo de la abrazadera del tubo del agua
 C. Tubo del agua

- c. Quite la cubierta de la bisagra superior (A).



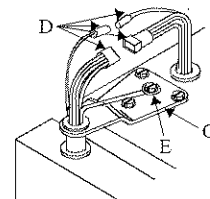
- A. Cubierta de la bisagra superior B. Bisagra superior

ADVERTENCIA

Para evitar descargas eléctricas que pueden causar lesiones personales graves o la muerte, el alambre a tierra verde debe permanecer unido a la bisagra.

d. Solamente los modelos con surtidor

Desconecte los conectores de los cables de la bisagra superior (D). Quite los tornillos de cabeza hexagonal de 5/16". **No quite el cable verde de conexión a tierra ni el tornillo (E) de la bisagra (C).** Quite cuidadosamente la bisagra superior (C) de los conectores del cableado preformado (D).

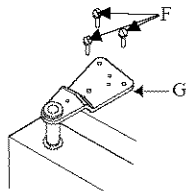


- C. Bisagra superior E. Tornillo y cable verde de conexión a tierra
 D. Conectores del cable de la bisagra



d. **Modelos sin surtidor**

Levante y quite cuidadosamente la bisagra superior (G) quitando los tornillos de cabeza hexagonal de $\frac{5}{16}$ " (F). No mueva la posición de los espaciadores de la bisagra.



F. Tornillos de cabeza hexagonal de $\frac{5}{16}$ " G. Bisagra superior

e. Quite las puertas.

PRECAUCIÓN

Proteja los pisos suaves de vinilo o de otro tipo, con cartones, mantas o algún otro material protector para evitar daños materiales.

f. Vuelva a colgar las puertas en su lugar siguiendo los pasos "a" al "e" en sentido inverso. Use una moneda pequeña encima de las puertas para espaciarlas $\frac{3}{4}$ pulgada (18 mm) del gabinete.

2. Instalación del cartucho de filtración de agua (en algunos modelos)

- a. Quite el cartucho de derivación de la cabeza del filtro de agua que está ubicado en la esquina posterior derecha de la sección del refrigerador. Gire el cartucho en sentido contrario al de las manecillas del reloj $\frac{1}{4}$ de vuelta y empuje hacia adentro para quitarlo. Conserve el derivador para usarlo si el cartucho de reemplazo del filtro de agua no está disponible inmediatamente.
- b. Vea *Instrucciones de instalación y operación del sistema de filtrado de agua* que se adjunta con el cartucho del filtro de agua para la instalación y operación del filtro.

La cantidad y condición del agua usada determinan la duración del cartucho del filtro de agua. El reemplazo para un hogar con un consumo de agua promedio será aproximadamente cada seis meses. Si el consumo de agua es alto, o si el agua es de mala calidad, quizá se tendrá que reemplazar antes de los seis meses. Vea *Instrucciones de instalación y operación del sistema de filtrado de agua* que se adjunta al cartucho del filtro de agua para obtener más información.

3. Conexión del suministro de agua

ADVERTENCIA

Para evitar descargas eléctricas que pueden causar lesiones personales graves o la muerte, desconecte la fuente de energía del refrigerador antes de conectar el suministro de agua. Después de conectar el suministro de agua, conecte la fuente de energía.

PRECAUCIÓN

Para evitar daños materiales, ejecute los pasos siguientes:

- Compruebe que la presión del agua en la válvula del agua esté entre 20 y 100 libras por pulgada cuadrada.
- Si va a instalar un filtro de agua, la presión del agua a la válvula del agua debe ser cuando menos de 35 libras por pulgada cuadrada.
- Apriete la tuerca del adaptador manualmente para evitar enroscarla mal. Termine de apretar las tuercas con pinzas y llaves. No apriete de más.
- Revise si hay goteras de agua y arréguelas si es necesario antes de volver a colocar el refrigerador en su lugar y 24 horas después de conectarlo.

Importante

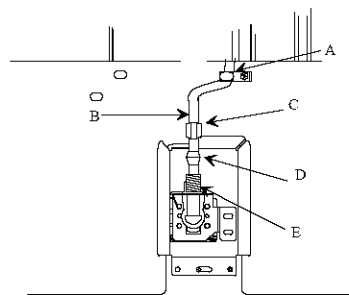
- Antes de conectar el suministro de agua, comuníquese con un plomero para que conecte la tubería de cobre a la tubería de la casa en conformidad con los códigos y reglamentos locales.
- **No es recomendable que utilice válvulas tipo de penetración o de sillín de $\frac{3}{16}$ " (4.8mm).** Ambas reducen el flujo del agua, con el tiempo se obstruyen y pueden causar goteras si trata de repararlas. El tipo correcto de válvula de cierre requiere que se haga un orificio de $\frac{1}{4}$ " (6 mm) en la tubería del suministro de agua antes de conectar la válvula. El fabricante no es responsable por daños causados por la conexión incorrecta.

Materiales necesarios

Tubería de cobre flexible de $\frac{1}{4}$ " (6 mm). La longitud de la tubería de cobre debe alcanzar desde la conexión del suministro de agua más 8 pies (2 m) adicionales de tubería para un lazo de servicio.

Procedimiento

a. Quite el tapón de plástico del orificio de entrada de la válvula del agua. Coloque la tuerca y el manguito de latón en la tubería de cobre. Inserte ésta en el orificio de entrada de la válvula del agua. Conecte la tuerca de bronce en la tubería de cobre al orificio de entrada de la válvula del agua. Verifique que la tubería de cobre esté bien segura tirando de ella ligeramente.



A. Abrazadera "P" D. Manguito de latón
B. Tubería de cobre E. Conexión de la entrada de la válvula de agua
C. Tuerca de latón

- b. Abra el suministro de agua que va al refrigerador y revise posibles goteras. Arregle según sea necesario.
- c. Haga un lazo de servicio con extremo cuidado para evitar dobleces. **Asegure la tubería de cobre al gabinete del refrigerador con una abrazadera "P"**.

4. Conecte el cordón eléctrico.

5. Mueva el refrigerador a la ubicación final.

⚠ PRECAUCIÓN

Proteja los pisos suaves de vinilo o de otro tipo, con cartones, mantas o algún otro material protector para evitar daños materiales.

- a. Deslice la carretilla debajo de un lado del refrigerador. Envuelva el refrigerador con una manta o almohadilla. Pase la correa de la carretilla alrededor del refrigerador y apriétela. No la apriete de más. Mueva el refrigerador enfrente de la ubicación final.

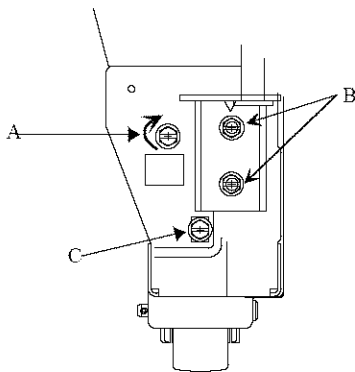
⚠ PRECAUCIÓN

Para evitar daños materiales y daños a la unidad, no use herramientas motorizadas para ajustar el nivel. Sólo use herramientas manuales.

6. Estabilice el refrigerador y alinee las puertas.

Si el refrigerador se mece o no está estable sobre el piso, realice los pasos siguientes:

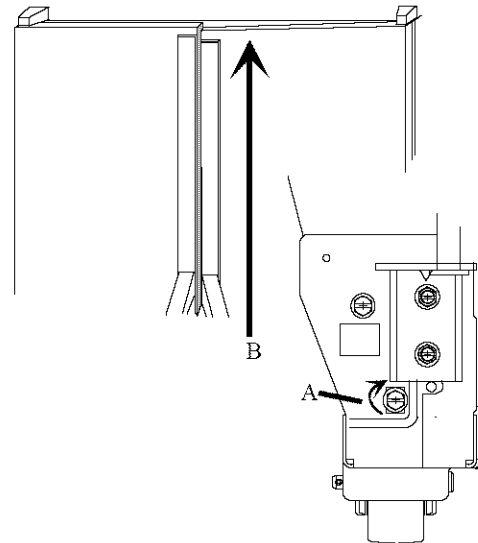
- Determine cuál esquina trasera es la que se mece.
- Quite la rejilla inferior para tener acceso a los tornillos de ajuste de rodillo.
- Gire el tornillo de ajuste de rodillo trasero en el sentido de las manecillas del reloj para elevar la esquina que se mece.



- A Tornillo de ajuste de rodillo trasero
- B Tornillos de la bisagra de la puerta
- C Tornillo de ajuste de rodillo delantero

Si la parte superior de las puertas no está nivelada, realice los pasos siguientes:

- Quite la parrilla inferior.
- Determine qué puerta necesita bajarse.
- Para bajar la esquina de la puerta, gire el tornillo del rodillo de ajuste en sentido contrario al de las manecillas del reloj.
- El tornillo del rodillo de ajuste debe girarse hasta que las puertas estén niveladas.



- A. Gire el tornillo del rodillo de ajuste para bajar la puerta.
- B. Gire el tornillo del rodillo de ajuste para subir la puerta.

7. Revise la "Lista de verificación de la instalación" en el Manual del propietario con el cliente.

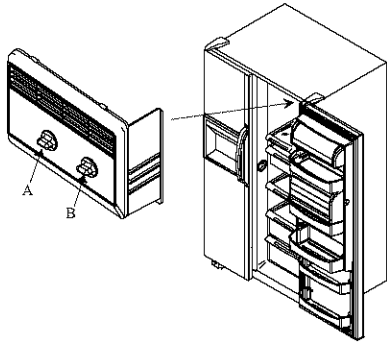
- Revise la alineación de la parte superior de las puertas. Si éstas están niveladas, coloque de nuevo la rejilla inferior.

Controles

Este refrigerador está diseñado para funcionar con mayor eficacia en temperaturas domésticas normales, entre 55° y 110°F (13° y 43°C).

Controles del refrigerador y del congelador

Los controles del refrigerador y del congelador están localizados en la parte superior de la pared posterior de la sección del refrigerador.



- A. Control del congelador
- B. Control del refrigerador

Cuando el control del congelador se ajusta en *off* (*apagado*), ni la sección del refrigerador ni la del congelador enfriarán.

Controles de ajuste

El ajuste *1* es el menos frío y el *7* es el más frío, comience ajustando ambos controles en *4*.

Ajuste los controles con un termómetro doméstico que incluya temperaturas de -5° a 50°F (-21° a 10° C).

Coloque el termómetro ajustado entre los paquetes congelados en la sección del congelador. Espere de 5 a 8 horas. Si la temperatura del congelador no está de 0° a 2° F (-17° a -16° C), ajuste el control del congelador un solo número a la vez. Revise la temperatura una vez más después de 5 a 8 horas.

Coloque el termómetro en un vaso de agua en el centro de la sección del refrigerador. Espere de 5 a 8 horas. Si la temperatura del refrigerador no está en 38° a 40°F (3° a 4°C), ajuste el control del refrigerador un solo número a la vez. Revise la temperatura una vez más después de 5 a 8 horas.

Lista de verificación de la instalación

Esta lista de verificación es solamente para su archivo personal.

Consumidor Instalador

- | | | |
|--------------------------|--------------------------|---|
| <input type="checkbox"/> | <input type="checkbox"/> | Puertas |
| <input type="checkbox"/> | <input type="checkbox"/> | Las puertas están alineadas entre sí. (Después de añadir los alimentos al refrigerador, el consumidor deberá revisar la alineación de las puertas.) |
| <input type="checkbox"/> | <input type="checkbox"/> | Las puertas se sellan completamente al gabinete del refrigerador. |
| <input type="checkbox"/> | <input type="checkbox"/> | Las asas están conectadas firmemente a las puertas. |
| | | Modelos electrónicos Touchmatic™ y Surtidores Ice 'N'Water™ |
| <input type="checkbox"/> | <input type="checkbox"/> | Si se quitaron las puertas para instalar el refrigerador, los conectores de alambre de la bisagra superior están reconectados. |
| | | Nivelación |
| <input type="checkbox"/> | <input type="checkbox"/> | El refrigerador está estable. |
| <input type="checkbox"/> | <input type="checkbox"/> | La rejilla inferior está unida al refrigerador correctamente. |
| | | Máquina para hacer hielo |
| <input type="checkbox"/> | <input type="checkbox"/> | La línea de suministro de agua al refrigerador está conectada y abierta. |
| <input type="checkbox"/> | <input type="checkbox"/> | No hay goteras en la conexión entre la línea de suministro de la casa y el refrigerador. (24 horas más tarde el consumidor debe revisar la conexión para ver si hay goteras.) |
| <input type="checkbox"/> | <input type="checkbox"/> | El brazo de la máquina para hacer el hielo está en la posición para producir hielo. (La producción inicial de hielo puede tardar hasta 24 horas.) |
| | | Información del producto |
| <input type="checkbox"/> | <input type="checkbox"/> | Se revisó el Manual del propietario incluso la información a continuación. <ul style="list-style-type: none">• tarjeta de registro del producto• controles del refrigerador y del congelador• sistema Chiller Fresh™• cajones para verduras Garden Fresh™• sonidos de funcionamiento normal• instalación y reemplazo del filtro de agua (vea el paquete de filtración de agua) |
| | | Filtros de agua (en algunos modelos) |
| <input type="checkbox"/> | <input type="checkbox"/> | • Se quitó el cartucho de derivación y se instaló el filtro de agua. |
| <input type="checkbox"/> | <input type="checkbox"/> | • No hay goteras alrededor de la cabeza del fitro. |

Notas _____

Firma del cliente

Firma del instalador

Nombre y teléfono de la compañía del instalador

Fecha

Características del refrigerador

PRECAUCIÓN

Verifique que la repisa esté firmemente puesta antes de colocar artículos en ella para evitar daños materiales.

Repisas del refrigerador

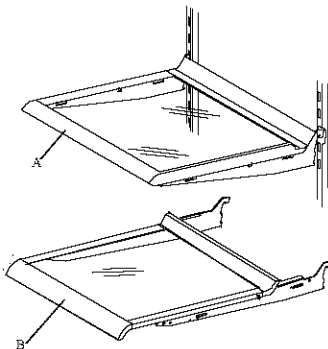
Todos los modelos que cuentan con las repisas Spillsaver™. Estas repisas detienen derrames simples para facilitar la limpieza. Las repisas se ajustan hacia arriba y hacia abajo para satisfacer las necesidades individuales de almacenaje.

PRECAUCIÓN

Maneje con cuidado las repisas de vidrio templado para evitar lesiones personales o daños materiales. Las repisas se pueden romper súbitamente si tienen fracturas, rayaduras o se exponen a cambios repentinos de temperatura.

- Quite las repisas levantando la parte delantera y liberando los ganchos de la guía metálica, después jalándolas hacia afuera.
- Vuelva a colocar las repisas insertando los ganchos en la guía metálica y bajando la parte delantera.

Algunos modelos cuentan también con repisas deslizables EasyGlide™ que se pueden deslizar hacia adelante para tener acceso fácil a los artículos de la parte posterior.



A. Repisa Spillsaver™
B. Repisa EasyGlide™

Sistema Chiller Fresh™ (en algunos modelos)

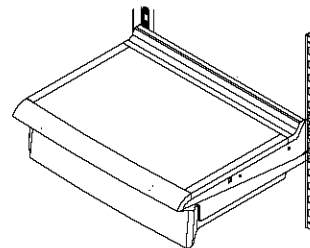
El sistema Chiller Fresh™ consiste de un cajón dentro de un compartimiento aislante. El aire del congelador circula entre el cajón y el compartimiento aislante. Este sistema conserva frescos los alimentos por más tiempo y hasta 5°F (3°C) más fríos que la temperatura del refrigerador. Utilice este cajón para almacenar embutidos o para vegetales adicionales.

El control Chiller Fresh™ se encuentra ubicado debajo del adorno de la repisa delantera. El control ajusta la cantidad de aire que circula alrededor del cajón. Deslice el control hacia *cold* (frío) para la temperatura normal del refrigerador y hacia *coldest* (más frío) para una temperatura más fría. Es posible que se formen cristales

de hielo en el cajón o en los alimentos en la posición *coldest* (más frío). El aire frío que entra al cajón para carnes puede disminuir la temperatura del refrigerador. Tal vez sea necesario ajustar el control del refrigerador.

Para ajustar o limpiar:

- Saque el cajón levantándolo y jalándolo hacia afuera. Quite la repisa levantando desde la parte delantera y liberando los ganchos de la guía metálica y luego jale hacia afuera.
- Vuelva a colocar la repisa insertando los ganchos en la guía metálica y bajando la parte delantera. Use las ranuras 8 a 11 solamente. Vuelva a colocar el cajón deslizándolo hacia adentro. Cerciñese de que el manguito aislador esté sobre la entrada de aire de la pared lateral.



Cajón para embutidos Deli Drawer™ (en algunos modelos)

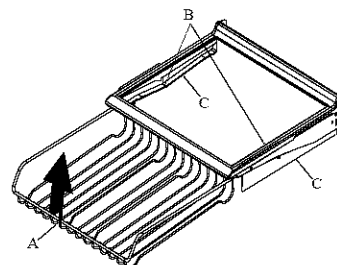
Para ajustar o limpiar:

- Quite el cajón levantándolo y jalándolo hacia afuera. Quite la repisa levantando la parte delantera, liberando los ganchos de la guía metálica y después retirándola.
- Vuelva a colocar la repisa insertando los ganchos en la guía metálica y bajando la parte delantera. Vuelva a colocar el cajón deslizándolo hacia adentro.

Organizador de bebidas (en algunos modelos)

El organizador de bebidas se desliza por debajo de la repisa deslizable. Éste puede contener 12 latas u otras bebidas que desee.

- Quite el organizador tirando del mismo hasta que entre en las guías del riel de la repisa. Levante la parte delantera del organizador y sáquelo.
- Para volver a colocarlo, guíe el organizador dentro de los rieles de la repisa hasta que el movimiento hacia adelante tope con las guías. Levante el frente del organizador y muévelo hacia la parte de atrás del refrigerador.



A. Repisa del organizador
B. Tope
C. Rieles de la repisa

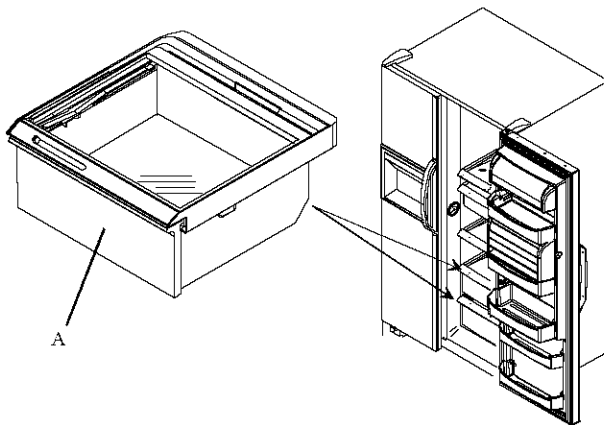
Cajones para verduras Garden Fresh™ (en algunos modelos)

Los cajones Garden Fresh™ conservan frescas las verduras por más tiempo. Envuelva las verduras estrechamente. No lave las verduras antes de colocarlas en los cajones. El exceso de humedad podría causar que se echen a perder prematuramente. No forre los cajones para verduras con toallas de papel porque retienen la humedad.

Los controles del cajón Garden Fresh™ están ubicados debajo del adorno de la repisa delantera. El control ajusta la humedad en los cajones para frutas y verduras. Deslice el control hacia *high* (alta) para productos que tienen hojas, como la lechuga, espinacas o repollo. Deslice el control a *low* (bajo) para los vegetales con cáscara tales como coliflores, elotes, calabacitas o tomates.

PRECAUCIÓN

Maneje con cuidado las repisas de vidrio templado para evitar lesiones personales o daños materiales. Las repisas se pueden romper súbitamente si tienen fracturas, rayaduras o se exponen a cambios repentinos de temperatura.



A. Cajón para frutas y verduras

Quite los cajones para frutas y verduras garden fresh efectuando los pasos siguientes:

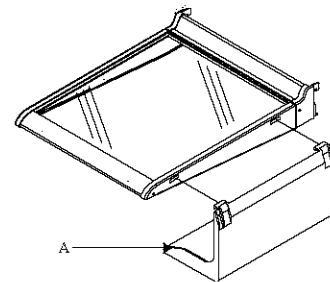
1. Quite el cajón para frutas y verduras tirando de él hacia afuera y luego levantando el frente.
2. Quite la rejilla del cajón para frutas y verduras levantando el frente de la repisa mientras lo sostiene por debajo y luego jalándolo.
3. Coloque los cajones para frutas y verduras y la repisa ejecutando los pasos 1 al 2 en orden inverso.

Parrilla para almacenamiento (en algunos modelos)

La parrilla para almacenamiento ofrece un conveniente lugar para almacenar artículos como botellas altas, huevos, etc.

Dependiendo de dónde acomode la repisa, cuélguela usando uno de los métodos siguientes. La parrilla no puede instalarse enseguida del foco de la sección inferior del refrigerador.

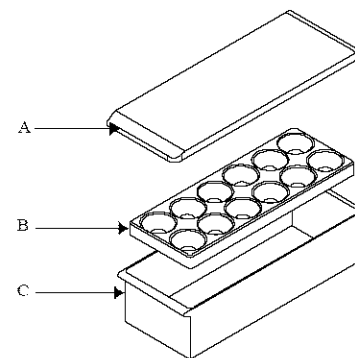
- Quite la parrilla levantando el frente, soltando los ganchos de los rieles metálicos y jalándola hacia fuera. Cuelgue la parrilla insertando las lengüetas en las ranuras en el costado de la repisa. Vuelva a colocar la repisa insertando los ganchos en los rieles metálicos y bajando la parte del frente.
o bien
- Deslice la parrilla a lo largo de la repisa hasta que las lengüetas estén insertadas en las ranuras.



A. Parrilla para almacenamiento

Recipiente cubierto para almacenamiento (en algunos modelos)

El recipiente para almacenamiento tiene una tapa y una bandeja desmontable para huevos. Cuando se saca la bandeja, se pueden acomodar artículos tales como cajas regulares de huevos, hielo, etc.



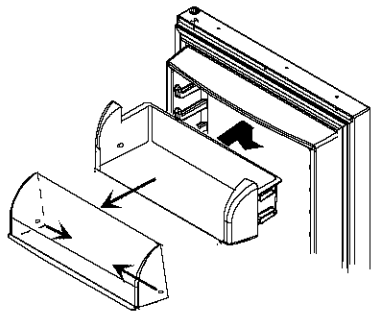
A. Tapa
B. Bandeja para huevos
C. Recipiente para almacenamiento

Central para productos lácteos (en algunos modelos)

La central para productos lácteos ofrece un conveniente lugar para guardar mantequilla, queso, etc.

La central para productos lácteos es ajustable para satisfacer las necesidades de almacenamiento. También se puede sacar para lavarla. Para sacarla siga los pasos a continuación:

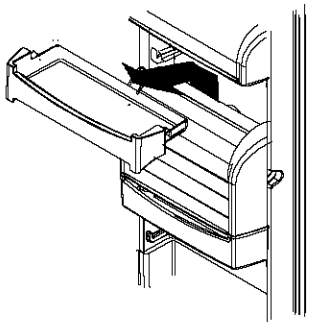
- Quite la central para productos lácteos abriendo la cubierta. Empuje la cubierta hacia el interior de los puntos de pivote y júlela hacia fuera. Levante la central para productos lácteos y júlela para quitarla.
- Coloque la central de lácteos nuevamente siguiendo el procedimiento en orden inverso.



Repisa para bocadillos (en algunos modelos)

La repisa para bocadillos ofrece un conveniente lugar para guardar artículos pequeños y bocadillos.

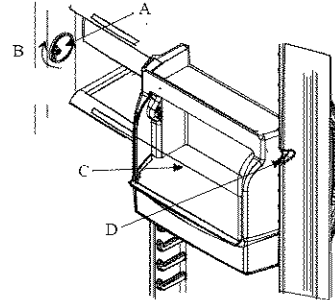
Para quitar la repisa levántela y júlela hacia fuera. Vuelva a colocar la repisa deslizándola por encima del riel de apoyo que desee y empujándola en su lugar.



Enfriador de temperatura controlada para bebidas Chiller™ (en algunos modelos)

Este enfriador mantiene las bebidas hasta 5°F (3°C) más frías que la sección del refrigerador. La entrada de aire permite que el aire de la sección del congelador pase al enfriador de bebidas Chiller™. La entrada de aire se encuentra ubicada en la pared interior de la puerta del refrigerador.

El control del Chiller™ de bebidas está ubicado en la pared delantera izquierda de la sección del refrigerador. El control ajusta la cantidad de aire que circula en el Chiller™. Gire el control a *COLD (FRÍO)* para tener una temperatura de refrigerador normal y a *COLDER (MÁS FRÍO)* para una temperatura más fría.



- A. Control de temperatura de bebidas Chiller™
- B. Gire el control en el sentido de las manecillas del reloj para obtener una temperatura más fría
- C. Puerta del Chiller™ de bebidas
- D. Entrada de aire

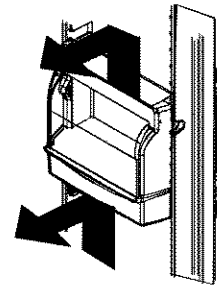
Diseño con puerta abierta hacia arriba del enfriador de bebidas Chiller™

El enfriador de bebidas Chiller™ viene con una abertura hacia arriba y con un rodillo para abrir. Es ajustable para satisfacer las necesidades de almacenaje y limpieza.

Para quitar el enfriador de bebidas Chiller™ siga los pasos a continuación:

1. Sujete el enfriador por los lados levantándolo y jalándolo hacia afuera para quitarlo.

Nota: Si el enfriador tiene una sección inferior separada, quítela empujándola hacia arriba y tirando de ella hacia afuera.



- A. Sección inferior del enfriador de bebidas Chiller™

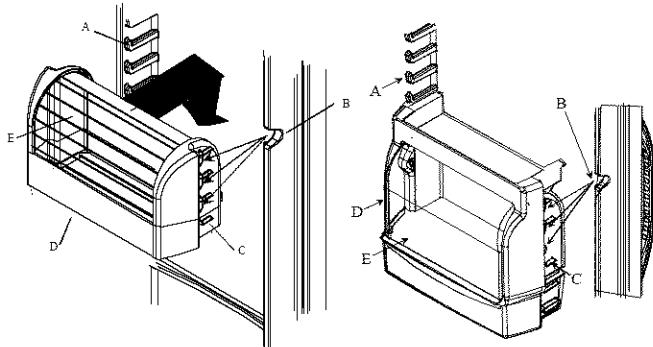
Diseño con puerta abierta hacia arriba del enfriador de bebidas Chiller™

Para volver a colocarlo:

1. Deslice la parte inferior del Chiller™ entre los rieles de las repisas que se desee en el recubrimiento de la puerta y empuje hacia abajo en su lugar.
 - Si se limpia la guía de la puerta del Chiller™, éste debe lubricarse con jalea de petróleo para que funcione apropiadamente.
2. Deslice el enfriador Chiller™ entre los rieles de las repisas que se desee en el recubrimiento de la puerta y empuje hacia abajo en su lugar sobre la parte inferior del mismo.

IMPORTANTE

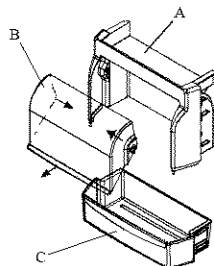
Para que el enfriador de bebidas Chiller™ funcione correctamente, uno de los orificios de la entrada de aire debe estar alineado con la muesca del puente de la puerta derecha.



- A. Riel de la repisa del recubrimiento de la puerta
- B. La muesca del puente de la puerta debe alinearse con uno de los orificios de entrada de aire frío del enfriador de bebidas Chiller™
- C. Pestaña
- D. Enfriador de bebidas Chiller™
- E. Puerta del enfriador de bebidas Chiller™

Diseño con puerta abierta hacia arriba del enfriador de bebidas Chiller™

- Quite la cubierta del enfriador (solamente en el modelo que se abre hacia arriba) abriendo la cubierta. Empuje la cubierta hacia adentro en los puntos del pivote y tire de la cubierta hacia afuera. Vuelva a colocar la cubierta invirtiendo el procedimiento.



- A. Parte superior del enfriador de bebidas Chiller™
- B. Cubierta del enfriador de bebidas Chiller™
- C. Parte inferior del enfriador de bebidas Chiller™

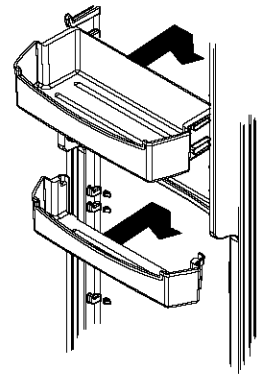
Diseño con puerta abierta hacia arriba del enfriador de bebidas Chiller™

Repisas y compartimientos de la puerta

La ilustración a continuación no representa todos los diseños de caja y repisas disponibles, sin embargo las instrucciones siguientes corresponden a todas las unidades.

Los compartimientos de la puerta se ajustan para satisfacer las necesidades individuales de almacenamiento.

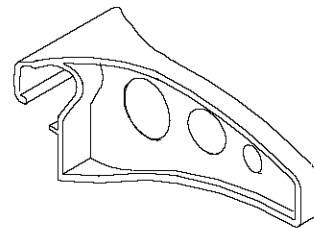
- Quite los compartimientos de la puerta levantándolos y jalándolos hacia fuera.
- Coloque los compartimientos en su lugar deslizándolos entre los rieles y encajándolos en su lugar.



Compartimientos de la puerta

Separador ajustable (en algunos modelos)

El separador ajustable mantiene los artículos en su sitio y se ajusta para satisfacer las necesidades individuales de almacenamiento. El separador cabe en cualquier compartimiento o repisa de la puerta.



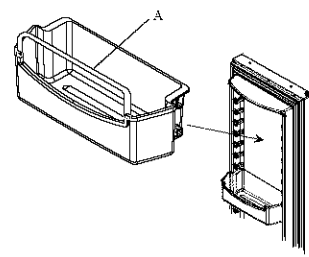
Separador ajustable

Dispositivo de retención para paquetes altos (en algunos modelos)

El dispositivo de retención para paquetes altos mantiene seguros los artículos altos. El dispositivo cabe en cualquiera de los compartimientos de la puerta. Éste es ajustable a dos diferentes alturas en las repisas de la puerta del refrigerador.

Para instalarlo, insértelo en los orificios a cada lado del compartimiento de la puerta o al frente de la repisa.

- Instale el dispositivo con las perillas en la cara del retén hacia fuera para la posición alta.
- Para la posición más baja, instale el dispositivo de retención con las perillas en la cara del retén hacia dentro. Las perillas se deslizan en las ranuras en los orificios del retén en el interior del compartimiento del frente.



A . Dispositivo de retención para paquetes altos

Instalación del dispositivo de retención para paquetes altos

Características del congelador

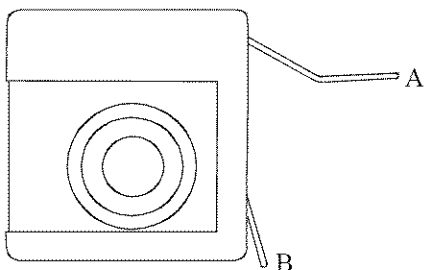


PRECAUCIÓN

Verifique que la repisa esté firmemente puesta antes de colocar artículos en ella para evitar daños materiales.

Máquina automática de hielos (en los modelos con surtidor)

- Verifique que los recipientes para hielo estén en su sitio y que el brazo de la máquina de hielo esté hacia abajo.



- A. Posición "Off" (desactivada)
- B. Posición "On" (activada)

- Después que la sección del congelador alcanza la temperatura normal, la máquina de hielo se llena de agua y comienza a funcionar. Espere de 24 a 48 horas después de instalarla para que los hielos estén listos. La máquina de hielo produce de 7 a 9 raciones de hielo durante 24 horas bajo condiciones ideales.
- Después de que se forma el hielo, la máquina deja caer los cubos de hielo adentro del recipiente. Mientras el hielo se está haciendo, el brazo de la máquina se levanta y se baja. Cuando el recipiente de hielo se llena, el brazo de la máquina la desactiva. Deseche las tres primeras raciones de hielo para no consumir ninguna impureza que quede en la línea de agua al instalarla y después de períodos largos de tiempo sin usarla.
- Si desea detener la producción automática de hielo levante el brazo de la máquina. Se escucha claramente un chasquido cuando se coloca en la posición adecuada. El brazo de la máquina se quedará en esta posición hasta que se empuje hacia abajo.



PRECAUCIÓN

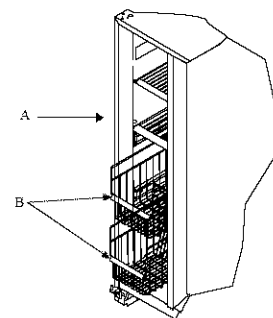
Para evitar que se dañe la máquina de hielo, ejecute los pasos siguientes:

- No fuerce el brazo de la máquina de hielo hacia arriba ni hacia abajo.
- No coloque ni almacene nada en el compartimiento para hielo.

Sistema Stor-Mor®

Las cestas metálicas se deslizan hacia fuera para facilitar el acceso a los artículos que están en la parte posterior y pueden reacomodarse para satisfacer las necesidades individuales de almacenamiento.

- Quite canastas de alambre jalándolas hacia fuera y levantándolas. Vuelva a colocar las canastas de alambre colocándolas en las guías laterales. Deslice las canastas a la derecha y hacia atrás hasta que la perilla redonda esté atrás del tope de la guía.
- Quite la repisa levantando el lado derecho fuera de los sujetadores y jalando hacia fuera de los orificios de montaje del lado izquierdo. Para volver a instalar la repisa invierta los pasos.



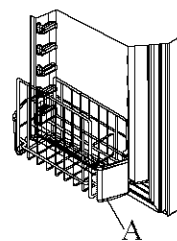
- A. Repisa de alambre
- B. Canasta de alambre

Cubo inclinado (en algunos modelos)

El cubo inclinado proporciona un almacén conveniente para artículos de alimentos congelados en la puerta del congelador. Puede moverse a diferentes áreas en la puerta del congelador y se inclina hacia adelante para tener un acceso fácil a esos artículos.

Para ajustarlo o limpiarlo:

- Quite el cubo empujándolo hacia arriba y tirando hacia afuera.
- Vuelva a colocar el cubo deslizándolo entre los rieles de la repisa y empujando el cubo de la puerta hacia abajo en su lugar.

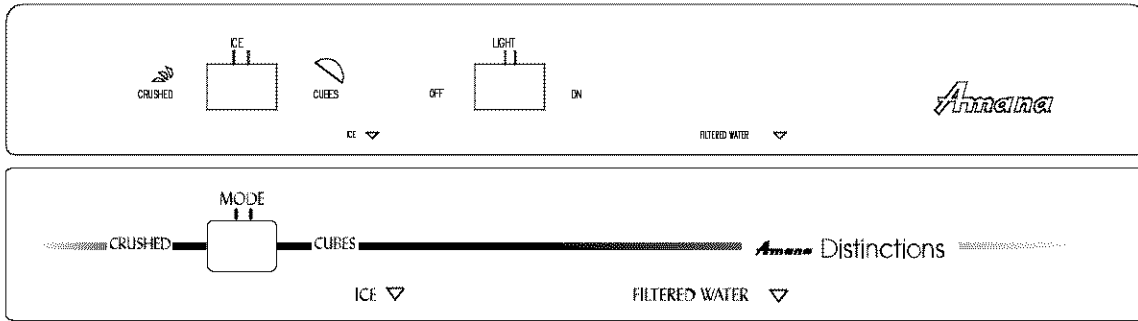


- A. Cubo

Para quitar el compartimiento del hielo

- Quite el compartimiento del hielo levantándolo y jalándolo hacia fuera.
- Coloque el compartimiento de nuevo en su lugar deslizándolo hasta que el compartimiento se acomode en su lugar. El compartimiento del hielo debe estar acomodado en su lugar para dispensar hielo apropiadamente. Si la puerta del congelador no cierra, el compartimiento no está en la ubicación correcta.

Surtidor de agua y hielo Ice'N' Water™ con control deslizable (en algunos modelos)



PRECAUCIÓN

Para evitar daños personales o materiales, siga las instrucciones a continuación:

- No use el surtidor con la puerta del congelador abierta.
- No introduzca los dedos, las manos o algún objeto extraño en el orificio del surtidor.
- No use objetos afilados para quebrar el hielo.

Funcionamiento del surtidor de agua

Toma aproximadamente 1 minuto después de conectar por primera vez el refrigerador al suministro de agua doméstica para que comience a salir el agua. Deseche los primeros 10 a 14 recipientes de agua después de conectar por primera vez el refrigerador al suministro de agua y después de períodos de tiempo largos sin usarse.

- Dispense el agua oprimiendo firmemente un recipiente de boca ancha contra la barra del surtidor de agua.
- Detenga el agua dejando de oprimir la barra. Una pequeña cantidad de agua puede continuar cayendo. La repisa de derrames no tiene drenaje, los derrames grandes deben secarse.

Funcionamiento del surtidor del hielo

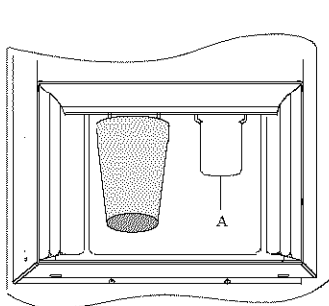
PRECAUCIÓN

Para evitar lesiones personales o daños materiales, no dispense hielo directamente en vidrio delgado, porcelana fina o cristal delicado.

- Seleccione la función de hielos en cubos o triturado deslizando la palanca en el panel del surtidor. Dispense el hielo oprimiendo un recipiente de boca ancha contra la barra del surtidor de hielo.

Importante

Reduzca el salpicado de hielo triturado sosteniendo el recipiente de boca ancha directamente debajo del canal del hielo y tan arriba como sea posible en el área del surtidor.



A. Barra surtidora

- Para detener el surtido de hielo libere la presión en la barra antes de que el recipiente esté lleno. Algo de hielo continuará cayendo. No quite el recipiente hasta que caiga el último hielo.

Si se dispensa hielo de modo continuo, el motor del surtidor está diseñado para apagarse después de 3 a 5 minutos. El motor se reinicia después de 3 minutos y entonces se puede continuar dispensando hielo.

Cuando se cambia la función de hielo de cubos a triturado ocurre un pequeño retraso. Los pedazos de hielo triturado varían en tamaño y forma. Se puede formar "nieve" en la puerta y en el canal de hielo cuando se dispensa repetidamente hielo triturado. Permita que la "nieve" se evapore y séquela.

Sabor y olor

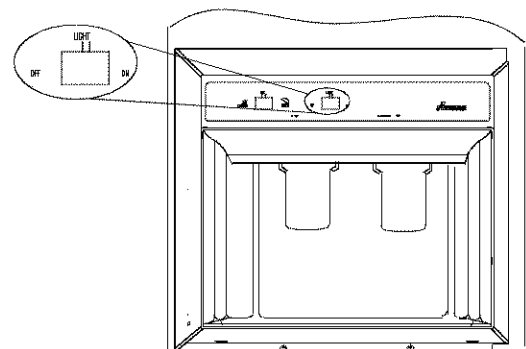
Ejecute los pasos siguientes para minimizar las dificultades con el sabor y el olor:

- Guarde los alimentos en recipientes herméticamente sellados o en bolsas a prueba de humedad.
- Comuníquese con la compañía de tratamiento de agua local para obtener ayuda especializada si los problemas persisten.
- Si el refrigerador tiene un filtro de agua, reemplace el cartucho del filtro de agua. Vea *Instalación y funcionamiento del sistema de filtrado de agua* para el procedimiento de reemplazo.

Luz del surtidor (en algunos modelos)

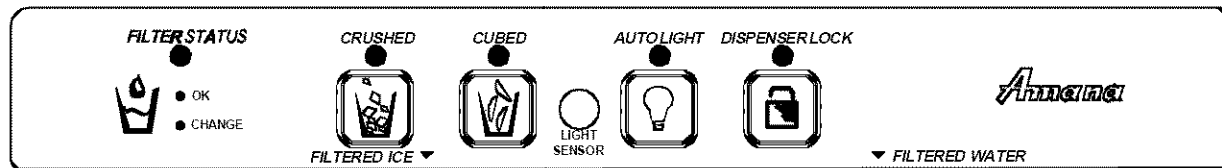
Una luz se activa cuando dispensa hielo o agua. Algunos modelos vienen con una luz de noche.

- Active la luz de noche oprimiendo el interruptor localizado por abajo del surtidor y a la izquierda de la barra surtidora de hielo.



A. Interruptor de luz de noche

Surtidor de agua y hielo Ice'N' Water™ con control electrónico (en algunos modelos)



PRECAUCIÓN

Para evitar daños personales o materiales, siga las instrucciones a continuación:

- No use el surtidor con la puerta del congelador abierta.
- No introduzca los dedos, las manos o algún objeto extraño en el orificio del surtidor.
- No use objetos afilados para quebrar el hielo.

Funcionamiento del surtidor de agua

Toma aproximadamente 1 minuto después de conectar por primera vez el refrigerador al suministro de agua doméstica para que comience a salir el agua. Deseche los primeros 10 a 14 recipientes de agua después de conectar por primera vez el refrigerador al suministro de agua y después de períodos de tiempo largos sin usarse.

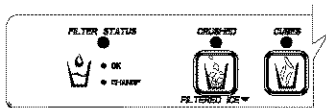
- Dispense el agua oprimiendo firmemente un recipiente de boca ancha contra la barra del surtidor de agua.
Nota: Si el surtidor de agua está activo durante más de 5 minutos, un sensor automático de cierre apagará la energía del área de surtido. Vea *Cierre automático* para obtener más información.
- Detenga el agua dejando de oprimir la barra. Una pequeña cantidad de agua puede continuar cayendo. La repisa de derrames no tiene drenaje, los derrames grandes deben secarse.

Funcionamiento del surtidor del hielo

PRECAUCIÓN

Para evitar lesiones personales o daños materiales, no dispense hielo directamente en vidrio delgado, porcelana fina o cristal delicado.

- Seleccione la modalidad de cubos o triturado empujando el botón en el panel del surtidor. Una luz indicadora verde encima del botón indica la selección actual. Surta el hielo presionando el recipiente de boca ancha contra la barra surtidora. Es posible que la selección de modalidad no cambie mientras el surtidor de hielo está funcionando.



Si se está surtiendo hielos continuamente, el motor del surtidor está diseñado para apagarse después de 3 a 5 minutos. El motor se reajusta después de 3 minutos y puede continuarse surtiendo.

Ocurre una leve demora cuando se cambia entre las modalidades de cubos y triturado. Los pedazos de hielo triturado pueden variar de tamaño y forma. Podría formarse "nieve" en la puerta y en el tiro de descarga del hielo cuando se surte repetidamente hielo triturado. Permita que la "nieve" se evapore o séquela con un paño.

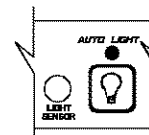
Sabor y olor

Ejecute los pasos siguientes para minimizar las dificultades con el sabor y el olor:

- Guarde los alimentos en recipientes herméticamente sellados o en bolsas a prueba de humedad.
- Comuníquese con la compañía de tratamiento de agua local para obtener ayuda especializada si los problemas persisten.
- Si el refrigerador tiene un filtro de agua, reemplace el cartucho del filtro de agua. Vea *Instalación y funcionamiento del sistema de filtrado de agua* para el procedimiento de reemplazo.

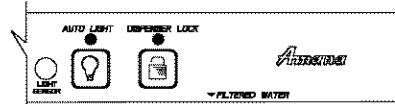
Foco del surtidor

Se activa una luz a toda potencia cuando se surte hielo o agua a toda la potencia. Un sensor de luz activa automáticamente la luz a media potencia cuando los niveles de luz en el área del refrigerador están bajos. Active o desactive el sensor oprimiendo el botón *AUTO LIGHT (LUZ AUTOMÁTICA)* ubicado en la cara del control. Una luz indicadora verde encima del botón indica que el sensor está activado.



Cierre del surtidor

Esta característica evita que funcionen el surtidor de agua y de hielo. Para activar o desactivar el cierre, oprima y mantenga oprimido el botón *DISPENSER LOCK (CIERRE DEL SURTIDOR)* durante 3 segundos. Una luz verde indicadora encima del botón indica que el surtidor está cerrado.



Candado automático

La característica del candado automático apaga los mecanismos de agua y hielo del surtidor cuando el mecanismo ha funcionado continuamente durante 5 minutos. Para volver la energía al surtidor, oprima y mantenga oprimido el botón *DISPENSER LOCK (CANDADO DEL SURTIDOR)* durante 3 segundos.

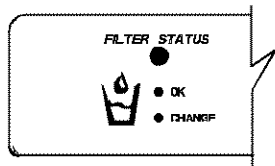
Luz del filtro

La luz indicadora del filtro sirve como recordatorio para reemplazar el filtro del agua. Una luz verde indica que el filtro está en buenas condiciones. Una luz roja indica que

el filtro debe cambiarse. Una vez que la luz cambia a roja, permanecerá roja hasta que se reajuste.

Para reajustar la luz indicadora, oprima ambos botones del *DISPENSER LOCK (CIERRE DEL SURTIDOR)* y *AUTO LIGHT (LUZ AUTOMÁTICA)* a la vez durante 4 segundos. La luz indicadora verde destellará tres veces cuando se haya reajustado correctamente.

IMPORTANTE: El estado del filtro debe reajustarse cuando se cambie el filtro.



Cuidado y limpieza

ADVERTENCIA

Desconecte la corriente eléctrica al refrigerador antes de limpiarlo para evitar descargas eléctricas que pueden causar lesiones personales graves o la muerte. Después de limpiarlo, vuelva a conectar la corriente.

PRECAUCIÓN

Lea y siga todas las instrucciones del fabricante de los productos de limpieza para evitar lesiones personales o daños materiales.

Generalidades

Vea la sección *Limpieza del acero inoxidable por las puertas del acero inoxidable*.

1. Lave las superficies con 4 cucharadas de bicarbonato de sodio disueltos en 1 litro de agua tibia, o con agua jabonosa tibia. Use un paño suave y limpio.
2. Enjuague las superficies con agua tibia. Seque las superficies con un trapo suave y limpio.
 - No utilice los siguientes productos:
 - limpiadores abrasivos o ásperos tales como amoníaco, cloro, etc.
 - detergentes o disolventes concentrados
 - estropajos metálicosEstos productos pueden rayar, rajar y descolorar las superficies.
 - No lave las repisas, recipientes, etc. en un lavaplatos automático.

Limpieza del acero inoxidable

Los daños al acabado del acero inoxidable debidos al uso incorrecto de los productos de limpieza, o al uso de productos de limpieza no recomendados, no están cubiertos por la garantía.

Para obtener la lista de los productos recomendados por Amana, llame a nuestra división de Asuntos del Cliente al **1 (800) 843-0304**.

1. Lave las superficies con agua jabonosa tibia y un paño o una esponja suave y limpia.
2. Enjuague las superficies con agua tibia. Seque las superficies con un paño suave y limpio.
 - No use los siguientes limpiadores abrasivos:
 - limpiadores abrasivos o ácidos (amoníaco, cloro, blanqueador, productos con base de vinagre, etc.)
 - limpiadores con base de cítricos
 - almohadillas de estropajo (metálicas, con textura de plástico, etc.)Estos artículos pueden rallar, decolorar o manchar permanentemente las superficies.
3. A continuación, enjuague inmediatamente y séquelo con un paño suave y limpio. Esto evitará que se manche con gotas de agua el acabado de acero inoxidable.

Eliminación de olores

1. Saque todos los alimentos y desconecte la fuente de energía al refrigerador.
2. Limpie todas las superficies interiores incluso el techo, el piso y las paredes de acuerdo con las instrucciones de limpieza de la sección "Limpieza general". Preste atención especial a las esquinas, hendiduras y ranuras. Incluya todos los accesorios, cajones, repisas y empaques.
3. Conecte la fuente de energía al refrigerador y vuelva a colocar los alimentos en el refrigerador. Lave y seque todas las botellas, los recipientes y los frascos. Guarde todos los alimentos en recipientes sellados herméticamente para evitar malos olores adicionales. Después de 24 horas revise si se ha eliminado el olor.

Ejecute los pasos siguientes si no se ha eliminado el olor:

4. Ejecute los pasos 1 y 2.
5. Coloque los cajones para verduras garden fresh en la repisa superior de la sección del refrigerador. Llene las secciones del refrigerador y del congelador, incluso las puertas, con hojas estrujadas de periódico.
6. Coloque pedazos de carbón en diferentes lugares del periódico.
7. Cierre las puertas y deje reposar de 24 a 48 horas.
8. Saque los pedazos de carbón y los periódicos.
9. Ejecute los pasos 2 y 3.

Si aún no se ha eliminado el olor, comuníquese con el Departamento de asuntos del consumidor. Consulte la sección Identificación del modelo para obtener el número telefónico.

Adhesivos

1. Elimine el residuo de goma frotando un poco de pasta dental sobre el adhesivo hasta aflojarlo.
2. Enjuague la superficie con agua tibia. Seque la superficie con un trapo limpio y suave.

Empaques de la puerta

1. Limpie los empaques de la puerta cada 3 meses de acuerdo con las instrucciones de la sección "Limpieza general".

2. Aplique una capa ligera de vaselina al lado de la bisagra del empaque del refrigerador para mantener los empaques flexibles.

Serpentín del condensador

Limpie el serpentín del condensador cada 3 meses para asegurar un funcionamiento óptimo del refrigerador. La acumulación de polvo y pelusa puede causar lo siguiente:

- menor rendimiento de enfriamiento
 - aumento del consumo de energía
 - falla prematura del compresor
1. Quite la parrilla inferior sosteniendo los extremos y jalándola hacia afuera.
 2. Limpie la superficie delantera del serpentín con la boquilla de la manguera de una aspiradora.
 3. Vuelva a colocar la parrilla inferior insertando y encajando las presillas en los agujeros del gabinete.

PRECAUCIÓN

Proteja los pisos suaves de vinilo o de otros tipos con cartones, mantas o algún otro material protector para evitar daños materiales.

4. Jale el refrigerador para alejarlo de la pared. Pase el cepillo de la aspiradora sobre la rejilla del ventilador del condensador que está en la parte posterior del refrigerador.

Repisas de vidrio

PRECAUCIÓN

Maneje cuidadosamente las repisas de vidrio templado para evitar lesiones personales o daños materiales. Las repisas se pueden romper súbitamente si tienen fracturas, rayaduras o se exponen a cambios repentinos de temperatura.

Saque la repisa levantándola de la parte delantera, liberando los ganchos de los rieles metálicos, luego jalando la repisa hacia delante. Colóquela sobre una toalla y permita que la repisa se adapte a la temperatura ambiental antes de limpiarla.

Limpie las hendiduras haciendo lo siguiente:

1. Diluya un detergente suave y aplíquelo en las hendiduras usando un cepillo con cerdas de plástico. Déjelo reposar durante cinco minutos.
2. Rocíe agua tibia en las hendiduras usando un aditamento para rociar agua desde el grifo.
3. Seque bien la repisa y vuelva a colocarla insertando los ganchos en los rieles metálicos y bajándola por la parte delantera.

Focos

ADVERTENCIA

Desconecte la fuente de energía al refrigerador antes de cambiar los focos para evitar descargas eléctricas que pueden causar lesiones graves o la muerte. Después de cambiar los focos, vuelva a conectar la corriente.

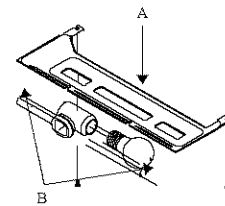
PRECAUCIÓN

Lleve a cabo lo siguiente para evitar lesiones personales o daños materiales.

- Permita que se enfríe el foco.
- Use guantes cuando reemplace el foco.

Sección superior del refrigerador

- Quite la tapa del foco extrayendo los tornillos hexagonales de $\frac{1}{4}$ de pulgada. **Reemplácelo con un foco para electrodomésticos de menos de 60 vatios.**
- Vuelva a colocar la cubierta del foco atornillando los tornillos hexagonales de $\frac{1}{4}$ de pulgada.

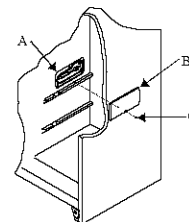


A. Cubierta del foco

B. Foco

Sección inferior del refrigerador (en algunos modelos)

- Quite la tapa del foco extrayendo los tornillos. Reemplace el foco con uno de electrodomésticos tubular de 40 vatios.
- Vuelva a colocar la cubierta del foco colocándola sobre el foco, inserte y apriete el tornillo.



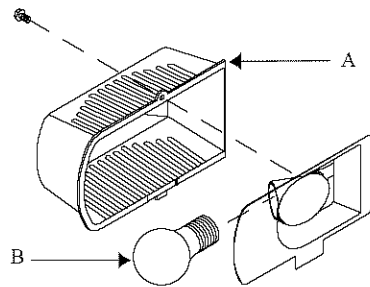
A. Foco
C. Tornillo

B. Cubierta del foco

Sección del congelador

1. Quite el compartimiento del hielo levantándolo y jalándolo hacia fuera.
2. Quite la cubierta del foco sacándole el tornillo. **Reemplácelo con un foco para electrodomésticos de menos de 60 vatios.**

3. Vuelva a colocar la cubierta del foco en su lugar sosteniendo la cubierta sobre el foco e insertando y apretando el tornillo.
4. Vuelva a colocar el compartimiento del hielo en su lugar deslizando hasta que el compartimiento encaje en su lugar.

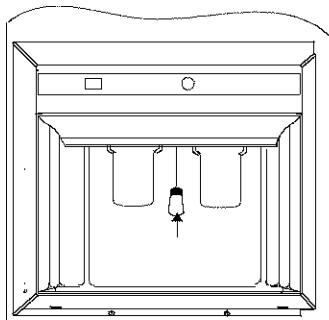


A. Cubierta del foco B. Foco

Surtidor de hielo y agua Ice 'N' Water™ (en algunos modelos)

El foco se encuentra ubicado entre los brazos del dispensador.

- Quite el foco desatornillándolo. Reemplace el foco con uno de 6 watts y 120 voltios.
- Vuelva a colocar el foco en su lugar insertándolo y apretándolo.



Sonidos normales de funcionamiento

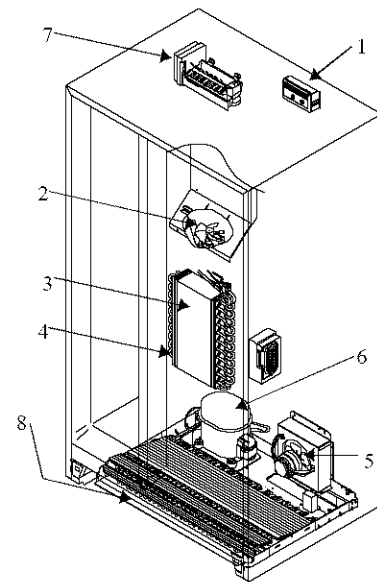
Es posible que este refrigerador nuevo esté reemplazando a uno de diferente diseño, menos eficiente o más pequeño. Los refrigeradores actuales tienen características nuevas y un mejor rendimiento de energía. Como resultado de esto, ciertos sonidos pueden parecer poco comunes. Estos sonidos son normales y pronto le serán familiares. Estos sonidos indican también que el refrigerador está funcionando y rindiendo según su diseño.

1. **Control del congelador** hace un clic al arrancar o detenerse el compresor.
2. **Ventilador del congelador** - el aire se acelera y zumba.
3. **Sistema sellado** (evaporador e intercambiador de calor). El flujo del refrigerante gorgojea, cruje o suena como agua hirviendo.

4. **Calentador de descarchado** hace chirridos, silba o cruje.
5. **Ventilador del condensador** - el aire se acelera y zumba.
6. **Compresor** tiene un sonido de alta frecuencia de tarareo o pulsante, y se enciende y apaga en ciclos.
7. **Cubos de hielo** de la máquina para hacer hielo (en algunos modelos) caen al recipiente.
8. **Cronómetro de descongelación** suena como un reloj eléctrico y entra y sale del ciclo de descongelación.

Conexión de la válvula de agua de la máquina para hacer hielo (en algunos modelos). Zumba cuando la máquina para hacer hielo se llena con agua. Esto ocurre independientemente de que el refrigerador esté o no esté conectado al suministro de agua. Si no está conectado, elimine el ruido colocando el brazo de la máquina para hacer hielo en la posición desactivada (off). La conexión de la válvula de agua está ubicada detrás en la parte inferior de la esquina izquierda. (No se muestra.)

El aislante de espuma tiene muy buen rendimiento de energía y excelente capacidad aislante. Sin embargo, no absorbe el ruido tanto como el aislamiento de fibra de vidrio que se usaba anteriormente. (No se muestra.)



Ubicación del sonido

Antes de llamar para solicitar servicio

El refrigerador no funciona.

- Verifique que el control del congelador esté en la posición on (encendida).
- Verifique que el refrigerador esté enchufado.
- Revise el fusible o el cortacircuitos. Enchufe otro aparato en el tomacorriente de la pared.
- Espere 40 minutos para ver si el refrigerador comienza a funcionar. Si el control del congelador está encendido y las luces funcionan pero los dos ventiladores y el compresor no están funcionando, el refrigerador podría estar en el ciclo de descarchado.

El refrigerador aún no funciona.

- Desenchufe el refrigerador. Cambie los alimentos a otro refrigerador o coloque hielo seco en la sección del congelador para conservar los alimentos. **La garantía no cubre pérdida de alimentos.** Revise el certificado de garantía para la cobertura específica.
- Llame al **1-800-628-5782** dentro de los EE.UU., y al **1-319-622-5511** fuera de los EE.UU., para localizar un técnico Amana autorizado.

La temperatura de los alimentos está muy tibia.

- Vea las secciones anteriores.
- Deje pasar algo de tiempo para que los alimentos tibios recién guardados alcancen la temperatura del refrigerador o del congelador.
- Revise que los empaques estén sellando de forma correcta.
- Limpie los serpentines del condensador.
- Ajuste el control del refrigerador y/o el del congelador.
- Asegúrese que la parrilla de aire posterior no esté obstruida. Esta se encuentra ubicada detrás del cajón izquierdo para verduras garden fresh.

La temperatura del sistema Chiller Fresh™ está muy tibia.

- Gire el control a un ajuste más frío.
- Ajuste el control del congelador a una posición de ajuste más fría.

La temperatura de los alimentos está muy fría.

- Limpie los serpentines del condensador.
- Ajuste el control del refrigerador.
- Ajuste el control del congelador a una posición de ajuste más tibia. Deje que pasen varias horas para que la temperatura se ajuste.
- Uno de los tres orificios de la entrada de aire al enfriador de bebidas chiller no está alineado con la hendidura del lado derecho del dique de la puerta.

El refrigerador funciona con mucha frecuencia.

- Puede ser normal para mantener una temperatura constante.
- Puede ser que las puertas se hayan abierto frecuentemente o por mucho tiempo.
- Deje que pase algo de tiempo para que los alimentos tibios recién guardados alcancen la temperatura del refrigerador o del congelador.
- Limpie los serpentines del condensador.
- Ajuste el control del congelador.
- Revise los empaques para ver que sellen de modo apropiado.

Se forman gotitas de agua en el interior del refrigerador.

- Es normal durante periodos de humedad alta o si las puertas se han abierto frecuentemente.
- Revise los empaques de las puertas para ver que sellen de modo apropiado.

Se forman gotitas de agua en el exterior del refrigerador.

- Revise los empaques de las puertas para ver que sellen de modo apropiado.
- Es normal durante periodos de humedad alta.
- Consulte la sección *Ajuste de los controles* para verificar que los controles estén correctamente ajustados.

Los cajones para verduras Garden Fresh™ o el sistema de enfriamiento Chiller Fresh™ no se cierran libremente.

- Revise si hay algún paquete impidiendo que el cajón cierre apropiadamente.
- Verifique que el cajón esté en la posición correcta.
- Limpie los canales del cajón con agua tibia y jabonosa. Enjuáguelo y séquelo completamente.
- Aplique una capa fina de vaselina en los canales del cajón.
- Verifique que el refrigerador esté nivelado.

El refrigerador tiene mal olor.

- Vea las instrucciones en "Eliminación de olores" en la sección "Cuidado y mantenimiento".

El refrigerador o el surtidor de hielo hace ruidos extraños o que parecen muy fuertes.

- Puede ser normal. Vea la sección "Sonidos normales de funcionamiento".

Focos en surtidor no funciona.

- Verifique que la puerta del congelador esté cerrada. La energía del control se apaga cuando se abre la puerta del congelador.

Surtidor es no funciona.

- Verifique que la puerta del congelador esté cerrada.
- El control puede estar en la modalidad cerrada. Oprima y mantenga oprimido el botón *DISPENSER LOCK (CIERRE DEL SURTIDOR)* durante 3 segundos.

El sensor indicador del filtro es roja.

- Es necesario cambiar el filtro del agua. Si el filtro no está disponible, reemplácelo con el derivador del filtro. Después de reemplazar el filtro oprima y mantenga oprimido ambos botones, el *DISPENSER LOCK (CIERRE DEL SURTIDOR)* y *AUTO LIGHT (LUZ AUTOMÁTICA)* a la vez durante 4 segundos. Suéltelo una vez que la luz verde empiece a destellar.
- El sensor indicador del filtro necesita reajustarse. Oprima y mantenga oprimido tanto el botón *DISPENSER LOCK (CIERRE DEL SURTIDOR)* como el de *AUTO LIGHT (LUZ AUTOMÁTICA)* a la vez durante 4 segundos. Suéltelos una vez que la luz verde empiece a destellar.

La máquina de hielo automática no hace hielo.

- Verifique que el brazo de la máquina esté bajado.
- Verifique que el suministro de agua de la casa esté llegando a la válvula de agua.
- Verifique que el cableado preformado de la máquina de hielo esté completamente insertado en los orificios apropiados.
- Revise si hay dobleces en las tuberías de cobre o de plástico. Quite los dobleces o reemplace la tubería.
- Revise las conexiones eléctricas a la caja de conectores y serpentín de la válvula del agua en el gabinete del refrigerador.
- Verifique que la sección del congelador esté funcionando a la temperatura apropiada.

La máquina de hielo no está produciendo suficiente hielo o los hielos están deformes

- La máquina de hielo se acaba de instalar recientemente o se acaba de usar una gran cantidad de hielo. Espere 24 horas para que comience la producción de hielo y para que la máquina de hielo se vuelva a llenar después de haberla vaciado.
- Verifique que el agua doméstica esté llegando a la válvula del agua. Asegúrese que la válvula de cierre del agua esté completamente abierta.
- Se usó una válvula de sillín o de perforación de $\frac{3}{16}$ " para instalar la conexión. **Ambas reducen el flujo del agua y podrían taparse con el tiempo. Cambie este tipo de válvulas por el tipo correcto o por válvulas de sillín que requieren que se les haga un orificio de $\frac{1}{4}$ " con taladro antes de sujetar la válvula.**
- Revise si hay dobleces en la tubería de cobre o de plástico. Elimine todos los dobleces o cambie la tubería.
- Verifique que la sección del congelador esté funcionando a la temperatura correcta. El congelador debe estar suficientemente frío para producir el hielo. Vea la sección "Ajuste de los controles".

Los hielos tienen mal olor.

- Vea las instrucciones "Eliminación de olores" en la sección "Cuidado y mantenimiento".
- Deseche los hielos y limpie el depósito o las bandejas de hielo más frecuentemente. Los hielos son porosos y absorben olores fácilmente.

Los cubos de hielo se pegan o se "encogen".

- Vacíe el depósito o las bandejas de hielo más frecuentemente. Si no se usan seguidos, los cubos de hielo se pueden pegar o encoger.

Se forma hielo en el tubo de entrada a la máquina de hielo.

- Revise la presión del agua. La presión de agua baja causará que la válvula gotee. Las válvulas auto-perforantes causan presión baja de agua. **Amana recomienda usar tuberías de cobre para conectar la tubería de la casa al refrigerador. No use una válvula autoperforante. Amana no es responsable por daños materiales causados por la instalación de la conexión de agua mal hecha.**

El flujo del agua es más lento de lo normal.

- Revise la presión del agua. La presión baja de agua causará que la válvula gotee. Las válvulas de penetración causan la presión baja del agua. Amana recomienda usar tubería de cobre para conectar la tubería doméstica al refrigerador. No utilice válvulas de penetración. **Amana no es responsable por los daños materiales debidos a la instalación o la conexión de agua incorrectas.**

- Manténgalo funcionando a temperaturas normales entre 55° y 110°F (13° y 43°C) alejado de las fuentes de calor y de la luz directa del sol.
- Fije los controles del refrigerador, congelador y del sistema Chiller Fresh™ a una temperatura que no sea más fría de la necesaria.
- Mantenga llena la sección del congelador.
- Mantenga los empaques de la puerta limpios y flexibles. Cambie los empaques si están gastados.
- Mantenga limpios los serpentines del congelador.

Sugerencias para cuando sale de vacaciones

Siga los pasos a continuación cuando tome unas vacaciones breves.

1. Saque los alimentos que se puedan echar a perder.
La garantía no cubre pérdida de alimentos. Revise el certificado de garantía para ver las coberturas específicas.
2. Si tiene instalada una máquina para hacer hielo, ponga el brazo de la máquina en la posición desactivada (*off*).

Siga los pasos a continuación cuando tome vacaciones largas.

1. Vacíe las secciones del refrigerador y del congelador.
2. Desenchufe el refrigerador.
3. Limpie el refrigerador y los empaques de las puertas de acuerdo con las instrucciones de "Limpieza general" en la sección "Cuidado y limpieza".
4. Deje las puertas abiertas para que pueda circular el aire en el interior.
5. Si tiene instalada una máquina para hacer hielo, cierre el suministro del agua al refrigerador y ponga el brazo de la máquina en la posición desactivada (*off*).

Sugerencias para conservar energía

Este refrigerador ha sido diseñado para ser uno de los refrigeradores de mayor rendimiento de energía disponibles. Reduzca el consumo de energía llevando a cabo lo siguiente.

Garantía Consulte el número de modelo o la placa de serie para verificar la garantía del modelo

La garantía corresponde a los números de modelo que tengan ARS o DRS como los primeros tres caracteres del número de modelo, y que contengan los números 7, 8 ó 9 en la séptima posición (por ejemplo, **ARSxxx7xx**).

Garantía completa de un año Garantía completa de cinco años en los componentes del sistema sellado y en el revestimiento del compartimiento de los alimentos

Garantía limitada de diez años en los componentes del sistema sellado

Primer año

Amana reparará o reemplazará sin cargo alguno, las piezas que estén defectuosas debido a la mano de obra o a los materiales.

Del segundo al quinto año

Amana reemplazará, sin cargo alguno, cualquier componente del sistema sellado (compresor, condensador, evaporador y la tubería de interconexión) y reparará cualquier revestimiento del compartimiento de los alimentos (excluyendo el revestimiento de la puerta) que esté defectuoso debido a la mano de obra o a los materiales.

De sexto al décimo año

Amana reemplazará cualquier componente del sistema sellado (compresor, condensador, evaporador y la tubería de interconexión), Amana, Iowa, que esté defectuoso debido a la mano de obra o a los materiales.

Limitaciones de la garantía

- Comienza a partir de la fecha de la compra original.
- Excluye el cartucho original y el de reemplazo del filtro de agua y hielo. El cartucho original y el de reemplazo están garantizados por 30 días (piezas solamente).
- El servicio debe realizarlo un técnico Amana® autorizado.
- Los daños causados durante el transporte no están cubiertos bajo esta garantía.

La garantía se anulará si:

- La placa del número de serie está borrosa o ilegible.
- Se le ha dado uso comercial al producto, se ha rentado o alquilado.
- El producto tiene algún defecto o daño debido a un accidente, alteración, conexión eléctrica incorrecta, incendio, inundación, relámpagos, envío o manejo del producto, y otras condiciones fuera del control de Amana.
- El producto ha sido instalado o usado incorrectamente.

Responsabilidad del propietario

- Proporcionar evidencia de compra (recibo).
- Proporcionar cuidado y mantenimiento normales. Reemplazar los artículos reemplazables por el propietario de acuerdo con las instrucciones que aparecen en el Manual del propietario.

- Permitir que el producto sea razonablemente accesible por el personal de servicio.
- Pagar una compensación de los gastos de servicio por los servicios prestados por el técnico fuera de su horario habitual de trabajo.
- Pagar por las llamadas de servicio relacionadas con la instalación y uso del producto.

En ningún caso Amana se hará responsable de daños incidentales o emergentes, incluso la pérdida de alimentos*

* Esta garantía otorga derechos legales específicos y puede ser que existan otros derechos que difieren de un estado a otro. Por ejemplo, algunos estados no permiten la exclusión o limitación de los daños incidentales o emergentes, por lo tanto, es posible que esta exclusión no le afecte a usted.

Amana Appliance L.C.
2800 220th Trail
Amana, IA 52204-0001
1-800-843-0304 o 1-319-622-5511

La garantía corresponde a los números de modelo que tengan ARS o DRS como los primeros tres caracteres del número de modelo, y que contengan los números 0, 1, 2, 3, 4, 5 ó 6 en la séptima posición (por ejemplo, **ARSxxx3xx**).

Garantía completa de un año Garantía completa de cinco años en los componentes del sistema sellado y en el revestimiento del compartimiento de los alimentos

Primer año

Amana reparará o reemplazará, sin cargo alguno, cualquier pieza que esté defectuosa debido a la mano de obra o los materiales.

Del segundo al quinto año

Amana reemplazará, sin cargo alguno, cualquier componente sellado (compresor, condensador, evaporador, secador y tuberías de interconexión) y reparará cualquier recubrimiento del compartimiento de alimentos (sin incluir el recubrimiento de la puerta) los cuales estén defectuosos debido a la mano de obra o los materiales.

Limitaciones de la garantía

- Comienza a partir de la fecha de la compra original.
- Excluye el cartucho original y el de reemplazo del filtro de agua y hielo. El cartucho original y el de reemplazo están garantizados por 30 días (piezas solamente).
- El servicio debe realizarlo un técnico autorizado de Amana.

La garantía se anulará si:

- La placa del número de serie está borrosa o ilegible.
- Se le ha dado uso comercial al producto, se ha rentado o alquilado.
- El producto tiene algún defecto o daño debido a un accidente, alteración, conexión eléctrica incorrecta, incendio, inundación, relámpagos, envío o manejo del producto, u otras condiciones fuera del control de Amana.
- El producto ha sido instalado o usado incorrectamente.

Responsabilidades del propietario

- Proporcionar evidencia de compra (recibo).
- Proporcionar cuidado y mantenimiento normales. Reemplazar los artículos reemplazables por el propietario de acuerdo con las instrucciones que aparecen en el Manual del propietario.

- Permitir que el producto sea razonablemente accesible por el personal de servicio.
- Pagar una compensación de los gastos de servicio por los servicios prestados por el técnico fuera de su horario habitual de trabajo.
- Pagar por las llamadas para solicitar servicio relacionado con la instalación o uso del producto.

En ningún caso Amana se hará responsable de daños incidentales o emergentes, incluyendo la pérdida de alimentos*

* Esta garantía otorga derechos legales específicos y puede ser que existan otros derechos que difieren de un estado a otro. Por ejemplo, algunos estados no permiten la exclusión o limitación de los daños incidentales o emergentes, por lo tanto, es posible que esta exclusión no le afecte a usted.

Amana Appliance L.C.
2800 220th Trail
Amana, IA 52204-0001
1-800-843-0304 or 1-319-622-5511

Table des matières

Normes électriques	39
Identification du modèle	39
Service après-vente	39
Programme d'entretien prolongé Asure™	39
Pièces et accessoires	40
Mise au rebut du réfrigérateur	40
Instructions d'installation	40
Commandes	42
Liste de contrôle d'installation	43
Caractéristiques du réfrigérateur	44
Clayettes du réfrigérateur	44
Système Chiller Fresh™ (certains modèles)	44
Tiroir Deli Drawer™ (certains modèles)	44
Range-bouteilles (certains modèles)	44
Bacs à légumes à humidité contrôlée Garden Fresh™ (certains modèles)	45
Rayon de rangement (certains modèles)	45
Compartiment de rangement couvert (certains modèles)	45
Casier laitier (certains modèles)	45
Refrigerateur de casse-croûte (certains modèles)	46
Refrigerateur de boissons à température contrôlée Beverage Chiller™ (certains modèles)	46
Compartiments de porte et clayettes	47
Séparateur réglable (certains modèles)	47
Conteneur de grands emballages (certains modèles)	47
Caractéristiques du congélateur	48
Appareil à glaçons automatique (certains modèles)	48
Système Stor-Mor®	48
Bac inclinable (certains modèles)	48
Retrait du bac à glace	48
Distributeur à curseur Ice 'N' Water™ (certains modèles)	49
Distributeur à commande électronique Ice 'N' Water™ (certains modèles)	50
Entretien et nettoyage	51
Général	51
Suppression des odeurs	52
Adhésifs	52
Joint de porte	52
Bobine de condensateur	52
Clayettes en verre	52
Ampoules électriques	52
Bruits de fonctionnement normaux	53
Avant d'appeler le technicien	54
Conseils pour économiser l'énergie	55
Conseils pour les vacances	55
Garantie	56

 Ce symbole indique une mesure de sécurité

Normes électriques



MISE EN GARDE

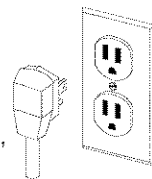
Ne jamais couper ou enlever la broche ronde de mise à la terre de la fiche. Le réfrigérateur doit être mis à la terre en tout temps. Ne jamais enlever l'étiquette d'avertissement du cordon d'alimentation.

Ne jamais utiliser d'adaptateur à deux broches. Ne jamais utiliser de rallonge.

Instructions de mise à la terre - Ce réfrigérateur est muni d'une fiche à 3 broches pour prévenir le risque d'électrocution. Si une prise de courant à deux broches est présente, contacter un électricien

qualifié et la faire remplacer par une prise de courant à trois broches correctement mise à la terre, conformément aux normes du Code national de l'électricité.

Le réfrigérateur est conçu pour fonctionner sur une ligne séparée de 60 Hz, 15 ampères, de 103 à 126 volts.



Identification du modèle

Merci d'avoir fait l'achat d'un réfrigérateur Amana®. Veuillez lire attentivement le manuel du propriétaire. Ce manuel renferme des renseignements sur l'entretien de l'appareil. Pour toute question, appeler le service à la clientèle au **1-800-843-0304** aux États-Unis et le **1-319-622-5511** à l'extérieur des États-Unis. Il est également possible de communiquer avec nous par l'entremise de notre site Web à l'adresse www.amana.com.

Remplir la carte d'enregistrement et la renvoyer promptement. Si aucune carte d'enregistrement n'est fournie, appeler le service à la clientèle. **Veillez conserver une copie de la facture** pour référence future.

Lorsque vous communiquez avec Amana, veuillez fournir les renseignements concernant l'appareil. Les renseignements sur l'appareil se trouvent sur la plaque signalétique située au plafond du compartiment Fresh Food. Veuillez noter les renseignements suivants :

Numéro de modèle : _____

Numéro de fabrication : _____

Numéro de série : _____

Date d'achat : _____

Nom et adresse du marchand : _____

Service après-vente

Veillez conserver une copie de la facture pour référence future ou pour obtenir des prestations de garantie. Appeler le 1-800-NAT-LSVC (1-800-628-5782) aux États-Unis ou le 1-319-622-5511 à l'extérieur des États-Unis pour connaître le centre de service agréé ou technicien indépendant agréé par Amana le plus près de chez vous. Il est également possible de communiquer avec nous par l'entremise de notre site Web à l'adresse www.amana.com. Les réparations sous garantie doivent être effectuées par un technicien agréé par Amana. Amana recommande également de contacter un technicien agréé par elle-même si l'appareil nécessite une réparation suite à l'expiration de la garantie.

Programme d'entretien prolongé

Asure™

Amana est heureuse de vous offrir un programme d'entretien prolongé pour ce nouveau réfrigérateur. Ce programme Asure™ est spécialement conçu pour compléter l'excellente garantie d'Amana. Asure™ comprend les pièces, la main-d'œuvre et les frais de déplacement. Pour de plus amples renseignements, appeler le 1-800-528-2682. Appeler le 1-800-528-2682 ou visiter notre site Web à l'adresse www.amana.com.

Pièces et accessoires

Les pièces de rechange et autres accessoires (ex., clayettes de réfrigérateur) peuvent être achetés par téléphone. Pour commander des accessoires pour un produit Amana, appeler le 1-800-843-0304 aux États-Unis ou le 1-319-622-5511 à l'extérieur des États-Unis.



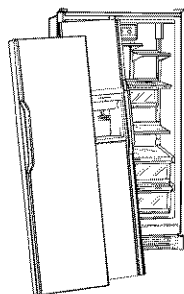
DANGER

Mise au rebut du réfrigérateur

IMPORTANT: Les enfants qui se trouvent enfermés dans un réfrigérateur et y meurent d'asphyxie ne sont pas un problème du passé. Les réfrigérateurs mis au rebut ou abandonnés sont encore dangereux, même s'ils ne sont là que « pour quelques jours ». Lors de la mise au rebut d'un réfrigérateur, veiller à suivre les indications ci-dessous pour éviter les accidents.

AVANT DE JETER VOTRE VIEUX RÉFRIGÉRATEUR OU CONGÉLATEUR :

- Enlever les portes.
- Laisser les étagères en place de façon à ce que les enfants aient des difficultés à se glisser à l'intérieur.



Instructions d'installation

Une installation adéquate assurera le fonctionnement efficace de ce réfrigérateur. Amana ne peut être tenue responsable en cas d'installation inadéquate.

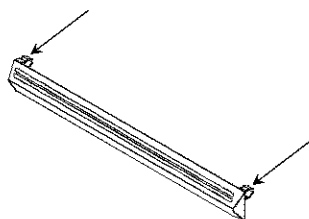
1. Enlever les portes si nécessaire.



MISE EN GARDE

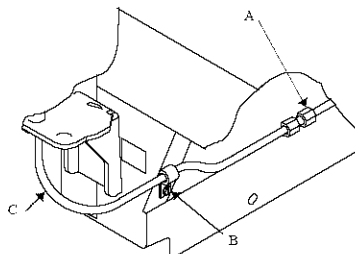
Pour éviter tout risque d'électrocution pouvant causer des blessures graves, voire mortelles, toujours débrancher le réfrigérateur avant d'enlever les portes. Après avoir replacé les portes, brancher l'appareil.

- a. Retirer la grille en la tirant vers soi. La grille se désenclenche facilement.



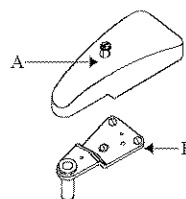
- b. **Modèles avec distributeur**
Desserrer la vis de serrage du tuyau d'eau. Desserrer l'écrou de raccord du tuyau d'eau en plastique. Tirer le

tuyau d'eau hors de l'écrou de raccord et à travers la bride de fixation du tuyau.



- A. Écrou de serrage du tuyau d'eau
B. Vis de raccord du tuyau d'eau en plastique
C. Tuyau d'eau

- c. Retirer le couvre-charnière supérieur (A).



- A. Couvre-charnière supérieur

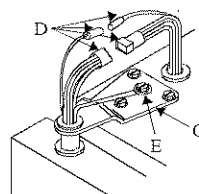
- B. Charnière supérieure



MISE EN GARDE

Pour éviter tout risque d'électrocution pouvant causer des blessures graves, voire mortelles, le fil de mise à la terre vert doit rester fixé à la charnière.

- d. **Modèles avec distributeur seulement**
Débrancher les raccords de fils de la charnière supérieure (D). Enlever les vis à tête hexagonale de $\frac{5}{16}$ po. **Ne pas enlever le fil ou la vis de terre (E) de couleur verte de la charnière (C).** Retirer doucement la charnière supérieure (C) des raccords de harnais (D).

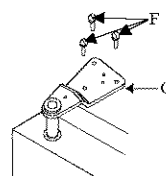


- C. Charnière supérieure

- D. Raccords de fils de charnière

- E. Fil et vis de terre de couleur verte

- d. **Modèles sans distributeur**
Soulever doucement et retirer la charnière supérieure (G) en enlevant les vis à tête hexagonale de $\frac{5}{16}$ po (F). Ne pas déplacer les cales de la charnière.



- F. Vis à tête hexagonale de $\frac{5}{16}$ po

- G. Charnière supérieure

- e. Enlever les portes.



ATTENTION

Pour éviter tous dégâts matériels, recouvrir les tuiles de vinyle ou autre type de plancher avec du carton, des tapis ou autre matériel de protection avant de déplacer le réfrigérateur.

- f. Remplacer les portes en procédant à l'inverse des étapes a-e. Utiliser une pièce d'un sou sur le dessus des portes pour créer un espace de $\frac{3}{4}$ po (18 mm) entre la porte et l'appareil.

2. Installation de la cartouche de filtration d'eau (certains modèles)

- a. Retirer la cartouche de dérivation de la tête du filtre à eau situé dans le coin arrière droit du réfrigérateur. Tourner la cartouche d'un quart de tour dans le sens antihoraire en la tirant vers le bas pour l'enlever. Conserver la cartouche de dérivation pour l'utiliser dans l'éventualité où la cartouche de recharge du filtre à eau ne serait pas disponible immédiatement.
- b. Lire la brochure *Mode d'emploi et consignes d'installation du système de filtration de l'eau* qui accompagne la cartouche du filtre à eau avant d'installer et d'utiliser le filtre.

La quantité et la qualité de l'eau déterminent la durée de vie de la cartouche du filtre à eau. Dans une résidence où la consommation d'eau est moyenne, la cartouche dure environ six mois. Si la consommation d'eau est élevée ou si l'eau est de piètre qualité, il faudra la changer avant. Pour de plus amples renseignements, lire la brochure *Mode d'emploi et consignes d'installation du système de filtration de l'eau* qui accompagne la cartouche du filtre à eau.

3. Raccordement de l'alimentation en eau



MISE EN GARDE

Pour éviter tout risque d'électrocution pouvant causer des blessures graves, voire mortelles, débrancher l'alimentation en électricité du réfrigérateur avant de raccorder l'alimentation en eau. Après avoir raccordé l'alimentation en eau, brancher le réfrigérateur.



ATTENTION

Pour éviter tous dommages matériels, observer les recommandations suivantes :

- Vérifier que la pression d'eau est située entre 20 et 100 lb par pouce carré.
- Si un filtre à eau doit être installé, la pression d'eau doit être au minimum de 35 lb par pouce carré.
- Commencer à visser les écrous de la conduite à la main en veillant à ne pas fausser le filetage. Finir de les visser à l'aide d'une clé à molette et de pinces. Ne pas trop serrer.
- Vérifier qu'il n'y a pas de fuites avant de remettre le réfrigérateur à son emplacement normal. Bien s'assurer qu'il n'y a pas de fuites 24 heures après le raccordement.

Important

- Avant de brancher l'alimentation en eau, contacter un plombier pour raccorder la conduite en cuivre sur

l'arrivée d'eau de la maison conformément aux codes et règlements locaux.

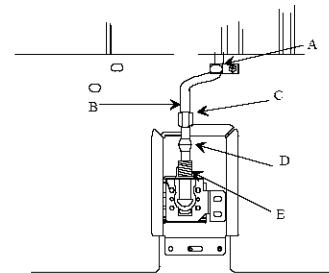
- Ne pas utiliser de soupape autotaraudeuse de $\frac{3}{16}$ po. Elle réduit le débit d'eau, se bouche et peut causer des fuites si l'on cherche à la réparer. Une soupape d'arrêt adéquate exige le perçage d'un trou de $\frac{1}{4}$ po (6 mm) dans un tuyau d'alimentation en eau avant de fixer la soupape. Le fabricant n'est pas responsable des dommages matériels causés par un raccord d'eau incorrect.

Matériel nécessaire

Conduite en cuivre flexible de $\frac{1}{4}$ po (6 mm). La longueur de la conduite doit être suffisante pour couvrir la distance entre le réfrigérateur et le point de raccordement à l'alimentation en eau, additionnée de 8 pi (2 m) pour former, à l'arrière du réfrigérateur, une boucle permettant le déplacement de celui-ci.

Procédure

- a. Retirer le capuchon en plastique du port de soupape d'entrée d'eau. Placer l'écrou en laiton et le manchon en laiton dans la conduite en cuivre. Raccorder la conduite en cuivre au port de soupape d'entrée d'eau. Raccorder l'écrou en laiton se trouvant sur la conduite en cuivre au port de soupape d'entrée d'eau. S'assurer que la conduite en cuivre est bien en place en tirant dessus.



- A. Bride de serrage en P
B. Conduite en cuivre
C. Écrou en laiton
D. Manchon en laiton
E. Raccord de soupape d'entrée d'eau

- b. Ouvrir l'arrivée d'eau du réfrigérateur et vérifier qu'il n'y a pas de fuite. Réparer toute fuite éventuelle.
- c. Former des boucles dans la conduite en prenant soin de ne pas créer des coques pour faciliter l'accès au réfrigérateur par la suite. **Fixer la conduite en cuivre au réfrigérateur à l'aide de la bride en P.**

4. Brancher le cordon d'alimentation.

5. Déplacer le réfrigérateur à l'endroit désiré.



ATTENTION

Pour éviter tous dégâts matériels, recouvrir les tuiles de vinyle ou autre type de plancher avec du carton, des tapis ou autre matériel de protection avant de déplacer le réfrigérateur.

- a. Glisser le chariot servant à transporter l'appareil sous le côté du réfrigérateur. Recouvrir le réfrigérateur avec un coussin ou une couverture. Enfiler la courroie du

châssis autour du réfrigérateur et serrer. Ne pas trop serrer la courroie. Déplacer le réfrigérateur devant l'endroit désiré.



ATTENTION

Pour éviter tout risque de dégâts matériels ou de dommages à l'appareil, ne pas utiliser d'outils électriques pour effectuer la mise de niveau. Utiliser des outils à main seulement.

6. Stabilisation du réfrigérateur et alignement des portes

Si le réfrigérateur oscille ou n'est pas stable, procéder comme suit:

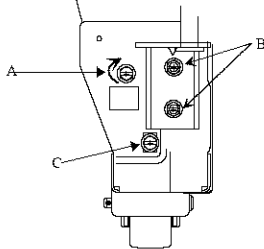
- Déterminer quel coin arrière oscille.
- Retirer la grille pour accéder aux vis d'ajustement de la roulette.



ATTENTION

Pour éviter tout risque de dégâts matériels ou de dommages à l'appareil, ne pas utiliser d'outils électriques pour effectuer la mise de niveau. Utiliser des outils à main seulement.

- Tourner la vis d'ajustement de la roulette dans le sens horaire pour soulever le coin oscillant.

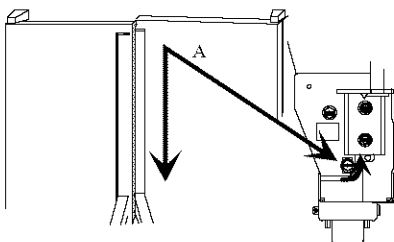


- A. Vis d'ajustement de la roulette arrière
- B. Vis de la charnière de porte
- C. Vis d'ajustement de la roulette avant

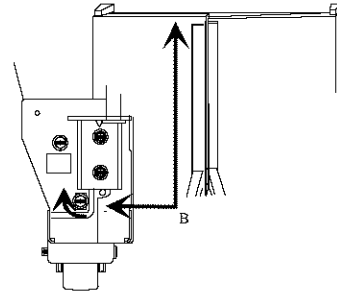
- Vérifier l'alignement du dessus des portes. Si les portes sont de niveau, replacer la grille.

Si le dessus des portes n'est pas de niveau, procéder comme suit :

- Retirer la grille.
- Déterminer la porte qui doit être abaissée.
- Pour abaisser le coin de la porte, tourner la vis de réglage de la roulette avant dans le sens antihoraire.
- Tourner la vis de réglage de la roulette jusqu'à ce que les portes soient de niveau.



- A. Tourner la vis de réglage de la roulette pour abaisser la porte.



- B. Tourner la vis de réglage de la roulette pour soulever la porte.

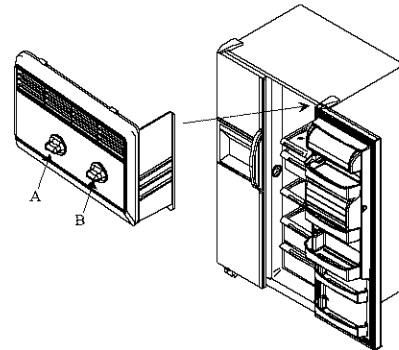
7. Vérifier avec le client la « Liste de contrôle d'installation » dans le manuel du propriétaire.

Commandes

Ce réfrigérateur fonctionne de façon plus efficace lorsque la température ambiante se situe entre 55 et 110 °F (13 à 43 °C).

Commandes du réfrigérateur et du congélateur (modèles non-électroniques)

Les commandes du réfrigérateur et du congélateur se trouvent sur la paroi arrière supérieure du réfrigérateur.



- A. Commande du congélateur
- B. Commande du réfrigérateur

Lorsque la commande du congélateur est à *off* (arrêt), ni l'un ni l'autre des compartiments réfrigérateur ou congélateur ne se refroidiront.

Setting Controls

Au départ, régler ces deux commandes sur 4, 1 étant le réglage le plus chaud et 7, le plus froid.

Régler les commandes avec précision à l'aide d'un thermomètre domestique doté d'une plage de températures de -5 à 50 °F (de -21 à 10 °C).

Placer le thermomètre entre les emballages congelés dans le congélateur. Attendre de 5 à 8 heures. Si la température du congélateur ne se situe pas entre 0 et 2 °F (-17 et -16 °C), régler la commande un chiffre à la fois. Vérifier de nouveau après 5 à 8 heures.

Placer le thermomètre dans un verre d'eau au milieu du réfrigérateur. Attendre de 5 à 8 heures. Si la température du réfrigérateur ne se situe pas entre 38 et 40 °F (3 et 4 °C), régler la commande un chiffre à la fois. Vérifier de nouveau après 5 à 8 heures.

Liste de contrôle d'installation

Cette liste de contrôle d'installation est présentée pour usage personnel seulement.

Propriétaire Installateur

Portes

Les portes sont alignées les unes sur les autres. (Après avoir placé de la nourriture dans le réfrigérateur, le propriétaire devrait vérifier l'alignement des portes.)

Les portes sont bien scellées au meuble du réfrigérateur.

Les poignées sont solidement fixées aux portes.

Modèles avec distributeur Ice 'N'Water™ et modèles électroniques Touchmatic™

Si l'installation du réfrigérateur nécessite l'enlèvement des portes, les serre-fils des charnières supérieures sont branchés de nouveau.

Mise à niveau

Le réfrigérateur est stable.

La grille est bien fixée au réfrigérateur.

Appareil à glaçons

L'alimentation en eau du réfrigérateur fonctionne.

Aucune fuite n'est présente dans le raccord entre l'alimentation en eau de la maison et le réfrigérateur. (Après 24 heures, le propriétaire doit vérifier qu'il n'y a pas de fuite dans le raccord.)

Le bras de l'appareil à glaçons est en position « on » (marche). Celui-ci est donc prêt à fabriquer des glaçons. (La fabrication du premier lot de glace peut prendre jusqu'à 24 heures.)

Documentation concernant le produit

Le manuel du propriétaire doit comprendre les renseignements suivants :

- carte d'enregistrement de l'appareil
- Installation et remplacement du filtre à eau (voir le nécessaire de filtration de l'eau)
- commandes réfrigérateur et congélateur
- système Chiller Fresh™
- bacs à légumes Garden Fresh™
- bruits de fonctionnement normaux

Filtre à eau (certains modèles)

- La cartouche à déviation est retirée et le filtre à eau est installé
- Les fuites d'eau ne sont pas présentes autour de la tête du filtre

Notes _____

Signature
du propriétaire

Signature
de l'installateur

Nom de l'entreprise de l'installateur/
Numéro de téléphone

Date

Caractéristiques du réfrigérateur



ATTENTION

Pour éviter tous dégâts matériels, s'assurer que la clayette est bien installée avant de placer des articles sur celle-ci.

Clayettes du réfrigérateur

Tous les modèles sont équipés de clayettes Spillsaver™ conçues pour retenir les liquides renversés afin de faciliter le nettoyage. Ces clayettes s'ajustent vers le haut ou le bas pour satisfaire aux divers besoins de rangement.

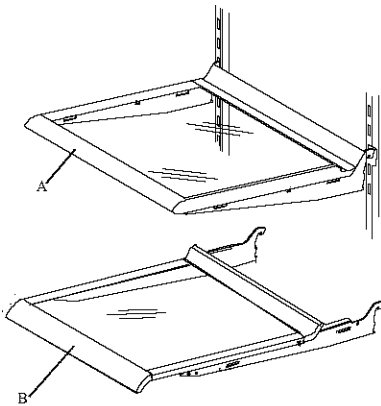


ATTENTION

Pour éviter tous dégâts matériels ou toutes blessures, manipuler les clayettes en verre trempé avec soin. Les clayettes peuvent se casser soudainement si elles sont entaillées, égratignées ou exposées à un changement soudain de température.

- Enlever les clayettes en soulevant le devant et en relâchant les crochets de la crémaillère métallique, puis en tirant.
- Replacer les clayettes en insérant les crochets dans la crémaillère métallique et en rabaisant le devant.

Les clayettes EasyGlide™ se tirent vers l'avant pour permettre un accès facile aux articles rangés à l'arrière.



A. Clayette Spillsaver™ B. Clayette Easy Glide™

Système Chiller Fresh™ (sur certains modèles)

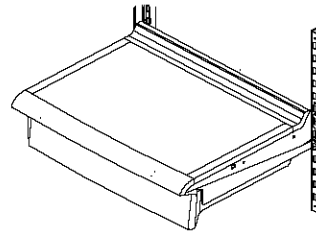
Le système Chiller Fresh™ se compose d'un tiroir entouré d'un manchon. De l'air circule entre le tiroir et le manchon, gardant ainsi les aliments frais plus longtemps et à une température jusqu'à 5 °F (3 °C) plus froide que dans le reste du compartiment réfrigérateur. Utiliser ce tiroir pour ranger les viandes froides ou autres fruits et légumes frais.

Localiser, sous les moulures avant de la clayette, le réglage Chiller Fresh™ permettant de moduler la circulation de l'air du compartiment congélateur entre le

tiroir et le manchon. Faire coulisser le thermostat sur « cold » (froid) pour obtenir une température similaire à celle du compartiment réfrigérateur et sur « coldest » (le plus froid) pour une température plus froide. Des cristaux de glace peuvent se former dans le tiroir sur le réglage « coldest ». L'air froid qui circule autour du tiroir peut légèrement faire baisser la température du compartiment réfrigérateur, dont le thermostat peut devoir être modifié.

Pour ajuster ou nettoyer :

- Pour enlever le tiroir, le soulever et tirer. Pour enlever la clayette, en soulever l'avant et dégager les crochets de la crémaillère métallique, puis tirer vers soi.
- Pour remettre la clayette en place, insérer les crochets sur la crémaillère métallique et abaisser l'avant. Utiliser les encoches entre la 8^e et la 11^e incluses. Pour remettre le tiroir, le faire glisser en place. Vérifier que la gaine est bien ajustée sur l'arrivée d'air sur la paroi latérale.



Tiroir Deli Drawer™ (certains modèles)

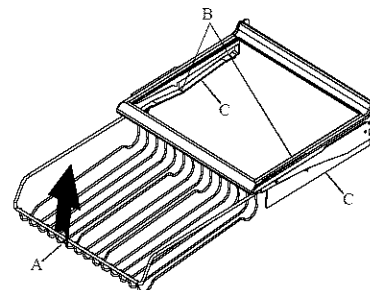
Pour ajuster ou nettoyer :

- Retirez le tiroir en le soulevant et en tirant sur celui-ci. Retirez l'étagère en soulevant le devant de celle-ci, en dégageant les crochets des rails métalliques puis en tirant.
- Replaces l'étagère en insérant les crochets dans les rails métalliques et en abaissant le devant. Remettez le tiroir en place en le faisant glisser vers l'avant.

Range-bouteilles (certains modèles)

Le range-bouteilles se glisse sous la tablette coulissante. Il peut contenir jusqu'à 12 canettes ou autres bouteilles.

- Retirer le range-bouteilles en le tirant vers soi jusqu'à ce qu'il s'enclenche dans les rainures de la gouttière de la tablette. Soulever et tirer le range-bouteilles pour l'enlever.
- Pour le remettre en place, placer le range-bouteilles dans les gouttières de la tablette jusqu'à ce qu'il soit arrêté par la rainure. Soulever l'avant du range-bouteilles et le glisser vers l'arrière de l'appareil.



A. Range-bouteilles
B. Rainure C. Tablette

Bacs à légumes à humidité contrôlée Garden Fresh™ (certains modèles)

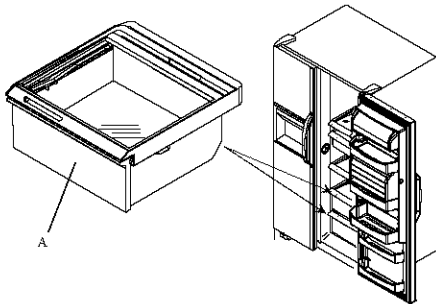
Les bacs à légumes Garden Fresh™ permettent de conserver la fraîcheur des aliments plus longtemps. Envelopper les aliments hermétiquement. Ne pas les laver avant de les placer dans les bacs. L'humidité excessive peut gâter les aliments prématurément. Ne pas étendre d'essuie-tout dans les tiroirs, car ce type de papier retient l'humidité.

La commande du bac à légumes Garden Fresh™ est située sous les moulures avant. La commande règle le taux d'humidité des bacs. La mettre sur « high » (élevé) pour les aliments feuillus tels que la laitue, les épinards ou le chou. Mettre la commande sur *low* (faible) pour les aliments à pelure tels que le chou-fleur, le maïs, les courgettes ou les tomates.



ATTENTION

Pour éviter tous dégâts matériels ou toutes blessures graves, manipuler les clayettes en verre trempé avec soin. Les clayettes peuvent se casser soudainement si elles sont entaillées, égratignées ou exposées à un changement soudain de température.



A. Tiroir du bac à légumes

Enlever les bacs à légumes Garden Fresh™ en procédant de la façon suivante :

1. Retirer le bac à légumes en soulevant la partie avant, puis tirer vers soi.
2. Retirer la clayette en la soulevant doucement par en dessous. Incliner une extrémité en haut et tirer vers soi.
3. Replacer les bacs à légumes et la clayette en procédant à l'inverse des étapes 1 et 2.

Rayon de rangement (certains modèles)

Le rayon de rangement permet de ranger facilement des articles tels qu'une grosse bouteille, des oeufs, etc.

Selon l'emplacement de la clayette, suspendre le rayon en suivant l'une des méthodes suivantes. Le rayon ne peut être installé à côté de l'ampoule électrique du compartiment réfrigérateur.

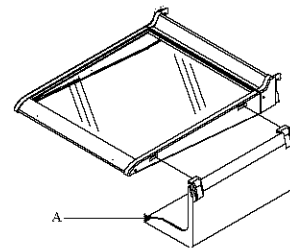
- Enlever la clayette en soulevant la partie avant et en relâchant les crochets de la crémaillère métallique, puis en tirant vers soi. Suspendre le rayon en insérant les attaches dans les ouvertures prévues à cet effet sur le côté de la clayette. Replacer celle-ci en insérant les crochets dans la crémaillère métallique et en abaissant la partie avant.

ou

- Faire glisser le rayon le long de la clayette jusqu'à ce que les attaches soient insérées dans les ouvertures. • Remove shelf by lifting front, releasing hooks from metal track then pulling out. Hang rack by inserting tabs into slots on side of shelf. Replace shelf by inserting hooks into metal track and lowering front.

ou

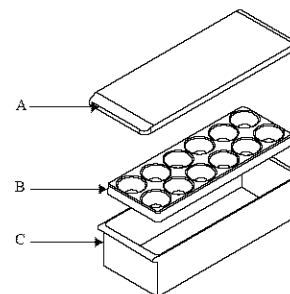
- Faire glisser le rayon le long de la clayette jusqu'à ce que les attaches soient insérées dans les ouvertures.



A. Rayon de rangement

Compartiment de rangement couvert (certains modèles)

Le compartiment de rangement possède un couvercle et un oeufrier amovible. Lorsque l'oeufrier est enlevé, le compartiment peut contenir des articles tels qu'un carton d'oeufs standard, des glaçons, etc.



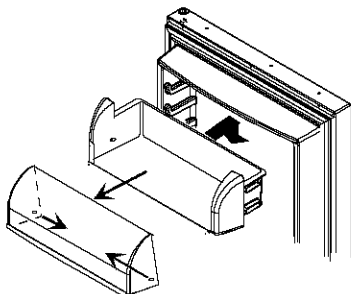
A. Couvercle
B. Oeufrier
C. Compartiment de rangement

Casier laitier (certains modèles)

Le casier laitier offre un espace de rangement pour des articles tels que le beurre, le fromage, etc.

Le casier laitier est réglable pour satisfaire aux besoins de rangement. Le casier laitier peut aussi être retiré à des fins de nettoyage. Pour retirer le casier laitier, procéder comme suit:

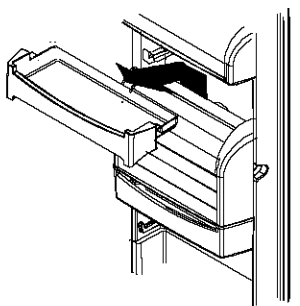
- Retirer le couvercle du casier laitier en l'ouvrant. Pousser le couvercle vers l'intérieur à des points de pivot et tirer le couvercle. Soulever le casier laitier vers le haut et le tirer pour l'enlever.
- Replacer le casier laitier en inversant la procédure.



Refroidisseur de casse-croûte (certains modèles)

Le refroidisseur de casse-croûte offre un espace de rangement pratique pour les petits articles et les casse-croûte.

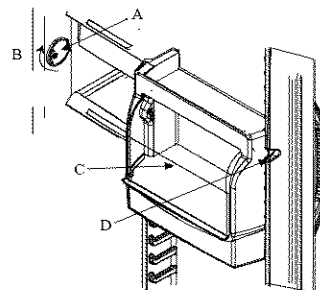
Pour retirer le refroidisseur de casse-croûte, le soulever et tirer. Replacer le refroidisseur de casse-croûte en faisant glisser dans la crémaillère du support et en poussant en place.



Refroidisseur de boissons à température contrôlée Beverage Chiller™ (certains modèles)

Le refroidisseur de boissons à température contrôlée Beverage Chiller™ garde les boissons jusqu'à 5 °F (3 °C) plus froid que le réfrigérateur. L'entrée d'air permet à l'air du congélateur de circuler dans le refroidisseur de boissons. L'entrée d'air est située dans la paroi intérieure de la porte du réfrigérateur.

La commande du refroidisseur de boissons Beverage Chiller™ est située sur la paroi avant gauche du réfrigérateur. Elle permet de régler la quantité d'air circulant dans le refroidisseur de boissons. Tourner la commande sur *COLD* (froid) pour obtenir la température normale du réfrigérateur et sur *COLDER* (plus froid) pour une température plus froide.



- A. Commande de température Beverage Chiller™
 B. Tourner la commande dans le sens horaire pour une température plus froide.
 C. Porte Beverage Chiller™ D. Entrée d'air

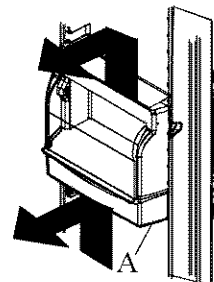
Couvercle basculant Beverage Chiller™

Le refroidisseur Beverage Chiller™ est équipé d'un couvercle basculant réglable pour faciliter le rangement et le nettoyage.

Pour enlever la porte du refroidisseur de boissons, procéder comme suit :

1. Saisir le refroidisseur de boissons par les côtés. Pour l'enlever, le soulever et le tirer.

Remarque: si le refroidisseur de boissons est équipé d'un fond séparé, le pousser vers le haut et le tirer vers soi.



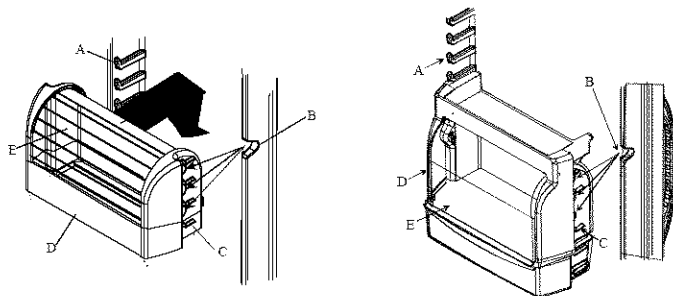
- A. Fond du refroidisseur de boissons Beverage Chiller™
 Couverture basculant Beverage Chiller™

Pour le remettre en place :

1. Faire glisser le fond du refroidisseur de boissons entre les glissières désirées dans le joint hermétique de la porte et pousser dessus pour le remettre en place.
 - Si la glissière de porte du refroidisseur de boissons est nettoyée, elle doit être lubrifiée avec de la vaseline pour assurer le bon fonctionnement de la porte du refroidisseur.
2. Faire glisser le refroidisseur de boissons entre les glissières désirées dans le joint hermétique de la porte et le pousser vers le bas pour le remettre en place par-dessus le fond du refroidisseur de boissons.

IMPORTANT

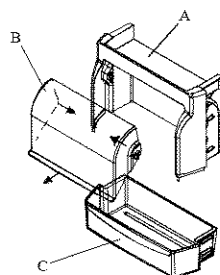
Pour assurer le bon fonctionnement du refroidisseur de boissons Beverage Chiller™, aligner l'un des orifices d'arrivée d'air froid avec l'encoche se trouvant dans le cadre de la porte de droite.



- A. Glissière du joint hermétique de la porte
- B. Aligner l'encoche se trouvant dans le cadre de la porte avec aligner l'un des orifices d'arrivée d'air froid du refroidisseur de boissons.
- C. Rebord
- D. Beverage Chiller™
- E. Porte du Beverage Chiller™

Couvercle basculant réglable Beverage Chiller™

- Retirer le couvercle du refroidisseur de boissons (modèle avec couvercle basculant seulement) en l'ouvrant. Pousser le couvercle vers l'intérieur aux points de pivot et tirer le couvercle vers soi. Pour le remettre en place, procéder à l'inverse.



- A. Dessus du refroidisseur de boissons
- B. Couvercle du refroidisseur de boissons
- C. Fond du refroidisseur de boissons

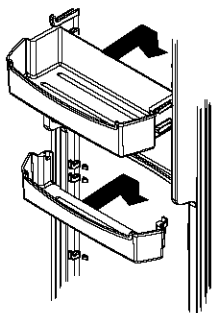
Couvercle basculant Beverage Chiller™

Compartiments de porte et clayettes

Le graphique ci-dessous ne représente pas tous les types de balconnets et de clayettes. Cependant, les consignes suivantes s'appliquent à tous les appareils.

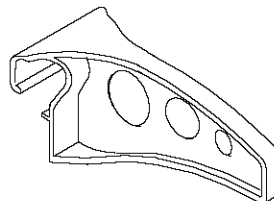
Les compartiments de porte sont ajustables pour s'adapter aux besoins de rangement.

- Enlever les compartiments de porte en les poussant vers le haut et en tirant.
- Replacer les compartiments de porte en les faisant glisser jusqu'à ce que les attaches soient bien verrouillées.



Séparateur réglable (certains modèles)

Le séparateur réglable permet de garder les articles en place et d'adapter le réfrigérateur aux besoins individuels de rangement. Le séparateur convient à tout compartiment ou clayette de porte.

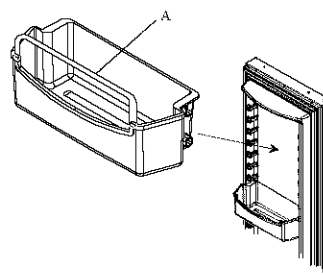


Conteneur de grands emballages (certains modèles)

Le conteneur de grands emballages permet de retenir solidement les grands articles. Il peut être installé dans tout compartiment ou clayette de porte et se règle à deux hauteurs différentes.

Pour l'installer le conteneur de grands emballages, l'insérer dans les trous de chaque côté du compartiment de porte ou au devant de la clayette.

- Pour régler plus haut, installer le conteneur de grands emballages en plaçant les boutons se trouvant sur le conteneur face à l'extérieur.
- Pour régler plus bas, installer le conteneur de grand emballages en plaçant les boutons se trouvant sur le conteneur face à l'intérieur. Les boutons glissent dans les trous du conteneur à l'intérieur du compartiment avant.



A. Conteneur de grands emballages

Caractéristiques du congélateur

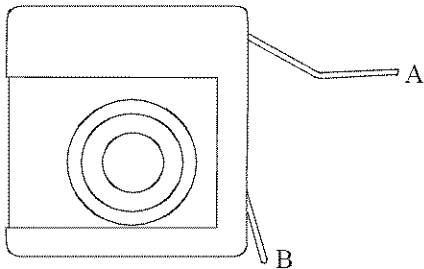


ATTENTION

Pour éviter tous dégâts matériels, s'assurer que la clayette est bien fixée avant de replacer des articles sur celle-ci.

Appareil à glaçons automatique (modèles avec distributeur)

- S'assurer que le seau est en place et que le bras de l'appareil est tourné vers le bas.



- A. Position « off » (arrêt)
- B. Position « on » (marche)

- Après que le compartiment congélateur a atteint une température normale, l'appareil à glaçons se remplit d'eau et commence à fonctionner. Attendre 24 à 48 heures suite à l'installation avant que le premier lot de glaçons ne soit fabriqué. L'appareil à glaçons fabrique de 7 à 9 lots de glaçons durant une période de 24 heures dans des conditions idéales.
- Après que la glace s'est formée, l'appareil à glaçons laisse tomber les glaçons dans le seau à glace. Durant la fabrication des glaçons, le bras de l'appareil à glaçons se lève et s'abaisse. Lorsque le seau à glace est plein, le bras de l'appareil à glaçons arrête celui-ci. Jeter les trois premiers lots de glaçons suite au branchement du réfrigérateur à l'alimentation en eau domestique et après une période prolongée d'inutilisation.
- Soulever le bras de l'appareil à glaçons pour cesser la fabrication de glaçons. Un déclic se fait entendre lorsque la position correcte est atteinte. Le bras de l'appareil à glaçons demeure en position « off » (arrêt) jusqu'à ce qu'il soit poussé vers le bas.



ATTENTION

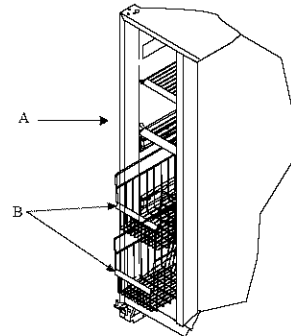
Pour éviter d'endommager l'appareil à glaçons, observer les consignes suivantes:

- Ne pas forcer le bras de l'appareil à glaçons vers le haut ou vers le bas.
- Ne jamais ranger quoi que ce soit dans le seau à glace.

Système Stor-Mor®

Les paniers métalliques peuvent coulisser vers l'avant pour faciliter l'accès aux articles rangés à l'arrière et peuvent être réglés de façon à satisfaire aux besoins individuels de rangement.

- Retirer les paniers en les soulevant et en tirant vers soi. Replacer les paniers en les installant sur les crémaillères latérales. Les faire glisser en ligne droite et vers l'arrière jusqu'à ce que le bouton rond soit derrière l'arrêt de la crémaillère.
- Retirer la clayette en la soulevant du côté droit hors des attaches et en la tirant du côté gauche des trous de fixation. Inverser la procédure pour installer de nouveau la clayette.



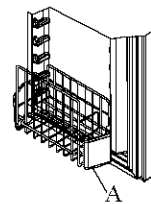
- A. Clayette métallique
- B. Paniers métalliques

Bac inclinable (certains modèles)

Le bac inclinable procure de l'espace de rangement pratique pour les aliments congelés dans la porte du congélateur. Il peut être déplacé un peu partout dans la porte du congélateur et s'incline vers l'avant pour faciliter l'accès à ces articles.

Pour ajuster ou nettoyer :

- Retirer le bac en le poussant vers le haut et en le tirant vers soi.
- Remettre le bac en place en le faisant glisser entre les glissières des clayettes et en le poussant jusqu'à ce qu'il s'enclenche en place.

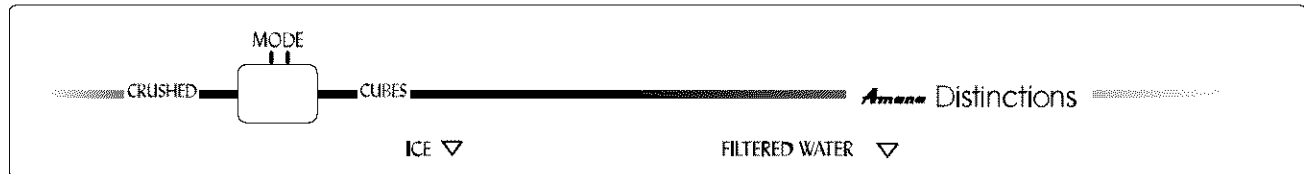
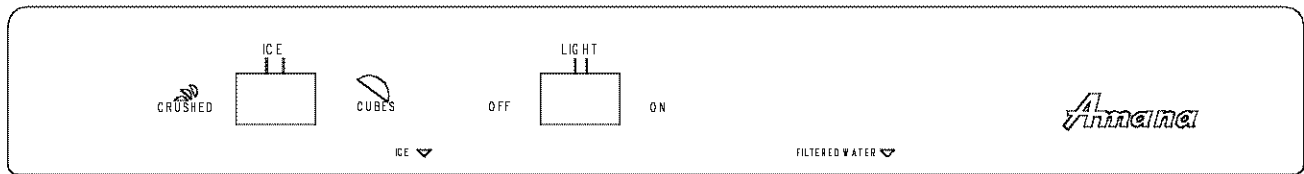


- A. Bac

Retrait du bac à glace

- Pour retirer le bac à glace, le soulever et tirer vers l'avant.
- Pour remettre le bac à glace en place, le faire glisser jusqu'à ce qu'il s'enclenche en place afin que le distributeur de glace fonctionne correctement. Si la porte du compartiment congélateur ne ferme pas, le bac n'est pas au bon endroit.

Distributeur à curseur Ice 'N' Water™ (certains modèles)



ATTENTION

Pour éviter tous dommages matériels ou blessures, procéder comme suit:

- Ne pas faire fonctionner le distributeur avec la porte du compartiment congélateur ouverte.
- Ne pas mettre les doigts, les mains ou un objet quelconque dans l'ouverture du distributeur.
- Ne pas utiliser d'objets pointus pour casser la glace.

Fonctionnement du distributeur d'eau

Allouer approximativement une minute après le raccordement du réfrigérateur à l'alimentation en eau avant que le distributeur d'eau se mette en marche. Jeter les 10 à 14 premiers récipients d'eau tirés après le raccordement du réfrigérateur à l'alimentation en eau ou lorsque le distributeur n'a pas fonctionné pendant un certain temps.

- Pour prendre de l'eau, pousser avec un récipient résistant à large ouverture sur le mécanisme.
- Pour fermer l'eau, cesser de pousser sur le mécanisme. Il se peut que l'eau continue de couler un peu. Le trop-plein n'a pas d'évacuation et si une quantité excessive d'eau s'y trouve renversée, il faut l'éponger et essuyer le trop-plein.

Fonctionnement du distributeur de glaçons

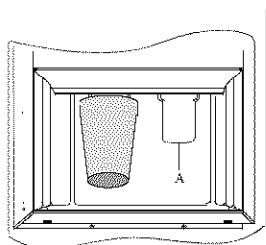
ATTENTION

Pour éviter tous dommages matériels, ne pas mettre de glace directement dans des articles en verre, porcelaine ou cristal délicat.

- Sélectionner le mode glaçons ou glace pilée à l'aide du levier du distributeur. Pour prendre des glaçons, pousser avec un récipient à large ouverture sur le mécanisme.

Important

Tenir le récipient directement sous l'ouverture de l'appareil et aussi haut que possible pour éviter que les morceaux de glaçons n'éclaboussent.



A. Barre du distributeur

- Pour arrêter la production de glace, cesser de pousser sur le mécanisme avant que le récipient ne soit plein. Un peu de glace va continuer à tomber. Ne pas retirer le récipient avant que la glace ait cessé de tomber.

Si de la glace est produite de façon continue, le moteur du distributeur s'arrête au bout de trois à cinq minutes. Il se remet en état de marche au bout de trois minutes et la production de glace peut recommencer.

Lorsqu'on passe du mode glaçons au mode glace pilée, l'appareil ne fonctionne pas immédiatement dans ce nouveau mode et les morceaux de glace pilée sont de tailles et formes différentes. De la « neige » peut se former sur la porte et sur l'ouverture du distributeur lors de la production répétée de glace pilée. Laisser cette « neige » s'évaporer ou l'essuyer.

Goût et odeur

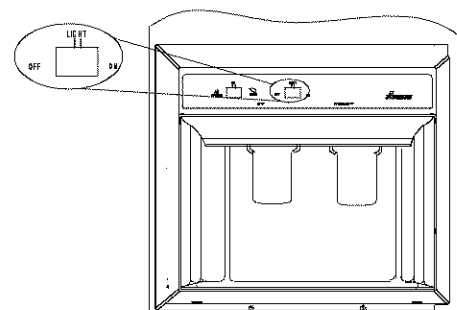
Procéder comme suit pour réduire au minimum les problèmes de goût et d'odeur :

- Placer la nourriture dans des récipients ou des sacs étanches et hermétiquement fermés.
- Contacter une société de traitement des eaux locales pour vous assurer l'assistance de spécialistes si vos difficultés persistent.
- Si le réfrigérateur est doté d'un filtre à eau, remplacer la cartouche du filtre à eau. Voir les *Instructions d'installation et de fonctionnement du système de filtration de l'eau* pour connaître la procédure de remplacement.

Éclairage du distributeur (certains modèles)

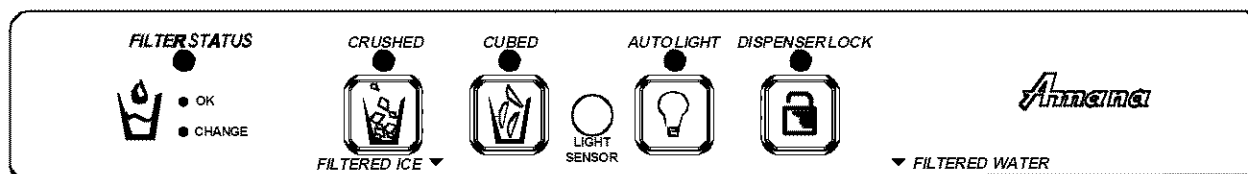
Lorsqu'on prend de l'eau ou de la glace, une lumière s'allume au niveau du distributeur. Certains modèles comportent une lumière de nuit.

- Allumer la veilleuse en faisant glisser l'interrupteur situé sur la commande au-dessus du distributeur.



A. Interrupteur de la lumière de nuit

Distributeur à commande électronique Ice 'N' Water™ (certains modèles)



ATTENTION

Pour éviter tous dommages matériels ou blessures, procéder comme suit :

- Ne pas faire fonctionner le distributeur avec la porte du compartiment congélateur ouverte.
- Ne pas mettre les doigts, les mains ou un objet quelconque dans l'ouverture du distributeur.
- Ne pas utiliser d'objets pointus pour casser la glace.

Fonctionnement du distributeur d'eau

Allouer approximativement une minute après le raccordement du réfrigérateur à l'alimentation en eau avant que le distributeur d'eau se mette en marche. Jeter les 10 à 14 premiers récipients d'eau tirés après le raccordement du réfrigérateur à l'alimentation en eau ou lorsque le distributeur n'a pas fonctionné pendant un certain temps.

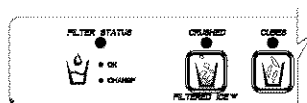
- Pour prendre de l'eau, pousser avec un récipient résistant à large ouverture sur le mécanisme. Remarque: si le distributeur d'eau fonctionne pendant plus de 5 minutes, un dispositif de verrouillage automatique avec capteur coupe l'alimentation du distributeur. Pour de plus amples renseignements, voir la rubrique *Verrouillage automatique*.
- Pour fermer l'eau, cesser de pousser sur le mécanisme. Il se peut que l'eau continue de couler un peu. Le trop-plein n'a pas d'évacuation et si une quantité excessive d'eau s'y trouve renversée, il faut l'éponger et essuyer le trop-plein.

Ice Dispenser Operation

ATTENTION

Pour éviter tous dommages matériels, ne pas mettre de glace directement dans des articles en verre, porcelaine ou cristal délicat.

- Sélectionner le mode glaçons ou glace pilée en appuyant sur le bouton sur le panneau du distributeur. Un voyant vert se trouvant au-dessus du bouton indique la sélection. Pour prendre des glaçons, pousser avec un récipient à large ouverture sur le mécanisme. Le mode de sélection ne peut être modifié pendant que le distributeur fonctionne.



Important

Tenir le récipient directement sous l'ouverture de l'appareil et aussi haut que possible pour éviter que les morceaux de glaçons n'éclaboussent.

Si de la glace est produite de façon continue, le moteur du distributeur s'arrête au bout de trois à cinq minutes. Il

se remet en marche au bout de trois minutes et la production de glace peut recommencer.

Lorsqu'on passe du mode glaçons au mode glace pilée, l'appareil ne fonctionne pas immédiatement dans ce nouveau mode et les morceaux de glace pilée sont de tailles et de formes différentes. De la « neige » peut se former sur la porte et sur l'ouverture du distributeur lors de la production répétée de glace pilée. Laisser cette « neige » s'évaporer ou l'essuyer.

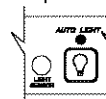
Goût et odeur

Procéder comme suit pour réduire au minimum les problèmes de goût et d'odeur :

- Placer la nourriture dans des récipients ou des sacs étanches et hermétiquement fermés.
- Contacter une société de traitement des eaux locales pour vous assurer l'assistance de spécialistes si vos difficultés persistent.
- Si le réfrigérateur est doté d'un filtre à eau, remplacer la cartouche du filtre à eau. Voir les *Instructions d'installation et de fonctionnement du système de filtration de l'eau* pour connaître la procédure de remplacement.

Lumière du distributeur

Lorsqu'on prend de l'eau ou de la glace, une lumière s'allume à une intensité maximum au niveau du distributeur. Un capteur active automatiquement la lumière à demi-intensité lorsque le niveau d'éclairage du réfrigérateur est faible. Pour activer ou désactiver le capteur, appuyer sur le bouton *AUTO LIGHT* situé sur le panneau de commande. Un voyant vert se trouvant au-dessus du bouton indique que le capteur est activé.



Verrouillage du distributeur

Cette fonction empêche le distributeur d'eau et de glace de fonctionner. Pour activer ou désactiver le verrouillage, appuyer sur le bouton *DISPENSER LOCK* et le maintenir enfoncé pendant 3 secondes. Un voyant vert se trouvant au-dessus du bouton indique que le distributeur est verrouillé.



Verrouillage automatique

La fonction de verrouillage automatique arrête les mécanismes de distribution d'eau et de glace lorsqu'un des deux a fonctionné pendant 5 minutes. Pour remettre le distributeur en marche, appuyer sur le bouton *DISPENSER LOCK* et le maintenir enfoncé pendant 3 secondes.

Lumière du filtre

Le voyant du filtre rappelle à l'utilisateur de remplacer le filtre à eau. Lorsque le voyant est vert, cela signifie que le filtre est en bon état. Lorsqu'il est rouge, cela signifie que le filtre doit être remplacé. Une fois rouge, le voyant ne change pas de couleur tant qu'il n'a pas été réinitialisé.

Pour réinitialiser le voyant, appuyer sur les boutons *DISPENSER LOCK* et *AUTO LIGHT* simultanément pendant 4 secondes. Le voyant vert clignote 3 fois lorsqu'il a été réinitialisé.

IMPORTANT: l'état du filtre doit être réinitialisé lorsque le filtre est remplacé.



Entretien et nettoyage



MISE EN GARDE

Pour éviter tout risque d'électrocution qui pourrait causer des blessures graves, voire mortelles, débrancher le courant du réfrigérateur avant de procéder au nettoyage. Après le nettoyage, brancher de nouveau le courant.



ATTENTION

Pour éviter tous dégâts matériels ou toutes blessures corporelles, lire et suivre toutes les directives du fabricant des produits de nettoyage de l'appareil.

Général

La garantie ne couvre pas les dommages causés à la finition en acier inoxydable suite à un usage inadéquat ou non recommandé des produits de nettoyage. Revue *Nettoyage de l'acier inoxydable* pour entretien et nettoyage.

1. Nettoyer les surfaces avec une solution composée de 4 c. à table de bicarbonate de soude dissout dans un litre d'eau chaude ou de l'eau chaude savonneuse. Utiliser un linge doux et propre.
2. Rincer les surfaces à l'eau tiède et les essuyer avec un linge doux et propre.
 - Ne pas utiliser les articles suivants :
 - produits nettoyants abrasifs ou décupants, ammoniacaux, javellisant, etc.
 - détergents ou solvants concentrés
 - tampons à récurer métalliques

Ces articles peuvent égratigner, craqueler ou décolorer les surfaces.

- Ne pas placer les bacs, clayettes, etc. dans le lave-vaisselle.

Nettoyage de l'acier inoxydable

La garantie ne couvre pas les dommages causés à la finition en acier inoxydable suite à un usage inadéquat ou non recommandé des produits de nettoyage.

Pour connaître la liste des produits recommandés par Amana, appeler le service aux consommateurs au 1-800-843-0304.

1. Nettoyer les surfaces avec de l'eau chaude savonneuse et un linge propre et doux ou une éponge.
2. Rincer les surfaces avec de l'eau chaude. Les essuyer avec un linge propre et doux.
 - Ne pas utiliser les produits de nettoyage trop puissants qui suivent :
 - produits de nettoyage acides ou abrasifs (ammoniac, javellisant, produits à base de vinaigre, etc.)
 - produits de nettoyage à base de citron
 - tampons à récurer (métalliques, en plastique texturé, etc.)

Ils peuvent égratigner, décolorer ou ternir les surfaces en permanence.

3. Rincer, puis sécher immédiatement avec un linge propre et doux. Cela évitera que l'eau ne fasse des taches sur la finition en acier inoxydable.

Suppression des odeurs

1. Enlever toute la nourriture et débrancher le courant du réfrigérateur.
2. Nettoyer toutes les surfaces intérieures, notamment la partie supérieure, la partie inférieure et les parois conformément aux instructions générales. Porter une attention spéciale aux coins, fissures et rainures, de même qu'aux tiroirs, clayettes et joints.
3. Brancher le courant du réfrigérateur et y replacer la nourriture. Nettoyer et essuyer toutes les bouteilles, tous les contenants et les pots. Emballer la nourriture dans des contenants scellés hermétiquement afin de prévenir l'émanation d'odeurs. Après 24 heures, vérifier si l'odeur persiste.

Si l'odeur persiste, procéder de la façon suivante :

4. Recommencer les étapes 1 et 2.
5. Placer les bacs à légumes Garden Fresh sur la clayette supérieure du compartiment réfrigérateur. Recouvrir les compartiments réfrigérateur et congélateur, y compris les portes, avec des feuilles de papier journal noir et blanc chiffonnées.
6. Disposer les briquettes de charbon de bois un peu partout sur le papier journal.
7. Fermer les portes et laisser en place durant 24 à 48 heures.
8. Enlever les briquettes de charbon de bois et les journaux.
9. Recommencer les étapes 2 et 3.

Contactez le service à la clientèle si l'odeur persiste. Voir la section "Identification du modèle" pour connaître le numéro de téléphone.

Adhésifs

1. Enlever les résidus de colle en frottant l'adhésif avec du dentifrice jusqu'à ce que celui-ci se décolle.
2. Rincer la surface à l'eau tiède. L'essuyer avec un linge doux et propre.

Joint de porte

1. Nettoyer les joints de porte tous les 3 mois conformément aux instructions générales.
2. Appliquer une mince couche de gelée de pétrole sur le côté charnière du joint d'étanchéité de la porte pour maintenir la flexibilité des joints.

Bobine de condensateur

Nettoyer la bobine de condensateur tous les 3 mois afin d'assurer un rendement maximum du réfrigérateur. La poussière accumulée et les peluches peuvent entraîner les problèmes suivants:

- refroidissement moins efficace
 - consommation d'énergie plus élevée
 - défaillance prématurée du compresseur
1. Enlever la grille en tenant les extrémités et en tirant vers l'avant.
 2. Nettoyer la surface avant de la bobine du condensateur avec le suceur d'un boyau d'aspirateur.
 3. Replacer la grille en insérant les attaches dans les trous et en les mettant en place avec un claquement.



ATTENTION

Pour éviter tous dégâts matériels, recouvrir les tuiles de vinyle ou autre type de plancher avec du carton, des tapis ou autre matériel de protection avant de déplacer le réfrigérateur.

4. Tirer le réfrigérateur loin du mur. Passer l'aspirateur sur la grille de sortie d'aération du condensateur à l'arrière du réfrigérateur.

Clayettes en verre



MISE EN GARDE

Pour éviter tous dégâts matériels ou toutes blessures corporelles, manipuler les clayettes en verre trempé avec soin. Celles-ci peuvent casser soudainement si elles sont entaillées, égratignées ou exposées à un changement soudain de température.

Enlever la clayette en soulevant le devant, en relâchant les crochets de la crémaillère en métal, puis en tirant. Placer la clayette sur une serviette. La laisser s'adapter à la température ambiante avant de procéder au nettoyage.

Nettoyer les fentes en suivant ces étapes :

1. Diluer un détergent doux et appliquer la solution à l'intérieur des fentes en brossant celles-ci à l'aide d'une brosse à poils en plastique. Laisser pénétrer durant 5 minutes.
2. Vaporiser de l'eau tiède à l'intérieur des fentes à l'aide d'un vaporisateur conçu à cet effet.
3. Bien essuyer la clayette et replacer celle-ci en insérant les crochets dans la crémaillère en métal et en rabaisant le devant.

Ampoules électriques



MISE EN GARDE

Pour éviter tout risque d'électrocution pouvant causer des blessures graves, voire mortelles, débrancher le courant du réfrigérateur avant de replacer l'ampoule. Après avoir replacé l'ampoule, brancher de nouveau le courant.



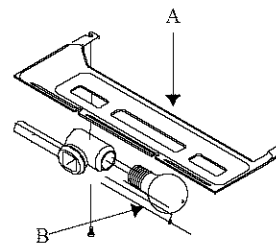
ATTENTION

Pour éviter toutes blessures corporelles ou tous dégâts matériels, veuillez observer les consignes suivantes:

- Laisser l'ampoule refroidir.
- Porter des gants durant le remplacement de l'ampoule électrique.

Partie supérieure du compartiment réfrigérateur

- Retirer le couvre-ampoule en enlevant les écrous hexagonaux de ¼ po. Remplacer l'ampoule par une autre de 60 watts maximum conçue pour les appareils électroménagers.
- Remettre le couvre-ampoule en place en revissant les écrous hexagonaux de ¼ po.



A. Couvre-ampoule

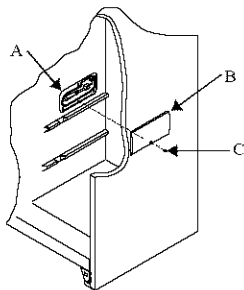
B. Ampoule électrique

Partie inférieure du compartiment réfrigérateur (certains modèles)

- Retirer le couvre-ampoule en enlevant la vis. Remplacer l'ampoule par une autre de 40 watts maximum conçue pour les appareils électroménagers.

Bruits de fonctionnement normaux

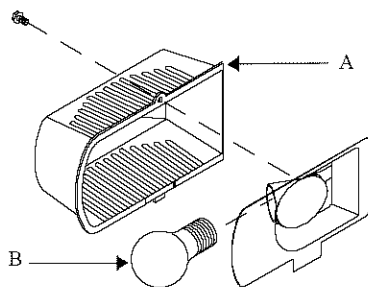
- Remettre le couvre-ampoule en l'installant par-dessus l'ampoule. Insérer une vis et la serrer.



A. Ampoule électrique B. Couvre-ampoule
C. Vis

Compartiment congélateur

- Enlever le bac à glace. Pour cela, le soulever et le tirer vers l'avant.
- Retirer le couvre-ampoule en enlevant la vis. Remplacer l'ampoule par une autre de 60 watts maximum conçue pour les appareils électroménagers.
- Remettre le couvre-ampoule en le tenant en place au-dessus de l'ampoule. Insérer une vis et la serrer.
- Pour replacer le bac à glace, le faire glisser à l'intérieur jusqu'à ce qu'il soit bien en place.

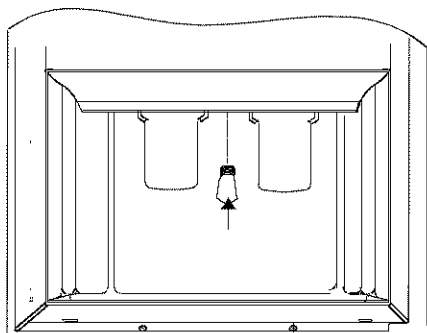


A. Couvre-ampoule B. Ampoule électrique

Distributeur Ice 'N' Water™ (certains modèles)

L'ampoule se trouve entre les bras du distributeur.

- La dévisser et remplacer par une ampoule de 6 W et 120 V.
- Pour remplacer l'ampoule, insérer et serrer la nouvelle ampoule.



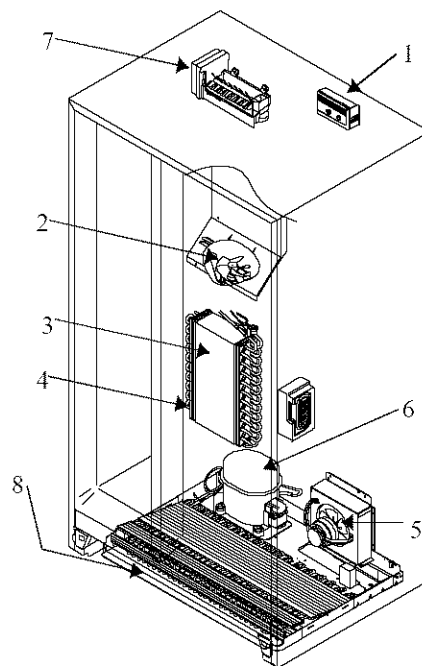
Ce nouveau réfrigérateur remplace probablement un réfrigérateur conçu de façon différente, plus petit ou moins efficace. Les réfrigérateurs modernes possèdent de nouvelles caractéristiques et utilisent l'énergie de façon plus efficace. Par conséquent, certains bruits ne seront pas familiers mais le deviendront bientôt car ils sont normaux. Ces bruits indiquent également que le réfrigérateur fonctionne bien et offre le rendement attendu.

- La commande congélateur** émet un déclic lorsque le compresseur se met en marche ou s'arrête.
- Le ventilateur du congélateur** ronronne ou propulse l'air.
- Le flux de réfrigérant du **système hermétique** (évaporateur et échangeur de chaleur) gargouille, éclate ou émet le son de l'eau qui bout.
- Le dégivreur** grésille, siffle ou éclate.
- Le ventilateur du condenseur** ronronne ou propulse l'air.
- Le compresseur** émet un son aigu ou un vrombissement.
- Les glaçons** fabriqués par l'appareil à glaçons (sur certains modèles) tombent dans le seau à glace.
- La minuterie du dégivreur** ressemble à celui d'une horloge électrique et se fait entendre au début et à la fin du cycle de dégivrage.

Le broyeur à glaçons (sur les modèles comprenant un distributeur Ice 'N' Water™) émet un vrombissement lorsqu'il agite la glace pendant la distribution. Il est situé dans la porte du compartiment congélateur (non illustré).

Le raccord de la soupape d'eau de l'appareil à glaçons (sur certains modèles) bourdonne lorsque l'appareil à glaçons se remplit d'eau. Cela se produit que le réfrigérateur soit branché ou non à l'alimentation en eau. S'il n'est pas branché, le bruit s'arrêtera lorsque le bras de l'appareil à glaçons est soulevé en position arrêt. Le raccord de la soupape d'eau est situé à l'arrière, dans le coin inférieur gauche (non illustré).

L'isolant mousse permet d'économiser une grande quantité d'énergie et possède d'excellentes qualités isolantes. Cependant, il n'est pas aussi capable d'amortir le bruit que l'isolant en fibre de verre utilisé auparavant (non illustré).



Avant d'appeler le technicien

Le réfrigérateur ne fonctionne pas.

- S'assurer que la commande congélateur est en position « on » (marche).
- S'assurer que le réfrigérateur est branché.
- Vérifier le fusible ou le disjoncteur. Brancher un autre appareil dans la prise de courant.
- Attendre 40 minutes pour vérifier si le réfrigérateur se remet en marche. Si la commande congélateur est en marche, et que les lumières fonctionnent, mais que les 2 ventilateurs et le compresseur ne fonctionnent pas, le réfrigérateur est probablement en cycle de dégivrage.

Le réfrigérateur ne fonctionne toujours pas.

- Débrancher le réfrigérateur. Transférer la nourriture dans un autre réfrigérateur ou verser de la neige carbonique dans le compartiment congélateur pour conserver les aliments. **La garantie ne couvre pas la perte de nourriture.** Consulter le certificat de garantie pour connaître la couverture applicable.
- Appeler le **1-800-628-5782** à partir des États-Unis et le **1-319-622-5511** à l'extérieur des États-Unis pour connaître le technicien agréé par Amana le plus proche.

La température de la nourriture semble trop élevée.

- Voir les sections précédentes.
- Laisser la nourriture récemment placée dans le réfrigérateur atteindre la température des compartiments réfrigérateur ou congélateur.
- Vérifier si les joints sont hermétiques.
- Nettoyer les bobines de condensateur.
- Régler la commande réfrigérateur et/ou congélateur.
- S'assurer que la grille d'aération arrière n'est pas bloquée. Celle-ci est située à gauche derrière le bac à légumes.

La température du système Chiller Fresh™ est trop chaude.

- Régler la commande sur une position plus froide.
- Régler la commande congélateur sur une position plus froide.

La température de la nourriture est trop froide.

- Nettoyer les bobines du condensateur.
- Régler la commande réfrigérateur.
- Régler la commande congélateur sur une température plus chaude. Attendre plusieurs heures afin que la température atteigne le niveau désiré.
- L'un des 3 orifices d'entrée d'air du refroidisseur de boissons n'est pas aligné avec la coche du côté droit de la canalure de la porte.

Le réfrigérateur fonctionne trop souvent.

- Cela peut être normal afin de maintenir une température constante.
- Les portes ont peut-être été ouvertes trop fréquemment ou durant une période de temps prolongée.
- Laisser la nourriture récemment placée dans le réfrigérateur atteindre la température des compartiments réfrigérateur ou congélateur.
- Nettoyer les bobines de condensateur.
- Régler la commande congélateur.
- Vérifier si les joints sont hermétiques.

Des gouttelettes d'eau se forment à l'intérieur du réfrigérateur.

- Cela est normal durant les périodes d'humidité intense ou si les portes ont été ouvertes fréquemment.

- Vérifier si les joints sont hermétiques.

Des gouttelettes d'eau se forment à l'extérieur du réfrigérateur.

- Vérifier si les joints sont hermétiques.
- Cela est normal durant les périodes d'humidité intense ou si les portes ont été ouvertes fréquemment.
- **Consulter la rubrique *Réglage des commandes*** pour vérifier si les commandes sont bien réglées.

Les bacs à légumes Garden Fresh™ ou le système Chiller Fresh™ ne se ferment pas facilement.

- Vérifier si un emballage empêche le tiroir de fermer correctement.
- S'assurer que le tiroir est en place.
- Nettoyer les cannelures du tiroir avec de l'eau tiède savonneuse. Rincer et sécher à fond.
- Appliquer une mince couche de gelée de pétrole dans les cannelures du tiroir.
- S'assurer que le réfrigérateur est de niveau.

Une odeur persiste dans le réfrigérateur.

- Voir les instructions "Suppression des odeurs" dans la section "Entretien et nettoyage".

Le réfrigérateur ou l'appareil à glaçons émet des sons peu familiers ou trop bruyants.

- Cela peut être normal. Voir la section "Bruits de fonctionnement normaux".

Mou de distributeur ne fonction(some models).

- Vérifier que la porte du congélateur est fermée. L'alimentation est coupée lorsque la porte du congélateur est ouverte.

Distributeur ne fonction(some models).

- Vérifier que la porte du congélateur est fermée.
- La commande est peut-être verrouillée. Appuyer sur le bouton **DISPENSER LOCK** et le maintenir enfoncé pendant 3 secondes.
- Vérifier que la porte du congélateur est fermée.
- La commande est peut-être verrouillée. Appuyer sur le bouton **DISPENSER LOCK** et le maintenir enfoncé pendant 3 secondes.

Lumière du filtre es rouge (some models).

- Le filtre à eau doit être remplacé. Si le filtre n'est pas disponible, le remplacer par un filtre de dérivation. Après avoir remplacé le filtre, appuyer sur le boutons **DISPENSER LOCK** et **AUTO LIGHT** simultanément pendant 4 secondes. Relâcher lorsque le voyant vert commence à clignoter.
- Le capteur du voyant de filtre doit être réinitialisé. Appuyer sur le boutons **DISPENSER LOCK** et **AUTO LIGHT** simultanément pendant 4 secondes. Relâcher lorsque le voyant vert commence à clignoter.

L'appareil à glaçons ne fabrique pas de glaçons.

- S'assurer que le bras de l'appareil à glaçons est tourné vers le bas.
- S'assurer que l'alimentation en eau domestique atteint la soupape d'eau.
- S'assurer que le faisceau de l'appareil à glaçons est complètement inséré dans les trous appropriés.
- Vérifier si le tuyau de plastique ou de cuivre comporte des entortillements. Les défaire ou remplacer le tuyau.
- Examiner les raccords électriques de la bobine de soupape d'eau et du bloc de raccordement sur le meuble du réfrigérateur.
- S'assurer que la section congélateur fonctionne à la température appropriée.

Conseils pour économiser l'énergie

L'appareil à glaçons ne produit pas suffisamment de glaçons ou ceux-ci ont une forme inadéquate.

- L'appareil à glaçons vient d'être installé ou une grande quantité de glaçons vient d'être utilisée. Attendre 24 heures que la production de glaçons recommence et l'appareil se remplisse après avoir été vidé.
- S'assurer que l'alimentation en eau se rend jusqu'au robinet et que le robinet d'arrêt est bien ouvert.
- Une soupape autotaraudeuse ou une soupape à bride de 3/16 po a été utilisée pour effectuer le raccordement. Ces soupapes font diminuer la pression d'eau et avec le temps, cela peut les obstruer. Remplacer ces soupapes par une soupape nécessitant le perçage d'un trou de 1/4 po dans la tuyau d'alimentation en eau avant de l'installer.
- Vérifier si les tuyaux en plastique ou en cuivre sont entortillés. Remplacer les tuyaux ou les redresser.
- S'assurer que la température du congélateur est adéquate. Celui-ci doit être assez froid pour produire des glaçons. Voir la rubrique *Réglage des commandes*.

Les glaçons dégagent une odeur.

- Voir les instructions "Suppression des odeurs" dans la section "Nettoyage et entretien".
- Jeter les glaçons et nettoyer le seau à glace ou les bacs à glaçons plus fréquemment. Les glaçons sont poreux et absorbent les odeurs facilement.

Les glaçons collent les uns aux autres ou "rétrécissent".

- Vider le seau à glace ou les bacs à glaçons plus fréquemment. Si on les laisse trop longtemps dans le congélateur, les glaçons collent les uns aux autres ou rétrécissent.

De la glace se forme dans le tuyau d'entrée de l'appareil à glaçons.

- Vérifier la pression d'eau. Une pression d'eau trop faible cause des fuites dans la soupape. Les soupapes autotaraudeuses font diminuer la pression d'eau.
Amana recommande l'usage d'un tuyau en cuivre pour raccorder la tuyauterie domestique au réfrigérateur. Ne pas utiliser de soupape autotaraudeuse. Amana n'est pas responsable des dommages matériels causés par une installation inadéquate ou un raccordement d'eau défectueux.

Le débit d'eau est moins fort qu'à l'habitude.

- Vérifier la pression d'eau. Une pression d'eau trop faible cause des fuites dans la soupape. Les soupapes autotaraudeuses font diminuer la pression d'eau.
Amana recommande l'usage d'un tuyau en cuivre pour raccorder la tuyauterie domestique au réfrigérateur. Ne pas utiliser de soupape autotaraudeuse. Amana n'est pas responsable des dommages matériels causés par une installation inadéquate ou un raccordement d'eau défectueux.

Cet appareil est conçu pour être l'un des réfrigérateurs les plus économiques en matière d'énergie sur le marché actuel. La mise en pratique des conseils suivants permet de réduire la consommation d'énergie.

- Faire fonctionner à la température ambiante normale se situant entre 55 et 110 °F (13 à 43 °C) loin des sources de chaleur et du soleil.
- Ne pas régler les commandes des systèmes réfrigérateur, congélateur et Chiller Fresh™ sur une température plus froide que nécessaire.
- Garder le compartiment congélateur toujours plein.
- Garder les joints de porte propres et flexibles. Remplacer les joints usés.
- Garder la bobine du condensateur propre.

Conseils pour les vacances

Procéder de la façon suivante avant de partir en vacances pour une courte durée.

1. Enlever les aliments périssables. **La garantie ne couvre pas la perte de nourriture.** Consulter le certificat de garantie pour connaître la couverture applicable.
2. Si un appareil à glaçons est installé, placer le bras de l'appareil à glaçons vers le haut en position arrêt.

Procéder de la façon suivante avant de partir en vacances pour une longue durée.

1. Vider les compartiments réfrigérateur et congélateur.
2. Débrancher le réfrigérateur.
3. Nettoyer le réfrigérateur et les joints de porte conformément aux instructions générales énoncées dans la section "Entretien et nettoyage".
4. Laisser les portes ouvertes afin que l'air circule librement à l'intérieur.
5. Si un appareil à glaçons est installé, fermer l'alimentation en eau du réfrigérateur et déplacer le bras de l'appareil à glaçons vers le haut en position arrêt.

Garantie Consulter le numéro de modèle sur la plaque signalétique pour vérifier la garantie du modèle.

La garantie s'applique aux numéros de modèle dont les trois premiers caractères sont ARS ou DRS et dont le septième caractère est le chiffre 7, 8 ou 9.

Garantie complète d'un an Garantie complète de cinq ans sur les composants du système hermétique et l'habillage du Garantie limitée de dix ans sur les composants du système hermétique

Première année

Amana s'engage à réparer ou à remplacer, sans frais, toute pièce qui s'avère défectueuse en raison du matériau ou de la main-d'œuvre.

Deuxième à cinquième année incluse

Amana s'engage à réparer ou à remplacer, sans frais, tout composant du système frigorifique scellé (compresseur, condenseur, évaporateur, condensateur, tubes de raccordement) et à réparer tout joint hermétique des compartiments à nourriture (sauf le joint hermétique de la porte) qui s'avère défectueux en raison du matériau ou de la main-d'œuvre.

Sixième à dixième année incluse

Amana fournira, sans aucun frais, une pièce de rechange, f.a.b. Amana, Iowa, pour tout composant du système hermétique (compresseur, condensateur, évaporateur et tuyau d'interconnexion) s'avérant défectueux en raison des matériaux ou de la main-d'œuvre.

Limites de la garantie

- Commence à la date de l'achat original.
- Exclut les cartouches originales et de rechange pour filtre à glace et à eau. Les cartouches originales et de rechange sont garanties pendant 30 jours (pièces seulement).
- Toute réparation doit être effectuée par un technicien agréé par Amana.
- Les dommages survenus pendant la manutention et l'expédition ne sont pas couverts par cette garantie.

La garantie est nulle et non avenue si

- La plaque du numéro de série est illisible.
- L'appareil est utilisé à des fins commerciales ou locatives.
- L'appareil est défectueux ou endommagé en raison d'un accident, d'une altération, d'un raccord à une mauvaise alimentation, d'un incendie, d'une inondation, d'un orage, de l'expédition et de la manipulation, ou d'autres circonstances indépendantes de la volonté d'Amana.
- L'appareil est utilisé ou installé de façon incorrecte.

Responsabilités du propriétaire

- Fournir une preuve d'achat (récépissé de vente).
- Procéder à l'entretien normal. Remplacer les composants tel qu'indiqué dans le manuel du propriétaire.
- Faciliter l'accès à l'appareil lors des réparations.
- Payer le supplément lorsque le technicien doit procéder à une réparation en dehors des heures d'ouverture normales.
- Payer les frais de visite relatifs à l'installation et à l'utilisation de l'appareil.

En aucun cas Amana n'est responsable des dommages indirects ou accessoires, notamment la perte de nourriture*.

* Cette garantie vous donne des droits légaux spécifiques et vous pourriez bénéficier d'autres droits qui varient selon l'état ou la province où vous demeurez. Par exemple, certains états ou provinces ne permettant pas l'exclusion ou la limitation des dommages indirects ou accessoires, cette exclusion ne s'applique pas forcément à votre cas.

Amana Appliance L.C.
2800 220th Trail
Amana, IA 52204-0001
1-800-843-0304 ou 1-319-622-5511

La garantie s'applique aux numéros de modèle dont les trois premiers caractères sont ARS ou DRS et dont le septième caractère est le chiffre 0, 1, 2, 3, 4, 5 ou 6.

Garantie complète d'un an Garantie complète de cinq ans sur les composants du système hermétique et l'habillage du compartiment pour la nourriture

Première année

Amana s'engage à réparer ou à remplacer, sans frais, toute pièce qui s'avère défectueuse en raison du matériau ou de la main-d'œuvre.

Deuxième à cinquième année incluse

Amana s'engage à réparer ou à remplacer, sans frais, tout composant du système frigorifique scellé (compresseur, condenseur, évaporateur, condensateur, tubes de raccordement) et à réparer tout joint hermétique des compartiments à nourriture (sauf le joint hermétique de la porte) qui s'avère défectueux en raison du matériau ou de la main-d'œuvre.

Warranty Limitations

- Commence à la date de l'achat original.
- Exclut les cartouches originales et de rechange pour filtre à glace et à eau. Les cartouches originales et de rechange sont garanties pendant 30 jours (pièces seulement).
- Toute réparation doit être effectuée par un technicien agréé par Amana.

La garantie est nulle et non avenue si

- La plaque du numéro de série est illisible.
- L'appareil est utilisé à des fins commerciales ou locatives.
- L'appareil est défectueux ou endommagé en raison d'un accident, d'une altération, d'un raccord à une mauvaise alimentation, d'un incendie, d'une inondation, d'un orage, de l'expédition et de la manipulation, ou d'autres circonstances indépendantes de la volonté d'Amana Refrigeration, Inc.
- L'appareil est utilisé ou installé de façon incorrecte.

Responsabilités du propriétaire

- Fournir une preuve d'achat (récépissé de vente).
- Procéder à l'entretien normal. Remplacer les composants tel qu'indiqué dans le manuel du propriétaire.

- Faciliter l'accessibilité à l'appareil lors des réparations.
- Payer le supplément lorsque le technicien doit procéder à une réparation en dehors des heures d'ouverture normales.
- Payer les frais de visite relativement à l'installation ou usage de l'appareil.

En aucun cas Amana n'est responsable des dommages indirects ou accessoires notamment la perte de nourriture*.

* Cette garantie vous donne des droits légaux spécifiques et vous pourriez bénéficier d'autres droits qui varient selon l'état ou la province où vous demeurez. Par exemple, certains états ou provinces ne permettant pas l'exclusion ou la limitation des dommages indirects ou accessoires, cette exclusion ne s'applique pas forcément à votre cas.

Amana Appliance L.C.
2800 220th Trail
Amana, IA 52204-0001
1-800-843-0304 ou 1-319-622-5511