



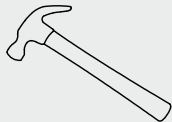
⚠ For installation help, missing or replacement parts -  
**PLEASE CONTACT KARRAN FIRST**

1-866-452-7726  
info@karran.com

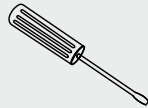
**Register Online:**

[www.karran.com/productregistration](http://www.karran.com/productregistration)

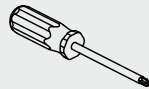
**Tools you may need:**



Hammer



Screwdriver



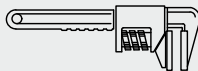
Phillips  
Screwdriver



Hacksaw



Plumber's Putty



Pipe Wrench

# Installation Guide

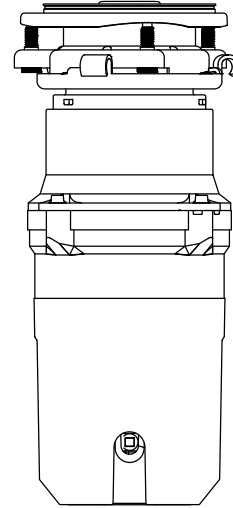


Image is for reference only

## 3 BOLT GARBAGE DISPOSAL KGD230, KGD250, KGD270, KGD290

Save this instruction sheet for future reference



We reserve the right to update product installation instructions without notice. Please visit [karran.com](http://karran.com) for the most current installation instructions.

REV. 01/21/2025

Karran USA - 1291 East Ramsey Rd, Vincennes, IN 47591 - T: 866.452.7726 F: 812.885.2440 - [www.karran.com](http://www.karran.com)

## Read these instructions thoroughly before you begin.



**WARNING** – When using electric disposers, basic precautions are always to be followed, including the following:

1. Read all the instructions before using the disposer.
2. To reduce the risk of injury, close supervision is required when a disposer is used near children.
3. Do not put fingers or hands into a disposer.
4. Turn the power switch to the off position before attempting to clear a jam or remove an object from the disposer.
5. When attempting to loosen a jam in a disposer, use a long wooden object such as a wooden spoon or the wooden handle of a broom or mop.
6. When attempting to remove objects from a disposer use long-handled tongs or pliers. For a disposer that is magnetically actuated, use nonmagnetic tools.
7. To reduce the risk of injury by materials that are expellable by a disposer, do not put the following into a disposer:
  - a. Clam or oyster shells.
  - b. Caustic drain cleaners or similar products.
  - c. Glass, porcelain, or plastic.
  - d. Large whole bones.
  - e. Metal, such as bottle caps, tin cans, or utensils
  - f. Hot grease or other hot liquids.
8. When not operating a disposer, leave the drain cover in place to reduce the risk of objects falling into the disposer.

## Grounding Instructions

This disposer must be grounded to reduce the risk of electric shock in the event of a malfunction or breakdown. Grounding provides a path of least resistance for electric current. This disposer is equipped with a cord having an equipment-grounding conductor and a grounding plug. The plug must be plugged into an outlet that is properly installed and grounded in accordance with all local codes and ordinances. **WARNING** – Improper connection of the equipment-grounding conductor can result in a risk of electric shock. Check with a qualified electrician or serviceman if you are in doubt as to whether the disposer is properly grounded. If the plug provided with the disposer does not fit the outlet, do not modify it.

## See insert for specific information about your new disposer

**NOTE:** This Food Waste Disposer has been designed to operate on 110 Volt, 60 Hz exclusively. Using any other voltage or Hz adversely affects performance.

**IMPORTANT:** Read all instructions thoroughly. Keep this guide for future reference.

**CAUTION:** Be sure to review SAFETY INSTRUCTIONS FIRST PERTAINING TO A RISK OF FIRE, ELECTRICAL SHOCK OR INJURY TO PERSONS before using disposer.

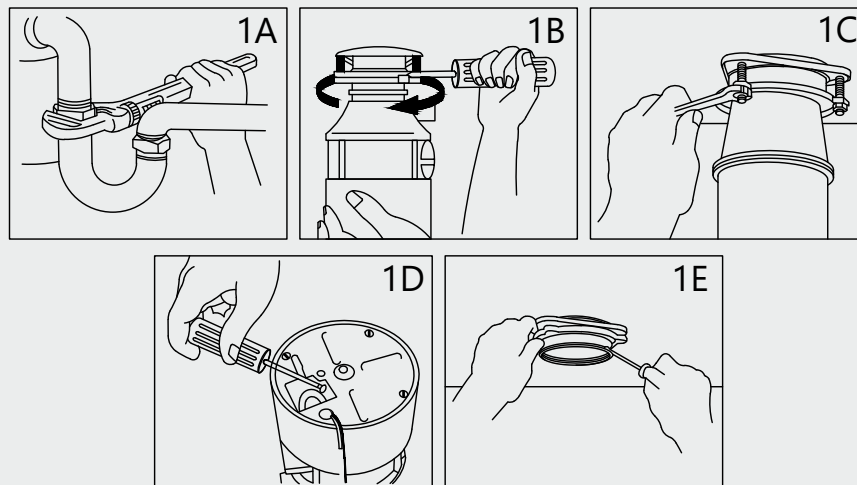
## Important Safety Instructions

### INSTRUCTIONS PERTAINING TO A RISK OF FIRE, ELECTRIC SHOCK OR INJURY TO PERSONS. SAVE THESE INSTRUCTIONS.

**WARNING** – When using electrical appliances, basic precautions should always be followed, including the following:

1. Read all instructions before using the appliance.
2. To reduce the risk of injury, close supervision is necessary when an appliance is used near children.
3. Do not put fingers or hands into a waste disposer.
4. Turn the power switch to the off position before attempting to clear a jam or remove an object from the disposer.
5. When attempting to loosen a jam in a waste disposer, use a long wooden object such as a wooden spoon or the wooden handle of a broom or mop.
6. When attempting to remove objects from a waste disposer use long-handled tongs or pliers. If the disposer is magnetically actuated, non-magnetic tools should be used.
7. To reduce the risk of injury by materials that may be expelled by a waste disposer, do not put the following into a disposer: clam or oyster shells; caustic drain cleaners or similar products; glass, porcelain or plastic; large whole bones; metal, such as bottle caps, tin cans, aluminum foil or utensils; hot grease or other hot liquids; whole cornhusks.
8. When not operating a disposer, leave the stopper (KPGDDS01) in place to reduce the risk of objects falling into the disposer.
9. DO NOT operate disposer unless splash guard (KPGDSG01) is in place. (Does not apply to the Top Control/Batch Feed units.)
10. For proper grounding instructions see the ELECTRICAL CONNECTION portion of this manual.

## 1



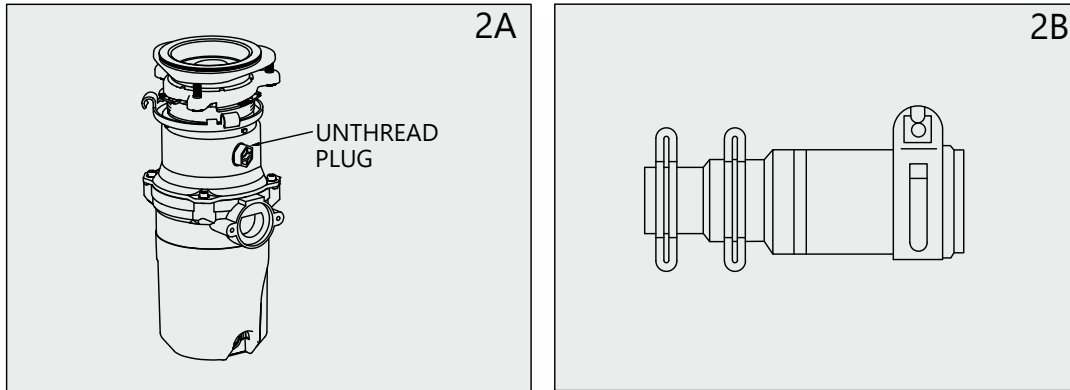
### Removal of Old Unit

Before starting this step, turn off electrical power at the circuit breaker or fuse box. If your old mount is the same as the mount on your new disposer, just reverse the assembly instructions found in section 3. If your new mount system is different, follow these instructions:

- A. Use a pipe wrench to disconnect drain line where it attaches to disposer discharge tube (see 1A).
  - B. Remove disposer from sink flange by turning mounting ring to the left clockwise (see 1B). If you are unable to turn the mounting ring, tap on one of the extensions from the ring with a hammer. Some mounting systems have tubular extensions. Inserting a screwdriver into one tube will provide additional leverage for turning the mount ring (see 1B). Some disposers may require the removal or loosening of nuts from the mounting screws (see 1C). Some disposers may require the removal of a clamp.
- CAUTION:** Be sure to support the disposer while performing this step or it may fall when the mounting ring is disconnected from the mounting assembly. If your disposer is hard wired (metal shielded cable not utilizing a wall plug), complete steps C and D. If you utilize a plug-in cord, go on to step E.
- C. When disposer is removed, turn up side down and remove electrical cover plate (see 1D).
  - D. Use screwdriver to remove green ground wire. Remove wire nuts from black and white power wires and separate disposer wires from power cable wires. Loosen screws on cable clamp and separate cable from disposer.
  - E. To remove remaining mount system from the sink, loosen mount screws, push mount ring up. Under it is the snap ring. Use screwdriver to pop off ring (see 1E). Remove mount ring, protector ring and gasket from sink flange. Some mounts will require the unscrewing of a large ring holding the sink flange in place. Pull sink flange up through sink and clean off old putty from sink.

**IMPORTANT:** Unless you have a new home, this is a good time to clean out the trap and drain lines by running a drain auger or plumber's snake before installing your new disposer.

## 2



### Dishwasher Connection

If you are utilizing a dishwasher, complete the following procedure. If dishwasher is not to be connected go on to section 3.

- A. Unthread the disposal plug (KPGDP01) on the inner body (see 2A).
- B. Connect dishwasher hose using the dishwasher connector with o-ring (KPGDDC01). If the hose size is different, you will need the provided dishwasher connector kit (KPGDDCK01) (see 2B). There are 3 sizes options in the connector - 21mm, 26mm and 31mm. Make sure all plumbing connections are tight and in accordance with all plumbing codes and ordinances.

## READ COMPLETELY BEFORE STARTING

**NOTE:** Pay close attention to the order of mount assembly parts, as they have been correctly assembled by the factory. Also, reference the cushion mount detail in illustration 3D below for the proper orientation of the cushion mount.

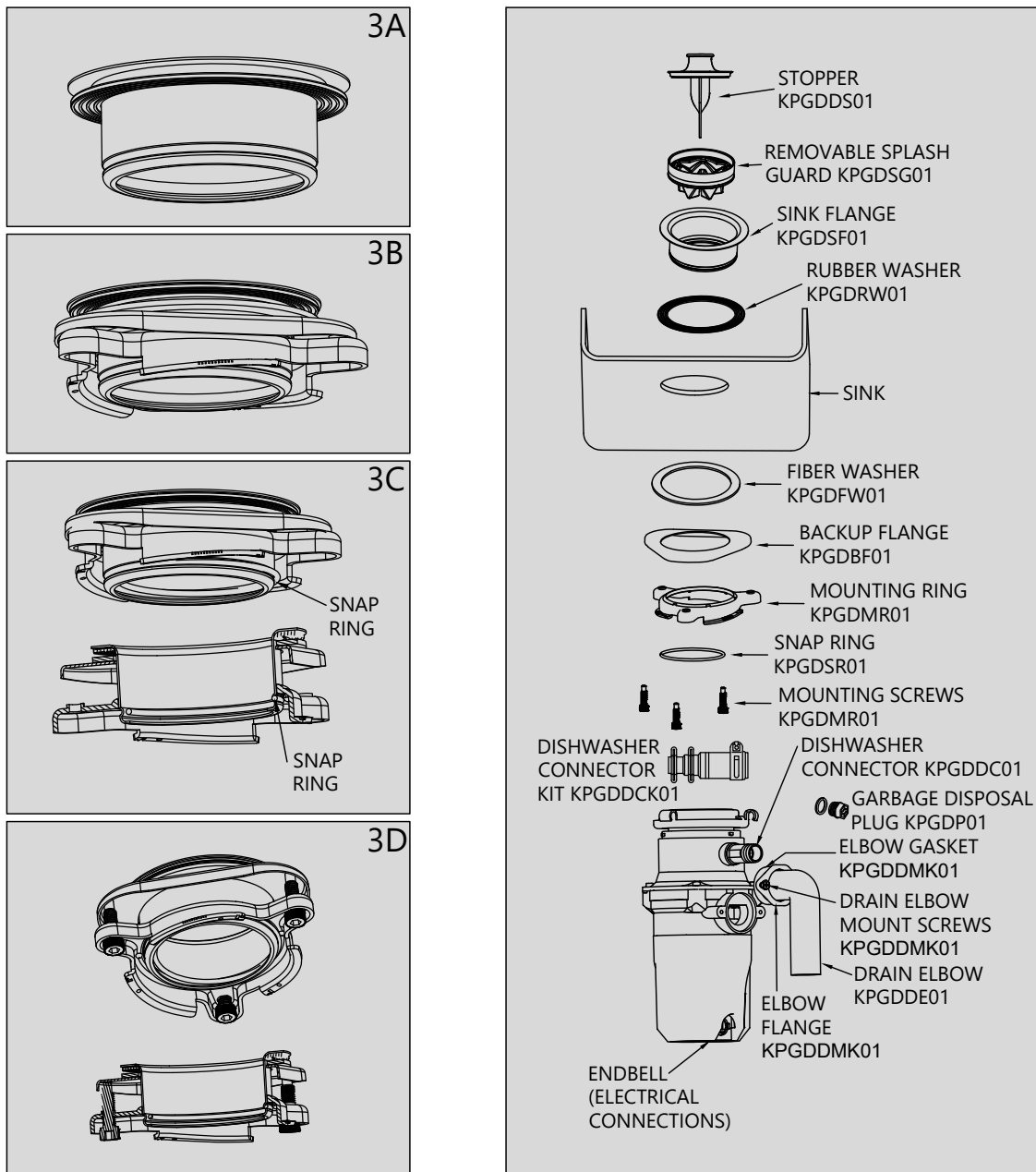
**NOTE:** Try practicing this assembly before you get under the sink to get the “feel” of how the parts fit together.

- A. Disassemble mount assembly from disposer by turning mounting ring (KPGDMR01) to the left (counterclockwise) and remove.
- B. Raise mounting ring (KPGDMR01) toward top of sink flange (KPGDSF01). Remove mounting seal ring. Remove mounting ring. You may want to practice installing the mounting seal ring at this point before you are under the sink. See paragraph H. Also see the “Important Notice: Mounting Seal Ring Detail.”
- C. Unscrew mounting nut from sink flange (KPGDSF01) and remove fiber washer (KPGDFW01). You are now left with sink flange and rubber washer (KPGDRW01).
- D. The rubber washer (KPGDRW01) is used instead of plumbers putty with stainless steel sinks. Other sinks will require putty.
- E. If no putty is used, insert sink flange (KPGDSF01) through rubber washer (KPGDRW01) into sink opening. Do not rotate sink flange once it is seated.
- F. If you use putty instead of the washer, form a ring around underside of sink flange. Insert flange into sink opening, press down hard to squeeze out excess putty. From under sink, trim off excess putty flush with bottom edge of sink opening.
- G. From underneath sink, slip fiber washer (KPGDFW01) onto exposed sink flange (KPGDSF01) (see 3A). With arrows pointing up, insert backup flange (KPGDBF01) and mounting ring (KPGDMR01) onto the sink flange (see 3B). Install the snap ring (KPGDSR01) onto the sink flange (see 3C). Hand tighten the screws until the sink flange will not move. Tighten mounting screws with the included hex wrench (KPGDHW01) (see 3D). At this point you may want to insert stopper (KPGDDS01) in sink and fill with water to check sink flange seal and insure there are no leaks.
- H. Place mounting ring (KPGDMR01) over sink flange (KPGDSF01) and hold in place while installing mounting seal ring (large side down) so the groove on the inside of mounting seal ring fits over lip on sink flange, similar to putting the lid on a plastic container (see 3B, 3C & 3D). Please read important notice below.

### Important Notice: Mounting Seal Ring Detail

When the mounting seal ring is installed correctly, the lip of the sink flange (KPGDSF01) fits into the groove on the inside of the mounting seal ring and mounting ring can be pulled downward over mounting seal ring and will be free to rotate. The bottom bead of the mounting seal ring acts as a gasket between the bottom of the sink flange and the top of the disposer. See illustration 3D.

## 3



### Installation of Mounting Assembly

- A. Install the sink flange (KPGDSF01) and rubber washer (KPGDRW01) (see 3A).
- B. Install the fiber washer (KPGDFW01), backup flange (KPGDBF01) and mounting ring (KPGDMR01) (see 3B).
- C. Install the snap ring (KPGDSR01) (see 3C).
- D. Screw in the 3 mounting screws (KPGDMR01) from the bottom (see 3D).

## Electrical Connections

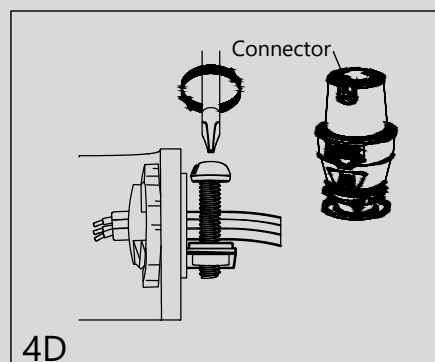
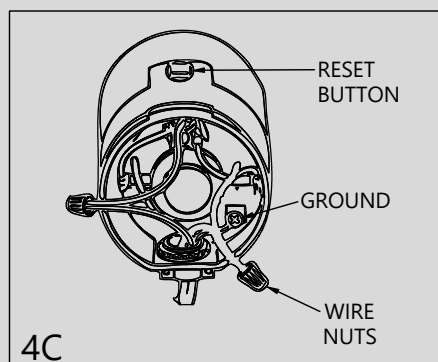
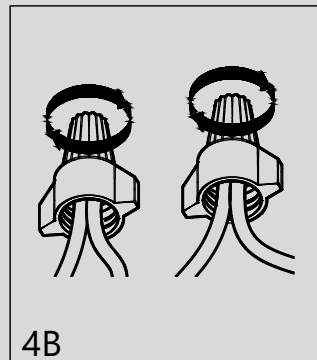
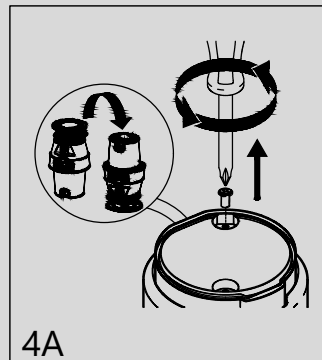
**IF YOU ARE NOT FAMILIAR WITH ELECTRICAL POWER AND PROCEDURES, CALL A QUALIFIED ELECTRICIAN.**

**WARNING:** Improper connection of the equipment grounding conductor can result in a risk of electric shock. Check with a qualified electrician or service man if you are in doubt as to whether the appliance is properly grounded. Do not modify the plug provided with the appliance if it will not fit the outlet, have a proper outlet installed by a qualified electrician.

The garbage disposal comes with the power cord installed. To remove the power cord and install the disposal hardwired please perform the following steps:

- A. After turning off the power supply, unscrew the two screws and remove the end plate (see 4A).
- B. Unscrew the wire nuts from the black and white wires (see 4B).
- C. Remove the ground nut and remove the green circular wire piece over the screw (see 4C).
- D. Loosen the strain relief connector on the side of the disposal and remove the wires through the connector (see 4D).

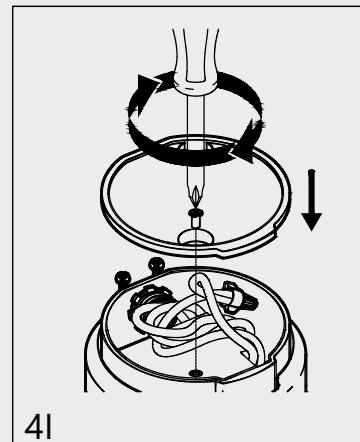
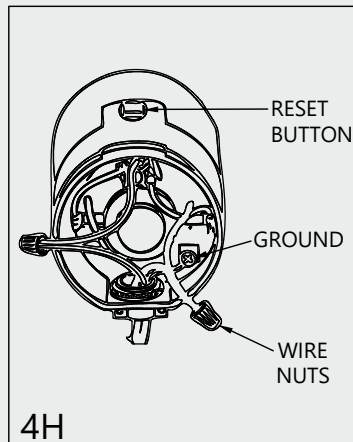
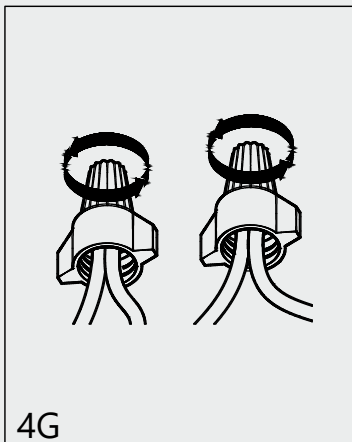
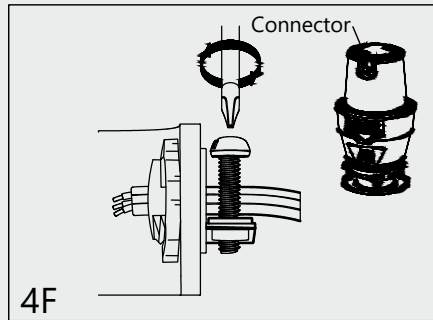
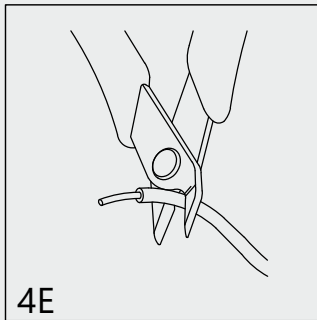
4



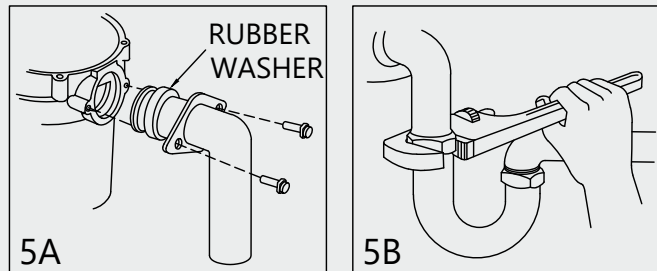
Now you are ready to hardwire.

- E. Strip the black and white insulation from the end of each wire (see 4E).
- F. Insert the wires through the strain relief connector, leaving enough wire through to work with. Tighten the connector (see 4F).
- G. Connect the disposal wire leads (black and white) to the corresponding wire leads of the power supply cable (see 4G).
- H. Remove the ground nut and place the green circular wire piece over the screw. Lock it in place by tightening the ground nut back on (see 4H).
- I. Set the wires back into the endbell and place the end plate back on. Tighten the two bolts (see 4I).

## 4



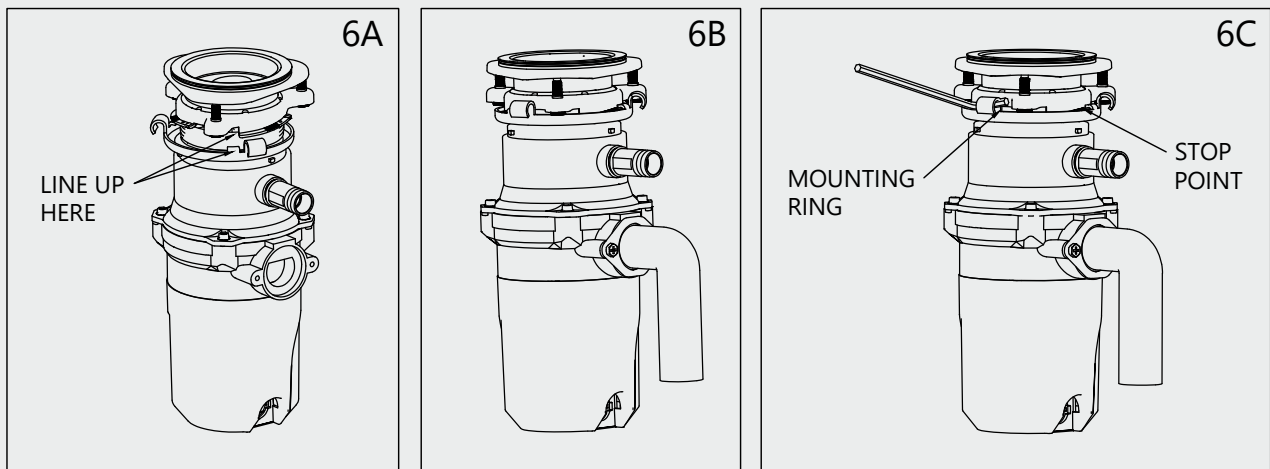
## 5



### Attaching Drain Elbow

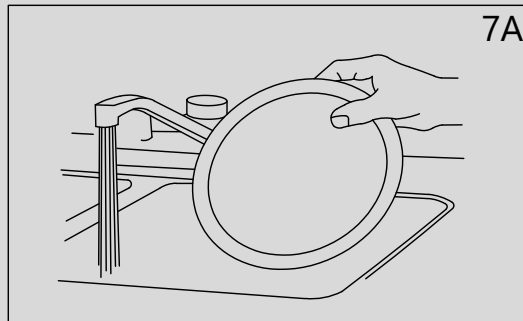
- A. Connect drain elbow (KPGDDE01) to the disposer (see 5A), proceed to step 6 and then connect bottom of the elbow by tightening the slip nut (see 5B).
- B. If you are connecting to a dishwasher, return to section 2B. If not, make sure all plumbing connections are tight and in accordance with all plumbing codes and ordinances. Run water and check for leaks.

## 6



### Connecting Disposer to Mount Assembly

- A. Line up disposer under mounting assembly (see 6A).
- B. Turn mounting ring (KPGDMR01) and disposer until drain elbow (KPGDDE01) lines up with trap (see 6B).
- C. Turn mounting ring (KPGDMR01) to the right (clockwise) until it locks up tight (see 6C).

**7**

### Operating Instructions

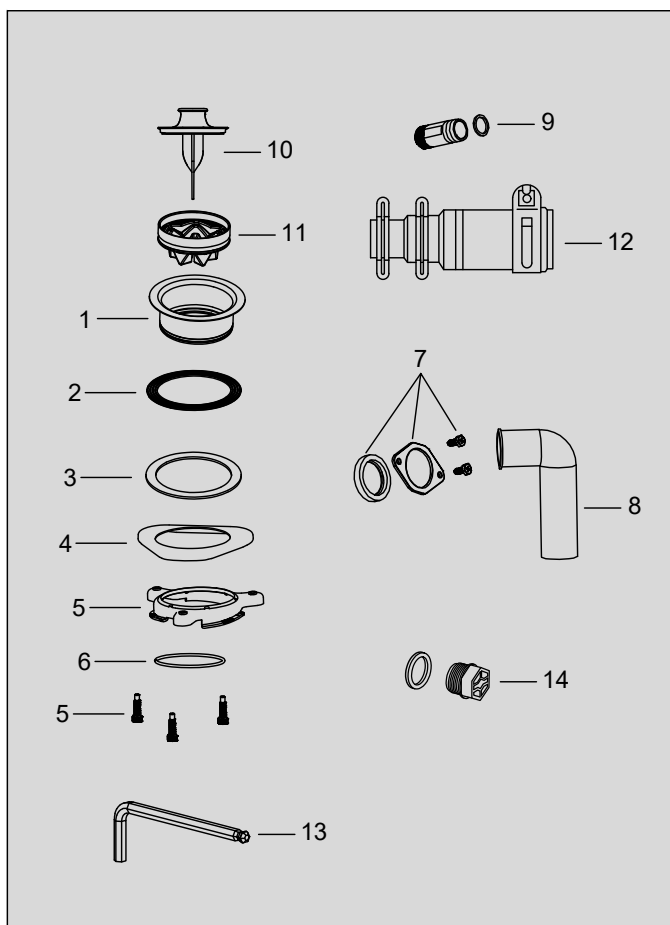
The Anti-Jam Swivel Impellers make a clicking sound as they swing into place. This indicates normal operation.

- A. Remove sink stopper (KPGDDS01). Turn on a medium flow of cold water and check for leaks.
- B. Turn switch to ON position; your motor is turning at full speed and ready to use.
- C. Scrape in food waste. Down the drain go table scraps, peelings, rinds, seeds, pits, small bones and coffee grounds. To speed up food waste disposal, cut or break up large bones, rinds and cobs. Large bones and fibrous husks require considerable grinding time and are more easily thrown away with other trash. Do not be alarmed that the disposer slows down while grinding. The disposer is actually increasing torque (grinding power) and is operating under normal conditions.
- D. Before turning disposer off, let water and disposer run for approximately 15 seconds after shredding stops. This assures that all waste is thoroughly flushed through trap and drain.
- E. It is not recommended to use hot water while running disposer. Cold water will keep waste and fats solid so disposer can flush away particles.

### TIPS FOR SUCCESSFUL OPERATION

- A. Be sure disposer is empty before using your dishwasher so it may drain properly.
- B. You may want to leave the stopper (KPGDDS01) in the drain when not in use to prevent utensils and foreign objects from falling into the disposer.
- C. Your disposer is ruggedly built to give you many years of trouble free service. It will handle all normal food wastes, but it will NOT grind or dispose of such items as plastic, tin cans, bottle caps, glass, china, leather, cloth, rubber, string, clam and oyster shells, aluminum foil or feathers.

## Replacement parts



Description	Item No.
1. Sink Flange	KPGDSF01
2. Rubber Washer	KPGDRW01
3. Fiber Washer	KPGDFW01
4. Backup Flange	KPGDBF01
5. Mounting Ring and Screws x 3	KPGDMR01
6. Snap Ring	KPGDSR01
7. Drain Elbow Mounting Kit	KPGDDMK01
8. Drain Elbow	KPGDDE01
9. ABS Dishwasher Connector w/ O-Ring	KPGDDC01
10. Drain Stopper/Pusher	KPGDDS01
11. Splash Guard	KPGDSG01
12. Dishwasher Connector Kit	KPGDDCK01
13. Hex Wrench	KPGDHW01
14. Garbage Disposal Plug*	KPGDP01

\* Garbage disposal plug comes already installed

## Troubleshooting

Before seeking repair or replacement, we recommend that you review the following:

**LOUD NOISES:** (Other than those during grinding of small bones and fruit pits): These are usually caused by accidental entry of a spoon, bottle cap or other foreign objects. To correct this, turn off electrical switch and water. After disposer has stopped, remove \*splash guard (KPGDSG01), remove object with long handled tongs, and replace \*splash guard.

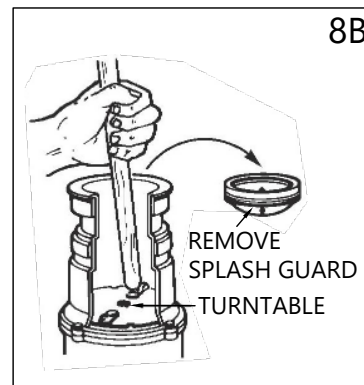
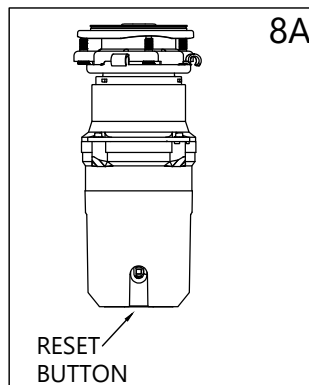
**UNIT DOES NOT START:** Unplug power cord or turn either the wall switch or breaker box switch to "°OFF"± position, depending on your model and wiring configuration. Remove stopper (KPGDDS01) and/or \*splash guard. Check to see if turntable will rotate freely using a wooden broom handle. If turntable rotates freely, replace \*splash guard and check re-set button to see if it has been tripped. Re-set button is red and located opposite discharge elbow, near the bottom (see 8A). Push button in until it clicks and remains depressed. If re-set button has not been tripped, check for shorted or broken wire connecting to disposer. Check electrical power switch, fuse box or circuit breaker. If wiring and electrical components are intact, the unit may have internal problems that require service or replacement.

\* - Splash guard not used on Top Control/Batch Feed unit.

**IF TURNTABLE DOES NOT ROTATE FREELY:** Turn off disposer, then check for any foreign objects lodged between the turntable and grind ring. Dislodge object by rotating table with a wooden broom handle and remove object (see 8B). If no foreign object is present, there may be internal problems.

**LEAKS:** If the unit leaks at the top, it may be due to:

1. Improper seating of sink flange (KPGDSF01) (gasket centering, putty or tightening).
2. Support ring not tightened properly.
3. Defective or improperly installed cushion mount. If unit leaks at the waste elbow, leak may be due to improper tightening of elbow flange screws.



## Cleaning and Maintenance

### **DO NOT ATTEMPT TO LUBRICATE YOUR DISPOSER!**

The motor is permanently lubricated. The disposer is self cleaning and scours its internal parts with each use. **NEVER** put lye or chemical drain cleaners into the disposer, as they cause serious corrosion of metal parts. If used, resulting damage can be easily detected and all warranties are void. Mineral deposits from your water can form on the stainless steel turntable, giving the appearance of rust. **DO NOT BE ALARMED**, the stainless steel turntables used will not corrode.



## Warranty - 5 Year Limited

### Products Subject to this Limited Warranty

This Warranty applies only to Food Waste Disposer models KGD230 and KGD250 manufactured and sold by Karran USA (the "Company") (the "Products").

### Who is Entitled to this Warranty

The Company grants this Warranty solely in favor of the original purchaser of the Products (the "Original Purchaser"), but to no other person or entity whatsoever. No person or entity, other than the Original Purchaser, shall have any right to assert any claim under this Warranty, or otherwise, in connection with the Products. This Warranty is personal to the Original Purchaser and may not be transferred by the Original Purchaser to any other person or entity, by contract, operation of law, transfer of the property into which the Products are installed, or otherwise.

### Commercial Warranty

The Company warrants its Products for a period of (1) year to commercial purchasers of Products used in industrial, commercial and business applications.

### Length of this Warranty

This Warranty shall begin on the date the Products are purchased from an authorized Company dealer. The design and manufacture of the product are warranted to be free from defects in material and workmanship under normal usage for a period of **five (5) years** from the date of purchase (such period of time, the "Warranty Period"), after which this Limited Warranty shall expire and be of no further force or effect. Proof of purchase is required for all warranty claims. THIS LIMITED WARRANTY IS IN LIEU OF ALL OTHER WARRANTIES, EXPRESS OR IMPLIED, INCLUDING BUT NOT LIMITED TO THE IMPLIED WARRANTIES OF FITNESS FOR A PARTICULAR PURPOSE AND MERCHANTABILITY.

**Please note that some states/provinces (including Quebec) do not allow limitations on how long an implied warranty lasts, so the below limitations may not apply to you. TO THE MAXIMUM EXTENT PERMITTED BY APPLICABLE LAW, ANY IMPLIED WARRANTY, INCLUDING THE IMPLIED WARRANTIES OF MERCHANTABILITY AND OF FITNESS FOR A PARTICULAR PURPOSE, IS LIMITED TO THE STATUTORY PERIOD OR THE DURATION OF THIS WARRANTY, WHICHEVER IS SHORTER.**

### What is Warranted

Subject to the conditions and limitations set forth in this Warranty, the Company warrants to the Original Purchaser that during the Warranty Period the Products will be free from manufacturing and design defects when used under normal conditions and maintained properly.

### What the Company Will Do

In the event that any Product fails to comply with this Warranty, the Company will, free of any cost to you:

1. Provide a replacement part, or component that proves to be defective, or
  - A. If the product cannot be economically repaired, replace the product with the same or a comparable product, or
  - B. If the same or a comparable model product is not available, make a reasonable monetary adjustment, taking into account the age of the defective product; provided that
  - C. In no event will our liability exceed the price you paid for the product (including tax and shipping).
2. We will pay all shipping costs of returning a product to us for inspection (if we make that request) and of sending replacement parts, components, or products to you.

THE FOREGOING DESCRIBES THE COMPANY'S SOLE LIABILITY, AND THE ORIGINAL PURCHASER'S SOLE REMEDY, FOR ANY BREACH OF WARRANTY IN RESPECT OF THE PRODUCTS. THE COMPANY SHALL NOT BE LIABLE FOR, ANY SPECIAL, INCIDENTAL OR CONSEQUENTIAL DAMAGES (INCLUDING LABOR CHARGES TO REPAIR, REPLACE, INSTALL OR REMOVE THIS PRODUCT), WHETHER ARISING OUT OF BREACH OF ANY EXPRESS OR IMPLIED WARRANTY, BREACH OF CONTRACT, TORT, OR OTHERWISE.

### How to Make a Claim

To make a claim under this Warranty, the Original Purchaser must notify the Company in writing or by phone of any claimed defect in a Product. Such notice must be given promptly following discovery of the claimed defect and in any event prior to the expiration of the applicable Warranty Period. The Original Purchaser must submit with such notice proof of purchase and proof of the date of purchase of the Product claimed to be defective. Notification shall be provided to:

Email: warranty@karran.com      USPS  
Phone: 866-452-7726      Karran USA  
   Attention: CLAIMS  
   PO Box 667  
   Vincennes, IN 47591

The Company shall then promptly inspect, by means of digital photography or video supplied by the customer, the claimed defect and if such examination does disclose a defect covered by this warranty, shall, within thirty (30) days after inspection replace or repair the defective Product (as it shall elect in its sole and absolute discretion), subject to the terms set forth above.

### Limitations

1. The Company shall not be liable under this Warranty for any of the following:
  - A. Accidents; abuse; misuse; negligence; lack of or improper cleaning or maintenance; damage from incorrect installation or mounting (other than by an authorized service professional) such as electrical connections due to improper installation, leaks at the sink flange, dishwasher inlet or discharge elbow, or damage from excessive torquing of manufacturer's screws; any operation inconsistent with Karran's recommendations and instructions that are generally available in Karran's Product Owner's Guide.. NOTE: to reduce the risk of damage to the Products and personal injury, do not put into the Product items such as large whole bones, clams or oyster shells, whole corn husks, glass, china, plastic, metal such as bottle caps, tin, aluminum foil, utensils, hot grease, or other hot liquids. READ INSTALLATION AND USE INSTRUCTIONS CAREFULLY BEFORE INSTALLATION AND USE. AND NOTE further: DO NOT attempt to lubricate your Product and NEVER put lye or caustic chemical drain cleaners into the Product, as they are considered improper maintenance and may cause corrosion of metal parts which damage will be detectable and not covered by this warranty.
  - D.Excessive wear beyond normal wear and tear from private household use; damage from fire, flood, or other acts of God.
  - E. Outdoor installations or use with yard or planting debris or soil.
  - F.Repair or replacement service performed by other than by an authorized service professional.
  - G.Removal of any other materials (such as sinks, counters, tiles, flooring or other plumbing fixtures), reinstallation, refinishing, or additional labor if and to the extent required or provided by an authorized service professional in order to repair or replace the Product or part under warranty.
  - H.Installations in commercial, industrial, or investment property, or in multi-resident facilities except to purchasers who qualify as Residential Consumers or Commercial Holders, as defined above.
  - I. Damage to the Products caused by alteration after completion of their installation by anyone who is not authorized by the Company in writing, whether such alteration be by structural additions, changes, replacements or by equipment installation.
  - J. This warranty does not cover Products that were discontinued when purchased or display Products, whether such Products were purchased at discount outlets, unauthorized dealers, and/or sold on clearance. This warranty does not cover any free gifts included with purchase.
2. IN NO EVENT SHALL THE COMPANY BE LIABLE FOR CONSEQUENTIAL OR INCIDENTAL DAMAGES OF ANY KIND, INCLUDING, BUT NOT LIMITED TO, ANY DAMAGE TO THE PROPERTY IN WHICH A PRODUCT IS INSTALLED, ITS CONTENTS OR ANY PERSON THEREIN. NO FIELD REPRESENTATIVE, DISTRIBUTOR OR DEALER OF THE COMPANY IS AUTHORIZED TO MAKE ANY CHANGE OR MODIFICATION TO THIS LIMITED WARRANTY. SOME STATES/PROVINCES (INCLUDING QUEBEC) MAY NOT ALLOW LIMITATIONS ON OR THE EXCLUSION OF INCIDENTAL OR CONSEQUENTIAL DAMAGES, SO THE ABOVE EXCLUSIONS MAY NOT APPLY TO YOU.

The invalidity, illegality or unenforceability of any one or more provisions of this Limited Warranty shall in no way affect or impair the validity, legality or enforceability of the remaining provisions, which shall remain in full force and effect.

### Legal Remedies

This warranty gives you specific legal rights, and you may also have other rights which vary from state to state and province to province.

01-29-2025





## Warranty - 10 Year Limited

### Products Subject to this Limited Warranty

This Warranty applies only to Food Waste Disposer models KGD270 and KGD290 manufactured and sold by Karran USA (the "Company") (the "Products").

### Who is Entitled to this Warranty

The Company grants this Warranty solely in favor of the original purchaser of the Products (the "Original Purchaser"), but to no other person or entity whatsoever. No person or entity, other than the Original Purchaser, shall have any right to assert any claim under this Warranty, or otherwise, in connection with the Products. This Warranty is personal to the Original Purchaser and may not be transferred by the Original Purchaser to any other person or entity, by contract, operation of law, transfer of the property into which the Products are installed, or otherwise.

### Commercial Warranty

The Company warrants its Products for a period of (1) year to commercial purchasers of Products used in industrial, commercial and business applications.

### Length of this Warranty

This Warranty shall begin on the date the Products are purchased from an authorized Company dealer. The design and manufacture of the product are warranted to be free from defects in material and workmanship under normal usage for a period of **ten (10) years** from the date of purchase (such period of time, the "Warranty Period"), after which this Limited Warranty shall expire and be of no further force or effect. Proof of purchase is required for all warranty claims. THIS LIMITED WARRANTY IS IN LIEU OF ALL OTHER WARRANTIES, EXPRESS OR IMPLIED, INCLUDING BUT NOT LIMITED TO THE IMPLIED WARRANTIES OF FITNESS FOR A PARTICULAR PURPOSE AND MERCHANTABILITY.

**Please note that some states/provinces (including Quebec) do not allow limitations on how long an implied warranty lasts, so the below limitations may not apply to you. TO THE MAXIMUM EXTENT PERMITTED BY APPLICABLE LAW, ANY IMPLIED WARRANTY, INCLUDING THE IMPLIED WARRANTIES OF MERCHANTABILITY AND OF FITNESS FOR A PARTICULAR PURPOSE, IS LIMITED TO THE STATUTORY PERIOD OR THE DURATION OF THIS WARRANTY, WHICHEVER IS SHORTER.**

### What is Warranted

Subject to the conditions and limitations set forth in this Warranty, the Company warrants to the Original Purchaser that during the Warranty Period the Products will be free from manufacturing and design defects when used under normal conditions and maintained properly.

### What the Company Will Do

In the event that any Product fails to comply with this Warranty, the Company will, free of any cost to you:

1. Provide a replacement part, or component that proves to be defective, or
  - A. If the product cannot be economically repaired, replace the product with the same or a comparable product, or
  - B. If the same or a comparable model product is not available, make a reasonable monetary adjustment, taking into account the age of the defective product; provided that
  - C. In no event will our liability exceed the price you paid for the product (including tax and shipping).
2. We will pay all shipping costs of returning a product to us for inspection (if we make that request) and of sending replacement parts, components, or products to you.

THE FOREGOING DESCRIBES THE COMPANY'S SOLE LIABILITY, AND THE ORIGINAL PURCHASER'S SOLE REMEDY, FOR ANY BREACH OF WARRANTY IN RESPECT OF THE PRODUCTS. THE COMPANY SHALL NOT BE LIABLE FOR, ANY SPECIAL, INCIDENTAL OR CONSEQUENTIAL DAMAGES (INCLUDING LABOR CHARGES TO REPAIR, REPLACE, INSTALL OR REMOVE THIS PRODUCT), WHETHER ARISING OUT OF BREACH OF ANY EXPRESS OR IMPLIED WARRANTY, BREACH OF CONTRACT, TORT, OR OTHERWISE.

### How to Make a Claim

To make a claim under this Warranty, the Original Purchaser must notify the Company in writing or by phone of any claimed defect in a Product. Such notice must be given promptly following discovery of the claimed defect and in any event prior to the expiration of the applicable Warranty Period. The Original Purchaser must submit with such notice proof of purchase and proof of the date of purchase of the Product claimed to be defective. Notification shall be provided to:

Email: warranty@karran.com	USPS
Phone: 866-452-7726	Karran USA
	Attention: CLAIMS
	PO Box 667
	Vincennes, IN 47591

The Company shall then promptly inspect, by means of digital photography or video supplied by the customer, the claimed defect and if such examination does disclose a defect covered by this warranty, shall, within thirty (30) days after inspection replace or repair the defective Product (as it shall elect in its sole and absolute discretion), subject to the terms set forth above.

### Limitations

1. The Company shall not be liable under this Warranty for any of the following:
  - A. Accidents; abuse; misuse; negligence; lack of or improper cleaning or maintenance; damage from incorrect installation or mounting (other than by an authorized service professional) such as electrical connections due to improper installation, leaks at the sink flange, dishwasher inlet or discharge elbow, or damage from excessive torquing of manufacturer's screws; any operation inconsistent with Karran's recommendations and instructions that are generally available in Karran's Product Owner's Guide. NOTE: to reduce the risk of damage to the Products and personal injury, do not put into the Product items such as large whole bones, clams or oyster shells, whole corn husks, glass, china, plastic, metal such as bottle caps, tin, aluminum foil, utensils, hot grease, or other hot liquids. READ INSTALLATION AND USE INSTRUCTIONS CAREFULLY BEFORE INSTALLATION AND USE. AND NOTE further: DO NOT attempt to lubricate your Product and NEVER put lye or caustic chemical drain cleaners into the Product, as they are considered improper maintenance and may cause corrosion of metal parts which damage will be detectable and not covered by this warranty.
  - B. Excessive wear beyond normal wear and tear from private household use; damage from fire, flood, or other acts of God.
  - C. Outdoor installations or use with yard or planting debris or soil.
  - D. Repair or replacement service performed by other than by an authorized service professional.
  - E. Removal of any other materials (such as sinks, counters, tiles, flooring or other plumbing fixtures), reinstallation, refinishing, or additional labor if and to the extent required or provided by an authorized service professional in order to repair or replace the Product or part under warranty.
  - F. Installations in commercial, industrial, or investment property, or in multi-resident facilities except to purchasers who qualify as Residential Consumers or Commercial Holders, as defined above.
  - G. Damage to the Products caused by alteration after completion of their installation by anyone who is not authorized by the Company in writing, whether such alteration be by structural additions, changes, replacements or by equipment installation.
  - H. This warranty does not cover Products that were discontinued when purchased or display Products, whether such Products were purchased at discount outlets, unauthorized dealers, and/or sold on clearance. This warranty does not cover any free gifts included with purchase.
2. IN NO EVENT SHALL THE COMPANY BE LIABLE FOR CONSEQUENTIAL OR INCIDENTAL DAMAGES OF ANY KIND, INCLUDING, BUT NOT LIMITED TO, ANY DAMAGE TO THE PROPERTY IN WHICH A PRODUCT IS INSTALLED, ITS CONTENTS OR ANY PERSON THEREIN. NO FIELD REPRESENTATIVE, DISTRIBUTOR OR DEALER OF THE COMPANY IS AUTHORIZED TO MAKE ANY CHANGE OR MODIFICATION TO THIS LIMITED WARRANTY. SOME STATES/PROVINCES (INCLUDING QUEBEC) MAY NOT ALLOW LIMITATIONS ON OR THE EXCLUSION OF INCIDENTAL OR CONSEQUENTIAL DAMAGES, SO THE ABOVE EXCLUSIONS MAY NOT APPLY TO YOU.

The invalidity, illegality or unenforceability of any one or more provisions of this Limited Warranty shall in no way affect or impair the validity, legality or enforceability of the remaining provisions, which shall remain in full force and effect.

### Legal Remedies

This warranty gives you specific legal rights, and you may also have other rights which vary from state to state and province to province.

01-29-2025

