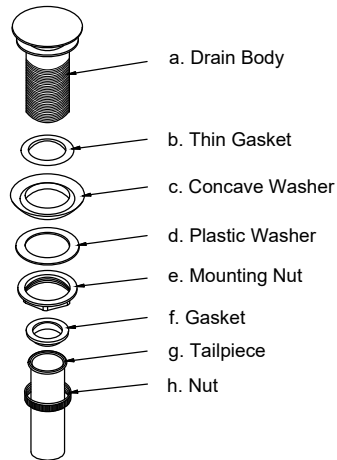
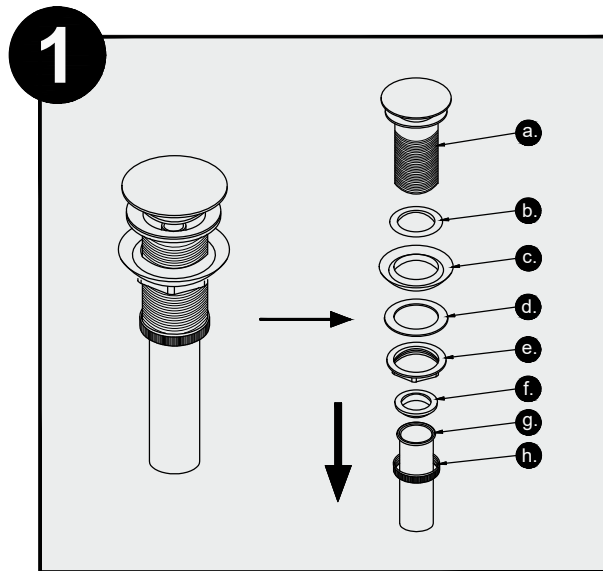
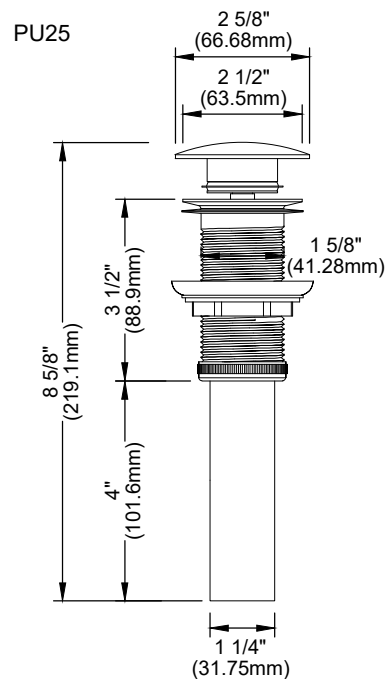


Installation Instructions

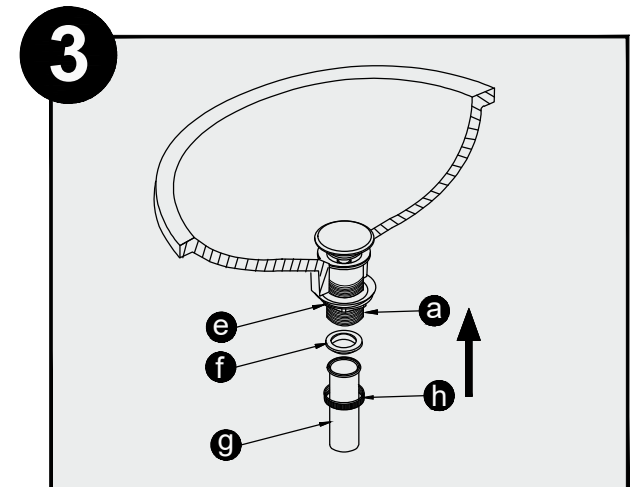
PU25 - DIAGRAM AND PARTS BREAKDOWN



SPECIFICATIONS

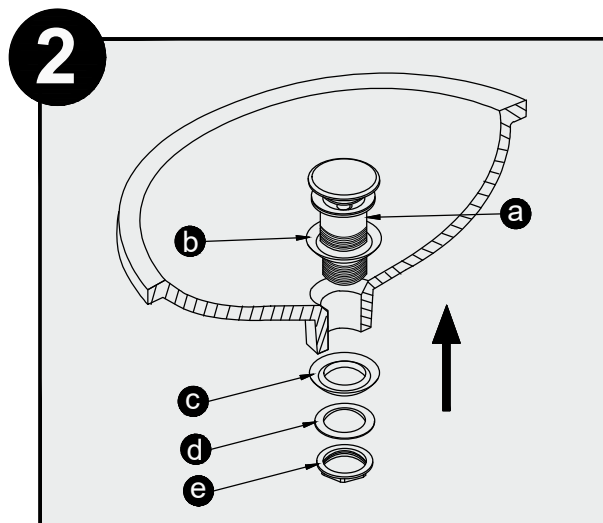


Begin by removing the nut (h), tailpiece (g), mounting nut (e), plastic washer (d) and concave washer (c) from the drain body (a).

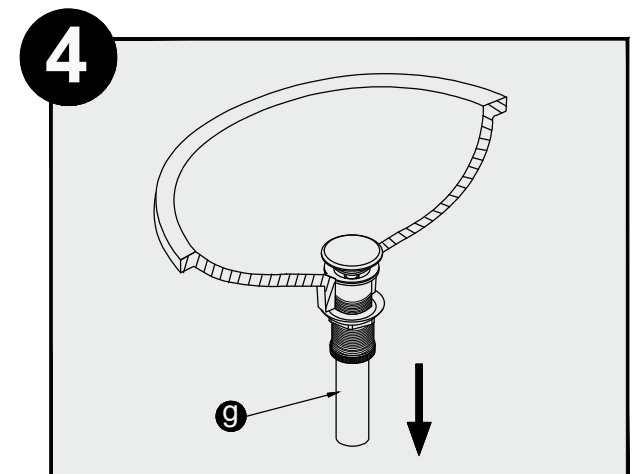


Tighten the mounting nut (e) with an adjustable wrench until snug. Thread the nut (h) with the tailpiece (g) attached, onto the drain body (a) and hand tighten.

NOTE: Make sure the tailpiece gasket (f) is installed into the tailpiece.




Install the drain body (a), with the thin gasket (b) attached, into the drain hole of the vanity bowl. From underneath the bowl, attach concave washer (c) (narrow end facing up), plastic washer (d) and mounting nut (e) to the drain body (a).



Connect the tailpiece (g) to the p-trap.

CARE & MAINTENANCE INSTRUCTIONS

To keep your drain clean & functioning correctly, please follow these steps below:

1. Rinse with clean water & dry with a soft cloth.
2. Do not clean with acid, polish, abrasives or harsh cleaners on your drain.
3. Do not  abrasive scouring pads.