

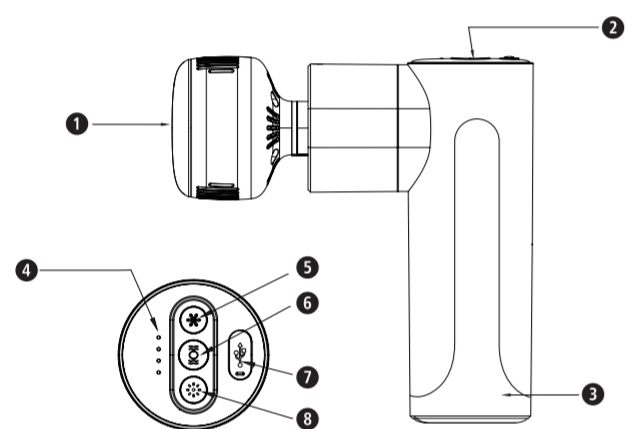
Portable Fascia Power Gun with Hot & Cold Massage RG 220



Instruction Manual

Please read carefully!

GB Device and Controls



Explanation of symbols



IMPORTANT
Non-observance of these instructions can result in serious injury or damage to the device.



WARNING
These warning notes must be observed to prevent any injury to the user.



CAUTION
These notes must be observed to prevent any damages to the device.



NOTE
These notes give you useful additional information on the installation or operation.



LOT number



Serial number



Manufacturer



Date of manufacture

GB Safety instructions



Read the instruction manual carefully before using this device, especially the safety instructions, and keep the instruction manual for future use. Should you give this device to another person, it is vital that you also pass on these instructions for use. This instruction belongs to this device. It contains important information about starting up and operation. Read the instruction manual thoroughly.



These notes give you useful additional information on the installation or operation.

- Connect the device for charging only in that way, so that the power plug is freely accessible.
- Always switch off the appliance after use with the function button.
- To disconnect the unit from the power supply, always pull the plug out of the socket. Do not pull on the cable!
- Do not carry, pull or twist the device on the cable or the power supply unit.
- You must not continue to use the unit if the lead or the mains adaptor are damaged. For safety reasons, these parts may only be replaced by authorized service personnel. In order to prevent hazards, always send the unit in to the service center.
- Ensure that the cable will not cause tripping. The cable must not be kinked, trapped or twisted.
- This appliance can be used by adult only and persons with reduced physical, sensory or mental capabilities or lack of experience and knowledge if they have been given supervision or instruction concerning use of the appliance in a safe way and understand the hazards involved.
- Do not use this unit to supplement or replace medical treatment.
- Chronic complaints and symptoms may be made worse.
- Do not use the appliance near organs or near any other sensitive areas.
- If you experience any pain or discomfort during the massage, stop immediately and consult your doctor.
- Before using the device, consult your doctor regarding any unexplained pain. If you are undergoing medical treatment or using medical equipment.

Before Using the Unit

- ⚠ The device is not to be used for commercial use or medical purposes.
- 👨‍⚕️ If you have health concerns, consult your doctor before using the device.
- 🏠 Only use indoors! Do not use the device in damp rooms (e.g. when bathing or showering)

- The device must only be used for its intended purpose as described in the instruction manual.
- Using the unit for any other purpose invalidates warranty.
- Do not use the appliance while you are asleep or when you are lying in the bed.
- Do not use the appliance before going to sleep. The massage has a stimulating effect.
- Never use the appliance while driving a vehicle or operating a machine.
- The maximum operating time for one session with vibration is 15 minutes.
- After this time is exceeded, the product automatically switches off.
- Let the motor cool-down for several minutes, before you switch on the product again.
- Never leave the unit unattended if it is connected to the power supply (for charging the batteries).
- Do not allow the appliance to come into contact with pointed or sharp objects.
- Do not cover up the appliance when it is switched on. Never use it under blankets or cushions. There is a risk of fire, electric shock or injury.
- The integrated batteries are not designated for exchange or removal by the end user. If problems with the power supply should occur, contact the service center.
- You may only clean the device yourself. If the device malfunctions, please do not repair it yourself as this leads to the automatic expiry of all guarantee rights. Ask your specialist dealer and have repairs carried out by the service.
- Cleaning and user maintenance shall not be made by children without supervision.
- Do not immerse the device in water or other fluids.
- If, nonetheless, liquid should penetrate the device, switch it off immediately and unplug the mains cable if it was connected. Wait until the appliance has dried completely.

Unit and Display

Main unit

- 1 Massage head
- 2 Control panel
- 3 Battery compartment

Control panel

- 4 LED battery indicator
- 5 Cold massage on/off button
- 6 Vibration on/off button
- 7 Charging port
- 8 Hot massage on/off button

Massage head

- 9 Hot & cold massage head
- 10 Cylindrical massage head
- 11 Ball massage head
- 12 Shovel massage head
- 13 Bow massage head
- 14 Flat massage head
- 15 U-shaped massage head

Scope of supply

Please check first of all that the device is complete and is not damaged in any way. In case of doubt, do not use it and contact your dealer or your service center. The packing is being reused or recycled. Please dispose properly of any packaging material no longer required. If you notice any transport damage during unpacking, please contact your dealer without delay.

The following parts are included:

- 1 **medisana** Portable Fascia Power Gun with Hot & Cold Massage **RG 220**
- 1 Hot & cold massage head
- 1 Cylindrical massage head
- 1 Bow massage head
- 1 U-shaped massage head
- 1 Portable storage case
- 1 Ball massage head
- 1 Shovel massage head
- 1 Flat massage head
- 1 USB to Type-C charge cable
- 1 instruction manual

Please contact your supplier if you notice any transport damage on unpacking the unit.

WARNING

Please ensure that polythene packing is kept away from the reach of children! Risk of suffocation!

Portable Fascia Power Gun with Hot & Cold Massage is a device for deeply relaxing muscular fascia and suitable for a physical massage after exercise and fitness. It can alleviate stiffness and ache of muscles, relieve muscle fatigue, and accelerate blood circulation to improve the soft tissue of the body.

CAUTION

Make sure that the maximum operating time of 15 minutes.

Operating instruction

- Use only on a dry surface of the body over clothing by lightly pressing and moving across the body for approximately 60 seconds per region.
- Use only on the body's soft tissue as desired without producing pain or discomfort. Do not sure on the head or any hard or bony area of the body.
- Use only the applicators that provide the best-desired effect.
- Bruising can occur regardless of control setting or pressure applied. Check treated areas frequently and immediately stop at first sign of pain or discomfort.
- Keep fingers, hair, or any other body part away from the shaft and backside of the applicator as pinching may occur.
- Do not place any objects into the ventilation holes of the device.
- Do not immerse in water or allow water to enter the ventilation holes of the device.
- Do not drop or misuse the device.
- Only recharge with input voltage: 5V, 2A.
- Never leave the device operating or charging unattended.

WARNING

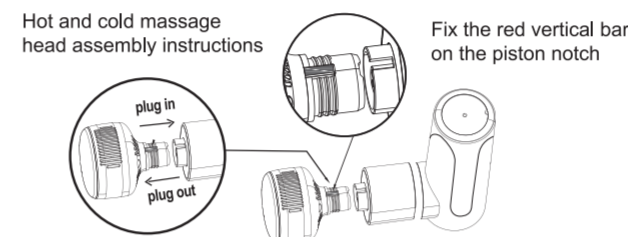
This product is not suitable for use by people (including children) with reduced physical, sensory or mental capabilities, or a lack of experience and knowledge, unless they are supervised or have been instructed how to use the product safely by a person responsible for their safety.

WARNING

Children should be supervised to ensure that they do not play with the device.

Massage head installation

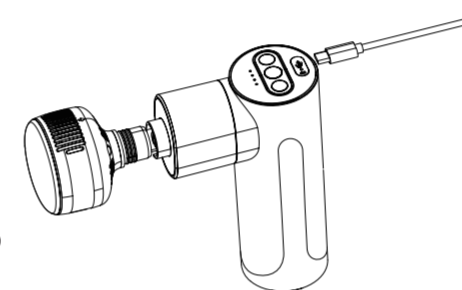
1. Disassembly and assembly of the massage head are conducted in a plug-in way, free from screwing;
2. Fix the red vertical bar of the hot & cold massage head on the piston notch;
3. Make sure it is inserted to the bottom tightly.



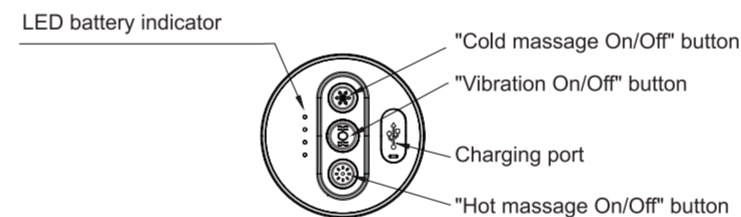
Charging the device

The charging port 7 is located on the top panel of the handle.

1. Charge the battery before using the product for the first time. To charge the battery fully, charging time should be approx. 5 hours. The accessory TYPE-C USB cable must be used for recharging the device's battery. The other end is equipped with any 5 volts charger adapter (5V and 2A is recommended).
2. When charging begins, the LED battery indicator 4 on device flash.
3. After the battery have been fully charged, the LED battery indicator 4 will glow constantly.
4. Battery performance is influenced by the surrounding temperature. Charge the supplied rechargeable batteries within a temperature range of 0-40°C.
5. Charge timely when the battery is lower than 25%.
6. It is not recommended to completely run out of the battery to 25%.
7. Average running time is 3 hours after the device is charged, which depends on vibration level, hot or cold massage.



Operation



1. Press any buttons when the device is power-off, the LED battery indicator 4 shows the current battery level.
2. Vibration mode: long press the "Vibration on/off" button 6 for 3 seconds, the vibration function will start. When the LED light turns to Blue, Level 1 vibration is started. Short press the button "Vibration on/off" button 6, LED light turns to purple and Level 2 vibration starts. Short press the "Vibration on/off" button 6 to switch to Level 3 vibration, LED light turns to red. You can long press the "Vibration on/off" button 6 to turn off the vibration function at anytime.
3. Hot massage mode: long press the "Hot massage On/Off" button 8 for 3 seconds, the hot massage function will start at about 35°C and the LED light turns to Blue. Short press the button "Hot massage On/Off" button 8, LED light turns to purple and increase to 40°C. Short press the "Hot massage On/Off" button 8, LED light turns to red and increase to 45°C. You can long press the "Hot massage On/Off" button 8 for 3 seconds to turn off the hot massage function at anytime.
4. Cold massage mode: long press the "Cold massage On/Off" button 5 for 3 seconds, the cold massage function will start at about 10°C and the LED light turns to Blue. Short press the button "Cold massage On/Off" button 5, LED light turns to purple and increase to 15°C. Short press the "Cold massage On/Off" button 5, LED light turns to red and increase to 20°C. You can long press the "Cold massage On/Off" button 5 for 3 seconds to turn off the cold massage function at anytime.
5. When any modes is activated, you can short-press the buttons to start corresponding function.
6. When all the functions turned off, the LED battery indicator 4 will glow for 7 seconds constantly and the device is at standby mode. The device will automatically power off after 5 seconds if no further instructions.
7. Only hot & cold massage head is applicable for hot or cold massage mode and it must be installed tightly before use.
8. Vibration, hot massage and cold massage can be operated independently.
9. The device switches off automatically after 15 minutes of use.

Maintenance and caring

- Before cleaning the appliance, make sure that the appliance is switched off and the power supply unit is disconnected. Allow the unit to cool down.
- Clean the device with a slightly damp towel. Never use brushes, aggressive cleaning agents, petrol, thinners or alcohol. Rub the unit dry with a clean dry cloth.
- Never immerse the appliance in water to clean it and ensure water cannot get into the appliance.
- Wait until the device is complete dry before using it again.
- Undo any kinks in the cable.
- Take care when rolling up the mains lead to avoid damaging it.
- You should ideally store the device in its original packaging and keep it in a clean, dry place.
- Don't use the product for over 30 minutes continuously. It may activate the over-heat protection and stop operation automatically. Please wait at least 30 minutes in order to cool down before re-use.

Disposal



The battery in the appliance contains environmentally hazardous substances. Before the appliance is discarded, the power should be cut off and the battery removed, and then the battery should be discarded in a safe situation.



This product must not be disposed of together with domestic waste all users are obliged to hand in all electrical or electronic devices, regardless of whether or not they contain toxic substances, at a municipal or commercial collection point so that they can be disposed of in an environmentally acceptable manner. Consult your municipal authority or your dealer for information about disposal.

Specifications

Product name and model no.	: medisana Portable Fascia Power Gun with Hot & Cold Massage RG 220
Article no.	: 48939 (Grey), 48940 (Blue), 48858 (Black)
Battery type	: Built-in rechargeable lithium
Input voltage	: 5V, 2A
Battery specification	: 11.1V, 2400 mAh
Operation time	: Cold massage (Level 3): approx. 2.5-3 hours : Hot massage (Level 3): approx. 8-8.5 hours : Vibration massage (Level 3): approx. 3-3.5 hours : Vibration with cold massage (Level 3): approx. 1-1.5 hours : Vibration with hot massage (Level 3): approx. 2-2.5 hours : Approx. 4.5-5 hours for fully-charge
Charging time	: After approx. 15 minutes of use
Automatic power-off	: Level 1: 2,800 rpm; Level 2: 3,000 rpm; Level 3: 3,200 rpm
Vibration speed	: For battery capacity (20%, 50%, 100%) and charging
LED battery indicator	: Dry, indoor locations only
Operation condition	: Clean, cool and dry location
Storage condition	: Approx. 14 x 6 x 15 cm (including massage head)
Dimension	: Body: approx. 620 g
Weight	: Hot & Cold massage head: approx. 124 g, 6 different massage head: 14-20 g

In accordance with our policy of continual product improvement, we reserve the right to make technical and visual changes without notice.

Warranty And Support

Please contact your local dealer or distributor in case of a claim under the warranty.

The following warranty terms apply:

1. The warranty period for the device is one year from date of purchase. In case of a warranty claim, the date of purchase has to be proven by means of the sales receipt or invoice.
2. Defects in material or workmanship will be corrected free of charge within the warranty period.
3. Repairs under warranty do not extend the warranty period either for the unit or for the replacement parts.
4. The following is excluded under the warranty:
 - a) Any losses or damages caused by improper treatment.
 - b) Any losses or damages caused by acts of God, civil commotion, wars, any accidents or any other beyond Medisana's reasonable control.
 - c) All damage which is due to repairs or tampering by the customer or unauthorized third parties.
 - d) Damages caused by external connection with other equipment.
 - e) Accessories which are subject to normal wear.
5. If there is any specific service terms and conditions for a particular Repair Service provided by Medisana, such specific service terms and conditions shall prevail in case of any discrepancy with these Terms of Repair Services.

If you need further information or support, please contact the local dealer or distributor in your country.

medisana.

Unit E&F, 31/F, YHC Tower, 1 Sheung Yuet Road, Kowloon Bay, Kowloon, Hong Kong

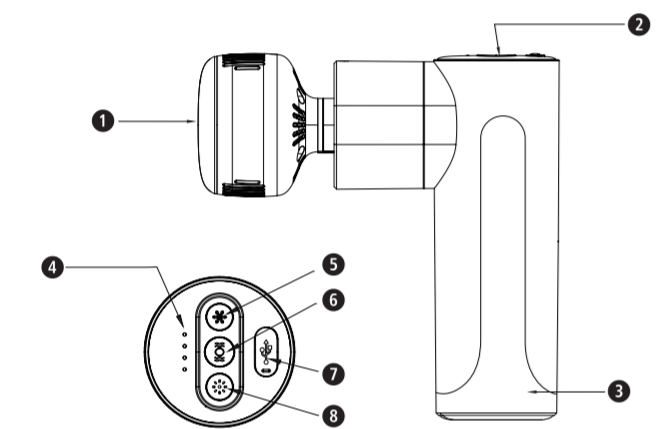
medisana®

隨身冷熱震動按摩槍 RG 220



說明書
請仔細閱讀!

TW 儀器和控制



標誌說明

重要
遵守使用說明!
不遵守這些說明可能導致嚴重傷害或儀器損壞。

警告
必須遵守這些警告說明以防止對用戶造成任何傷害。

小心
必須遵守這些說明以防止對儀器造成任何損壞。

注意
這些說明提供關於安裝或操作的有用附加信息。

LOT 批號

SN 編號

製造商

製造日期



48939-48940-48858_RG 220_manual_TW_202204_L10

TW 安全說明



在使用本設備前，請仔細閱讀用戶手冊，尤其是安全說明，並保留說明書以備將來使用。如果您把本設備送交他人，請務必同時轉交用戶手冊。本說明屬於此設備的一部分。它包含有關啟動和操作的重要訊息。請仔細閱讀本說明手冊。



這些注意事項為您提供有關安裝或操作的有用附加訊息。

- 在連接設備進行充電時，應確保電源插頭安全且便利操作。
- 在使用後，務必使用功能按鈕關閉設備。
- 若要斷開本設備與電源的連接，請務必將插頭從插座中拔出。不要拉扯電源線!
- 不要拉扯電源線或以電源線纏繞設備或電源裝置。
- 在電源線或DC變壓器損壞後，不得繼續使用本設備。出於安全原因，這些部件只能由獲得授權的服務人員更換。為了防止危險，請務必將本設備送到服務中心。
- 不得打結、纏繞或扭曲電源線。確保電源線沒有受損而導致電力供應中斷。
- 本設備僅供成人使用，如果要供身體、感官或精神能力下降或缺乏經驗和知識的人員使用，應對其進行監督或指導並解釋其中包含的危險，確保其安全地使用本設備。
- 請勿使用本設備來補充或替代醫學治療。
- 若有慢性疾病或其他相關症狀，請審慎評估使用，以避免狀況惡化。
- 請勿在器官、神經或其他任何敏感部位使用本設備。
- 如果您在按摩過程中感到疼痛或不適，請立即停止並諮詢醫生。
- 如果您正在接受醫學治療或使用醫療設備，請在使用本設備之前，就任何無法解釋的疼痛諮詢您的醫生。

使用前須知

- 本設備不得用於商業用途或醫學目的。
- 如果您有健康問題，請在使用本設備之前諮詢您的醫生。
- 只能在室內使用! 不要在潮濕房間使用本設備 (例如: 浴室或淋浴間)

- 本設備只能用於說明手冊中描述的預期目的。
- 將本設備用於任何其他目的將使保修失效。
- 請勿在處於睡眠狀態或躺在床上時使用本設備。
- 請勿在睡覺前使用本設備。按摩具有刺激作用。
- 切勿在駕駛車輛或操作機器時使用本設備。
- 每組震動週期的最長運行時間為 15 分鐘。
- 超過此時間後，設備會自動關閉。
- 請先讓馬達冷卻幾分鐘後，再使用該設備。
- 如果本設備連接到電源 (給電池充電)，切勿讓其處於無人看管狀態。
- 請勿讓本設備接觸尖銳或鋒利物體。
- 在開啟電源的狀態下，請勿以任何商品覆蓋該設備。切勿在毯子或墊子下使用，會有火災、觸電或受傷危險。
- 用戶不得自行更換或取出內置電池。如果電源出現問題，請聯繫服務中心。
- 如果設備出現故障，請不要自行修理，以避免保固失效。請諮詢您的經銷商，並由專業服務人員進行維修。
- 若無成人監督，不得由兒童進行清潔及日常保養。
- 請勿將設備浸入水中或其他液體中。
- 如果不慎讓液體滲入設備，請立即將其關閉並拔下電源線 (如果已連接)，並等待設備完全乾燥。

儀器和控制

主機

1 按摩頭 2 控制面板 3 電池槽

控制面板

4 LED 電池指示燈 5 冷敷按摩 6 震動按摩 7 充電接頭 8 熱敷按摩

按摩頭

9 冷/熱敷按摩頭 10 圓柱按摩頭 11 球型按摩頭 12 錐型按摩頭 13 弧型按摩頭
14 扁平按摩頭 15 U 形按摩頭

所供應和包裝的產品

請首先檢查設備是否完整、無任何損壞。如有疑問，請不要使用本設備並聯繫您的經銷商或服務中心。包裝可重複使用或回收。請妥善處理不再需要的包裝材料。如果您在開箱過程中發現任何運輸損壞，請立即聯繫您的經銷商。

本產品包括以下部分:

- 1 medisana 隨身冷熱震動按摩槍 **RG 220**
- 1 冷/熱敷按摩頭
- 1 圓柱按摩頭
- 1 球型按摩頭
- 1 弧型按摩頭
- 1 U 形按摩頭
- 1 收納盒
- 1 球型按摩頭
- 1 錐型按摩頭
- 1 扁平按摩頭
- 1 USB 轉 Type-C 充電線
- 1 說明書

包裝可以重複使用或回收。請妥善處理任何不需要的包裝材料。

如果您在打開包裝的過程中注意到任何運輸損壞，請立即聯繫您的經銷商。

警告

請確保將聚乙烯包裝放在兒童接觸不到的地方! 有窒息風險!

具冷熱敷功能的隨身震動按摩槍是一種深度放鬆肌肉筋膜的設備，適用於運動和健身後的物理按摩。可以緩解肌肉的僵硬和酸痛，緩解肌肉疲勞，加速血液循環，改善身體軟組織。

小心

確保最長運作時間不超過 15 分鐘。

操作說明

- 請隔著衣服在乾燥的身體表面使用，輕輕按壓並在身體上移動，在每個區域大約持續 60 秒。
- 請在身體軟組織 (如肌肉、筋膜) 上根據需要使用 medisana 隨身冷熱震動按摩槍，使用時請避開頭部或骨頭 / 關節等處，於正確使用情況下，將不會產生疼痛或不適。
- 請依據個人狀況挑選適合使用之按摩頭。
- 由於個人承受力道之差異，在正常使用情況下也可能出現察覺，使用時請經常檢查按摩部位，一旦有疼痛、擦傷或不適現象，請立即停止使用。
- 請小心避免手指、頭髮或身體其他部位捲入按摩頭與機器本體轉接處。
- 請勿將任何物品放入隨身冷熱震動按摩槍的通風孔中。
- 請勿浸入水中或讓水進入隨身冷熱震動按摩槍的通風孔中。
- 請勿隨意丟棄或濫用隨身冷熱震動按摩槍。
- 只能使用 5V、2A 輸入電壓充電。
- 切勿讓隨身冷熱震動按摩槍在無人看管的情況下運行或充電。

警告

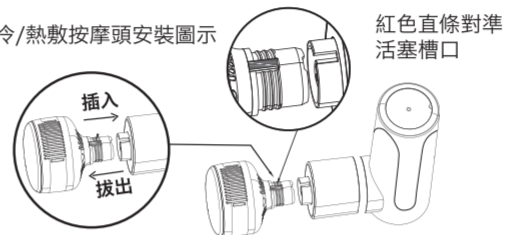
本產品不預期供生理、感知、心智能力、經驗或知識不足之使用者 (包含孩童) 使用，除非在對其負有安全責任的人員之監護或指導下安全使用。

警告

孩童應受監護，以確保孩童不嬉玩電器。有安全責任的人員之監護或指導下安全使用。

按摩頭安裝

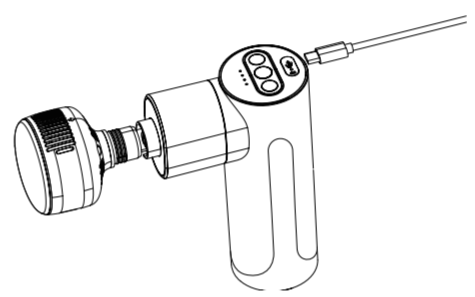
- 按摩頭採用插入式拆裝，無需扭動；
- 將冷 / 熱敷按摩頭的紅色膠條固定在活塞槽口上；
- 確保它牢固地插入底部。



電池充電

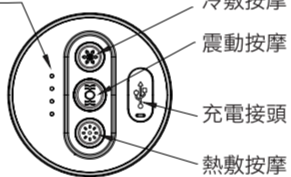
充電接頭 7 位於手柄頂部面板

- 首次使用本產品前請給電池充電。要為電池充滿電，充電時間應約為 5 小時。
- 必須使用附帶的 TYPE-C USB 充電線為設備充電。另一端需配備 5V 充電器 (推薦 5V 和 2A)。
- 充電開始時，設備上的 LED 電池指示燈 4 閃爍。
- 電池充滿電後，LED 電池指示燈 4 會恆亮。
- 電池性能受周圍溫度影響。於 0 - 40°C 的溫度範圍內為隨附的充電電池充電。
- 電池電量低於 25% 時要及時充電。
- 不建議將電池完全耗盡到 25%。
- 設備充電後平均運行時間為 3 小時，具體取決於震動水平、熱按摩或冷按摩。



操作說明

電量/充電指示



- 開機狀態下按任何按鈕，LED 電池指示燈 4 顯示當前電池電量。
- 震動按摩模式: 長按“震動按摩開 / 關”按鈕 6 3 秒，震動功能啟動。當 LED 燈變為藍色時，開始 1 級震動。短按“震動按摩開 / 關”按鈕 6，LED 燈變為紫色，2 級震動開始。短按“震動按摩開 / 關”按鈕 6 切換到 3 級震動，LED 燈變紅色。您可以隨時長按“震動按摩開 / 關”按鈕 6 關閉震動功能。
- 熱敷按摩模式: 長按“熱敷按摩開 / 關”按鈕 8 3 秒，熱敷按摩功能會在 35°C 左右啟動，LED 燈變成藍色。短按“熱敷按摩開 / 關”按鈕 8，LED 燈變成紫色並增加到 40°C。短按“熱敷按摩開 / 關”按鈕 8，LED 燈變成紅色並增加到 45°C。您可以隨時長按“熱敷按摩開 / 關”按鈕 8 3 秒關閉熱敷按摩功能。
- 冷敷按摩模式: 長按“冷敷按摩開 / 關”按鈕 5 3 秒，10°C 左右開始冷敷功能，LED 燈變為藍色。短按“冷敷按摩開 / 關”按鈕 5，LED 燈變成紫色並增加到 15°C。短按“冷敷按摩開 / 關”按鈕 5，LED 燈變成紅色並增加到 20°C。您可以隨時長按“熱敷按摩開 / 關”按鈕 8 3 秒關閉冷敷按摩功能。
- 當任何模式被啟動時，您可以短按按鈕啟動相應的功能。
- 當所有功能關閉時，LED 電池指示燈 4 將持續亮起 7 秒，設備處於待機狀態。如果沒有進一步的指示，設備將在 5 秒後自動關機。
- 冷熱敷按摩模式只適用於冷熱按摩頭，使用前必須安裝牢固。
- 震動、熱敷按摩、冷敷按摩可獨立操作。
- 設備在使用 15 分鐘後自動關閉。

維護和保養

- 在清潔設備之前，確保已關閉設備且已斷開電源，並等待設備冷卻。
- 用稍微溼潤的毛巾清潔設備。切勿使用刷子、腐蝕性清潔劑、汽油、稀釋劑或酒精。使用清潔、乾燥的布將本設備擦乾。
- 切勿將設備浸入水中清洗，並確保水不會進入設備。
- 再次使用之前，應等待設備完全乾燥。
- 鬆解電源線的扭結。
- 在將電源線卷起來時要小心，以免損壞。
- 建議將設備保存在原始包裝中，並將其保存在乾淨、乾燥的地方。
- 連續使用本產品的時間不應超過 30 分鐘。它可能啟動過熱保護並自動停止運行。請等待至少 30 分鐘，讓設備冷卻以便再次使用。

廢棄處置



電器內之電池含有危害環境的物質。電器報廢前，應先切斷電源並取出電池，然後於安全情況下丟棄電池。本產品不得與生活垃圾一起處置。用戶必須將所有電氣或電子設備上交至有關部門或商業機構指定的收集點 (無論它們是否含有有毒物質)，以便按照環保的方式處置它們。請諮詢您當地的有關部門或經銷商，瞭解有關處理的訊息。

技術規格

產品名稱及型號 : medisana 隨身冷熱震動按摩槍 RG 220
產品編號 : 48939 (灰色), 48940 (藍色), 48858 (黑色)
電池類型 : 內置可充電電池
電源 : 輸入: 5V, 2A
電池規格 : 11.1V, 2400 mAh
運行時間 : 冷敷 (Level 3): 約 2.5-3 小時
: 熱敷 (Level 3): 約 8-8.5 小時
: 震動按摩 (Level 3): 約 3-3.5 小時
: 冷敷震動按摩 (Level 3): 約 1-1.5 小時
: 熱敷震動按摩 (Level 3): 約 2-2.5 小時

充電時間 : 約 4.5-5 小時可完全充電
自動關機 : 大約使用 15 分鐘之後
震動轉數 : Level 1: 2,800 rpm; Level 2: 3,000 rpm; Level 3: 3,200 rpm
LED 電池指示燈 : 顯示電池容量 (20%、50%、100%) 和充電中
操作環境 : 僅限乾燥室內場所
存放環境 : 乾淨、陰涼和乾燥場所
尺寸 : 約 23.5 x 6 x 19 cm (含按摩頭)
重量 : 機身: 約 620 g
冷/熱敷按摩頭: 約 124 g, 其他6款按摩頭: 約 14-20 g

按照我們的產品持續改進政策，
我們保留在不通知的情況下進行技術和外觀更改的權利。

保固及售後支援

如果在保固期內提出維修保養服務，請聯繫您當地的經銷商或分銷商。

適用保固條款如下:

- 本產品的保固期為自購買之日起一年。如果要提出保固要求，必須出示帶有本產品購買日期的銷售收據或發票。
- 若產品於購買時即有非人為之功能或材質缺陷，將在保固期內換新。
- 保固期內的維修，不會延長本設備或替換部件的保固期。
- 保固不包括以下情況:
 - 因處理不當而造成的任何損失或損壞。
 - 因天災、內亂、戰爭、任何事故或 Medisana 無法合理控制的其他原因造成的任何損失或損壞。
 - 由客戶或未經授權的第三方修理或改造造成的各種損壞。
 - 與其他設備的外部連接造成的損壞。
 - 配件 (包括但不限於 按摩頭、電池、DC 變壓器、說明書等) 使用耗損。
- 如果 Medisana 提供的某項維修服務包含任何特定服務條款和條件，而且與本維修服務條款之間存在差異，應以特定服務條款和條件為準。

如需更多訊息或支援，請聯繫您在國家 / 地區的當地經銷商或分銷商。

medisana®

Unit E&F, 31/F, YHC Tower, 1 Sheung Yuet Road, Kowloon Bay, Kowloon, Hong Kong

品名: medisana 隨身冷熱震動按摩槍
產品貨號: 48939 (灰色), 48940 (藍色), 48858 (黑色)
型號: RG 220(GY), RG 220(BL), RG 220(BK)
中國製造

總代理: 恆隆行貿易股份有限公司
地址: 11493台北市內湖區洲子街88號7樓
客服專線: 0800-251209