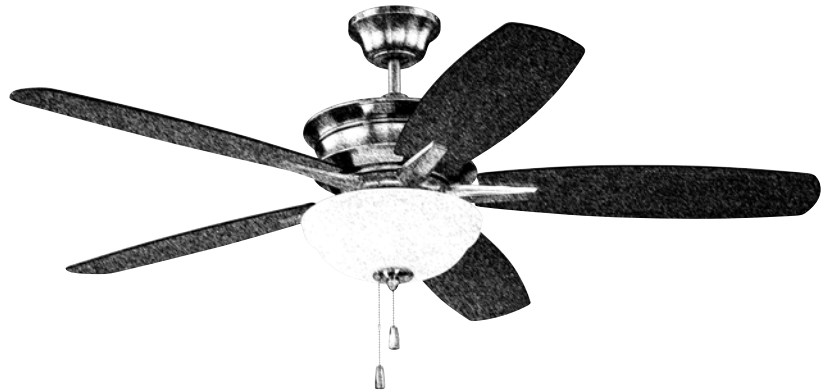


# CRAFTMADE™

READ THESE INSTRUCTIONS  
AND SAVE THEM FOR FUTURE USE



## Penbrooke

# Installation Guide

For Model:  
**PNB52**

### Table of Contents:

- Safety Tips. pg. 2
- Unpacking Your Fan. pg. 3
- Parts Inventory. pg. 3
- Installation Preparation. pg. 4
- Hanging Bracket Installation. pg. 4
- Fan Assembly. pgs. 5 - 6
- Wiring. pg. 6
- Canopy Assembly. pg. 7
- Blade Assembly. pg. 7
- Light Kit Assembly (Optional). pgs. 8 - 9
- Testing Your Fan. pg. 10
- Troubleshooting. pg. 11
- Parts Replacement. pg. 11
- Warranty. pg. 11



net weight of fan: 18.96 lb. (8.6 kg)

PRINTED IN CHINA

# SAFETY TIPS.

**WARNING:** To reduce the risk of electrical shock, turn off the electricity to the fan at the main fuse box or circuit panel before you begin the fan installation or before servicing the fan or installing accessories.

1. **READ ALL INSTRUCTIONS AND SAFETY INFORMATION CAREFULLY BEFORE INSTALLING YOUR FAN AND SAVE THESE INSTRUCTIONS.**

**CAUTION:** To avoid personal injury, the use of gloves may be necessary while handling fan parts with sharp edges.

2. Make sure all electrical connections comply with Local Codes or Ordinances, the National Electrical Code, and ANSI/NFPA 70-1999. If you are unfamiliar with electrical wiring or if the house/building wires are different colors than those referred to in the instructions, please use a qualified electrician.
3. Make sure you have a location selected for your fan that allows clear space for the blades to rotate, and at least seven (7) feet (2.13 meters) of clearance between the floor and the fan blade tips. The fan should be mounted so that the tips of the blades are at least thirty (30) inches (76 centimeters) from walls or other upright structures.
4. The outlet box and ceiling support joist used must be securely mounted, and capable of supporting at least 35 pounds (16 kilograms). The box must be supported directly by the building structure. Use only CUL (Canada) or UL (USA) listed outlet boxes marked "FOR FAN SUPPORT."

**WARNING:** To reduce the risk of fire, electrical shock, or personal injury, mount to the outlet box marked "Acceptable for Fan Support of 15.9 kg (35 lb) or less," and use the mounting screws provided with the outlet box. Most outlet boxes commonly used for the support of lighting fixtures are not acceptable for fan support and may need to be replaced. Consult a qualified electrician if in doubt.

**WARNING:** To reduce the risk of fire, electrical shock, or personal injury, wire connectors provided with this fan are designed to accept only one 12 gauge house wire and two lead wires from the fan. If your house wire is larger than 12 gauge or there is more than one house wire to connect to the corresponding fan lead wires, consult an electrician for the proper size wire connectors to use.

5. Electrical diagrams are for reference only. Light kits that are not packed with the fan must be CUL (Canada) or UL (USA) listed and marked suitable for use with the model fan you are installing. Switches must be CUL (Canada) or UL (USA) general use switches. Refer to the instructions packaged with the light kits and switches for proper assembly.
6. After installation is complete, check that all connections are absolutely secure.
7. After making electrical connections, spliced conductors should be turned upward and pushed carefully up into the outlet box. The wires should be spread apart with the grounded conductor and the equipment-grounding conductor on opposite sides of the outlet box.

**WARNING:** To reduce the risk of fire or electrical shock, do not use this fan with any solid state speed control device or control fan speed with a full range dimmer switch. [Using a full range dimmer switch to control fan speed will cause a loud humming noise from fan.]

(**Note:** This fan *is* suitable for use with remote control.)

8. Do not operate the reverse switch until fan has come to a complete stop.
9. Do not insert anything between the fan blades while they are rotating.

**WARNING:** To reduce the risk of personal injury, do not bend the blade arms during assembly or after installation. Do not insert objects into the path of the blades.

**WARNING:** To avoid personal injury or damage to the fan and other items, be cautious when working around or cleaning the fan.

10. Do not use water or detergents when cleaning the fan or fan blades. A dry dust cloth or lightly dampened cloth will be suitable for most cleaning.

**WARNING:** To reduce the risk of personal injury, use **only** parts provided with this fan. **The use of parts OTHER than those provided with this fan will void the warranty.**

**WARNING:** This fan **MUST** be installed with the safety cable provided with the fan. Failure to use the safety cable provided may result in personal injury, damage to the fan or damage to other property.

11. Light kit is dimmable to 10% with select dimmers.

Modifications not approved by the party responsible for compliance could void the user's authority to operate the equipment. [The equipment refers to the remote and/or wall control and/or LED light kit.]

**NOTE:** This equipment has been tested and found to comply with the limits for a Class B digital device, pursuant to Part 15 of the FCC Rules. These limits are designed to provide reasonable protection against harmful interference in a residential installation. This equipment generates, uses and can radiate radio frequency energy and, if not installed and used in accordance with the instructions, may cause harmful interference to radio communications. However, there is no guarantee that interference will not occur in a particular installation. If this equipment does cause harmful interference to radio or television reception, which can be determined by turning the equipment off and on, the user is encouraged to try to correct the interference by one or more of the following measures:

- \* Reorient or relocate the receiving antenna.
- \* Increase the separation between the equipment and receiver.
- \* Connect the equipment into an outlet on a circuit different from that to which the receiver is connected.

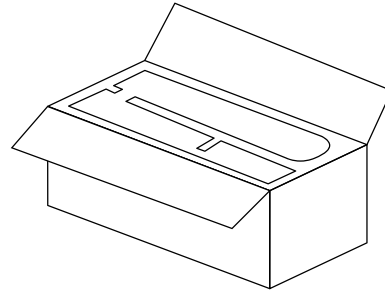
Consult the dealer or an experienced radio/TV technician for help.

The LED light kit complies with Part 15 of the FCC Rules. Operation is subject to the following two conditions: (1) this LED light kit may not cause harmful interference, (2) this LED light kit must accept any interference received, including interference that may cause undesired operation.

**NOTE:** The important safety precautions and instructions appearing in the manual are not meant to cover all possible conditions and situations that may occur. It must be understood that common sense and caution are necessary factors in the installation and operation of this fan.

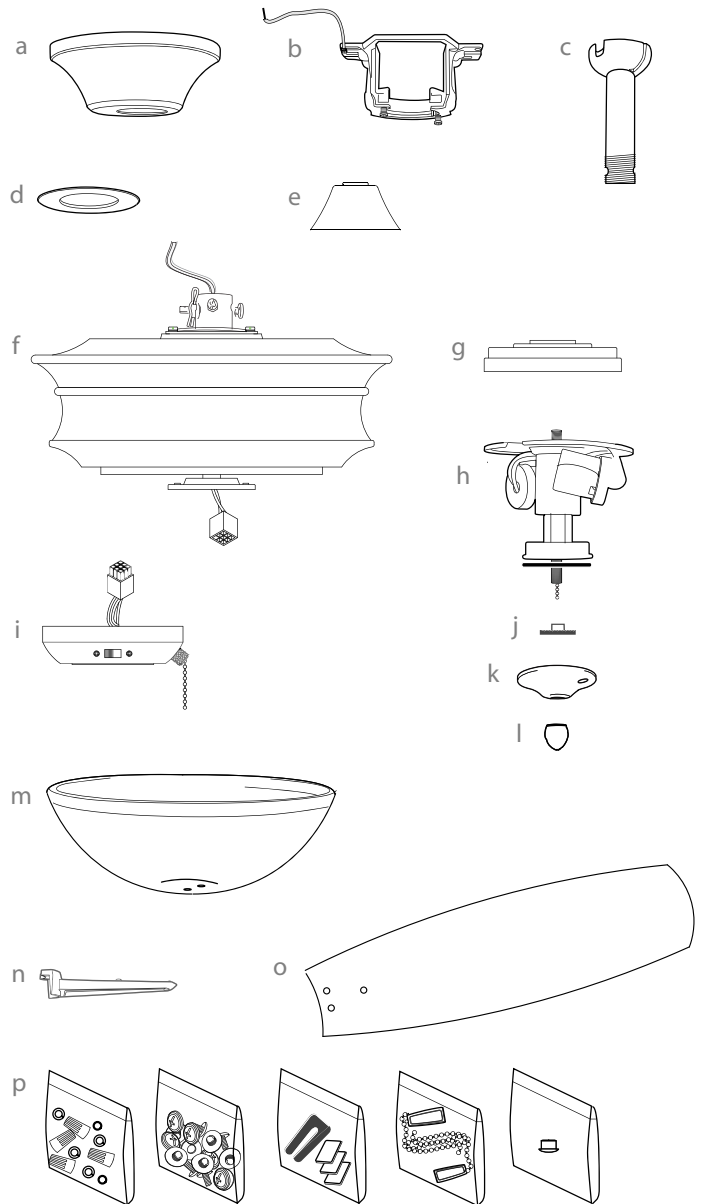
# 1. Unpacking Your Fan.

Carefully open the packaging. Remove items from Styrofoam inserts. Remove motor housing and place on carpet or Styrofoam to avoid damage to finish. Do not discard fan carton or Styrofoam inserts should this fan need to be returned for repairs. Check against parts inventory that all parts have been included.



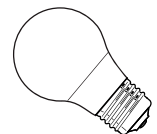
## 2. Parts Inventory.

- a. canopy. 1 piece
- b. hanging bracket. 1 piece
- c. downrod and hanging ball. 1 piece
- d. canopy cover (in hardware pack). 1 piece
- e. yoke cover. 1 piece
- f. motor housing. 1 piece
- g. fitter plate. 1 piece
- h. light kit fitter. 1 piece
- i. switch housing. 1 piece
- j. threaded washer (pre-attached to light kit fitter). 1 piece
- k. finial plate. (pre-attached to light kit fitter). 1 piece
- l. finial (pre-attached to light kit fitter). 1 piece
- m. glass shade. 1 piece
- n. blade arm. 5 pieces
- o. blade. 5 pieces
- p. hardware packs



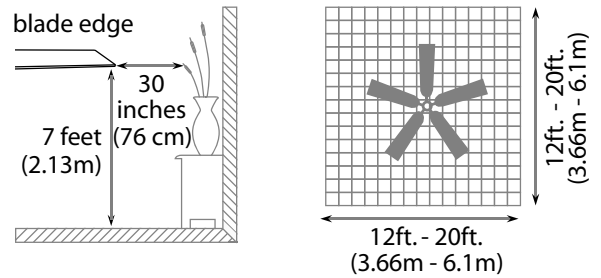
**IMPORTANT REMINDER:** You must use the parts provided with this fan for proper installation and safety.

**bulbs required:**  
2 x 9 watt medium base LED bulbs  
(included)



### 3. Installation Preparation.

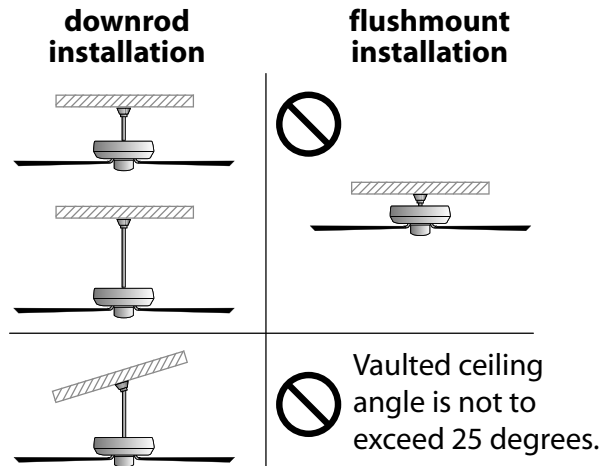
To prevent personal injury and damage, ensure that the hanging location allows the blades a clearance of 7 feet (2.13m) from the floor and 30in. (76cm) from any wall or obstruction. This fan is suitable for room sizes up to 400 square feet (37.2 square meters).



This fan can be mounted with a **downrod** on a regular (no-slope) or vaulted ceiling. The hanging length can be extended by purchasing a longer downrod (0.5in./1.27cm diameter). Other installation, such as **flushmount**, is *not* available for this fan.

**Installation requires these tools:**

Phillips screwdriver, flathead screwdriver, adjustable pliers or wrench, stepladder, wire cutters, and rated electrical tape.



### 4. Hanging Bracket Installation.

Turn off circuit breakers to current fixture from breaker panel and be sure operating light switch is turned to the OFF position.

**WARNING:** Failure to disconnect power supply prior to installation may result in serious injury.

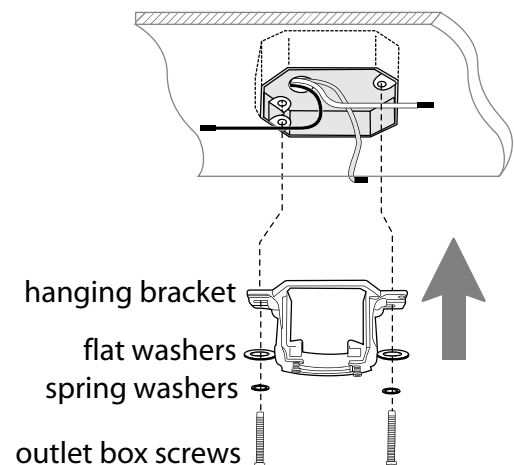
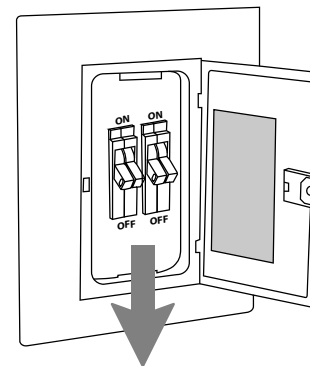
Remove existing fixture.

**WARNING:** When using an existing outlet box, be sure the outlet box is securely attached to the building structure and can support the full weight of the fan. Ensure the outlet box is clearly marked "Suitable for Fan Support." If not, it must be replaced with an approved outlet box. Failure to do so can result in serious injury.

**CAUTION:** Be sure outlet box is grounded properly and that a ground wire (**GREEN** or bare) is present.

Install hanging bracket to outlet box using original screws, spring washers and flat washers provided with new or original outlet box.\* If installing on a vaulted ceiling, face opening of hanging bracket towards high point of ceiling. Arrange electrical wiring around the back of the hanging bracket and away from the bracket opening.

**\*Note:** It is very important that you use the proper hardware when installing the hanging bracket as this will support the fan.



## 5. Fan Assembly.

Remove hanging ball from downrod provided by loosening set screw on hanging ball. Lower hanging ball and remove stop pin and then slide hanging ball off of the downrod. [Refer to **diagram 1**.]

Loosen yoke set screws and nuts at top of motor housing. Remove pin and clip from motor housing yoke. [Refer to **diagram 2**.]

**Tip:** To prepare for threading electrical wires through downrod, apply a small piece of electrical tape to the ends of the electrical wires--this will keep the wires together when threading them through the downrod. [Refer to **diagram 2**.]

Determine the length of downrod you wish to use. Thread safety cable and electrical wires through threaded end of downrod and pull extra wire slack from the upper end of the downrod. [Refer to **diagram 2**.]

Thread downrod into the motor housing yoke until holes for pin and clip in downrod align with holes in yoke--*make sure wires do not get twisted*. Re-insert pin and clip that were previously removed. Tighten yoke set screws and nuts securely. [Refer to **diagram 2**.]

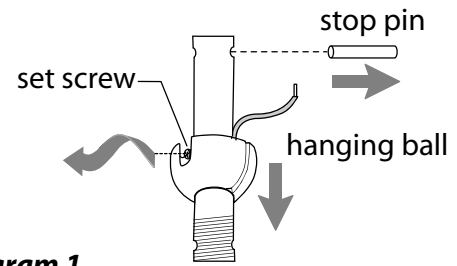
Locate canopy cover in hardware pack. Slide canopy cover and canopy over downrod. [Refer to **diagram 3**.] (**Note:** Canopy cover must be turned with shiny side *toward* the motor housing.)

Thread safety cable and wires through hanging ball and then slide hanging ball over downrod--the top of the downrod should be noted as having a set screw hole; use this hole when setting the set screw. Insert stop pin into top of downrod and raise hanging ball. Be sure stop pin aligns with slots on the inside of the hanging ball. Tighten set screw securely. [Refer to **diagram 4**.]

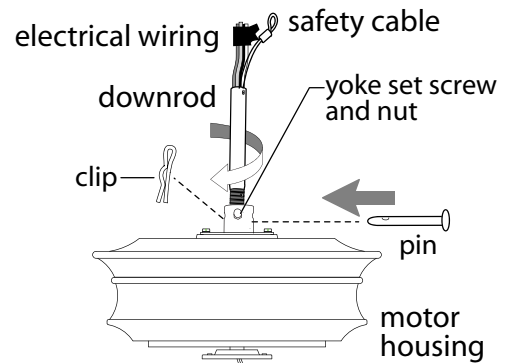
**WARNING:** Failure to tighten set screw (on hanging ball) completely could result in the fan becoming loose and possibly falling.

**["Fan Assembly" continued on next page.]**

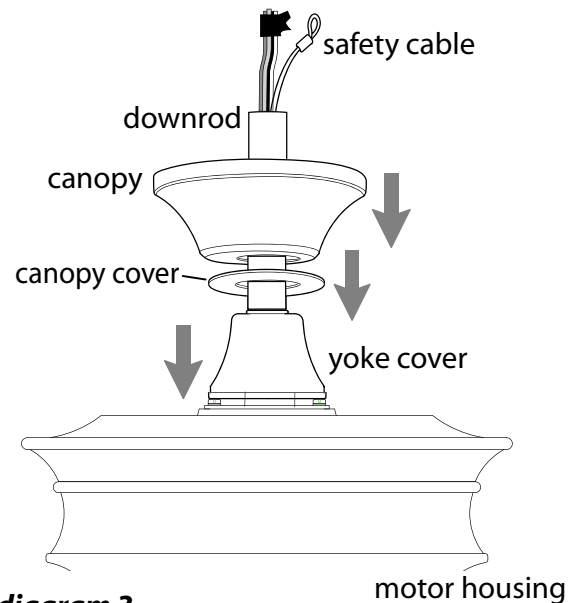
**NOTE:** The important safety precautions and instructions appearing in the manual are not meant to cover all possible conditions and situations that may occur. It must be understood that common sense and caution are necessary factors in the installation and operation of this fan.



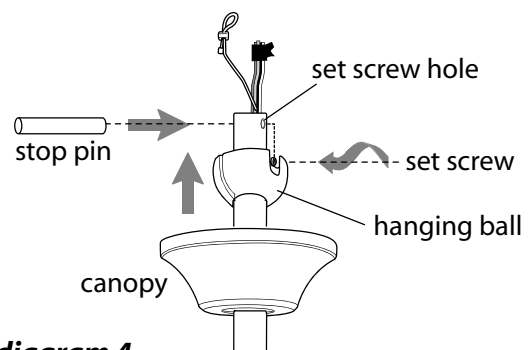
**diagram 1**



**diagram 2**



**diagram 3**



**diagram 4**

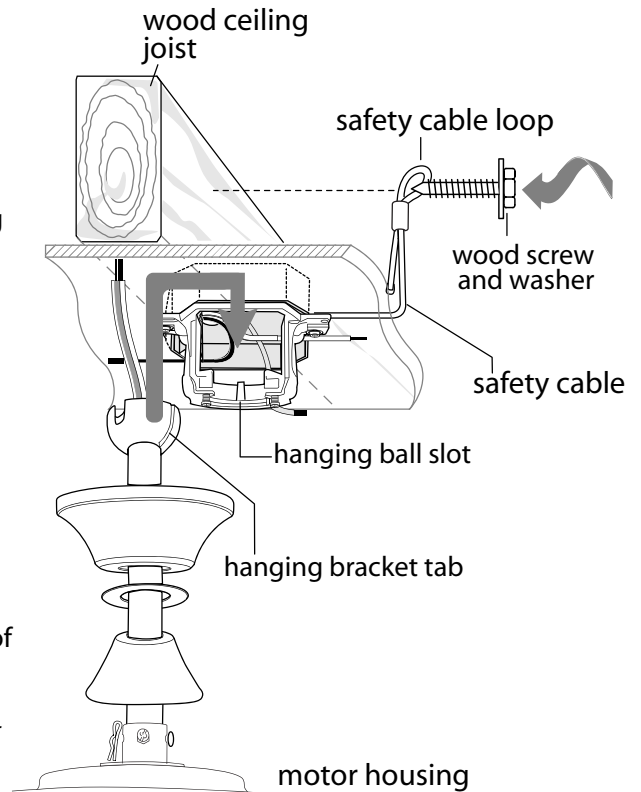
## 5. Fan Assembly. (cont.)

With the hanging bracket secured to the outlet box and able to support the fan, you are now ready to hang your fan. Grab the fan firmly with two hands. Slide downrod through opening in hanging bracket and let hanging ball rest on the hanging bracket. Turn the hanging ball slot until it lines up with the hanging bracket tab.

**WARNING:** Failure to align slot in hanging ball with tab in hanging bracket may result in serious injury or death.

**Tip:** Seek the help of another person to hold the stepladder in place and to help lift the fan up to you once you are set on the ladder.

Find a secure attachment point (wood ceiling joist highly recommended) and secure safety cable. It will be necessary to use a heavy duty wood screw, washer and lock washer (not supplied) with the safety cable loop. If necessary, adjust the loop at the end of the safety cable. The loop at the end of the safety cable should just fit over the threads on the wood screw. *Test safety cable by pulling on loose end of cable with pliers. If the safety cable slips, the loop must be adjusted tighter.* Extra cable slack can be left in ceiling area.



## 6. Wiring.

**WARNING:** Turn off circuit breakers to current fixture from breaker panel and be sure switch is turned to the OFF position.

**CAUTION:** Be sure outlet box is properly grounded and that a ground (**GREEN** or Bare) wire is present.

Make sure all electrical connections comply with Local Codes or Ordinances and the National Electrical Code. If you are unfamiliar with electrical wiring or if the house/building wires are different colors than those referred to in the instructions, please use a qualified electrician.

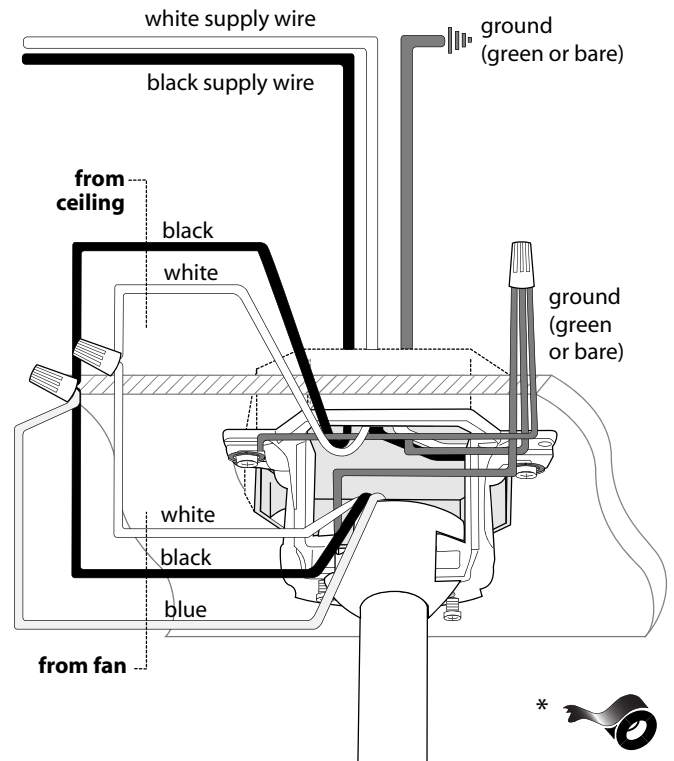
**Note:** Excess lead wire length from the fan can be cut to the desired length and then stripped.

When downrod is secured in place on the hanging bracket, electrical wiring can be made as follows:  
 Connect **BLACK** and **BLUE** wires from fan to **BLACK** wire from ceiling with wire connector provided.  
 Connect **WHITE** wire from fan to **WHITE** wire from ceiling with wire connector provided.  
 Connect all **GROUND (GREEN)** wires together from fan to **BARE/GREEN** wire from ceiling with wire connector provided.

If you intend to control the fan light with a separate light switch, connect **BLUE** wire from fan to the **BLACK** supply from the independent switch.

\* Wrap each wire connector separately with electrical tape as an extra safety measure.

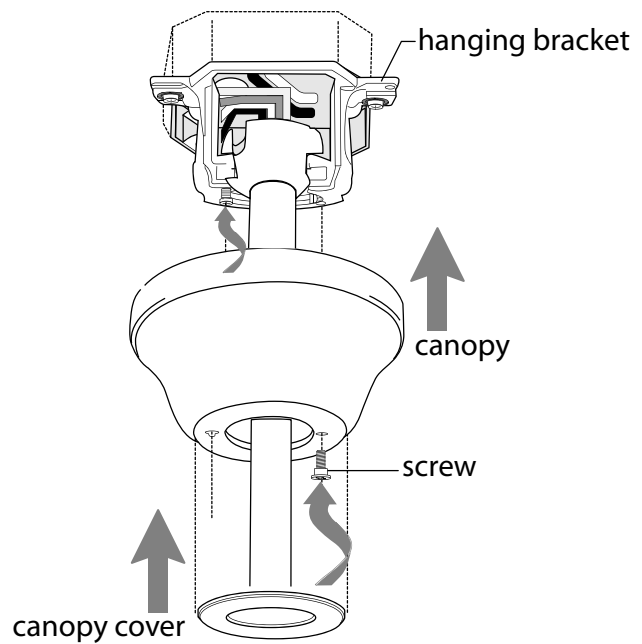
*This fan is remote adaptable (remote control sold separately).*



## 7. Canopy Assembly.

Locate 2 screws on underside of hanging bracket and remove screw closest to the open end of the hanging bracket. Partially loosen the other screw. Lift canopy to hanging bracket. Place rounded part of slotted hole in canopy over loosened screw in hanging bracket and push up. Twist canopy to lock. Re-insert screw that was removed and then tighten both screws securely.

Slide canopy cover up to canopy, aligning rounded part of slotted holes in canopy cover with screwheads in bottom of canopy. Turn canopy cover to the right (clockwise) until it stops.



## 8. Blade Assembly.

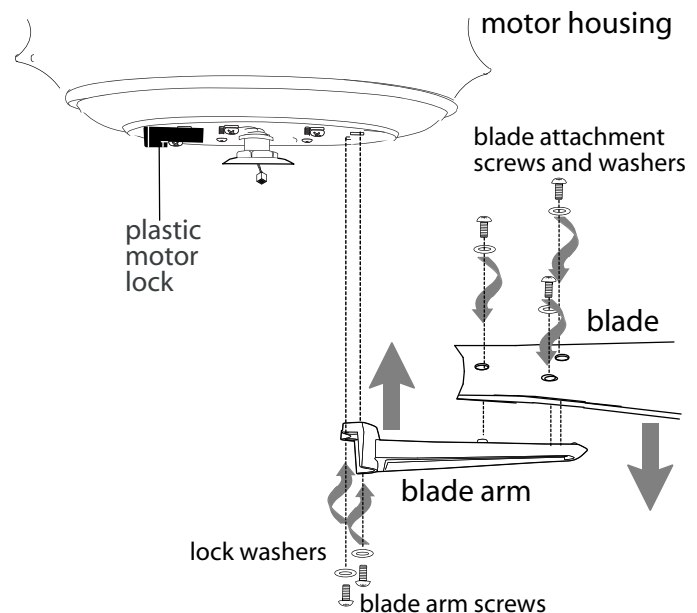
**WARNING:** To reduce the risk of serious bodily injury, DO NOT use power tools to assemble the blades. If screws are overtightened, blades may crack and break.

**Time Saver:** Washers for blade screws can be set on each blade screw prior to installing blades.

Locate 15 blade attachment screws and washers in hardware pack. Hold blade arm up to blade and align holes. Insert 3 blade attachment screws (along with washers) with fingers first and then tighten screws securely with a Phillips screwdriver. Repeat procedure for the remaining blades.

Remove blade arm screws and lock washers from underside of motor. If plastic motor locks are installed with blade arm screws, discard plastic motor locks (*save blade arm screws and lock washers to secure blade arms*). Align blade arm holes with motor screw holes and attach blade arm with lock washers and blade arm screws. Before securing screws permanently, repeat procedure with remaining blade arms. Securely tighten all screws.

**NOTE:** Tighten blade arm screws twice a year



## 9. Light Kit Assembly (Optional).

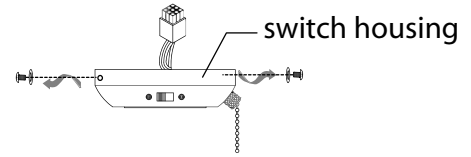
Remove 3 screws from outer edge of switch housing (save screws for later use). [Refer to **diagram 1**.]

Remove 1 screw from motor plate (on underside of motor) and loosen the other 2 screws. Align slotted holes in fitter plate with loosened screws in motor plate, allowing the male plug from the motor housing to come through hole in middle of fitter plate. Twist fitter plate to lock. Re-insert screw that was previously removed and securely tighten all 3 screws with a Phillips screwdriver. [Refer to **diagram 2**.]

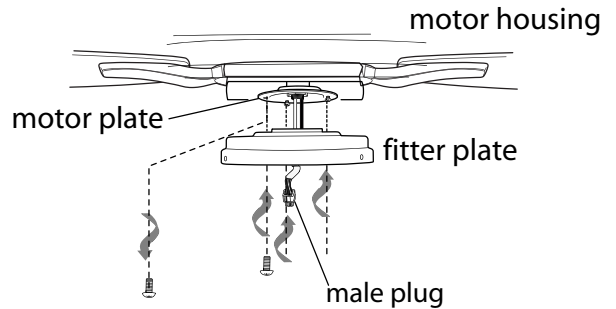
**If you wish to use fan WITHOUT the light kit**, locate small cap in one of the hardware packs and place firmly in hole in center of switch housing cap. Align holes in switch housing with holes in fitter plate. Attach switch housing to fitter plate with 3 screws that were previously removed. Securely tighten all 3 screws with a Phillips screwdriver. [Refer to **diagram 3**.] Please proceed to Section 10 on page 10 to complete installation without the light kit.

**If you wish to use fan WITH the light kit**, remove hex nut and lock washer from threaded rod at top of light kit fitter. Align threaded rod in light kit fitter with center hole in switch housing and then screw switch housing onto threaded rod. Replace lock washer and secure with hex nut. [Refer to **diagram 4**.] Please proceed to next page to use the fan with the light kit.

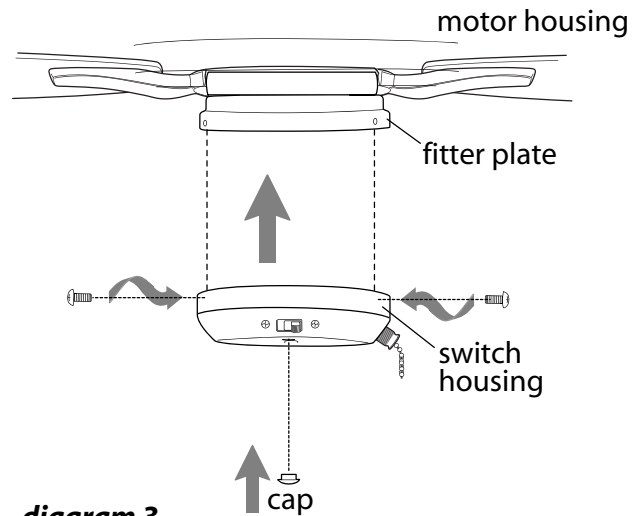
**["Light Kit Assembly" continued on next page.]**



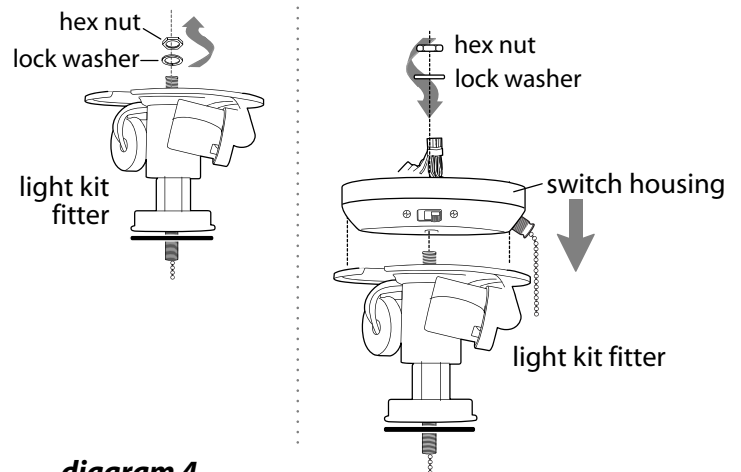
**diagram 1**



**diagram 2**



**diagram 3**



**diagram 4**

## 9. Light Kit Assembly (Optional). (cont.)

Connect male plug from switch housing to female plug from light kit fitter. Make sure plugs connect tightly.

Carefully arrange wiring in fitter plate and align holes in switch housing with holes in fitter plate. Re-insert screws that were previously removed. Tighten all 3 screws with a Phillips screwdriver.

Install 2 medium base 9-watt LED bulbs (included).

**IMPORTANT:** When replacing bulbs, please allow bulbs and glass shade to cool down before touching.

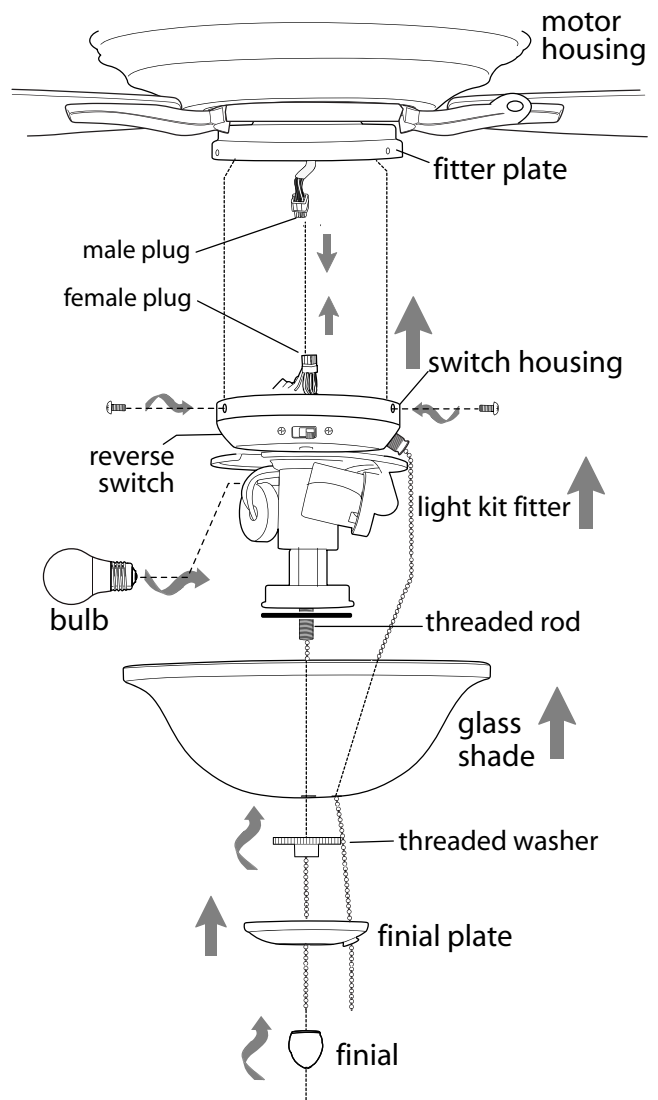
Remove finial, finial plate and threaded washer from threaded rod on light kit fitter.

Raise glass shade in order to guide pull chains through corresponding holes. Align threaded rod on light kit fitter with hole in middle of glass shade and push up gently, allowing threaded rod to come through hole. (*Be sure pull chain for fan operation does not rub against bulb during operation.*) Secure glass shade with threaded washer.

*Do NOT overtighten threaded washer as glass may crack or break.*

Align hole in center of finial plate with threaded rod, allowing pull chains to come through appropriate holes in finial plate, and push up. Thread center pull chain through hole in finial and re-attach finial.

*Do NOT overtighten finial as glass may crack or break.*



## 10. Testing Your Fan.

It is recommended that you test fan before finalizing installation. Restore power from circuit box and light switch (if applicable). Test fan speeds with the pull chain on the switch housing. Start at the OFF position (no blade movement). First pull will set the fan to HI. Second pull will set the fan to MEDIUM. Third pull will set the fan to LOW. Fourth pull will again set the fan to the OFF setting. Test light with the pull chain in the middle. (**diagram 1**) If fan and/or light do (does) not function, please refer to "Troubleshooting" section to solve any issues before contacting Customer Service.

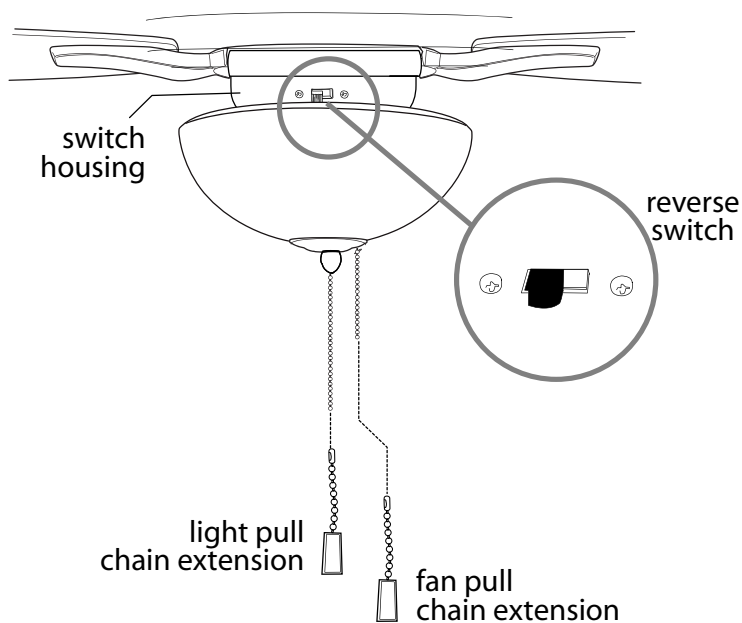
Turn fan completely off *before* moving the reverse switch (located on the switch housing). Set reverse switch to recirculate air depending on the season:

- LEFT position in summer (**diagram 2**)
- RIGHT position in winter (**diagram 3**)

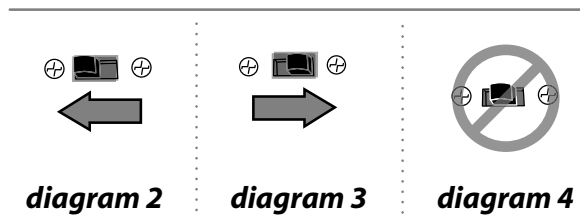
A ceiling fan will allow you to raise your thermostat setting in summer and lower your thermostat setting in winter without feeling a difference in your comfort.

**Important:** Reverse switch must be set either *completely LEFT* or *completely RIGHT* for fan to function. If the reverse switch is set in the *middle* position (**diagram 4**), fan will not operate.

Attach pull chain extension(s) supplied or custom pull chain extension(s) (sold separately) to end(s) of the pull chain(s).



**diagram 1**



**diagram 2**

**diagram 3**

**diagram 4**

## Troubleshooting.

**WARNING:** Failure to disconnect power supply prior to troubleshooting any wiring issues may result in serious injury.

**Problem:** Fan fails to operate.

**Solutions:**

1. Check wall switch to fan.
2. Verify that reverse switch is set completely in either direction.
3. Check to be sure fan is wired properly.
4. Verify that male and female plugs are connected properly in switch housing.

**Problem:** Light kit (optional) not lighting.

**Solutions:**

1. Check wall switch to fan.
2. Check that bulbs are installed correctly.
3. Check to be sure wires in canopy are wired properly.
4. Verify that male and female plugs are connected properly in switch housing.

**Problem:** Fan operates but light fails (if applicable).

**Solutions:**

1. Check that bulbs are installed correctly.
2. Check to be sure wires in canopy are wired properly.
3. Replace defective bulbs with same type of bulb.

**Problem:** Fan wobbles.

**Solutions:**

1. Use the balancing kit provided in one of the hardware packs. *If no blade balancing kit is provided, please call Customer Support, at 1-800-486-4892, to request one.*
2. Check to make sure set screw(s) on motor housing yoke is (are) tightened securely.
3. Check to be sure set screw on hanging ball is tightened securely.

## Parts Replacement.

For parts and information, please refer to "Parts Inventory" on page 3.

Craftmade Customer Support:

**1-800-486-4892**

[www.craftmade.com](http://www.craftmade.com)

## Warranty.

CRAFTMADE™ LIFETIME LIMITED WARRANTY:

CRAFTMADE warrants this fan to the original household purchaser for indoor use under the following provisions:

**1-YEAR WARRANTY:** CRAFTMADE will replace or repair any fan which has faulty performance due to a defect in material or workmanship. Contact Craftmade Customer Service at **1-800-486-4892** to arrange for return of fan. Return fan, shipping prepaid, to Craftmade. We will repair or ship you a replacement fan, and we will pay the return shipping cost.

**5-YEAR WARRANTY:** CRAFTMADE will repair or replace, at no charge to the original purchaser, any fan motor that fails to operate satisfactorily when failure results from normal use.

**RETURN FAN MOTOR ONLY,** shipping prepaid, to Craftmade Industries. We will repair or ship purchaser a replacement motor and Craftmade will pay the return shipping cost.

**6-YEAR to LIFETIME LIMITED WARRANTY:** CRAFTMADE will repair the fan, at no charge for labor only to the original purchaser, if the fan motor fails to operate satisfactorily when failure results from normal use. Parts used in the repair will be billed to the purchaser at prevailing prices at time of repair.

The purchaser shall be responsible for all costs incurred in the removal, reinstallation and shipping of the product for repairs.

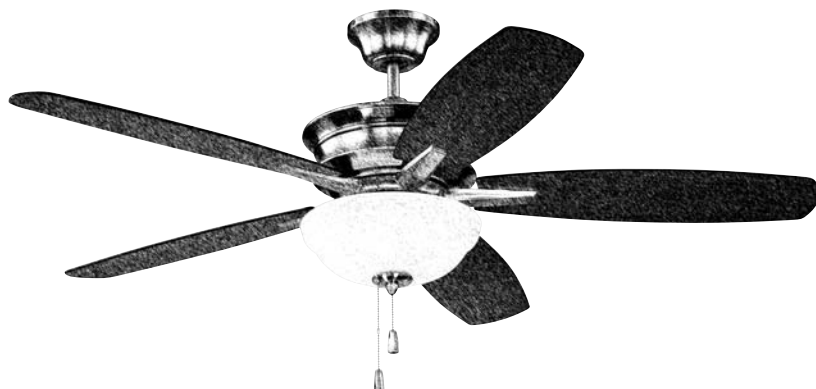
This warranty does not apply when damage from mechanical, physical, electrical or water abuse results in causing the malfunction. Deterioration of finishes or other parts due to time or exposure to salt air is specifically exempted under this warranty.

Neither Craftmade nor the manufacturer will assume any liability resulting from improper installation or use of this product. In no case shall the company be liable for any consequential damages for breach of this, or any other warranty expressed or implied whatsoever. This limitation as to consequential damages shall not apply in states where prohibited.

# CRAFTMADE™

# CRAFTMADE™

LISEZ CES INSTRUCTIONS ET  
CONSERVEZ-LES POUR USAGE FUTUR



## Penbrooke

# Guide d'installation

Pour le modèle :  
**PNB52**

### Table des Matières :

Conseils de sécurité. p. 2

Déballage de votre ventilateur. p. 3

Inventaire pièces. p. 3

Préparation de l'installation. p. 4

Installation du support de suspension. p. 4

Groupe ventilateur. p. 5 - 6

Câblage. p. 6

Montage de la garniture. p. 7

Assemblage des pales. p. 7

Assemblage du Kit d'éclairage (facultatif). p. 8 - 9

Tester votre ventilateur. p. 10

Dépannage. p. 11

Pièces de rechange. p. 11

Garantie. p. 11



poids net du ventilateur : 8,6 kg (18,96 lb)

IMPRIMÉ EN CHINE

# CONSEILS DE SÉCURITÉ.

**AVERTISSEMENT** : Afin de réduire le danger d'électrocution, coupez l'alimentation électrique du ventilateur au niveau du disjoncteur, de l'armoire ou du panneau électrique principal avant de commencer l'installation du ventilateur ou avant d'entreprendre des travaux de réparation ou avant d'installer des accessoires.

**1. LISEZ ATTENTIVEMENT TOUTES LES INSTRUCTIONS ET LES INFORMATIONS DE SÉCURITÉ AVANT D'INSTALLER VOTRE VENTILATEUR ET CONSERVEZ CES INSTRUCTIONS.**

**ATTENTION** : Pour éviter toute blessure corporelle, il peut s'avérer nécessaire de porter des gants lors de la manutention de pièces de ventilateur qui présentent des bords coupants.

- Assurez-vous que tous les branchements électriques sont conformes aux Codes et Ordonnances locales, au Code Électrique national, et à l'ANSI/NFPA 70-1999. Si vous n'êtes pas familier avec le câblage électrique ou si les câbles de la maison/bâtiment sont de couleurs différentes de celles auxquelles il est fait référence dans ces instructions, alors veuillez faire appel à un électricien qualifié.
- Assurez-vous que l'endroit que vous avez choisi pour votre ventilateur présente un espace suffisant pour permettre aux pales de tourner librement et une distance d'au moins 2,13 mètres (7 pieds) entre le sol et les extrémités des pales du ventilateur. Le ventilateur doit être monté de telle sorte qu'il y ait un espace d'au moins 76 centimètres (30 pouces) entre les extrémités des pales et les murs ou autres structures verticales.
- La boîte de sortie et la poutre de support du plafond doivent être solidement arrimées et capables de soutenir une charge d'au moins 16 kilogrammes (35 livres). La boîte de sortie doit être montée directement sur une structure porteuse du bâtiment. Veillez à n'utiliser que des boîtes de sortie approuvées CUL (Canada) ou UL (USA) portant l'inscription « ADAPTÉ POUR SOUTENIR UN VENTILATEUR ».

**AVERTISSEMENT** : Afin de minimiser les risques d'incendie, d'électrocution ou de blessures corporelles, montez sur une boîte de sortie portant la mention « Convient pour soutenir un ventilateur de 15,9 kg (35 Lb) maximum » [« Acceptable for Fan Support of 15.9 kg (35 lb) or less »] et utilisez les vis de fixation fournies avec la boîte de sortie. La plupart des boîtes de sortie communément utilisées pour soutenir des luminaires ne sont pas adéquates pour soutenir un ventilateur et devront éventuellement être remplacées. Consultez un électricien qualifié en cas de doute.

**AVERTISSEMENT** : Pour réduire les risques d'incendie, d'électrocution ou de blessures corporelles, les connecteurs de fils fournis avec ce ventilateur sont conçus pour n'accepter qu'un fil résidentiel de calibre 12 et deux fils en provenance du ventilateur. Si le fil résidentiel est d'un calibre supérieur à 12 ou s'il y a plus d'un fil résidentiel à connecter aux fils correspondants du ventilateur, consulter un électricien pour savoir quelle taille de connecteurs de fils utiliser.

- Les schémas électriques ne sont fournis que pour référence. Les kits d'éclairage qui ne sont pas livrés avec le ventilateur doivent être homologués CUL (Canada) ou UL (USA) avec une mention précisant qu'ils sont adaptés au modèle de ventilateur que vous installez. Les commutateurs doivent être des interrupteurs de type générique homologués CUL (Canada) ou UL (USA). S'en référer aux instructions accompagnant les kits d'éclairage et commutateurs pour un montage correct.
- Lorsque l'installation est terminée, vérifiez que toutes les connexions sont correctement et solidement effectuées.
- Après avoir effectué des branchements électriques, les fils ainsi raccordés doivent être tournés vers le haut et insérés dans la boîte de sortie avec précaution. Les fils doivent être séparés avec le fil de terre et le fil de raccordement à la terre de l'unité positionnés sur les côtés opposés de la boîte de sortie.

**AVERTISSEMENT** : Afin de réduire le danger d'électrocution ou d'incendie, ne pas utiliser ce ventilateur avec un variateur de vitesse à circuit intégré ou régler la vitesse à l'aide d'un interrupteur à variateur intégral. [Le fait d'utiliser un interrupteur à variateur intégral pour contrôler la vitesse du ventilateur occasionnera un vrombissement sourd en provenance du ventilateur.] (**Remarque** : Ce ventilateur est adapté pour utilisation avec une commande à distance.)

- Ne pas actionner le commutateur d'inversion avant que le ventilateur ne soit parvenu à un arrêt complet.
- Ne rien insérer entre les pales du ventilateur lorsqu'elles sont en mouvement.

**AVERTISSEMENT** : En vue de réduire le risque de blessures corporelles, évitez de plier les bras de pales pendant le montage ou après installation. Ne pas introduire d'objets dans la trajectoire des pales.

**AVERTISSEMENT** : Pour éviter toute blessure corporelle ou dommage au ventilateur et autres éléments, faites preuve de prudence lorsque vous travaillez autour du ventilateur ou lorsque vous le nettoyez.

- Ne pas utiliser d'eau ou de détergents pour nettoyer le ventilateur ou les pales du ventilateur. Un chiffon sec ou légèrement humide se prête bien à la plupart des tâches de nettoyage.

**AVERTISSEMENT** : Afin de réduire le risque de blessures corporelles, n'utiliser que les pièces livrées avec ce ventilateur. **L'utilisation de toutes pièces AUTRES que celles fournies avec ce ventilateur annulera la garantie.**

**AVERTISSEMENT** : Ce ventilateur DOIT être installé à l'aide du câble de sécurité fourni avec le ventilateur. Ne pas utiliser le câble de sécurité fourni peut entraîner des blessures corporelles graves, des dommages au ventilateur ou d'autres dommages matériels.

- L'intensité du luminaire peut être réduite à 10 % avec certains gradateurs.

Toutes les modifications qui n'ont pas fait l'objet d'une autorisation expresse de la partie responsable de la conformité peuvent annuler la faculté de l'utilisateur d'utiliser l'appareil. [L'équipement se réfère à la télécommande et/ou la commande murale et/ou le kit d'éclairage DEL.]

\*REMARQUE : Après avoir subi les tests réglementaires, le présent équipement a satisfait aux exigences requises pour les dispositifs numériques de Classe B, conformément aux Règles de la FCC Partie 15. Ces exigences sont destinées à offrir une protection raisonnable contre les interférences néfastes dans le cadre des installations résidentielles. Le présent équipement génère, utilise et peut émettre des fréquences radioélectriques et, s'il n'est pas installé et utilisé conformément aux instructions, peut causer des interférences néfastes aux communications radio. Toutefois, il n'existe aucune certitude que des interférences se produiront dans une installation spécifique. S'il s'avère que le présent équipement produit effectivement des interférences néfastes à la réception radio ou télévision, qui peut être déterminée en mettant en marche puis en arrêtant l'équipement, il est recommandé à l'utilisateur d'essayer de corriger le problème d'interférence en suivant une ou plusieurs des démarches suivantes :

- \* réorienter ou déplacer l'antenne de réception.
- \* augmenter la distance qui sépare l'équipement du récepteur.
- \* brancher l'équipement sur une source électrique raccordée à un circuit différent de celui sur lequel le récepteur est branché.

Consultez et cherchez l'assistance d'un revendeur ou d'un technicien radio/TV expérimenté.

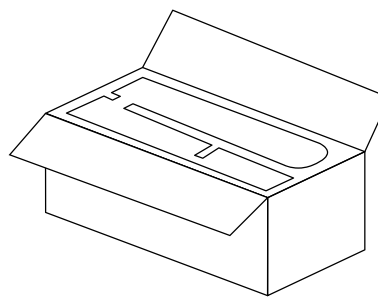
Le kit d'éclairage LED est conforme à la Section 15 de la Réglementation de la FCC. L'utilisation en est soumise aux deux conditions suivantes : (1) ce kit d'éclairage LED ne doit pas causer d'interférences nuisibles, (2) ce kit d'éclairage LED doit accepter toutes les interférences reçues, y compris les interférences qui peuvent causer un fonctionnement non souhaité.

**REMARQUE** : Les précautions de sécurité et les instructions importantes figurant dans le manuel ne sauraient prévoir toutes les conditions et situations possibles. Il est entendu que le bon sens et la prudence sont de rigueur pour l'installation et l'utilisation de ce ventilateur.

# 1. Déballage de votre ventilateur.

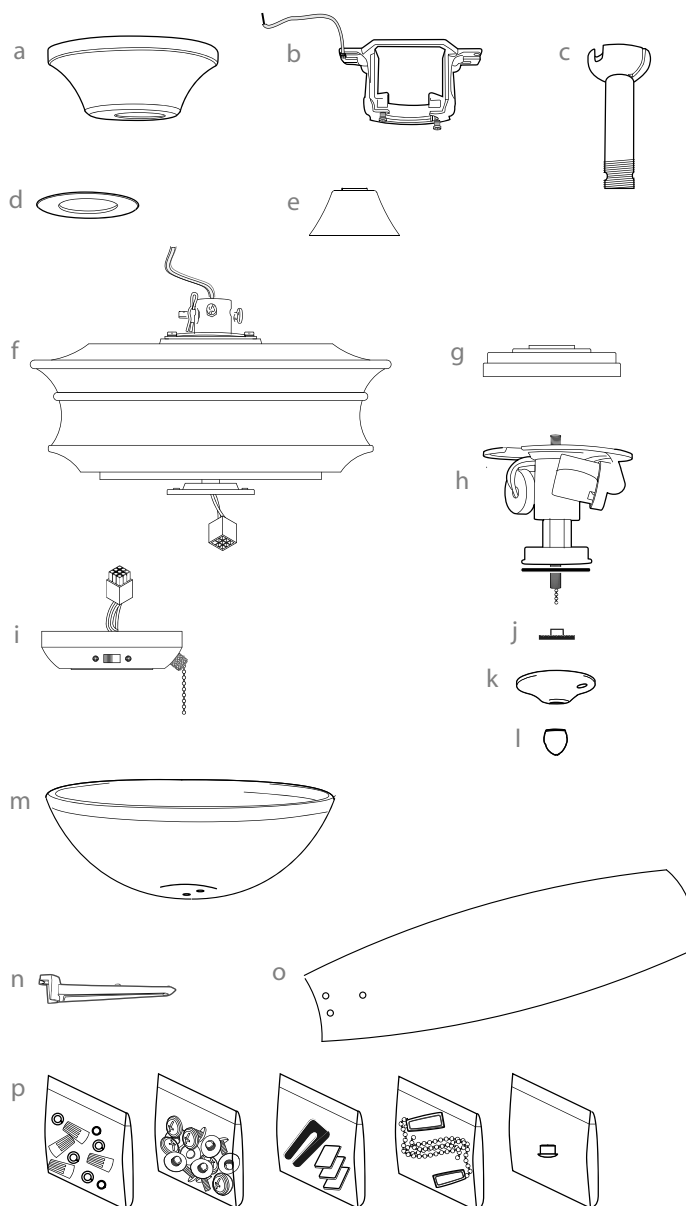
Ouvrir l'emballage avec précaution. Retirer toutes les pièces des inserts en polystyrène. Retirer le carter moteur et le placer sur une pièce de tapis ou de polystyrène afin de ne pas endommager la finition. Ne pas jeter le carton ou les pièces de polystyrène pour le cas où le ventilateur devrait être renvoyé pour réparation.

Vérifier à l'aide de la liste des pièces pour vous assurer que toutes les pièces sont bien présentes.



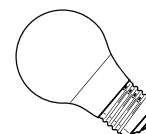
# 2. Inventaire des pièces.

- a. garniture. 1 pièce
- b. support de suspension. 1 pièce
- c. tige et rotule de suspension. 1 pièce
- d. couvercle de garniture (dans le sac de quincaillerie). 1 pièce
- e. couvre étrier. 1 pièce
- f. carter moteur. 1 pièce
- g. plaque d'adaptateur. 1 pièce
- h. adaptateur de kit d'éclairage. 1 pièce
- i. boîtier du commutateur. 1 pièce
- j. rondelle fileté (pre-montée sur l'adaptateur de kit d'éclairage). 1 pièce
- k. plaque de fleuron (pre-montée sur l'adaptateur de kit d'éclairage). 1 pièce
- l. boulon décoratif (pre-monté sur l'adaptateur de kit d'éclairage). 1 pièce
- m. abat-jour en verre. 1 pièce
- n. bras de pale. 5 pièces
- o. pale. 5 pièces
- p. paquets de quincaillerie



**⚠ RAPPEL IMPORTANT :**  
Vous devez utiliser les pièces fournies avec ce ventilateur pour une installation correcte et sûre. **⚠**

**ampoules requises:**  
2 ampoules DEL douille moyenne  
9 watts (incluses)



### 3. Préparation à l'installation.

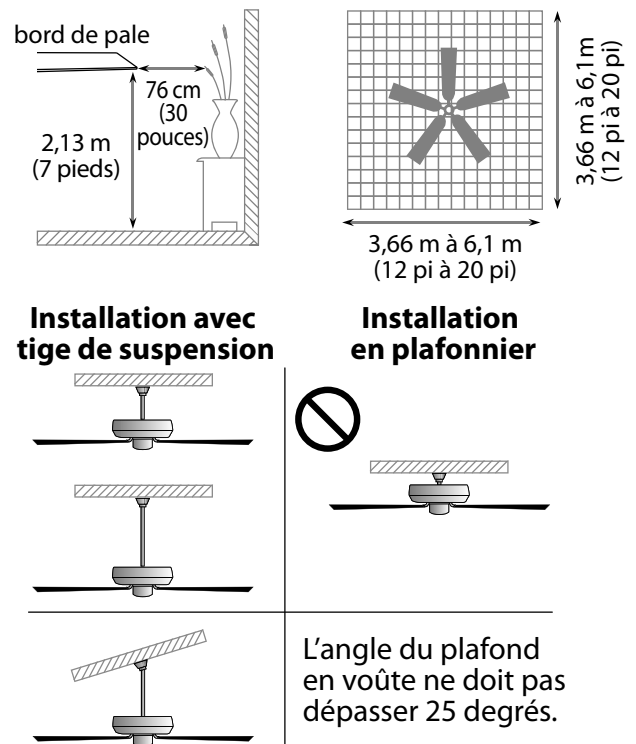
Pour éviter les blessures corporelles et les dommages, assurez-vous que l'emplacement de suspension accorde aux pales un dégagement de 2,13 m (7 pi) du sol et de 76 cm (30 po) de tout mur ou obstruction.

Ce ventilateur convient aux pièces mesurant jusqu'à 37,2 mètres carrés (400 pieds carrés).

Ce ventilateur peut être installé avec une **tige de suspension** sur un plafond ordinaire (sans pente) ou en voûte. La longueur de suspension peut être allongée en achetant une tige de suspension plus longue (1,27 cm/0,5 po de diamètre). Une autre installation, telle qu'en **plafonnier**, n'est pas possible pour ce ventilateur.

#### L'installation requiert les outils suivants :

Tournevis cruciforme, tournevis à tête plate, pince réglable ou clé à molette, escabeau, coupe-fils et ruban isolant homologué.



### 4. Installation du support de suspension.

Coupez l'alimentation électrique du luminaire en place au niveau des coupe-circuits du panneau électrique et assurez-vous que l'interrupteur qui en contrôle le fonctionnement est bien en position ARRÊT.

**AVERTISSEMENT :** Le fait de ne pas débrancher l'alimentation électrique avant l'installation peut causer des blessures graves.

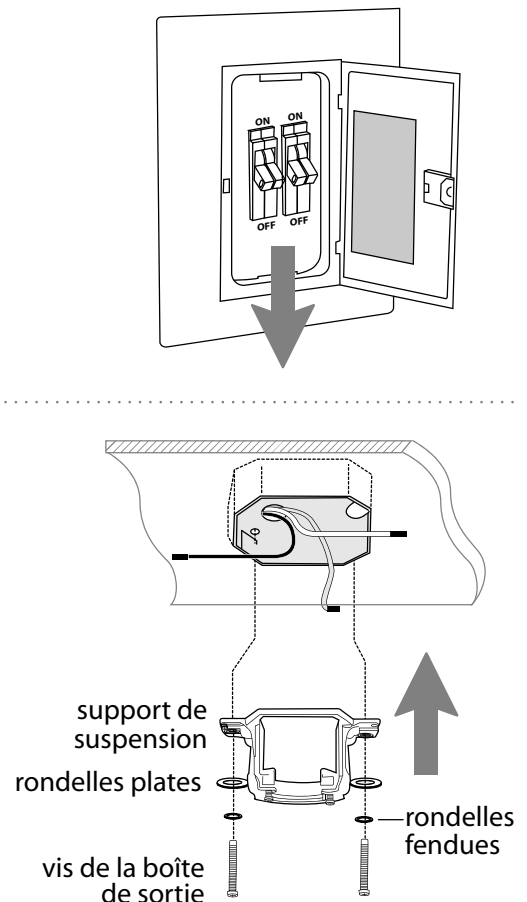
Déposez l'appareil existant.

**AVERTISSEMENT :** Dans le cas de l'utilisation d'une boîte de sortie existante, veillez à s'assurer que la boîte de sortie est solidement fixée à la structure de la construction et qu'elle peut supporter la totalité du poids du ventilateur. Vérifiez que la mention "Adapté pour soutenir un ventilateur" ("FOR FAN SUPPORT") soit clairement indiquée sur la boîte de sortie. Si tel n'est pas le cas, elle doit être remplacée par une boîte de sortie approuvée. Tout défaut à cette règle peut résulter en des blessures graves.

**ATTENTION :** Assurez-vous que la boîte de sortie est correctement reliée à la terre et qu'il existe bien un fil de terre (**VERT** ou dénudé).

Fixez le support de suspension sur la boîte de sortie à l'aide des vis, rondelles fendues et rondelles plates originales fournies avec une nouvelle boîte de sortie ou la boîte de sortie originale.\* En cas d'installation dans un endroit avec un plafond voûté, il y a lieu de veiller à toujours diriger l'ouverture du support de suspension vers le point haut du plafond. Disposez le câblage derrière le support de suspension de telle sorte qu'il soit à l'écart de l'ouverture du support.

**\*Remarque :** Il est très important d'utiliser les pièces de montage prévues à cet effet lorsque vous installez le support de suspension du fait que celles-ci seront appelées à supporter la charge du ventilateur.



## 5. Groupe ventilateur.

Retirer la rotule de suspension de la tige de suspension fournie en desserrant la vis de fixation située sur la rotule de suspension. Glisser la rotule de suspension vers le bas et retirez la goupille d'arrêt puis retirez la rotule de suspension de la tige de suspension. [Reportez-vous au **Schéma 1**.]

Desserrer les vis de fixation et l'écrou de l'étrier situés sur la partie supérieure du carter moteur. Retirer l'ensemble goupille clavette de l'étrier du carter moteur. [Reportez-vous au **Schéma 2**.]

**Conseil :** En préparation du passage des câbles électriques par l'intérieur de la tige de suspension, enrouler l'extrémité des fils électriques avec un petit bout d'isolant électrique - cela permettra de rassembler les fils pour le passage dans la tige de suspension. [Reportez-vous au **Schéma 2**.]

Déterminer la longueur de tige de suspension que vous souhaitez utiliser. Passer le câble de sécurité et les fils électriques dans l'extrémité filetée de la tige de suspension et tirez l'excédent de fil par l'extrémité supérieure de la tige de suspension. [Reportez-vous au **Schéma 2**.]

Glisser la tige de suspension dans l'étrier du carter moteur jusqu'à ce que les trous pratiqués dans la tige de suspension réservés pour la clavette et la goupille soient alignés sur les trous de l'étrier -- *veillez à ce que les fils ne soient pas torsadés*. Réinsérer la goupille et la clavette précédemment retirées. Serrer les vis de fixation et les écrous de l'étrier fermement. [Reportez-vous au **Schéma 2**.]

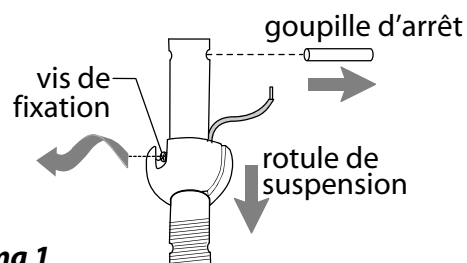
Repérez le couvercle de garniture dans le sac de quincaillerie. Faites glisser le couvre étrier, le couvercle de garniture et la garniture par-dessus la tige de suspension. [Reportez-vous au **schéma 3**.] (**Remarque :** Le couvercle de garniture doit être tourné avec le côté brillant vers le boîtier du moteur.)

Passer le câble de sécurité et les fils par l'ouverture de la rotule de suspension puis glisser la rotule de suspension dans la tige de suspension -- il est à noter que l'extrémité supérieure de la tige de suspension est celle qui est pourvue du trou destiné à recevoir la vis de fixation ; introduire la vis de fixation dans ce trou. Insérer la goupille d'arrêt dans l'extrémité supérieure de la tige de suspension et glisser la rotule de suspension vers le haut. S'assurer que la goupille d'arrêt soit alignée avec les fentes situées sur l'intérieur de la rotule de suspension. Serrer fermement la vis de fixation. [Reportez-vous au **Schéma 4**.]

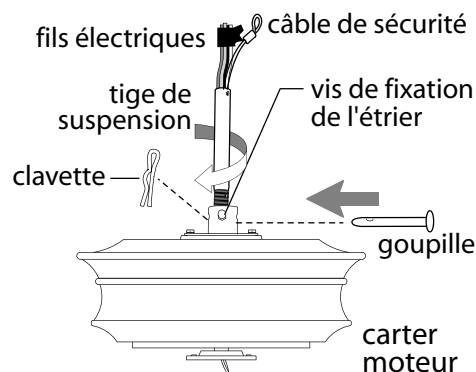
**AVERTISSEMENT :** Le défaut de serrer correctement la vis de fixation (située sur la rotule de suspension) peut entraîner la désolidarisation, voire la chute du ventilateur.

**["Groupe ventilateur" suite à la page suivante.]**

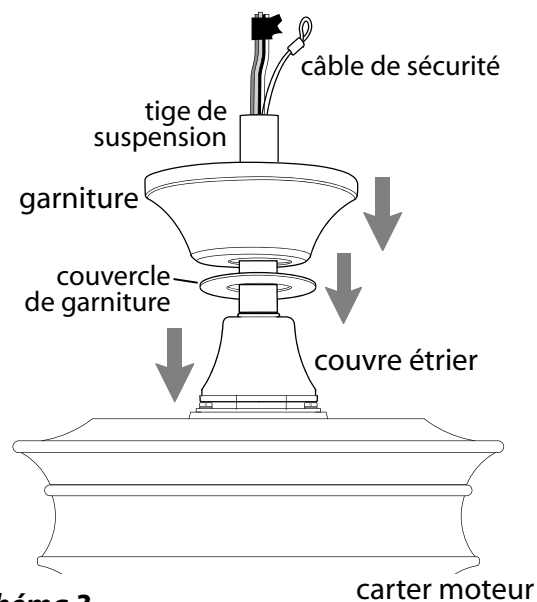
**REMARQUE :** Les précautions de sécurité et les instructions importantes figurant dans le manuel ne sauraient prévoir toutes les conditions et situations possibles. Il est entendu que le bon sens et la prudence sont de rigueur pour l'installation et l'utilisation de ce ventilateur.



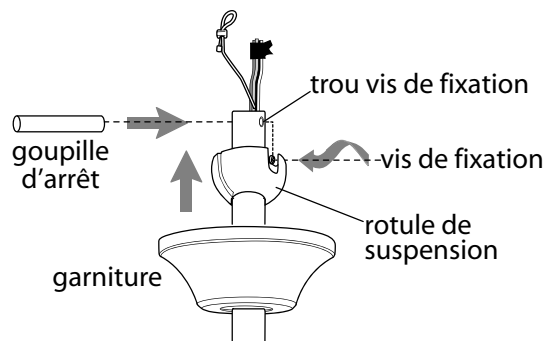
**schéma 1**



**schéma 2**



**schéma 3**



**schéma 4**

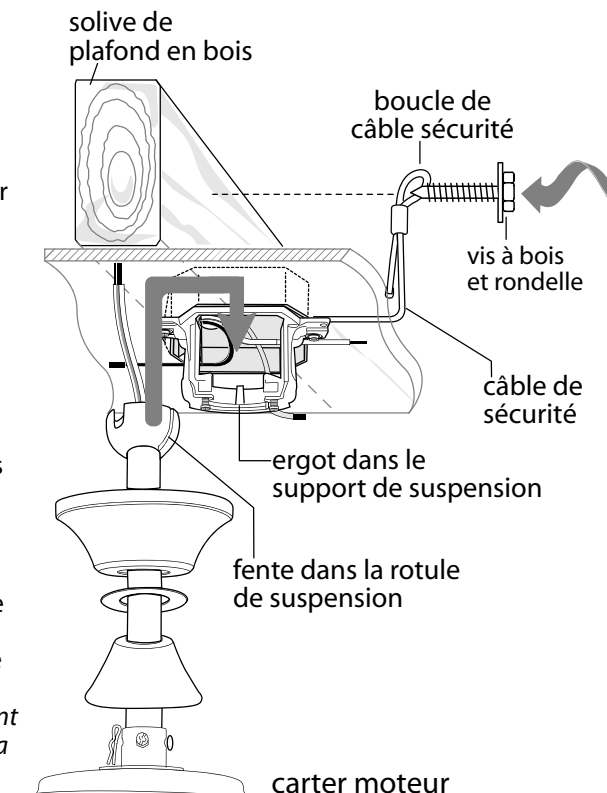
## 5. Groupe ventilateur (Suite.)

Une fois le support de suspension solidement fixé sur la boîte de sortie et prêt à maintenir le ventilateur, vous pouvez suspendre votre ventilateur. Saisir le ventilateur fermement avec deux mains. Glisser la tige de suspension par l'ouverture du support de suspension et laisser la rotule de suspension venir se loger sur le support de suspension. Tourner la fente dans la rotule de suspension jusqu'à ce qu'elle soit alignée avec l'ergot se trouvant dans le support de suspension.

**AVERTISSEMENT** : Le fait de ne pas aligner la fente de la rotule de suspension avec l'ergot du support de suspension peut causer des blessures graves, voire mortelles.

**Conseil** : Demandez l'assistance d'une autre personne pour tenir le marchepied et pour vous aider à lever le ventilateur une fois que vous vous trouvez sur l'échelle.

Trouver un point d'attache solide (une solive de plafond en bois est hautement recommandée) et fixer le câble de sécurité. Il sera nécessaire d'utiliser une vis à bois de gros gabarit, une rondelle et une rondelle autobloquante (non fournies) pour la boucle du câble de sécurité. Si nécessaire, régler la boucle située à l'extrémité du câble de sécurité. La boucle située à l'extrémité du câble de sécurité doit tout juste affleurer les filets de la vis à bois. *Testez le câble de sécurité en tirant sur l'extrémité flottante à l'aide d'une pince. Si le câble de sécurité glisse, la boucle doit être resserrée.* Le mou du câble inutilisé peut être laissé en zone plafond.



## 6. Câblage.

**AVERTISSEMENT** : Coupez l'alimentation électrique du luminaire ou appareil en place au niveau des coupe-circuits du panneau électrique et assurez-vous que l'interrupteur est bien en position OFF (ARRÊT).

**ATTENTION** : Assurez-vous que la boîte de sortie de courant est bien mise à la terre et qu'un fil mis à la terre (VERT ou dénudé) est présent.

Assurez-vous que tous les branchements électriques sont conformes aux codes ou règlements locaux et au Code national de l'électricité. En cas de doute quant à la réalisation du câblage électrique ou si les fils de la maison/du bâtiment sont de couleurs différentes de ceux identifiés dans les instructions ci-dessous, veuillez consulter un électricien qualifié.

**Remarque** : Vous pouvez couper l'excès de longueur des fils de sortie du ventilateur aux longueurs souhaitées, puis les dénuder.

Une fois que votre ventilateur est fixé en place sur le support de suspension, vous pouvez effectuer le câblage électrique comme suit :

Raccordez les fil **NOIR** et **BLEU** du ventilateur au fil **NOIR** du plafond, avec le capuchon de connexion fourni.

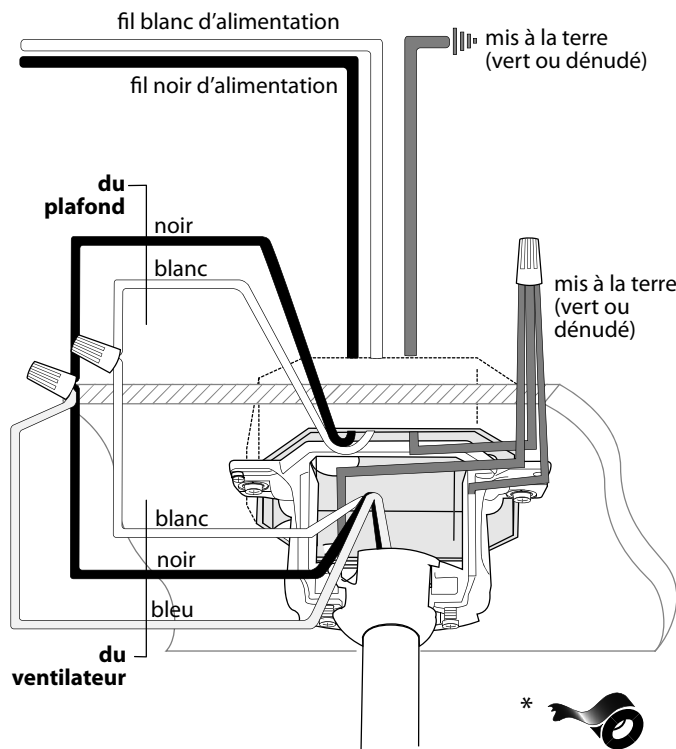
Raccordez le fil **BLANC** du ventilateur au fil **BLANC** du plafond, avec le capuchon de connexion fourni.

Raccordez tous les fils **MIS À LA TERRE (VERTS)** du ventilateur ensemble au fil **DÉNUDÉ/VERT** du plafond, avec le capuchon de connexion fourni.

Si vous avez l'intention de contrôler l'éclairage du ventilateur à partir d'un interrupteur d'éclairage séparé, raccordez le fil **BLEU** du ventilateur au fil d'alimentation **NOIR** (ou **ROUGE**) de l'interrupteur indépendant.

\* Enveloppez chaque capuchon de connexion séparément avec du ruban isolant à titre de mesure de sécurité supplémentaire.

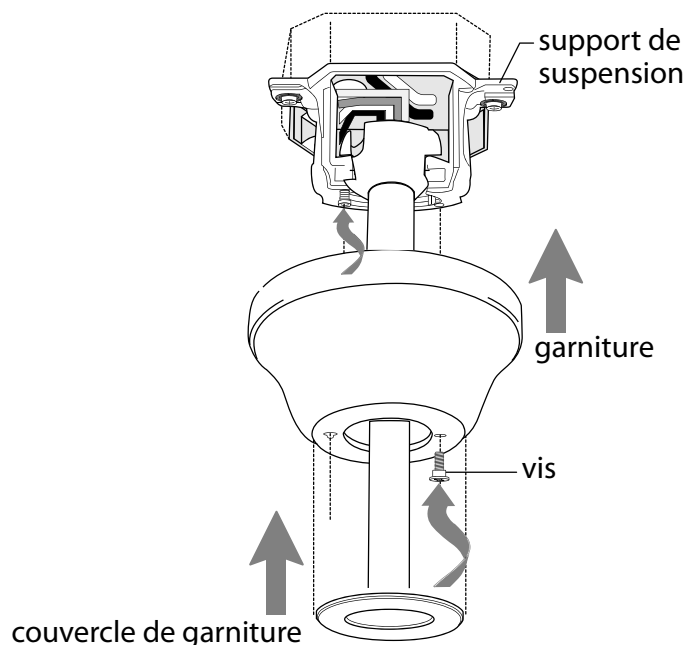
Ce ventilateur peut être adapté à une télécommande (télécommande vendue séparément).



## 7. Montage de la garniture.

Repérez 2 vis sous le support de suspension et retirez la vis la plus proche de l'extrémité ouverte du support de suspension. Desserrer partiellement l'autre vis. Soulevez la garniture jusqu'au support de suspension. Placez la partie arrondie du trou en fente de la garniture par-dessus la vis desserrée du support de suspension et poussez vers le haut. Tournez la garniture pour la verrouiller. Insérez à nouveau la vis retirée auparavant, puis serrez bien les deux vis.

Faites glisser le couvercle de garniture jusqu'à la garniture en alignant la partie arrondie des trous en fente du couvercle de garniture avec les têtes de vis en bas de la garniture. Tournez le couvercle de garniture vers la droite (sens des aiguilles d'une montre) jusqu'à ce qu'il s'arrête.



## 8. Assemblage des pales.

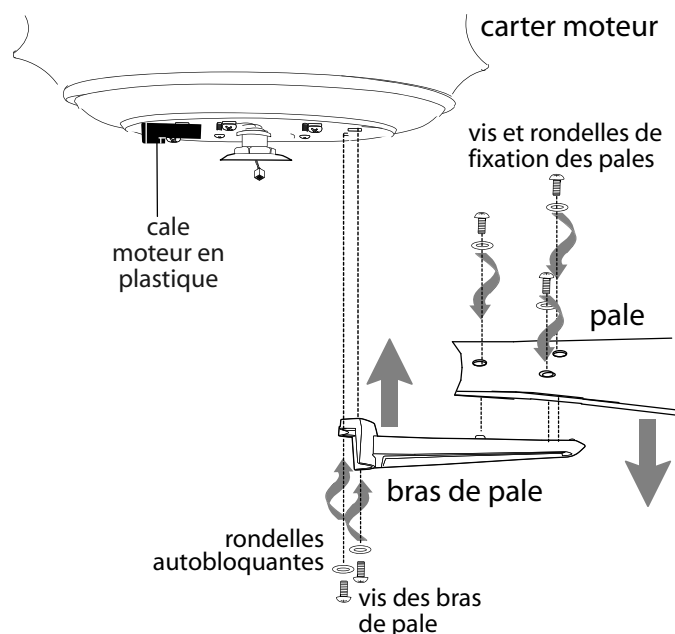
**AVERTISSEMENT** : Afin de réduire le risque de blessures corporelles graves, NE PAS utiliser d'outils électriques pour assembler les pales. Si les vis sont trop serrées, les pales peuvent se fissurer et casser.

**Méthode rapide** : Les rondelles des vis de maintien des pales peuvent être montées sur chaque vis de pale avant d'installer les pales.

Trouver 15 vis de fixation de pales et rondelles dans le paquet de quincaillerie. Faire correspondre les trous des bras de pales avec les trous pratiqués dans les pales. Insérer 3 vis de fixation de pales (avec leurs rondelles) d'abord avec les doigts puis serrez les vis solidement à l'aide d'un tournevis Phillips. Reprendre la procédure pour les pales restantes.

Retirer les vis de fixation des bras de pales ainsi que les rondelles autobloquantes du côté inférieur du moteur. Si des cales moteur en plastique sont installées avec les vis de bras de pales, jeter les cales moteur en plastique (*conservez les vis de fixation des bras de pales et les rondelles autobloquantes pour fixer les bras de pales*). Aligner les trous des bras de pales sur les trous de vis dans le moteur puis fixer le bras de pale avec les rondelles autobloquantes et les vis de fixation des bras de pales. Avant de serrer les vis définitivement, répéter cette procédure avec les bras de pales restants. Serrer fermement toutes les vis.

**REMARQUE** : Resserrer les vis de fixation des bras de pales deux fois par an.



## 9. Assemblage du Kit d'éclairage (facultatif).

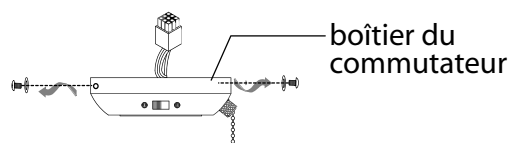
Retirer les 3 vis du bord extérieur du boîtier du commutateur (les conserver pour les réutiliser plus tard). [Voir **schéma 1**.]

Retirer 1 vis de la plaque moteur (située sur la face inférieure du moteur) et desserrer les 2 autres vis. Aligner les trous oblongs de la plaque de l'adaptateur sur les vis déserrées de la plaque moteur, de façon à ce que la prise mâle du carter moteur passe par le trou se trouvant au milieu de la plaque de l'adaptateur. Tourner la plaque de l'adaptateur pour verrouiller l'ensemble. Réinsérer la vis précédemment retirée et resserrer toutes les 3 vis avec un tournevis Phillips. [Voir **schéma 2**.]

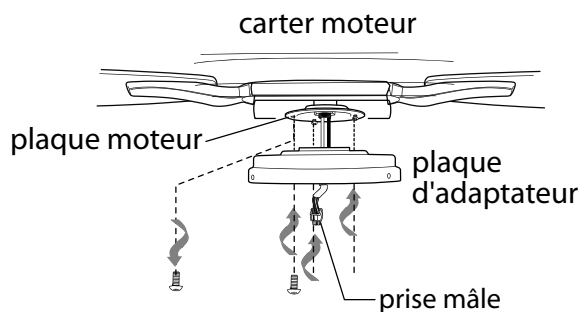
**Si vous souhaitez utiliser le ventilateur SANS kit d'éclairage**, repérez le petit capuchon dans un des paquets de quincaillerie et placez-le fermement dans le trou au centre du boîtier du commutateur. Aligner les trous du boîtier du commutateur avec les trous de la plaque de l'adaptateur. Fixer le boîtier du commutateur à la plaque de l'adaptateur à l'aide des 3 vis précédemment retirées. Resserrer fermement les 3 vis avec un tournevis Phillips. [Voir **schéma 3**.] Passer à la Section 10 à la page 10 pour compléter l'installation sans kit d'éclairage.

**Si vous souhaitez utiliser le ventilateur AVEC le kit d'éclairage**, retirer l'écrou hexagonal et la rondelle autobloquante de la tige filetée située en haut de l'adaptateur du kit d'éclairage. Aligner la tige filetée montée dans l'adaptateur du kit d'éclairage avec le trou central dans le boîtier du commutateur, puis visser le boîtier du commutateur sur la tige filetée. Remettre la rondelle autobloquante en place et fixer à l'aide de l'écrou hexagonal. [Voir **schéma 3**.] Veuillez passer à la page suivante pour utiliser le ventilateur avec le kit d'éclairage.

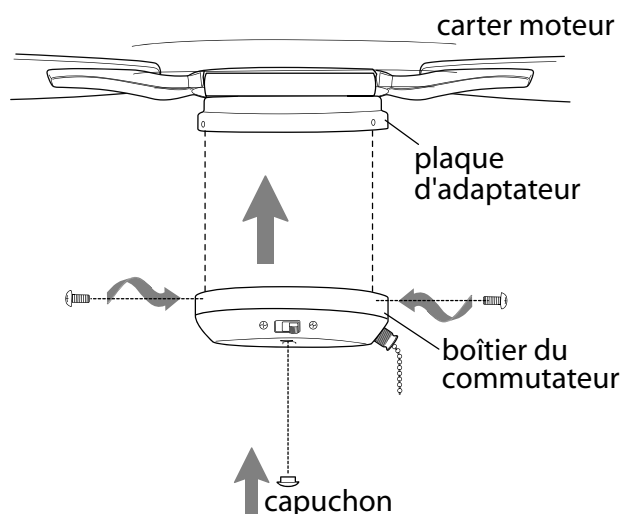
**["Assemblage du kit d'éclairage" suite à la page suivante.]**



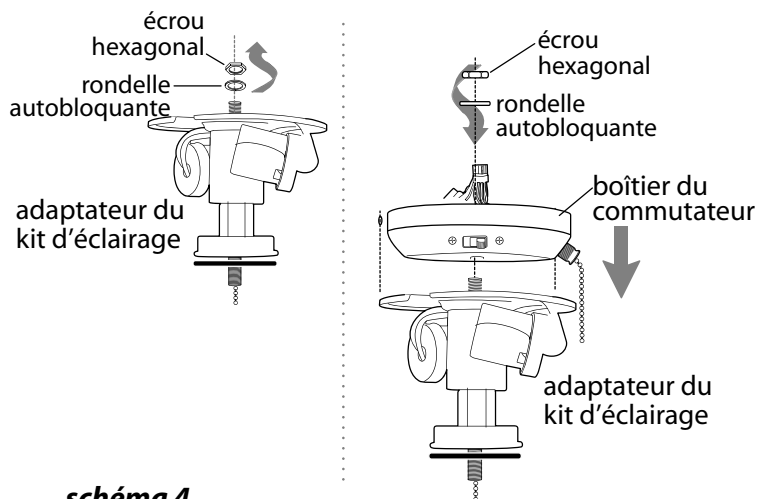
**schéma 1**



**schéma 2**



**schéma 3**



**schéma 4**

## 9. Assemblage du Kit d'éclairage (facultatif). (Suite.)

Raccorder la prise mâle du boîtier du commutateur à la prise femelle de l'adaptateur du kit d'éclairage. S'assurer que les connecteurs sont fermement raccordés.

Arranger soigneusement le câblage au niveau de la plaque de l'adaptateur et aligner les trous dans le boîtier du commutateur avec les trous de la plaque de l'adaptateur. Réinsérer les vis précédemment déposées. Resserrer les 3 vis avec un tournevis Phillips.

Installer 2 ampoules DEL douille moyenne 9 watts (incluses).

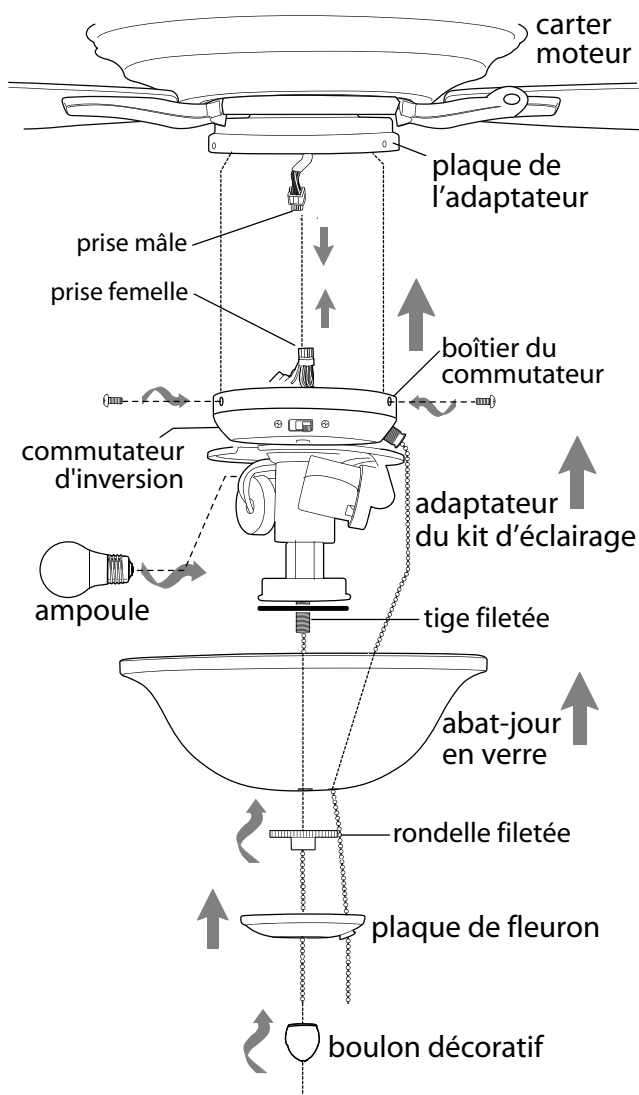
**IMPORTANT** : Attendez que les ampoules et l'abat-jour en verre aient le temps de refroidir avant tout changement d'ampoule.

Déposer le boulon décoratif, la plaque du fleuron, ainsi que la rondelle filetée de la tige filetée sur l'adaptateur du kit d'éclairage.

Lever l'abat-jour en verre pour faire passer les chaînettes à travers les trous prévus à cet effet. Aligner la tige filetée sur l'adaptateur du kit d'éclairage sur le trou qui se trouve au milieu de l'abat-jour en verre et pousser vers le haut en procédant avec précaution pour faire passer la tige filetée à travers le trou. (Assurez-vous que la chaînette de commande du ventilateur ne frotte pas contre l'ampoule lorsque celui-ci fonctionne.) Fixer l'abat-jour en verre avec la rondelle filetée.

*Ne PAS exercer une pression trop forte au niveau de la rondelle filetée car cela pourrait causer fissures ou bris de glace.*

Aligner le trou qui se trouve au centre de la plaque du fleuron avec la tige filetée, permettant ainsi aux chaînettes de passer par les trous prévus à cet effet dans la plaque du fleuron, et pousser vers le haut. Passer la chaînette centrale par le trou du boulon décoratif et remonter le boulon décoratif. *Ne PAS exercer une pression trop forte au niveau du boulon décoratif car cela pourrait causer fissures ou bris de glace.*



## 10. Tester votre ventilateur.

Il est recommandé de tester le ventilateur avant de mettre la dernière main à votre installation. Rétablir l'alimentation électrique à partir du disjoncteur et de l'interrupteur d'éclairage (le cas échéant). Tester les vitesses de fonctionnement du ventilateur à l'aide de la chaînette du boîtier du commutateur. Commencer en position ARRÊT (aucun mouvement de pale). Tirer une première fois pour la vitesse la PLUS ÉLEVÉE. Tirer une deuxième fois pour la vitesse MOYENNE. Tirer une troisième fois pour la vitesse LENTE. Tirer quatre fois, le ventilateur revient à la position ARRÊT. Tester l'éclairage avec la chaînette du milieu. (**schéma 1**) Si le ventilateur et/ou la lumière ne fonctionne(nt) pas, veuillez consulter la section "Dépannage" pour résoudre toute question avant de contacter le Service Clientèle.

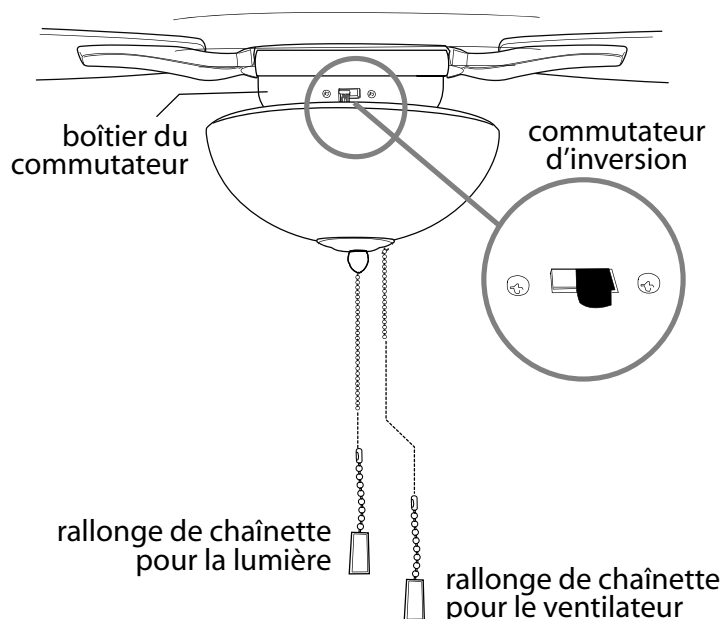
Arrêter le ventilateur complètement *avant* d'actionner le commutateur d'inversion (situé sur le boîtier du commutateur). Amener le commutateur d'inversion en position de recyclage/brassage d'air selon la saison :

- Position GAUCHE pour l'été (**schéma 2**)
- Position DROITE pour l'hiver (**schéma 3**)

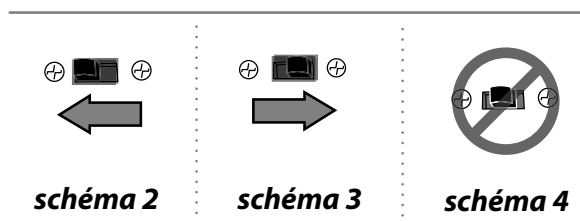
Un ventilateur de plafond vous permettra de régler votre thermostat sur une température plus élevée en été et moins élevée en hiver sans que cela n'affecte votre confort.

**Important :** Le commutateur d'inversion doit être amené *complètement vers la GAUCHE* ou *complètement vers la DROITE* pour que le ventilateur fonctionne. Si le commutateur d'inversion se trouve en position *médiane* (**schéma 4**), le ventilateur ne fonctionnera pas.

Fixer la (les) rallonge(s) de chaînette fournie(s) ou la (les) rallonge(s) de chaînette personnalisée(s) [vendue(s) séparément] aux extrémité(s) de la (des) chaînette(s).



**schéma 1**



**schéma 2**

**schéma 3**

**schéma 4**

## Dépanage

**AVERTISSEMENT :** *Le fait de ne pas débrancher l'alimentation électrique avant toute recherche de panne ou de diagnostic de problèmes au niveau du câblage peut entraîner des blessures graves.*

**Problème :** Le ventilateur ne fonctionne pas.

**Solutions :**

1. Vérifiez l'interrupteur mural du ventilateur.
2. Vérifiez que le commutateur d'inversion est basculé complètement sur l'une ou l'autre direction.
3. Vérifiez si le ventilateur est correctement câblé.
4. Vérifiez que les prises mâle et femelle dans le boîtier du commutateur sont correctement raccordées.

**Problème :** Kit d'éclairage (en option) ne s'allume pas.

**Solutions :**

1. Vérifiez l'interrupteur mural du ventilateur.
2. Vérifiez si les ampoules sont correctement installées.
3. Vérifiez si les fils se trouvant dans la garniture sont raccordés correctement.
4. Vérifiez que les prises mâle et femelle dans le boîtier du commutateur sont correctement raccordées.

**Problème :** Le ventilateur fonctionne mais l'éclairage (si prévu) ne fonctionne pas.

**Solutions :**

1. Vérifiez si l'ampoule est correctement installée.
2. Vérifiez si les fils se trouvant dans la garniture sont raccordés correctement.
3. Remplacez l'ampoule défectueuse avec une ampoule du même type.

**Problème :** Le ventilateur oscille.

**Solutions :**

1. Utilisez le kit d'équilibrage fourni dans un des paquets de pièces. *Si aucun kit d'équilibrage de pales n'est fourni, veuillez contacter le service d'Assistance Clientèle au 1 800 486-4892 pour en demander un.*
2. Vérifiez et assurez-vous que la (les) vis de fixation sur l'étrier du boîtier moteur est (sont) fermement serrée(s).
3. Vérifiez et assurez-vous que la vis de fixation de la rotule de suspension est bien serrée.

## Remplacement des pièces.

Pour les pièces et informations, veuillez consulter la « Liste des pièces » en page 3.

Service clientèle Craftmade:

**1 800 486-4892**

[www.craftmade.com](http://www.craftmade.com)

## Garantie

GARANTIE LIMITÉE À VIE CRAFTMADE™ :

CRAFTMADE garantit ce ventilateur au ménage acheteur d'origine pour une utilisation en intérieur selon les dispositions et aux conditions suivantes :

**GARANTIE DE 1 AN :** CRAFTMADE remplacera ou procédera à la réparation de tout ventilateur au fonctionnement défectueux en raison d'un défaut de pièce ou de main d'œuvre. Contactez le Service Clientèle de Craftmade au **1 800 486-4892** pour convenir des dispositions à prendre pour renvoyer le ventilateur. Renvoyez le ventilateur, port payé, à Craftmade. Nous procéderons à la réparation ou vous enverrons un ventilateur de remplacement et prendrons en charge les frais d'envoi pour le retour.

**GARANTIE QUINQUÉNNALE :** CRAFTMADE procédera à la réparation ou au remplacement, sans frais pour le consommateur initial, de tout moteur de ventilateur qui ne fonctionne pas de façon satisfaisante, lorsque cette défaillance résulte d'une utilisation normale.

**RENVOYEZ LE MOTEUR DU VENTILATEUR UNIQUEMENT** en port payé à Craftmade Industries. Nous procéderons à la réparation ou enverrons au consommateur un moteur de remplacement et Craftmade prendra en charge les frais d'envoi pour le retour.

**GARANTIE LIMITÉE de 6 ANS à VIE :** CRAFTMADE procédera à la réparation du ventilateur, sans frais de main d'œuvre uniquement pour le consommateur initial, si le moteur ne fonctionne pas de façon satisfaisante, et lorsque cette défaillance résulte d'une utilisation normale. Les pièces utilisées pour la réparation seront facturées au consommateur aux tarifs en vigueur au moment de la réparation.

Tous les frais encourus pour la dépose, la réinstallation et l'envoi des produits à réparer seront à la charge du consommateur.

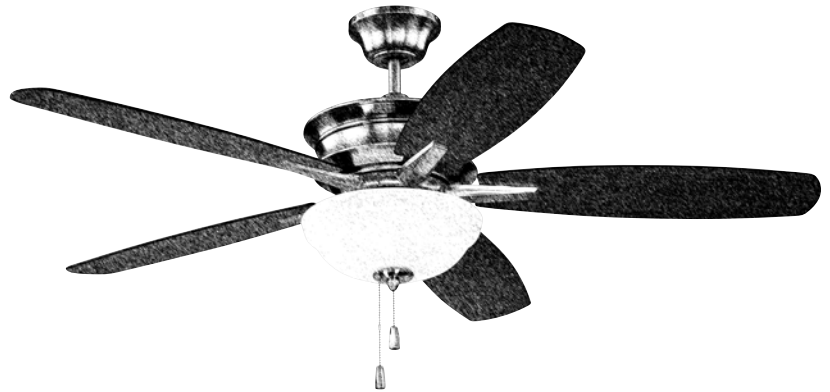
Cette garantie devient caduque lorsque la défaillance est le résultat d'une mauvaise utilisation mécanique, physique, électrique ou provient de dégâts des eaux. Il est spécifiquement entendu que la détérioration des finitions ou d'autres parties en raison du temps ou de l'exposition prolongée à l'air marin n'est pas couverte par la présente garantie.

Craftmade ni le fabricant n'assumeront une quelconque responsabilité résultant d'une mauvaise installation ou utilisation de ce produit. En aucun cas la société ne saura-t-elle être tenue pour responsable quant à de quelconques dommages connexes par suite de la rupture explicite ou implicite de la présente ou de toute autre garantie. Ces restrictions concernant les dommages connexes ne s'appliquent pas dans les états où elles sont interdites.

# CRAFTMADE™

# CRAFTMADE™

LEER ESTAS INSTRUCCIONES Y  
GUARDARLAS PARA UTILIZACIÓN FUTURA



## Penbrooke

# Guía de instalación

Para modelo:  
**PNB52**

### Índice de materias:

Sugerencias de seguridad. Pág. 2

Desempaquetado del ventilador. Pág. 3

Inventario de piezas. Pág. 3

Preparación para la instalación. Pág. 4

Instalación del soporte de montaje. Pág. 4

Ensamblaje del ventilador. Págs. 5 - 6

Instalación eléctrica. Pág. 6

Colocación de la cubierta decorativa. Pág. 7

Colocación de las aspas. Pág. 7

Instalación del juego de luz (opcional). Págs. 8 - 9

Verificación del funcionamiento del  
ventilador. Pág. 10

Localización de fallas. Pág. 11

Piezas de repuesto. Pág. 11

Garantía. Pág. 11



peso neto del ventilador: 8,6 kg. (18,96 lb)

IMPRESO EN CHINA

# SUGERENCIAS DE SEGURIDAD.

**ADVERTENCIA:** Para evitar la posibilidad de una descarga eléctrica, desconectar la corriente en la caja de fusibles principal o el interruptor protector antes de iniciar la instalación del ventilador o antes de repararlo o instalar accesorios.

## 1. LEER TODAS LAS INSTRUCCIONES E INFORMACIÓN DE SEGURIDAD CUIDADOSAMENTE ANTES DE INSTALAR SU VENTILADOR Y GUARDAR ESTAS INSTRUCCIONES.

**PRECAUCIÓN:** Para reducir el riesgo de daño corporal, es posible que sea necesario usar guantes al manejar las piezas del ventilador que tengan bordes afilados.

2. Asegurarse de que todas las conexiones eléctricas cumplan con los Códigos o las Ordenanzas Locales, el Código Nacional Eléctrico y ANSI/NFPA 70-1999. Si usted no está familiarizado con el alambrado eléctrico o los cables de la casa/el edificio son de colores diferentes a los cuales se refieren en las instrucciones, favor de buscar un electricista calificado.
3. Asegurarse de que haya localizado una ubicación para su ventilador que permite el espacio necesario para la rotación de las aspas, y por lo menos 2,13 metros (7 pies) de espacio libre entre el piso y las puntas de las aspas. Debe instalar el ventilador para que las puntas de las aspas queden a una distancia de por lo menos 76 centímetros (30 pulgadas) de las paredes y otras estructuras verticales.
4. La caja de salida eléctrica debe estar bien sujeta a la viga de soporte del techo y deben ser capaces de sostener por lo menos 16 kilogramos (35 libras). La caja de salida debe tener apoyo directo de la estructura del edificio. Sólo usar cajas de salida registradas con CUL (Canadá) o UL (EEUU) que indican que "sirven para ventilador" ("FOR FAN SUPPORT" en inglés).

**ADVERTENCIA:** Para reducir el riesgo de incendio, descarga eléctrica o daño corporal, instalar en la caja de salida marcada "Aceptable para sostener ventilador de 15,9 kg (35 lb) o menos" ["Acceptable for Fan Support of 15.9 kg (35 lb) or less"] y utilizar los tornillos proporcionados con la caja de salida. La mayoría de las cajas de salida que normalmente se usan para sostener los aparatos de alumbrado no siempre son apropiadas para sostener ventiladores y es posible que las tenga que reemplazar. En caso de duda, consultar con un electricista calificado.

**ADVERTENCIA:** Para reducir el riesgo de incendio, descarga eléctrica o daño corporal, los conectores para cable provistos con este ventilador son diseñados para aceptar sólo un cable de calibre 12 de la casa y dos cables principales del ventilador. Si el calibre del cable de la casa es superior al 12 o hay más de un cable de la casa para conectar a los cables principales del ventilador al cual corresponda cada uno, consultar con un electricista para informarse sobre el tamaño correcto de conectores para cable que se debe usar.

5. Los diagramas eléctricos son únicamente para referencia. Los juegos de luz que no se incluyen con el ventilador deben tener el símbolo CUL (Canadá) o UL (EEUU) y también deben indicar que sirven para uso con este ventilador. Los interruptores deben ser interruptores de uso general CUL (Canadá) o UL (EEUU). Referirse a las instrucciones incluidas con el juego de luz y los interruptores para ensamblarlos correctamente.
6. Después de haber terminado la instalación, asegurarse de que todas las conexiones estén totalmente seguras.
7. Después de haber terminado todas las conexiones eléctricas, los conductores empalmados deben ser volteados para arriba y colocados cuidadosamente dentro de la caja de salida. Los alambres se deben de separar con el conductor a tierra a un lado y el conductor a tierra del equipo al lado opuesto.

**ADVERTENCIA:** Para reducir el riesgo de incendio o una descarga eléctrica, no usar el ventilador con ningún control de velocidad de estado sólido ni controlar la velocidad del ventilador con un interruptor con reductor de luz de gama completa. [El usar un interruptor con reductor de luz de gama completa para controlar la velocidad del ventilador causará un zumbido recio del ventilador.] (**Nota:** Este ventilador sí sirve para usar con control remoto.)

8. No utilizar el interruptor de reversa hasta que el ventilador se haya parado completamente.
9. No insertar ningún objeto entre las aspas mientras estén rotando.

**ADVERTENCIA:** Para reducir el riesgo de daño corporal, no doblar los brazos de las aspas durante el ensamblaje ni durante la instalación. No insertar objetos entre las aspas mientras estén rotando.

**ADVERTENCIA:** Para reducir el riesgo de daño corporal o algún daño al ventilador, tener cuidado al estar trabajando alrededor del ventilador o limpiándolo.

10. No utilizar agua ni detergentes para limpiar el ventilador ni las aspas. Usar un trapo seco o ligeramente húmedo para su limpieza general.

**ADVERTENCIA:** Para reducir el riesgo de daño corporal, usar **sólo** las piezas provistas con este ventilador. **Al usar piezas DISTINTAS a las provistas con este ventilador se invalidará la garantía.**

**ADVERTENCIA:** Este ventilador DEBE instalarse con el cable de seguridad provisto. Si no se utiliza el cable de seguridad provisto, se pueden producir lesiones personales, daños al ventilador o a otras propiedades.

11. El juego de luz LED se puede regular al 10% con reguladores seleccionados.

Las modificaciones no aprobadas por la parte responsable de la conformidad podrían invalidar la autorización del usuario para manejar el equipo. [El equipo se refiere al control remoto y/o el control de pared y/o el juego de luz LED.]

\*NOTA: Se han hecho pruebas en este equipo y se ha comprobado que cumple con los límites para un aparato digital de clase B, de acuerdo con la Parte 15 de las Reglas de la FCC. Se concibieron estos límites para proveer protección razonable contra la interferencia adversa en una instalación residencial. Este equipo produce, usa y puede radiar energía de radiofrecuencia y, si no se instala y no se usa según las instrucciones, puede causar interferencia adversa en la radiocomunicación. Sin embargo, no hay ninguna garantía de que no habrá interferencia en una instalación en particular. Si este equipo sí causa interferencia adversa en la recepción de radio o televisión, que se puede determinar apagando y prendiendo el equipo, se le urge al usuario a intentar rectificar la interferencia tomando una o más de las medidas que siguen:

- \* Orientar la antena de nuevo o localizarla en otro sitio.
- \* Aumentar la separación entre el equipo y el receptor.
- \* Conectar el equipo a un tomacorriente en un circuito distinto al cual está conectado el receptor.

Solicitar ayuda del distribuidor o un técnico de radio/televisión.

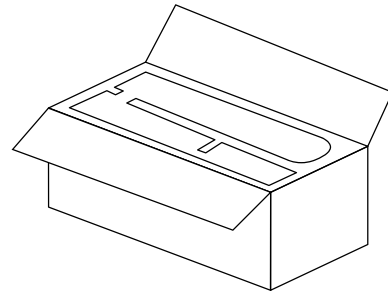
El juego de luz LED cumple con la sección 15 de las reglas de la FCC. Se sujeta el funcionamiento a las dos condiciones siguientes: (1) este juego de luz LED no puede causar una interferencia perjudicial, (2) este juego de luz LED tiene que aceptar cualquier interferencia recibida, inclusive interferencia que puede producir un funcionamiento indeseado.

**NOTA:** No se debe concluir que las precauciones de seguridad importantes e instrucciones en este manual van a abarcar todas las condiciones y situaciones posibles que puedan ocurrir. Se debe entender que el sentido común y la precaución son factores necesarios en la instalación y la operación de este ventilador.

# 1. Desempaquetado del ventilador.

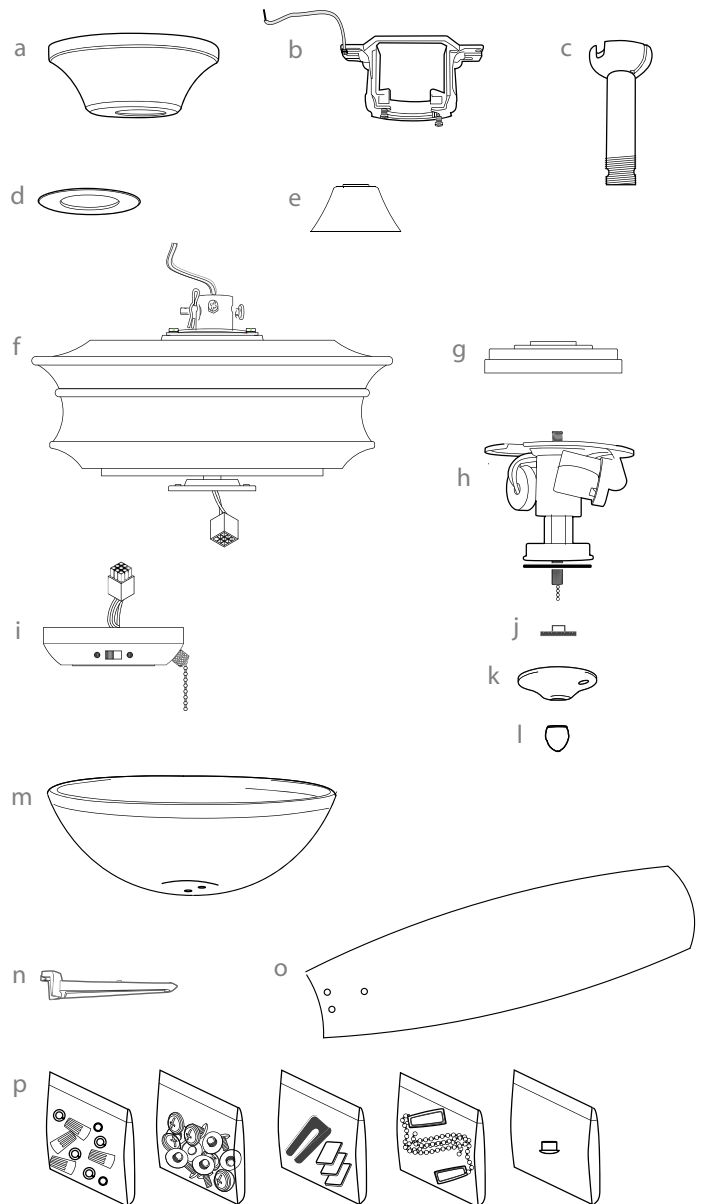
Abrir el empaque cuidadosamente. Sacar los artículos del embalaje. Sacar el motor y ponerlo en una alfombra o en el embalaje para evitar rayar el acabado. Guardar la caja de cartón o el empaquetamiento original en caso de que tenga que mandar el ventilador para alguna reparación.

Comprobar las piezas del ventilador con el inventario de piezas y verificar que se incluyeron todas.



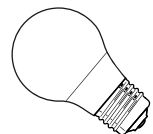
# 2. Inventario de piezas.

- a.** cubierta decorativa. 1 unidad
- b.** soporte de montaje. 1 unidad
- c.** tubo y bola que sirve para colgar. 1 unidad
- d.** tapa de la cubierta decorativa (en paquete de artículos de ferretería). 1 unidad
- e.** cubierta del cuello. 1 unidad
- f.** bastidor del motor. 1 unidad
- g.** placa de conexión. 1 unidad
- h.** conector para el juego de luz. 1 unidad
- i.** caja de encendido. 1 unidad
- j.** arandela con rosca (fijada de antemano al conector para el juego de luz). 1 unidad
- k.** placa del adorno con rosca (fijada de antemano al conector para el juego de luz). 1 unidad
- l.** adorno con rosca (fijado de antemano al conector para el juego de luz). 1 unidad
- m.** pantalla de vidrio. 1 unidad
- n.** brazo para el aspa. 5 unidades
- o.** aspa. 5 unidades
- p.** paquetes de artículos de ferretería



**⚠ RECORDATORIO IMPORTANTE:**  
Se tienen que utilizar las piezas provistas con este ventilador para una instalación adecuada y su seguridad. **⚠**

**bombillas necesarias:**  
2 bombillas LED de base mediana de 9 vatios (incluidas)



### 3. Preparación para la instalación.

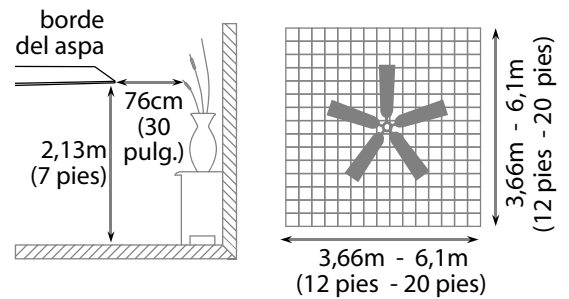
Para prevenir daño corporal y otros daños, estar seguro de que el lugar en donde va a colgar el ventilador le permite un espacio libre de 2,13m (7 pies) entre las puntas de las aspas y el piso y 76cm (30 pulg.) entre las aspas y cualquier pared u otra obstrucción.

Este ventilador es adecuado para habitaciones hasta 37,2 metros cuadrados (400 pies cuadrados).

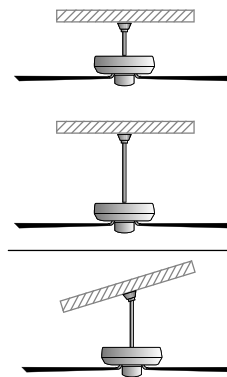
Se puede colgar este ventilador **con tubo** en un techo regular (sin inclinación) o abovedado. La longitud colgante se puede extender comprando un tubo más largo (con diámetro de 1,27 cm/0,5 pulg.). No hay ningún otro tipo de instalación, como **al ras con el techo**, disponible para este ventilador.

#### Se necesitan las herramientas siguientes para la instalación:

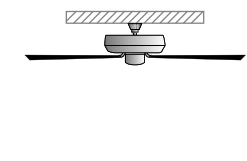
Destornillador de estrella Phillips, destornillador de paleta (plano), alicates ajustables o llave de tuercas, escalera de tijera, cortaalambres y cinta aisladora.



#### instalación con tubo



#### instalación al ras con el techo



El ángulo de inclinación de un techo abovedado no debe exceder los 25 grados.

### 4. Instalación del soporte de montaje.

Apagar los cortacircuitos en el panel de electricidad que suplen corriente a la caja de salida y asegurarse de que el interruptor de luz esté APAGADO.

**ADVERTENCIA:** El no desconectar el suministro de fuerza antes de la instalación puede tener por resultado lesiones graves.

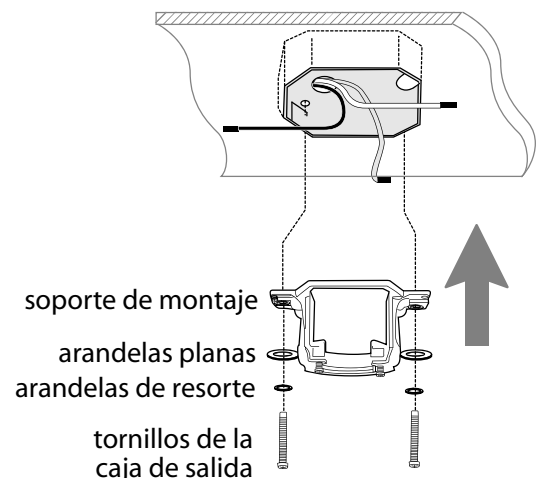
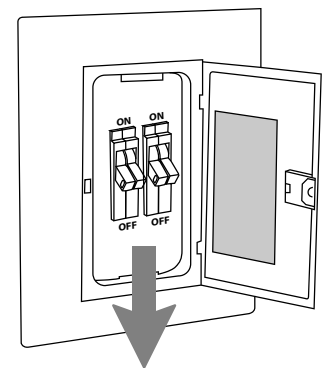
Quitar el aparato existente.

**ADVERTENCIA:** Si utiliza una caja de salida existente, asegurarse de que la caja de salida esté firmemente conectada a la estructura del edificio y que sea capaz de sostener el peso total del ventilador. Asegurarse de que la caja de salida indique claramente que "Sirve para ventilador" (FOR FAN SUPPORT); si no, se debe reemplazar con una caja de salida aprobada. El no hacer el cambio si es necesario puede resultar en lesiones graves.

**PRECAUCIÓN:** Asegurarse de que la caja de salida esté conectada a tierra correctamente y que haya un conductor a tierra (**VERDE** o pelado).

Instalar el soporte de montaje utilizando los tornillos originales, las arandelas de resorte y las arandelas planas de su nueva o existente caja de salida.\* Si hace la instalación en un techo abovedado, colocar el soporte de montaje con la abertura dirigida hacia la parte alta del techo. Arreglar el alambrado eléctrico (los cables) en la parte de atrás del soporte y lejos de la abertura del soporte.

**\*Nota:** Es muy importante usar los artículos de ferretería correctos al instalar el soporte de montaje puesto que sirve para sostener el ventilador.



## 5. Ensamblaje del ventilador.

Quitar la bola que sirve para colgar del tubo provisto aflojando el tornillo de fijación de la bola que sirve para colgar. Bajar la bola que sirve para colgar y sacar el perno de tope y luego quitar la bola que sirve para colgar deslizando. [Referirse al **diagrama 1**.]

Aflojar los tornillos de fijación del cuello y las tuercas en la parte superior del bastidor del motor. Quitar el perno y la clavija del cuello del bastidor del motor. [Referirse al **diagrama 2**.]

**Sugerencia:** Para preparar los cables para pasarlos por el tubo, poner un pedacito de cinta aisladora en la punta de los cables—esto mantendrá los cables juntos al pasarlos por el tubo. [Referirse al **diagrama 2**.]

Determinar el largo del tubo que desea usar. Pasar los cables del ventilador y el cable de seguridad a través del extremo roscado del tubo y con cuidado jalar el cableado en exceso por la parte de arriba del tubo. [Referirse al **diagrama 2**.]

Enroscar el tubo en el cuello del bastidor del motor hasta alinearse los agujeros para el perno y la clavija en el tubo con los del cuello—asegurarse de que no se tuerzan los cables. Volver a introducir el perno y la clavija que se quitaron anteriormente. Apretar los tornillos de fijación del cuello y la tuerca completamente. [Referirse al **diagrama 2**.]

Localizar la tapa de la cubierta decorativa en uno de los paquetes de artículos de ferretería. Deslizar la cubierta del cuello, la tapa de la cubierta decorativa y la cubierta decorativa por el tubo. [Referirse al **diagrama 3**.] (**Nota:** Se tiene que voltear la tapa de la cubierta decorativa para que el lado brillante dé al bastidor del motor.)

Pasar el cable de seguridad y los cables por la bola que sirve para colgar y luego deslizar la bola que sirve para colgar sobre el tubo—la parte de arriba del tubo debe tener el agujero para el tornillo de fijación en ese extremo; usar ese agujero al colocar el tornillo de fijación. Introducir el perno de tope en la parte de arriba del tubo y subir la bola que sirve para colgar. Asegurarse de que el perno de tope se ponga en línea con las ranuras dentro de la bola que sirve para colgar. Apretar bien el tornillo de fijación. [Referirse al **diagrama 4**.]

**ADVERTENCIA:** Si no se aprieta bien el tornillo de fijación (en la bola que sirve para colgar) es posible que se afloje el ventilador y que se caiga.

[El "Ensamblaje del ventilador" continúa en la página siguiente.]

**NOTA:** No se debe concluir que las precauciones de seguridad importantes e instrucciones en este manual van a abarcar todas las condiciones y situaciones posibles que puedan ocurrir. Se debe entender que el sentido común y la precaución son factores necesarios en la instalación y la operación de este ventilador.

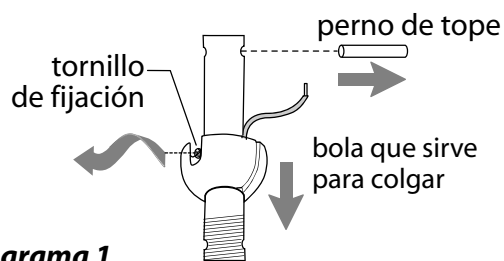


diagrama 1

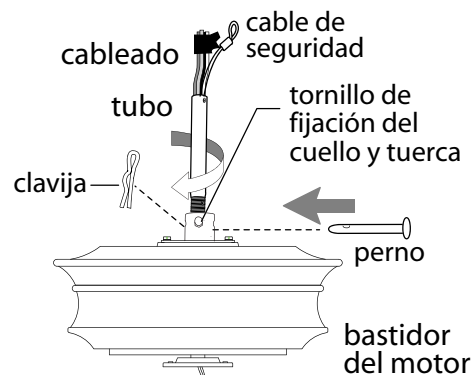


diagrama 2

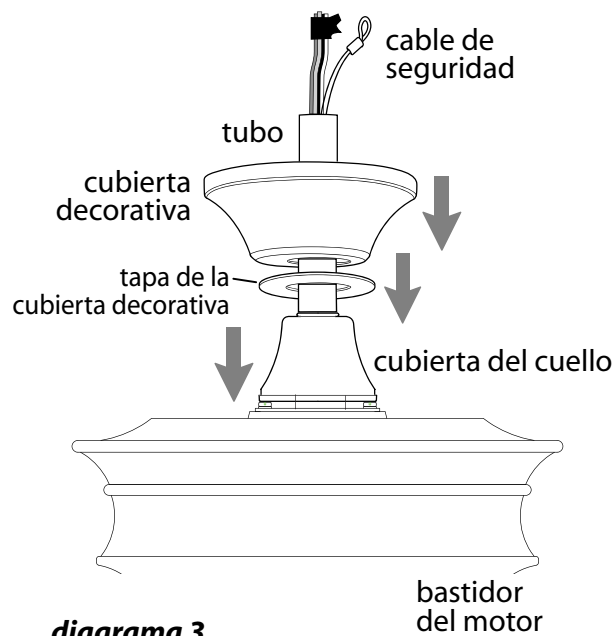


diagrama 3

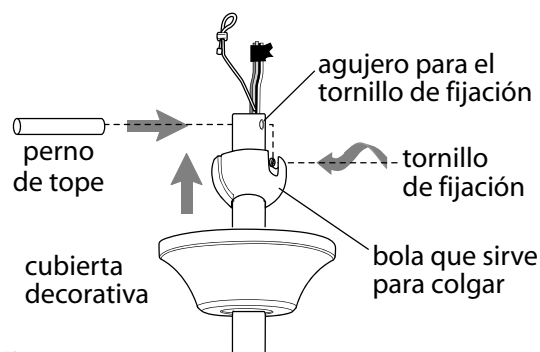


diagrama 4

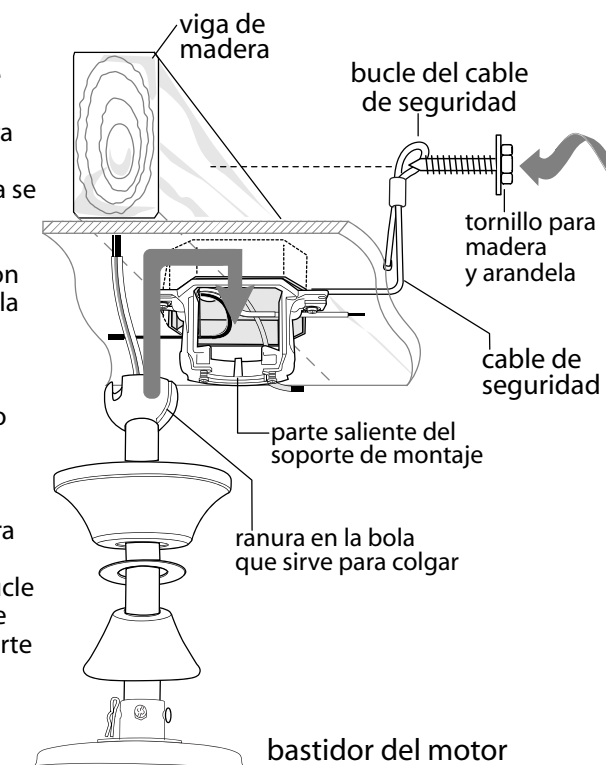
## 5. Ensamblaje del ventilador. (cont.)

Ya que esté sujetado el soporte de montaje a la caja de salida y capaz de apoyar el ventilador, usted está listo para colgar el ventilador. Agarrar el ventilador firmemente con las dos manos. Deslizar el tubo por la abertura del soporte de montaje y dejar que se detenga la bola en el soporte de montaje. Girar la bola que sirve para colgar hasta que la ranura de la bola se alinee con la parte saliente del soporte de montaje.

**ADVERTENCIA:** El no alinear la ranura en la bola que sirve para colgar con la parte saliente del soporte de montaje puede causar lesiones graves o la muerte.

**Sugerencia:** Solicitar ayuda de otra persona para mantener sujeta la escalera y para que le suba el ventilador cuando usted ya esté preparado en la escalera para colgarlo.

Encontrar un punto de acoplamiento seguro (se recomienda la viga de madera en el techo) y asegurar el cable de seguridad. Utilizar tornillo para madera para trabajos pesados, arandela y arandela de seguridad (no provistos) en el bucle del cable de seguridad. Si es necesario, ajuste el bucle en el extremo del cable de seguridad. El bucle en el extremo del cable de seguridad debe ser de tal tamaño que pase justo sobre la punta de la parte roscada del tornillo para madera. *Poner el cable a prueba jalando con un alicate la parte suelta en la punta del cable. Si el cable se desliza o se reduce el bucle del cable por donde pasa el tornillo, hay que ajustar el bucle de nuevo.* Se puede poner el cable en exceso en el área del techo.



## 6. Instalación eléctrica.

**ADVERTENCIA:** Apagar los cortacircuitos en el panel de electricidad que suplen corriente a la caja de salida y asegurarse de que el interruptor de luz esté APAGADO.

**PRECAUCIÓN:** Asegurarse de que la caja de salida esté conectada a tierra como es debido y que exista un conductor a tierra (**VERDE** o **pelado**).

Asegurarse de que toda conexión eléctrica cumpla con los Códigos y las Ordenanzas Locales o el Código Nacional Eléctrico. Si usted no está familiarizado con la instalación eléctrica o los cables de la casa/el edificio son de colores diferentes a los cuales se refieren a continuación, favor de buscar un electricista calificado.

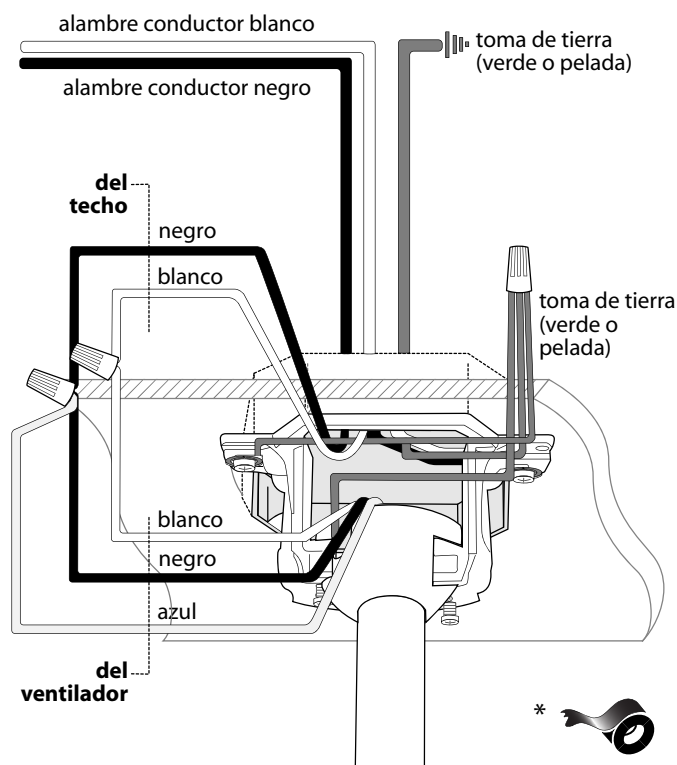
**Nota:** Si la longitud del alambrado que sale del ventilador es demasiado, se puede cortarlo al largo deseado y luego pelarlo.

Una vez que el ventilador esté bien sujeto en el soporte de montaje, se puede hacer la instalación eléctrica como sigue: Conectar los cables **NEGRO** y **AZUL** del ventilador al cable **NEGRO** del techo con un conector para cable provisto. Conectar el cable **BLANCO** del ventilador al cable **BLANCO** del techo con un conector para cable provisto. Conectar todos los conductores a **TIERRA (VERDES)** del ventilador a los **PELADOS/VERDES** del techo con un conector para cable provisto.

Si usted piensa controlar la luz del ventilador con un interruptor distinto, conectar el cable **AZUL** del ventilador al conductor **NEGRO** que corresponde al interruptor independiente.

\*Como una medida de seguridad adicional, envolver cada conector para cable por separado con cinta aisladora.

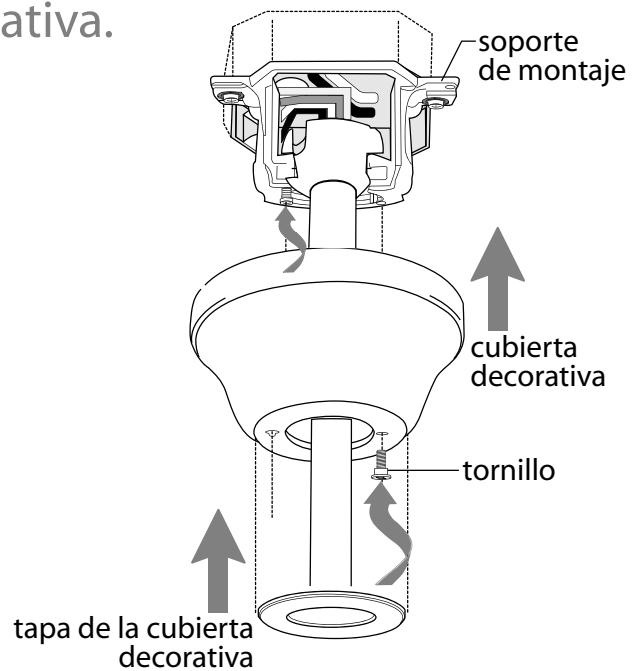
*Este ventilador es adaptable para usar con control remoto (a la venta por separado).*



## 7. Colocación de la cubierta decorativa.

Localizar los 2 tornillos en la parte inferior del soporte de montaje y quitar el tornillo que está localizado más cerca del extremo abierto del soporte de montaje. Aflojar parcialmente el otro tornillo. Subir la cubierta decorativa hasta el soporte de montaje. Poner la parte redondeada del agujero con ranura en la cubierta decorativa encima del tornillo aflojado en el soporte de montaje y empujar hacia arriba. Girar la cubierta decorativa para cerrarla. Volver a introducir el tornillo que se quitó y luego apretar bien ambos tornillos.

Subir la tapa de la cubierta decorativa hasta la cubierta decorativa, alineando la parte redondeada de los agujeros con ranura en la tapa de la cubierta decorativa con las cabezas de tornillo en el fondo de la cubierta decorativa. Girar la tapa de la cubierta decorativa a la derecha (en sentido de las agujas del reloj) hasta que ya no gire.



## 8. Colocación de las aspas.

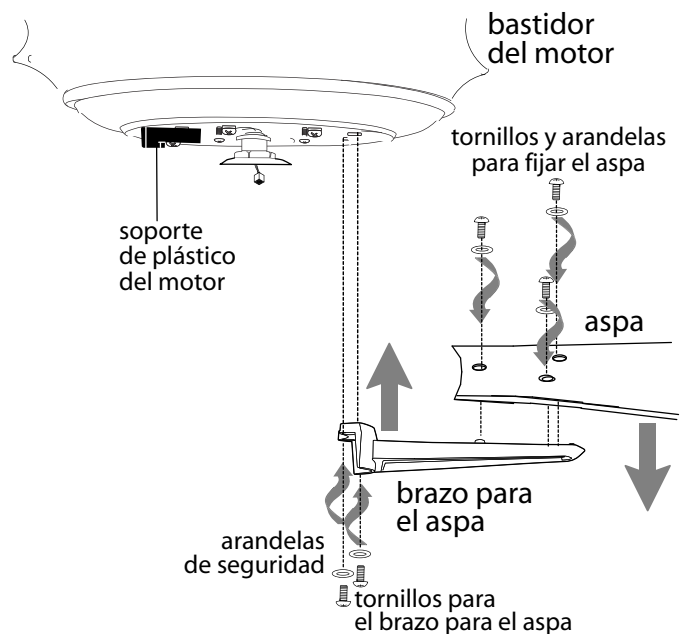
**ADVERTENCIA:** Para reducir el riesgo de lesiones corporales graves, NO utilizar herramientas eléctricas para ensamblar las aspas. Si aprieta demasiado los tornillos, las aspas podrían agrietarse y quebrarse.

**Para ahorrar tiempo:** Se pueden poner las arandelas en los tornillos que son para las aspas antes de colocar las aspas.

Localizar 15 tornillos y arandelas para fijar las aspas en uno de los paquetes de artículos de ferretería. Agarrar uno de los brazos para las aspas y juntarlo con una de las aspas para alinear los agujeros. Introducir 3 tornillos para fijar las aspas (junto con las arandelas) con los dedos primero y luego apretar los tornillos bien con un destornillador de estrella Phillips. Repetir el procedimiento con las demás aspas.

Sacar los tornillos para los brazos para las aspas y las arandelas de seguridad del lado inferior del motor del ventilador. Si se han instalado soportes de plástico con los tornillos para el brazo para el asa, desechar los soportes de plástico (*guardar los tornillos para el brazo para el asa y las arandelas de seguridad para asegurar los brazos para el asa*). Alinear los agujeros de uno de los brazos para las aspas con los agujeros para los tornillos en el motor y fijar el brazo para el asa con arandelas de seguridad y tornillos para el brazo para el asa. Antes de apretar los tornillos bien, repetir el mismo procedimiento con los demás brazos para las aspas. Apretar bien todos los tornillos.

**NOTA:** Apretar los tornillos para los brazos para el asa dos veces al año.



## 9. Instalación del juego de luz (opcional).

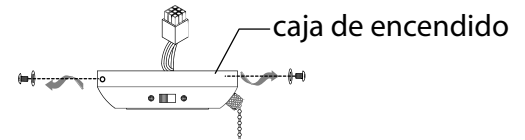
Quitar los 3 tornillos en el borde exterior de la caja de encendido (*guardarlos para uso más adelante*). [Referirse al **diagrama 1**.]

Quitar 1 tornillo de la placa del motor (en el lado inferior del motor) y aflojar los otros 2 tornillos. Alinear los agujeros con ranura en la placa de conexión con los tornillos aflojados en la placa del motor, dejando que el enchufe macho del bastidor del motor pase por el agujero de en medio de la placa de conexión. Girar la placa de conexión para cerrarla. Volver a introducir el tornillo que se quitó anteriormente y asegurar los 3 tornillos con un destornillador de estrella Phillips. [Referirse al **diagrama 2**.]

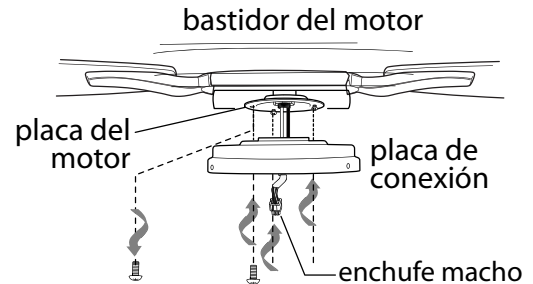
**Si desea utilizar el ventilador SIN el juego de luz**, localizar la tapa pequeña en uno de los paquetes de artículos de ferretería y colocarla fijamente en el agujero de en medio de la caja de encendido. Alinear los agujeros en la caja de encendido con los agujeros en la placa de conexión. Fijar la caja de encendido a la placa de conexión con los 3 tornillos que se quitaron anteriormente. Asegurar los 3 tornillos con un destornillador de estrella Phillips. [Referirse al **diagrama 3**.] Favor de pasar a la sección 10 en la página 10 para terminar la instalación sin el juego de luz.

**Si desea utilizar el ventilador CON el juego de luz**, quitar la tuerca hexagonal y la arandela de seguridad de la varilla roscada en la parte superior del conector para el juego de luz. Pasar los cables del juego de luz por el agujero de en medio de la caja de encendido. Atornillar la caja de encendido en la varilla roscada y asegurarla con la arandela de seguridad y la tuerca hexagonal. [Referirse al **diagrama 4**.] Favor de pasar a la página siguiente para utilizar el ventilador con el juego de luz.

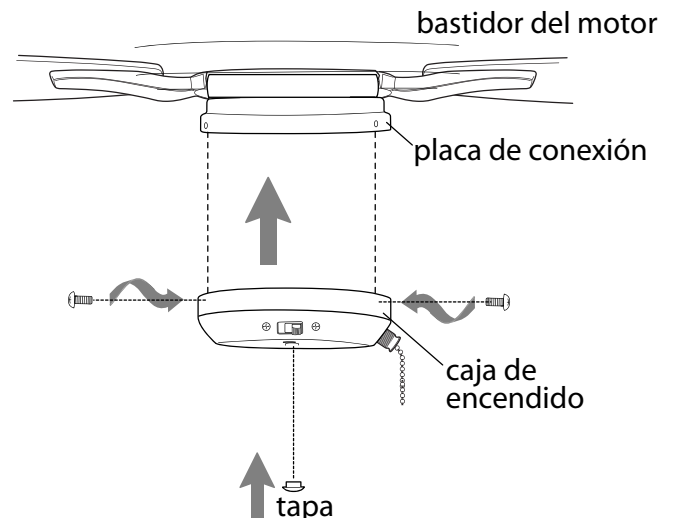
[La "Instalación del juego de luz" continúa en la página siguiente.]



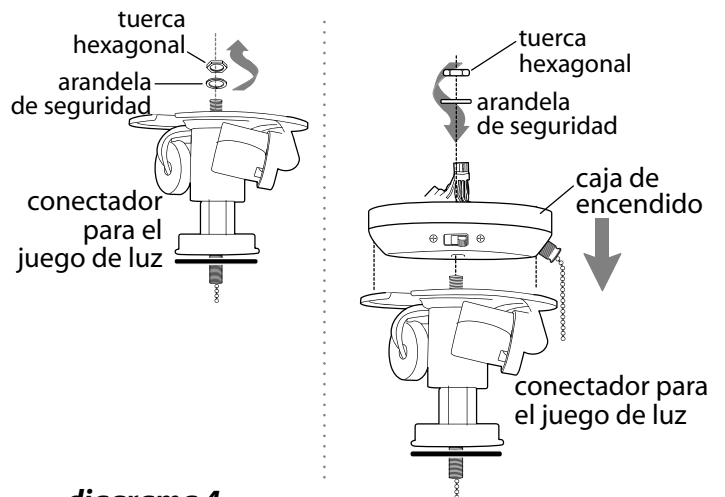
**diagrama 1**



**diagrama 2**



**diagrama 3**



**diagrama 4**

## 9. Instalación del juego de luz (opcional). (cont.)

Conectar el enchufe macho de la caja de encendido al enchufe hembra de la caja de encendido. Asegurarse de que se conecten bien los enchufes.

Cuidadosamente poner el cableado dentro de la placa de conexión y alinear los agujeros en la caja de encendido con los agujeros en la placa de conexión. Volver a introducir los tornillos que se quitaron anteriormente. Apretar bien los 3 tornillos con un destornillador Phillips.

Instalar 2 bombillas LED de base mediana de 9 vatios (incluidas).

**IMPORTANTE:** Al reemplazar las bombillas, favor de dejar que se enfríen la pantalla y las bombillas antes de tocarlas.

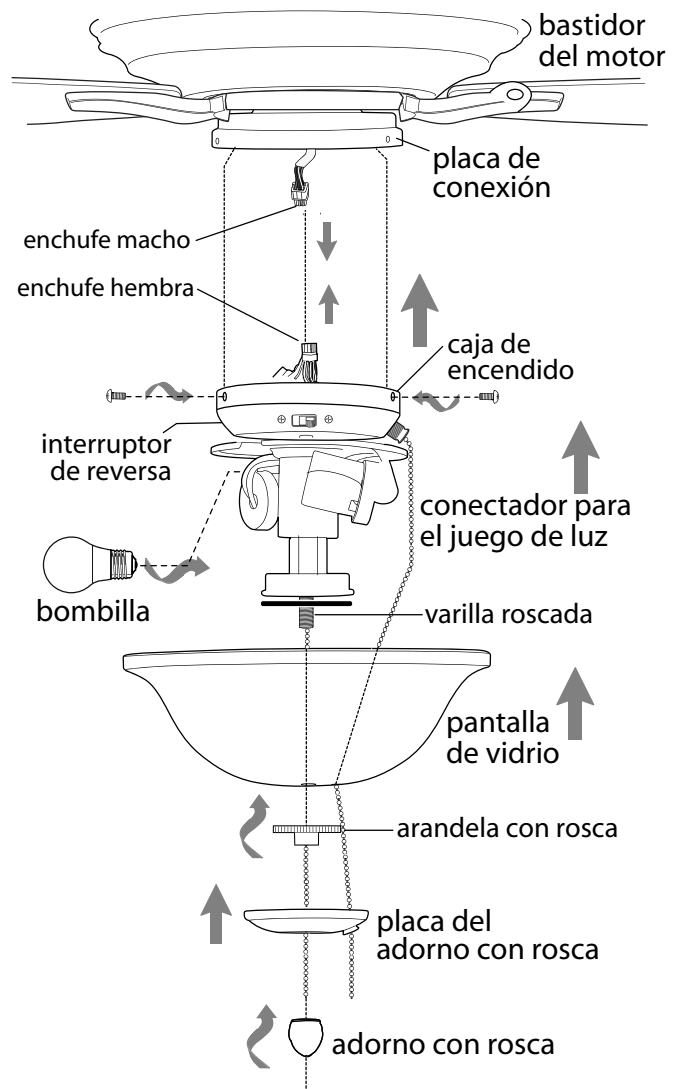
Quitar el adorno con rosca, la placa del adorno con rosca y la arandela con rosca de la varilla roscada del conector para el juego de luz.

Subir la pantalla de vidrio para pasar las cadenas de encendido por los agujeros correspondientes en la pantalla de vidrio. Alinear la varilla roscada en el conector para el juego de luz con el agujero de en medio de la pantalla de vidrio y, con cuidado, empujar hacia arriba hasta que la varilla roscada pase por el agujero. *(Asegurarse de que la cadena de encendido del ventilador no roce la bombilla cuando esté prendido el ventilador)*. Asegurar la pantalla de vidrio con la arandela con rosca.

**NO apretar la arandela con rosca demasiado ya que el vidrio se puede rajarse o romper.**

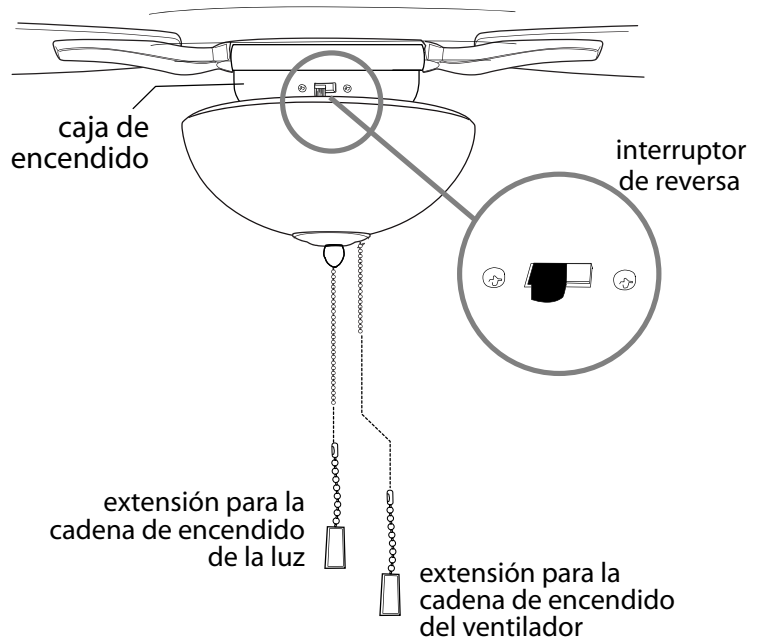
Alinear el agujero de en medio de la placa del adorno con rosca con la varilla roscada, dejando que las cadenas de encendido pasen por los agujeros correspondientes en la placa del adorno con rosca, y empujar hacia arriba. Pasar la cadena de encendido de en medio por el agujero en el adorno con rosca y volver a fijar el adorno con rosca.

**NO apretar el adorno con rosca demasiado ya que el vidrio se puede rajarse o romper.**



## 10. Verificación del funcionamiento del ventilador.

Se recomienda poner el ventilador a prueba antes de terminar la instalación. Regresar la corriente de electricidad en el cortacircuitos y encender el interruptor de la luz en la pared (si aplica). Verificar las velocidades del ventilador con la cadena de encendido. Empezar en estado de APAGADO (sin movimiento de las aspas). Con el primer tirón el ventilador estará en marcha ALTA. El segundo tirón pondrá el ventilador en marcha MEDIA. El tercer tirón bajará el ventilador a marcha BAJA. Con el cuarto tirón se APAGARÁ el ventilador de nuevo. Poner a prueba la luz jalando la cadena de encendido de en medio. **(diagrama 1)** Si el ventilador y/o la luz no funciona(n), favor de referirse a la sección "Localización de fallas" para resolver cualquier asunto antes de comunicarse con el Servicio al cliente.



**diagrama 1**

Apagar el ventilador completamente *antes* de mover el interruptor de reversa (ubicado en la caja de encendido).

Regularlo para que circule bien el aire dependiendo de las estaciones del año:

- posición IZQUIERDA en verano

**(diagrama 2)**

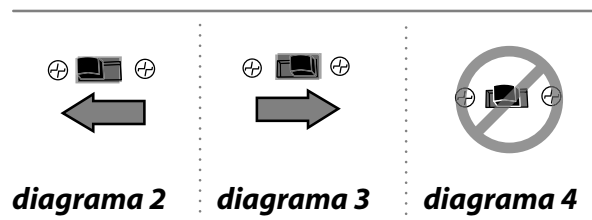
- posición DERECHA en invierno

**(diagrama 3)**

Un ventilador de techo le permitirá subir el termostato en verano y bajarlo en invierno sin notar una diferencia en su comodidad.

**Importante:** Hay que mover el interruptor de reversa o *completamente* hacia la IZQUIERDA o *completamente* hacia la DERECHA para que funcione el ventilador. Si el interruptor de reversa está puesto en la posición *de en medio* **(diagrama 4)**, no funcionará el ventilador.

Fijar la(s) extensión(es) para la(s) cadena(s) de encendido provista(s) a la(s) cadena(s) de encendido o usar una(s) hecha(s) a medida (a la venta por separado).



**diagrama 2**

**diagrama 3**

**diagrama 4**

## Localización de fallas.

**ADVERTENCIA:** El no desconectar el suministro de fuerza eléctrica antes de hacer localización de fallas para cualquier problema de instalación eléctrica puede causar lesiones graves.

**Problema:** El ventilador no funciona.

**Soluciones:**

1. Inspeccionar el interruptor de pared del ventilador.
2. Verificar que el interruptor de reversa del ventilador está en una sola posición, no en medio de las dos.
3. Verificar la instalación eléctrica del ventilador.
4. Asegurarse de que se conectaron bien los enchufes macho y hembra en la caja de encendido.

**Problema:** El juego de luz (opcional) no se ilumina.

**Soluciones:**

1. Inspeccionar el interruptor de pared del ventilador.
2. Verificar que se instalaron correctamente las bombillas.
3. Verificar que se hizo correctamente la conexión de cables en la cubierta decorativa.
4. Asegurarse de que se conectaron bien los enchufes macho y hembra en la caja de encendido.

**Problema:** El ventilador funciona pero la luz no (si se aplica).

**Soluciones:**

1. Verificar que se instalaron correctamente las bombillas.
2. Verificar que se hizo correctamente la conexión de cables en la cubierta decorativa.
3. Reemplazar bombillas defectuosas con el mismo tipo de bombilla.

**Problema:** El ventilador se tambalea.

**Soluciones:**

1. Usar el juego para balancear las aspas incluido en uno de los paquetes de artículos de ferretería. *Si no se incluye un juego para balancear las aspas, llamar al Servicio al cliente, al 1-800-486-4892, para pedir uno.*
2. Averiguar que se apretó (apretaron) bien el (los) tornillo(s) de fijación en el cuello del bastidor del motor.
3. Averiguar que se apretó bien el tornillo de fijación en la bola que sirve para colgar.

## Piezas de repuesto.

Para piezas o información, referirse al "Inventario de piezas" en la página 3.  
Servicio al cliente de Craftmade:

**1-800-486-4892**

[www.craftmade.com](http://www.craftmade.com)

## Garantía.

GARANTIA LIMITADA DE POR VIDA DE CRAFTMADE™: CRAFTMADE garantiza este ventilador al comprador original de grupo familiar para uso interior con las siguientes condiciones:

**GARANTIA DE 1 AÑO:** CRAFTMADE reemplazará o reparará cualquier ventilador que tenga funcionamiento deficiente debido a defectos en los materiales o trabajo manual. Comunicarse con el Servicio al cliente de CRAFTMADE al **1-800-486-4892** para acordar el reenvío del ventilador. Devolver el ventilador, con los gastos de envío prepagados, a Craftmade. Nosotros repararemos o reemplazaremos el ventilador y pagaremos los gastos de envío de regreso.

**GARANTIA DE 5 AÑOS:** CRAFTMADE reemplazará o reparará sin costo al comprador original, cualquier motor de ventilador que no funcione de manera satisfactoria a causa de uso normal.

**DEVOLVER EL MOTOR SOLAMENTE,** los gastos de envío prepagados, a Craftmade Industries. Nosotros repararemos el motor al comprador o le enviaremos uno de reemplazo y Craftmade pagará los gastos de envío de regreso.

**GARANTIA LIMITADA DE 6 AÑOS hasta DE POR VIDA:** CRAFTMADE reparará el ventilador, sin costo al comprador original por el coste laboral, si el motor del ventilador no funciona satisfactoriamente a causa del uso normal. Las piezas que se utilizan en hacer la reparación serán facturadas al comprador a los precios prevalecientes en el momento de la reparación.

El comprador original será responsable de todos los gastos incurridos en sacar, reinstalar y enviar el producto para reparación.

Esta garantía no se aplica cuando el ventilador tenga daños por abuso mecánico, físico, eléctrico o por agua resultando en su mal funcionamiento. Se exenta específicamente el deterioro en el acabado u otras partes debido al tiempo o exposición al aire marino bajo esta garantía.

Ni Craftmade ni el fabricante se harán responsables por lo que pasa por una instalación inadecuada o el uso impropio de este producto. La compañía no se hará responsable en ningún caso de ningún daño emergente por incumplimiento de esta o cualquier otra garantía expresada o implicada en absoluto. Esta limitación de daños emergentes no se aplicará en estados donde es prohibido.

# CRAFTMADE™