

# Hand Sinks with Skirt, Knee Valve, or Towel Dispenser

## ASSEMBLY INSTRUCTIONS

For Hand Sinks with Skirt, see page 2.

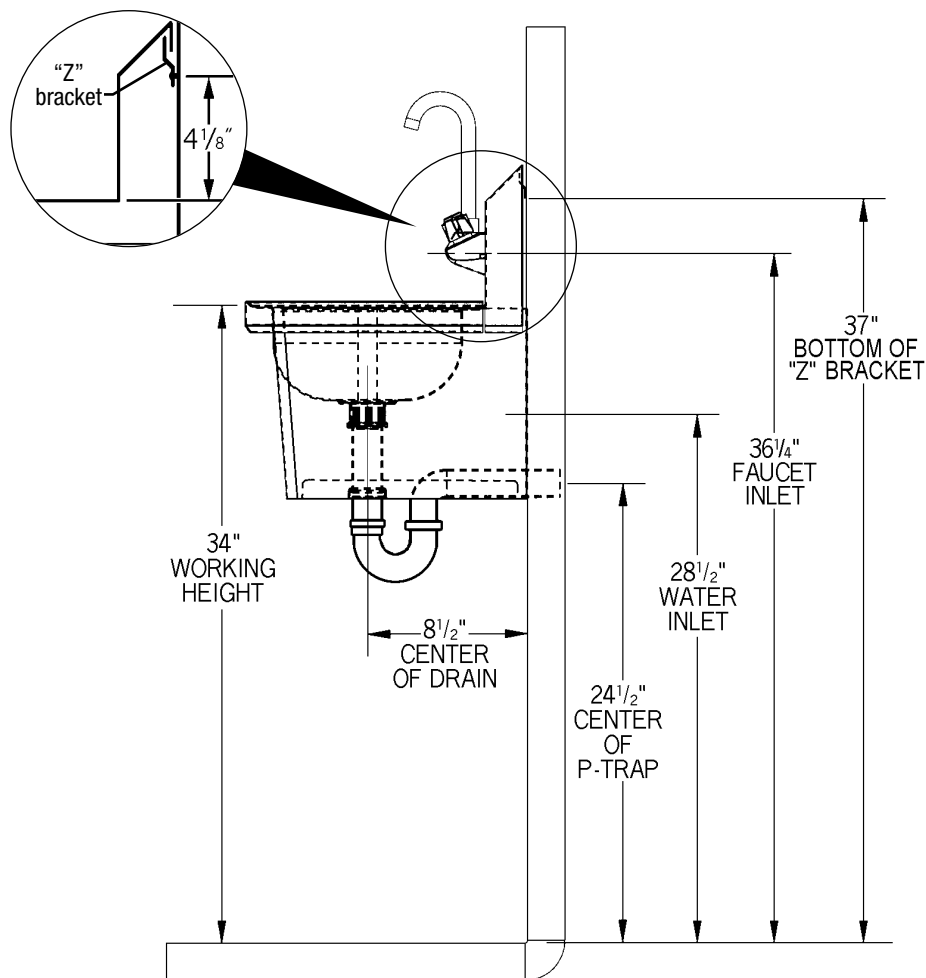
For Hand Sinks with Knee Valve, see page 3.

For Hand Sinks with Towel Dispenser, see back page.

### CAUTION

INSPECT CONTENTS IMMEDIATELY AND FILE CLAIM WITH DELIVERING CARRIER FOR ANY DAMAGE. **SAVE YOUR BOX AND ALL PACKING MATERIALS.** YOU ARE RESPONSIBLE FOR DAMAGE TO YOUR UNIT IF RETURNED IMPROPERLY PACKED.

### Dimensions for plumbing rough-ins:



(continued on page 2)

# Hand Sinks with Skirt

## ASSEMBLY INSTRUCTIONS

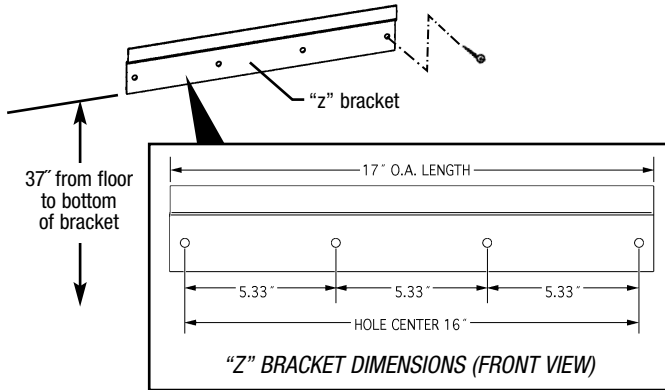
### Please note before assembly:

- Attach faucet to hand sink.
- Remove the locking nuts from underside of hand sink and set aside.
- Please follow the plumbing rough-ins (front page). All dimensions are nominal.

### Step 1 - Attach "z" bracket.

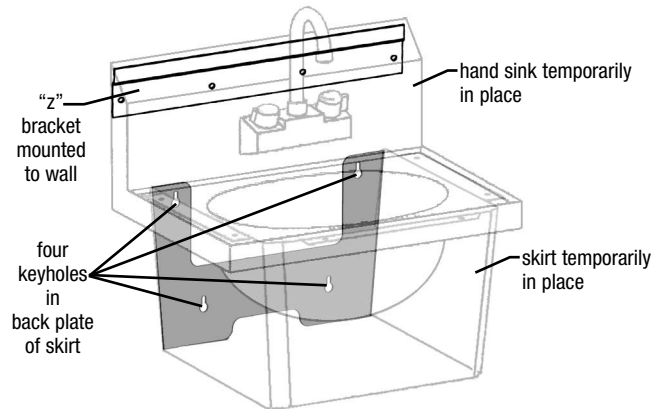
Use a level for straightness.

(Note: Mounting hardware not included.)



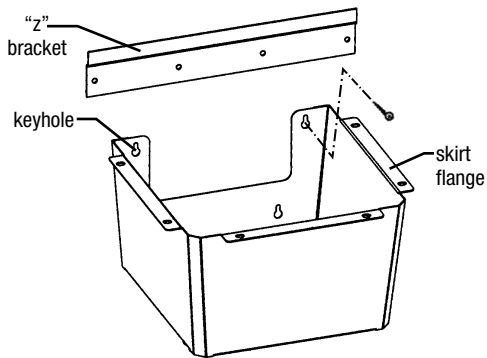
### Step 2 - Mark holes for skirt.

- Temporarily hang hand sink off "z" bracket.
- Hold skirt to underside of hand sink as if attaching (as shown in Step 4).
- Mark location of keyholes and set aside hand sink.

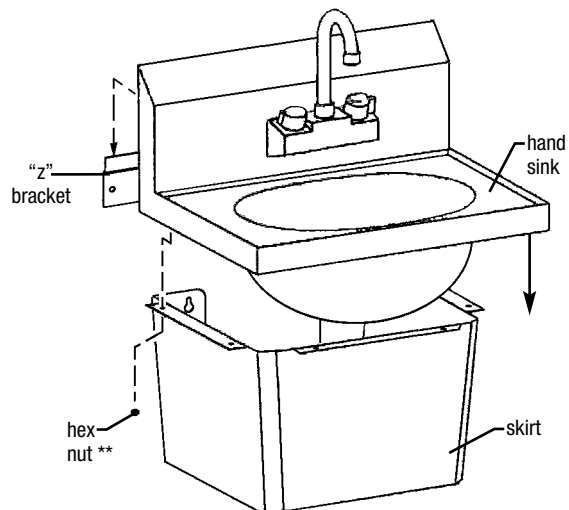


### Step 3 - Mount skirt to wall.

(Note: Mounting hardware not included.)



### Step 4 - Mount hand sink to skirt.



\*\* Two hex nuts per side, two in front. Hex nuts provided.  
(If hex nuts are not present, see note below.)

(End)

**NOTE:** Skirt available as accessory to most hand sinks, or as replacement component to Hand Sinks with Skirt. When ordered separately, skirt comes with two-sided adhesive tape instead of hex nuts.

# Hand Sinks with Knee Valve

## ASSEMBLY INSTRUCTIONS

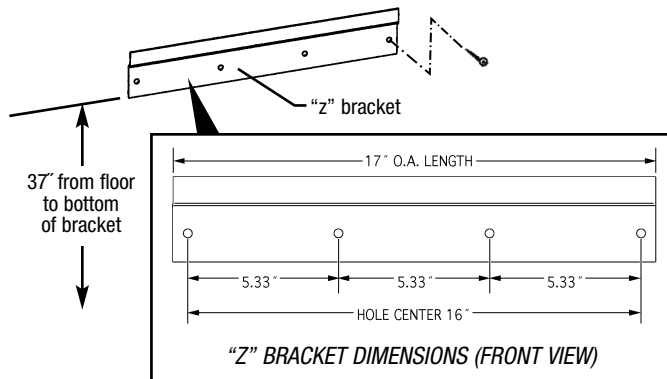
### Please note before assembly:

- Attach spout and water lines to hand sink.
- Attach pedals to knee valve bracket.
- Remove the locking nuts from underside of hand sink and set aside.
- Please follow the plumbing rough-ins (front page). All dimensions are nominal.

### Step 1 - Attach "z" bracket.

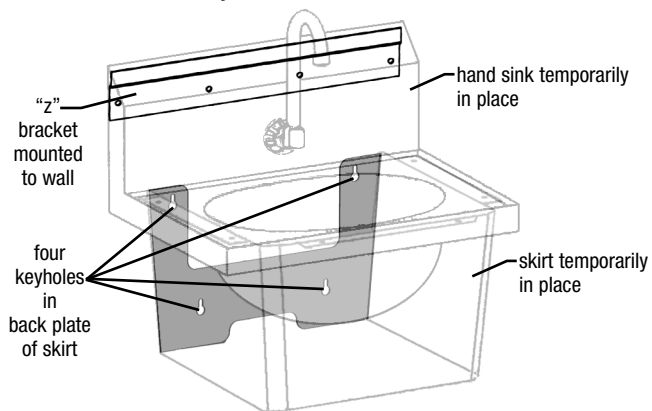
Use a level for straightness.

(Note: Mounting hardware not included.)



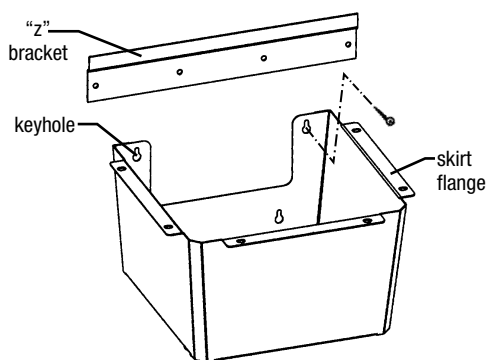
### Step 2 - Mark holes for skirt.

- Temporarily hang hand sink off "z" bracket.
- Hold skirt to underside of hand sink as if attaching (as shown in Step 4).
- Mark location of keyholes and set aside hand sink.

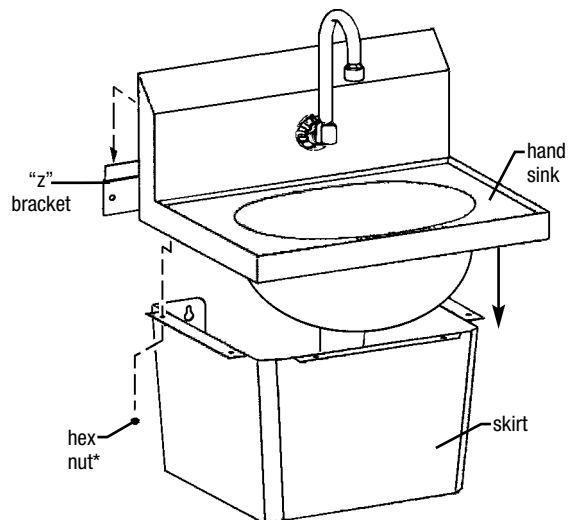


### Step 3 - Mount skirt to wall.

(Note: Mounting hardware not included.)

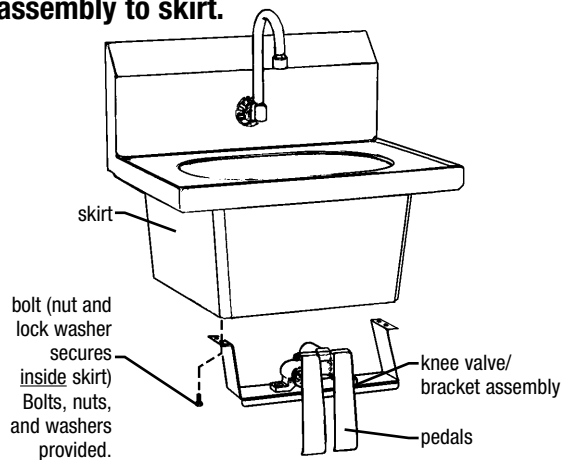


### Step 4 - Mount hand sink to skirt.



\* Two hex nuts per side, two in front. Hex nuts provided.

### Step 5 - Mount knee valve/bracket assembly to skirt.



### Step 6 - Attach lines to pedals.



# Hand Sinks with Towel Dispenser

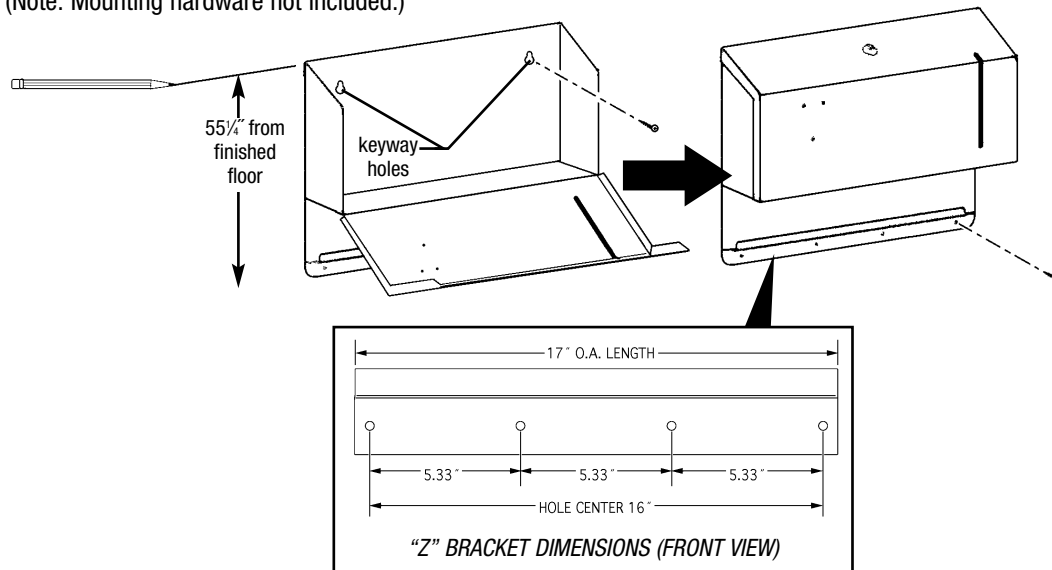
## ASSEMBLY INSTRUCTIONS

### Please note before assembly:

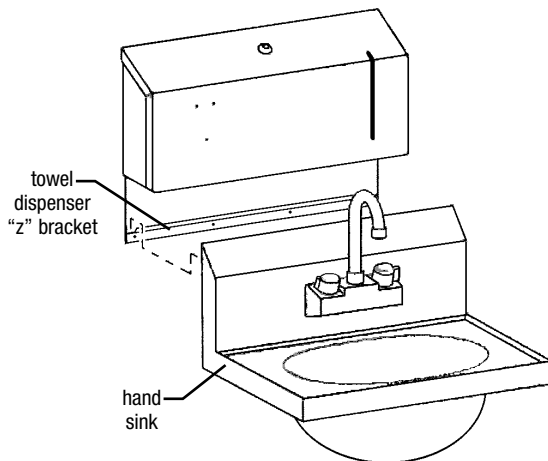
- Attach faucet to hand sink.
- Please follow the plumbing rough-ins (front page). All dimensions are nominal.

### Step 1 - Mount towel dispenser to wall.

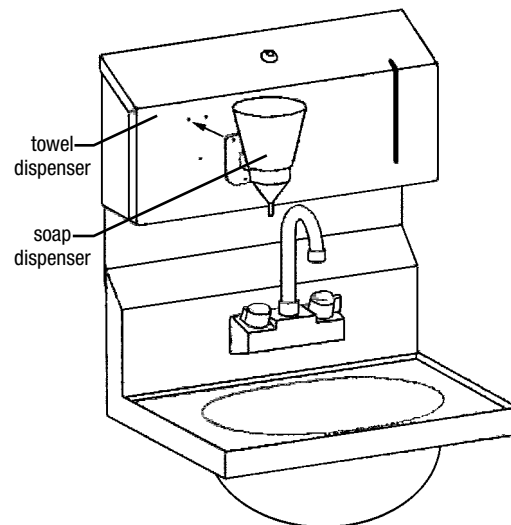
(Note: Mounting hardware not included.)



### Step 2 - Hang hand sink off of towel dispenser "z" bracket.



### Step 3 - Attach soap dispenser to towel dispenser.



(End)