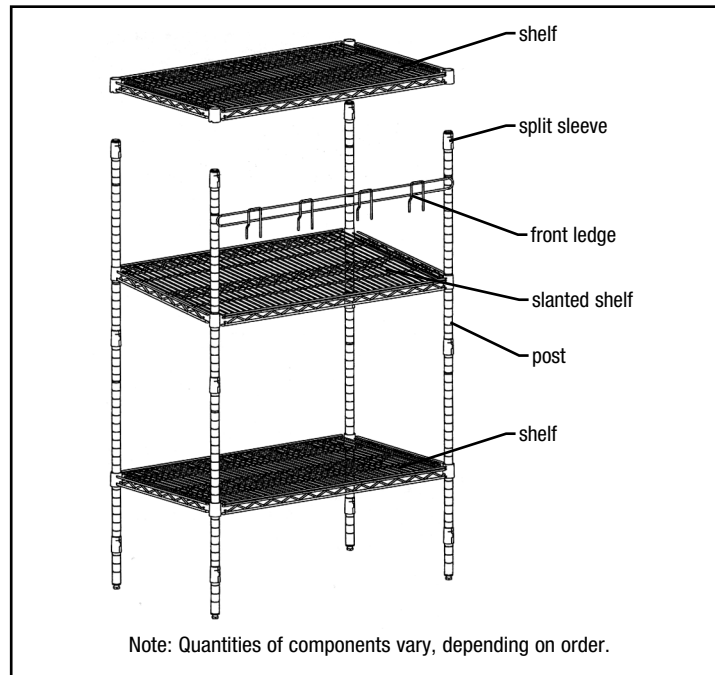


# Modular Bag-n-Box

## ASSEMBLY INSTRUCTIONS

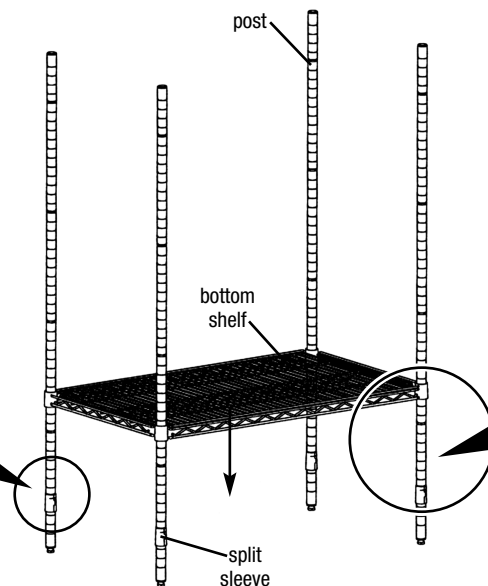
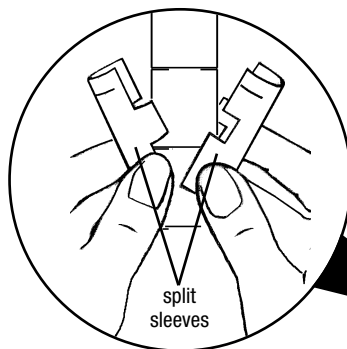
### CAUTION

INSPECT CONTENTS IMMEDIATELY AND FILE CLAIM WITH DELIVERING CARRIER FOR ANY DAMAGE. **SAVE YOUR BOX AND ALL PACKING MATERIALS.** YOU ARE RESPONSIBLE FOR DAMAGE TO YOUR UNIT IF RETURNED IMPROPERLY PACKED.

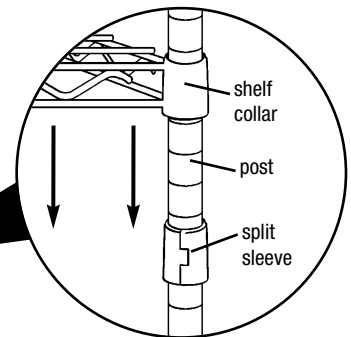


### Step 1 - Attach split sleeves (for bottom shelf) to posts.

Note: the wider part of the taper goes toward the bottom.



### Step 2 - Assemble bottom shelf.



(continued on back page)

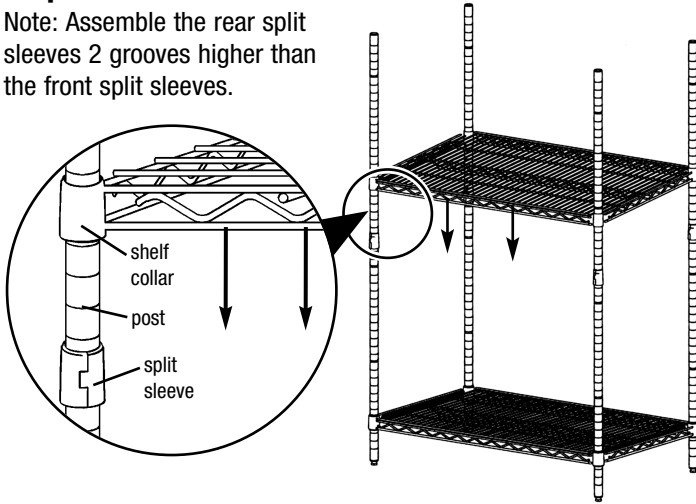
EG9977 Revised 09/23

# Modular Bag-n-Box

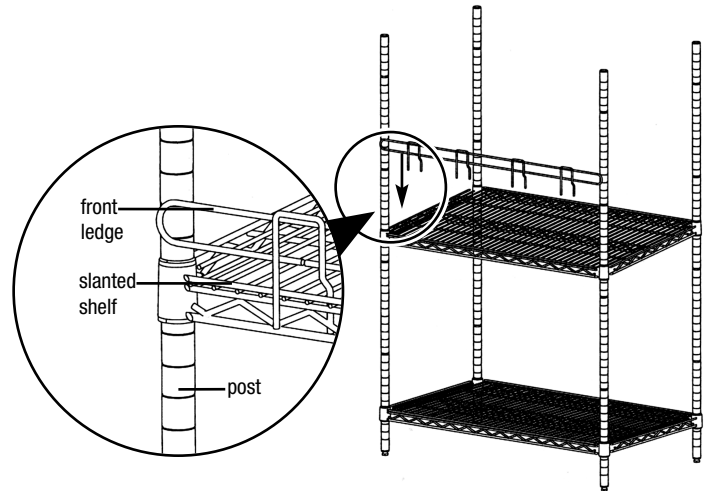
## ASSEMBLY INSTRUCTIONS

### Step 3 - Assemble slanted shelf.

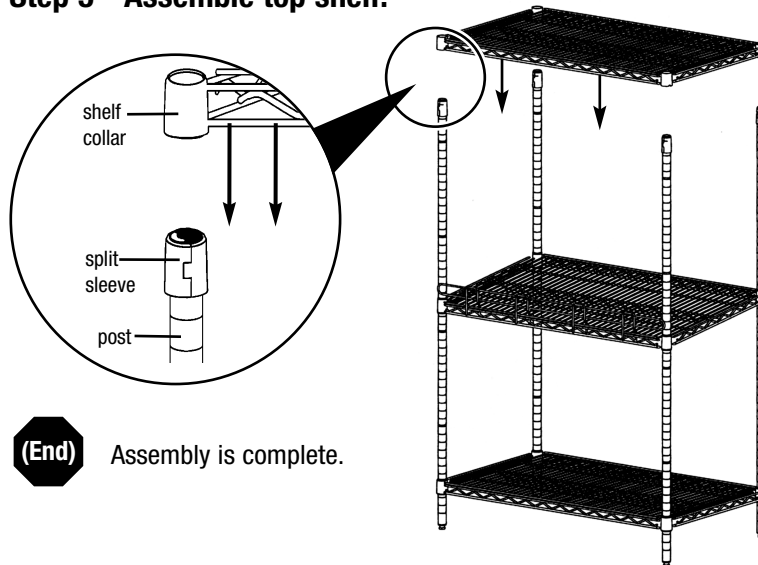
Note: Assemble the rear split sleeves 2 grooves higher than the front split sleeves.



### Step 4 - Add front ledge to the slanted shelf.



### Step 5 - Assemble top shelf.



**(End)** Assembly is complete.