

# SMARTCODE 910

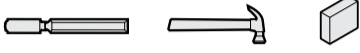
TOUCHPAD ELECTRONIC DEADBOLT

## Installation Guide

**Required Tools**



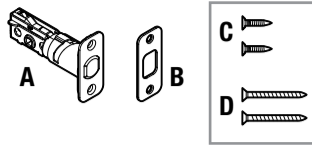
**Additional Tools (depending on application)**



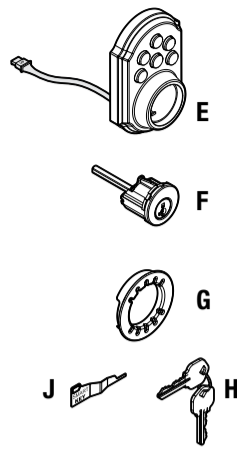
Use and programming instructions are located on the reverse side of this document.

### Parts in the Box

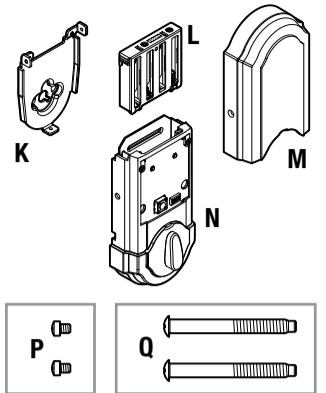
**Latch and Strike**



**Exterior Assembly**



**Interior Assembly**



If needed, please contact Kwikset to order a drive-in latch for your lock.

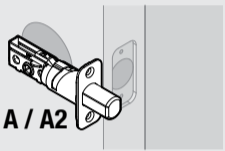
Kwikset  
1-866-863-6584  
www.kwikset.com

**Select models only:**

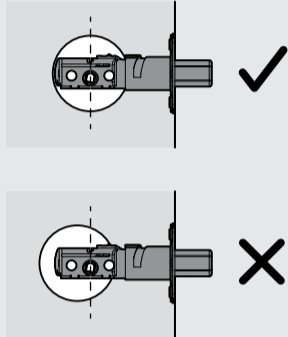


### 3 Adjust the backset of latch (if needed)

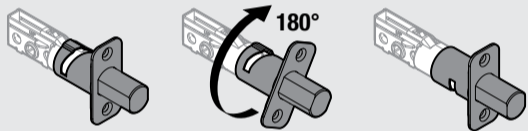
**A** Hold the latch in front of the door hole, with the latch face flush against the door edge.



**B** If the latch holes are centered in the door hole, no adjustment is required. Proceed to step 4. If the latch holes are NOT centered, adjust latch. See "Latch Adjustment."

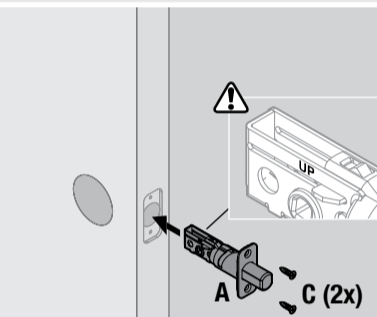


**Latch Adjustment (only if needed)**

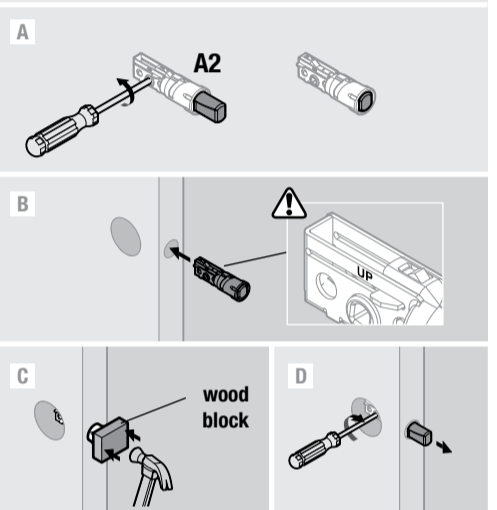


### 4 Install latch

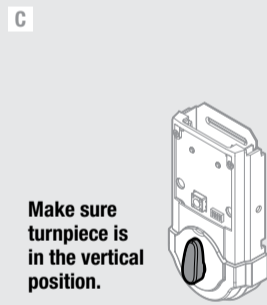
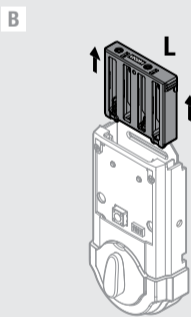
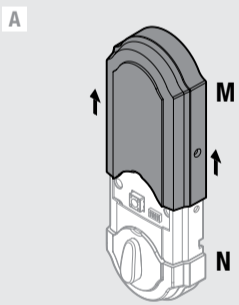
**For doors with chiseled edge**



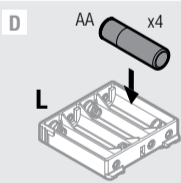
**For doors without chiseled edge**



### 7 Disassemble interior assembly and load battery pack



Make sure turnpiece is in the vertical position.



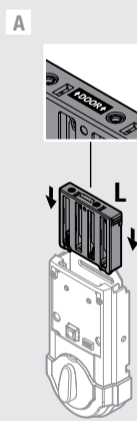
Ensure correct polarity. For best results, use new non-rechargeable Alkaline batteries only.

Do not install battery pack yet!

### 8 Z-Wave locks only: Perform the Inclusion process

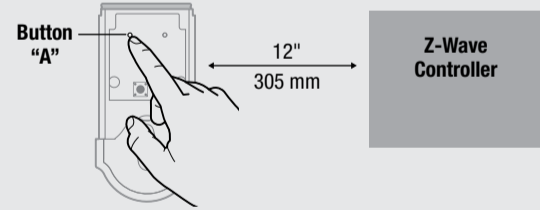
"Inclusion" refers to the process in which the lock is added to a Z-Wave or ZigBee controller.

ZigBee locks: Perform the Inclusion process after installation is complete. See "Z-Wave and ZigBee Systems" on the reverse side of this document.

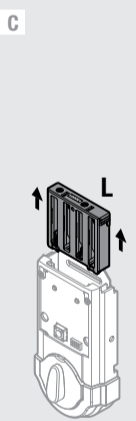


**B** Hold the interior assembly a maximum of 12" (305 mm) from your Z-Wave controller, and initiate the Inclusion process at the controller. Refer to your Z-Wave control system instructions for more information.

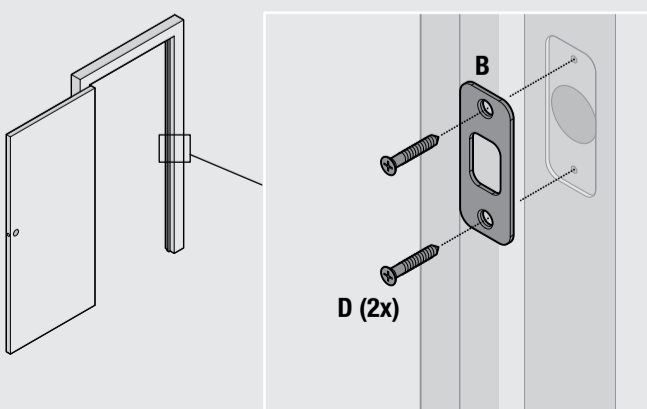
Press button "A" on the lock one time to include it in your system. The controller and lock must remain stationary for a total of 60 seconds during the Inclusion process.



If Inclusion is unsuccessful, initiate the Exclusion process at the controller, then press button "A" on the lock one time. Once the lock is fully excluded from the system, repeat the Inclusion process.

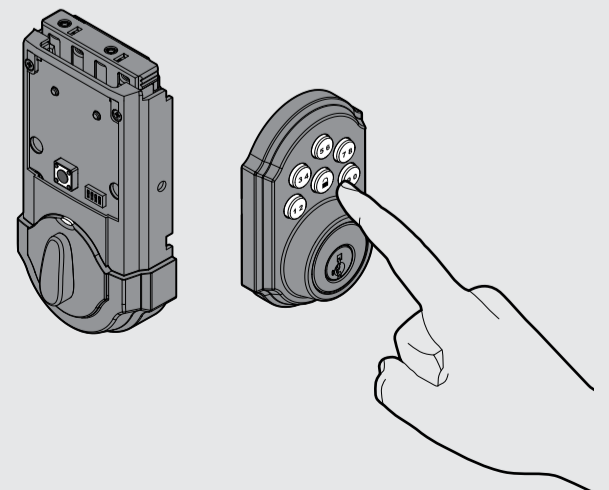


### 11 Install strike

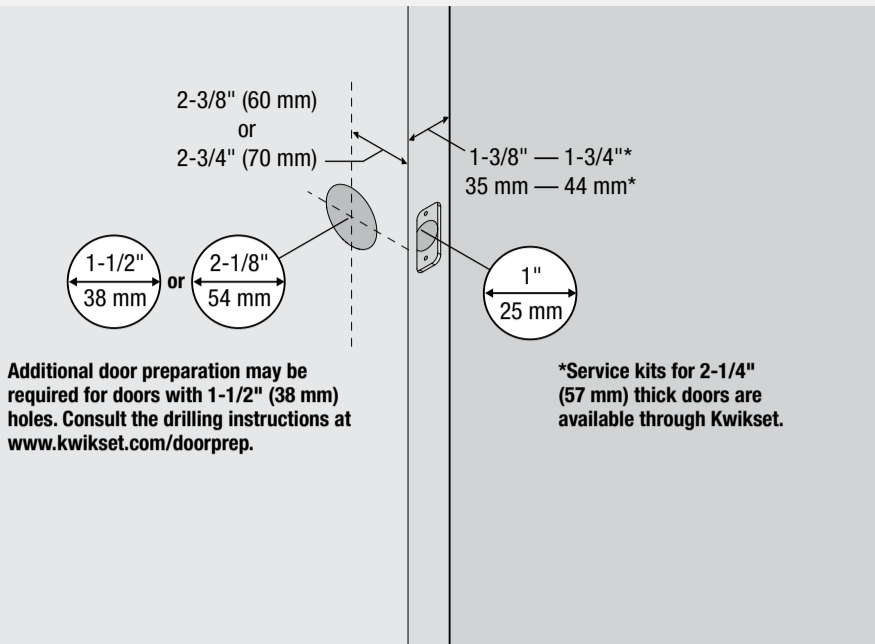


### 12 Program the lock

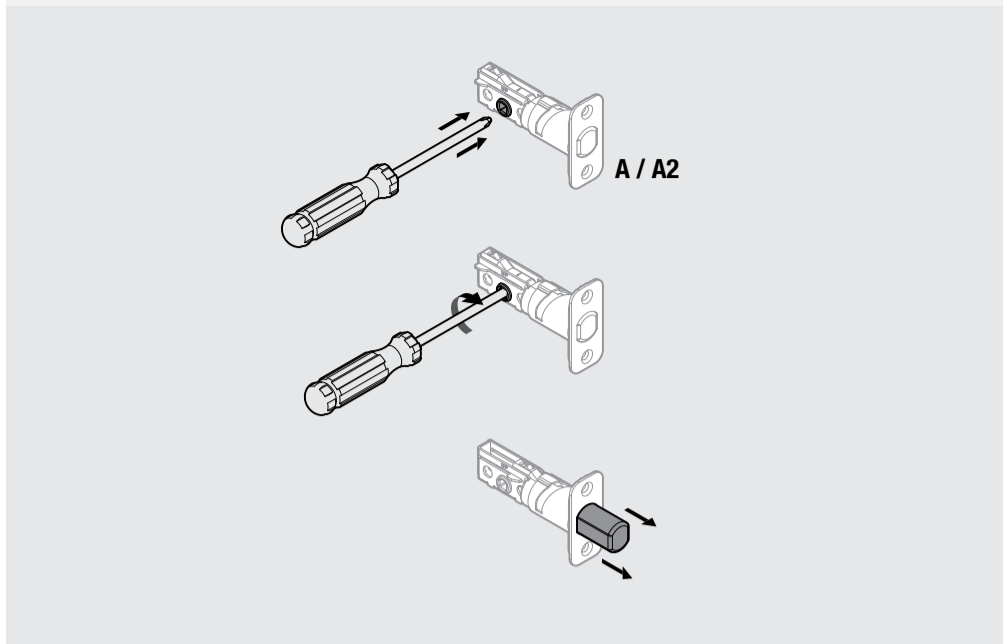
Programming instructions are located on the reverse side of this document.



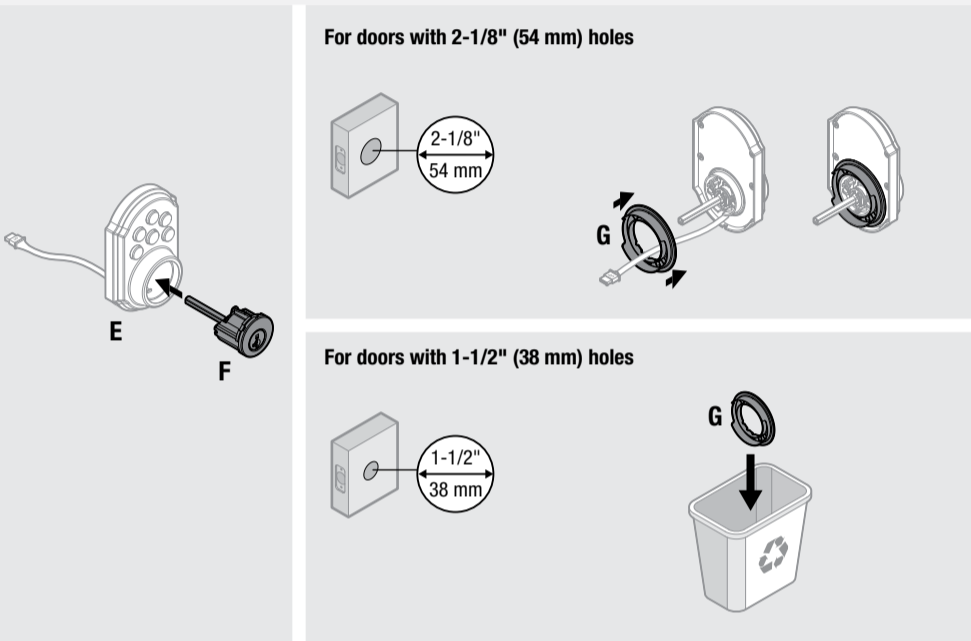
## 1 Check dimensions



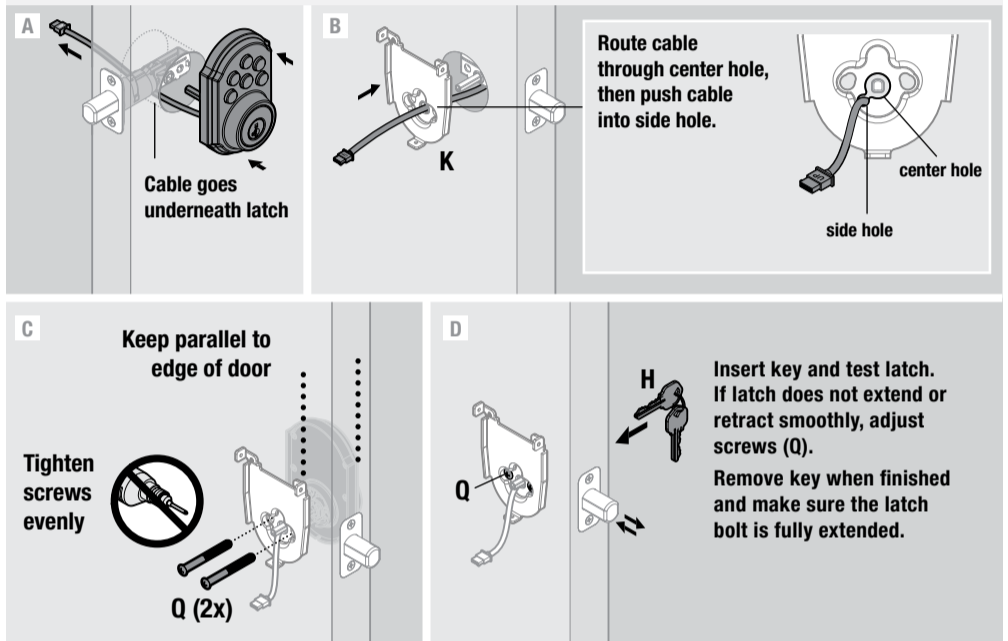
## 2 Extend latch bolt



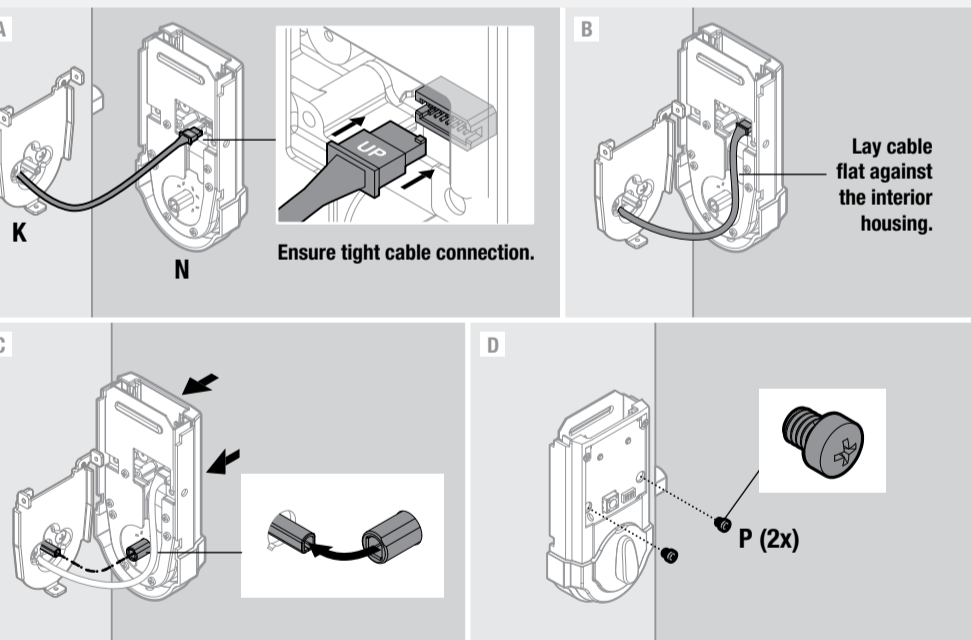
## 5 Prepare exterior keypad



## 6 Install keypad and mounting plate

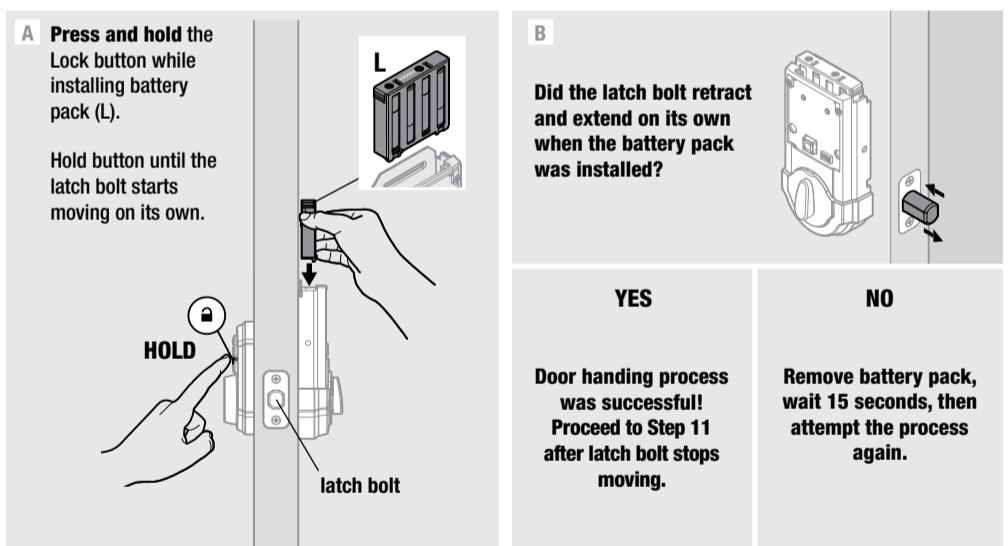


## 9 Install interior assembly

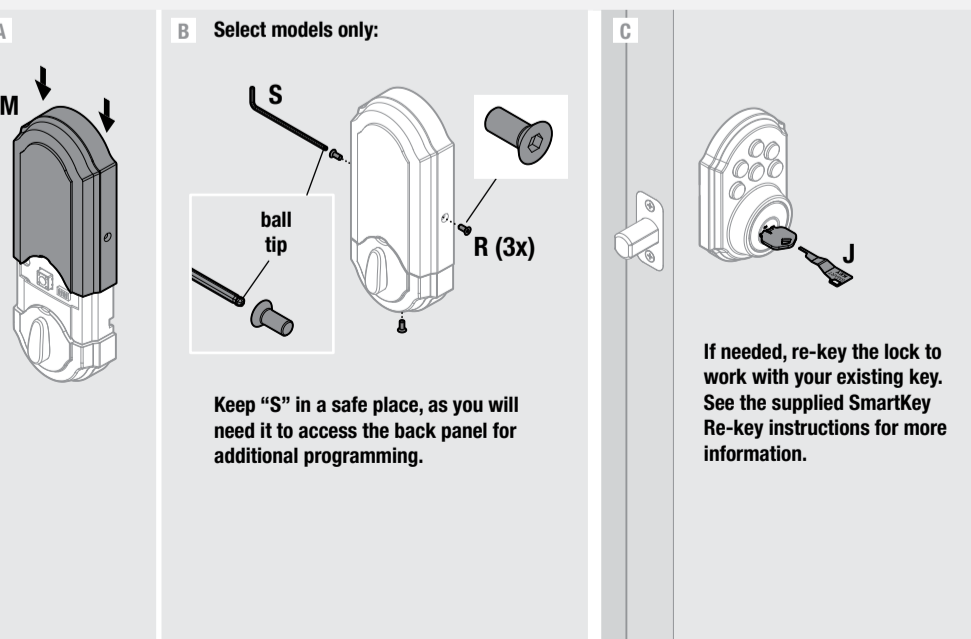


## 10 Perform door handing process

This step will teach your lock the orientation of your door and is crucial to lock operation.

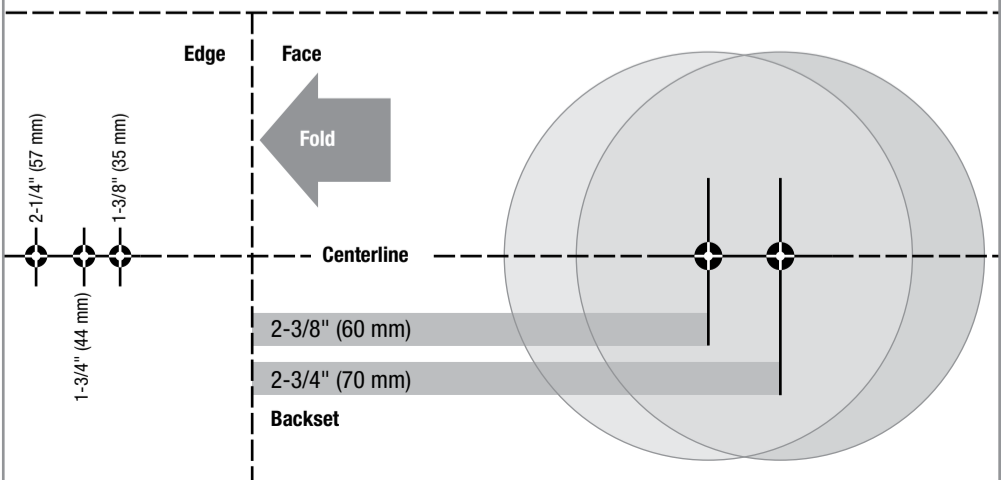


## 13 Install the battery cover and re-key the lock



## Template

If your door requires drilling, cut out the template and place it on the exterior side of the door. Complete door drilling instructions are available on the SmartCode deadbolt page of [www.kwikset.com](http://www.kwikset.com).



# SMARTCODE 910

TOUCHPAD ELECTRONIC DEADBOLT

## User Guide

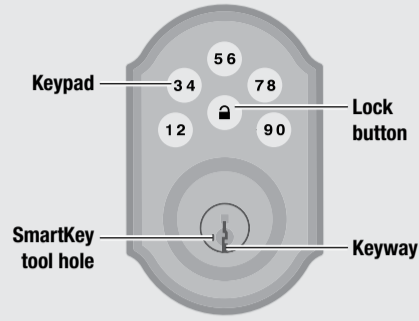
**Kwikset**  
1-866-863-6584  
www.kwikset.com

Troubleshooting and FAQs are available online at [www.kwikset.com](http://www.kwikset.com).

Installation instructions are located on the reverse side of this document.

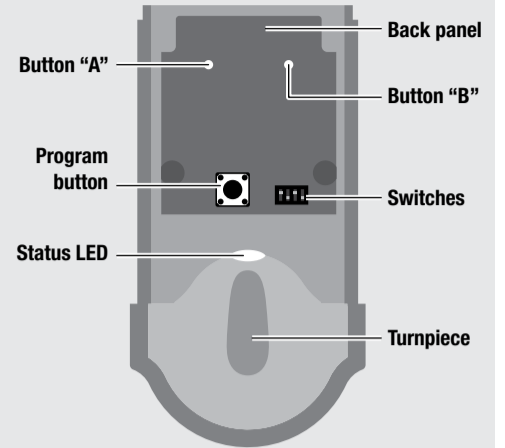
## A SmartCode at a Glance

### Exterior



Note: Although the arched 910 model is illustrated, instructions are the same for all 910 models.

### Interior (cover removed)



## D Programming Codes

### a Programming Information

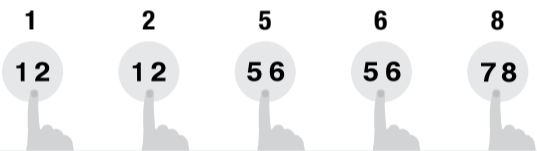
It is recommended that you add and delete all user codes through your Z-Wave or ZigBee control system. If your system does not allow this, the sections below will provide instructions for how to add and delete codes at the lock.

#### User Codes Requirements

Each user code must be a unique code between 4 and 8 digits, depending on your control system. A total of 30 user codes may be programmed.

#### How the Keypad Works

Each button represents two numbers (i.e. 1 and 2 for the first button). You only need to push the button once to get either 1 or 2. For example: If your code is 1-2-5-6-8,



#### Programming Behavior

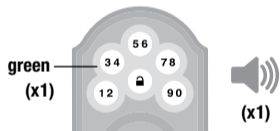
##### Successful Programming

The keypad will flash green once, and you will hear one beep\*.

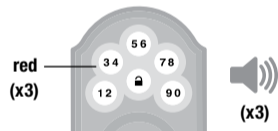
##### Unsuccessful Programming

The keypad will flash red three times, and you will hear three beeps\*.

##### Successful Programming



##### Unsuccessful Programming



#### Timeout

If no button is pressed for five seconds, the system will time out and you will need to restart the procedure.

#### Timeout Behavior

|                        | Switch #3 ON           | Switch #3 OFF          |
|------------------------|------------------------|------------------------|
| Mastercode enabled     | red (x6) [Keypad icon] | red (x6) [Keypad icon] |
| Mastercode NOT enabled | [Keypad icon]          | red (x3) [Keypad icon] |

\*If switch #3 is ON

### b Enabling and Adding a Mastercode (Optional for Enhanced Security)

User codes can be programmed with or without a mastercode. Using a mastercode is an optional, added-security measure. It is not enabled by default. A mastercode is used to add and delete user codes, but it cannot unlock the door (unless the same code is programmed as a user code, though this is not recommended). The mastercode must be 4-8 digits.

**1 Press and HOLD Program button until keypad flashes green (about 5 seconds).**

**2 Enter new mastercode.**

**3 Press Lock button once.**

**4 Re-enter mastercode.**

**5 Press Lock button once.**

**IF UNSUCCESSFUL**

Make sure the mastercode has not been programmed already. Attempt this procedure again, making sure to enter the same new mastercode in steps 2 and 4.

**TEST**

Make sure switch #3 is on, and then press the Program button once. If you hear three beeps and see the keypad flash green three times, the mastercode is enabled.

Note: The lock will time out after five seconds.

If no button is pressed for five seconds, the system will time out, and you will need to restart the procedure.

## E Regulatory Compliance

This product complies with standards established by the following regulatory bodies:

- Federal Communications Commission (FCC)
- Industry Canada

#### FCC

This device complies with Part 15 of the FCC Rules. Operation is subject to the following two conditions:  
(1) this device may not cause harmful interference, and  
(2) this device must accept any interference received, including interference that may cause undesired operation.

This equipment has been tested and found to comply with the limits for a Class B digital device, pursuant to Part 15 of the FCC Rules. These limits are designed to provide reasonable protection against harmful interference in a residential installation. This equipment generates, uses, and can radiate radio frequency energy and, if not installed and used in accordance with the instructions, may cause harmful interference to radio communications.

There is no guarantee that interference occur in a particular installation. If this

equipment does cause harmful interference to radio or television reception, which can be determined by turning the equipment off and on, the user is encouraged to try to correct the interference by one or more of the following measures:

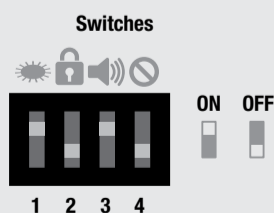
- Reorient or relocate the receiving antenna.
- Increase the separation between the equipment and receiver.
- Connect the equipment into an outlet on a circuit different from that to which the receiver is connected.
- Consult the dealer or an experienced radio/TV technician for help.

**IMPORTANT!** Changes or modifications not expressly approved by the manufacturer could void the user's authority to operate the equipment.

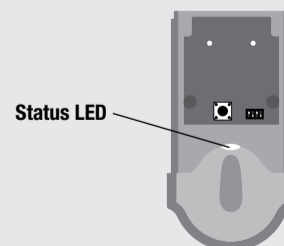
#### Industry Canada

This device complies with Industry Canada licence-exempt RSS standard(s). Operation is subject to the following two conditions: (1) this device may not cause interference, and (2) this device must accept any interference, including interference that may cause undesired operation of the device.

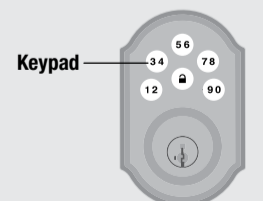
## F Switches, Status LED Colors and Keypad Warnings



| Switch | Function  |
|--------|---|
| 1      | Door lock status LED blinks every 6 seconds   |
| 2      | Lock automatically re-locks door 30 seconds after unlocking. Disabled if no codes are programmed. |
| 3      | Audio   |
| 4      | Not used  |



| Color          | Lock Status  |
|----------------|--|
| Blinking green | Unlocked   |
| Blinking amber | Locked   |
| Blinking Red   | Low battery  |
| Solid Red      | Door Handling Process did not work properly. See online Troubleshooting guide. |



| Warning  | Reason                               | Solution                                   |
|--|--------------------------------------|--|
| Keypad flashes red with fast beeping sound* for 3 - 4 seconds. | Low battery                          | Replace batteries                          |
|  | Door jammed while attempting to lock | Relock door. If needed, reposition strike. |
|  | No user code programmed              | Program at least one user code             |

\*If switch #3 is ON

## B Normal Operation

### Unlocking the Door

Enter user code.

Tip: You can press the Lock button before entering your user code to light up the keypad at night.



### Locking the Door

Press Lock button once.

If no user codes are programmed, the Lock button will be disabled.



### Incorrect Codes

| Codes Entered                                    | Lock Behavior                                    | Next Step                                     |
|--|--|---|
| One incorrect code entered.                      | Keypad flashes red three times with three beeps* | Re-enter code.                                |
| Three incorrect codes entered within one minute. | Keypad flashes red 15 times with 15 beeps*       | Re-enter code after 60 second keypad lockout. |

\*If switch #3 is ON

## C Z-Wave & ZigBee Systems

### Lock Inclusion

"Inclusion" refers to the process in which the lock is added to a Z-Wave or ZigBee controller.

Z-Wave: Perform the Inclusion process during lock installation. See step 8 in the Installation Guide.

ZigBee: Initiate the Inclusion process at your ZigBee controller. Refer to your control system instructions for more information.

Unsuccessful ZigBee Inclusion: Press button "B" nine times. Repeat the inclusion process.

### Lock Exclusion

"Exclusion" refers to the process in which the lock is removed from a Z-Wave or ZigBee controller. Initiate the Exclusion process at your Z-Wave or ZigBee controller. Refer to your control system instructions for more information.

Use the chart to determine which button to press during Inclusion and Exclusion.

| System | Inclusion                    | Exclusion                    |
|--------|------------------------------|------------------------------|
| Z-Wave | Press button "A" once.       | Press button "A" once.       |
| ZigBee | Press button "A" four times. | Press button "B" nine times. |

### System Notes

#### Z-Wave

In order to fully utilize this product, you must have a Z-Wave controller compatible with door locks. Z-Wave is a "Wireless mesh network," and results may vary based on building construction and communication path, with 35 feet+ being typical installed distance from network controller. It may be necessary to install additional Z-Wave beaming capable devices that can serve as repeaters to enhance the communication path between the lock and controller for a more robust Z-Wave network.

#### ZigBee

ZigBee is a "Wireless mesh network," and results may vary based on building construction and communication path, with 35+ feet being typical installed distance in a standard home environment and 250 feet+ when the lock has a clear line of sight with the network controller. It may be necessary to install additional ZigBee devices to enhance the communication path between the lock and controller for a more robust ZigBee network.

## C Adding User Codes

### Mastercode **NOT** enabled:

1 Press the Program button the number of times that corresponds to the user code position being programmed.



Example: If programming the third code, press the button three times.

2 Enter new USER code.



3 Press Lock button once.



### IF UNSUCCESSFUL

Make sure the user code is not a duplicate and that it is between 4 and 8 digits during your next attempt.

### TEST CODE

While the door is open, test the user code to make sure it unlocks the door.

### Mastercode **enabled**:

1 Press Program button once.

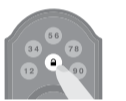
The keypad will flash green and you will hear three beeps.



2 Enter **MASTERCODE** (the code that was enabled in section b)



3 Press Lock button once.

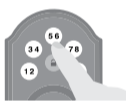


4 Press the Program button the number of times that corresponds to the user code position being programmed.

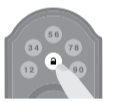
Example: If programming the third code, press the button three times.



5 Enter new USER code.



6 Press Lock button once.



### IF UNSUCCESSFUL

Make sure the user code is not a duplicate and that it is between 4 and 8 digits during your next attempt.

Make sure to enter a valid mastercode in step 2.

### TEST CODE

While the door is open, test the user code to make sure it unlocks the door.

## d Deleting User Codes

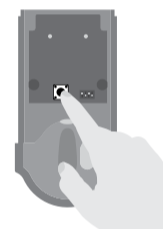
In order to delete a user code, you must override the code by adding a different user code in the same position. For example, if you want to delete the third code, add a different user code in position three.

Test the old user code to make sure it is inactive.

If you cannot remember the user code position, you may wish to perform a factory reset to delete all codes associated with the lock. See section "H."

## e Disabling and Deleting the Mastercode

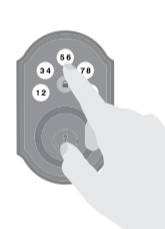
1 Press and HOLD Program button until keypad flashes green (about 5 seconds).



2 Press Lock button once.



3 Enter mastercode.



4 Press Lock button once.



5 Re-enter mastercode.



6 Press Lock button once.

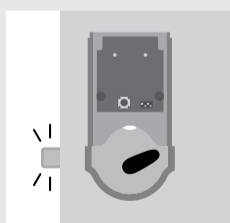


**IF UNSUCCESSFUL**  
Make sure the mastercode has been enabled before trying to disable it. Attempt this procedure again, making sure to enter the same mastercode in steps 3 and 5.

**TEST**  
Make sure switch #3 is on, and then press the Program button once. If you don't immediately hear three beeps or see the keypad flash green three times, the mastercode is disabled.  
Note: The lock will time out after five seconds

If no button is pressed for five seconds, the system will time out, and you will need to restart the procedure.

## G Troubleshooting



**Problem:** The latch bolt is not moving in the correct direction and the turnpiece will not rotate.

**Reason:** The door handing process was not executed during installation, and the lock does not know the orientation of the door.

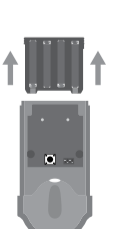
**Solution:** Perform the door handing process, step 10 in the installation guide.

For more troubleshooting, download the online Troubleshooting Guide, available at [www.kwikset.com](http://www.kwikset.com).

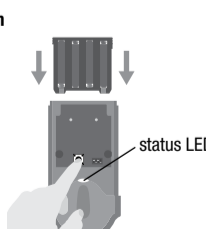
## H Factory Reset

A factory reset will delete all codes associated with the lock.

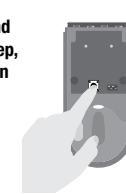
1 Remove battery pack.



2 Press and HOLD the Program button while reinserting the battery pack. Keep holding the button for 30 seconds until the lock beeps and the status LED flashes red.



3 Press the Program button once more. When the LED flashes green and you hear one beep, the lock has been reset.



4 Perform the door handing process again. See step 10 in the Installation Guide, on the reverse side of this document.

5 Perform the inclusion process again to add the lock back into your network and controller.

## I Important Safeguards

1. Read all instructions in their entirety.
2. Familiarize yourself with all warning and caution statements.
3. Remind all family members of safety precautions.
4. Restrict access to your lock's back panel and routinely check your settings to ensure they have not been altered without your knowledge.
5. Protect your user codes and mastercode.
6. Dispose of used batteries according to local laws and regulations.

**CAUTION:** Prevent unauthorized entry. Since anyone with access to the back panel can change the user codes, you must restrict access to the back panel and routinely check the user codes to ensure they have not been altered without your knowledge. The use of a mastercode can help protect your system's settings.

**WARNING:** This Manufacturer advises that no lock can provide complete security by itself. This lock may be defeated by forcible or technical means, or evaded by entry elsewhere on the property. No lock can substitute for caution, awareness of your environment, and common sense. Builder's hardware is available in multiple performance grades to suit the application. In order to enhance security and reduce risk, you should consult a qualified locksmith or other security professional.