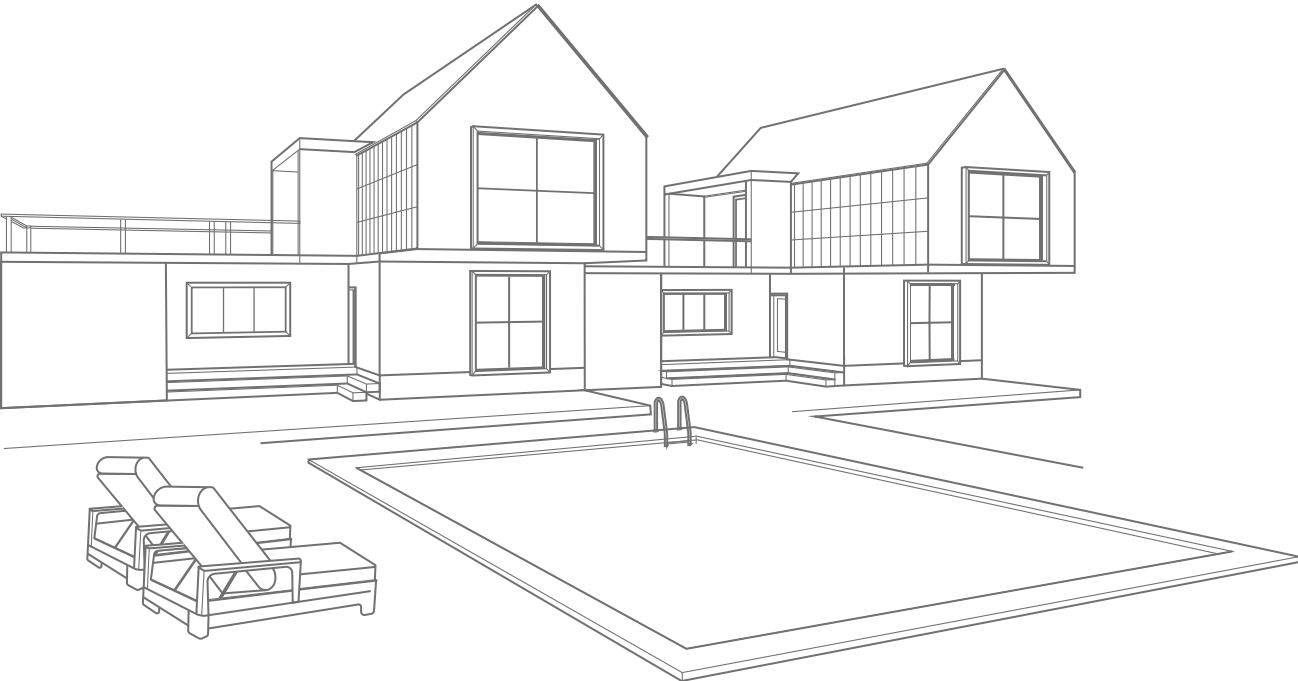


Corner Cabinet

Product ID. 7PFS4



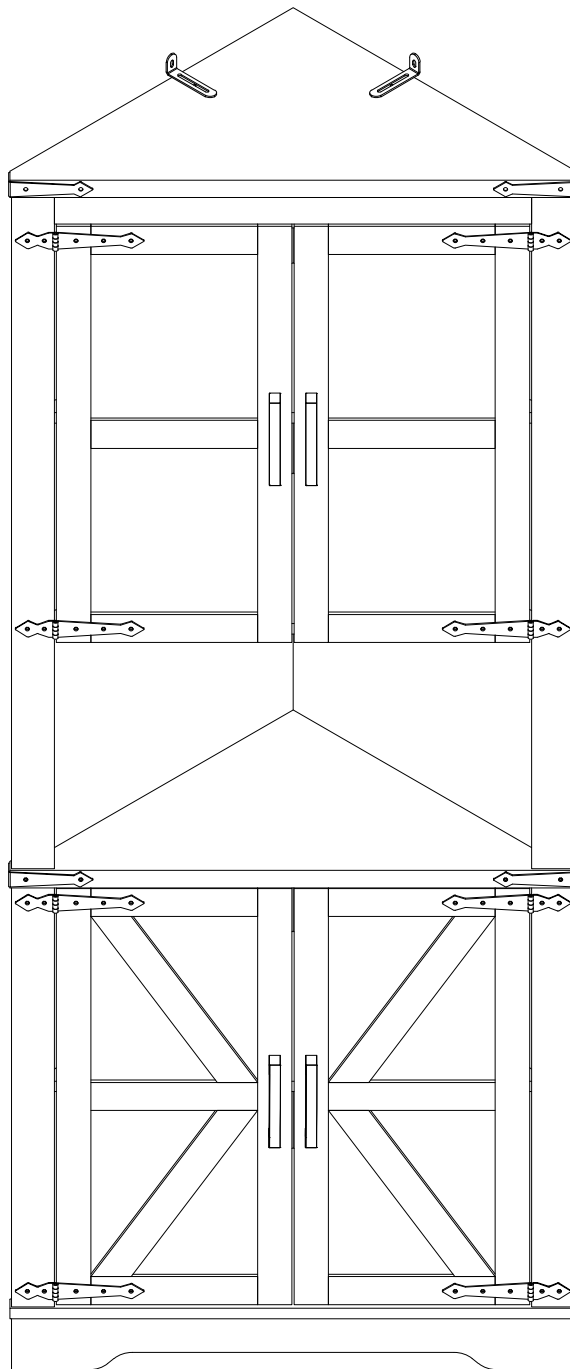
Scan for Support



Distributed by
GARVEE.com

support@garvee.com

Assembly Instructions



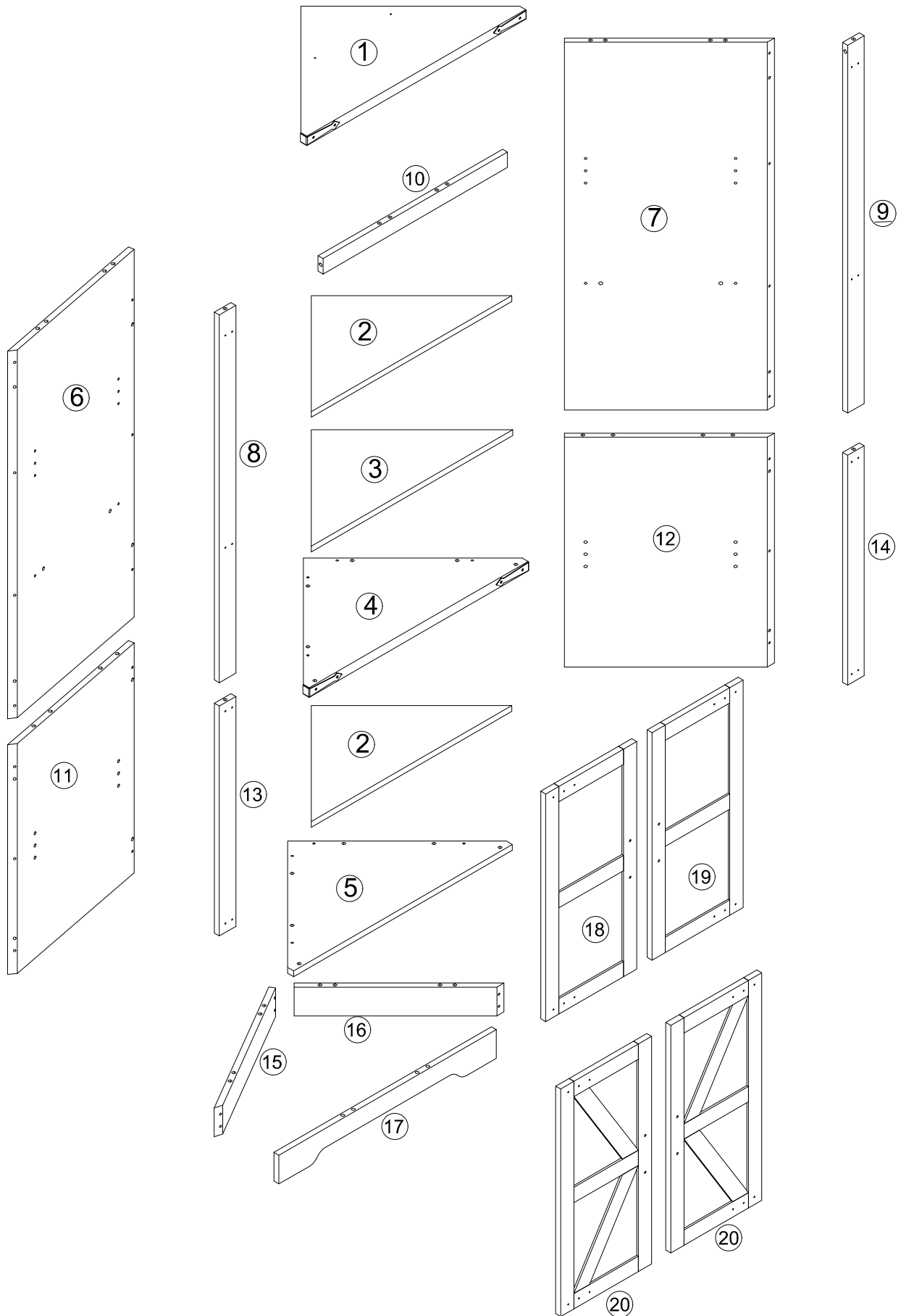
WARNING

Serious or fatal crushing injuries can occur from furniture tip-over. ALWAYS secure this furniture to the wall using tip-over restraints.

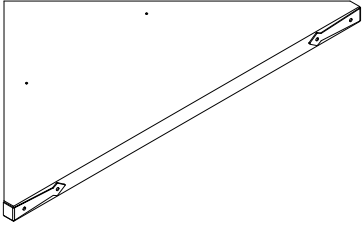
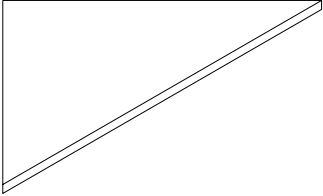
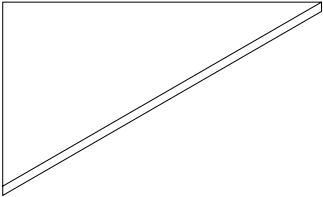
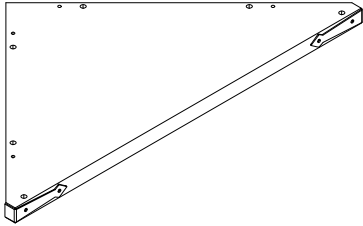
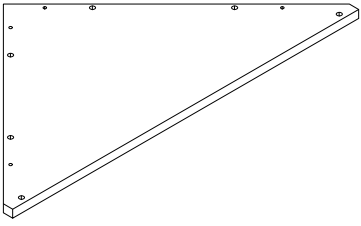

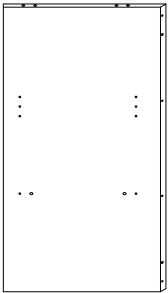


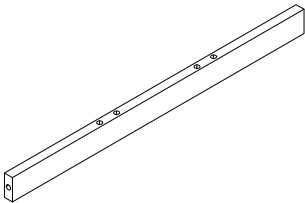
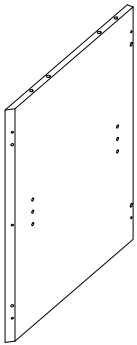
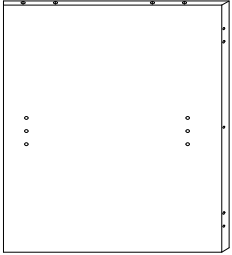


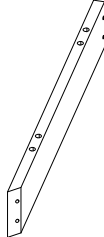
To further reduce the risk of serious injury and death from tip-overs:

- Place heaviest items in the lower drawer.
- Do not set TVs or other heavy objects on top of this product.
- Never let children climb or hang on drawers, doors, or shelves.


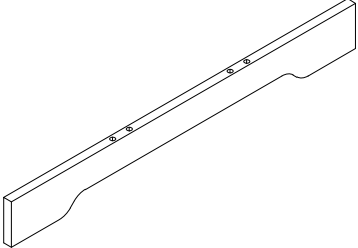
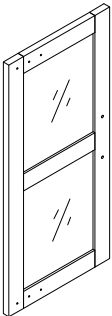
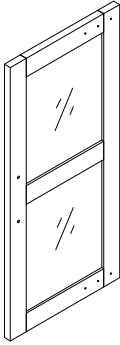
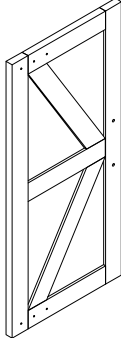
Parts List(EN) / Teile Liste(DE)






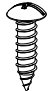
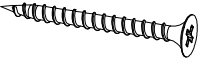
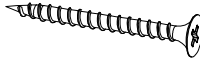

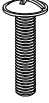
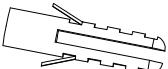



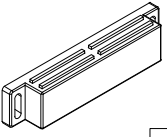
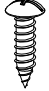
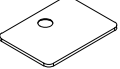


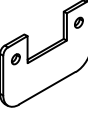
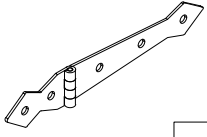
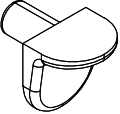


Parts List(EN) / Teile Liste(DE)

<p>1 1 PC</p> 	<p>2 2 PCS</p> 	<p>3 1 PC</p> 
<p>4 1 PC</p> 	<p>5 1 PC</p> 	<p>6 1 PC</p> 
<p>7 1 PC</p> 	<p>8 1 PC</p> 	<p>9 1 PC</p> 
<p>10 1 PC</p> 	<p>11 1 PC</p> 	<p>12 1 PC</p> 
<p>13 1 PC</p> 	<p>14 1 PC</p> 	<p>15 1 PC</p> 

Parts List(EN) / Teile Liste(DE)

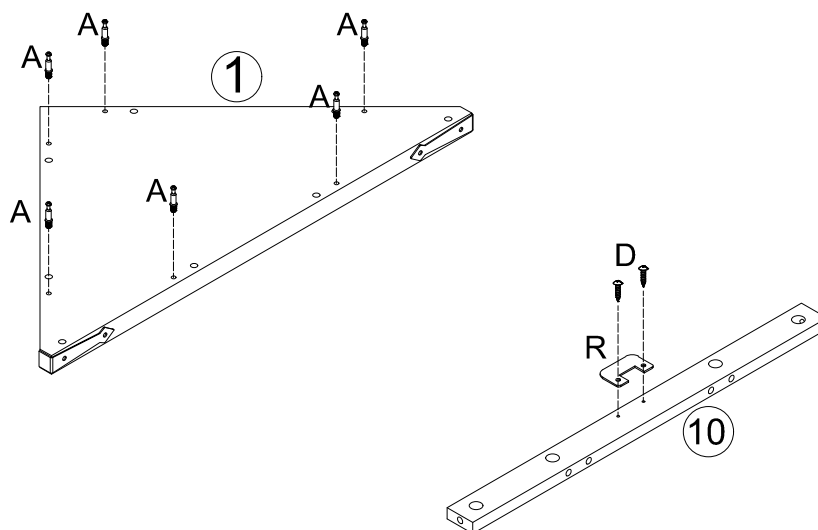
<p>16</p> <p>1 PC</p> 	<p>17</p> <p>1 PC</p> 	<p>18</p> <p>1 PC</p> 
<p>19</p> <p>1 PC</p> 	<p>20</p> <p>2 PCS</p> 	

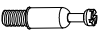


Parts List(EN) / Teile Liste(DE)

<p>A</p>  <p>Ø6*32mm 16+2PCS</p>	<p>B</p>  <p>Ø15*9.5mm 16+2PCS</p>	<p>C</p>  <p>Ø8*30mm 40+2PCS</p>
<p>D</p>  <p>Ø3.5*14mm 42+2PCS</p>	<p>E</p>  <p>M4*40mm 11+1 PCS</p>	<p>F</p>  <p>M4*50mm 4 PCS</p>
<p>G</p>  <p>4 PCS</p>	<p>H</p>  <p>M4*18mm 8+1 PCS</p>	<p>I</p>  <p>2 PCS</p>
<p>J</p>  <p>M4*12mm 2 PCS</p>	<p>K</p>  <p>M4*32mm 2 PCS</p>	<p>L</p>  <p>72*24*15mm 2 PCS</p>
<p>M</p>  <p>1 PC</p>	<p>N</p>  <p>M3*14mm 2 PCS</p>	<p>O</p>  <p>2PCS</p>
<p>P</p>  <p>M3*12mm 2 PCS</p>	<p>Q</p>  <p>M4*18mm 18+2 PCS</p>	<p>R</p>  <p>1 PC</p>
<p>S</p>  <p>8 PCS</p>	<p>T</p>  <p>8+1 PCS</p>	<p>U</p>  <p>Ø6*20mm 8+1PCS</p>
<p>V</p>  <p>M4*45mm 4 PCS</p>		

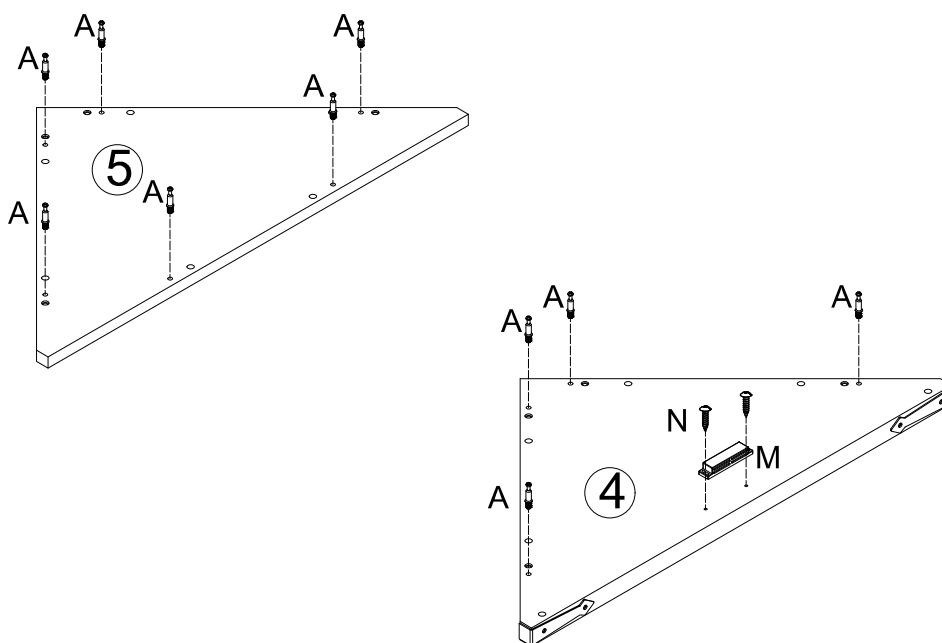
Assembly Steps(EN) / Montageschritte(DE)

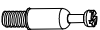
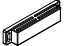

STEP 1



	A x 6PCS
	D x 2PCS
	R x 1PC

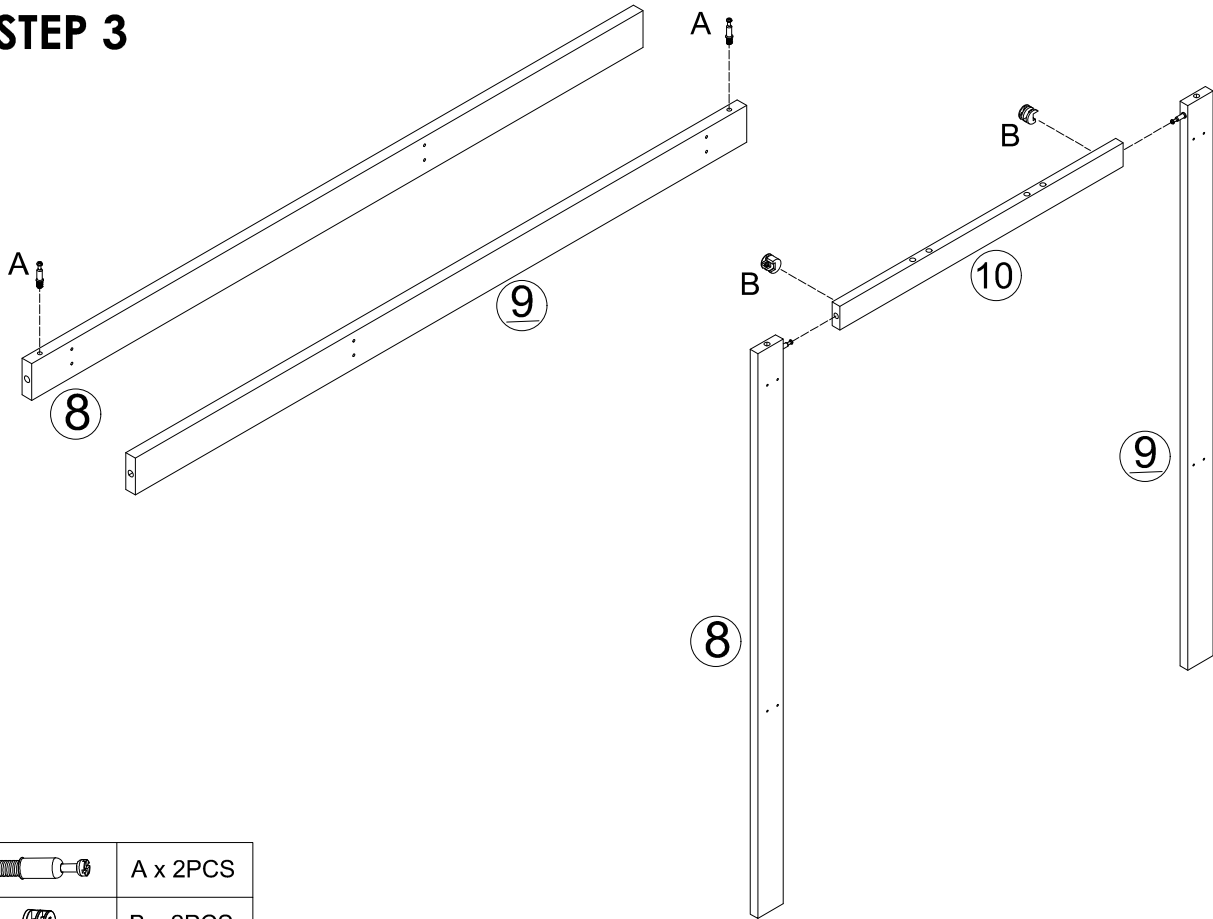
STEP 2

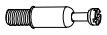



	A x 10PCS
	M x 1PC
	N x 2PCS

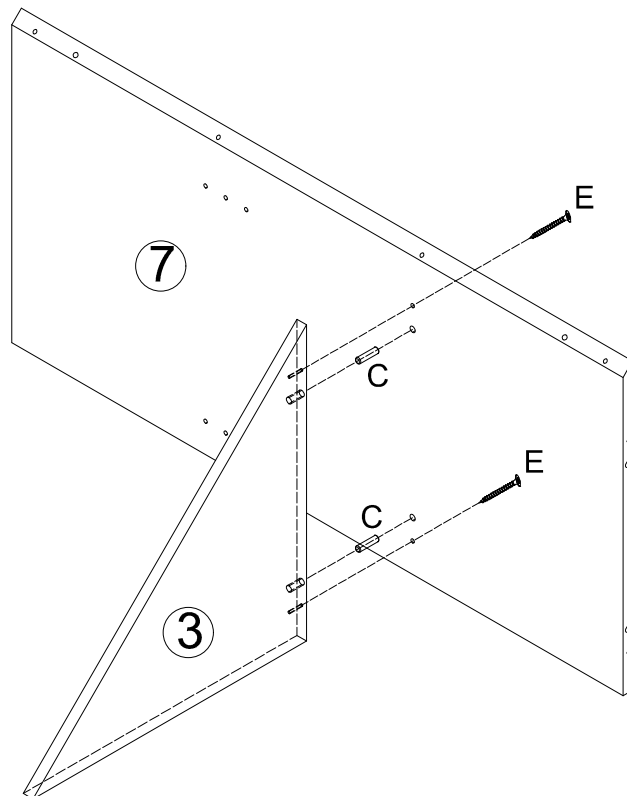
Assembly Steps(EN) / Montageschritte(DE)



STEP 3



	A x 2PCS
	B x 2PCS

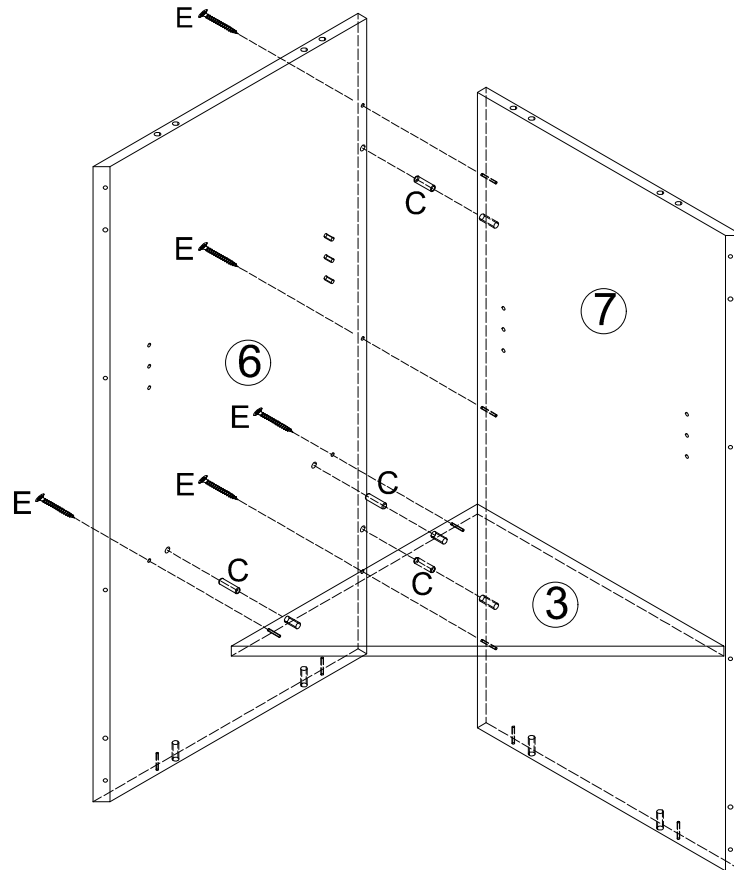
STEP 4





	C x 2PCS
	Ex 2PCS

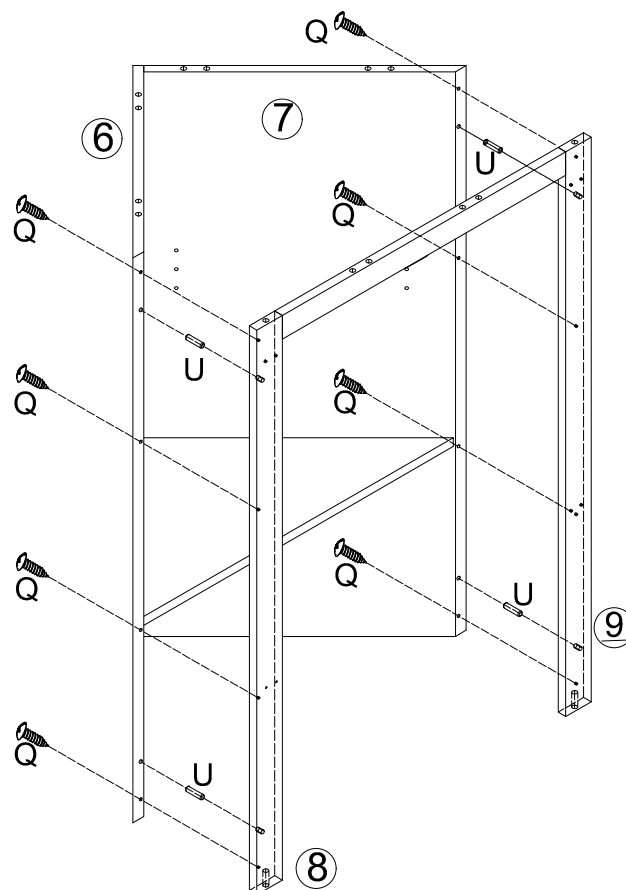
Assembly Steps(EN) / Montageschritte(DE)



STEP 5



	C x 4PCS
	Ex 5PCS

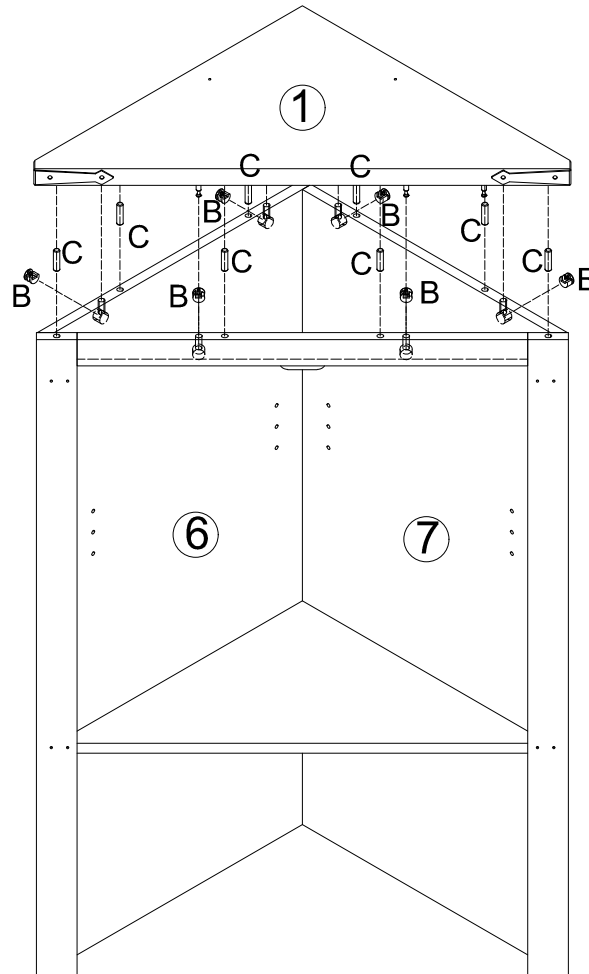
STEP 6





	Q x 8PCS
	U x 4PCS

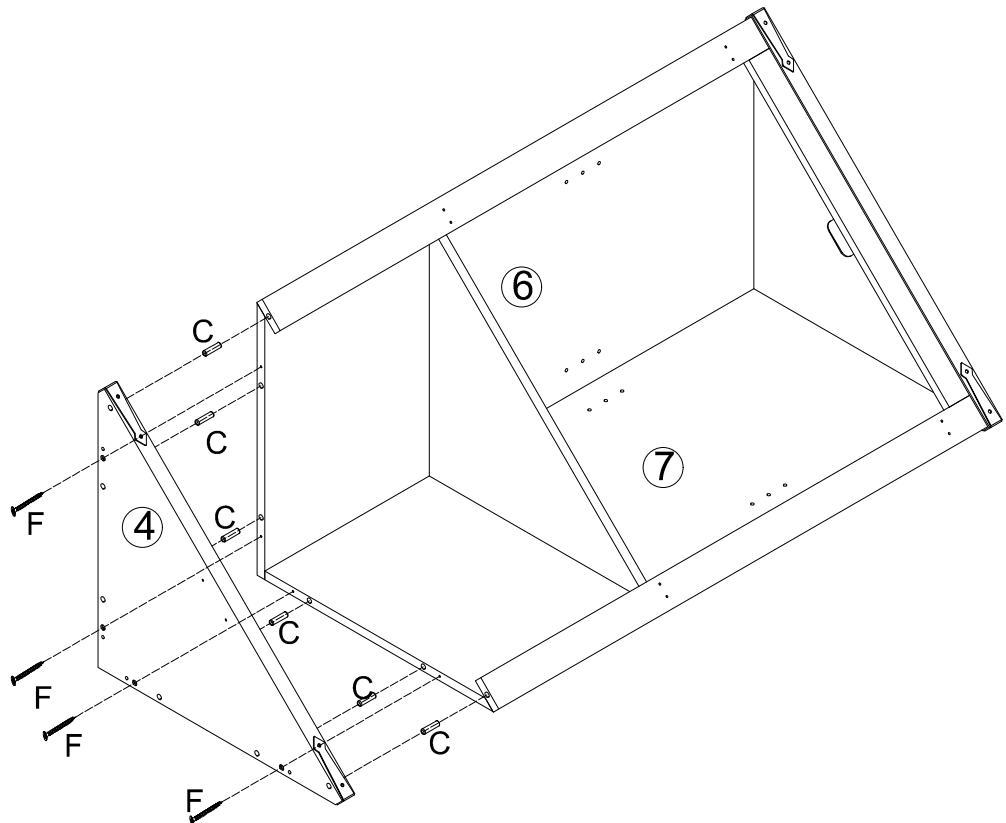
Assembly Steps(EN) / Montageschritte(DE)



STEP 7



	B x 6PCS
	C x 8PCS

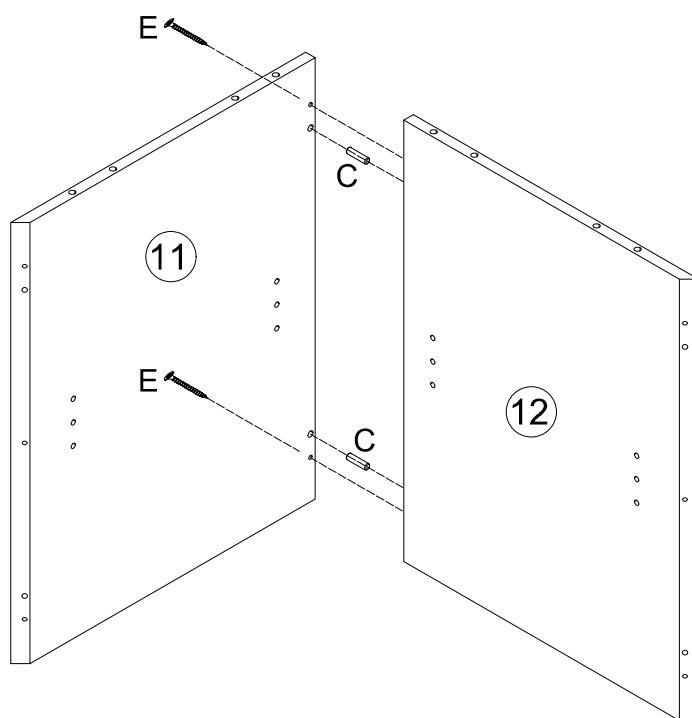
STEP 8





	C x 6PCS
	F x 4PCS

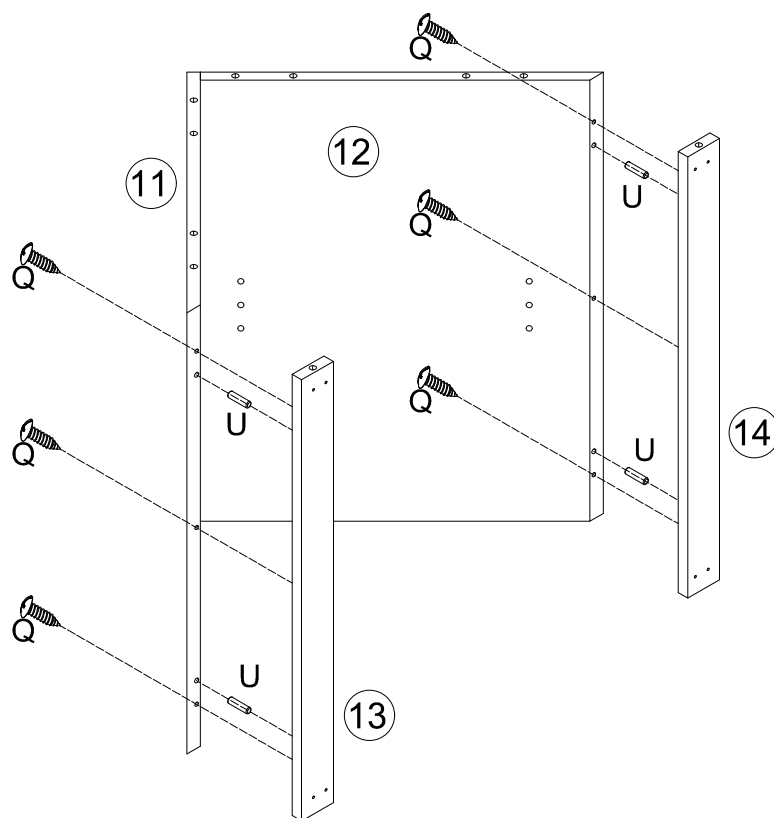
Assembly Steps(EN) / Montageschritte(DE)



STEP 9



	C x 2PCS
	E x 2PCS

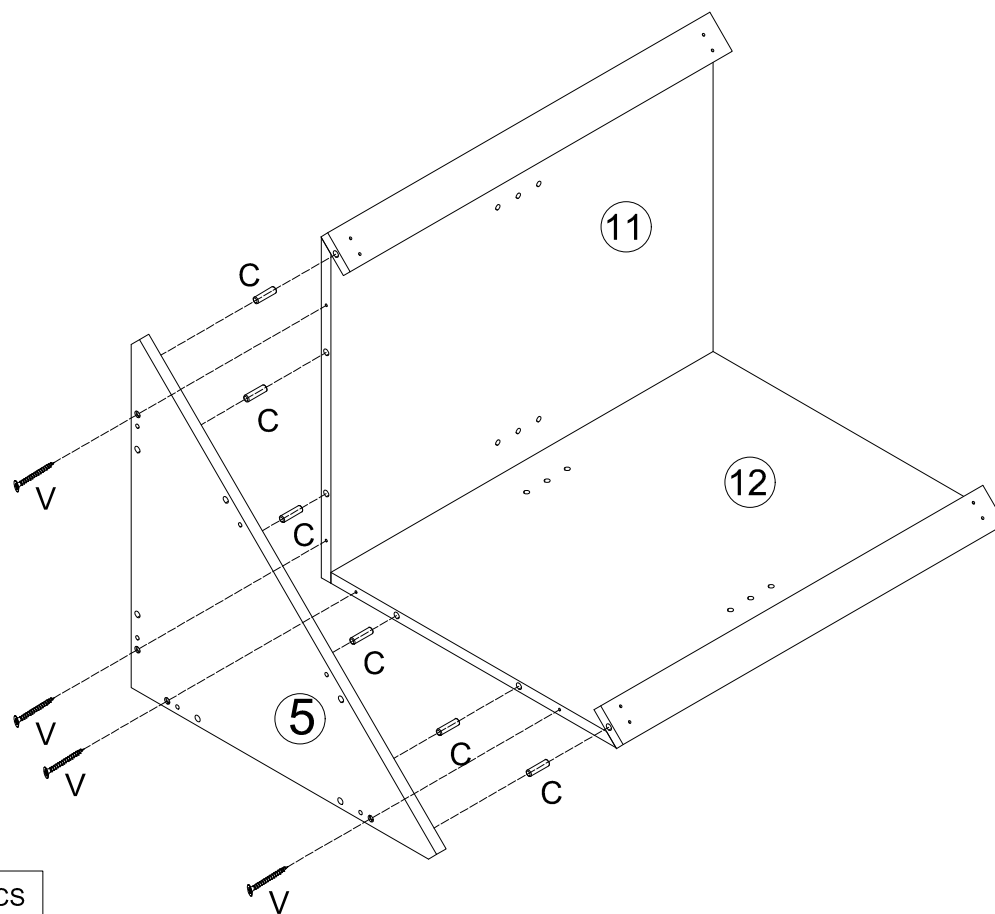
STEP 10



	Q x 6PCS
	U x 4PCS

Assembly Steps(EN) / Montageschritte(DE)

STEP 11

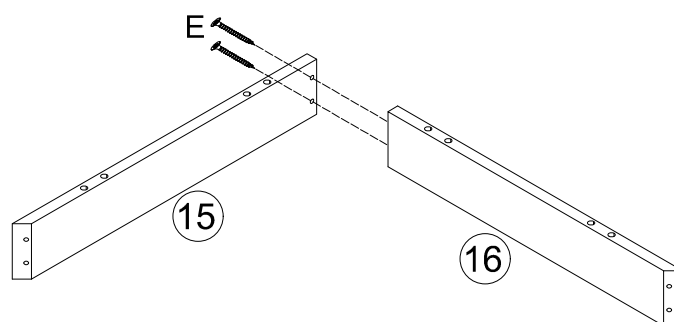


C x 6PCS



V x 4PCS

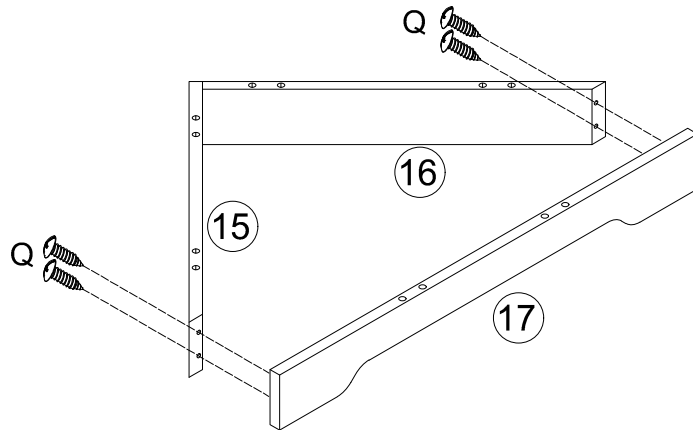
STEP 12



Ex 2PCS

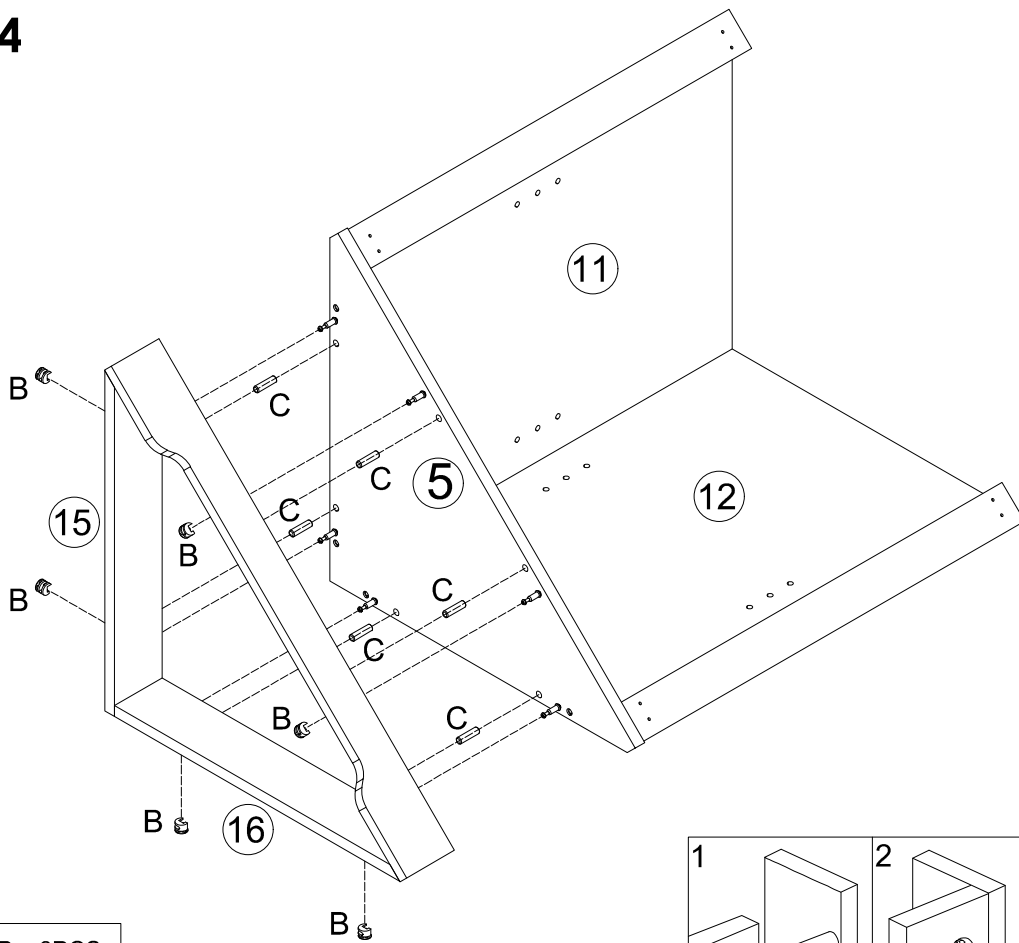
Assembly Steps(EN) / Montageschritte(DE)

STEP 13



Q x 4PCS

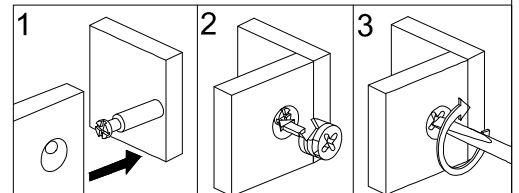
STEP 14



B x 6PCS

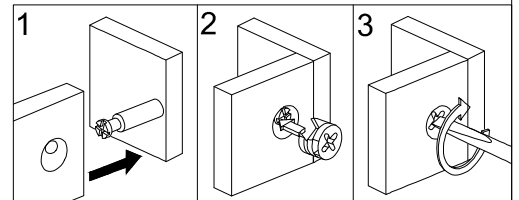
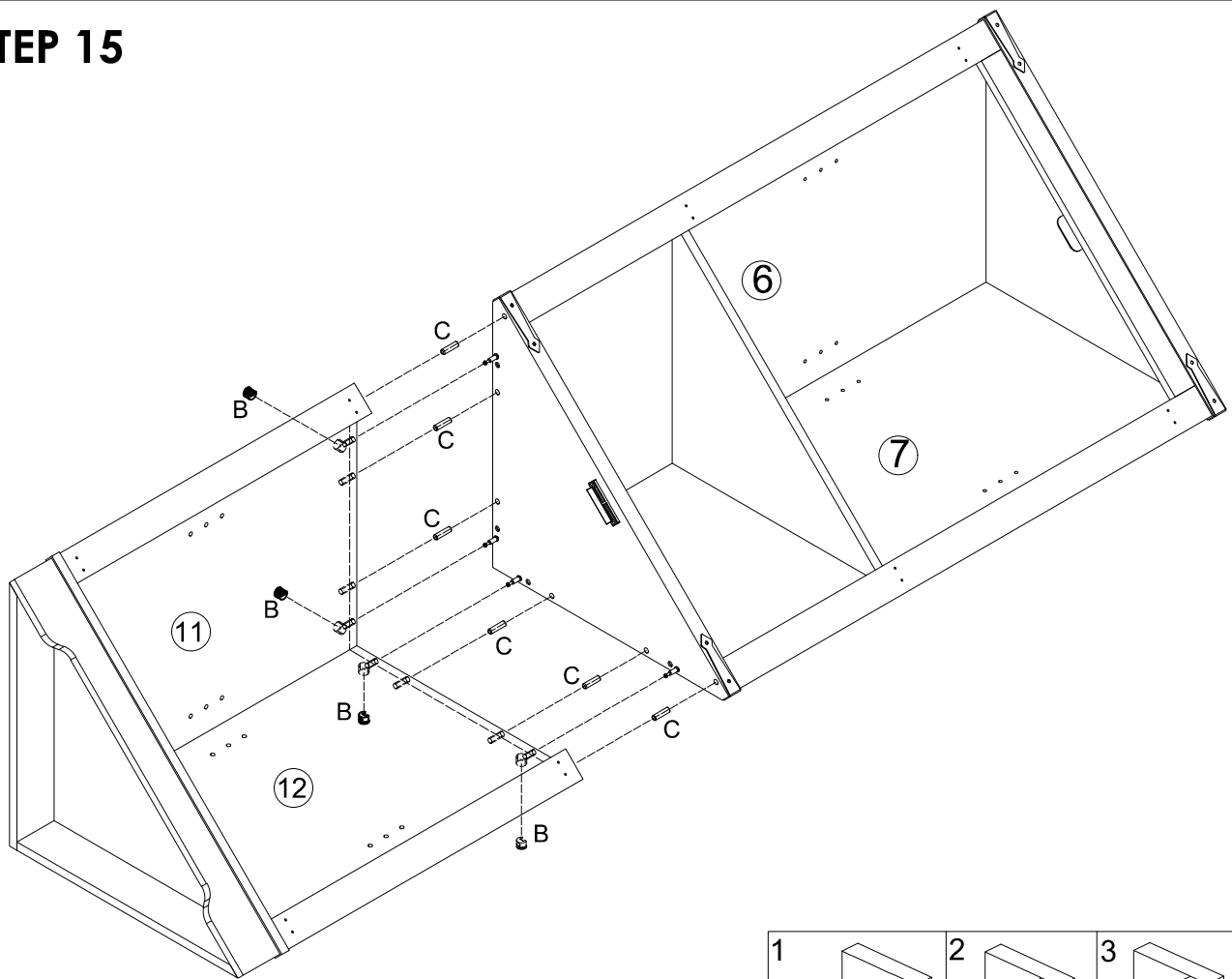




C x 6PCS



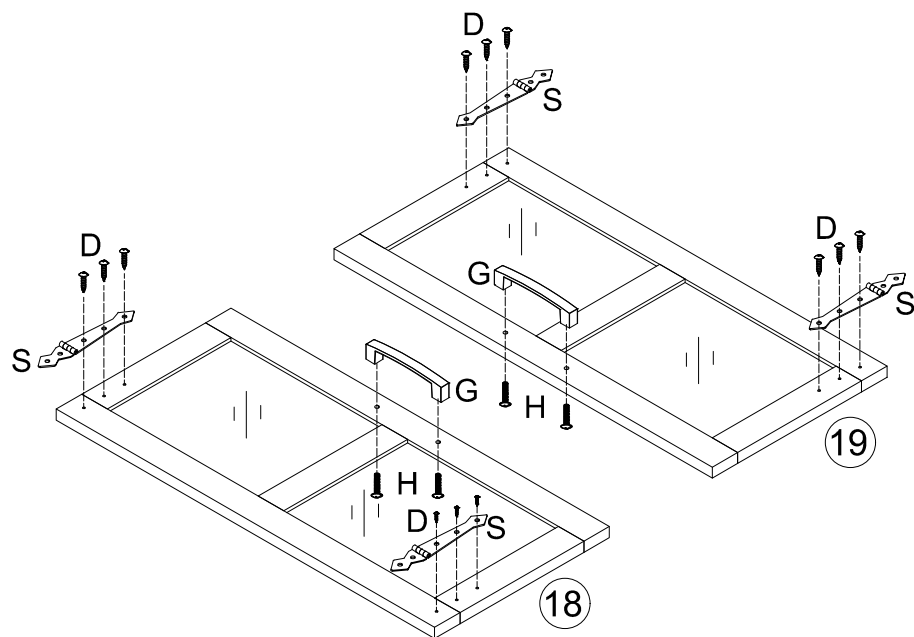
Assembly Steps(EN) / Montageschritte(DE)





STEP 15



	B x 4PCS
	C x 6PCS

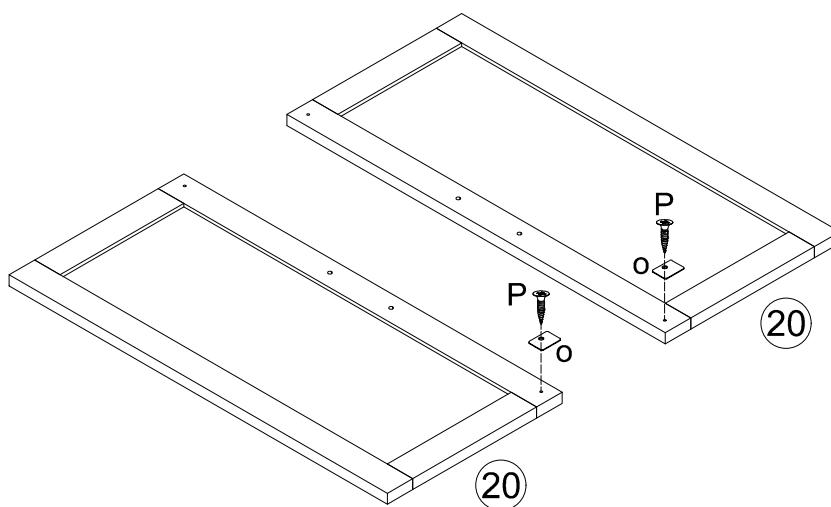
STEP 16





	D x 12PCS
	G x 2PCS
	H x 4PCS
	S x 4PCS

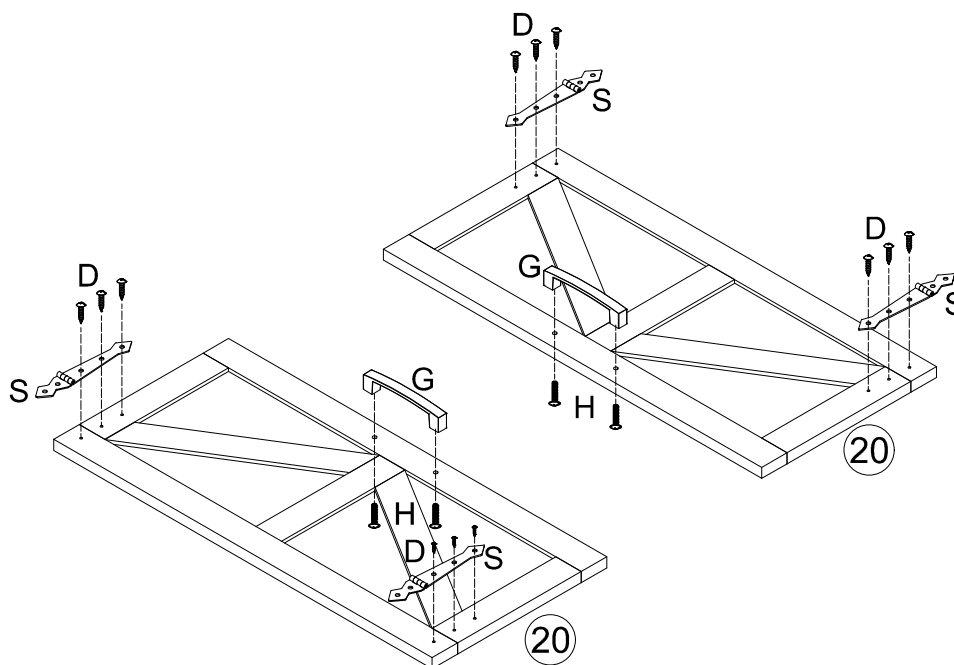
Assembly Steps(EN) / Montageschritte(DE)





STEP 17



	O x 2PCS
	P x 2PCS

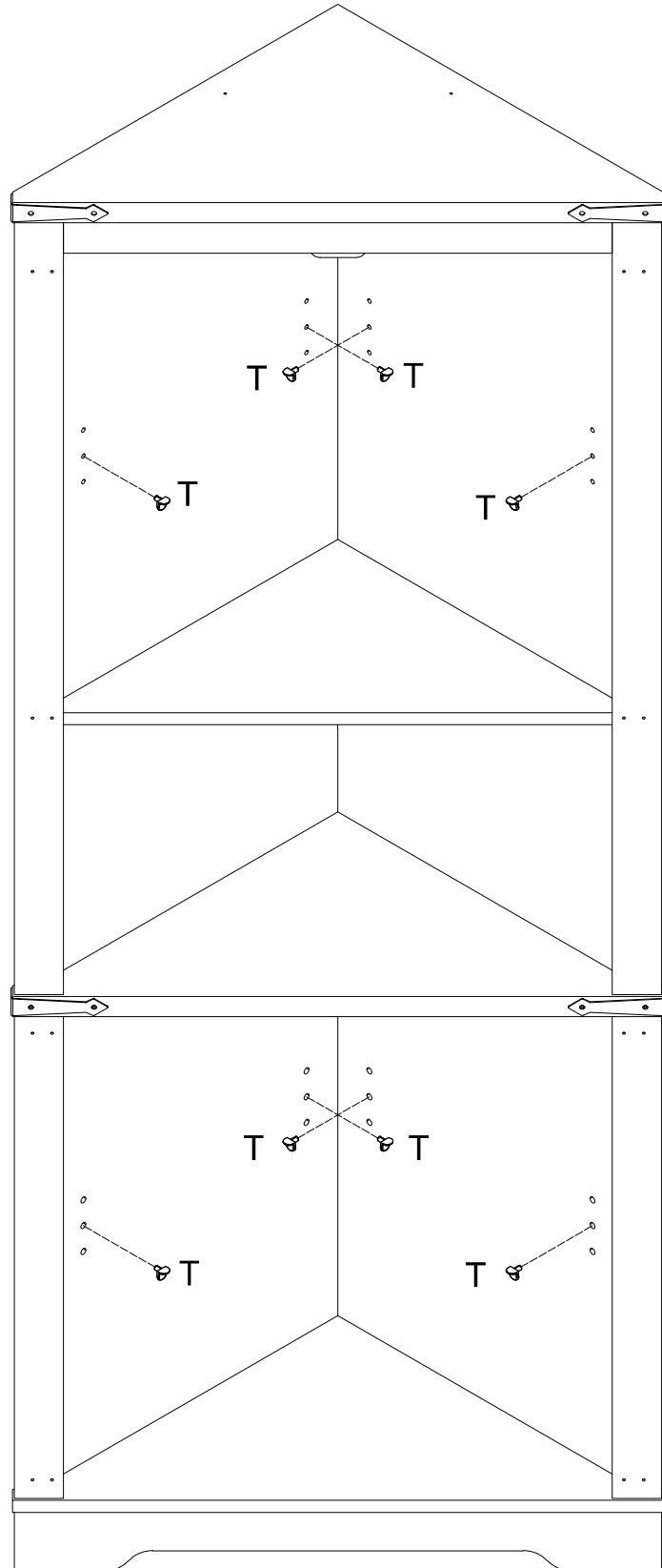
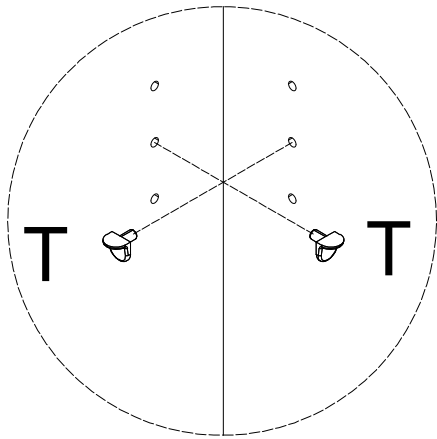
STEP 18



	D x 12PCS
	G x 2PCS
	H x 4PCS
	S x 4PCS

Assembly Steps(EN) / Montageschritte(DE)

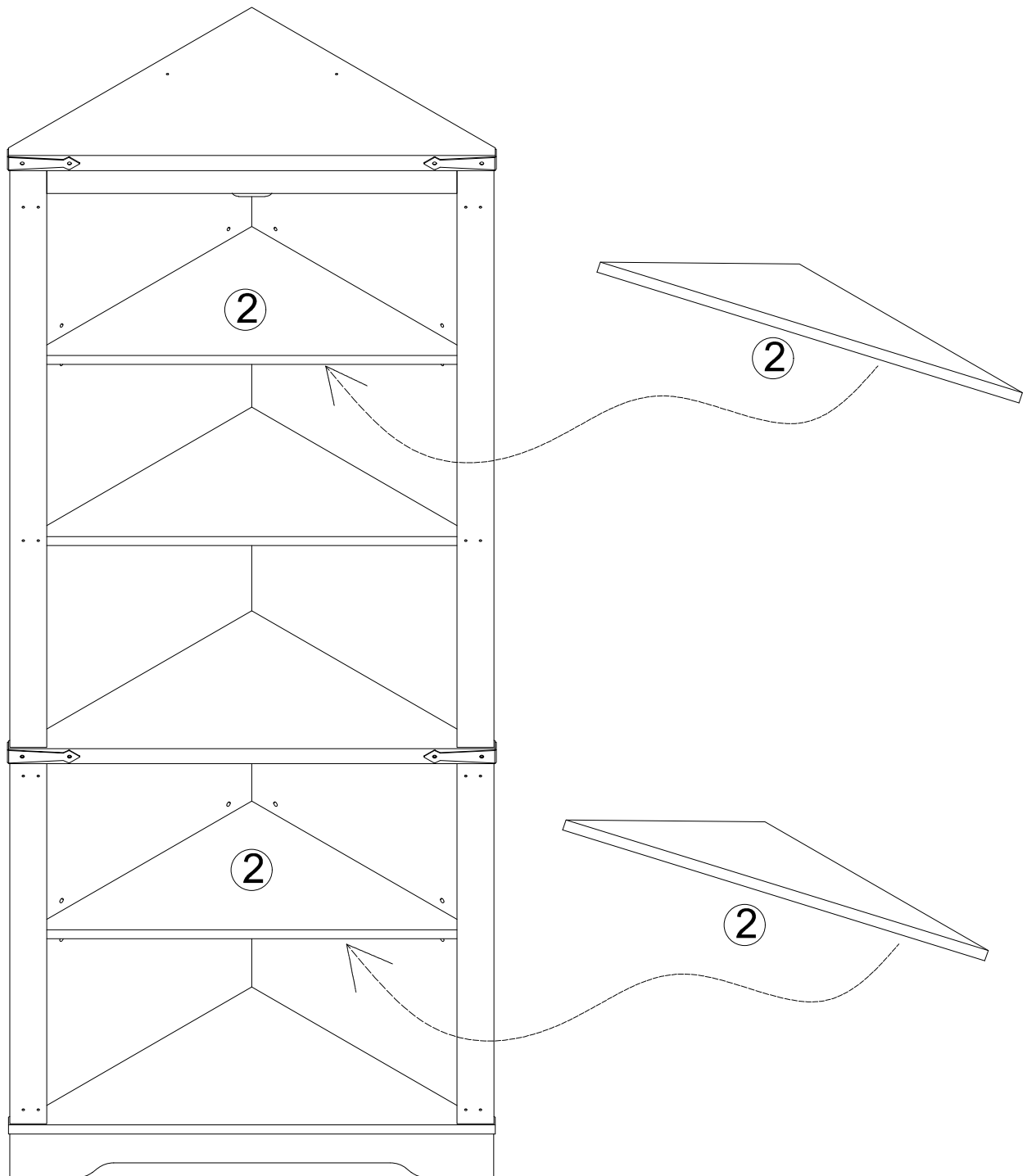
STEP 19



T x 8PCS

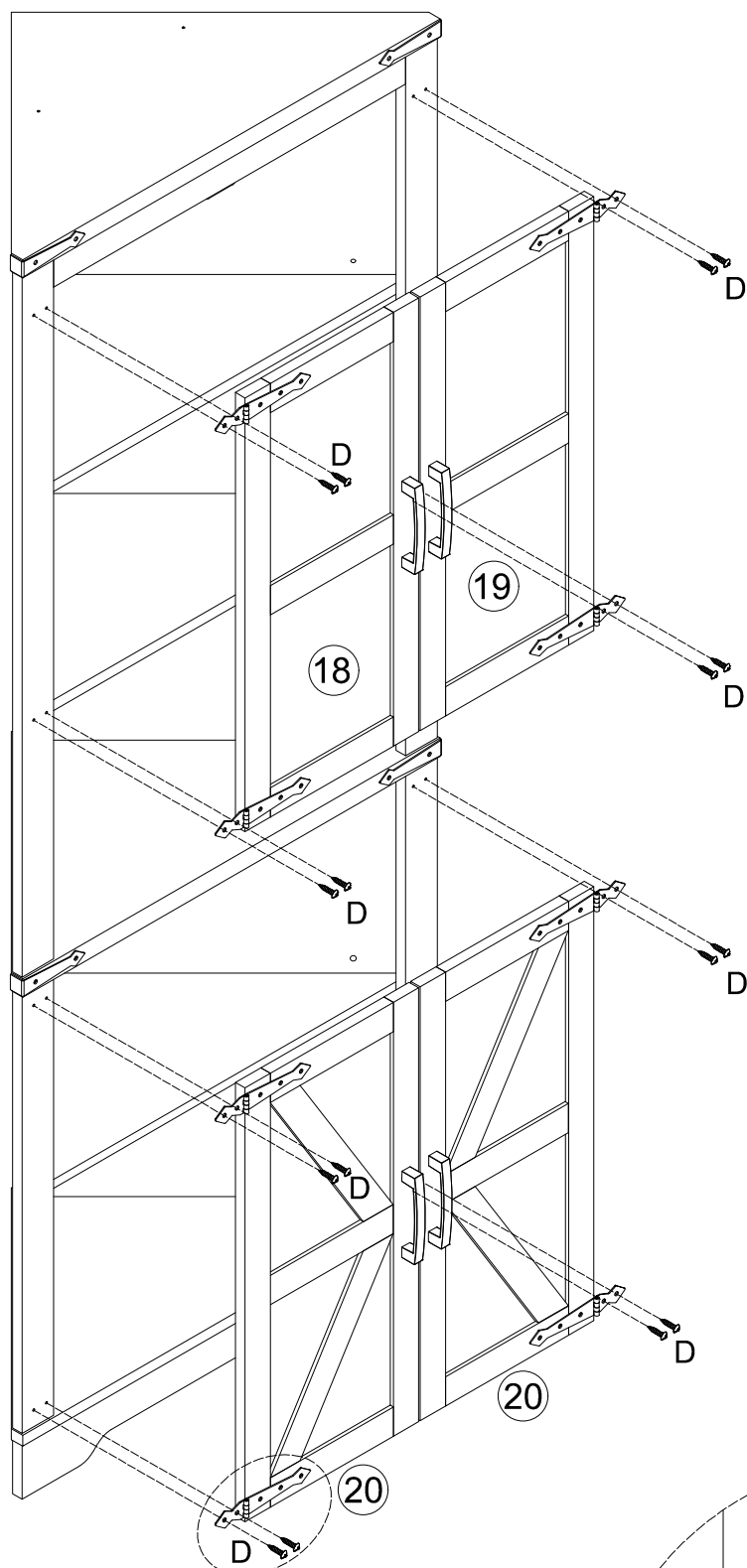
Assembly Steps(EN) / Montageschritte(DE)

STEP 20

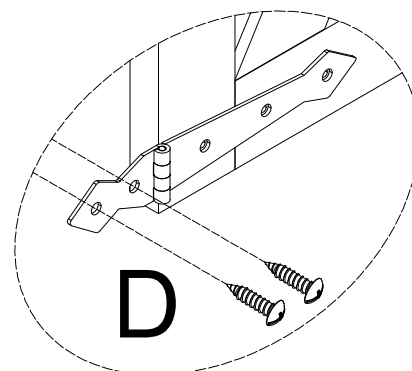


Assembly Steps(EN) / Montageschritte(DE)

STEP 21

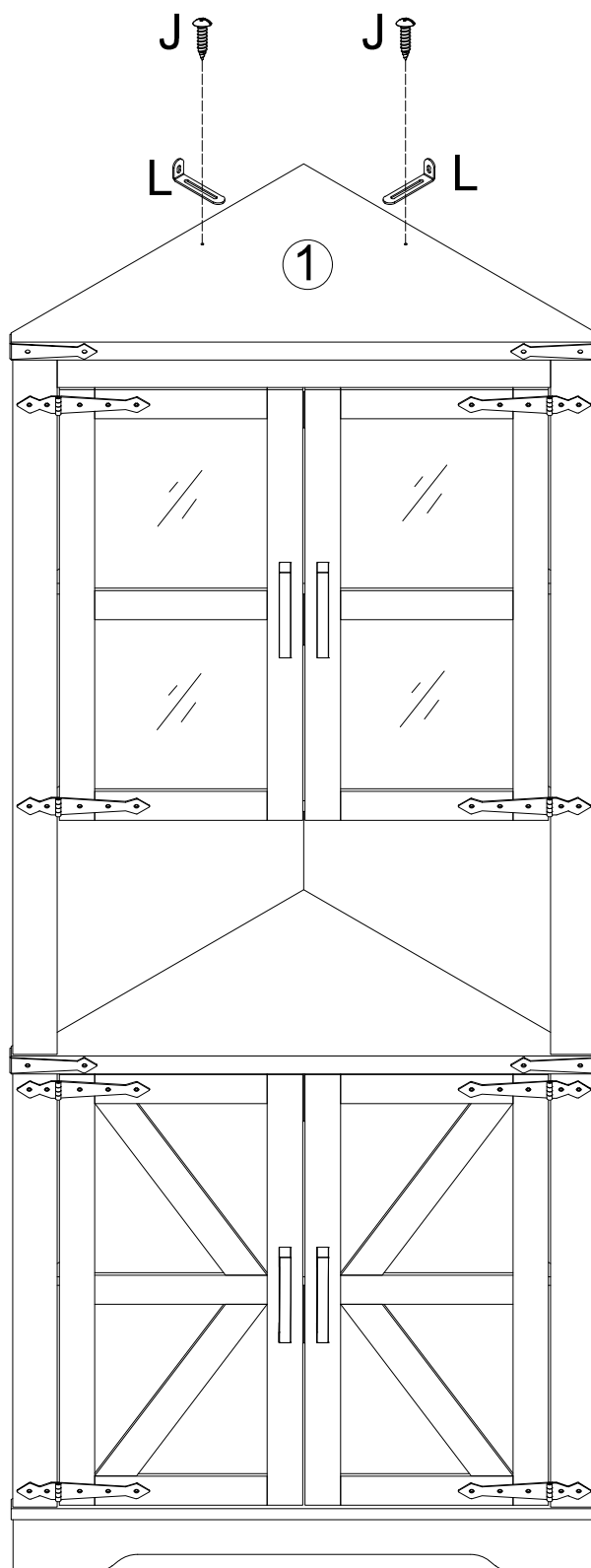




D x 16PCS



Assembly Steps(EN) / Montageschritte(DE)

STEP 22



	J x 2PCS
	L x 2PCS

Assembly Steps(EN) / Montageschritte(DE)

STEP 23

Drill 2 holes on the wall at the required position for anti-falling device installation.

