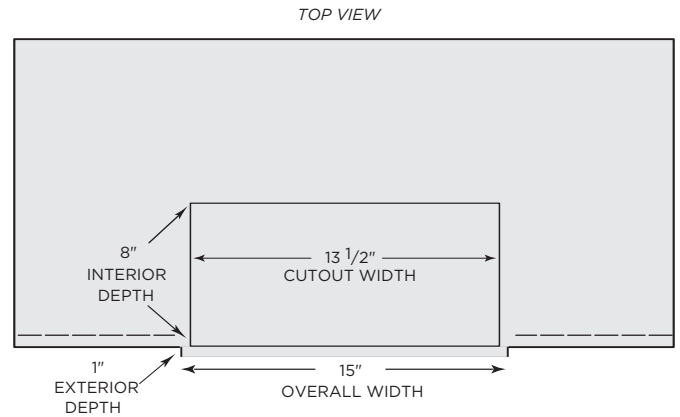
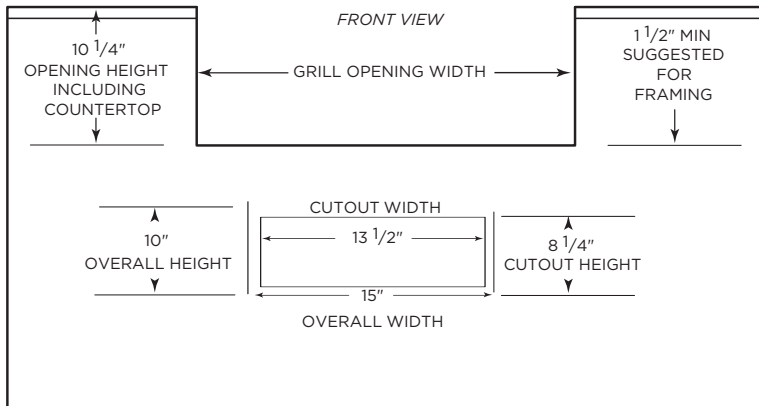
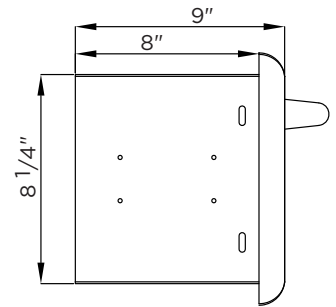
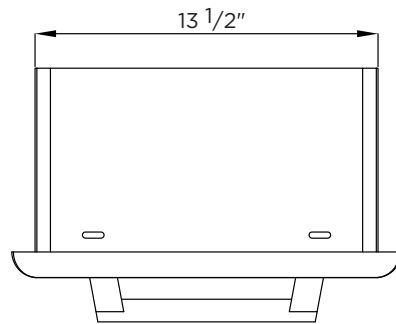
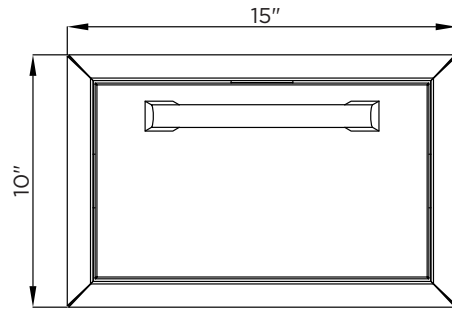
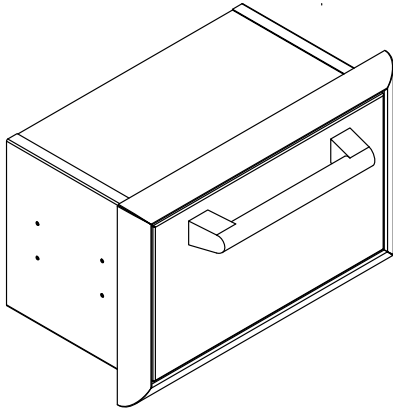


C3-PTH INSTALL GUIDE

DIMENSIONAL RENDERINGS



| Overall Product Dimensions | | | |
|----------------------------|--------|-------|-------|
| Model No. | Height | Width | Depth |
| C3-PTH | 10" | 15" | 9" |

| Cutout Dimensions for Island | | | |
|------------------------------|--------|---------|-------|
| Model No. | Height | Width | Depth |
| C3-PTH | 8 1/4" | 13 1/2" | 8" |

Install Notes:

- ✓ 2 anchor points are located on each side of the doors interior frame (top, bottom, left and right)
- ✓ Due to wide variance of possible building materials, anchors are not included
- ✓ When inserting your anchors be sure to use a framing square to ensure the door is not pulled out of square
- ✓ Additional framing and/or support underneath the rear (hanging portion) of the cabinet is recommended
- ✓ These specs are accurate but we always suggest having the product physically on site to ensure full understanding of how this product will coordinate with your build