

Installationsplan / Installation plan

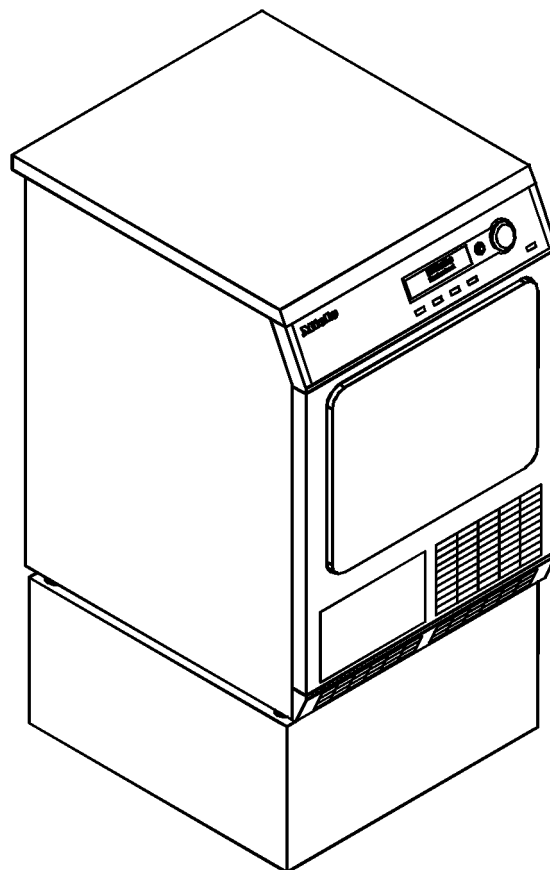
Installatietekening
Plan d'installation
Piano di installazione

Plano de instalación
Plano de instalação
Σχέδιο εγκατάστασης

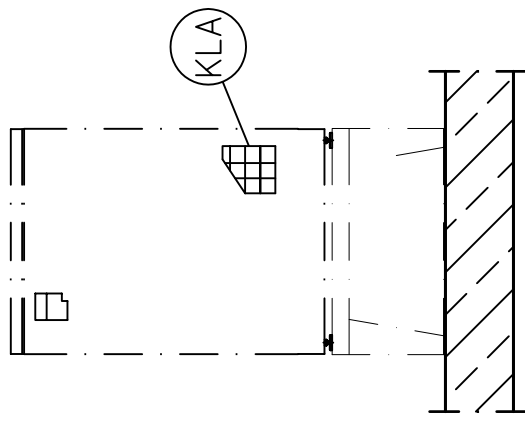
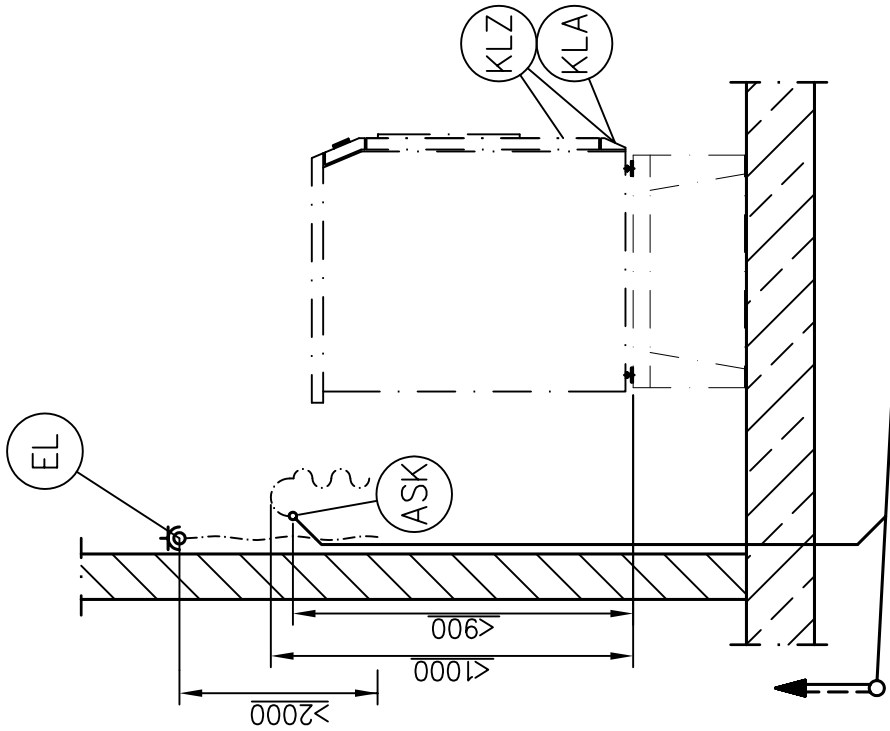
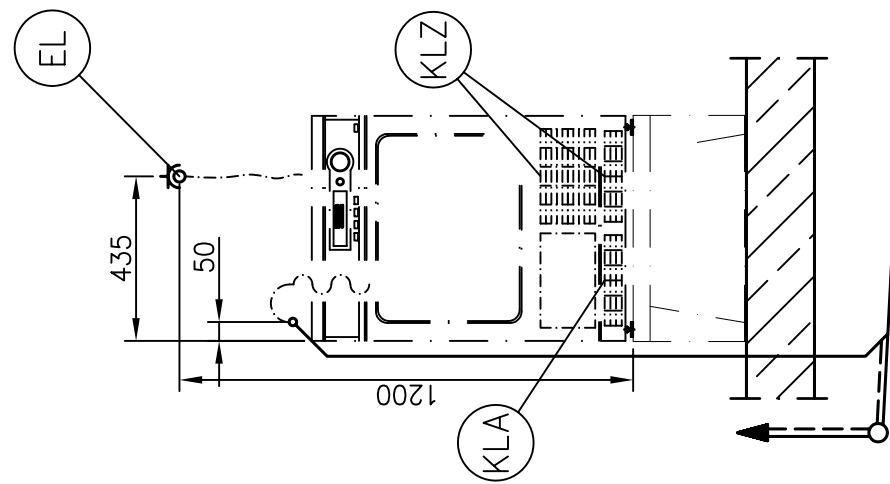
Asennusohje
Installasjonsplan
Installationsplan



PT 7135 C / PT 5135 C EL

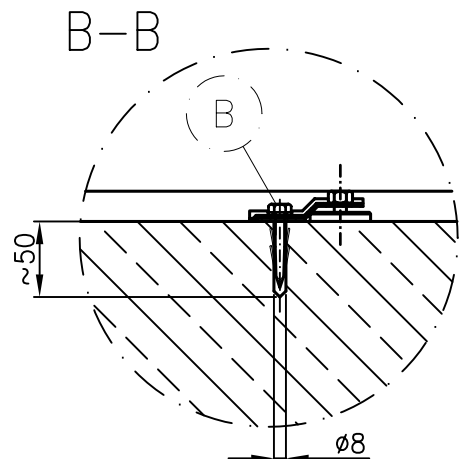
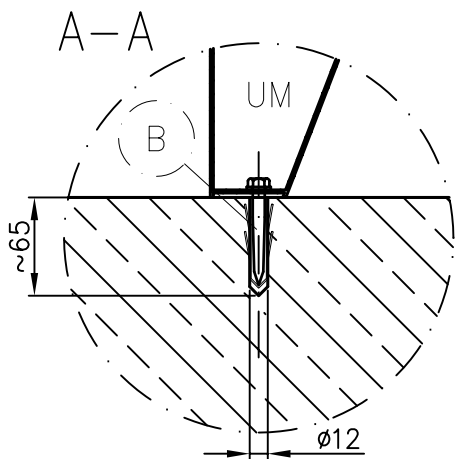
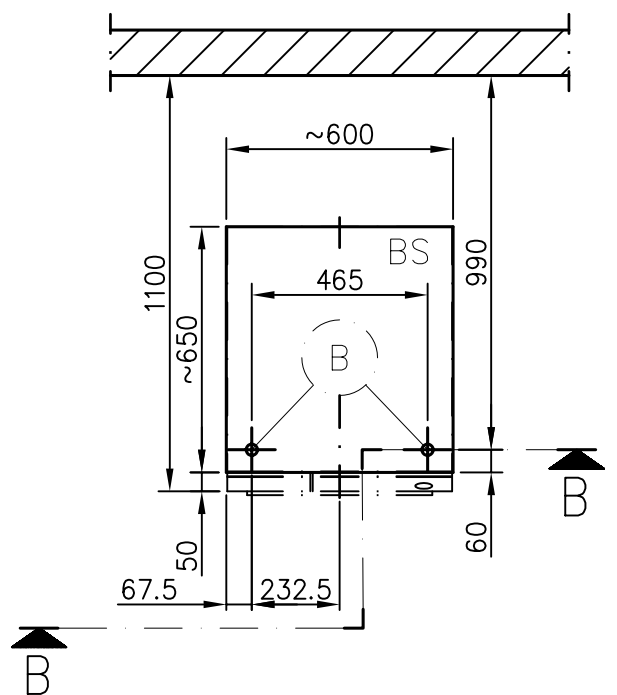
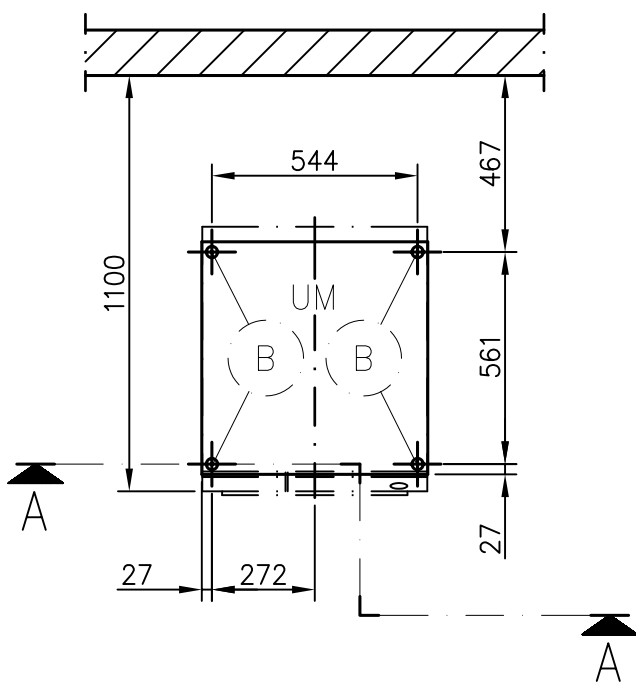
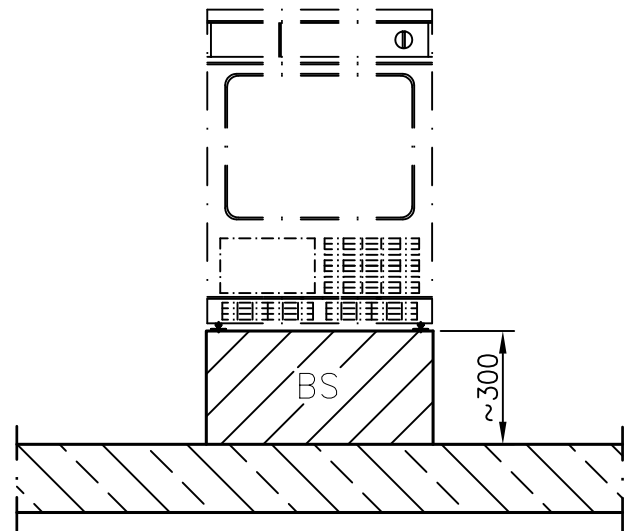
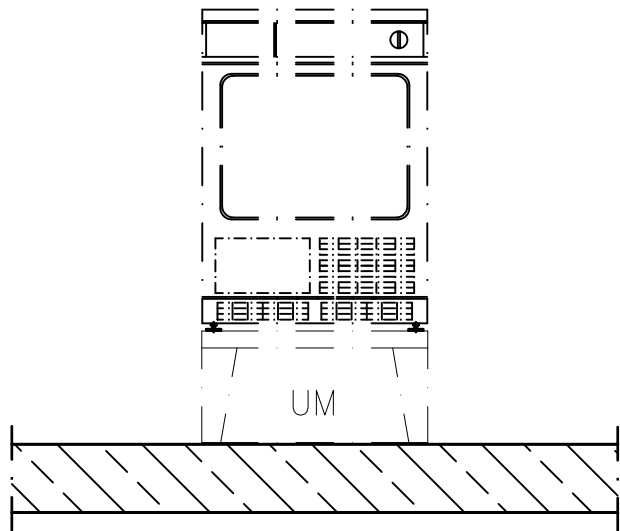


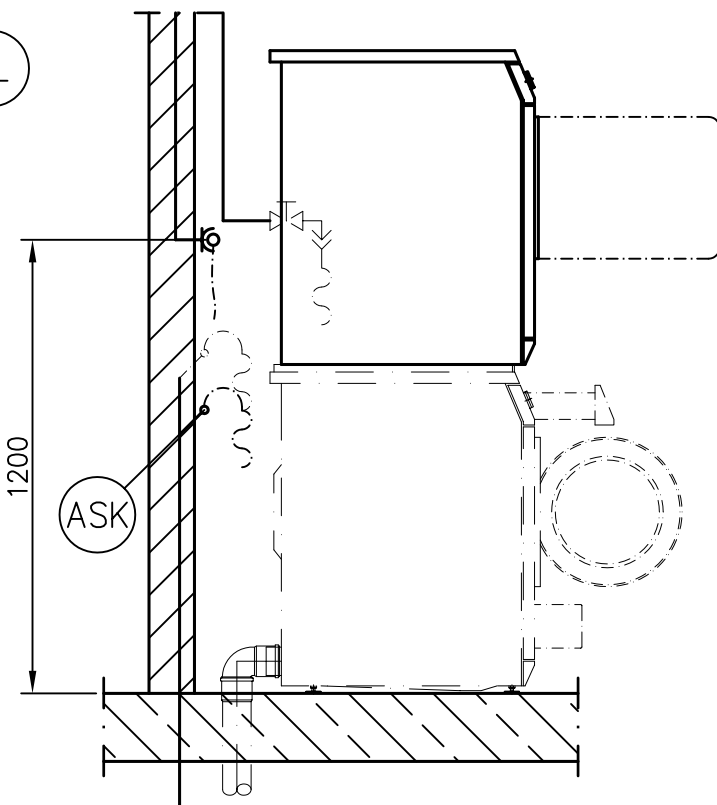
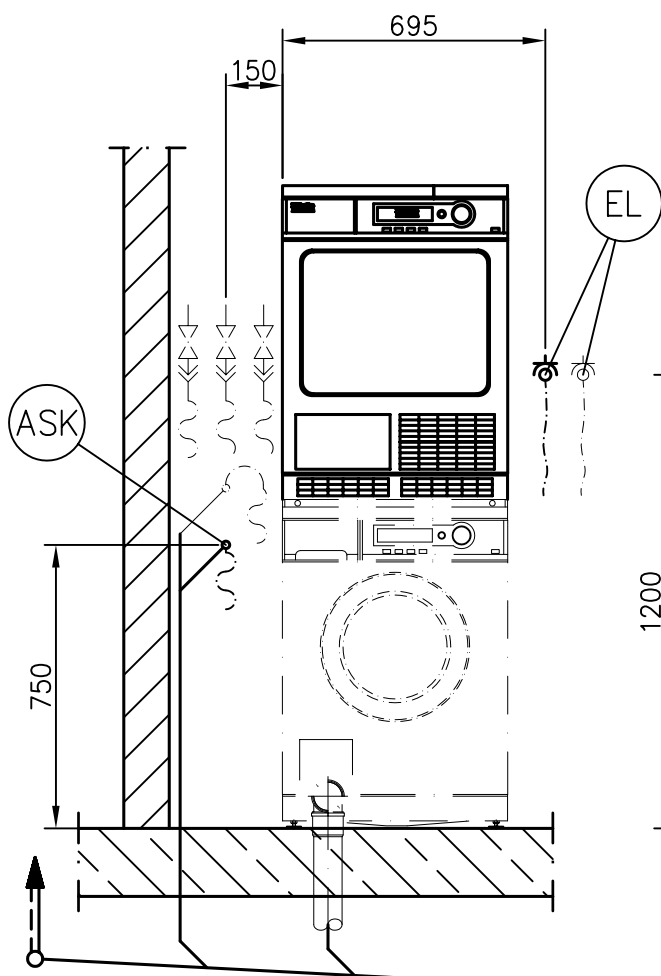
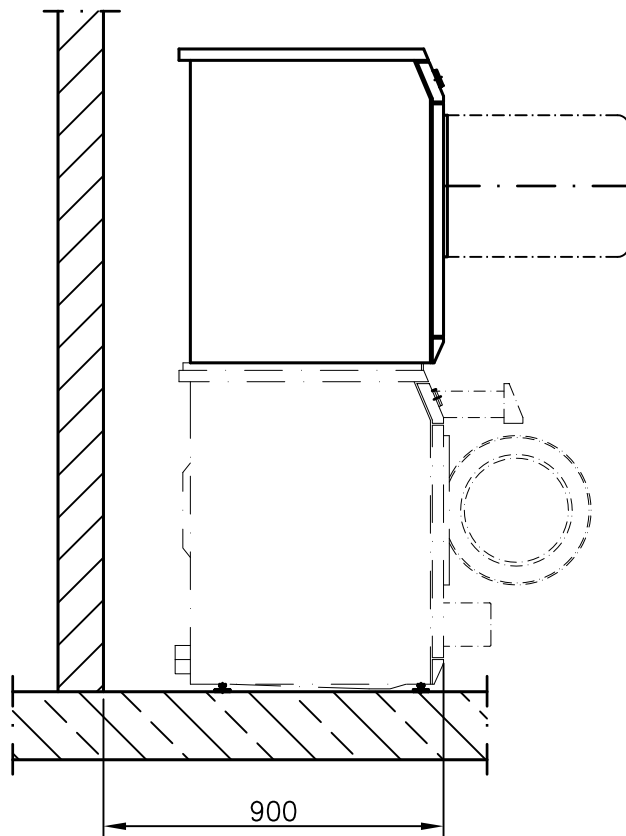
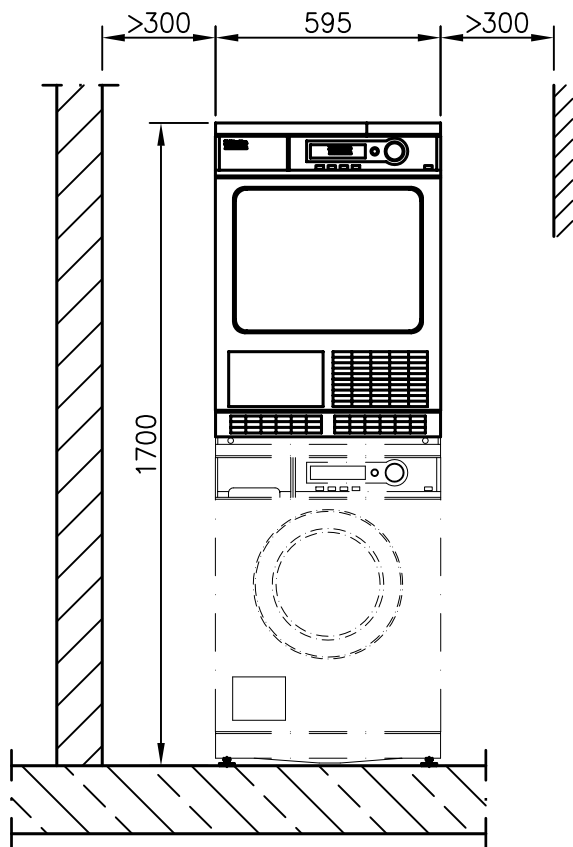
Materialnummer	/	Mat. no.:	06 664 250
Änderungsstand	/	Version:	01
Datum Zeichnung	/	Drawing date:	25.04.2005
Datum Legende	/	Legend date:	31.05.2005



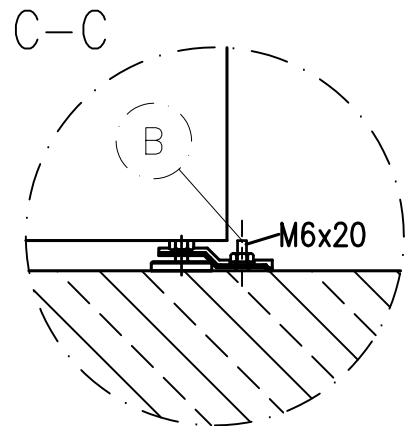
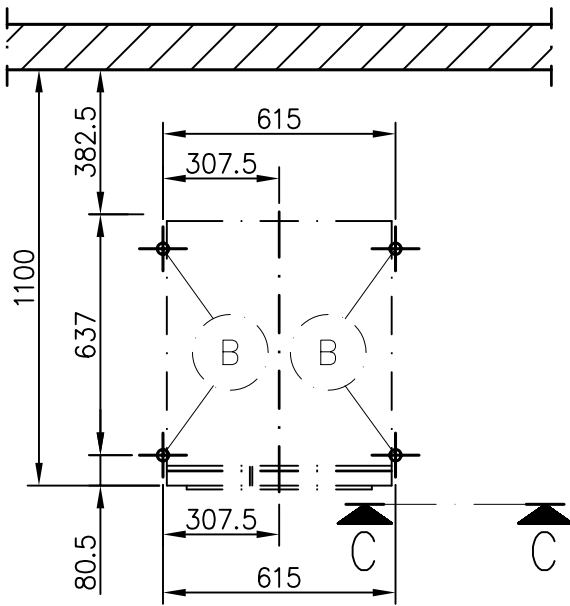
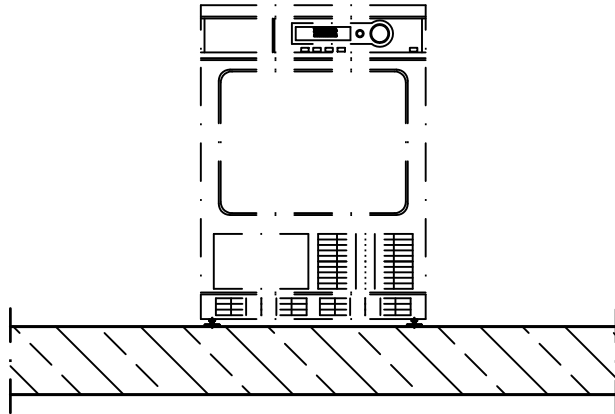
Installationsplan/Installation plan
 Trockner
 PT 7135 C/ PT 5135 C EL

Date:	25.04.2005
Page:	4
Name:	THage





Sonderbau / Special Version



Technical datasheet



Tumble dryers:
Heating:

PT 7135 C / PT 5135 C
Electric (EL)

Legend:



Circled, bold-type abbreviations:
Connection required



Abbreviations surrounded by broken circle:
Connection optional or required, depending on model











Optional extras:


UM	Miele plinth	UG/UO 5005 (UG = Box plinth/UO = Open plinth) Height Model Width UG (UO) Depth UG (UO)	mm mm mm	300 609 (598) 622 (615)
BS	Concrete platform	Concrete platform optional (Min. quality B15) Recommended height Minimum height Recommended width Recommended depth Ensure good anchorage!	mm mm mm mm	300 100 600 650

Machine connections:

(EL)	Electrical connection (D)	1. Standard voltage (as supplied) Frequency Rated load Fuse rating Connection cable, min. cross-section Length of supply lead (H07 RN-F without plug) (supplied)	V Hz kW A mm ² mm	2N AC 400 50 3.68 2 × 10 4 × 1.5 2000
		1. Alternative voltage Frequency Rated load Fuse rating Supply lead as above	<i>convertible</i> V Hz kW A	3 AC 230 50 3.68 3 × 16
		2. Alternative voltage Frequency Rated load Fuse rating Connection cable, min. cross-section Length of supply lead (H05 RN-F without plug) (supplied)	<i>convertible</i> V Hz kW A mm ² mm	1N AC 230 50 3.68 1 × 16 3 × 1.5 2000
		3. Alternative voltage Frequency Rated load Fuse rating Supply lead as above	<i>convertible</i> V Hz kW A	1N AC 230 50 2.15 1 × 10
Country variations:				
(GB) (IRL)		2. Standard voltage (as supplied) Frequency Rated load Fuse rating Connection cable, min. cross-section Length of supply lead (H05 RN-F with plug) (supplied)	V Hz kW A mm ² mm	1N AC 220-230 50 2.7 – 2.95 1 × 13 3 × 1.5 2000

	3. Standard voltage (as supplied) Frequency Rated load Fuse rating Connection cable, min. cross-section Length of supply lead (H05 RN-F without plug) (supplied)	V Hz kW A mm ² mm	2N AC 400 50 3.68 2 × 10 4 × 1.5 2000
	4. Standard voltage (as supplied) Frequency Rated load Fuse rating Connection cable, min. cross-section Length of supply lead (H05 RN-F without plug) (supplied)	V Hz kW A mm ² mm	1N AC 230 50 3.68 1 × 16 3 × 1.5 2000
	5. Standard voltage (as supplied) Frequency Rated load Fuse rating Connection cable, min. cross-section Length of supply lead (H05 RN-F with plug) (supplied)	V Hz kW A mm ² mm	1N AC 230-240 50 2.15 – 2.35 1 × 10 3 × 1.0 2000
	6. Standard voltage (as supplied) Frequency Rated load Fuse rating Connection cable, min. cross-section Length of supply lead (H05 RN-F with plug) (supplied)	V Hz kW A mm ² mm	2N AC 200 50-60 2.85 2 × 20 3 × 2.75 2000
	Plug and socket connection in accordance with IEC 60309 recommended to facilitate electrical safety tests. Install mains isolator according to IEC 60947 on hard-wired connection. Wall socket or mains isolator must be accessible after installation. The use of an earth leakage circuit breaker (ELCB) is strongly recommended. If necessary, equipotential bonding with good galvanic contact must be provided in accordance with all appropriate national and local regulations.		
	Cold air intake	Unobstructed vent required for cold air	
	Cold air discharge vent	Unobstructed vent required for cold air	
	Condensate drain hose	Max. temperature Drain hose (Int. dia. × wall thickness × l) [DN 10] Hose sleeve for drain hose to be provided on site (ext. dia. × l) Max. transient throughput Max. head height (measured from base of unit)	°C mm mm l/min mm 60 10 × 2.5 × 2000 10 × 30 3 1000
	Fittings (supplied)	Miele plinth UG/UO 5005 4 × metal angled brackets (to secure machine to plinth) 4 × screws DIN 571 (Ø × length) 4 × rawl plugs (Ø × length) Machine must be bolted to the floor! Fixing materials for floating screed floor to be provided on site	mm mm 8 × 65 12 × 60
	On concrete platform 2 × screws DIN 571 (Ø × length) 2 × rawl plugs (Ø × length) Machine must be bolted to the floor! Fixing materials for floating screed floor to be provided on site	mm mm	6 × 50 8 × 40



		Without plinth 2 × screws DIN 571 (Ø × length) 2 × rawl plugs (Ø × length) Machine must be bolted to the floor! Fixing materials for floating screed floor to be provided on site	mm mm	6 × 50 8 × 40
	Payment system			
	Possible extensions	The following extensions are possible: Installation of payment system Installation as washer-dryer stack Connection to serial interface, RS 232		
	Machine data	Width Depth Height Knocked-down dimensions (W × H) Recommended rear wall gap (measured to front of machine) Net weight Dynamic floor load, max. Average heat dissipation (dependent on ambient room temperature and programme selected) Acoustic power level (re1 pW) Sound pressure level (measured at a distance of 1 m from the machine and at a height of 1.6 m)	mm mm mm mm mm kg N W dB (A) dB (A)	595 700 850 600 x 900 1100 60 ~ 670 2.500 68 approx. 55
Installation should only be carried out by authorised fitters in accordance with valid regulations! Observe installation instructions when installing machine! All rights reserved! Measurements in mm				