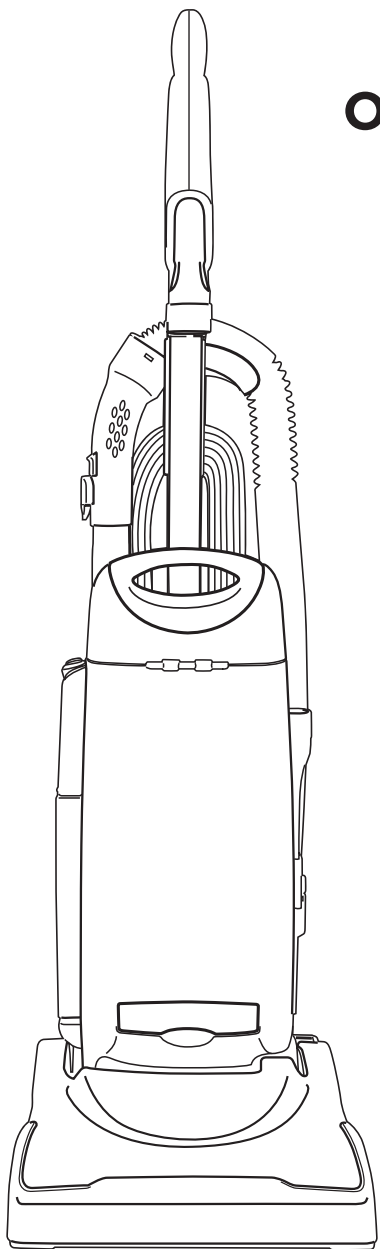


Simplicity[®]

VACUUMS

Owner's Manual

S26



Getting Started

Important Safety Instructions	2
Polarization Instructions	3
Description of the Vacuum	4-5

Assembling the Vacuum

Attaching the Handle to the Vacuum	6
Unwinding the Power Cord	6
Storing the Vacuum	6

Operation

Reclining the Handle	7
Vacuuming Carpet, Rugs, and Bare Floors	7
Brushroll Auto Shutoff Feature	7
Vacuuming Under Furniture	8
Carrying the Vacuum	8

Attachment Cleaning

Telescopic Wand Cleaning	9
Cleaning Tools	10-11
Adjusting the Suction Power for Tool Cleaning and Plush Carpet	11
Disconnecting the Hose.....	11

Maintenance and Care

When to Replace The Vacuum Bag	12
Replacing the Vacuum Bag	13
Replacing the Filters	14
Belt Protection Breaker Reset	15
Thermal Motor Protection	15
Lifetime Belt	16
Annual Checkup	16
Power Cord Care	16

Problem Solving Guide

Troubleshooting	17
How to Contact Your Authorized Vacuum Retailer	17
Key Replacement Parts	17
For Best Performance	17

Warranty	18
-----------------------	----

IMPORTANT SAFETY INSTRUCTIONS

When using an electrical appliance, basic precautions should always be followed, including the following:

READ ALL INSTRUCTIONS BEFORE USING THIS APPLIANCE. FOR HOUSEHOLD USE ONLY.

IMPORTANT: The manufacturer cannot accept responsibility for damage caused when the appliance is not used according to the instructions, or for uses other than those for which it was intended.

WARNING: To reduce the risk of fire, electric shock, damage or injury:

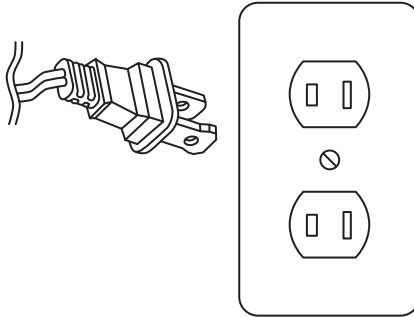
- Do not leave appliance when plugged in. Unplug from outlet when not in use and before servicing.
- Do not use outdoors or on wet surfaces.
- Do not allow to be used as a toy. Close attention is necessary when used by or near children.
- Use only as described in this manual. Use only manufacturer's recommended attachments.
- Do not use with a damaged cord or plug. If appliance is not working as it should, has been dropped, damaged, left outdoors, or dropped into water, return it to an Authorized Vacuum Retailer for service.
- Do not pull or carry by the cord, use the cord as a handle, close a door on the cord, or pull the cord around sharp edges or corners. Do not run appliance over the cord. Keep the cord away from heated surfaces.
- Do not unplug by pulling on the cord. To unplug, grasp the plug, not the cord.
- Do not use the pet hair remover tool on pets.
- Do not handle the plug or appliance with wet hands.
- Do not put any object into openings. Do not use with any opening blocked; keep free of dust, lint, hair and anything that may reduce air flow.
- Keep hair, loose clothing, fingers and all parts of the body away from openings and moving parts.
- Do not pick up anything that is burning or smoking, such as cigarettes, matches or hot ashes.
- Do not use without a vacuum bag and/or filters in place.
- Turn off all controls before unplugging.
- Use extra care when cleaning on stairs.
- Do not use to pick up flammable or combustible liquids such as gasoline or use in areas where they may be present.
- Do not attempt to service the unit while appliance is plugged in.

SAVE THESE INSTRUCTIONS

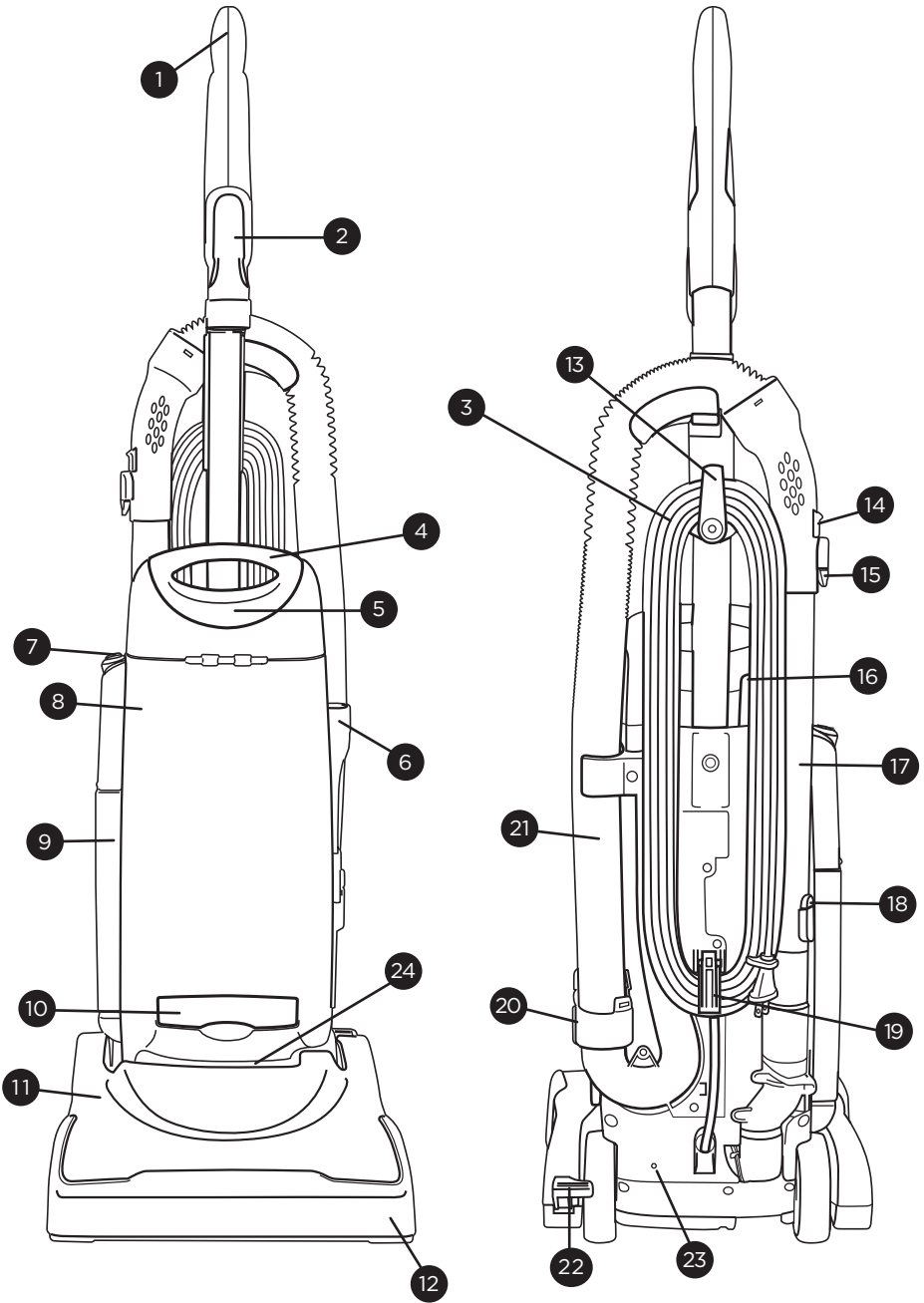
POLARIZATION INSTRUCTIONS

Power Cord, 2-Wire Polarized Cord

To reduce the risk of electric shock, the vacuum is equipped with a polarized alternating current line plug (a plug having one blade wider than the other). This plug will fit into the power outlet only one way. This is a safety feature. If you are unable to insert the plug fully into the outlet, try reversing the plug. If the plug should still fail to fit, contact a qualified electrician to replace the obsolete outlet. Do not defeat the safety purpose of the polarized plug.



DESCRIPTION OF THE VACUUM



DESCRIPTION OF THE VACUUM

- 1 Molded Handle Grip
- 2 Dusting Brush/Upholstery Tool
- 3 Power Cord
- 4 Carrying Handle
- 5 Full Bag/Clog Indicator
- 6 Crevice Tool
- 7 On/Off Switch
- 8 Bag compartment
- 9 Post Filter
- 10 Secondary Filter
- 11 Vacuum Nozzle
- 12 Furniture Guard
- 13 Quick Release Cord Hook
- 14 Suction Relief Valve
- 15 Wand Release Button
- 16 Bag Compartment Button
- 17 Telescopic Wand
- 18 Wand Extension Button
- 19 Lower Cord Hook
- 20 Hose Disconnect Cuff
- 21 Stretch Hose
- 22 Handle Release Pedal
- 23 Thermal Reset Button
- 24 Belt Protection Breaker Reset Button

ASSEMBLING THE VACUUM

Attaching the Handle to the Vacuum

NOTE: Do not plug in the vacuum until it is completely assembled.

The vacuum cleaner and the handle are packed separately and require assembly.

- Remove the handle screw located on the back of the vacuum (Fig. 1). Insert the handle downward into the body of the vacuum. Insert screw and tighten.
- Thread the cord through the two cord guides on the back of the vacuum (Fig. 2).
- Secure the cord under the cord guide above upper cord hook (Fig. 3).
- Open the bag compartment cover by pressing the bag compartment button on the back of the vacuum to ensure a vacuum bag is in place.

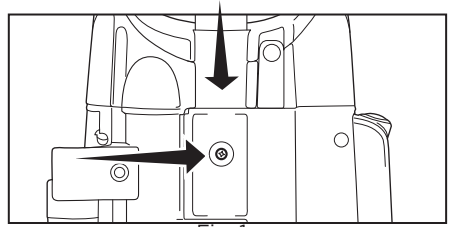


Fig. 1

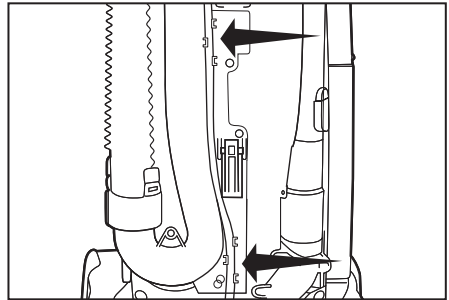


Fig. 2

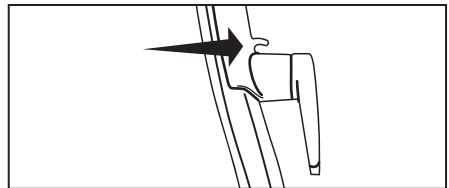


Fig. 3

Unwinding the Power Cord

- The Quick Release Upper Cord Hook rotates to allow for quick access to the power cord. Turn the upper cord hook downward and you can quickly drop the power cord to the floor without unwinding it from the cord hooks (Fig. 4).
- Your vacuum is now ready for use.

Storing the Vacuum

- When storing the vacuum cleaner, turn the Quick Release Upper Cord Hook to the upright position and wrap the power cord around the upper cord storage hook (Fig. 4) and the spring-activated lower cord hook (Fig. 5). Fasten the plug to the wrapped cord using the channel on the plug.

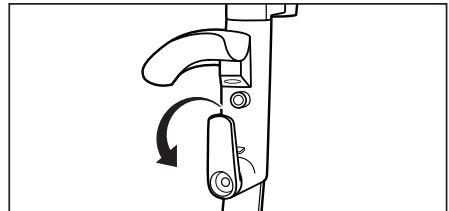


Fig. 4

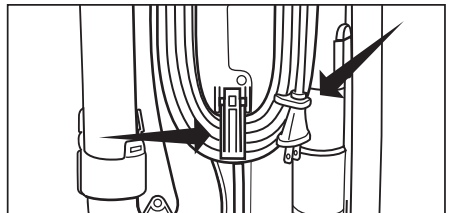


Fig. 5

Reclining the Handle

Press the Handle Release Pedal with your foot to recline the handle (Fig. 1).

Vacuuming Carpet

For carpet cleaning, recline the handle and push the On/Off Switch to the Carpet position (Fig. 1).

Vacuuming Rugs and Bare Floors

Recline the handle and push the On/Off switch to the Floors position (Fig. 2).

Brushroll Auto Shut-Off Feature

When the vacuum is turned on in carpet mode and in the upright position, the brushroll will stop spinning to reduce the possibility of damaging flooring surfaces. The brushroll will spin when the handle is reclined.

Always turn the vacuum cleaner off before unplugging it from the electrical outlet.

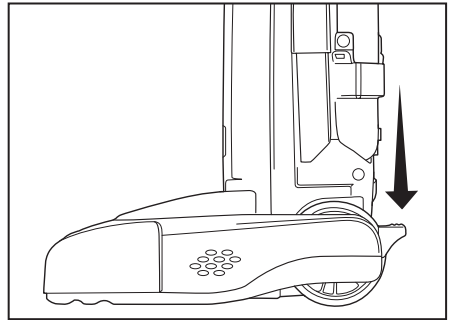


Fig. 1

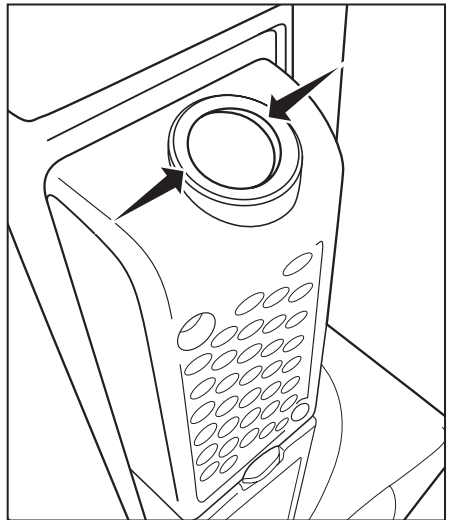


Fig. 2

OPERATION

Vacuumping Under Furniture

Your vacuum will lie flat on the floor for effective cleaning under beds and tables.

- Press the Handle Release Pedal once for normal vacuuming (Fig. 1).
- Press the Handle Release Pedal a second time to enable the vacuum to lie flat on the floor (Fig. 2).

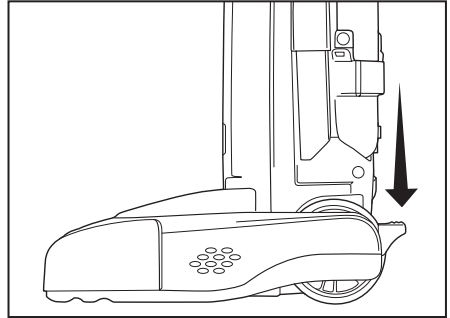


Fig. 1

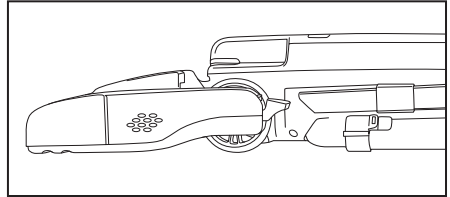


Fig. 2

Carrying the Vacuum

To safely transport your vacuum, especially when carrying the vacuum up and down stairs, use the Carrying Handle located at the top of the bag compartment (Fig. 3).

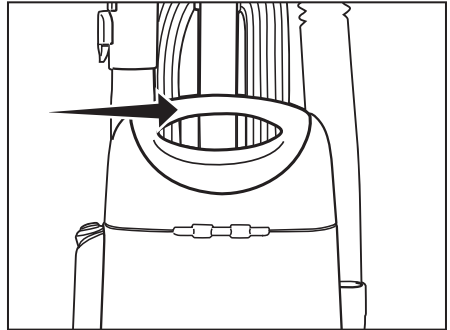


Fig. 3

ATTACHMENT CLEANING

Telescopic Wand Cleaning

Your vacuum is a comprehensive cleaning system equipped with a dusting brush/upholstery tool, crevice tool, telescopic wand and a stretch hose.

The vacuum must be in the upright position for attachment cleaning (Fig. 1).

- Remove the Telescopic Wand from the body of the vacuum by pulling it up and out of the holder.
- Extend the wand by sliding the Wand Extension Button forward while extending the wand to desired length (Fig. 2).
- Attach any of the tools to the end of the Telescopic Wand.
- When finished with wand cleaning, insert the wand back into the vacuum and secure it by pushing the wand into the holder.

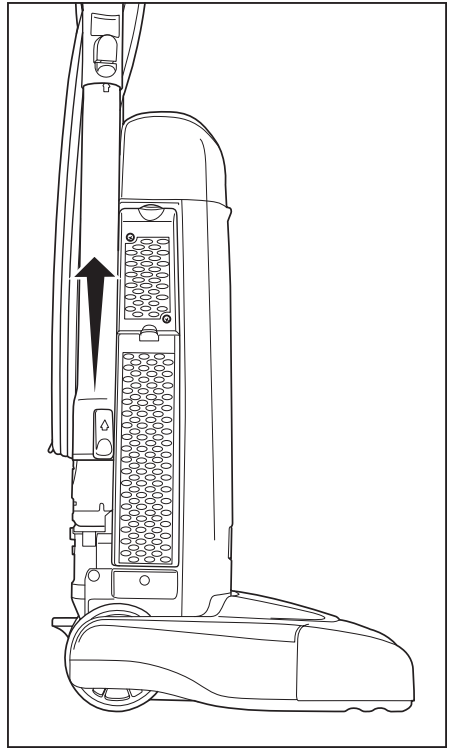


Fig. 1

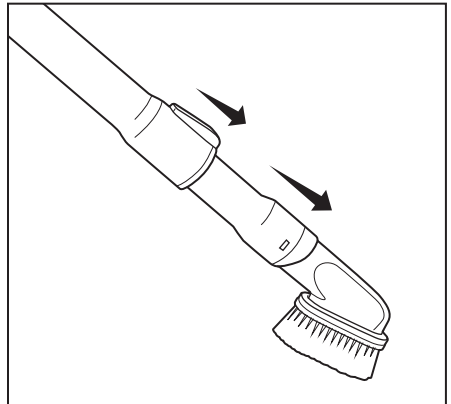


Fig. 2

ATTACHMENT CLEANING

Cleaning Tools

Your vacuum is equipped with a dusting brush/upholstery tool and crevice tool.

- Remove the telescopic wand from the vacuum.
- Insert any of the tools onto the end of the wand.

Dusting Brush

Ideal for table tops, shelves, blinds or hard surface floors (Fig. 1).

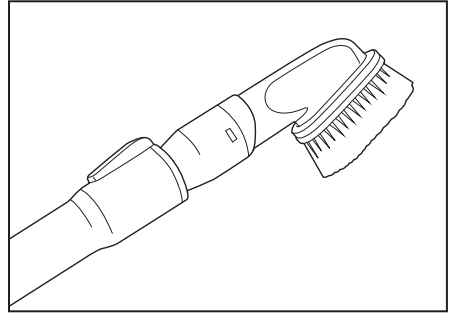


Fig. 1

Upholstery Tool

Ideal for soft surfaces and furniture. Remove the dusting brush clip for upholstery cleaning (Fig. 2).

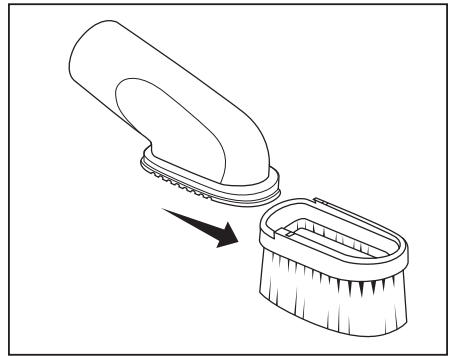


Fig. 2

Crevice Tool

Ideal for tight places like between seat cushions or corners (Fig. 3).

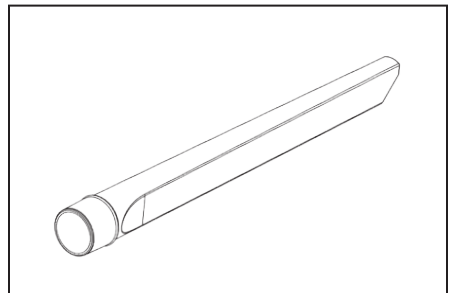


Fig. 3

ATTACHMENT CLEANING

Cleaning Tools

The cleaning tools can also be attached to the curved handle for tasks where the wand is not needed.

- Disconnect the wand from the curved handle by pressing the Wand Release Button (Fig. 1).
- Attach any of the cleaning tools directly to the curved handle (Fig. 2).

Adjusting the Suction Power for Tool Cleaning and Plush Carpet

Full suction power may be too strong for some cleaning situations. For example, reduced suction power would be appropriate for cleaning sheer curtains or plush, thick carpet.

- Locate the Suction Relief Valve on the hose handle and slide it back (Fig. 3). This reduces the suction power coming through the tool. Slide the valve forward when finished to restore full suction power.

Disconnecting the Hose

The hose can be disconnected from the vacuum by pressing the two buttons on the sides of the Hose Disconnect Cuff located low on the back of the vacuum (Fig. 4). This provides a method for removing debris from the hose.

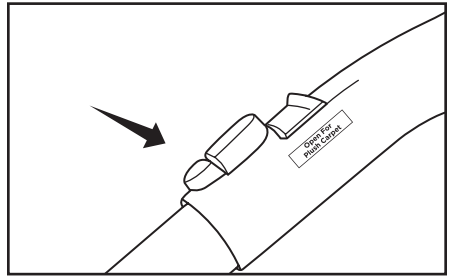


Fig. 1

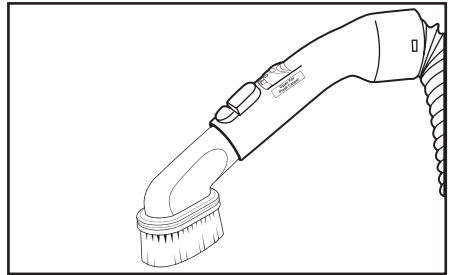


Fig. 2

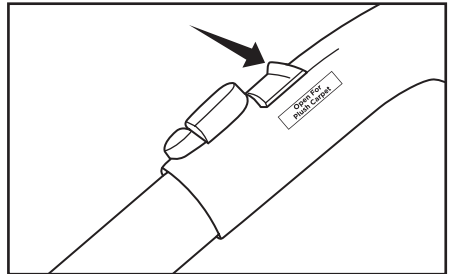


Fig. 3

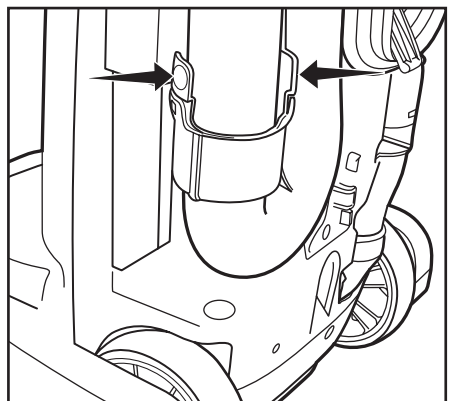


Fig. 4

MAINTENANCE AND CARE

When to Replace the Vacuum Bag (Full Bag Indicator)

The Full Bag Indicator is designed to show when the bag is full or when there is a clog in the vacuum (Fig. 1).

The indicator can turn red when vacuuming fine powders such as flour or drywall dust before the bag is actually full. These materials can quickly block the bag pores, significantly reducing airflow. The vacuum bag should still be changed.

The indicator may also turn red during attachment cleaning. If so, the vacuum bag does not need to be changed.

NOTE: The vacuum bags are disposable and intended to only be used once. Do not attempt to reuse the bag, as suction and filtration performance will be greatly reduced.

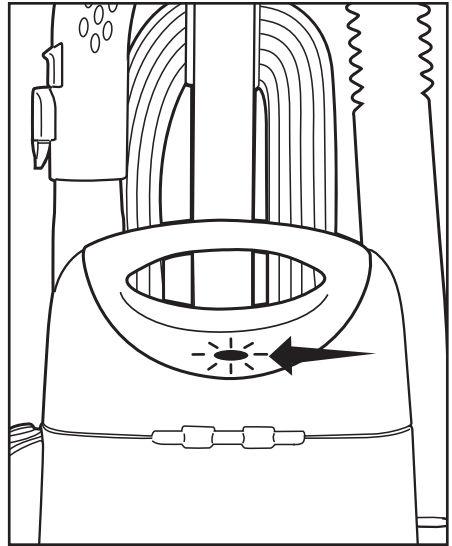


Fig. 1

NOTE: Unplug the vacuum cleaner from the electrical outlet before changing the bag.

Replacing the Vacuum Bag

- To access the vacuum bag press the bag compartment button on back of vacuum (Fig. 1).
- Open the bag compartment lid (Fig. 2).
- Remove the used vacuum bag by lifting up on the collar ring and pulling straight up (Fig. 3). Discard the used bag.
- To install a new bag, drop the bag into the bag compartment, ensuring the bag collar is aligned in the top of the compartment (Fig. 4).
- Replace the cover and press the lid release button to secure it into place (Fig. 5).

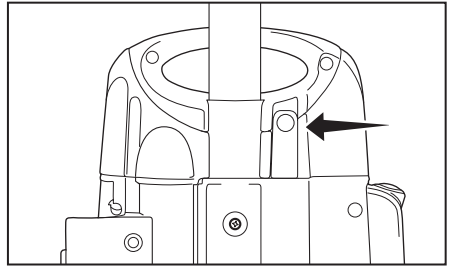


Fig. 1

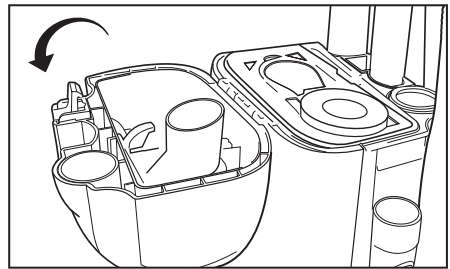


Fig. 2

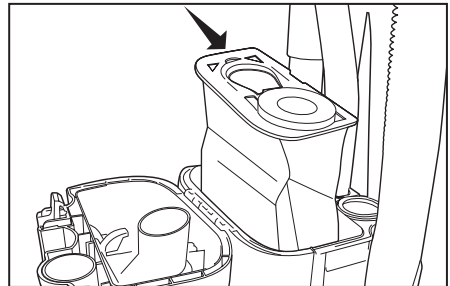


Fig. 3

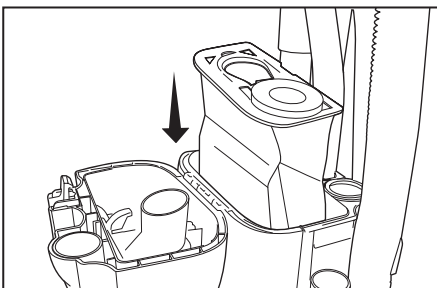


Fig. 4

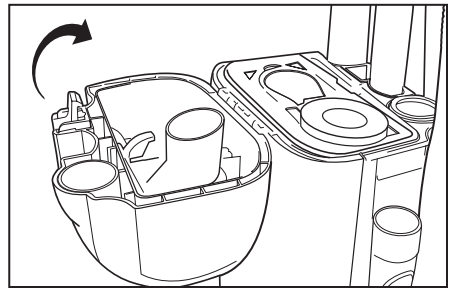


Fig. 5

NOTE: Unplug the vacuum cleaner from the electrical outlet before changing the bag.

MAINTENANCE AND CARE

Replacing the Post Filter

- The post filter is located on the side of the vacuum (Fig. 1).
- Push down on the tab on the top to remove the used filter and discard it (Fig. 2).
- To insert a new filter, position the tabs on the bottom of the filter cartridge into the vacuum. Then snap it into place.

Replacing the Secondary Filter

- Pull the filter holder compartment on the front of the vacuum straight out (Fig. 3).
- Remove and throw away the used filter.
- Insert a new filter under the tabs in the holder (Fig. 4). Then align the filter holder into the vacuum and slide it into place.

NOTE: Filters cannot be washed and reused.

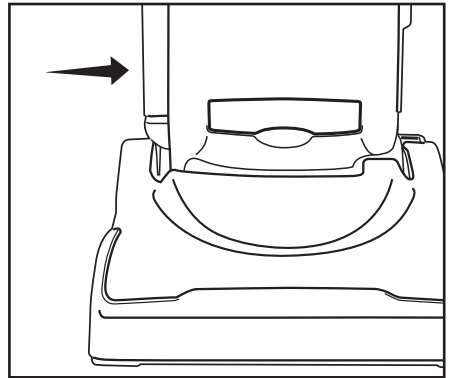


Fig. 1

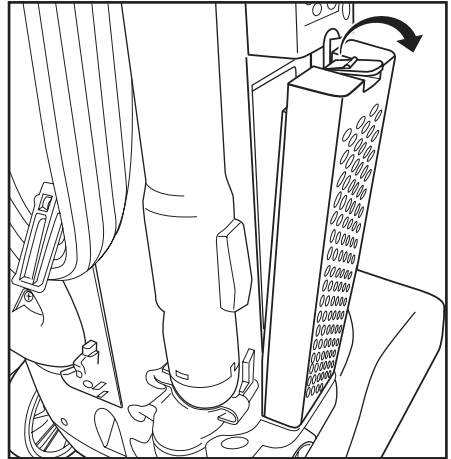


Fig. 2

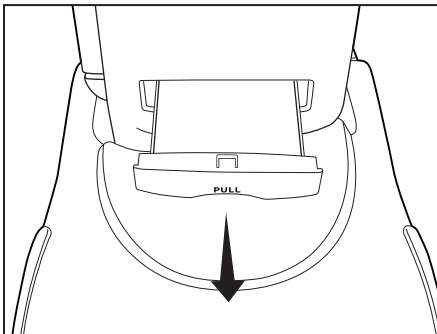


Fig. 3

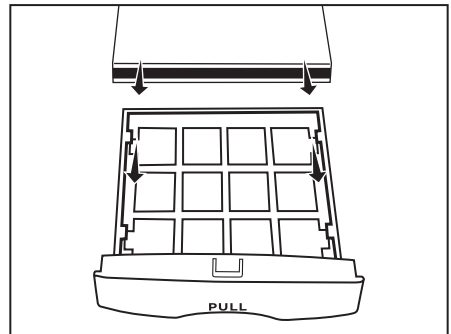


Fig. 4

CAUTION! To Reduce the Risk of Injury From Moving Parts, Unplug Before Servicing.

Belt Protection Breaker Reset

If the Belt Protection System shuts off your vacuum, follow these steps:

- Unplug the vacuum.
- Recline the vacuum to the flat position.
- Locate the Breaker Reset Button under the top of the nozzle (Fig. 1).
- Press the Reset Button and resume vacuuming.

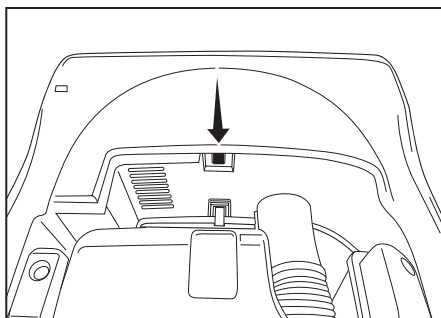


Fig. 1

Thermal Motor Protection

Your vacuum is equipped with a safeguard to recognize when the vacuum might overheat and shuts itself off. When this happens the headlights are still on but the motors shut off. Common reasons why a vacuum may overheat include operating with a full bag or when there is a clog in the vacuum.

If the Thermal Motor Protection System shuts off your vacuum, follow these steps:

- Unplug the vacuum.
- Inspect the vacuum for a full bag condition or a hose clog and correct the problem.
- Locate the Thermal Motor Protection Reset Button on the back of the vacuum (Fig. 2). Press the button and resume vacuuming.

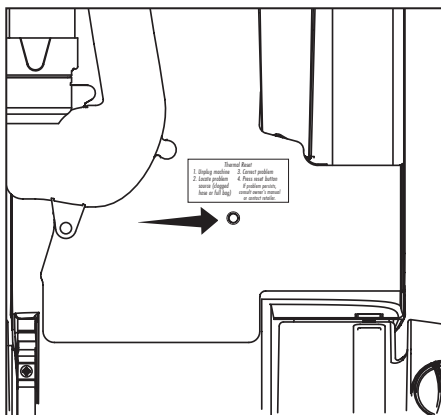


Fig. 2

Thermal Reset			
1. Unplug machine	3. Correct problem		
2. Locate problem source (clogged hose or full bag)	4. Press reset button		
If problem persists, consult owner's manual or contact retailer.			

If problem continues, contact an Authorized Vacuum Retailer.

MAINTENANCE AND CARE

Lifetime Belt

Your vacuum belt is covered with a lifetime belt warranty. Should the vacuum belt break, simply bring your vacuum to an Authorized Simplicity Retailer for a free replacement or contact customer service at <https://www.simplicityvac.com/warranty-information>. To find an Authorized Simplicity Retailer, please visit <http://www.simplicityvac.com/where-to-buy>.

Annual Checkup

To keep your vacuum in peak operating condition, it is recommended you bring your vacuum to an Authorized Simplicity Retailer for an annual checkup. The Retailer will conduct a comprehensive examination to ensure your vacuum is in top operating condition.

Power Cord Care

- If the cord or plug has any apparent damage, refrain from using the vacuum. Please visit an Authorized Simplicity Retailer for a new cord or plug.
- When the vacuum is in use, hold the cord to keep from running over it.
- Avoid obstructions and do not pull the cord around sharp edges or corners.
- Always keep the cord away from heated surfaces and never close doors on it as this may cause damage to the wiring.
- To unplug, always grasp the plug, not the cord.

PROBLEM SOLVING GUIDE

Troubleshooting

WARNING! To reduce the risk of electrical shock or injury from moving parts, unplug the vacuum before servicing or cleaning the vacuum.

CAUTION! To Reduce the Risk of Electric Shock, Do Not Handle Plug or Appliance with Wet Hands.

PROBLEM	CHECK POINT	POSSIBLE SOLUTION
Vacuum won't turn on.	Power Cord	Plug unit in firmly.
	House Fuse or Breaker	Check house fuse or breaker. Replace fuse/reset breaker.
	Vacuum Bag or Hose	Replace bag or remove obstacle.
	Thermal Motor Protection Reset Button	Press reset button.
	Needs Service	Take to an Authorized Vacuum Retailer.
Vacuum won't pick up or low suction.	Carpet Button	Press "Carpet" button on – it will illuminate when it's on.
	Vacuum Bag	Replace full bag.
	Filter	Replace clogged filter.
	Hose	Remove obstacle.
	Belt	Take to an Authorized Vacuum Retailer.
Dust escaping from vacuum	Bag Compartment Lid	Secure latch on bag compartment lid.
	Filter	Review filter installation (pages 14).

How to Contact an Authorized Vacuum Retailer

Any other service should be performed by an Authorized Simplicity Vacuum Retailer.

To locate your nearest Authorized Simplicity Retailer, visit our website at SimplicityVac.com or call 888-974-6759.

Key Replacement Parts

- Genuine Charcoal-Infused HEPA Vacuum Bags: **S26HC-6**
- Genuine Pleated HEPA and Granulated Charcoal Filter Set: **SF26**

For Best Performance

- Keep your vacuum clean and in good operating condition.
- Change the vacuum bag once a month or when the full bag light is illuminated to maximize cleaning performance.
- Always use genuine vacuum bags and replacement parts. Use of other products may result in poor cleaning performance, potential vacuum cleaner damage and may void vacuum warranty. Genuine products are designed for maximum cleaning performance.
- Have your vacuum checked annually by an Authorized Simplicity Retailer.
- Store your vacuum carefully in a dry area.
- For optimum cleaning performance and safety, follow your owner's manual instructions.

WARRANTY

What is Covered:

This warranty covers any defects in material and workmanship in your new vacuum and applies exclusively to the original purchaser.

How Long Coverage Lasts:

Visit Simplicityvac.com for warranty information.

What is Not Covered:

- Damage to the vacuum which occurs from neglect, abuse, alterations, accident, misuse or improper maintenance.
- Normal replacement items: disposable filters, belts and filters.

What Simplicity Will Do:

This warranty provides, at no cost to you, all labor and parts to keep this vacuum in correct operating condition during the warranted period.

How to Get Service:

Warranty service can only be obtained by presenting the vacuum to an Authorized Simplicity Service Center. A proof-of-purchase and product serial number will be required before service is rendered. To locate your nearest Simplicity Service Center, please call 888-974-6759 or visit www.SimplicityVac.com.

THIS WARRANTY IS EXCLUSIVE AND IN LIEU OF ANY AND ALL OTHER WARRANTIES WHETHER WRITTEN, ORAL, EXPRESSED OR IMPLIED, (INCLUDING ANY WARRANTY OF MERCHANTABILITY OR FITNESS FOR A PARTICULAR PURPOSE). THIS WARRANTY DISCLAIMS LIABILITY FOR INCIDENTAL OR CONSEQUENTIAL DAMAGES.

How State Law Applies:

This warranty gives you specific legal rights, and you may also have other rights which vary from state to state.

Owner's Warranty Information (keep this for your records)

Store name _____

Store Address _____ City _____ State _____ Zip _____

Telephone _____ Date of purchase _____

Serial number _____ Model number _____

Register your warranty online at SimplicityVac.com



Simplicityvac.com/register-warranty

For complete warranty information visit
Simplicityvac.com/warranty-information



We want to hear from you!

Please let us know what you think of your new vacuum by leaving a product review on Simplicityvac.com.

Simplicity[®]
VACUUMS