

KICHLER®

52"/60" RIDLEY™ II LED



Product images may vary slightly from actual product.

READ AND SAVE THESE INSTRUCTIONS

INSTRUCTION MANUAL
Model # 300027(52")
300075(60")

300027(52")

Net Weight: 6.5kgs (14.33 lbs)

Gross Weight: 7.8kgs (17.20 lbs)

300075(60")

Net Weight: 7.1 kgs(15.65lbs)

Gross Weight: 8.2 kgs (18.08lbs)

TABLE OF CONTENTS

SAFETY RULES.....	4	INSTALLING THE LED LIGHT KIT AND GLASS SHADE.....	16
TOOLS REQUIRED.....	6	INSTALLING THE BATTERIES.....	17
PACKAGE CONTENTS.....	6	OPERATING INSTRUCTIONS.....	17
MOUNTING OPTIONS.....	7	INSTALLING THE BASIC FUNCTION WALL CONTROL TRANSMITTER AND WALL PLATE.....	18
HANGING THE FAN.....	8	OPERATION INSTRUCTIONS.....	19
INSTALLATION OF SAFETY SUPPORT.....	11	TROUBLESHOOTING.....	20
ELECTRICAL CONNECTIONS.....	12	FCC INFORMATION.....	21
FINISHING THE INSTALLATION.....	14		
ATTACHING THE FAN BLADES.....	15		
INSTALLING THE LIGHT PLATE.....	15		



SAFETY RULES

1. **CAUTION – RISK OF SHOCK – Disconnect Power at the main circuit breaker panel or main fusebox before starting and during the installation.**
2. **WARNING: All wiring must be in accordance with the National Electrical Code “ANSI/NFPA 70” and local electrical codes. Electrical installation should be performed by a qualified licensed electrician.**
3. **WARNING: To reduce the risk of electric shock, this fan must be installed with a general-use, isolating wall control/switch.**
4. **WARNING: Not suitable for use with solid-state speed controls.**
5. **WARNING: To reduce the risk of fire, electric shock, or personal injury, mount to outlet box marked “acceptable for fan support of 15.9 kg (35 lbs.) or less” and use mounting screws provided with the outlet box. Most outlet boxes commonly used for the support of light fixtures are not acceptable for fan support and may need to be replaced. Due to the complexity of the installation of this fan, a qualified licensed electrician is strongly recommended.**
6. **The outlet box and support structure must be securely mounted and capable of reliably supporting a minimum of 15.9 kg (35 pounds). Use only cULus Listed outlet boxes marked “Acceptable for Fan Support of 15.9 kg (35 lbs) or less”.**
7. **The fan must be mounted with a minimum of 2.1 m (7 feet) clearance from the trailing edge of the blades to the floor.**
8. **WARNING: Do not operate reversing switch while fan blades are in motion. Fan must be turned off and blades stopped before reversing blade direction.**
9. **Avoid placing objects in the path of the blades.**
10. **WARNING: make sure the power is disconnected before cleaning your fan.**
11. **To avoid personal injury or damage to the fan and other items, be cautious when working around or cleaning the fan.**
12. **Do not use water or detergents when cleaning the fan or fan blades. A dry dust cloth or lightly dampened cloth will be suitable for most cleaning.**
13. **After making electrical connections, spliced conductors should be turned upward and pushed carefully up into outlet box. The wires should be spread apart with the grounded conductor and the equipment-grounding conductor on one side of the outlet box and the ungrounded conductor on the other side of the outlet box.**
14. **Electrical diagrams are reference only. Light kits that are not packed with the fan must be cULus Listed and marked suitable for use with the model fan you are installing. Switches must be cULus General Use Switches. Refer to the Instructions packaged with the light kits and switches for proper assembly.**

SAFETY RULES (continued)

15. All set screws must be checked, and retightened where necessary, before installation.

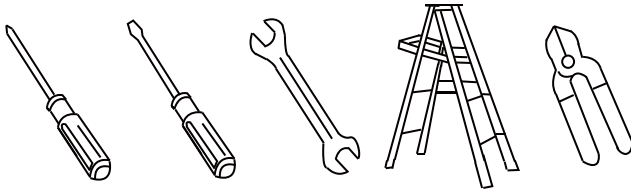
WARNING: TO REDUCE THE RISK OF PERSONAL INJURY, DO NOT BEND THE BLADE BRACKETS (ALSO REFERRED TO AS FLANGES) DURING ASSEMBLY OR AFTER INSTALLATION. DO NOT INSERT OBJECTS IN THE PATH OF THE BLADES.

**300027(52") : N.W. 6.5 KGS (14.33 LBS)
G.W. 7.8 KGS (17.20 LBS)**

**300075(60") : N.W. 7.1 KGS (15.65 LBS)
G.W. 8.2 KGS (18.08 LBS)**

TOOLS REQUIRED

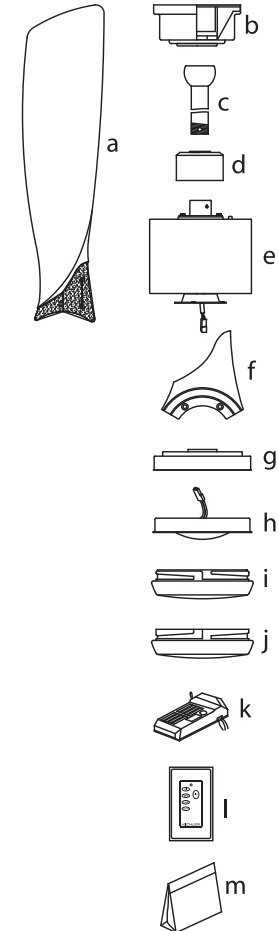
Philips screw driver
 Blade screw driver
 11 mm wrench
 Step ladder
 Wire cutters



PACKAGE CONTENTS

Unpack your fan and check the contents. You should have the following items:

- a. Fan blades (3)
- b. Canopy & Ceiling mounting bracket
- c. Ball/downrod assembly
- d. Coupling cover
- e. Fan motor assembly
- f. Set of 3 blade brackets and Pre-Installed mounting screws
- g. Light plate
- h. 17W LED light kit
- i. Glass shade
- j. Decorative bottom cover
- k. Receiver
- l. Wall Transmitter
- m. Part bag contents
 - 1) Mounting hardware: wood screws (2), flat washers (2), star washers (2), wire nuts (3), screws (2)
 - 2) Blade attachment hardware: screws (11), fiber washers (11)
 - 3) Blade bracket attachment hardware: screws (2)
 - 4) Safety cable hardware: wood screw, spring washer, flat washer
 - 5) Balance Kit



MOUNTING OPTIONS

If there isn't an existing UL (cUL for Canadian Installation) listed mounting box, then read the following instructions. Disconnect the power by removing fuses or turning off circuit breakers.

Secure the outlet box directly to the building structure. Use appropriate fasteners and building materials. The outlet box and its support must be able to fully support the full weight of the fan (up to 15.9kg (35 pounds)). Do not use plastic outlet boxes.

Figures 1, 2 and 3 are examples of different ways to mount the outlet box.

NOTE: If you are installing the ceiling fan on a sloped (vaulted) ceiling, you may need a longer downrod to maintain proper clearance between the tip of the blade and the ceiling. A minimum clearance of 12" is suggested for optimal operation.

NOTE: Depending on the location you have selected for installation, you may need to purchase and install a "Joist Hanger" for the support of the outlet box. Make sure the joist hanger you purchase has been designed for use with ceiling fans. (Fig. 4)

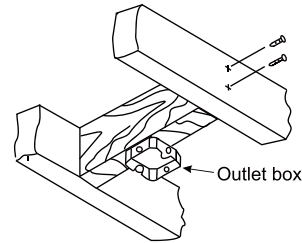


Fig. 1

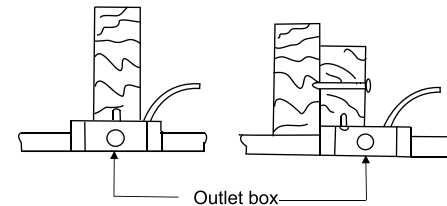


Fig. 2

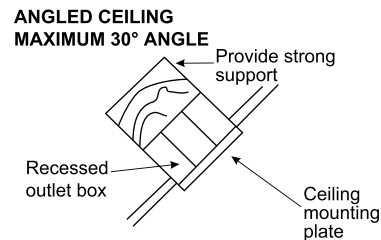


Fig. 3

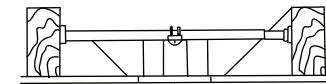


Fig. 4

HANGING THE FAN

REMEMBER to turn off the power before you begin.

To properly install your ceiling fan, follow the steps below.

Step 1. Remove the decorative canopy bottom cover from the canopy by turning the cover counter clockwise. (**Fig. 5**)

Step 2. Remove the ceiling mounting bracket from the canopy by removing (and save one of the two screws). Loosen the remaining screw by a half turn. (**Fig. 5**)

Step 3. Pass the 120 volt supply wires from the ceiling outlet box through the center of the ceiling mounting bracket. (**Fig. 6**)

Step 4. Attach the ceiling mounting bracket to the outlet box using the screws and washers included with the outlet box. (**Fig.6**)

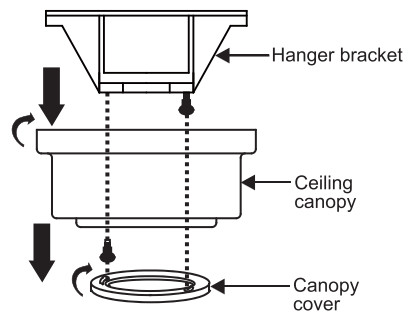


Fig. 5

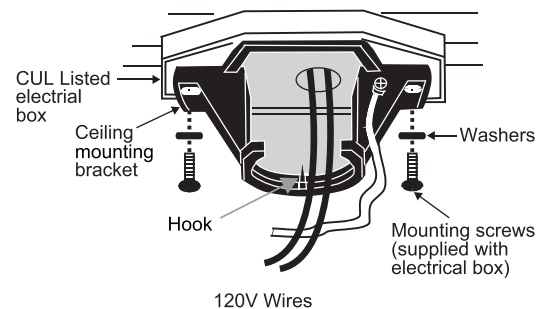


Fig. 6

HANGING THE FAN (continued)

Step 5. Remove the hanger ball from the downrod assembly by loosening the set screw, unscrewing and removing the cross pin and unscrewing the ball off the rod. (**Fig. 7**)

Step 6. Loosen the two set screws and remove the hitch pin and retaining clip from the coupling on top of the motor assembly. (**Fig. 8**)

Step 7. Carefully feed the electrical lead wires from the fan up through the downrod. Thread the downrod into the coupling until the hitch pin holes are aligned.

Next, replace the hitch pin and retaining clip. Tighten both set screws. (**Fig. 8**)

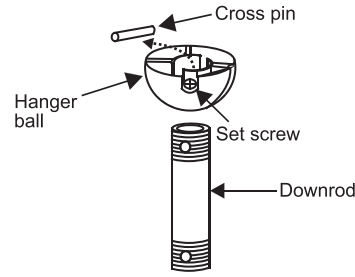


Fig. 7

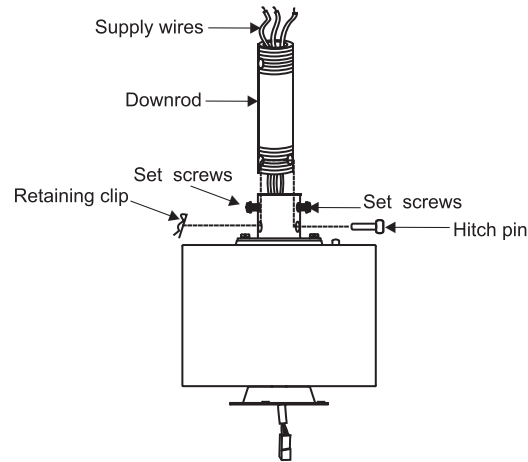


Fig. 8

HANGING THE FAN (continued)

Step 8. Slip the coupling cover, canopy cover and canopy onto the downrod. (Fig. 9)

Thread the hanger ball onto the downrod, insert the cross pin through the downrod and tighten. Now tighten the set screw. (Fig. 9)

Step 9. Lift the motor assembly into position and place the hanger ball into the ceiling mounting bracket.

Rotate the entire assembly until the "Check Tab" has dropped into the "Registration Slot" and seats firmly. (Fig. 10)

The entire motor assembly should not rotate (left or right) when seated properly.

WARNING: Failure to reattach the cross pin and seat the "Check Tab" can cause the fan to fall from the ceiling during operation. Take special care to make sure this pin is reattached.

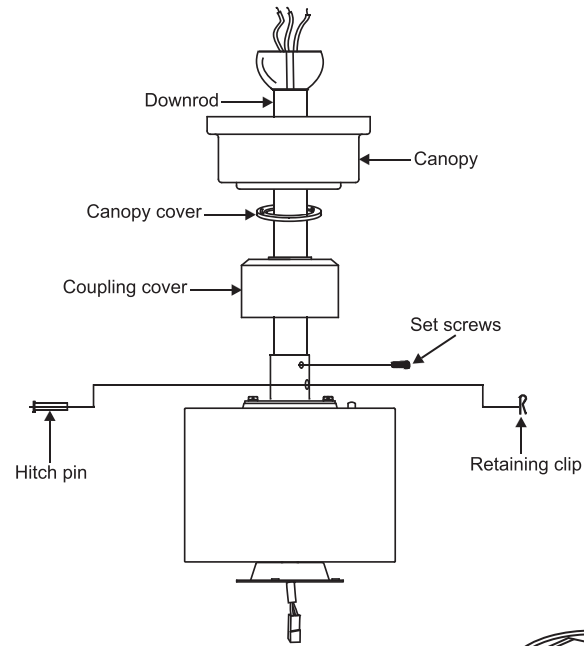


Fig. 9

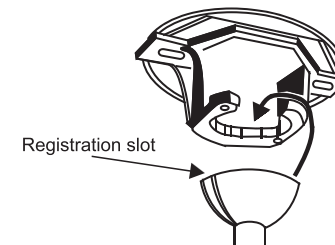


Fig. 10

INSTALLATION OF SAFETY SUPPORT

(required for Canadian installation ONLY)

A safety support cable is provided to help prevent the ceiling fan from falling. **Please install it as follows:**

Step 1. Attach the provided wood screw and washers to the ceiling joist next to the mounting bracket but do not tighten. (**Fig. 11**)

Step 2. Adjust the length of the safety cable to reach the screw and washers by pulling the extra cable through the cable clamp until the overall length is correct, put the end of the cable back through the cable clamp, forming a loop at the end of the cable. Tighten the cable clamp securely. Now, put the loop in the end of the safety cable over the wood screw and under the washer. Tighten the wood screw securely.

NOTE: Although the safety support cable is required for Canadian installations only, it's a good idea to make the attachment with any installation.

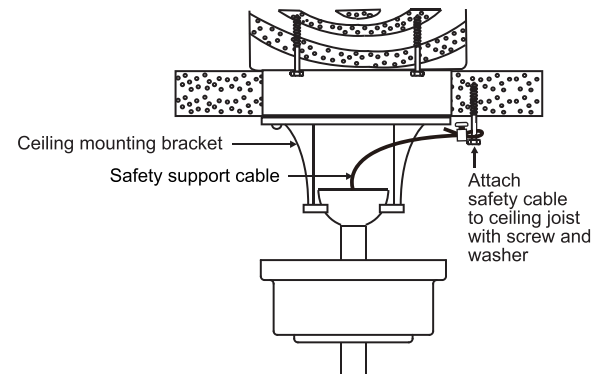


Fig. 11

ELECTRICAL CONNECTIONS

WARNING: To avoid possible electrical shock, be sure you have turned off the power at the main circuit panel.

Follow the steps below to connect the fan to your household wiring. Use the wire connecting nuts supplied with your fan. Secure the connectors with electrical tape. Make sure there are no loose wire strands or connections.

NOTE: The Control System is equipped with 16 possible frequency combinations to prevent interference from or with other remote control units. The frequency switches on your receiver and transmitter have been preset at the factory. Please recheck to make sure the switches on transmitter and receiver are set to the same position, any combination of settings will operate the fan as long as the transmitter and receiver are set to the same position. **(Fig. 12)**

Step 1. Insert the receiver into the ceiling mounting bracket with the flat side of the receiver facing the ceiling. **(Fig. 13)** For best performance, make sure the Black Antenna, on the end of the receiver, remains extended and not tangled with any of the electrical wires.

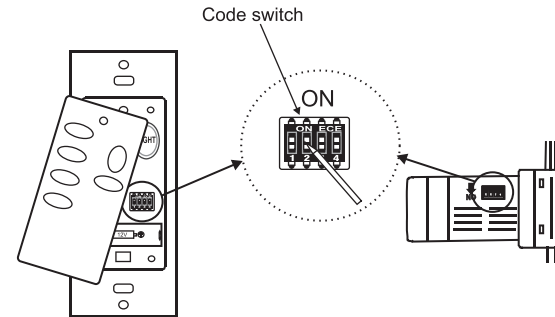


Fig. 12

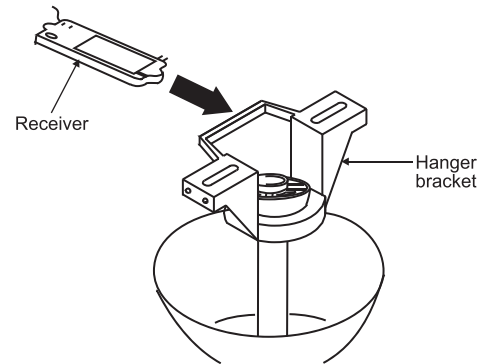


Fig. 13

ELECTRICAL CONNECTIONS (continued)

Step 2. Motor to Receiver Electrical Connections: (**Fig. 14**) Connect the black wire from the fan to the black wire marked "TO MOTOR L" on the receiver. Connect the white wire from the fan to the white wire marked "TO MOTOR N" on the receiver. Connect the blue wire from the fan to the blue wire marked "FOR LIGHT" on the receiver. Secure all the wire connections with the plastic wire nuts provided.

Step 3. (**Fig. 14**) Receiver to House Supply Wires Electrical Connections: Connect the black (hot) wire from the ceiling to the black wire marked "AC in L" from the receiver. Connect the white (neutral) wire from the ceiling to the white wire marked "AC in N" from the Receiver. Secure the wire connections with the plastic wire nuts provided.

Step 4. (**Fig. 14**) If your outlet box has a ground wire (green or bare copper) connect it to the fan ground wires; otherwise connect the hanging bracket ground wire to the mounting bracket. Secure the wire connection with a plastic nut provided. After connecting the wires, spread them apart so that the green and white wires are on one side of the outlet box and black and blue wires are on the other side. Carefully tuck the wire connections up into the outlet box.

Note: Fan must be installed at a maximum distance of 30 feet from the CoolTouch™ Remote Transmitter for optimal signal transmission between the transmitter and the fan's receiving unit.

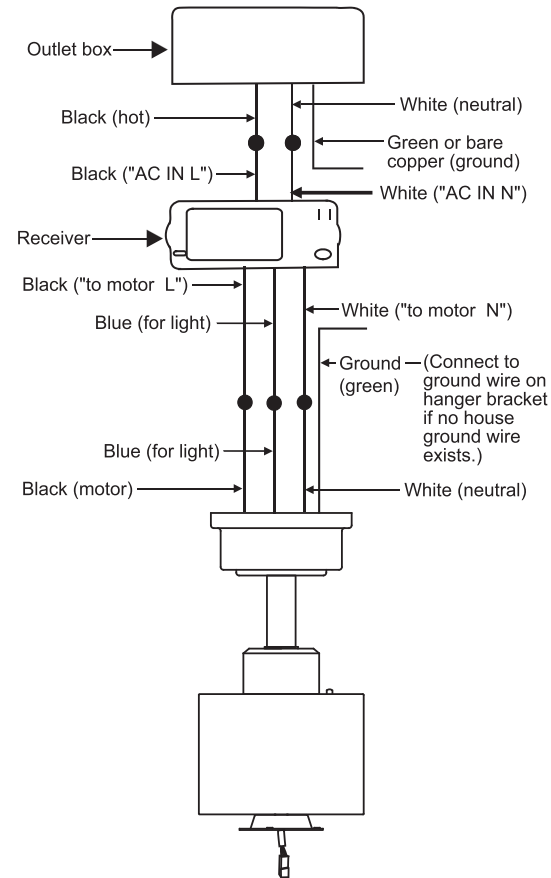


Fig. 14

FINISHING THE INSTALLATION

Step 1. Tuck all the connections neatly into the ceiling outlet box.

Step 2. Slide the canopy up to the mounting bracket and place one of the key hole slots over the mounting screw on the mounting bracket. Rotate the canopy until the screw head locks in place at the narrow section of the key hole. (**Fig. 15**)

Step 3. Align the remaining circular hole on the canopy with the remaining hole on the Ceiling Mounting Bracket. Insert and tighten the mounting screw you removed earlier and the mounting screw from Step 2 above. Now, attach the canopy cover to the mounting screw heads by inserting the screw heads into the bottom side of the canopy cover and rotating the cover clockwise.

NOTE: Adjust the canopy screws as necessary until the canopy and canopy cover are snug. (**Fig. 15**)

WARNING: Make sure the "Check Tab" at the bottom of the hanger bracket is properly seated in the "Registration Slot" on the side of the hanger ball before attaching the canopy to the bracket.

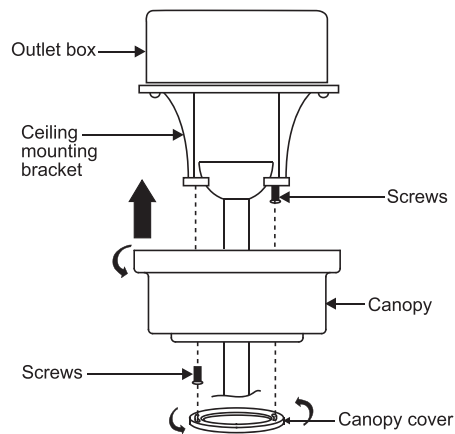


Fig. 15

ATTACHING THE FAN BLADES

CAUTION: To Reduce The Risk Of Electric Shock, Disconnect The Electrical Supply Circuit To The Fan Before Installing Fan Blades.

Step 1. Attach a blade to a blade bracket using the screws and fiber washers provided. (**Fig. 16**)

Make sure the blade is straight when set on the blade bracket. Tighten each mounting screw and then repeat this procedure for each blade.

Step 2. Attach each blade assembly to the motor using the "Pre-Installed" mounting screws in the blade bracket. (**Fig 16**)

INSTALLING THE LIGHT PLATE

Step 1. Loosen the two screws on the mounting ring attached to the motor shaft and "remove" and save the third screw. (**Fig. 17**)

Step 2. Place the key hole slots on the light plate over the two screws previously loosened on the mounting ring.

Turn the light plate until it locks in place at the narrow section of the key hole slots.

Tighten both key hole screws and replace the third screw previously removed and tighten securely.

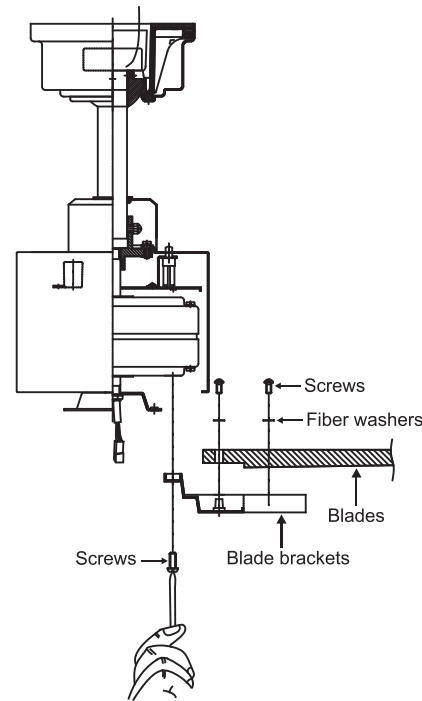


Fig. 16

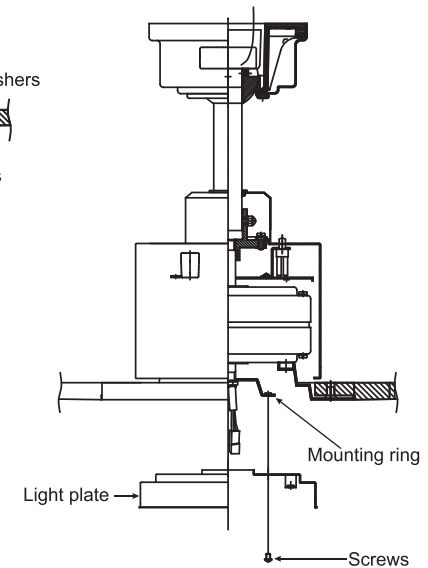


Fig. 17

INSTALLING THE LED LIGHT KIT AND GLASS SHADE

CAUTION: To Reduce The Risk Of Electric Shock, Disconnect The Electrical Supply Circuit To The Fan Before Installing Light Kit.

Step 1. Loosen the three mounting screws on the inside of the LED light kit. (Fig.18)

Step 2. While holding the LED light kit under the fan motor, make the wire connections: (Fig. 18)

- Red to white
- Black to black

NOTE: If you do not plan to install the LED light kit with your fan at this time, don't make the wire connections. Raise the decorative bottom cover against the LED light kit and turn clockwise until snug, DO NOT OVERTIGHTEN. (Fig. 19)

Step 3. Tuck the connections neatly into the light plate. Place the key holes on the LED light kit over the 2 screws previously loosened from the light plate, turn the LED light kit until it locks in place at the narrow section of the key holes. Secure by tightening all three screws. (Fig.18)

Step 4. Raise the glass shade against the light kit and turn clockwise until snug, DO NOT OVERTIGHTEN. (Fig. 18)

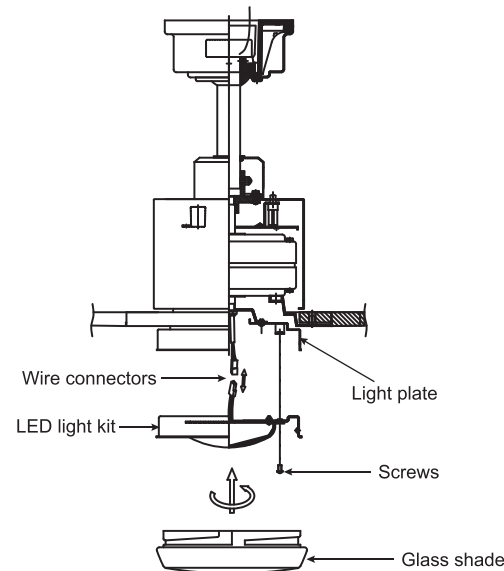


Fig. 18

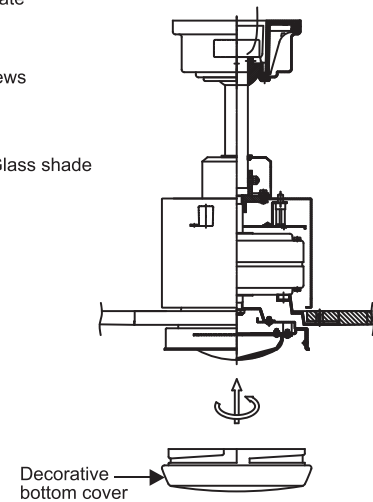


Fig. 19

INSTALLING THE BATTERIES

Remove the face plate of the Wall Switch by lifting at the top and then insert the supplied 12V battery. Duracell MN21/ Eveready A23/GP 23A all 12V (**Fig. 20**).

Replace the switch face plate.

To prevent possible damage to the transmitter, remove these batteries if not used for long periods of time (months).

OPERATING INSTRUCTIONS

- HI Button = High Speed
- MED Button = Medium Speed
- LOW Button = Low Speed
- FAN OFF Button = Motor Off
- Light Button = the "LIGHT" button turns the light ON or OFF and also controls the brightness setting. (**Fig. 21**)

Press and hold either button to set the desired brightness level. The next time you turn the light on, the system will remember this setting.

Press and release either button to turn the light ON or OFF.

This control system is NOT designed to "Reverse" the rotation of the blades. To set the fan blades in reverse, the reverse slide switch is located on the top of the motor housing (**Fig. 22**).

WARNING: Do not operate reversing switch while fan blades are in motion. Fan must be turned off and blades stopped before reversing blade direction.

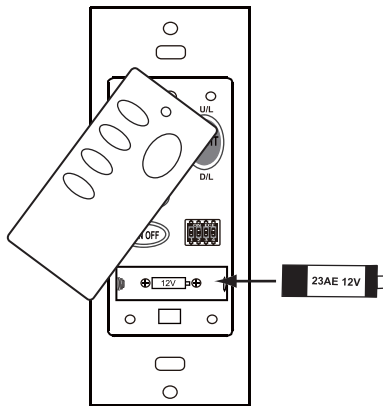


Fig. 20

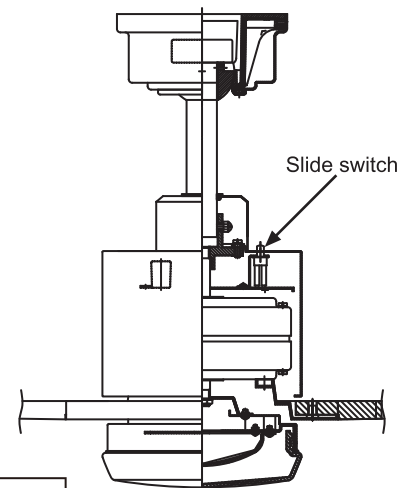


Fig. 22

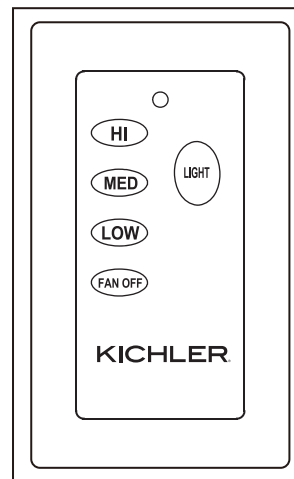


Fig. 21

INSTALLING THE BASIC FUNCTION WALL CONTROL TRANSMITTER AND WALL PLATE

Select a location to install the Basic Function Wall Control Transmitter and Wall Plate.

The wall control transmitter can be installed to an existing wall outlet box.

CAUTION: Make sure the electrical power is TURNED OFF at the main panel before continuing.

Step 1. Remove the existing wall plate and the old switch from the wall outlet box. Wire nut the BLACK leads (hot) together and push back inside the outlet box. (Fig. 23)

Step 2. Install the wall plate on the existing wall outlet box using the screws provided. (Fig. 24)

After installing the wall anchors, attach the wall plate with the mounting screws to finish the installation.

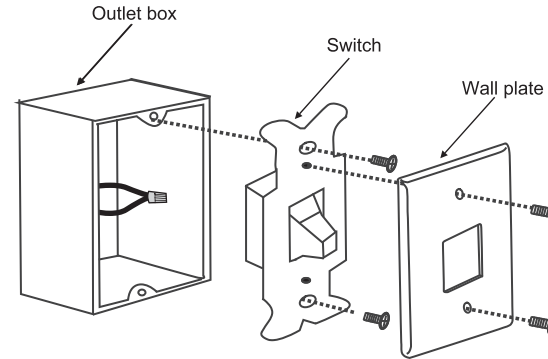


Fig. 23

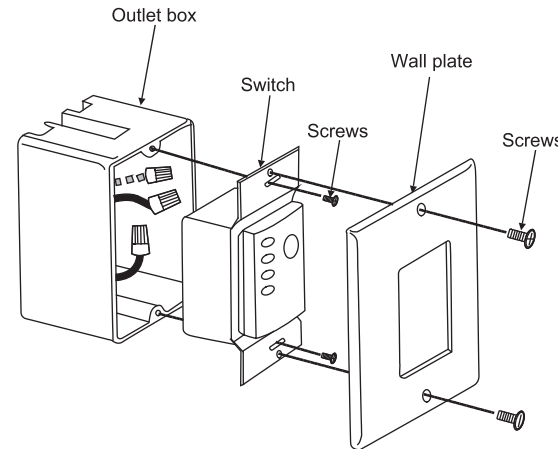


Fig. 24

OPERATING INSTRUCTIONS

NOTE: This control system is NOT designed to "Reverse" the rotation of the blades. To set the fan blades in reverse, the reverse slide switch is located on the top of the motor housing.

WARNING: Do not operate reversing switch while fan blades are in motion. Fan must be turned off and blades stopped before reversing blade direction.

Warm weather - Forward (counter clockwise) A downward airflow creates a cooling effect as shown in **Fig. 25**. This allows you to set your air conditioner on a warmer setting without affecting your comfort.

Cool weather - Reverse (clockwise) An upward airflow moves warm air off of the ceiling as shown in **Fig. 26**. This allows you to set your heating unit on a cooler setting without affecting your comfort.

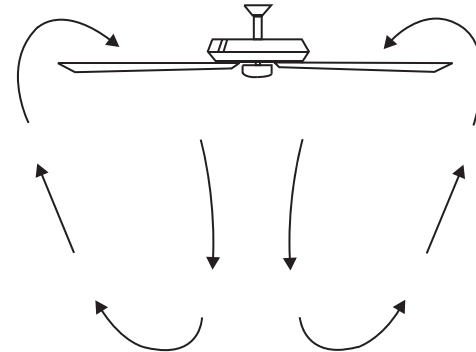


Fig. 25

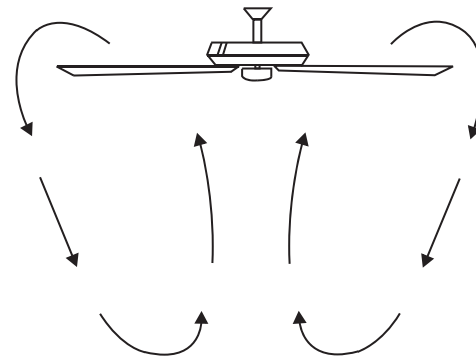


Fig. 26

TROUBLESHOOTING

Problem	Solution
Fan will not start.	<ol style="list-style-type: none">1. Check circuit fuses or breakers.2. Check all electrical connections to ensure proper contact. CAUTION: Make sure the main power is OFF when checking any electrical connection.3. Make sure transmitter batteries are installed properly, and ensure the batteries have a good charge.
Fan sounds noisy.	<ol style="list-style-type: none">1. Make sure all motor housing screws are snug.2. Make sure the screws that attach the fan blade brackets to the motor are tight.3. Make sure wire nut connections are not rubbing against each other or the interior wall of the switch housing. CAUTION: Make sure main power is off.4. Allow a 24-hour "breaking-in" period. Most noise associated with a new fan disappears during this time.5. If using an optional light kit, make sure the screws securing the glassware are tight. Make sure the light bulbs are not touching any other component.6. Do not connect this fan to wall mounted variable speed control(s). they are not compatible with ceiling fan motors or remote controls.7. Make sure the upper canopy is a short distance from the ceiling. It should not touch the ceiling.
Fan wobble.	<ol style="list-style-type: none">1. Check that all blade and blade arm screws are secure.2. Most fan wobbling problems are caused when blade levels are unequal. Check this level by selecting a point on the ceiling above the tip of one of the blades. Measure this distance. Rotate the fan until the next blade is positioned for measurement. Repeat for each blade. The distance deviation should be equal within 1/8".3. Use the enclosed Blade Balancing Kit if the blade wobble is still noticeable.4. If the blade wobble is still noticeable, interchanging two adjacent (side by side) blades can redistribute the weight and possibly result in smoother operation.
Remote control malfunction.	<ol style="list-style-type: none">1. Ceiling Fans with remote control systems CAN NOT be operated in conjunction with any other control system EXCEPT a basic On/Off wall switch, if desired.2. Make sure the frequency dip switches in the transmitter and receiver have identical settings.3. Make sure the Black Antenna on the receiver is NOT tangled with any other electrical wires and is extended around the inside of the ceiling canopy.



FCC Information

This device complies with part 15 of the FCC Rules. Operation is subject to the following two conditions:

- 1) This device may not cause harmful interference, and
- 2) This device must accept any interference received, including interference that may cause undesired operation.

Note: This equipment has been tested and found to comply with the limits for a Class B digital device, pursuant to part 15 of the FCC Rules. These limits are designed to provide reasonable protection against harmful interference in a residential installation. This equipment generates, uses and can radiate radio frequency energy and, if not installed and used in accordance with the instructions, may cause harmful interference to radio communications. However, there is no guarantee that interference will not occur in a particular installation. If this equipment does cause harmful interference to radio or television reception, which can be determined by turning the equipment off and on, the user is encouraged to try to correct the interference by one or more of the following measures:

- Reorient or relocate the receiving antenna.
- Increase the separation between the equipment and receiver.
- Connect the equipment into an outlet on a circuit different from that to which the receiver is connected.
- Consult the dealer or an experienced radio/TV technician for help.

KICHLER®

www.kichler.com

Kichler Lighting LLC

30455 Solon Rd. Solon, OH 44139

CUSTOMER SERVICE 866.558.5706

8:00 AM TO 5:00 PM EST, MONDAY-FRIDAY

REV 14-Jul-2022

KICHLER®

VENTILATEUR À LED RIDLEY™ II 52/60 po



Le produit peut différer légèrement des illustrations.

LIRE ET CONSERVER CES INSTRUCTIONS

MANUEL D'INSTRUCTIONS

Modèle # 300027(52")
300075(60")

300027(52")
Poids Net: 6.5 kgs (14.33 lb)
Poids Brut: 7.8 kgs (17.20 lb)

300075(60")
Poids Net: 7.1 kgs (15.65 lb)
Poids Brut: 8.2 kgs (18.08 lb)

TABLE DES MATIÈRES

LES RÈGLES DE SÉCURITÉ.....	4	INSTALLATION DU KIT D'ÉCLAIRAGE À LED ET CACHE EN VERRE.....	16
OUTILLAGE REQUIS.....	6	INSTALLATION DES PILES.....	17
CONTENU DE L'EMBALLAGE.....	6	INSTRUCTIONS D'UTILISATION.....	17
OPTIONS DE MONTAGE.....	7	INSTALLATION DE L'ÉMETTEUR ET DE LA PLAQUE MURALE DE LA COMMANDE MURALE À FONCTION DE BASE.....	18
SUSPENSION DU VENTILATEUR.....	8	INSTRUCTIONS D'UTILISATION.....	19
INSTALLATION DU SUPPORT DE SÉCURITÉ	11	DÉPANNAGE.....	20
CONNEXIONS ÉLECTRIQUES.....	12	INFORMATIONS FCC.....	21
FIN DE L'INSTALLATION.....	14		
FIXATION DES PALES DU VENTILATEUR.....	15		
INSTALLATION DE LA PLAQUE D'ÉCLAIRAGE.....	15		

LES RÈGLES DE SÉCURITÉ

- 1. ATTENTION - RISQUE DE CHOC**-Débranchez l'alimentation au niveau du panneau de disjoncteur principal ou de la boîte à fusibles principale avant de commencer et pendant l'installation.
- 2. AVERTISSEMENT:** Tout le câblage doit être conforme au National Electrical Code "ANSI/NFPA 70" et aux codes électriques locaux. L'installation électrique doit être effectuée par un électricien agréé et qualifié.
- 3. AVERTISSEMENT :** Pour réduire le risque de choc électrique, ce ventilateur doit être installé avec une commande/ interrupteur mural isolant à usage général.
- 4. AVERTISSEMENT:** Ne pas utiliser avec des contrôles de vitesse à semiconducteur.
- 5. AVERTISSEMENT :** Pour réduire le risque d'incendie, de choc électrique ou de blessure, montez sur la boîte de sortie marquée « acceptable pour un support de ventilateur de 15,9 kg (35 lb) ou moins » et utilisez les vis de montage fournies avec la boîte de sortie. La plupart des boîtes à prises utilisées actuellement pour supporter les luminaires ne peuvent pas supporter un ventilateur et doivent certainement être remplacées. En raison de la complexité de l'installation de ce ventilateur, il est fortement recommandé de confier les travaux à un électricien qualifié et agréé.
- 6.** La boîte à prises et la structure de support doivent être solidement fixées et capables de supporter de manière fiable un minimum de 15,9 kg (35 lb). Utiliser uniquement des boîtes à prises homologuées cULus et marquées « acceptable pour un support de ventilateur de 15,9 kg (35 lb) ou moins » .
- 7.** Le ventilateur doit être installé à une distance de 2,1 m (7 pieds) minimum du bord de fuite des pales par rapport au sol.
- 8. AVERTISSEMENT :** N'actionnez pas l'inverseur lorsque les pales du ventilateur sont en mouvement. Le ventilateur doit être éteint et les pales arrêtées avant d'inverser le sens des pales.
- 9.** Éviter de placer des objets dans la trajectoire des pales.
- 10. AVERTISSEMENT :** assurez-vous que l'alimentation est débranchée avant de nettoyer votre ventilateur.
- 11.** Pour éviter des blessures ou des dommages au ventilateur et autres objets, prendre toutes les précautions nécessaires lors de travaux effectués près du ventilateur ou lors du nettoyage du ventilateur.
- 12.** N'utilisez pas d'eau ou de détergents pour nettoyer le ventilateur ou les pales du ventilateur. Un chiffon à poussière sec ou un chiffon légèrement humide conviendra pour la plupart des nettoyages.
- 13.** Après avoir effectué les connexions électriques, les conducteurs doivent être tournés vers le haut et poussés avec précaution dans la boîte de sortie. Les fils doivent être écartés avec le conducteur mis à la terre et le conducteur de mise à la terre de l'équipement d'un côté de la boîte de sortie et le conducteur non mis à la terre de l'autre côté de la boîte de sortie.
- 14.** Les schémas électriques sont indiqués à titre de référence uniquement. Les kits d'éclairage qui ne sont pas emballés avec le ventilateur doivent être homologués cULus et marqués compatibles pour une utilisation avec le modèle de ventilateur à installer. Les interrupteurs doivent être pour une utilisation d'ordre général homologués cULus. Voir les instructions fournies avec les kits d'éclairage et les interrupteurs pour garantir un assemblage correct.

LES RÈGLES DE SÉCURITÉ (SUITE)

15. Toutes les vis de réglage doivent être vérifiées et resserrées si nécessaire avant l'installation.

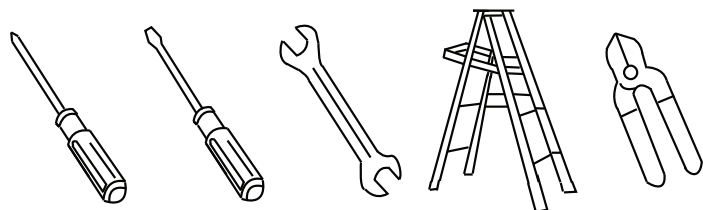
AVERTISSEMENT: POUR RÉDUIRE LE RISQUE DE BLESSURE, NE PAS PLIER LES SUPPORTS DE LAME (ÉGALEMENT APPELÉS BRIDES) PENDANT L'ASSEMBLAGE OU APRÈS L'INSTALLATION. NE PAS INSÉRER D'OBJETS DANS LE CHEMINEMENT DE LA LAME.

300027(52") : Poids Net: 6.5 kgs (14.33 lb)
Poids Brut: 7.8 kgs (17.20 lb)

300075(60") : Poids Net: 7.1 kgs (15.65 lb)
Poids Brut: 8.2 kgs (18.08 lb)

OUTILLAGE REQUIS

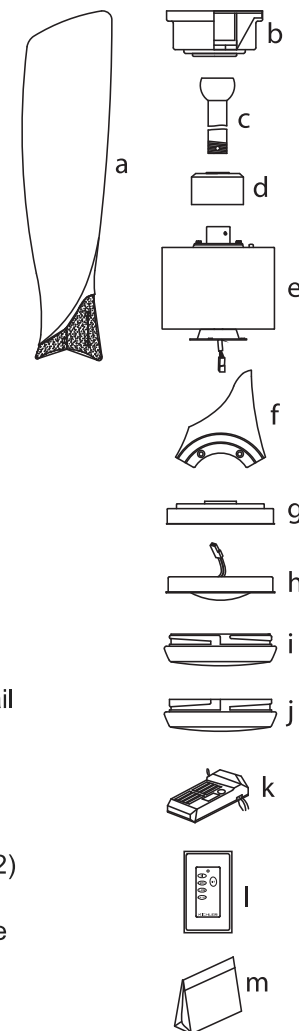
Tournevis Philips
Tournevis standard
Clé de 11 mm
Escabeau
Coupe-fil



CONTENU DE L'EMBALLAGE

Déballez votre ventilateur et vérifiez le contenu. Vous devriez avoir à votre disposition les éléments suivants :

- a. Pales de ventilateur (3)
 - b. Cache et support de montage au plafond
 - c. Ensemble boule/tige
 - d. Couvercle accouplement
 - e. Moteur du ventilateur
 - f. Ensemble de 3 supports de lame et vis de montage préinstallées.
 - g. Plaque d'éclairage
 - h. Kit d'éclairage à LED 17W
 - i. Cache en verre
 - j. Cache décoratif
 - k. Récepteur
 - l. Émetteur mural
 - m. Contenu du sac de pièces
- 1) Matériel de montage:
vis à bois (2), rondelles plates (2), rondelles éventail (2), et serre-fils (3), vis (2)
 - 2) Matériel de montage des pales :
vis (11) rondelles en fiber (11)
 - 3) Matériel de montage pour support des pales : vis (2)
 - 4) Matériel pour câble de sécurité : vis à bois, rondelle élastique, rondelle plate
 - 5) Kit d'équilibrage



OPTIONS DE MONTAGE

S'il n'y a pas de boîtier de montage répertorié UL (CUL pour installation au Canada), lisez les instructions suivantes. Débranchez l'alimentation en retirant les fusibles ou en éteignant les disjoncteurs.

Fixer la boîte à prises directement sur la structure du bâtiment. Utiliser des attaches et des matériaux de construction appropriés. La boîte de sortie et son support doivent pouvoir supporter entièrement le poids total du ventilateur (jusqu'à 15,9 kg (35 livres)). Ne pas utiliser de boîtes à prises en plastique.

Les **figures 1, 2 et 3** sont des exemples de différentes manières de monter la boîte de sortie.

REMARQUE : Si vous installez le ventilateur de plafond sur un plafond incliné (voûté), vous aurez peut-être besoin d'une tige de suspension plus longue pour maintenir un dégagement adéquat entre l'extrémité de la pale et le plafond. Un dégagement minimum de 12" est suggéré pour un fonctionnement optimal.

REMARQUE : Selon l'emplacement sélectionné pour l'installation, il peut s'avérer nécessaire d'acheter et d'installer un "étrier à solive" pour soutenir la boîte à prises. S'assurer que "l'étrier à solive" qui sera acheté, a été conçu pour une utilisation avec des ventilateurs de plafond (**Fig. 4**).

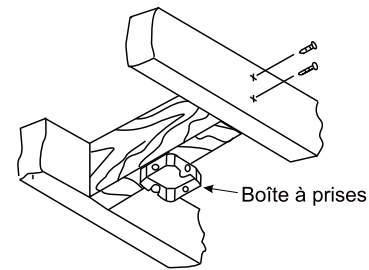


Fig. 1

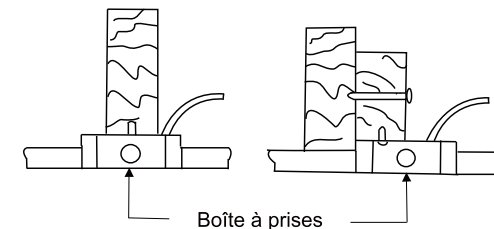


Fig. 2

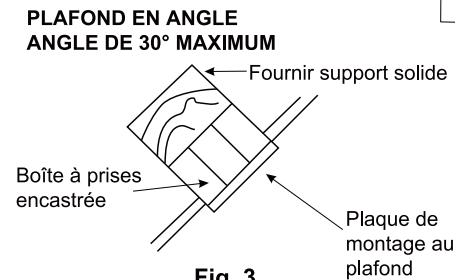


Fig. 3

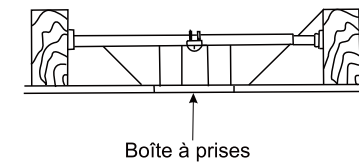


Fig. 4

SUSPENSION DU VENTILATEUR

RAPPEL de couper l'alimentation avant de commencer.

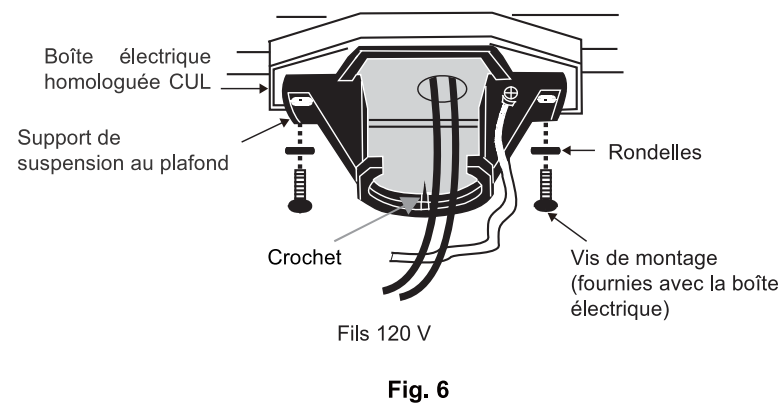
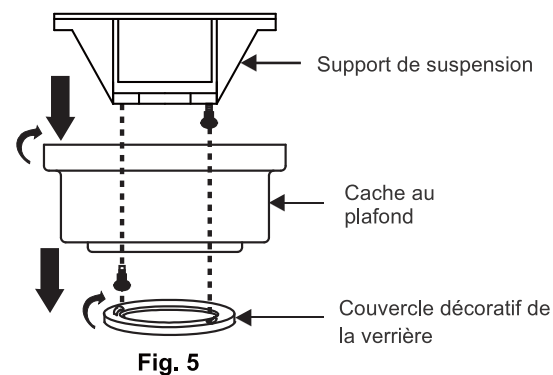
Pour installer correctement votre ventilateur de plafond, suivez les étapes ci-dessous.

Étape 1. Retirez le couvercle décoratif de la verrière du bas de la verrière en tournant le couvercle dans le sens inverse des aiguilles d'une montre (**Fig. 5**).

Étape 2. Retirez le support de montage au plafond de la verrière en retirant (et en conservant) l'une des deux vis. Desserrez la vis restante d'un demi-tour (**Fig. 5**).

Étape 3. Faites passer les fils d'alimentation de 120 V de la boîte à prises du plafond par le centre du support de montage au plafond (**Fig. 6**).

Étape 4. Fixez le support de montage au plafond à la boîte à prises en utilisant les vis et les rondelles fournies avec la boîte à prises (**Fig. 6**).



SUSPENSION DU VENTILATEUR

(SUITE)

Étape 5. Retirez la boule de suspension de la tige de fixation en desserrant la vis de blocage, en dévissant et en retirant la goupille transversale et en retirant la boule de la tige (**Fig. 7**).

Étape 6. Desserrez les deux vis de réglage et retirez la goupille d'attelage et le clip de retenue de l'accouplement sur le dessus de l'ensemble moteur (**Fig. 8**).

Étape 7. Acheminez soigneusement les fils conducteurs électriques depuis le ventilateur jusqu'à la tige de suspension. Vissez la tige de suspension dans l'accouplement jusqu'à ce que les trous de la goupille d'attelage soient alignés.

Remplacez ensuite la goupille d'attelage et le clip de retenue. Serrez les deux vis de réglage (**Fig. 8**).

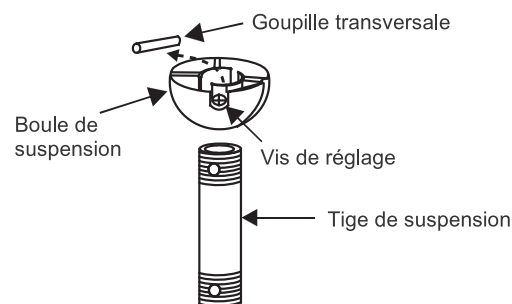


Fig. 7

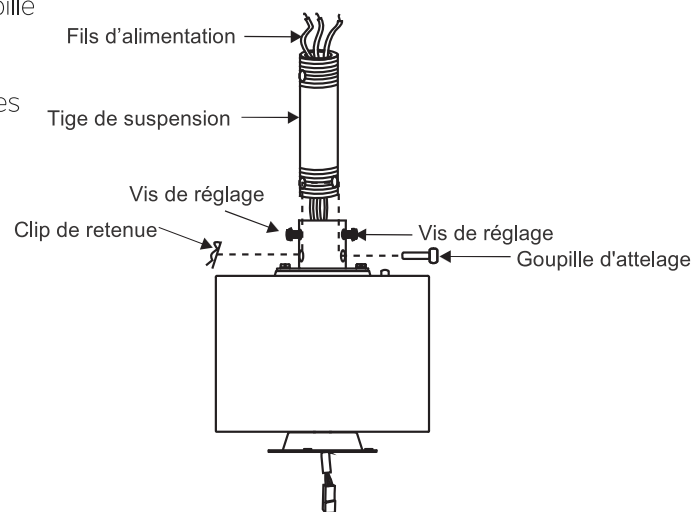


Fig. 8

SUSPENSION DU VENTILATEUR

(SUITE)

Étape 8. Faites glisser le couvercle d'accouplement, le couvercle de l'auvent et l'auvent sur la tige de suspension. (Fig. 9).

Enfilez la boule de suspension sur la tige de suspension, insérez la goupille transversale dans la tige de suspension et serrez. Serrez maintenant la vis de réglage. (Fig. 9).

Étape 9. Soulevez l'assemblage du moteur en position et placez la boule de suspension dans le support de montage au plafond.

Tournez l'ensemble jusqu'à ce que Check Tab (languette de contrôle) se trouve dans Registration Slot (Fente d'installation) et qu'il soit fermement logé (Fig. 10).

Le moteur entier ne doit pas tourner (à gauche ou à droite) lorsque l'installation est bien logée.

AVERTISSEMENT : Le fait de ne pas rattacher la goupille transversale et de placer la « languette de vérification » peut entraîner la chute du ventilateur du plafond pendant le fonctionnement. Veillez tout particulièrement à ce que cette goupille soit remise en place.

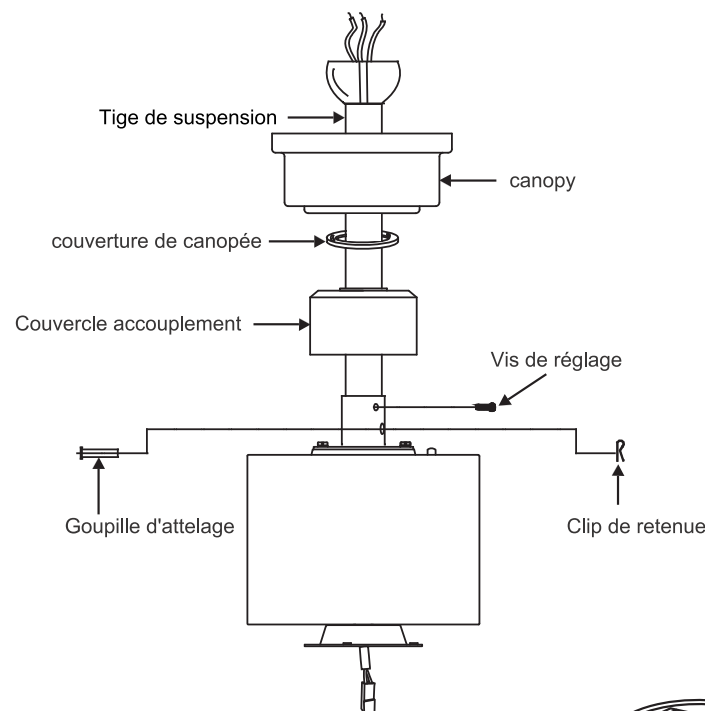


Fig. 9

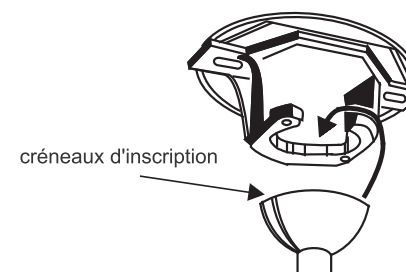


Fig. 10

INSTALLATION DU SUPPORT DE SÉCURITÉ

(requis UNIQUEMENT dans le cas d'une installation canadienne)

Un câble de support de sécurité est fourni pour empêcher que le ventilateur de plafond ne tombe. **Veillez l'installer comme suit :**

Étape 1. Fixez la vis à bois et les rondelles fournies à la solive de plafond à côté du support de montage. **Ne serrez pas.** (Fig. 11)

Étape 2. Ajustez la longueur du câble de sécurité pour atteindre la vis et les rondelles en tirant le câble supplémentaire à travers le serre-câble jusqu'à ce que la longueur totale soit correcte. Remettez l'extrémité du câble à travers le serre-câble formant une boucle à la fin du câble de sécurité sur la vis à bois et sous la rondelle. Bien serrer la vis à bois.

REMARQUE : Bien que le câble de support de sécurité ne soit requis que pour les installations au Canada, il est conseillé d'effectuer la fixation avec n'importe quelle installation.

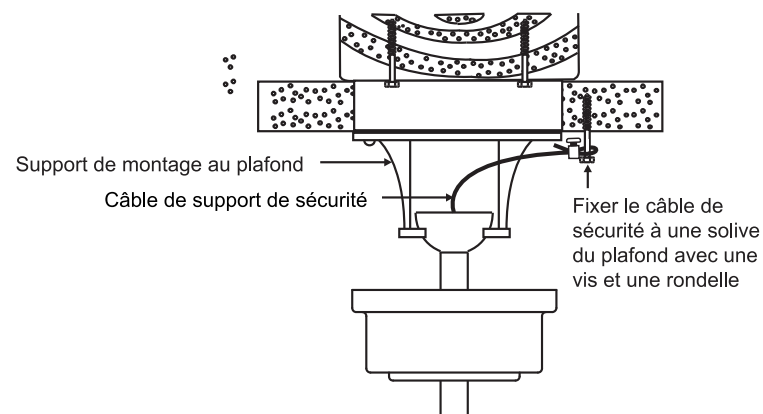


Fig. 11

CONNEXIONS ÉLECTRIQUES

AVERTISSEMENT : Pour éviter tout risque d'électrocution, s'assurer que l'alimentation est coupée au niveau du panneau de circuit principal.

Procédez comme suit pour raccorder le ventilateur au câblage du domicile. Utilisez les raccords de connexion des fils fournis avec le ventilateur. Fixez les connecteurs avec du ruban électrique. Assurez-vous qu'il n'y a pas de brins de fil ni de connexions desserrés.

REMARQUE : Le système de contrôle est équipé de 16 combinaisons de fréquences possibles pour éviter les interférences provenant ou avec d'autres télécommandes. Les commutateurs de fréquence de votre récepteur et de votre émetteur ont été préréglés en usine. Veuillez revérifier pour vous assurer que les commutateurs de l'émetteur et du récepteur sont réglés sur la même position, toute combinaison de réglages fera fonctionner le ventilateur tant que l'émetteur et le récepteur sont réglés sur la même position. (Fig. 12).

Étape 1. Insérez le récepteur dans le support de montage au plafond avec le côté plat du récepteur face au plafond. (Fig. 13) Pour optimiser la performance, assurez-vous que l'antenne noire, à l'extrémité du récepteur, reste étendue et qu'elle n'est pas emmêlée avec les fils électriques.

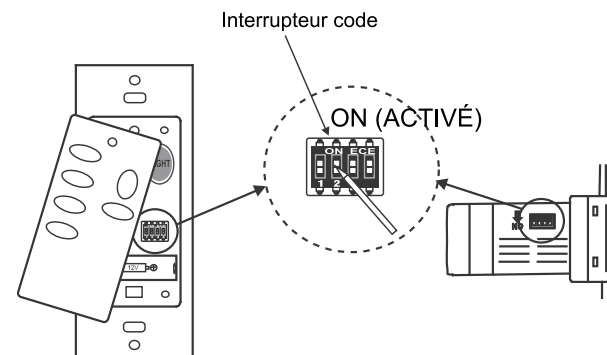


Fig. 12

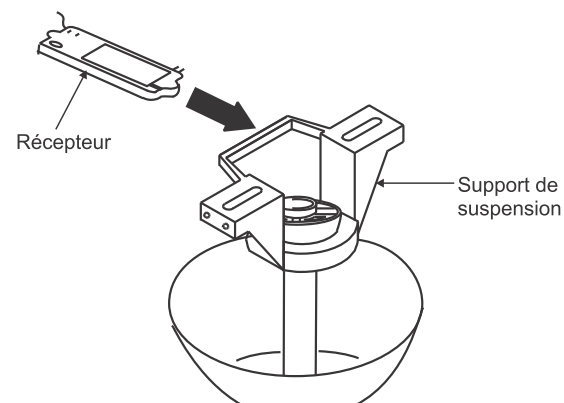


Fig. 13

CONNEXIONS ÉLECTRIQUES (SUITE)

Étape 2. Connexions électriques entre le moteur et le récepteur : (Fig.14)

Connectez le fil NOIR du ventilateur au fil noir marqué "TO MOTOR L" du récepteur. Connectez le fil blanc du ventilateur au fil blanc marqué "TO MOTOR N" du récepteur. Connectez le fil bleu du ventilateur au fil bleu marqué pour l'éclairage ("FOR LIGHT") du récepteur. Sécurisez toutes les connexions de fils avec les serre-fils en plastique (fournis).

Étape 3. (Fig.14) Connexions entre récepteur et fils d'alimentation du domicile : Connectez le fil noir (chaud) du plafond au fil noir marqué "AC in L" du récepteur. Connectez le fil blanc (neutre) du plafond au fil blanc marqué "AC IN N" du récepteur. Sécurisez les connexions de fils avec les connecteurs en plastique (fournis).

Étape 4. (Fig.14) Si la boîte à prises a un fil de masse (vert ou cuivre nu), le connecter aux fils de mise à la terre du ventilateur : s'il n'y a pas de fil de terre, connectez le fil de terre du support de suspension au support de montage. Sécurisez la connexion du fil avec l'écrou en plastique (fourni). Après avoir connecté les fils, séparez-les de sorte que les fils verts et blancs se trouvent sur un côté de la boîte à prises et les fils noirs et bleus de l'autre côté. Introduisez prudemment les raccordements des fils dans la boîte à prises.

REMARQUE : Le ventilateur doit être installé à moins de 30 pieds de l'émetteur à distance CoolTouch pour une transmission optimale du signal entre l'émetteur et le récepteur du ventilateur.

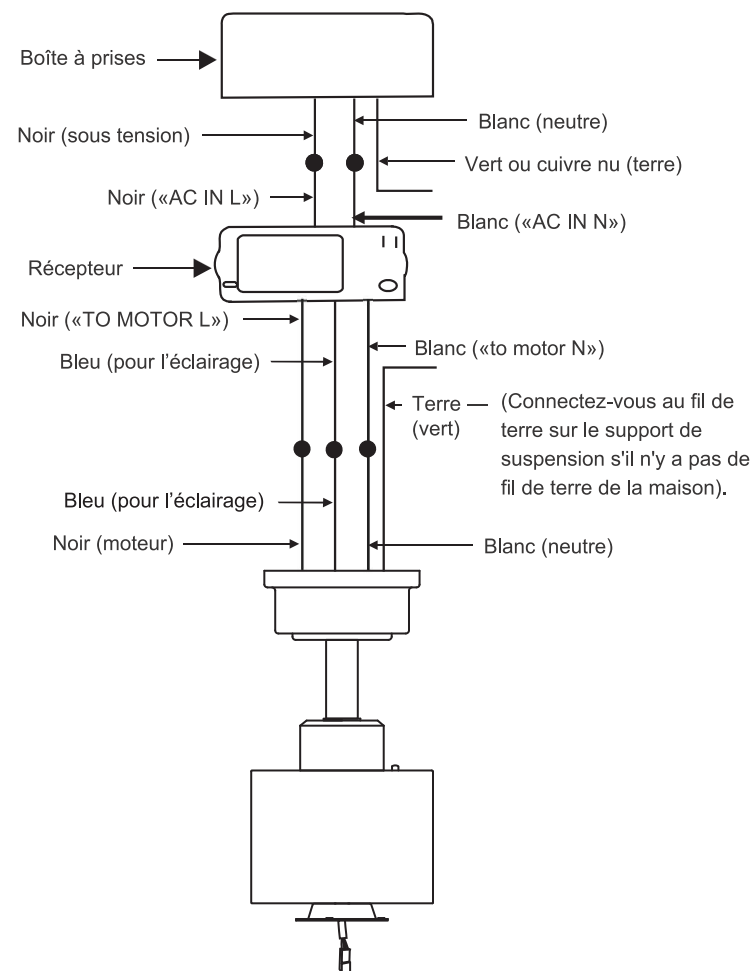


Fig. 14

FIN DE L'INSTALLATION

Étape 1. Rentrez soigneusement toutes les connexions dans la boîte de sortie au plafond.

Étape 2. Faites glisser le cache jusqu'au support de montage et placez l'une des principales fentes de trou au-dessus de la vis de montage sur le support de montage. Tournez le cache jusqu'à ce que la tête de la vis soit verrouillée en place à la section étroite du trou de serrure (**Fig. 15**).

Étape 3. Alignez le trou circulaire restant sur le canopée au trou restant sur le support de montage au plafond. Insérez et serrez la vis de montage retirée plus tôt et la vis de montage de l'étape 2 ci-dessus. Fixez maintenant le couvercle du canopée sur les têtes de vis de montage en insérant les têtes de vis dans la partie inférieure du canopée et en tournant le couvercle dans le sens horaire.

REMARQUE : Régler les vis du canopée jusqu'à ce que le canopée et le couvercle du canopée soient ajustés correctement (**Fig. 15**).

AVERTISSEMENT : S'assurer que la « languette de contrôle » en bas de la bride de suspension soit bien calée dans la « fente d'installation » sur le côté de la boule de suspension avant de fixer le cache au support.

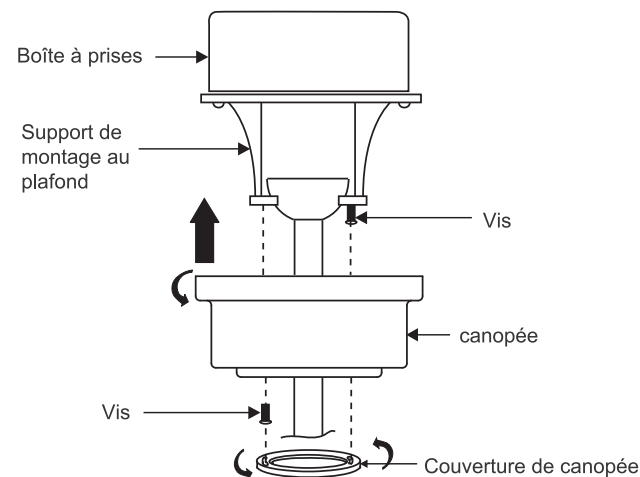


Fig. 15

FIXATION DES PALES DU VENTILATEUR

ATTENTION: Pour réduire le risque d'électrocution, débranchez le circuit d'alimentation électrique du ventilateur avant d'installer les pales de ventilateur.

Étape 1. Fixer une pale sur un support de pale à l'aide des vis et rondelles de fibres fournies. (Fig. 16)

Assurez-vous que la lame est droite lorsqu'elle est installée sur le support de lame. Serrez chaque vis de montage puis répétez cette procédure pour chaque lame.

Étape 2. Fixer chaque support de pale sur le moteur à l'aide des vis de montage « préinstallées » sur les supports de pale. (Fig 16)

INSTALLATION DE LA PLAQUE D'ÉCLAIRAGE

Étape 1. Desserrez les deux vis sur la bague de montage fixée à l'arbre du moteur, puis retirez et conservez la troisième vis. (Fig. 17).

Étape 2. Placez les fentes des trous en forme de serrure situés sur la plaque lumineuse sur les deux vis préalablement desserrées sur la bague de montage

Tournez la plaque lumineuse jusqu'à ce qu'elle soit verrouillée au niveau de la section étroite des trous en forme de serrure. Serrez fermement les deux vis du trou en forme de serrure et remplacez la troisième vis précédemment retirée.

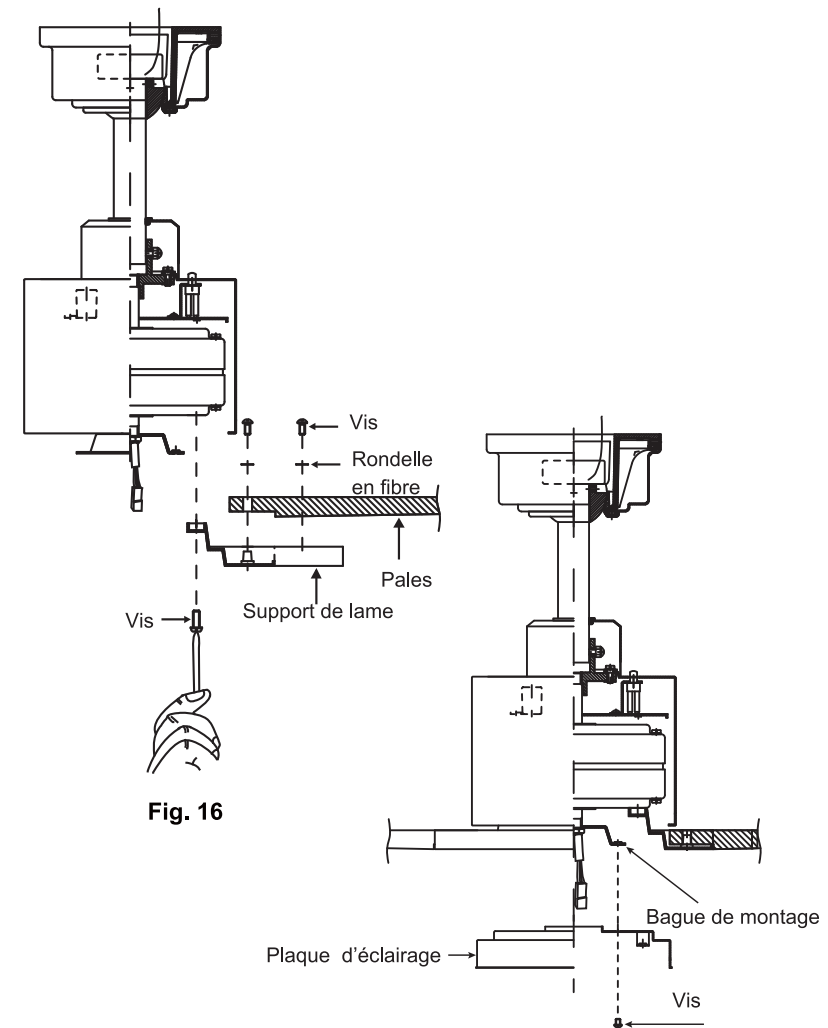


Fig. 16

Fig. 17

INSTALLATION DU KIT D'ÉCLAIRAGE À LED ET CACHE EN VERRE

ATTENTION : Pour réduire le risque de choc électrique, débranchez le circuit d'alimentation électrique du ventilateur avant d'installer le kit d'éclairage.

Étape 1. Desserrez les trois vis de montage à l'intérieur du kit d'éclairage à LED (**Fig. 18**).

Étape 2. Maintenez le kit d'éclairage LED sous le moteur du ventilateur et établissez les connexions des fils : (**Fig. 18**).

- Rouge à blanc
- Noir à noir

REMARQUE : Si vous n'avez pas l'intention d'installer le kit d'éclairage LED avec votre ventilateur pour l'instant, n'effectuez pas la connexion des fils. Soulevez le cache décoratif contre le kit d'éclairage LED et tournez-le dans le sens des aiguilles d'une montre jusqu'à ce qu'il soit bien ajusté. NE PAS SERRER EXCESSIVEMENT (**Fig. 19**).

Étape 3. Rentrez soigneusement les connexions dans la plaque lumineuse. Placez les trous en forme de serrure sur le kit d'éclairage à LED sur les 2 vis précédemment desserrées de la plaque d'éclairage et tournez ensuite le kit d'éclairage jusqu'à ce qu'il s'enclenche au niveau de la section étroite des trous en forme de serrure. Fixez en serrant les trois vis (**Fig. 18**).

Étape 4. Soulevez le cache en verre contre le kit d'éclairage et le tourner dans le sens des aiguilles d'une montre jusqu'à ce qu'il soit bien ajusté. NE PAS SERRER EXCESSIVEMENT. (**Fig. 18**).

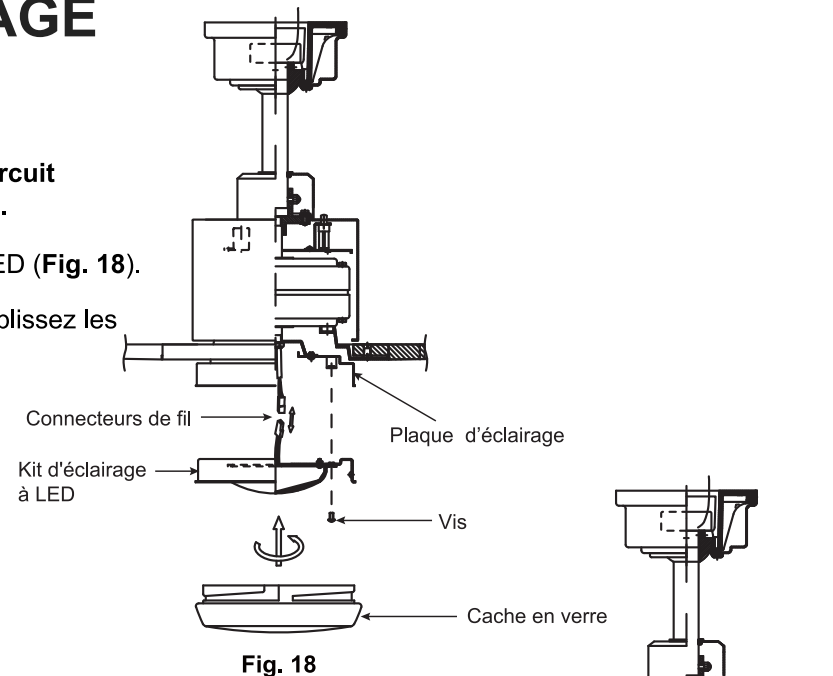


Fig. 18

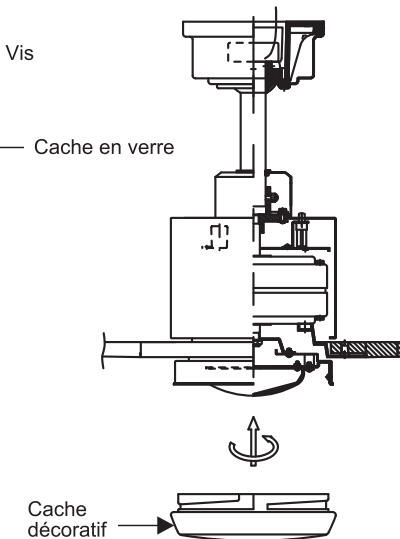


Fig. 19

INSTALLATION DES PILES

Retirez la plaque avant de l'interrupteur mural en la soulevant par le haut et placez ensuite la pile 12 V (fournie). Duracell MN21/ Eveready A23/GP 23A toutes de 12 V (**Fig. 20**).

Remplacez la plaque avant de l'interrupteur.

Pour éviter d'endommager l'émetteur, retirez ces piles s'il ne sera pas utilisé pendant de longues périodes (plusieurs mois).

INSTRUCTIONS D'UTILISATION

- Bouton HI (ÉLEVÉ) = Vitesse élevée
- Bouton MED (MOYEN) = Vitesse moyenne
- Bouton LOW (FAIBLE) = Vitesse faible
- Bouton FAN OFF (VENTILATEUR ARRÊTÉ) = Moteur arrêté
- Bouton D'éclairage = Le bouton "d'éclairage" permet d'allumer ou d'éteindre la lumière ainsi que de contrôler le réglage de la luminosité (**Fig. 21**).

Appuyez et maintenez enfoncé l'un de ces boutons pour régler la luminosité au niveau souhaité. La prochaine fois que vous allumez la lumière, le système aura mémorisé ce réglage.

Appuyez et relâchez l'un des boutons pour allumer ou éteindre la lumière.

Ce système de contrôle N'A PAS été conçu pour "inverser" la rotation des pales. Pour régler les pales du ventilateur en marche arrière, utilisez l'interrupteur d'inversion à glissière qui est situé sur la partie supérieure du boîtier du moteur (**Fig. 22**).

AVERTISSEMENT: N'actionnez pas l'inverseur lorsque les pales du ventilateur sont en mouvement. Le ventilateur doit être éteint et les pales arrêtées avant d'inverser la direction des pales.

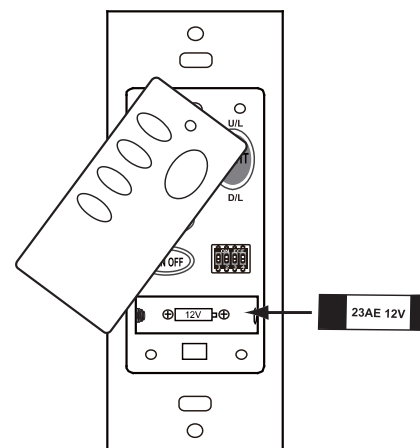


Fig. 20

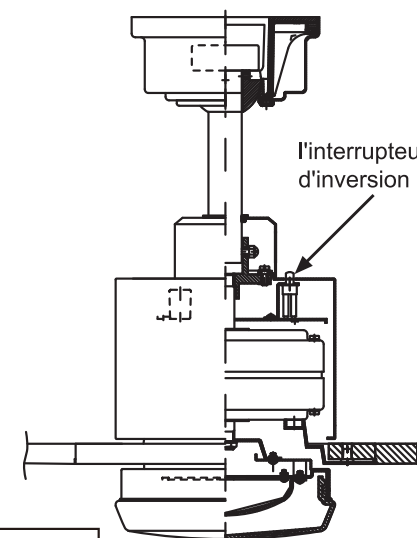


Fig. 22

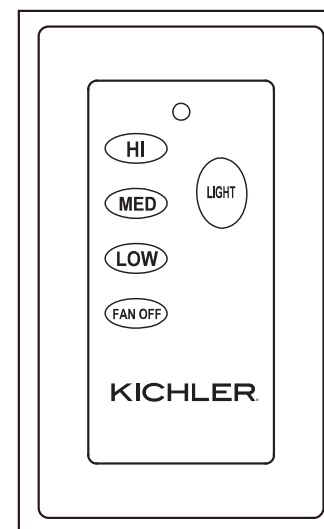


Fig. 21

INSTALLATION DE L'ÉMETTEUR ET DE LA PLAQUE MURALE DE LA COMMANDE MURALE À FONCTION DE BASE

Sélectionnez un emplacement pour installer l'émetteur de commande murale à fonction de base et la plaque murale.

L'émetteur de commande murale peut être installé sur une boîte de sortie d'interrupteur mural existante.

ATTENTION : Assurez-vous que l'alimentation électrique est COUPÉE au niveau du panneau principal avant de continuer.

Étape 1. Retirer la plaque murale existante et l'ancien interrupteur de la boîte électrique murale. Connecter les conducteurs NOIR (charge) ensembles à l'aide d'un écrou de connexion et les pousser délicatement dans la boîte de connexion. (Fig. 23)

Étape 2. Installez la plaque murale sur la boîte à prises existante à l'aide des vis fournies (Fig. 24).

Après avoir installé les ancrages muraux, fixez la plaque murale avec les vis de montage pour terminer l'installation.

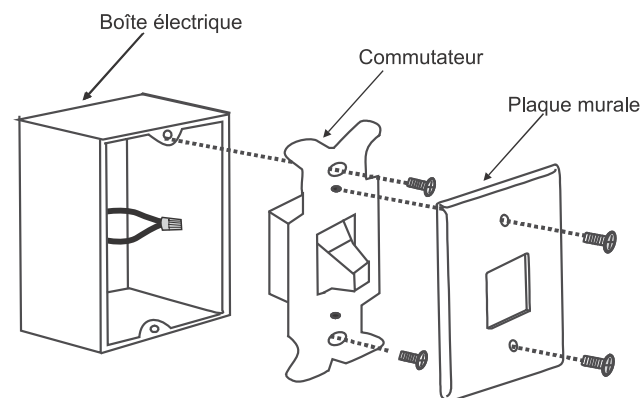


Fig. 23

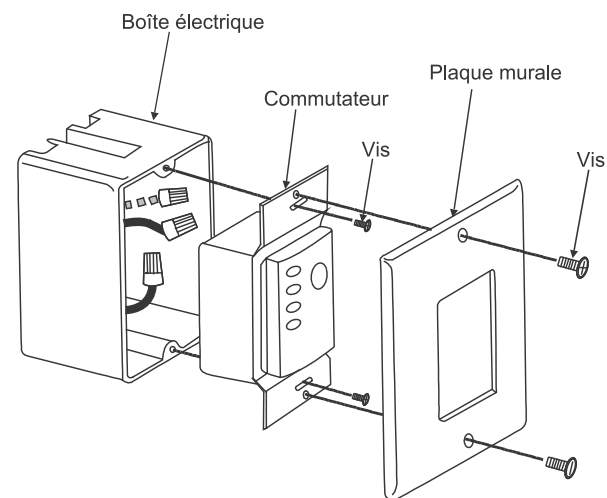


Fig. 24

INSTRUCTIONS D'UTILISATION

REMARQUE : Ce système de contrôle N'A PAS été conçu pour "inverser" la rotation des pales. Pour régler les pales du ventilateur en marche arrière, utilisez l'interrupteur d'inversion à glissière qui est situé sur la partie supérieure du boîtier du moteur.

AVERTISSEMENT: N'actionnez pas l'inverseur lorsque les pales du ventilateur sont en mouvement. Le ventilateur doit être éteint et les pales arrêtées avant d'inverser la direction des pales.

Temps chaud - Avant (sens antihoraire) Un flux d'air vers le bas crée un effet de refroidissement (voir la **figure 25**). Ceci vous permet de régler votre climatisation pour une température plus élevée sans affecter votre confort.

Temps frais - Arrière (dans le sens des aiguilles d'une montre) Le flux d'air vers le haut éloigne l'air chaud de la zone du plafond (**voir Fig. 26**). Cela vous permet d'ajuster votre unité de chauffage sur un réglage plus frais sans affecter votre confort.

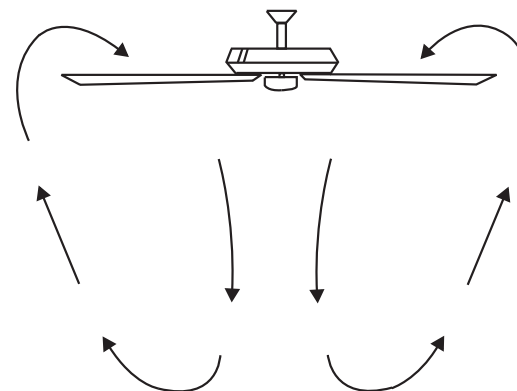


Fig. 25

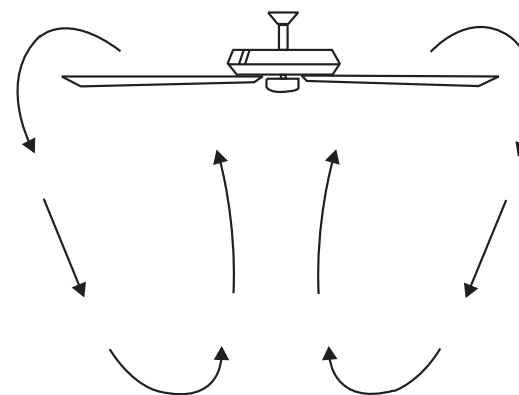


Fig. 26

DÉPANNAGE

Problème	Solution
Impossible de mettre le ventilateur en marche.	<ol style="list-style-type: none">1. Vérifiez les fusibles ou disjoncteurs de circuit.2. Vérifiez tous les raccordements électriques pour garantir un bon contact. MISE EN GARDE : Assurez-vous que l'alimentation principale est COUPÉE lors de la vérification des raccordements électriques.3. Assurez-vous que les piles de l'émetteur sont correctement installées et chargées.
Le ventilateur est bruyant.	<ol style="list-style-type: none">1. Assurez-vous que toutes les vis du boîtier du moteur sont bien ajustées.2. Assurez-vous que les vis qui fixent les supports des pales du ventilateur au moteur sont bien serrées.3. Assurez-vous que les connexions des écrous câblés ne frottent pas les uns contre les autres ou contre le paroi intérieure du coffret électrique. MISE EN GARDE : Assurez-vous que l'alimentation est coupée.4. Prévoyez une période de « rodage » de 24 heures. La plupart des bruits associés à un nouveau ventilateur disparaissent pendant cette période.5. Si vous utilisez un kit d'éclairage en option, assurez-vous que les vis de fixation de la verrerie sont serrées. Assurez-vous que les ampoules ne sont pas en contact avec aucun autre composant.6. Ne pas connecter le ventilateur à un ou plusieurs contrôleurs de vitesse variables muraux. Ils ne sont pas compatibles avec les moteurs de ventilateur de plafond ou les télécommandes.7. Assurez-vous que la verrière supérieure est à une courte distance du plafond. Il ne doit pas toucher le plafond.
Le ventilateur vacille.	<ol style="list-style-type: none">1. Vérifiez que toutes les vis des pales et des bras de pales sont sécurisées.2. La plupart des problèmes de vacillement des ventilateurs provient des niveaux inégaux des pales. Vérifiez ce niveau en sélectionnant un point au plafond au-dessus de l'extrémité d'une des pales. Mesurez cette distance. Faites tourner le ventilateur jusqu'à ce que la prochaine pale soit positionnée pour la mesure. Répétez pour chaque pale. L'écart de distance doit se trouver dans les 1/8 po.3. Utilisez le kit d'équilibrage des lames si l'oscillation des lames est toujours perceptible.4. Si l'oscillation de la lame est toujours perceptible, l'échange de deux lames adjacentes (d'un côté à l'autre) peut redistribuer le poids et éventuellement entraîner un fonctionnement plus fluide.
Dysfonctionnement de la télécommande.	<ol style="list-style-type: none">1. Les ventilateurs de plafond avec des systèmes de contrôle à distance NE PEUVENT PAS fonctionner conjointement avec tout autre système de contrôle, SAUF un interrupteur mural de marche/arrêt, si souhaité.2. Assurez-vous que le réglage des commutateurs de fréquence de l'émetteur et du récepteur est identique.3. Assurez-vous que l'antenne noire sur le récepteur n'est pas emmêlée avec d'autres fils électriques et est bien acheminée à l'intérieur du cache du plafond.

INFORMATIONS FCC

Cet appareil est conforme à la section 15 de la réglementation de la FCC. L'exploitation est soumise aux deux conditions suivantes :

- 1) Cet équipement ne doit pas causer d'interférences nuisibles, et
- 2) Cet équipement doit accepter toute interférence reçue, y compris les interférences risquant d'engendrer un fonctionnement indésirable.

Remarque : Des tests ont confirmé que ce matériel respecte les limites d'un dispositif numérique de catégorie B, en vertu de la section 15 de la réglementation de la FCC. Ces limites ont été conçues pour fournir une protection raisonnable contre le brouillage nuisible d'une installation résidentielle. Cet équipement génère, utilise et peut rayonner de l'énergie radiofréquence et, s'il n'est pas installé et utilisé selon les instructions, peut causer de l'interférence nuisible aux communications de radio. Cependant, il est néanmoins possible qu'il y ait de l'interférence dans une installation en particulier. Si cet équipement cause du brouillage nuisible à la réception du signal de radio ou de télévision, ce qui peut être déterminé en éteignant puis en rallumant l'appareil, l'utilisateur peut essayer de corriger l'interférence en appliquant une des mesures suivantes :

- Réorienter l'antenne de réception ou changer son emplacement.
- Augmenter la distance séparant l'équipement et le récepteur.
- Brancher le matériel dans la prise de courant d'un circuit différent de celui auquel le récepteur est branché.
- Consulter le revendeur ou un technicien radio/télé d'expérience.

KICHLER®

www.kichler.com

Kichler Lighting LLC

30455 Solon Rd. Solon, OH 44139

SERVICE À LA CLIENTÈLE 866.558.5706

De 08h00 à 17h(heure normale de l'Est), du lundi au vendredi

REV 14-Jul-2022

KICHLER®

VENTILADOR CON LED DE 52"/60" RIDLEY™ II



Las imágenes del producto pueden variar levemente respecto del producto real.

LEA Y GUARDE ESTAS INSTRUCCIONES

MANUAL DE INSTRUCCIONES

Modelo # 300027 (52")

300075 (60")

300027(52")
Peso neto: 6.5 kgs (14.33 lbs)
Peso bruto: 7.8 kgs (17.20 lbs)

300075(60")
Peso neto: 7.1 kgs (15.65 lbs)
Peso bruto: 8.2 kgs (18.08 lbs)

ÍNDICE

NORMAS DE SEGURIDAD.....	4	INSTALACIÓN DEL KIT DE LUCES LED Y LA PANTALLA DE VIDRIO.....	16
HERRAMIENTAS REQUERIDAS.....	6	INSTALACIÓN DE LAS BATERÍAS.....	17
CONTENIDO DEL ENVASE.....	6	INSTRUCCIONES DE FUNCIONAMIENTO.....	17
OPCIONES DE MONTAJE.....	7	INSTALACIÓN DEL TRANSMISOR DE CONTROL DE PARED DE FUNCIONES BÁSICAS Y LA PLACA DE PARED.....	18
CÓMO COLGAR EL VENTILADOR.....	8	INSTRUCCIONES DE FUNCIONAMIENTO.....	19
INSTALACIÓN DEL SOPORTE DE SEGURIDAD....	11	LOCALIZACIÓN Y RESOLUCIÓN DE PROBLEMAS....	20
CONEXIONES ELÉCTRICAS.....	12	INFORMACIÓN DE LA FCC.....	21
FINALIZACIÓN DE LA INSTALACIÓN.....	14		
FIJAR LAS ASPAS DEL VENTILADOR.....	15		
INSTALACIÓN DE LA PLACA DE ILUMINACIÓN....	15		

NORMAS DE SEGURIDAD

- 1. ATENCIÓN-RIESGO DE CHOQUE-**
Desconecte la energía en el panel de interruptores de circuito principal o en la caja de fusibles principal antes de comenzar y durante la instalación.
- 2. ADVERTENCIA:** Todo el cableado debe estar de acuerdo con el Código Eléctrico Nacional "ANSI/NFPA 70" y los códigos eléctricos locales. La instalación eléctrica debe ser realizada por un electricista calificado con licencia.
- 3. ADVERTENCIA:** Para reducir el riesgo de descarga eléctrica, este ventilador debe instalarse con un control/interruptor de pared aislador de uso general.
- 4. ADVERTENCIA:** No apto para uso con controles de velocidad de estado sólido.
- 5. ADVERTENCIA:** Para reducir el riesgo de incendio, descarga eléctrica o lesiones personales, monte en la caja de salida marcada como "aceptable para soporte de ventilador de 15,9 kg (35 libras) o menos" y use los tornillos de montaje provistos con la caja de salida. La mayoría de las cajas de salida comúnmente utilizadas para el soporte de los artefactos de iluminación no son aceptables para el soporte de los ventiladores y es posible que deban reemplazarse. Debido a la complejidad de la instalación de este ventilador, se recomienda enfáticamente la intervención de un electricista certificado y calificado.
- 6.** La caja de salida y la estructura de soporte deben montarse de forma segura y ser capaces de soportar de forma fiable un mínimo de 15,9 kg (35 libras). Utilice únicamente cajas de tomas de corriente aprobadas por cULus marcadas como "Aceptable para soporte de ventilador de 15,9 kg (35 lbs) o menos".
- 7.** El ventilador debe instalarse con un espacio libre mínimo de 2,1m (7 pies) entre el borde posterior de las aspas y el piso.
- 8. ADVERTENCIA:** No opere el interruptor de inversión mientras las aspas del ventilador estén en movimiento. El ventilador debe estar apagado y las aspas detenidas antes de invertir la dirección de las aspas.
- 9.** Evite colocar objetos en el recorrido de las aspas del ventilador.
- 10. ADVERTENCIA:** asegúrese de que la energía esté desconectada antes de limpiar su ventilador.
- 11.** Para evitar lesiones personales o daños al ventilador y otros 'objetos, tome todos los recaudos necesarios al limpiar o trabajar en el ventilador.
- 12.** No utilice agua ni detergente para limpiar el ventilador o las aspas del ventilador. Un paño seco o levemente humedecido será suficiente para realizar la mayoría de las tareas de limpieza.
- 13.** Después de concluir con las conexiones eléctricas, los conductores empalmados deben girarse hacia arriba y empujarse con cuidado hacia la caja de salida. Los cables deben separarse con el conductor puesto a tierra y el conductor de puesta a tierra del equipo en un lado de la caja de salida y el conductor sin puesta a tierra en el otro lado de la caja de salida.
- 14.** Los diagramas eléctricos son solo de referencia. Los juegos de luces que no están empacados con el ventilador deben estar listados por cULus y marcados como adecuados para usar con 'el modelo de ventilador que está instalando. Los interruptores deben ser interruptores de uso general cULus. Consulte las instrucciones incluidas con los juegos de luces e interruptores para un montaje adecuado.

NORMAS DE SEGURIDAD (CONTINUACIÓN)

15. Antes de la instalación, todos los tornillos de fijación se deben comprobar y volver a apretar si es necesario.

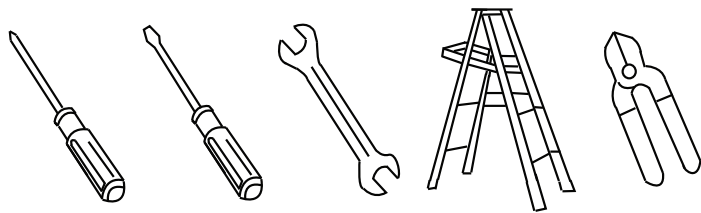
ADVERTENCIA: PARA REDUCIR EL RIESGO DE LESIONES PERSONALES, NO CURVE LOS SOPORTES DE LAS ASPAS (TAMBIÉN DENOMINADOS ABRAZADERAS) DURANTE EL ENSAMBLAJE O DESPUÉS DE LA INSTALACIÓN. NO INSERTE OBJETOS EN EL RECORRIDO DE LAS ASPAS.

**300027(52") : Peso neto: 6.5 kgs (14.33 lbs)
Peso bruto: 7.8 kgs (17.20 lbs)**

**300075(60") : Peso neto: 7.1 kgs (15.65 lbs)
Peso bruto: 8.2 kgs (18.08 lbs)**

HERRAMIENTAS REQUERIDAS

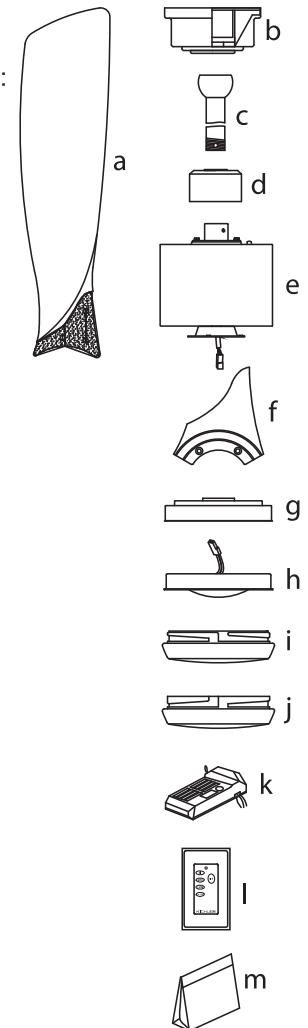
Destornillador Philips
Destornillador plano
Llave de 11 mm
Escalera
Cortacables



CONTENIDO DEL ENVASE

Retire el ventilador de la caja y verifique que estén todos sus componentes. La caja debería contener los siguientes elementos:

- a. Aspas del ventilador (3)
 - b. Soporte de montaje en techo y Cubierta para cielorraso
 - c. Ensamblaje de bola/Vástago de extensión
 - d. Tapa de acoplamiento
 - e. Ensamblaje del motor del ventilador
 - f. Juego de 3 soportes para aspas y tornillos de montaje preinstalados.
 - g. Placa de iluminación
 - h. Kit de iluminación LED de 17W
 - i. Pantalla de vidrio
 - j. Cubierta inferior decorativa
 - k. Receptor
 - l. Transmisor de pared
 - m. Contenido de la bolsa de pieza
- 1) Piezas metálicas de montaje:
tornillos para madera (2), arandelas planas (2), arandelas de estrella (2), tuercas para cable (3), tornillos (2)
 - 2) Piezas metálicas para acoplamiento de las aspas: tornillos (11), arandelas de fibra (11)
 - 3) Fijación del soporte del aspa: tornillos (2)
 - 4) Hardware del cable de seguridad: tornillo para madera, arandela elástica, arandela plana
 - 5) Kit de equilibrio



OPCIONES DE MONTAJE

Si no hay ninguna caja de montaje existente con certificación UL (cUL para instalación en Canadá), entonces lea las siguientes instrucciones. Desconecte el suministro de energía eléctrica retirando los fusibles o apagando los disyuntores.

Sujete la caja de distribución directamente a la estructura de la construcción. Utilice tornillos de fijación y materiales de construcción adecuados. La caja de conexiones eléctricas y su soporte deben ser capaces de soportar completamente el peso total del ventilador (hasta 15,9 kg (35 libras)). No utilice cajas de distribución eléctrica de plástico.

Las **figuras 1, 2 y 3** son ejemplos de diferentes formas de montaje de la caja de distribución.

NOTA: Si está instalando el ventilador de techo en un techo inclinado (abovedado), es posible que necesite un vástago de extensión más largo para mantener el espacio adecuado entre la punta de las aspas y el techo. Un mínimo Se sugiere un espacio libre de 12" para una operación óptima.

NOTA: Dependiendo del lugar que haya seleccionado para la instalación, es posible que usted necesite comprar e instalar un "colgante de viga" para el soporte de la caja de distribución eléctrica. Asegúrese de que el colgante de viga que compre se haya diseñado para uso con ventiladores de techo. (**Fig. 4**)

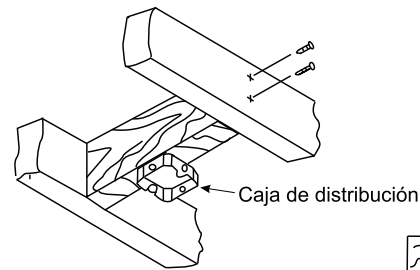


Fig. 1

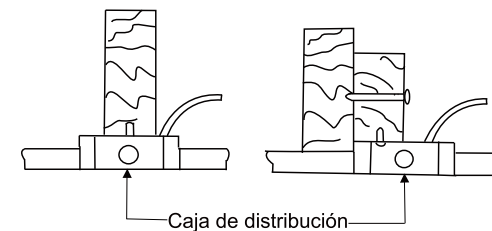


Fig. 2

CIELORRASO EN ÁNGULO, MÁXIMO DE 30°

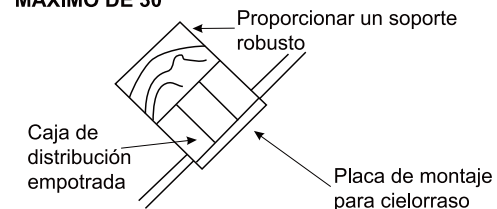


Fig. 3

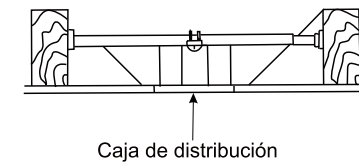


Fig. 4

CÓMO COLGAR EL VENTILADOR

RECUERDE desconectar el suministro de energía eléctrica antes de comenzar con la instalación.

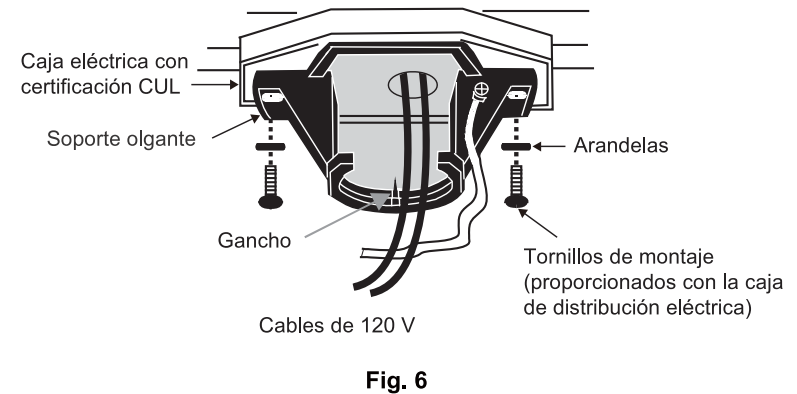
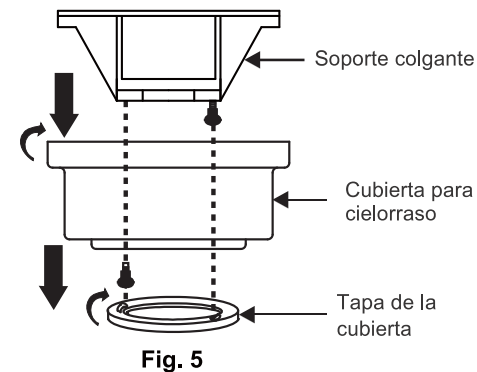
Para instalar su ventilador de techo de manera adecuada, siga los pasos detallados a continuación.

Paso 1. Quite la cubierta decorativa inferior del dosel girándola en el sentido contrario a las agujas del reloj. (**Fig. 5**)

Paso 2. Retire el soporte de montaje del techo de la cubierta quitando (y guarde) uno de los dos tornillos. Afloje el tornillo restante media vuelta. (**Fig. 5**)

Paso 3. Pase los cables de suministro de 120 voltios desde la caja de salida del techo a través del centro del soporte de montaje del techo. (**Fig. 6**)

Paso 4. Acople el soporte de montaje para cielorraso a la caja de distribución eléctrica utilizando los tornillos y las arandelas incluidas con la caja de distribución. (**Fig. 6**)



CÓMO COLGAR EL VENTILADOR (CONTINUACIÓN)

Paso 5. Retire la bola de suspensión del conjunto del vástago de extensión aflojando el tornillo de fijación, desenroscándolo y quitando el pasador transversal y desenroscando la bola de la varilla. **(Fig. 7)**

Paso 6. Afloje los dos tornillos y retire el pasador de enganche y el clip de sujeción del acoplamiento en la parte superior del ensamblaje del motor. **(Fig. 8)**

Paso 7. Inserte con cuidado los cables eléctricos desde el ventilador hacia arriba a través del vástago de extensión. Enrosque el vástago de extensión en el acoplamiento hasta que los orificios del pasador de enganche estén alineados.

Luego vuelva a colocar el pasador de enganche y el clip de retención. Apriete ambos tornillos de fijación. **(Fig. 8)**

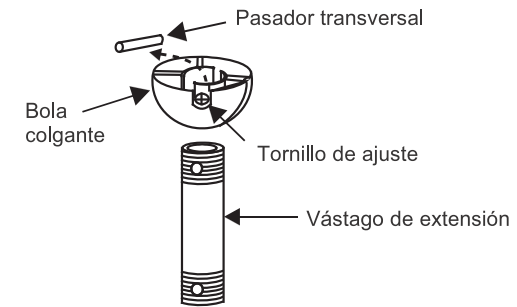


Fig. 7

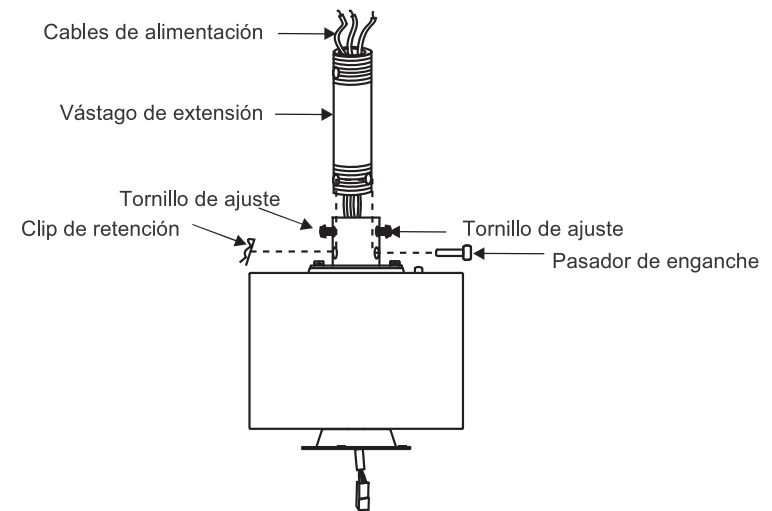


Fig. 8

CÓMO COLGAR EL VENTILADOR (CONTINUACIÓN)

Paso 8. Deslice la tapa de acoplamiento, la tapa de la cubierta y la cubierta sobre el vástago de extensión. **(Fig. 9)**

Enrosque la bola colgante en el vástago de extensión, inserte el pasador transversal en el vástago de extensión y ajuste. Ahora, ajuste el tornillo embutido. **(Fig.9)**

Paso 9. Levante el cuerpo del motor hasta ubicarlo en posición y coloque la bola colgante dentro del soporte de montaje para cielorraso.

Gire el ensamblaje completo hasta que la “pestaña de verificación” haya caído en la “ranura de registro” y se haya asentado con firmeza. **(Fig. 10)**

El cuerpo completo del motor no girará (hacia la derecha o hacia la izquierda) si esto se hace correctamente.

ADVERTENCIA: no se vuelve a acoplar el pasador transversal y asentar la “pestaña de verificación” el ventilador podría caer durante su funcionamiento. Tome todos los recaudos necesarios para asegurarse de que el pasador vuelva a posicionarse en su lugar.

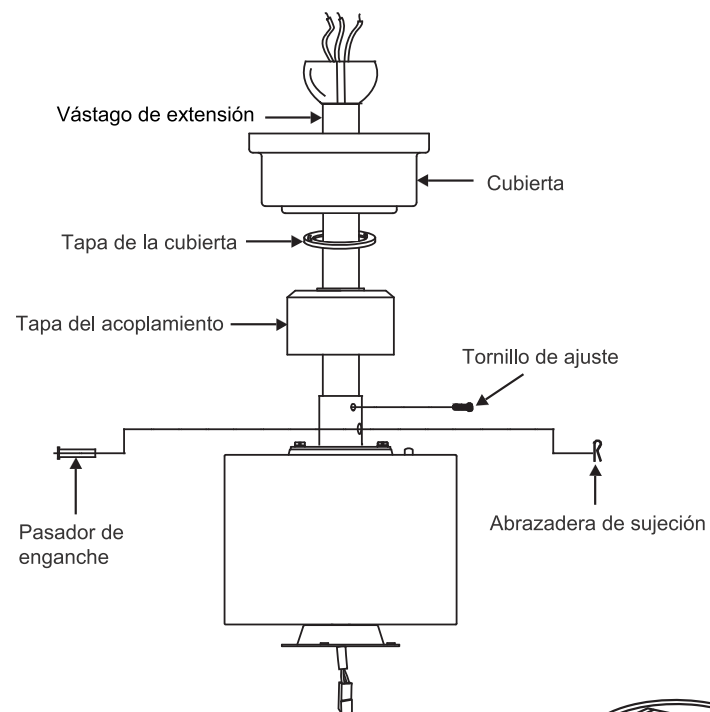


Fig. 9

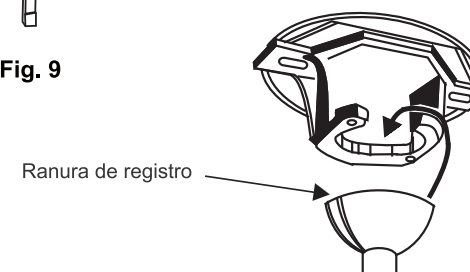


Fig. 10

INSTALACIÓN DEL SOPORTE DE SEGURIDAD (SE REQUIERE ÚNICAMENTE PARA SU INSTALACIÓN EN CANADÁ)

Se incluye un cable de soporte de seguridad que contribuye a evitar que el ventilador de techo se caiga. **Por favor instale de la siguiente manera:**

Paso 1. Inserte el tornillo para madera y las arandelas proporcionados en la viga del cielo raso al lado del soporte de montaje, pero no los apriete. **(Fig. 11)**

Paso 2. Ajuste la longitud del cable de seguridad para alcanzar el tornillo y las arandelas tirando de todo el cable adicional a través de la brida hasta que la longitud total sea correcta, vuelva a colocar el extremo del cable a través de la abrazadera del cable, formando un lazo en el extremo del cable. Apriete firmemente la abrazadera de sujeción de cables. Ahora coloque el lazo en el extremo del cable de seguridad sobre el tornillo para madera y debajo de la arandela. Apriete firmemente el tornillo para madera.

NOTA: Aunque el cable de soporte de seguridad se requiere únicamente para instalaciones en Canadá, se recomienda su uso con cualquier instalación.

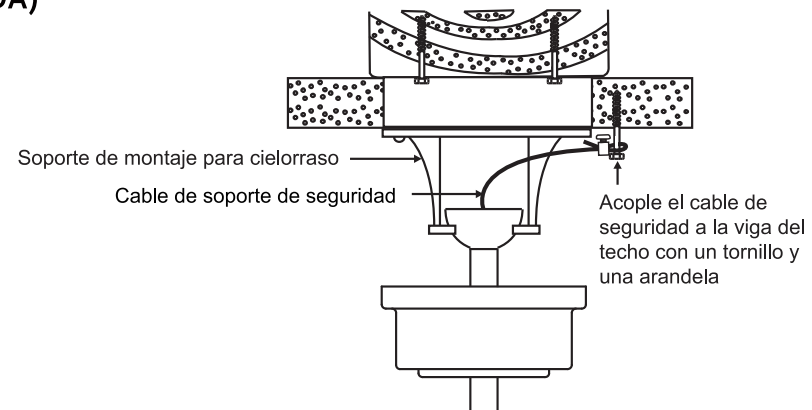


Fig. 11

CONEXIONES ELÉCTRICAS

ADVERTENCIA: Para evitar posibles descargas eléctricas, asegúrese de haber desconectado el suministro de energía eléctrica desde el panel de circuito principal.

Siga los pasos a continuación para conectar el ventilador al cableado de su hogar. Utilice las tuercas para cable proporcionadas con el ventilador. Asegure los conectores con cinta aislante. Asegúrese de que no haya conexiones o terminaciones de cables sueltas.

NOTA: El sistema de control está equipado con 16 posibles combinaciones de frecuencia para evitar interferencias con otras unidades de control remoto. Los interruptores de frecuencia de su receptor y transmisor han sido preestablecidos en la fábrica. Vuelva a verificar para asegurarse de que los interruptores del transmisor y el receptor estén configurados en la misma posición. A cualquier combinación de configuraciones hará funcionar el ventilador siempre que el transmisor y el receptor estén configurados en la misma posición. (Fig. 12)

Paso 1. Inserte el receptor en el soporte de montaje para cielorraso con el lado plano del receptor mirando al techo. (Fig. 13) Para un mejor desempeño, asegúrese de que la antena negra, al final del receptor, permanezca extendida y no se enrosque con ningún cable eléctrico.

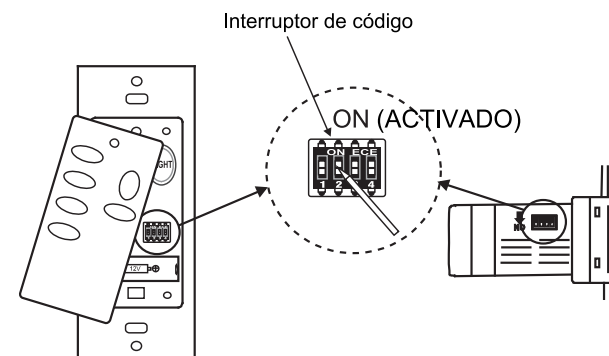


Fig. 12

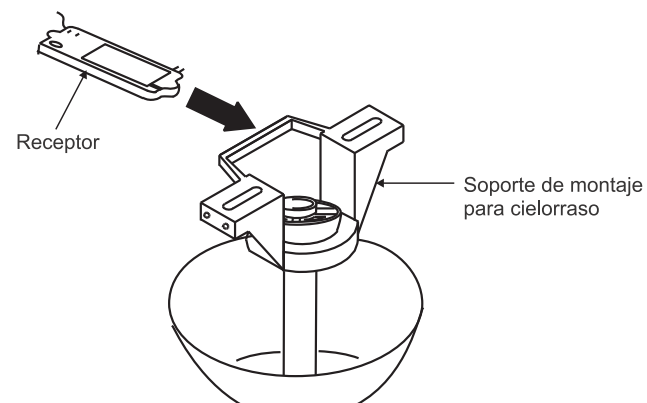


Fig. 13

CONEXIONES ELÉCTRICAS (CONTINUACIÓN)

Paso 2. Conexiones eléctricas del motor al receptor: (Fig. 14)

Conecte el cable negro del ventilador al cable negro marcado como "TO MOTOR L" (AL MOTOR L) del receptor. Conecte el cable blanco del ventilador al cable blanco marcado como "TO MOTOR N" (AL MOTOR N) del receptor. Conecte el cable azul del ventilador al cable azul marcado como "FOR LIGHT" (PARA ILUMINACIÓN) del receptor. Asegure las conexiones de cables con las tuercas plásticas para cable proporcionadas.

Paso 3. (Fig. 14) Conexiones eléctricas del receptor a los cables de alimentación del hogar: Conecte el cable negro (caliente) del cielorraso al cable negro marcado como "AC in L" (CA en L) del receptor. Conecte el cable blanco (neutro) del cielorraso con el cable blanco marcado como "AC in N" (CA en N) del receptor. Asegure las conexiones de cables con las tuercas plásticas para cable proporcionadas.

Paso 4. (Fig. 14). Si su caja de distribución tiene un cable de puesta a tierra (verde o cobre sin recubrimiento), conéctelo a los cables de puesta a tierra del ventilador; en caso contrario, conecte el cable de puesta a tierra del soporte colgante al soporte de montaje. Asegure la conexión eléctrica con una tuerca de plástica para cable proporcionada. Después de haber conectado los cables, sepárelos de manera que el cable verde y el cable blanco queden de un costado de la caja de distribución y el cable azul y el cable negro queden del otro costado. Empuje con cuidado las conexiones de cables hacia arriba dentro de la caja de distribución.

NOTA: El ventilador debe instalarse a una distancia máxima de 30 pies del transmisor CoolTouch Remote para una transmisión de señal óptima entre el transmisor y el receptor del ventilador.

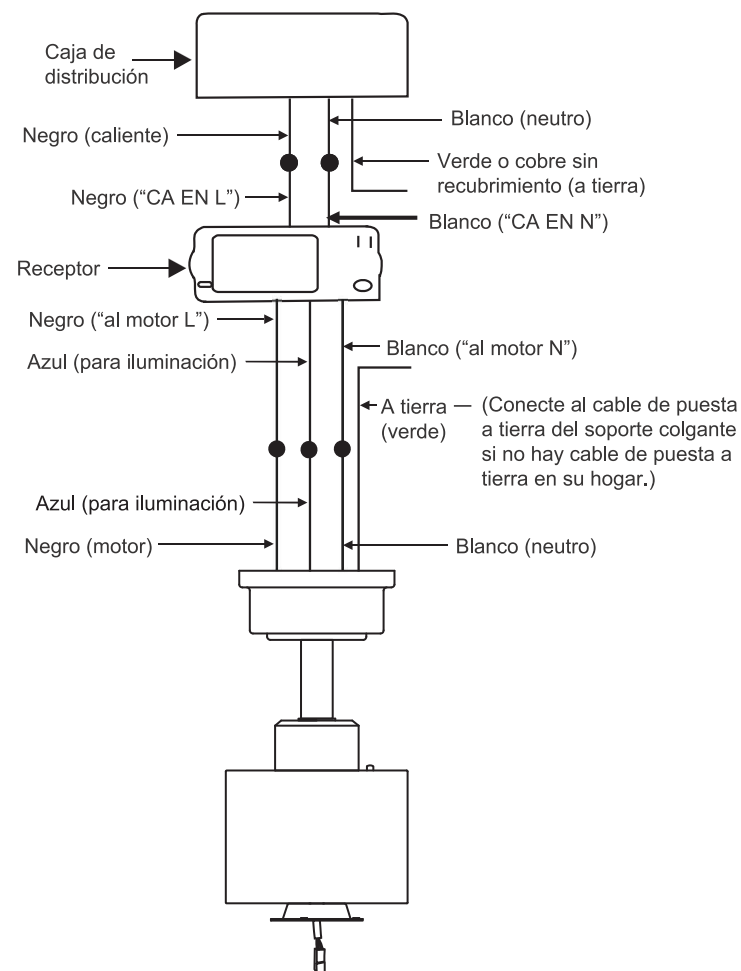


Fig. 14

FINALIZACIÓN DE LA INSTALACIÓN

Paso 1. Inserte las conexiones en forma ordenada dentro de la caja de distribución eléctrica del cielorraso.

Paso 2. Deslice la cubierta hacia arriba hasta el soporte de montaje y coloque una de las ranuras de los orificios principales sobre el tornillo de montaje en el soporte de montaje. Haga girar la cubierta hasta que el tornillo se trabe en posición en la sección angosta del orificio principal. (Fig. 15)

Paso 3. Alinee el orificio circular restante sobre la cubierta con el orificio restante del soporte de montaje para cielorraso. Inserte y ajuste el tornillo de montaje que retiró anteriormente y el tornillo de montaje del Paso 2 arriba. Ahora, acople la tapa de la cubierta con las cabezas del tornillo de montaje insertando las cabezas de los tornillos del lado inferior de la tapa de la cubierta y haciendo girar la tapa en sentido horario.

NOTA: Ajuste los tornillos de la cubierta según sea necesario hasta que la cubierta y la tapa de la cubierta estén bien ajustadas. (Fig. 15)

ADVERTENCIA: Asegúrese de que la "Pestaña Verificación" en la parte inferior del soporte de suspensión esté correctamente asentada en la "ranura de registro" en el costado de la bola de suspensión antes de sujetar la cubierta al soporte.

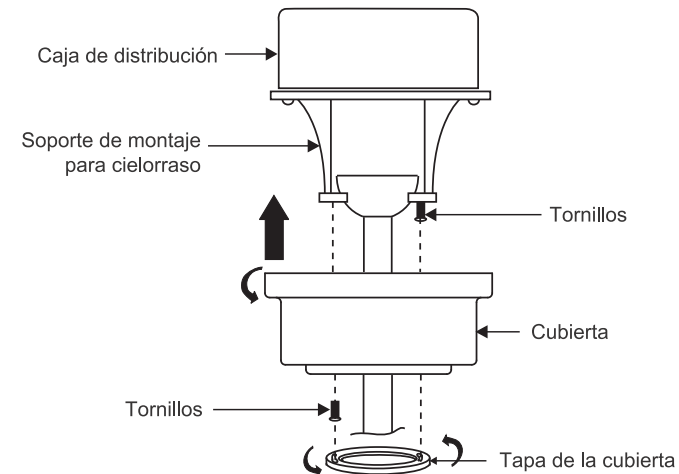


Fig. 15

FIJAR LAS ASPAS DEL VENTILADOR

PRECAUCIÓN: Para reducir el riesgo de descarga eléctrica, desconecte el circuito de suministro eléctrico al ventilador antes de instalar las aspas del ventilador.

Paso 1. Acople un aspa al soporte del aspa utilizando los tornillos y las arandelas de fibra proporcionados. (Fig. 16)

Asegúrese de que el aspa esté derecha al colocarse en el soporte del aspa. Ajuste cada tornillo de montaje. Repita este procedimiento con cada una de las aspas restantes.

Paso 2. Acople cada ensamblaje del aspa al motor utilizando los tornillos de montaje "preinstalados" en el soporte del aspa. (Fig. 16)

INSTALACIÓN DE LA PLACA DE ILUMINACIÓN

Paso 1. Afloje los dos tornillos del anillo de montaje acoplados al eje del motor y "retire" y guarde el tercer tornillo. (Fig. 17)

Paso 2. Coloque las ranuras del orificio principal en la placa de luz sobre los dos tornillos aflojados previamente en el anillo de montaje.

Gire la placa de luz hasta que encaje en su posición en la sección estrecha de las ranuras del orificio principal.

Ajuste ambos tornillos de los orificios principales y vuelva a colocar el tercer tornillo retirado previamente y ajuste bien.

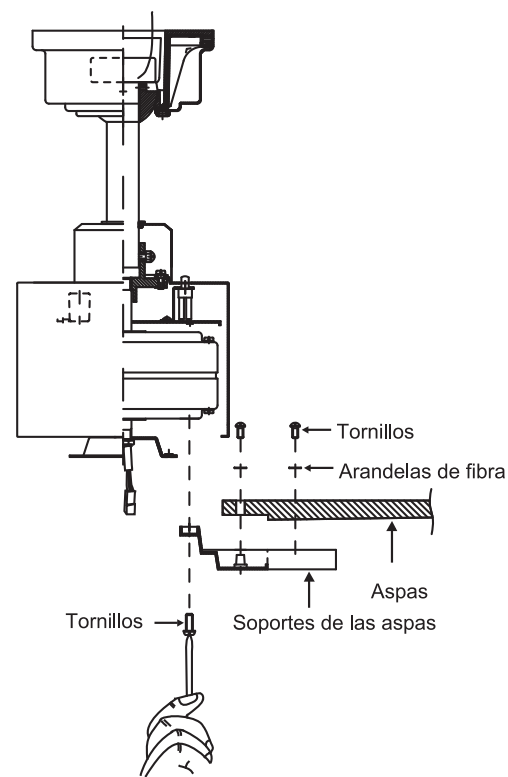


Fig. 16

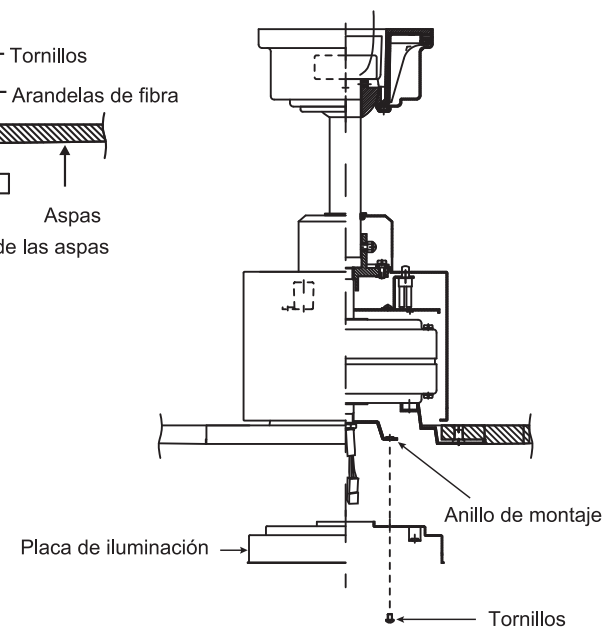


Fig. 17

INSTALACIÓN DEL KIT DE LUCES LED Y LA PANTALLA DE VIDRIO

PRECAUCIÓN: Para reducir el riesgo de descarga eléctrica, desconecte el circuito de suministro eléctrico al ventilador antes de instalar el juego de luces.

Paso 1. Afloje los tres tornillos de montaje del interior del kit de iluminación LED (Fig. 18)

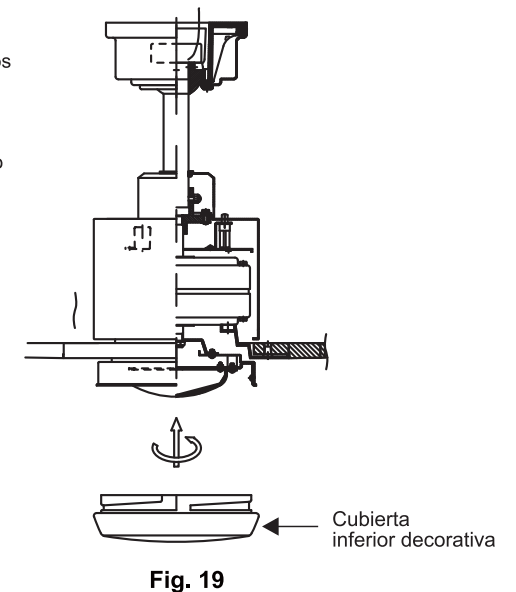
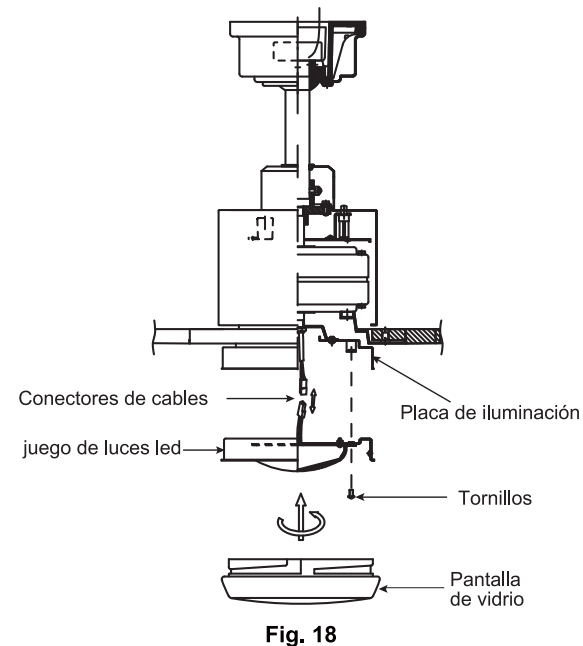
Paso 2. Mientras sujeta el kit de iluminación LED por debajo del motor del ventilador, prepare las conexiones eléctricas: (Fig. 18)

- Rojo a blanco
- Negro a negro

NOTA: Si no planea instalar el kit de luz LED con su ventilador en este momento, no haga las conexiones de los cables. Levante la cubierta inferior decorativa contra el kit de luces LED y gírela en el sentido de las agujas del reloj hasta que esté bien ajustada, NO APRIETE DEMASIADO. (Fig. 19)

Paso 3. Inserte las conexiones cuidadosamente en la placa de luz. Coloque los orificios principales del juego de luces LED sobre los dos tornillos que se aflojaron anteriormente en la placa de luz, gire el juego de luces LED hasta que encaje en su posición en la sección estrecha de las ranuras de los agujeros principales. Asegure apretando los tres tornillos. (Fig. 18)

Paso 4. Levante la pantalla de vidrio contra el kit de iluminación y hágala girar en sentido horario hasta que quede ajustada. NO AJUSTE EN EXCESO. (Fig. 18).



INSTALACIÓN DE LAS BATERÍAS

Retire la placa frontal del interruptor de pared levantando la parte superior e inserte luego la batería de 12V proporcionada. Duracell MN21/Eveready A23/GP 23A todas de 12V. (Fig. 20)

Vuelva a colocar la placa frontal del interruptor en su lugar.

Para evitar posibles daños al transmisor, retire la batería si el artefacto no se utiliza por períodos prolongados (meses).

INSTRUCCIONES DE FUNCIONAMIENTO

- Botón HI = Alta velocidad
- Botón MED = Velocidad media
- Botón LOW = Baja velocidad
- Botón FAN OFF = Motor apagado
- Botón LIGHT = el botón "LIGHT" enciende o apaga la luz y también controla la configuración de brillo. (Fig. 21)

Mantenga presionado cualquiera de los botones para establecer el nivel de brillo deseado. La próxima vez que encienda la luz, el sistema recordará esta configuración.

Presione y suelte cualquiera de los botones para encender y apagar la luz.

Este sistema de control NO está diseñado para "invertir" el sentido de rotación de las aspas del ventilador. Para invertir el sentido de rotación de las aspas del ventilador, presione el interruptor de sentido inverso ubicado en la parte superior de la caja del motor. (Fig. 22)

ADVERTENCIA: No accione el comando para revertir el sentido de las aspas mientras el ventilador está en movimiento. El ventilador debe estar apagado y las aspas quietas antes de revertir la dirección de las aspas.

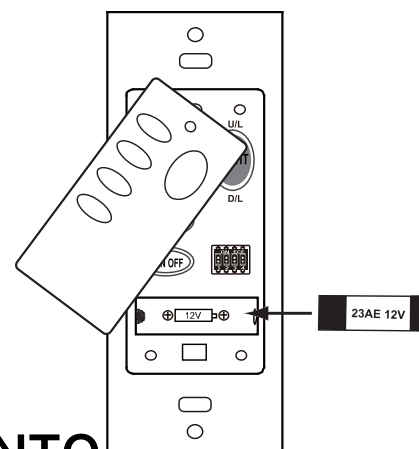


Fig. 20

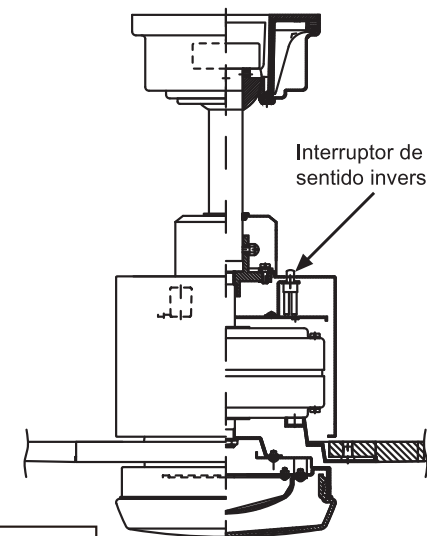


Fig. 22

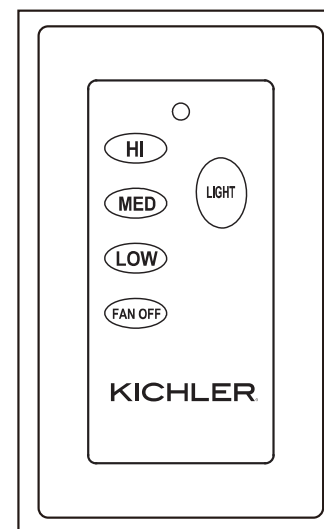


Fig. 21

INSTALACIÓN DEL TRANSMISOR DE CONTROL DE PARED DE FUNCIONES BÁSICAS Y LA PLACA DE PARED

Seleccione una ubicación para instalar el transmisor de control de pared de funciones básicas y la placa de pared.

El transmisor de control de pared se puede instalar en una caja de salida de interruptor de pared existente.

PRECAUCIÓN: Asegúrese de que el suministro eléctrico esté DESCONECTADO en el panel principal antes de continuar.

Paso 1. Retire la placa de pared existente y el antiguo interruptor de la caja de distribución de pared. Conecte con una tuerca las terminaciones de cables NEGROS (calientes) entre sí y vuelva a empujarlos al interior de la caja de distribución. (Fig. 23)

Paso 2. Instale la placa de pared en la caja de distribución eléctrica existente utilizando los tornillos proporcionados. (Fig. 24)

Después de haber instalado los anclajes de pared, acople la placa de pared con los tornillos de montaje para finalizar la instalación.

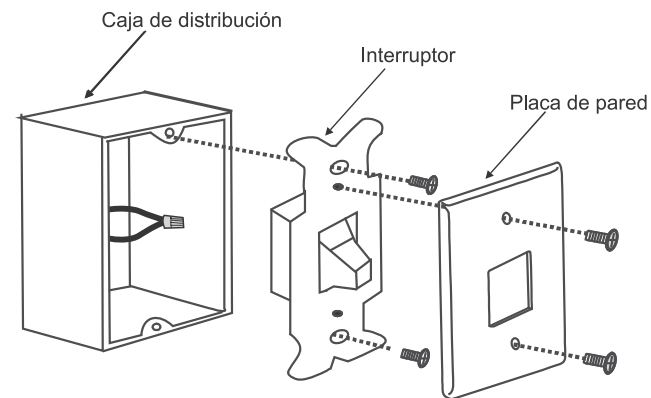


Fig. 23

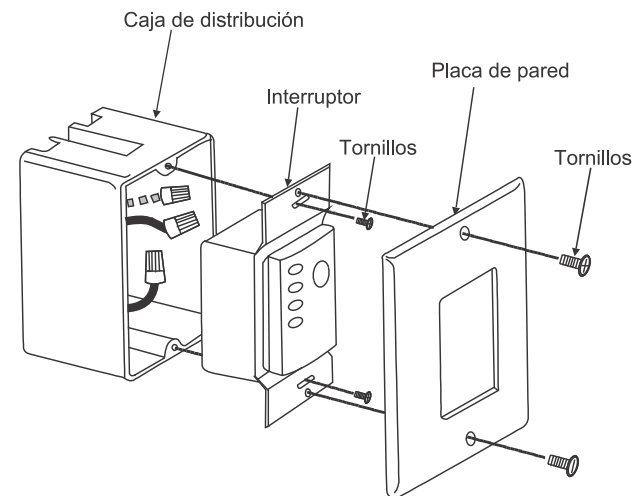


Fig. 24

INSTRUCCIONES DE FUNCIONAMIENTO

NOTA: Este sistema de control NO está diseñado para “invertir” el sentido de rotación de las aspas. Para invertir el sentido de rotación de las aspas del ventilador, presione el interruptor de sentido inverso ubicado en la parte superior de la caja del motor.

PRECAUCIÓN: No accione el comando para revertir el sentido de las aspas mientras el ventilador está en movimiento. El ventilador debe estar apagado y las aspas quietas antes de revertir la dirección de las aspas.

Clima cálido - Avance (sentido anti horario) Un flujo de aire descendente crea un efecto de enfriamiento tal como se muestra en la **Fig. 25**. Esto permite configurar su acondicionador de aire en casos de clima más cálido sin afectar su comodidad.

Clima frío - Inversa (en el sentido de las agujas del reloj) Un flujo de aire ascendente mueve el aire caliente fuera del techo como se muestra en la **Fig. 26**. Esto le permite configurar su unidad de calefacción en un ambiente más fresco sin afectar su comodidad.

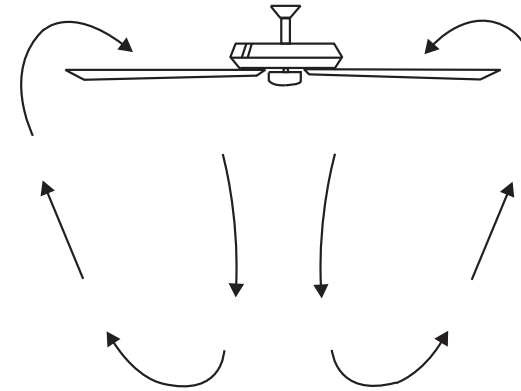


Fig. 25

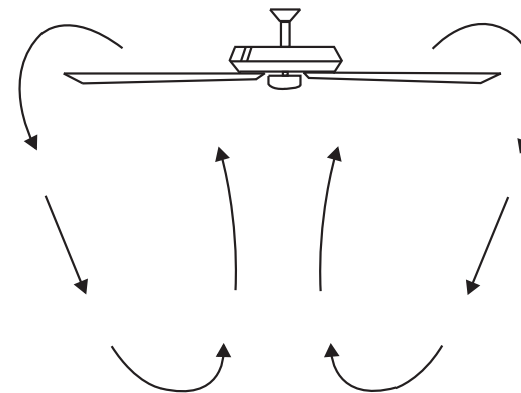


Fig. 26

LOCALIZACIÓN Y RESOLUCIÓN DE PROBLEMAS

Problema	Solución
El ventilador no arranca.	<ol style="list-style-type: none">1. Controle el funcionamiento de los fusibles de circuito o los disyuntores.2. Verifique todas las conexiones eléctricas para asegurar el debido contacto. PRECAUCIÓN: Asegúrese de que la corriente principal esté DESCONECTADA al verificar cualquier conexión eléctrica.3. Asegúrese de que las baterías del transmisor estén instaladas correctamente, y asegúrese de que las baterías estén bien cargadas.
El ventilador hace mucho ruido.	<ol style="list-style-type: none">1. Asegúrese de que todos los tornillos de la caja del motor estén ajustados.2. Asegúrese de que los tornillos que sujetan los soportes de las aspas del ventilador al motor estén ajustados.3. Asegúrese de que las conexiones de las tuercas para cables con las conexiones no rocen entre sí ni contra la pared interior de la carcasa del interruptor. PRECAUCIÓN: Asegúrese de que la corriente principal esté desconectada.4. Se requiere un lapso de “adaptación” de 24 horas. La mayoría de los ruidos asociados con un nuevo ventilador desaparecen en este lapso.5. Si se utiliza un kit de iluminación opcional, asegúrese de que los tornillos que sujetan las piezas de vidrio estén ajustados. Asegúrese de que las bombillas de luz no estén tocando ningún otro componente.6. No conecte el ventilador a un control o controles de velocidad variable de pared. No son compatibles con los motores de los ventiladores de techo o los controles remotos.7. Asegúrese de que la cubierta superior esté cerca del techo. No debe tocar el techo.
El ventilador tambalea.	<ol style="list-style-type: none">1. Verifique que todos los tornillos de las aspas y de los brazos de las aspas estén ajustados.2. La mayoría de los problemas de tambaleo de los ventiladores son provocados por la desigualdad de los niveles de las aspas. Verifique este nivel seleccionando un punto en el techo por encima del extremo de una de las aspas. Mida esta distancia. Haga girar el ventilador hasta posicionar la siguiente aspa para su medición. Repita con cada aspa. La desviación de la distancia debe ser igual dentro de 1/8 de pulgada.3. Utilice el Kit de Balanceo de las Aspas adjunto si el bamboleo de las aspas aún es perceptible.4. Si todavía se nota el bamboleo de las hojas, intercambiar dos hojas adyacentes (una al lado de la otra) puede redistribuir el peso y posiblemente resulte en una operación suave.
Mal funcionamiento del control remoto.	<ol style="list-style-type: none">1. Los ventiladores de techo con sistemas de control remoto NO PUEDEN operarse junto con ningún otro sistema de control SALVO un interruptor básico de encendido/apagado de pared, si así se desea.2. Asegúrese de que los interruptores DIP de frecuencia en el transmisor y el receptor estén configurados de forma idéntica.3. Asegúrese de que la antena negra del receptor NO esté enredada con ningún otro cable eléctrico y que esté extendida alrededor del interior de la marquesina del techo.

Información de la FCC:

Este dispositivo cumple con la parte 15 de las Reglas de la FCC. La operación es sujeta a las dos condiciones siguientes:

- 1) Este dispositivo no puede causar interferencia dañina, y
- 2) Este dispositivo debe aceptar cualquier interferencia recibida, incluyendo interferencias que puedan causar un funcionamiento no deseado.

Nota: Este equipo ha sido probado y cumple con los límites para un dispositivo digital de Clase B, de acuerdo con la parte 15 de las Reglas de la FCC. Estos límites están diseñados para proveer protección razonable contra interferencias dañinas en una instalación residencial. Este equipo genera, utiliza y puede irradiar energía de radiofrecuencia y, si no se instala y utiliza de acuerdo con las instrucciones, puede causar interferencias en las comunicaciones por radio. Sin embargo, no hay garantía que no se produzcan interferencias en una instalación en particular. Si este equipo causa interferencia perjudicial a la recepción de radio o televisión, que puede determinarse encender y apagar el equipo, se recomienda al usuario que intente corregir la interferencia mediante una o más de las siguientes medidas:

- Reorientar o reubicar la antena receptora.
- Aumente la separación entre el equipo y el receptor.
- Conecte el equipo a una toma de corriente en un circuito distinto al que está conectado el receptor.
- Consulte al distribuidor o a un técnico de radio / TV experimentado para obtener ayuda.

KICHLER®

www.kichler.com

Kichler Lighting LLC

30455 Solon Rd. Solon, OH 44139

SERVICIO DE ATENCIÓN AL CLIENTE 866.588.5706

8:00 AM A 5:00 PM HORA DEL ESTE, DE LUNES A VIERNES

REV 14-Jul-2022