



## **Side-by-Side Refrigerator**

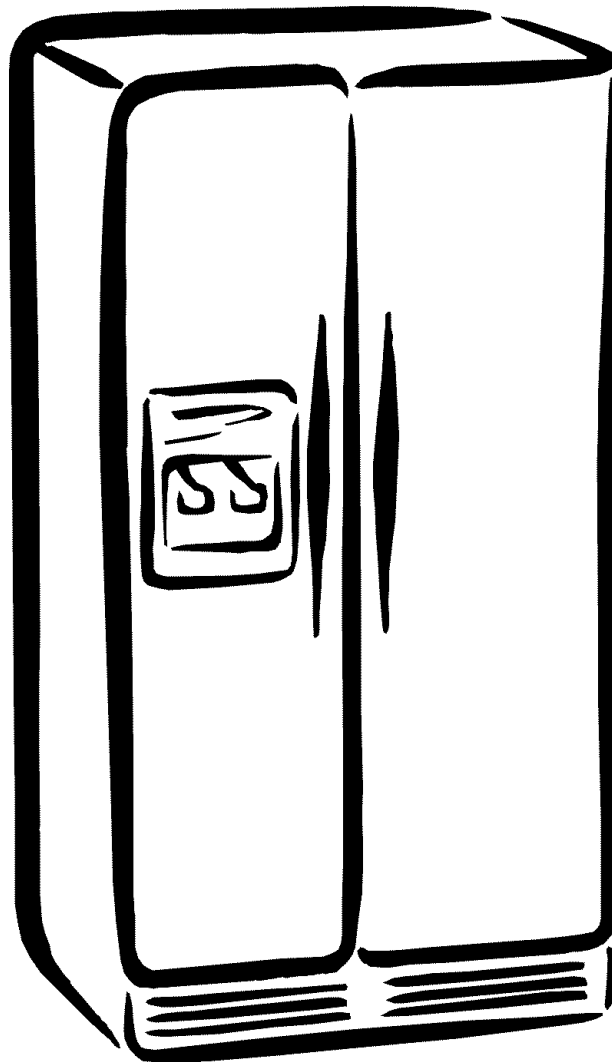
Use & Care Guide for Dispensing  
and Non-Dispensing Models

## **Refrigerador Dúplex**

Guía para el Uso y Cuidado de los  
Modelos Con y Sin Surtidor

## **Réfrigérateur à Compartiments Juxtaposés**

Guide D'utilisation et D'entretien pour les  
Modèles Avec et Sans Distributeur



Graphical representation of dispensing  
side-by-side refrigerator.


Representación gráfica del refrigerador  
dúplex con surtidor.

Représentation graphique du réfrigérateur  
à compartiments juxtaposés avec  
distributeur.

**ENGLISH**   **ESPAÑOL**   **FRANÇAIS**

## Electrical Requirements

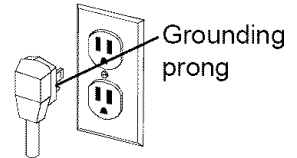
 Recognize this symbol as a safety precaution.

 **WARNING:** Do not use a two-prong adapter. Do not use an extension cord.

Electrical Grounding Instructions—This refrigerator is equipped with a three-prong (grounding) plug for protection against possible shock hazards. If you encounter a two-prong receptacle, contact a qualified electrician and have the two-prong wall receptacle replaced with a properly grounded three-prong wall receptacle in accordance with the National Electrical Code.

Refrigerator is designed to operate on a separate 103 to 126 volt, 15 amp., 60 cycle line.

Do not under any circumstances cut or remove the round grounding prong from the plug. Refrigerator must be grounded at all times. Do not remove warning tag from power cord.



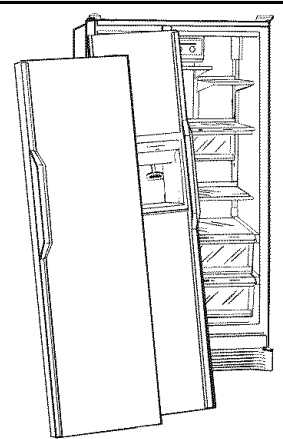
 **DANGER**

### Proper Disposal of Your Refrigerator

**IMPORTANT:** Child entrapment and suffocation are not problems of the past. Junked or abandoned refrigerators are still dangerous—even if they will sit for “just a few days”. If you discard an old refrigerator, please follow the instructions below to help prevent accidents.

**BEFORE YOU THROW AWAY YOUR OLD REFRIGERATOR OR FREEZER:**

- Take off the doors.
- Leave the shelves in place so children may not easily climb inside.



ENGLISH

## Warranty

### Full One Year Warranty on Refrigerator

For one year from the date of purchase, when this refrigerator is operated and maintained according to instructions attached to or furnished with it, Sears will repair it, free of charge, if defective in material or workmanship.

### Full Five Year Warranty on Sealed Refrigeration System

For five years from the date of purchase, when this refrigerator is operated and maintained according to instructions attached to or furnished with it, Sears will repair the sealed system (consisting of refrigerator, connecting tubing and compressor motor) free of charge, if defective in material or workmanship.

The above warranty coverage applies only to refrigerators which are used for storage of food for private household purposes. Excludes original and replacement Kenmore Filtered Ice & Water filter cartridges (if equipped with the filter system). Original and replacement cartridges are warranted for 30 days, parts only, against defects of material or workmanship.

Warranty service is available by contacting 1-800-4-MY-HOME (1-800-469-5811).

This warranty applies only while this product is in use in the United States.

This warranty gives you specific legal rights, and you may also have other rights, which vary from state to state.

Sears, Roebuck and Co, Dept 817WA, Hoffman Estates, IL 60179

## Read and Save These Instructions

Record in the space provided below the model and serial numbers found on the serial plate located on the top left wall of the refrigerator compartment.

Model Number: 596 \_\_\_\_\_

Serial Number: \_\_\_\_\_

Purchase Date: \_\_\_\_\_

# Contents

- Electrical Requirements ..... 2
- Proper Disposal of Your Refrigerator ..... 2
- Warranty ..... 2
- Read and Save These Instructions ..... 2
- Installation Checklist ..... 3
- Installation Instructions
  - Spacing Requirements ..... 3
  - Stabilize Refrigerator and Align Doors ..... 3
  - Removing Handles ..... 4
  - Removing Doors ..... 4
  - Install Water Filtration Cartridge (some models) ..... 5
  - Connecting Water Supply (some models) ..... 5
- Controls ..... 5
  - Refrigerator and Freezer Controls ..... 5
  - Setting Controls ..... 6
- Fresh Food Features ..... 6
  - Fresh Food Shelves ..... 6
  - Meat Drawer ..... 6
  - Crisper Drawers ..... 6
  - Bottle Rack (some models) ..... 7
  - Covered Storage Bucket (some models) ..... 7
  - Dairy Center ..... 7
  - Milk Savor ..... 7
  - Door Buckets and Shelves ..... 8
  - Adjustable Divider (some models) ..... 8
  - Tall Package Retainer (some models) ..... 8
- Freezer Features ..... 8
  - Automatic Ice Maker ..... 8
  - Food Organizer Storage ..... 9
  - Snack/Juice Shelf ..... 9
  - Ice and Water Dispenser (some models) ..... 9
- Care and Cleaning ..... 10
  - General Cleaning ..... 10
  - Adhesives ..... 11
  - Door Gaskets ..... 11
  - Condenser Coils ..... 11
  - Glass Shelves ..... 11
  - Odor Removal ..... 11
  - Light Bulb Replacement ..... 11
- Energy Tips ..... 12
- Vacation Tips ..... 12
- Normal Operating Sounds ..... 13
- Refrigerator Troubleshooting Guide ..... 14
- Español ..... 16
- Français ..... 31

- Make sure refrigerator is level from side to side and front to back.

### Ice Maker

- Water supply to refrigerator is connected and turned on.
- Water leaks are not present at connection between household water supply and refrigerator. (After 24 hours check connection for water leaks.)
- Ice maker arm is in *on* position for ice production. (It may take up to 24 hours for first harvest of ice.)

### Electrical

- Properly grounded 3-prong wall receptacle is used to plug in refrigerator.


### Water Filter (some models)

- Check that bypass cartridge has been removed from filtration unit and water filter installed (See water filter installation and operating instruction shipped with water filter.)
- Verify there are no water leaks around water filter head.
- If water filter is installed, water pressure to refrigerator must be a minimum of 35 psi.
- Retain bypass cartridge for use if water filter cartridge becomes clogged before a replacement can be purchased.

## Installation Instructions

Proper installation will ensure this refrigerator operates most efficiently.

### Spacing Requirements


WARNING

To avoid severe personal injury or death, keep flammable materials and vapors, such as gasoline, away from refrigerator.

- To ensure proper ventilation for your refrigerator, allow for a 1" (2.5 cm) space at the top and sides of your refrigerator.
- If your referigerator has an ice maker, make sure you leave some extra space at the back to allow for the water line connection. The refrigerator can be flush with the back wall if you do not have an ice maker installed.
- If you are installing your refrigerator next to a fixed wall, leave 2 3/4" (7 cm) minimum on each side (depending on your model) to allow for the door to swing open 90°.

**NOTE:** Do not install the refrigerator near an oven, radiator, or other heat source, nor in a location where the temperature will fall below 55°F (13°C).

### Stabilize Refrigerator and Align Doors

If refrigerator rocks or is not stable on floor perform the following:

## Installation Checklist

Verify the following has been completed to ensure proper operation of your refrigerator.

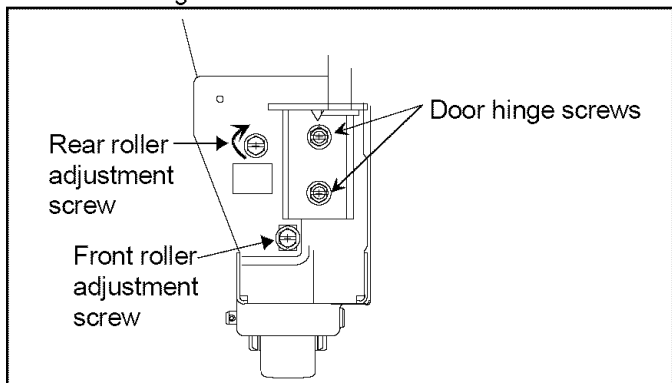
### Doors

- Handles are solidly attached if removal or reversal of handles was necessary.
- Doors seal completely to refrigerator cabinet.
- Doors are aligned squarely.

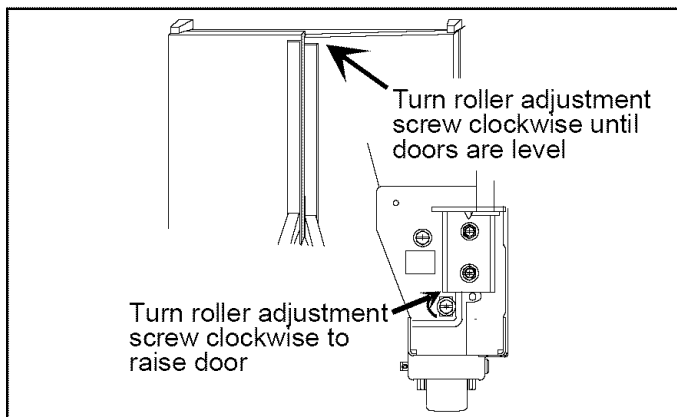
### Leveling

- Refrigerator is tilted 1/4" (6 mm) higher from front to rear.
- Make sure doors are level at the top of the refrigerator doors.

- Determine which rear corner is rocking.
- Remove toe grille to gain access to roller adjustment screws.
- Turn roller adjustment screw clockwise to raise corner that is rocking.



- Check alignment of top of doors. If doors are level replace toe grille.
- If tops of doors are not level perform the following steps:
- Determine which door must be raised (if toe grille has not been removed, remove at this time).
  - Turn front roller adjustment screw clockwise to raise front corner of door that needs to be raised. Roller adjustment screw should be turned until doors are level.
  - Replace toe grille.



### Removing Handles

#### Tools Required

Putty knife (blade covered by masking tape)

$\frac{5}{16}$ " (8 mm) hex nut driver

$\frac{3}{8}$ " (9.5 mm) hex nut driver

Phillips screwdriver

Blade screwdriver

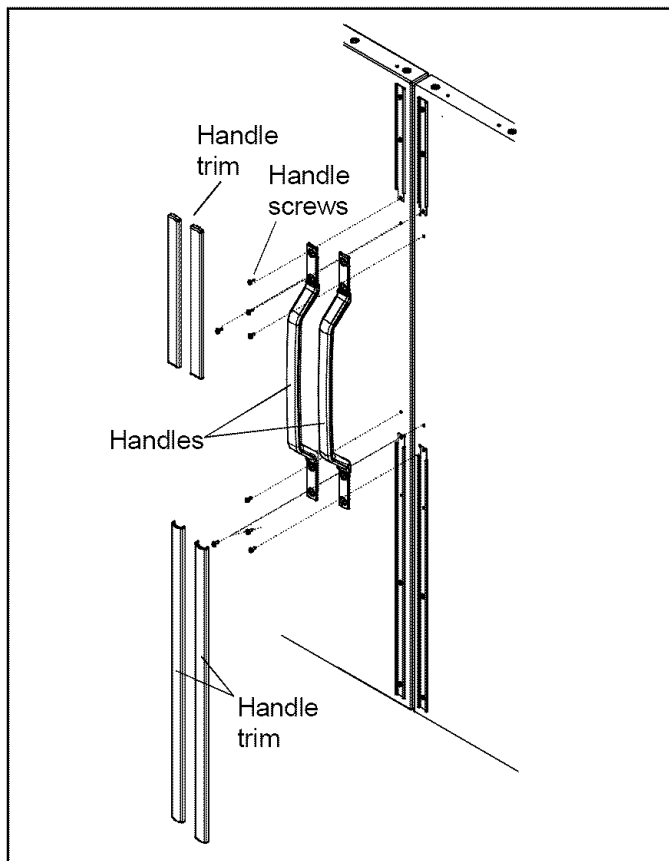


### WARNING

To avoid electrical shock which can cause severe personal injury or death, disconnect power to refrigerator before removing doors. After replacing doors, connect power.

Some installations may require handle removal to get the refrigerator into the home. If so, perform the following:

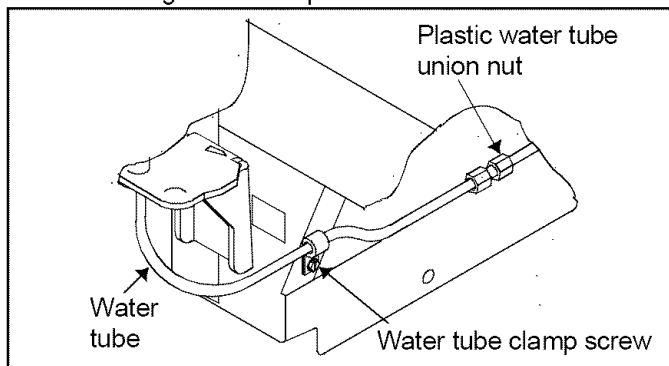
- Pry up edge of handle trim using a putty knife, with the blade end covered in masking tape. Remove handle from door by removing 2 mounting screws at each end of handle.



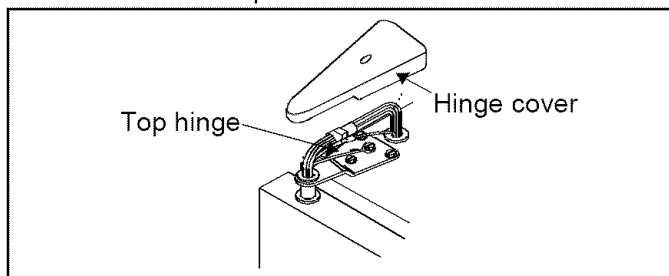
### Removing Doors

Some installations may require door removal to get the refrigerator into the home. If so, perform the following steps:

1. Remove toe grille.
2. **For ice and water dispensing units only.** Loosen water tube clamp screw. Loosen plastic water tube union nut. Pull water tube away from union nut and through tube clamp.



3. Remove top hinge screw by removing hinge cover screw with a Phillips screwdriver.



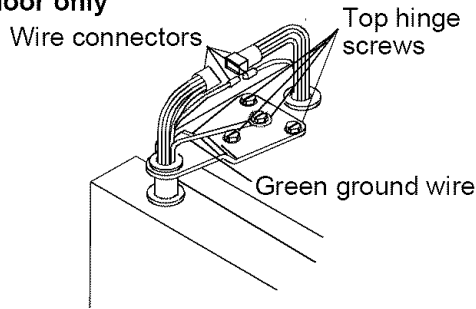


## WARNING

To avoid electrical shock which can cause severe personal injury or death, green ground wire must remain attached to hinge.

- Unplug top hinge wire connectors. Do not remove green ground wire from hinge (Freezer door ice and water dispensing units only). Remove top hinge screws. Carefully lift and remove top hinges.

### Freezer door only



- Carefully lift doors off bottom hinge.
- Replace doors by performing steps 1–5 in reverse order.

## Install Water Filtration Cartridge (some models)

Bypass cartridge must be removed before connecting water to unit.

- Remove bypass cartridge from water filter head in rear right corner of refrigerator section. Twist cartridge counterclockwise  $\frac{1}{4}$  turn and pull down to remove. Save bypass for use at a later date.
- See Water Filtration System Installation and Operating Instructions provided with water filter cartridge for filter installation and operation.

## Connecting Water Supply (some models)



## WARNING

To avoid electrical shock which can cause severe personal injury or death, disconnect power to refrigerator before connecting water supply. After connecting water supply, connect power.



## CAUTION

To avoid property damage, observe the following:

- Verify that bypass cartridge has been removed and replaced with water filter in water filter assembly.
- Confirm water pressure to water valve is between 20 and 120 pounds per square inch.
- Tighten nut by hand to avoid cross threading. Finish tightening nuts with pliers and wrenches. Do not overtighten.
- Check for water leaks and correct if necessary before returning refrigerator to normal location and 24 hours after connecting.
- If water filter will be installed, water pressure to water valve must be a minimum of 35 pounds per square inch.

## Important

- Before connecting water supply, contact a plumber to connect copper tubing to household plumbing in compliance with local codes and ordinances.
- Do not use a self-piercing or  $\frac{3}{16}$ " (4.8 mm) saddle valve. Both reduce water flow, can develop sediment build up, and may cause leaks if repair is attempted. The correct type of shut off valve requires a  $\frac{1}{4}$ " (6.35 mm) hole to be drilled in water supply pipe prior to valve attachment.
- Do not use plastic tubing.
- Do not run tubing from water supply in a location where the temperature may fall below 55° F.

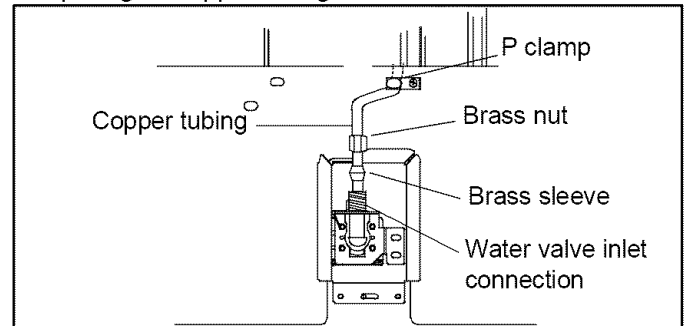
## Materials Required

$\frac{1}{4}$ " (6 mm) flexible copper tubing

Length of copper tubing must reach from water supply connection plus an additional 8' (2 m) for service loop behind refrigerator.

## Procedure

- Remove plastic cap from water valve inlet port. Place brass nut and brass sleeve on copper tubing. Insert copper tubing into water valve inlet port. Hand-tighten brass nut on copper tubing to water valve inlet port. Use a wrench to finish tightening nut. Be careful not to overtighten nut. Confirm copper tubing is secure by pulling on copper tubing.



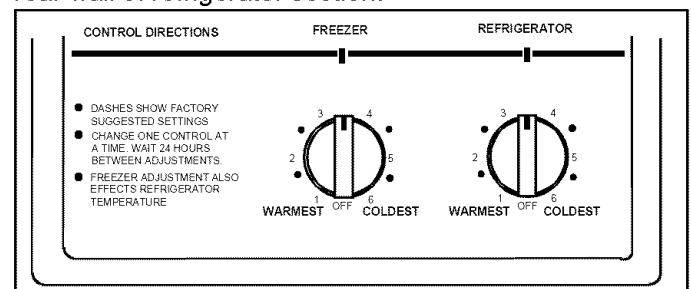
- Create service loop using extreme care to avoid kinks. **Secure copper tubing to refrigerator cabinet with "P" clamp.**
- Turn on water supply to refrigerator and check for leaks. Correct any leaks.
- Push refrigerator into opening. Recheck for leaks after 24 hours.

## Controls

This refrigerator is designed to operate at normal household temperatures of 55° to 110°F (13° to 43°C).

## Refrigerator and Freezer Controls

Refrigerator and freezer controls are located on upper rear wall of refrigerator section.



## Setting Controls

When freezer control is set to *OFF*, neither refrigerator nor freezer sections will cool. Initially, set both controls to 4. Wait 24 hours for refrigerator and freezer sections to reach desired temperatures. After 24 hours, adjust controls, one number at a time, as desired. On control, 1 is warmest setting and 6 is coldest.

Set controls with a household thermometer that includes temperatures between -5° and 50°F (-21° and 10°C).

Put thermometer snugly between frozen packages in freezer section. Wait 5–8 hours. If freezer temperature is not 0° to 2°F (-17° to -16°C), adjust freezer control, one number at a time. Check again after 5–8 hours.

Put thermometer in a glass of water in middle of refrigerator section. Wait 5–8 hours. If refrigerator temperature is not 38° to 40°F (3° to 4°C), adjust refrigerator control, one number at a time. Check again after 5–8 hours.

## Fresh Food Features

### Fresh Food Shelves

Shelves adjust up or down to meet individual storage needs. Models feature spill saving shelves. Some models also feature slide out shelves.



### CAUTION

To avoid property damage, confirm shelf is secure before placing items on shelf.

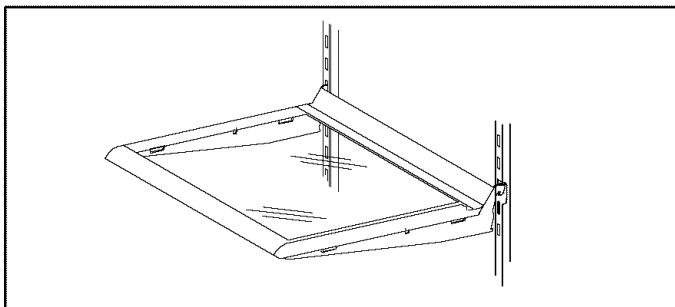


### CAUTION

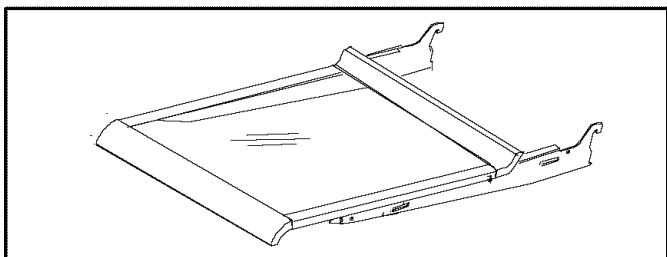
To avoid personal injury or property damage, handle tempered glass shelves carefully. Shelves may break suddenly if nicked, scratched, or exposed to sudden temperature change.

Spill saving shelves hold simple spills for easier cleaning.

- Remove shelves by lifting front, releasing hooks from metal track then pulling out.
- Replace shelves by inserting hooks into metal track and lowering front.



Slide out shelves pull forward for easy access of items in back.

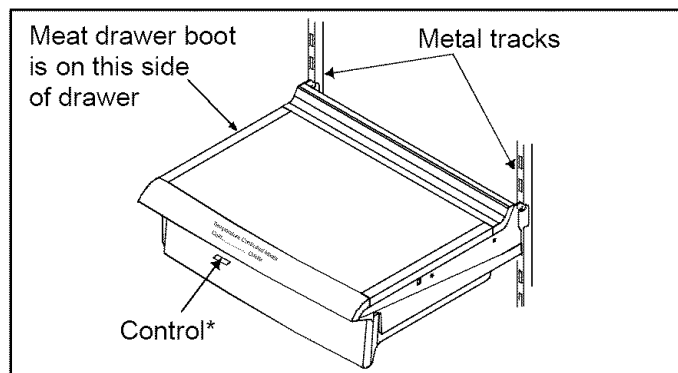


## Meat Drawer

The meat drawer features a drawer inside a sleeve. Air circulates between drawer and sleeve. This system keeps food fresh longer and up to 5°F (3°C) colder than refrigerator temperature.

Meat drawer control(some models) is located below front shelf trim. Control adjusts amount of air circulating around drawer. Slide control to *COLD* for normal refrigerator temperature and to *COLDER* for colder temperature. Ice crystals may form on drawer or food on *COLDER* setting. Cold air can decrease refrigerator temperature. Refrigerator control may need to be adjusted.

- Remove drawer by lifting and pulling out. Remove shelf by lifting front, releasing hooks from metal track then pulling out.
  - Replace shelf by inserting hooks into metal track\* and lowering front. Replace drawer by sliding in.
- \* If your drawer has a temperature control, use slots 8 through 11 only. Confirm boot is over air inlet in side wall.

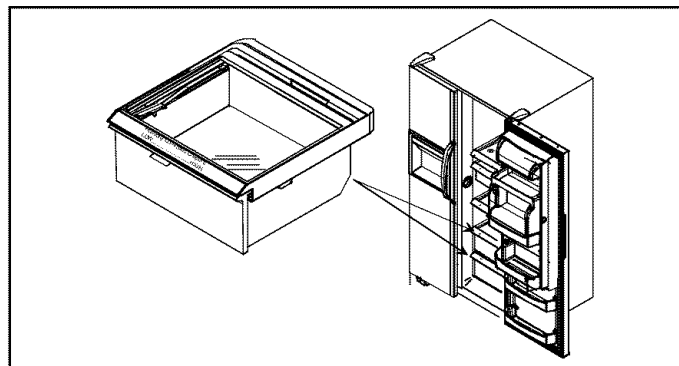


\*some models

## Crisper Drawers

Crisper drawers keep produce fresh longer. Wrap produce tightly. Do not wash produce before placing in crispers. Excess moisture could cause produce to spoil prematurely. Do not line crispers with paper towels. Paper towels will retain moisture.

Crisper drawer control(some models) are located below front shelf trim. Control adjusts humidity in crispers. Slide control to *HIGH* for produce with leaves such as lettuce, spinach or cabbage. Slide control to *LOW* for produce with skins such as cauliflower, corn or tomatoes.





## CAUTION

To avoid personal injury or property damage, handle tempered glass shelves carefully. Shelves may break suddenly if nicked, scratched, or exposed to sudden temperature change.

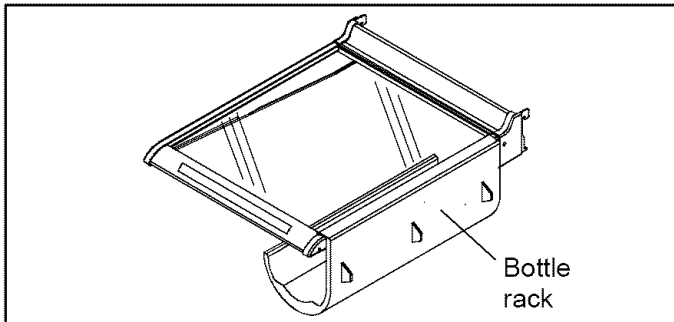
Remove shelf and crisper drawers by completing the following steps:

1. Open crisper.
2. Remove shelf by gently pushing up from underneath. Tilt one end up then pull out.
3. Remove crisper by lifting front while supporting underneath then pulling out.
4. Replace crispers and shelf by reversing steps 1–3.

### Bottle Rack (some models)

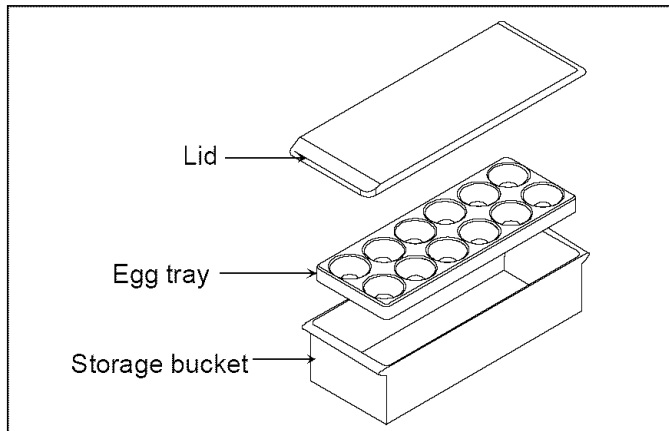
Bottle rack provides convenient storage for a large bottle, eggs, etc.

- Hang rack by hooking over side of shelf.



### Covered Storage Bucket (some models)

Storage bucket has a lid and removable egg tray. When tray is removed, bucket will accept items such as a standard egg carton, ice, etc.

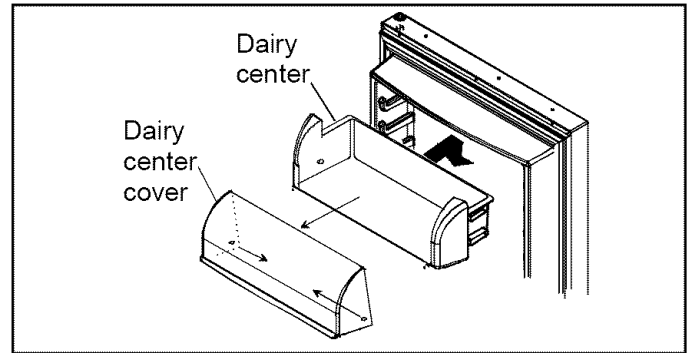


### Dairy Center

Dairy center provides convenient storage for items such as butter, cheese, etc.

Dairy center is adjustable to accommodate storage needs. Dairy center may also be removed for cleaning. To remove dairy center perform the following steps:

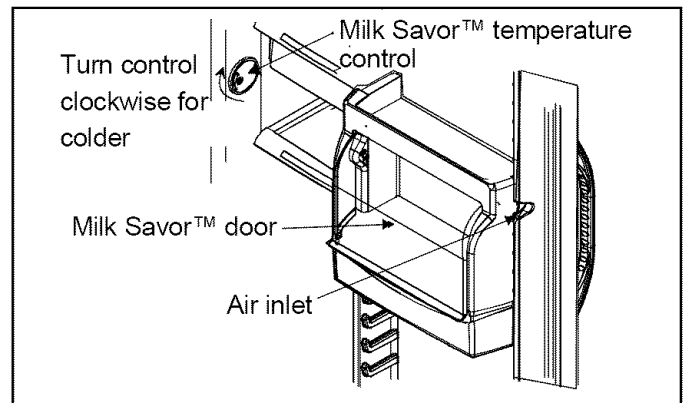
- Remove dairy center cover by opening cover. Push cover inward at pivot points and pull cover out. Lift dairy center up and pull out to remove.
- Replace dairy center by reversing procedure.



### Milk Savor™

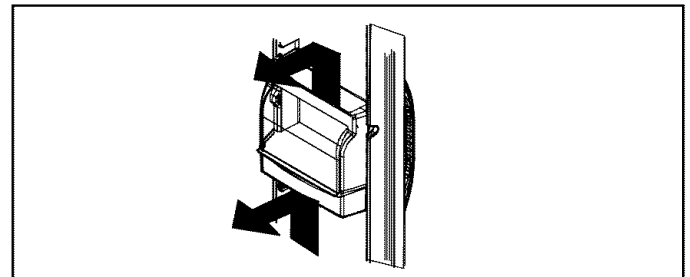
The Milk Savor™ keeps beverages up to 5°F (3°C) colder than refrigerator section. Air inlet allows air from freezer section to pass to Milk Savor™. Air inlet is located on interior wall of refrigerator door.

Milk Savor™ control is located on left front wall of refrigerator section. Control adjusts amount of air circulating in Milk Savor™. Turn control to *COLD* for normal refrigerator temperature and to *COLDER* for colder temperature.

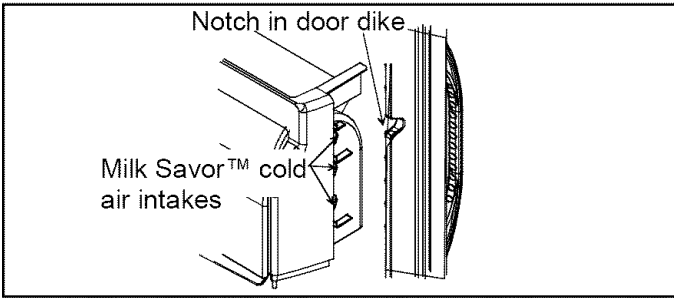


Milk Savor™ position is adjustable to accommodate storage needs. Milk Savor™ may also be removed for cleaning. To remove Milk Savor™ perform the following steps:

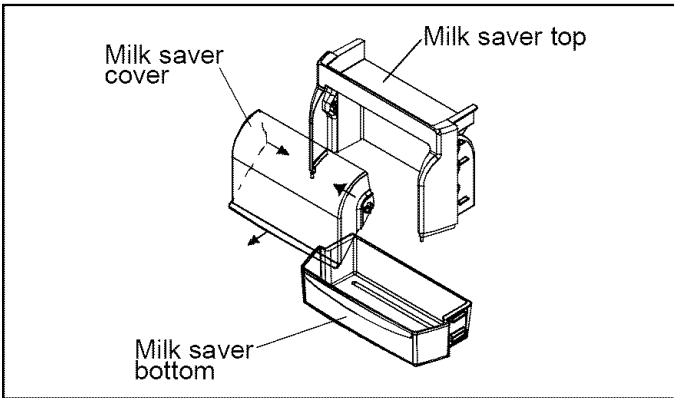
1. Grasp Milk Savor™ by sides, lift up and pull out to remove. Remove bottom of Milk Savor™ by pushing up and pulling out.



2. To replace Milk Savor™, slide Milk Savor™ bottom between desired shelf rails in door liner and push down into place. Slide Milk Savor™ top between desired shelf rails in door liner and push Milk Savor™ top down into place over Milk Savor™ bottom.
  - Notch in door dike must line up with one of Milk Savor™ cold air intakes holes.



- Remove Milk Savor™ cover by opening cover. Push cover inward at pivot points and pull cover out. Replace cover by reversing procedure.



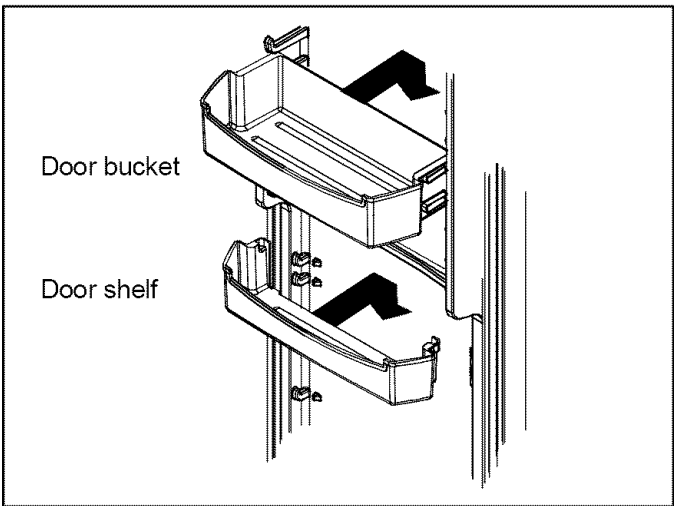
**Door Buckets and Shelves**

Door buckets adjust to meet individual storage needs.

**CAUTION**

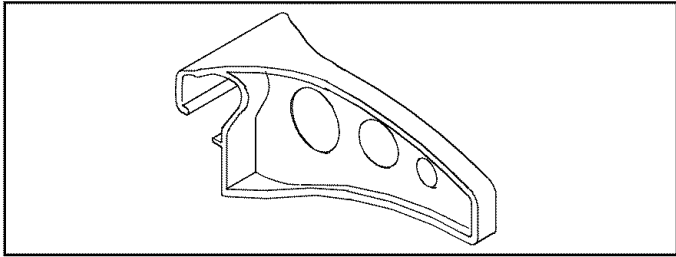
To avoid property damage, confirm shelf is secure before replacing items on shelf.

- Remove door buckets by pushing bucket up and pulling out.
- Replace door buckets by sliding bucket in between shelf rails and pushing door bucket down into place.



**Adjustable Divider (some models)**

Adjustable divider keeps items in place and adjusts to meet individual storage needs. Divider fits in any door bucket or door shelf.

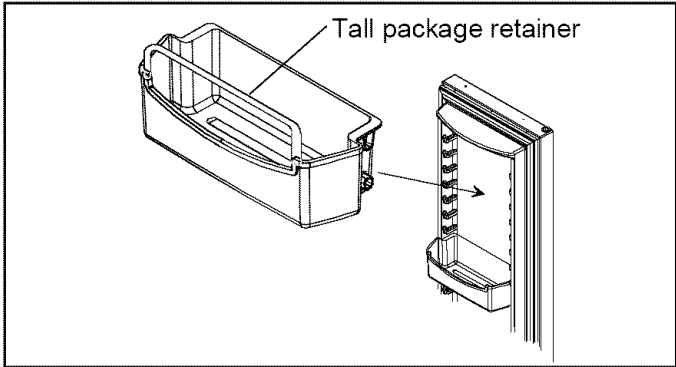


**Tall Package Retainer (some models)**

Tall package retainer keeps tall items secure. Retainer fits in any door bucket. Tall package retainers in refrigerator door shelves are adjustable for two different heights.

To install, insert tall package retainer in holes in each side of door bucket or shelf front.

- Install tall package retainer with knobs on retainer facing outward for tall setting.
- For lower setting, install tall package retainer with knobs on retainer facing inward. Knobs slide into slots in retainer holes on inside front of bucket.



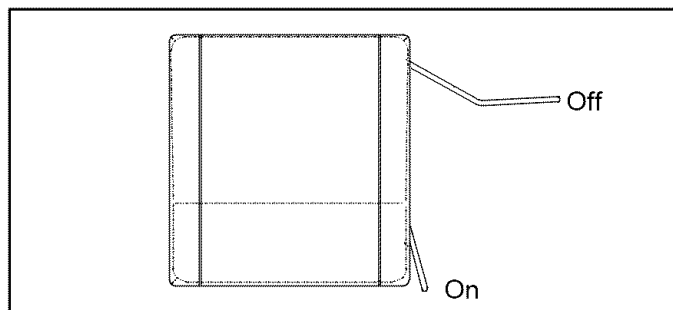
**Freezer Features**

**Automatic Ice Maker**

- Confirm ice bucket is in place and ice maker arm is down.
- After freezer section reaches normal temperature, ice maker fills with water and begins operating. Allow 24–48 hours after installation before first harvest of ice. Ice maker produces 7–9 harvests of ice in a 24-hour period under ideal conditions.
- After ice is formed, ice maker drops ice cubes into ice storage bucket. During ice production, ice maker arm raises and lowers. When ice storage bucket is full, ice maker arm turns ice maker off.

**Note:** Discard first 3 harvests of ice after initially connecting refrigerator to household water supply and after extended periods of non-use. This will prevent the consumption of any impurities left in the line or use of off-taste ice.

- If you wish to stop ice production, raise ice maker arm. An audible click is heard when proper position is reached. Ice maker arm will remain in off position until pushed down.



**CAUTION**

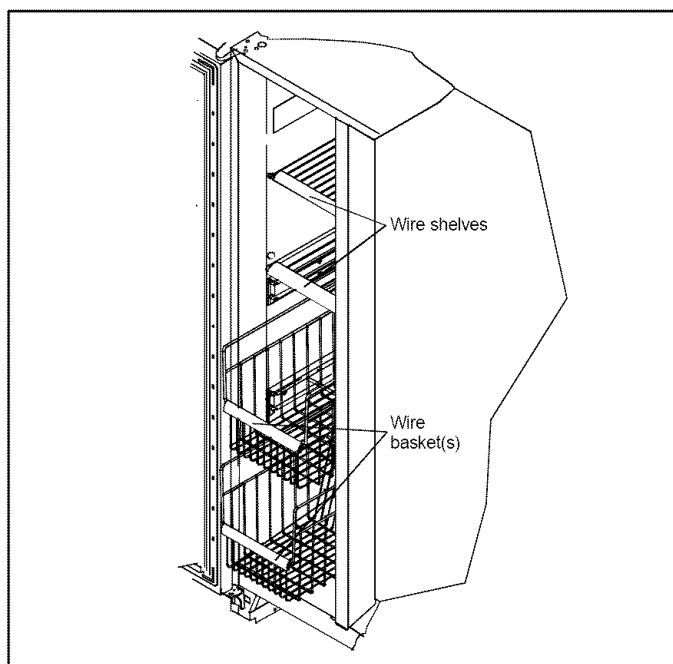
To avoid damage to ice maker, observe the following:

- Do not force ice maker arm down or up.
- Do not place or store anything in ice storage bucket.

### Food Organizer Storage

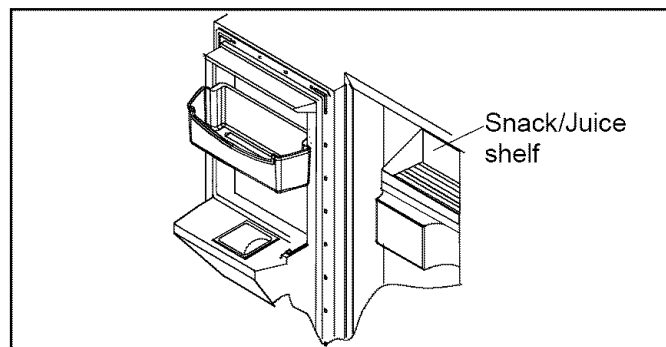
Wire baskets slide out for easy access of items in back. Wire baskets and wire shelves can be rearranged to meet individual storage needs.

- Remove shelves and baskets by lifting front of shelf and pulling out.
- Replace shelves and baskets by placing shelves and baskets on side rails. Slide shelves and baskets right and back until round knob is behind stop on rail.
- Remove shelf by lifting right side of shelf out of clips and pulling out of left side mounting holes. Reverse procedure to reinstall shelf.



### Snack/Juice Shelf

Snack/Juice shelf provides convenient storage for frozen juices and snacks. Snack/Juice shelf may be removed for cleaning.



### Ice and Water Dispenser (some models)

**CAUTION**

To avoid personal injury or property damage, observe the following instructions:

- Do not operate dispenser with freezer door open.
- Do not put fingers, hands, or any foreign object into dispenser opening.
- Do not use sharp objects to break ice.

### Water Dispenser Operation

It takes approximately 1 minute after initially connecting refrigerator to household water supply before water dispenses. Discard first 10 to 14 containers of water after initially connecting refrigerator to household water supply and after extended periods of non-use.

- Dispense water by pressing sturdy wide-mouthed container against water dispenser bar.
- Stop water dispensing by releasing pressure on bar. A small amount of water may continue to fall. Spill shelf is not self-draining. Large spills should be wiped dry.

### Ice Dispenser Operation

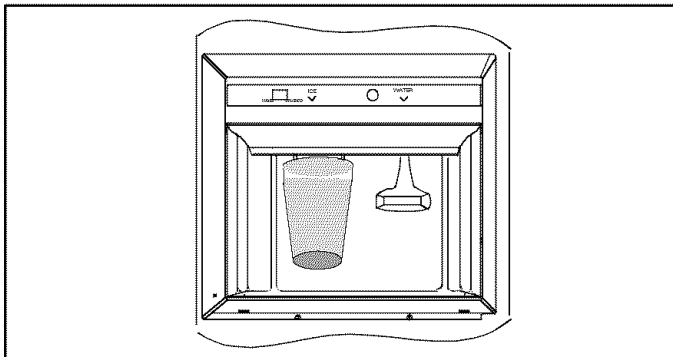
**CAUTION**

To avoid personal injury or property damage, do not dispense ice directly into thin glass, fine china, or delicate crystal.

- Select cubed or crushed mode by sliding lever on dispenser panel. Dispense ice by pressing wide-mouthed container against ice dispenser bar.



**Important:**  
 Reduce spraying of crushed ice by holding wide-mouthed container directly under ice chute and as high as possible in dispenser area.



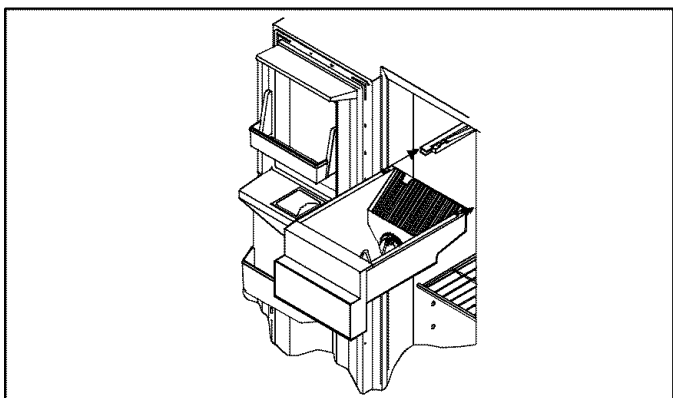
If a large quantity of ice is desired, remove ice directly from the ice bin. If dispensing ice continuously, dispenser motor is designed to shut off after 3 to 5 minutes. Motor resets after 3 minutes and dispensing can continue.

A slight delay occurs when switching between cubed and crushed modes. Pieces of crushed ice will vary in size and shape. "Snow" may form on door and ice chute when repeatedly dispensing crushed ice. Allow "snow" to evaporate or wipe dry.

**Note:** Dispenser operates only with cubes of proper size and crescent shape. Do not add purchased ice cubes or other shaped cubes to ice bucket.

**Removing Ice Bucket**

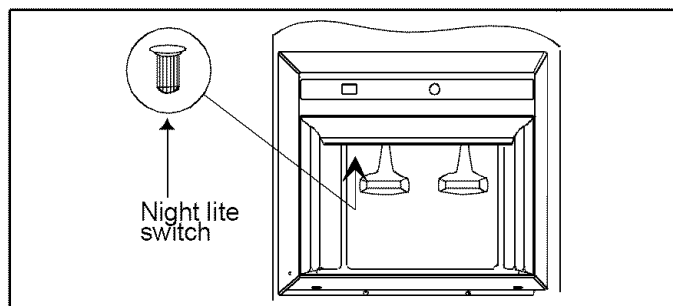
- Remove ice bucket by lifting bucket and pulling out.
- Replace ice bucket by sliding in until bucket locks in place. Ice bucket must be locked in place for proper ice dispensing. If freezer door does not close, bucket is not in proper location.



**Dispenser Light**

A light is activated when dispensing ice or water.

- Deactivate night light by pushing switch, located underneath dispenser and left of ice dispenser bar.



**Taste and Odor**

Observe the following to minimize taste and odor difficulties:

- Discard first 3 harvests of ice after initially connecting refrigerator to household water supply and after extended periods of non-use. This will prevent the consumption of any impurities left in the line or use of off-taste ice.
- Wrap foods in tightly sealed containers or moisture proof bags.
- Install water filter on water line.
- Contact local water treatment company for specialized help if difficulties persist.
- Discard ice if left unused for an extended period.

**Care and Cleaning**

**⚠ WARNING**

To avoid electrical shock which can cause severe personal injury or death, disconnect power to refrigerator before cleaning. After cleaning, connect power.

**⚠ CAUTION**

To avoid personal injury or property damage, read and follow all cleaning product manufacturer's directions.

**General Cleaning**

1. Wash interior and exterior surfaces with 4 tablespoons baking soda dissolved in 1 quart warm water and a soft, clean cloth.
2. Rinse surfaces with warm water. Dry surfaces with a soft, clean cloth.
  - Do not use the following items:
    - abrasive or harsh cleaners, ammonia, chlorine bleach, etc.
    - concentrated detergents or solvents
    - metal scouring pads

These items can scratch, crack and discolor surfaces.

  - Do not place buckets, shelves, etc. in dishwasher.



## Adhesives

1. Remove glue residue by rubbing toothpaste into adhesive with fingers until adhesive loosens.
2. Rinse surface with warm water. Dry surface with a soft, clean cloth.

## Door Gaskets

1. Clean door gaskets every 3 months according to "General Cleaning" instructions above. Clean any spills immediately.
2. Apply a light film of petroleum jelly to keep gaskets pliable.

## Condenser Coils

Clean condenser coil every 3 months to ensure maximum performance of refrigerator. Accumulated dust and lint may cause the following:

- reduced cooling performance
  - increased energy usage
  - premature compressor failure
1. Remove lower front toe grille by holding ends and pulling forward.
  2. Clean front surface of condenser coil with a vacuum cleaner hose nozzle.
  3. Replace toe grille by inserting clips in holes and snapping in.

### ⚠ CAUTION

To avoid property damage, protect soft vinyl or other flooring with cardboard, rugs, or other protective material.

4. Pull refrigerator away from wall. Run a vacuum brush across condenser fan outlet grille on back of refrigerator.

## Glass Shelves

### ⚠ CAUTION

To avoid personal injury or property damage, handle tempered glass shelves carefully. Shelves may break suddenly if nicked, scratched, or exposed to sudden temperature change.

Remove shelf by lifting front, releasing hooks from metal track then pulling out. Place shelf on a towel. Allow shelf to adjust to room temperature before cleaning.

Clean crevices by completing the following steps:

1. Dilute mild detergent and brush solution into crevices using a plastic bristle brush. Let set for 5 minutes.
2. Spray warm water into crevices using faucet spray attachment.
3. Dry shelf thoroughly and replace shelf by inserting hooks into metal track and lowering front.

## Odor Removal

1. Remove all food and disconnect power to refrigerator.

2. Clean all interior surfaces including ceiling, floor, and walls according to "General Cleaning" instructions. Pay special attention to corners, crevices, and grooves. Include all drawers, shelves, and gaskets.
3. Connect power to refrigerator and return food to refrigerator. Wash and dry all bottles, containers and jars. Wrap foods in tightly sealed containers to prevent further odor. After 24 hours, check if odor was eliminated.

Complete the following steps if odor was not eliminated.

4. Place crispers on top shelf of Fresh Food section. Pack Fresh Food and freezer sections including doors with crumpled sheets of black and white newspaper.
5. Place charcoal briquettes randomly throughout newspaper.
6. Close doors and let stand 24–48 hours.
7. Remove charcoal briquettes and newspapers.
8. Complete steps 2–3.

Contact Sears service center if odor was still not eliminated. Refer to service section for phone number.

## Light Bulb Replacement

### ⚠ WARNING

To avoid electrical shock which can cause severe personal injury or death, disconnect power to refrigerator before replacing light bulb. After replacing light bulb, connect power.

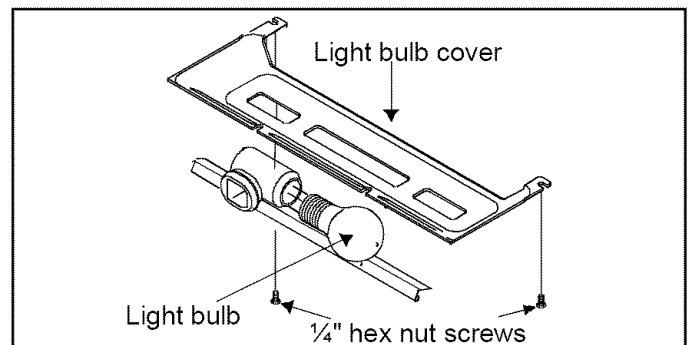
### ⚠ CAUTION

To avoid personal injury or property damage, observe the following:

- Allow light bulb to cool.
- Wear gloves when replacing light bulb.

## Upper Fresh Food and Non-Dispensing Freezer Section

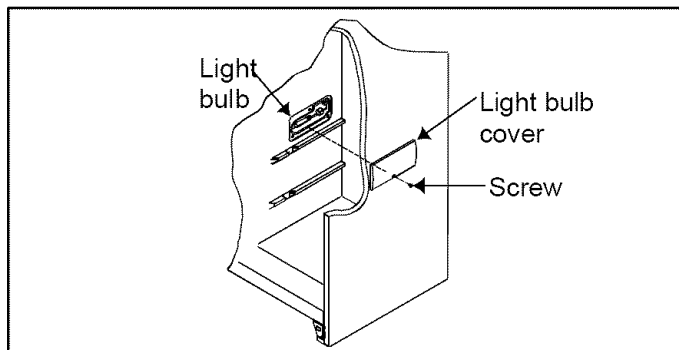
- Remove light bulb cover by removing ¼" hex nut screws. Replace bulb with 60-watt appliance bulb.
- Replace light bulb cover by replacing ¼" hex nut screws.



## Lower Fresh Food Section (some models)

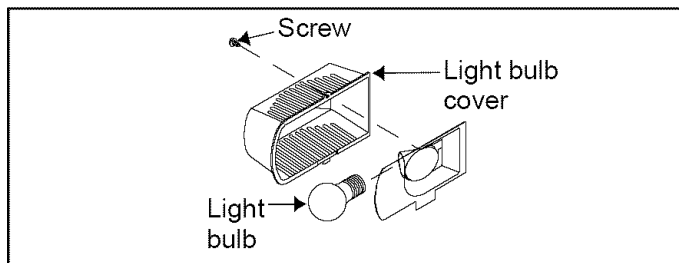
- Remove light bulb cover by removing screw. Replace bulb with 40-watt tubular bulb.

- Replace light bulb cover by placing cover over light bulb. Insert and tighten screw.



**Freezer Section**

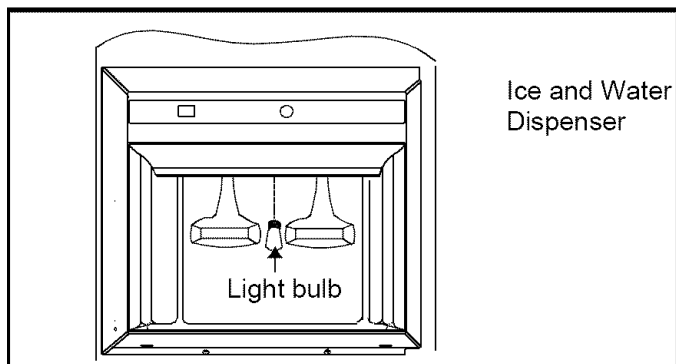
1. Remove ice bucket by lifting bucket and pulling out.
2. Remove light bulb cover by removing 1/4" hex nut screw. Replace bulb with 60-watt appliance bulb.
3. Replace light bulb cover by holding cover in place over light bulb. Insert and tighten screw.
4. Replace ice bucket by sliding in until bucket locks in place.



**Ice and Water Dispenser (some models)**

Light bulb is located between dispenser arms.

- Remove light bulb by unscrewing light bulb. Replace light bulb with a 6-watt, 120-volt bulb.
- Replace light bulb by inserting and tightening bulb.



- Keep door gaskets clean and pliable. Replace gaskets if worn.
- Keep condenser coils clean.

**Vacation Tips**

Complete the following steps for short vacations.

1. Remove perishable foods.
2. If an ice maker is installed, move ice maker arm up, to *Off* position. (See *Automatic Ice Maker Instructions*)

Complete the following steps for long vacations.

1. Empty refrigerator and freezer sections.
2. Unplug refrigerator.
3. Clean refrigerator and door gaskets according to *General Cleaning* in *Care and Cleaning* section.
4. Prop doors open, so air can circulate inside.
5. If an ice maker is installed, turn water supply to refrigerator off and move ice maker arm up, to *Off* position.

**Energy Tips**

This refrigerator is designed to be one of the most energy efficient refrigerators available. Reduce energy use by observing the following.

- Operate in normal household temperatures of 55° to 110°F (13° to 43°C) away from heat sources and direct sunlight.
- Set refrigerator, freezer, and temperature controlled meat drawer controls no colder than necessary.
- Keep freezer section full.

## Normal Operating Sounds

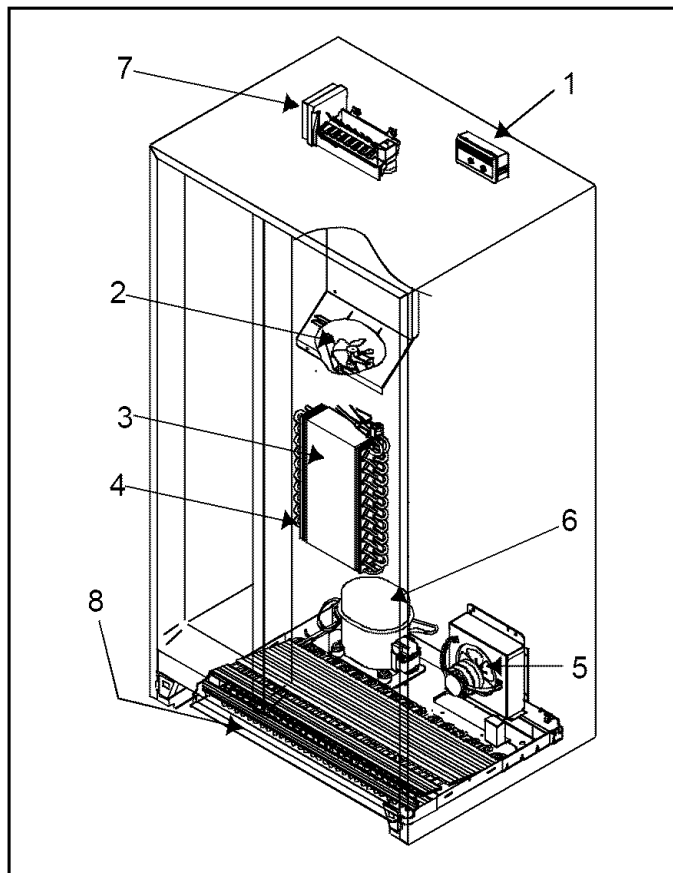
This new refrigerator may be replacing a differently designed, less efficient or smaller refrigerator. Today's refrigerators have new features and are more energy efficient. As a result, certain sounds may be unfamiliar. These sounds are normal and will soon become familiar. These sounds also indicate refrigerator is operating and performing as designed.

1. **Freezer control** clicks when starting or stopping compressor.
2. **Freezer fan** air rushes and whirs.
3. **Sealed system** (evaporator and heat exchanger) refrigerant flow gurgles, pops or sounds like boiling water.
4. **Defrost heater** sizzles, hisses or pops. Defrost heater wraps around bottom and left side of evaporator.
5. **Condenser fan** air rushes and whirs.
6. **Compressor** has a high pitched hum or pulsating sound that cycles on and off.
7. **Ice cubes** from ice maker (some models) drop into ice bucket.

**Ice auger motor** (Ice and water dispenser models) hums as auger agitates ice during dispensing. Ice auger motor is located behind ice bucket in freezer section. (Not shown)

**Ice maker water valve hookup** (some models) buzzes when ice maker fills with water. This occurs whether or not refrigerator is connected to water supply. If refrigerator is not connected to water supply, stop sound by raising ice maker arm to off position. Water valve hookup is located in back, bottom, left hand corner. (Not shown)

**Foam insulation** is very energy efficient and has excellent insulating capabilities. However, foam insulation is not as sound absorbent as previously used fiberglass insulation. (Not shown)



ENGLISH

# Refrigerator Troubleshooting Guide


ENGLISH


Problem	Solution
Refrigerator does not operate.	<ul style="list-style-type: none"> <li>• Make sure freezer control is on.</li> <li>• Make sure refrigerator is plugged in. If not, firmly plug the cord into a live outlet with proper voltage.</li> <li>• Check fuse or circuit breaker. Plug in another item at that wall outlet. If outlet does not work, replace the fuse or reset the circuit.</li> <li>• If freezer control is on, light works but 2 fans and compressor are not operating, refrigerator may be in defrost cycle. Wait 40 minutes to see if refrigerator restarts.</li> </ul>
Refrigerator still will not operate.	<ul style="list-style-type: none"> <li>• Unplug refrigerator. Transfer food to another refrigerator or place dry ice in freezer section to preserve food. Call for service.</li> </ul>
Food temperature appears too warm.	<ul style="list-style-type: none"> <li>• See above sections.</li> <li>• Allow time for recently added warm food to reach refrigerator or freezer temperature. Adding food warms the refrigerator. It can take a few hours for the refrigerator to return to normal temperature.</li> <li>• Check gaskets for proper seal. Gaskets should seal tightly to cabinet.</li> <li>• Clean condenser coils. See "Condenser Coils" instructions in "Care and Cleaning" section.</li> <li>• Adjust refrigerator and or freezer control. See "Setting Controls" instructions in "Controls" section.</li> <li>• Freezer or refrigerator light stays on. If light stays on, call service.</li> <li>• Return air vents behind crisper are blocked restricting airflow. Locate return air vent behind crispers and remove any debris that blocks vents or restricts airflow.</li> </ul>
Meat drawer temperature is too warm(some models).	<ul style="list-style-type: none"> <li>• Slide control to colder setting.</li> <li>• Adjust freezer control to colder setting. See "Setting Controls" instructions of "Controls" section.</li> <li>• Verify temperature controlled meat drawer cap has been moved if drawer has been moved from left to right side of cabinet. See "Meat Drawer" section.</li> </ul>
Food temperature is too cold.	<ul style="list-style-type: none"> <li>• Clean condenser coils. See "Condenser Coils" instructions in "Care and Cleaning section.</li> <li>• Adjust refrigerator control. See "Setting Controls" instructions in "Controls" section.</li> <li>• Adjust freezer control to warmer setting. See "Setting Controls" instructions in "Controls" section. Allow several hours for temperature to adjust.</li> <li>• Verify plastic cap is in place near temperature controlled meat drawer. See "Meat Drawer" section.</li> </ul>
Refrigerator runs too frequently.	<ul style="list-style-type: none"> <li>• It may be normal to maintain constant temperature.</li> <li>• Doors have been opened frequently or for an extended period of time. When the door is opened warm humid air is allowed into the refrigerator. The more the door is opened the more warm air the refrigerator must cool.</li> <li>• Allow time for recently added warm food to reach refrigerator or freezer temperature. It can take a few hours for the refrigerator to return to normal temperature.</li> <li>• Clean condenser coils. See "Condenser Coils" instructions in "Care and Cleaning" section.</li> <li>• Adjust freezer control. See "Setting Controls" instructions in "Controls" section.</li> <li>• Check gaskets for proper seal. Gaskets should seal tightly to cabinet.</li> <li>• Freezer light stays on. If light stays on, call service.</li> <li>• Make sure refrigerator is level. See "Leveling Refrigerator" section of Installation Instructions.</li> </ul>
Water droplets form on inside of refrigerator.	<ul style="list-style-type: none"> <li>• It is normal during high humidity periods or if doors have been opened frequently.</li> <li>• Wrap food tightly and wipe off damp containers prior to storing in the refrigerator to avoid moisture accumulation.</li> </ul>
Water droplets form on outside of refrigerator.	<ul style="list-style-type: none"> <li>• Check door seals for proper seal. Gaskets should seal tightly to cabinet.</li> <li>• It is normal during high humidity periods or if doors have been opened frequently.</li> </ul>
Meat drawer or crisper drawer does not close freely (some models).	<ul style="list-style-type: none"> <li>• Check for a package that may prevent drawer from closing properly.</li> <li>• Confirm drawer is in proper position.</li> <li>• Clean drawer channels with warm, soapy water. Rinse and dry thoroughly.</li> <li>• Apply a thin layer of petroleum jelly to drawer channels.</li> <li>• Confirm refrigerator is level.</li> </ul>
Refrigerator has an odor.	<ul style="list-style-type: none"> <li>• See "Odor Removal" instructions in "Care and Cleaning" section.</li> </ul>
Refrigerator makes unfamiliar sounds or seems too loud.	<ul style="list-style-type: none"> <li>• It may be normal. See "Normal Operating Sounds" section.</li> </ul>
Ice cubes have an odor.	<ul style="list-style-type: none"> <li>• See "Odor Removal" instructions in "Care and Cleaning" section.</li> <li>• Ice maker was recently installed. Discard first few batches of ice to avoid discolored or off-flavored ice.</li> <li>• Food has not been wrapped tightly in either refrigerator or freezer compartment. Rewrap foods since odors may migrate to the ice if food is not wrapped properly.</li> <li>• Discard ice and clean ice bucket or trays more frequently. Ice cubes are porous and absorb odors easily.</li> <li>• Water supply contains minerals such as sulfur. In some situations a filter may need to be installed to eliminate taste and odor problems.</li> </ul>
Ice cubes stick together or "shrink".	<ul style="list-style-type: none"> <li>• Empty ice cube bucket or trays more frequently. If used infrequently, ice cubes may stick together or shrink.</li> </ul>

## Refrigerator Troubleshooting Guide

Problem	Solution
Ice maker is not producing ice.	<ul style="list-style-type: none"> <li>• Water pressure may be to low or high. Ice maker requires a water pressure of 20-120 psi to function properly.</li> <li>• Confirm ice maker arm is down. See "Automatic Ice Maker" section.</li> <li>• Confirm household water supply is reaching water valve. Make sure the water valve shut off is fully turned on.</li> <li>• Confirm ice maker wiring harness is inserted completely in proper holes.</li> <li>• Check for kinks in copper or plastic tubing. Remove kinks or replace tubing.</li> <li>• Check electrical connections to water valve coil and connector block on refrigerator cabinet.</li> <li>• If a water filter has been installed on the water line outside the refrigerator, check the filter for clogs or improper installation of the filter.</li> </ul>
Ice maker is not producing enough ice.	<ul style="list-style-type: none"> <li>• Ice maker has just recently been installed or a large amount of ice has just been used. Wait 24 hours for ice production to begin and for ice maker to restock after emptied.</li> <li>• Confirm household water supply is reaching water valve. Make sure the water valve shut off is fully turned on.</li> <li>• Piercing type or <math>\frac{3}{16}</math>" saddle valve was used for hookup. Both reduce water flow and may become clogged with time. Replace these valves with correct type of saddle valve requiring <math>\frac{1}{4}</math>" hole to be drilled in water supply pipe prior to valve attachment.</li> <li>• Check for kinks in copper or plastic tubing. Remove kinks or replace tubing</li> <li>• Confirm freezer section is operating at proper temperature. Freezer must be cold enough to produce ice. See "Setting Controls" section.</li> </ul>
Ice forms in inlet tube to ice maker.	<ul style="list-style-type: none"> <li>• Check water pressure. Low water pressure causes valves to leak.</li> </ul>

## Requerimientos eléctricos

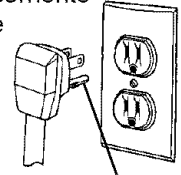
 Reconozca este símbolo como precaución de seguridad.

 **ADVERTENCIA:** No use un adaptador de dos puntas. No use un cable de extensión eléctrica.

Instrucciones para conexión a tierra — Este refrigerador está equipado con un enchufe de tres puntas (para conexión a tierra) para proporcionar protección contra posibles riesgos de descargas eléctricas. Si tiene un tomacorriente de dos orificios, comuníquese con un electricista calificado para que reemplace este tomacorriente de pared de dos orificios por otro de tres orificios correctamente conectado a tierra, en conformidad con el Código Eléctrico Nacional.

Este refrigerador está diseñado para funcionar con una línea separada de 103 a 126 voltios, 15 amperios y 60 ciclos.

No corte ni elimine, bajo ninguna circunstancia, la punta redonda de conexión a tierra del enchufe. El refrigerador siempre debe estar conectado a tierra. No quite el rótulo de advertencia del cordón eléctrico.



Punta de conexión a tierra

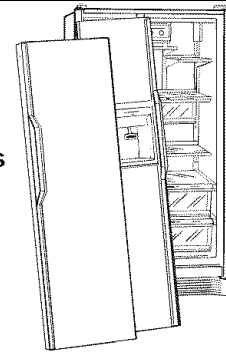
 **PELIGRO**

### Forma apropiada de desechar el refrigerador

**IMPORTANTE:** Los niños atrapados y asfixiados en refrigeradores no es cosa del pasado. Los refrige-radores que se arrumban o abandonan, aún cuando sea por “sólo unos cuantos días”, continúan siendo un peligro. Si desecha un refrigerador viejo, sírvase seguir las siguientes instrucciones para ayudar a prevenir un accidente.

#### ANTES DE TIRAR SU REFRIGERADOR O CONGELADOR VIEJO:

- Quítele las puertas.
- Déjele las repisas puestas para que los niños no puedan meterse fácilmente.



## Garantía

### Garantía completa de un año del refrigerador

Por un año a partir de la fecha de compra, cuando a este refrigerador se le de el funcionamiento y el mantenimiento indicados en las instrucciones adjuntas o proporcionadas con él, Sears reparará este refrigerador, sin cargo alguno, por defectos de fabricación y materiales.

### Garantía completa de cinco años del sistema de refrigeración sellado

Por cinco años a partir de la fecha de compra, cuando a este refrigerador se le de el funcionamiento y el mantenimiento indicados en las instrucciones adjuntas o proporcionadas con él, Sears reparará el sistema sellado (que consiste del refrigerador, tubería de conexión y motor del compresor) sin cargo alguno, por defectos de fabricación y materiales.

La cobertura de garantía anterior se aplica sólo a los refrigeradores que se usan para almacenar alimentos en hogares particulares. Excluye el cartucho original y el de reemplazo del filtro de agua y hielo Kenmore (si está equipado con sistema de filtro). El cartucho original y el de reemplazo están garantizados por 30 días (piezas solamente).

El servicio de garantía está a su disposición comunicándose al 1-800-4-MY-HOME (1-800-469-5811).

Esta garantía se aplica solamente mientras este producto se use en los Estados Unidos.

Esta garantía otorga derechos legales específicos y usted puede tener también otros derechos, los cuales pueden variar entre estados.

Sears, Roebuck and Co., Depto. 817WA, Hoffman Estates, IL 60179, EE.UU.

## Lea y conserve estas instrucciones

Registre el número de modelo y de serie en el espacio que se proporciona más adelante 31; estos números se encuentran localizados en la placa de serie en la pared superior izquierda del compartimiento del refrigerador.

Número de modelo: 596. \_\_\_\_\_

Número de serie: \_\_\_\_\_

Fecha de compra: \_\_\_\_\_

## Contenido

Requerimientos eléctricos .....	16
Forma apropiada de desechar el refrigerador .....	16
Garantía .....	16
Lea y conserve estas instrucciones .....	16
Lista de verificación de la instalación .....	17
Instrucciones para la instalación	
Requerimientos de espacio .....	17
Estabilice el refrigerador y alinee las puertas .....	17
Para quitar las asas .....	18
Para quitar las puertas .....	18
Instalación del cartucho de filtración de agua (en algunos modelos) .....	19
Conexión del suministro de agua (en algunos modelos) .....	19
Controles .....	20
Controles del refrigerador y del congelador .....	20
Ajuste de los controles .....	20
Características de la sección Fresh Food .....	21
Repisas de la sección Fresh Food .....	21
Cajón para carnes .....	21
Cajones para conservar frutas y verduras (Crisper) .....	21
Compartimiento para botellas (en algunos modelos) .....	22
Recipiente cubierto para almacenamiento (en algunos modelos) .....	22
Central para productos lácteos .....	22
Milk Savor™ .....	22
Repisas y compartimientos de la puerta .....	23
Separador ajustable (en algunos modelos) .....	23
Dispositivo de retención para paquetes altos (en algunos modelos) .....	24
Características del congelador .....	24
Máquina de hielo automática .....	24
Almacén organizador de alimentos .....	24
Repisa para bocadillos y jugos .....	24
Surtidor de agua y hielo (en algunos modelos) .....	25
Cuidado y limpieza .....	26
Limpieza general .....	26
Adhesivos .....	26
Empaques de la puerta .....	26
Serpentines del condensador .....	26
Repisas de vidrio .....	26
Eliminación de olores .....	26
Reemplazo del foco .....	27
Sugerencias para ahorrar energía .....	28
Sugerencias para cuando sale de vacaciones .....	28
Sonidos normales de funcionamiento .....	28
Guía de localización y reparación de averías .....	29

## Lista de verificación de la instalación

Las asas están firmemente sujetas si fuera necesario quitarlas o invertirlas.

### Puertas

- Las puertas están firmemente unidas.
- Las puertas se sellan completamente al gabinete del refrigerador.
- Las puertas están escuadradas.

### Nivelación

- El refrigerador está inclinado ¼ pulg. (6 mm) hacia atrás.
- Asegúrese que las puertas estén niveladas en la parte superior.
- Asegúrese que el refrigerador esté nivelado de lado a lado y del frente hacia atrás.

## Máquina de hielo

- La línea de suministro de agua al refrigerador está conectada y abierta.
- No hay goteras en la conexión entre la línea de suministro de la casa y el refrigerador. (24 horas más tarde el consumidor debe revisar la conexión para ver si hay goteras.)
- El brazo de la máquina de hielo está en la posición para producir hielo. (La producción inicial de hielo puede tardar hasta 24 horas.)

## Electricidad

- Se necesita un tomacorriente de pared apropiadamente conectado a tierra con clavija de tres puntas para conectar el refrigerador.

## Filtros de agua (en algunos modelos)

- Verifique que el cartucho de desviación se haya quitado de la unidad de filtración y que se haya instalado el filtro de agua (Vea las instrucciones de instalación y funcionamiento del filtro de agua que se enviaron con el filtro).
- Compruebe que no haya goteras alrededor de la cabeza del filtro.
- Si se instala el filtro de agua, la presión del agua al refrigerador debe ser por lo menos de 35 psi.
- Conserve el cartucho de derivación para usarlo en caso de que el cartucho del filtro de agua se tape antes de comprar uno de reemplazo.

## Instrucciones para la instalación

La instalación correcta asegurará que este refrigerador funcione más eficazmente.

### Requerimientos de espacio



### ADVERTENCIA

Para evitar lesiones personales graves o la muerte, mantenga los materiales y vapores inflamables tales como la gasolina, alejados del refrigerador.

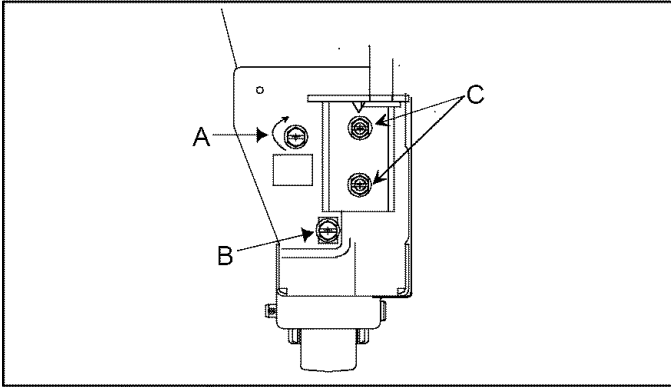
- Para asegurar la ventilación adecuada para el refrigerador, deje un espacio de 1 pulg. (2.5 cm) encima y a los lados del refrigerador.
- Si el refrigerador tiene máquina para hacer hielo, asegúrese de dejar un espacio adicional en la parte posterior para la conexión de agua.
- Si instala el refrigerador junto a una pared fija, deje un espacio mínimo de 2 ¾ pulg. (7 cm) en cada lado (dependiendo del modelo) para permitir que la puerta se abra 90°.

**NOTA:** No instale el refrigerador cerca de una estufa, un radiador u otra fuente emisora de calor, ni en una ubicación en donde la temperatura baje a menos de 55°F (13°C).

### Estabilice el refrigerador y alinee las puertas

Si el refrigerador se balancea o no está estable sobre el piso, realice los pasos siguientes:

- Determine cuál esquina trasera es la que se balancea.
- Quite la rejilla inferior para tener acceso a los tornillos de ajuste de rodillo.
- Gire el tornillo de ajuste de rodillo trasero en el sentido de las manecillas del reloj para elevar la esquina que se mece.

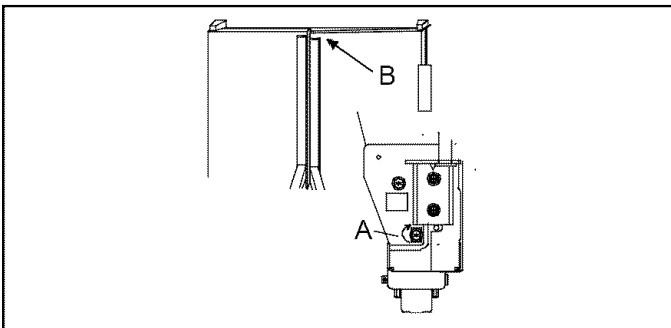


- A—Tornillo de ajuste de rodillo trasero  
 B—Tornillo de ajuste de rodillo delantero  
 C—Tornillos de la bisagra de la puerta

- Revise la alineación de la parte superior de las puertas. Si éstas están niveladas, coloque de nuevo la rejilla inferior.

Si la parte superior de las puertas no está nivelada, realice los pasos siguientes:

- Determine cuál puerta debe subirse (si no ha quitado la rejilla inferior, hágalo ahora).
- Gire el tornillo de ajuste de rodillo en el sentido de las manecillas del reloj para elevar la esquina delantera de la puerta que necesite elevarse. Se debe girar el tornillo de ajuste de rodillo hasta que las puertas estén niveladas.
- Vuelva a colocar la rejilla inferior.



- A—Gire el tornillo de ajuste de rodillo en el sentido de las manecillas del reloj para elevar la puerta.  
 B—Continúe girando el tornillo en el sentido de las manecillas del reloj hasta que las puertas estén niveladas.

## Para quitar las asas

### Herramientas necesarias

Espátula (con la hoja cubierta con cinta adhesiva *masking*)

Llave para tuercas hexagonales de  $\frac{5}{16}$  pulg (8 mm)

Llave para tuercas hexagonales de  $\frac{3}{8}$  pulg (9.5 mm)

Desarmador Phillips

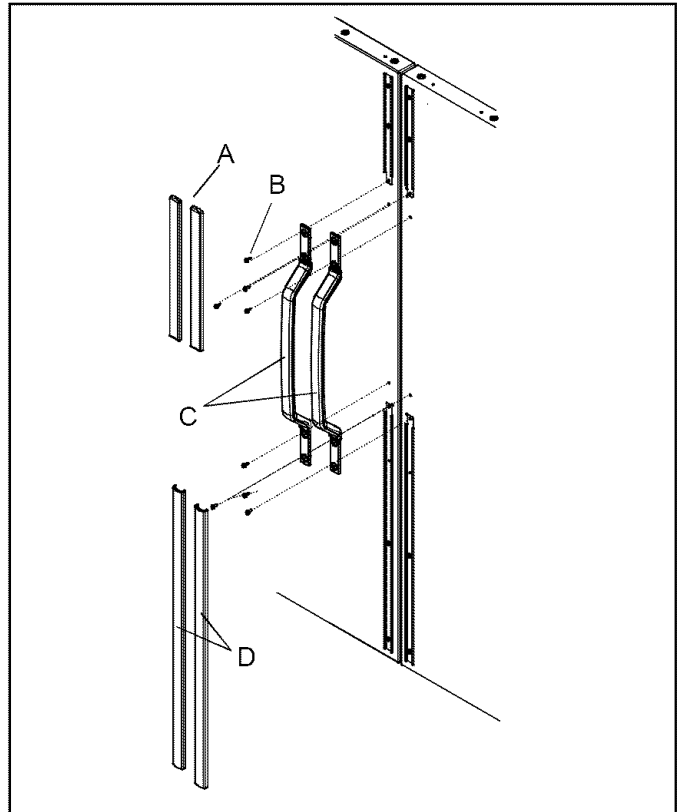
Desarmador plano

## ⚠ ADVERTENCIA

Para evitar descargas eléctricas que pueden causar lesiones personales graves o la muerte, desconecte el suministro eléctrico del refrigerador antes de quitar las puertas. Después de volver a colocar las puertas, conecte el suministro eléctrico.

En algunas instalaciones puede ser necesario quitar las asas para meter el refrigerador en la casa. Si es así, realice los pasos siguientes:

- Extraiga el borde del adorno del asa con una espátula con la hoja cubierta con cinta adhesiva *masking*. Quite el asa de la puerta extrayendo los dos tornillos de montaje en cada extremo del asa.



- A—Adorno del asa      C—Asas  
 B—Tornillos del asa      D—Adorno del asa

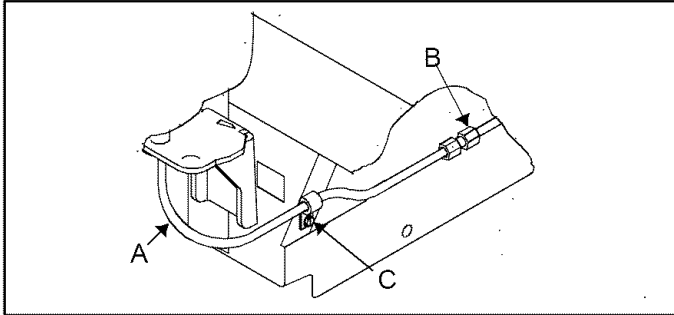
## Para quitar las puertas

En algunas instalaciones puede ser necesario quitar las puertas para meter el refrigerador en la casa. Si es necesario hacerlo, ejecute los pasos siguientes:

1. Quite la parrilla inferior.

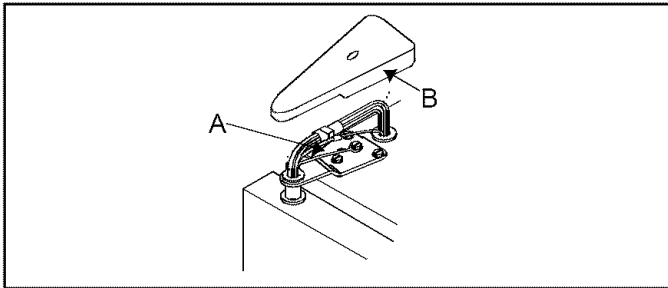
2. **Solamente para las unidades con surtidores de hielo y agua.**

Afloje el tornillo de la abrazadera del tubo del agua. Afloje la tuerca de unión del tubo de plástico de agua. Tire del tubo de agua para separarlo de la tuerca de unión y a través de la abrazadera del tubo.



A—Tubo de agua  
B—Tuerca de unión del tubo de plástico de agua  
C—Tornillo de la abrazadera del tubo de agua

3. Quite el tornillo de la bisagra superior con un desarmador Phillips.



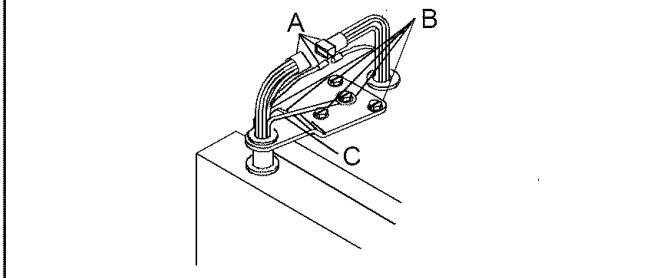
A—Bisagra superior B—Cubierta de la bisagra

**ADVERTENCIA**

Para evitar descargas eléctricas que puedan causar lesiones personales graves o la muerte, el alambre verde de tierra debe permanecer conectado a la bisagra.

4. Desconecte los conectores de alambre de la bisagra superior. No quite el alambre verde de tierra de la bisagra. Quite los tornillos de la bisagra superior. Cuidadosamente levante y quite las bisagras superiores.

**La puerta del congelador solamente**



A—Conectores de alambre C—Alambre verde de tierra  
B—Tornillos de la bisagra superior

5. Levante y separe cuidadosamente las puertas de la bisagra inferior.

6. Coloque las puertas de nuevo en su lugar ejecutando los pasos 1 al 5 en orden inverso.

**Instalación del cartucho de filtración de agua (en algunos modelos)**

El cartucho de desviación debe quitarse antes de conectar el agua a la unidad.

1. Quite el cartucho de derivación de la cabeza del filtro de agua en la esquina posterior derecha de la sección del refrigerador. Tuerza el filtro en sentido contrario al de las manecillas del reloj un giro de  $\frac{1}{4}$  y jale hacia abajo para quitarlo. Guarde la derivación para usarla en el futuro.
2. Para la instalación y el funcionamiento del filtro vea Instalación del sistema de filtración de agua e Instrucciones de funcionamiento que se incluyen con el cartucho de filtración de agua.

**Conexión del suministro de agua(en algunos modelos)**

**ADVERTENCIA**

Para evitar descargas eléctricas que pueden causar lesiones personales graves o la muerte, desconecte la fuente de energía del refrigerador antes de conectar el suministro de agua. Después de conectar el suministro de agua, conecte la fuente de energía.

**PRECAUCIÓN**

Para evitar daños materia-les, ejecute los pasos siguientes:

- Verifique que el cartucho de desviación se haya retirado y reemplazado con el filtro de agua en el conjunto del filtro de agua.
- Compruebe que la presión del agua en la válvula del agua esté entre 20 y 120 libras por pulgada cuadrada.
- Apriete la tuerca del adaptador manualmente para evitar enroscarla mal. Termine de apretar las tuercas con pinzas y llaves. No apriete de más.
- Revise si hay goteras de agua y arréguelas si es necesario antes de volver a colocar el refrigerador en su lugar y 24 horas después de conectarlo.
- Si va a instalar un filtro de agua, la presión del agua a la válvula del agua debe ser cuando menos de 35 libras por pulgada cuadrada.

**Importante**

- Antes de conectar el suministro de agua, comuníquese con un plomero para que conecte la tubería de cobre a la tubería de la casa en conformidad con los códigos y reglamentos locales.
- No use válvulas de penetración ni de sillín de  $\frac{3}{16}$ " (4.8 mm). Ambas reducen el flujo del agua, con el tiempo se obstruyen y pueden causar goteras si trata de repararlas. El tipo correcto de válvula de cierre requiere que se haga un orificio de  $\frac{1}{4}$  pulg. (6.35 mm) en la tubería del suministro de agua antes de conectar la válvula.

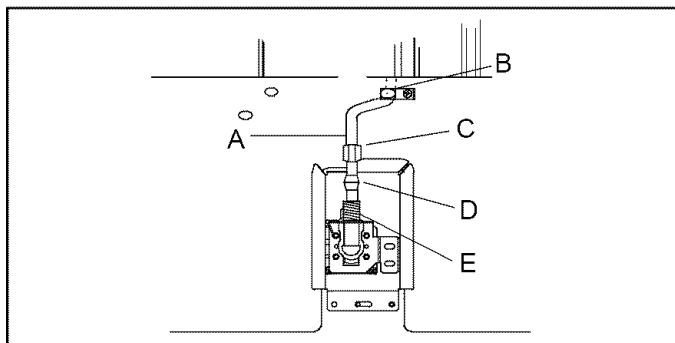
- No pase la tubería del suministro de agua por un lugar donde la temperatura baje a menos de 55°F (13°C).

### Materiales necesarios

Tubería de cobre flexible de ¼ pulg. (6 mm). La longitud de la tubería de cobre debe alcanzar desde la conexión del suministro de agua, más 8 pies (2 m) adicionales de tubería para formar un lazo de servicio.

### Procedimiento

1. Quite el tapón de plástico del orificio de entrada de la válvula del agua. Coloque la tuerca y el manguito de latón en la tubería de cobre. Inserte ésta en el orificio de entrada de la válvula del agua. Apriete con la mano la tuerca de bronce en la tubería de cobre al orificio de entrada de la válvula del agua. Tenga cuidado de no apretarla de más. Verifique que la tubería de cobre esté bien segura tirando de ella ligeramente.



- |                    |   |
|--------------------|---|
| A—Tubería de cobre | D—Manguito de latón                             |
| B—Abrazadera "P"   | E—Conexión de la entrada de la válvula del agua |
| C—Tuerca de latón  |   |

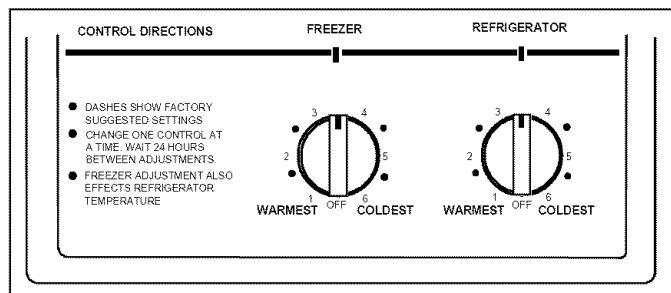
2. Forme un lazo de servicio con extremo cuidado para evitar dobleces. **Asegure la tubería de cobre al gabinete del refrigerador con una abrazadera "P"**.
3. Abra el suministro de agua que va al refrigerador y revise posibles goteras. Arregle según sea necesario.
4. Coloque el refrigerador en el orificio. Revise nuevamente las posibles goteras después de 24 horas.

### Controles

Este refrigerador está diseñado para funcionar con mayor eficacia en temperaturas domésticas normales, entre 55° y 110°F (13° y 43°C).

### Controles del refrigerador y del congelador

Los controles del refrigerador y del congelador están localizados en la parte superior de la pared posterior de la sección del refrigerador.



### Ajuste de los controles

Cuando el control del congelador está colocado en la posición *desactivada (OFF)*, ni la sección del refrigerador ni la del congelador se enfriarán. Inicialmente, coloque ambos controles en 4. Espere 24 horas para que las secciones del refrigerador y del congelador establezcan la temperatura. Después de 24 horas, ajuste los controles, un solo número a la vez, según se desee. En el control, el 1 es el ajuste menos frío y el 6 es el más frío. Ajuste los controles utilizando un termómetro común que abarque temperaturas entre -5° y 50°F (-21° y 10°C).

Coloque el termómetro ajustadamente entre paquetes en la sección del congelador y espere de 5 a 8 horas. Si la temperatura del congelador no está en 0° a 2°F (-17° a -16°C), ajuste el control del congelador, un número a la vez. Revise nuevamente después de 5 a 8 horas.

Coloque el termómetro en un vaso de agua en medio de la sección del refrigerador y espere de 5 a 8 horas. Si la temperatura del refrigerador no se encuentra entre 38° y 40°F (3° y 4°C), ajuste el control del refrigerador, un solo número a la vez. Revise nuevamente después de 5 a 8 horas.

### Características de la sección Fresh Food

#### Repisas de la sección Fresh Food

Se ajustan para satisfacer las necesidades individuales de almacenamiento. Los modelos vienen con repisas deslizables y que contienen los derrames.



### PRECAUCIÓN

Asegúrese que la repisa esté bien instalada antes de colocar artículos sobre ella para evitar daños materiales.

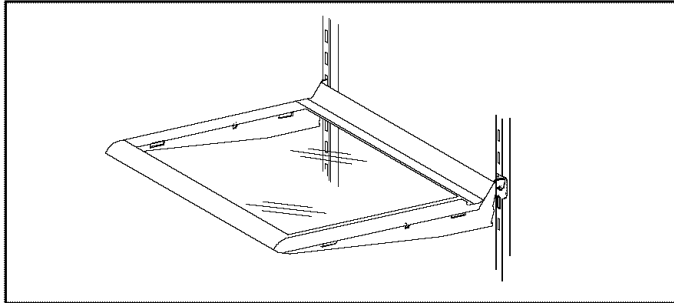


### PRECAUCIÓN

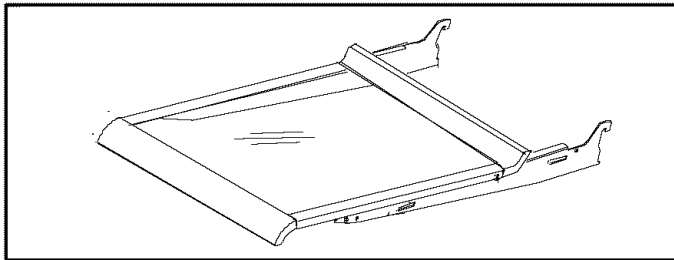
Maneje con cuidado las repisas de vidrio templado para evitar lesiones personales o daños materiales. Las repisas se pueden romper súbitamente si tienen fracturas, rayaduras o si se exponen a cambios repentinos de temperatura.

Las repisas que contienen los derrames menores facilitan la limpieza.

- Quite las repisas levantando la parte delantera y liberando los ganchos de la guía metálica, después jalándolas hacia afuera.
- Vuelva a colocar las repisas insertando los ganchos en la guía metálica y bajando la parte delantera.



Las repisas deslizables se deslizan hacia adelante para tener acceso fácil a los artículos de la parte posterior.

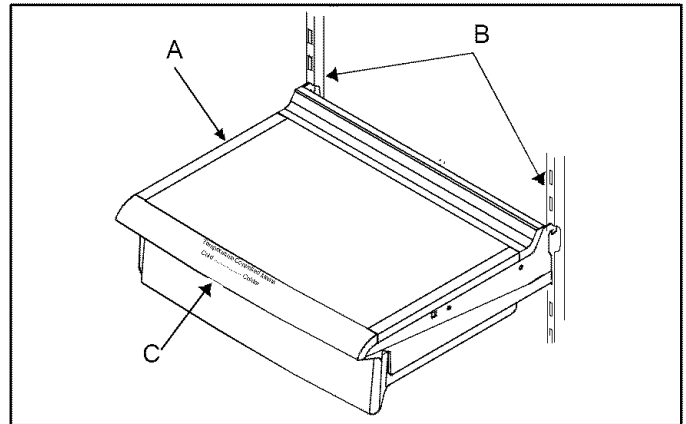


### Cajón para carnes

El cajón para carnes es un cajón dentro de un compartimiento aislante. El aire del congelador circula entre el cajón y el compartimiento aislante. Este sistema conserva frescos los alimentos por más tiempo y hasta 5°F (3°C) más fríos que la temperatura del refrigerador.

El control del cajón para carnes(en algunos modelos) controlada se encuentra ubicado debajo del adorno de la repisa delantera. El control ajusta la cantidad de aire que circula alrededor del cajón. Deslice el control hacia **COLD** (frío) para la temperatura normal del refrigerador y hacia **COLDER** (más frío) para una temperatura más fría. Es posible que se formen cristales de hielo en el cajón o en los alimentos en la posición **COLDER** (más frío). El aire frío que entra al cajón para carnes puede disminuir la temperatura del refrigerador. Tal vez sea necesario ajustar el control del refrigerador.

- Saque el cajón levantándolo y jalándolo hacia afuera. Quite la repisa levantando desde la parte delantera y liberando los ganchos de la guía metálica y luego jale hacia afuera.
  - Reemplace la repisa insertando los ganchos dentro del riel metálico\* y bajando el frente. Vuelva a colocar el cajón deslizándolo hacia adentro.
- \* Si el cajón tiene un control de temperatura, solamente use las ranuras 8 a la 11. Confirme que el manguito aislador esté sobre la entrada de aire en la pared lateral.

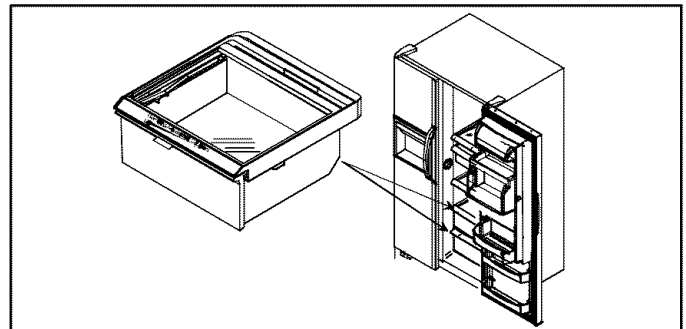


- A— El manguito aislador del cajón C— Guías metálicas para carnes está en este lado del cajón  
B— Control del cajón(en algunos modelos)

### Cajones para conservar frutas y verduras (Crisper)

Los cajones crisper conservan frescas las verduras por más tiempo. Envuelva las verduras estrechamente. No lave las verduras antes de colocarlas en los cajones. El exceso de humedad podría causar que se echen a perder prematuramente. No forre los cajones para verduras con toallas de papel porque retienen la humedad.

Los controles del cajón Crisper (en algunos modelos) están ubicados debajo del adorno delantero de la repisa. El control ajusta la humedad en los cajones para frutas y verduras. Deslice el control hacia **HIGH** (alta) para productos que tienen hojas, como la lechuga, espinacas o repollo. Deslice el control hacia **LOW** (baja) para productos que tienen cáscara, como la coliflor, los elotes o los jitomates.



### PRECAUCIÓN

Maneje con cuidado las repisas de vidrio templado para evitar lesiones personales o daños materiales. Las repisas se pueden romper súbitamente si tienen fracturas, rayaduras o se exponen a cambios repentinos de temperatura.

Quite los cajones para frutas y verduras y la repisa efectuando los pasos siguientes:

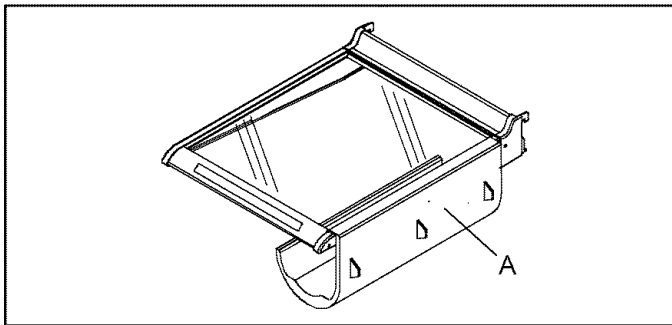
1. Abra el cajón para frutas y verduras.

2. Quite la repisa empujando suavemente hacia arriba desde abajo. Incline un extremo hacia arriba luego jálelo.
3. Quite el cajón para frutas y verduras levantando la parte delantera mientras lo sostiene por debajo y luego jalándolo.
4. Coloque los cajones para frutas y verduras y la repisa ejecutando los pasos 1 al 3 en orden inverso.

### Compartimiento para botellas (en algunos modelos)

El compartimiento para botellas proporciona un conveniente lugar para guardar botellas de cuello largo, huevos, etc.

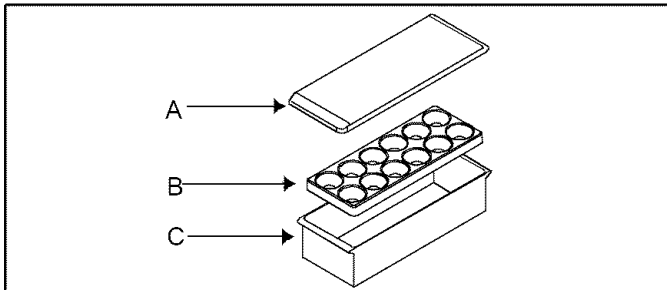
- Cuelgue este compartimiento enganchándolo por el lado de la repisa.



A— Compartimiento para botellas

### Recipiente cubierto para almacenamiento (en algunos modelos)

El recipiente para almacenamiento tiene una tapa y una bandeja desmontable para huevos. Cuando se saca la bandeja, se pueden acomodar artículos tales como cajas regulares de huevos, hielo, etc.



A— Tapa C— Recipiente para almacenamiento  
B— Bandeja para huevos

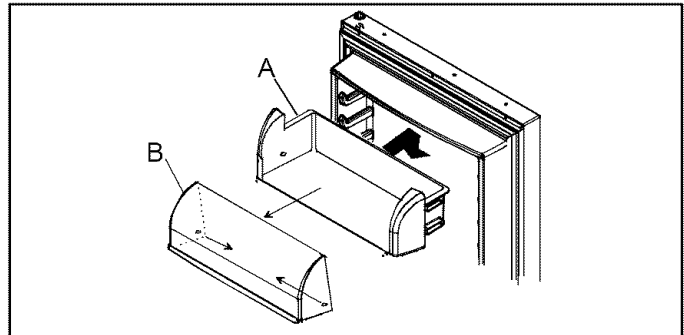
### Central para productos lácteos

La central para productos lácteos ofrece un conveniente lugar para guardar mantequilla, queso, etc.

La central para productos lácteos es ajustable para satisfacer las necesidades de almacenamiento.

También se puede sacar para lavarla. Para sacarla siga los pasos a continuación:

- Quite la central para productos lácteos abriendo la cubierta. Empuje la cubierta hacia el interior en los puntos de pivote y jálela hacia fuera. Levante la central para productos lácteos y jálela para quitarla.
- Coloque la central de lácteos nuevamente siguiendo el procedimiento en orden inverso.



A— Central para productos lácteos

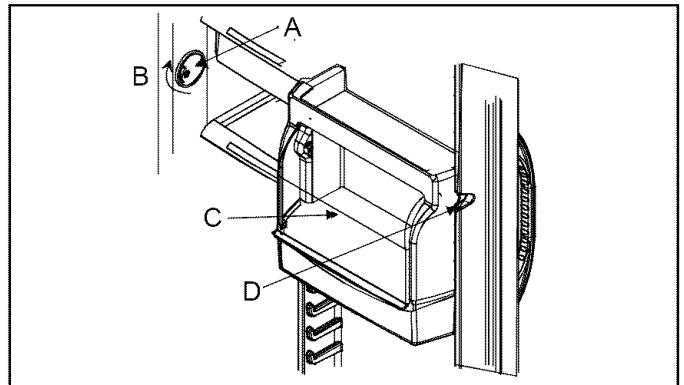
B— Cubierta de la central para productos lácteos

### Milk Savor™

El Milk Savor™ mantiene las bebidas hasta 5°F (3°C) más frías que la sección del refrigerador. La entrada de aire permite que el aire de la sección del congelador pase al Milk Savor™. La entrada del aire está ubicada en la pared interior de la puerta del refrigerador.

El control del Milk Savor™ está ubicado en la pared izquierda al frente en la sección del refrigerador.

El control ajusta la cantidad de aire que circula en el Milk Savor™. Gire el control hacia *COLD\** (frío) para la temperatura normal del refrigerador y hacia *COLDER\*\** (más frío) para una temperatura más fría.



A— Control de Milk Savor™

C— Puerta del Milk Savor™

B— Gire el control en el sentido

de las manecillas del reloj para un ajuste más frío.

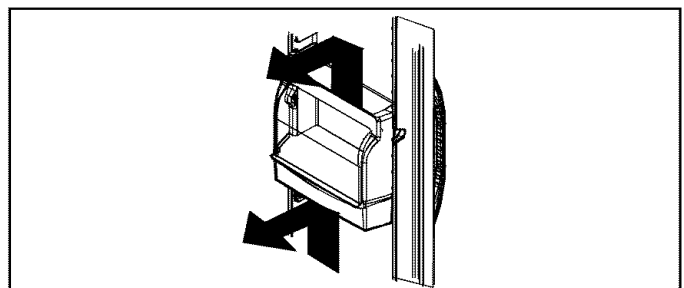
D— Entrada de aire del Milk Savor™

La posición del Milk Savor™ es ajustable para satisfacer las necesidades de almacenamiento.

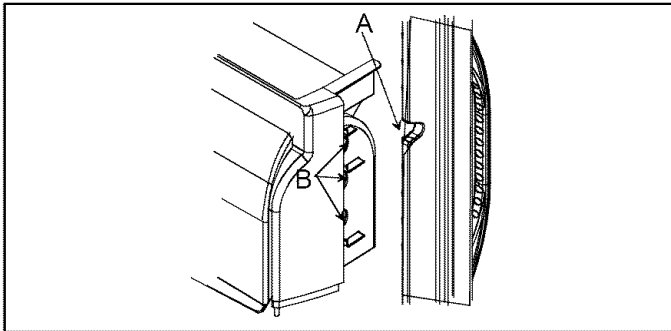
También se puede quitar el enfriador para lavarlo.

Para sacarlo, siga los pasos a continuación:

1. Tome el enfriador por los lados, levántelo y jálelo para sacarlo. Quite la base del Milk Savor™ empujándola hacia arriba y jalándola.

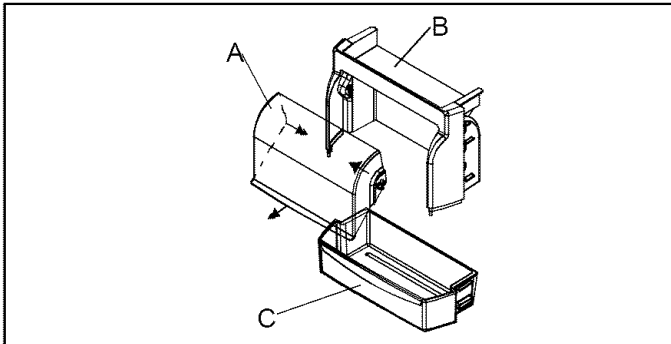


2. Para volver a colocar el Milk Savor™, deslice la parte inferior entre los rieles de las repisas que desea en el recubrimiento de la puerta y empuje hacia abajo hasta que quede en su lugar. Deslícelo entre los rieles de las repisas que desea en el recubrimiento de la puerta y empuje la parte superior del Milk Savor™ en su lugar, sobre la parte inferior del mismo.
  - La muesca en el pretil de la puerta debe alinearse con uno de los orificios de entrada de aire del Milk Savor™.



A— Muesca en el pretil de la puerta  
B— Entradas de aire frío del Milk Savor™

- Quite la cubierta del Milk Savor™ abriendo la cubierta. Empuje la cubierta hacia adentro en los puntos de pivote y jálela hacia afuera. Vuelva a colocar la cubierta invirtiendo el procedimiento.



A— Cubierta del Milk Savor™  
B— Base del Milk Savor™  
C— Parte superior del Milk Savor™

### Repisas y compartimientos de la puerta

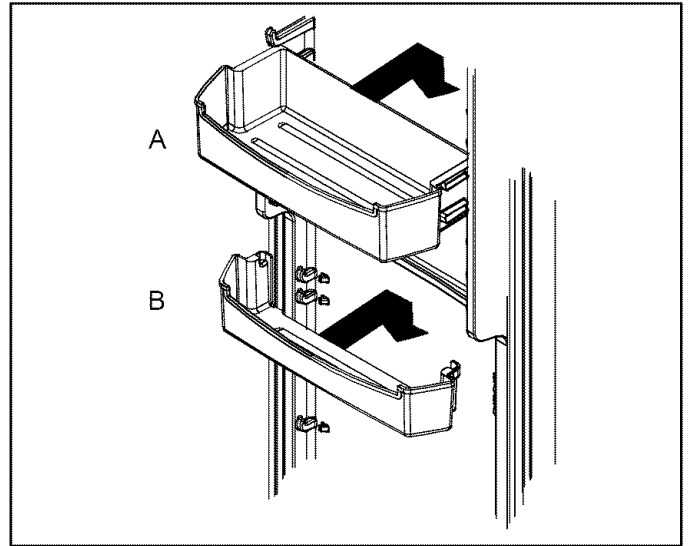
Los compartimientos de la puerta se ajustan para satisfacer las necesidades individuales de almacenamiento.



### PRECAUCIÓN

Para evitar daños materiales verifique que la repisa esté firmemente puesta antes de colocar artículos en ella.

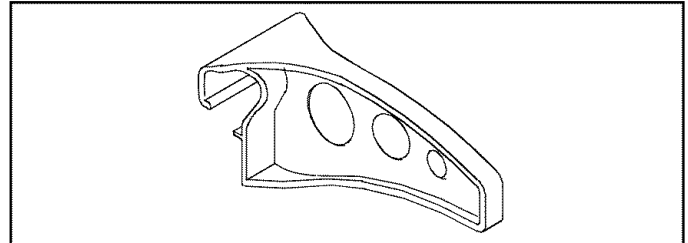
- Quite los compartimientos de la puerta levantándolos y jalándolos hacia fuera.
- Coloque los compartimientos en su lugar deslizando-los entre los rieles y encajándolos en su lugar.



A— Compartimiento de la puerta B—Repisa de la puerta

### Separador ajustable (en algunos modelos)

El separador ajustable mantiene los artículos en su sitio y se ajusta para satisfacer las necesidades individuales de almacenamiento. El separador cabe en cualquier compartimiento o repisa de la puerta.

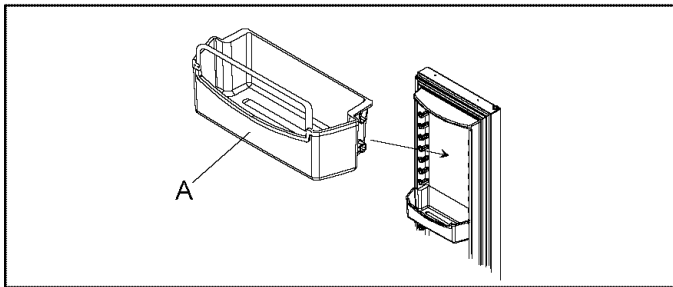


## Dispositivo de retención para paquetes altos (en algunos modelos)

El dispositivo de retención para paquetes altos mantiene seguros los artículos altos. El dispositivo cabe en cualquiera de los compartimientos de la puerta. Éste es ajustable a dos diferentes alturas en las repisas de la puerta del refrigerador.

Para instalarlo, insértelo en los orificios a cada lado del compartimiento de la puerta o al frente de la repisa.

- Instale el dispositivo con las perillas del retén hacia fuera para la posición alta.
- Para la posición más baja, instale el dispositivo de retención con las perillas del retén hacia dentro. Las perillas se deslizan en las ranuras en los orificios del retén en el interior del compartimiento del frente.

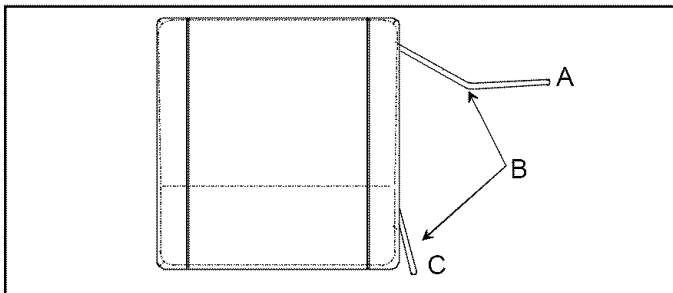


A— Dispositivo de retención para paquetes altos

## Características del congelador

### Máquina de hielo automática

- Verifique que el recipiente para hielo esté en su sitio y que el brazo de la máquina de hielo esté hacia abajo.
- Después que la sección del congelador alcanza la temperatura normal, la máquina de hielo se llena de agua y comienza a funcionar. Espere de 24 a 48 horas después de instalarla para que los hielos estén listos. La máquina de hielo produce de 7 a 9 raciones de hielo durante 24 horas bajo condiciones ideales.
- Después de que se forma el hielo, la máquina deja caer los cubos de hielo adentro del recipiente. Mientras el hielo se está haciendo, el brazo de la máquina se levanta y se baja. Cuando el recipiente de hielo se llena, el brazo de la máquina la desactiva. **Nota:** Deseche las tres primeras raciones de hielo para no consumir impurezas que se hubieran podido quedar en la línea de agua al instalarla y después de periodos largos de tiempo sin usarla.
- Si desea detener la producción automática de hielo levante el brazo de la máquina. Cuando se acomoda en la posición correcta se escucha un chasquido claro. El brazo de la máquina se quedará en esta posición hasta que se empuje hacia abajo.



A— Posición desactivada

C— Posición activada

B— Brazo de la máquina de hielo



## PRECAUCIÓN

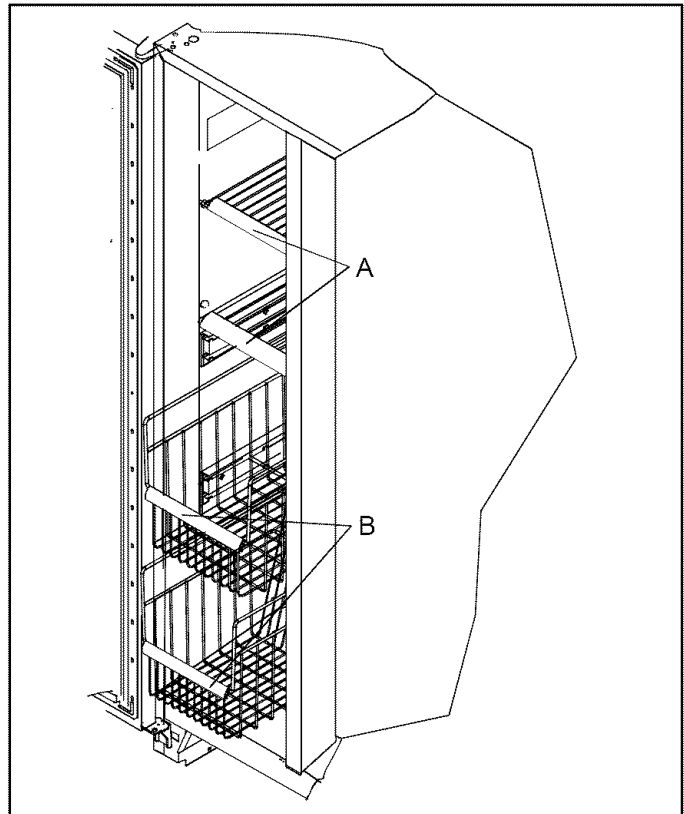
Para evitar que se dañe la máquina de hielo, ejecute los pasos siguientes:

- No fuerce el brazo de la máquina de hielo hacia arriba ni hacia abajo.
- No coloque ni almacene nada en el compartimiento para hielo.

## Almacén organizador de alimentos

Las canastas de alambre se deslizan hacia afuera para tener acceso fácil a los artículos que están en la parte posterior y pueden reacomodarse para satisfacer las necesidades individuales de almacenamiento.

- Quite las repisas y las canastas de alambre levantándolas y jalándolas hacia afuera.
- Vuelva a colocar las repisas y las canastas de alambre colocándolas en las guías laterales. Deslice las repisas y las canastas hacia la derecha y hacia atrás hasta que la perilla redonda esté detrás del tope de la guía.
- Quite la repisa levantándola del lado derecho fuera de los sujetadores y jalándola hacia afuera de los orificios de montaje del lado izquierdo. Invierta el procedimiento para volver a instalar la repisa.

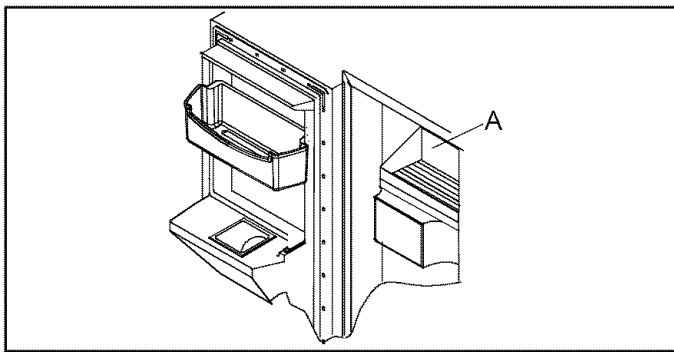


A— Repisas de alambre

B— Canastas de alambre

## Repisa para bocadillos y jugos

La repisa para bocadillos y jugos proporciona un conveniente lugar para guardar jugos congelados y bocadillos. La repisa se puede quitar para lavarla.



A— Repisa para bocadoillos y jugos

### Surtidor de agua y hielo(en algunos modelos)

#### PRECAUCIÓN

Para evitar daños personales o materiales, siga las instrucciones a continuación:

- No use el surtidor con la puerta del congelador abierta.
- No introduzca los dedos, las manos o algún objeto extraño en el orificio del surtidor.
- No use objetos afilados para quebrar el hielo.

#### Funcionamiento del surtidor de agua

Se tarda aproximadamente 1 minuto después de conectar por primera vez el refrigerador al suministro de agua doméstica para que comience a salir el agua. Deseche los primeros 10 a 14 recipientes de agua después de conectar por primera vez el refrigerador al suministro de agua y después de períodos prolongados sin usarse.

- Dispense el agua oprimiendo firmemente un recipiente de boca ancha contra la barra del surtidor de agua.
- Detenga el agua dejando de oprimir la barra. Una pequeña cantidad de agua puede continuar cayendo. La repisa de derrames no tiene drenaje, los derrames grandes deben secarse.

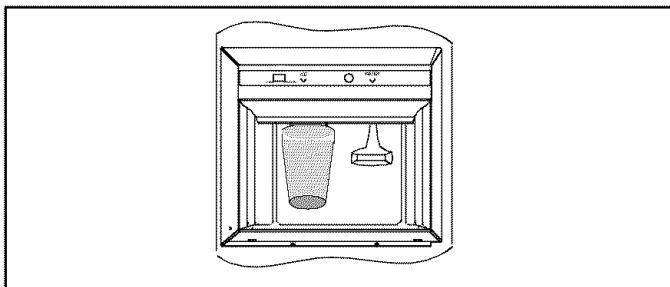
#### Funcionamiento del surtidor del hielo

#### PRECAUCIÓN

Para evitar lesiones personales o daños materiales, no dispense hielo directamente en vidrio delgado, porcelana fina o cristal delicado.

- Seleccione la función de hielos en cubos o triturado deslizando la palanca en el panel del surtidor. Dispense el hielo oprimiendo un recipiente de boca ancha contra la barra del surtidor de hielo.

**Importante:** Reduzca el salpicado de hielo triturado sosteniendo el recipiente de boca ancha directamente debajo del canal del hielo y tan arriba como sea posible en el área del surtidor.



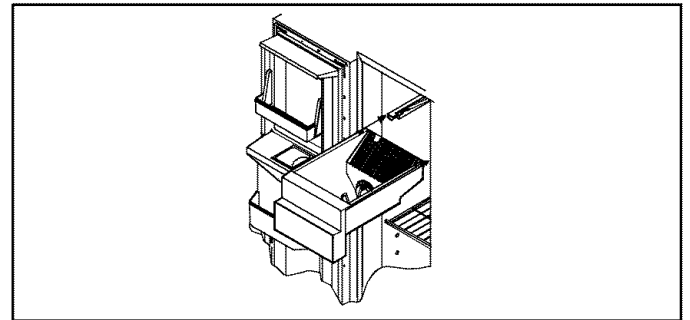
Si se desea una gran cantidad de hielos, retire los hielos directamente del recipiente de los hielos. Si se dispensa hielo de modo continuo, el motor del surtidor está diseñado para apagarse después de 3 a 5 minutos. El motor se reinicia después de 3 minutos y entonces se puede continuar dispensando hielo.

Cuando se cambia la función de hielo de cubos a triturado ocurre una pequeña demora. Los pedazos de hielo triturado varían en tamaño y forma. Se puede formar “nieve” en la puerta y en el canal de hielo cuando se dispensa repetidamente hielo triturado. Permita que la “nieve” se evapore y séquela.

**Nota:** El surtidor sólo funciona con cubos de hielo del tamaño correcto y de forma de media luna. No añada cubos de hielo comprados u otra forma de hielos al recipiente de hielo.

#### Para quitar el recipiente del hielo

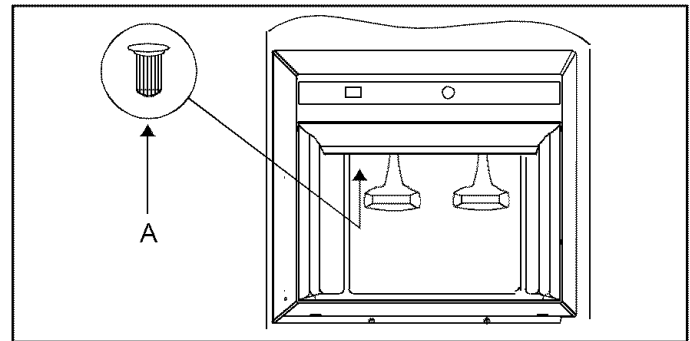
- Quite el recipiente del hielo levantándolo y jalándolo hacia fuera.
- Coloque el recipiente de nuevo en su lugar deslizándolo hasta que se acomode en su lugar. El recipiente de hielo debe estar acomodado en su lugar para dispensar hielo apropiadamente. Si la puerta del congelador no cierra, el recipiente no está en la ubicación correcta.



#### Luz del surtidor (en algunos modelos)

Una luz se activa cuando dispensa hielo o agua. Algunos modelos vienen con una luz de noche.

- Desactive la luz de noche oprimiendo el interruptor localizado debajo del surtidor y a la izquierda de la barra surtidora de hielo.



A— Interruptor de luz de noche

#### Sabor y olor

Ejecute los pasos siguientes para minimizar las dificultades con el sabor y el olor:

- Deseche las primeras tres raciones de hielo después de conectar el refrigerador por primera vez al suministro de agua de la casa y después de períodos prolongados sin usarlos. Esto evitará el consumo de impurezas de la línea o el uso de hielos con mal sabor.
- Guarde los alimentos en recipientes herméticamente sellados o en bolsas a prueba de humedad.
- Instale un filtro de agua en la línea del agua.
- Comuníquese con la compañía de tratamiento de agua local para obtener ayuda especializada si los problemas persisten.
- Deseche el hielo sin usar durante un período prolongado.

## Cuidado y limpieza



### ADVERTENCIA

Desconecte la energía eléctrica al refrigerador antes de limpiarlo para evitar descargas eléctricas que pueden causar lesiones personales graves o la muerte. Después de limpiarlo, vuelva a conectar la energía.



### PRECAUCIÓN

Lea y siga todas las instrucciones del fabricante de los productos de limpieza para evitar lesiones personales o daños materiales.

## Limpieza general

1. Lave las superficies interiores y exteriores con 4 cucharadas de bicarbonato de sodio disuelto en 1 litro de agua tibia utilizando un paño suave y limpio.
2. Enjuague las superficies con agua tibia. Seque las superficies con un trapo suave y limpio.
  - No utilice los siguientes productos:
    - limpiadores abrasivos o ásperos tales como amoníaco, cloro, blanqueadores, etc.
    - detergentes o solventes concentrados
    - estropajos metálicos.

Estos productos pueden rayar, rajar y decolorar las superficies.

  - No lave las repisas, recipientes, etc. en una lavadora de platos automática.

## Adhesivos

1. Elimine el residuo de goma frotando un poco de pasta dental sobre el adhesivo hasta aflojarlo.
2. Enjuague la superficie con agua tibia. Seque la superficie con un paño limpio y suave.

## Empaques de la puerta

1. Limpie los empaques de la puerta cada 3 meses de acuerdo con las instrucciones de la sección "Limpieza general". Limpie los derrames inmediatamente.
2. Aplique una capa delgada de vaselina para mantener flexibles los empaques.

## Serpentines del condensador

Limpie el serpentín del condensador cada 3 meses para asegurar un funcionamiento óptimo del refrigerador. La acumulación de polvo y pelusa puede causar lo siguiente:

- menor rendimiento de enfriamiento
  - aumento del consumo de energía
  - falla prematura del compresor
1. Quite la parrilla inferior sosteniendo los extremos y jalándola hacia afuera.
  2. Limpie la superficie delantera del serpentín con la boquilla de la manguera de una aspiradora.
  3. Vuelva a colocar la parrilla inferior insertando y encajando los sujetadores en los agujeros del gabinete.



### PRECAUCIÓN

Proteja los pisos suaves de vinilo o de otros tipos con cartones, mantas o algún otro material protector para evitar daños materiales.

4. Jale el refrigerador para alejarlo de la pared. Pase el cepillo de la aspiradora sobre la rejilla del ventilador del condensador que está en la parte posterior del refrigerador.

## Repisas de vidrio



### PRECAUCIÓN

Maneje cuidadosamente las repisas de vidrio templado para evitar lesiones personales o daños materiales. Las repisas se pueden romper súbitamente si tienen fracturas, rayaduras o se exponen a cambios repentinos de temperatura.

Saque la repisa levantándola de la parte delantera, liberando los ganchos de los rieles metálicos, luego jalando la repisa hacia delante. Colóquela sobre una toalla y permita que la repisa se adapte a la temperatura ambiental antes de limpiarla.

Limpie las hendiduras haciendo lo siguiente:

1. Diluya un detergente suave y aplíquelo en las hendiduras usando un cepillo con cerdas de plástico. Déjelo reposar durante cinco minutos.
2. Rocíe agua tibia en las hendiduras usando un aditamento para rociar agua desde la llave.
3. Seque bien la repisa y vuelva a colocarla insertando los ganchos en los rieles metálicos y bajándola por la parte delantera.

## Eliminación de olores

1. Saque todos los alimentos y desconecte la fuente de energía al refrigerador.
2. Limpie todas las superficies interiores incluso el techo, el piso y las paredes de acuerdo con las instrucciones de limpieza de la sección "Limpieza general". Preste atención especial a las esquinas, hendiduras y ranuras. Incluya todos los accesorios, cajones, repisas y empaques.

3. Conecte la fuente de energía al refrigerador y vuelva a colocar los alimentos en el refrigerador. Lave y seque todas las botellas, los recipientes y los frascos. Guarde todos los alimentos en recipientes sellados herméticamente para evitar malos olores adicionales. Después de 24 horas revise si se ha eliminado el olor.

Ejecute los pasos siguientes si no se ha eliminado el olor.

4. Coloque los cajones para verduras garden fresh en la repisa superior de la sección del refrigerador. Llene las secciones del refrigerador y del congelador, incluso las puertas, con hojas estrujadas de periódico.
5. Coloque pedazos de carbón en diferentes lugares del periódico.
6. Cierre las puertas y deje reposar de 24 a 48 horas.
7. Saque los pedazos de carbón y los periódicos.
8. Ejecute los pasos 2 y 3.

Si aún no se ha eliminado el olor, comuníquese con el Centro de servicio de Sears. Consulte la sección de servicio para obtener el número telefónico.

### Reemplazo del foco

#### ADVERTENCIA

Desconecte la energía eléctrica al refrigerador antes de cambiar los focos para evitar descargas eléctricas que pueden causar lesiones graves o la muerte. Después de cambiar los focos, vuelva a conectar la energía.

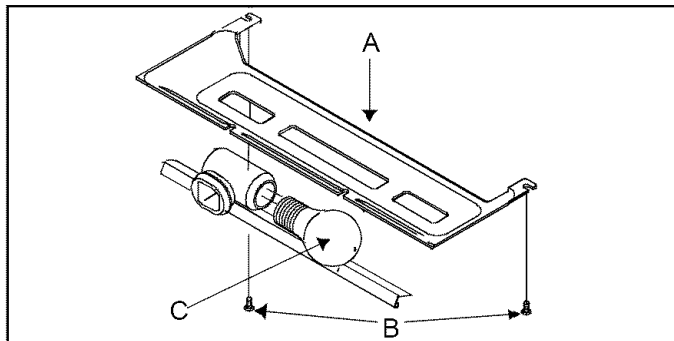
#### PRECAUCIÓN

Lleve a cabo lo siguiente para evitar lesiones personales o daños materiales.

- Permita que se enfríe el foco.
- Use guantes cuando reemplace el foco.

### Sección superior de la sección Fresh Food y del congelador (en algunos modelos)

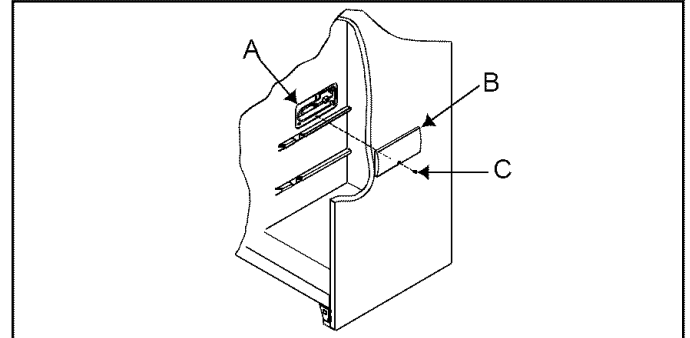
- Quite la tapa del foco extrayendo los tornillos hexagonales de ¼ de pulgada (6.4mm). Reemplace el foco con uno para electrodomésticos de 60 wats.
- Vuelva a colocar la cubierta del foco atornillando los tornillos hexagonales de ¼ de pulgada (6.4mm).



A—Cubierta del foco C—Tornillos hexagonales de ¼ pulg.  
B—Foco

### Sección inferior de la sección Fresh Food (en algunos modelos)

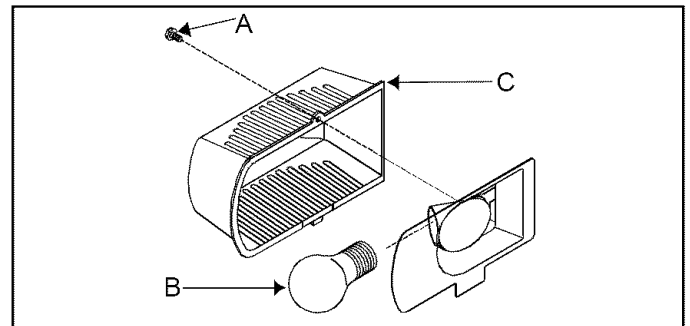
- Quite la tapa del foco extrayendo los tornillos. Reemplace el foco con uno tubular de 40 wats.
- Vuelva a colocar la cubierta del foco colocándola sobre el foco, inserte y apriete el tornillo.



A—Foco B—Cubierta del foco C—Tornillo

### Sección del congelador

1. Quite el compartimiento del hielo levantándolo y jalándolo hacia fuera.
2. Quite la cubierta del foco sacándole el tornillo hexagonal de ¼ pulg (6.4mm). Reemplace el foco con uno para electrodomésticos de 40 wats.
3. Vuelva a colocar la cubierta del foco en su lugar sosteniendo la cubierta sobre el foco e insertando y apretando el tornillo.
4. Vuelva a colocar el recipiente de hielo en su lugar deslizándolo hasta que el compartimiento encaje en su lugar.

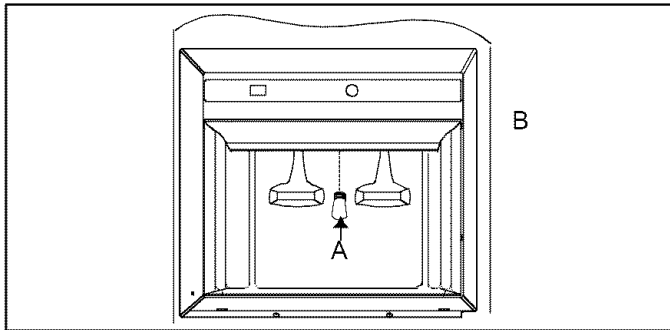


A—Tornillo B—Foco C—Cubierta del foco

### Surtidor de hielo y agua Ice and Water (en algunos modelos)

El foco se encuentra ubicado entre los brazos del dispensador.

- Quite el foco desatornillándolo. Reemplace el foco con uno de 6 wats y 120 voltios.
- Vuelva a colocar el foco en su lugar insertándolo y apretándolo.



A—Foco B—Surtidor de hielo y agua Ice and Water

## Sugerencias para ahorrar energía

Este refrigerador ha sido diseñado para ser uno de los refrigeradores de mayor rendimiento de energía disponibles. Reduzca el consumo de energía llevando a cabo lo siguiente.

- Manténgalo funcionando a temperaturas normales entre 55° y 110°F (13° y 43°C) alejado de las fuentes de calor y de la luz directa del sol.
- Fije los controles del refrigerador, congelador y del cajón de temperatura controlada para carnes a una temperatura que no sea más fría de la necesaria.
- Mantenga llena la sección del congelador.
- Mantenga los empaques de la puerta limpios y flexibles. Cambie los empaques si están desgastados.
- Mantenga limpios los serpentines del congelador.

## Sugerencias para cuando sale de vacaciones

Siga los pasos a continuación cuando tome unas vacaciones breves.

1. Saque los alimentos que se puedan echar a perder.
2. Ponga el brazo de la máquina en la posición desactivada. (Vea las Instrucciones de la máquina de hielo automática)

Siga los pasos a continuación cuando tome vacaciones largas.

1. Vacíe las secciones del refrigerador y del congelador.
2. Desenchufe el refrigerador.
3. Limpie el refrigerador y los empaques de la puerta de acuerdo a *Limpieza General* en la sección *Cuidado y Limpieza*.
4. Deje las puertas abiertas para que pueda circular el aire en el interior.
5. Cierre el suministro del agua al refrigerador y ponga el brazo de la máquina en la posición desactivada.

## Sonidos normales de funcionamiento

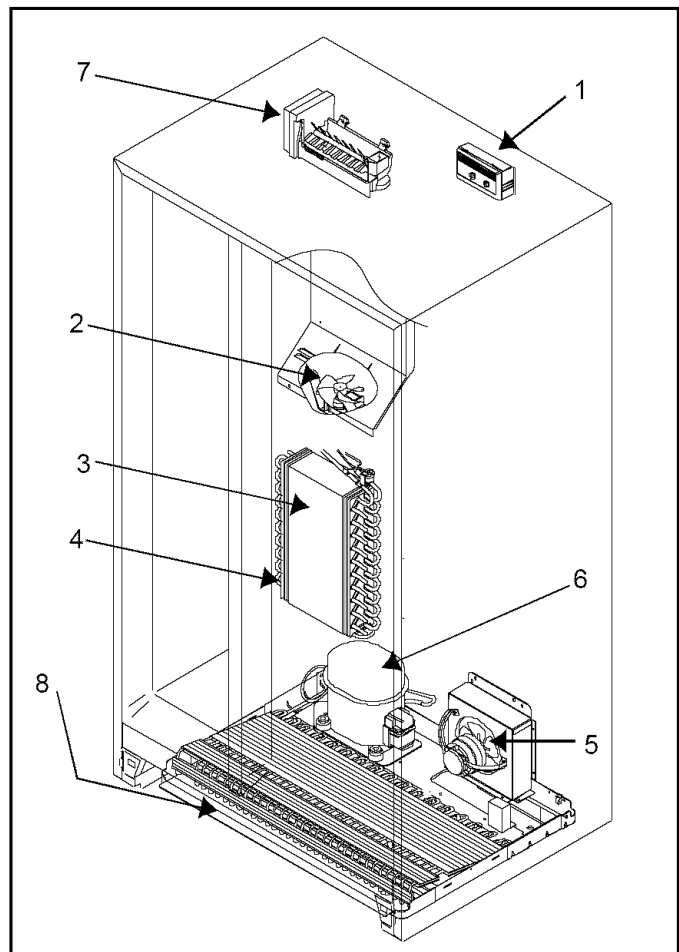
Es posible que este refrigerador nuevo esté reemplazando a uno de diferente diseño, menos eficiente o más pequeño. Los refrigeradores actuales tienen características nuevas y un mejor rendimiento de energía. Como resultado de esto, ciertos sonidos pueden parecer poco comunes. Estos sonidos son normales y pronto le serán familiares. Estos sonidos indican también que el refrigerador está funcionando y rindiendo según su diseño.

1. **Control del congelador** hace un clic al arrancar o detenerse el compresor.
2. **Ventilador del congelador** el aire se acelera y zumba.

3. **Sistema sellado** (evaporador e intercambiador de calor). El flujo del refrigerante gorgojea, cruje o suena como agua hirviendo.
4. **Calentador de descarchado** hace chirridos, silba o cruje. El calentador de descarchado se enrolla en la base y el lado izquierdo del evaporador.
5. **Ventilador del condensador** el aire se acelera y zumba.
6. **Compresor** tiene un sonido de alta frecuencia de tarareo o pulsante, y se enciende y apaga en ciclos.
7. **Cubos de hielo** de la máquina de hielo caen al recipiente.

**Motor del espiral para hielo** zumba cuando el espiral agita el hielo al dispensarlo. El motor del espiral para hielo está localizado detrás del compartimiento del hielo en la sección del congelador. (No se muestra.)

**Conexión de la válvula de agua de la máquina de hielo.** Zumba cuando la máquina de hielo se llena con agua. Esto ocurre independientemente de que el refrigerador esté o no esté conectado al suministro de agua. Si no está conectado, elimine el ruido colocando el brazo de la máquina de hielo en la posición desactivada (*off*). La conexión de la válvula de agua está ubicada detrás en la parte inferior de la esquina izquierda. (No se muestra.) El aislante de espuma tiene muy buen rendimiento de energía y excelente capacidad aislante. Sin embargo, no absorbe el ruido tanto como el aislamiento de fibra de vidrio que se usaba anteriormente. (No se muestra.)




## Guía de localización y reparación de averías

Problema	Solución
El refrigerador no funciona.	<ul style="list-style-type: none"> <li>• Compruebe que el control del congelador esté activado.</li> <li>• Compruebe que el refrigerador esté enchufado. Si no lo está, enchufe firmemente el cordón en una tomacorriente del voltaje apropiado.</li> <li>• Revise el fusible o cortacircuitos. Enchufe otro artefacto en el mismo tomacorriente de pared y si no funciona, reemplace el fusible o reajuste el cortacircuitos.</li> <li>• Si el control del congelador está activado, si funcionan las luces pero los dos ventiladores y el compresor no funcionan, el refrigerador podría estar en el ciclo de descarchado. Espere 40 minutos para ver si vuelve a arrancar.</li> </ul>
Aún no funciona el refrigerador.	<ul style="list-style-type: none"> <li>• Desenchufe el refrigerador. Cambie los alimentos a otro refrigerador o ponga hielo seco en la sección del congelador para conservar los alimentos. Llame para solicitar servicio.</li> </ul>
La temperatura de los alimentos parece estar demasiado tibia.	<ul style="list-style-type: none"> <li>• Vea las secciones anteriores.</li> <li>• Deje que transcurra suficiente tiempo para que los alimentos tibios recientemente guardados alcancen la temperatura del refrigerador o del congelador. Al añadir alimentos se calienta el refrigerador y puede tomarle algunas horas volver a la temperatura normal.</li> <li>• Revise los empaques para ver si sellan correctamente. Los empaques deben sellar ajustadamente al gabinete.</li> <li>• Limpie los serpentines del condensador. Vea las instrucciones para el "Serpentines del condensador" en la sección "Cuidado y limpieza".</li> <li>• Ajuste el control del refrigerador o del congelador. Vea las instrucciones en "Ajuste de los controles" en la sección "Controles".</li> <li>• Las luces del congelador o refrigerador permanecen encendidas. Si la luz permanece encendida, llame para solicitar servicio.</li> <li>• Las ventilas de aire están obstruidas y restringen la circulación del aire frío. Ubique las ventilas usando su mano para sentir el flujo de aire y mueva todos los paquetes que obstruyan las ventilas y restrinjan el flujo de aire.</li> </ul>
La temperatura del cajón de para carne está muy tibia.	<ul style="list-style-type: none"> <li>• Deslice el control a una posición más fría.</li> <li>• Ajuste el control del congelador a una temperatura más fría. Vea las instrucciones en "Ajuste de los controles" en la sección "Controles".</li> </ul>
La temperatura de los alimentos es demasiado fría.	<ul style="list-style-type: none"> <li>• Limpie los serpentines del congelador. Vea las instrucciones de "Serpentines del congelador" en la sección "Cuidado y limpieza".</li> <li>• Ajuste el control del refrigerador. Vea las instrucciones en "Ajuste de los controles" en la sección "Controles".</li> <li>• Ajuste el control del congelador a una posición más tibia. Vea las instrucciones en "Ajuste de los controles" en la sección "Controles". Deje que pasen varias horas para que la temperatura se ajuste.</li> <li>• Compruebe que la tapa de plástico esté colocada en el lado opuesto del cajón de para carnes. Consulte la sección "Cajón de para carnes".</li> </ul>
El refrigerador se acciona con demasiada frecuencia.	<ul style="list-style-type: none"> <li>• Podría ser normal para mantener una temperatura constante.</li> <li>• Las puertas se han abierto frecuentemente o durante períodos prolongados de tiempo. Cuando se abre la puerta el aire tibio entra al refrigerador. Entre más se abre la puerta mayor es el aire tibio que el refrigerador tiene que enfriar.</li> <li>• Permita tiempo suficiente para que los alimentos tibios recientemente guardados alcancen la temperatura del refrigerador o del congelador. Puede tomar varias horas para que el refrigerador alcance otra vez la temperatura normal.</li> <li>• Limpie los serpentines del condensador. Vea las instrucciones de "Serpentines del condensador" en la sección "Cuidado y limpieza".</li> <li>• Ajuste el control del congelador. Vea las instrucciones en "Ajuste de los controles" en la sección "Controles".</li> <li>• Revise que los empaques sellen correctamente. Los empaques deben sellar ajustadamente al gabinete.</li> <li>• La luz del congelador permanece encendida. Si la luz permanece encendida, quite el foco y llame para solicitar servicio.</li> <li>• Cerciórese de que el refrigerador esté nivelado. Consulte la sección "Nivelación del refrigerador" en las instrucciones de instalación.</li> </ul>
Se forman gotas de agua dentro del refrigerador.	<ul style="list-style-type: none"> <li>• Es normal durante períodos de alta humedad o si se abren las puertas con mucha frecuencia.</li> <li>• Envuelva bien los alimentos y seque los recipientes húmedos antes de guardarlos en el refrigerador para evitar la acumulación de humedad.</li> </ul>
Se forman gotas de agua fuera del refrigerador.	<ul style="list-style-type: none"> <li>• Revise los empaques de la puerta para ver si sellan correctamente. Los empaques deben sellar ajustadamente al gabinete.</li> <li>• Es normal durante períodos de alta humedad o si se abren las puertas con mucha frecuencia.</li> </ul>
Los cajones de para carne o para verduras no cierran con facilidad(en algunos modelos).	<ul style="list-style-type: none"> <li>• Revise si hay un paquete que impida que cierre bien el cajón.</li> <li>• Compruebe que el cajón esté en la posición correcta.</li> <li>• Limpie los canales del cajón con agua tibia y jabonosa. Enjuague y seque bien.</li> <li>• Aplique una capa delgada de vaselina a los canales del cajón.</li> <li>• Compruebe que el refrigerador esté nivelado.</li> </ul>
El refrigerador tiene mal olor.	<ul style="list-style-type: none"> <li>• Consulte las instrucciones para la "Eliminación de olores" en la sección de "Cuidado y limpieza".</li> </ul>

## Guía de localización y reparación de averías

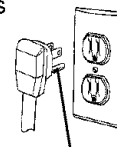
Problema	Solución
Los cubos de hielo tienen mal olor.	<ul style="list-style-type: none"> <li>• Consulte las instrucciones para la "Eliminación de olores" en la sección de "Cuidado y limpieza".</li> <li>• La máquina para hacer hielo se instaló recientemente. Deseche varios lotes de hielo para evitar hielos descoloridos o con mal sabor.</li> <li>• Hay alimentos que no están bien sellados en el compartimiento del refrigerador o del congelador. Vuelva a envolver los alimentos ya que los olores pueden impregnar el hielo si los alimentos no están apropiadamente envueltos.</li> <li>• Deseche el hielo y lave el recipiente más frecuentemente. Los cubos de hielo son porosos y absorben fácilmente los olores.</li> <li>• El suministro de agua contiene minerales tales como sulfuro.</li> </ul>
Los cubos de hielo se pegan o se "encogen".	<ul style="list-style-type: none"> <li>• Vacíe el recipiente o las bandejas para hielo con más frecuencia. Si se usan con poca frecuencia, los cubos pueden pegarse o encogerse.</li> </ul>
La máquina de hielo(en algunos modelos) no está haciendo hielo.	<ul style="list-style-type: none"> <li>• La presión del agua puede estar muy baja o muy alta. La máquina de hielo requiere una presión de agua de 20 a 120 psi para funcionar de modo apropiado.</li> <li>• Compruebe que el brazo de la máquina de hielo está hacia abajo. Vea la sección "Máquina de hielo automática".</li> <li>• Compruebe que el suministro de agua de la casa llega a la válvula de agua. Asegúrese que la válvula de cierre del suministro principal de agua esté completamente abierta.</li> <li>• Compruebe que los alambres del arnés de la máquina de hielo están completamente dentro de los orificios apropiados.</li> <li>• Revise para ver si hay torceduras en las tuberías de cobre o de plástico. Elimine las torceduras o reemplace la tubería.</li> <li>• Revise las conexiones eléctricas al serpentín de la válvula del agua y el bloc conector en el gabinete del refrigerador.</li> <li>• Si se instaló un filtro de agua en la línea de agua afuera del refrigerador, revise el filtro para ver si hay obstrucciones o si fue instalado incorrectamente.</li> </ul>
La máquina de hielo(en algunos modelos) no produce suficiente hielo.	<ul style="list-style-type: none"> <li>• La máquina de hielo se instaló recientemente o se usó recientemente una cantidad grande de hielo. Espere 24 horas para que la producción de hielo comience y para que la máquina de hielo se surta después de ser vaciada.</li> <li>• Compruebe que el suministro de agua llega a la válvula de agua. Asegúrese que la llave de la válvula de agua esté completamente abierta.</li> <li>• Se usó una válvula de tipo de penetración o de silla de <math>\frac{3}{16}</math>" para la conexión. Ambas reducen el flujo de agua y pueden obstruirse con el tiempo. Reemplace estas válvulas con el tipo correcto de válvula de silla que requiere que se haga un orificio de <math>\frac{1}{4}</math>" en la tubería de suministro de agua antes de conectar la válvula.</li> <li>• Elimine las torceduras o reemplace la tubería.</li> <li>• Compruebe que la sección del congelador está funcionando a la temperatura apropiada. El congelador debe estar lo suficientemente frío para producir hielo. Vea la sección de "Ajuste de los controles".</li> </ul>
Se forma hielo en el tubo de entrada de la máquina de hielo(en algunos modelos).	<ul style="list-style-type: none"> <li>• Revise la presión del agua. La presión de agua baja causa que la válvula gotee.</li> </ul>

## Normes électriques

 Ce symbole signale une mesure de sécurité.

 **MISE EN GARDE:** Ne pas utiliser d'adaptateur à deux broches. Ne pas utiliser de rallonge.

Instructions de mise à la terre — Ce réfrigérateur est muni d'une fiche à 3 broches pour prévenir les risques d'électrocution. Si la prise de courant disponible convient uniquement à une fiche à 2 broches, contacter un électricien qualifié et la faire remplacer par une prise de courant à 3 orifices correctement reliée à la terre, conformément au Code national de l'électricité.



Le réfrigérateur est conçu pour fonctionner sur une ligne séparée de 60 Hz, 15 A, de 103 à 126 V.

Ne jamais, en aucune circonstance, couper ou enlever la broche ronde de mise à la terre de la fiche. Le réfrigérateur doit être relié à la terre en tout temps. Ne pas enlever l'étiquette de mise en garde du cordon d'alimentation.

Broche de mise à la terre

 **DANGER**

### Mise au rebut du réfrigérateur

**IMPORTANT:** Les enfants qui se trouvent enfermés dans un réfrigérateur et y meurent d'asphyxie ne sont pas un problème du passé. Les réfrigérateurs mis au rebut ou abandonnés sont encore dangereux, même s'ils ne sont là que « pour quelques jours ». Lors de la mise au rebut d'un réfrigérateur, veiller à suivre les indications ci-dessous pour éviter les accidents.

#### AVANT DE JETER VOTRE VIEUX RÉFRIGÉRATEUR OU CONGÉLATEUR:

- Enlever les portes.
- Laisser les tablettes en place de façon à ce que les enfants aient des difficultés se glisser à l'intérieur.



## Garantie

### Garantie complète d'un an sur le réfrigérateur

En cas de défectuosité dans les pièces et la main-d'oeuvre, Sears réparera sans frais le réfrigérateur pour une période d'un an à partir de la date d'achat, si le réfrigérateur est utilisé et entretenu conformément aux consignes fournies avec l'appareil.

### Garantie complète de cinq ans sur le système de réfrigération scellé

En cas de défectuosité dans les pièces et la main-d'oeuvre, Sears réparera sans frais le système de réfrigération scellé (composé du réfrigérateur, du moteur du compresseur et du tuyau de raccordement) pour une période de cinq ans à partir de la date d'achat, si le réfrigérateur est utilisé et entretenu conformément aux consignes fournies avec l'appareil.

La couverture relative à la garantie s'applique uniquement aux réfrigérateurs utilisés à des fins non commerciales dans une résidence privée. Exclut les cartouches originales et de rechange pour filtre à glace et à eau Kenmore (si l'appareil est doté d'un système de filtre). Les cartouches originales et de rechange sont garanties pendant 30 jours (pièces seulement).

Les prestations de garantie sont disponibles en appelant le 1-800-4-MY-HOME (1-800-469-5811).

Cette garantie s'applique uniquement lorsque ce produit est utilisé aux États-Unis.

Cette garantie vous donne des droits légaux particuliers, et vous pouvez jouir d'autres droits selon votre province de résidence.

Sears, Roebuck and Co., Dept. 817WA, Hoffman Estates, IL 60179, États-Unis

FRANÇAIS

## Lire et conserver ces instructions

Indiquer ci-dessous dans l'espace prévu à cet effet les numéros de modèle et de série qui se trouvent sur la plaque signalétique située sur la paroi gauche supérieure du compartiment réfrigérateur.

Numéro de modèle : 596. \_\_\_\_\_

Numéro de sériel: \_\_\_\_\_

Date d'achat : \_\_\_\_\_

## Table des matières

Normes électriques .....	31
Mise au rebut du réfrigérateur .....	31
Garantie .....	31
Lire et conserver ces instructions .....	31
Liste de contrôle d'installation .....	32
Consignes de mise en service .....	32
Espace nécessaire .....	32
Mise à niveau du réfrigérateur et alignement des portes .....	33
Retrait des poignées .....	33
Retrait des portes .....	34
Installation de la cartouche de filtration d'eau (certains modèles) .....	34
Raccordement de l'alimentation en eau (certains modèles) .....	34
Commandes .....	35
Commandes du réfrigérateur et du congélateur .....	35
Réglage des commandes .....	35
Caractéristiques du compartiment aliments frais .....	35
Tablettes du compartiment aliments frais .....	35
Bac à viande .....	36
Bacs à légumes .....	36
Support à bouteille (certains modèles) .....	36
Bac utilitaire avec couvercle (certains modèles) .....	37
Casier laitier .....	37
Milk Savor™ .....	37
Compartiments de porte et clayettes .....	38
Séparateur réglable (certains modèles) .....	38
Conteneur de grands emballages (certains modèles) .....	38
Caractéristiques du congélateur .....	38
Appareil à glaçons automatique (certains modèles) .....	38
Paniers de rangement de nourriture .....	39
Tablette pour jus/amuse-gueule .....	39
Distributeur glace et eau (certains modèles) .....	39
Entretien et nettoyage .....	41
Général .....	41
Adhésifs .....	41
Joint de porte .....	41
Bobines de condensateur .....	41
Tablettes en verre .....	41
Suppression des odeurs .....	41
Remplacement de l'ampoule électrique .....	42
Conseils pour des économies d'énergie .....	43
Conseils pour les vacances .....	43
Bruits de fonctionnement normaux .....	43
Guide de dépannage du réfrigérateur .....	44

## Liste de contrôle d'installation

Vérifier ce qui suit pour assurer le fonctionnement adéquat du réfrigérateur.

### Portes

- S'assurer que les poignées sont solidement fixées si elles ont été retirées ou inversées.
- Les portes sont bien scellées au réfrigérateur.
- Les portes sont d'équerre.

### Mise à niveau

- Le réfrigérateur est incliné de ¼ po (6 mm) de l'avant vers l'arrière.
- S'assurer que les portes sont de niveau dans la partie supérieure des portes du réfrigérateur.

- S'assurer que le réfrigérateur est de niveau d'un côté à l'autre et de l'avant vers l'arrière.

### Appareil à glaçons

- L'alimentation en eau du réfrigérateur fonctionne.
- Aucune fuite n'est présente dans le raccord entre l'alimentation en eau de la maison et le réfrigérateur. (Après 24 heures, le propriétaire doit vérifier qu'il n'y a pas de fuite dans le raccord.)
- Le bras de l'appareil à glaçons est en position « on » (marche). Celui-ci est donc prêt à fabriquer des glaçons. (La fabrication du premier lot de glace peut prendre jusqu'à 24 heures.)

### Électricité

- Le réfrigérateur est branché dans une prise de courant à 3 broches correctement mise à la terre.

### Filtre à eau

- Vérifier que la cartouche de dérivation a été retirée du dispositif de filtration et du filtre d'eau (voir les consignes d'utilisation et de mise en service qui accompagnent le filtre d'eau.)
- Vérifier qu'il n'y a pas de fuites autour de la tête du filtre à eau.
- Si le filtre à eau est installé, la pression d'eau vers le réfrigérateur doit être d'au moins 35 lb/po<sup>2</sup>.
- Conserver la cartouche de dérivation et l'utiliser si la cartouche du filtre à eau devient obstruée avant d'acheter un filtre de rechange.

## Consignes de mise en service

Une mise en service correctement effectuée assure le fonctionnement efficace du réfrigérateur.

### Espace nécessaire



## MISE EN GARDE

Vérifier que la cartouche de dérivation a été retirée du dispositif de filtration et du filtre d'eau (voir les consignes d'utilisation et de mise en service qui accompagnent le filtre d'eau).

- Laisser un espace de 1 po (2,5 cm) au haut et sur les côtés du réfrigérateur pour assurer un apport d'air suffisant.
- Si le réfrigérateur est équipé d'un appareil à glaçons, veiller à laisser suffisamment d'espace à l'arrière pour le raccordement à l'alimentation en eau. S'il n'est pas équipé d'appareil à glaçons, il peut toucher le mur arrière.
- Si le réfrigérateur est placé près d'un mur ou d'une cloison, laisser un minimum de 2 ¾ po (7 cm) de chaque côté (en fonction du modèle) pour permettre l'ouverture de la porte à 90 °.

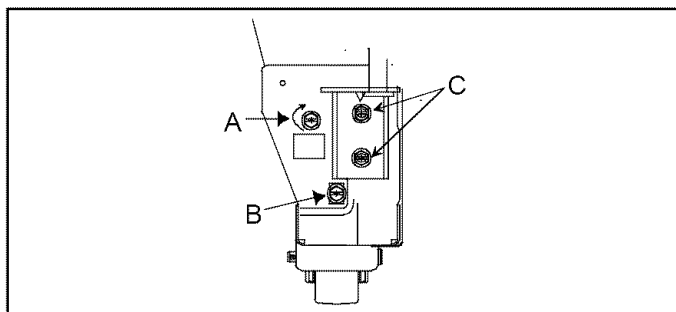
**REMARQUE :** Ne pas placer le réfrigérateur près d'un four, d'un radiateur ou d'une autre source de chaleur ni dans un endroit où la température risque de tomber au-dessous de 55 °F (13 °C).

### Mise à niveau du réfrigérateur et alignement des portes

Si le réfrigérateur ne demeure pas stable sur le plancher, procéder comme suit :

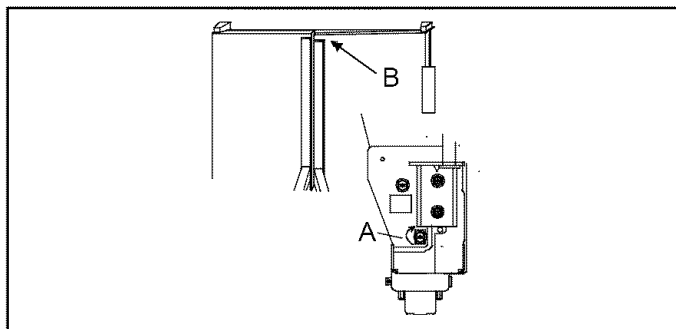
- Déterminer quel coin arrière est instable.

- Retirer la grille pour avoir accès aux vis de réglage du roulement.
- Tourner la vis de réglage du roulement arrière dans le sens des aiguilles d'une montre pour soulever le coin instable.



A— Vis de réglage de roulement arrière  
 B— Vis de réglage de roulement avant  
 C— Vis des charnières de porte

- Vérifier l'alignement de la partie supérieure des portes. Si les portes sont de niveau, remettre la grille en place. Si les parties supérieures des portes ne sont pas de niveau, procéder comme suit :
- Déterminer quelle porte doit être soulevée (si la grille n'a pas été retirée, procéder immédiatement).
- Tourner la vis de réglage de roulement avant dans le sens des aiguilles d'une montre pour soulever le coin avant de la porte qui doit être soulevée. La vis de réglage de roulement doit être vissée jusqu'à ce que les portes soient de niveau.
- Remettre la grille en place.



A— Tourner la vis de réglage de roulement dans le sens des aiguilles d'une montre pour soulever la porte.  
 B— Tourner la vis de réglage de roulement dans le sens des aiguilles d'une montre jusqu'à ce que les portes soient de niveau.

### Retrait des poignées

#### Outils nécessaires

Couteau à mastic (lame recouverte de ruban-masque)  
 Tourne-écrou de  $\frac{5}{16}$  po      Tourne-écrou de  $\frac{3}{8}$  po  
 Tournevis cruciforme      Tournevis à lame plate



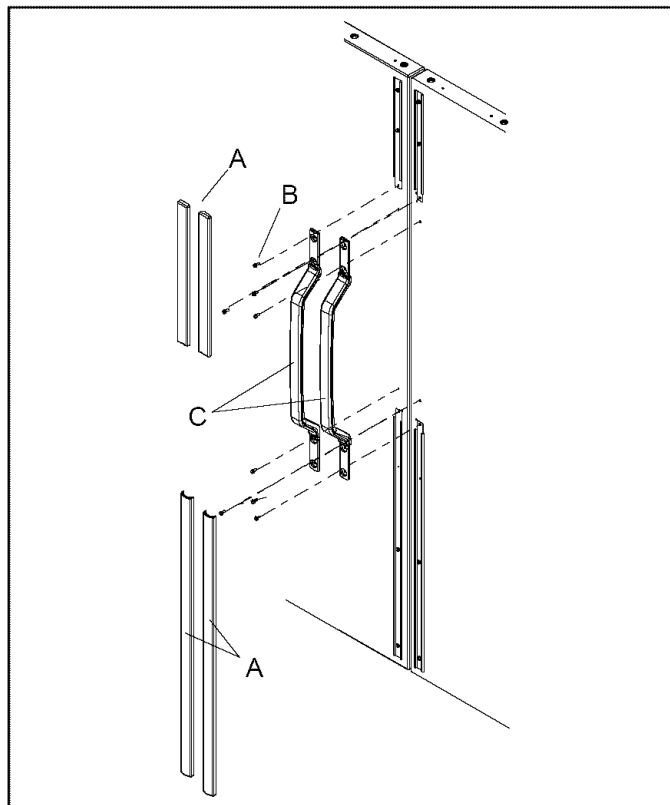
### MISE EN GARDE

Pour éviter tout risque d'électrocution susceptible de causer des blessures graves voire mortelles, débrancher l'alimentation en électricité du réfrigérateur avant de retirer les portes. Après avoir remis les portes en place, rebrancher le réfrigérateur.

Certaines installations nécessitent le retrait des poignées

avant de mettre le réfrigérateur dans l'espace prévu à cet effet. Le cas échéant, procéder comme suit:

- Soulever le rebord des moulures de la poignée au moyen d'un couteau à mastic, en recouvrant l'extrémité de la lame de ruban-masque. Retirer la poignée de la porte en enlevant les 2 vis de montage à chaque extrémité de la poignée.

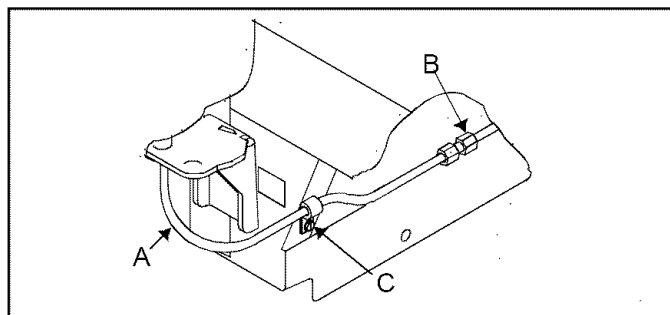


A— Moulures de la poignée      C— Poignées  
 B— Vis de la poignée      D— Moulures de la poignée

### Retrait des portes

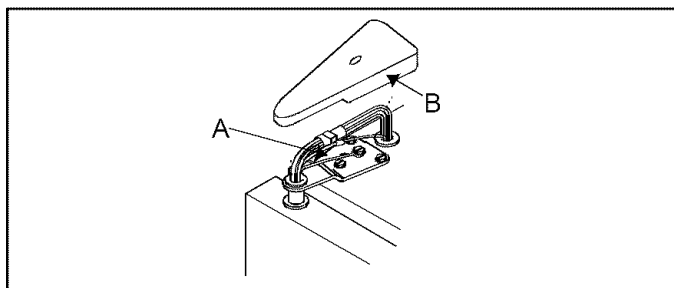
Certaines installations peuvent nécessiter le retrait des portes avant de mettre le réfrigérateur dans l'espace prévu à cet effet. Le cas échéant, procéder comme suit :

1. Retirer la grille.
2. **Pour appareils avec distributeur d'eau et de glace seulement.**  
 Desserrer la vis de serrage du tuyau d'eau. Desserrer l'écrou de raccordement en plastique du tuyau d'eau. Tirer le tuyau d'eau hors de l'écrou de raccordement et à travers le collier de serrage du tuyau.



A— Tuyau d'eau  
 B— Écrou de raccordement en plastique du tuyau d'eau  
 C— Vis de serrage du tuyau d'eau

- Retirer la vis de la charnière supérieure en enlevant la vis du couvre-charnière avec un tournevis cruciforme.

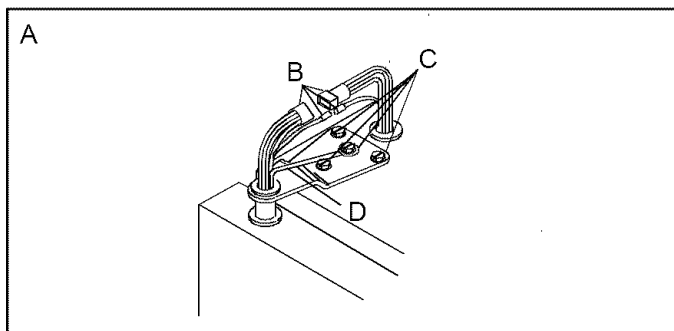


A— Charnière supérieure B— Couvre-charnière

### ⚠ MISE EN GARDE

Pour éviter tout risque d'électrocution pouvant causer des blessures graves, voire mortelles, le fil de mise à la terre vert doit rester fixé à la charnière.

- Débrancher les serre-fils de la charnière supérieure. Ne pas retirer le fil de mise à la terre vert de la charnière (Porte du congélateur des appareils munis de distributeurs d'eau et de glace seulement). Retirer les vis de la charnière supérieure. Soulever soigneusement et enlever les charnières supérieures.



A— Porte du congélateur C— Vis de la charnière supérieure  
B— Serre-fils D— Fil de mise à la terre vert

- Soulever doucement les portes hors de la charnière inférieure.
- Remettre les portes en place en procédant à l'inverse des étapes 1 à 5.

## Installation de la cartouche de filtration d'eau (certains modèles)

La cartouche de dérivation doit être retirée avant de raccorder la conduite d'eau à l'appareil.

- Retirer la cartouche de dérivation de la tête du filtre à eau dans le coin arrière droit du compartiment réfrigérateur. Tourner la cartouche d'un quart de tour dans le sens contraire des aiguilles d'une montre et tirer pour la retirer. Conserver la cartouche de dérivation pour l'utiliser à une date ultérieure.
- Voir la rubrique Installation du système de filtration de l'eau et les Instructions de mise en service fournies avec la cartouche du filtre à eau pour installer et faire fonctionner le filtre.

## Raccordement de l'alimentation en eau

### ⚠ MISE EN GARDE

Pour éviter tout risque d'électrocution pouvant causer des blessures graves, voire mortelles, débrancher l'alimentation en électricité du réfrigérateur avant de raccorder l'alimentation en eau. Après avoir raccordé l'alimentation en eau, brancher le réfrigérateur.

### ⚠ PRECAUCIÓN

Pour éviter tous dommages matériels, observer les recommandations suivantes :

- Vérifier que la cartouche de dérivation a bien été retirée et remplacée par le filtre d'eau dans le dispositif de filtration de l'eau.
- Vérifier que la pression d'eau est située entre 20 et 120 lb par pouce carré.
- Commencer à visser les écrous de la conduite à la main en veillant à ne pas fausser le filetage. Finir de les visser à l'aide d'une clé à molette et de pinces. Ne pas trop serrer.
- Vérifier qu'il n'y a pas de fuites avant de remettre le réfrigérateur à son emplacement normal. Bien s'assurer qu'il n'y a pas de fuites 24 heures après le raccordement.
- Si un filtre à eau doit être installé, la pression d'eau doit être au minimum de 35 lb par pouce carré.

### Important

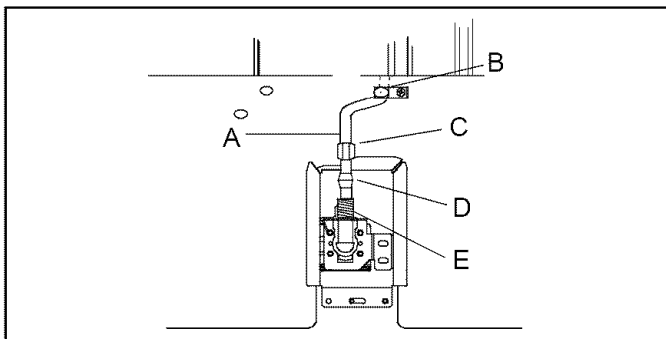
- Avant de brancher l'alimentation en eau, contacter un plombier pour raccorder la conduite en cuivre sur l'arrivée d'eau de la maison conformément aux codes et règlements locaux.
- Ne pas utiliser de soupape à étrier autoperçante ni de soupape à étrier de  $\frac{3}{16}$  po (4,8 mm). Une soupape d'arrêt adéquate exige le perçage d'un trou de  $\frac{1}{4}$  po (6,35 mm) dans un tuyau d'alimentation en eau avant de fixer la soupape.
- Ne pas utiliser de tuyau en plastique.
- Ne pas raccorder de tuyau à partir de l'alimentation en eau dans un endroit où la température peut être inférieure à 55 °F.

### Matériel nécessaire

Conduite en cuivre flexible de  $\frac{1}{4}$  po (6 mm). La longueur de la conduite doit être suffisante pour couvrir la distance entre le réfrigérateur et le point de raccordement à l'alimentation en eau, additionnée de 8 pi (2 m) pour former, à l'arrière du réfrigérateur, une boucle permettant le déplacement de celui-ci.

### Procédure

- Retirer le capuchon en plastique du port de soupape d'entrée d'eau. Placer l'écrou en laiton et le manchon en laiton dans la conduite en cuivre. Insérer la conduite en cuivre dans le port de soupape d'entrée d'eau. Serrer à la main l'écrou en laiton se trouvant sur la conduite en cuivre en le raccordant au port de soupape d'entrée d'eau. Utiliser une clé à molette pour serrer l'écrou. Ne pas trop serrer. S'assurer que la conduite en cuivre est bien en place en tirant dessus.



A—Conduite en cuivre  
 B—Bride de serrage en P  
 C—Écrou en laiton  
 D—Manchon en laiton  
 E—Raccord de soupape d'entrée d'eau

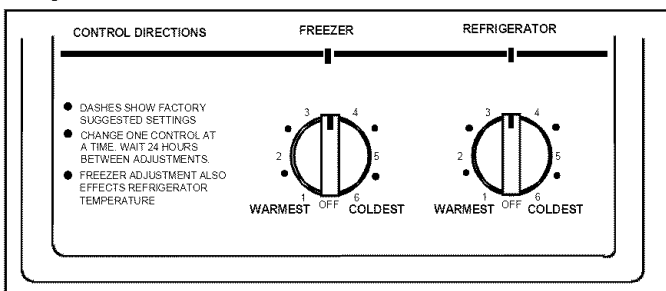
- Former des boucles dans la conduite en prenant soin de ne pas créer des coques. **Fixer la conduite en cuivre au réfrigérateur à l'aide de la bride en P.**
- Ouvrir l'arrivée d'eau du réfrigérateur et vérifier qu'il n'y a pas de fuite. Réparer toute fuite éventuelle.
- Déplacer le réfrigérateur à l'endroit désiré. Vérifier de nouveau la présence de fuites après 24 heures.

## Commandes

Ce réfrigérateur fonctionne de façon plus efficace lorsque la température ambiante se situe entre 55 et 110 °F (13 à 43 °C).

## Commandes du réfrigérateur et du congélateur

Les commandes du réfrigérateur et du congélateur sont situées sur la partie arrière supérieure du compartiment réfrigérateur.



## Réglage des commandes

Lorsque la commande du congélateur est en position **OFF** (arrêt), ni l'un ni l'autre du compartiment congélateur ou du compartiment réfrigérateur ne se refroidiront. Au départ, régler ces deux commandes sur 4. Attendre 24 heures avant que les compartiments congélateur et réfrigérateur aient atteint les températures désirées. Après 24 heures, régler les commandes sur les valeurs désirées, 1 chiffre à la fois. Le réglage le plus chaud est 1 tandis que 6 est le réglage le plus froid.

Régler les commandes avec précision à l'aide d'un thermomètre domestique dont les températures se situent entre -5 et 50 °F (-21 et 10 °C).

Placer le thermomètre entre les emballages congelés dans le compartiment congélateur. Attendre 5 à 8 heures.

Si la température du congélateur ne se situe pas entre 0 et 2 °F (-17 et -16 °C), régler la commande du congélateur, 1 chiffre à la fois. Vérifier de nouveau après 5 à 8 heures.

Placer le thermomètre dans un verre d'eau au milieu du compartiment réfrigérateur. Attendre 5 à 8 heures. Si la température du réfrigérateur ne se situe pas entre 38 et 40 °F (3 et 4 °C), régler la commande du réfrigérateur, 1 chiffre à la fois. Vérifier de nouveau après 5 à 8 heures.

## Caractéristiques du compartiment aliments frais

### Tablettes du compartiment aliments frais

Les différents modèles sont équipés de grilles ou de tablettes en verre, réglables en fonction des besoins de rangement. Les modèles comprennent des clayettes anti-éclaboussures. Certains modèles comprennent également des clayettes coulissantes.

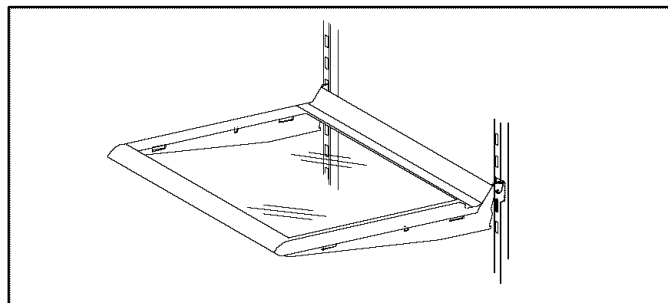
### PRECAUCIÓN

Afin d'éviter tout dégât matériel, s'assurer que la tablette est stable avant d'y placer des articles.

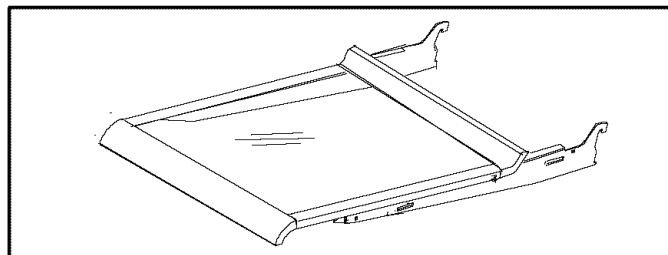
### PRECAUCIÓN

Pour éviter toute blessure et tout dommage matériel, manipuler les tablettes en verre trempé avec prudence. Elles risquent en effet de se briser brusquement si elles sont éraflées, ébréchées ou soumises à de brusques changements de température.

- Pour enlever les tablettes, en soulever l'avant et décrocher les crochets de la crémaillère métallique, puis tirer.
- Pour remettre les tablettes en place, insérer les crochets sur la crémaillère métallique et abaisser l'avant de la tablette.



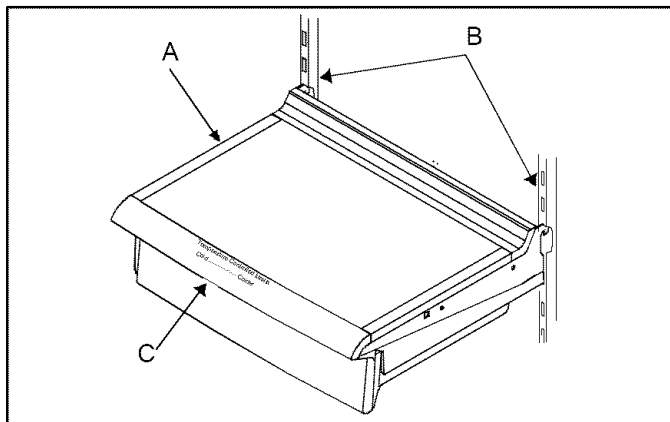
Les tablettes coulissantes peuvent être tirées vers l'avant pour faciliter l'accès aux articles qui se trouvent à l'arrière.



## Bac à viande

Le bac à viande se compose d'un tiroir entouré d'un manchon. De l'air en provenance du congélateur circule entre le tiroir et le manchon, gardant ainsi les aliments frais plus longtemps et à une température jusqu'à 5 °F (3 °C) plus froide que dans le reste du compartiment réfrigérateur. Localiser, sous la garniture avant, le commande (certains modèles de moduler la circulation de l'air du bac à viande. Faire coulisser le thermostat sur *COLD* (froid) pour que la température soit similaire à celle du compartiment réfrigérateur et sur *COLDER* (plus froid) pour une température plus froide. Des cristaux de glace peuvent se former dans le tiroir sur le réglage *COLDER*. L'air froid qui circule autour du tiroir peut légèrement faire baisser la température du compartiment réfrigérateur, dont le thermostat peut devoir être modifié.

- Pour enlever le tiroir, le soulever et tirer. Pour enlever les tablettes, en soulever l'avant et décrocher les crochets de la crémaillère métallique.
- Remettre la clayette en place en insérant les crochets dans la crémaillère en métal\* et en abaissant la partie avant.
  - \* Si le bac est doté d'une commande de température, utiliser les repères 8 à 11 seulement. Remettre le bac en place en le faisant coulisser. S'assurer que la gaine se trouve au-dessus de l'arrivée d'air dans la paroi latérale.



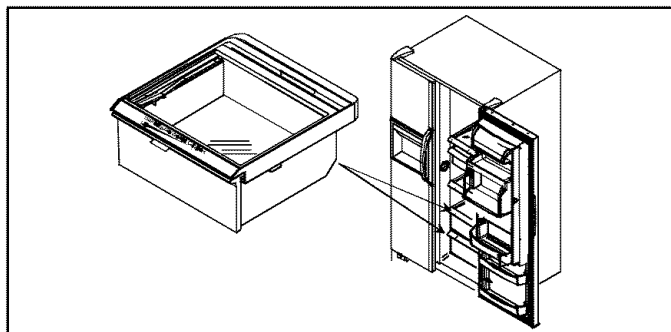
- A—L'ouverture du bac à viande se trouve de ce côté  
B—Crémaillères métalliques  
C—Commande (certains modèles)

## Bacs à légumes

Les bacs à légumes servent au rangement des aliments frais. Placer ces derniers dans des sachets ou des récipients hermétiquement fermés à l'épreuve de l'humidité pour qu'ils se conservent plus longtemps.

Ne pas les laver avant de les placer dans les bacs car l'excès d'eau pourrait les faire pourrir prématurément. Ne pas tapisser les bacs d'essuie-tout car ceux-ci retiennent l'humidité.

Localiser, sous la garniture avant, la commande permettant de régler le degré d'humidité dans les bacs (certains modèles). La mettre sur *HIGH* (élevé) pour les légumes feuillus comme la laitue, les épinards ou le chou. La mettre sur *LOW* (faible) pour les fruits et légumes qui ont une peau comme les choux-fleurs, le maïs ou les tomates.



## PRECAUCIÓN

Pour éviter tous dégâts matériels ou toutes blessures graves, manipuler les clayettes en verre trempé avec soin. Les clayettes peuvent se casser soudainement si elles sont entaillées, égratignées ou exposées à un changement soudain de température.

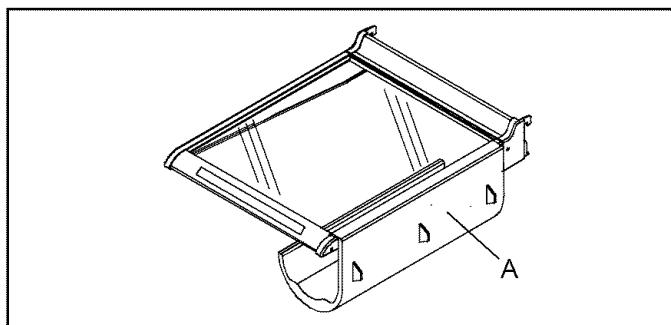
Procéder comme suit pour enlever les bacs à légumes et les tablettes :

1. Ouvrir le bac.
2. Pour enlever la tablette, la soulever soigneusement par en dessous. Incliner une extrémité vers le haut puis tirer.
3. Pour enlever le bac à légumes, en soulever l'avant tout en le soutenant par en dessous puis tirer.
4. Replacer les bacs à légumes et la tablette en procédant à l'inverse des étapes 1 à 3.

## Support à bouteille (certains modèles)

Le support à bouteille permet de ranger une grande bouteille, des oeufs, etc.

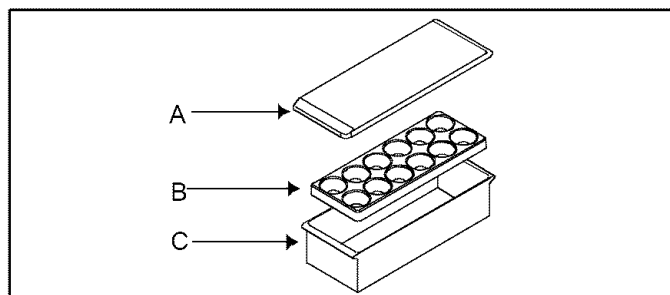
- Suspendre le support au-dessus du côté de la tablette.



A—Support à bouteille

## Bac utilitaire avec couvercle (certains modèles)

Le bac utilitaire comporte un oeufrier amovible. Lorsque l'oeufrier est retiré, le bac peut recevoir des articles tels que des cartons d'oeufs, de la glace, etc.



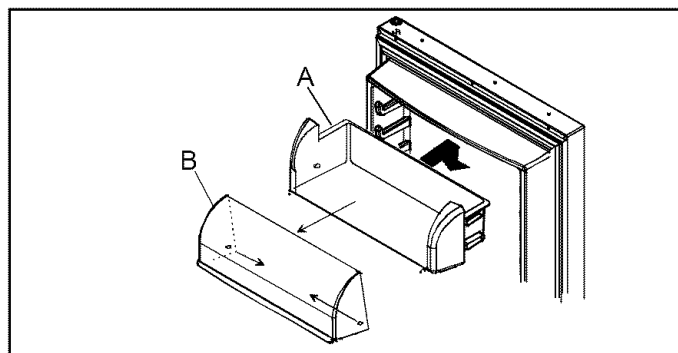
A—Couvercle B—Oeufrier C—Bac utilitaire

## Casier laitier

Le casier laitier offre un espace de rangement pour des articles tels que le beurre, le fromage, etc.

Le casier laitier est réglable pour satisfaire aux besoins de rangement. Le casier laitier peut aussi être retiré à des fins de nettoyage. Pour retirer le casier laitier, procéder comme suit :

- Retirer le couvercle du casier laitier en l'ouvrant. Pousser le couvercle vers l'intérieur à des points de pivot et tirer le couvercle. Soulever le casier laitier vers le haut et le tirer pour l'enlever.
- Replacer le casier laitier en inversant la procédure.

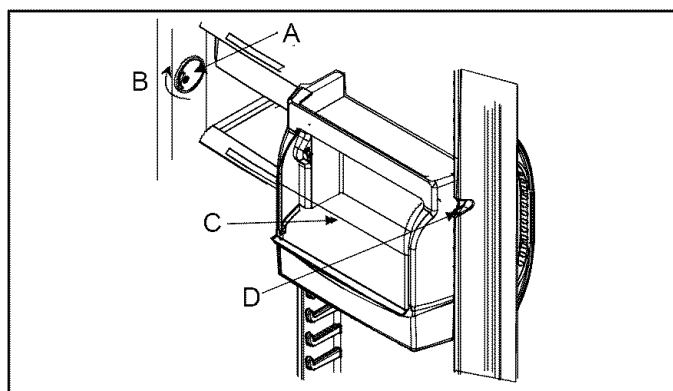


A—Casier laitier B—Couvercle du casier laitier

## Milk Savor™ (certains modèles)

Le Milk Savor™ jusqu'à 5 °F (3 °C) plus froides que le compartiment réfrigérateur. L'entrée d'air permet à l'air du compartiment congélateur de circuler dans le rMilk Savor™. L'entrée d'air est située dans la paroi intérieure de la porte du compartiment réfrigérateur.

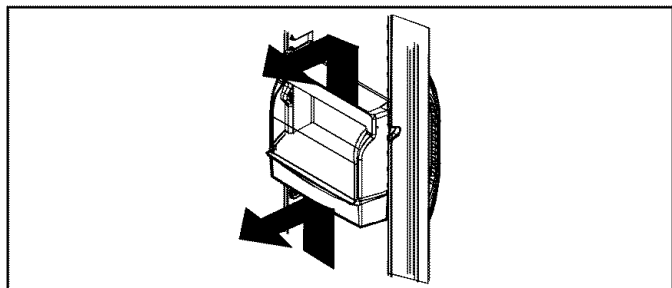
La commande du Milk Savor™ est située sur la paroi avant gauche du compartiment réfrigérateur. La commande règle la quantité d'air circulant dans le Milk Savor™. Tourner la commande sur *COLD* (froid) pour obtenir la température normale du compartiment réfrigérateur et sur *COLDER* (plus froid) pour une température plus froide.



A—Thermostat du Milk Savor™ C—Porte du Milk Savor™  
B—Tourner dans le sens des aiguilles d'une montre pour un réglage plus froid D—Entrée d'air du Milk Savor™

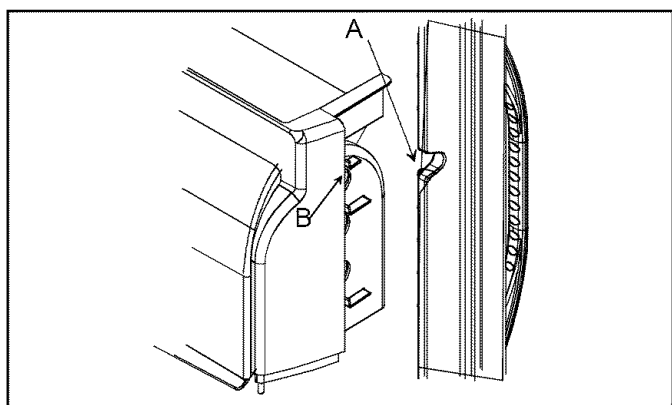
La position du refroidisseur de boissons se règle pour satisfaire aux besoins de rangement. Le refroidisseur de boissons peut aussi être retiré pour le nettoyage. Pour retirer le refroidisseur de boissons, procéder comme suit :

1. Saisir le refroidisseur de boissons en soulevant les côtés puis en tirant. Retirer la partie inférieure du refroidisseur de boissons en la poussant vers le haut et en tirant.



2. Pour replacer, faire glisser la partie inférieure du Milk Savor™ entre les crémaillères désirées dans la porte et pousser le Milk Savor™ en place. Faire glisser la partie supérieure du Milk Savor™ entre les crémaillères désirées dans la porte et pousser la partie supérieure du Milk Savor™ en place par-dessus la partie inférieure du Milk Savor™.

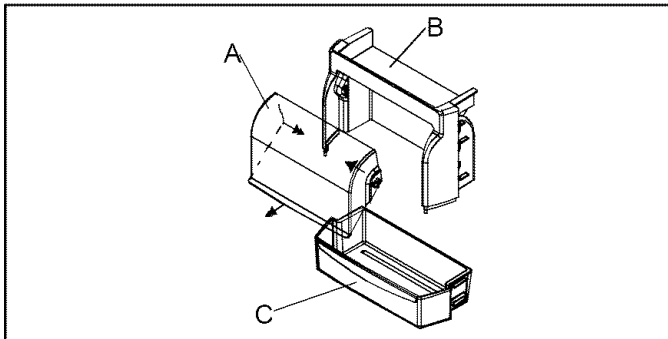
- L'encoche de la porte doit être alignée avec l'un des orifices d'entrée d'air froid du Milk Savor™.



A—Encoche de la porte

## B— Entrées d'air froid du refroidisseur de boissons

- Retirer le refroidisseur de boissons en ouvrant le couvercle. Pousser le couvercle vers l'intérieur aux points de pivot et tirer le couvercle vers l'extérieur. Remettre le couvercle en place en procédant à l'inverse.



A— Couvercle du refroidisseur de boissons  
B— Dessous du refroidisseur de boissons  
C— Dessus du refroidisseur de boissons

## Compartiments de porte et clayettes

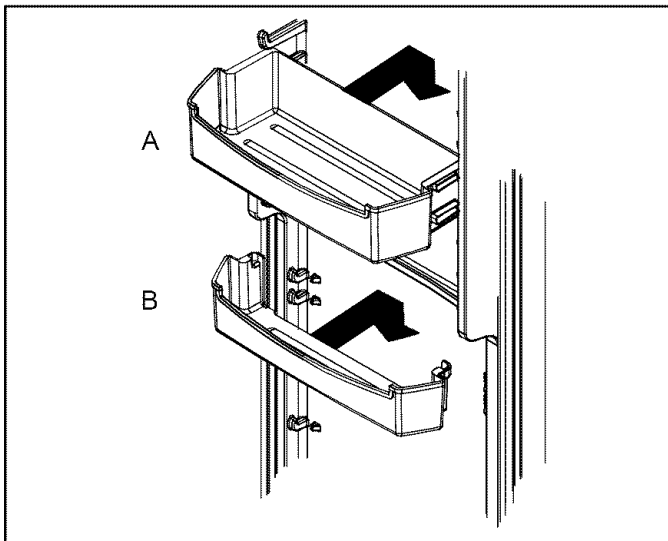
Les compartiments de porte sont ajustables pour s'adapter aux besoins de rangement.



### PRECAUCIÓN

Pour éviter tous dommages matériels, s'assurer que la tablette est bien fixée avant de replacer les articles sur la tablette.

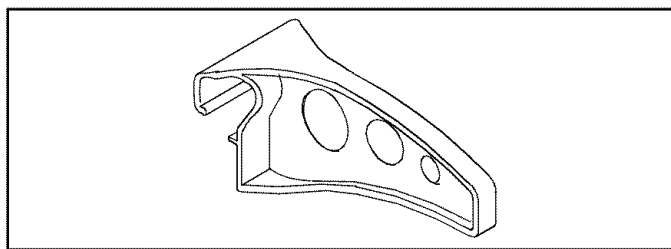
- Enlever les compartiments de porte en les poussant vers le haut et en tirant.
- Replacer les compartiments de porte en les faisant glisser jusqu'à ce que les attaches soient bien verrouillées.



A— Compartiment de porte B— Clayette de porte

## Séparateur réglable (certains modèles)

Le séparateur réglable permet de garder les articles en place et d'adapter le réfrigérateur aux besoins individuels de rangement. Le séparateur convient à tout compartiment ou clayette de porte.

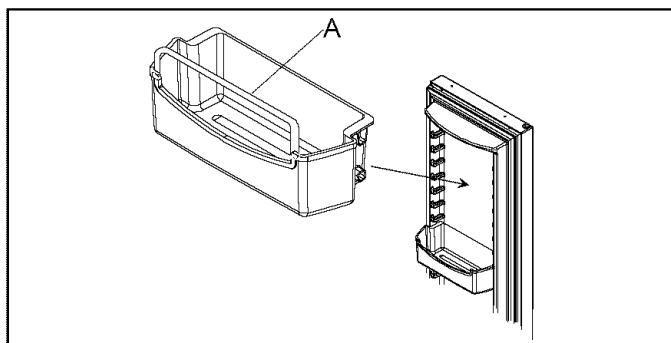


## Conteneur de grands emballages (certains modèles)

Le conteneur de grands emballages permet de retenir solidement les grands articles. Il peut être installé dans tout compartiment ou clayette de porte et se règle à deux hauteurs différentes.

Pour installer le conteneur de grands emballages, l'insérer dans les trous de chaque côté du compartiment ou de la clayette de porte.

- Pour régler plus haut, installer le conteneur de grands emballages en plaçant les boutons se trouvant sur le conteneur face à l'extérieur.
- Pour régler plus bas, installer le conteneur de grand emballages en plaçant les boutons se trouvant sur le conteneur face à l'intérieur. Les boutons glissent dans les trous du conteneur à l'intérieur du compartiment avant.



A—Conteneur de grands emballages

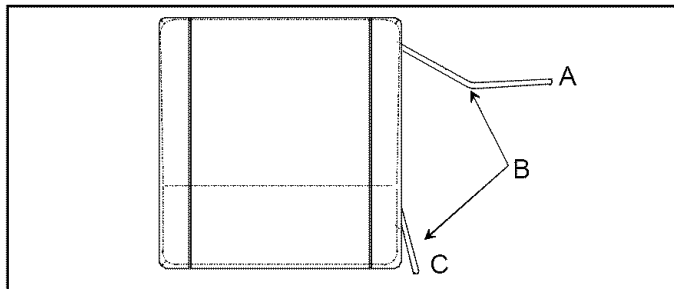
## Caractéristiques du congélateur

### Appareil à glaçons automatique (certains modèles)

- S'assurer que le seau est en place et que le bras de l'appareil est tourné vers le bas.
  - Après que le compartiment congélateur a atteint une température normale, l'appareil à glaçons se remplit d'eau et commence à fonctionner. Attendre 24 à 48 heures suite à l'installation avant que le premier lot de glaçons ne soit fabriqué. L'appareil à glaçons fabrique de 7 à 9 lots de glaçons durant une période de 24 heures dans des conditions idéales.
  - Après que la glace s'est formée, l'appareil à glaçons laisse tomber les glaçons dans le seau à glace. Durant la fabrication des glaçons, le bras de l'appareil à glaçons se lève et s'abaisse. Lorsque le seau à glace est plein, le bras de l'appareil à glaçons arrête celui-ci.
- Remarque :** Jeter les trois premiers lots de glaçons suite au branchement du réfrigérateur à l'alimentation en eau domestique et après une période prolongée d'inutilisation. Cela empêchera la consommation de

toute impureté qui reste dans le tuyau ou d'utiliser des glaçons qui ont un mauvais goût.

- Soulever le bras de l'appareil à glaçons pour cesser la fabrication de glaçons. Un déclic se fait entendre lorsque la position appropriée est atteinte. Le bras de l'appareil à glaçons demeure en position « off » (arrêt) jusqu'à ce qu'il soit poussé vers le bas.



A— Position « off » (arrêt) C— Position « on » (marche)  
B— Bras de l'appareil à glaçons



## PRECAUCIÓN

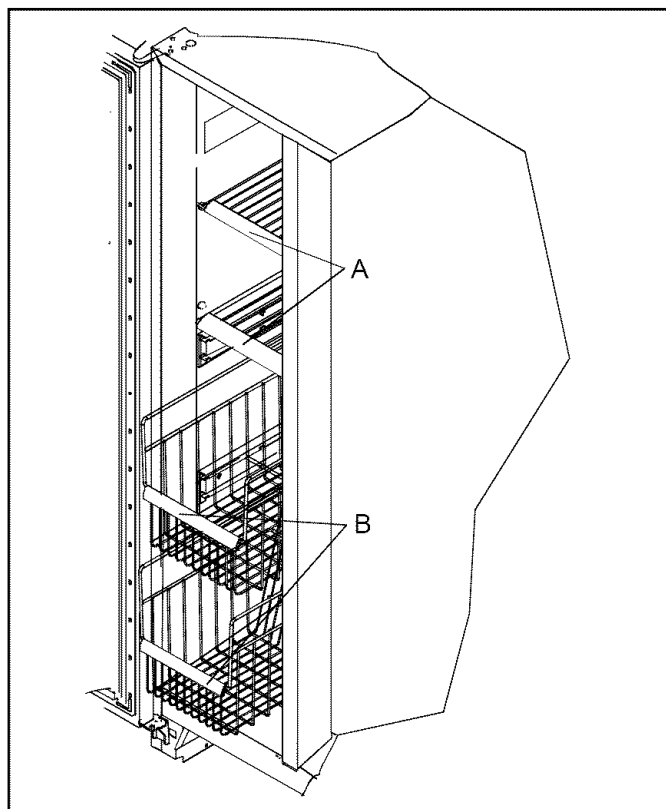
Pour éviter d'endommager l'appareil à glaçons, observer les consignes suivantes :

- Ne pas forcer le bras de l'appareil à glaçons vers le haut ou vers le bas.
- Ne jamais ranger quoi que ce soit dans le seau à glace.

### Paniers de rangement de nourriture

Les paniers métalliques glissent facilement pour faciliter l'accès aux articles rangés à l'arrière. Les paniers métalliques et les clayettes métalliques (certains modèles) peuvent être réorganisés pour satisfaire aux besoins individuels de rangement.

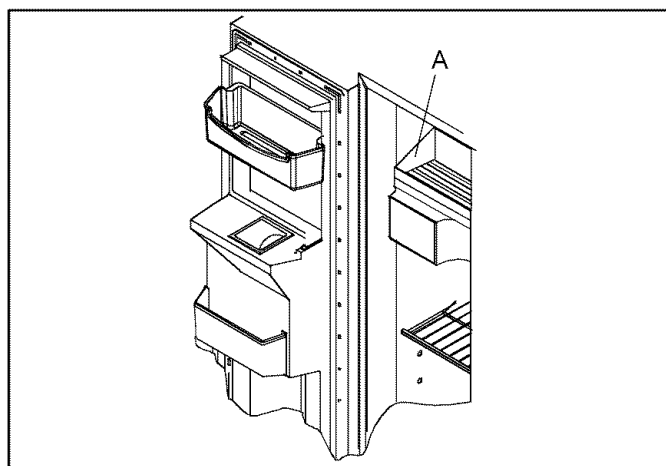
- Retirer les clayettes et les paniers en soulevant l'avant de la clayette et en tirant.
- Remettre les clayettes et les paniers en place en les déposant sur les crémaillères métalliques. Faire glisser les clayettes et les paniers en place jusqu'à ce que le bouton rond soit derrière la butée sur la crémaillère.
- Retirer la clayette en soulevant le côté droit de celle-ci hors des attaches et en la tirant du côté gauche des trous de montage. Procéder à l'inverse pour remettre la clayette en place.



A— Clayettes métalliques B— Panier(s) métallique(s)

### Tablette pour jus/amuse-gueule

La tablette pour jus/amuse-gueule procure un espace de rangement pratique pour les jus congelés et les amuse-gueule. La tablette pour jus/amuse-gueule peut être retirée pour en faciliter le nettoyage.



A— Tablette pour jus/amuse-gueule

### Distributeur Ice and Water (certains modèles)



## PRECAUCIÓN

Pour éviter tous dommages matériels ou blessures, procéder comme suit :

- Ne pas faire fonctionner le distributeur avec la porte du compartiment congélateur ouverte.
- Ne pas mettre les doigts, les mains ou un objet quelconque dans l'ouverture du distributeur.
- Ne pas utiliser d'objets pointus pour casser la glace.

#### Fonctionnement du distributeur d'eau

Allouer approximativement 1 minute après le raccordement du réfrigérateur à l'alimentation en eau avant que le distributeur d'eau se mette en marche. Jeter les 10 à 14 premiers récipients d'eau tirés après le raccordement du réfrigérateur à l'alimentation en eau ou lorsque le distributeur n'a pas fonctionné pendant un certain temps.

- Pour prendre de l'eau, pousser avec un récipient résistant à large ouverture sur le mécanisme.
- Pour fermer l'eau, cesser de pousser sur le mécanisme. Il se peut que l'eau continue de couler un peu. Le trop-plein n'a pas d'évacuation et si une quantité excessive d'eau s'y trouve renversée, il faut l'éponger et essuyer le trop-plein.

#### Fonctionnement du distributeur de glaçons



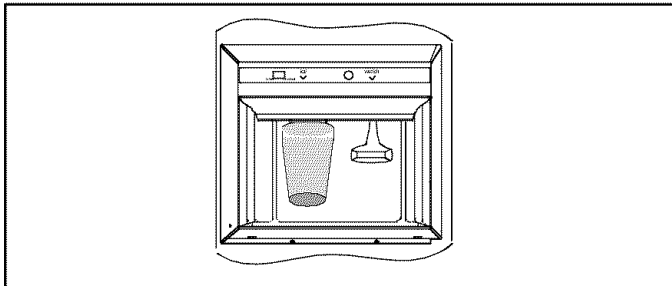
### PRECAUCIÓN

Pour éviter toutes blessures ou tous dommages matériels, ne pas mettre de glace directement dans des articles en verre fin, porcelaine ou cristal délicat.

- Sélectionner le mode glaçons ou glace pilée à l'aide du levier du distributeur. Pour prendre des glaçons, pousser avec un récipient à large ouverture sur le mécanisme.

#### Important :

Tenir le récipient directement sous l'ouverture de l'appareil et aussi haut que possible pour éviter que les morceaux de glaçons n'éclaboussent.



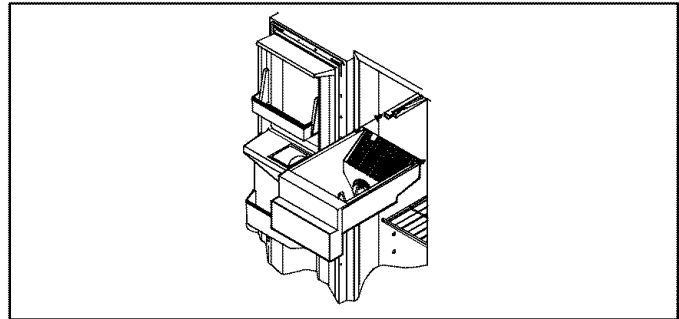
Pour obtenir une grande quantité de glaçons, retirer ceux-ci directement du bac à glaçons. Si de la glace est produite de façon continue, le moteur du distributeur s'arrête au bout de trois à cinq minutes. Il se remet en état de marche au bout de trois minutes et la production de glace peut recommencer.

Lorsqu'on passe du mode glaçons au mode glace pilée, l'appareil ne fonctionne pas immédiatement dans ce nouveau mode et les morceaux de glace pilée sont de tailles et formes différentes. De la « neige » peut se former sur la porte et sur l'ouverture du distributeur lors de la production répétée de glace pilée. Laisser cette « neige » s'évaporer ou l'essuyer.

**Remarque :** Le distributeur fonctionne uniquement avec des glaçons de la taille et de la forme (en croissant) appropriée. Ne pas ajouter de glaçons du commerce ou autres.

#### Retrait du bac à glace

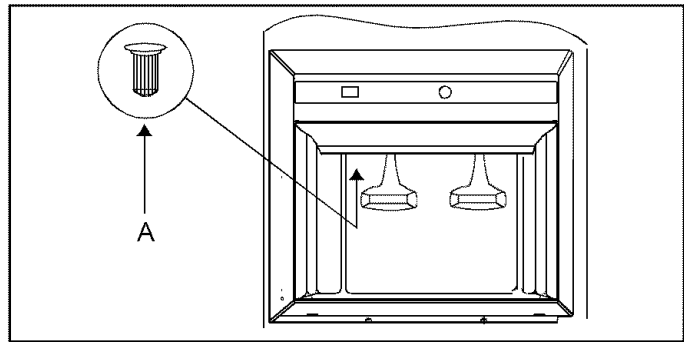
- Pour retirer le bac à glace, le soulever et tirer vers l'avant.
- Pour remettre le bac à glace en place, le faire glisser jusqu'à ce qu'il s'enclenche en place afin que le distributeur de glace fonctionne correctement. Si la porte du compartiment congélateur ne ferme pas, le bac n'est pas au bon endroit.



#### Éclairage du distributeur (certains modèles)

Lorsqu'on prend de l'eau ou de la glace, une lumière s'allume au niveau du distributeur. Certains modèles comportent une lumière de nuit.

- Pour désactiver la lumière de nuit, appuyer sur l'interrupteur situé sous le distributeur et à gauche du mécanisme.



A— Interrupteur de la lumière de nuit

#### Goût et odeur de l'eau

Procéder comme suit pour réduire au minimum les problèmes de goût et d'odeur :

- Jeter les 3 premiers lots de glace après avoir raccordé le réfrigérateur à l'alimentation en eau et après de longues périodes d'inutilisation. Cela empêchera la consommation de toutes impuretés qui demeurent dans le tuyau ou de glace ayant mauvais goût.
- Placer la nourriture dans des récipients ou des sacs étanches et hermétiquement fermés.
- Installer un filtre à eau sur le tuyau d'alimentation en eau.
- Contacter une société de traitement des eaux locales pour vous assurer l'assistance de spécialistes si vos difficultés persistent.
- Jeter la glace si elle n'est pas consommée pendant une longue période.

## Entretien et nettoyage



### MISE EN GARDE

Pour éviter tout risque d'électrocution qui pourrait causer des blessures graves, voire mortelles, débrancher le courant du réfrigérateur avant de procéder au nettoyage. Après le nettoyage, brancher de nouveau le courant.



### PRECAUCIÓN

Pour éviter tous dégâts matériels ou toutes blessures corporelles, lire et suivre toutes les directives du fabricant des produits de nettoyage de l'appareil.



### PRECAUCIÓN

Pour éviter tous dégâts matériels, recouvrir les tuiles de vinyle ou autre type de plancher avec du carton, des tapis ou autre matériel de protection avant de déplacer le réfrigérateur.

4. Tirer le réfrigérateur loin du mur. Passer l'aspirateur sur la grille de sortie d'aération du condensateur à l'arrière du réfrigérateur.

### Tablettes en verre



### PRECAUCIÓN

Pour éviter tous dégâts matériels ou toutes blessures corporelles, manipuler les clayettes en verre trempé avec soin. Celles-ci peuvent casser soudainement si elles sont entaillées, égratignées ou exposées à un changement soudain de température.

Enlever la clayette en soulevant le devant, en relâchant les crochets de la crémaillère en métal, puis en tirant. Placer la clayette sur une serviette. La laisser s'adapter à la température ambiante avant de procéder au nettoyage.

Nettoyer les fentes en suivant ces étapes :

1. Diluer un détergent doux et appliquer la solution à l'intérieur des fentes en brossant celles-ci à l'aide d'une brosse à poils en plastique. Laisser pénétrer durant 5 minutes.
2. Vaporiser de l'eau tiède à l'intérieur des fentes à l'aide d'un vaporisateur conçu à cet effet.
3. Bien essuyer la clayette et replacer celle-ci en insérant les crochets dans la crémaillère en métal et en rabaisant le devant.

### Suppression des odeurs

1. Enlever toute la nourriture et débrancher le courant du réfrigérateur.
2. Nettoyer toutes les surfaces intérieures, notamment la partie supérieure, la partie inférieure et les parois conformément aux instructions générales. Porter une attention spéciale aux coins, fissures et rainures, de même qu'aux tiroirs, clayettes et joints.
3. Brancher le courant du réfrigérateur et y replacer la nourriture. Nettoyer et essuyer toutes les bouteilles, tous les contenants et les pots. Emballer la nourriture dans des contenants scellés hermétiquement afin de prévenir l'émanation d'odeurs. Après 24 heures, vérifier si l'odeur persiste.

Si l'odeur persiste, procéder de la façon suivante:

4. Placer les légumes croquants du jardin sur la clayette supérieure du compartiment réfrigérateur. Recouvrir les compartiments réfrigérateur et congélateur, y compris les portes, avec des feuilles de papier journal noir et blanc chiffonnées.
5. Disposer des briquettes de charbon de bois un peu partout sur le papier journal.
6. Fermer les portes et laisser en place durant 24 à 48 heures.

### Général

1. Nettoyer les surfaces intérieures et extérieures avec 4 c. à table de bicarbonate de soude dissout dans un litre d'eau tiède et un linge doux et propre.
2. Rincer les surfaces à l'eau tiède et les essuyer avec un linge doux et propre.
  - Ne pas utiliser les articles suivants :
    - produits nettoyants abrasifs ou décapants, ammoniac, javellisant, etc.
    - détergents ou solvants concentrés
    - tampons à récurer métalliquesCes articles peuvent égratigner, craqueler ou décolorer les surfaces.
  - Ne pas placer les bacs, clayettes, etc. dans le lave-vaisselle.

### Adhésifs

1. Enlever les résidus de colle en frottant l'adhésif avec du dentifrice jusqu'à ce que celui-ci se décolle.
2. Rincer la surface à l'eau tiède. L'essuyer avec un linge doux et propre.

### Joints de porte

1. Nettoyer les joints de porte tous les 3 mois conformément aux instructions générales reprise cidessus.
2. Appliquer une mince couche de gelée de pétrole afin de maintenir la souplesse des joints.

### Bobines de condensateur

Nettoyer la bobine de condensateur tous les 3 mois afin d'assurer un rendement maximum du réfrigérateur. La poussière accumulée et les peluches peuvent entraîner les problèmes suivants :

- refroidissement moins efficace
  - consommation d'énergie plus élevée
  - défaillance prématurée du compresseur
1. Enlever la grille en tenant les extrémités et en tirant vers l'avant.
  2. Nettoyer la surface avant de la bobine du condensateur avec le suceur d'un boyau d'aspirateur.
  3. Replacer la grille en insérant les attaches dans les trous et en les mettant en place avec un claquement.

7. Enlever les briquettes de charbon de bois et les journaux.

8. Recommencer les étapes 2 et 3.

Contactez le service à la clientèle de Sears si l'odeur persiste. Voir la section « Dépannage » pour connaître le numéro de téléphone.

## Remplacement de l'ampoule électrique



### MISE EN GARDE

Pour éviter tout risque d'électrocution pouvant causer des blessures graves, voire mortelles, débrancher le courant du réfrigérateur avant de remplacer l'ampoule. Après avoir remplacé l'ampoule, brancher de nouveau le courant.



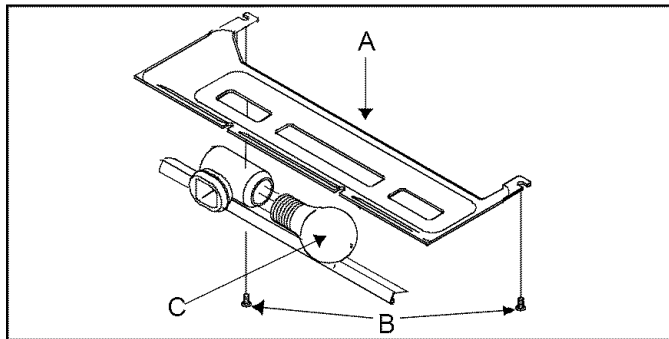
### PRECAUCIÓN

Pour éviter toutes blessures corporelles ou tous dégâts matériels, veuillez observer les consignes suivantes :

- Laisser l'ampoule refroidir.
- Porter des gants durant le remplacement de l'ampoule électrique.

#### Partie supérieure du compartiment réfrigérateur

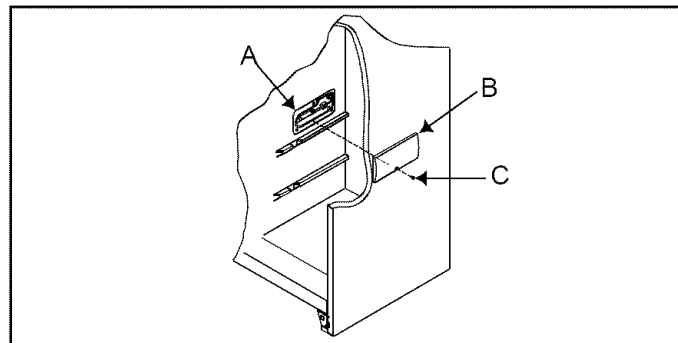
- Retirer le couvre-ampoule en enlevant les écrous hexagonaux de ¼ po. Remplacer l'ampoule par une autre de 40 watts conçue pour les appareils électroménagers.
- Remettre le couvre-ampoule en place en revissant les écrous hexagonaux de ¼ po.



A— Couvre-ampoule      C— Écrous hexagonaux de ¼ po  
B— Ampoule électrique

#### Partie inférieure du compartiment réfrigérateur (certains modèles)

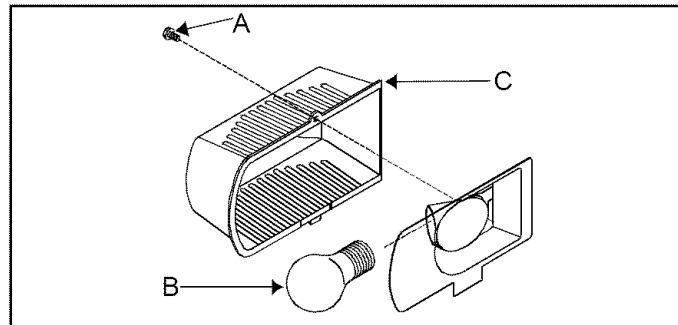
- Retirer le couvre-ampoule en enlevant la vis. Remplacer l'ampoule par une autre de type tubulaire de 40 watts.
- Remettre le couvre-ampoule en l'installant par-dessus l'ampoule. Insérer une vis et la serrer.



A— Ampoule électrique    B—Couvre-ampoule    C—Vis

#### Compartiment congélateur

1. Enlever le bac à glace. Pour cela, le soulever et le tirer vers l'avant.
2. Retirer le couvre-ampoule en enlevant l'écrou hexagonal de ¼ po. Remplacer l'ampoule par une autre de 40 watts.
3. Remettre le couvre-ampoule en le tenant en place au-dessus de l'ampoule. Insérer une vis et la serrer.
4. Pour replacer le bac à glace, le faire glisser à l'intérieur jusqu'à ce qu'il soit bien en place.

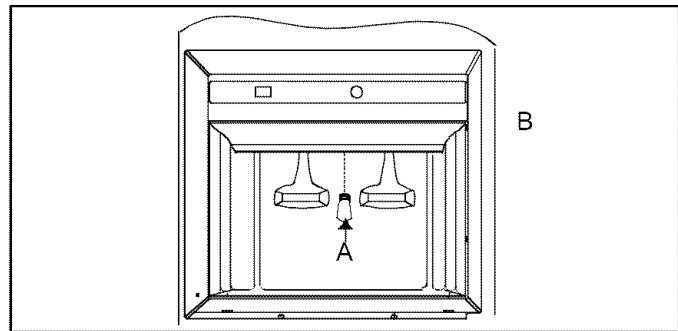


A— Vis    B—Ampoule électrique    C—Couvre-ampoule

#### Distributeur glace et eau (certains modèles)

L'ampoule se trouve entre les bras du distributeur.

- La dévisser et remplacer par une ampoule de 6 W et 120 V.
- Pour remplacer l'ampoule, insérer et serrer la nouvelle ampoule.



A— Ampoule électrique    B— Distributeur glace et eau

## Conseils pour des économies d'énergie

Ce réfrigérateur est conçu pour être l'un des plus économes en énergie parmi les modèles disponibles. Afin de réduire encore la consommation d'électricité, observer les consignes suivantes :

- Faire fonctionner le réfrigérateur à température normale, de 55 à 110 °F (13 à 43 °C), loin de toute source de chaleur ou de la lumière directe du soleil.
- Régler le thermostat des compartiments congélateur et réfrigérateur et du bac à viande à température contrôlée sur un réglage qui ne soit pas à une température plus froide que nécessaire.
- Garder le compartiment congélateur plein.
- Garder les joints des portes propres et souples. Les remplacer s'ils sont usés.
- Garder les serpentins du condenseur propre.

## Conseils pour les vacances

Pour les vacances de courte durée, procéder comme suit :

1. Enlever les denrées périssables.
2. Si le congélateur est équipé d'un appareil à glaçons, placer le bras-levier en position *Off* (arrêt). (Voir la partie « Appareil à glaçons ».)

Pour les vacances de longue durée, procéder comme suit :

1. Enlever les aliments des compartiments congélateur et réfrigérateur.
2. Débrancher l'appareil.
3. Nettoyer le réfrigérateur et les joints d'étanchéité de la porte en suivant les consignes de la rubrique *Nettoyage* de la section *Entretien et nettoyage*.
4. Ouvrir et bloquer les portes de façon à ce que l'air circule à l'intérieur des compartiments.
5. Si le congélateur est équipé d'un appareil à glaçons, couper l'alimentation en eau à l'appareil et mettre le bras-levier en position *Off* (arrêt).

## Bruits de fonctionnement normaux

Ce nouveau réfrigérateur remplace probablement un réfrigérateur conçu de façon différente, plus petit ou moins efficace. Les réfrigérateurs modernes possèdent de nouvelles caractéristiques et utilisent l'énergie de façon plus efficace. Par conséquent, certains bruits ne seront pas familiers mais le deviendront bientôt car ils sont normaux. Ces bruits indiquent également que le réfrigérateur fonctionne bien et offre le rendement attendu.

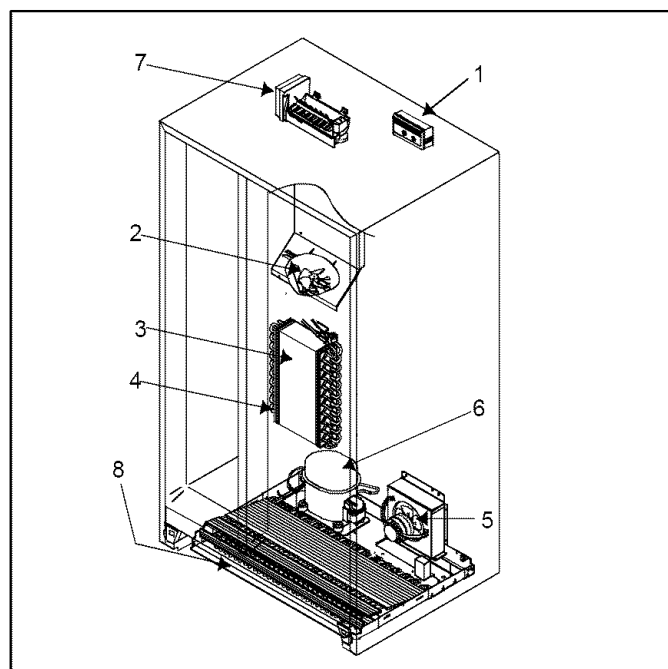
1. **La commande congélateur** émet un déclic lorsque le compresseur se met en marche ou s'arrête.
2. **Le ventilateur du congélateur** ronronne ou propulse l'air.
3. Le flux de réfrigérant du **système hermétique** (évaporateur et échangeur de chaleur) gargouille, éclate ou émet le son de l'eau qui bout.
4. **La chaufferette du dégivreur** grésille, siffle ou émet un bruit sec. La chaufferette du dégivreur se trouve enroulée autour du côté gauche et inférieur de l'évaporateur.
5. **Le ventilateur du condensateur** ronronne ou propulse l'air.
6. **Le compresseur** émet un son aigu ou un vrombissement qui démarre et puis s'arrête.

7. **Les glaçons** fabriqués par l'appareil à glaçons (sur certains modèles) tombent dans le seau à glace.

**Le broyeur à glaçons** (sur les modèles comprenant un distributeur de glace et d'eau) émet un vrombissement lorsqu'il agite la glace pendant la distribution. Il est situé derrière le seau à glace dans la porte du compartiment congélateur (non illustré).

**Le raccord de la soupape d'eau de l'appareil à glaçons** (sur certains modèles) bourdonne lorsque l'appareil à glaçons se remplit d'eau. Cela se produit, que le réfrigérateur soit branché ou non à l'alimentation en eau. S'il n'est pas branché, le bruit s'arrêtera lorsque le bras de l'appareil à glaçons sera soulevé en position arrêt. Le raccord de la soupape d'eau est situé à l'arrière, dans le coin inférieur gauche (non illustré).

L'isolant mousse permet d'économiser une grande quantité d'énergie et possède d'excellentes qualités isolantes. Cependant, il n'est pas aussi capable d'amortir le bruit que l'isolant en fibre de verre utilisé auparavant (non illustré).



# Guide de dépannage du réfrigérateur

Problème	Solution
Le réfrigérateur ne fonctionne pas.	<ul style="list-style-type: none"> <li>Vérifier que le thermostat du compartiment congélateur est sur un réglage de marche. Vérifier que le réfrigérateur est branché. S'il ne l'est pas, brancher fermement le cordon dans une prise sous tension de la tension qui convient.</li> <li>Vérifier le fusible ou le disjoncteur. Brancher un autre appareil dans la prise murale. S'il ne fonctionne pas, remplacer le fusible ou réenclencher le disjoncteur.</li> <li>Si le thermostat est sur un réglage de marche, que la lumière s'allume mais que les deux ventilateurs et le compresseur ne fonctionnent pas, il se peut que le réfrigérateur soit en cycle de dégivrage. Attendre 40 minutes et vérifier si le réfrigérateur s'est remis en marche.</li> </ul>
Le réfrigérateur ne fonctionne toujours pas.	<ul style="list-style-type: none"> <li>Débrancher le réfrigérateur. Transférer son contenu dans un autre réfrigérateur ou mettre de la glace carbonique dans le compartiment congélateur pour protéger la nourriture. Appeler le service de dépannage.</li> </ul>
Les denrées ne semblent pas assez froides.	<ul style="list-style-type: none"> <li>Voir les points ci-dessus.</li> <li>Laisser à l'appareil suffisamment de temps pour que les aliments non froids récemment ajoutés puissent atteindre la température voulue dans les compartiments réfrigérateur ou congélateur. L'ajout de nourriture augmente la température dans le réfrigérateur et celui-ci peut prendre quelques heures avant de revenir à sa température de fonctionnement normale.</li> <li>Vérifier que les joints assurent la fermeture hermétique des portes.</li> <li>Nettoyer le serpentín du condenseur. Voir sous "Serpentins du condenseur" dans la partie "Entretien".</li> <li>Ajuster le thermostat des compartiments réfrigérateur et congélateur. Voir sous "Réglage des thermostats" dans la partie "Commandes".</li> <li>La lumière du compartiment réfrigérateur ou congélateur reste allumée. Le cas échéant, retirer l'ampoule et appeler le service après-vente.</li> <li>Les orifices de ventilation sont bloqués, ce qui réduit la circulation d'air. Les localiser en passant la main pour sentir d'où l'air vient et déplacer les paquets qui bloquent les orifices de ventilation et ainsi la circulation d'air.</li> </ul>
Le bac à viande à température contrôlée est à une température insuffisamment froide.	<ul style="list-style-type: none"> <li>Mettre le thermostat sur un réglage plus froid.</li> <li>Mettre le thermostat du compartiment congélateur sur un réglage plus froid. Voir sous "Réglage des thermostats" dans la partie "Commandes".</li> </ul>
Les denrées sont trop froides.	<ul style="list-style-type: none"> <li>Nettoyer le serpentín du condenseur. Voir sous "Serpentins du condenseur" dans la partie "Entretien".</li> <li>Ajuster le thermostat du compartiment réfrigérateur. Voir sous "Réglage des thermostats" dans la partie "Commandes".</li> <li>Mettre le thermostat du compartiment congélateur sur un réglage moins froid. Voir sous "Réglage des thermostats" dans la partie "Commandes". Attendre plusieurs heures que la température se stabilise.</li> </ul>
Le réfrigérateur se met en marche trop fréquemment.	<ul style="list-style-type: none"> <li>Cela peut être nécessaire pour maintenir la température au niveau désiré.</li> <li>Les portes ont pu être ouvertes trop souvent ou trop longtemps. Lorsque la porte est ouverte, l'air chaud et humide pénètre dans le réfrigérateur. Plus la porte est ouverte, plus le réfrigérateur a d'air chaud à refroidir.</li> <li>Laisser à l'appareil suffisamment de temps pour que des aliments non froids récemment ajoutés puissent atteindre la température voulue dans les compartiments réfrigérateur ou congélateur. Il peut falloir plusieurs heures avant que le réfrigérateur ne retourne à sa température normale.</li> <li>Nettoyer le serpentín du condenseur. Voir sous "Serpentins du condenseur" dans la partie "Entretien".</li> <li>Ajuster le thermostat du compartiment congélateur. Voir sous "Réglage des thermostats" dans la partie "Commandes".</li> <li>Vérifier que les joints assurent la fermeture hermétique des portes.</li> <li>La lumière du compartiment congélateur reste allumée.</li> <li>Le cas échéant, retirer l'ampoule et appeler le service après-vente.</li> </ul>
Des gouttes d'eau se forment à l'intérieur du réfrigérateur.	<ul style="list-style-type: none"> <li>Ceci est normal pendant les périodes de forte humidité ou si les portes sont fréquemment ouvertes.</li> <li>Bien enrober les aliments et essuyer les récipients humides avant de les placer dans le réfrigérateur afin d'éviter toute accumulation d'humidité.</li> </ul>
Des gouttes d'eau se forment à l'extérieur du réfrigérateur.	<ul style="list-style-type: none"> <li>Vérifier que les joints des portes ferment hermétiquement.</li> <li>Ceci est normal pendant les périodes de forte humidité ou si les portes sont fréquemment ouvertes.</li> </ul>
Le réfrigérateur ne fonctionne pas.	<ul style="list-style-type: none"> <li>Vérifier que le thermostat du compartiment congélateur est sur un réglage de marche.</li> <li>Vérifier que le réfrigérateur est branché. S'il ne l'est pas, brancher fermement le cordon dans une prise sous tension de la tension qui convient.</li> <li>Vérifier le fusible ou le disjoncteur. Brancher un autre appareil dans la prise murale. S'il ne fonctionne pas, remplacer le fusible ou réenclencher le disjoncteur.</li> <li>Si le thermostat est sur un réglage de marche, que la lumière s'allume mais que les deux ventilateurs et le compresseur ne fonctionnent pas, il se peut que le réfrigérateur soit en cycle de dégivrage. Attendre 40 minutes et vérifier si le réfrigérateur s'est remis en marche.</li> </ul>
Le réfrigérateur ne fonctionne toujours pas.	<ul style="list-style-type: none"> <li>Débrancher le réfrigérateur. Transférer son contenu dans un autre réfrigérateur ou mettre de la glace carbonique dans le compartiment congélateur pour protéger la nourriture. Appeler le service de dépannage.</li> </ul>

## Guide de dépannage du réfrigérateur

Problème	Solution
Les denrées ne semblent pas assez froides.	<ul style="list-style-type: none"><li>• Voir les points ci-dessus.</li><li>• Laisser à l'appareil suffisamment de temps pour que les aliments non froids récemment ajoutés puissent atteindre la température voulue dans les compartiments réfrigérateur ou congélateur. L'ajout de nourriture augmente la température dans le réfrigérateur et celui-ci peut prendre quelques heures avant de revenir à sa température de fonctionnement normale.</li><li>• Vérifier que les joints assurent la fermeture hermétique des portes.</li><li>• Nettoyer le serpentin du condenseur. Voir sous "Serpentins du condenseur" dans la partie "Entretien".</li><li>• Ajuster le thermostat des compartiments réfrigérateur et congélateur. Voir sous "Réglage des thermostats" dans la partie "Commandes".</li><li>• La lumière du compartiment réfrigérateur ou congélateur reste allumée. Le cas échéant, retirer l'ampoule et appeler le service après-vente.</li><li>• Les orifices de ventilation sont bloqués, ce qui réduit la circulation d'air. Les localiser en passant la main pour sentir d'où l'air vient et déplacer les paquets qui bloquent les orifices de ventilation et ainsi la circulation d'air.</li></ul>
Le bac à viande à température contrôlée est à une température insuffisamment froide.	<ul style="list-style-type: none"><li>• Mettre le thermostat sur un réglage plus froid.</li><li>• Mettre le thermostat du compartiment congélateur sur un réglage plus froid. Voir sous "Réglage des thermostats" dans la partie "Commandes".</li></ul>
Les denrées sont trop froides.	<ul style="list-style-type: none"><li>• Nettoyer le serpentin du condenseur. Voir sous "Serpentins du condenseur" dans la partie "Entretien".</li><li>• Ajuster le thermostat du compartiment réfrigérateur. Voir sous "Réglage des thermostats" dans la partie "Commandes".</li><li>• Mettre le thermostat du compartiment congélateur sur un réglage moins froid. Voir sous "Réglage des thermostats" dans la partie "Commandes". Attendre plusieurs heures que la température se stabilise.</li></ul>

For in-home major brand repair service:  
Call 24 hours a day, 7 days a week

**1-800-4-MY-HOME<sup>SM</sup>** (1-800-469-4663)

Para pedir servicio de reparación – 1-800-676-5811  
Au Canada pour tout le service – 1-877-LE FOYER<sup>SM</sup> (1-877-533-6937)

For the repair or replacement parts you need:  
Call 6 a.m. – 11 p.m. CST, 7 days a week

**PartsDirect<sup>SM</sup>**

**1-800-366-PART** (1-800-366-7278)

[www.sears.com/partsdirect](http://www.sears.com/partsdirect)

Para ordenar piezas – 1-800-659-7084

For a Sears Service Center location in your area:  
Call 24 hours a day, 7 days a week

**1-800-488-1222**

For a Sears Maintenance Agreement purchase or inquiry:  
Call 7 a.m.–5 p.m. CST, Monday–Saturday

**1-800-827-6655**

