

# Hair dryer

User's manual

EN



**SENCOR®**

SHD 8270VT

Prior to using this appliance, please read the user's manual thoroughly, even in cases where you have previously familiarised yourself with the operation of similar types of appliances. Only use the appliance in the manner described in this user manual. Keep this user's manual in a safe place where it can be easily retrieved for future use.

We recommend saving the original shipping cardboard box, packaging material, receipt and warranty card for at least the duration of warranty. In the event of transportation, pack the appliance using the original packaging materials only.


EN-1

## TABLE OF CONTENTS

IMPORTANT SAFETY INSTRUCTIONS .....	3
DESCRIPTION OF THE HAIR DRYER .....	6
DESCRIPTION OF THE FUNCTION BUTTONS .....	6
USING THE HAIR DRYER.....	7
CLEANING AND MAINTENANCE.....	7
TECHNICAL SPECIFICATIONS .....	8
INSTRUCTIONS AND INFORMATION REGARDING THE DISPOSAL OF USED PACKAGING MATERIALS .....	8
DISPOSAL OF USED ELECTRICAL AND ELECTRONIC EQUIPMENT .....	8

## **IMPORTANT SAFETY INSTRUCTIONS**

This appliance may be used by children 8 years of age and older and by persons with physical or mental impairments or by inexperienced persons, if they are properly supervised or have been informed about how to use of the product in a safe manner and understand the potential dangers. Children must not play with the appliance. Cleaning and maintenance performed by the user must not be performed by unsupervised children.

 Do not use this appliance near baths, showers, washbasins or other containers containing water.

If you will be using the appliance in the bathroom, unplug it from the socket after use because the presence of water presents a hazard even when the appliance is turned off.

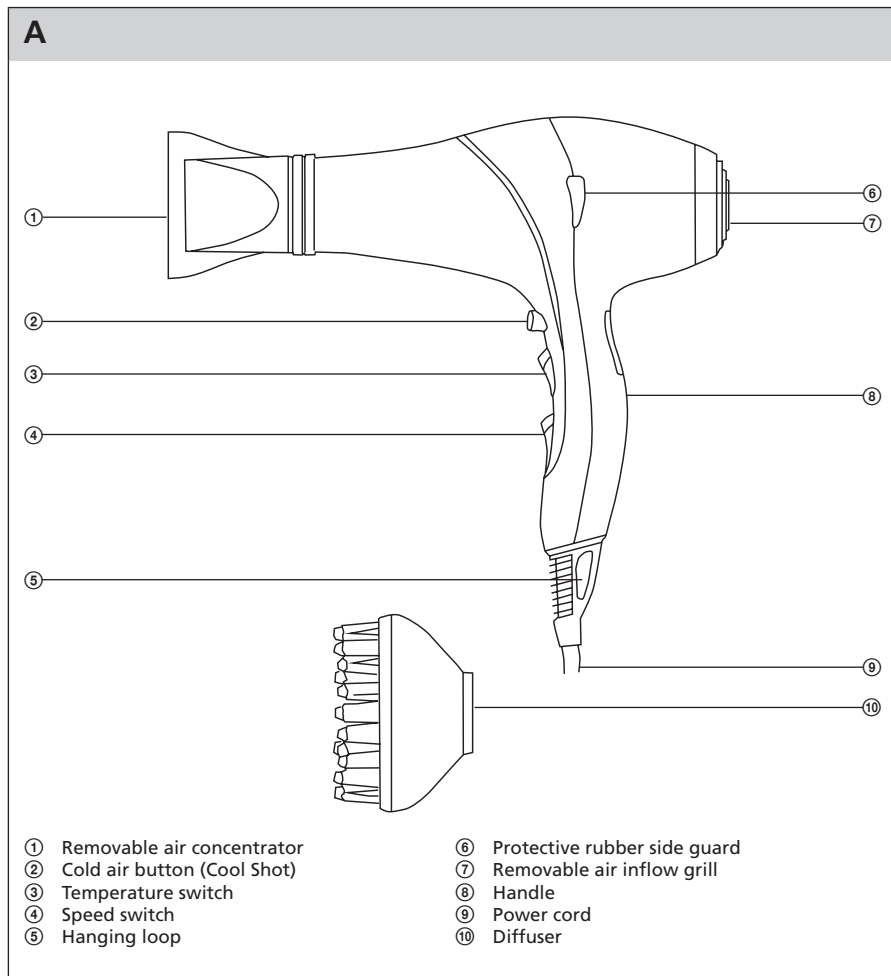
As additional protection we recommend installing a residual current device (RCD) with a nominal trigger current no higher than 30 mA. Ask an electrician for advice.

## IMPORTANT SAFETY INSTRUCTIONS

### READ CAREFULLY AND STORE FOR FUTURE USE.

- Before connecting this appliance to a power socket, make sure the voltage stated on the label of the product corresponds to the voltage in your wall socket.
- Never use accessories, which have not been supplied with this appliance or which have not been explicitly recommended by the manufacturer.
- This appliance is designed for domestic use only. Do not use it in industrial surroundings or outdoors.
- Do not spray the appliance with water or any other liquid. Do not submerge it in water or in any other liquid.
- Ensure that the power plug contacts do not come into contact with water or moisture.
- Do not place the appliance in the vicinity of an open flame or appliances that are sources of heat.
- Do not place the power cord near hot places or over sharp objects. Do not place heavy items on the power cord. Position the power cord so that it will not be stepped on or tripped over.
- Ensure that the inflow and exhaust openings are not blocked while the appliance is running. If any of the openings become blocked, the appliance will shut off automatically. Disconnect it from the power socket and allow it to cool down for several minutes. Remove the obstacle blocking the inflow or outflow of air before turning the appliance on again.
- Disconnect the appliance from the power socket after every use.
- Do not disconnect the appliance from the power socket by pulling on the power cord. This could damage the power cord or the power socket. Disconnect the cord from the power socket by gently pulling the plug of the power cord.
- If the power cord is damaged, have it replaced at a specialised service centre. It is forbidden to use the appliance if it has a damaged power cord or plug.
- To avoid the danger of injury by electrical shock, do not repair the appliance yourself or make any adjustments to it. Have all repairs or adjustments of the appliance performed at an authorised service centre. Tampering with the appliance during the warranty period may void the warranty.

## DESCRIPTION OF THE HAIR DRYER



## DESCRIPTION OF THE FUNCTION BUTTONS

**Temperature switch**

- 3 Hot air
- 2 Warm air
- 1 Cold air

**Speed switch**

- 2 2nd speed level
- 1 1st speed level
- 0 Off

## USING THE HAIR DRYER

- 1) Wash your hair using a shampoo and treat it with a conditioner before using the hair dryer; this will make combing easier. Dry washed hair using a towel and comb it out.
- 2) Insert the power plug into an electrical power socket. On the handle of the hair dryer, first select the temperature (hot, warm or cold air) using the temperature switch A③.
- 3) Then switch the hair dryer from the "Off" to the first or second speed level using the speed switch A④.

### Ionisation function

Due to the permanently activated ionisation function, the hair dryer creates negative ions, which neutralise the static discharge in hair and provide hair with a shine and health.

To fix a hairstyle, hold down the pulse button A② for the entire time that you are forming the hair with cold air.

### Diffuser

- When you use the hair volumiser attachment, you will give your hair volume by lifting the hair roots up off the scalp.
- Position the hair volumiser attachment so that its „fingers“ point towards your head.
- Gently move the attachment forwards and backwards on a small section of the head until your hair starts moving up along the fingers of the hair volumiser attachment. Hold the attachment in this location until your hair dries, then proceed section by section along the head



### Tip:

To make the hairstyle last longer, we recommended the application of special hair products, e.g. hair sprays, mousse or hair gel.

- 4) When you finish using the hair dryer, turn it off by moving switch A④ to position 0 and disconnect it from the power socket.

## CLEANING AND MAINTENANCE

- Before cleaning the hair dryer, always turn it off and disconnect it from the power outlet.
- Remove any hair that is caught in the air inflow or exhaust openings. Turn the grill A⑦ anticlockwise. Take off the grill A⑦ and remove hair from the air inflow opening. Reattach the grill A⑦ and turn it in the direction of the closed lock symbol marked on the hair dryer. Check that the grill A⑦ is properly attached to the hair dryer.
- To clean the outer surface you can use a wiping cloth lightly dipped in a solution of neutral detergent. Wipe dry the surface that you wiped with the damp wiping cloth.
- Never submerge the hair dryer in water or any other liquid. Do not use abrasive cleaning products, alcohol, petrol or similar agents.

## TECHNICAL SPECIFICATIONS

Rated voltage range .....	220–240 V
Rated frequency .....	50/60 Hz
Rated power input .....	2,200 W
Safety class (for electric shock protection) .....	II
Noise level .....	70 dB(A)

The declared noise emission level of the appliance is 70 dB(A), which represents a level A of acoustic power with respect to a reference acoustic power of 1 pW.

### Explanation of technical terminology

Safety class for electric shock protection:

Class II – Electric shock protection is provided by double or heavy-duty insulation.

Changes to text and technical parameters are reserved.

## INSTRUCTIONS AND INFORMATION REGARDING THE DISPOSAL OF USED PACKAGING MATERIALS

Dispose of used packaging material at a site designated for waste in your municipality.

## DISPOSAL OF USED ELECTRICAL AND ELECTRONIC EQUIPMENT



This symbol on products or original documents means that used electric or electronic products must not be added to ordinary municipal waste. For proper disposal, renewal and recycling hand over these appliances to determined collection points. Alternatively, in some European Union states or other European countries you may return your appliances to the local retailer when buying an equivalent new appliance.

Correct disposal of this product helps save valuable natural resources and prevents potential negative effects on the environment and human health, which could result from improper waste disposal. Ask your local authorities or collection facility for more details.

In accordance with national regulations penalties may be imposed for the incorrect disposal of this type of waste.

### For business entities in European Union states

If you want to dispose of electric or electronic appliances, ask your retailer or supplier for the necessary information.

### Disposal in other countries outside the European Union.

This symbol is valid in the European Union. If you wish to dispose of this product, request the necessary information about the correct disposal method from the local council or from your vendor



This appliance meets all the basic requirements of EU directives related to it.